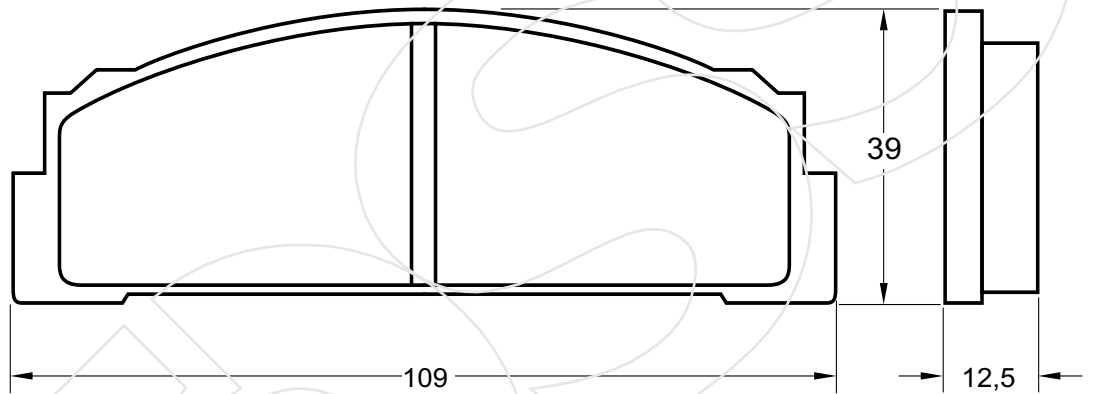
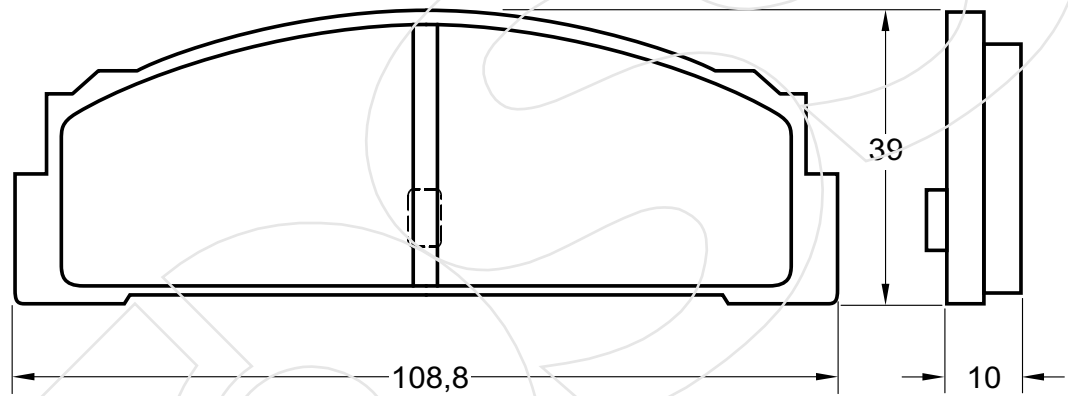


CODICE	IMPIANTO		ASSE	SCALA	APPLICAZIONI
<b>R-001</b>	BENDIX		ANTERIORE	1:1	FIAT TALBOT TOYOTA
CODICE COMPONENTI	N°	L(mm)	SERIE		
*	*	*	4 PEZZI		
*	*	*			
*	*	*			
*	*	*			
CODICE ACCESSORI	N°	L(mm)	NOTE		
*	*	*			
*	*	*			
*	*	*			
*	*	*			



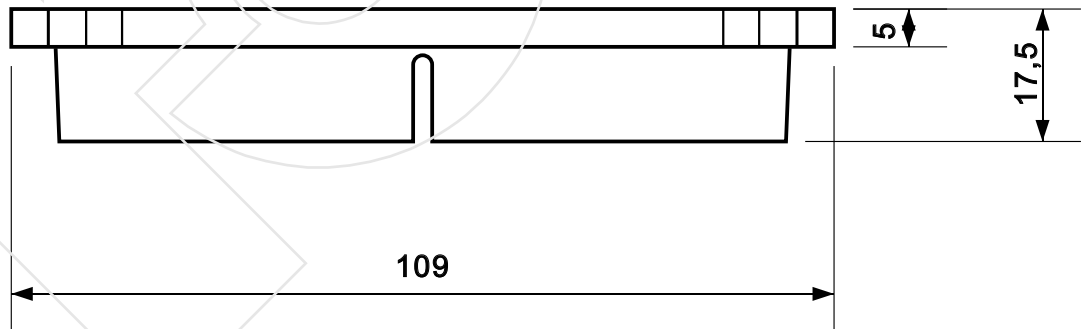
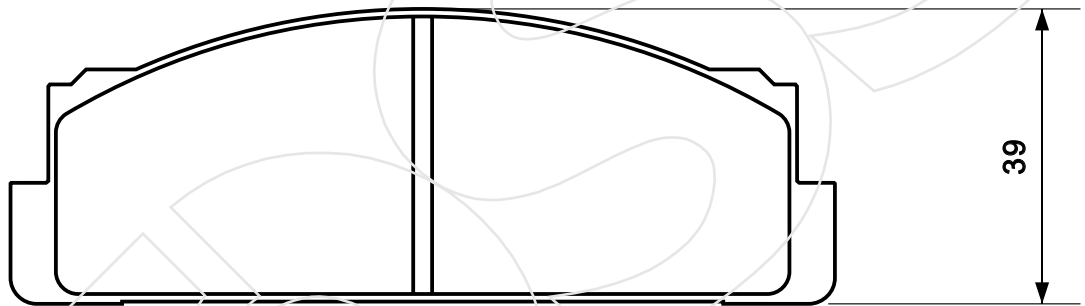
Reference in this Catalogue to other manufactures and to part numbers and other descriptions are for identification purposes only, because the above DISC BRAKE PADS are NOT ORIGINAL but with these interchangeable.

CODICE	IMPIANTO		ASSE	SCALA	APPLICAZIONI
<b>R-003</b>	BENDIX		POSTERIORE	1:1	AUTOBIANCHI FIAT LANCIA SEAT TALBOT
CODICE COMPONENTI	N°	L(mm)	SERIE		
*	*	*	4 PEZZI		
*	*	*			
*	*	*			
*	*	*			
CODICE ACCESSORI	N°	L(mm)	NOTE		
*	*	*			
*	*	*			
*	*	*			



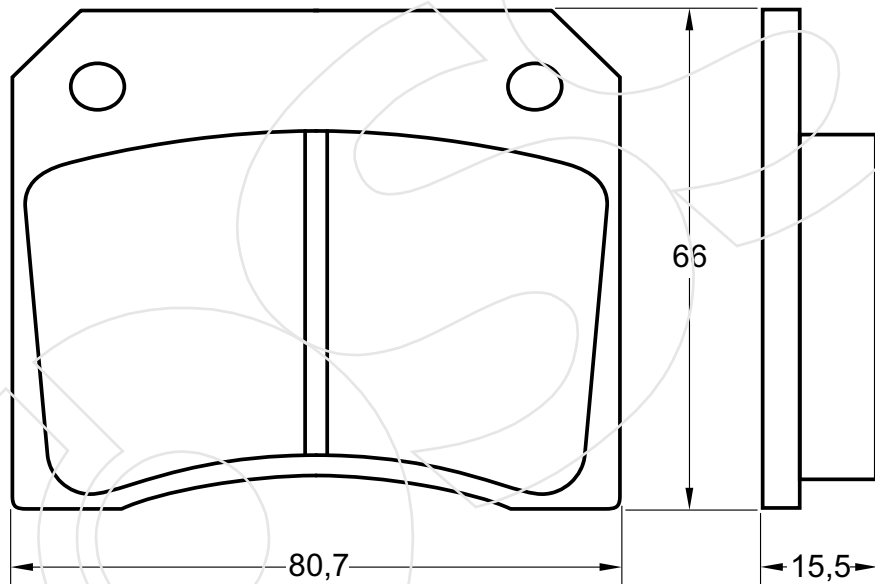
Reference in this Catalogue to other manufactures and to part numbers and other descriptions are for identification purposes only, because the above DISC BRAKE PADS are NOT ORIGINAL but with these interchangeable.

CODICE	IMPIANTO	ASSE	SCALA	APPLICAZIONI
<b>R-004</b>	BENDIX	ANTERIORE	1:1	AUTOBIANCHI FIAT LANCIA SEAT YUGO
CODICE COMPONENTI	N°	L(mm)	SERIE	
*	*	*	4 PEZZI	
*	*			
*	*			
CODICE ACCESSORI	N°	L(mm)	NOTE	
*	*			
*	*			
*	*			
*	*			



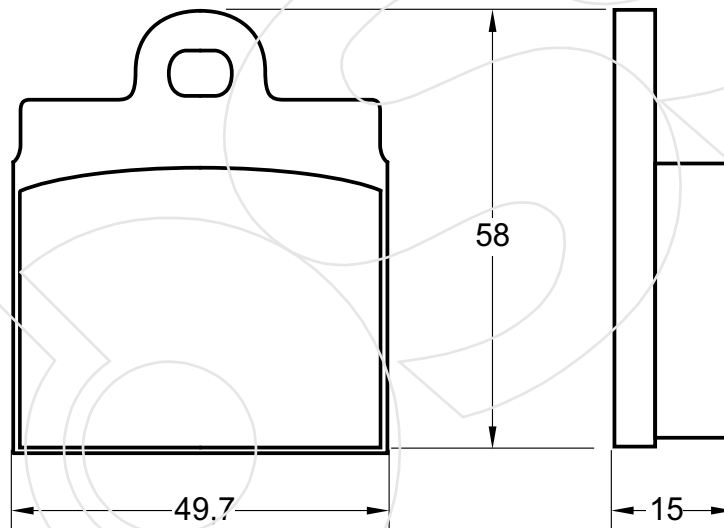
Reference in this Catalogue to other manufactures and to part numbers and other descriptions are for identification purposes only, because the above DISC BRAKE PADS are NOT ORIGINAL but with these interchangeable.

CODICE	IMPIANTO		ASSE	SCALA	APPLICAZIONI
<b>R-005</b>	GIRLING		ANTERIORE/POSTERIORE	1:1	ALFAROMEO FIAT JAGUAR PEUGEOT TALBOT
CODICE COMPONENTI	N°	L(mm)	SERIE		
*	*	**	4 PEZZI		
*	*	*			
*	*	*			
*	*	*			
CODICE ACCESSORI	N°	L(mm)	NOTE		
*	*		*		
*	*		*		
*	*		*		
*	*		*		



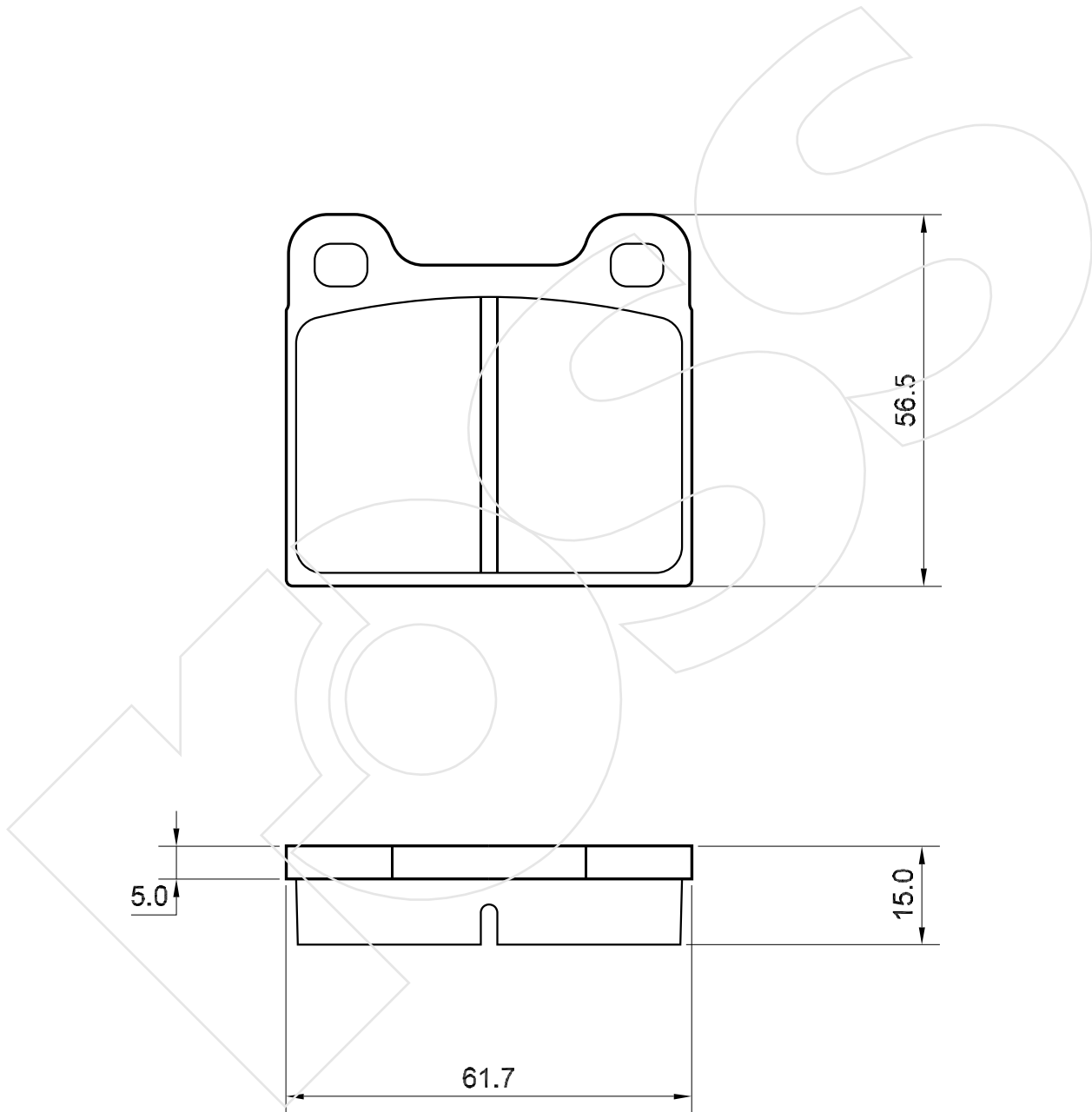
Reference in this Catalogue to other manufactures and to part numbers and other descriptions are for identification purposes only, because the above DISC BRAKE PADS are NOT ORIGINAL but with these interchangeable.

CODICE	IMPIANTO		ASSE	SCALA	APPLICAZIONI
<b>R-008</b>	ATE		ANTERIORE	1:1	VOLKSWAGEN
CODICE COMPONENTI	N°	L(mm)	SERIE		
*	*	**	4 PEZZI		
*	*	*			
*	*	*			
*	*	*			
CODICE ACCESSORI	N°	L(mm)	NOTE		
*	*		*		
*	*		*		
*	*		*		
*	*		*		



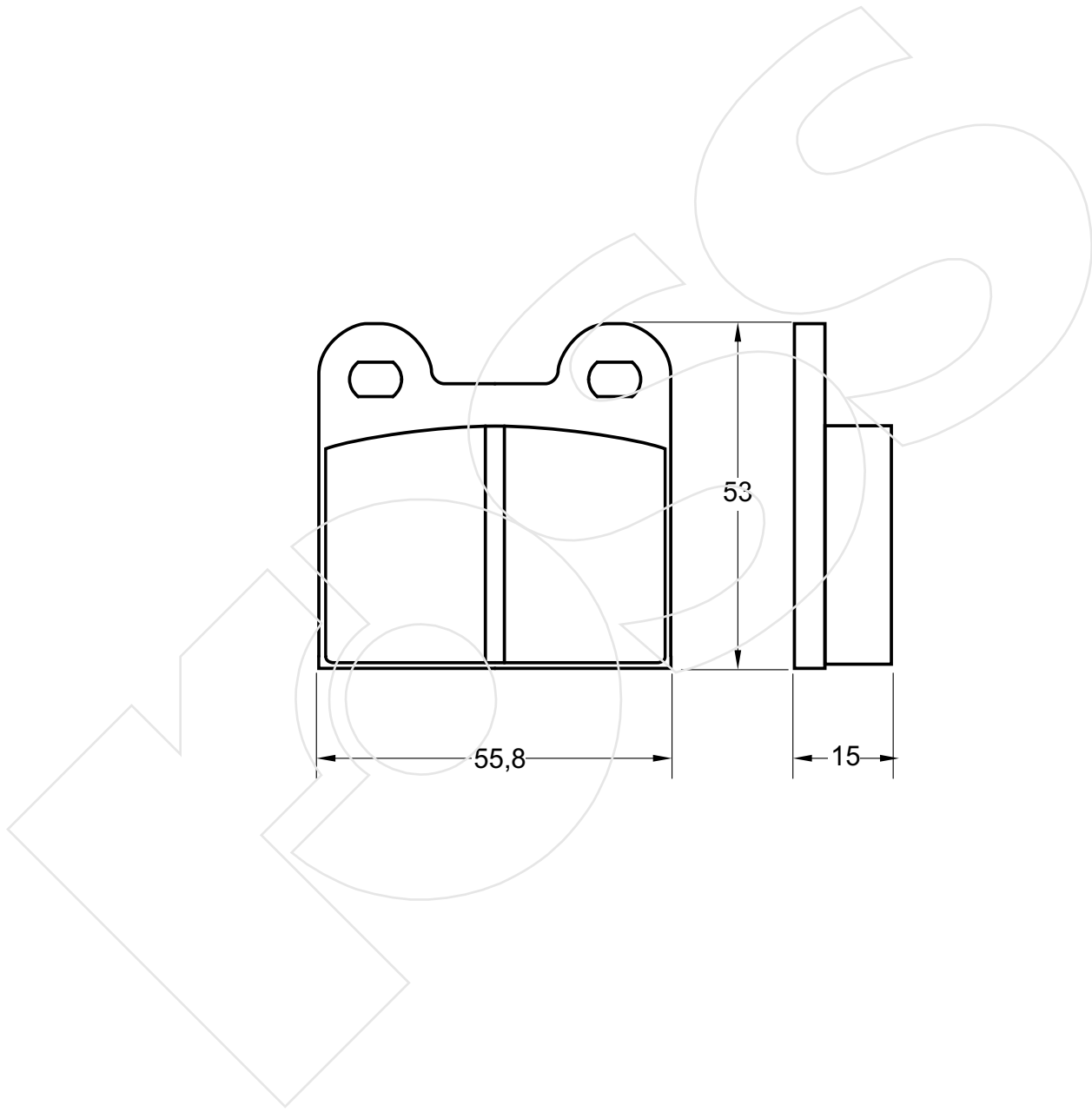
Reference in this Catalogue to other manufactures and to part numbers and other descriptions are for identification purposes only, because the above DISC BRAKE PADS are NOT ORIGINAL but with these interchangeable.

CODICE	IMPIANTO		ASSE	SCALA	APPLICAZIONI
<b>R-009</b>	ATE		ANTERIORE	100%	ALFA ROMEO AUDI B.M.W. FORD SAAB TALBOT VAUXHALL VOLKSWAGEN MERCEDES OPEL VOLVO
CODICE COMPONENTI	N°	L(mm)	SERIE		
*	*	*	4 PEZZI		
*	*	*	*		
*	*	*	*		
*	*	*	*		
CODICE ACCESSORI	N°	L(mm)	NOTE		
*	*	*			
*	*	*			
*	*	*			



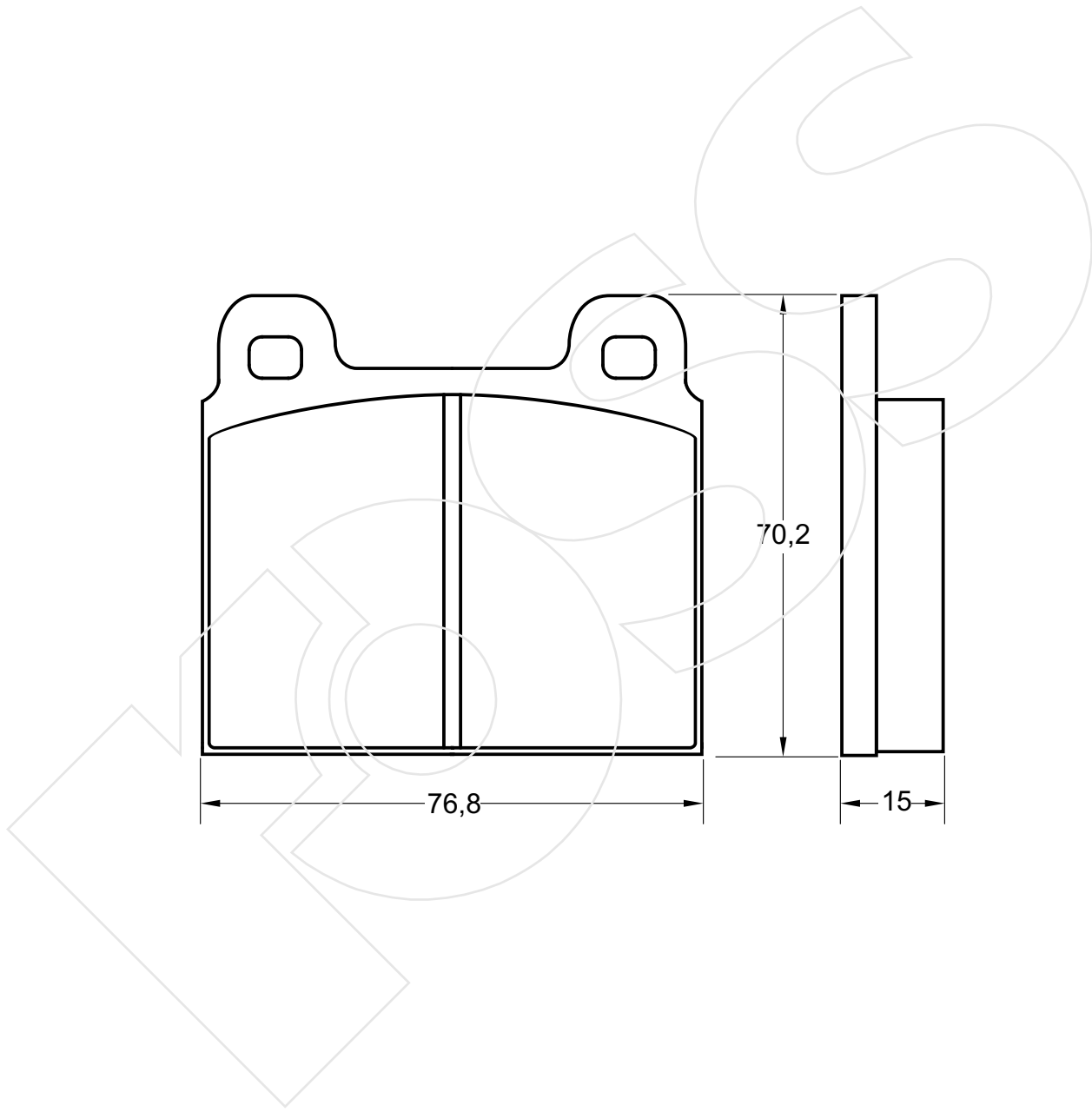
Reference in this Catalogue to other manufactures and to part numbers and other descriptions are for identification purposes only, because the above DISC BRAKE PADS are NOT ORIGINAL but with these interchangeable.

CODICE	IMPIANTO		ASSE	SCALA	APPLICAZIONI
<b>R-010</b>	ATE		ANTERIORE	1:1	ALFAROMEO BMW DAF SAAB TALBOT VOLKSWAGEN VOLVO
CODICE COMPONENTI	N°	L(mm)	SERIE		
*	*	**	4 PEZZI		
*	*	*			
*	*	*			
*	*	*			
*	*	*			
CODICE ACCESSORI	N°	L(mm)	NOTE		
*	*	*			
*	*	*			
*	*	*			
*	*	*			



Reference in this Catalogue to other manufactures and to part numbers and other descriptions are for identification purposes only, because the above DISC BRAKE PADS are NOT ORIGINAL but with these interchangeable.

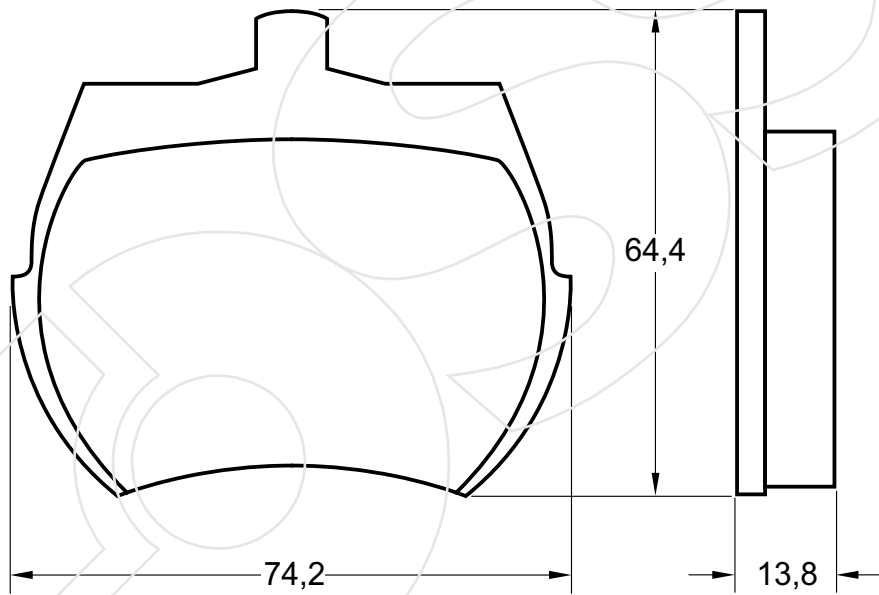
CODICE	IMPIANTO		ASSE	SCALA	APPLICAZIONI
<b>R-011</b>	ATE		ANTERIORE	1:1	ALFAROMEO FORD MERCEDES OPEL VAUXHALL
CODICE COMPONENTI	N°	L(mm)	SERIE		
*	*	**	4 PEZZI		
*	*	*			
*	*	*			
*	*	*			
CODICE ACCESSORI	N°	L(mm)	NOTE		
*	*		*		
*	*		*		
*	*		*		
*	*		*		



Reference in this Catalogue to other manufactures and to part numbers and other descriptions are for identification purposes only, because the above DISC BRAKE PADS are NOT ORIGINAL but with these interchangeable.

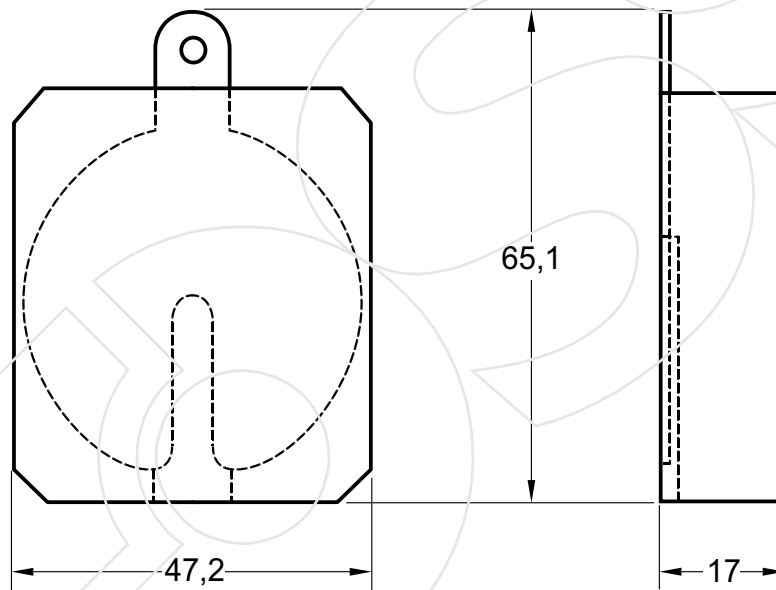


CODICE	IMPIANTO	ASSE	SCALA	APPLICAZIONI
<b>R-012</b>	LOCKEED	ANTERIORE	1:1	AUSTIN INNOCENTI MORRIS MG TRIUMPH VAUXHALL
CODICE COMPONENTI	N°	L(mm)	SERIE	
*	*	**	4 PEZZI	
*	*	*		
*	*	*		
*	*	*		
*	*	*		
CODICE ACCESSORI	N°	L(mm)	NOTE	
*	*		*	
*	*		*	
*	*		*	
*	*		*	



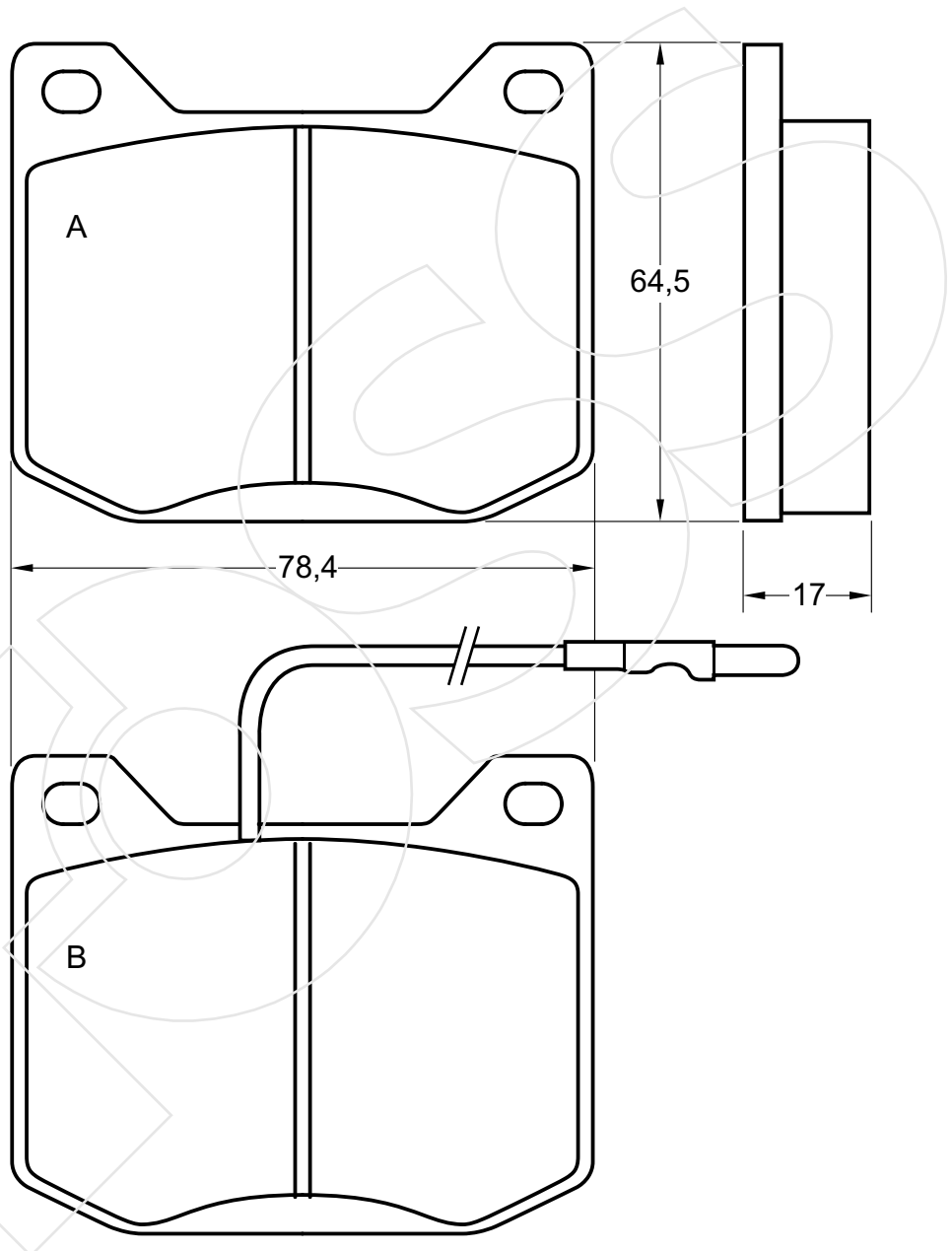
Reference in this Catalogue to other manufactures and to part numbers and other descriptions are for identification purposes only, because the above DISC BRAKE PADS are NOT ORIGINAL but with these interchangeable.

CODICE	IMPIANTO		ASSE	SCALA	APPLICAZIONI
<b>R-013</b>	DUNLOP		ANTERIORE	1:1	HONDA LANCIA ROVER
CODICE COMPONENTI	N°	L(mm)	SERIE		
*	*	**	4 PEZZI		
*	*	*			
*	*	*			
*	*	*			
CODICE ACCESSORI	N°	L(mm)	NOTE		
*	*		*		
*	*		*		
*	*		*		
*	*		*		



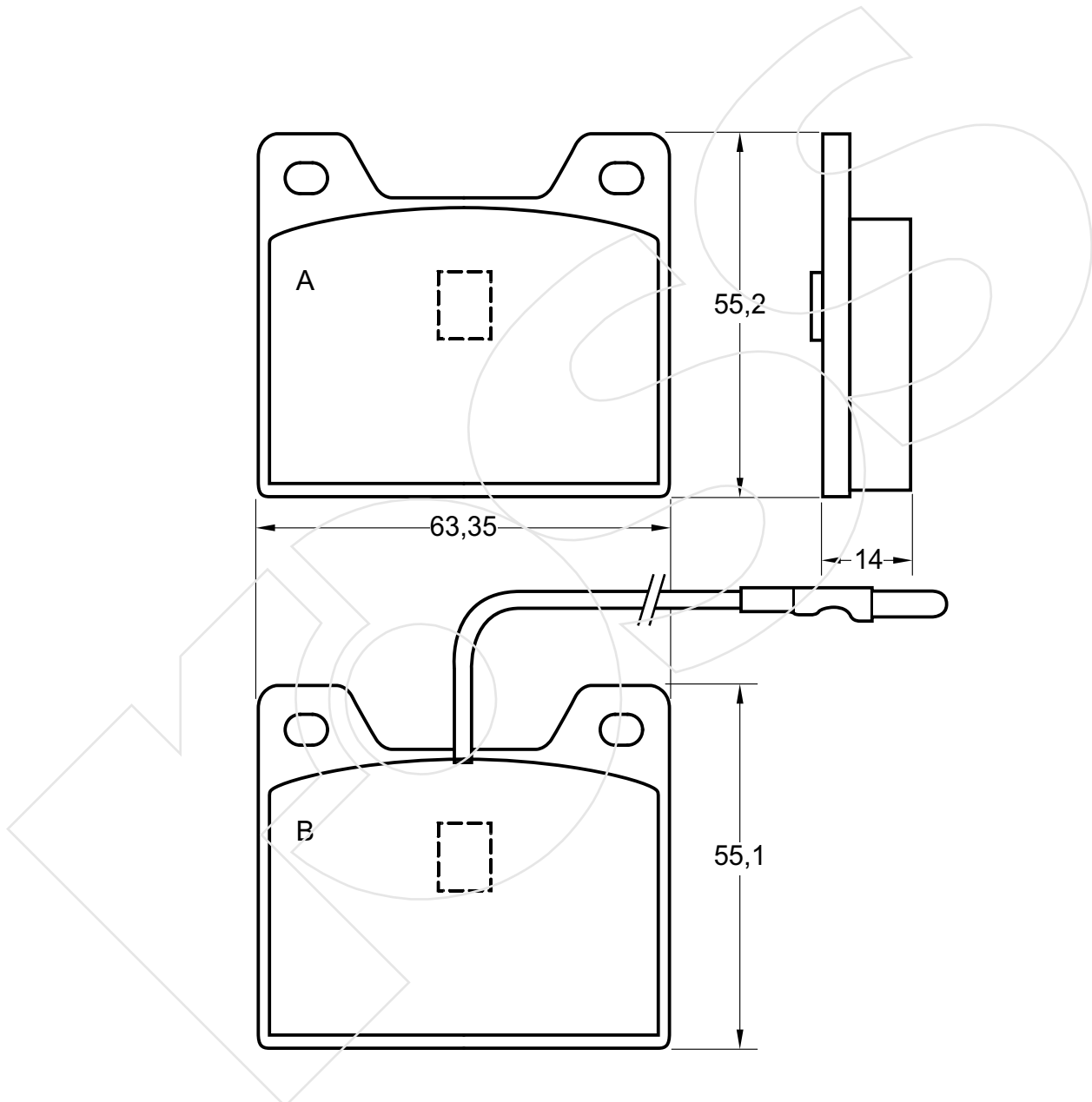
Reference in this Catalogue to other manufactures and to part numbers and other descriptions are for identification purposes only, because the above DISC BRAKE PADS are NOT ORIGINAL but with these interchangeable.

CODICE	IMPIANTO	ASSE	SCALA	APPLICAZIONI
<b>R-014</b>	GIRLING	ANTERIORE	1:1	PEUGEOT
CODICE COMPONENTI	N°	L(mm)	SERIE	
*	*	*	2 PEZZI TIPO A	
F3001	2	110	2 PEZZI TIPO B	
*	*	*		
CODICE ACCESSORI	N°	L(mm)	NOTE	
*	*	*		
*	*	*		
*	*	*		
*	*	*		



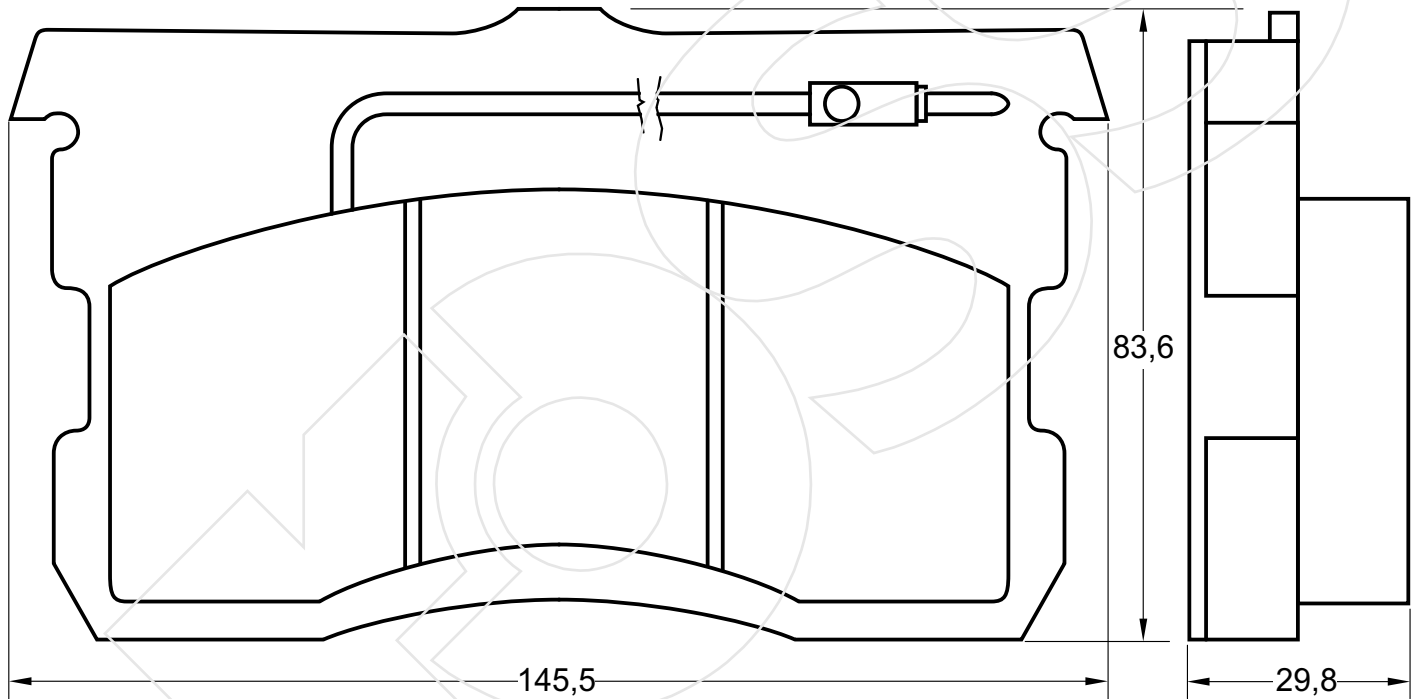
Reference in this Catalogue to other manufactures and to part numbers and other descriptions are for identification purposes only, because the above DISC BRAKE PADS are NOT ORIGINAL but with these interchangeable.

CODICE	IMPIANTO	ASSE	SCALA	APPLICAZIONI
<b>R-015</b>	GIRLING	ANTERIORE	1:1	PEUGEOT
CODICE COMPONENTI	N°	L(mm)	SERIE	
*	*	*	2 PEZZI TIPO A	
F3001	2	110	2 PEZZI TIPO B	
*	*	*		
CODICE ACCESSORI	N°	L(mm)	NOTE	
*	*	*	*	
*	*	*	*	
*	*	*	*	
*	*	*	*	



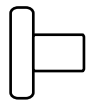
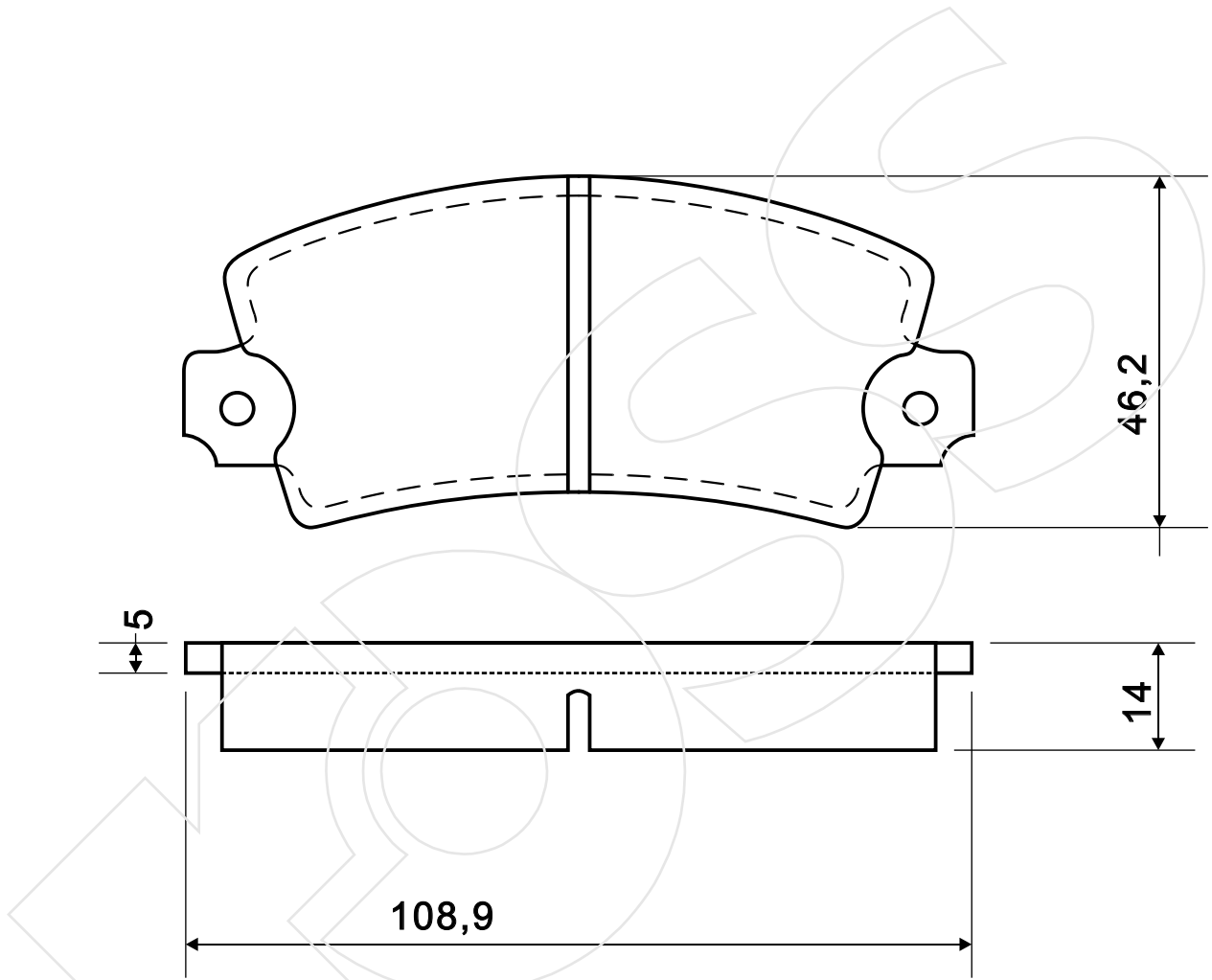
Reference in this Catalogue to other manufactures and to part numbers and other descriptions are for identification purposes only, because the above DISC BRAKE PADS are NOT ORIGINAL but with these interchangeable.

CODICE	IMPIANTO	ASSE	SCALA	APPLICAZIONI
<b>R-017</b>	GIRLING	ANTERIORE	1:1	CITROEN
CODICE COMPONENTI	N°	L(mm)	SERIE	
F3001	4	110	4 PEZZI	
*	*	*		
*	*	*		
*	*	*		
CODICE ACCESSORI	N°	L(mm)	NOTE	
*	*	*		
*	*	*		
*	*	*		
*	*	*		

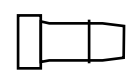


Reference in this Catalogue to other manufactures and to part numbers and other descriptions are for identification purposes only, because the above DISC BRAKE PADS are NOT ORIGINAL but with these interchangeable.

CODICE	IMPIANTO		ASSE	SCALA	APPLICAZIONI
<b>R-018</b>	BENDIX		ANTERIORE	1:1	RENAULT
CODICE COMPONENTI	N°	L(mm)	SERIE		
*	*	*	4 PEZZI		
P1001	4	*			
F3000	2				
CODICE ACCESSORI	N°	L(mm)	NOTE		
			*		
	*		*		
*	*		*		
*	*		*		



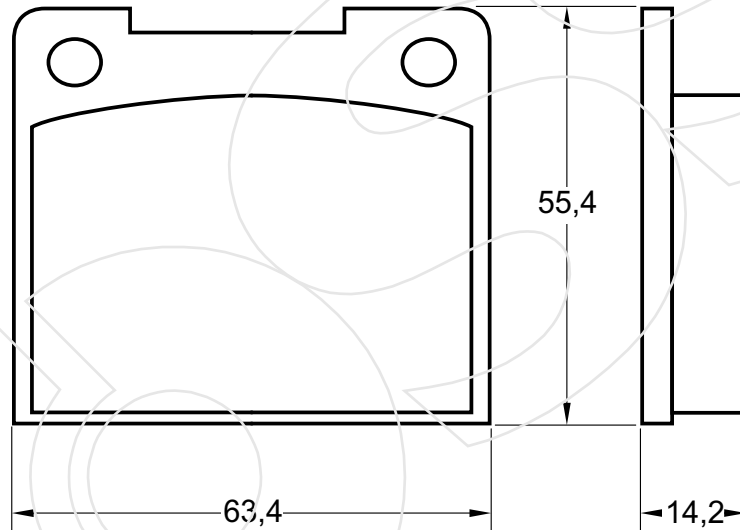
P1001



F3000

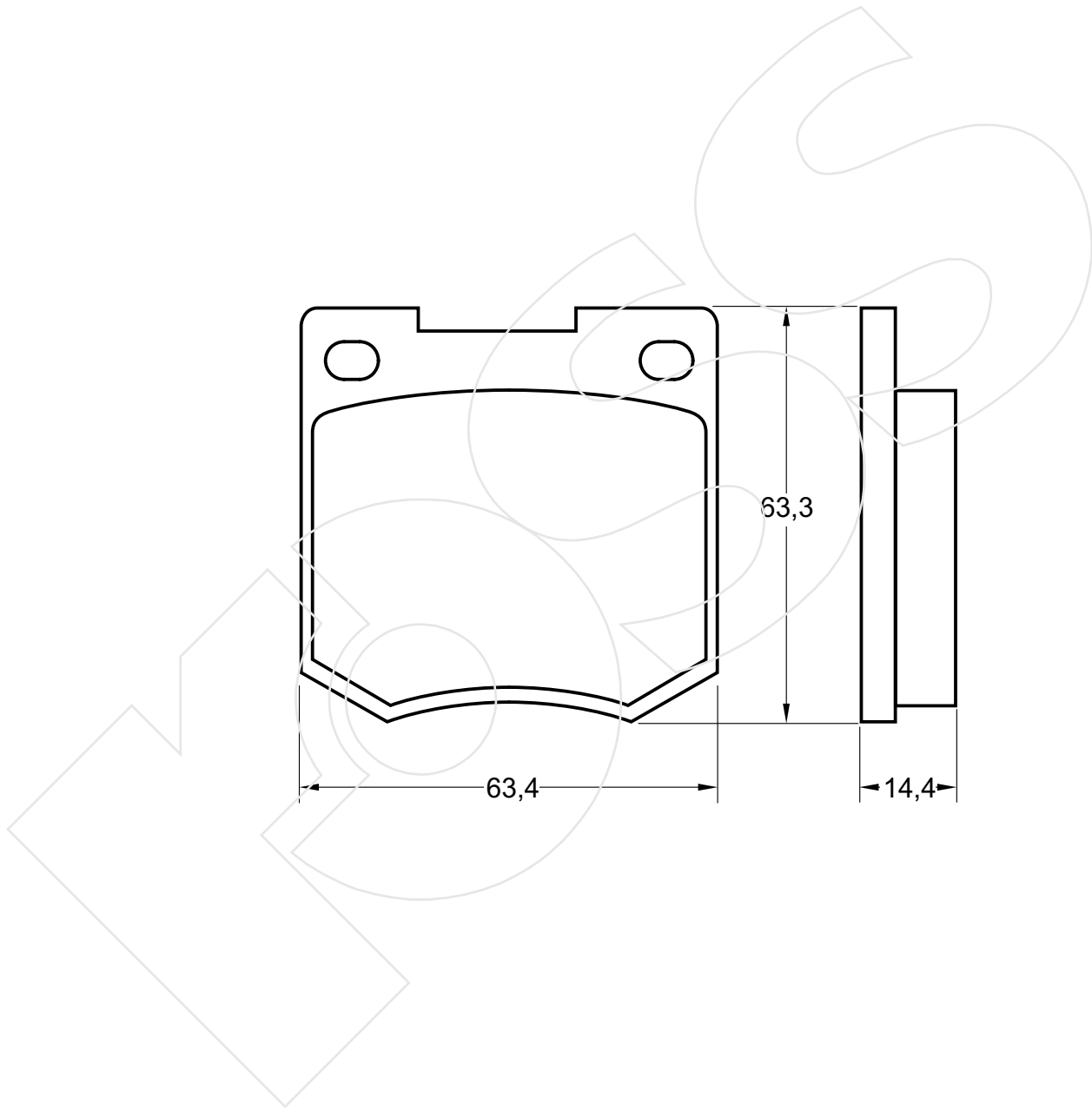
Reference in this Catalogue to other manufactures and to part numbers and other descriptions are for identification purposes only, because the above DISC BRAKE PADS are NOT ORIGINAL but with these interchangeable.

CODICE	IMPIANTO		ASSE	SCALA	APPLICAZIONI
<b>R-019</b>	GIRLING		ANTERIORE	1:1	FORD INNOCENTI LANCIA TALBOT VAUXHALL VOLVO
CODICE COMPONENTI	N°	L(mm)	SERIE		
*	*	*	4 PEZZI		
*	*	*			
*	*	*			
*	*	*			
CODICE ACCESSORI	N°	L(mm)	NOTE		
*	*	*			
*	*	*			
*	*	*			



Reference in this Catalogue to other manufactures and to part numbers and other descriptions are for identification purposes only, because the above DISC BRAKE PADS are NOT ORIGINAL but with these interchangeable.

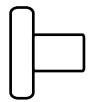
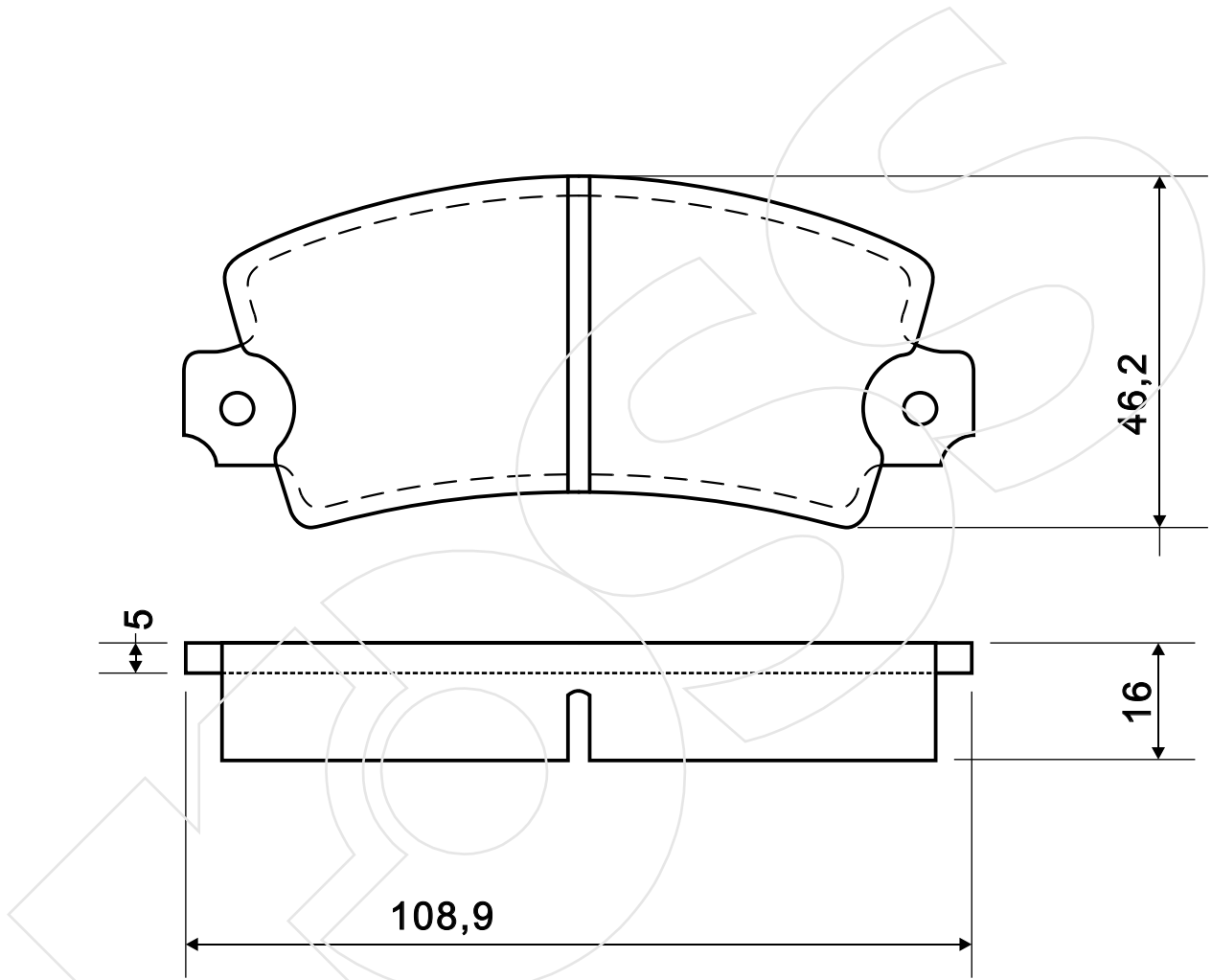
CODICE	IMPIANTO		ASSE	SCALA	APPLICAZIONI
<b>R-020</b>	GIRLING		ANTERIORE	1:1	FORD INNOCENTI ROVER TALBOT VAUXHALL VOLVO
CODICE COMPONENTI	N°	L(mm)	SERIE		
*	*	*	4 PEZZI		
*	*	*			
*	*	*			
*	*	*			
CODICE ACCESSORI	N°	L(mm)	NOTE		
*	*	*			
*	*	*			
*	*	*			



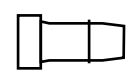
Reference in this Catalogue to other manufactures and to part numbers and other descriptions are for identification purposes only, because the above DISC BRAKE PADS are NOT ORIGINAL but with these interchangeable.



CODICE	IMPIANTO		ASSE	SCALA	APPLICAZIONI
<b>R-026</b>	BENDIX		ANTERIORE	1:1	RENAULT
CODICE COMPONENTI	N°	L(mm)	SERIE		
*	*	*	4 PEZZI		
P1001	4	*			
F3000	2				
CODICE ACCESSORI	N°	L(mm)	NOTE		
			*		
	*		*		
*	*		*		
*	*		*		



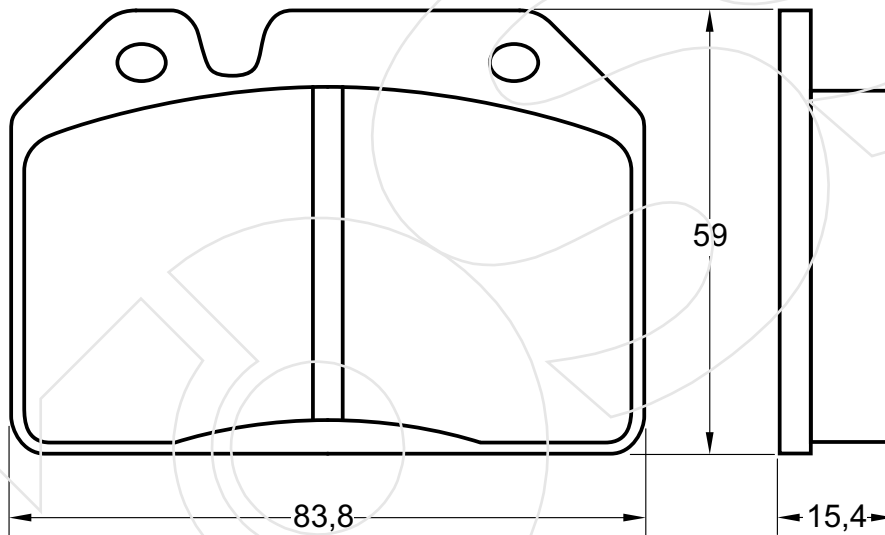
P1001



F3000

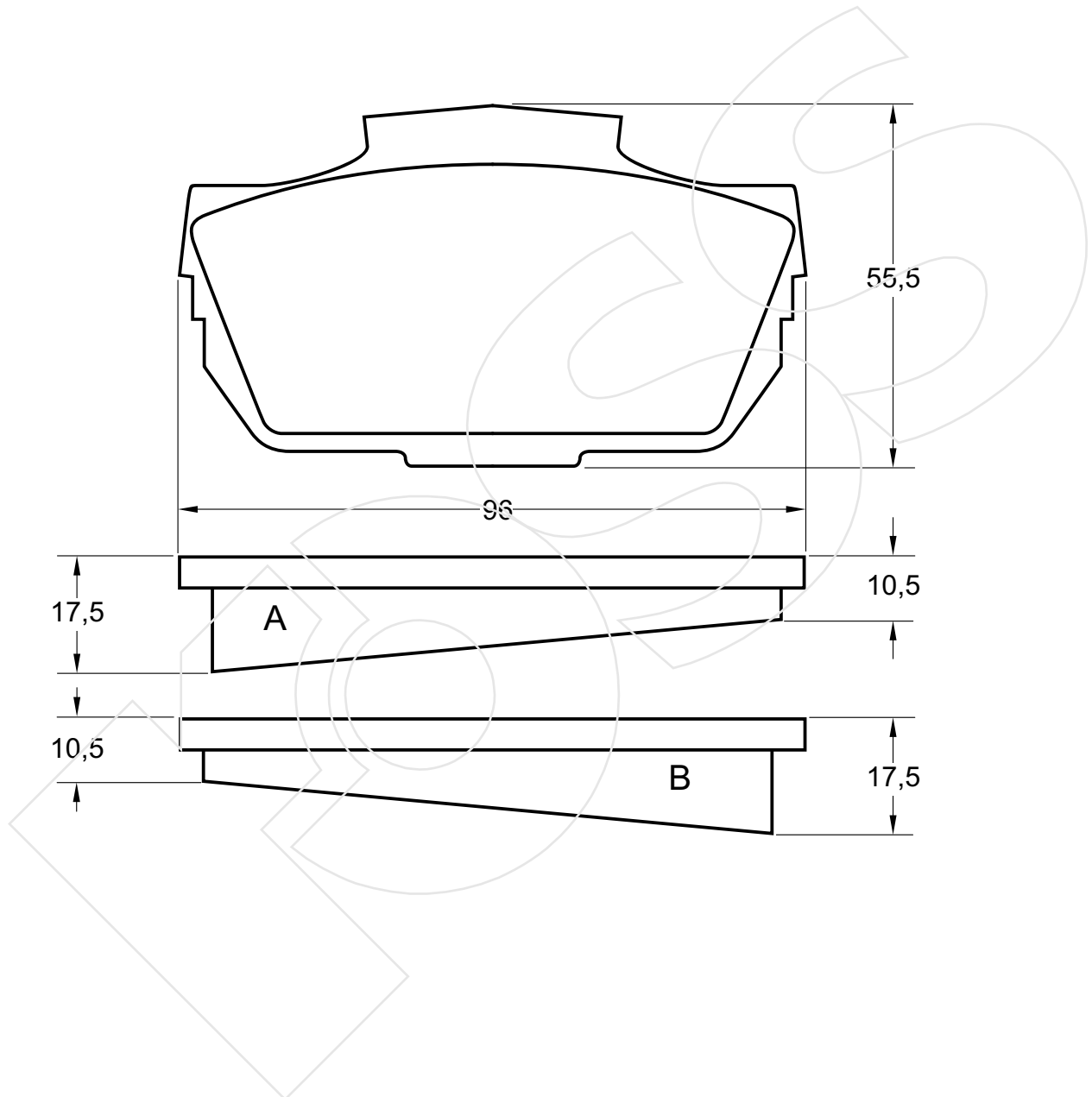
Reference in this Catalogue to other manufactures and to part numbers and other descriptions are for identification purposes only, because the above DISC BRAKE PADS are NOT ORIGINAL but with these interchangeable.

CODICE	IMPIANTO	ASSE	SCALA	APPLICAZIONI
<b>R-027</b>	BENDIX	ANTERIORE	1:1	PEUGEOT
CODICE COMPONENTI	N°	L(mm)	SERIE	
*	*	*	4 PEZZI	
*	*	*		
*	*	*		
*	*	*		
CODICE ACCESSORI	N°	L(mm)	NOTE	
*	*	*		
*	*	*		
*	*	*		
*	*	*		



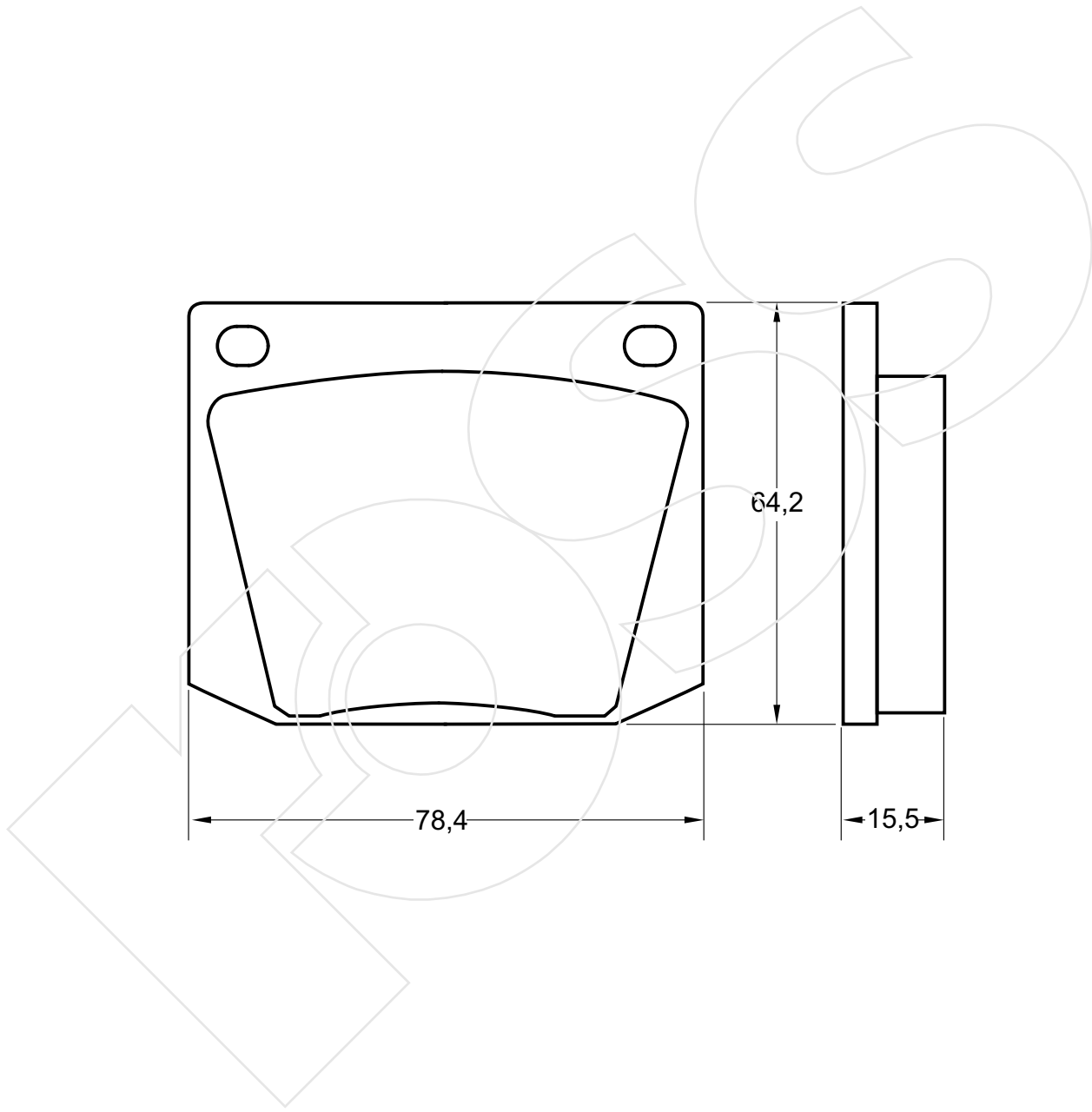
Reference in this Catalogue to other manufactures and to part numbers and other descriptions are for identification purposes only, because the above DISC BRAKE PADS are NOT ORIGINAL but with these interchangeable.

CODICE	IMPIANTO		ASSE	SCALA	APPLICAZIONI
<b>R-030</b>	LOCKEED		ANTERIORE	1:1	SAAB
CODICE COMPONENTI	N°	L(mm)	SERIE		
*	*	*	2 PEZZI TIPO A		
*	*	*	2 PEZZI TIPO B		
*	*	*			
CODICE ACCESSORI	N°	L(mm)	NOTE		
*	*	*	*		
*	*	*	*		
*	*	*	*		
*	*	*	*		



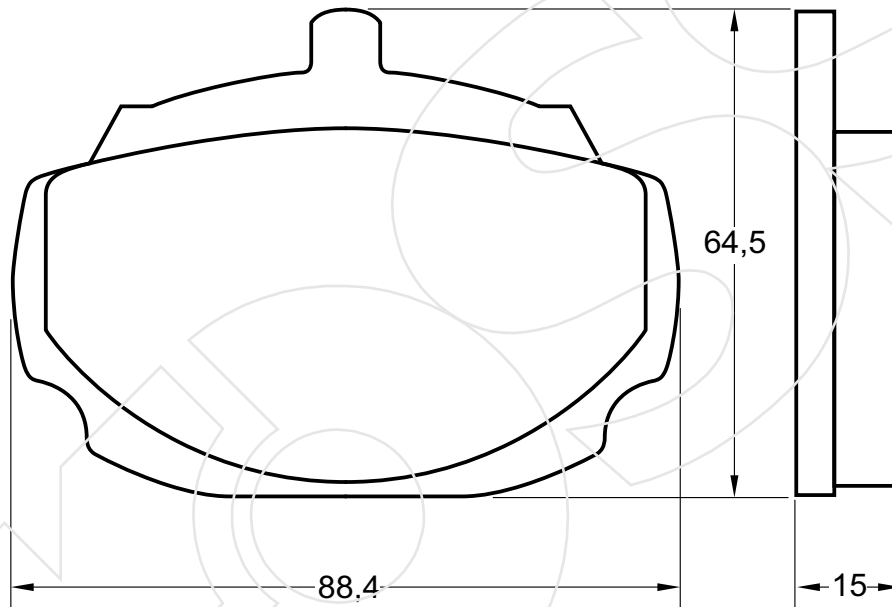
Reference in this Catalogue to other manufactures and to part numbers and other descriptions are for identification purposes only, because the above DISC BRAKE PADS are NOT ORIGINAL but with these interchangeable.

CODICE	IMPIANTO		ASSE	SCALA	APPLICAZIONI
<b>R-031</b>	GIRLING		ANTERIORE	1:1	FORD ROVER TALBOT VAUXHALL
CODICE COMPONENTI	N°	L(mm)	SERIE		
*	*	*	4 PEZZI		
*	*	*			
*	*	*			
*	*	*			
CODICE ACCESSORI	N°	L(mm)	NOTE		
*	*	*			
*	*	*			
*	*	*			



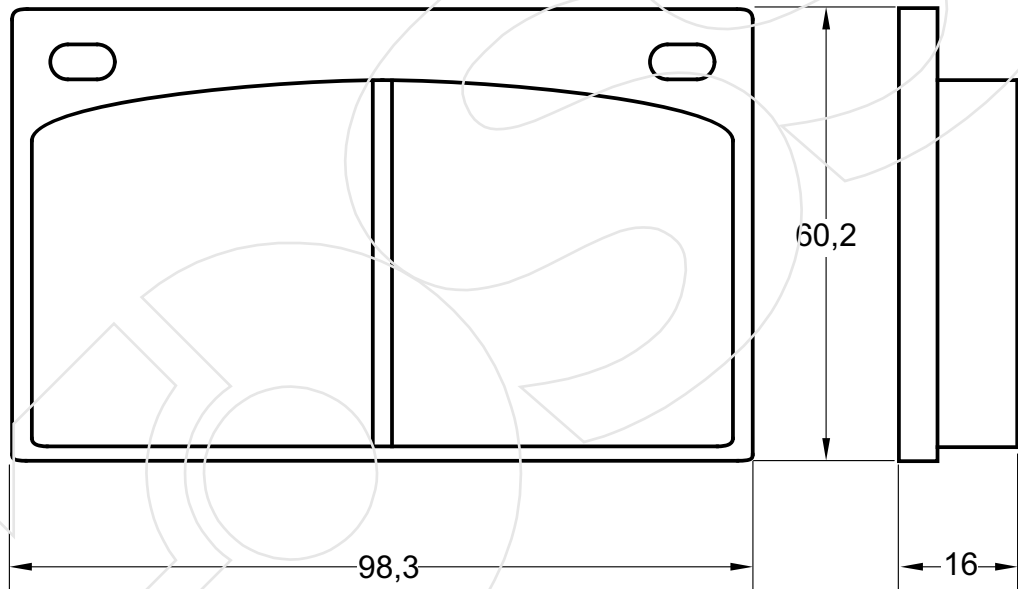
Reference in this Catalogue to other manufactures and to part numbers and other descriptions are for identification purposes only, because the above DISC BRAKE PADS are NOT ORIGINAL but with these interchangeable.

CODICE	IMPIANTO		ASSE	SCALA	APPLICAZIONI
<b>R-033</b>	LOCKEED		ANTERIORE	1:1	AVELING BARFORD ROVER TALBOT
CODICE COMPONENTI	N°	L(mm)	SERIE		
*	*	*	4 PEZZI		
*	*	*			
*	*	*			
*	*	*			
CODICE ACCESSORI	N°	L(mm)	NOTE		
*	*	*			
*	*	*			
*	*	*			
*	*	*			



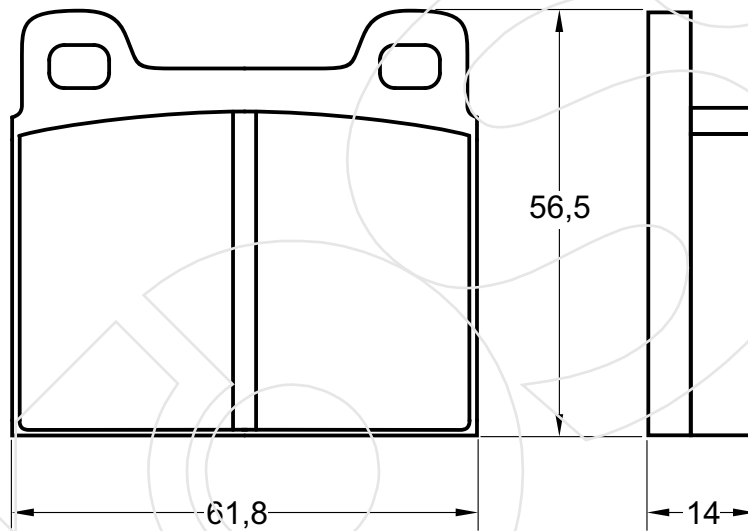
Reference in this Catalogue to other manufactures and to part numbers and other descriptions are for identification purposes only, because the above DISC BRAKE PADS are NOT ORIGINAL but with these interchangeable.

CODICE	IMPIANTO		ASSE	SCALA	APPLICAZIONI
<b>R-035</b>	GIRLING		ANTERIORE	1:1	VOLVO
CODICE COMPONENTI	N°	L(mm)	SERIE		
*	*	*	4 PEZZI		
*	*	*			
*	*	*			
*	*	*			
CODICE ACCESSORI	N°	L(mm)	NOTE		
*	*	*			
*	*	*			
*	*	*			
*	*	*			



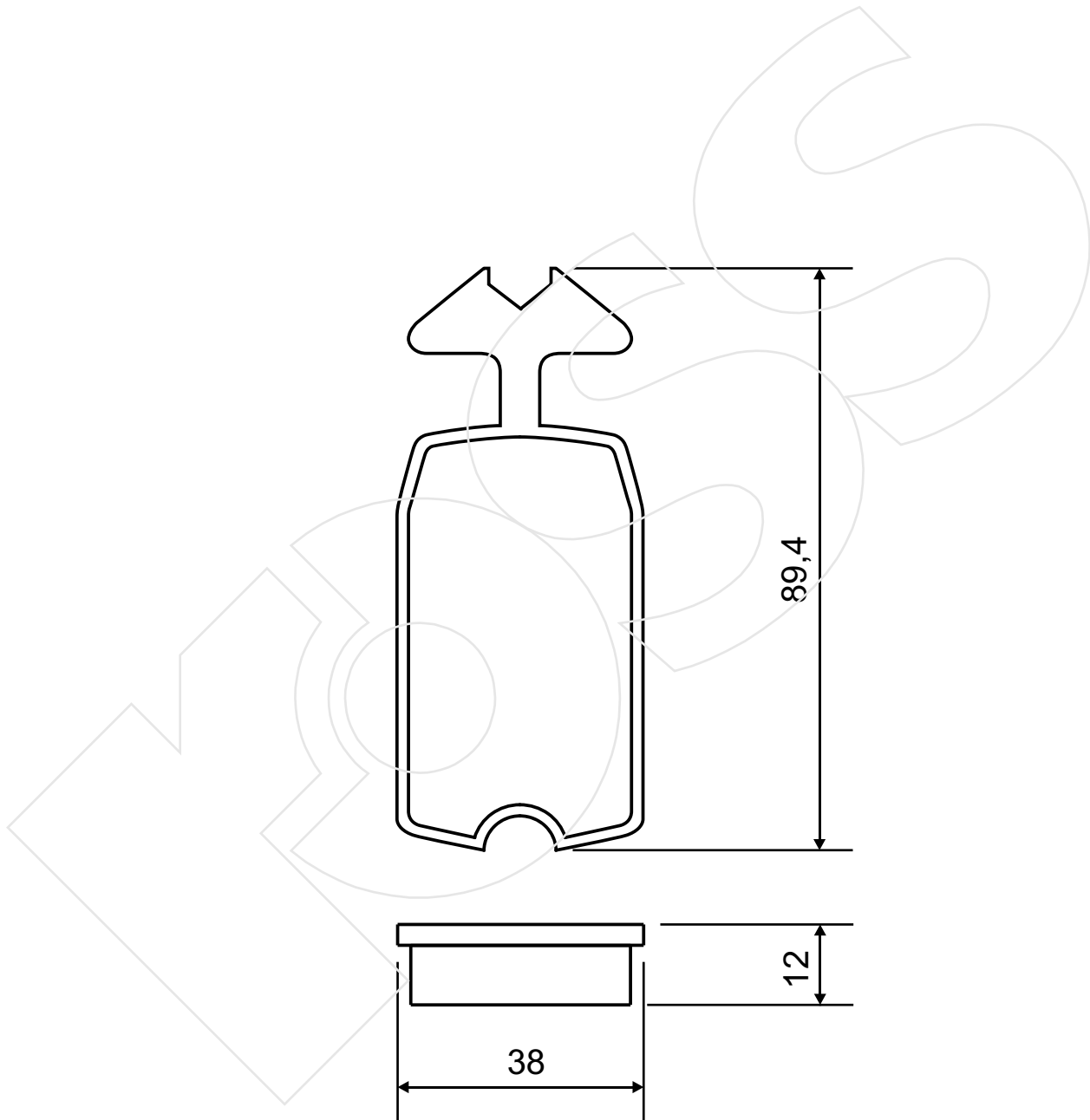
Reference in this Catalogue to other manufactures and to part numbers and other descriptions are for identification purposes only, because the above DISC BRAKE PADS are NOT ORIGINAL but with these interchangeable.

CODICE	IMPIANTO		ASSE	SCALA	APPLICAZIONI
<b>R-036</b>	ATE		ANTERIORE	1:1	OPEL
CODICE COMPONENTI	N°	L(mm)	SERIE		
*	*	*	4 PEZZI		
*	*	*			
*	*	*			
*	*	*			
CODICE ACCESSORI	N°	L(mm)	NOTE		
*	*	*			
*	*	*			
*	*	*			
*	*	*			



Reference in this Catalogue to other manufactures and to part numbers and other descriptions are for identification purposes only, because the above DISC BRAKE PADS are NOT ORIGINAL but with these interchangeable.

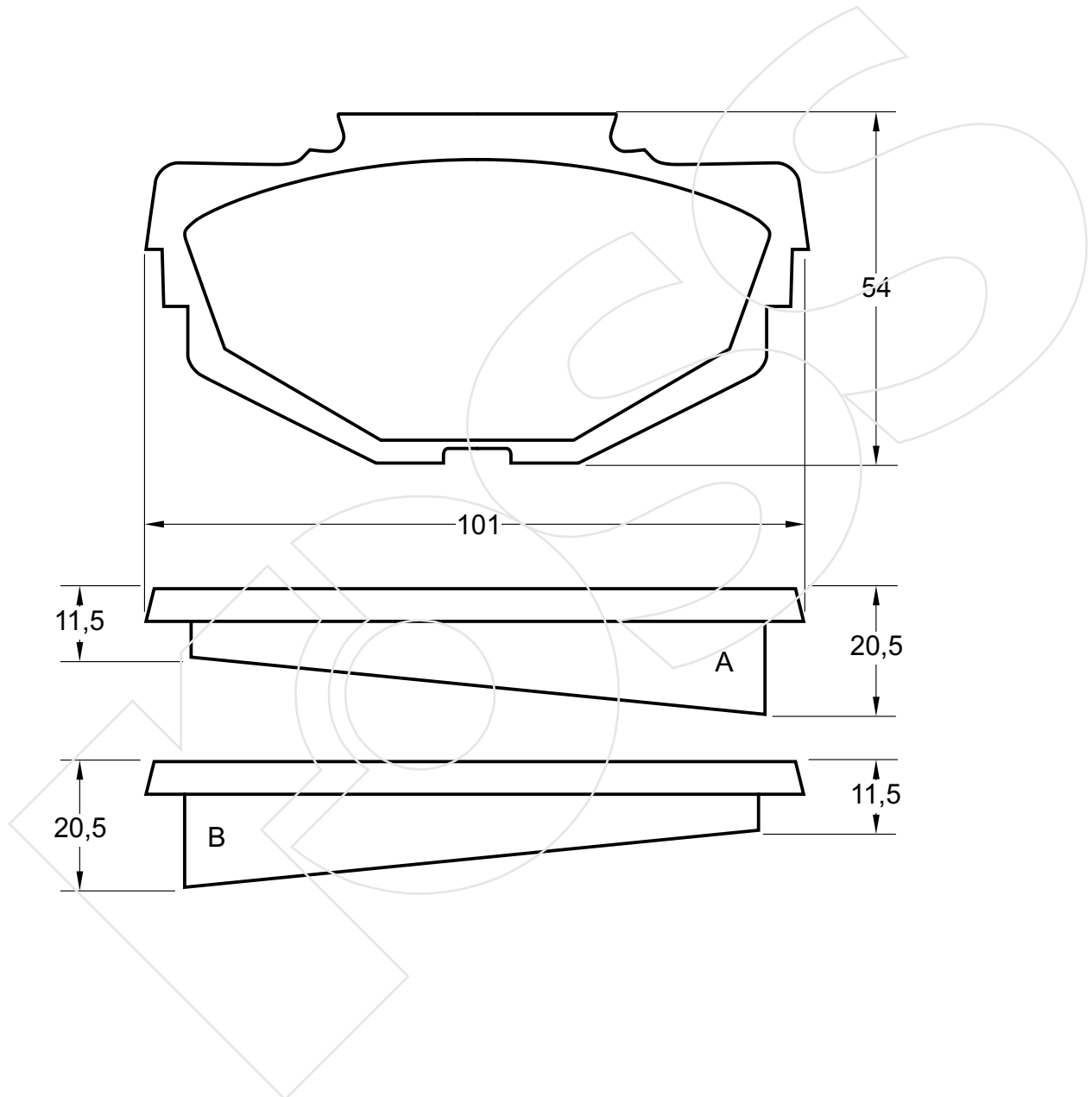
CODICE	IMPIANTO		ASSE	SCALA	APPLICAZIONI
<b>R-039</b>	CITROEN		ANTERIORE	1:1	CITROEN
CODICE COMPONENTI	N°	L(mm)	SERIE		
*	*	*	4 PEZZI		
*	*	*			
*	*	*			
*	*	*			
CODICE ACCESSORI	N°	L(mm)	NOTE		
*	*	*			
*	*	*			
*	*	*			
*	*	*			



Reference in this Catalogue to other manufactures and to part numbers and other descriptions are for identification purposes only, because the above DISC BRAKE PADS are NOT ORIGINAL but with these interchangeable.

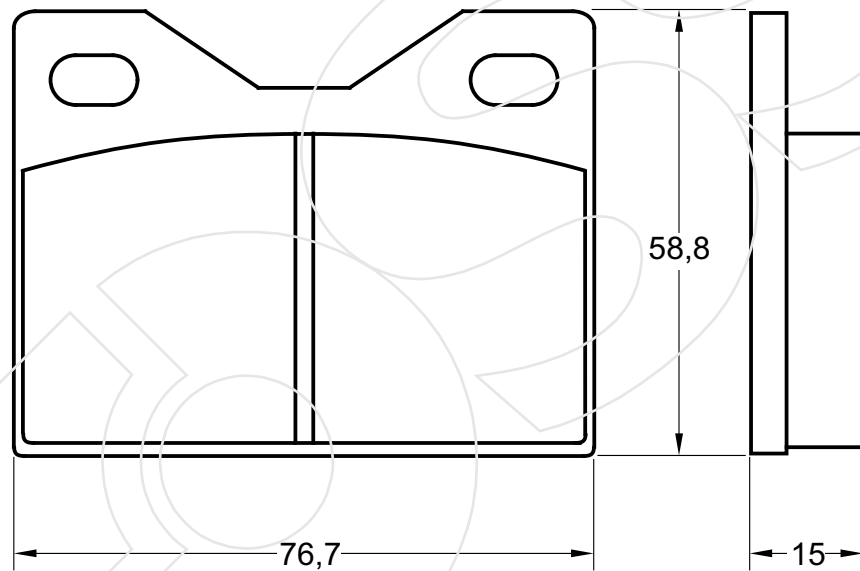


CODICE	IMPIANTO		ASSE	SCALA	APPLICAZIONI
<b>R-040</b>	LOCKEED		ANTERIORE	1:1	INNOCENTI ROVER
CODICE COMPONENTI	N°	L(mm)	SERIE		
*	*	*	2 PEZZI TIPO A		
*	*	*	2 PEZZI TIPO B		
*	*	*			
CODICE ACCESSORI	N°	L(mm)	NOTE		
*	*	*	*		
*	*	*	*		
*	*	*	*		
*	*	*	*		



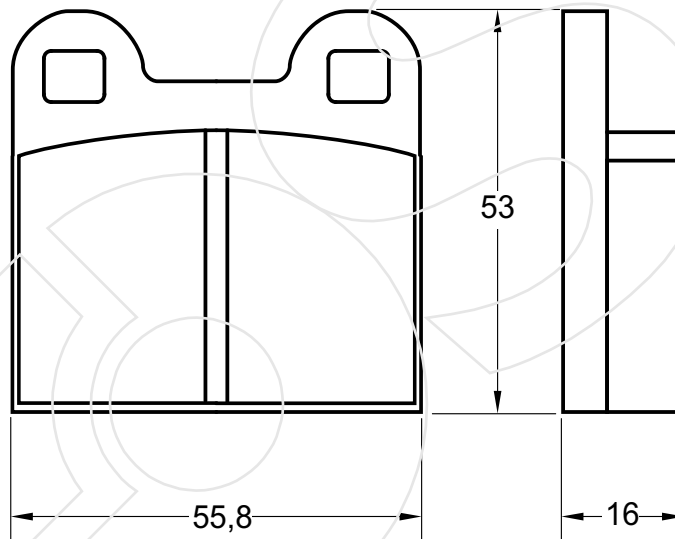
Reference in this Catalogue to other manufactures and to part numbers and other descriptions are for identification purposes only, because the above DISC BRAKE PADS are NOT ORIGINAL but with these interchangeable.

CODICE	IMPIANTO		ASSE	SCALA	APPLICAZIONI
<b>R-041</b>	ATE		ANTERIORE	1:1	AUDI BMW VOLKSWAGEN
CODICE COMPONENTI	N°	L(mm)	SERIE		
*	*	*	4 PEZZI		
*	*	*			
*	*	*			
*	*	*			
CODICE ACCESSORI	N°	L(mm)	NOTE		
*	*	*			
*	*	*			
*	*	*			



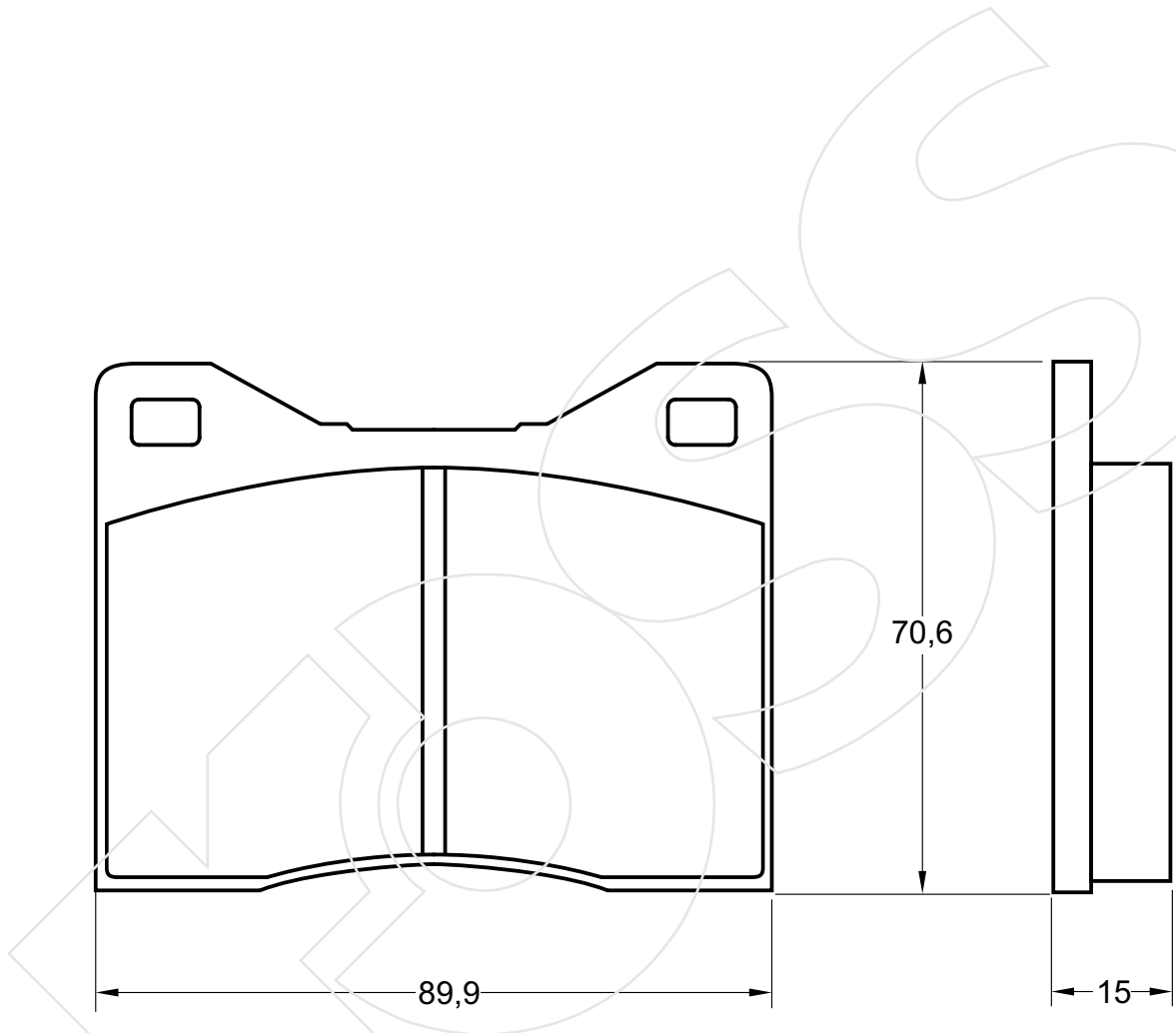
Reference in this Catalogue to other manufactures and to part numbers and other descriptions are for identification purposes only, because the above DISC BRAKE PADS are NOT ORIGINAL but with these interchangeable.

CODICE	IMPIANTO	ASSE	SCALA	APPLICAZIONI
<b>R-042</b>	ATE	ANTERIORE	1:1	OPEL
CODICE COMPONENTI	N°	L(mm)	SERIE	
*	*	*	4 PEZZI	
*	*	*		
*	*	*		
*	*	*		
CODICE ACCESSORI	N°	L(mm)	NOTE	
*	*	*		
*	*	*		
*	*	*		
*	*	*		



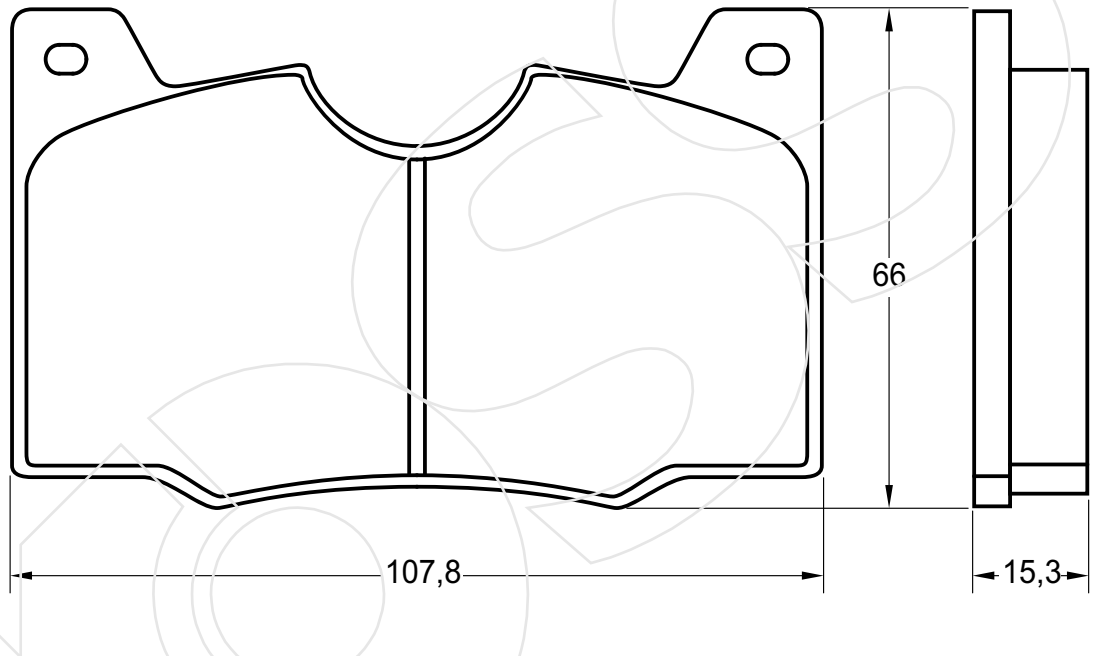
Reference in this Catalogue to other manufactures and to part numbers and other descriptions are for identification purposes only, because the above DISC BRAKE PADS are NOT ORIGINAL but with these interchangeable.

CODICE	IMPIANTO		ASSE	SCALA	APPLICAZIONI
<b>R-043</b>	ATE		ANTERIORE	1:1	ALFAROMEO BMW
CODICE COMPONENTI	N°	L(mm)	SERIE		
*	*	*	4 PEZZI		
*	*	*			
*	*	*			
*	*	*			
*	*	*			
CODICE ACCESSORI	N°	L(mm)	NOTE		
*	*	*			
*	*	*			
*	*	*			
*	*	*			



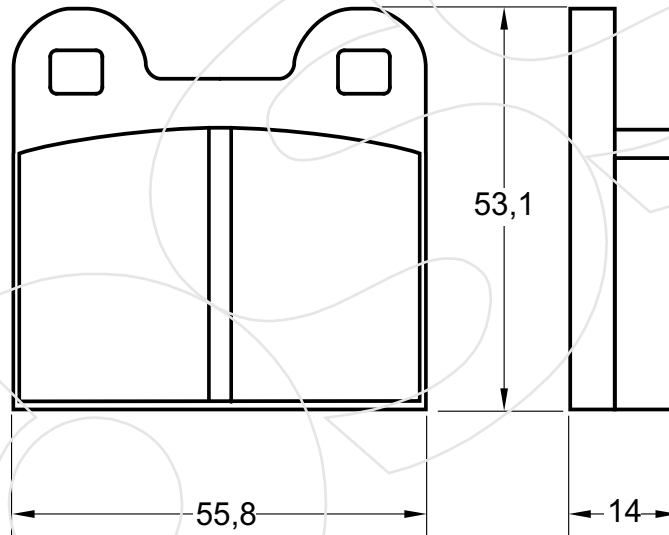
Reference in this Catalogue to other manufactures and to part numbers and other descriptions are for identification purposes only, because the above DISC BRAKE PADS are NOT ORIGINAL but with these interchangeable.

CODICE	IMPIANTO		ASSE	SCALA	APPLICAZIONI
<b>R-046</b>	GIRLING		ANTERIORE	1:1	LANCIA
CODICE COMPONENTI	N°	L(mm)	SERIE		
*	*	*	4 PEZZI		
*	*	*			
*	*	*			
*	*	*			
*	*	*			
CODICE ACCESSORI	N°	L(mm)	NOTE		
*	*	*			
*	*	*			
*	*	*			
*	*	*			



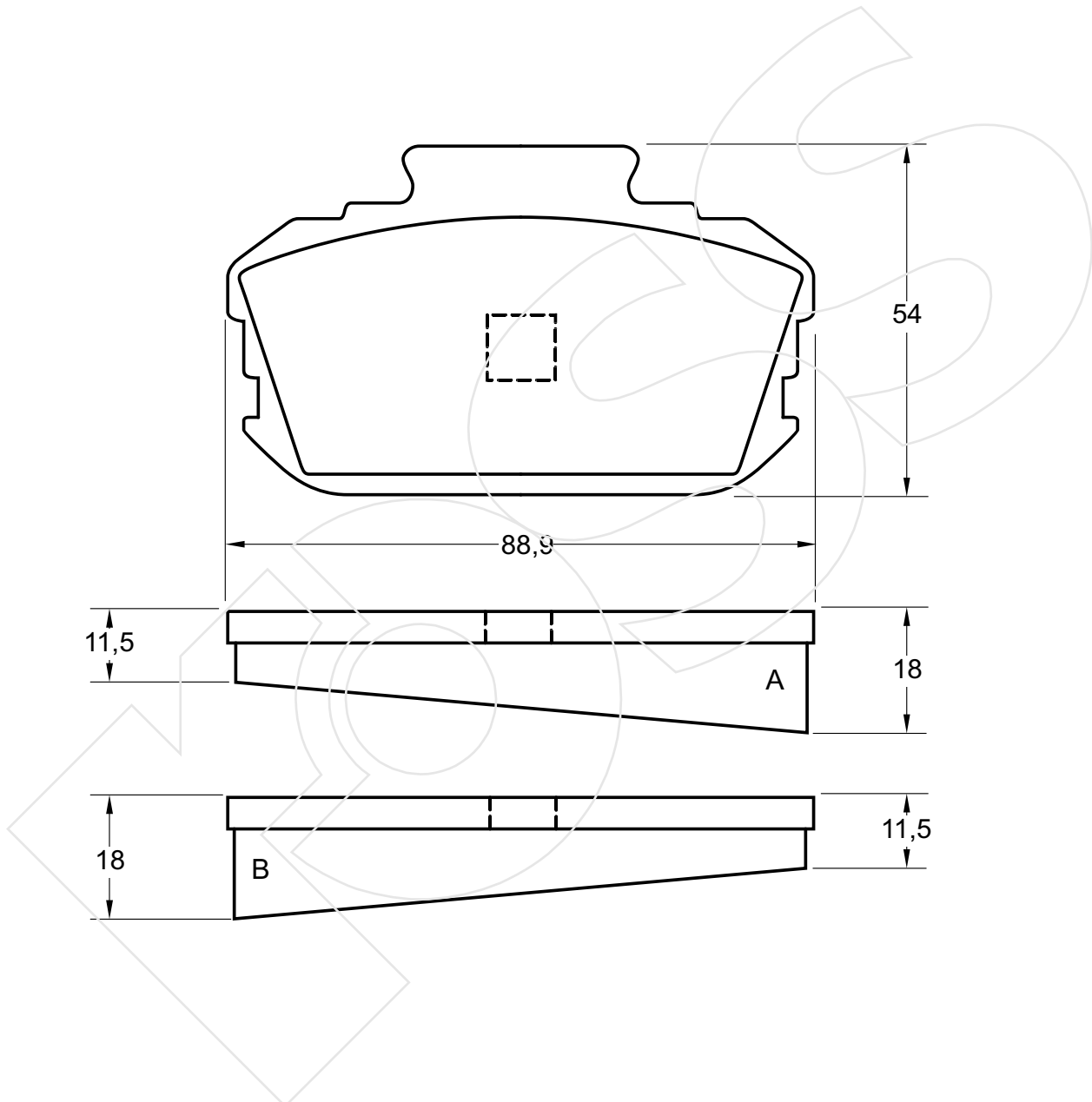
Reference in this Catalogue to other manufactures and to part numbers and other descriptions are for identification purposes only, because the above DISC BRAKE PADS are NOT ORIGINAL but with these interchangeable.

CODICE	IMPIANTO		ASSE	SCALA	APPLICAZIONI
<b>R-047</b>	ATE		ANTERIORE	1:1	ALFAROMEO SAAB VOLKSWAGEN
CODICE COMPONENTI	N°	L(mm)	SERIE		
*	*	*	4 PEZZI		
*	*	*			
*	*	*			
*	*	*			
CODICE ACCESSORI	N°	L(mm)	NOTE		
*	*	*			
*	*	*			
*	*	*			



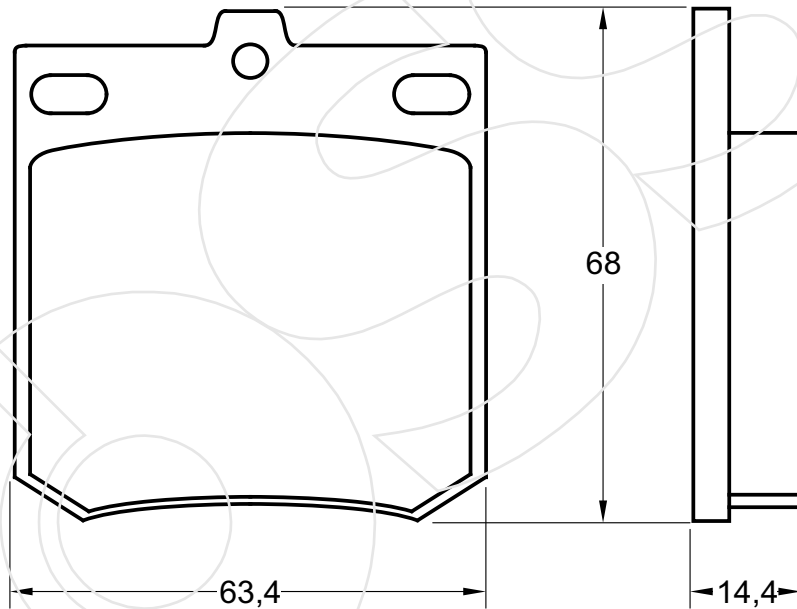
Reference in this Catalogue to other manufactures and to part numbers and other descriptions are for identification purposes only, because the above DISC BRAKE PADS are NOT ORIGINAL but with these interchangeable.

CODICE	IMPIANTO	ASSE	SCALA	APPLICAZIONI
<b>R-048</b>	LOCKEED	ANTERIORE	1:1	NISSAN-DATSUN
CODICE COMPONENTI	N°	L(mm)	SERIE	
*	*	*	2 PEZZI TIPO A	
*	*	*	2 PEZZI TIPO B	
*	*	*		
CODICE ACCESSORI	N°	L(mm)	NOTE	
*	*	*		
*	*	*		
*	*	*		
*	*	*		



Reference in this Catalogue to other manufactures and to part numbers and other descriptions are for identification purposes only, because the above DISC BRAKE PADS are NOT ORIGINAL but with these interchangeable.

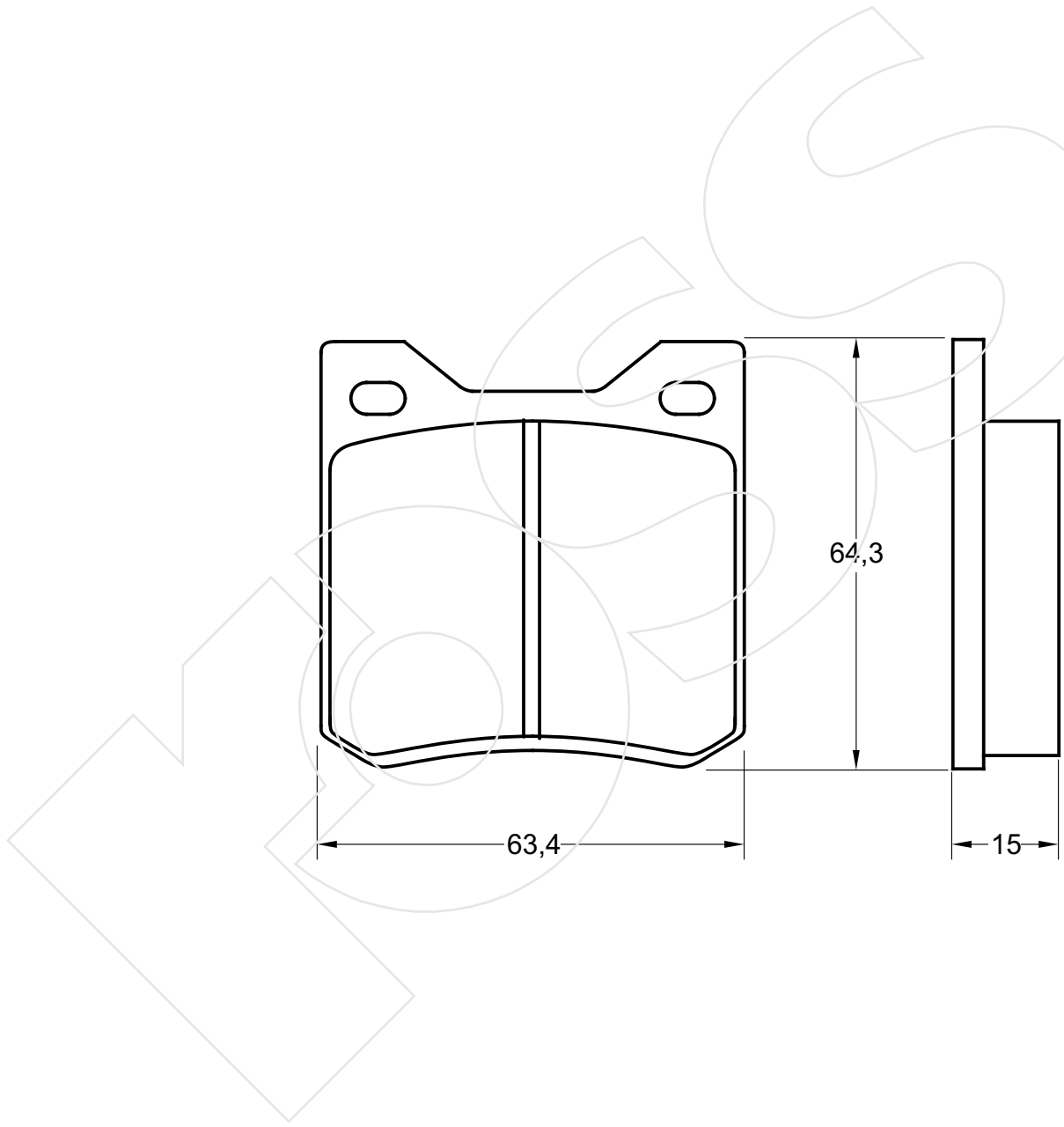
CODICE	IMPIANTO		ASSE	SCALA	APPLICAZIONI
<b>R-049</b>	SUMITOMO		ANTERIORE	1:1	ISUZU MAZDA MITSUBISHI TOYOTA
CODICE COMPONENTI	N°	L(mm)	SERIE		
*	*	*	4 PEZZI		
*	*	*			
*	*	*			
*	*	*			
CODICE ACCESSORI	N°	L(mm)	NOTE		
*	*	*			
*	*	*			
*	*	*			



Reference in this Catalogue to other manufactures and to part numbers and other descriptions are for identification purposes only, because the above DISC BRAKE PADS are NOT ORIGINAL but with these interchangeable.

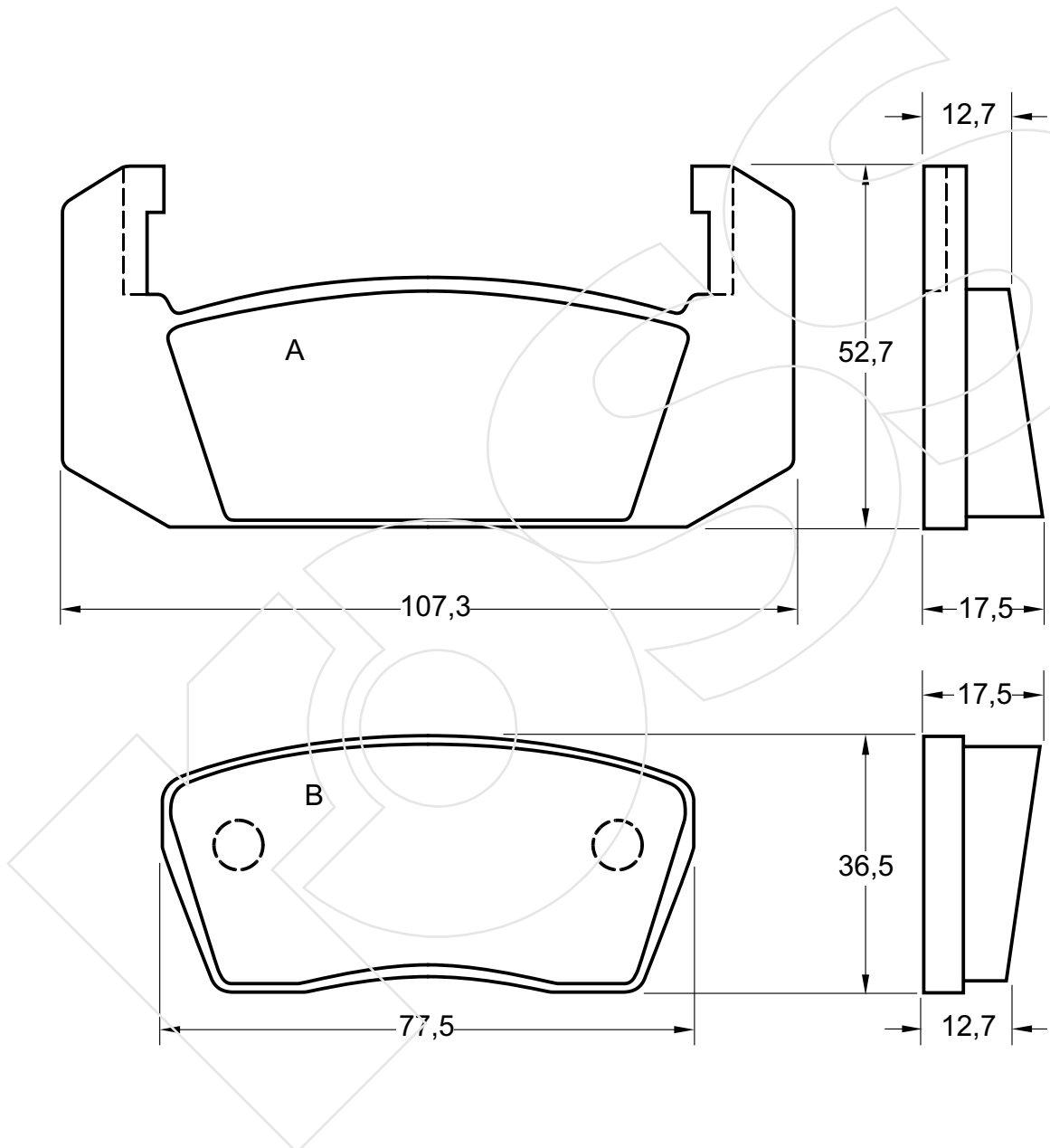


CODICE	IMPIANTO		ASSE	SCALA	APPLICAZIONI
<b>R-050</b>	GIRLING		ANTERIORE	1:1	PEUGEOT
CODICE COMPONENTI	N°	L(mm)	SERIE		
*	*	*	4 PEZZI		
*	*	*			
*	*	*			
*	*	*			
CODICE ACCESSORI	N°	L(mm)	NOTE		
*	*	*			
*	*	*			
*	*	*			
*	*	*			



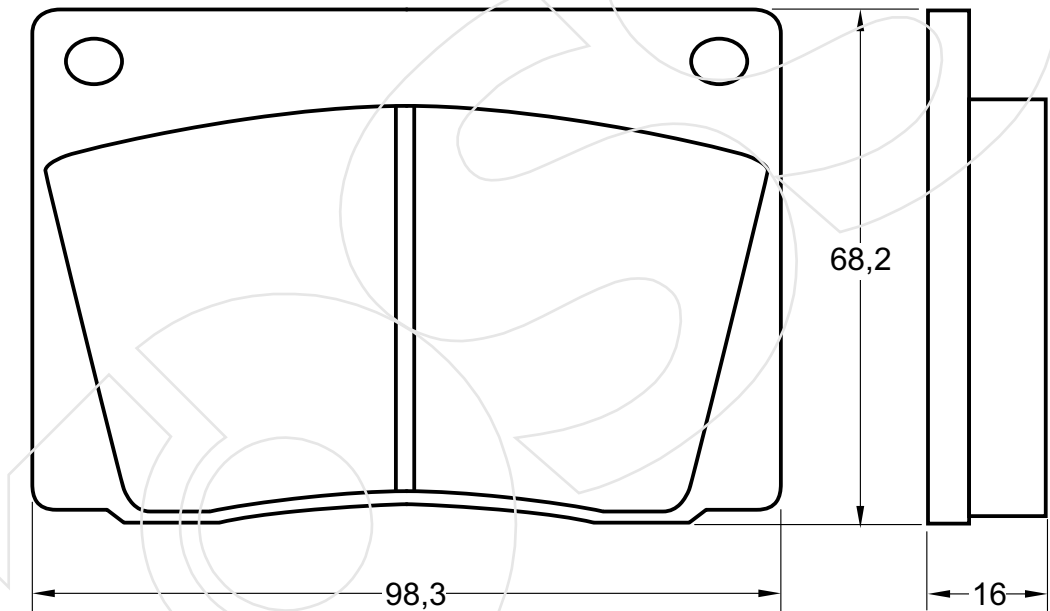
Reference in this Catalogue to other manufactures and to part numbers and other descriptions are for identification purposes only, because the above DISC BRAKE PADS are NOT ORIGINAL but with these interchangeable.

CODICE	IMPIANTO	ASSE	SCALA	APPLICAZIONI
<b>R-051</b>	LOCKEED	POSTERIORE	1:1	ROVER
CODICE COMPONENTI	N°	L(mm)	SERIE	
*	*	*	2 PEZZI TIPO A	
*	*	*	2 PEZZI TIPO B	
*	*	*		
CODICE ACCESSORI	N°	L(mm)	NOTE	
*	*	*		
*	*	*		
*	*	*		
*	*	*		



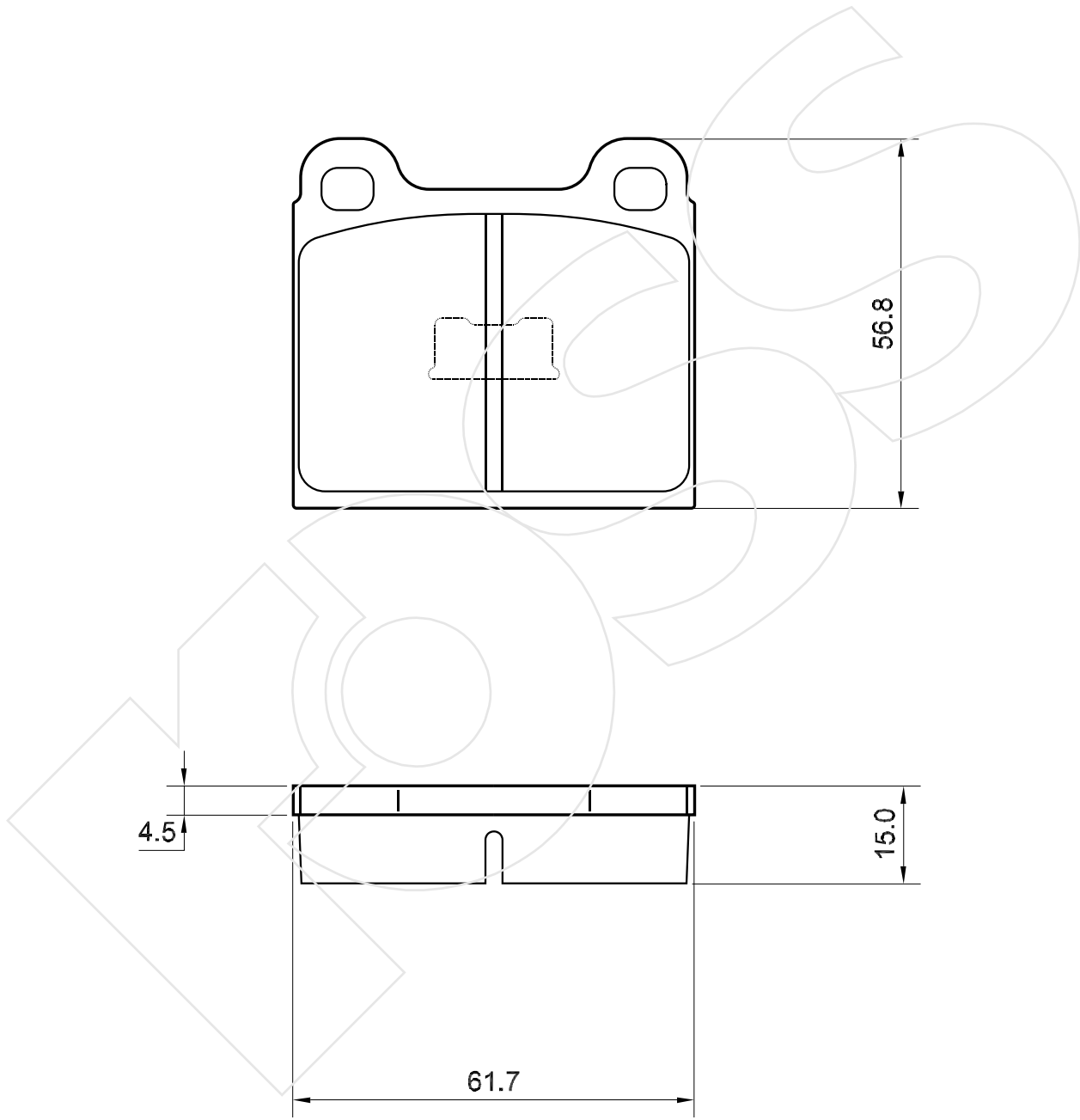
Reference in this Catalogue to other manufactures and to part numbers and other descriptions are for identification purposes only, because the above DISC BRAKE PADS are NOT ORIGINAL but with these interchangeable.

CODICE	IMPIANTO		ASSE	SCALA	APPLICAZIONI
<b>R-052</b>	GIRLING		ANTERIORE	1:1	ALFAROMEO FIAT MERCEDES ROVER VOLVO
CODICE COMPONENTI	N°	L(mm)	SERIE		
*	*	*	4 PEZZI		
*	*	*			
*	*	*			
*	*	*			
CODICE ACCESSORI	N°	L(mm)	NOTE		
*	*	*			
*	*	*			
*	*	*			



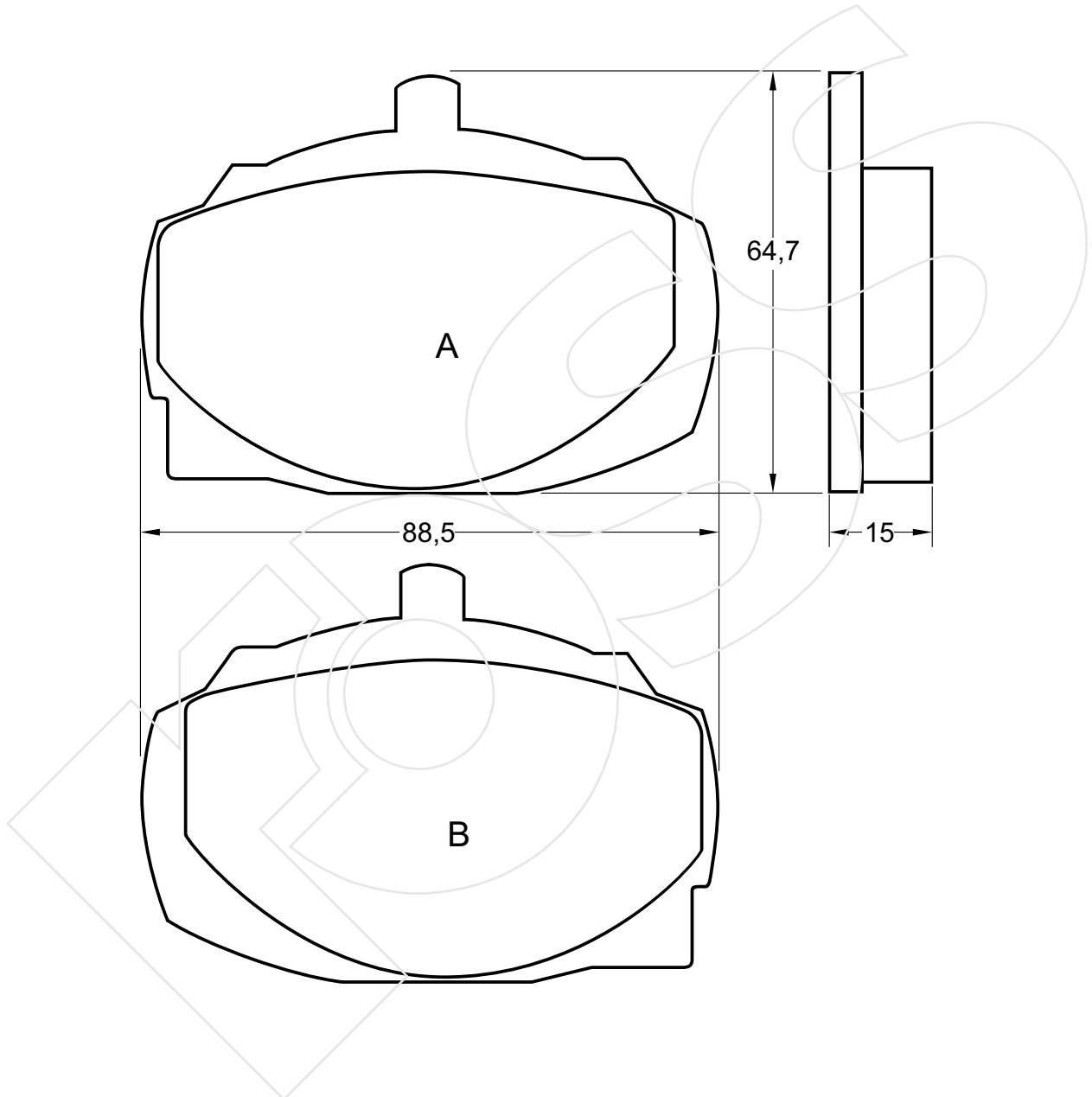
Reference in this Catalogue to other manufactures and to part numbers and other descriptions are for identification purposes only, because the above DISC BRAKE PADS are NOT ORIGINAL but with these interchangeable.

CODICE	IMPIANTO		ASSE	SCALA	APPLICAZIONI
<b>R-054</b>	ATE		ANTERIORE	100%	AUDI VOLKSWAGEN
CODICE COMPONENTI	N°	L(mm)	SERIE		
*	*	*	4 PEZZI		
*	*	*			
*	*	*			
*	*	*			
CODICE ACCESSORI	N°	L(mm)	NOTE		
*	*	*			
*	*	*			
*	*	*			
*	*	*			



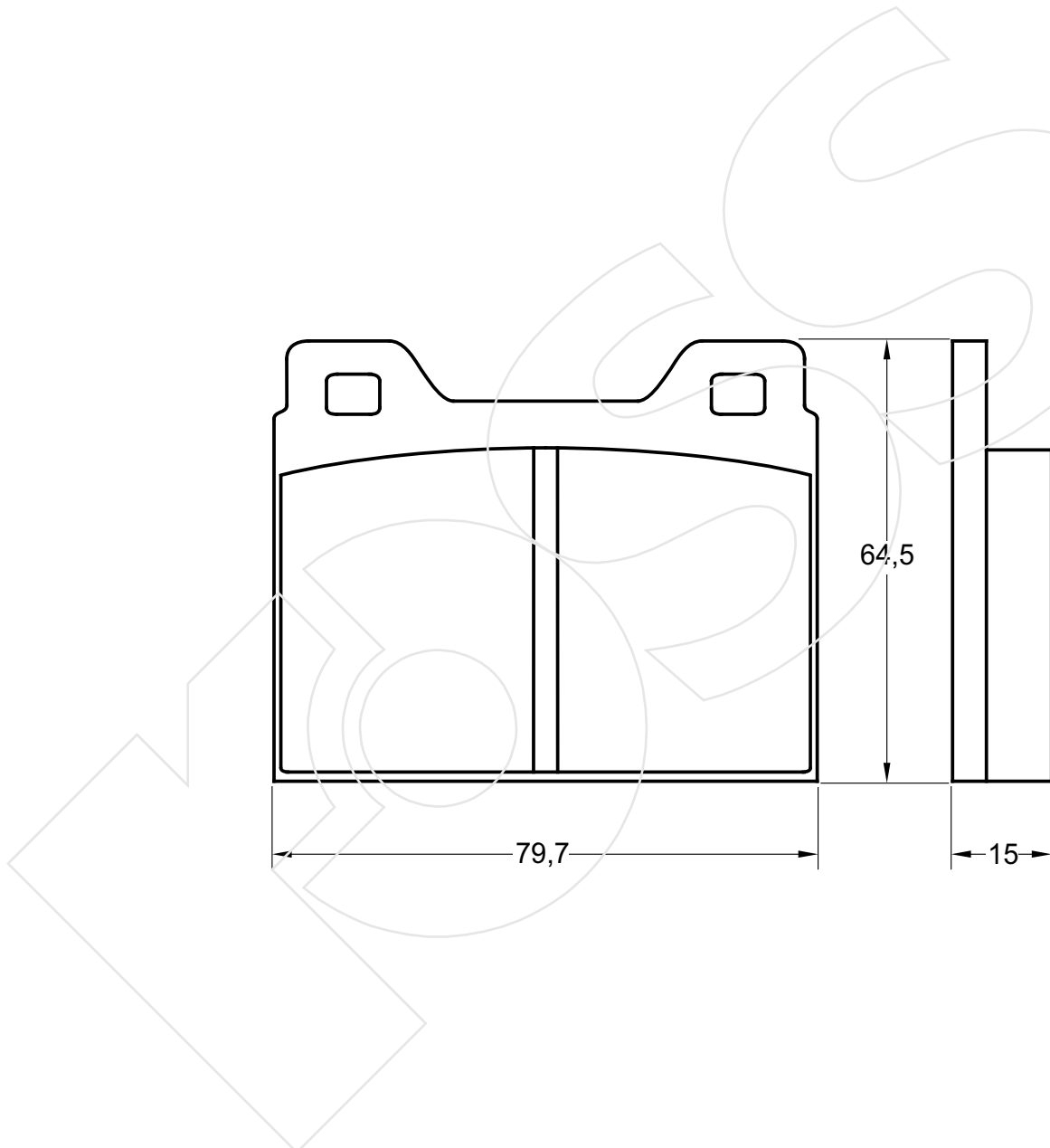
Reference in this Catalogue to other manufactures and to part numbers and other descriptions are for identification purposes only, because the above DISC BRAKE PADS are NOT ORIGINAL but with these interchangeable.

CODICE	IMPIANTO	ASSE	SCALA	APPLICAZIONI
<b>R-058</b>	LOCKEED	ANTERIORE	1:1	TALBOT
CODICE COMPONENTI	N°	L(mm)	SERIE	
*	*	*	2 PEZZI TIPO A	
*	*	*	2 PEZZI TIPO B	
*	*	*		
CODICE ACCESSORI	N°	L(mm)	NOTE	
*	*	*		
*	*	*		
*	*	*		
*	*	*		



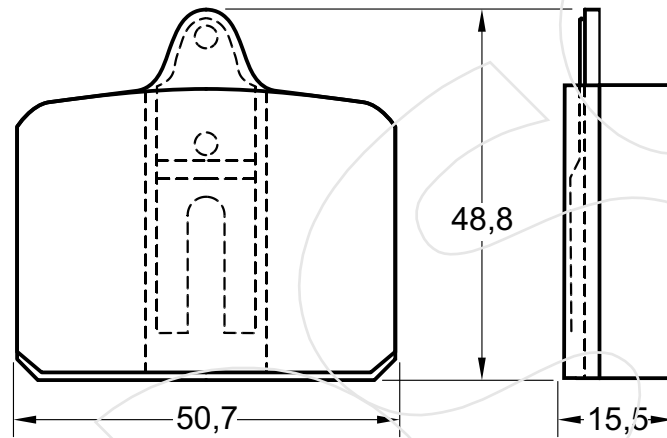
Reference in this Catalogue to other manufactures and to part numbers and other descriptions are for identification purposes only, because the above DISC BRAKE PADS are NOT ORIGINAL but with these interchangeable.

CODICE	IMPIANTO		ASSE	SCALA	APPLICAZIONI
<b>R-062</b>	ATE		ANTERIORE	1:1	VOLVO
CODICE COMPONENTI	N°	L(mm)	SERIE		
*	*	*	4 PEZZI		
*	*	*			
*	*	*			
*	*	*			
CODICE ACCESSORI	N°	L(mm)	NOTE		
*	*	*			
*	*	*			
*	*	*			
*	*	*			



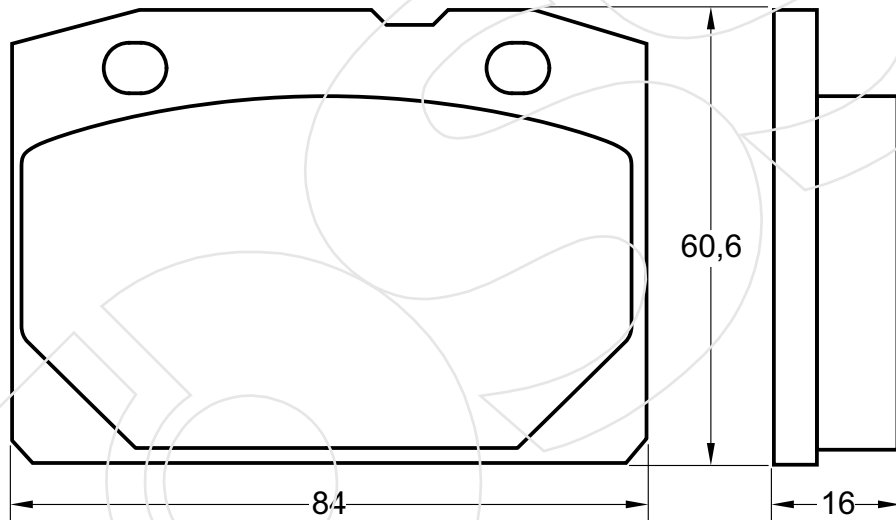
Reference in this Catalogue to other manufactures and to part numbers and other descriptions are for identification purposes only, because the above DISC BRAKE PADS are NOT ORIGINAL but with these interchangeable.

CODICE	IMPIANTO	ASSE	SCALA	APPLICAZIONI
<b>R-064</b>	DUNLOP	ANTERIORE	1:1	SKODA
CODICE COMPONENTI	N°	L(mm)	SERIE	
*	*	*	4 PEZZI	
*	*	*		
*	*	*		
*	*	*		
CODICE ACCESSORI	N°	L(mm)	NOTE	
*	*	*		
*	*	*		
*	*	*		
*	*	*		



Reference in this Catalogue to other manufactures and to part numbers and other descriptions are for identification purposes only, because the above DISC BRAKE PADS are NOT ORIGINAL but with these interchangeable.

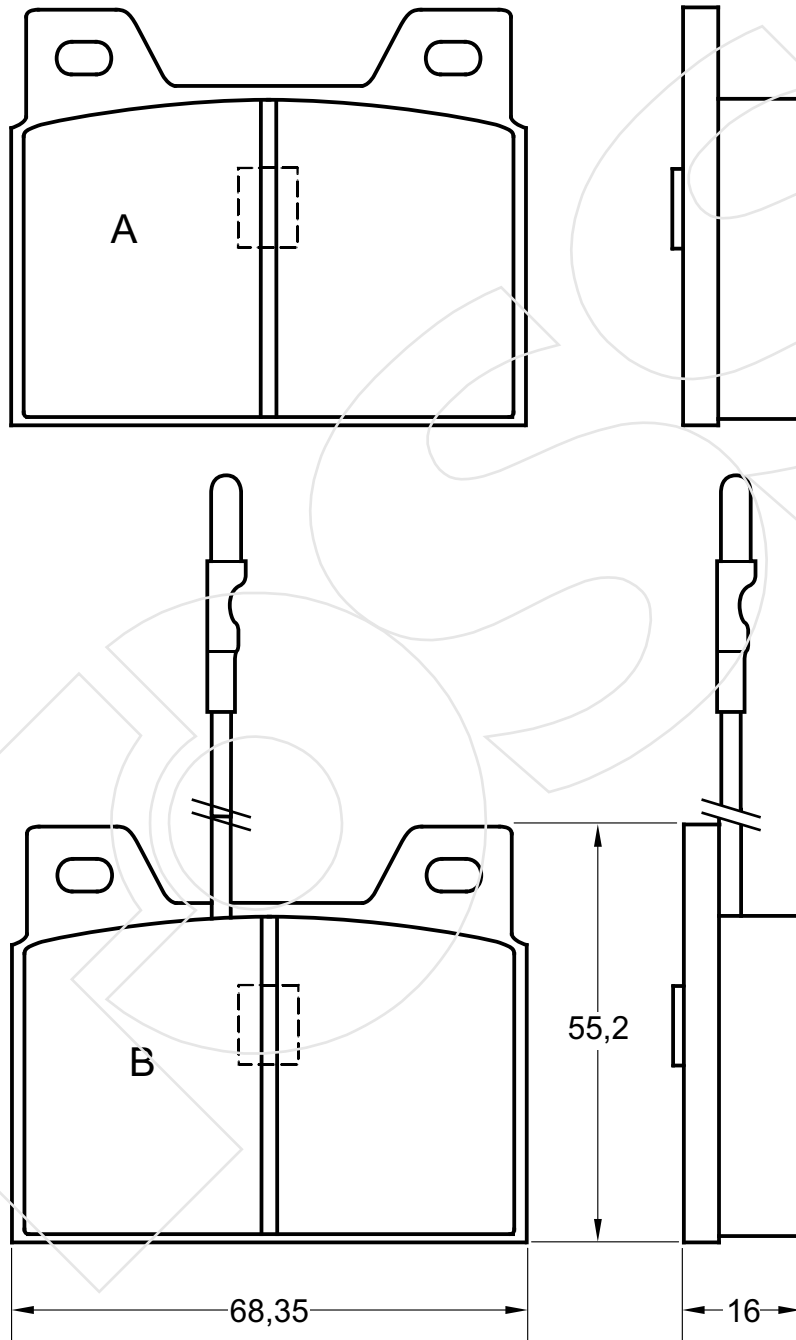
CODICE	IMPIANTO		ASSE	SCALA	APPLICAZIONI
<b>R-065</b>	BENDIX		ANTERIORE	1:1	LADA
CODICE COMPONENTI	N°	L(mm)	SERIE		
*	*	*	4 PEZZI		
*	*	*			
*	*	*			
*	*	*			
CODICE ACCESSORI	N°	L(mm)	NOTE		
*	*	*			
*	*	*			
*	*	*			
*	*	*			



Reference in this Catalogue to other manufactures and to part numbers and other descriptions are for identification purposes only, because the above DISC BRAKE PADS are NOT ORIGINAL but with these interchangeable.

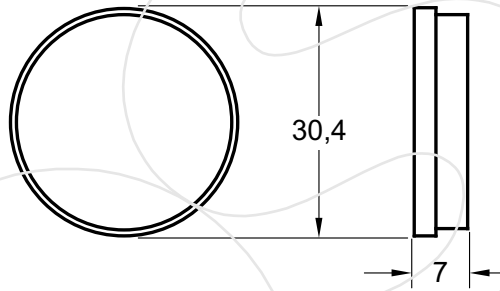


CODICE	IMPIANTO	ASSE	SCALA	APPLICAZIONI
<b>R-066</b>	GIRLING	POSTERIORE	1:1	PEUGEOT TALBOT
CODICE COMPONENTI	N°	L(mm)	SERIE	
*	*	*	2 PEZZI TIPO A	
F3001	2	110	2 PEZZI TIPO B	
*	*	*		
CODICE ACCESSORI	N°	L(mm)	NOTE	
*	*	*		
*	*	*		
*	*	*		
*	*	*		



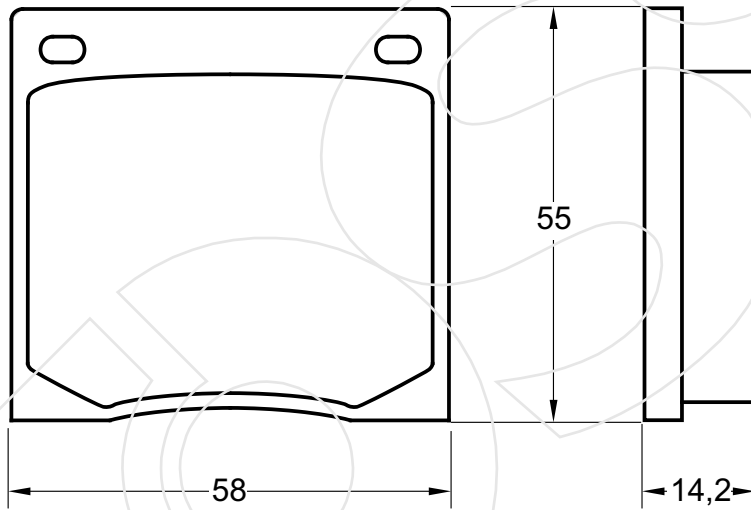
Reference in this Catalogue to other manufactures and to part numbers and other descriptions are for identification purposes only, because the above DISC BRAKE PADS are NOT ORIGINAL but with these interchangeable.

CODICE	IMPIANTO		ASSE	SCALA	APPLICAZIONI
<b>R-067</b>	CITROEN		FRENO A MANO	1:1	CITROEN
CODICE COMPONENTI	N°	L(mm)	SERIE		
*	*	*	4 PEZZI		
*	*	*			
*	*	*			
*	*	*			
CODICE ACCESSORI	N°	L(mm)	NOTE		
*	*	*			
*	*	*			
*	*	*			
*	*	*			



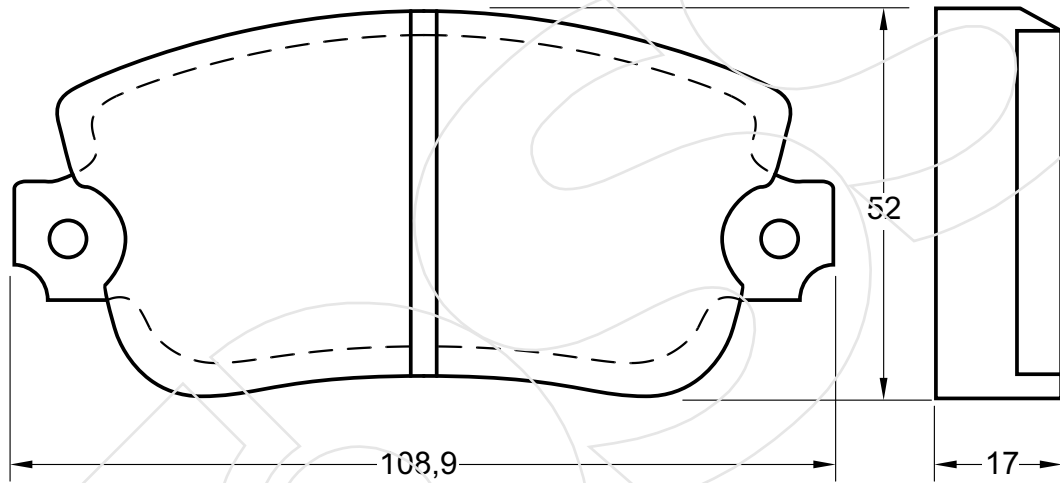
Reference in this Catalogue to other manufactures and to part numbers and other descriptions are for identification purposes only, because the above DISC BRAKE PADS are NOT ORIGINAL but with these interchangeable.

CODICE	IMPIANTO		ASSE	SCALA	APPLICAZIONI
<b>R-070</b>	SUMITOMO		ANTERIORE	1:1	NISSAN-DATSUN
CODICE COMPONENTI	N°	L(mm)	SERIE		
*	*	*	4 PEZZI		
*	*	*			
*	*	*			
*	*	*			
CODICE ACCESSORI	N°	L(mm)	NOTE		
*	*	*			
*	*	*			
*	*	*			



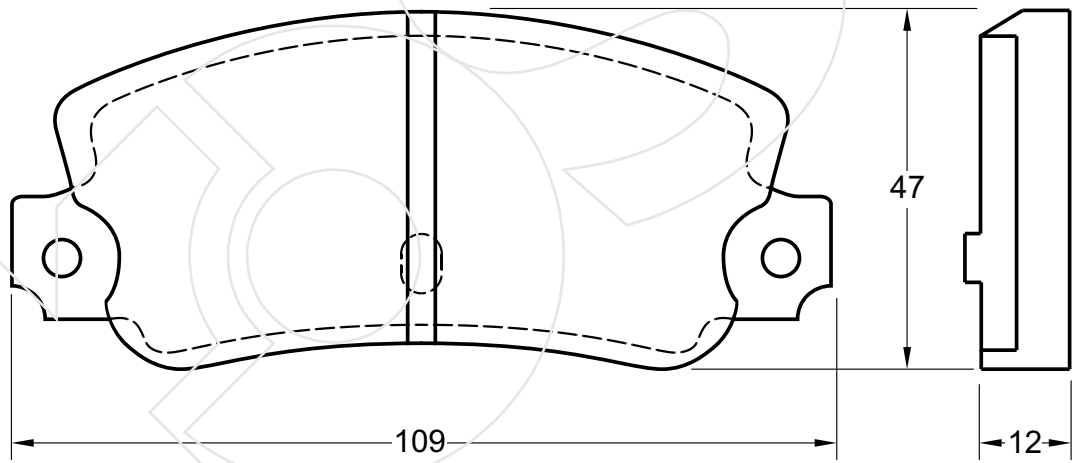
Reference in this Catalogue to other manufactures and to part numbers and other descriptions are for identification purposes only, because the above DISC BRAKE PADS are NOT ORIGINAL but with these interchangeable.

CODICE	IMPIANTO		ASSE	SCALA	APPLICAZIONI
<b>R-073</b>	BENDIX		ANTERIORE	1:1	LANCIA
CODICE COMPONENTI	N°	L(mm)	SERIE		
F3000	2	*	4 PEZZI		
*	*	*			
*	*	*			
*	*	*			
CODICE ACCESSORI	N°	L(mm)	NOTE		
*	*	*			
*	*	*			
*	*	*			
*	*	*			



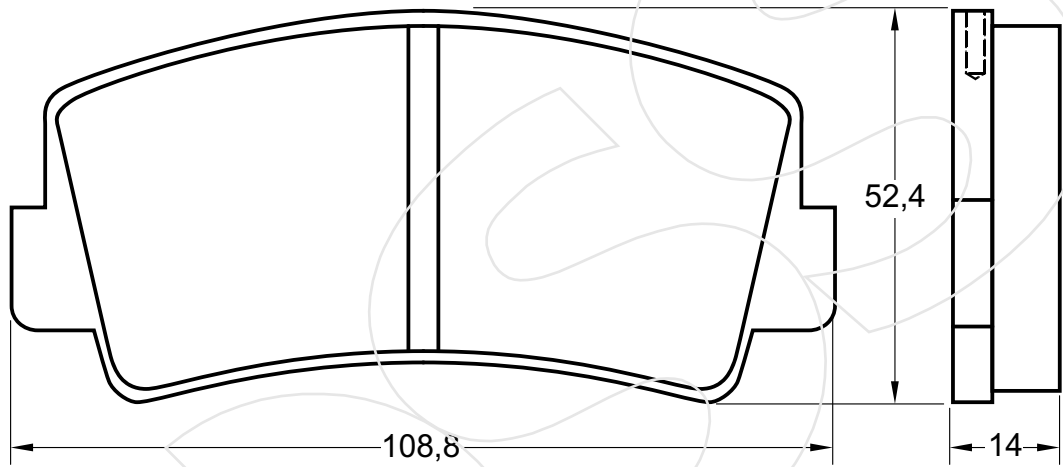
F3000

CODICE	IMPIANTO	ASSE	SCALA	APPLICAZIONI
<b>R-074</b>	BENDIX	POSTERIORE	1:1	LANCIA
CODICE COMPONENTI	N°	L(mm)	SERIE	
*	*	*	4 PEZZI	
*	*	*		
*	*	*		
*	*	*		
CODICE ACCESSORI	N°	L(mm)	NOTE	
*	*	*		
*	*	*		
*	*	*		
*	*	*		



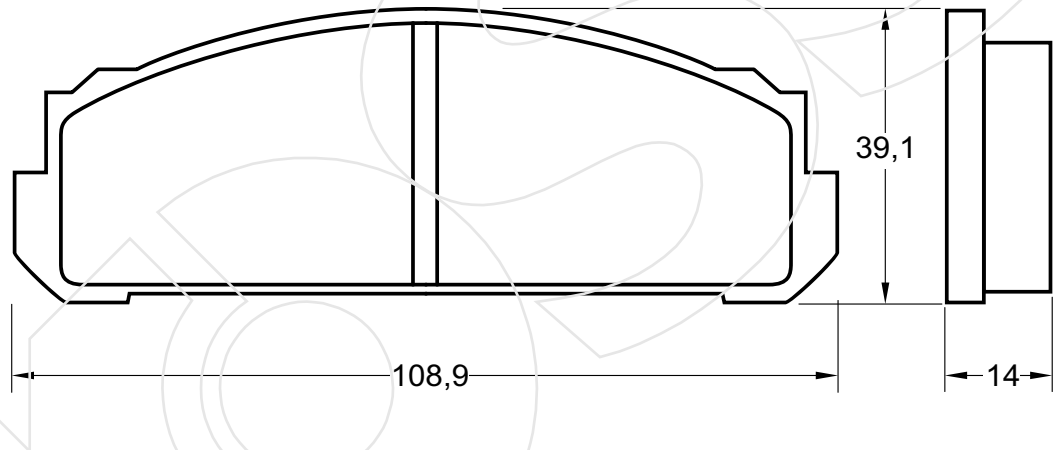
Reference in this Catalogue to other manufactures and to part numbers and other descriptions are for identification purposes only, because the above DISC BRAKE PADS are NOT ORIGINAL but with these interchangeable.

CODICE	IMPIANTO	ASSE	SCALA	APPLICAZIONI
<b>R-075</b>	SUMITOMO	ANTERIORE	1:1	ISUZU MAZDA
CODICE COMPONENTI	N°	L(mm)	SERIE	
*	*	*	4 PEZZI	
*	*	*		
*	*	*		
*	*	*		
CODICE ACCESSORI	N°	L(mm)	NOTE	
*	*	*		
*	*	*		
*	*	*		
*	*	*		



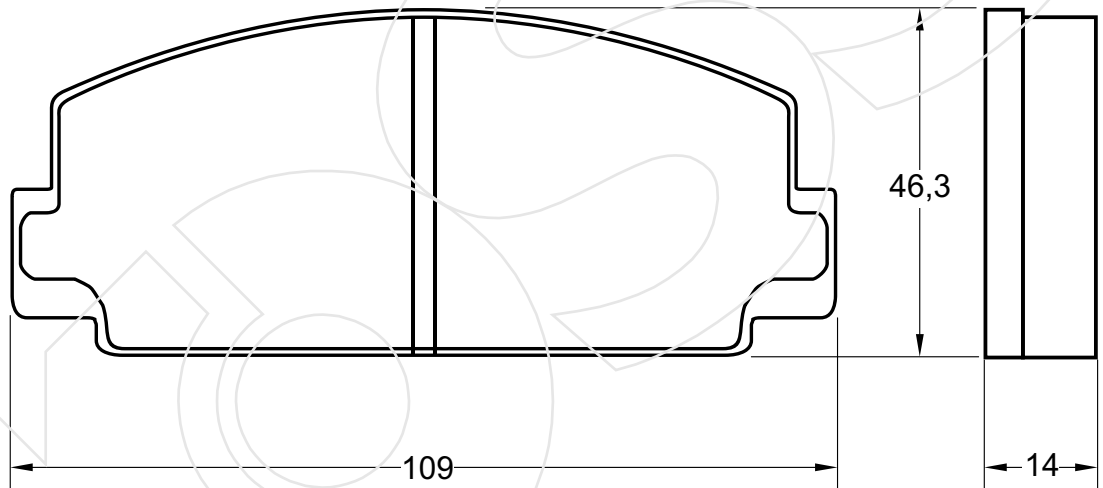
Reference in this Catalogue to other manufactures and to part numbers and other descriptions are for identification purposes only, because the above DISC BRAKE PADS are NOT ORIGINAL but with these interchangeable.

CODICE	IMPIANTO		ASSE	SCALA	APPLICAZIONI
<b>R-076</b>	BENDIX		ANTERIORE	1:1	DAIHATSU NISSAN.DATSUN TOYOTA
CODICE COMPONENTI	N°	L(mm)	SERIE		
*	*	*	4 PEZZI		
*	*	*			
*	*	*			
*	*	*			
CODICE ACCESSORI	N°	L(mm)	NOTE		
*	*	*			
*	*	*			
*	*	*			
*	*	*			



Reference in this Catalogue to other manufactures and to part numbers and other descriptions are for identification purposes only, because the above DISC BRAKE PADS are NOT ORIGINAL but with these interchangeable.

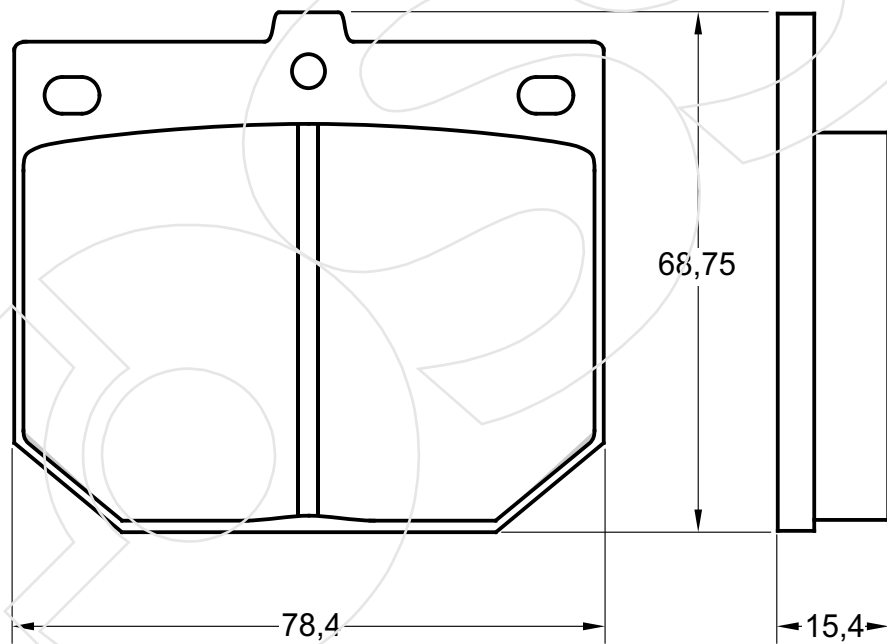
CODICE	IMPIANTO		ASSE	SCALA	APPLICAZIONI
<b>R-077</b>	AKEBONO		ANTERIORE	1:1	DAIHATSU TOYOTA
CODICE COMPONENTI	N°	L(mm)	SERIE		
*	*	*	4 PEZZI		
*	*	*			
*	*	*			
*	*	*			
CODICE ACCESSORI	N°	L(mm)	NOTE		
*	*	*			
*	*	*			
*	*	*			
*	*	*			



Reference in this Catalogue to other manufactures and to part numbers and other descriptions are for identification purposes only, because the above DISC BRAKE PADS are NOT ORIGINAL but with these interchangeable.

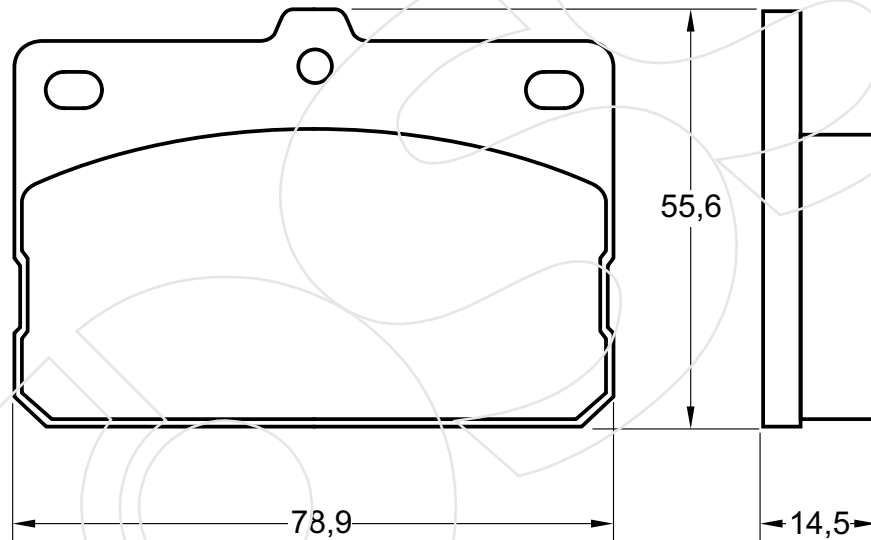


CODICE	IMPIANTO	ASSE	SCALA	APPLICAZIONI
<b>R-078</b>	SUMITOMO	ANTERIORE	1:1	NISSAN-DATSUN TOYOTA
CODICE COMPONENTI	N°	L(mm)	SERIE	
*	*	*	4 PEZZI	
*	*	*		
*	*	*		
*	*	*		
CODICE ACCESSORI	N°	L(mm)	NOTE	
*	*	*		
*	*	*		
*	*	*		
*	*	*		



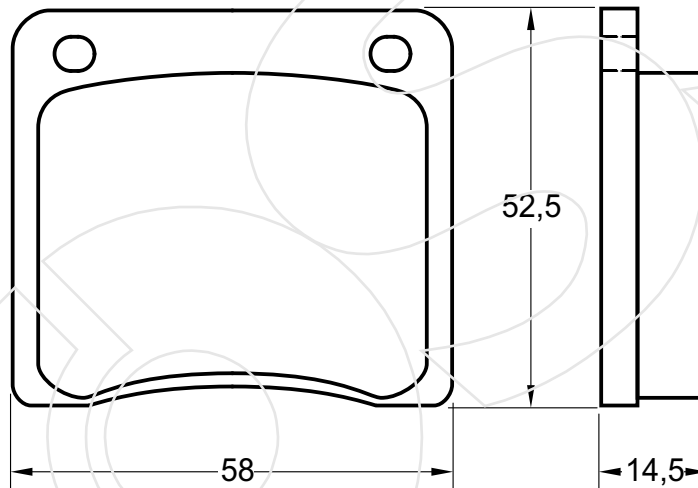
Reference in this Catalogue to other manufactures and to part numbers and other descriptions are for identification purposes only, because the above DISC BRAKE PADS are NOT ORIGINAL but with these interchangeable.

CODICE	IMPIANTO	ASSE	SCALA	APPLICAZIONI
<b>R-079</b>	SUMITOMO	ANTERIORE	1:1	NISSAN-DATSUN TOYOTA
CODICE COMPONENTI	N°	L(mm)	SERIE	
*	*	*	4 PEZZI	
*	*	*		
*	*	*		
*	*	*		
CODICE ACCESSORI	N°	L(mm)	NOTE	
*	*	*		
*	*	*		
*	*	*		
*	*	*		



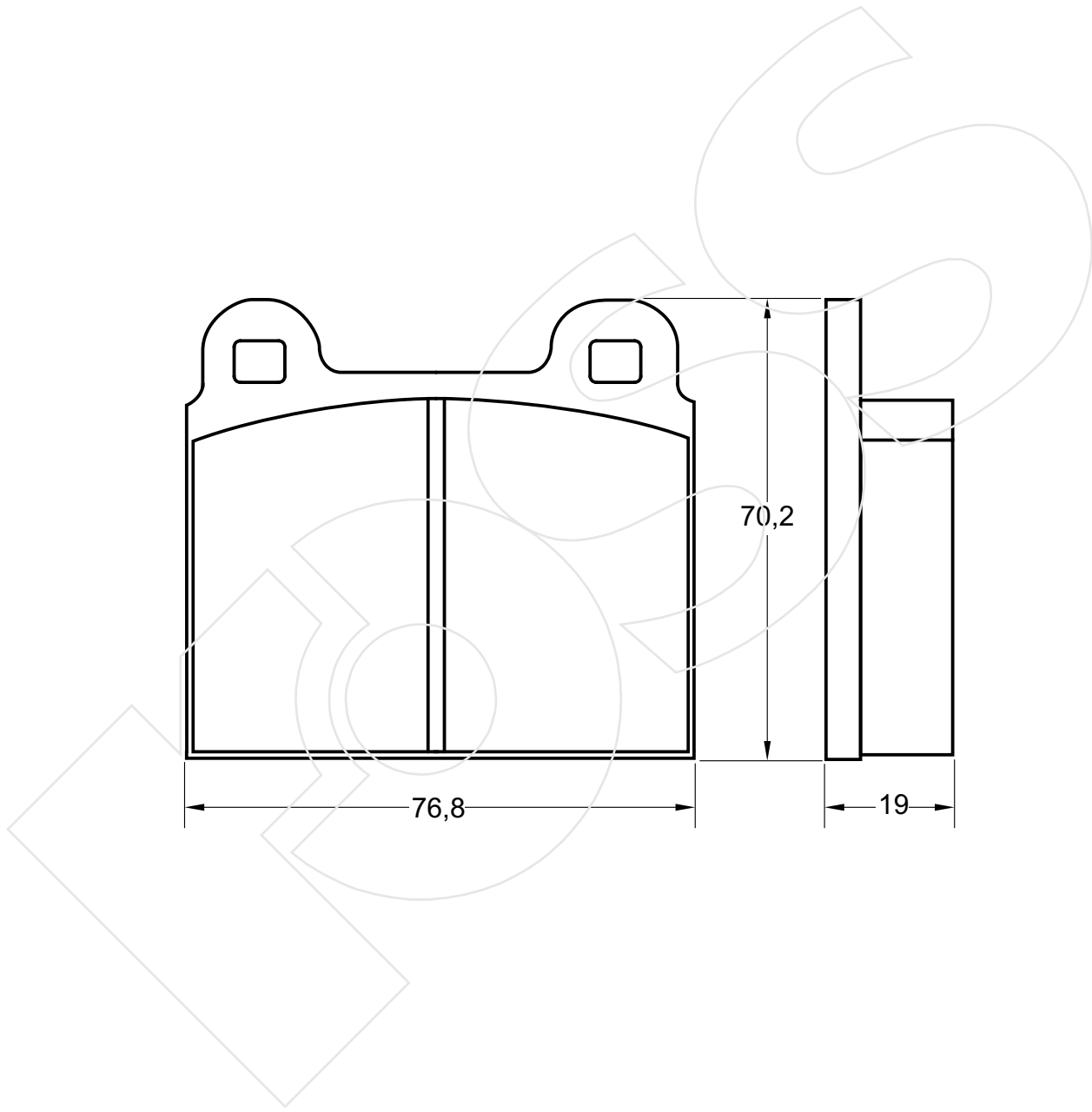
Reference in this Catalogue to other manufactures and to part numbers and other descriptions are for identification purposes only, because the above DISC BRAKE PADS are NOT ORIGINAL but with these interchangeable.

CODICE	IMPIANTO		ASSE	SCALA	APPLICAZIONI
<b>R-081</b>	SUMITOMO		ANTERIORE	1:1	HONDA
CODICE COMPONENTI	N°	L(mm)	SERIE		
*	*	*	4 PEZZI		
*	*	*			
*	*	*			
*	*	*			
CODICE ACCESSORI	N°	L(mm)	NOTE		
*	*	*			
*	*	*			
*	*	*			
*	*	*			



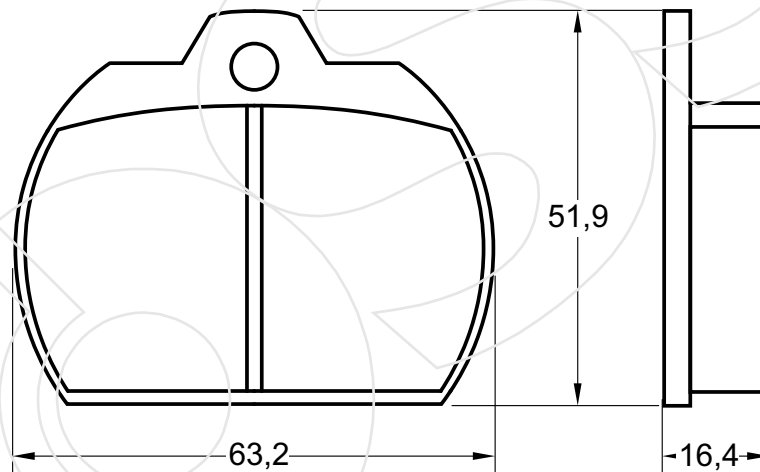
Reference in this Catalogue to other manufactures and to part numbers and other descriptions are for identification purposes only, because the above DISC BRAKE PADS are NOT ORIGINAL but with these interchangeable.

CODICE	IMPIANTO		ASSE	SCALA	APPLICAZIONI
<b>R-082</b>	ATE		ANTERIORE	1:1	VOLKSWAGEN
CODICE COMPONENTI	N°	L(mm)	SERIE		
*	*	*	4 PEZZI		
*	*	*			
*	*	*			
*	*	*			
CODICE ACCESSORI	N°	L(mm)	NOTE		
*	*	*			
*	*	*			
*	*	*			
*	*	*			



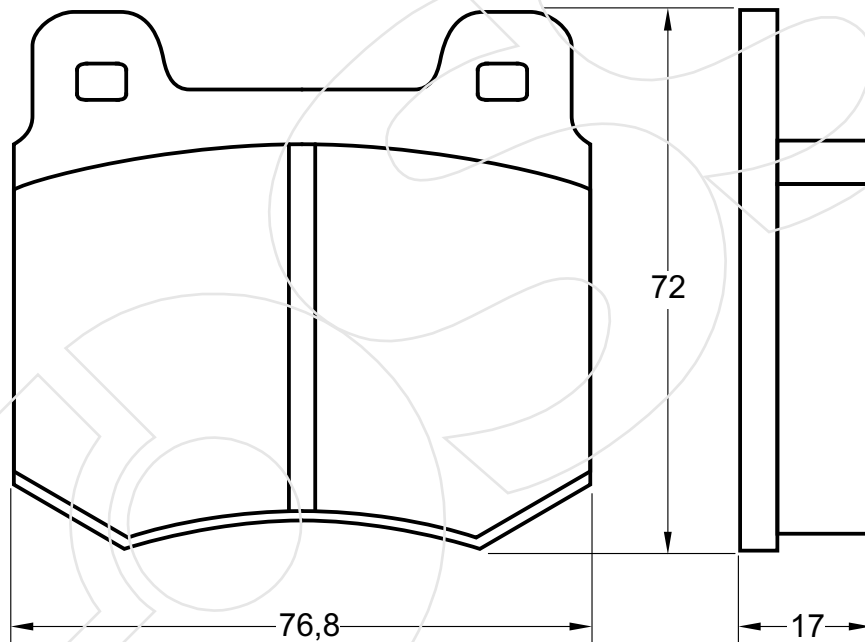
Reference in this Catalogue to other manufactures and to part numbers and other descriptions are for identification purposes only, because the above DISC BRAKE PADS are NOT ORIGINAL but with these interchangeable.

CODICE	IMPIANTO	ASSE	SCALA	APPLICAZIONI
<b>R-083</b>	GIRLING	ANTERIORE	1:1	VOLKSWAGEN
CODICE COMPONENTI	N°	L(mm)	SERIE	
*	*	*	4 PEZZI	
*	*	*		
*	*	*		
*	*	*		
CODICE ACCESSORI	N°	L(mm)	NOTE	
*	*	*		
*	*	*		
*	*	*		
*	*	*		



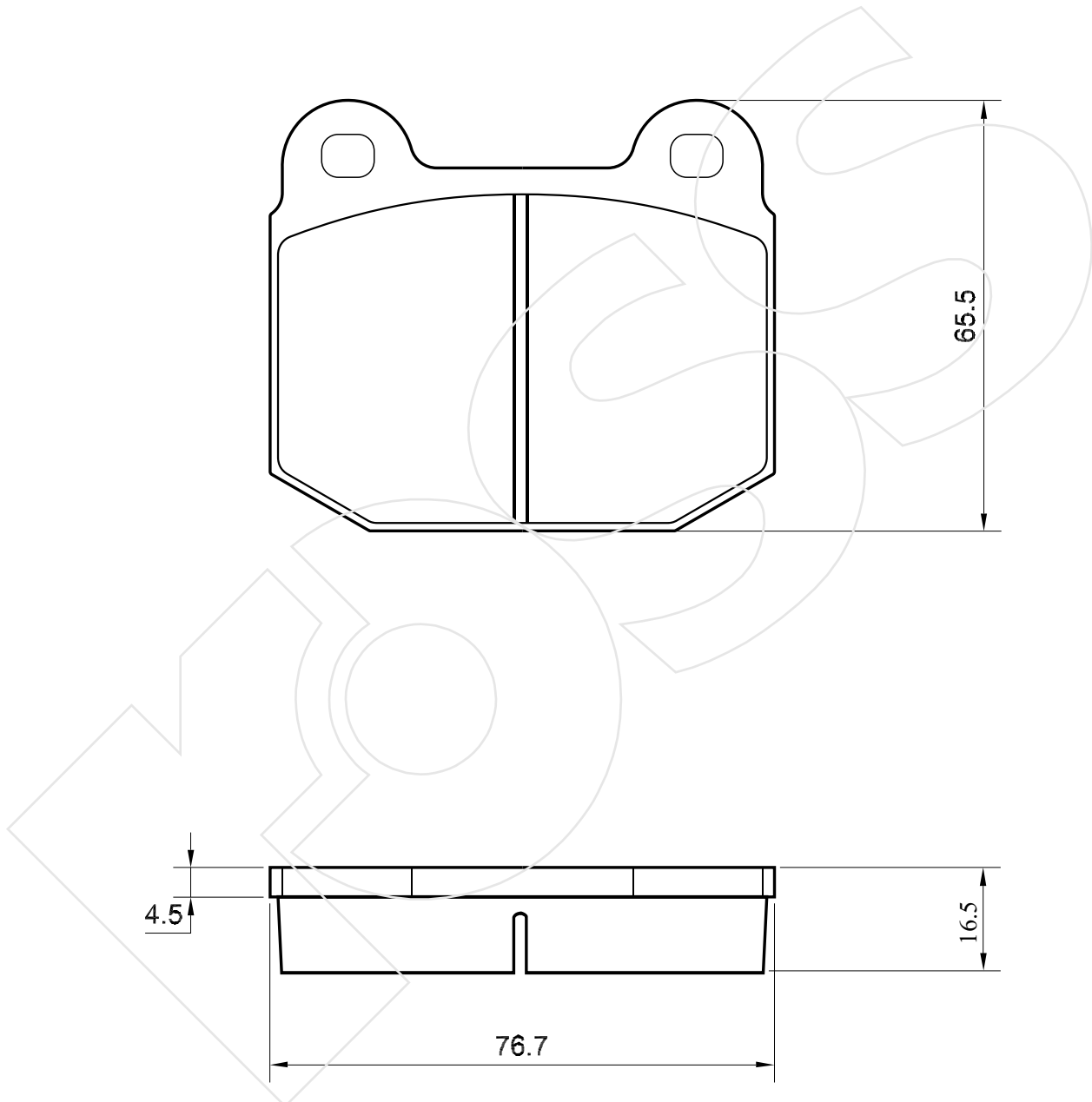
Reference in this Catalogue to other manufactures and to part numbers and other descriptions are for identification purposes only, because the above DISC BRAKE PADS are NOT ORIGINAL but with these interchangeable.

CODICE	IMPIANTO		ASSE	SCALA	APPLICAZIONI
<b>R-084</b>	ATE		ANTERIORE	1:1	AUDI FORD
CODICE COMPONENTI	N°	L(mm)	SERIE		
*	*	*	4 PEZZI		
*	*	*			
*	*	*			
*	*	*			
CODICE ACCESSORI	N°	L(mm)	NOTE		
*	*	*			
*	*	*			
*	*	*			
*	*	*			



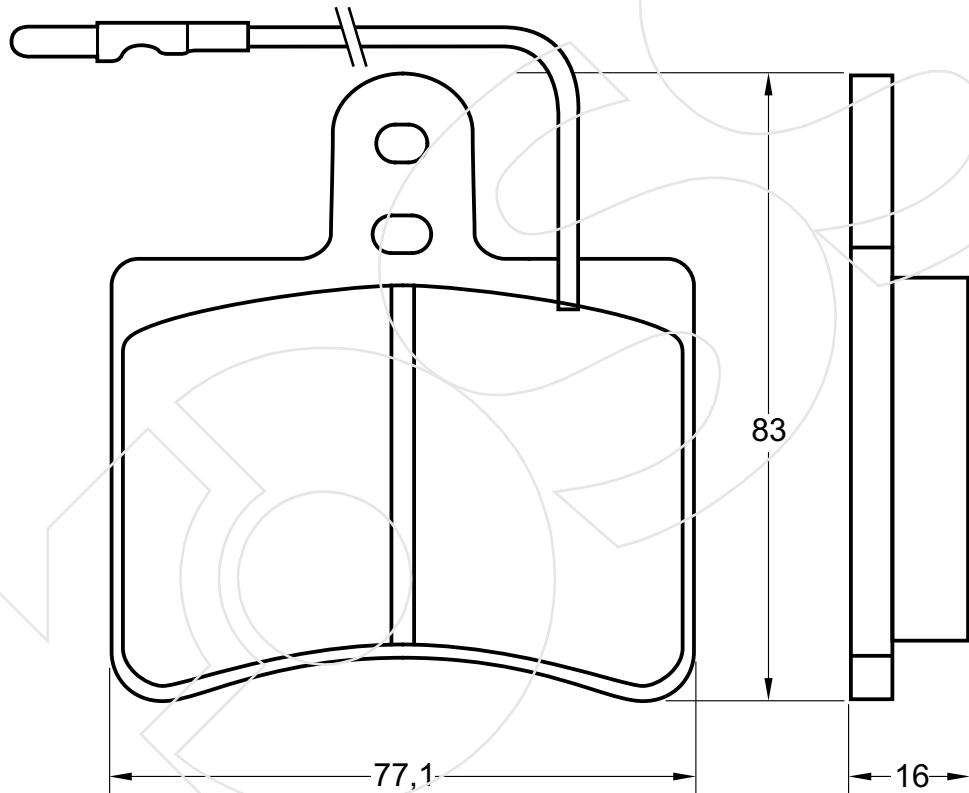
Reference in this Catalogue to other manufactures and to part numbers and other descriptions are for identification purposes only, because the above DISC BRAKE PADS are NOT ORIGINAL but with these interchangeable.

CODICE	IMPIANTO	ASSE	SCALA	APPLICAZIONI
<b>R-085</b>	ATE	ANTERIORE	100%	BMW OPEL VAUXHALL
CODICE COMPONENTI	N°	L(mm)	SERIE	
*	*	*	*	
*	*	*	*	
*	*	*	*	
OPTIONAL	N°	L(mm)	NOTE	
*	*	*	*	
*	*	*	*	
*	*	*	*	
*	*	*	*	



Reference in this Catalogue to other manufactures and to part numbers and other descriptions are for identification purposes only, because the above DISC BRAKE PADS are NOT ORIGINAL but with these interchangeable.

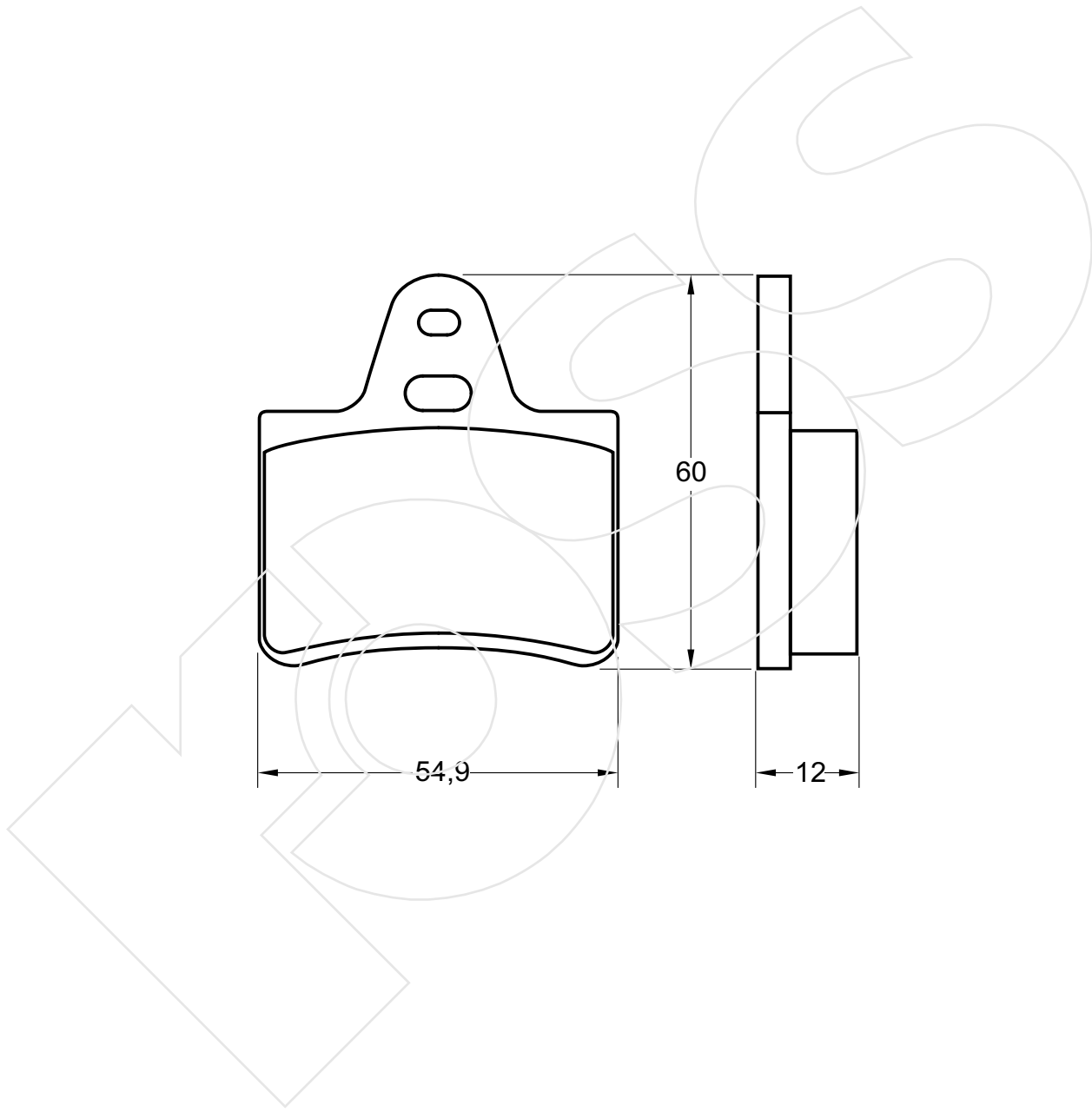
CODICE	IMPIANTO		ASSE	SCALA	APPLICAZIONI
<b>R-086</b>	CITROEN		ANTERIORE	1:1	CITROEN
CODICE COMPONENTI	N°	L(mm)	SERIE		
F3001	4	110	4 PEZZI		
*	*	*			
*	*	*			
*	*	*			
CODICE ACCESSORI	N°	L(mm)	NOTE		
*	*	*			
*	*	*			
*	*	*			
*	*	*			



Reference in this Catalogue to other manufactures and to part numbers and other descriptions are for identification purposes only, because the above DISC BRAKE PADS are NOT ORIGINAL but with these interchangeable.

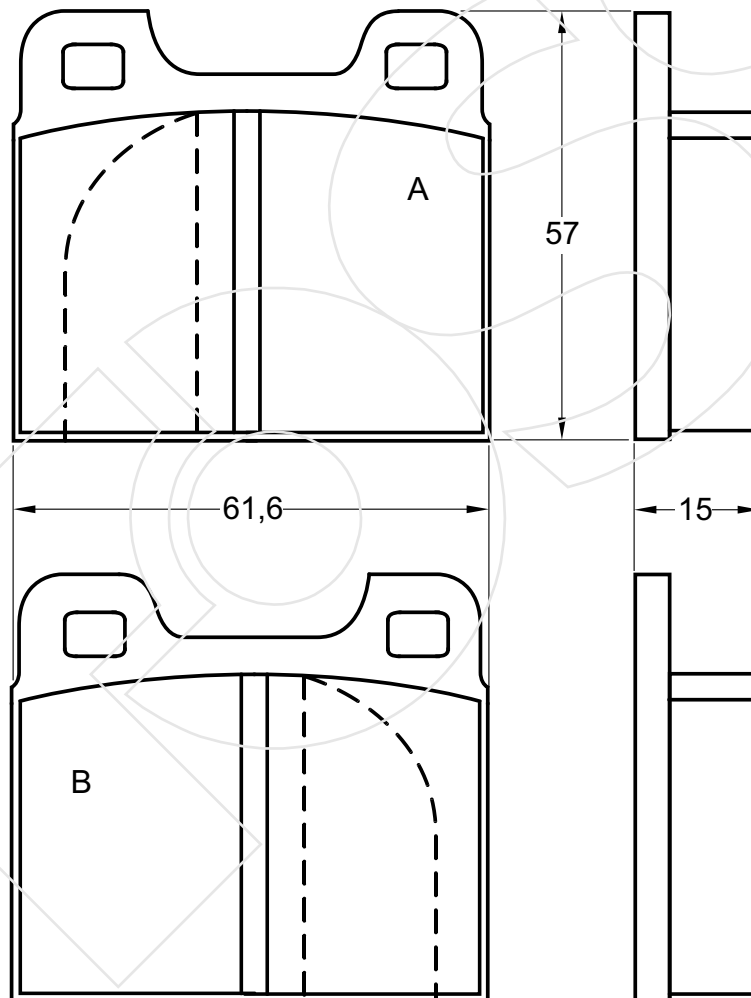


CODICE	IMPIANTO		ASSE	SCALA	APPLICAZIONI
<b>R-087</b>	CITROEN		ANTERIORE	1:1	CITROEN
CODICE COMPONENTI	N°	L(mm)	SERIE		
*	*	*	4 PEZZI		
*	*	*			
*	*	*			
*	*	*			
CODICE ACCESSORI	N°	L(mm)	NOTE		
*	*	*			
*	*	*			
*	*	*			
*	*	*			



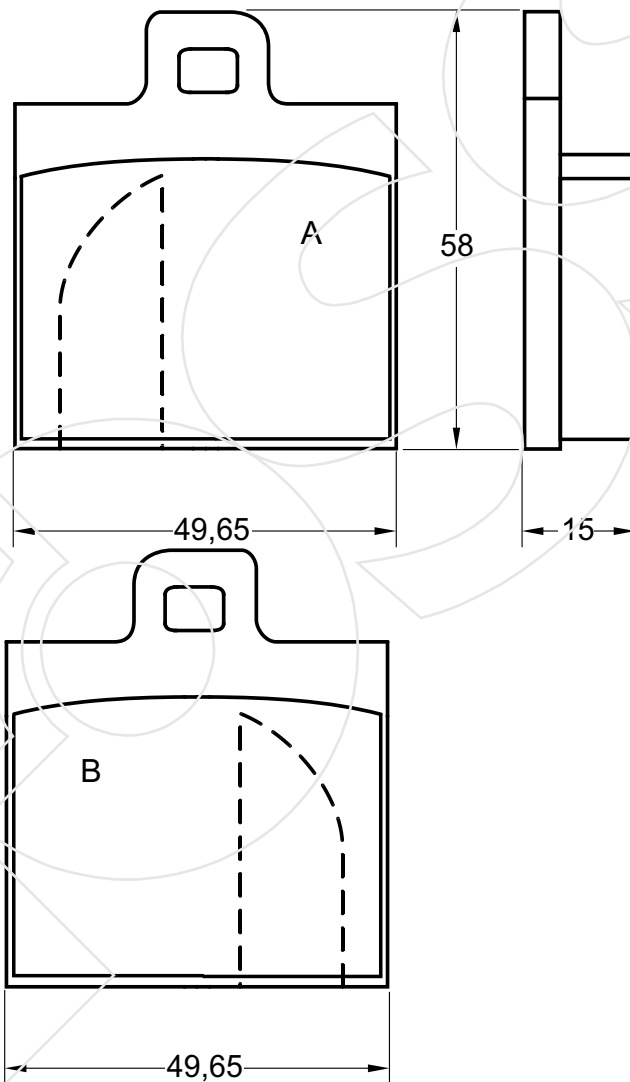
Reference in this Catalogue to other manufactures and to part numbers and other descriptions are for identification purposes only, because the above DISC BRAKE PADS are NOT ORIGINAL but with these interchangeable.

CODICE	IMPIANTO	ASSE	SCALA	APPLICAZIONI
<b>R-088</b>	ATE	ANTERIORE	1:1	ALFAROMEIO
CODICE COMPONENTI	N°	L(mm)	SERIE	
*	*	*	2 PEZZI TIPO A	
*	*	*	2 PEZZI TIPO B	
*	*	*		
CODICE ACCESSORI	N°	L(mm)	NOTE	
*	*	*		
*	*	*		
*	*	*		
*	*	*		



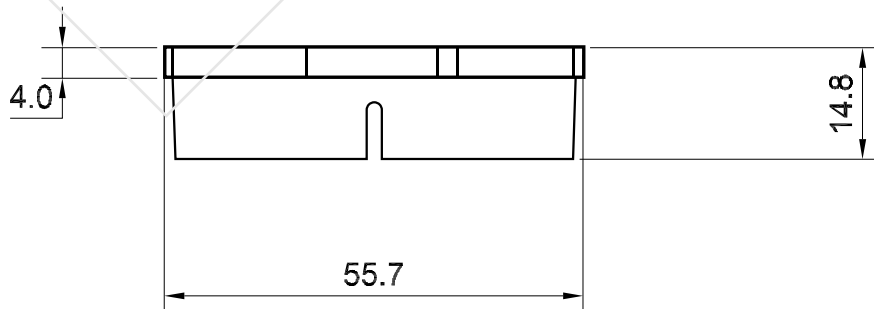
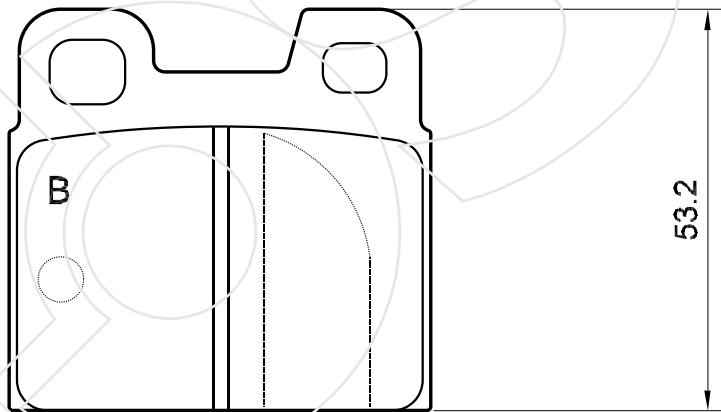
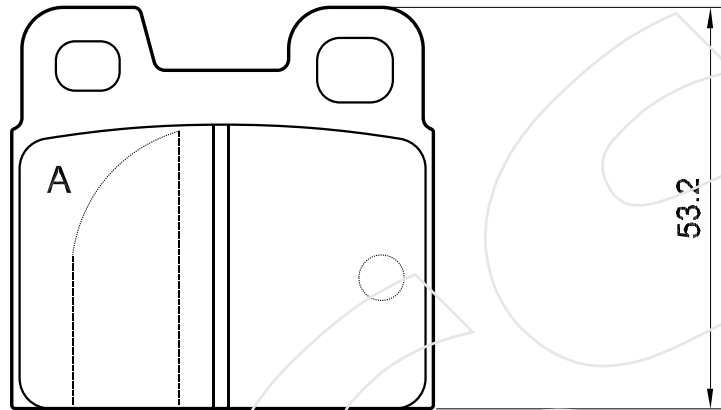
Reference in this Catalogue to other manufactures and to part numbers and other descriptions are for identification purposes only, because the above DISC BRAKE PADS are NOT ORIGINAL but with these interchangeable.

CODICE	IMPIANTO		ASSE	SCALA	APPLICAZIONI
<b>R-089</b>	ATE		POSTERIORE	1:1	ALFAROMEIO
CODICE COMPONENTI	N°	L(mm)	SERIE		
*	*	*	2 PEZZI TIPO A		
*	*	*	2 PEZZI TIPO B		
*	*	*			
CODICE ACCESSORI	N°	L(mm)	NOTE		
*	*		*		
*	*		*		
*	*		*		
*	*		*		



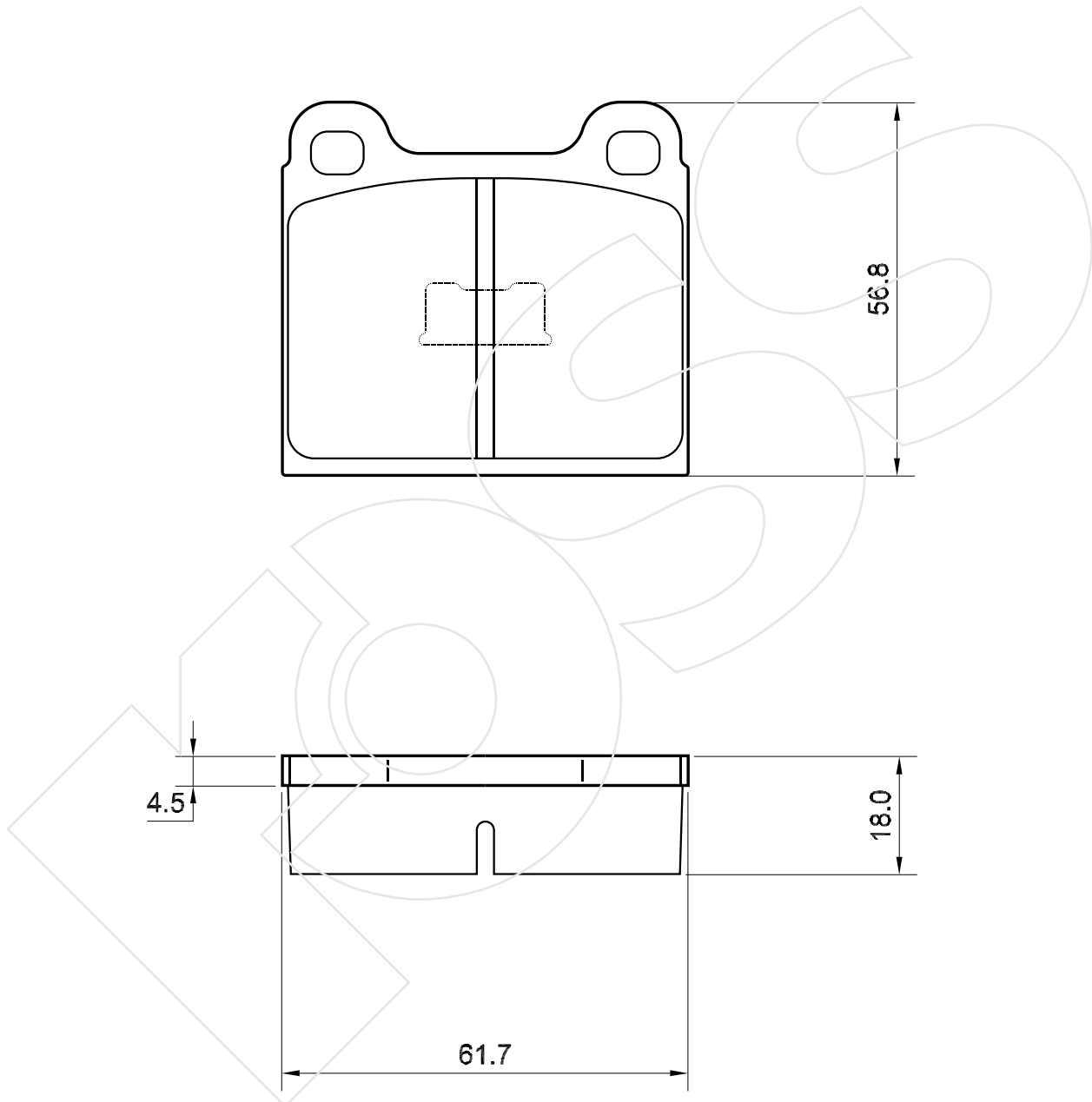
Reference in this Catalogue to other manufactures and to part numbers and other descriptions are for identification purposes only, because the above DISC BRAKE PADS are NOT ORIGINAL but with these interchangeable.

CODICE	IMPIANTO		ASSE	SCALA	APPLICAZIONI
<b>R-090</b>	ATE		POSTERIORE	100%	ALFA ROMEO
CODICE COMPONENTI	N°	L(mm)	SERIE		
*	*	*	2 PEZZI TIPO A		
*	*	*	2 PEZZI TIPO B		
*	*	*	*		
*	*	*	*		
OPTIONAL	N°	L(mm)	NOTE		
*	*	*	*		
*	*	*	*		
*	*	*	*		
*	*	*	*		



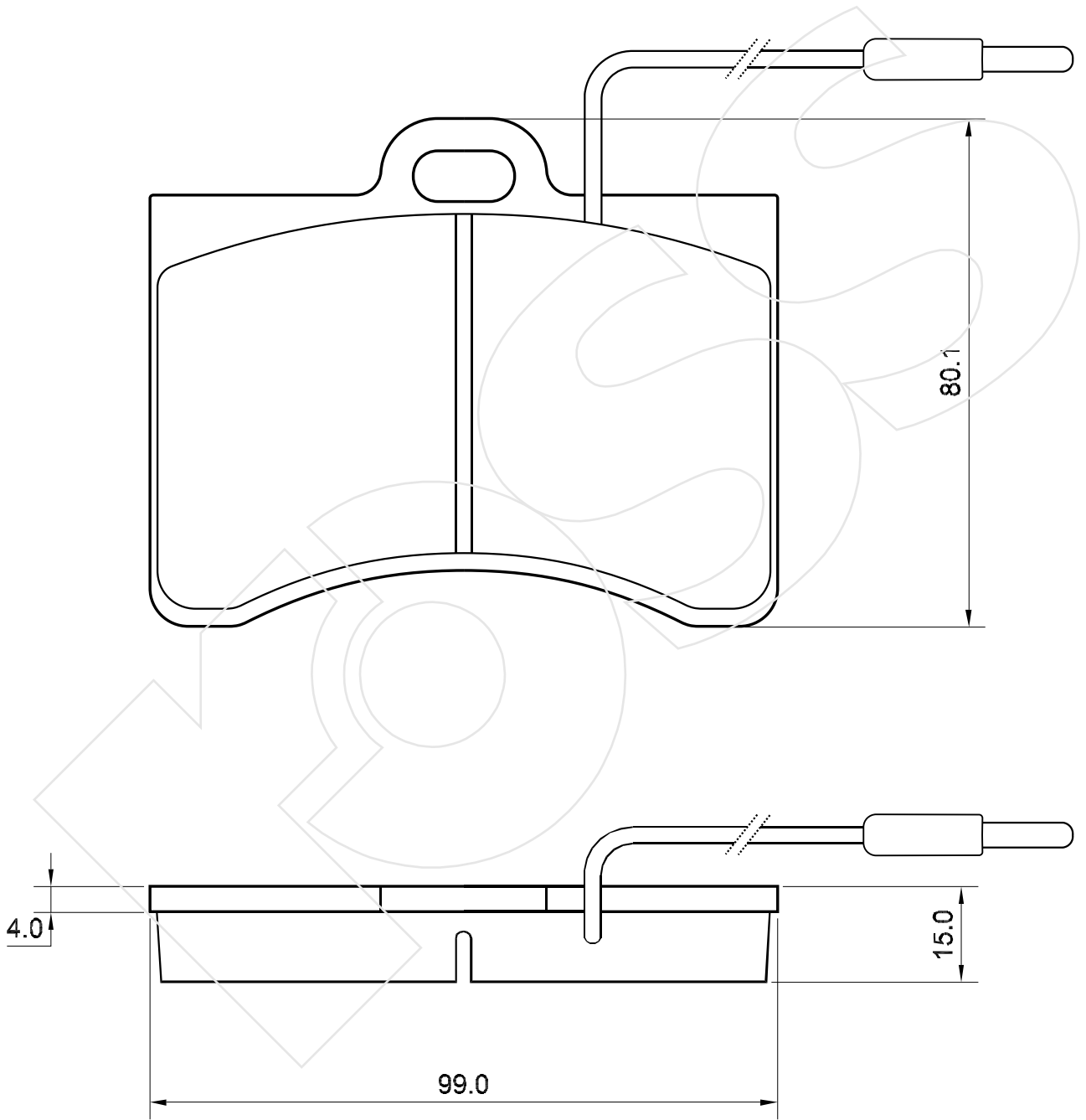
Reference in this Catalogue to other manufactures and to part numbers and other descriptions are for identification purposes only, because the above DISC BRAKE PADS are NOT ORIGINAL but with these interchangeable.

CODICE	IMPIANTO		ASSE	SCALA	APPLICAZIONI
<b>R-091</b>	ATE		ANTERIORE	100%	AUDI VOLKSWAGEN
CODICE COMPONENTI	N°	L(mm)	SERIE		
*	*	*	4 PEZZI		
*	*	*	*		
*	*	*	*		
*	*	*	*		
OPTIONAL	N°	L(mm)	NOTE		
*	*	*	*		
*	*	*	*		
*	*	*	*		
*	*	*	*		



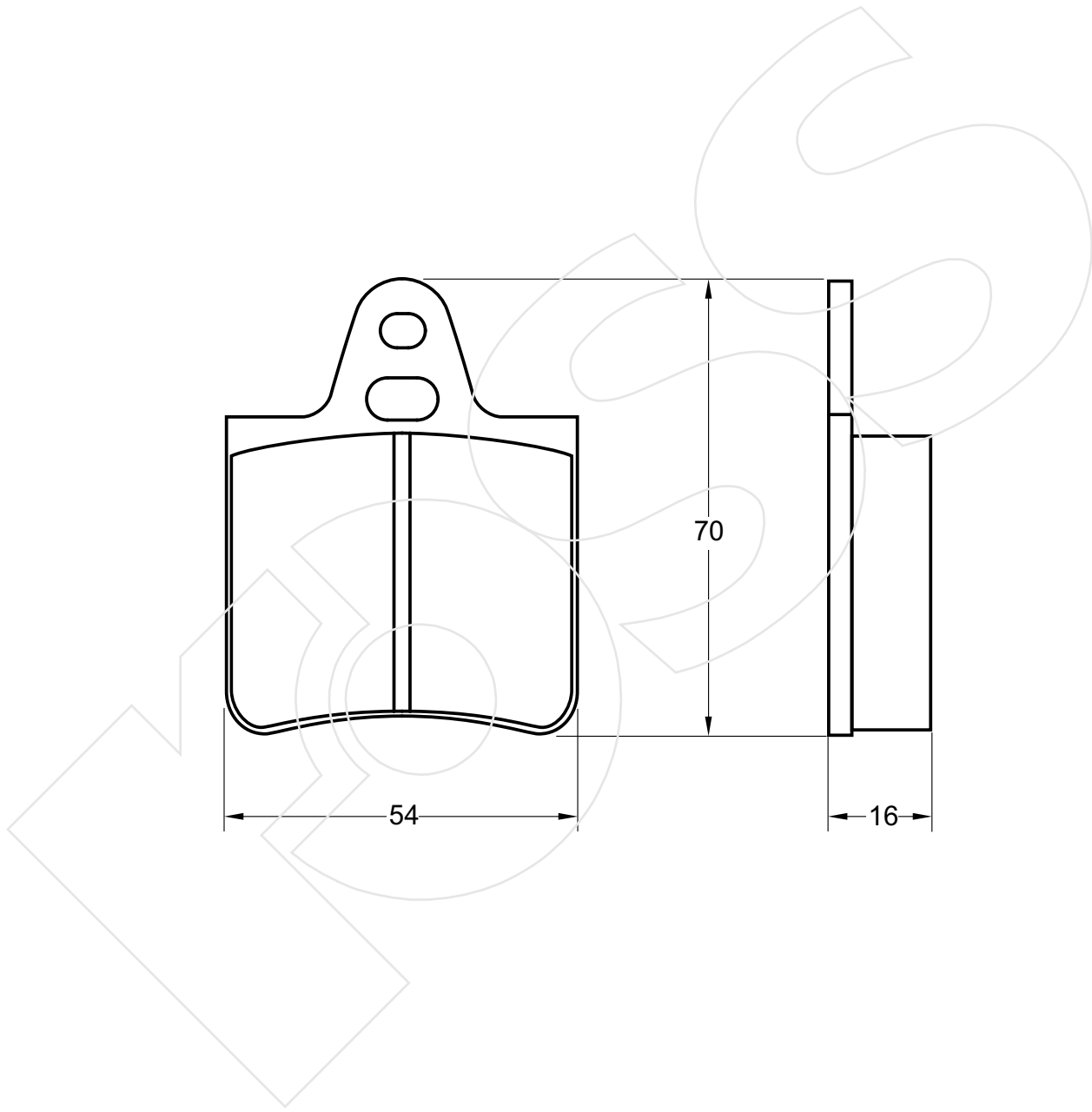
Reference in this Catalogue to other manufactures and to part numbers and other descriptions are for identification purposes only, because the above DISC BRAKE PADS are NOT ORIGINAL but with these interchangeable.

CODICE	IMPIANTO		ASSE	SCALA	APPLICAZIONI
<b>R-092</b>	CITROEN		ANTERIORE	100%	CITROEN
CODICE COMPONENTI	N°	L(mm)	SERIE		
F3004	4	180	4 PEZZI		
*	*	*	*		
*	*	*	*		
*	*	*	*		
OPTIONAL	N°	L(mm)	NOTE		
*	*	*	*		
*	*	*	*		
*	*	*	*		
*	*	*	*		



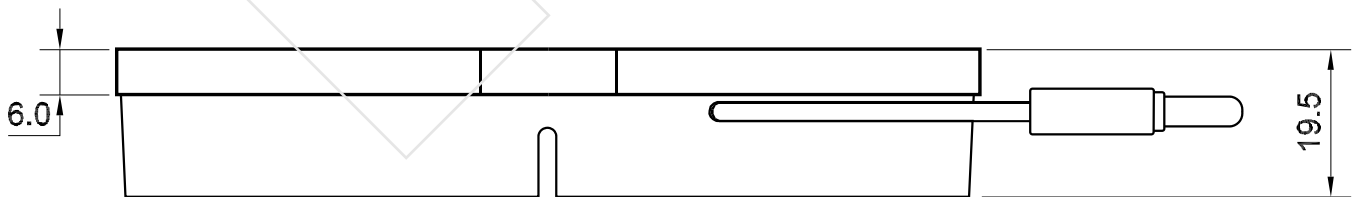
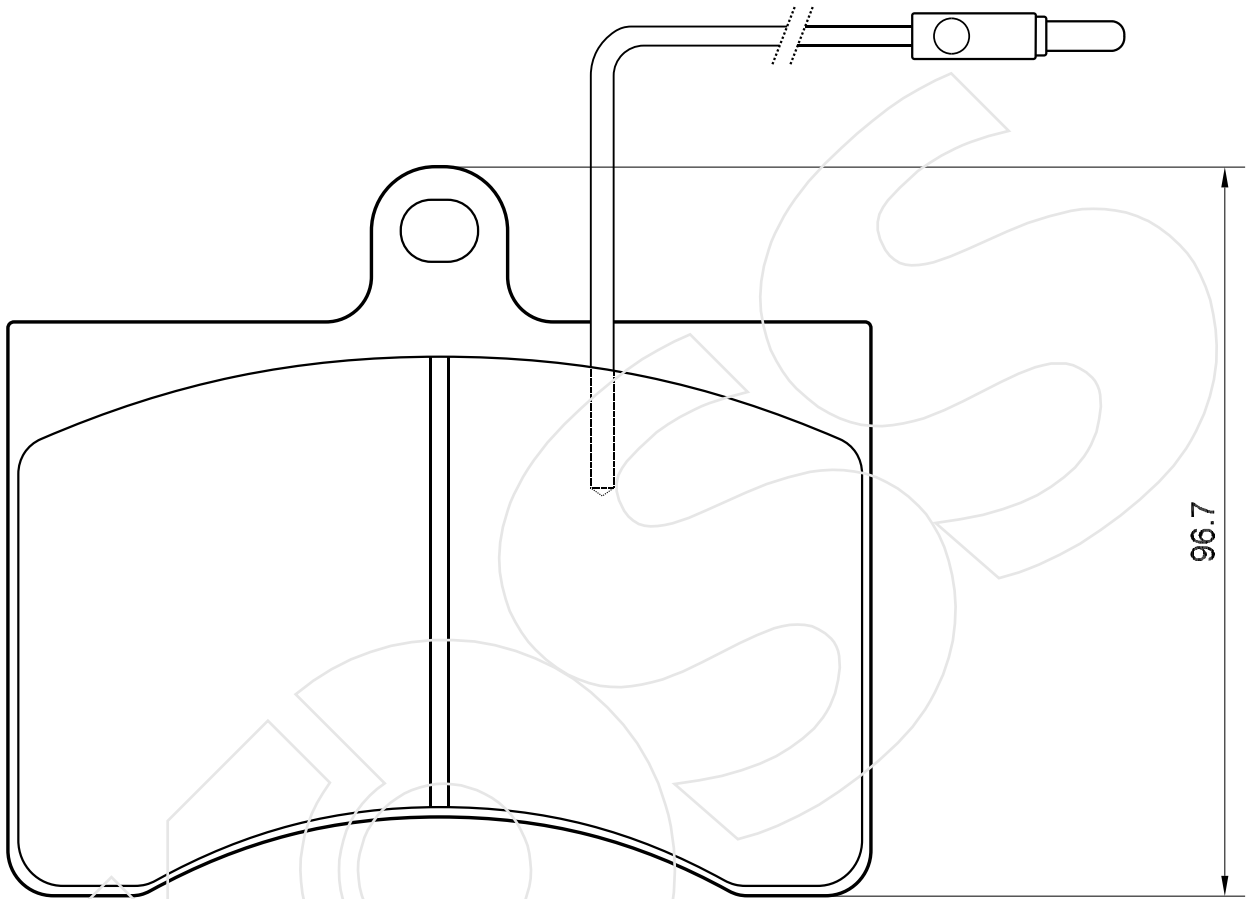
Reference in this Catalogue to other manufactures and to part numbers and other descriptions are for identification purposes only, because the above DISC BRAKE PADS are NOT ORIGINAL but with these interchangeable.

CODICE	IMPIANTO		ASSE	SCALA	APPLICAZIONI
<b>R-093</b>	CITROEN		ANTERIORE	100%	CITROEN
CODICE COMPONENTI	N°	L(mm)	SERIE		
*	*	*	4 PEZZI		
*	*	*	*		
*	*	*	*		
*	*	*	*		
OPTIONAL	N°	L(mm)	NOTE		
*	*	*	*		
*	*	*	*		
*	*	*	*		
*	*	*	*		



Reference in this Catalogue to other manufactures and to part numbers and other descriptions are for identification purposes only, because the above DISC BRAKE PADS are NOT ORIGINAL but with these interchangeable.

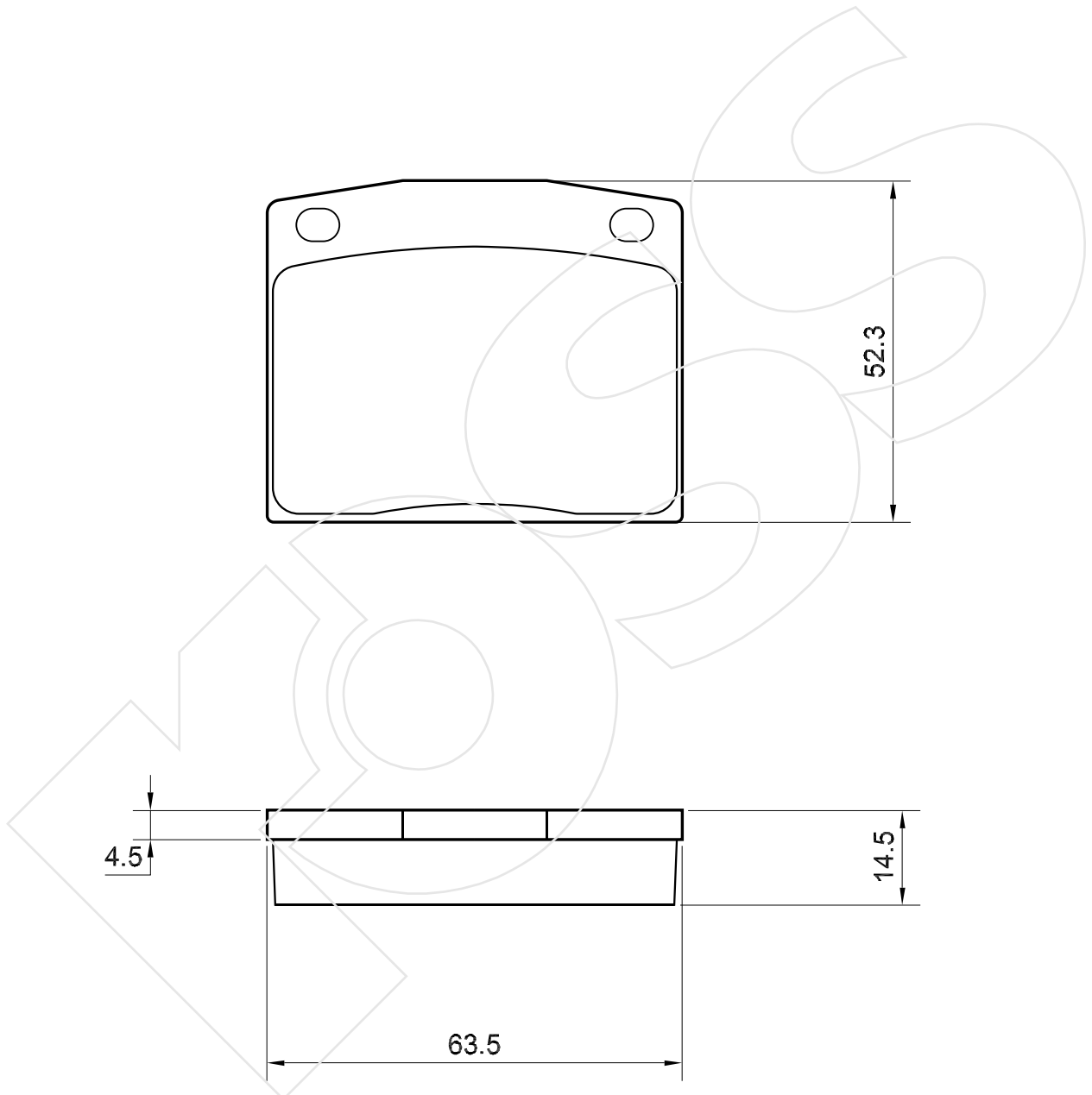
CODICE	IMPIANTO		ASSE	SCALA	APPLICAZIONI
<b>R-094</b>	CITROEN		ANTERIORE	100%	CITROEN FIAT
CODICE COMPONENTI	N°	L(mm)	SERIE		
F3005	4	175	4 PEZZI		
*	*	*	*		
*	*	*	*		
*	*	*	*		
CODICE ACCESSORI	N°	L(mm)	NOTE		
*	*	*			
*	*	*			
*	*	*			



Reference in this Catalogue to other manufactures and to part numbers and other descriptions are for identification purposes only, because the above DISC BRAKE PADS are NOT ORIGINAL but with these interchangeable.

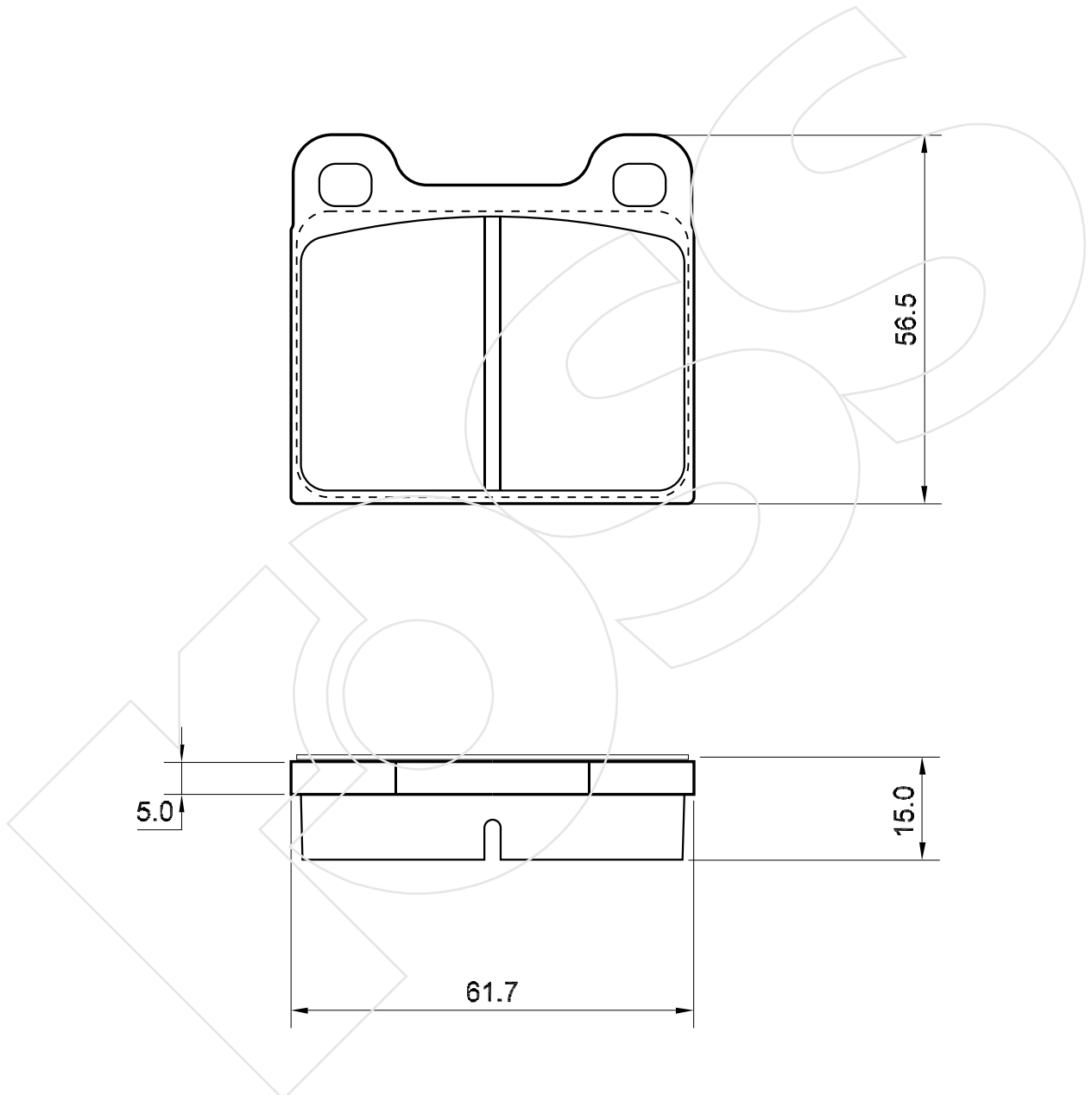


CODICE	IMPIANTO		ASSE	SCALA	APPLICAZIONI
<b>R-095</b>	SUMITOMO		ANTERIORE	100%	HONDA NISSAN DATSUN
CODICE COMPONENTI	N°	L(mm)	SERIE		
*	*	*	4 PEZZI		
*	*	*	*		
*	*	*	*		
*	*	*	*		
CODICE ACCESSORI	N°	L(mm)	NOTE		
*	*	*			
*	*	*			
*	*	*			
*	*	*			



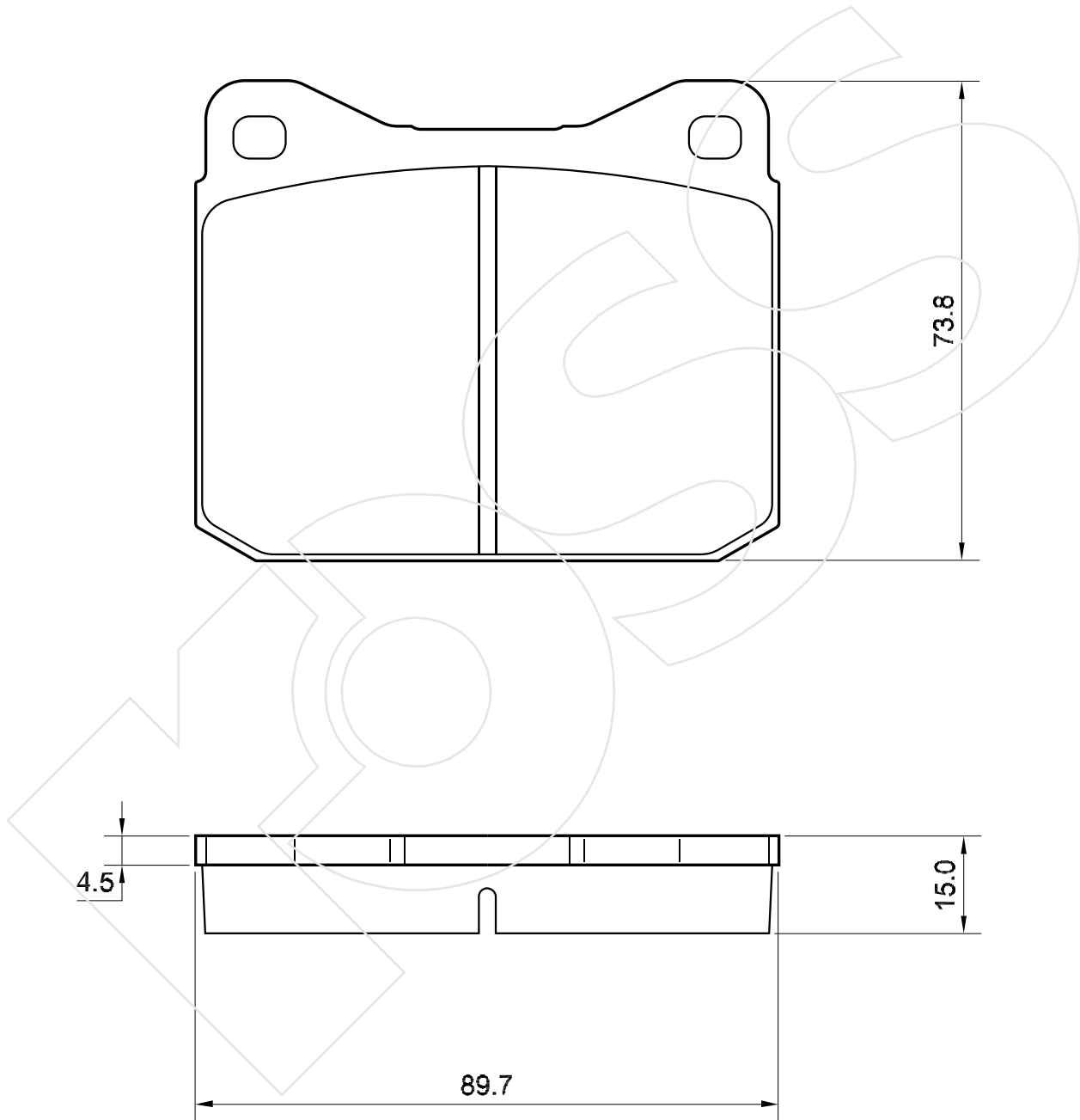
Reference in this Catalogue to other manufactures and to part numbers and other descriptions are for identification purposes only, because the above DISC BRAKE PADS are NOT ORIGINAL but with these interchangeable.

CODICE	IMPIANTO		ASSE	SCALA	APPLICAZIONI
<b>R-096</b>	ATE		POSTERIORE	100%	BMW MERCEDES OPEL VOLVO
CODICE COMPONENTI	N°	L(mm)	SERIE		
*	*	*	4 PEZZI		
*	*	*	*		
*	*	*	*		
*	*	*	*		
OPTIONAL	N°	L(mm)	NOTE		
*	*	*	*		
*	*	*	*		
*	*	*	*		
*	*	*	*		



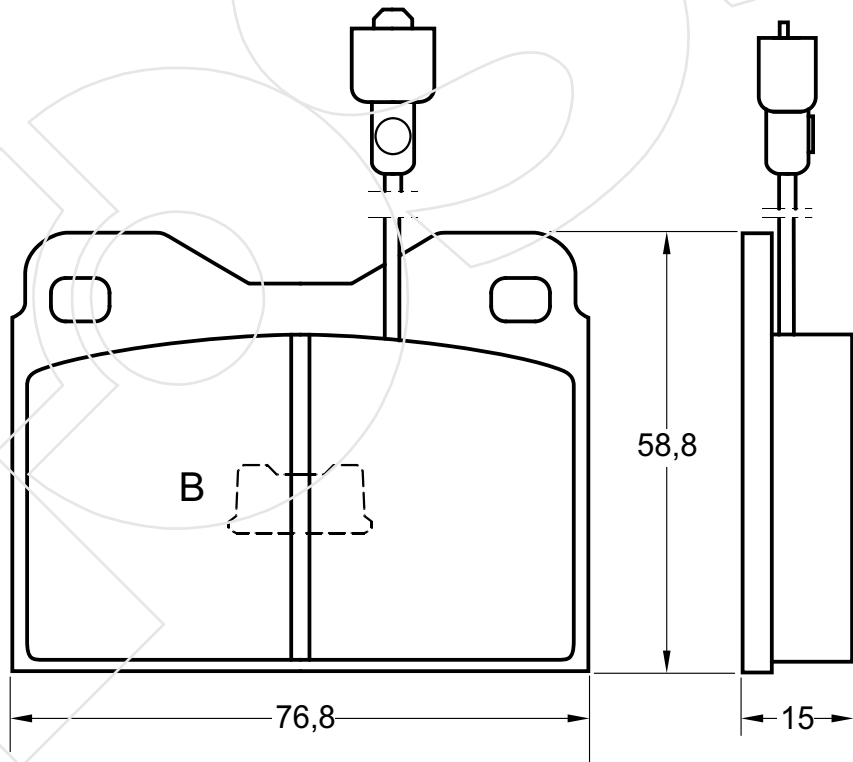
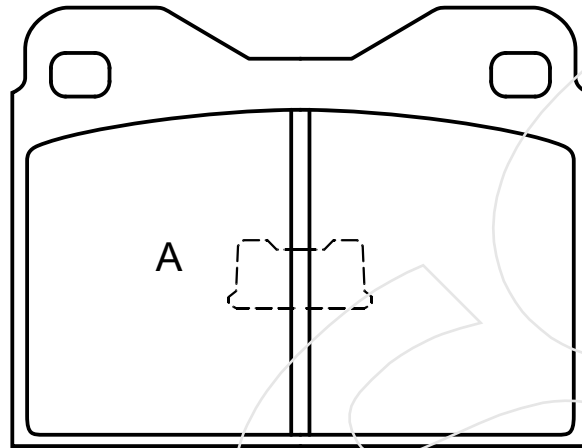
Reference in this Catalogue to other manufactures and to part numbers and other descriptions are for identification purposes only, because the above DISC BRAKE PADS are NOT ORIGINAL but with these interchangeable.

CODICE	IMPIANTO		ASSE	SCALA	APPLICAZIONI
<b>R-097</b>	ATE		ANTERIORE	100%	MERCEDES
CODICE COMPONENTI	N°	L(mm)	SERIE		
*	*	*	4 PEZZI		
*	*	*	*		
*	*	*	*		
*	*	*	*		
OPTIONAL	N°	L(mm)	NOTE		
*	*	*	*		
*	*	*	*		
*	*	*	*		
*	*	*	*		



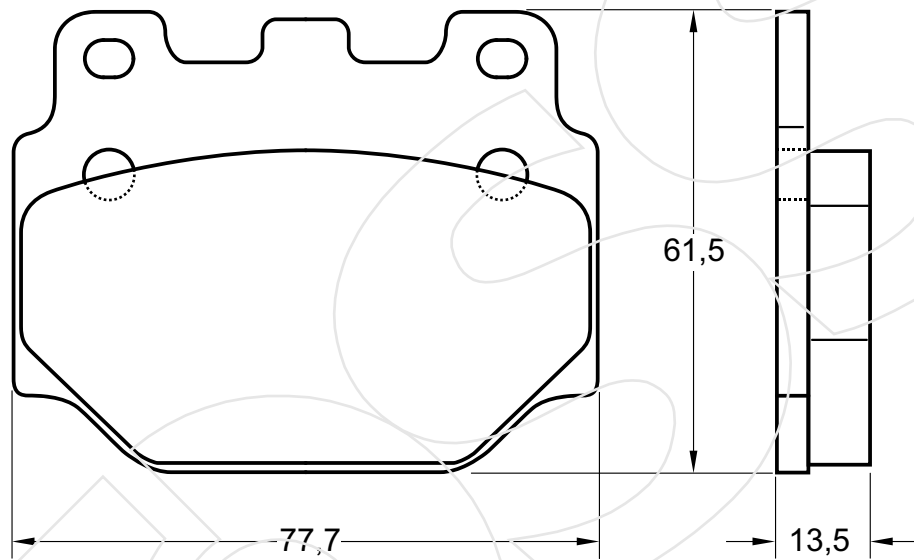
Reference in this Catalogue to other manufactures and to part numbers and other descriptions are for identification purposes only, because the above DISC BRAKE PADS are NOT ORIGINAL but with these interchangeable.

CODICE	IMPIANTO		ASSE	SCALA	APPLICAZIONI
<b>R-098</b>	ATE		ANTERIORE	1:1	TALBOT
CODICE COMPONENTI	N°	L(mm)	SERIE		
*	*	*	2 PEZZI TIPO A		
F3013	2	175	2 PEZZI TIPO B		
*	*	*			
CODICE ACCESSORI	N°	L(mm)	NOTE		
*	*	*	*		
*	*	*	*		
*	*	*	*		
*	*	*	*		



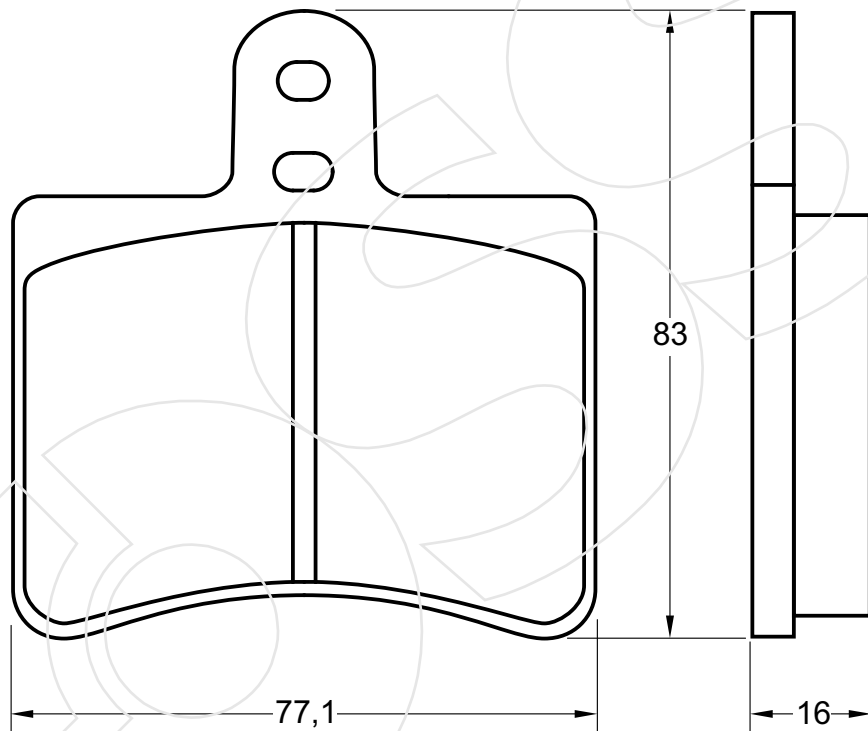
Reference in this Catalogue to other manufactures and to part numbers and other descriptions are for identification purposes only, because the above DISC BRAKE PADS are NOT ORIGINAL but with these interchangeable.

CODICE	IMPIANTO	ASSE	SCALA	APPLICAZIONI
<b>R-099</b>	SUMITOMO	ANTERIORE	1:1	TOYOTA
CODICE COMPONENTI	N°	L(mm)	SERIE	
*	*	*	4 PEZZI	
*	*	*		
*	*	*		
*	*	*		
CODICE ACCESSORI	N°	L(mm)	NOTE	
*	*	*		
*	*	*		
*	*	*		
*	*	*		



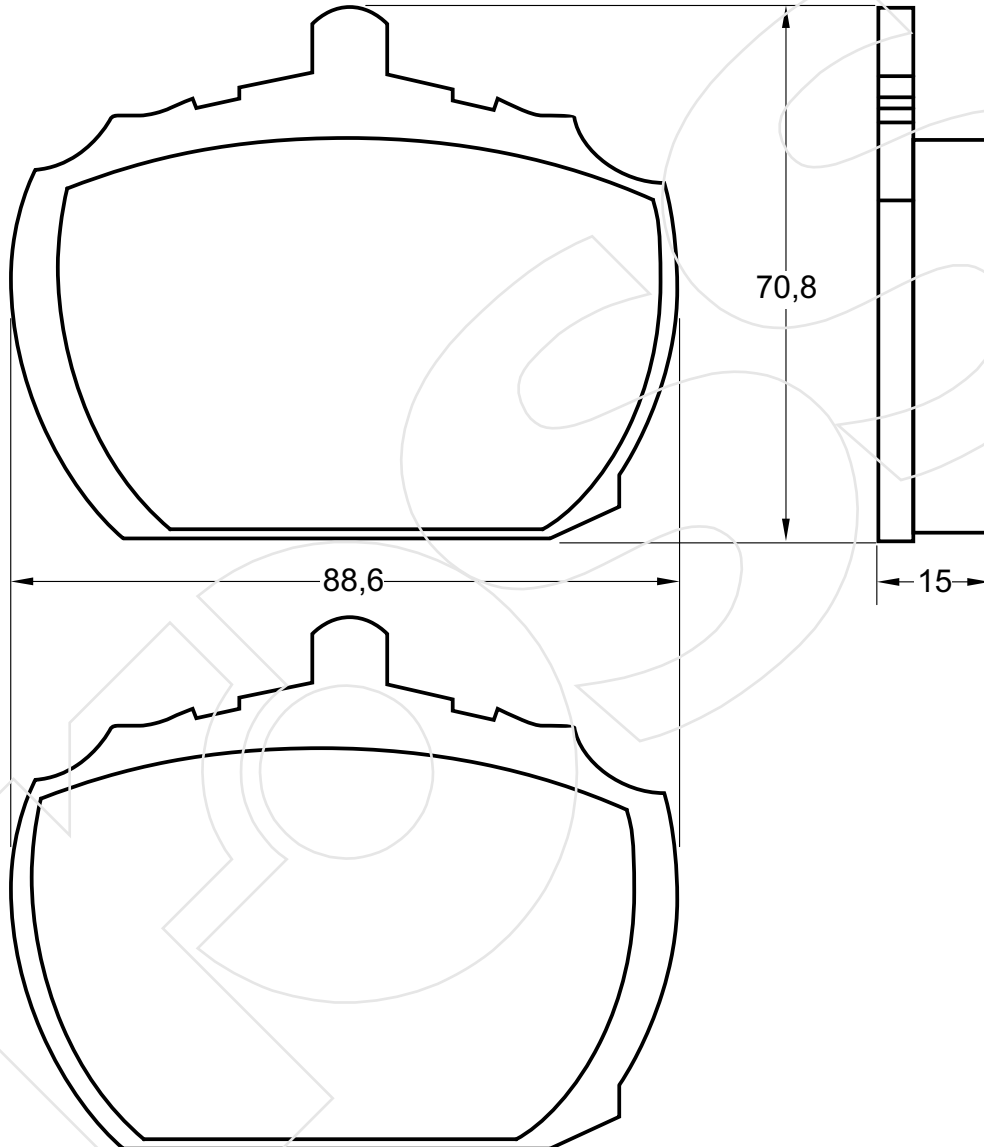
Reference in this Catalogue to other manufactures and to part numbers and other descriptions are for identification purposes only, because the above DISC BRAKE PADS are NOT ORIGINAL but with these interchangeable.

CODICE	IMPIANTO		ASSE	SCALA	APPLICAZIONI
<b>R-101</b>	CITROEN		POSTERIORE	1:1	FIAT
CODICE COMPONENTI	N°	L(mm)	SERIE		
*	*	*	4 PEZZI		
*	*	*			
*	*	*			
*	*	*			
CODICE ACCESSORI	N°	L(mm)	NOTE		
*	*	*			
*	*	*			
*	*	*			
*	*	*			



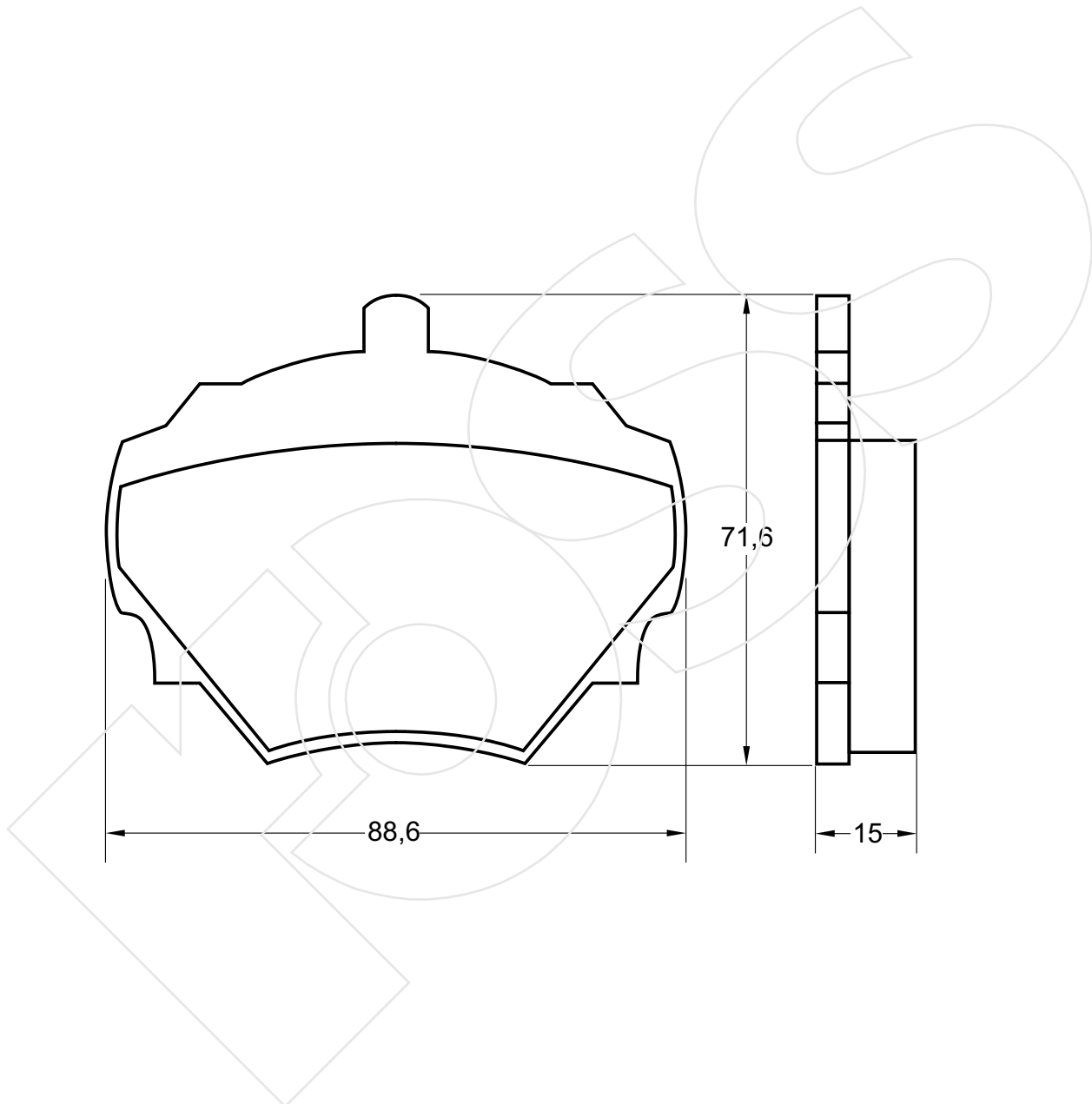
Reference in this Catalogue to other manufactures and to part numbers and other descriptions are for identification purposes only, because the above DISC BRAKE PADS are NOT ORIGINAL but with these interchangeable.

CODICE	IMPIANTO		ASSE	SCALA	APPLICAZIONI
<b>R-102</b>	LOCKEED		ANTERIORE	1:1	DAF FORD LEYLAND DAF ROVER VAUXHALL
CODICE COMPONENTI	N°	L(mm)	SERIE		
*	*	*	2 PEZZI TIPO A		
*	*	*	2 PEZZI TIPO B		
*	*	*			
CODICE ACCESSORI	N°	L(mm)	NOTE		
*	*	*			
*	*	*			
*	*	*			
*	*	*			



Reference in this Catalogue to other manufactures and to part numbers and other descriptions are for identification purposes only, because the above DISC BRAKE PADS are NOT ORIGINAL but with these interchangeable.

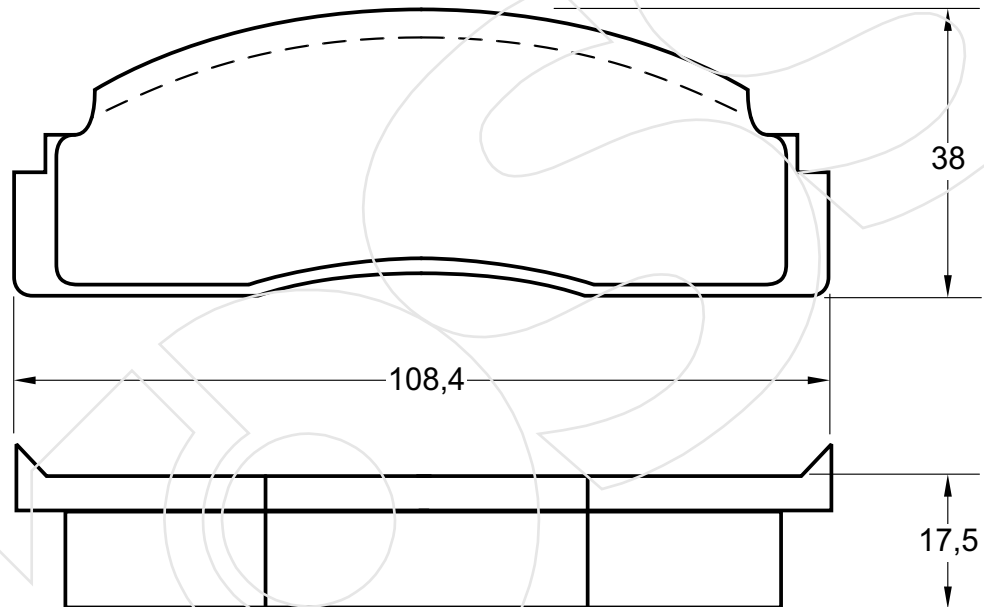
CODICE	IMPIANTO		ASSE	SCALA	APPLICAZIONI
<b>R-103</b>	LOCKEED		ANTERIORE/POSTERIORE	1:1	VAUXHALL
CODICE COMPONENTI	N°	L(mm)	SERIE		
*	*	*	4 PEZZI		
*	*	*			
*	*	*			
*	*	*			
CODICE ACCESSORI	N°	L(mm)	NOTE		
*	*	*			
*	*	*			
*	*	*			
*	*	*			



Reference in this Catalogue to other manufactures and to part numbers and other descriptions are for identification purposes only, because the above DISC BRAKE PADS are NOT ORIGINAL but with these interchangeable.

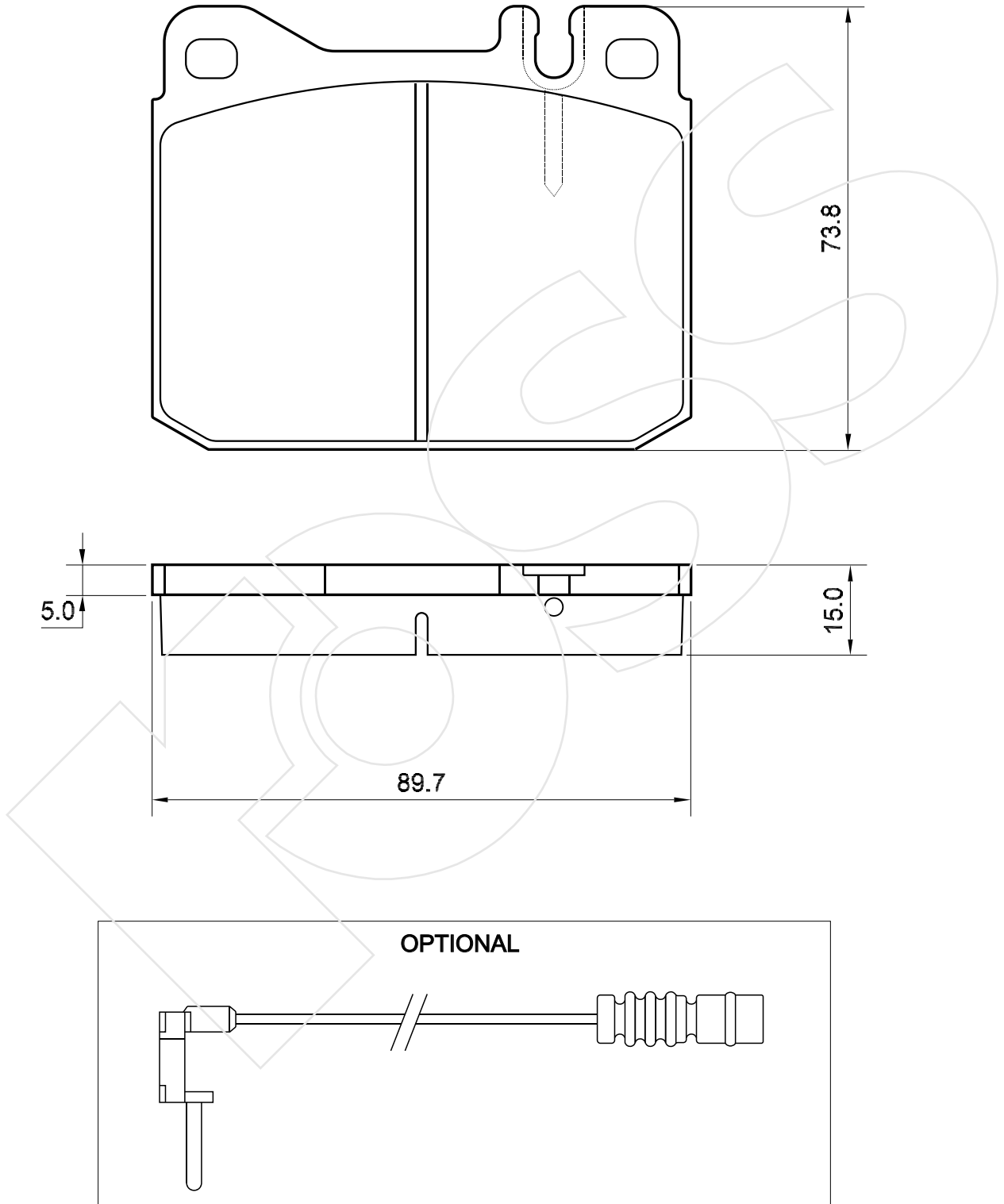


CODICE	IMPIANTO	ASSE	SCALA	APPLICAZIONI
<b>R-104</b>	BENDIX	ANTERIORE	1:1	FORD
CODICE COMPONENTI	N°	L(mm)	SERIE	
*	*	*	4 PEZZI	
*	*	*		
*	*	*		
*	*	*		
CODICE ACCESSORI	N°	L(mm)	NOTE	
*	*	*		
*	*	*		
*	*	*		
*	*	*		



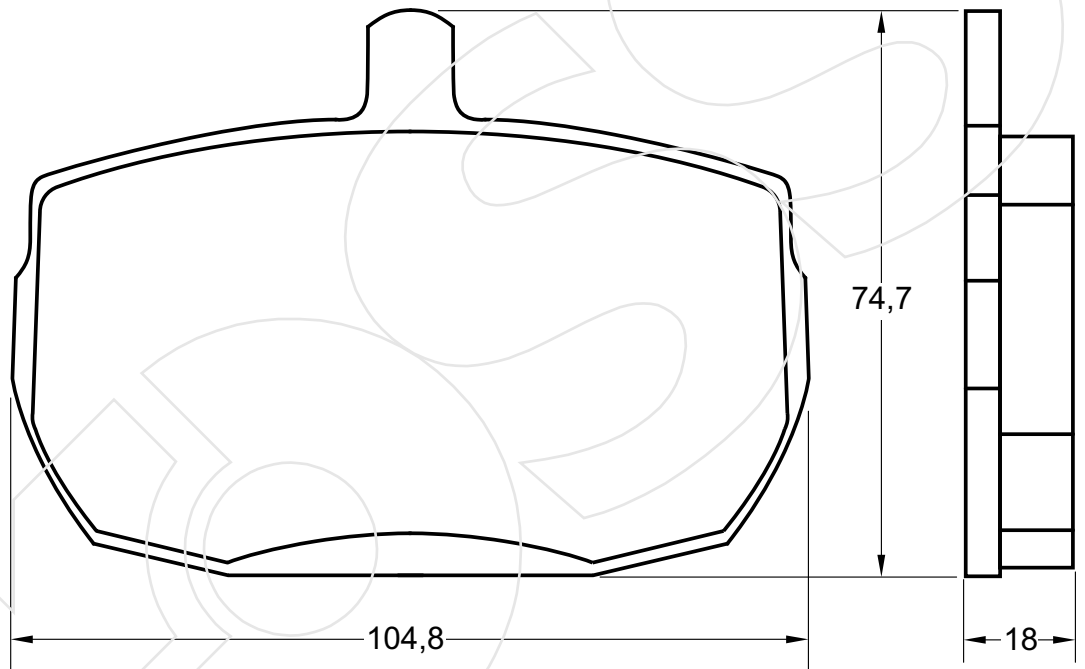
Reference in this Catalogue to other manufactures and to part numbers and other descriptions are for identification purposes only, because the above DISC BRAKE PADS are NOT ORIGINAL but with these interchangeable.

CODICE	IMPIANTO		ASSE	SCALA	APPLICAZIONI
<b>R-108</b>	ATE		ANTERIORE	100%	MERCEDES
CODICE COMPONENTI	N°	L(mm)	SERIE		
*	*	*	4 PEZZI		
*	*	*	*		
*	*	*	*		
*	*	*	*		
OPTIONAL	N°	L(mm)	NOTE		
F3082	2	130	*		
*	*	*	*		
*	*	*	*		
*	*	*	*		



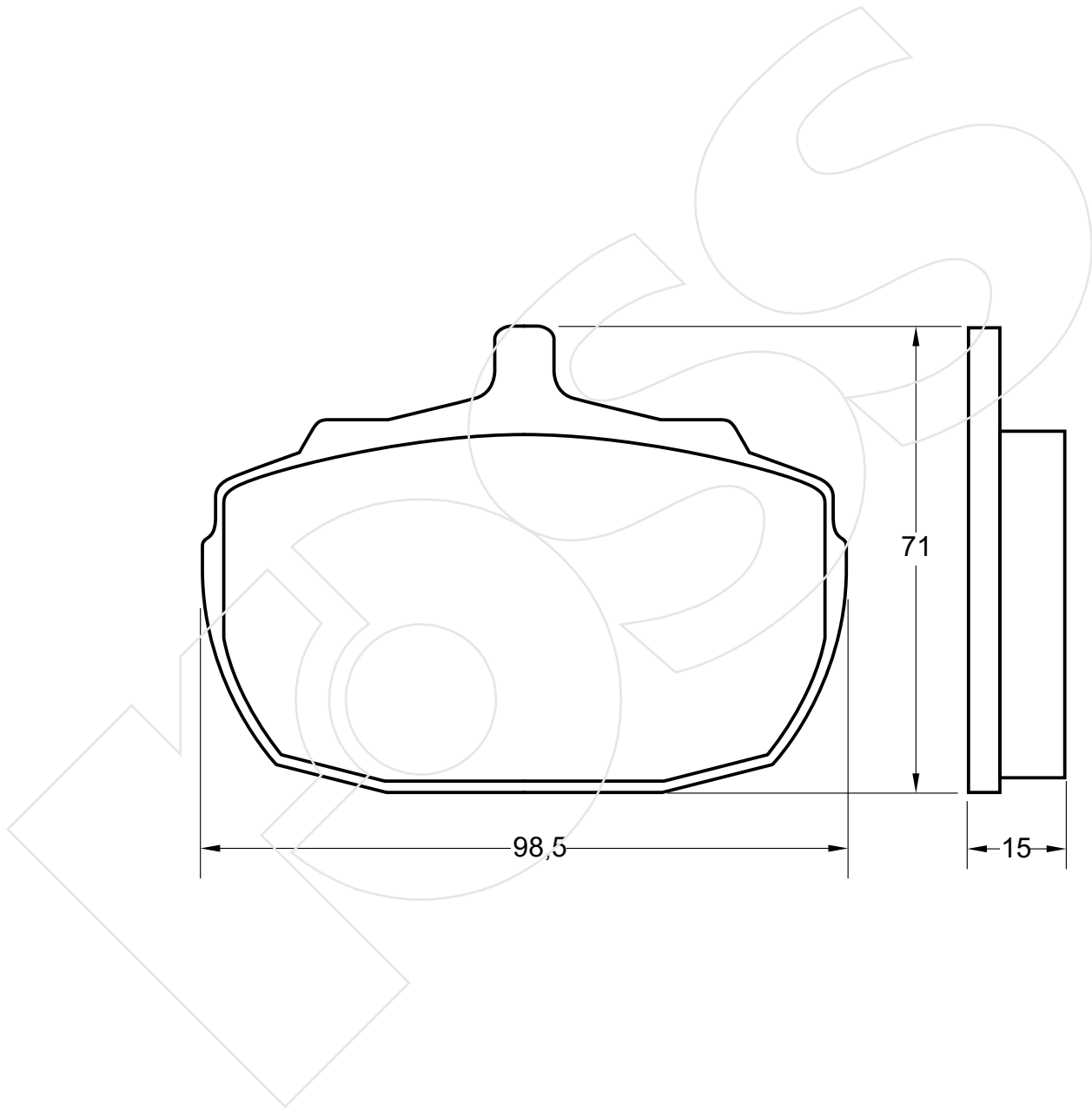
Reference in this Catalogue to other manufactures and to part numbers and other descriptions are for identification purposes only, because the above DISC BRAKE PADS are NOT ORIGINAL but with these interchangeable.

CODICE	IMPIANTO		ASSE	SCALA	APPLICAZIONI
<b>R-109</b>	LOCKEED		ANTERIORE	1:1	ALFAROMEО DAF FIAT FORD LEYLAND DAF
CODICE COMPONENTI	N°	L(mm)	SERIE		
*	*	*	4 PEZZI		
*	*	*			
*	*	*			
*	*	*			
CODICE ACCESSORI	N°	L(mm)	NOTE		
*	*	*			
*	*	*			
*	*	*			



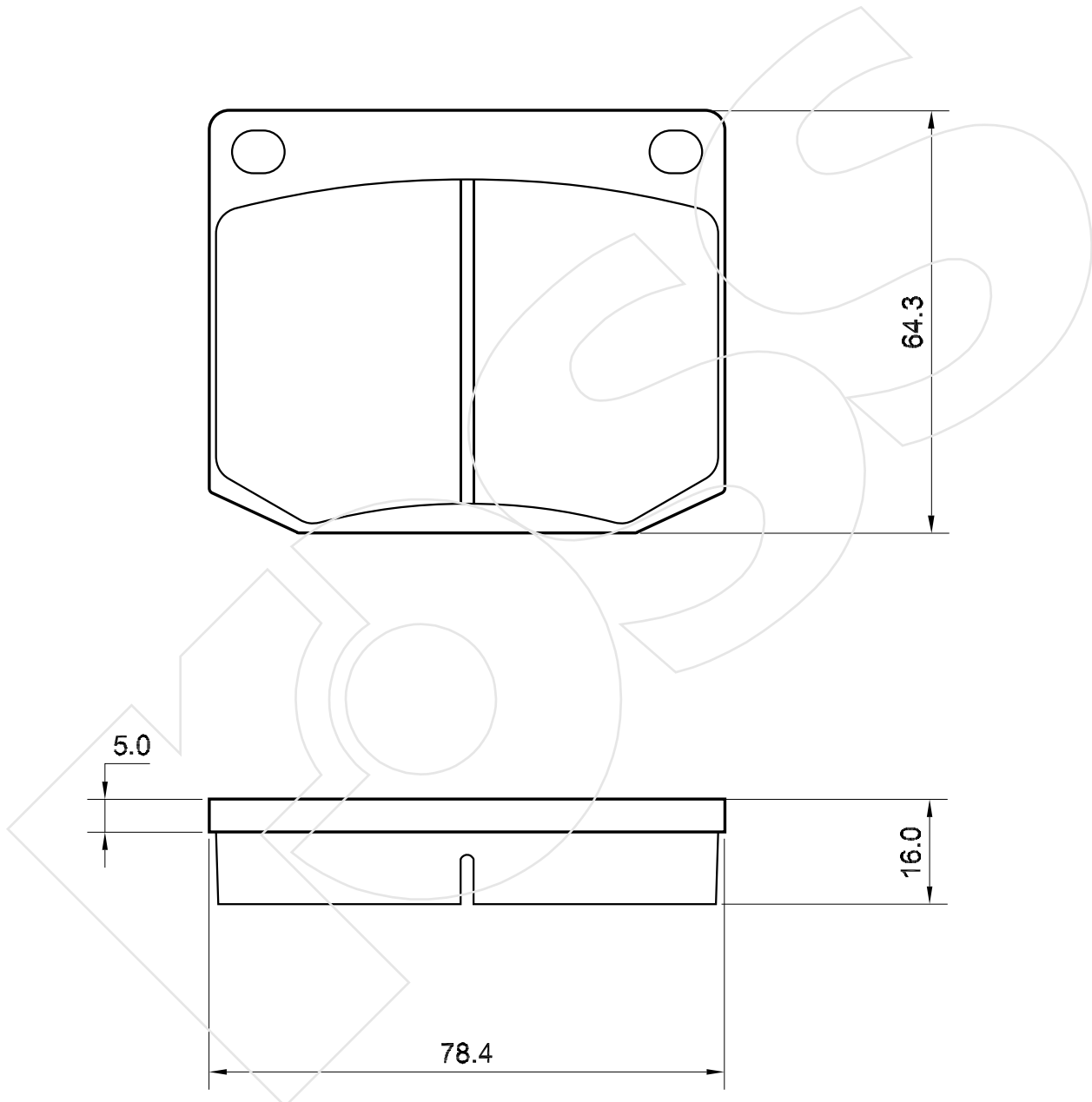
Reference in this Catalogue to other manufactures and to part numbers and other descriptions are for identification purposes only, because the above DISC BRAKE PADS are NOT ORIGINAL but with these interchangeable.

CODICE	IMPIANTO	ASSE	SCALA	APPLICAZIONI
<b>R-111</b>	LOCKEED	ANTERIORE	1:1	ROVER VAUXHALL
CODICE COMPONENTI	N°	L(mm)	SERIE	
*	*	*	4 PEZZI	
*	*	*		
*	*	*		
*	*	*		
CODICE ACCESSORI	N°	L(mm)	NOTE	
*	*	*		
*	*	*		
*	*	*		
*	*	*		



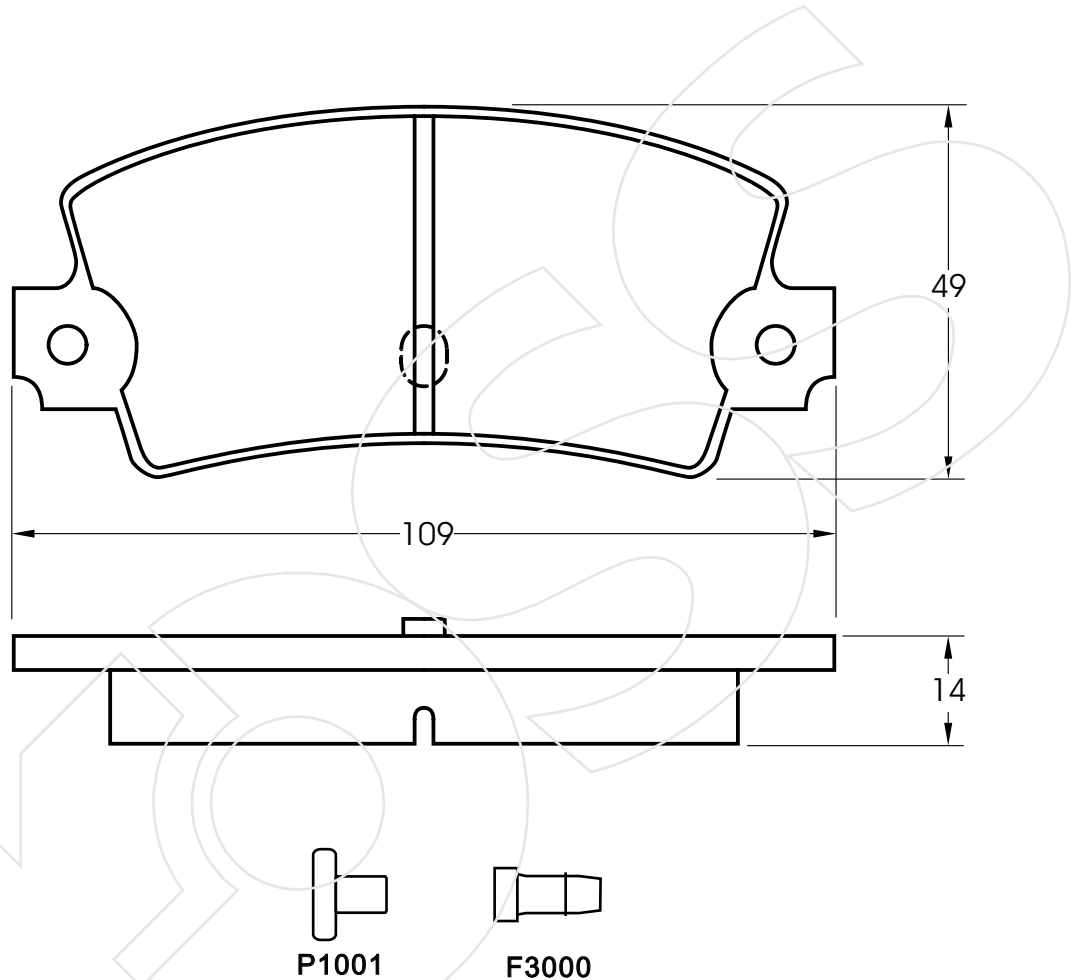
Reference in this Catalogue to other manufactures and to part numbers and other descriptions are for identification purposes only, because the above DISC BRAKE PADS are NOT ORIGINAL but with these interchangeable.

CODICE	IMPIANTO	ASSE	SCALA	APPLICAZIONI
<b>R-112</b>	GIRLING	ANTERIORE	100%	SAAB
CODICE COMPONENTI	N°	L(mm)	SERIE	
*	*	*	4 PEZZI	
*	*	*	*	
*	*	*	*	
*	*	*	*	
OPTIONAL	N°	L(mm)	NOTE	
*	*	*	*	
*	*	*	*	
*	*	*	*	
*	*	*	*	



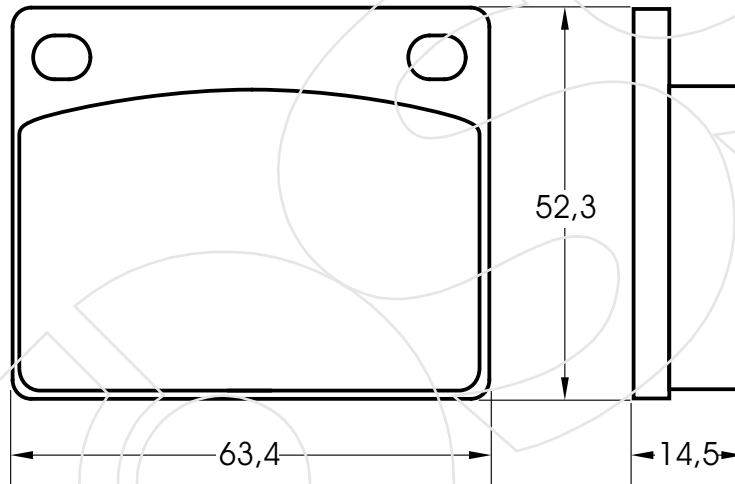
Reference in this Catalogue to other manufactures and to part numbers and other descriptions are for identification purposes only, because the above DISC BRAKE PADS are NOT ORIGINAL but with these interchangeable.

CODICE	IMPIANTO		ASSE	SCALA	APPLICAZIONI
<b>R-114</b>	BENDIX		ANTERIORE	1:1	RENAULT TALBOT
CODICE COMPONENTI	N°	L(mm)	SERIE		
*	*	*	4 PEZZI		
P1001+F3000	4+2	*			
*	*	*			
*	*	*			
CODICE ACCESSORI	N°	L(mm)	NOTE		
*	*	*			
*	*	*			
*	*	*			
*	*	*			



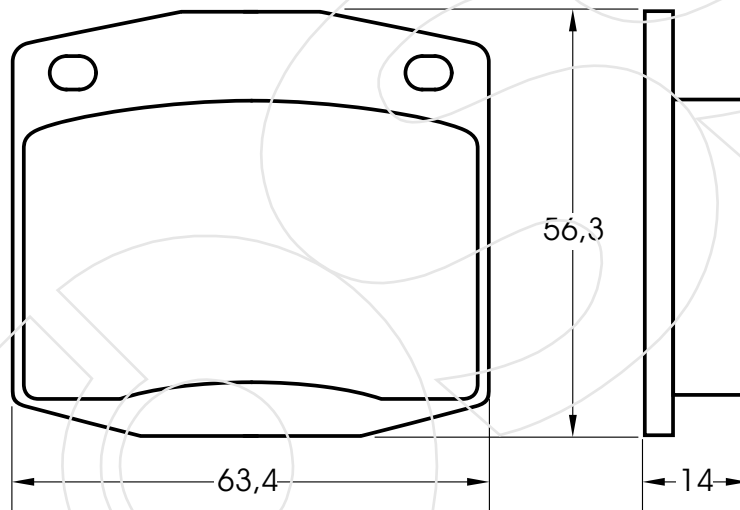
Reference in this Catalogue to other manufactures and to part numbers and other descriptions are for identification purposes only, because the above DISC BRAKE PADS are NOT ORIGINAL but with these interchangeable.

CODICE	IMPIANTO	ASSE	SCALA	APPLICAZIONI
<b>R-115</b>	SUMITOMO	ANTERIORE	1:1	HONDA
CODICE COMPONENTI	N°	L(mm)	SERIE	
*	*	*	4 PEZZI	
*	*	*		
*	*	*		
*	*	*		
CODICE ACCESSORI	N°	L(mm)	NOTE	
*	*	*		
*	*	*		
*	*	*		
*	*	*		



Reference in this Catalogue to other manufactures and to part numbers and other descriptions are for identification purposes only, because the above DISC BRAKE PADS are NOT ORIGINAL but with these interchangeable.

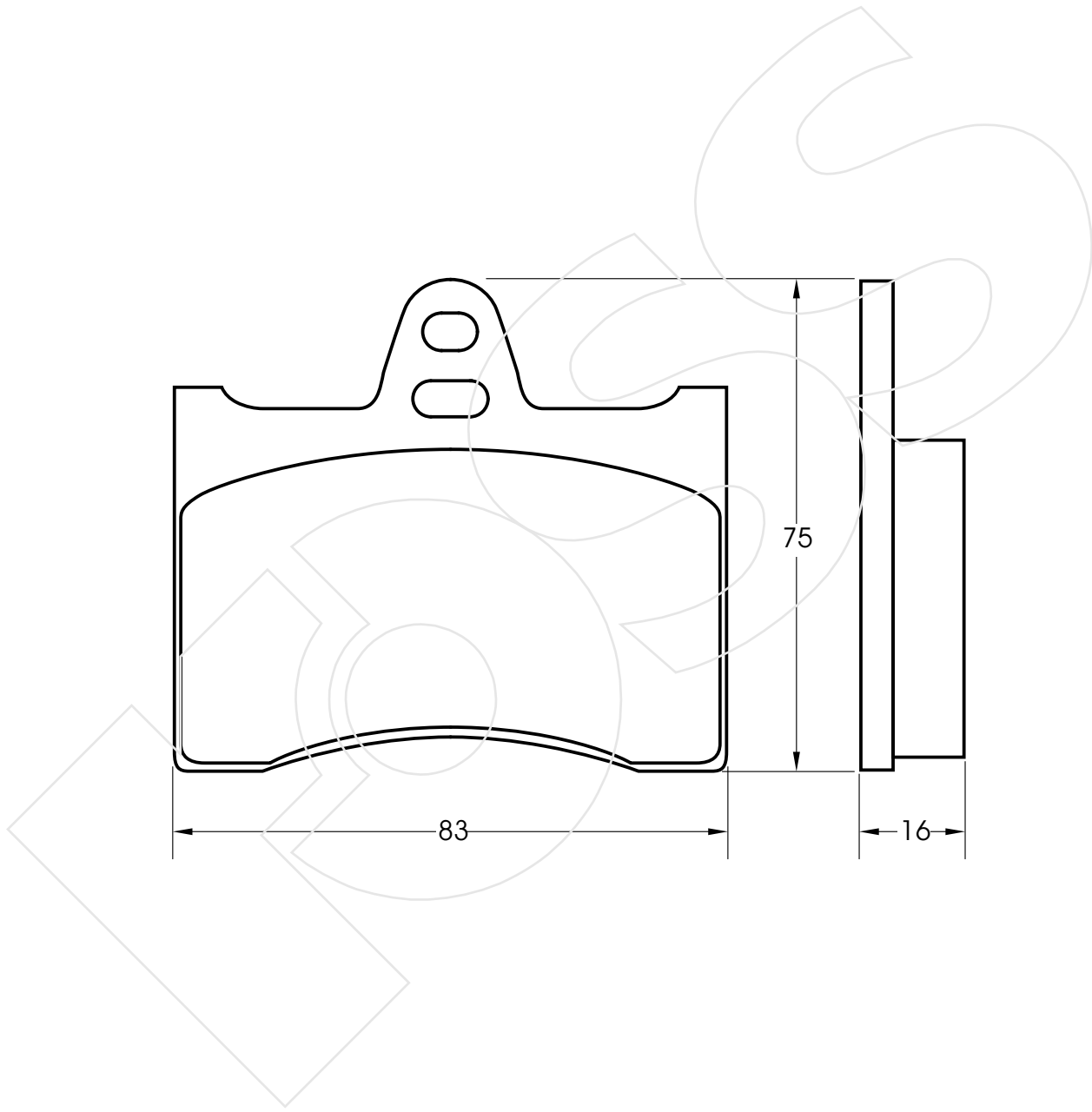
CODICE	IMPIANTO		ASSE	SCALA	APPLICAZIONI
<b>R-116</b>	SUMITOMO		ANTERIORE	1:1	NISSAN-DATSUN
CODICE COMPONENTI	N°	L(mm)	SERIE		
*	*	*	4 PEZZI		
*	*	*			
*	*	*			
*	*	*			
*	*	*			
CODICE ACCESSORI	N°	L(mm)	NOTE		
*	*	*	*		
*	*	*	*		
*	*	*	*		
*	*	*	*		



Reference in this Catalogue to other manufactures and to part numbers and other descriptions are for identification purposes only, because the above DISC BRAKE PADS are NOT ORIGINAL but with these interchangeable.

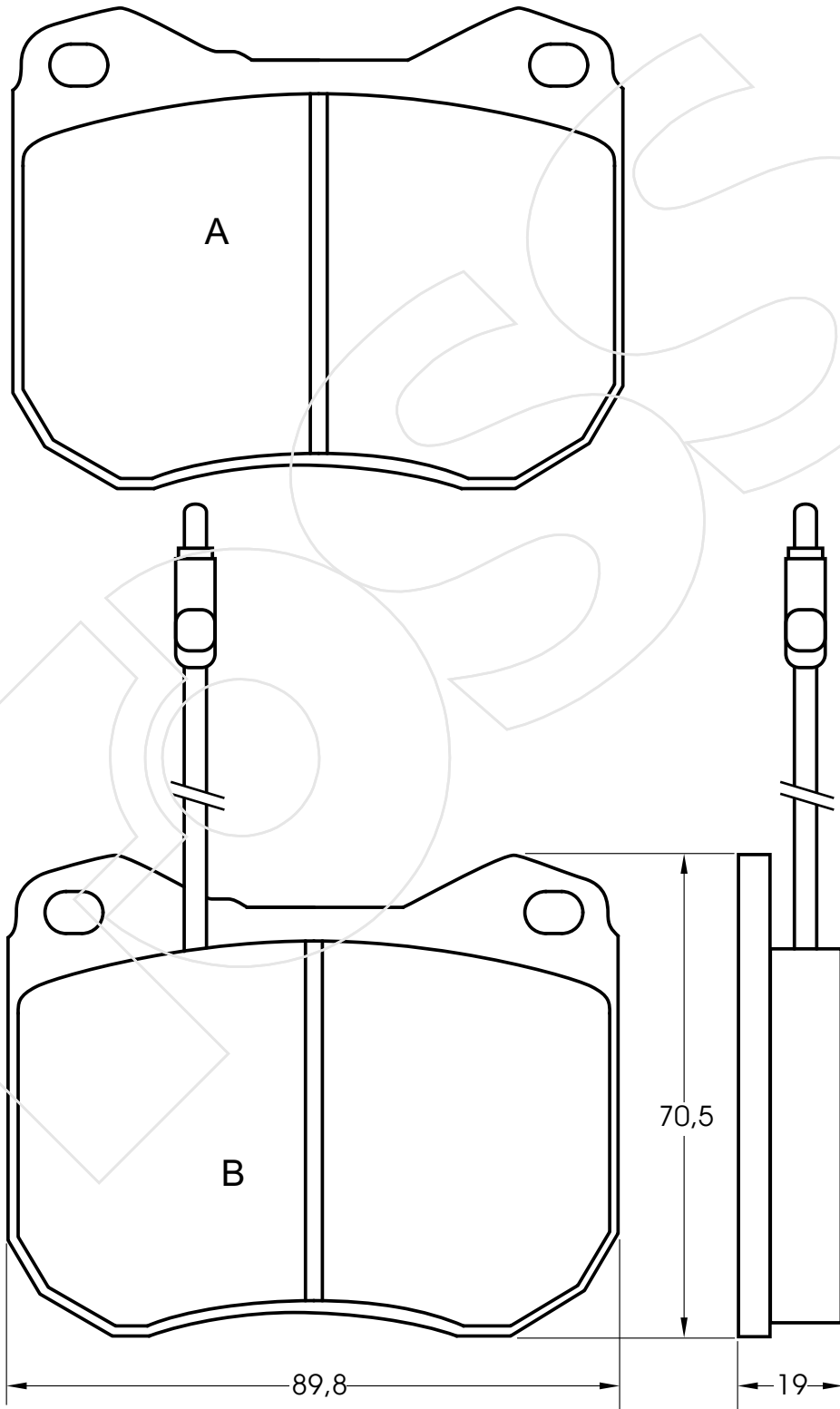


CODICE	IMPIANTO		ASSE	SCALA	APPLICAZIONI
<b>R-117</b>	CITROEN		ANTERIORE	1:1	CITROEN
CODICE COMPONENTI	N°	L(mm)	SERIE		
*	*	*	4 PEZZI		
*	*	*			
*	*	*			
*	*	*			
CODICE ACCESSORI	N°	L(mm)	NOTE		
*	*	*			
*	*	*			
*	*	*			
*	*	*			



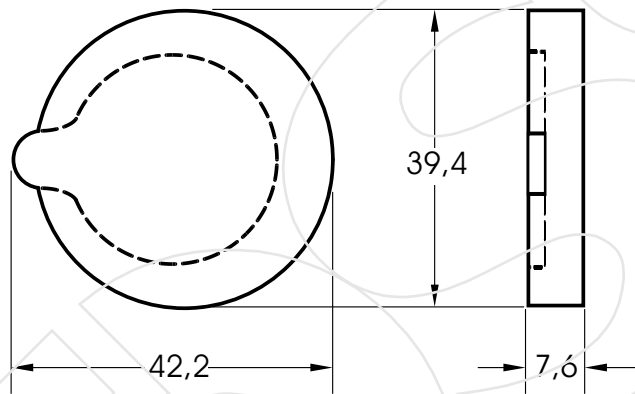
Reference in this Catalogue to other manufactures and to part numbers and other descriptions are for identification purposes only, because the above DISC BRAKE PADS are NOT ORIGINAL but with these interchangeable.

CODICE	IMPIANTO	ASSE	SCALA	APPLICAZIONI
<b>R-118</b>	ATE	ANTERIORE	1:1	PEUGEOT TALBOT
CODICE COMPONENTI	N°	L(mm)	SERIE	
*	*	*	2 PEZZI TIPO A	
F3004	2	175	2 PEZZI TIPO B	
*	*	*		
CODICE ACCESSORI	N°	L(mm)	NOTE	
*	*	*		
*	*	*		
*	*	*		
*	*	*		



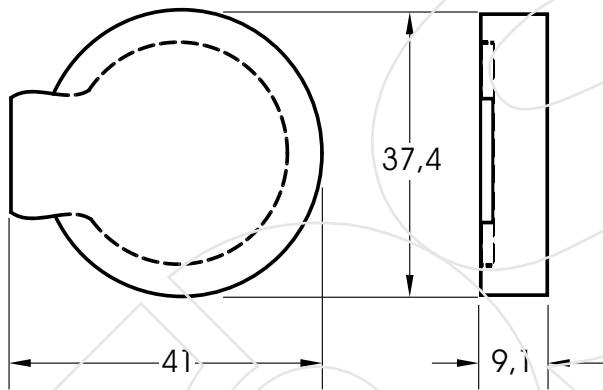
Reference in this Catalogue to other manufactures and to part numbers and other descriptions are for identification purposes only, because the above DISC BRAKE PADS are NOT ORIGINAL but with these interchangeable.

CODICE	IMPIANTO		ASSE	SCALA	APPLICAZIONI
<b>R-121</b>	CITROEN		FRENO A MANO	1:1	CITROEN
CODICE COMPONENTI	N°	L(mm)	SERIE		
*	*	*	4 PEZZI		
*	*	*			
*	*	*			
*	*	*			
CODICE ACCESSORI	N°	L(mm)	NOTE		
*	*	*			
*	*	*			
*	*	*			
*	*	*			



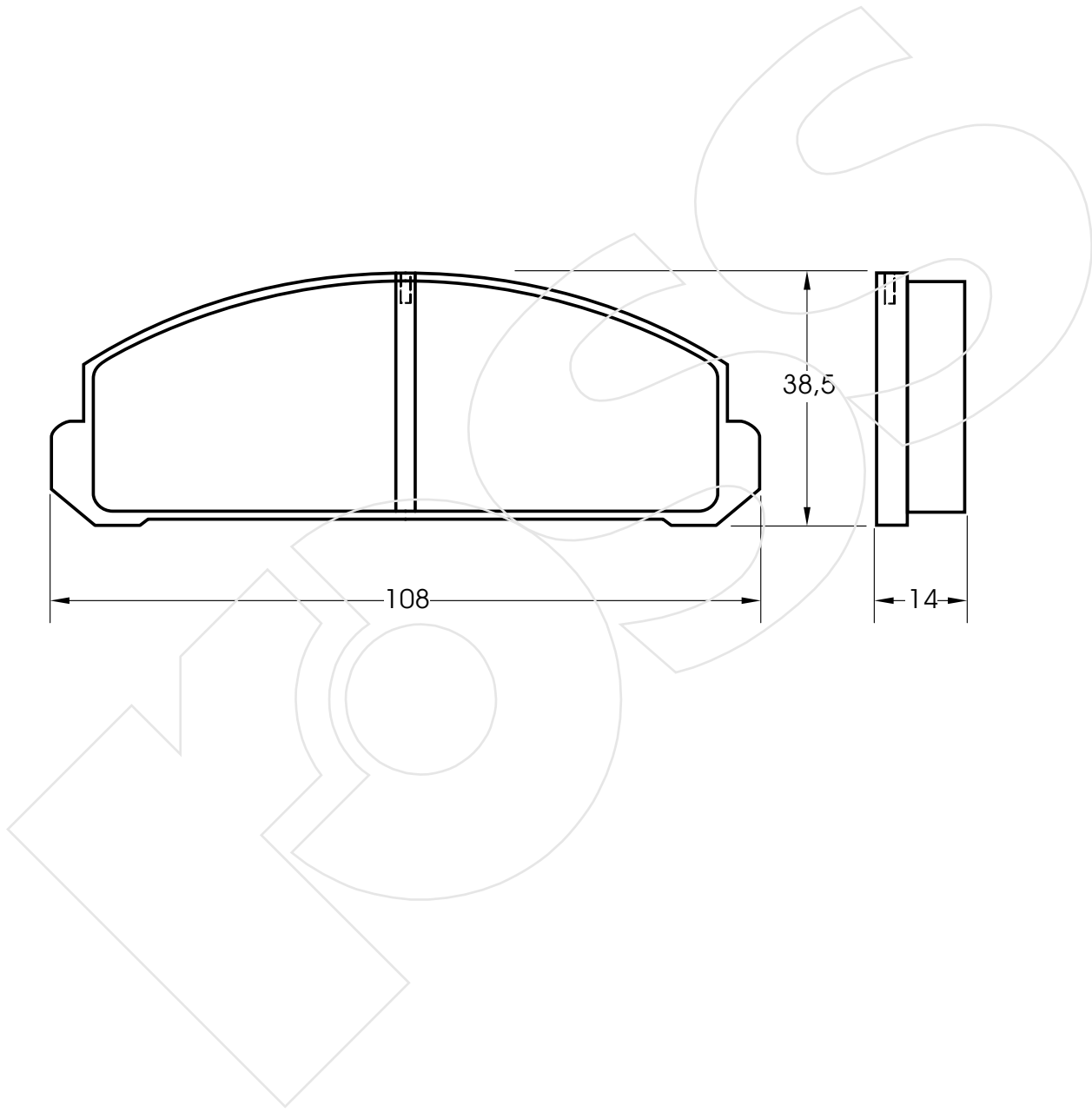
Reference in this Catalogue to other manufactures and to part numbers and other descriptions are for identification purposes only, because the above DISC BRAKE PADS are NOT ORIGINAL but with these interchangeable.

CODICE	IMPIANTO		ASSE	SCALA	APPLICAZIONI
<b>R-122</b>	CITROEN		FRENO A MANO	1:1	CITROEN
CODICE COMPONENTI	N°	L(mm)	SERIE		
*	*	*	4 PEZZI		
*	*	*			
*	*	*			
*	*	*			
CODICE ACCESSORI	N°	L(mm)	NOTE		
*	*	*			
*	*	*			
*	*	*			
*	*	*			



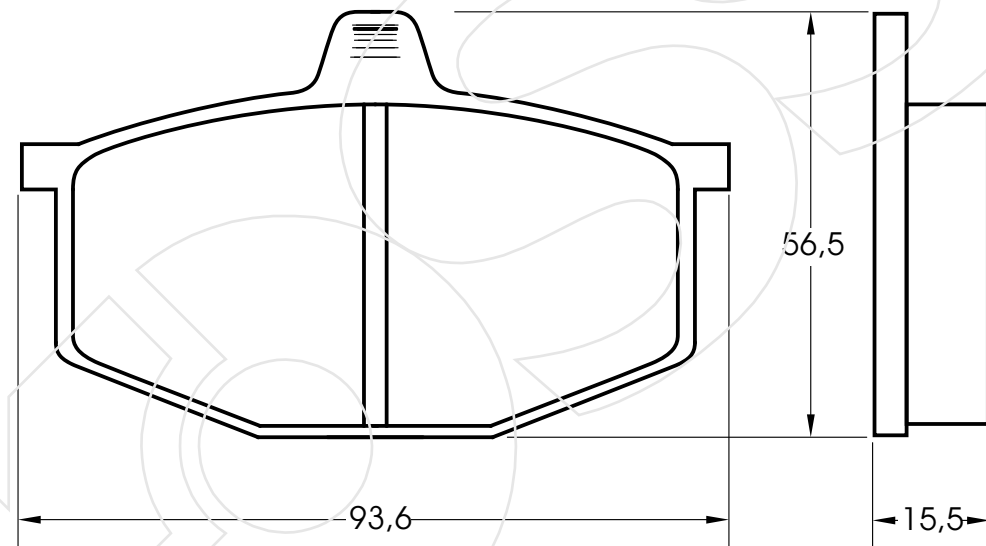
Reference in this Catalogue to other manufactures and to part numbers and other descriptions are for identification purposes only, because the above DISC BRAKE PADS are NOT ORIGINAL but with these interchangeable.

CODICE	IMPIANTO	ASSE	SCALA	APPLICAZIONI
<b>R-123</b>	AKEBONO	ANTERIORE	1:1	MAZDA
CODICE COMPONENTI	N°	L(mm)	SERIE	
*	*	*	4 PEZZI	
*	*	*		
*	*	*		
*	*	*		
CODICE ACCESSORI	N°	L(mm)	NOTE	
*	*	*		
*	*	*		
*	*	*		
*	*	*		



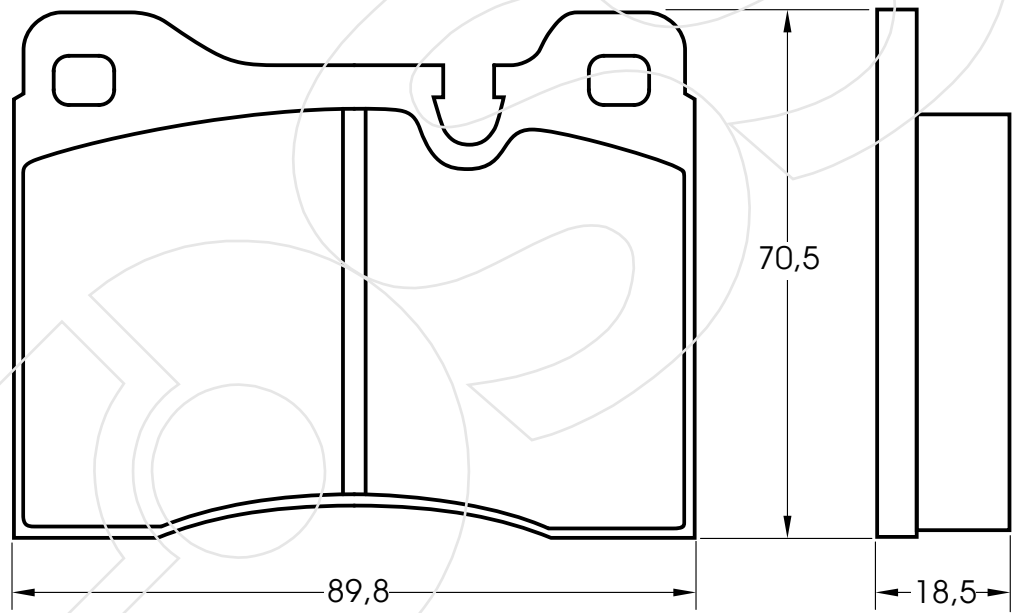
Reference in this Catalogue to other manufactures and to part numbers and other descriptions are for identification purposes only, because the above DISC BRAKE PADS are NOT ORIGINAL but with these interchangeable.

CODICE	IMPIANTO	ASSE	SCALA	APPLICAZIONI
<b>R-124</b>	GIRLING	ANTERIORE	1:1	RENAULT
CODICE COMPONENTI	N°	L(mm)	SERIE	
*	*	*	4 PEZZI	
*	*	*		
*	*	*		
*	*	*		
CODICE ACCESSORI	N°	L(mm)	NOTE	
*	*	*		
*	*	*		
*	*	*		
*	*	*		



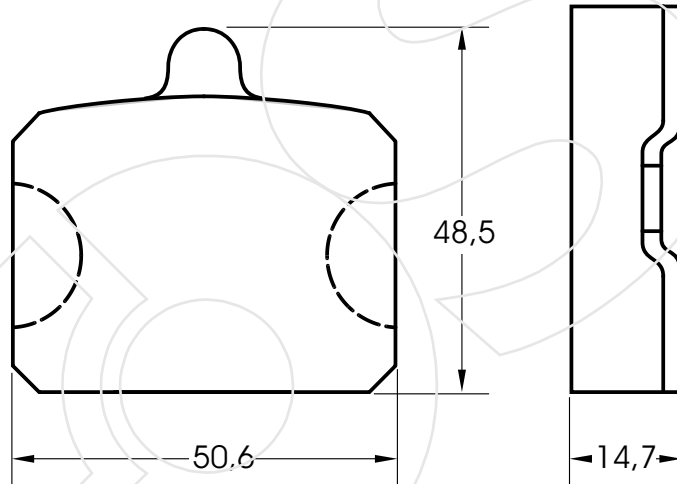
Reference in this Catalogue to other manufactures and to part numbers and other descriptions are for identification purposes only, because the above DISC BRAKE PADS are NOT ORIGINAL but with these interchangeable.

CODICE	IMPIANTO	ASSE	SCALA	APPLICAZIONI
<b>R-125</b>	ATE	ANTERIORE	1:1	BMW
CODICE COMPONENTI	N°	L(mm)	SERIE	
*	*	*	4 PEZZI	
*	*	*		
*	*	*		
*	*	*		
CODICE ACCESSORI	N°	L(mm)	NOTE	
*	*	*		
*	*	*		
*	*	*		
*	*	*		



Reference in this Catalogue to other manufactures and to part numbers and other descriptions are for identification purposes only, because the above DISC BRAKE PADS are NOT ORIGINAL but with these interchangeable.

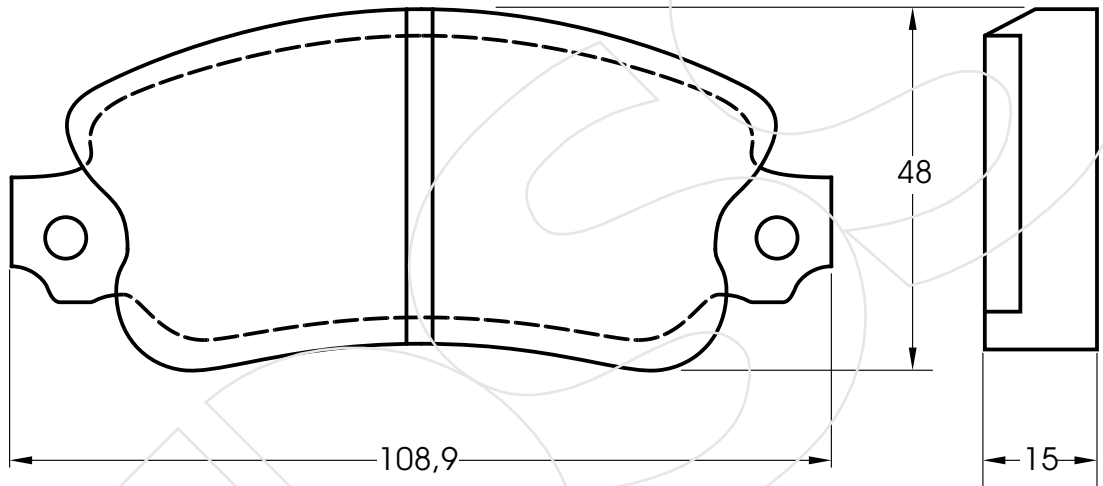
CODICE	IMPIANTO	ASSE	SCALA	APPLICAZIONI
<b>R-126</b>	DUNLOP	ANTERIORE	1:1	SKODA
CODICE COMPONENTI	N°	L(mm)	SERIE	
*	*	*	4 PEZZI	
*	*	*		
*	*	*		
*	*	*		
CODICE ACCESSORI	N°	L(mm)	NOTE	
*	*	*		
*	*	*		
*	*	*		
*	*	*		



Reference in this Catalogue to other manufactures and to part numbers and other descriptions are for identification purposes only, because the above DISC BRAKE PADS are NOT ORIGINAL but with these interchangeable.

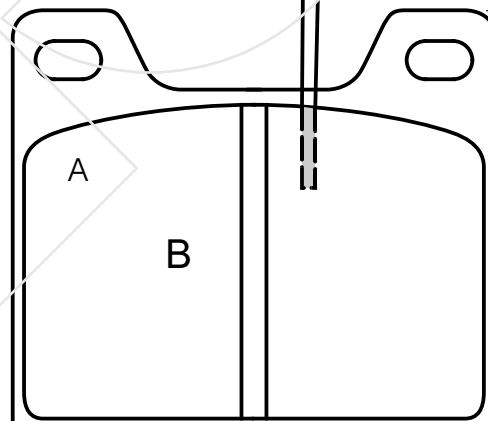
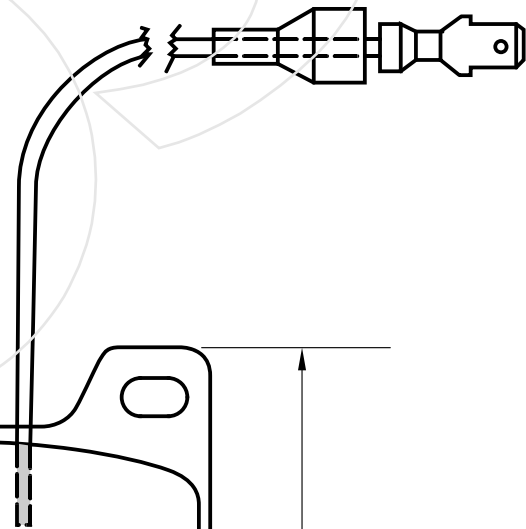
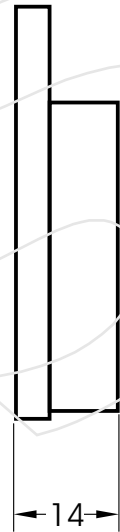
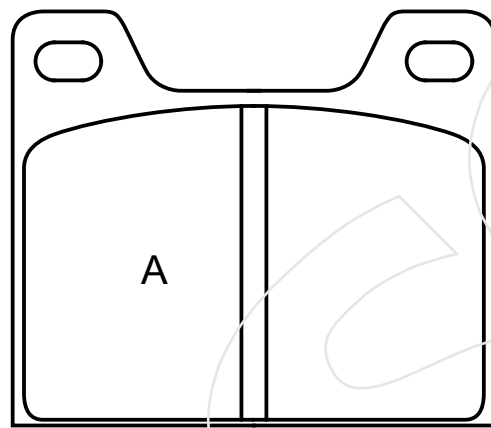


CODICE	IMPIANTO		ASSE	SCALA	APPLICAZIONI
<b>R-127</b>	BENDIX		ANTERIORE	1:1	TALBOT
CODICE COMPONENTI	N°	L(mm)	SERIE		
*	*	*	4 PEZZI		
F3048	2	110			
*	*	*			
*	*	*			
CODICE ACCESSORI	N°	L(mm)	NOTE		
*	*	*			
*	*	*			
*	*	*			
*	*	*			



Reference in this Catalogue to other manufactures and to part numbers and other descriptions are for identification purposes only, because the above DISC BRAKE PADS are NOT ORIGINAL but with these interchangeable.

CODICE	IMPIANTO		ASSE	SCALA	APPLICAZIONI
<b>R-129</b>	ATE		ANTERIORE	1:1	TALBOT
CODICE COMPONENTI	N°	L(mm)	SERIE		
*	*	*	2 PEZZI TIPO A		
F3013	2	175	2 PEZZI TIPO B		
*	*	*			
CODICE ACCESSORI	N°	L(mm)	NOTE		
*	*	*			
*	*	*			
*	*	*			
*	*	*			



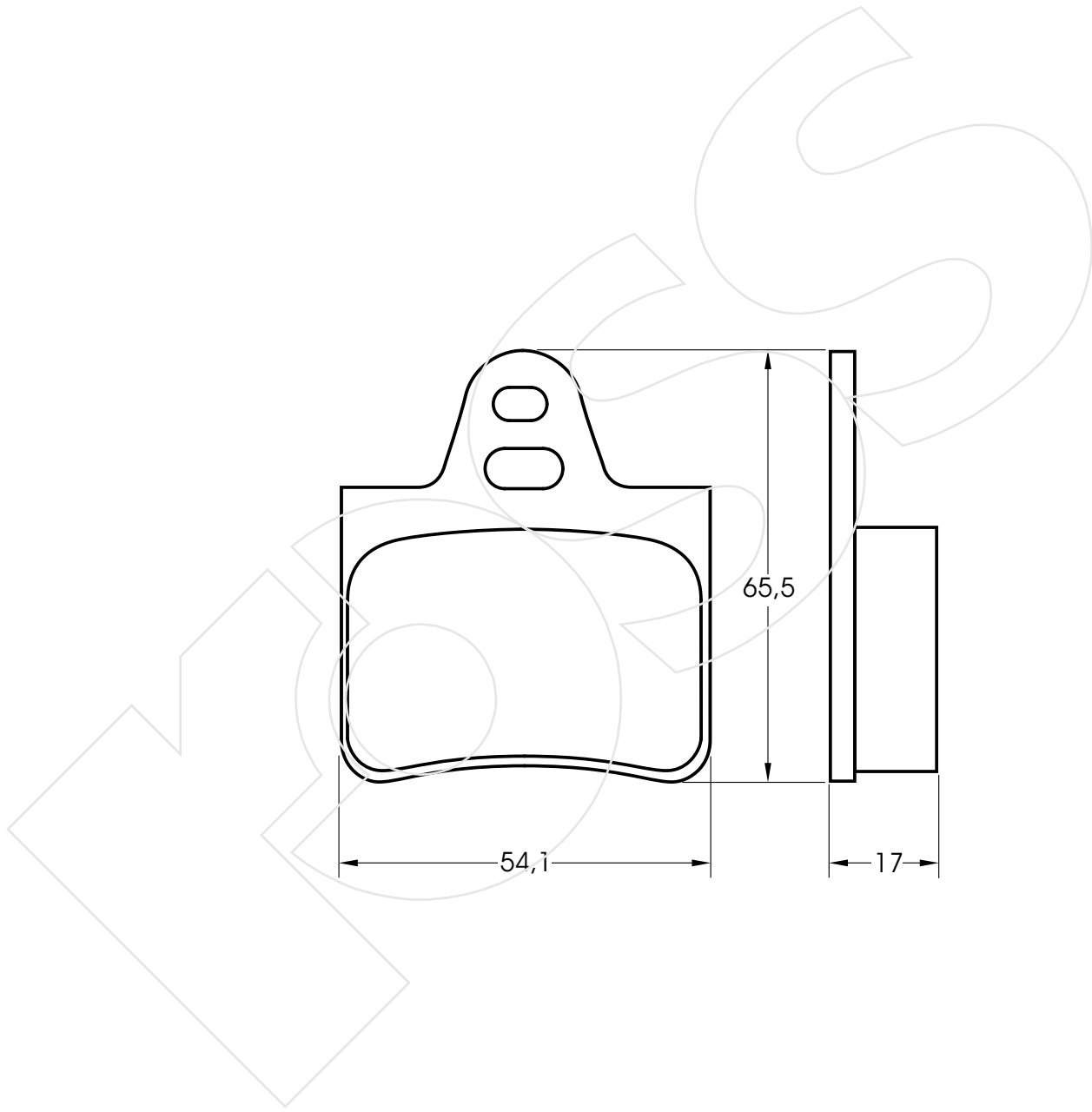
63,4

55,2

14

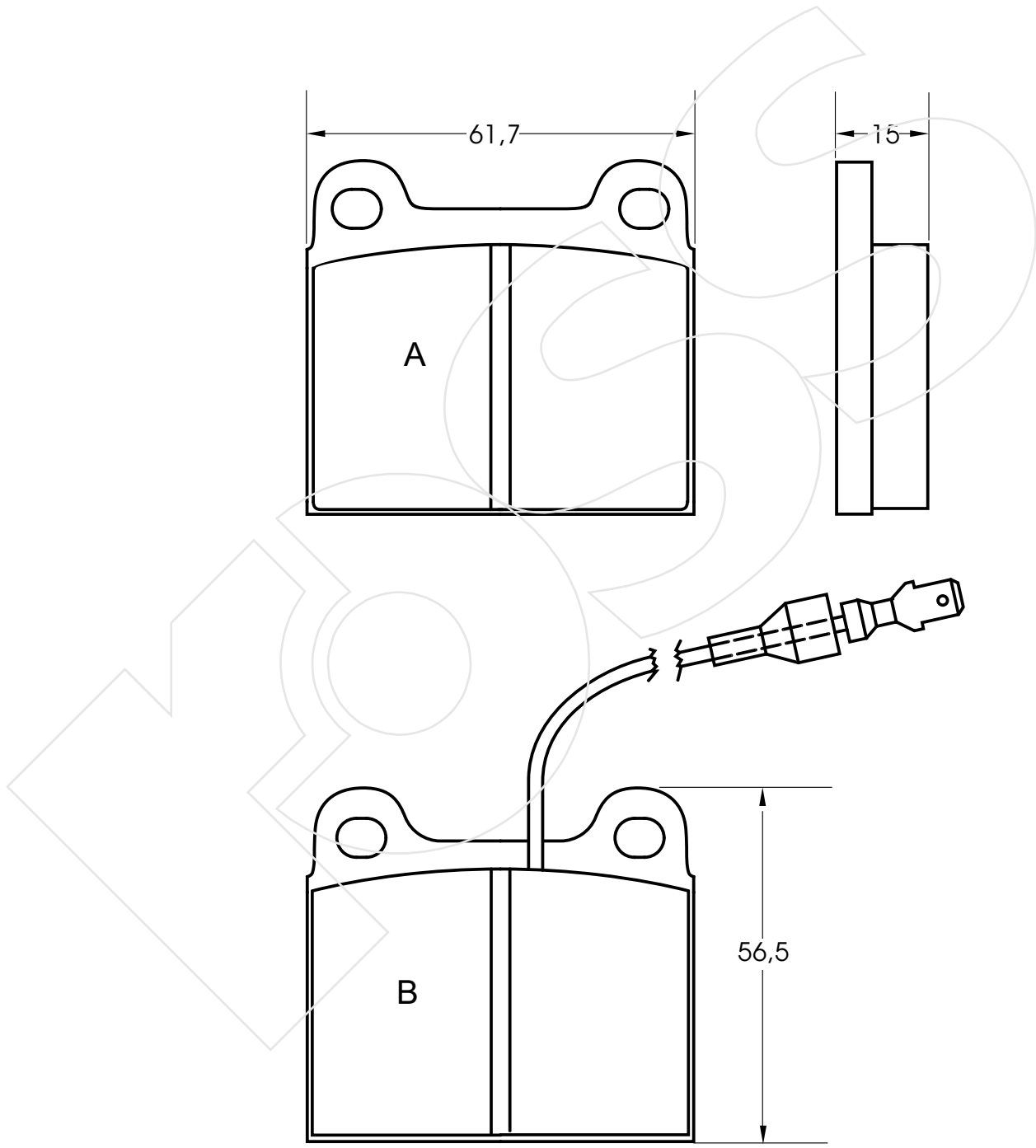
Reference in this Catalogue to other manufactures and to part numbers and other descriptions are for identification purposes only, because the above DISC BRAKE PADS are NOT ORIGINAL but with these interchangeable.

CODICE	IMPIANTO		ASSE	SCALA	APPLICAZIONI
<b>R-130</b>	CITROEN		ANTERIORE	1:1	CITROEN
CODICE COMPONENTI	N°	L(mm)	SERIE		
*	*	*	4 PEZZI		
*	*	*			
*	*	*			
*	*	*			
CODICE ACCESSORI	N°	L(mm)	NOTE		
*	*	*			
*	*	*			
*	*	*			
*	*	*			



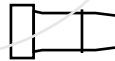
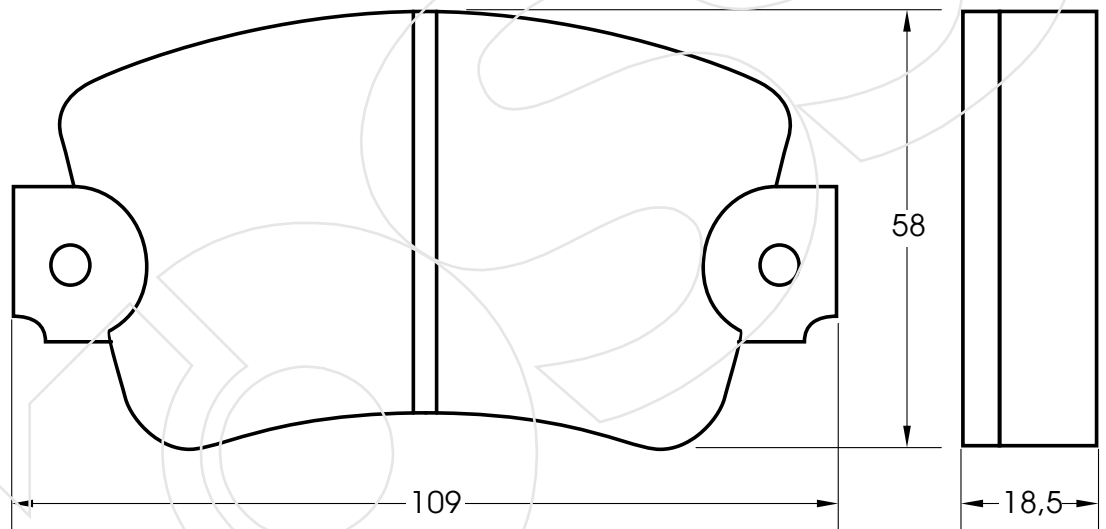
Reference in this Catalogue to other manufactures and to part numbers and other descriptions are for identification purposes only, because the above DISC BRAKE PADS are NOT ORIGINAL but with these interchangeable.

CODICE	IMPIANTO	ASSE	SCALA	APPLICAZIONI
<b>R-131</b>	ATE	ANTERIORE	1:1	TALBOT
CODICE COMPONENTI	N°	L(mm)	SERIE	
*	*	*	2 PEZZI TIPO A	
F3013	2	175	2 PEZZI TIPO B	
*	*	*		
CODICE ACCESSORI	N°	L(mm)	NOTE	
*	*	*		
*	*	*		
*	*	*		
*	*	*		



Reference in this Catalogue to other manufactures and to part numbers and other descriptions are for identification purposes only, because the above DISC BRAKE PADS are NOT ORIGINAL but with these interchangeable.

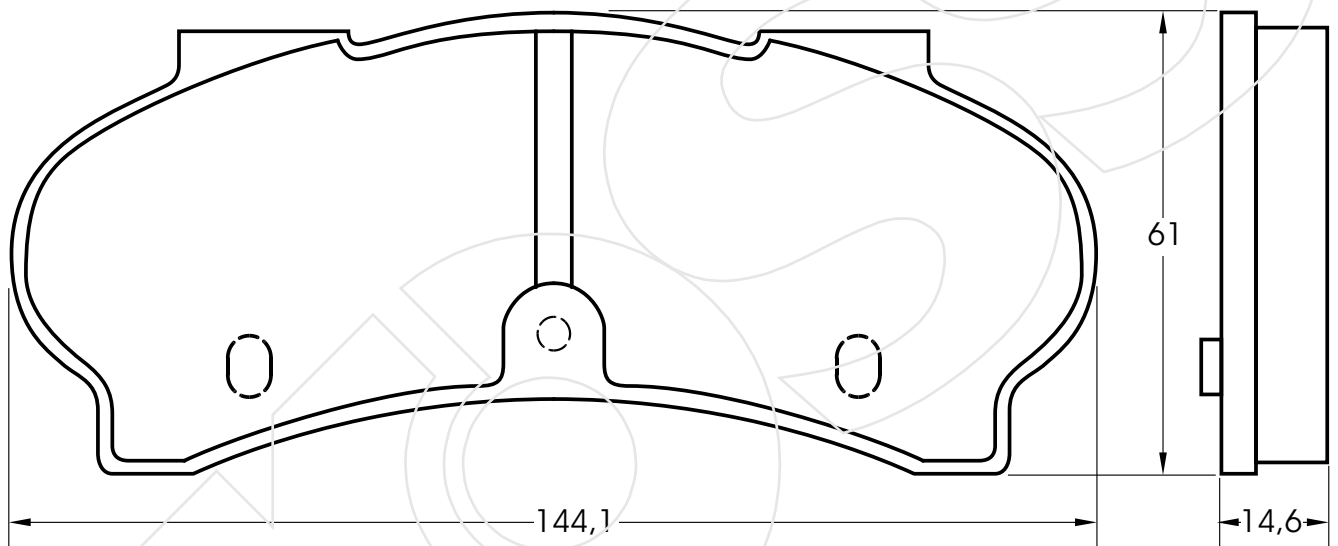
CODICE	IMPIANTO		ASSE	SCALA	APPLICAZIONI
<b>R-132</b>	BENDIX		ANTERIORE	1:1	RENAULT
CODICE COMPONENTI	N°	L(mm)	SERIE		
*	*	*	4 PEZZI		
F3000	2	*			
*	*	*			
*	*	*			
CODICE ACCESSORI	N°	L(mm)	NOTE		
*	*	*			
*	*	*			
*	*	*			
*	*	*			



**F3000**

Reference in this Catalogue to other manufactures and to part numbers and other descriptions are for identification purposes only, because the above DISC BRAKE PADS are NOT ORIGINAL but with these interchangeable.

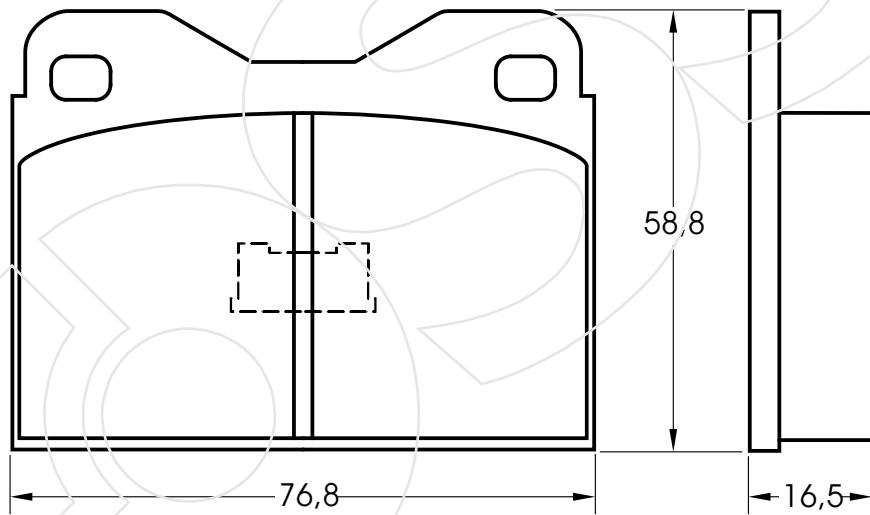
CODICE	IMPIANTO		ASSE	SCALA	APPLICAZIONI
<b>R-134</b>	BENDIX		ANTERIORE	1:1	PEUGEOT
CODICE COMPONENTI	N°	L(mm)	SERIE		
*	*	*	4 PEZZI		
F3000	2	*			
*	*	*			
*	*	*			
CODICE ACCESSORI	N°	L(mm)	NOTE		
*	*	*			
*	*	*			
*	*	*			
*	*	*			



F3000

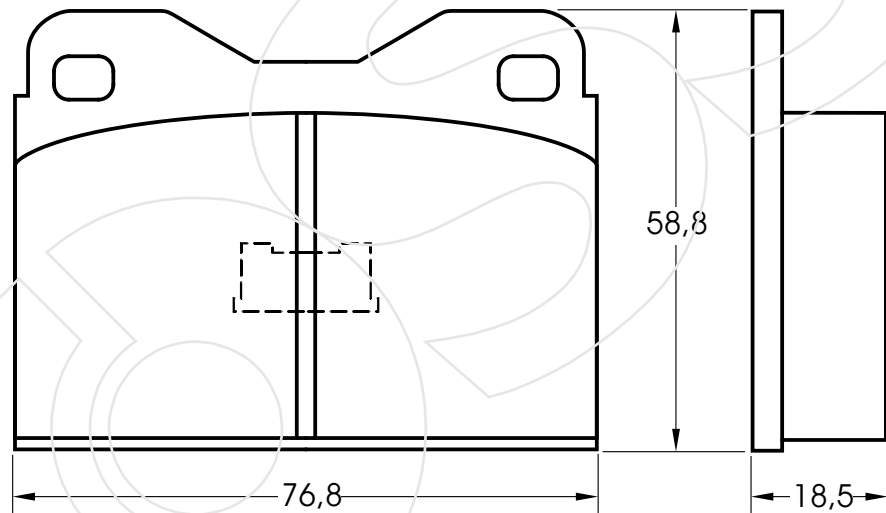
Reference in this Catalogue to other manufactures and to part numbers and other descriptions are for identification purposes only, because the above DISC BRAKE PADS are NOT ORIGINAL but with these interchangeable.

CODICE	IMPIANTO		ASSE	SCALA	APPLICAZIONI
<b>R-135</b>	ATE		ANTERIORE	1:1	PEUGEOT
CODICE COMPONENTI	N°	L(mm)	SERIE		
*	*	*	4 PEZZI		
*	*	*			
*	*	*			
*	*	*			
CODICE ACCESSORI	N°	L(mm)	NOTE		
*	*	*			
*	*	*			
*	*	*			
*	*	*			



Reference in this Catalogue to other manufactures and to part numbers and other descriptions are for identification purposes only, because the above DISC BRAKE PADS are NOT ORIGINAL but with these interchangeable.

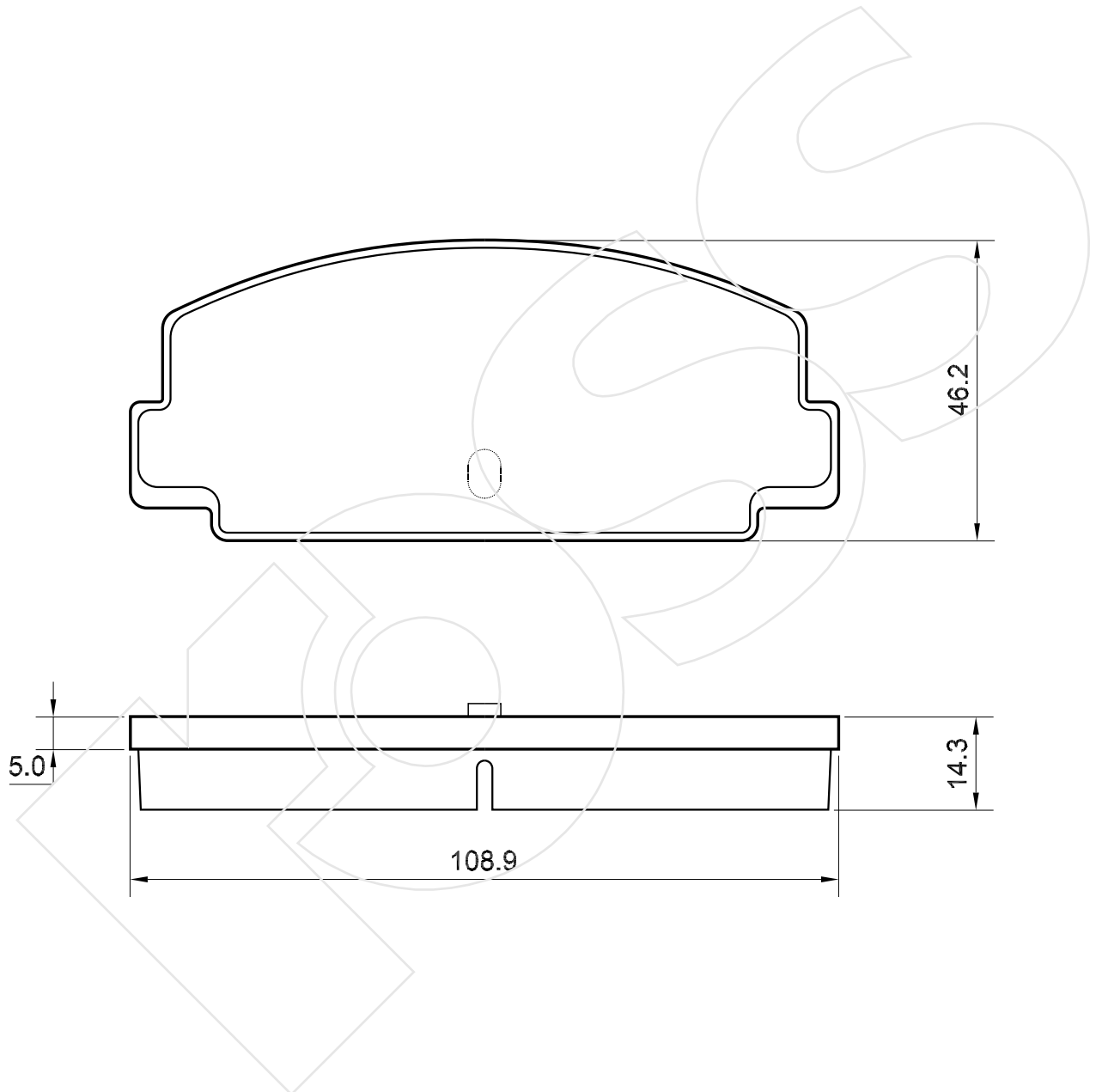
CODICE	IMPIANTO	ASSE	SCALA	APPLICAZIONI
<b>R-136</b>	ATE	ANTERIORE	1:1	AUDI
CODICE COMPONENTI	N°	L(mm)	SERIE	
*	*	*	4 PEZZI	
*	*	*		
*	*	*		
*	*	*		
CODICE ACCESSORI	N°	L(mm)	NOTE	
*	*	*		
*	*	*		
*	*	*		
*	*	*		



Reference in this Catalogue to other manufactures and to part numbers and other descriptions are for identification purposes only, because the above DISC BRAKE PADS are NOT ORIGINAL but with these interchangeable.

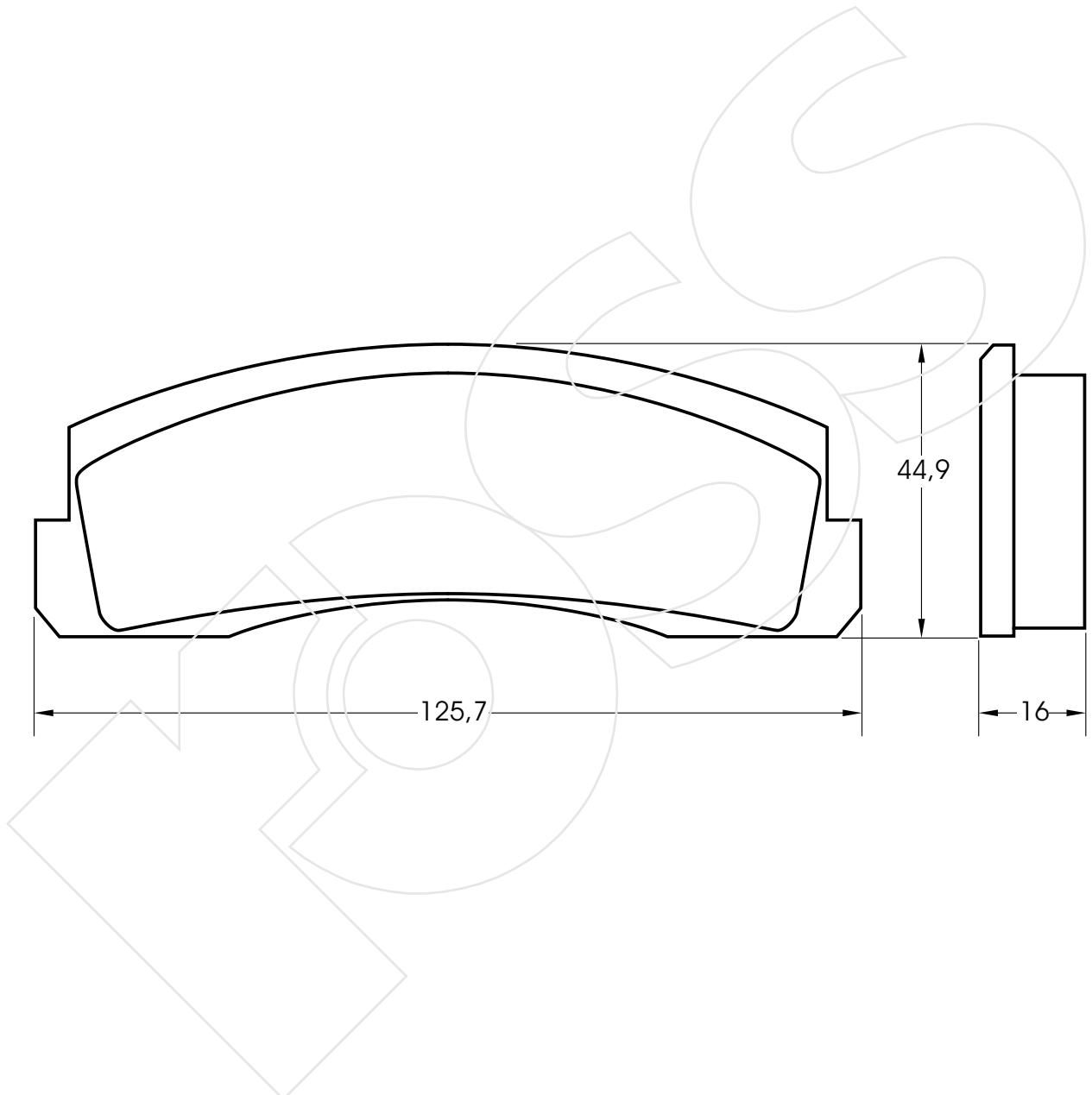


CODICE	IMPIANTO	ASSE	SCALA	APPLICAZIONI
<b>R-137</b>	AKEBONO	ANTERIORE	1:1	SUBARU
CODICE COMPONENTI	N°	L(mm)	SERIE	
*	*	*	4 PEZZI	
*	*	*		
*	*	*		
*	*	*		
CODICE ACCESSORI	N°	L(mm)	NOTE	
*	*	*		
*	*	*		
*	*	*		
*	*	*		



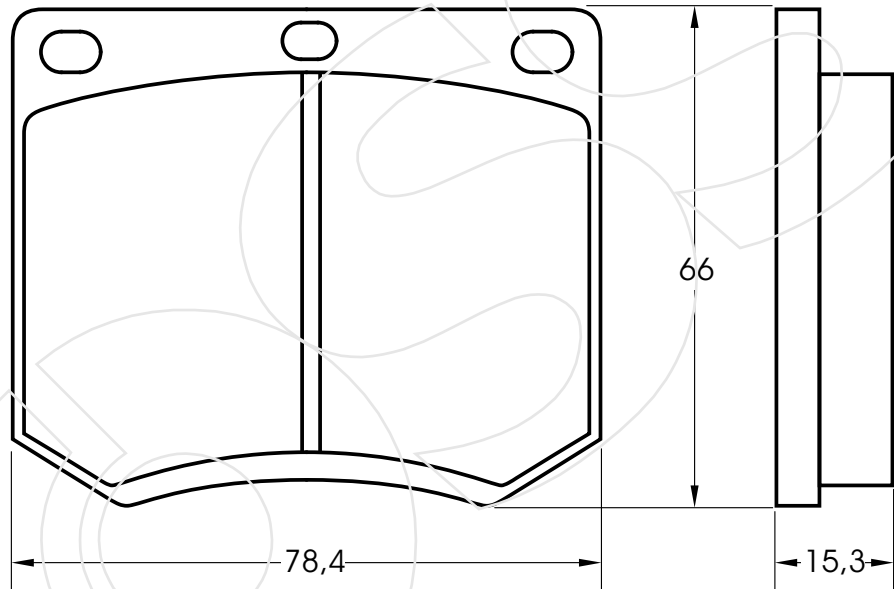
Reference in this Catalogue to other manufactures and to part numbers and other descriptions are for identification purposes only, because the above DISC BRAKE PADS are NOT ORIGINAL but with these interchangeable.

CODICE	IMPIANTO		ASSE	SCALA	APPLICAZIONI
<b>R-138</b>	BENDIX		ANTERIORE	1:1	LADA
CODICE COMPONENTI	N°	L(mm)	SERIE		
*	*	*	4 PEZZI		
*	*	*			
*	*	*			
*	*	*			
CODICE ACCESSORI	N°	L(mm)	NOTE		
*	*	*			
*	*	*			
*	*	*			
*	*	*			



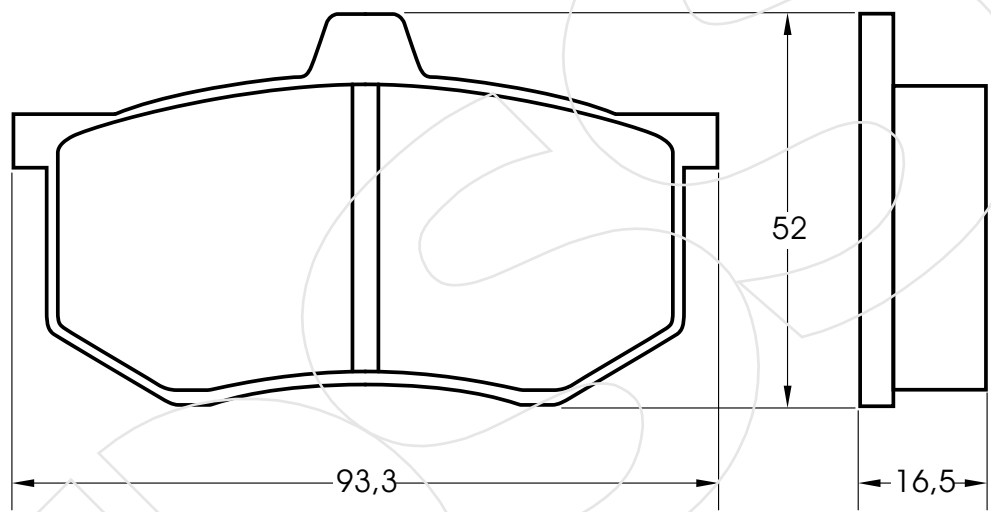
Reference in this Catalogue to other manufactures and to part numbers and other descriptions are for identification purposes only, because the above DISC BRAKE PADS are NOT ORIGINAL but with these interchangeable.

CODICE	IMPIANTO	ASSE	SCALA	APPLICAZIONI
<b>R-139</b>	GIRLING	ANTERIORE	1:1	FORD HYUNDAI
CODICE COMPONENTI	N°	L(mm)	SERIE	
*	*	*	4 PEZZI	
*	*	*		
*	*	*		
*	*	*		
CODICE ACCESSORI	N°	L(mm)	NOTE	
*	*	*		
*	*	*		
*	*	*		
*	*	*		



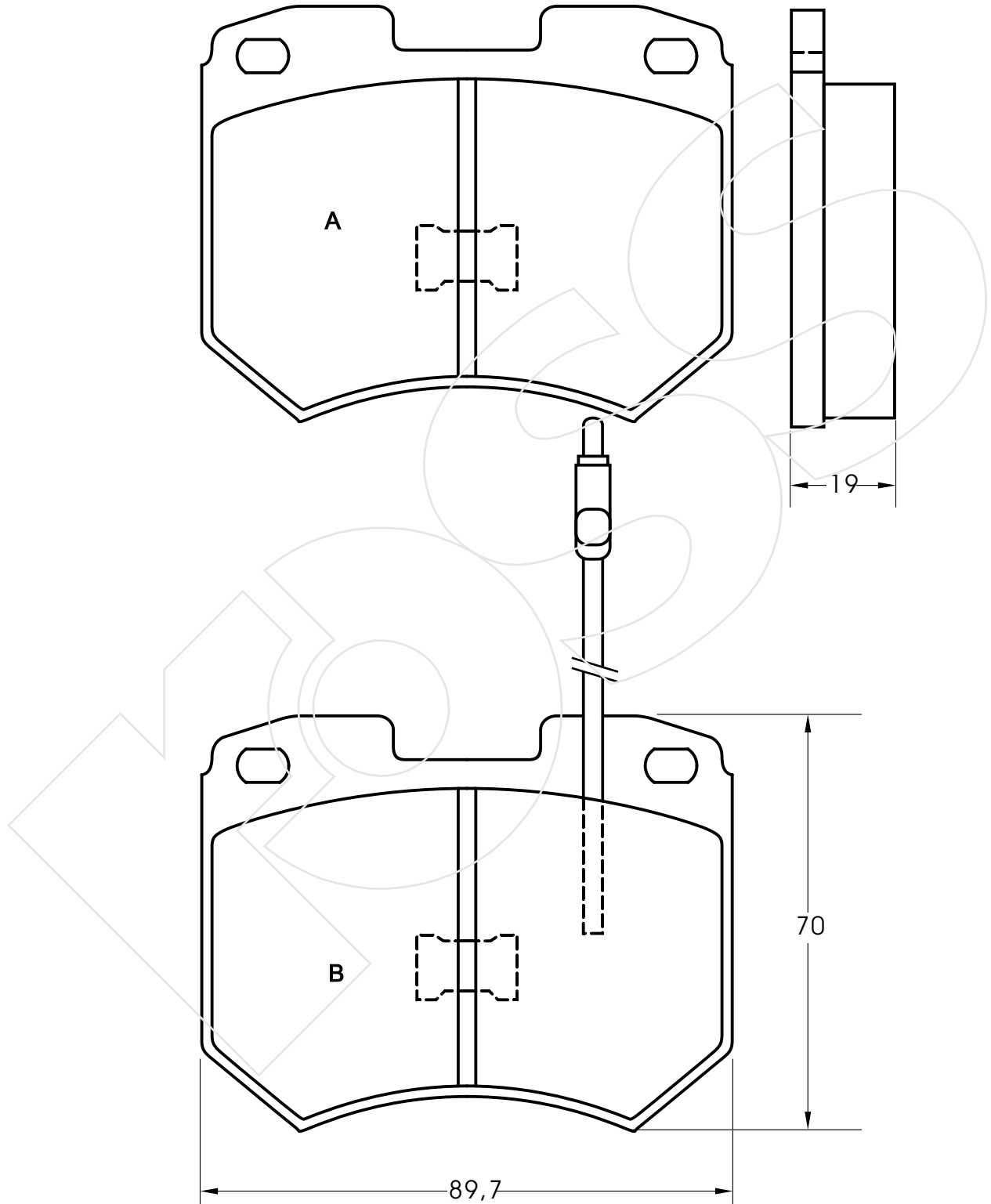
Reference in this Catalogue to other manufactures and to part numbers and other descriptions are for identification purposes only, because the above DISC BRAKE PADS are NOT ORIGINAL but with these interchangeable.

CODICE	IMPIANTO		ASSE	SCALA	APPLICAZIONI
<b>R-140</b>	GIRLING		ANTERIORE	1:1	SEAT
CODICE COMPONENTI	N°	L(mm)	SERIE		
*	*	*	4 PEZZI		
*	*	*			
*	*	*			
*	*	*			
CODICE ACCESSORI	N°	L(mm)	NOTE		
*	*	*			
*	*	*			
*	*	*			
*	*	*			



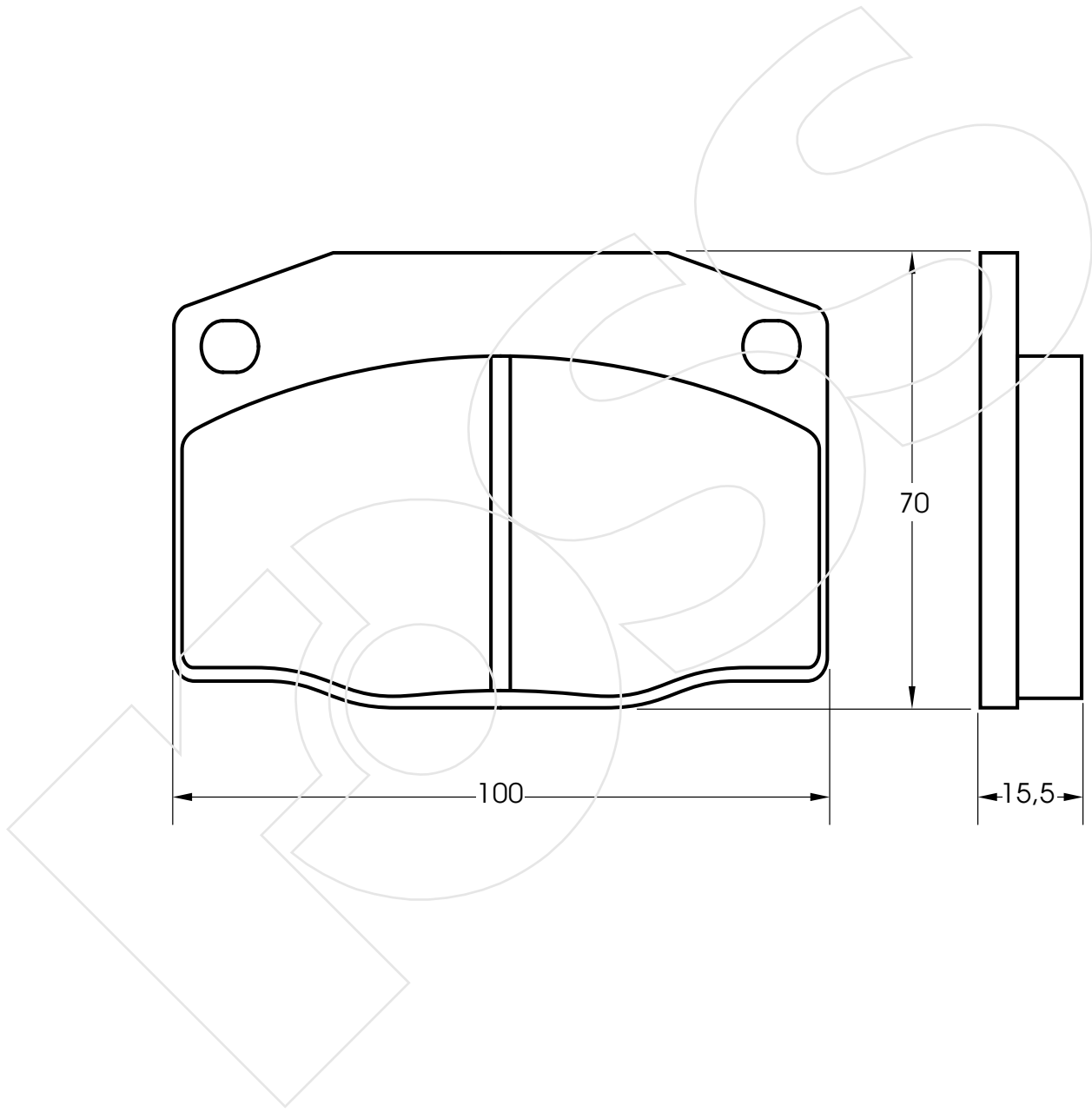
Reference in this Catalogue to other manufactures and to part numbers and other descriptions are for identification purposes only, because the above DISC BRAKE PADS are NOT ORIGINAL but with these interchangeable.

CODICE	IMPIANTO	ASSE	SCALA	APPLICAZIONI
<b>R-141</b>	ATE	ANTERIORE	1:1	AUDI
CODICE COMPONENTI	N°	L(mm)	SERIE	
*	*	*	2 PEZZI	TIPO A
F3004	2	175	2 PEZZI	TIPO B
CODICE ACCESSORI	N°	L(mm)	NOTE	
*	*			
*	*			
*	*			
*	*			



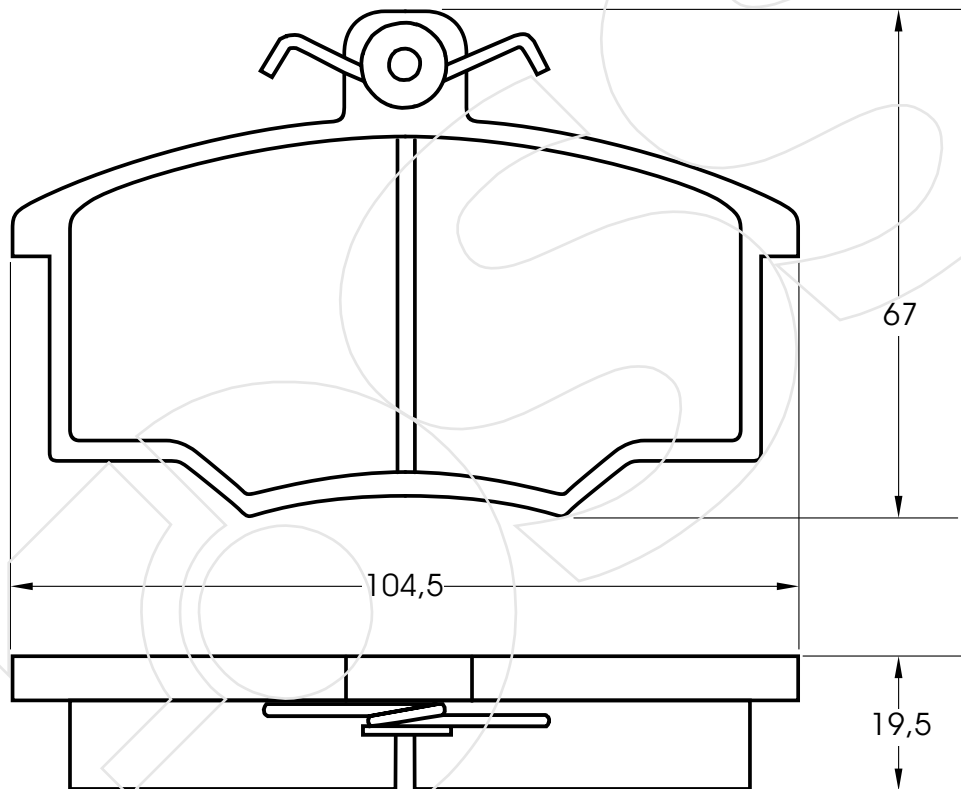
Reference in this Catalogue to other manufactures and to part numbers and other descriptions are for identification purposes only, because the above DISC BRAKE PADS are NOT ORIGINAL but with these interchangeable.

CODICE	IMPIANTO		ASSE	SCALA	APPLICAZIONI
<b>R-142</b>	DELCO		ANTERIORE	1:1	OPEL VAUXHALL
CODICE COMPONENTI	N°	L(mm)	SERIE		
*	*	*	4 PEZZI		
*	*	*			
*	*	*			
*	*	*			
CODICE ACCESSORI	N°	L(mm)	NOTE		
*	*	*			
*	*	*			
*	*	*			
*	*	*			



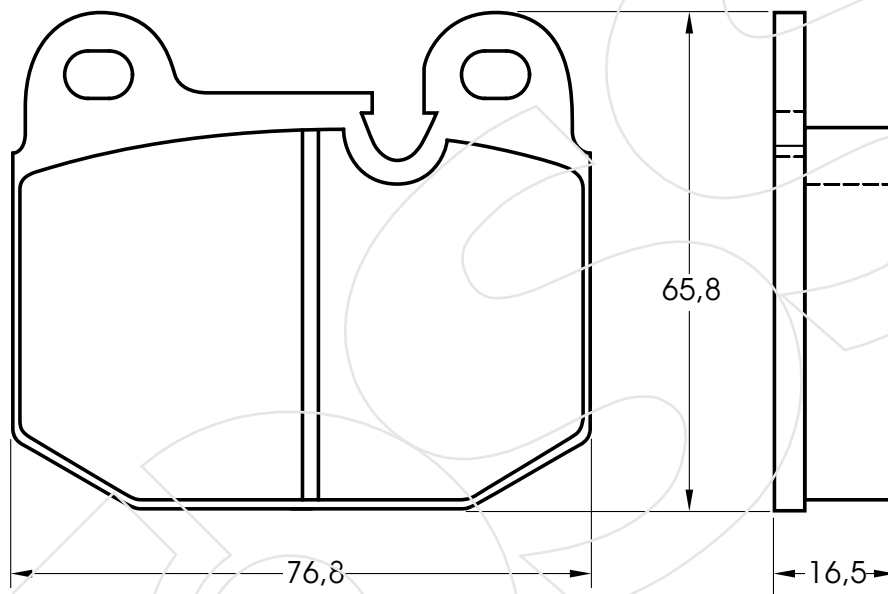
Reference in this Catalogue to other manufactures and to part numbers and other descriptions are for identification purposes only, because the above DISC BRAKE PADS are NOT ORIGINAL but with these interchangeable.

CODICE	IMPIANTO		ASSE	SCALA	APPLICAZIONI
<b>R-143</b>	GIRLING		ANTERIORE	1:1	AUDI VOLVO
CODICE COMPONENTI	N°	L(mm)	SERIE		
M0077+P1012	4+4	*	4 PEZZI		
*	*	*			
*	*	*			
*	*	*			
CODICE ACCESSORI	N°	L(mm)	NOTE		
*	*		*		
*	*		*		
*	*		*		
*	*		*		

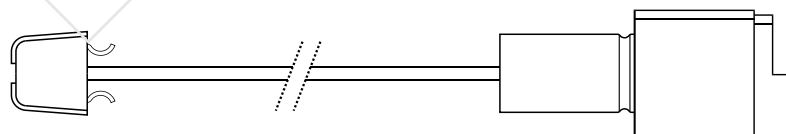


Reference in this Catalogue to other manufactures and to part numbers and other descriptions are for identification purposes only, because the above DISC BRAKE PADS are NOT ORIGINAL but with these interchangeable.

CODICE	IMPIANTO		ASSE	SCALA	APPLICAZIONI
<b>R-144</b>	ATE		ANTERIORE	1:1	ALFAROMEO BMW
CODICE COMPONENTI	N°	L(mm)	SERIE		
*	*	*	4 PEZZI		
*	*	*	*		
*	*	*	*		
*	*	*	*		
OPTIONAL	N°	L(mm)	NOTE		
F3080	2	160	*		
*	*	*	*		
*	*	*	*		
*	*	*	*		



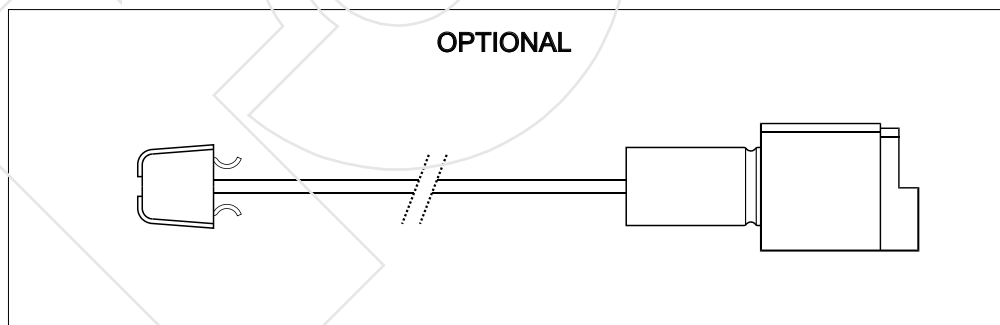
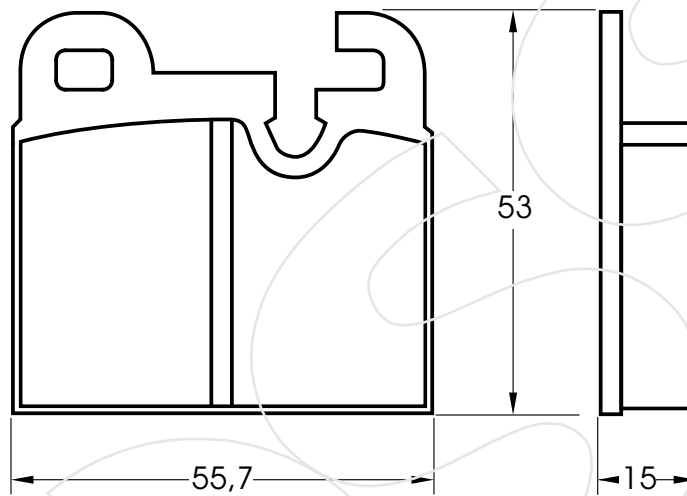
**OPTIONAL**



Reference in this Catalogue to other manufactures and to part numbers and other descriptions are for identification purposes only, because the above DISC BRAKE PADS are NOT ORIGINAL but with these interchangeable.

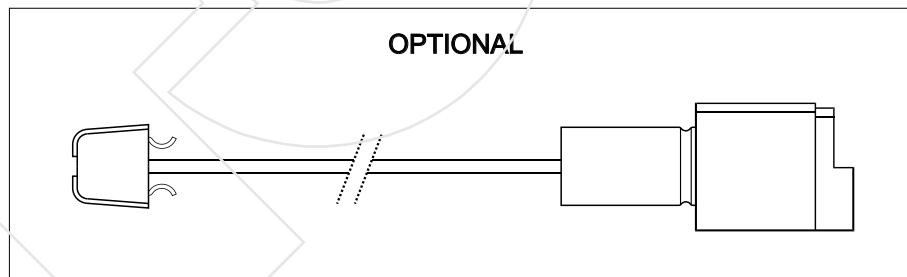
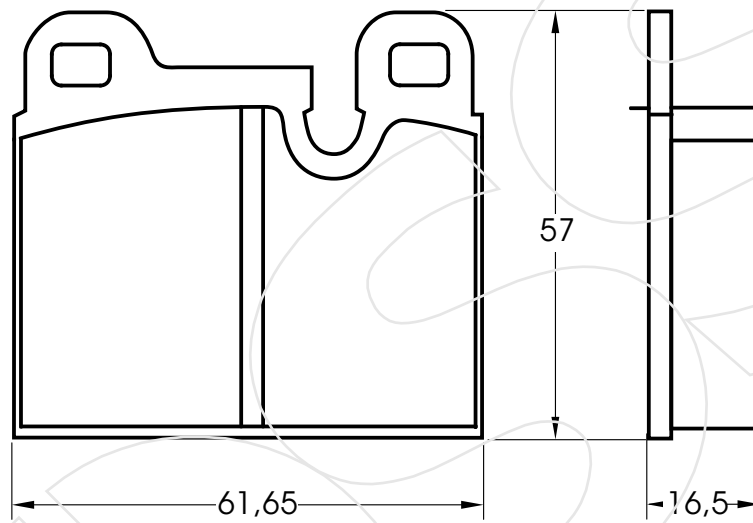


CODICE	IMPIANTO		ASSE	SCALA	APPLICAZIONI
<b>R-145</b>	ATE		POSTERIORE	1:1	BMW
CODICE COMPONENTI	N°	L(mm)	SERIE		
*	*	*	4 PEZZI		
*	*	*			
*	*	*			
*	*	*			
OPTIONAL	N°	L(mm)	NOTE		
F3080	2	160	*		
*	*	*	*		
*	*	*	*		
*	*	*	*		



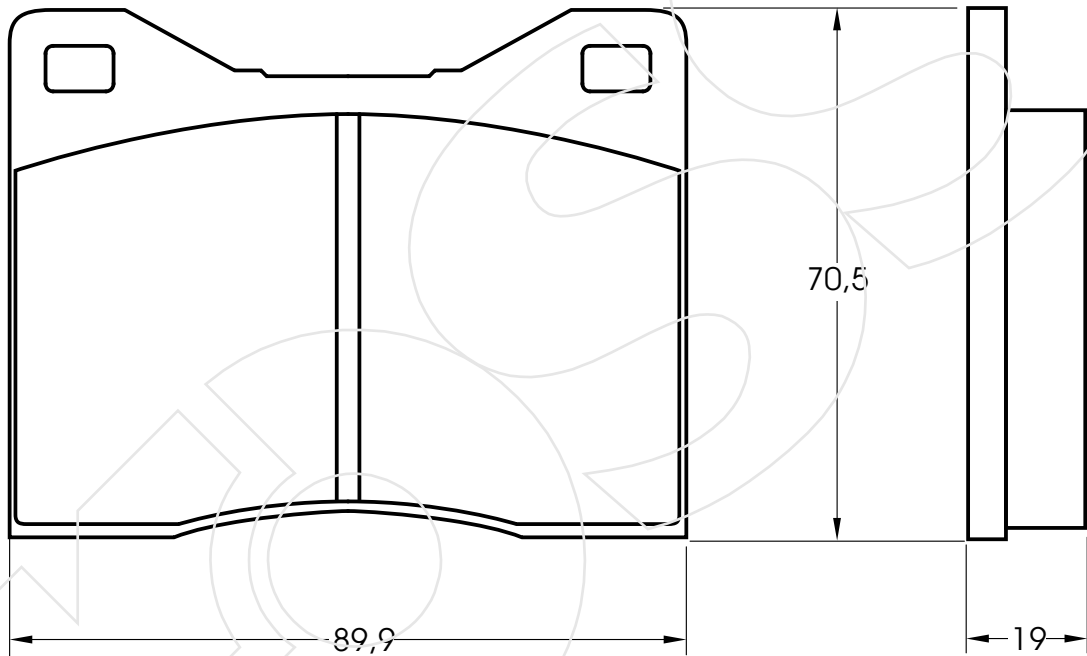
Reference in this Catalogue to other manufactures and to part numbers and other descriptions are for identification purposes only, because the above DISC BRAKE PADS are NOT ORIGINAL but with these interchangeable.

CODICE	IMPIANTO		ASSE	SCALA	APPLICAZIONI
<b>R-146</b>	ATE		POSTERIORE	1:1	ALFAROMEO BMW
CODICE COMPONENTI	N°	L(mm)	SERIE		
*	*	*	4 PEZZI		
*	*	*			
*	*	*			
*	*	*			
OPTIONAL	N°	L(mm)	NOTE		
F3080	2	160	*		
*	*	*	*		
*	*	*	*		
*	*	*	*		



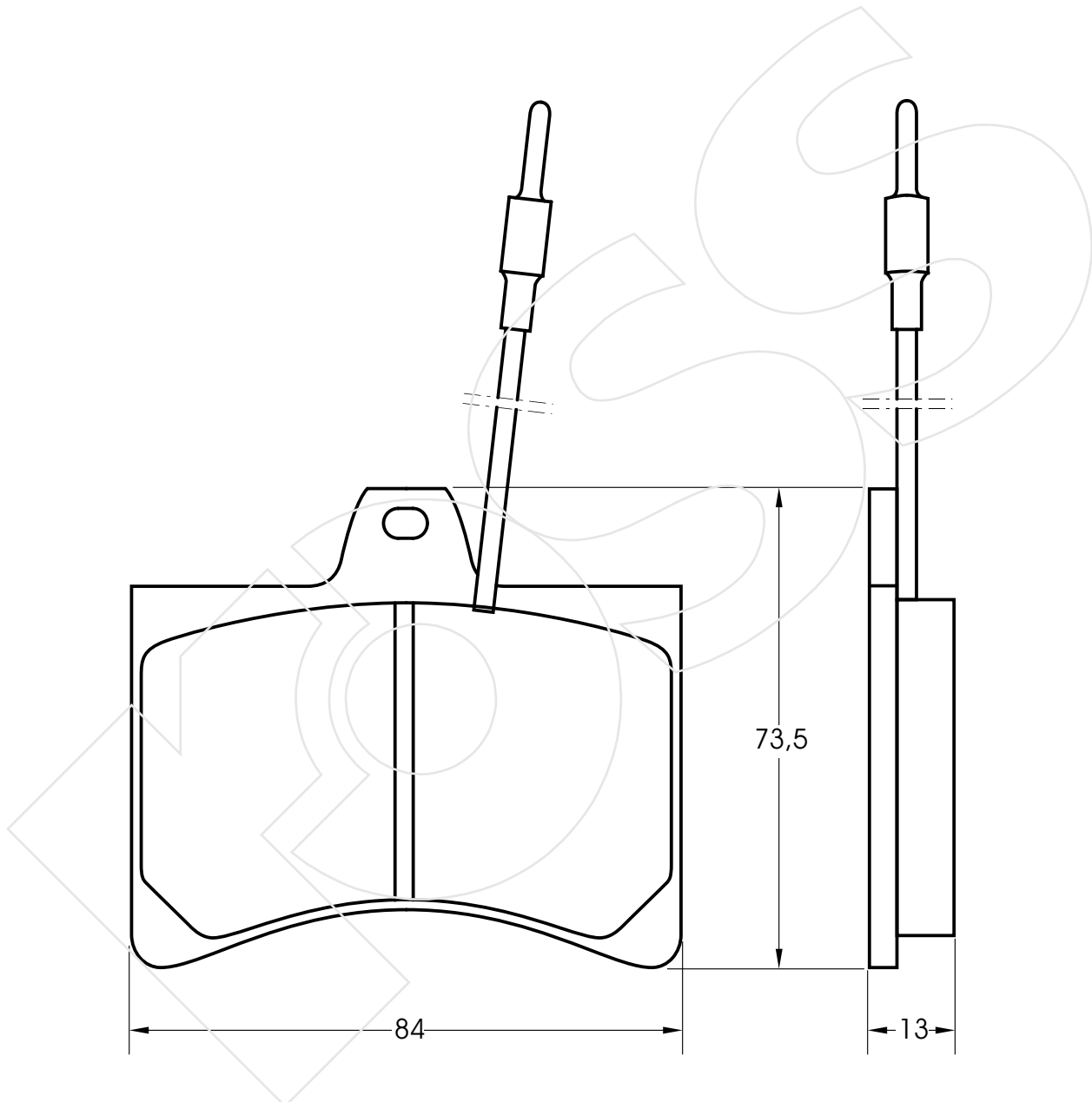
Reference in this Catalogue to other manufactures and to part numbers and other descriptions are for identification purposes only, because the above DISC BRAKE PADS are NOT ORIGINAL but with these interchangeable.

CODICE	IMPIANTO		ASSE	SCALA	APPLICAZIONI
<b>R-147</b>	ATE		ANTERIORE	1:1	BMW
CODICE COMPONENTI	N°	L(mm)	SERIE		
*	*	*	4 PEZZI		
*	*	*			
*	*	*			
*	*	*			
CODICE ACCESSORI	N°	L(mm)	NOTE		
*	*	*			
*	*	*			
*	*	*			
*	*	*			



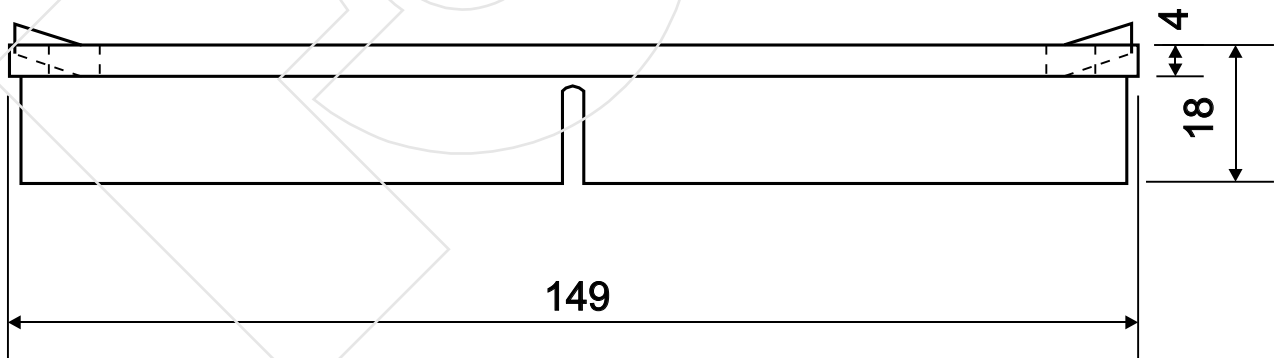
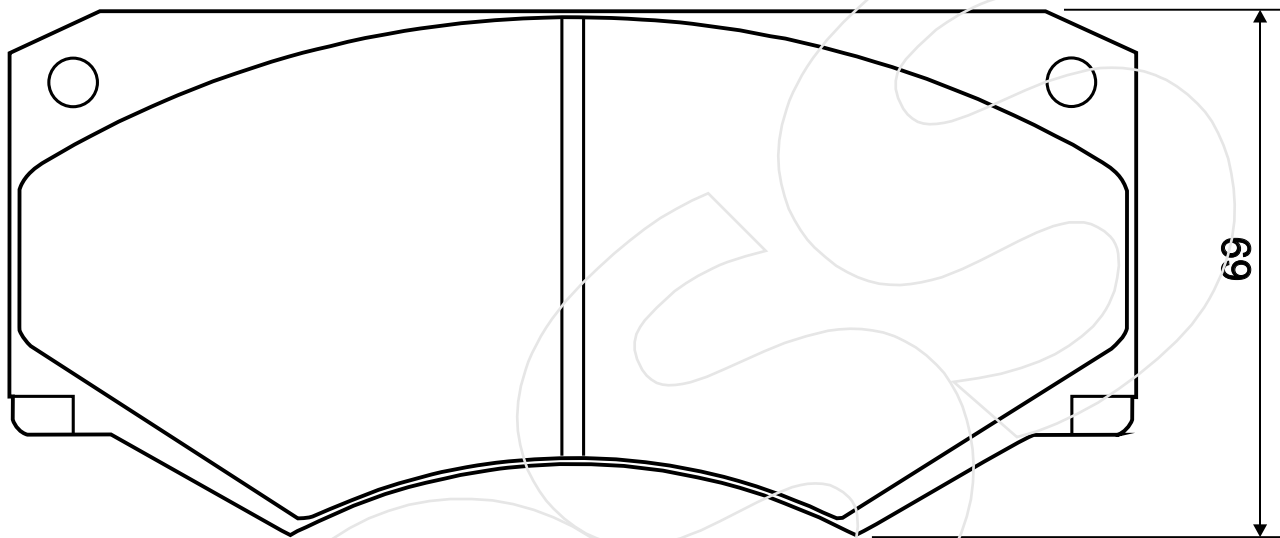
Reference in this Catalogue to other manufactures and to part numbers and other descriptions are for identification purposes only, because the above DISC BRAKE PADS are NOT ORIGINAL but with these interchangeable.

CODICE	IMPIANTO		ASSE	SCALA	APPLICAZIONI
<b>R-148</b>	CITROEN		ANTERIORE	1:1	CITROEN
CODICE COMPONENTI	N°	L(mm)	SERIE		
F3004	4	175	4 PEZZI		
*	*	*			
*	*	*			
*	*	*			
CODICE ACCESSORI	N°	L(mm)	NOTE		
*	*	*			
*	*	*			
*	*	*			
*	*	*			



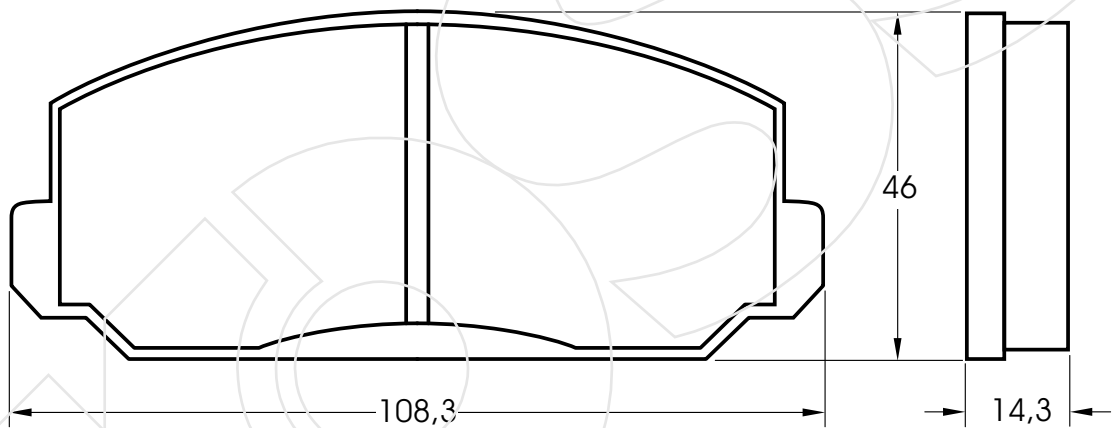
Reference in this Catalogue to other manufactures and to part numbers and other descriptions are for identification purposes only, because the above DISC BRAKE PADS are NOT ORIGINAL but with these interchangeable.

CODICE	IMPIANTO	ASSE	SCALA	APPLICAZIONI
<b>R-149</b>	PERROT	ANTERIORE	1:1	MERCEDES
CODICE COMPONENTI	N°	L(mm)	SERIE	
*	*	*	4 PEZZI	
*	*		*	
*	*		*	
CODICE ACCESSORI	N°	L(mm)	NOTE	
*	*		*	
*	*		*	
*	*		*	
*	*		*	



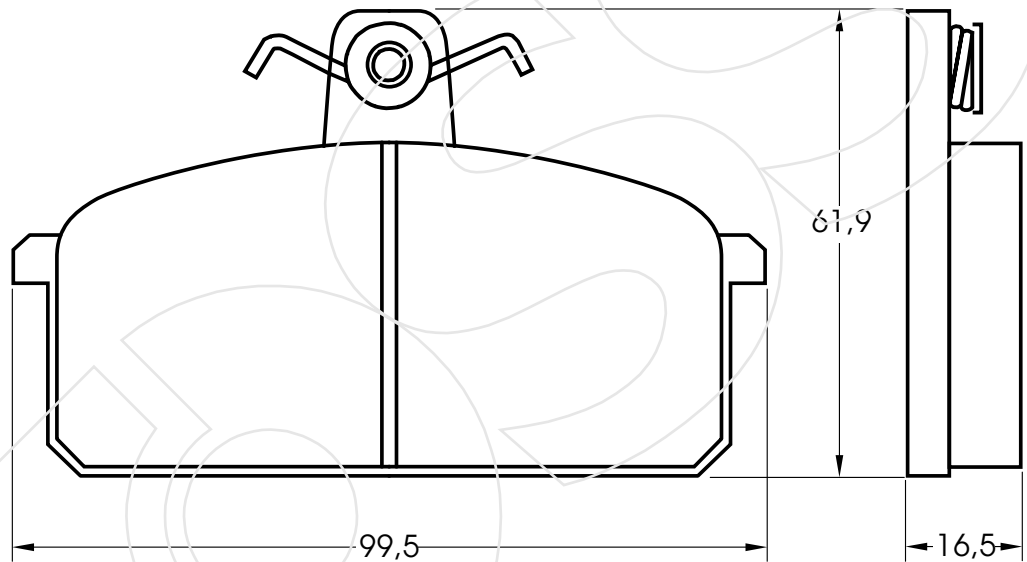
Reference in this Catalogue to other manufactures and to part numbers and other descriptions are for identification purposes only, because the above DISC BRAKE PADS are NOT ORIGINAL but with these interchangeable.

CODICE	IMPIANTO	ASSE	SCALA	APPLICAZIONI
<b>R-150</b>	AKEBONO	ANTERIORE	1:1	DAIHATSU HONDA
CODICE COMPONENTI	N°	L(mm)	SERIE	
*	*	*	4 PEZZI	
*	*	*		
*	*	*		
*	*	*		
CODICE ACCESSORI	N°	L(mm)	NOTE	
*	*	*		
*	*	*		
*	*	*		
*	*	*		



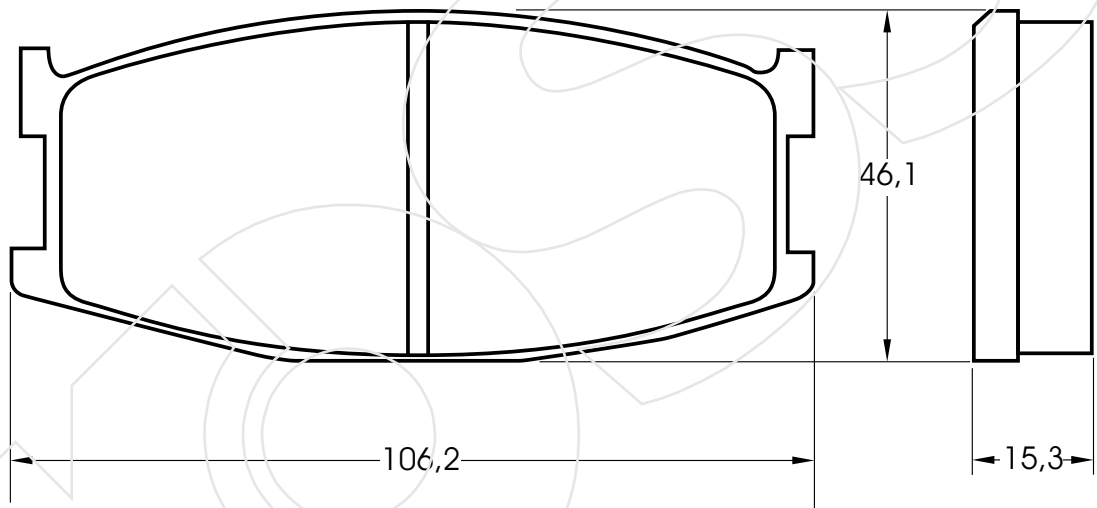
Reference in this Catalogue to other manufactures and to part numbers and other descriptions are for identification purposes only, because the above DISC BRAKE PADS are NOT ORIGINAL but with these interchangeable.

CODICE	IMPIANTO		ASSE	SCALA	APPLICAZIONI
<b>R-151</b>	GIRLING		ANTERIORE	1:1	AUTOBIANCHI LANCIA SEAT SUZUKI
CODICE COMPONENTI	N°	L(mm)	SERIE		
M0077+P1011	4+4	*	4 PEZZI		
*	*	*			
*	*	*			
*	*	*			
CODICE ACCESSORI	N°	L(mm)	NOTE		
*	*		*		
*	*		*		
*	*		*		
*	*		*		



Reference in this Catalogue to other manufactures and to part numbers and other descriptions are for identification purposes only, because the above DISC BRAKE PADS are NOT ORIGINAL but with these interchangeable.

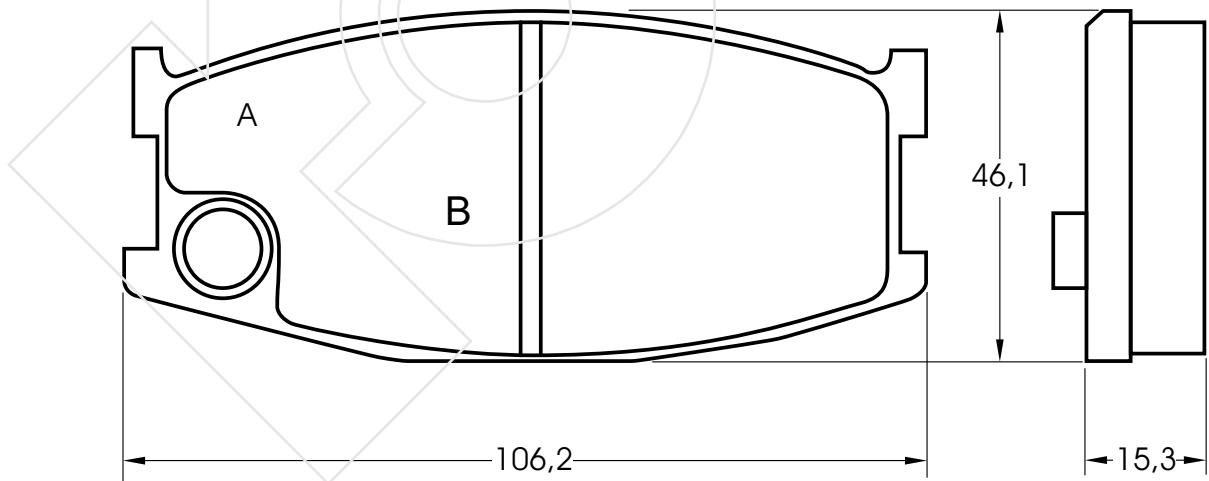
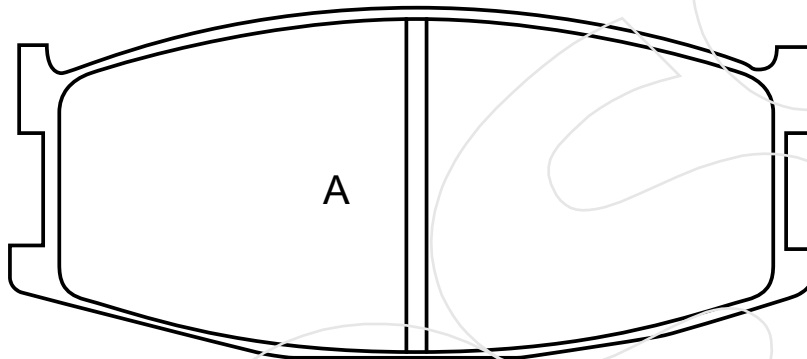
CODICE	IMPIANTO		ASSE	SCALA	APPLICAZIONI
<b>R-152-1</b>	SUMITOMO		ANTERIORE	1:1	MAZDA
CODICE COMPONENTI	N°	L(mm)	SERIE		
*	*	*	4 PEZZI		
*	*	*			
*	*	*			
*	*	*			
CODICE ACCESSORI	N°	L(mm)	NOTE		
*	*	*			
*	*	*			
*	*	*			
*	*	*			



Reference in this Catalogue to other manufactures and to part numbers and other descriptions are for identification purposes only, because the above DISC BRAKE PADS are NOT ORIGINAL but with these interchangeable.

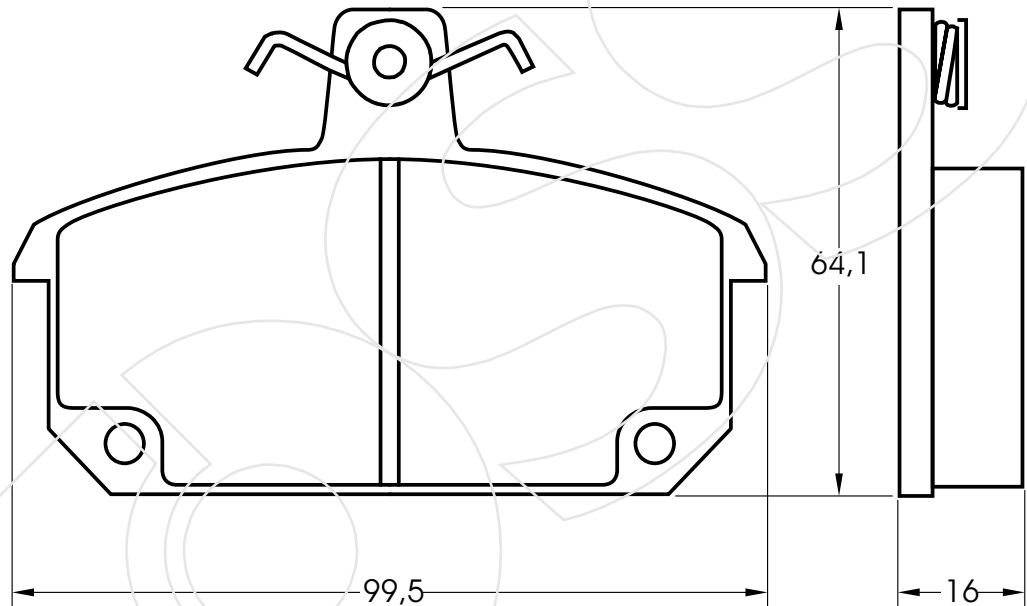


CODICE	IMPIANTO	ASSE	SCALA	APPLICAZIONI
<b>R-152</b>	SUMITOMO	ANTERIORE	1:1	MAZDA
CODICE COMPONENTI	N°	L(mm)	SERIE	
*	*	*	3 PEZZI TIPO A	
B2001	1	*	1 PEZZO TIPO B	
*	*	*		
*	*	*		
CODICE ACCESSORI	N°	L(mm)	NOTE	
*	*	*		
*	*	*		
*	*	*		
*	*	*		



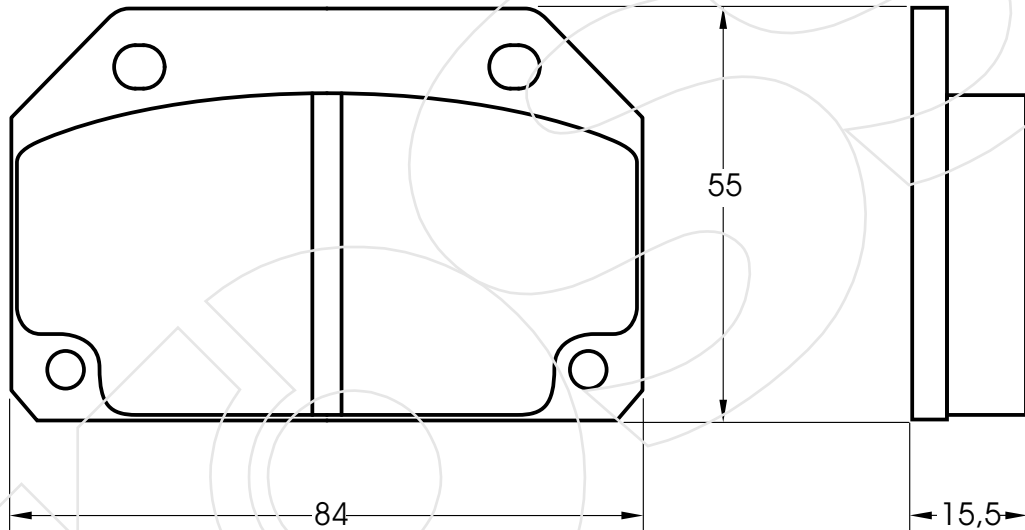
Reference in this Catalogue to other manufactures and to part numbers and other descriptions are for identification purposes only, because the above DISC BRAKE PADS are NOT ORIGINAL but with these interchangeable.

CODICE	IMPIANTO		ASSE	SCALA	APPLICAZIONI
<b>R-153</b>	GIRLING		ANTERIORE	1:1	RENAULT
CODICE COMPONENTI	N°	L(mm)	SERIE		
M0077+P1011	4+4	*	4 PEZZI		
*	*	*			
*	*	*			
*	*	*			
CODICE ACCESSORI	N°	L(mm)	NOTE		
*	*	*			
*	*	*			
*	*	*			
*	*	*			



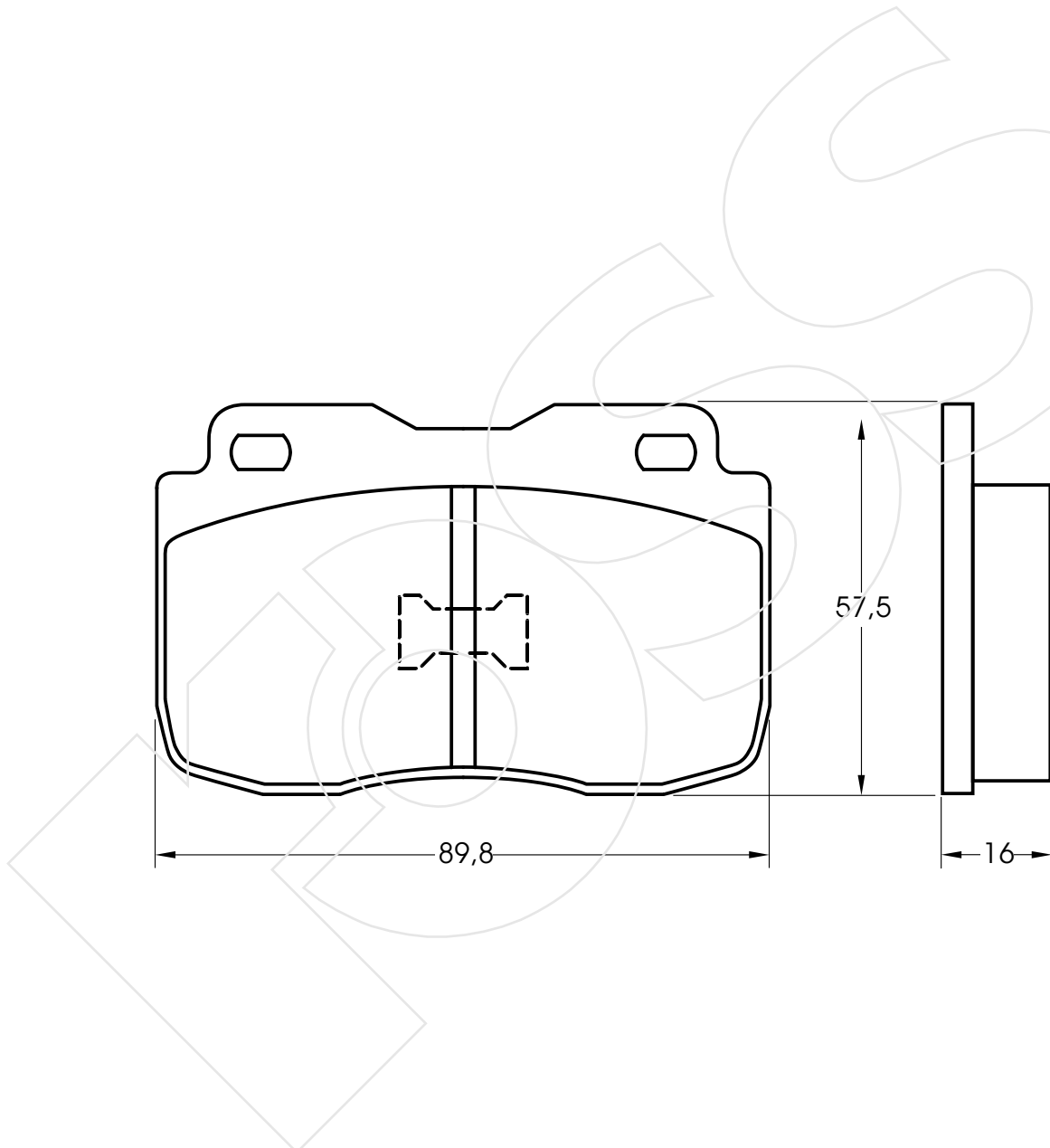
Reference in this Catalogue to other manufactures and to part numbers and other descriptions are for identification purposes only, because the above DISC BRAKE PADS are NOT ORIGINAL but with these interchangeable.

CODICE	IMPIANTO	ASSE	SCALA	APPLICAZIONI
<b>R-154</b>	BENDIX	ANTERIORE	1:1	TALBOT
CODICE COMPONENTI	N°	L(mm)	SERIE	
*	*	*	4 PEZZI	
F3048	2	110		
*	*	*		
*	*	*		
CODICE ACCESSORI	N°	L(mm)	NOTE	
*	*	*		
*	*	*		
*	*	*		
*	*	*		



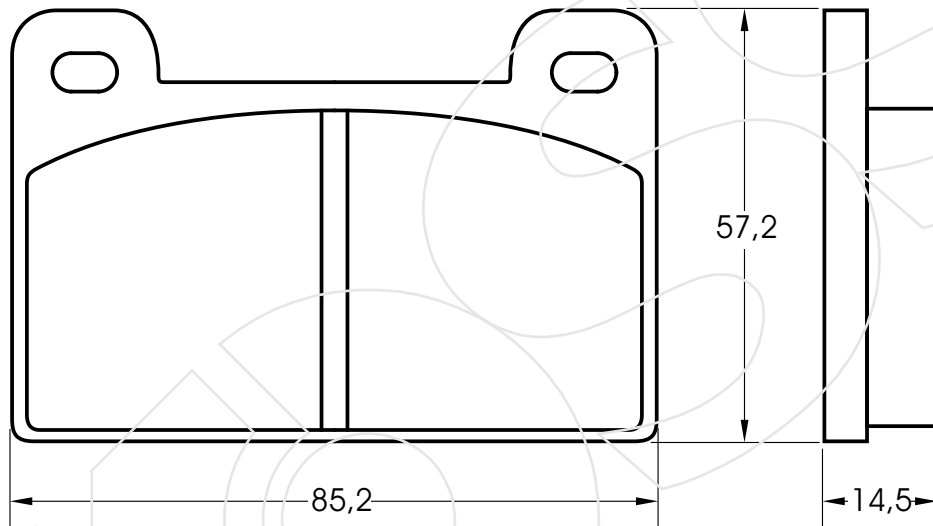
Reference in this Catalogue to other manufactures and to part numbers and other descriptions are for identification purposes only, because the above DISC BRAKE PADS are NOT ORIGINAL but with these interchangeable.

CODICE	IMPIANTO		ASSE	SCALA	APPLICAZIONI
<b>R-156</b>	ATE		ANTERIORE	1:1	FIAT
CODICE COMPONENTI	N°	L(mm)	SERIE		
*	*	*	4 PEZZI		
*	*	*			
*	*	*			
*	*	*			
CODICE ACCESSORI	N°	L(mm)	NOTE		
*	*	*			
*	*	*			
*	*	*			
*	*	*			



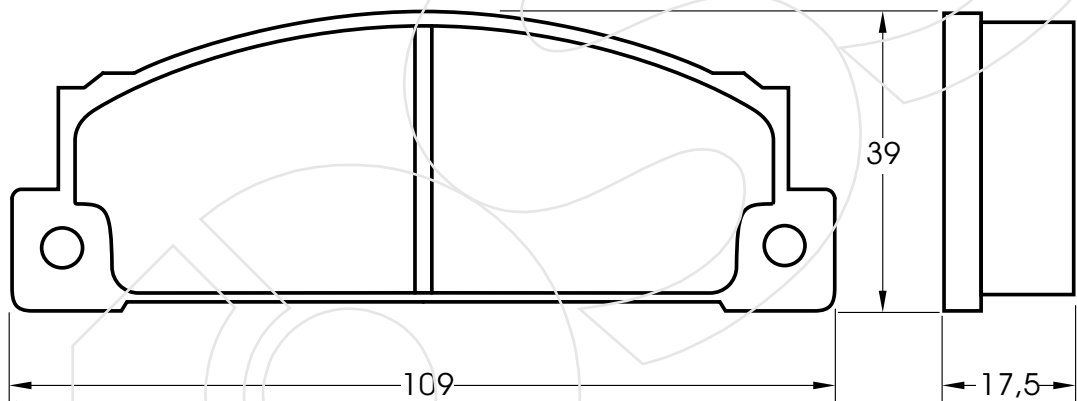
Reference in this Catalogue to other manufactures and to part numbers and other descriptions are for identification purposes only, because the above DISC BRAKE PADS are NOT ORIGINAL but with these interchangeable.

CODICE	IMPIANTO	ASSE	SCALA	APPLICAZIONI
<b>R-157</b>	LUCAS	ANTERIORE	1:1	WARTBURG
CODICE COMPONENTI	N°	L(mm)	SERIE	
*	*	*	4 PEZZI	
*	*	*		
*	*	*		
*	*	*		
CODICE ACCESSORI	N°	L(mm)	NOTE	
*	*	*		
*	*	*		
*	*	*		
*	*	*		



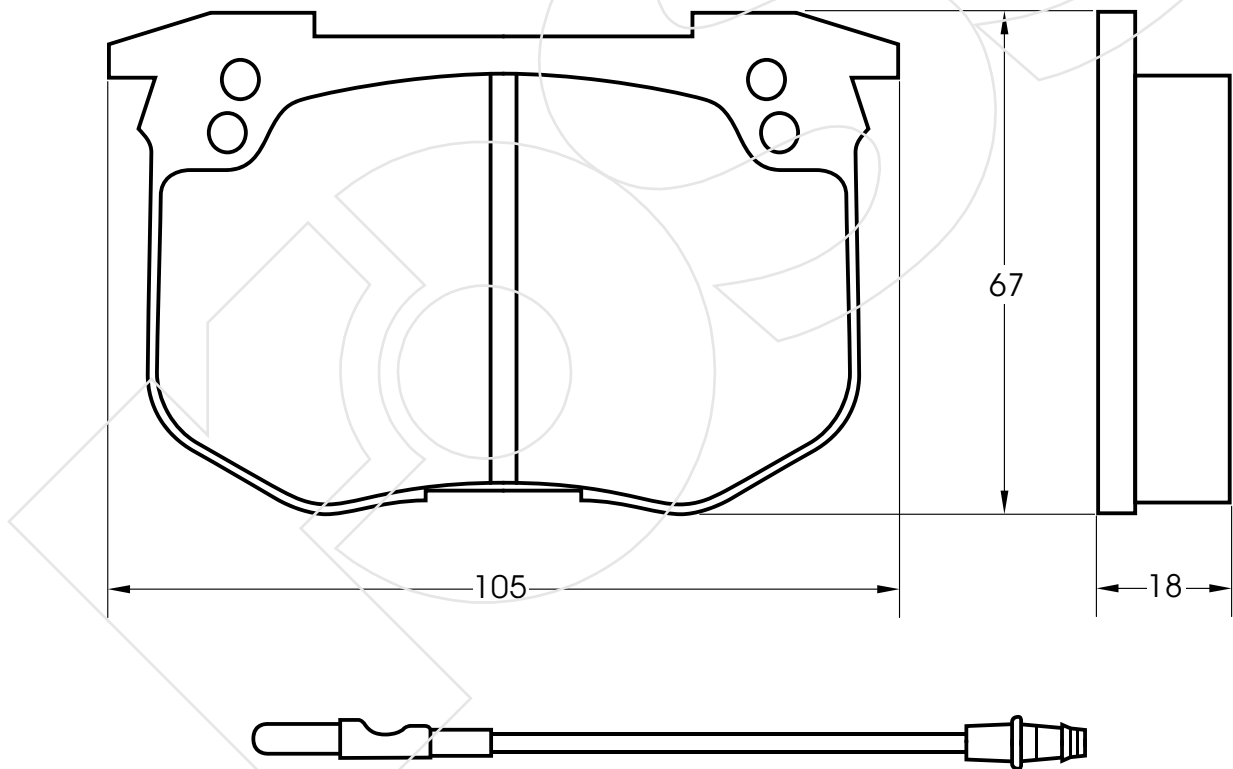
Reference in this Catalogue to other manufactures and to part numbers and other descriptions are for identification purposes only, because the above DISC BRAKE PADS are NOT ORIGINAL but with these interchangeable.

CODICE	IMPIANTO		ASSE	SCALA	APPLICAZIONI
<b>R-158</b>	BENDIX		ANTERIORE	1:1	FIAT SEAT YUGO
CODICE COMPONENTI	N°	L(mm)	SERIE		
*	*	*	4 PEZZI		
F3000	2	*			
*	*	*			
*	*	*			
*	*	*			
CODICE ACCESSORI	N°	L(mm)	NOTE		
*	*	*	*		
*	*	*	*		
*	*	*	*		
*	*	*	*		



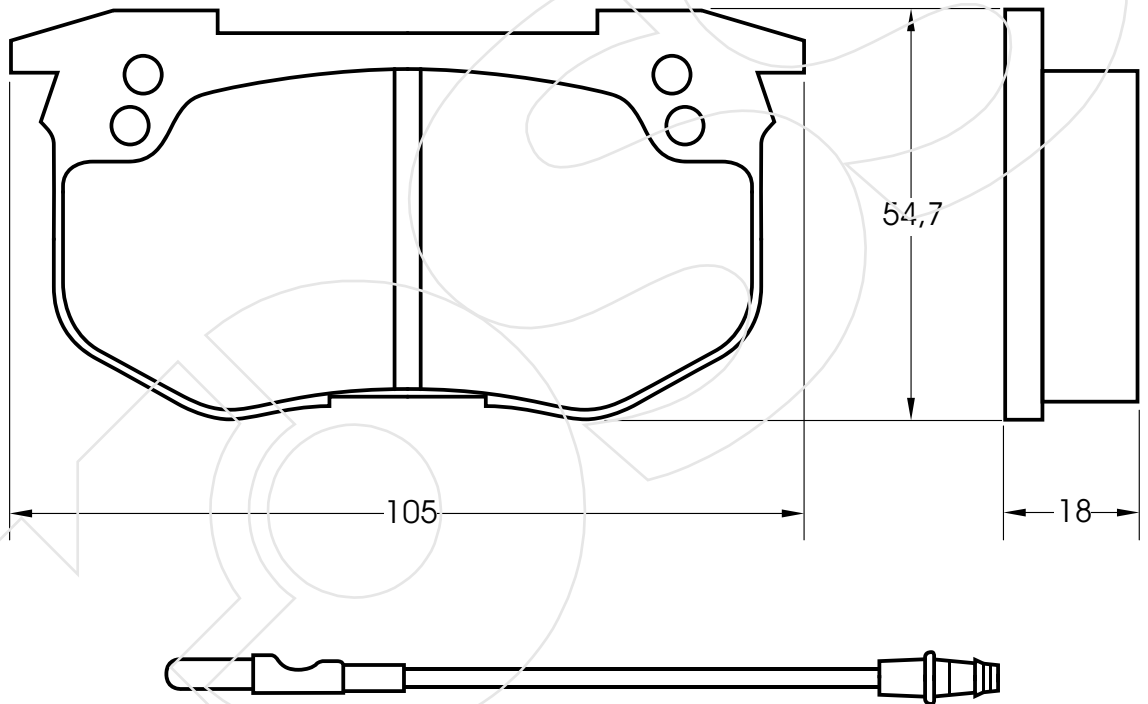
Reference in this Catalogue to other manufactures and to part numbers and other descriptions are for identification purposes only, because the above DISC BRAKE PADS are NOT ORIGINAL but with these interchangeable.

CODICE	IMPIANTO		ASSE	SCALA	APPLICAZIONI
<b>R-159</b>	BENDIX		ANTERIORE	1:1	RENAULT TALBOT
CODICE COMPONENTI	N°	L(mm)	SERIE		
*	*	*	4 PEZZI		
F3049	2	130			
*	*	*			
*	*	*			
CODICE ACCESSORI	N°	L(mm)	NOTE		
*	*	*			
*	*	*			
*	*	*			
*	*	*			



Reference in this Catalogue to other manufactures and to part numbers and other descriptions are for identification purposes only, because the above DISC BRAKE PADS are NOT ORIGINAL but with these interchangeable.

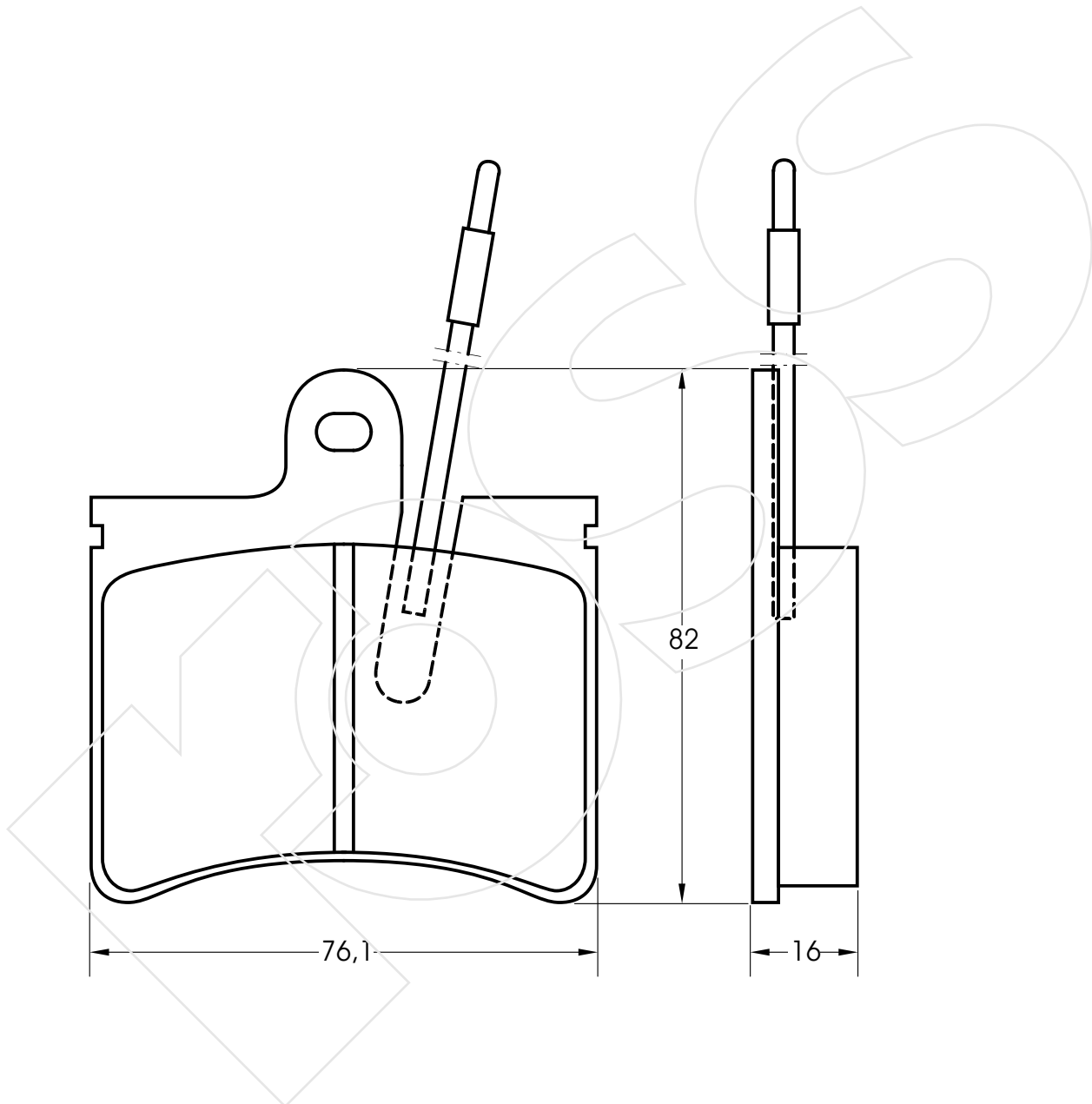
CODICE	IMPIANTO		ASSE	SCALA	APPLICAZIONI
<b>R-160</b>	BENDIX		ANTERIORE	1:1	RENAULT
CODICE COMPONENTI	N°	L(mm)	SERIE		
*	*	*	4 PEZZI		
F3049	2	130			
*	*	*			
*	*	*			
CODICE ACCESSORI	N°	L(mm)	NOTE		
*	*	*			
*	*	*			
*	*	*			
*	*	*			



Reference in this Catalogue to other manufactures and to part numbers and other descriptions are for identification purposes only, because the above DISC BRAKE PADS are NOT ORIGINAL but with these interchangeable.

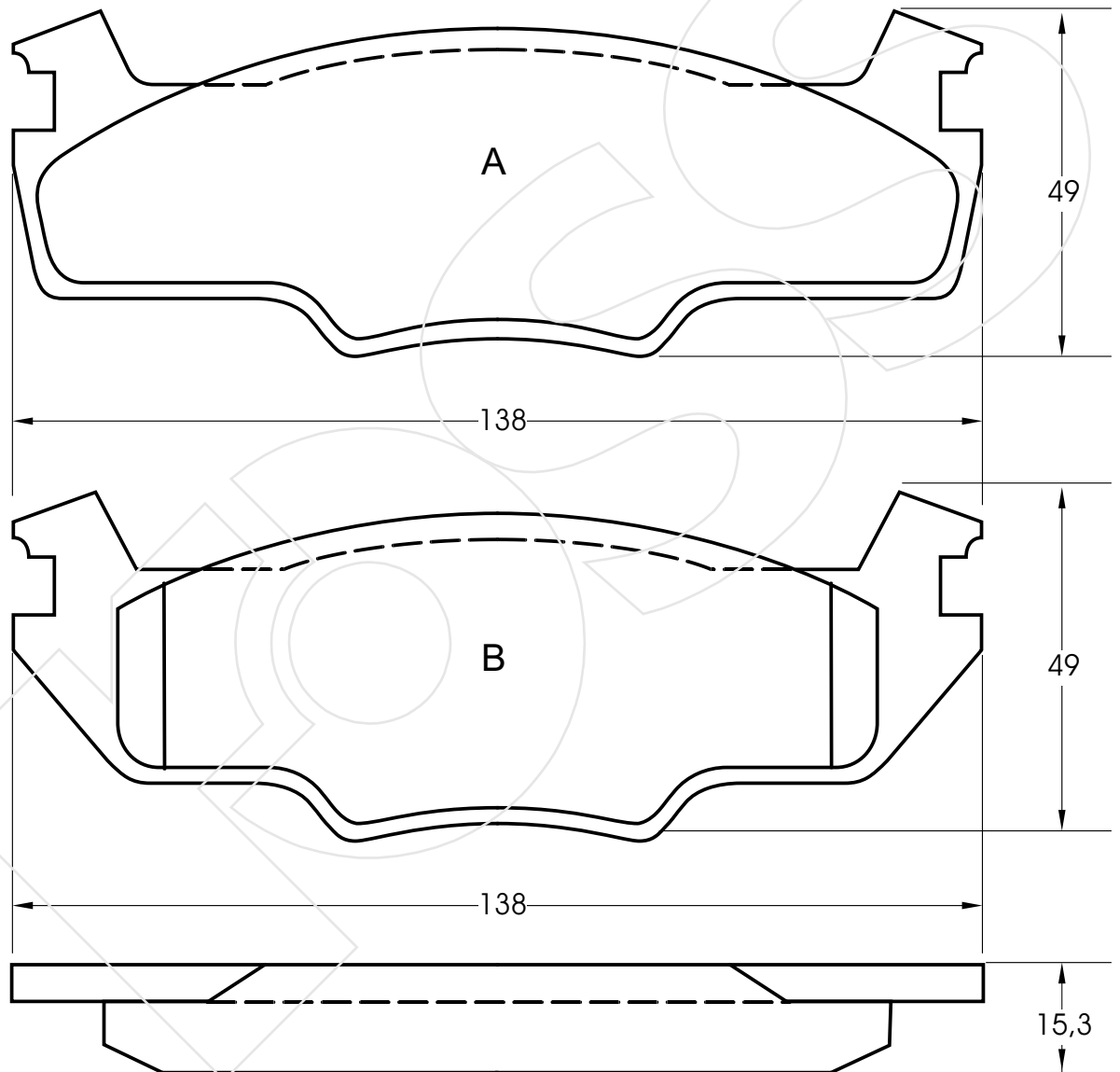


CODICE	IMPIANTO		ASSE	SCALA	APPLICAZIONI
<b>R-161</b>	CITROEN		ANTERIORE	1:1	CITROEN
CODICE COMPONENTI	N°	L(mm)	SERIE		
F3001	4	110	4 PEZZI		
*	*	*			
*	*	*			
*	*	*			
CODICE ACCESSORI	N°	L(mm)	NOTE		
*	*	*			
*	*	*			
*	*	*			
*	*	*			



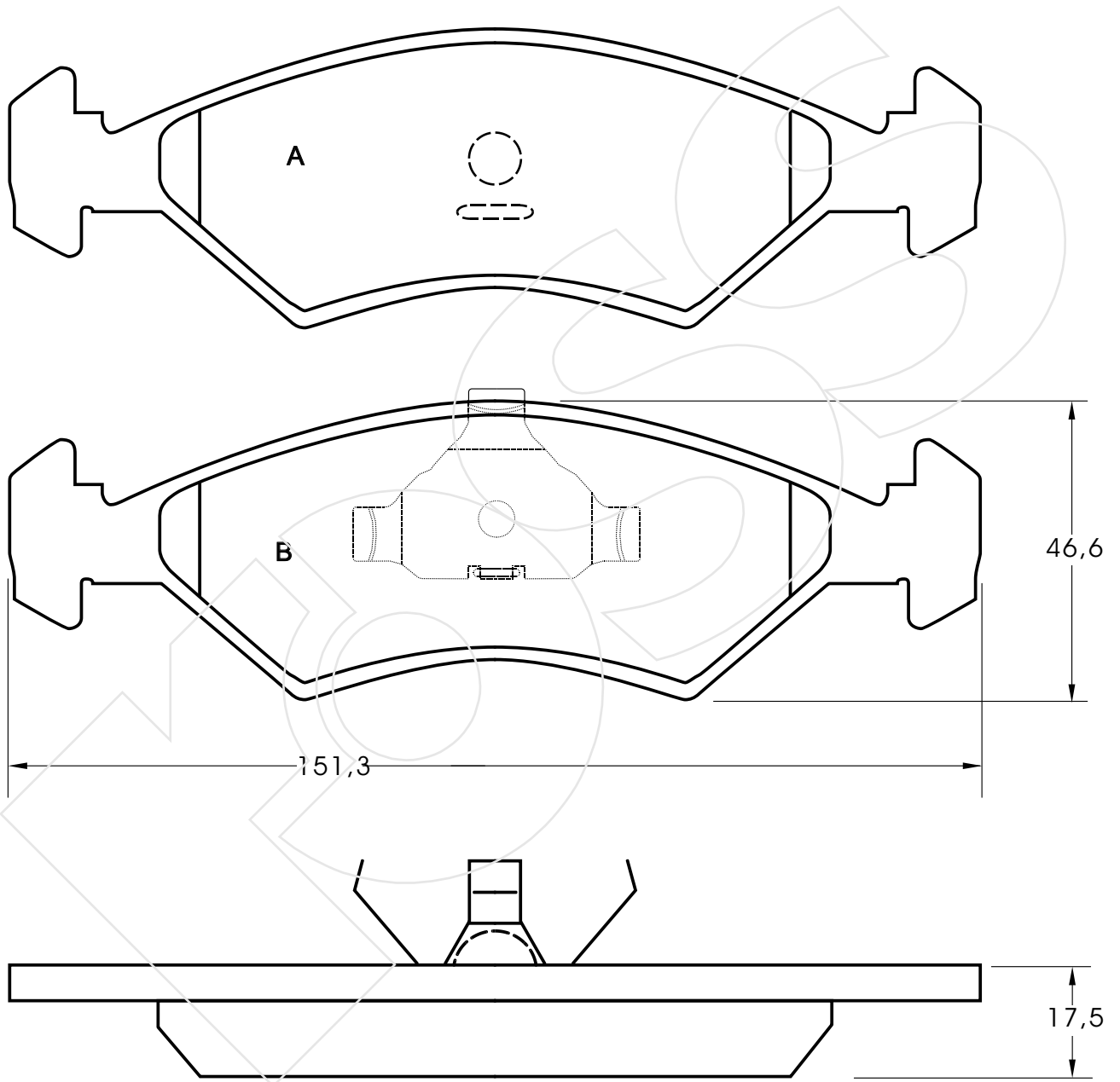
Reference in this Catalogue to other manufactures and to part numbers and other descriptions are for identification purposes only, because the above DISC BRAKE PADS are NOT ORIGINAL but with these interchangeable.

CODICE	IMPIANTO		ASSE	SCALA	APPLICAZIONI
<b>R-162</b>	ATE		ANTERIORE	1:1	VOLKSWAGEN
CODICE COMPONENTI	N°	L(mm)	SERIE		
*	*	*	2 PEZZI TIPO A		
*	*	*	2 PEZZI TIPO B		
*	*	*			
CODICE ACCESSORI	N°	L(mm)	NOTE		
*	*	*			
*	*	*			
*	*	*			
*	*	*			



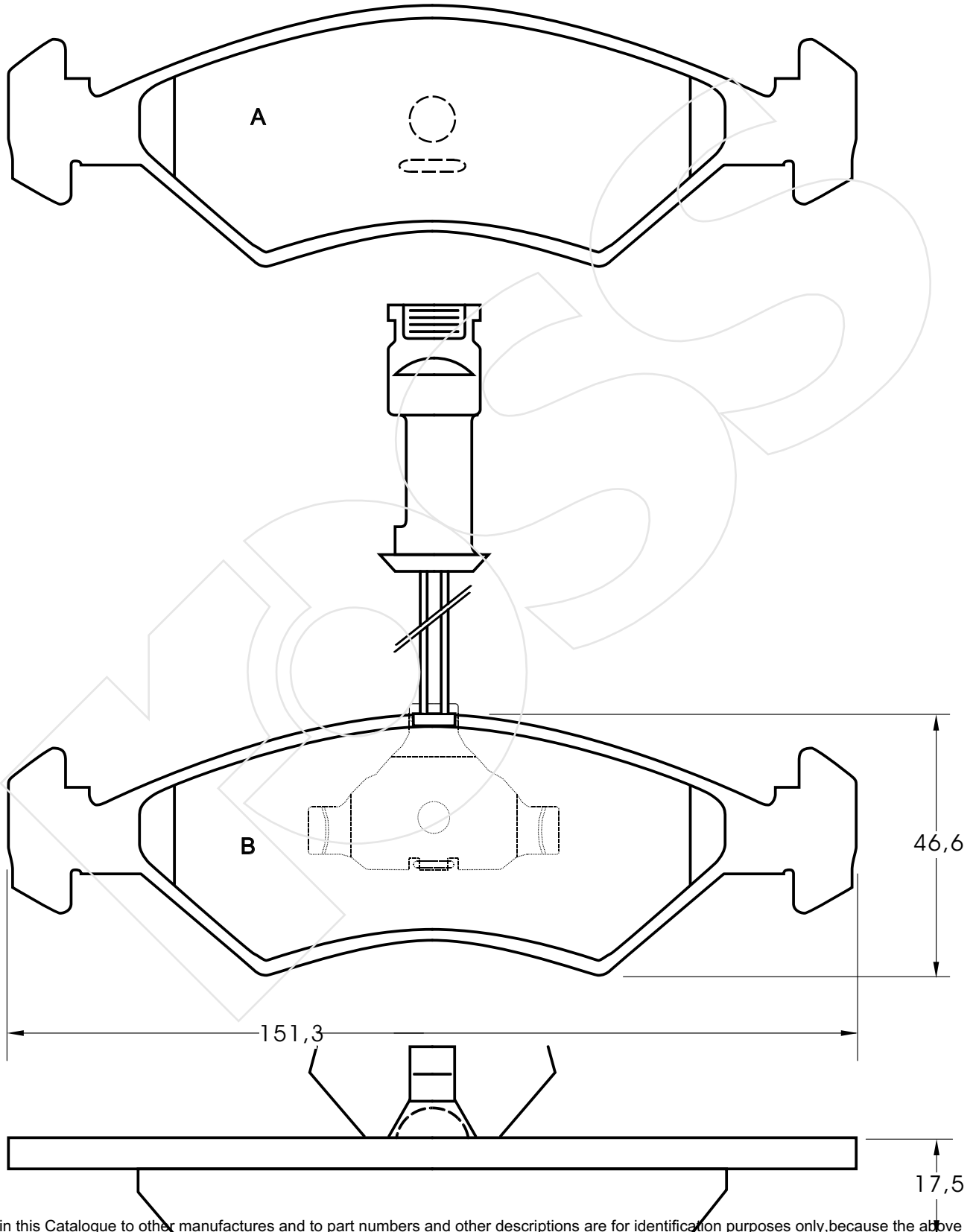
Reference in this Catalogue to other manufactures and to part numbers and other descriptions are for identification purposes only, because the above DISC BRAKE PADS are NOT ORIGINAL but with these interchangeable.

CODICE	IMPIANTO		ASSE	SCALA	APPLICAZIONI
<b>R-163-1</b>	ATE		ANTERIORE/POSTERIORE	1:1	FORD
CODICE COMPONENTI	N°	L(mm)	SERIE		
*	*	*	2 PEZZI TIPO A		
M0011+P1002	2+2	*	2 PEZZI TIPO B		
CODICE ACCESSORI	N°	L(mm)	NOTE		
*	*				
*	*				
*	*				
*	*				



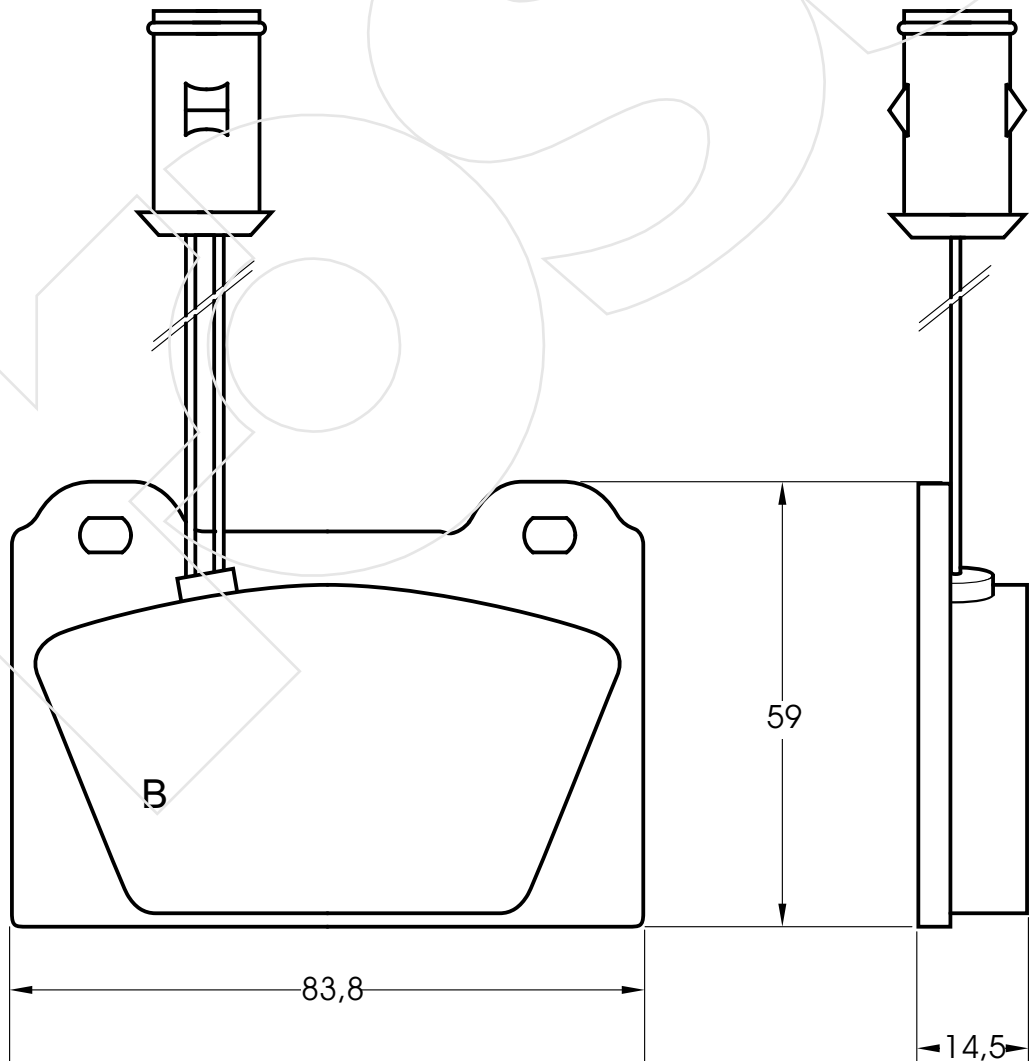
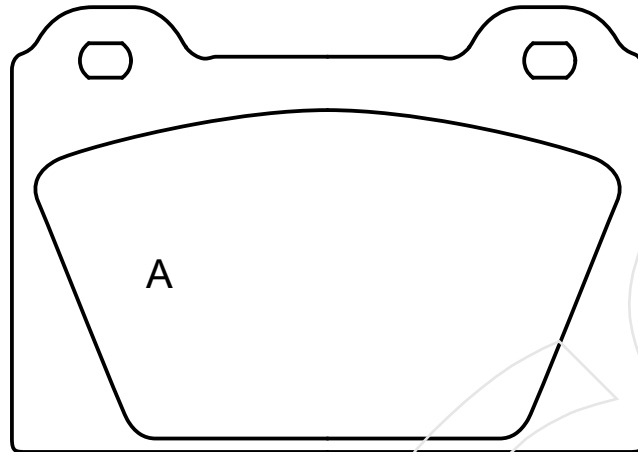
Reference in this Catalogue to other manufactures and to part numbers and other descriptions are for identification purposes only, because the above DISC BRAKE PADS are NOT ORIGINAL but with these interchangeable.

CODICE	IMPIANTO		ASSE	SCALA	APPLICAZIONI
<b>R-163</b>	ATE		ANTERIORE	1:1	FORD
CODICE COMPONENTI	N°	L(mm)	SERIE		
*	*	*	2 PEZZI	TIPO A	
M0011+P1002+F3021	2+2+2	160	2 PEZZI	TIPO B	
CODICE ACCESSORI	N°	L(mm)	NOTE		
*	*				
*	*				
*	*				
*	*				



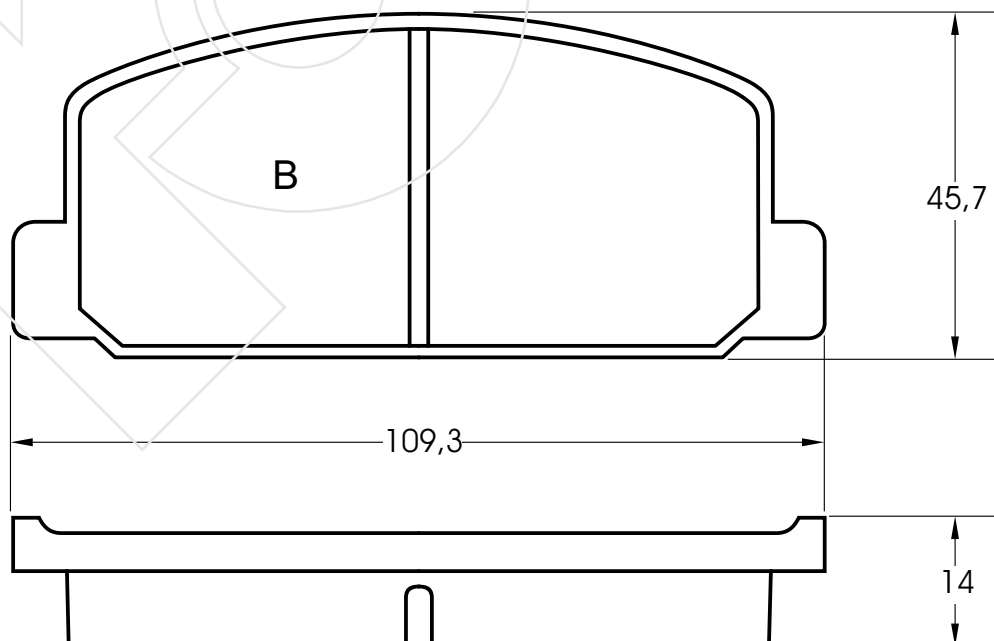
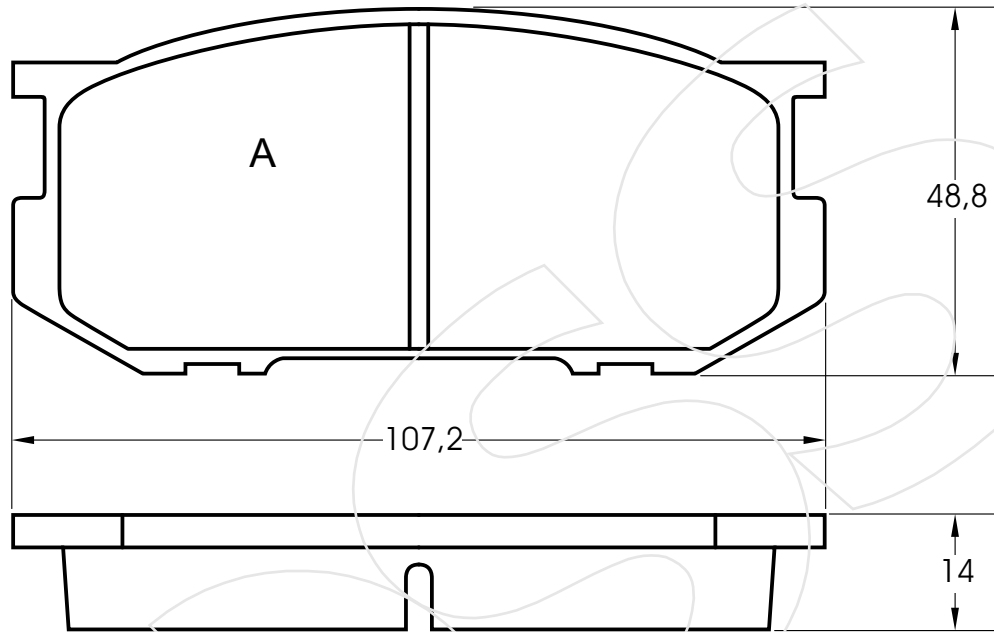
Reference in this Catalogue to other manufactures and to part numbers and other descriptions are for identification purposes only, because the above DISC BRAKE PADS are NOT ORIGINAL but with these interchangeable.

CODICE	IMPIANTO	ASSE	SCALA	APPLICAZIONI
<b>R-164</b>	ATE	ANTERIORE	1:1	ROVER
CODICE COMPONENTI	N°	L(mm)	SERIE	
*	*	*	2 PEZZI TIPO A	
F3022	2	160	2 PEZZI TIPO B	
*	*	*		
CODICE ACCESSORI	N°	L(mm)	NOTE	
*	*	*		
*	*	*		
*	*	*		
*	*	*		



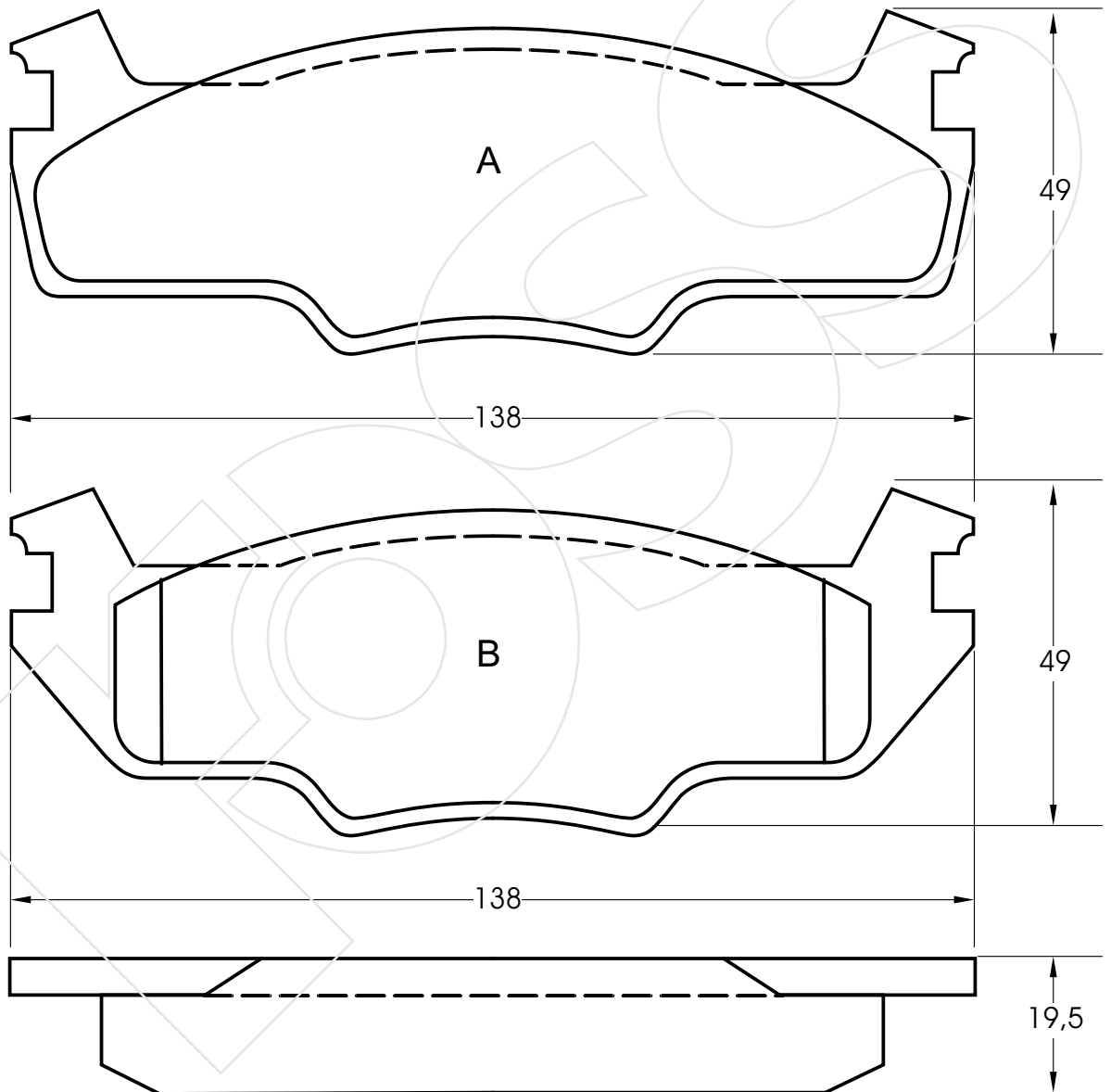
Reference in this Catalogue to other manufactures and to part numbers and other descriptions are for identification purposes only, because the above DISC BRAKE PADS are NOT ORIGINAL but with these interchangeable.

CODICE	IMPIANTO	ASSE	SCALA	APPLICAZIONI
<b>R-165</b>	AKEBONO	ANTERIORE	1:1	DAIHATSU TOYOTA
CODICE COMPONENTI	N°	L(mm)	SERIE	
*	*	*	2 PEZZI TIPO A	
*	*	*	2 PEZZI TIPO B	
*	*	*		
CODICE ACCESSORI	N°	L(mm)	NOTE	
*	*	*		
*	*	*		
*	*	*		
*	*	*		



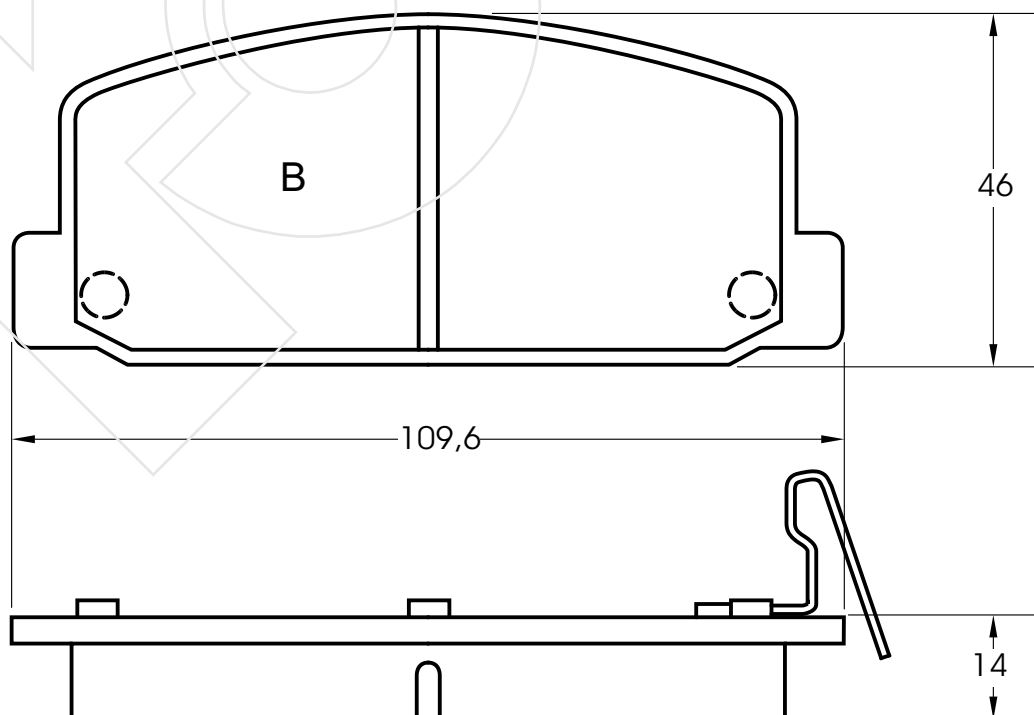
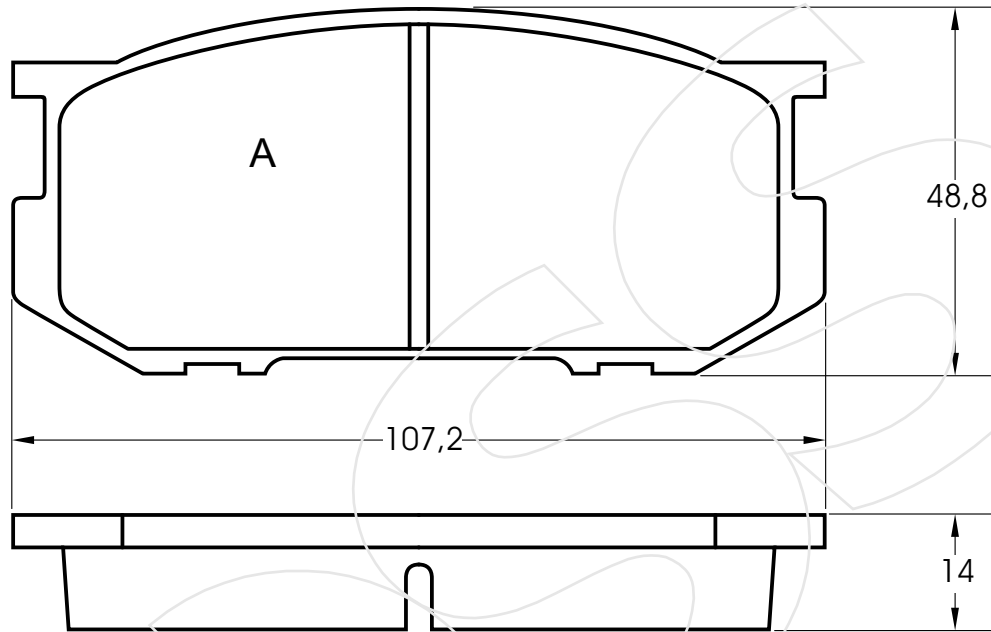
Reference in this Catalogue to other manufactures and to part numbers and other descriptions are for identification purposes only, because the above DISC BRAKE PADS are NOT ORIGINAL but with these interchangeable.

CODICE	IMPIANTO		ASSE	SCALA	APPLICAZIONI
<b>R-166</b>	ATE		ANTERIORE	1:1	VOLKSWAGEN
CODICE COMPONENTI	N°	L(mm)	SERIE		
*	*	*	2 PEZZI TIPO A		
*	*	*	2 PEZZI TIPO B		
*	*	*			
CODICE ACCESSORI	N°	L(mm)	NOTE		
*	*	*			
*	*	*			
*	*	*			
*	*	*			



Reference in this Catalogue to other manufactures and to part numbers and other descriptions are for identification purposes only, because the above DISC BRAKE PADS are NOT ORIGINAL but with these interchangeable.

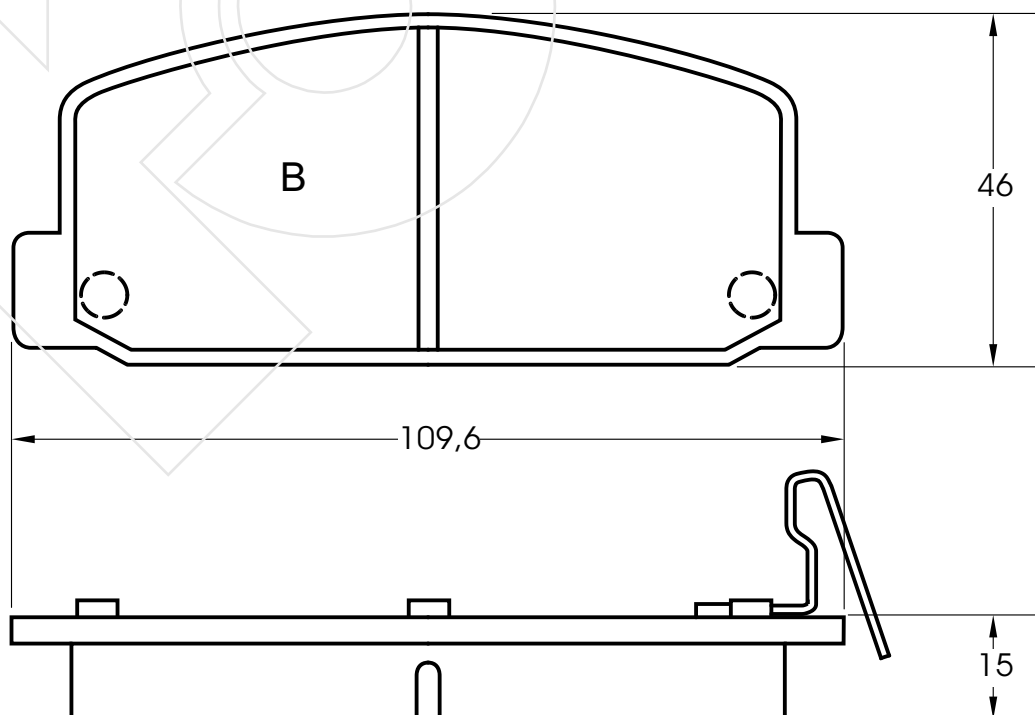
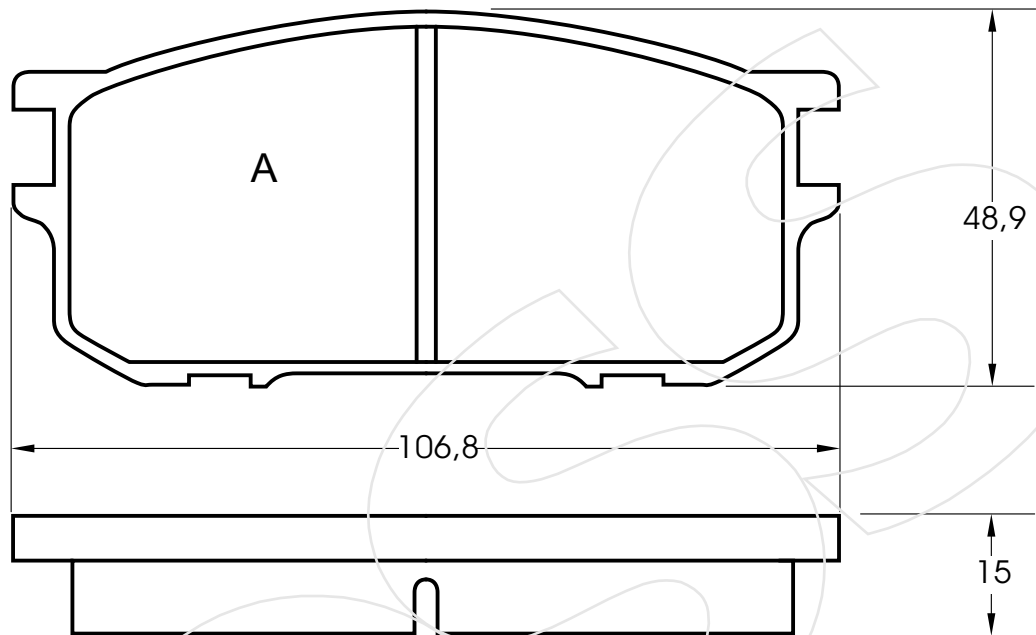
CODICE	IMPIANTO	ASSE	SCALA	APPLICAZIONI
<b>R-167-1</b>	AKEBONO	ANTERIORE	1:1	SUBARU
CODICE COMPONENTI	N°	L(mm)	SERIE	
*	*	*	2 PEZZI TIPO A	
M0012	2	*	2 PEZZI TIPO B	
*	*	*		
CODICE ACCESSORI	N°	L(mm)	NOTE	
*	*	*		
*	*	*		
*	*	*		
*	*	*		



Reference in this Catalogue to other manufactures and to part numbers and other descriptions are for identification purposes only, because the above DISC BRAKE PADS are NOT ORIGINAL but with these interchangeable.

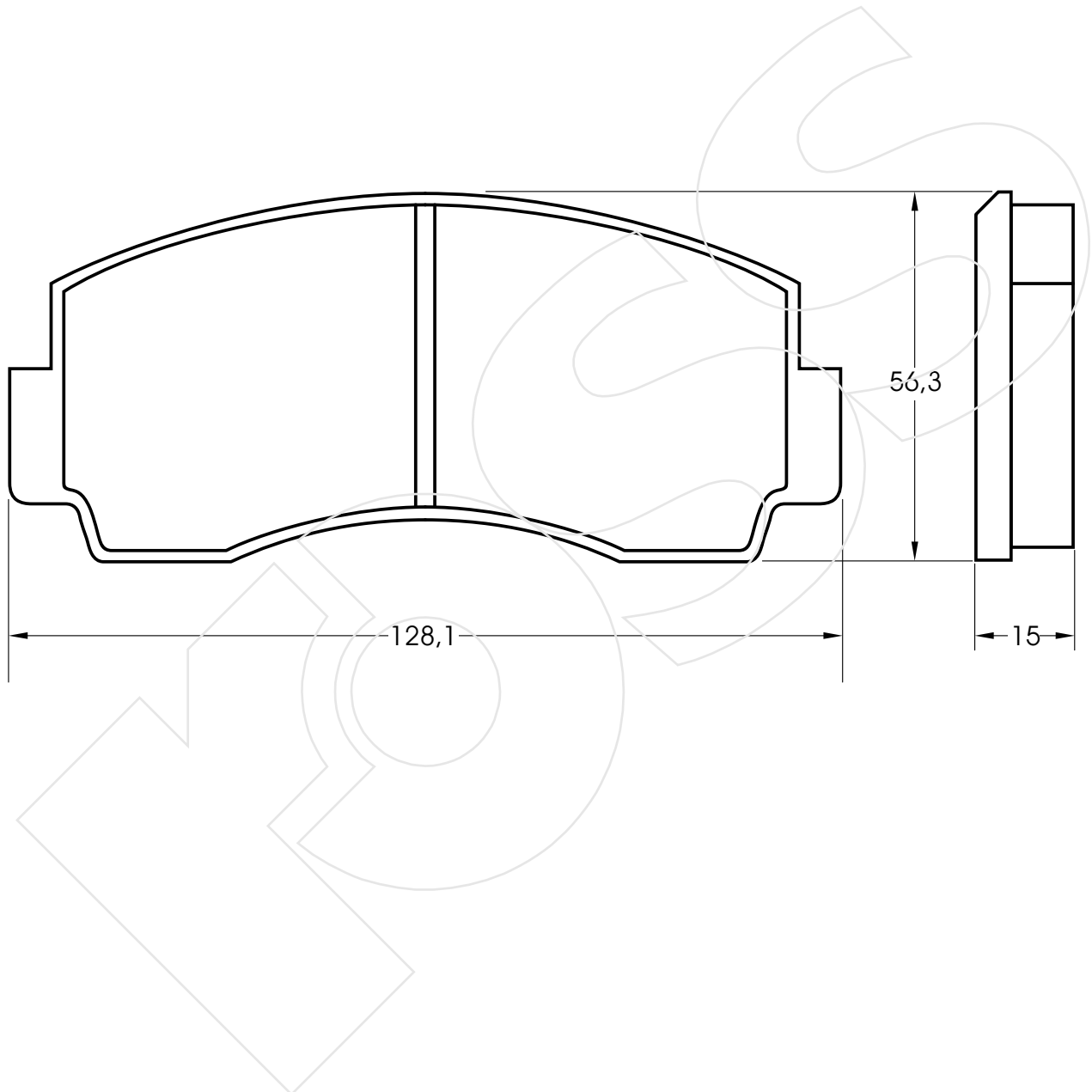


CODICE	IMPIANTO	ASSE	SCALA	APPLICAZIONI
<b>R-167</b>	AKEBONO	ANTERIORE	1:1	SUBARU
CODICE COMPONENTI	N°	L(mm)	SERIE	
*	*	*	2 PEZZI TIPO A	
M0012	2	*	2 PEZZI TIPO B	
*	*	*		
CODICE ACCESSORI	N°	L(mm)	NOTE	
*	*	*		
*	*	*		
*	*	*		
*	*	*		



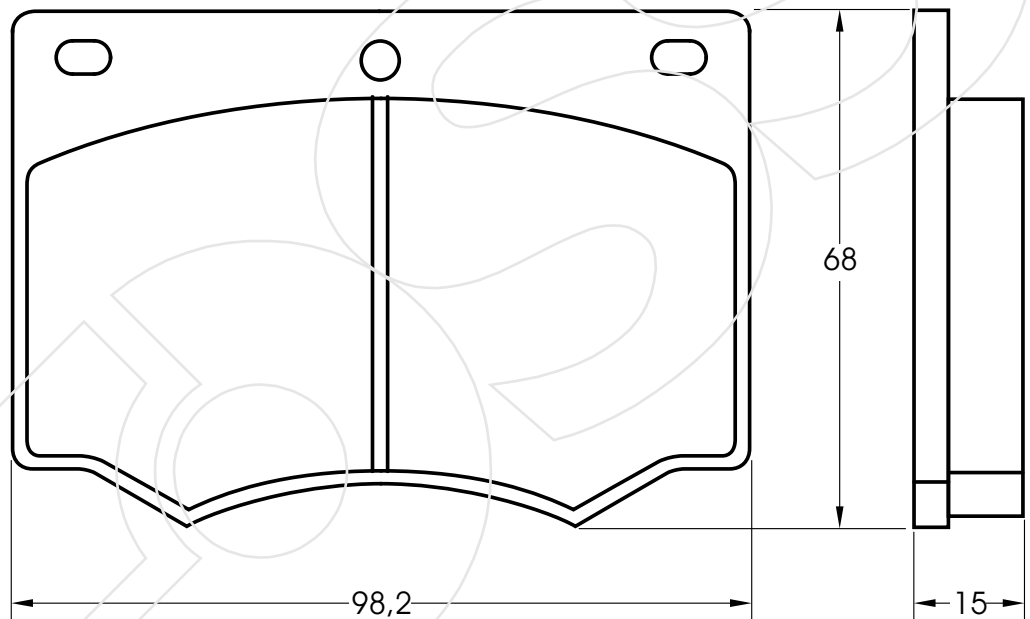
Reference in this Catalogue to other manufactures and to part numbers and other descriptions are for identification purposes only, because the above DISC BRAKE PADS are NOT ORIGINAL but with these interchangeable.

CODICE	IMPIANTO		ASSE	SCALA	APPLICAZIONI
<b>R-168</b>	SUMITOMO		ANTERIORE	1:1	MITSUBISHI TOYOTA
CODICE COMPONENTI	N°	L(mm)	SERIE		
*	*	*	4 PEZZI		
*	*	*			
*	*	*			
*	*	*			
CODICE ACCESSORI	N°	L(mm)	NOTE		
*	*	*			
*	*	*			
*	*	*			



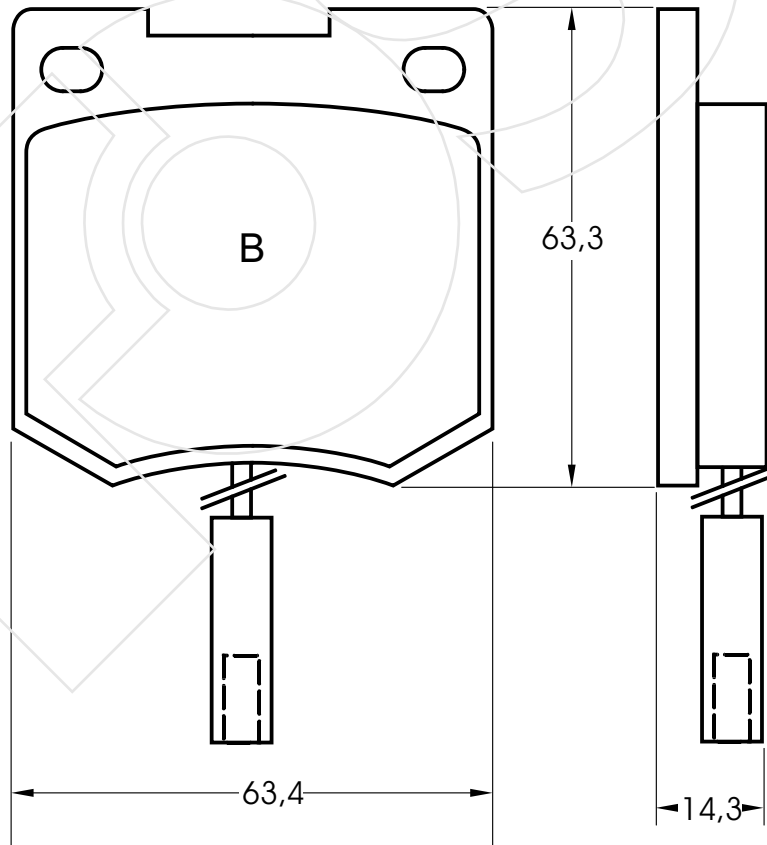
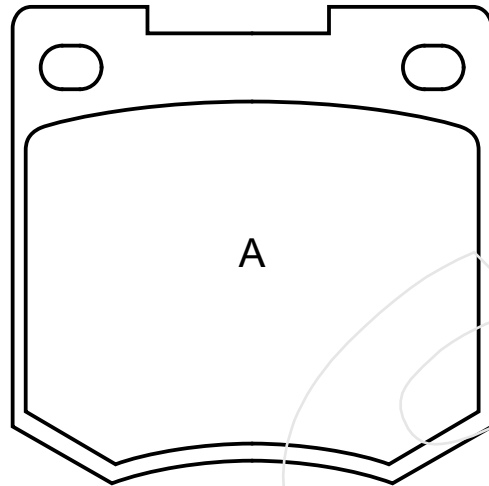
Reference in this Catalogue to other manufactures and to part numbers and other descriptions are for identification purposes only, because the above DISC BRAKE PADS are NOT ORIGINAL but with these interchangeable.

CODICE	IMPIANTO	ASSE	SCALA	APPLICAZIONI
<b>R-169</b>	GIRLING	ANTERIORE	1:1	FORD
CODICE COMPONENTI	N°	L(mm)	SERIE	
*	*	*	4 PEZZI	
*	*	*		
*	*	*		
*	*	*		
CODICE ACCESSORI	N°	L(mm)	NOTE	
*	*	*		
*	*	*		
*	*	*		
*	*	*		



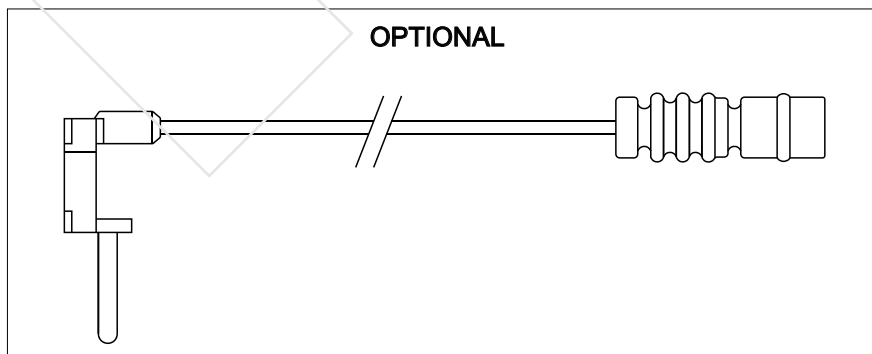
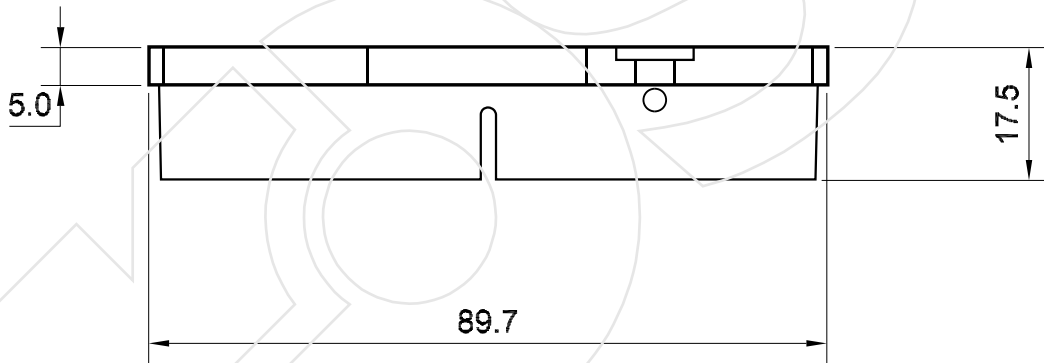
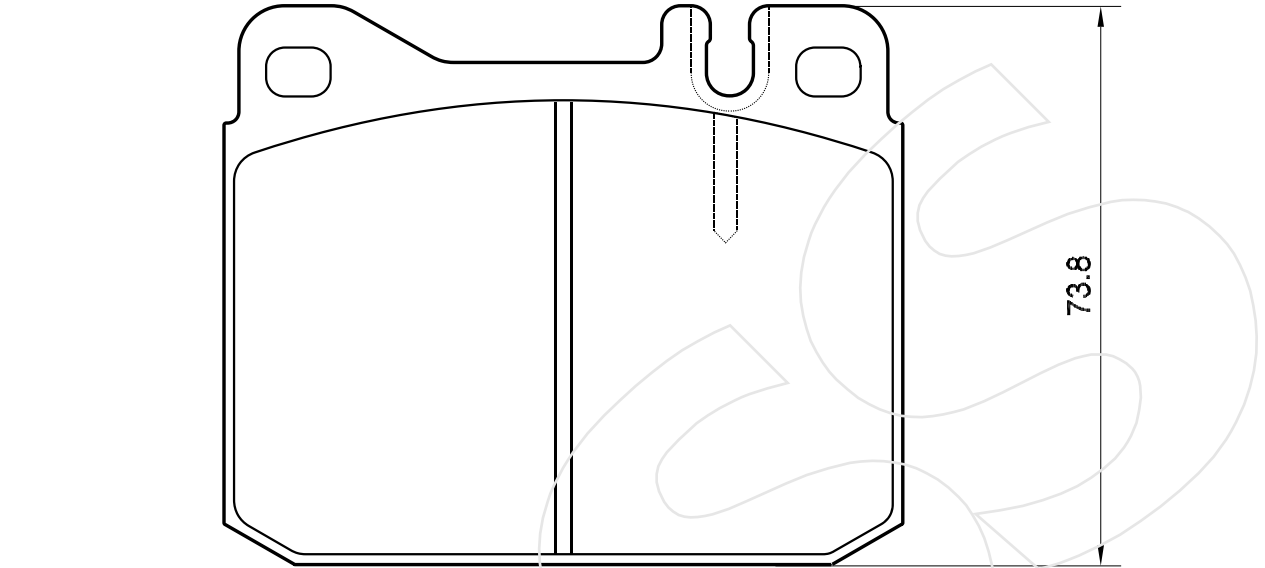
Reference in this Catalogue to other manufactures and to part numbers and other descriptions are for identification purposes only, because the above DISC BRAKE PADS are NOT ORIGINAL but with these interchangeable.

CODICE	IMPIANTO	ASSE	SCALA	APPLICAZIONI
<b>R-171</b>	GIRLING	ANTERIORE	1:1	TALBOT
CODICE COMPONENTI	N°	L(mm)	SERIE	
*	*	*	2 PEZZI TIPO A	
F3012	2	175	2 PEZZI TIPO B	
*	*	*		
CODICE ACCESSORI	N°	L(mm)	NOTE	
*	*	*		
*	*	*		
*	*	*		
*	*	*		



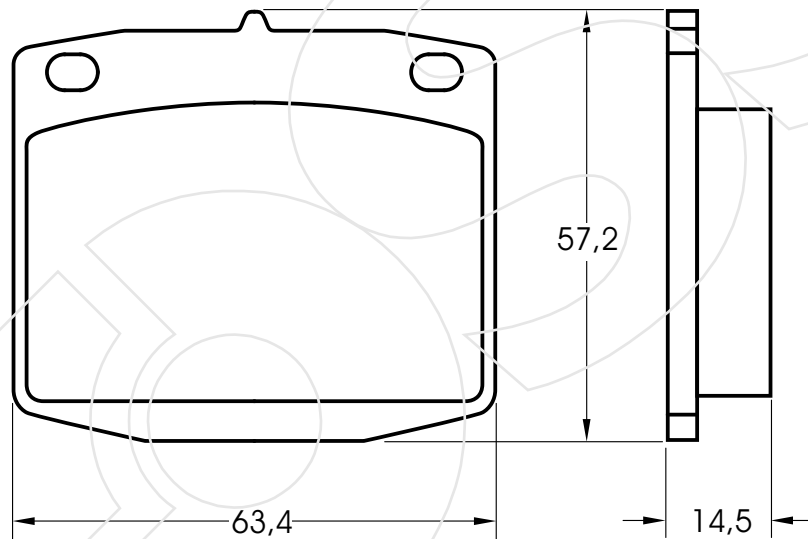
Reference in this Catalogue to other manufactures and to part numbers and other descriptions are for identification purposes only, because the above DISC BRAKE PADS are NOT ORIGINAL but with these interchangeable.

CODICE	IMPIANTO		ASSE	SCALA	APPLICAZIONI
<b>R-172</b>	ATE		ANTERIORE	100%	MERCEDES VOLKSWAGEN
CODICE COMPONENTI	N°	L(mm)	SERIE		
*	*	*	4 PEZZI		
*	*	*	*		
*	*	*	*		
*	*	*	*		
OPTIONAL	N°	L(mm)	NOTE		
F3082	2	130	*		
*	*	*	*		
*	*	*	*		
*	*	*	*		



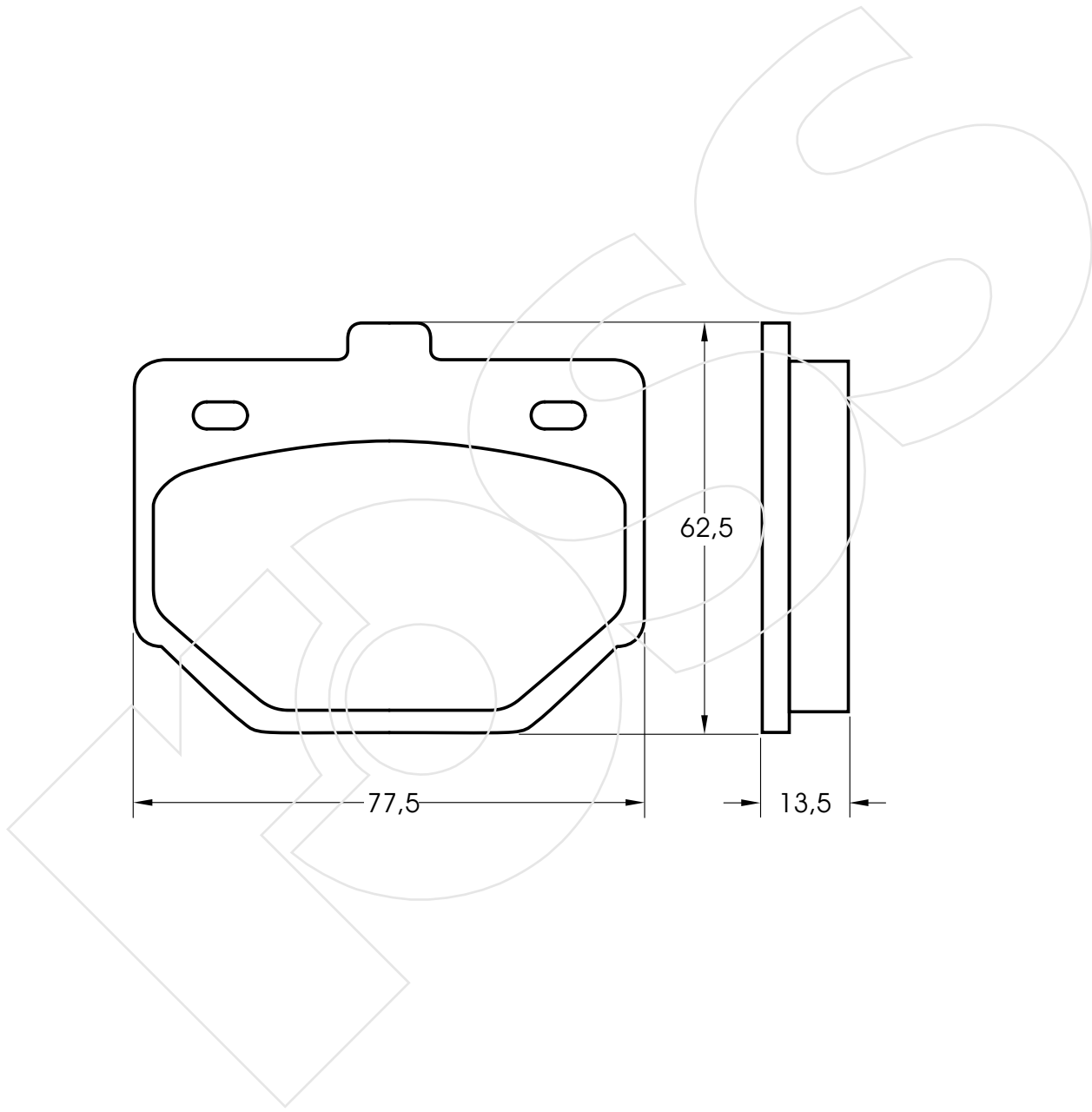
Reference in this Catalogue to other manufactures and to part numbers and other descriptions are for identification purposes only, because the above DISC BRAKE PADS are NOT ORIGINAL but with these interchangeable.

CODICE	IMPIANTO	ASSE	SCALA	APPLICAZIONI
<b>R-173</b>	SUMITOMO	ANTERIORE	1:1	NISSAN-DATSUN
CODICE COMPONENTI	N°	L(mm)	SERIE	
*	*	*	4 PEZZI	
*	*	*		
*	*	*		
*	*	*		
CODICE ACCESSORI	N°	L(mm)	NOTE	
*	*	*		
*	*	*		
*	*	*		
*	*	*		



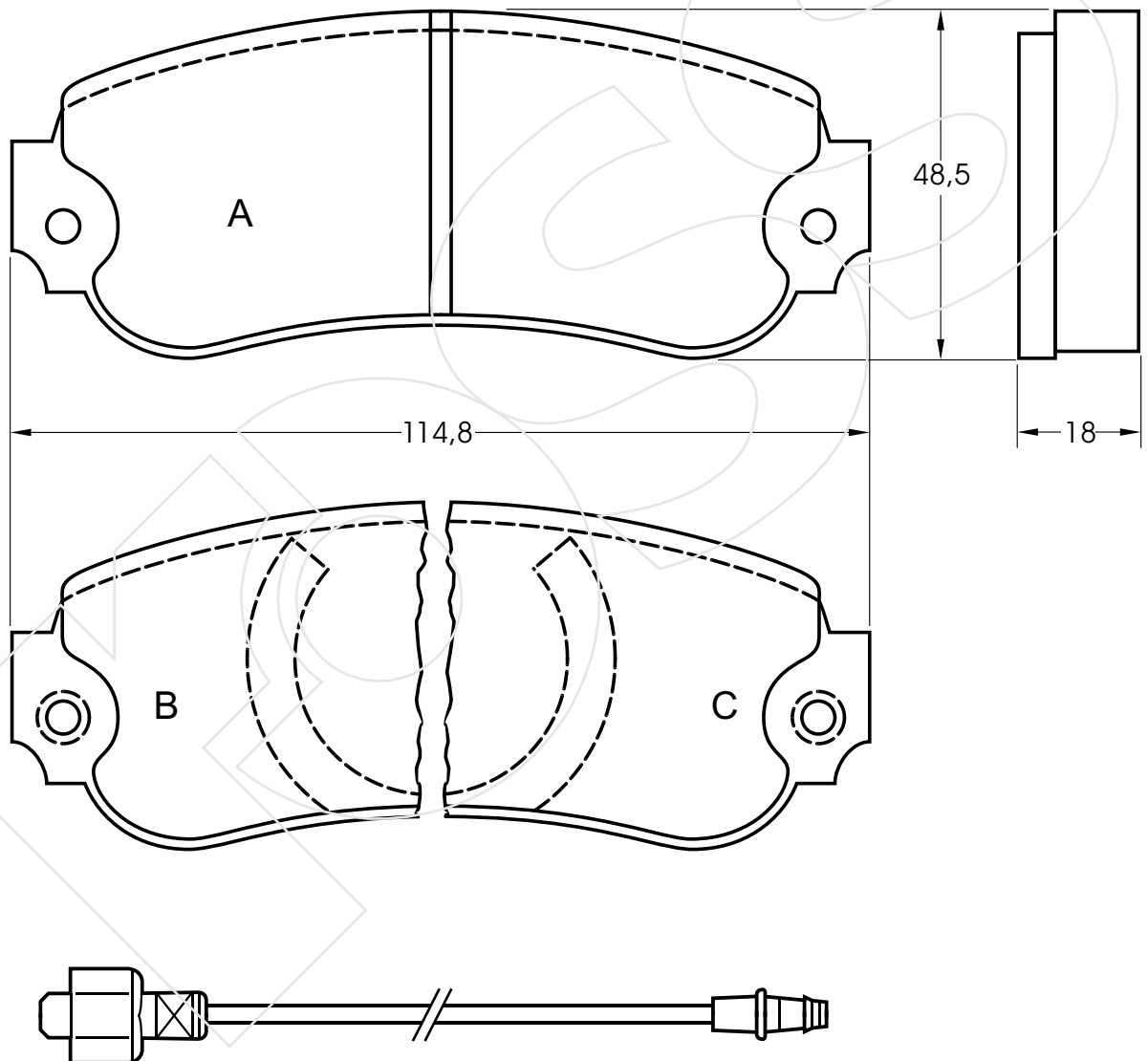
Reference in this Catalogue to other manufactures and to part numbers and other descriptions are for identification purposes only, because the above DISC BRAKE PADS are NOT ORIGINAL but with these interchangeable.

CODICE	IMPIANTO		ASSE	SCALA	APPLICAZIONI
<b>R-174</b>	SUMITOMO		ANTERIORE	1:1	DAIHATSU SUZUKI TOYOTA
CODICE COMPONENTI	N°	L(mm)	SERIE		
*	*	*	4 PEZZI		
*	*	*			
*	*	*			
*	*	*			
CODICE ACCESSORI	N°	L(mm)	NOTE		
*	*	*			
*	*	*			
*	*	*			



Reference in this Catalogue to other manufactures and to part numbers and other descriptions are for identification purposes only, because the above DISC BRAKE PADS are NOT ORIGINAL but with these interchangeable.

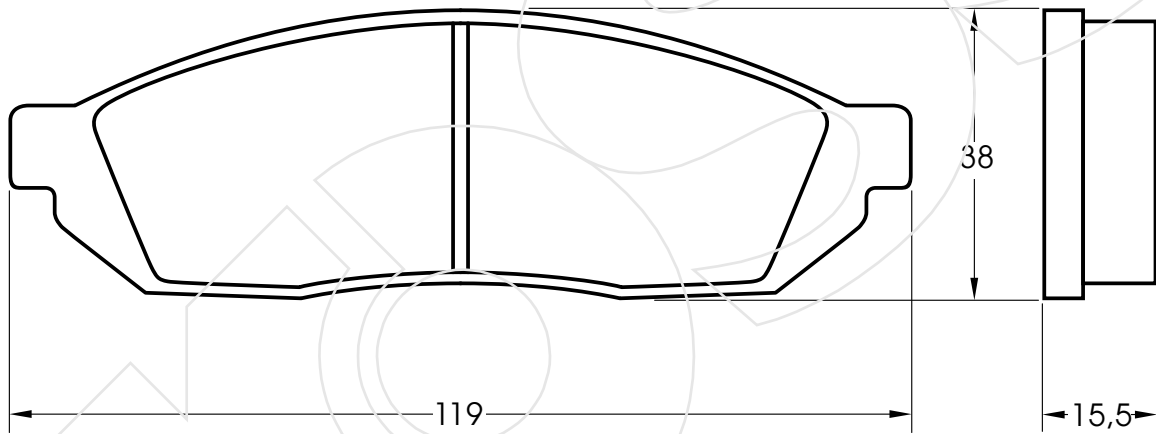
CODICE	IMPIANTO	ASSE	SCALA	APPLICAZIONI
<b>R-175</b>	BENDIX	ANTERIORE	1:1	TALBOT
CODICE COMPONENTI	N°	L(mm)	SERIE	
*	*	*	2 PEZZI TIPO A	
*	*	*	1 PEZZO TIPO B	
F3050	2	160	1 PEZZO TIPO C	
CODICE ACCESSORI	N°	L(mm)	NOTE	
*	*	*	*	
*	*	*	*	
*	*	*	*	
*	*	*	*	



Reference in this Catalogue to other manufactures and to part numbers and other descriptions are for identification purposes only, because the above DISC BRAKE PADS are NOT ORIGINAL but with these interchangeable.

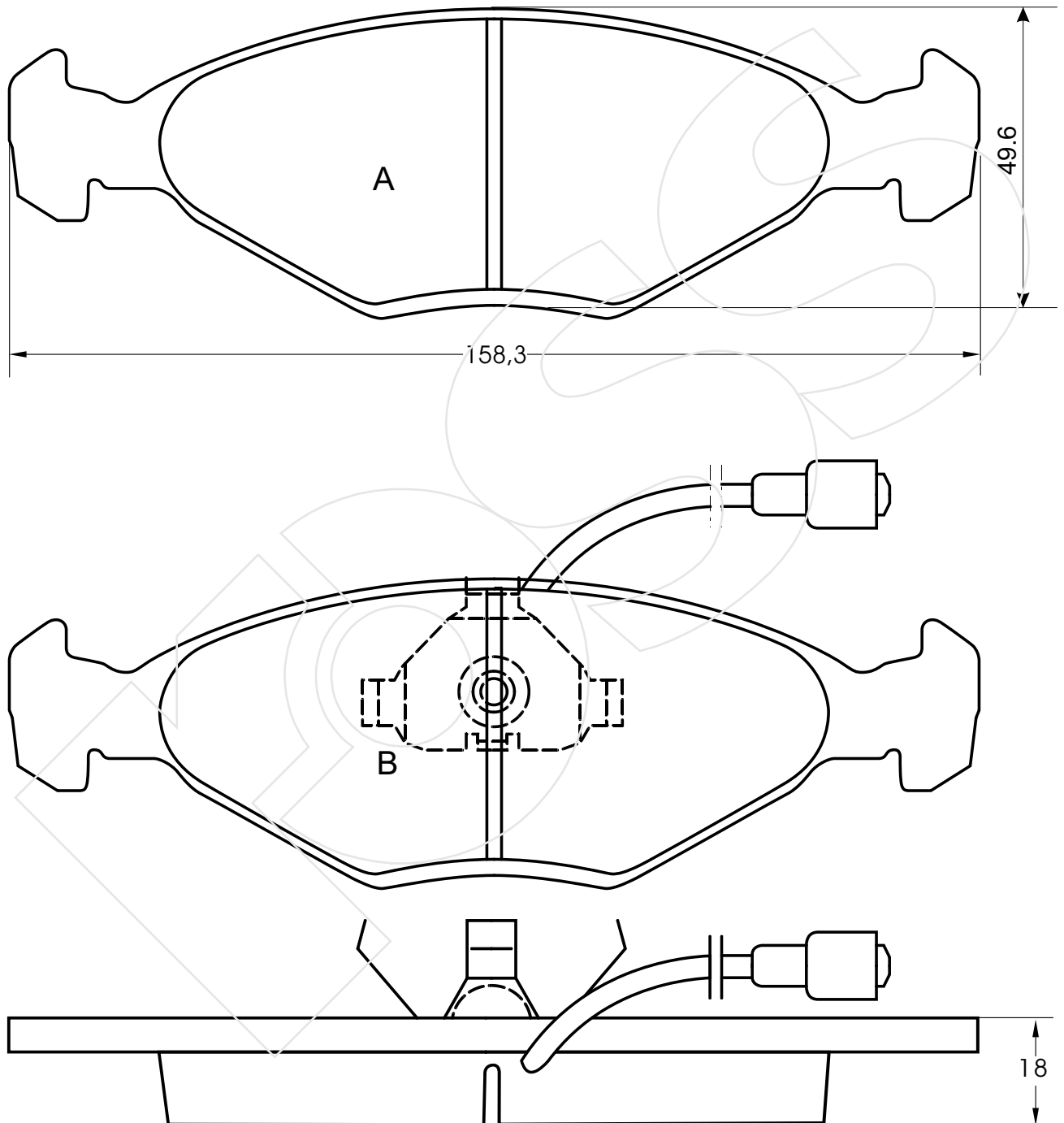


CODICE	IMPIANTO	ASSE	SCALA	APPLICAZIONI
<b>R-176</b>	SUMITOMO	ANTERIORE	1:1	HONDA SUZUKI VAUXHALL
CODICE COMPONENTI	N°	L(mm)	SERIE	
*	*	*	4 PEZZI	
*	*	*		
*	*	*		
*	*	*		
CODICE ACCESSORI	N°	L(mm)	NOTE	
*	*	*		
*	*	*		
*	*	*		
*	*	*		



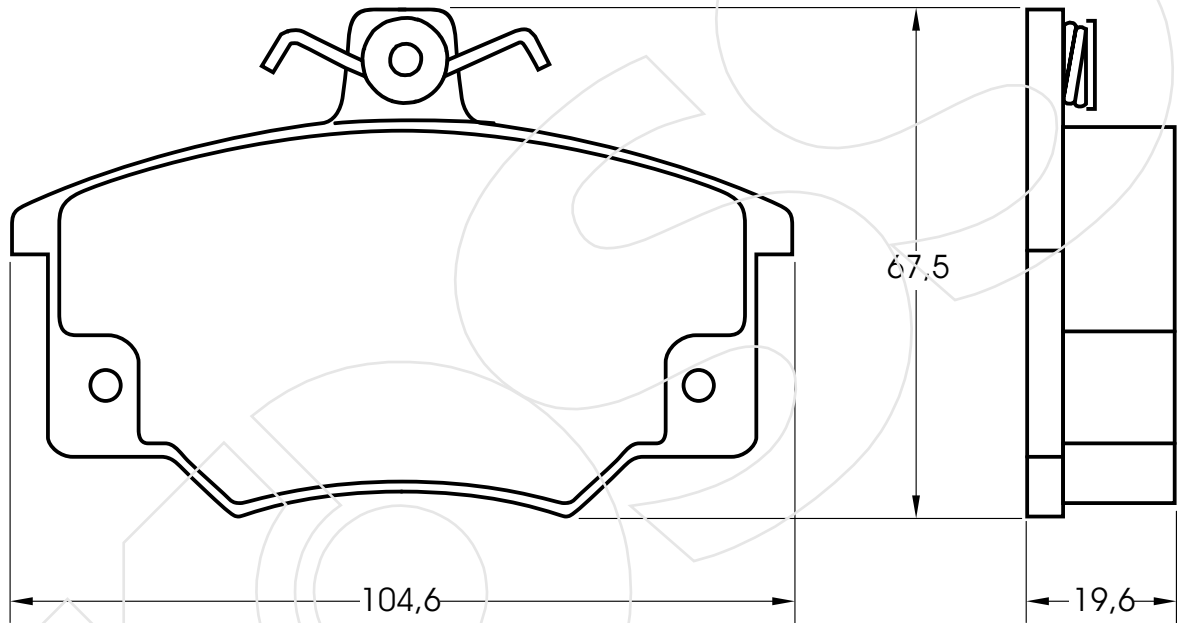
Reference in this Catalogue to other manufactures and to part numbers and other descriptions are for identification purposes only, because the above DISC BRAKE PADS are NOT ORIGINAL but with these interchangeable.

CODICE	IMPIANTO		ASSE	SCALA	APPLICAZIONI
<b>R-177</b>	ATE		ANTERIORE	1:1	TALBOT
CODICE COMPONENTI	N°	L(mm)	SERIE		
*	*	*	2 PEZZI TIPO A		
M0011+P1002+F3014	2+2+2	230	2 PEZZI TIPO B		
*	*	*			
CODICE ACCESSORI	N°	L(mm)	NOTE		
*	*	*	*		
*	*	*	*		
*	*	*	*		
*	*	*	*		



Reference in this Catalogue to other manufactures and to part numbers and other descriptions are for identification purposes only, because the above DISC BRAKE PADS are NOT ORIGINAL but with these interchangeable.

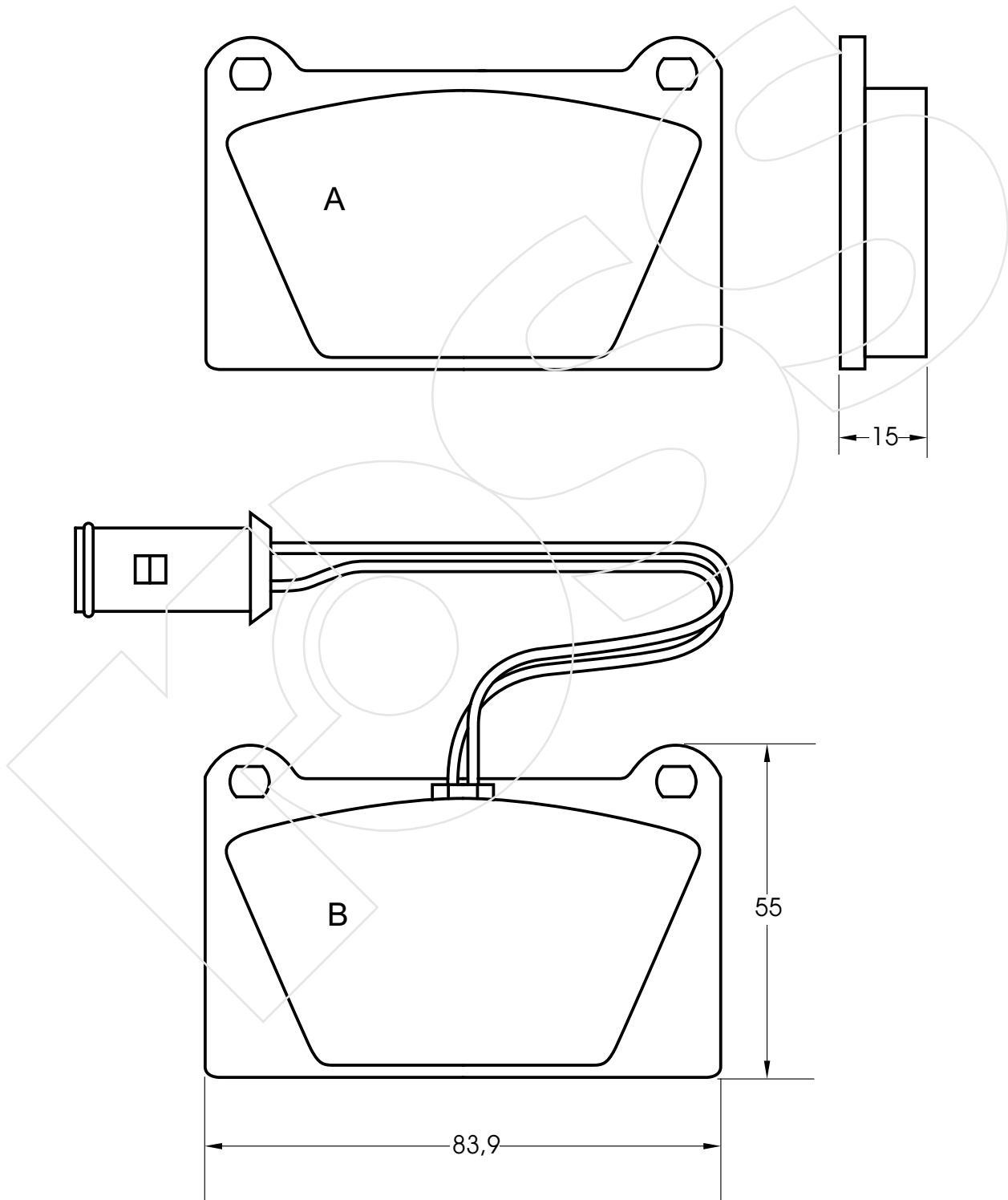
CODICE	IMPIANTO		ASSE	SCALA	APPLICAZIONI
<b>R-178</b>	GIRLING		ANTERIORE	1:1	FIAT
CODICE COMPONENTI	N°	L(mm)	SERIE		
M0077+P1011	4+4	*	4 PEZZI		
F3000	2	*			
*	*	*			
*	*	*			
CODICE ACCESSORI	N°	L(mm)	NOTE		
*	*				
*	*				
*	*				
*	*				



F3000

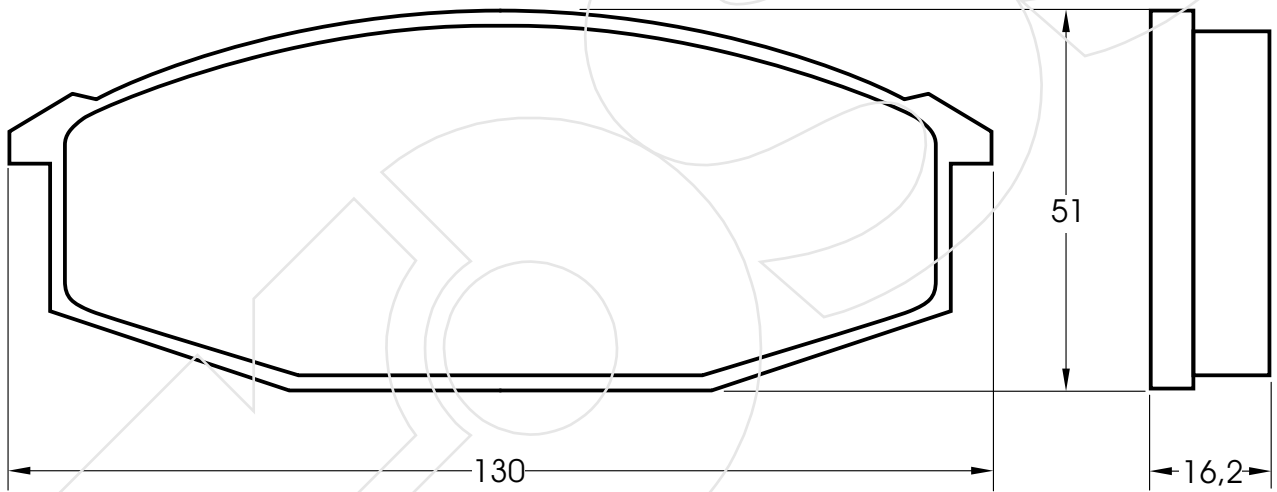
Reference in this Catalogue to other manufactures and to part numbers and other descriptions are for identification purposes only, because the above DISC BRAKE PADS are NOT ORIGINAL but with these interchangeable.

CODICE	IMPIANTO	ASSE	SCALA	APPLICAZIONI
<b>R-179</b>	GIRLING	ANTERIORE	1:1	ROVER
CODICE COMPONENTI	N°	L(mm)	SERIE	
*	*	*	2 PEZZI TIPO A	
F3022	2	160	2 PEZZI TIPO B	
*	*			
CODICE ACCESSORI	N°	L(mm)	NOTE	
*	*		*	
*	*		*	
*	*		*	
*	*		*	



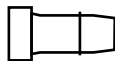
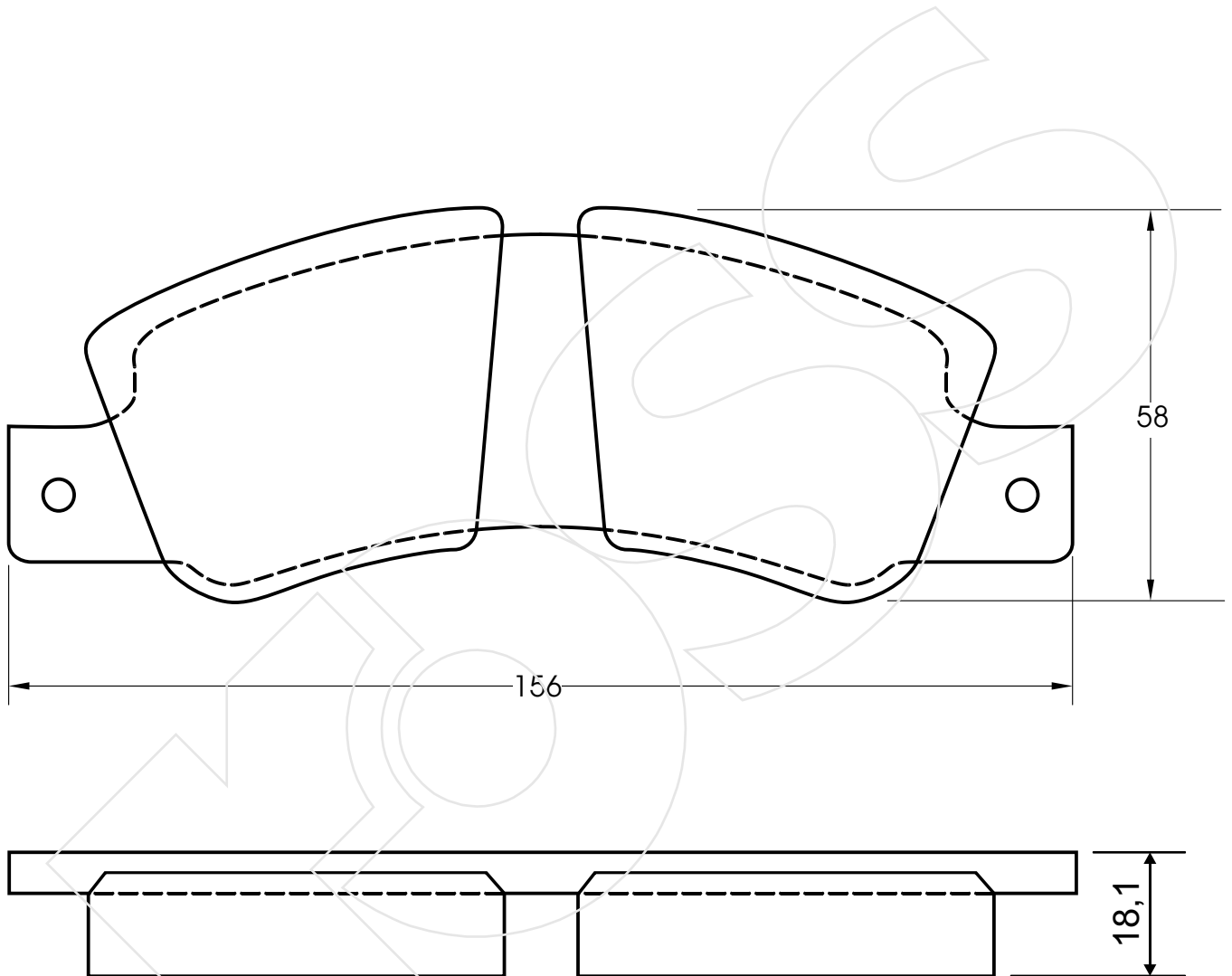
Reference in this Catalogue to other manufactures and to part numbers and other descriptions are for identification purposes only, because the above DISC BRAKE PADS are NOT ORIGINAL but with these interchangeable.

CODICE	IMPIANTO		ASSE	SCALA	APPLICAZIONI
<b>R-180</b>	SUMITOMO		ANTERIORE	1:1	NISSAN-DATSUN TOYOTA
CODICE COMPONENTI	N°	L(mm)	SERIE		
*	*	*	4 PEZZI		
*	*	*			
*	*	*			
*	*	*			
CODICE ACCESSORI	N°	L(mm)	NOTE		
*	*	*			
*	*	*			
*	*	*			



Reference in this Catalogue to other manufactures and to part numbers and other descriptions are for identification purposes only, because the above DISC BRAKE PADS are NOT ORIGINAL but with these interchangeable.

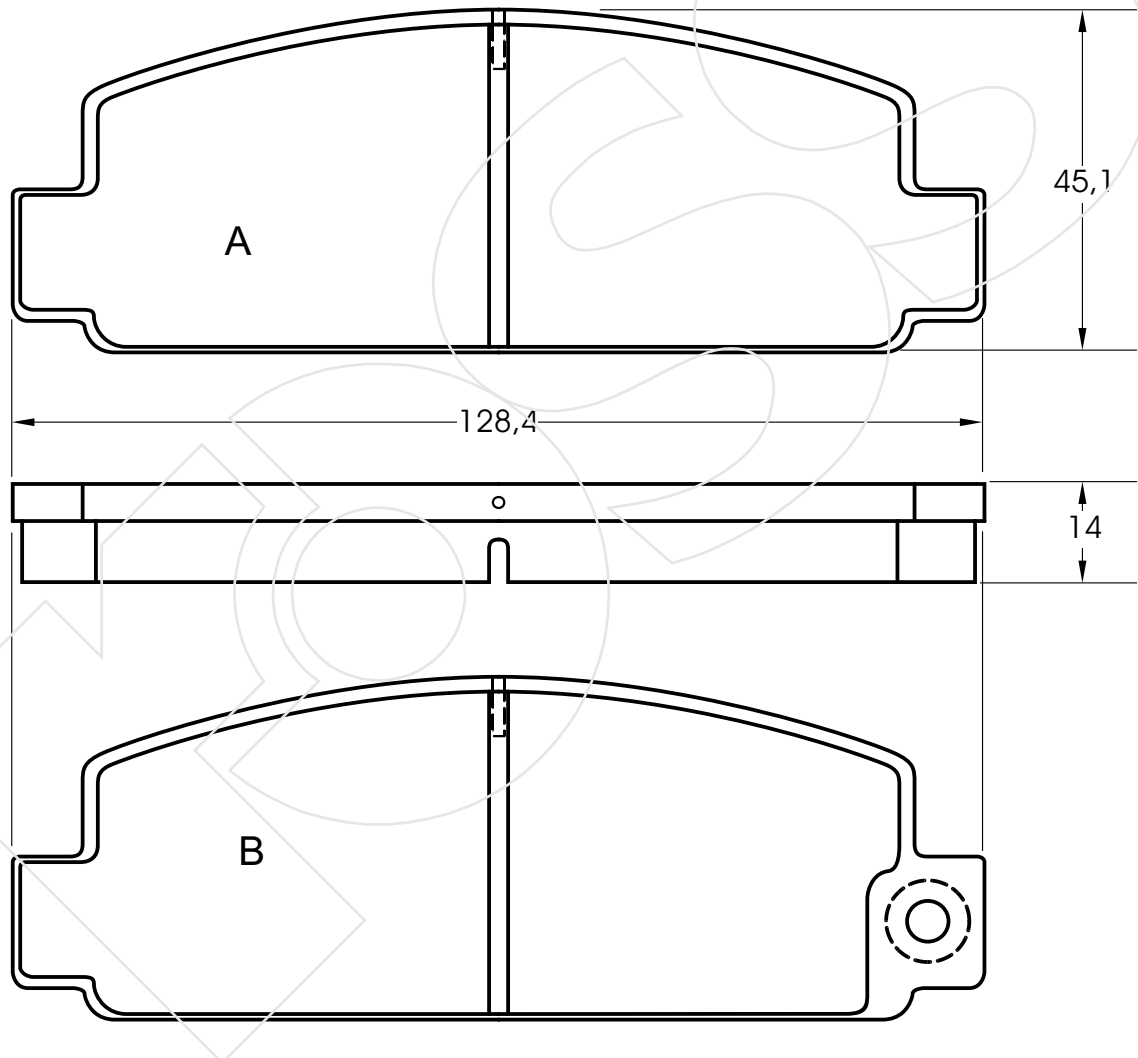
CODICE	IMPIANTO		ASSE	SCALA	APPLICAZIONI
<b>R-181</b>	BENDIX		ANTERIORE	1:1	RENAULT
CODICE COMPONENTI	N°	L(mm)	SERIE		
*	*	*	4 PEZZI		
F3000	2	*			
*	*	*			
*	*	*			
CODICE ACCESSORI	N°	L(mm)	NOTE		
*	*	*			
*	*	*			
*	*	*			
*	*	*			



F3000

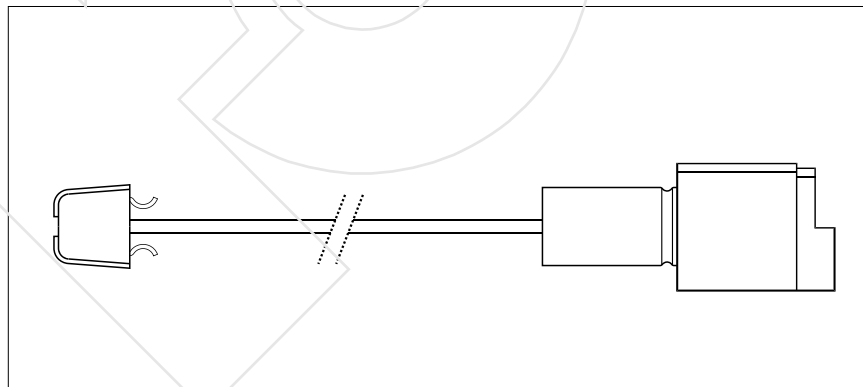
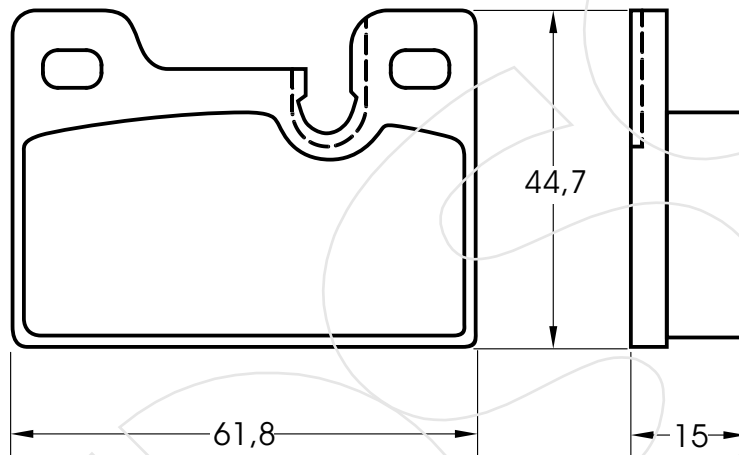
Reference in this Catalogue to other manufactures and to part numbers and other descriptions are for identification purposes only, because the above DISC BRAKE PADS are NOT ORIGINAL but with these interchangeable.

CODICE	IMPIANTO	ASSE	SCALA	APPLICAZIONI
<b>R-183</b>	AKEBONO	ANTERIORE	1:1	MAZDA
CODICE COMPONENTI	N°	L(mm)	SERIE	
*	*	*	3 PEZZI TIPO A	
B2002	1	*	1 PEZZO TIPO B	
*	*			
CODICE ACCESSORI	N°	L(mm)	NOTE	
*	*		*	
*	*		*	
*	*		*	
*	*		*	



Reference in this Catalogue to other manufactures and to part numbers and other descriptions are for identification purposes only, because the above DISC BRAKE PADS are NOT ORIGINAL but with these interchangeable.

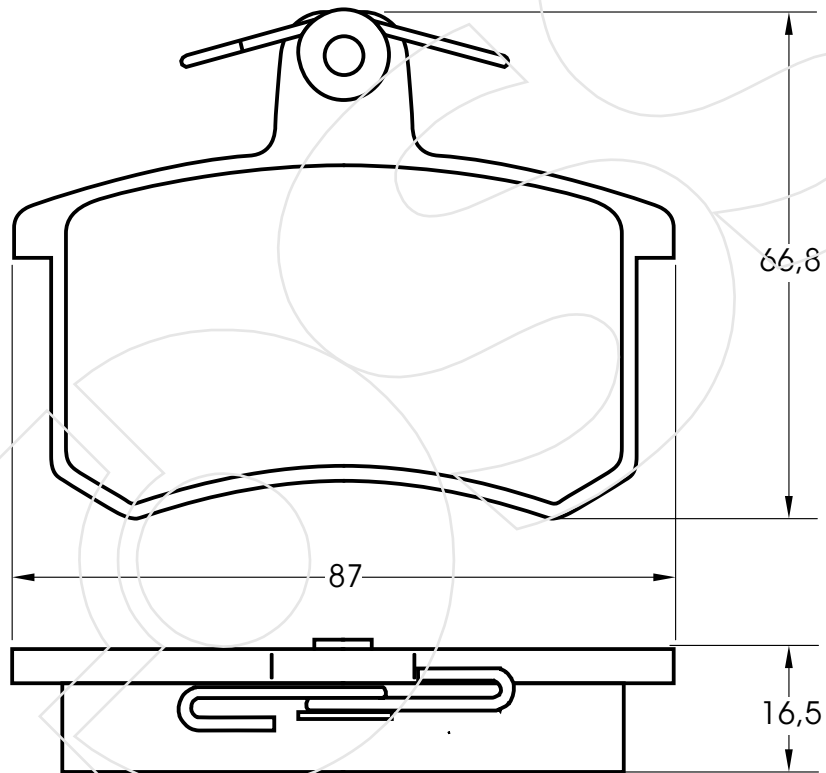
CODICE	IMPIANTO		ASSE	SCALA	APPLICAZIONI
<b>R-185</b>	ATE		POSTERIORE	1:1	BMW
CODICE COMPONENTI	N°	L(mm)	SERIE		
*	*	*	4 PEZZI		
*	*	*			
*	*	*			
*	*	*			
OPTIONAL	N°	L(mm)	NOTE		
F3080	2	130	*		
*	*	*	*		
*	*	*	*		
*	*	*	*		



Reference in this Catalogue to other manufactures and to part numbers and other descriptions are for identification purposes only, because the above DISC BRAKE PADS are NOT ORIGINAL but with these interchangeable.

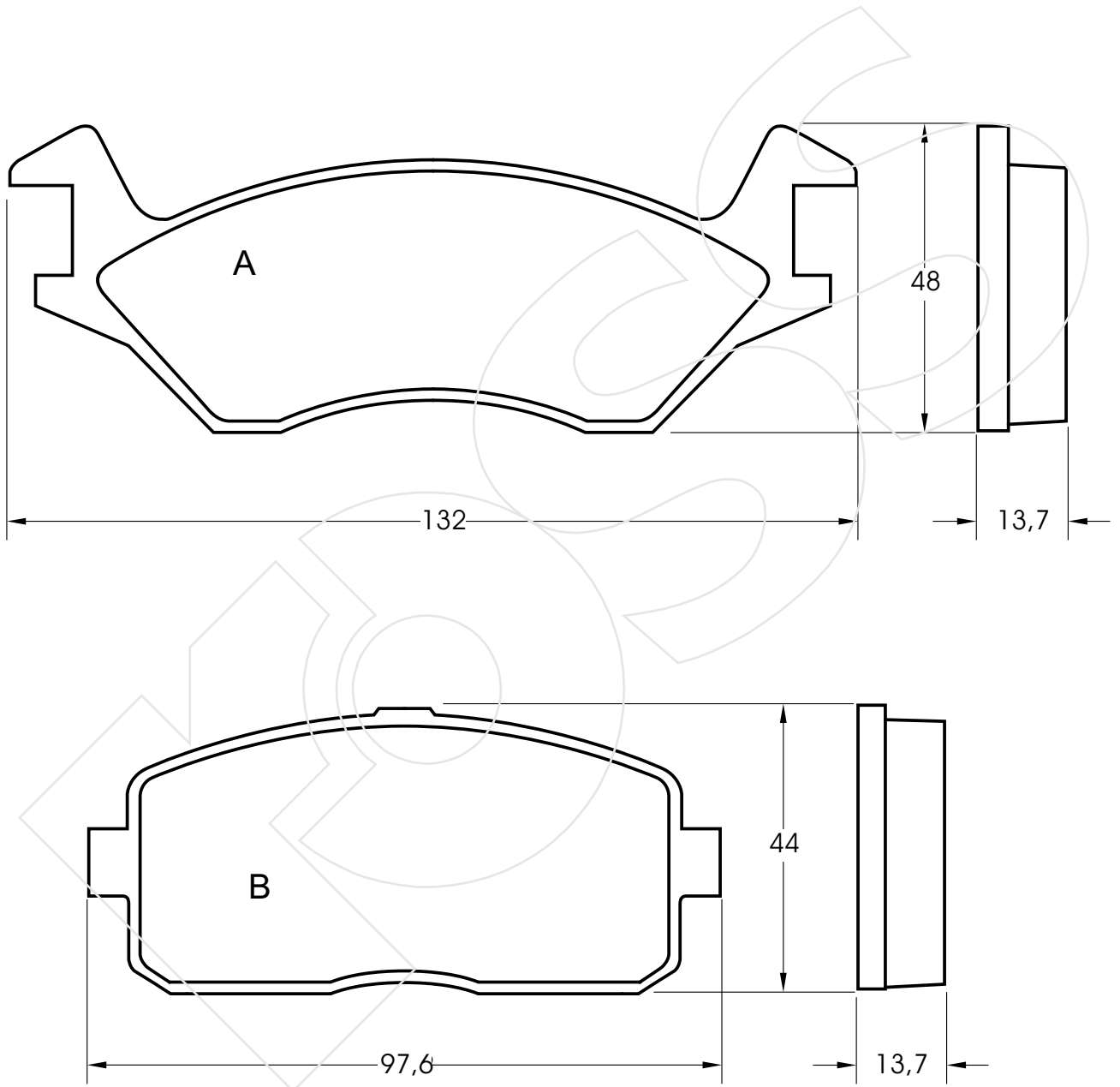


CODICE	IMPIANTO	ASSE	SCALA	APPLICAZIONI
<b>R-187</b>	GIRLING	POSTERIORE	1:1	ALFAROMEO AUDI FIAT LANCIA VOLKSWAGEN
CODICE COMPONENTI	N°	L(mm)	SERIE	
M0013+P1011	4+4	*	4 PEZZI	
*	*	*		
*	*	*		
*	*	*		
*	*	*		
CODICE ACCESSORI	N°	L(mm)	NOTE	
*	*		*	
*	*		*	
*	*		*	
*	*		*	



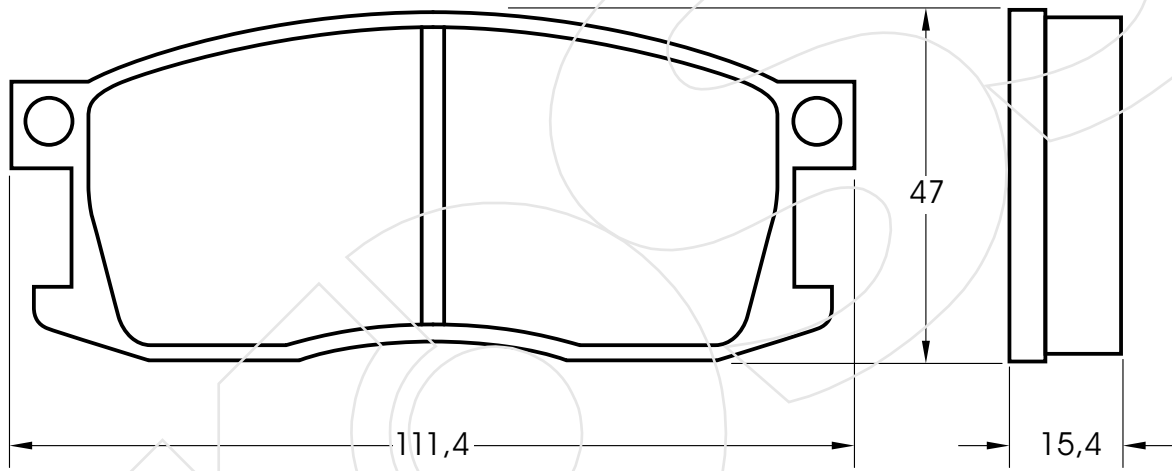
Reference in this Catalogue to other manufactures and to part numbers and other descriptions are for identification purposes only, because the above DISC BRAKE PADS are NOT ORIGINAL but with these interchangeable.

CODICE	IMPIANTO		ASSE	SCALA	APPLICAZIONI
<b>R-189</b>	AKEBONO		ANTERIORE	1:1	TOYOTA
CODICE COMPONENTI	N°	L(mm)	SERIE		
*	*	*	2 PEZZI TIPO A		
*	*	*	2 PEZZI TIPO B		
*	*	*			
CODICE ACCESSORI	N°	L(mm)	NOTE		
*	*	*			
*	*	*			
*	*	*			
*	*	*			



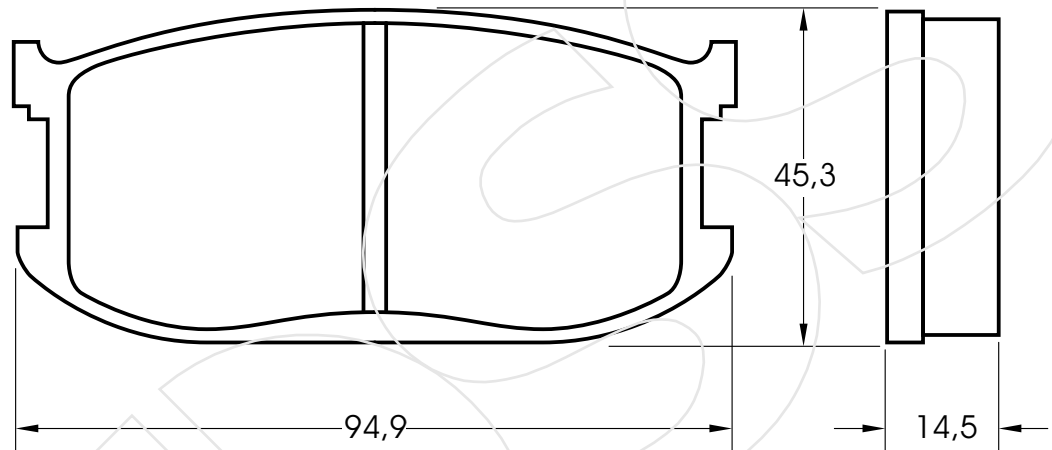
Reference in this Catalogue to other manufactures and to part numbers and other descriptions are for identification purposes only, because the above DISC BRAKE PADS are NOT ORIGINAL but with these interchangeable.

CODICE	IMPIANTO		ASSE	SCALA	APPLICAZIONI
<b>R-190</b>	SUMITOMO		ANTERIORE	1:1	HONDA
CODICE COMPONENTI	N°	L(mm)	SERIE		
*	*	*	4 PEZZI		
*	*	*			
*	*	*			
*	*	*			
CODICE ACCESSORI	N°	L(mm)	NOTE		
*	*	*			
*	*	*			
*	*	*			
*	*	*			



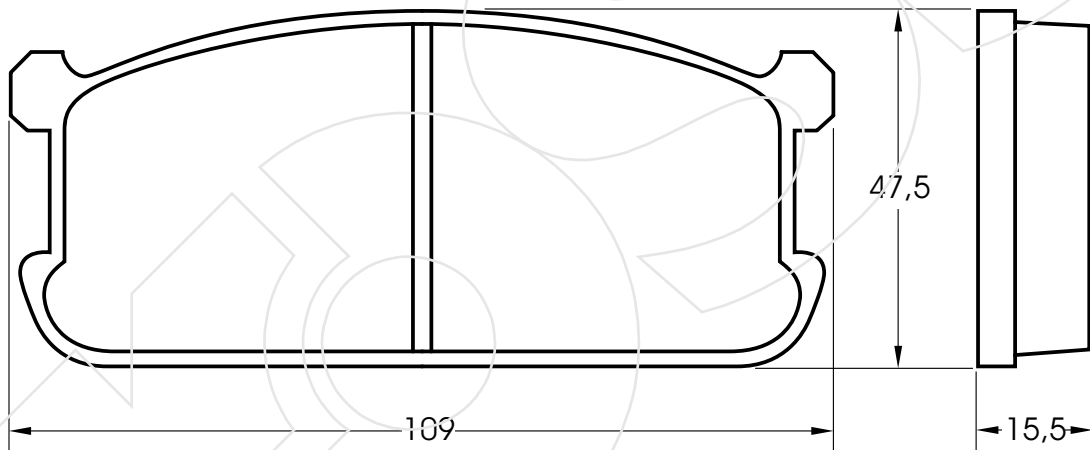
Reference in this Catalogue to other manufactures and to part numbers and other descriptions are for identification purposes only, because the above DISC BRAKE PADS are NOT ORIGINAL but with these interchangeable.

CODICE	IMPIANTO	ASSE	SCALA	APPLICAZIONI
<b>R-191</b>	SUMITOMO	ANTERIORE	1:1	MAZDA
CODICE COMPONENTI	N°	L(mm)	SERIE	
*	*	*	4 PEZZI	
*	*	*		
*	*	*		
*	*	*		
CODICE ACCESSORI	N°	L(mm)	NOTE	
*	*	*		
*	*	*		
*	*	*		
*	*	*		



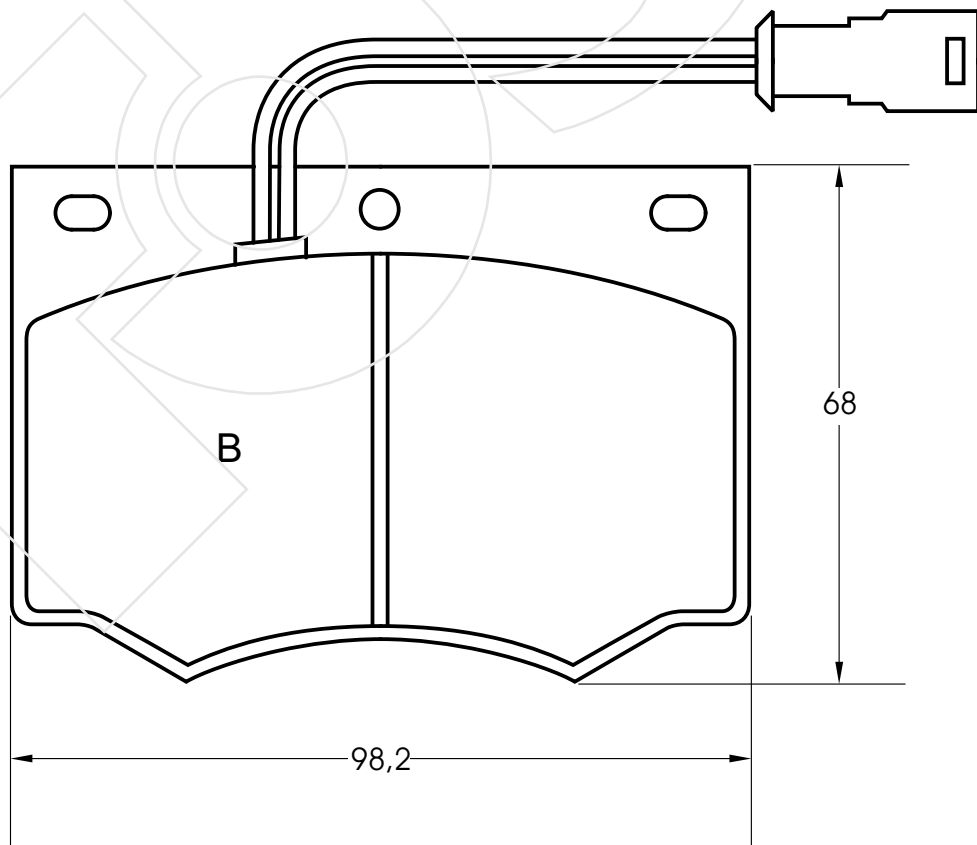
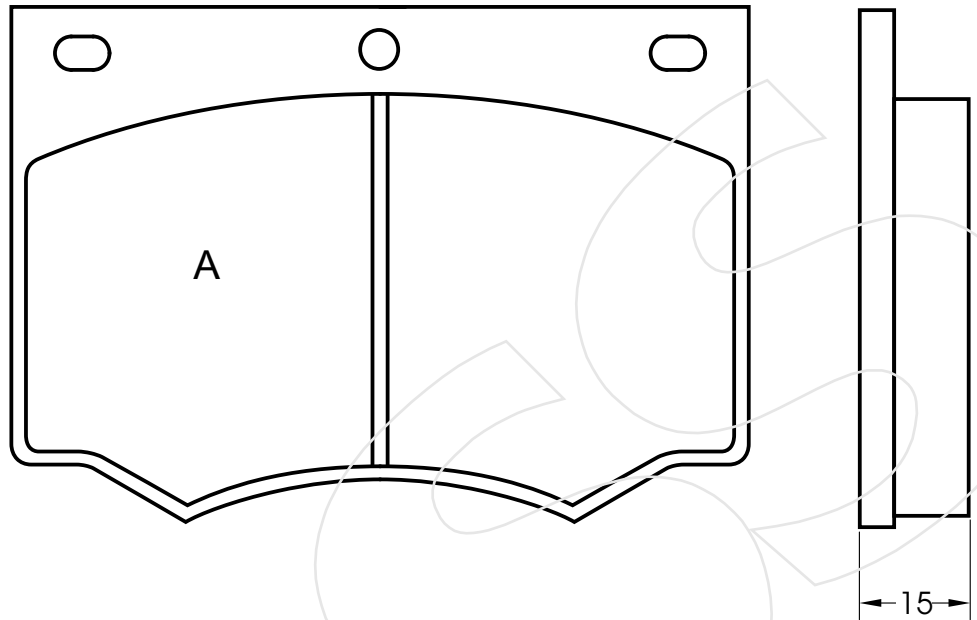
Reference in this Catalogue to other manufactures and to part numbers and other descriptions are for identification purposes only, because the above DISC BRAKE PADS are NOT ORIGINAL but with these interchangeable.

CODICE	IMPIANTO		ASSE	SCALA	APPLICAZIONI
<b>R-192</b>	SUMITOMO		ANTERIORE	1:1	MITSUBISHI
CODICE COMPONENTI	N°	L(mm)	SERIE		
*	*	*	4 PEZZI		
*	*	*			
*	*	*			
*	*	*			
CODICE ACCESSORI	N°	L(mm)	NOTE		
*	*	*			
*	*	*			
*	*	*			
*	*	*			



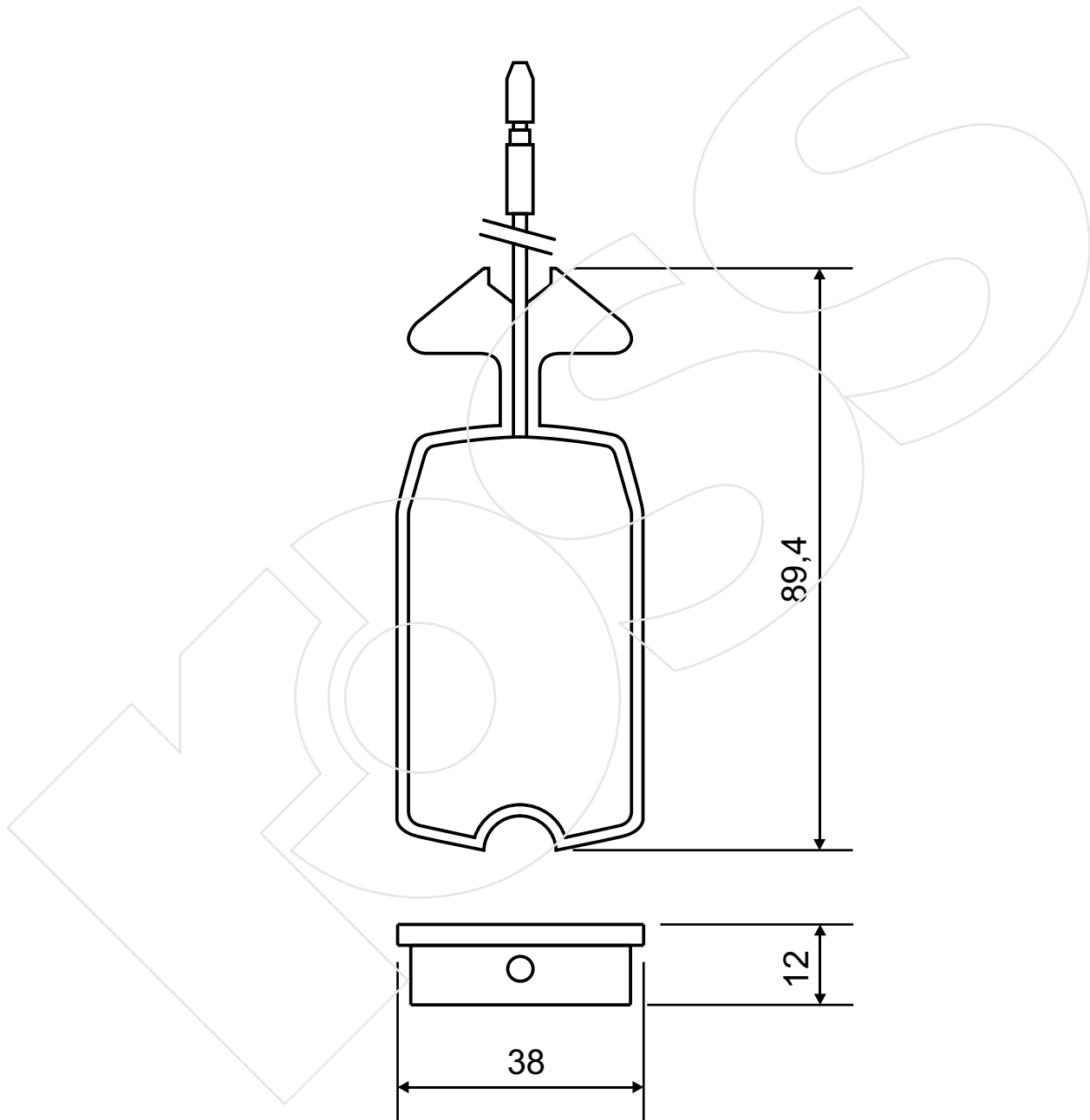
Reference in this Catalogue to other manufactures and to part numbers and other descriptions are for identification purposes only, because the above DISC BRAKE PADS are NOT ORIGINAL but with these interchangeable.

CODICE	IMPIANTO	ASSE	SCALA	APPLICAZIONI
<b>R-193</b>	GIRLING	ANTERIORE	1:1	FORD
CODICE COMPONENTI	N°	L(mm)	SERIE	
*	*	*	2 PEZZI TIPO A	
F3023	2	225	2 PEZZI TIPO B	
*	*			
CODICE ACCESSORI	N°	L(mm)	NOTE	
*	*			
*	*			
*	*			
*	*			



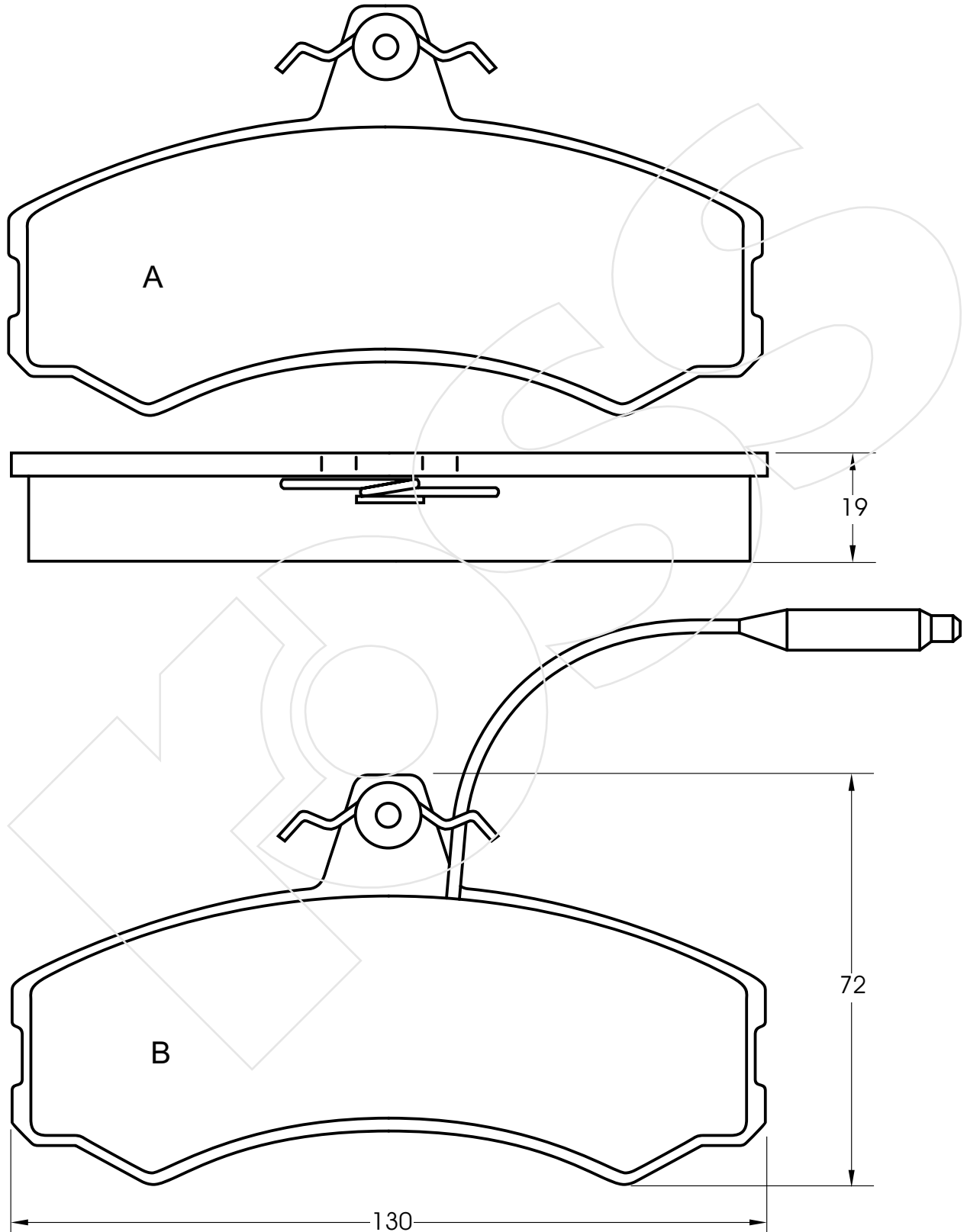
Reference in this Catalogue to other manufactures and to part numbers and other descriptions are for identification purposes only, because the above DISC BRAKE PADS are NOT ORIGINAL but with these interchangeable.

CODICE	IMPIANTO		ASSE	SCALA	APPLICAZIONI
<b>R-195</b>	CITROEN		ANTERIORE	1:1	CITROEN
CODICE COMPONENTI	N°	L(mm)	SERIE		
F3001	4	110	4 PEZZI		
*	*	*			
*	*	*			
*	*	*			
CODICE ACCESSORI	N°	L(mm)	NOTE		
*	*	*			
*	*	*			
*	*	*			
*	*	*			



Reference in this Catalogue to other manufactures and to part numbers and other descriptions are for identification purposes only, because the above DISC BRAKE PADS are NOT ORIGINAL but with these interchangeable.

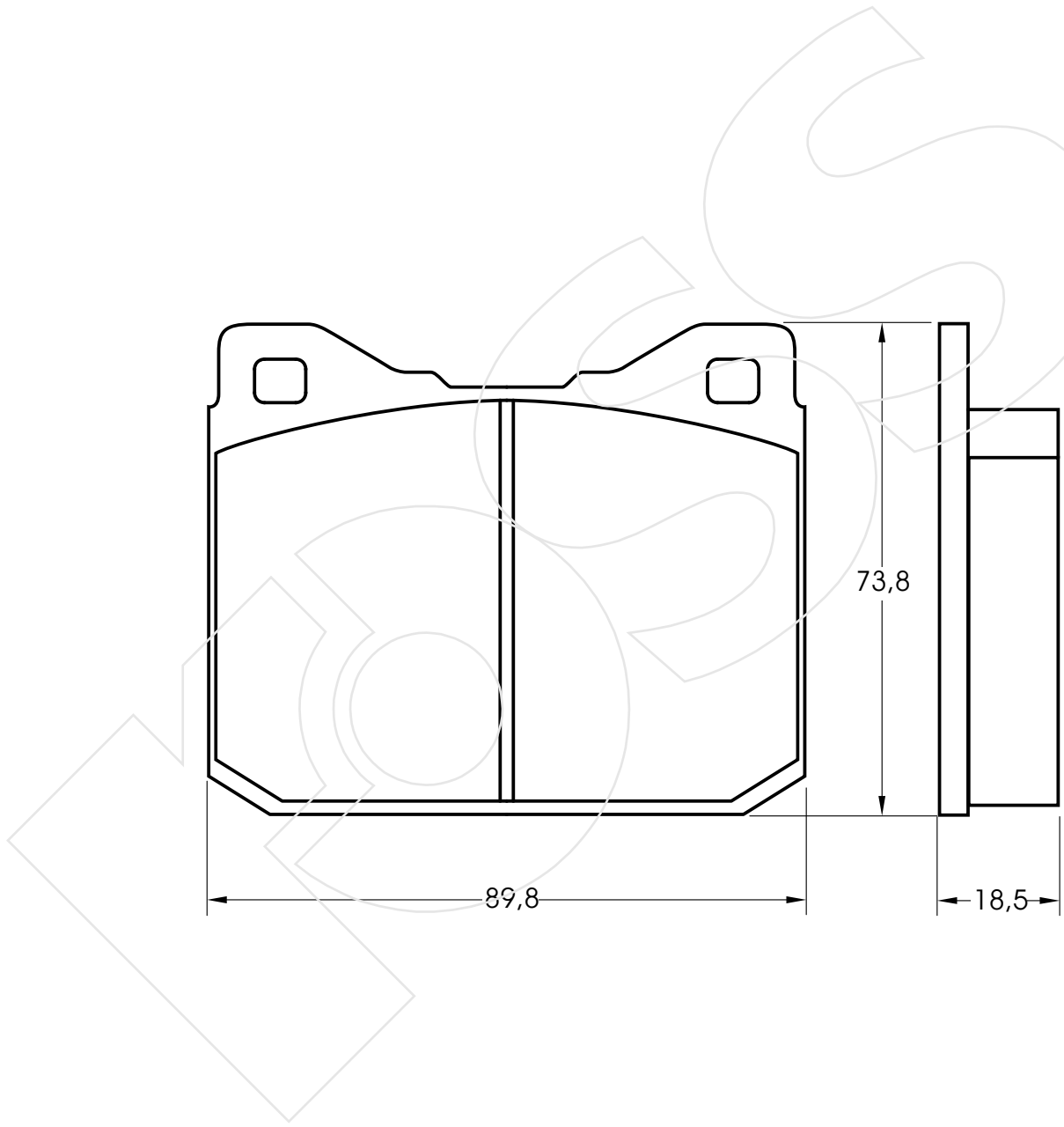
CODICE	IMPIANTO		ASSE	SCALA	APPLICAZIONI
<b>R-196</b>	GIRLING		ANTERIORE	1:1	ALFAROMEО CITROEN FIAT MERCEDES PEUGEOT
CODICE COMPONENTI	N°	L(mm)	SERIE		
M0030+P1012	2+2	*	2 PEZZI TIPO A		
M0030+P1012+F3017	2+2+2	140	2 PEZZI TIPO B		
*	*				
CODICE ACCESSORI	N°	L(mm)	NOTE		
*	*				
*	*				
*	*				
*	*				



Reference in this Catalogue to other manufactures and to part numbers and other descriptions are for identification purposes only, because the above DISC BRAKE PADS are NOT ORIGINAL but with these interchangeable.

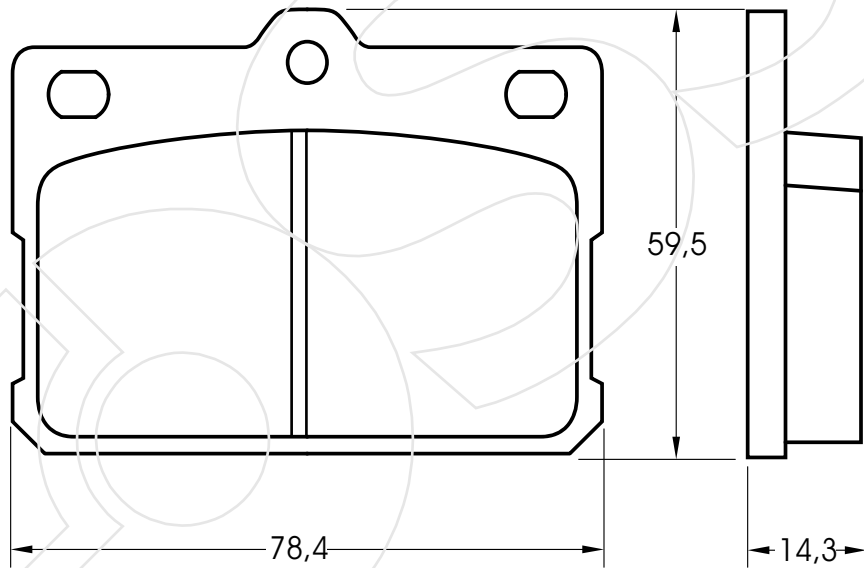


CODICE	IMPIANTO		ASSE	SCALA	APPLICAZIONI
<b>R-197</b>	ATE		ANTERIORE	1:1	VOLKSWAGEN
CODICE COMPONENTI	N°	L(mm)	SERIE		
*	*	*	4 PEZZI		
*	*	*			
*	*	*			
*	*	*			
CODICE ACCESSORI	N°	L(mm)	NOTE		
*	*	*			
*	*	*			
*	*	*			
*	*	*			



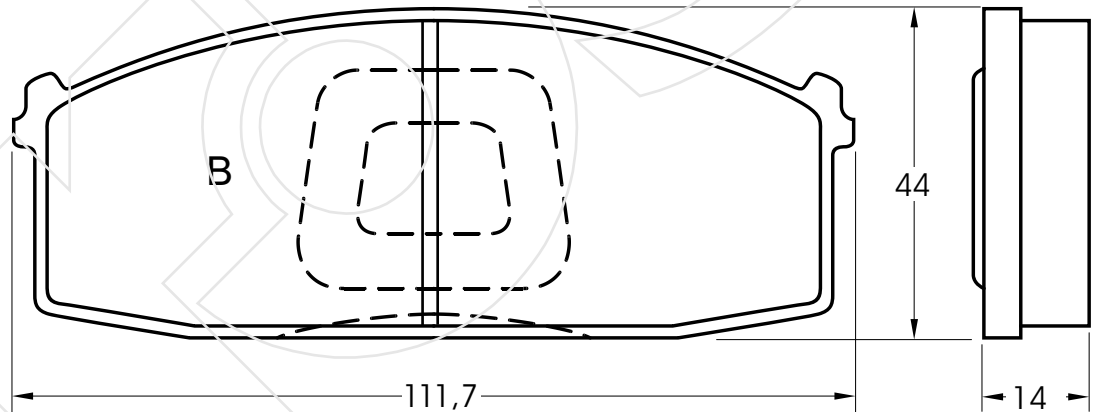
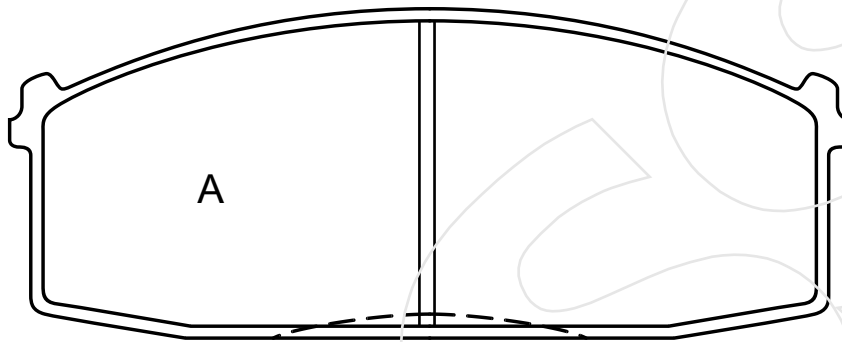
Reference in this Catalogue to other manufactures and to part numbers and other descriptions are for identification purposes only, because the above DISC BRAKE PADS are NOT ORIGINAL but with these interchangeable.

CODICE	IMPIANTO	ASSE	SCALA	APPLICAZIONI
<b>R-198</b>	SUMITOMO	ANTERIORE	1:1	HONDA HYUNDAI MAZDA MITSUBISHI TOYOTA
CODICE COMPONENTI	N°	L(mm)	SERIE	
*	*	*	4 PEZZI	
*	*	*		
*	*	*		
*	*	*		
CODICE ACCESSORI	N°	L(mm)	NOTE	
*	*	*		
*	*	*		
*	*	*		
*	*	*		



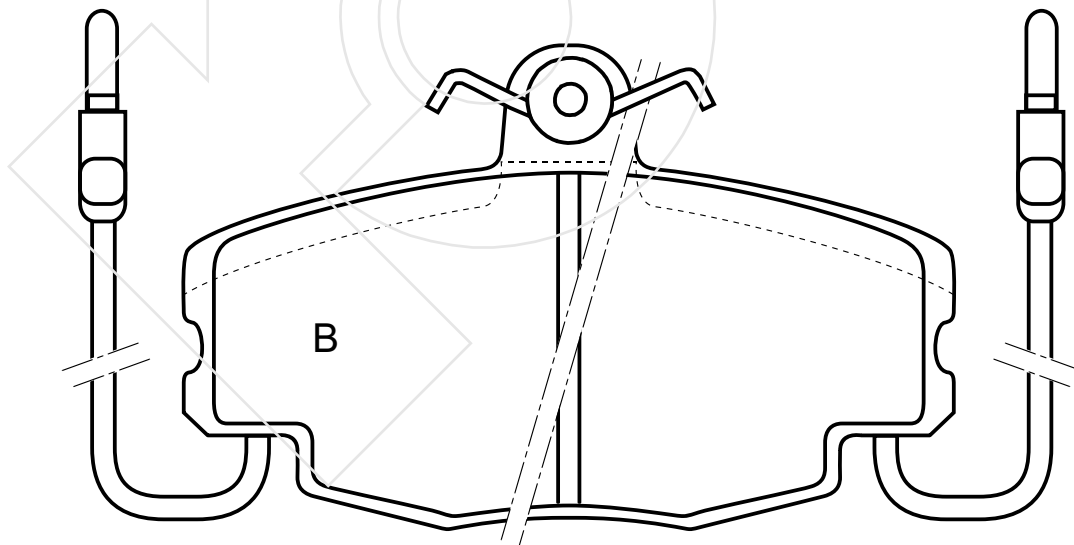
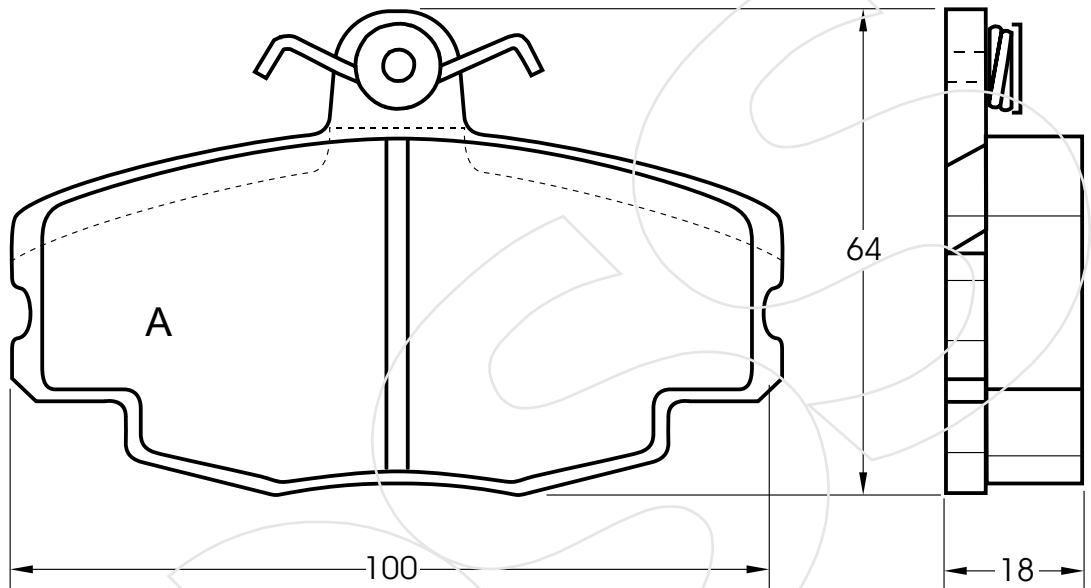
Reference in this Catalogue to other manufactures and to part numbers and other descriptions are for identification purposes only, because the above DISC BRAKE PADS are NOT ORIGINAL but with these interchangeable.

CODICE	IMPIANTO		ASSE	SCALA	APPLICAZIONI
<b>R-199</b>	AKEBONO		ANTERIORE	1:1	NISSAN-DATSUN
CODICE COMPONENTI	N°	L(mm)	SERIE		
*	*	*	2 PEZZI TIPO A		
*	*	*	2 PEZZI TIPO B		
*	*	*			
CODICE ACCESSORI	N°	L(mm)	NOTE		
*	*	*			
*	*	*			
*	*	*			
*	*	*			



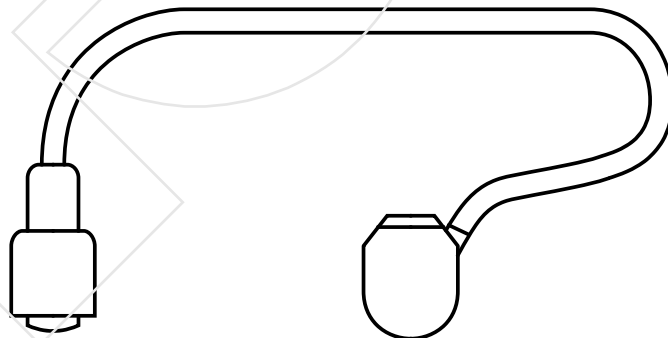
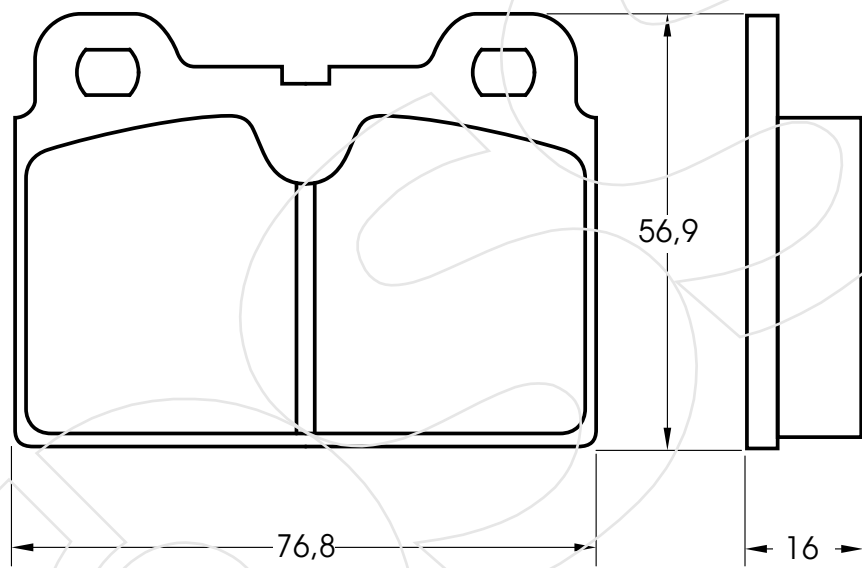
Reference in this Catalogue to other manufactures and to part numbers and other descriptions are for identification purposes only, because the above DISC BRAKE PADS are NOT ORIGINAL but with these interchangeable.

CODICE	IMPIANTO		ASSE	SCALA	APPLICAZIONI
<b>R-201</b>	GIRLING		ANTERIORE	1:1	PEUGEOT RENAULT
CODICE COMPONENTI	N°	L(mm)	SERIE		
M0077+P1012	2+2	*	2 PEZZI TIPO A		
M0077+P1012+F3002	2+2+2	125	2 PEZZI TIPO B		
*	*				
CODICE ACCESSORI	N°	L(mm)	NOTE		
*	*		*		
*	*		*		
*	*		*		
*	*		*		



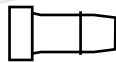
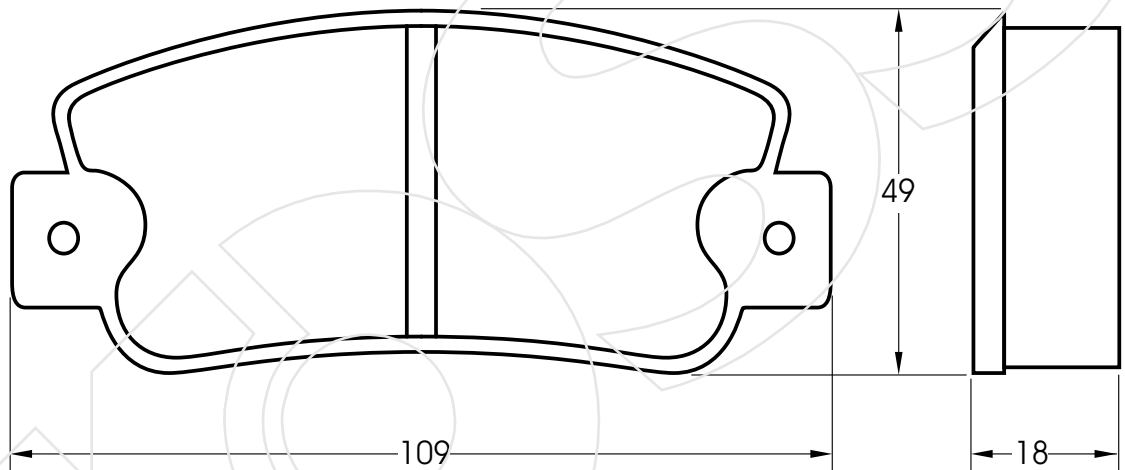
Reference in this Catalogue to other manufactures and to part numbers and other descriptions are for identification purposes only, because the above DISC BRAKE PADS are NOT ORIGINAL but with these interchangeable.

CODICE	IMPIANTO		ASSE	SCALA	APPLICAZIONI
<b>R-202</b>	ATE		ANTERIORE	1:1	TALBOT
CODICE COMPONENTI	N°	L(mm)	SERIE		
*	*	*	4 PEZZI		
F3051	2	170			
*	*	*			
*	*	*			
CODICE ACCESSORI	N°	L(mm)	NOTE		
*	*	*			
*	*	*			
*	*	*			
*	*	*			



Reference in this Catalogue to other manufactures and to part numbers and other descriptions are for identification purposes only, because the above DISC BRAKE PADS are NOT ORIGINAL but with these interchangeable.

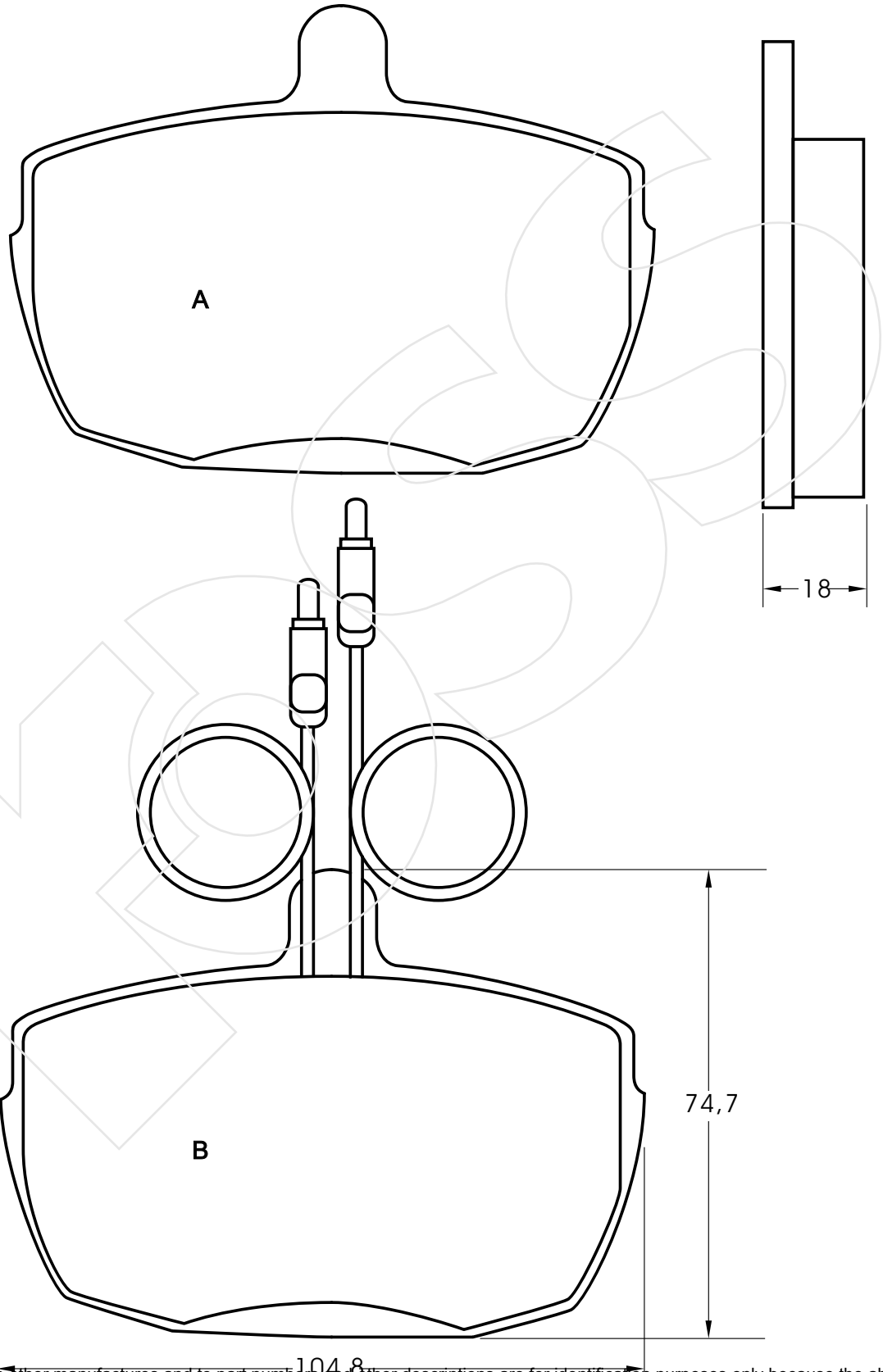
CODICE	IMPIANTO		ASSE	SCALA	APPLICAZIONI
<b>R-203</b>	BENDIX		ANTERIORE	1:1	AUTOBIANCHI FIAT SEAT
CODICE COMPONENTI	N°	L(mm)	SERIE		
*	*	*	4 PEZZI		
F3000	2	*			
*	*	*			
*	*	*			
*	*	*			
CODICE ACCESSORI	N°	L(mm)	NOTE		
*	*	*			
*	*	*			
*	*	*			
*	*	*			



F3000

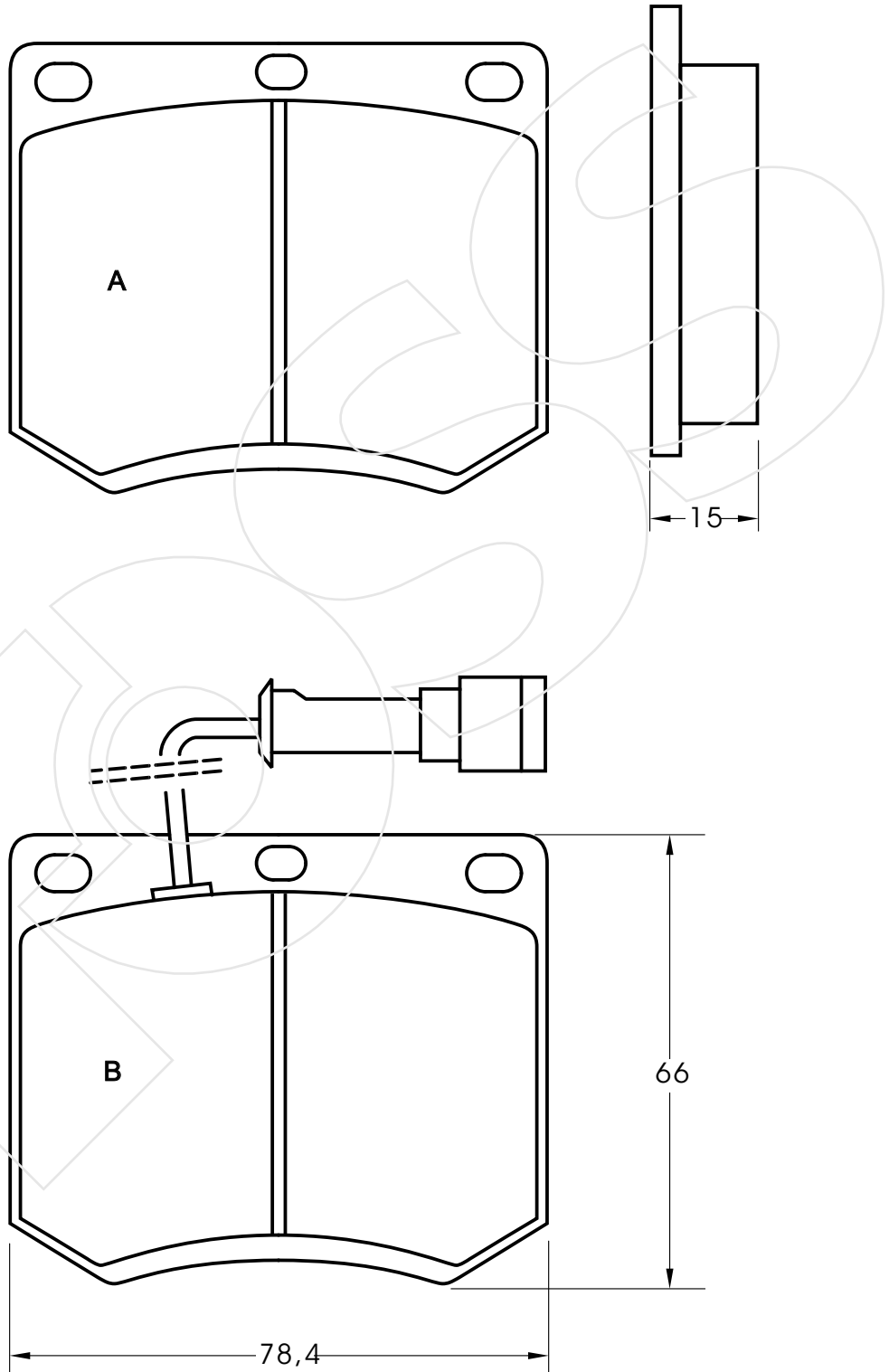
Reference in this Catalogue to other manufactures and to part numbers and other descriptions are for identification purposes only, because the above DISC BRAKE PADS are NOT ORIGINAL but with these interchangeable.

CODICE	IMPIANTO	ASSE	SCALA	APPLICAZIONI
<b>R-204</b>	LOCKEED	ANTERIORE	1:1	ALFAROMEIO FIAT
CODICE COMPONENTI	N°	L(mm)	SERIE	
*	*	*	2 PEZZI TIPO A	
F3003+F3005	2+2	140/200	2 PEZZI TIPO B	
*	*	*		
CODICE ACCESSORI	N°	L(mm)	NOTE	
*	*	*		
*	*	*		
*	*	*		
*	*	*		



Reference in this Catalogue to other manufactures and to part numbers and other descriptions are for identification purposes only, because the above DISC BRAKE PADS are NOT ORIGINAL but with these interchangeable.

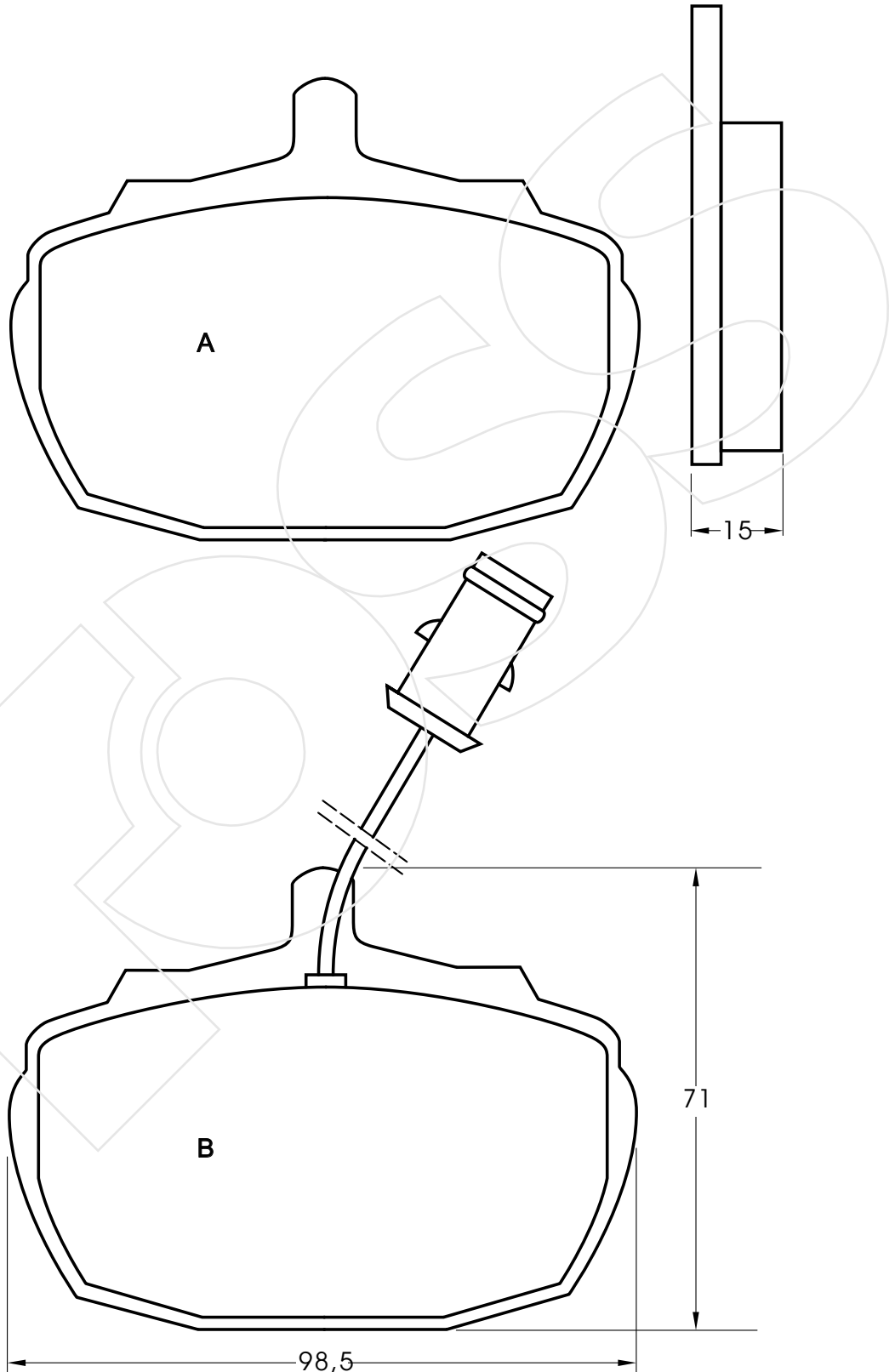
CODICE	IMPIANTO	ASSE	SCALA	APPLICAZIONI
<b>R-205</b>	GIRLING	ANTERIORE	1:1	FORD HYUNDAI
CODICE COMPONENTI	N°	L(mm)	SERIE	
*	*	*	2 PEZZI TIPO A	
F3023	2	225	2 PEZZI TIPO B	
*	*	*		
*	*	*		
CODICE ACCESSORI	N°	L(mm)	NOTE	
*	*	*		
*	*	*		
*	*	*		
*	*	*		



Reference in this Catalogue to other manufactures and to part numbers and other descriptions are for identification purposes only, because the above DISC BRAKE PADS are NOT ORIGINAL but with these interchangeable.

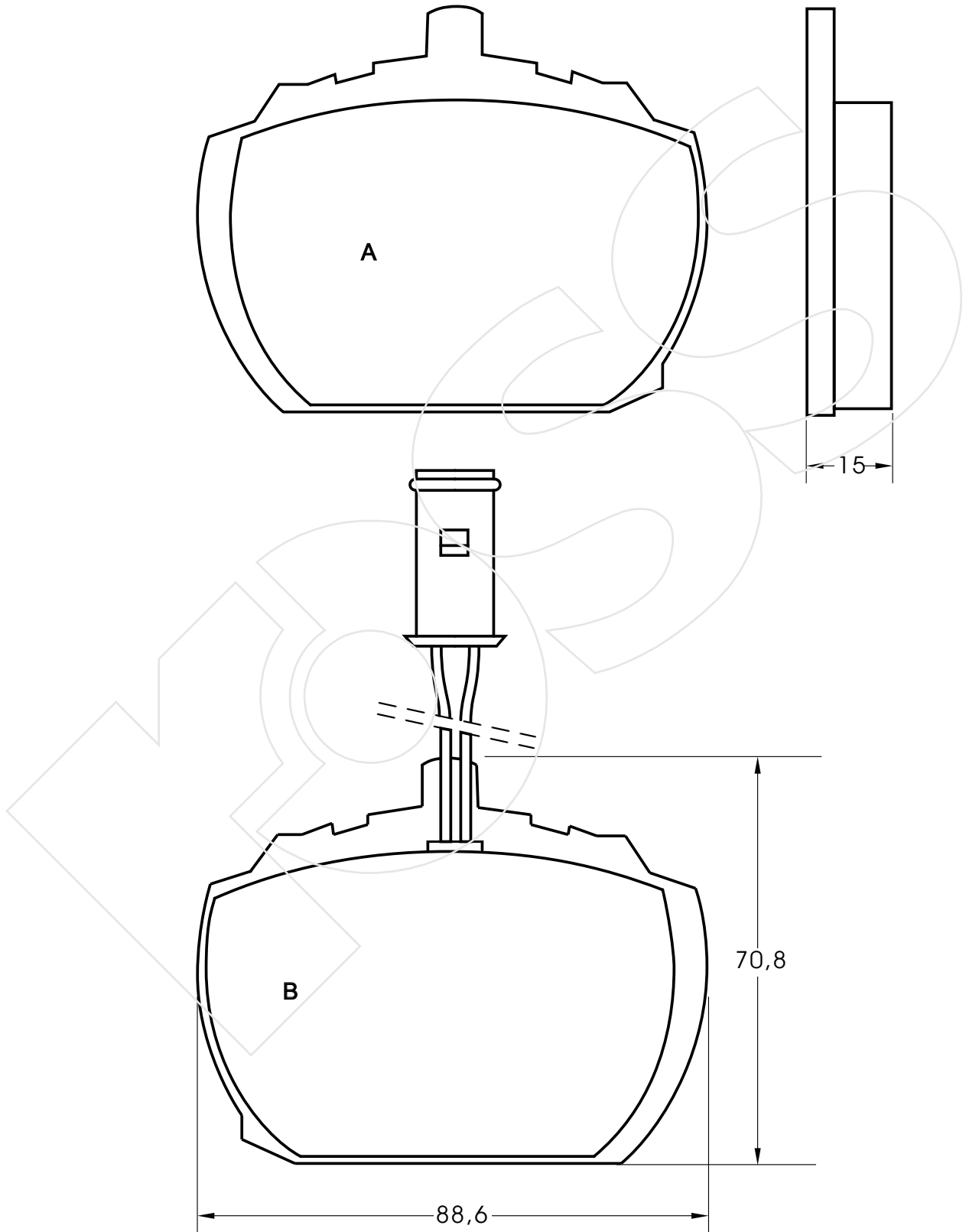


CODICE	IMPIANTO	ASSE	SCALA	APPLICAZIONI
<b>R-206</b>	LOCKEED	ANTERIORE	1:1	ROVER
CODICE COMPONENTI	N°	L(mm)	SERIE	
*	*	*	2 PEZZI TIPO A	
F3024	2	225	2 PEZZI TIPO B	
*	*	*		
*	*	*		
CODICE ACCESSORI	N°	L(mm)	NOTE	
*	*	*		
*	*	*		
*	*	*		
*	*	*		



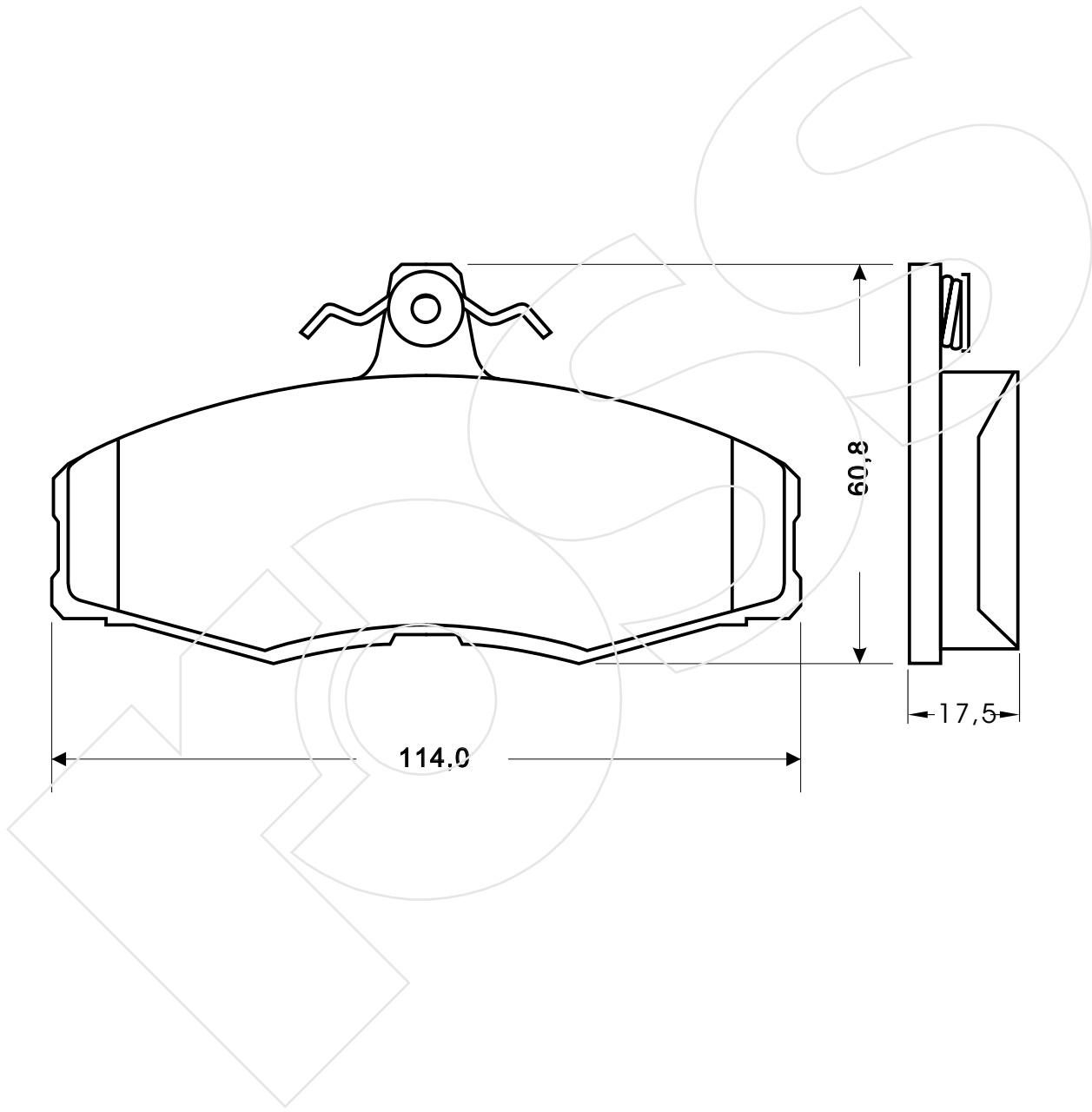
Reference in this Catalogue to other manufactures and to part numbers and other descriptions are for identification purposes only, because the above DISC BRAKE PADS are NOT ORIGINAL but with these interchangeable.

CODICE	IMPIANTO	ASSE	SCALA	APPLICAZIONI
<b>R-207</b>	LOCKEED	ANTERIORE	1:1	ROVER VAUXHALL
CODICE COMPONENTI	N°	L(mm)	SERIE	
*	*	*	2 PEZZI TIPO A	
F3024	2	225	2 PEZZI TIPO B	
*	*	*		
*	*	*		
CODICE ACCESSORI	N°	L(mm)	NOTE	
*	*	*		
*	*	*		
*	*	*		
*	*	*		



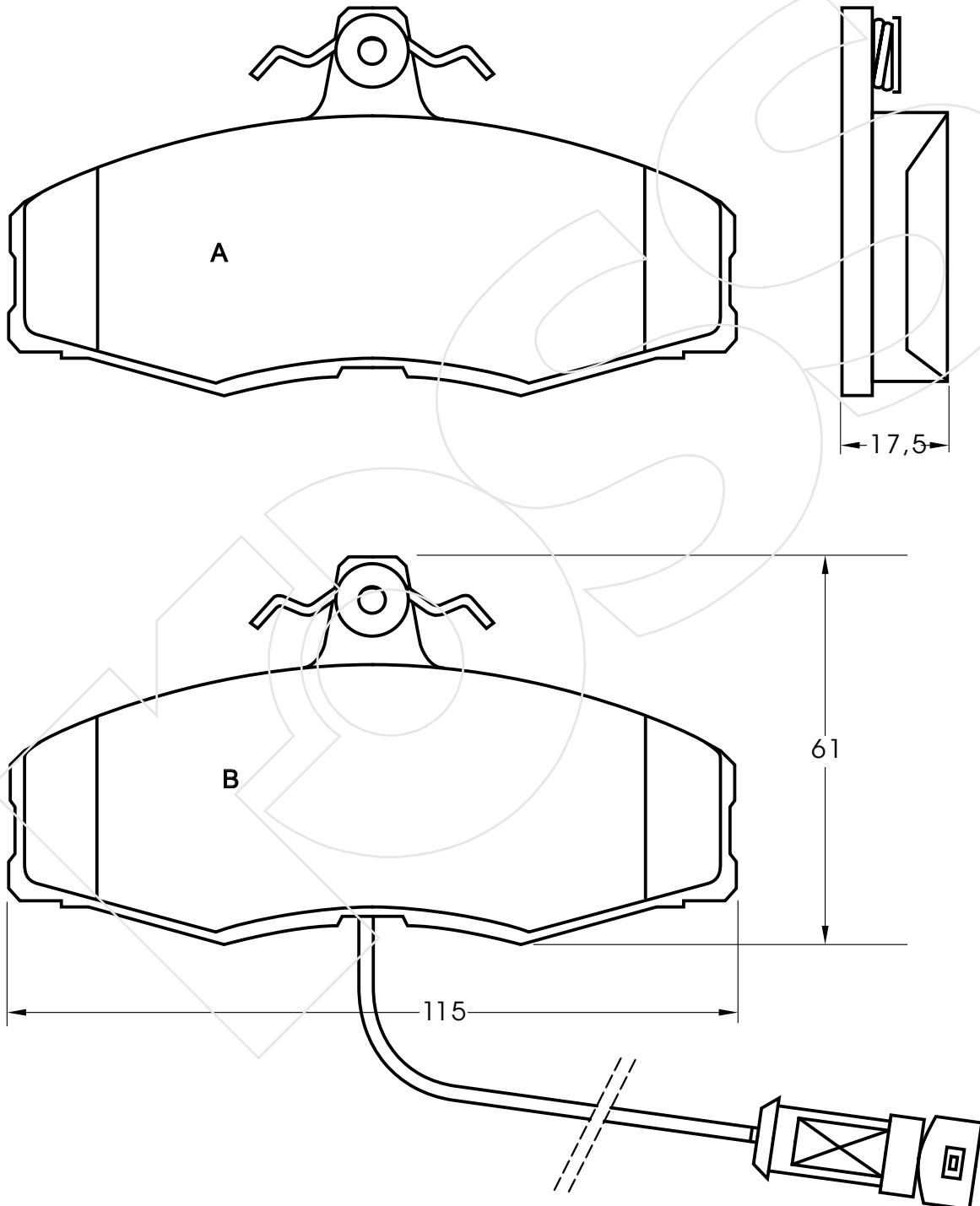
Reference in this Catalogue to other manufactures and to part numbers and other descriptions are for identification purposes only, because the above DISC BRAKE PADS are NOT ORIGINAL but with these interchangeable.

CODICE	IMPIANTO	ASSE	SCALA	APPLICAZIONI
<b>R-208</b>	GIRLING	ANTERIORE	1:1	FORD SKODA
CODICE COMPONENTI	N°	L(mm)	SERIE	
M0030+P1010	4+4	*	4 PEZZI	
*	*	*		
*	*	*		
*	*	*		
*	*	*		
CODICE ACCESSORI	N°	L(mm)	NOTE	
*	*			
*	*			
*	*			
*	*			



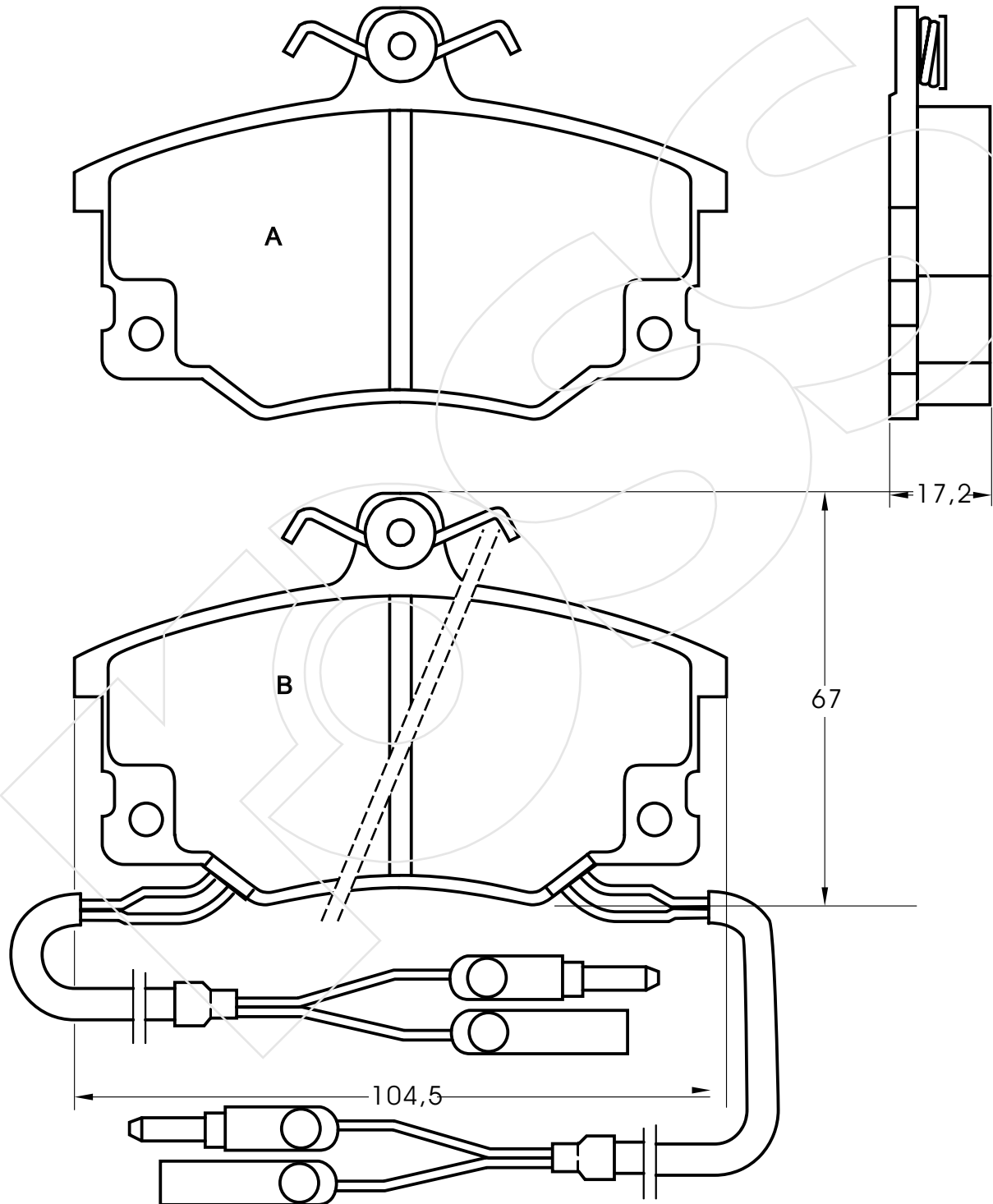
Reference in this Catalogue to other manufactures and to part numbers and other descriptions are for identification purposes only, because the above DISC BRAKE PADS are NOT ORIGINAL but with these interchangeable.

CODICE	IMPIANTO	ASSE	SCALA	APPLICAZIONI
<b>R-209</b>	GIRLING	ANTERIORE	1:1	FORD
CODICE COMPONENTI	N°	L(mm)	SERIE	
M0030+P1010	2+2	*	2 PEZZI TIPO A	
M0030+P1012+F3023	2+2+2	225	2 PEZZI TIPO B	
*	*	*		
*	*	*		
CODICE ACCESSORI	N°	L(mm)	NOTE	
*	*			
*	*			
*	*			
*	*			



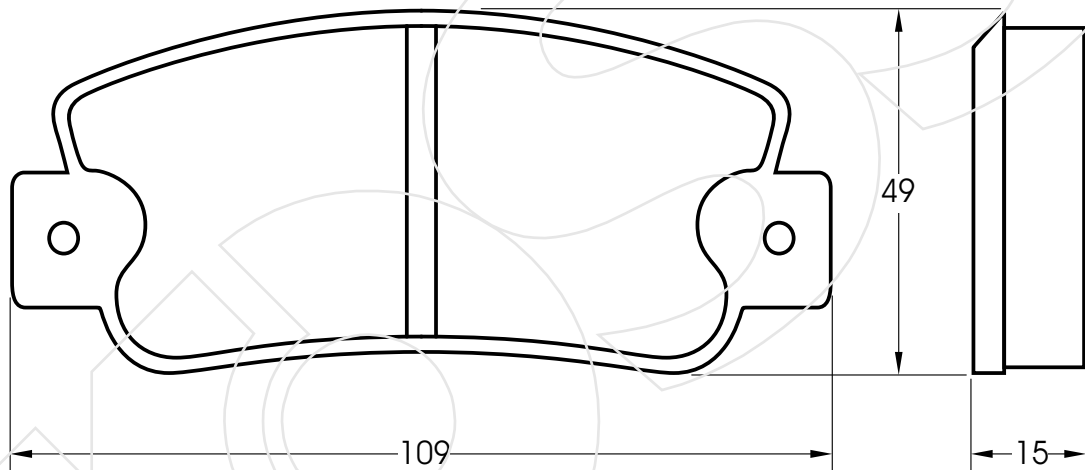
Reference in this Catalogue to other manufactures and to part numbers and other descriptions are for identification purposes only, because the above DISC BRAKE PADS are NOT ORIGINAL but with these interchangeable.

CODICE	IMPIANTO		ASSE	SCALA	APPLICAZIONI
<b>R-210</b>	GIRLING		ANTERIORE	1:1	LANCIA
CODICE COMPONENTI	N°	L(mm)	SERIE		
M0077+P1011	2+2	*	2 PEZZI TIPO A		
M0077+P1011+F3025	2+2+2	700	2 PEZZI TIPO B		
*	*	*			
*	*	*			
CODICE ACCESSORI	N°	L(mm)	NOTE		
*	*				
*	*				
*	*				
*	*				



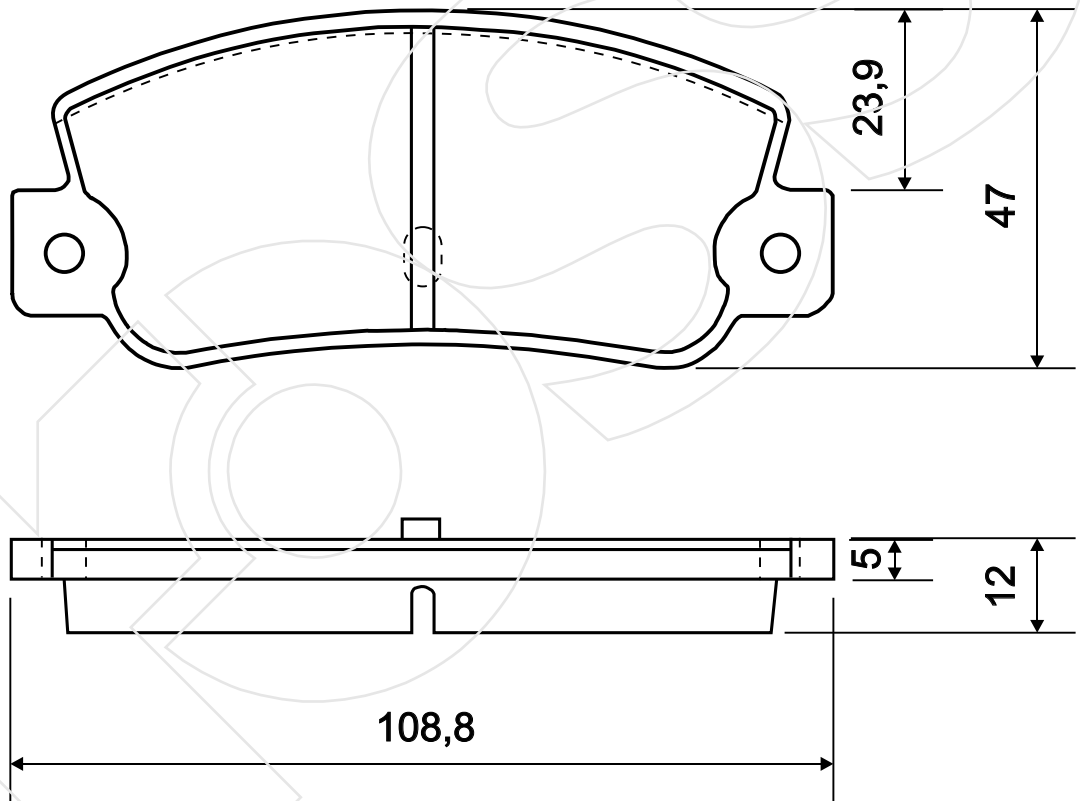
Reference in this Catalogue to other manufactures and to part numbers and other descriptions are for identification purposes only, because the above DISC BRAKE PADS are NOT ORIGINAL but with these interchangeable.

CODICE	IMPIANTO		ASSE	SCALA	APPLICAZIONI
<b>R-211</b>	BENDIX		ANTERIORE	1:1	ALFAROMEIO
CODICE COMPONENTI	N°	L(mm)	SERIE		
*	*	*	4 PEZZI		
*	*	*			
*	*	*			
*	*	*			
CODICE ACCESSORI	N°	L(mm)	NOTE		
*	*	*			
*	*	*			
*	*	*			
*	*	*			



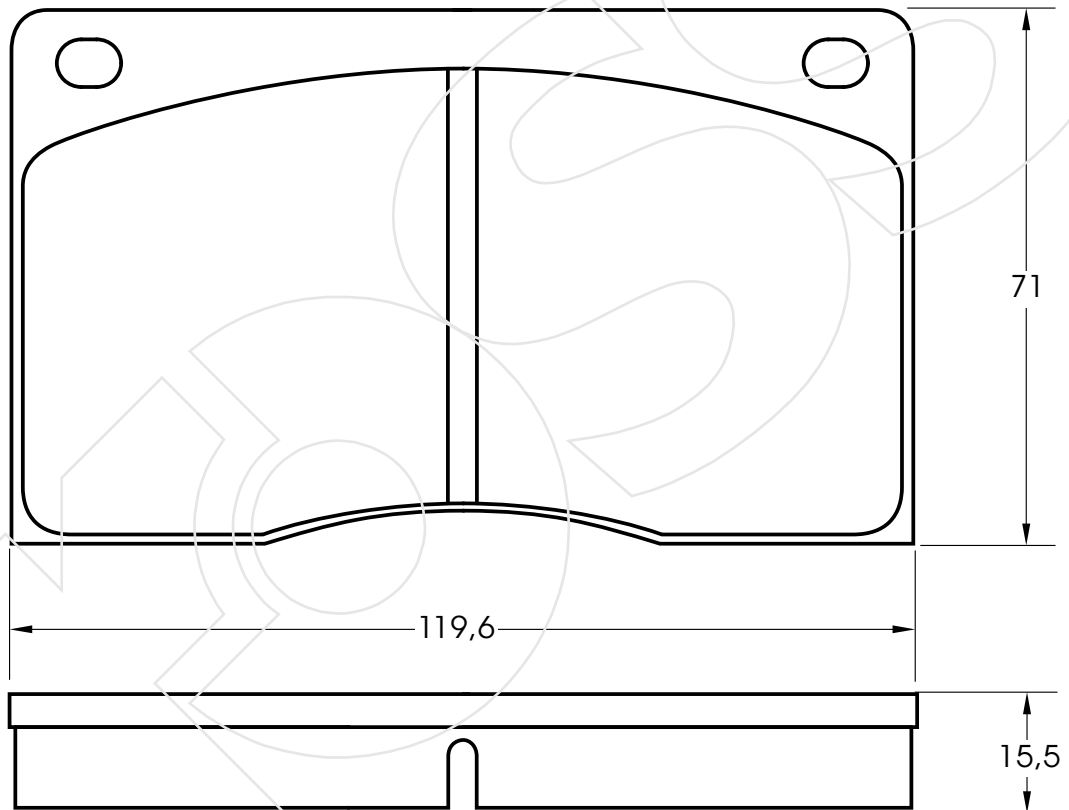
Reference in this Catalogue to other manufactures and to part numbers and other descriptions are for identification purposes only, because the above DISC BRAKE PADS are NOT ORIGINAL but with these interchangeable.

CODICE	IMPIANTO	ASSE	SCALA	APPLICAZIONI
<b>R-212</b>	BENDIX	POSTERIORE	1:1	FIAT LANCIA
CODICE COMPONENTI	N°	L(mm)	SERIE	
*	*	*	4 PEZZI	
*	*		*	
*	*		*	
CODICE ACCESSORI	N°	L(mm)	NOTE	
*	*		*	
*	*		*	
*	*		*	
*	*		*	



Reference in this Catalogue to other manufactures and to part numbers and other descriptions are for identification purposes only, because the above DISC BRAKE PADS are NOT ORIGINAL but with these interchangeable.

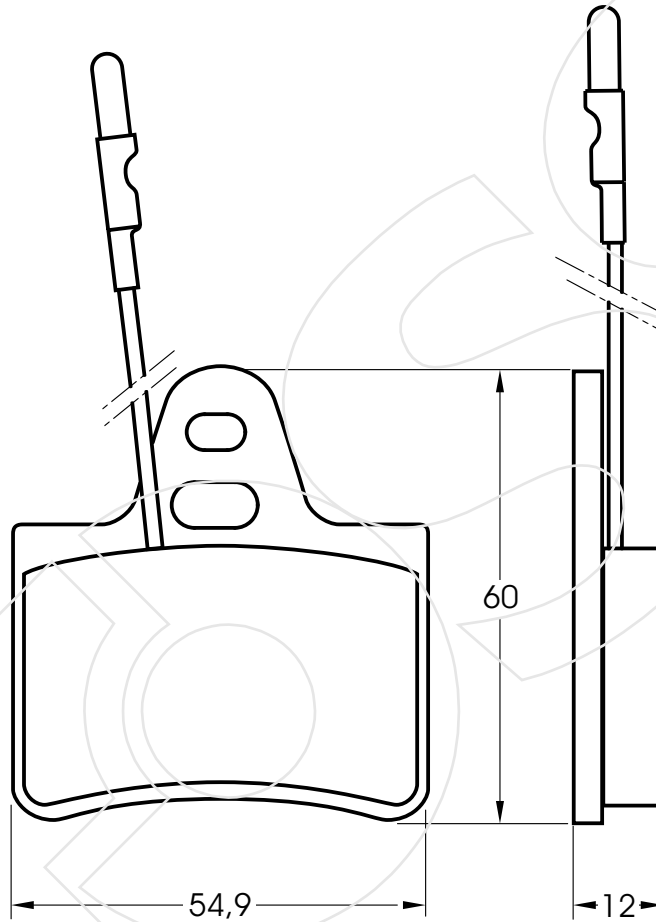
CODICE	IMPIANTO	ASSE	SCALA	APPLICAZIONI
<b>R-213</b>	GIRLING	ANTERIORE	1:1	RENAULT
CODICE COMPONENTI	N°	L(mm)	SERIE	
*	*	*	4 PEZZI	
*	*	*		
*	*	*		
*	*	*		
CODICE ACCESSORI	N°	L(mm)	NOTE	
*	*	*		
*	*	*		
*	*	*		
*	*	*		



Reference in this Catalogue to other manufactures and to part numbers and other descriptions are for identification purposes only, because the above DISC BRAKE PADS are NOT ORIGINAL but with these interchangeable.

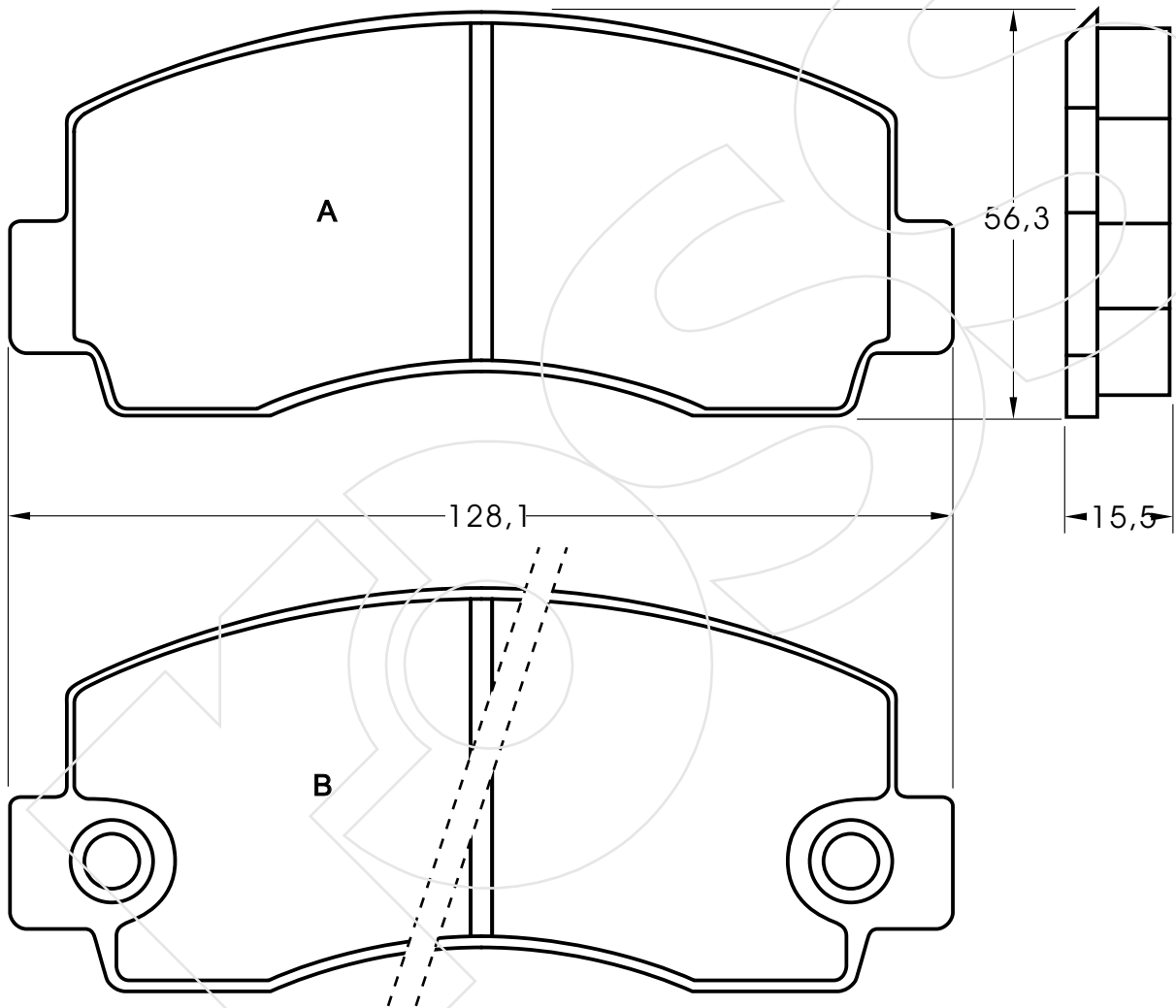


CODICE	IMPIANTO		ASSE	SCALA	APPLICAZIONI
<b>R-214</b>	CITROEN		POSTERIORE	1:1	CITROEN
CODICE COMPONENTI	N°	L(mm)	SERIE		
F3001	4	110	4 PEZZI		
*	*	*			
*	*	*			
*	*	*			
CODICE ACCESSORI	N°	L(mm)	NOTE		
*	*	*			
*	*	*			
*	*	*			
*	*	*			



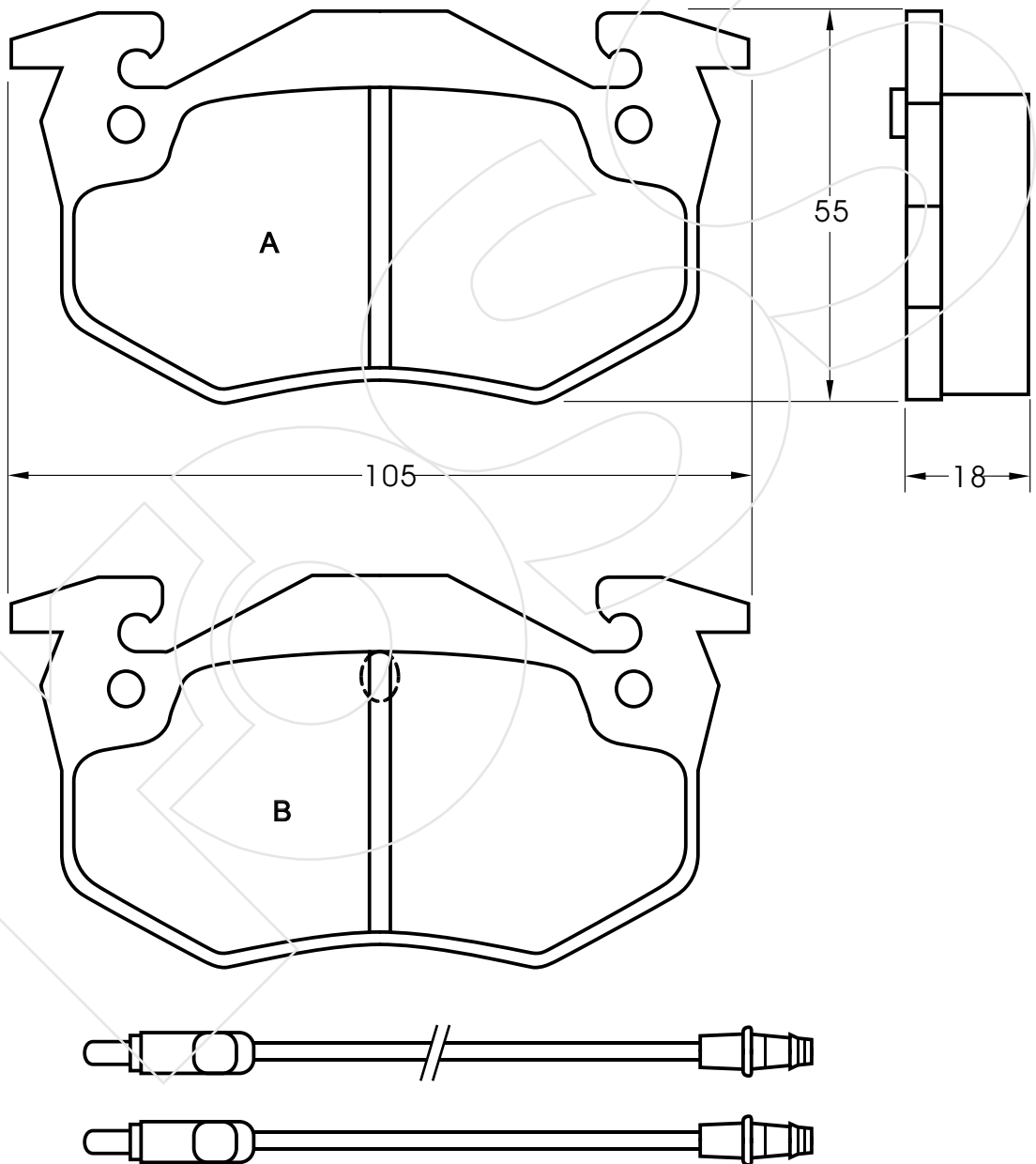
Reference in this Catalogue to other manufactures and to part numbers and other descriptions are for identification purposes only, because the above DISC BRAKE PADS are NOT ORIGINAL but with these interchangeable.

CODICE	IMPIANTO	ASSE	SCALA	APPLICAZIONI
<b>R-215</b>	SUMITOMO	ANTERIORE	1:1	TOYOTA
CODICE COMPONENTI	N°	L(mm)	SERIE	
*	*	*	2 PEZZI TIPO A	
B2002	2	*	2 PEZZI TIPO B	
*	*	*		
*	*	*		
CODICE ACCESSORI	N°	L(mm)	NOTE	
*	*	*		
*	*	*		
*	*	*		
*	*	*		



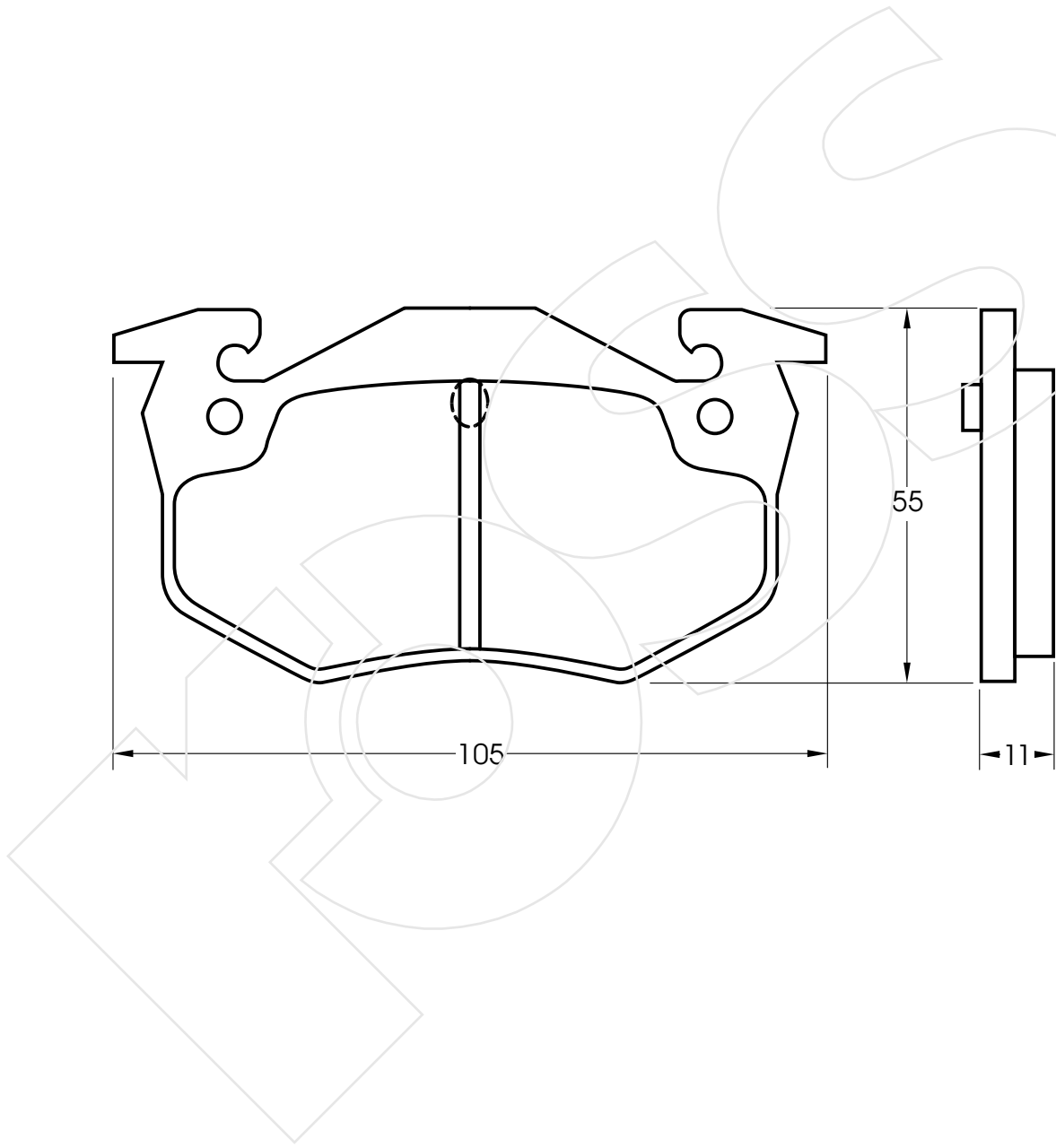
Reference in this Catalogue to other manufactures and to part numbers and other descriptions are for identification purposes only, because the above DISC BRAKE PADS are NOT ORIGINAL but with these interchangeable.

CODICE	IMPIANTO		ASSE	SCALA	APPLICAZIONI
<b>R-216</b>	BENDIX		ANTERIORE	1:1	CITROEN RENAULT
CODICE COMPONENTI	N°	L(mm)	SERIE		
*	*	*	2 PEZZI TIPO A		
*	*	*	2 PEZZI TIPO B		
F3049	2	130			
F3052	2	250			
CODICE ACCESSORI	N°	L(mm)	NOTE		
*	*	*			
*	*	*			
*	*	*			
*	*	*			



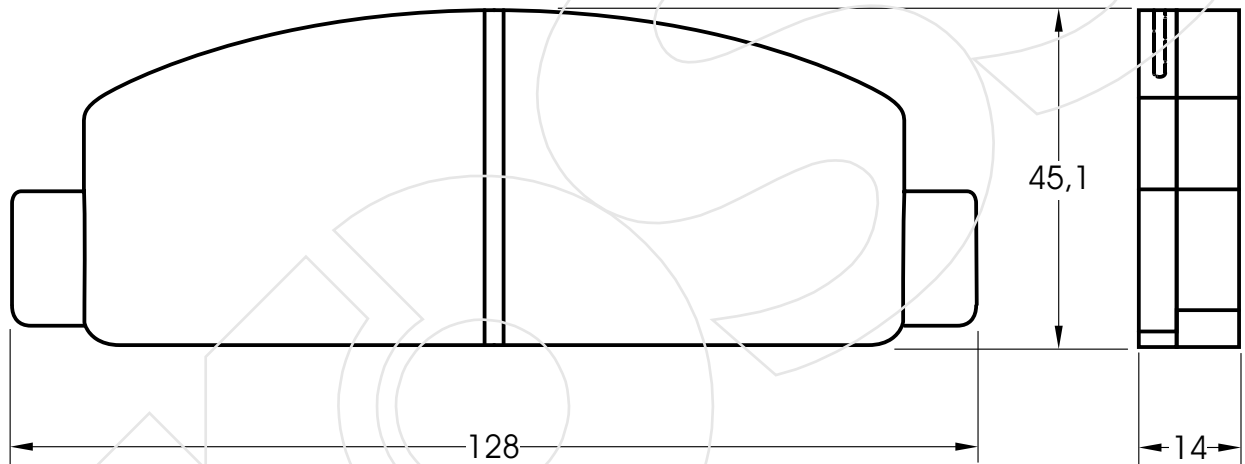
Reference in this Catalogue to other manufactures and to part numbers and other descriptions are for identification purposes only, because the above DISC BRAKE PADS are NOT ORIGINAL but with these interchangeable.

CODICE	IMPIANTO		ASSE	SCALA	APPLICAZIONI
<b>R-217</b>	BENDIX		POSTERIORE	1:1	PEUGEOT RENAULT
CODICE COMPONENTI	N°	L(mm)	SERIE		
*	*	*	4 PEZZI		
*	*	*			
*	*	*			
*	*	*			
CODICE ACCESSORI	N°	L(mm)	NOTE		
*	*	*			
*	*	*			
*	*	*			



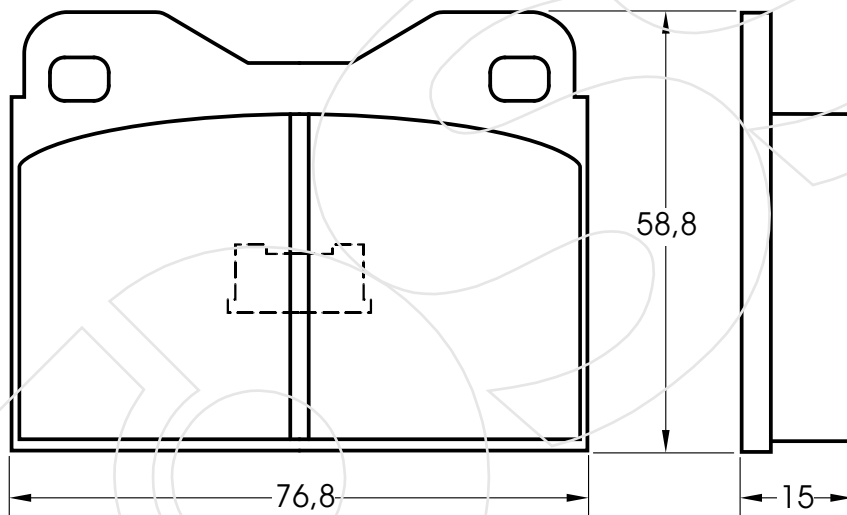
Reference in this Catalogue to other manufactures and to part numbers and other descriptions are for identification purposes only, because the above DISC BRAKE PADS are NOT ORIGINAL but with these interchangeable.

CODICE	IMPIANTO	ASSE	SCALA	APPLICAZIONI
<b>R-218</b>	AKEBONO	ANTERIORE	1:1	MAZDA
CODICE COMPONENTI	N°	L(mm)	SERIE	
*	*	*	4 PEZZI	
*	*	*		
*	*	*		
*	*	*		
CODICE ACCESSORI	N°	L(mm)	NOTE	
*	*	*		
*	*	*		
*	*	*		
*	*	*		



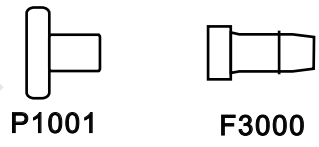
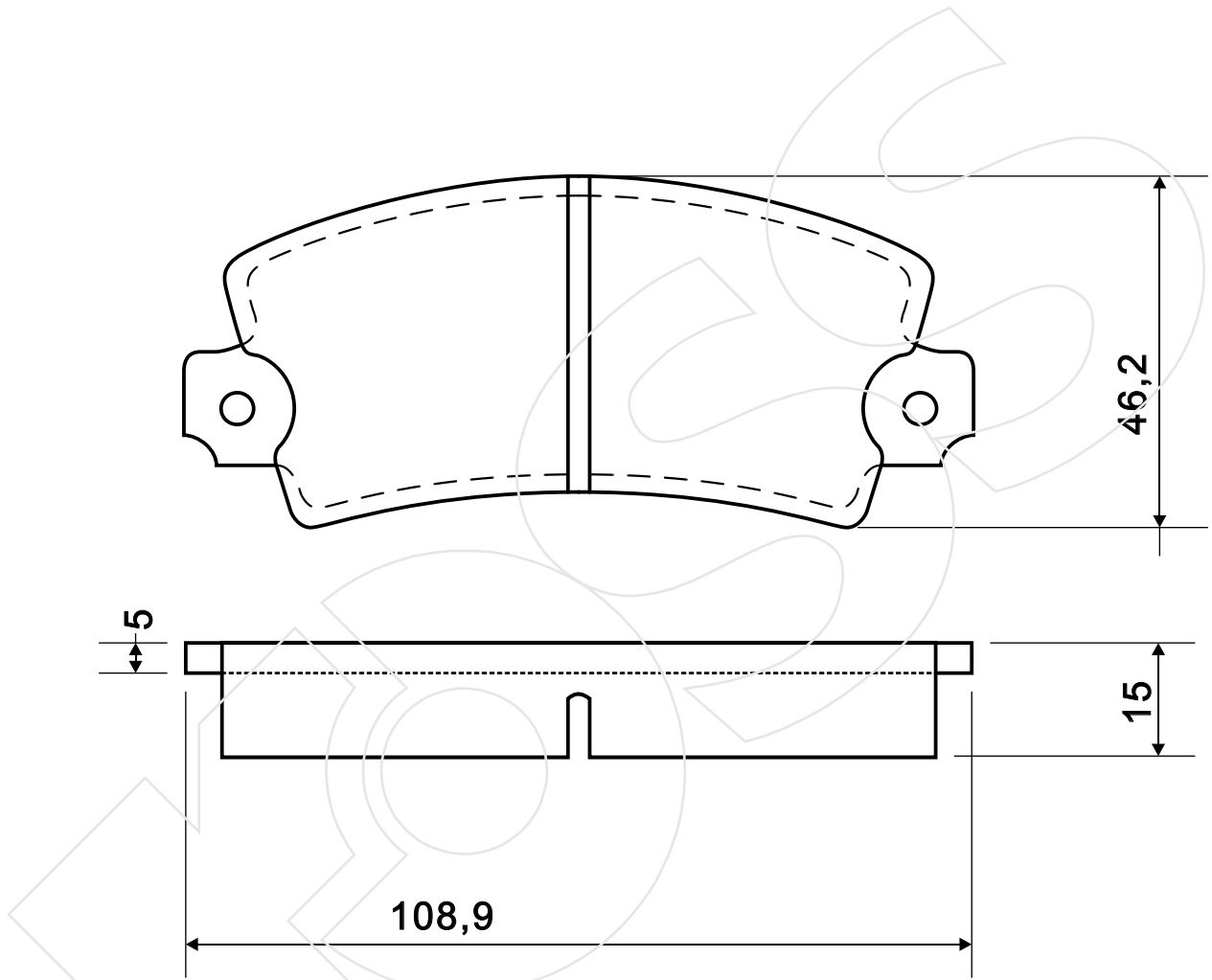
Reference in this Catalogue to other manufactures and to part numbers and other descriptions are for identification purposes only, because the above DISC BRAKE PADS are NOT ORIGINAL but with these interchangeable.

CODICE	IMPIANTO		ASSE	SCALA	APPLICAZIONI
<b>R-219</b>	ATE		ANTERIORE	1:1	PEUGEOT RENAULT TALBOT
CODICE COMPONENTI	N°	L(mm)	SERIE		
*	*	*	4 PEZZI		
*	*	*			
*	*	*			
*	*	*			
CODICE ACCESSORI	N°	L(mm)	NOTE		
*	*	*			
*	*	*			
*	*	*			
*	*	*			



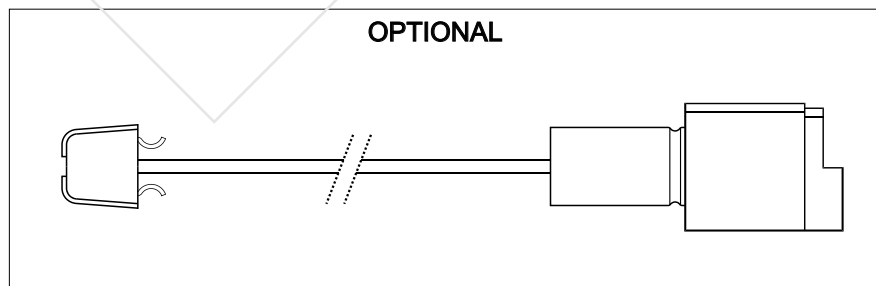
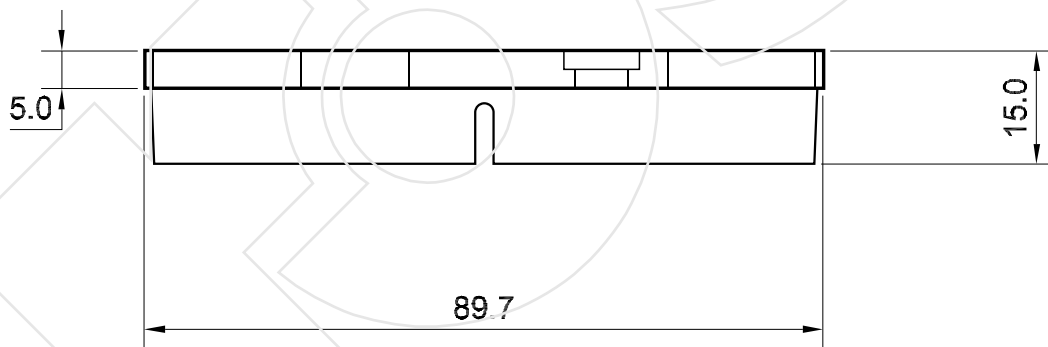
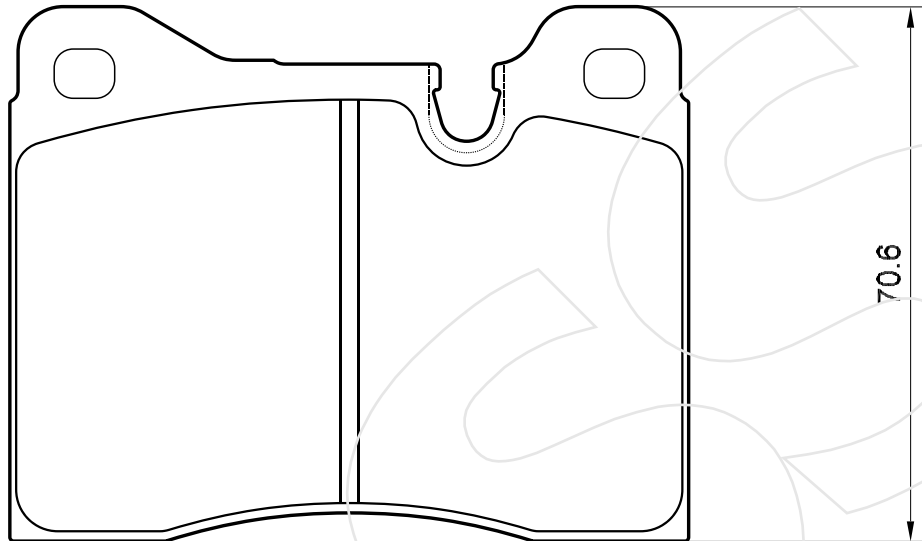
Reference in this Catalogue to other manufactures and to part numbers and other descriptions are for identification purposes only, because the above DISC BRAKE PADS are NOT ORIGINAL but with these interchangeable.

CODICE	IMPIANTO		ASSE	SCALA	APPLICAZIONI
<b>R-220</b>	BENDIX		ANTERIORE	1:1	PEUGEOT RENAULT TALBOT
CODICE COMPONENTI	N°	L(mm)	SERIE		
*	*	*	4 PEZZI		
P1001	4	*			
F3000	2				
CODICE ACCESSORI	N°	L(mm)	NOTE		
			*		
	*		*		
*	*		*		
*	*		*		



Reference in this Catalogue to other manufactures and to part numbers and other descriptions are for identification purposes only, because the above DISC BRAKE PADS are NOT ORIGINAL but with these interchangeable.

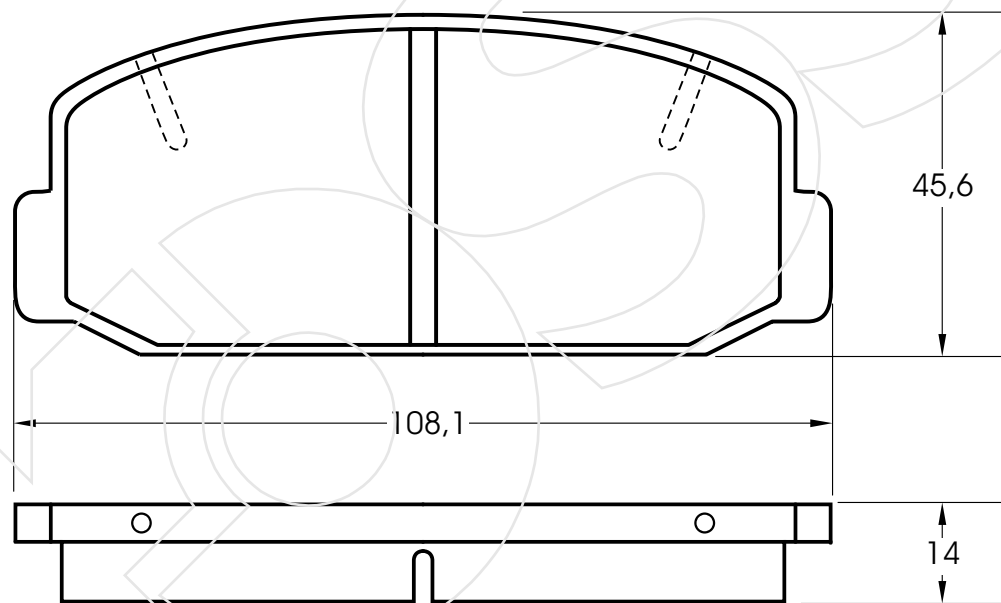
CODICE	IMPIANTO		ASSE	SCALA	APPLICAZIONI
<b>R-221</b>	ATE		ANTERIORE	100%	ALFA ROMEO BMW
CODICE COMPONENTI	N°	L(mm)	SERIE		
*	*	*	4 PEZZI		
*	*	*	*		
*	*	*	*		
*	*	*	*		
OPTIONAL	N°	L(mm)	NOTE		
F3080	2	130	*		
*	*	*	*		
*	*	*	*		
*	*	*	*		



Reference in this Catalogue to other manufactures and to part numbers and other descriptions are for identification purposes only, because the above DISC BRAKE PADS are NOT ORIGINAL but with these interchangeable.

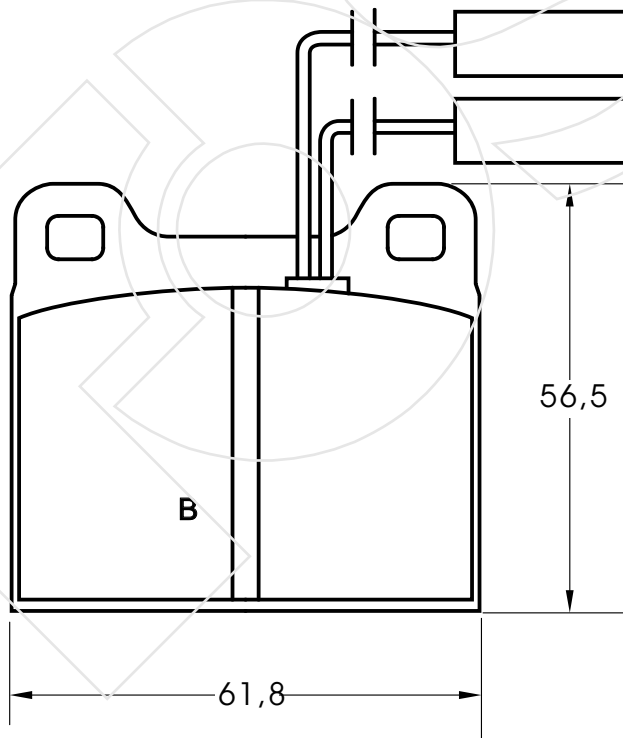
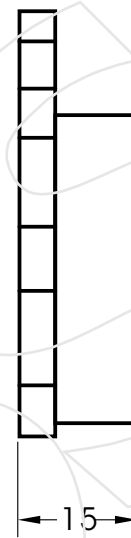
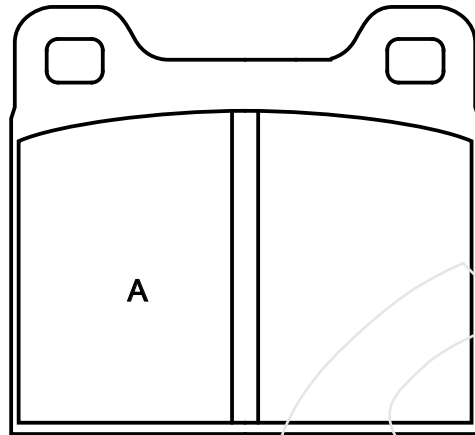


CODICE	IMPIANTO	ASSE	SCALA	APPLICAZIONI
<b>R-223</b>	AKEBONO	ANTERIORE	1:1	DAIHATSU TOYOTA
CODICE COMPONENTI	N°	L(mm)	SERIE	
*	*	*	4 PEZZI	
*	*	*		
*	*	*		
*	*	*		
CODICE ACCESSORI	N°	L(mm)	NOTE	
*	*	*		
*	*	*		
*	*	*		
*	*	*		



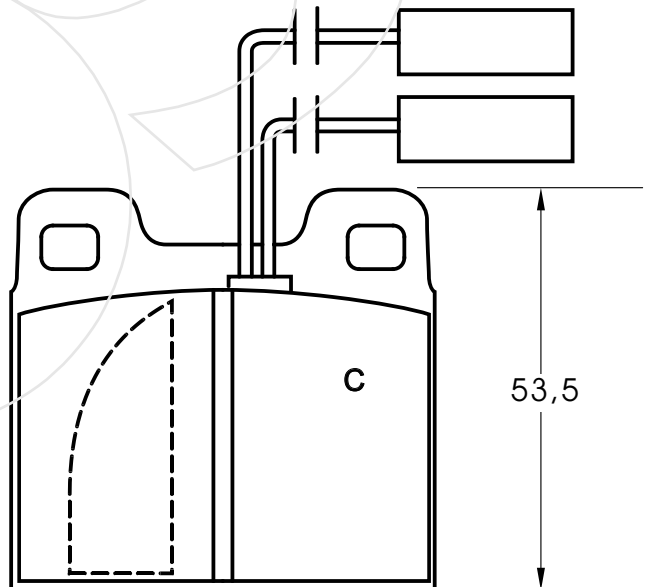
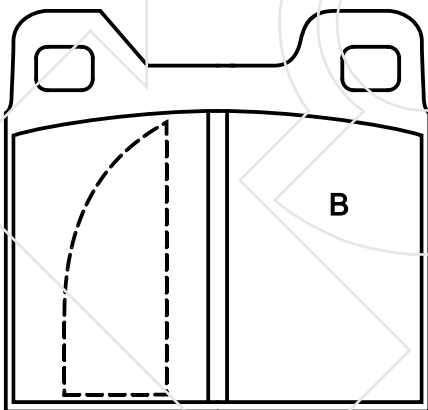
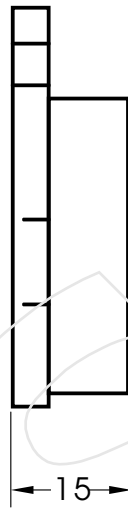
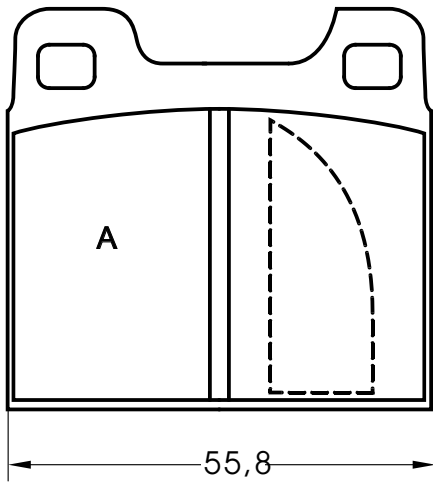
Reference in this Catalogue to other manufactures and to part numbers and other descriptions are for identification purposes only, because the above DISC BRAKE PADS are NOT ORIGINAL but with these interchangeable.

CODICE	IMPIANTO		ASSE	SCALA	APPLICAZIONI
<b>R-224</b>	ATE		ANTERIORE	1:1	ALFAROMEIO
CODICE COMPONENTI	N°	L(mm)	SERIE		
*	*	*	3 PEZZI TIPO A		
F3026	1	800	1 PEZZO TIPO B		
*	*	*			
CODICE ACCESSORI	N°	L(mm)	NOTE		
*	*				
*	*				
*	*				
*	*				



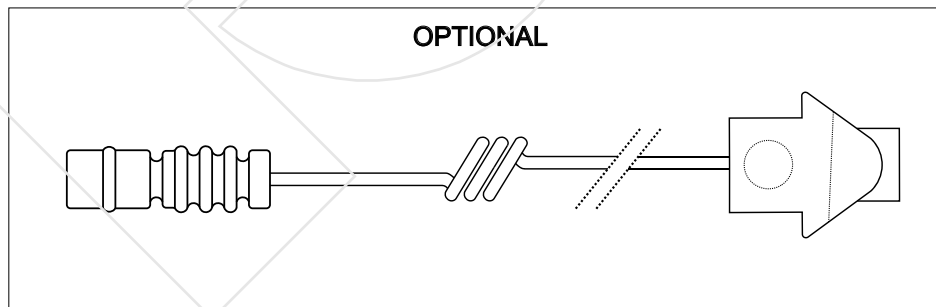
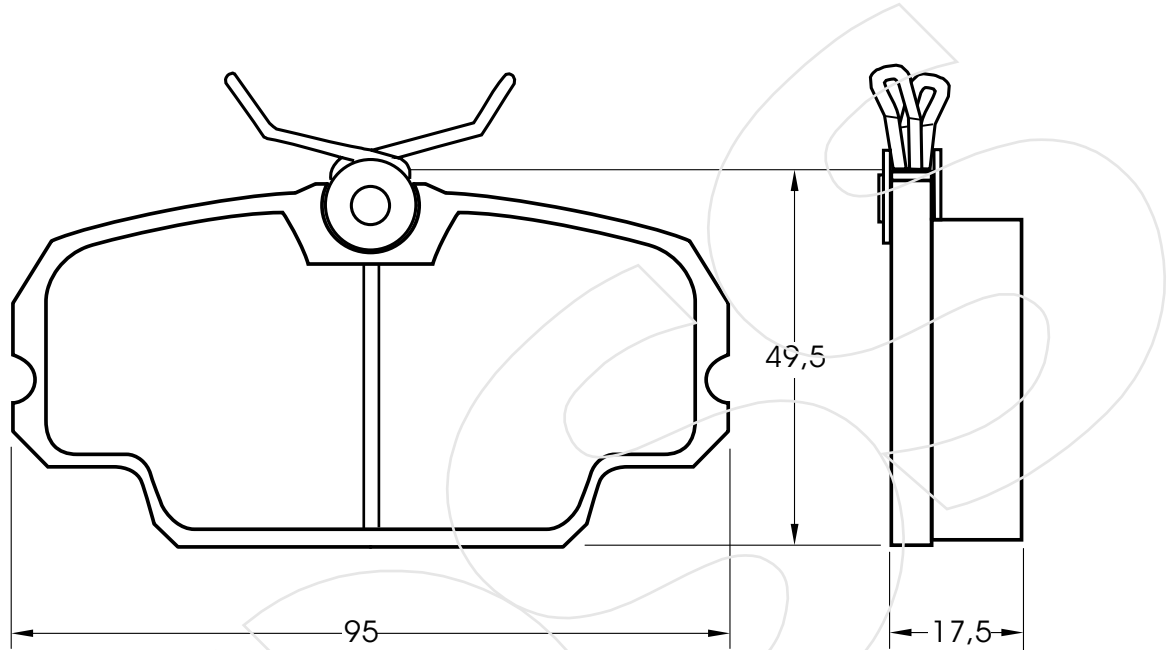
Reference in this Catalogue to other manufactures and to part numbers and other descriptions are for identification purposes only, because the above DISC BRAKE PADS are NOT ORIGINAL but with these interchangeable.

CODICE	IMPIANTO	ASSE	SCALA	APPLICAZIONI
<b>R-225</b>	ATE	POSTERIORE	1:1	ALFAROMEIO
CODICE COMPONENTI	N°	L(mm)	SERIE	
*	*	*	2 PEZZI TIPO A	
*	*	*	1 PEZZO TIPO B	
F3027	1	450	1 PEZZO TIPO C	
CODICE ACCESSORI	N°	L(mm)	NOTE	
*	*			
*	*			
*	*			
*	*			



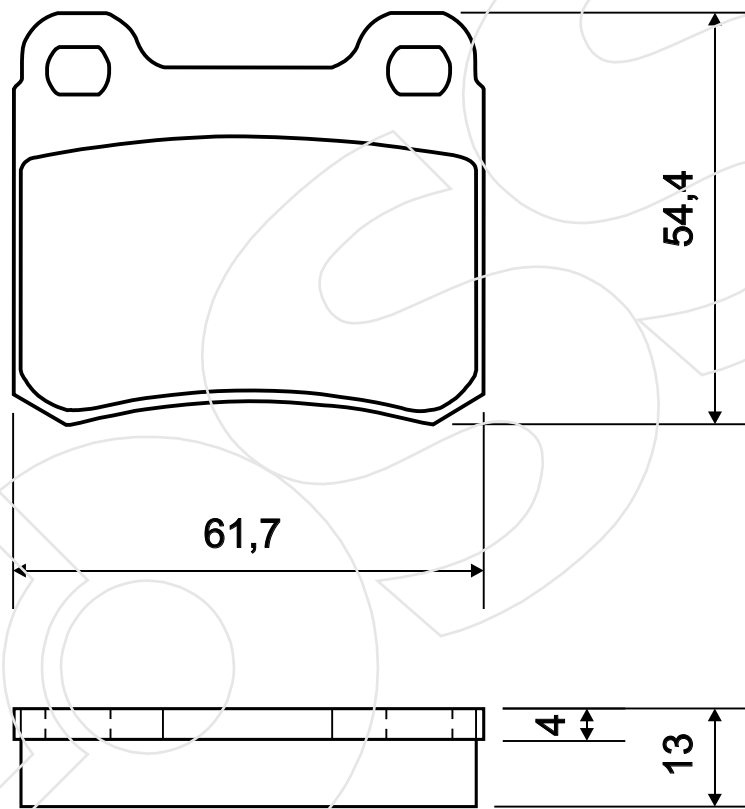
Reference in this Catalogue to other manufactures and to part numbers and other descriptions are for identification purposes only, because the above DISC BRAKE PADS are NOT ORIGINAL but with these interchangeable.

CODICE	IMPIANTO	ASSE	SCALA	APPLICAZIONI
<b>R-226</b>	GIRLING	ANTERIORE	1:1	MERCEDES SAAB
CODICE COMPONENTI	N°	L(mm)	SERIE	
M0015+P1004	4+4	*	4 PEZZI	
*	*	*		
*	*	*		
*	*	*		
OPTIONAL	N°	L(mm)	NOTE	
F3086	2	200	*	
*	*	*	*	
*	*	*	*	
*	*	*	*	



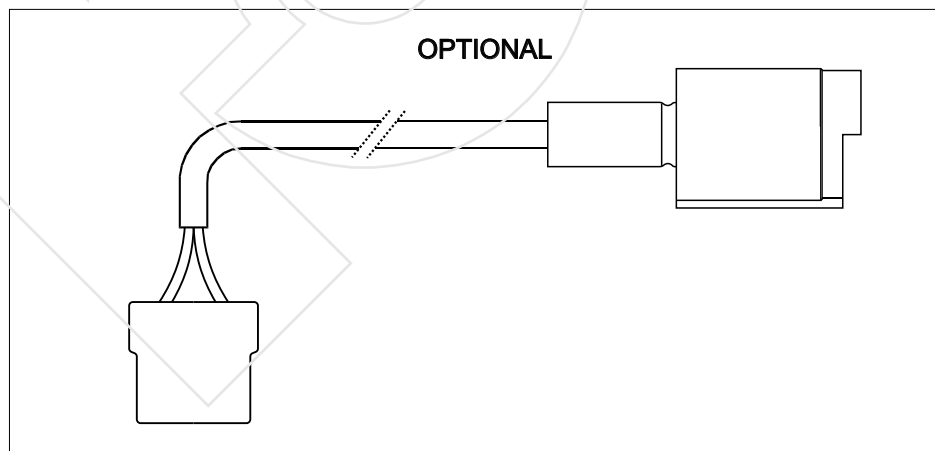
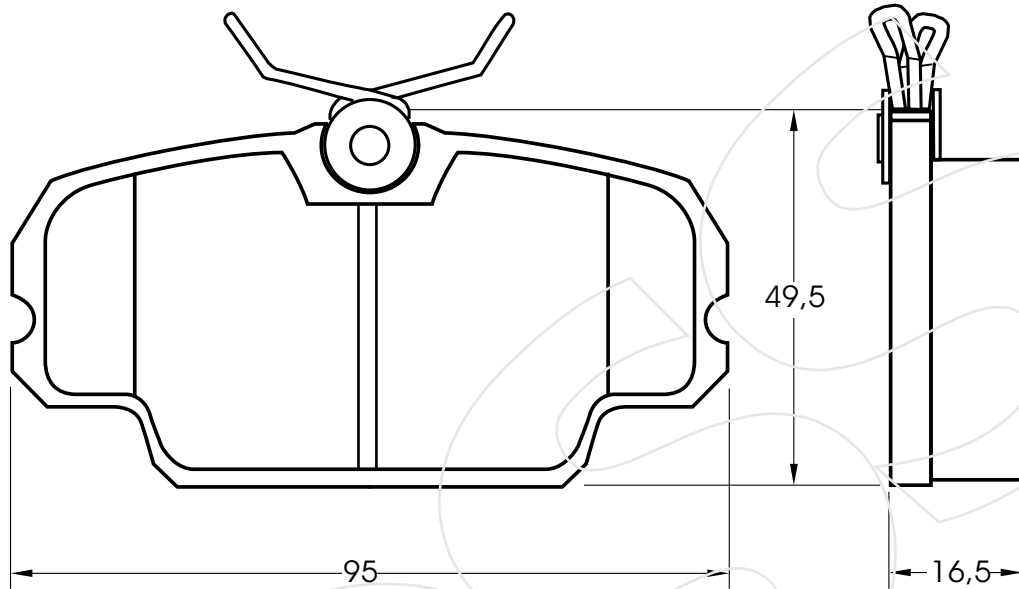
Reference in this Catalogue to other manufactures and to part numbers and other descriptions are for identification purposes only, because the above DISC BRAKE PADS are NOT ORIGINAL but with these interchangeable.

CODICE	IMPIANTO	ASSE	SCALA	APPLICAZIONI
<b>R-227</b>	ATE	POSTERIORE	1:1	MERCEDES
CODICE COMPONENTI	N°	L(mm)	SERIE	
*	*	*	4 PEZZI	
*	*		*	
*	*		*	
CODICE ACCESSORI	N°	L(mm)	NOTE	
*	*		*	
*	*		*	
*	*		*	
*	*		*	



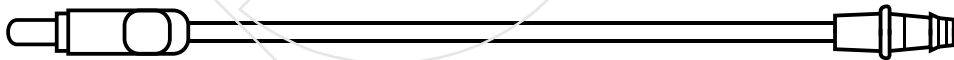
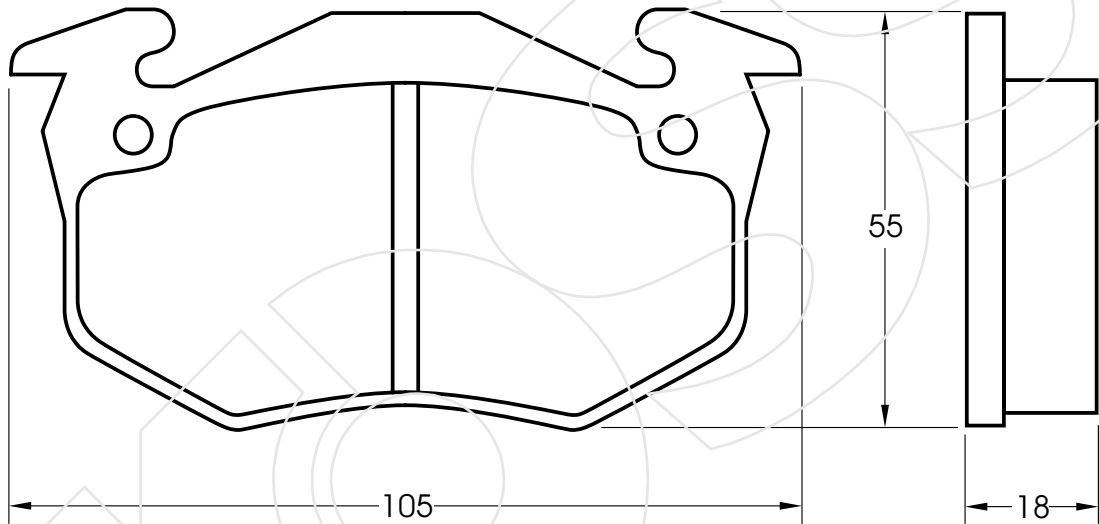
Reference in this Catalogue to other manufactures and to part numbers and other descriptions are for identification purposes only, because the above DISC BRAKE PADS are NOT ORIGINAL but with these interchangeable.

CODICE	IMPIANTO		ASSE	SCALA	APPLICAZIONI
<b>R-228</b>	GIRLING		ANTERIORE	1:1	BMW
CODICE COMPONENTI	N°	L(mm)	SERIE		
M0015+P1004	4+4	*	4 PEZZI		
*	*	*	*		
*	*	*	*		
*	*	*	*		
OPTIONAL	N°	L(mm)	NOTE		
F3081	2	240	*		
*	*	*	*		
*	*	*	*		
*	*	*	*		



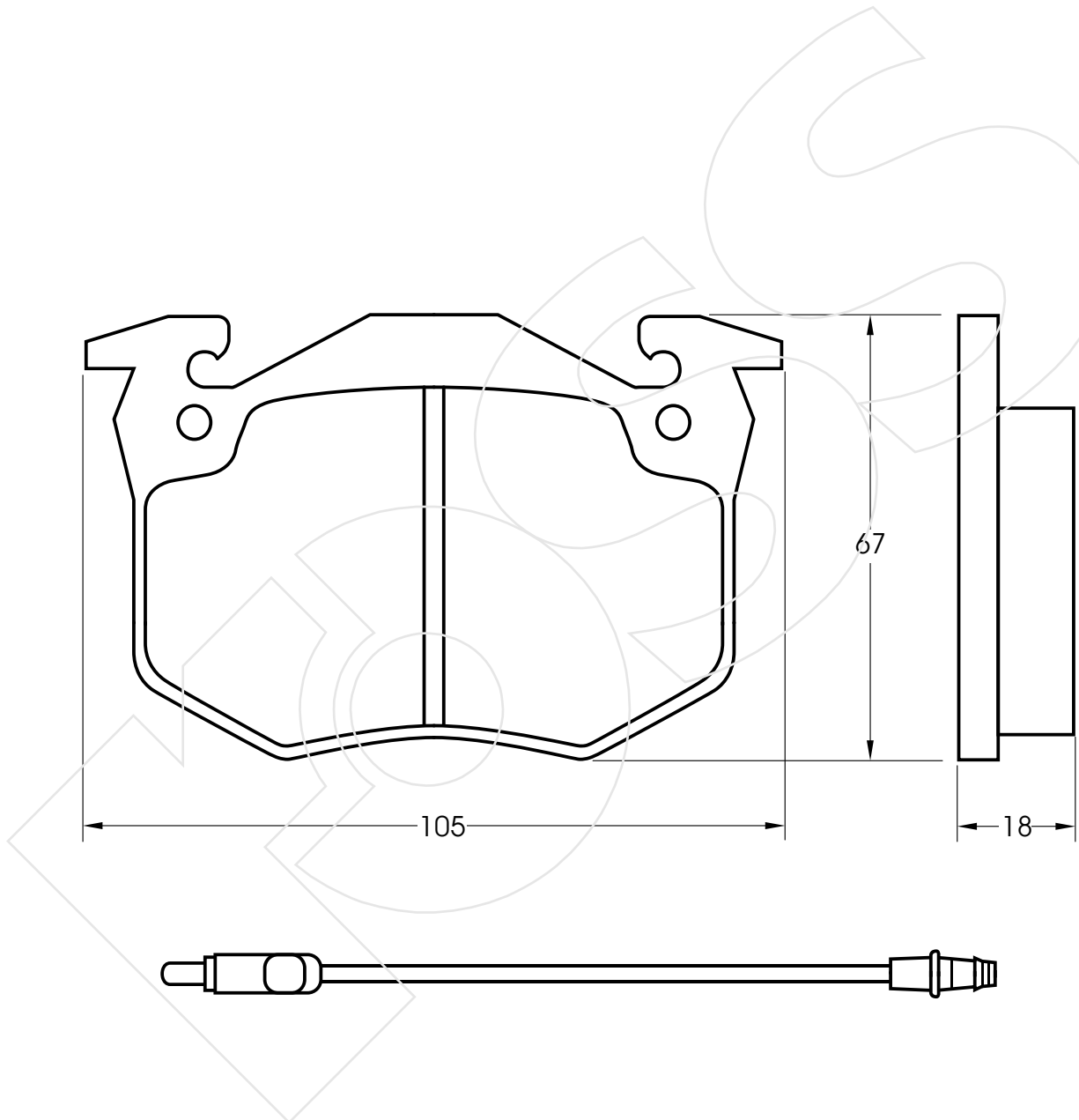
Reference in this Catalogue to other manufactures and to part numbers and other descriptions are for identification purposes only, because the above DISC BRAKE PADS are NOT ORIGINAL but with these interchangeable.

CODICE	IMPIANTO		ASSE	SCALA	APPLICAZIONI
<b>R-229</b>	BENDIX		ANTERIORE	1:1	PEUGEOT RENAULT
CODICE COMPONENTI	N°	L(mm)	SERIE		
*	*	*	4 PEZZI		
F3049	2	130			
*	*	*			
*	*	*			
CODICE ACCESSORI	N°	L(mm)	NOTE		
*	*	*			
*	*	*			
*	*	*			
*	*	*			



Reference in this Catalogue to other manufactures and to part numbers and other descriptions are for identification purposes only, because the above DISC BRAKE PADS are NOT ORIGINAL but with these interchangeable.

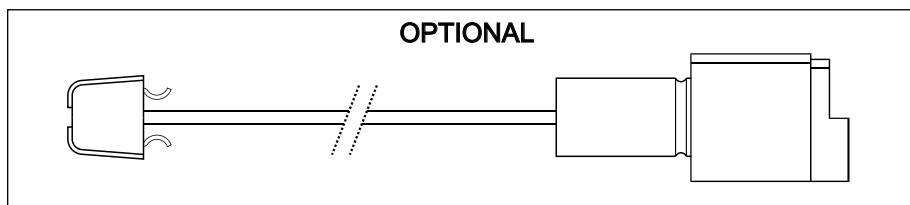
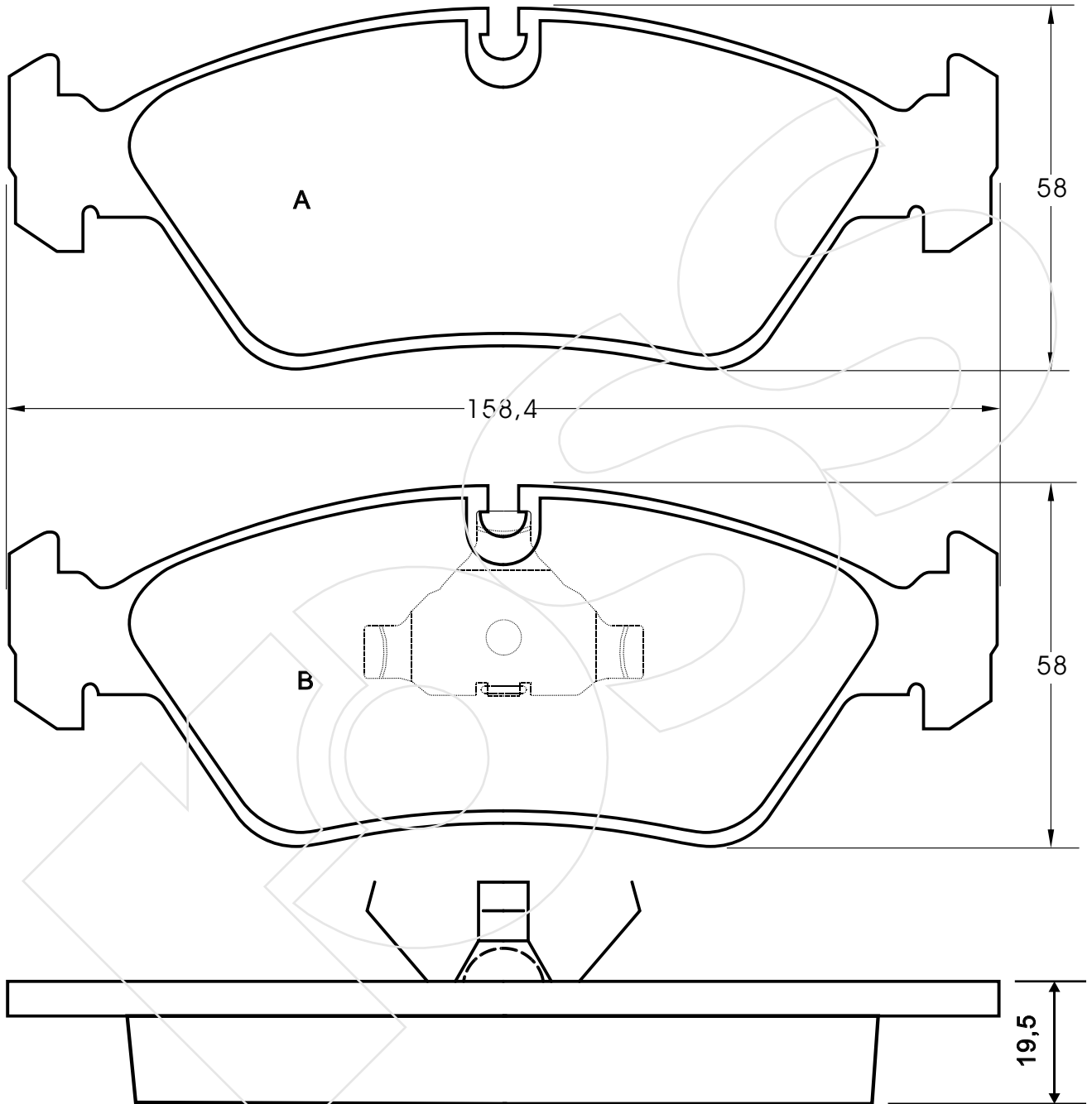
CODICE	IMPIANTO		ASSE	SCALA	APPLICAZIONI
<b>R-230</b>	BENDIX		ANTERIORE	1:1	PEUGEOT RENAULT
CODICE COMPONENTI	N°	L(mm)	SERIE		
*	*	*	4 PEZZI		
F3049	2	130			
*	*	*			
*	*	*			
CODICE ACCESSORI	N°	L(mm)	NOTE		
*	*	*			
*	*	*			
*	*	*			



Reference in this Catalogue to other manufactures and to part numbers and other descriptions are for identification purposes only, because the above DISC BRAKE PADS are NOT ORIGINAL but with these interchangeable.

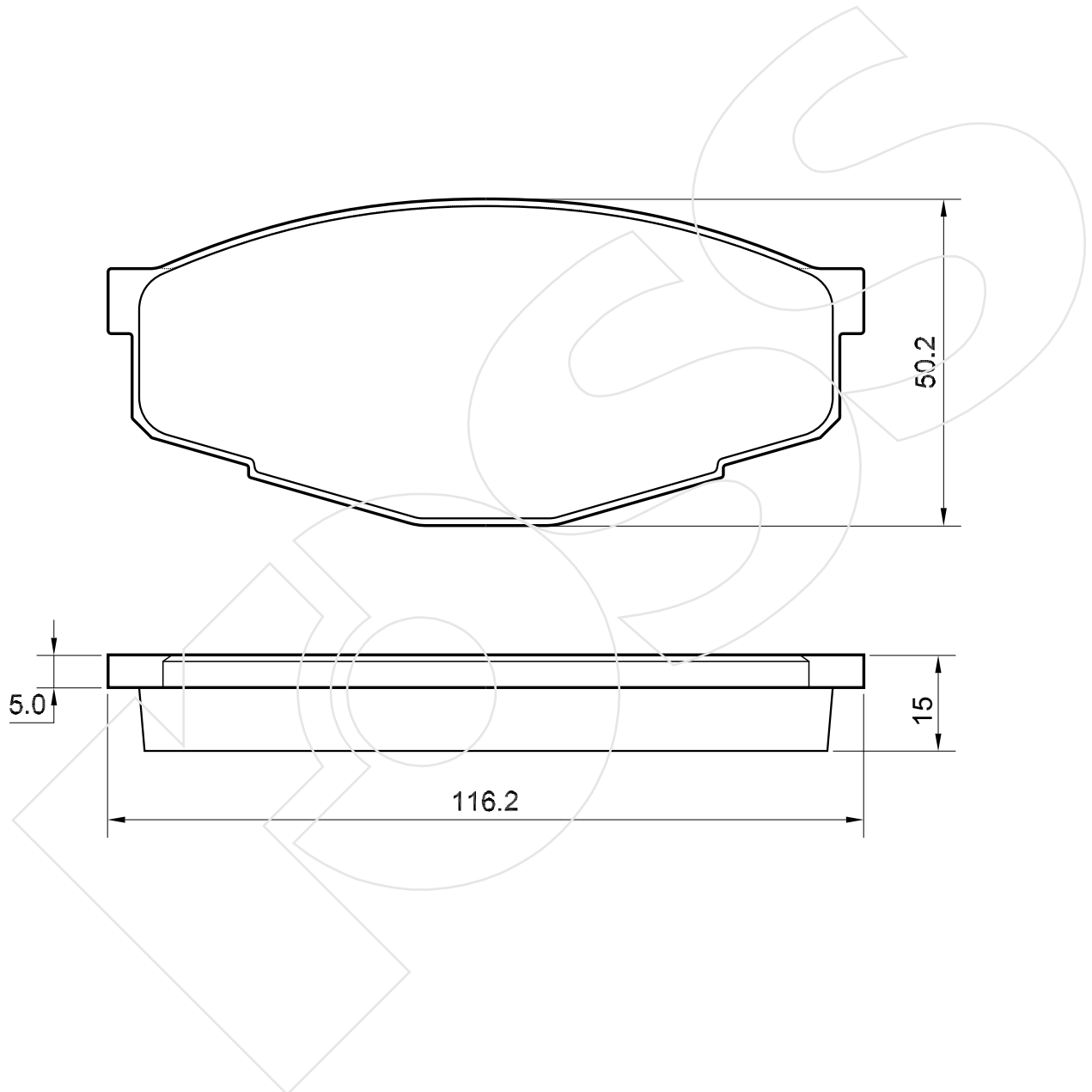


CODICE	IMPIANTO		ASSE	SCALA	APPLICAZIONI
<b>R-231</b>	ATE		ANTERIORE	1:1	BMW
CODICE COMPONENTI	N°	L(mm)	SERIE		
*	*	*	2 PEZZI TIPO A		
M0011+P1002	2+2	*	2 PEZZI TIPO B		
*	*	*	*		
*	*	*	*		
OPTIONAL	N°	L(mm)	NOTE		
F3087	2	260	*		
*	*	*	*		
*	*	*	*		
*	*	*	*		



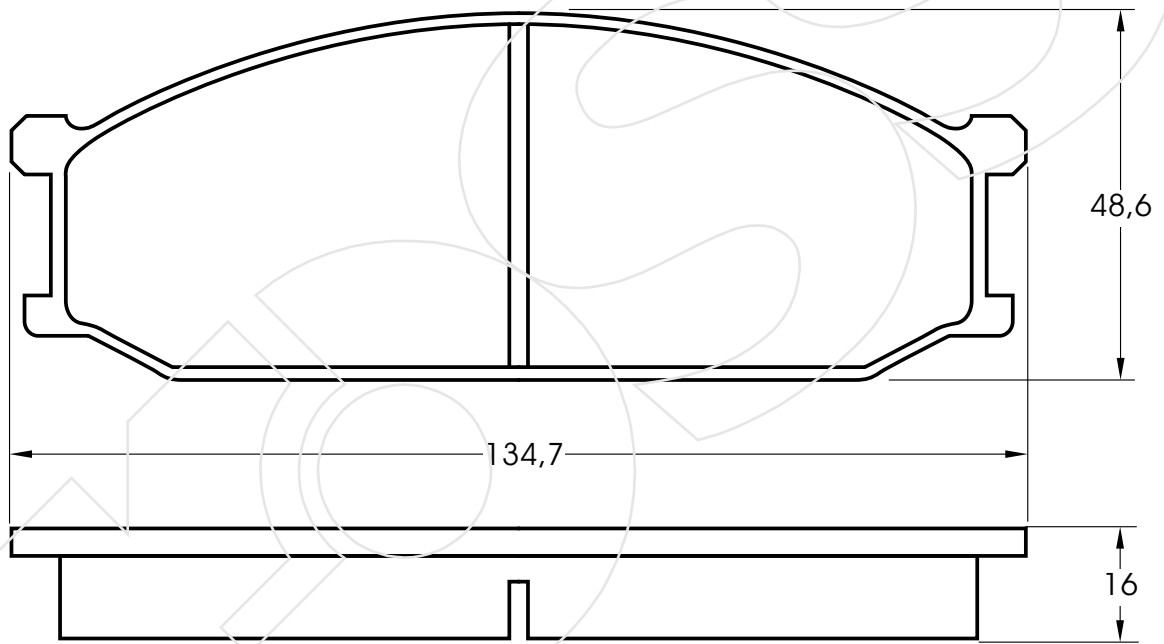
Reference in this Catalogue to other manufactures and to part numbers and other descriptions are for identification purposes only, because the above DISC BRAKE PADS are NOT ORIGINAL but with these interchangeable.

CODICE	IMPIANTO		ASSE	SCALA	APPLICAZIONI
<b>R-232</b>	SUMITOMO		ANTERIORE	1:1	NISSAN-DATSUN TOYOTA
CODICE COMPONENTI	N°	L(mm)	SERIE		
*	*	*	4 PEZZI		
*	*	*			
*	*	*			
*	*	*			
CODICE ACCESSORI	N°	L(mm)	NOTE		
*	*	*			
*	*	*			
*	*	*			



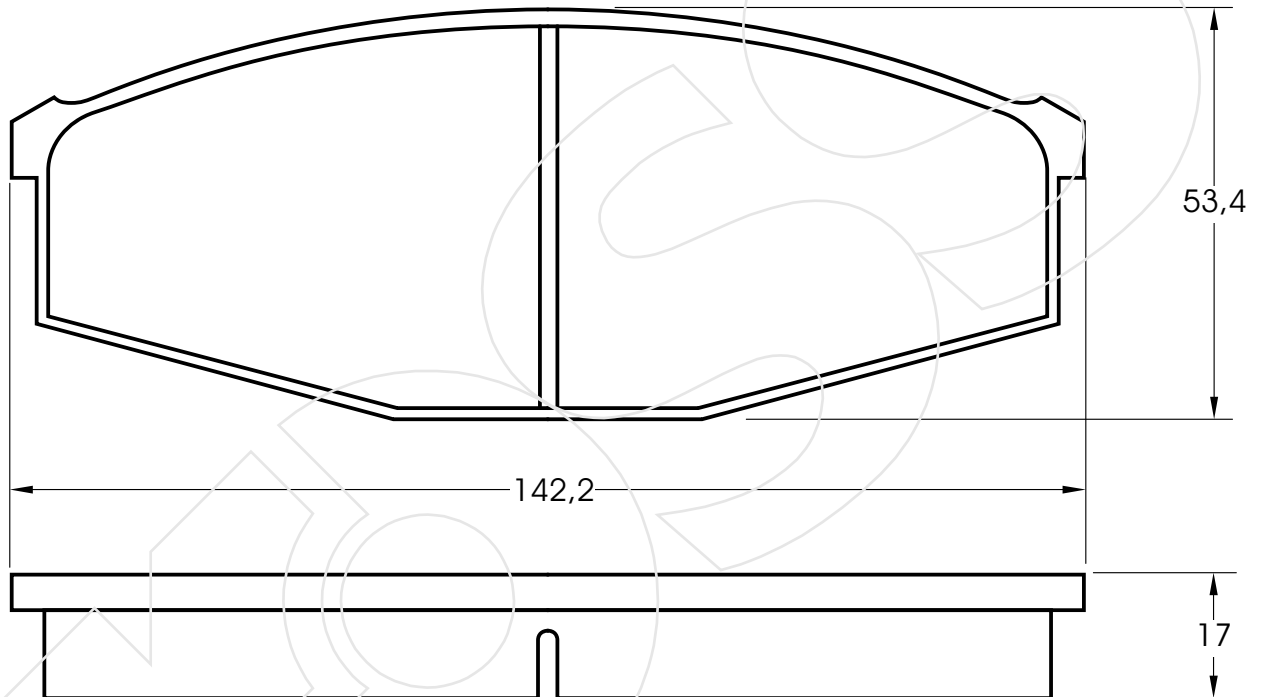
Reference in this Catalogue to other manufactures and to part numbers and other descriptions are for identification purposes only, because the above DISC BRAKE PADS are NOT ORIGINAL but with these interchangeable.

CODICE	IMPIANTO		ASSE	SCALA	APPLICAZIONI
<b>R-233</b>	SUMITOMO		ANTERIORE	1:1	MITSUBISHI
CODICE COMPONENTI	N°	L(mm)	SERIE		
*	*	*	4 PEZZI		
*	*	*			
*	*	*			
*	*	*			
CODICE ACCESSORI	N°	L(mm)	NOTE		
*	*	*			
*	*	*			
*	*	*			
*	*	*			



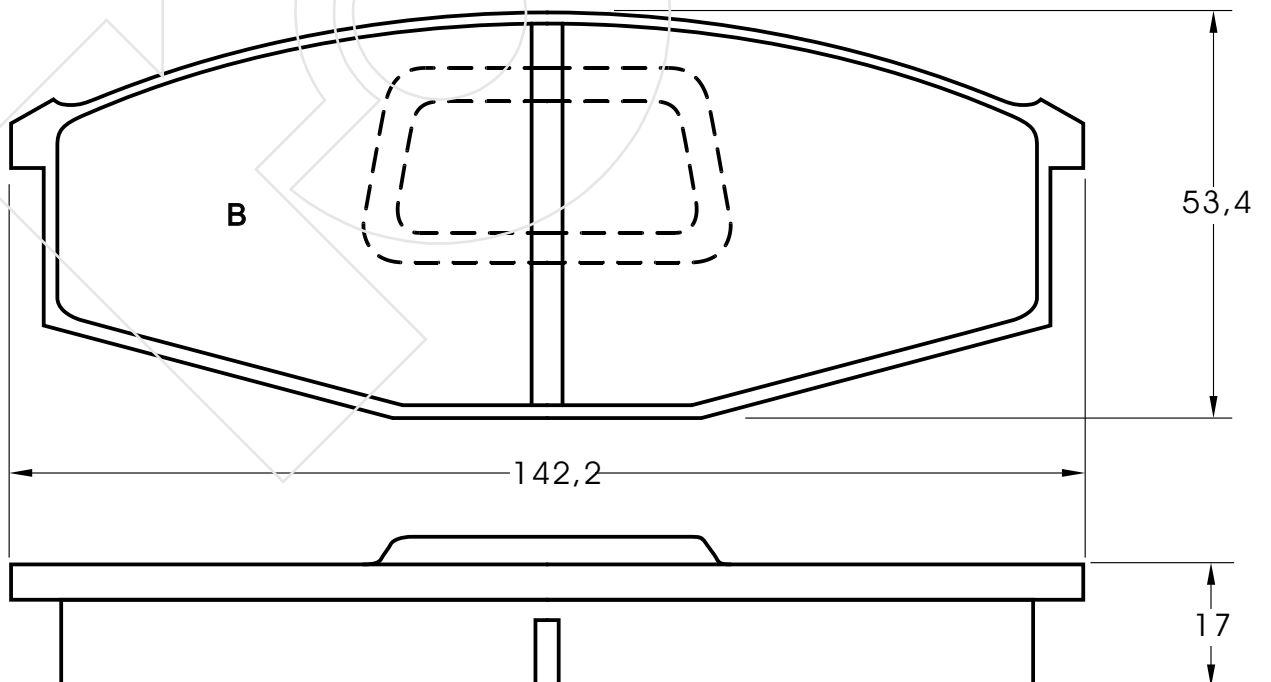
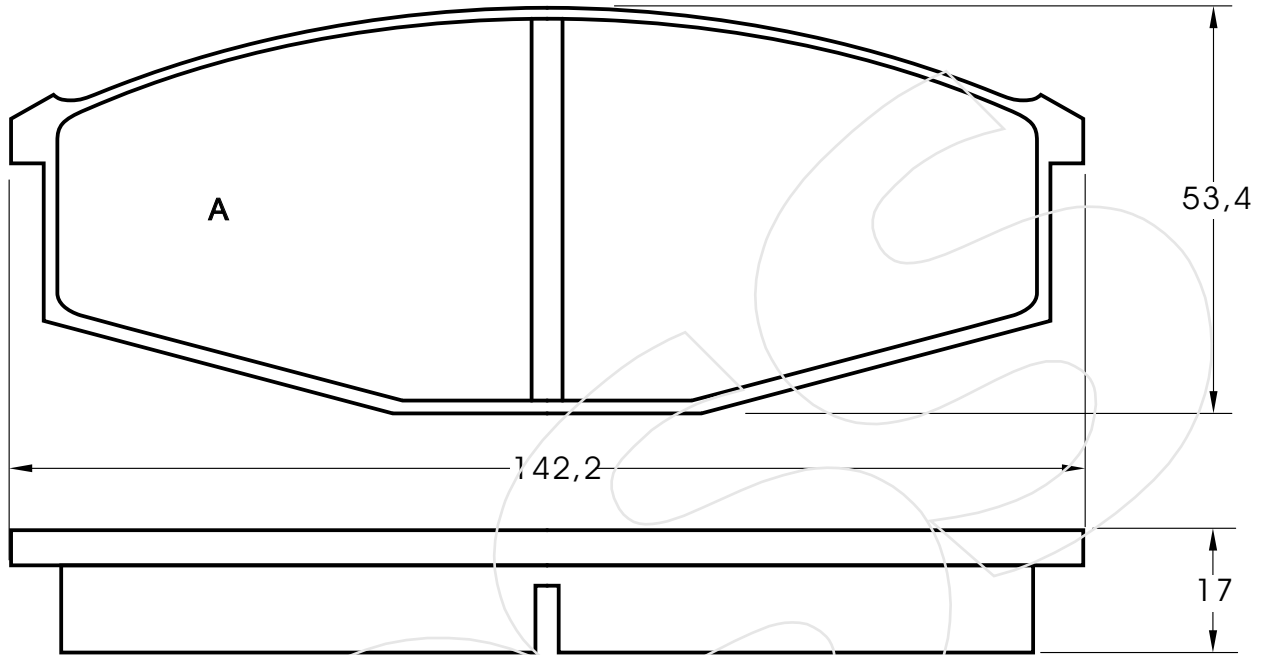
Reference in this Catalogue to other manufactures and to part numbers and other descriptions are for identification purposes only, because the above DISC BRAKE PADS are NOT ORIGINAL but with these interchangeable.

CODICE	IMPIANTO		ASSE	SCALA	APPLICAZIONI
<b>R-234</b>	SUMITOMO		ANTERIORE	1:1	NISSAN-DATSUN
CODICE COMPONENTI	N°	L(mm)	SERIE		
*	*	*	4 PEZZI		
*	*	*			
*	*	*			
*	*	*			
CODICE ACCESSORI	N°	L(mm)	NOTE		
*	*	*			
*	*	*			
*	*	*			



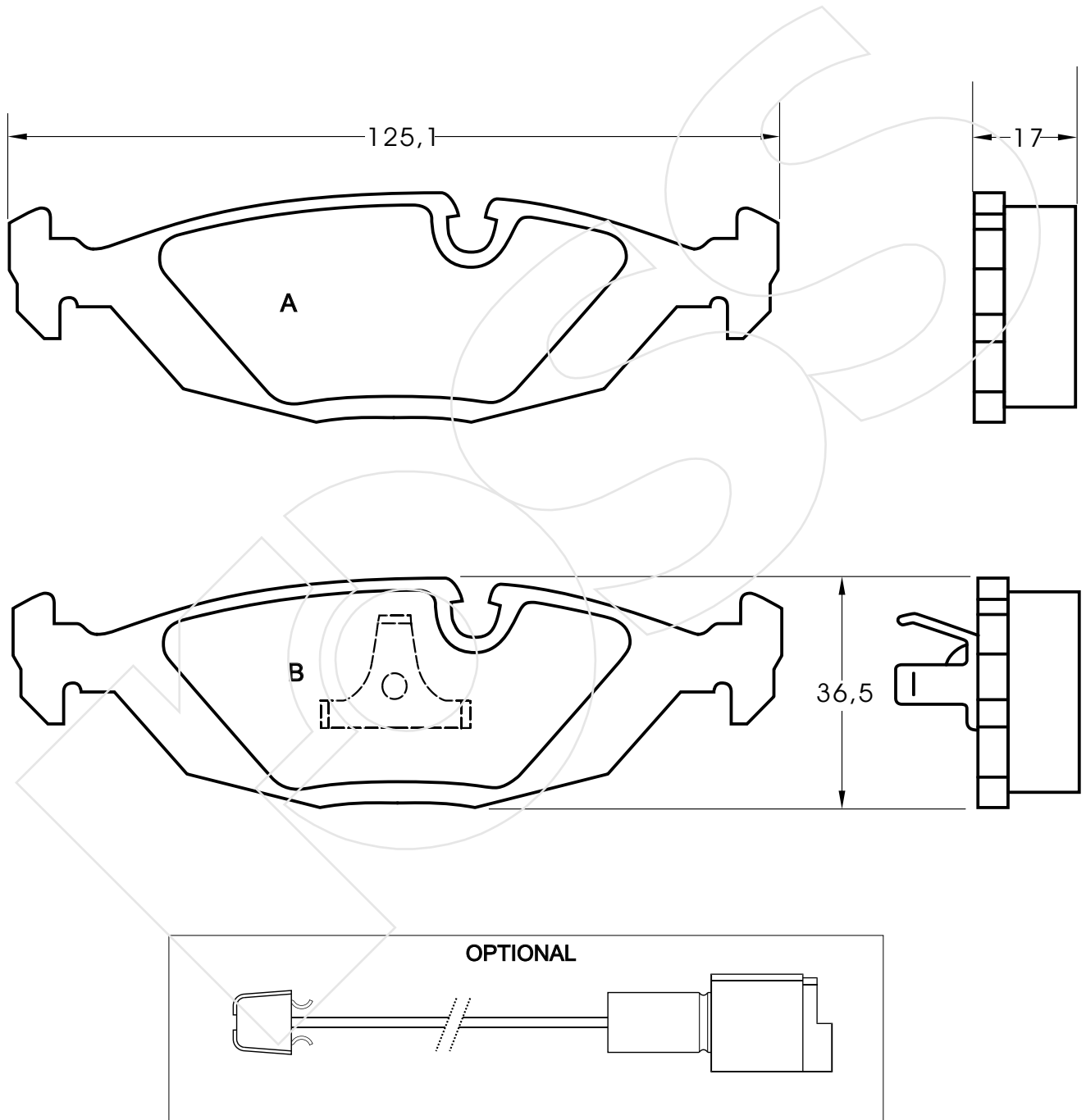
Reference in this Catalogue to other manufactures and to part numbers and other descriptions are for identification purposes only, because the above DISC BRAKE PADS are NOT ORIGINAL but with these interchangeable.

CODICE	IMPIANTO	ASSE	SCALA	APPLICAZIONI
<b>R-235</b>	SUMITOMO	ANTERIORE	1:1	NISSAN-DATSUN
CODICE COMPONENTI	N°	L(mm)	SERIE	
*	*	*	2 PEZZI TIPO A	
*	*	*	2 PEZZI TIPO B	
*	*			
CODICE ACCESSORI	N°	L(mm)	NOTE	
*	*			
*	*			
*	*			
*	*			



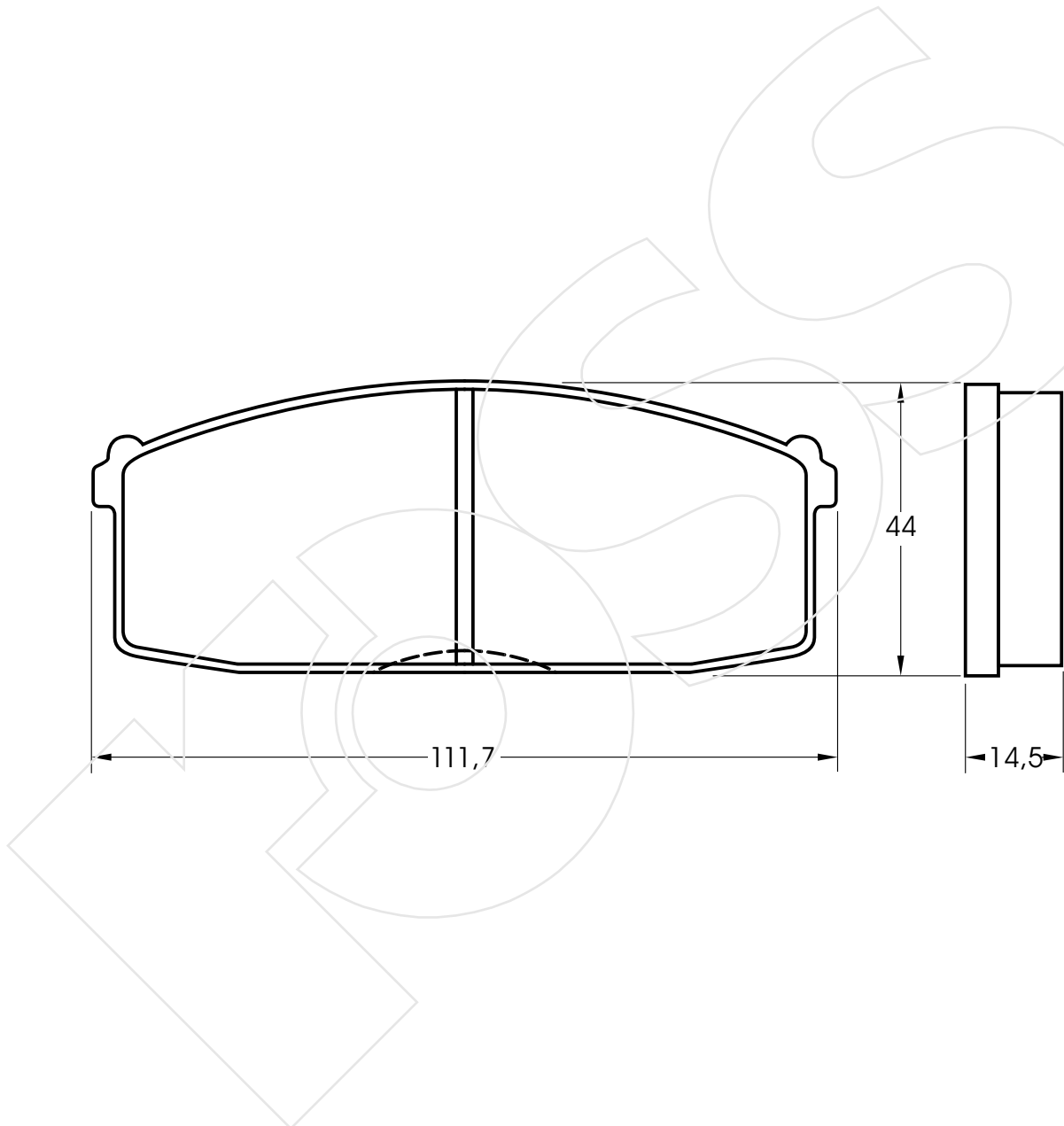
Reference in this Catalogue to other manufactures and to part numbers and other descriptions are for identification purposes only, because the above DISC BRAKE PADS are NOT ORIGINAL but with these interchangeable.

CODICE	IMPIANTO		ASSE	SCALA	APPLICAZIONI
<b>R-236</b>	ATE		POSTERIORE	1:1	BMW
CODICE COMPONENTI	N°	L(mm)	SERIE		
*	*	*	2 PEZZI TIPO A		
M0016+P1002	2+2	*	2 PEZZI TIPO B		
*	*				
OPTIONAL	N°	L(mm)	NOTE		
F3080	2	160			
*	*				
*	*				
*	*				



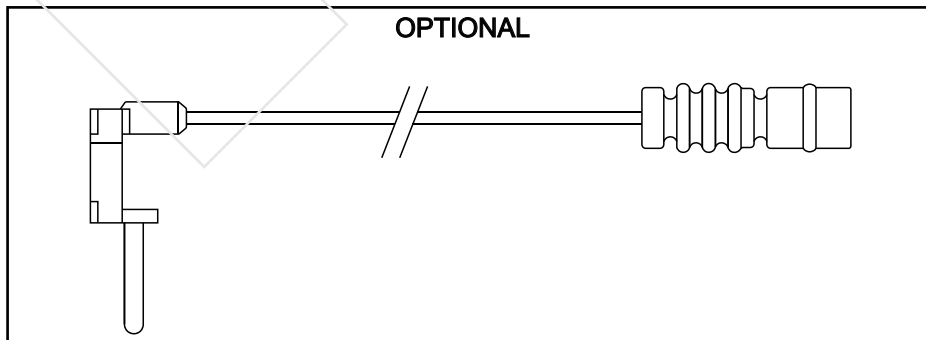
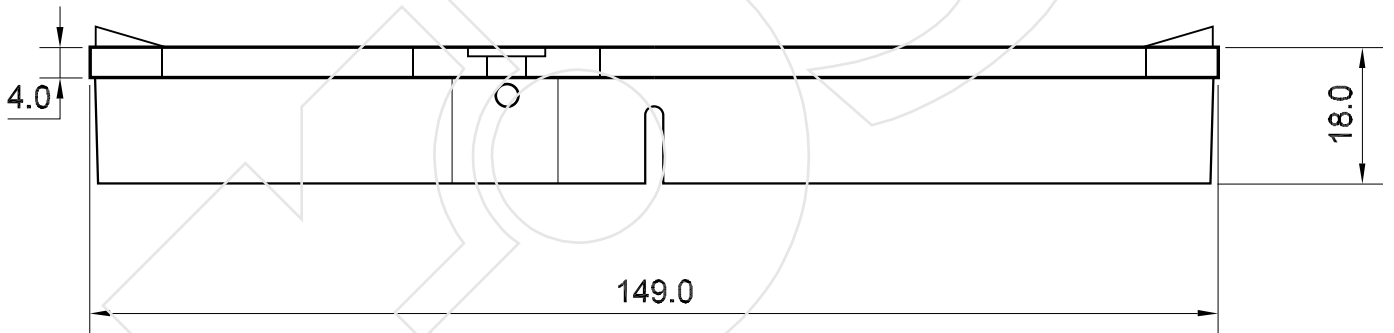
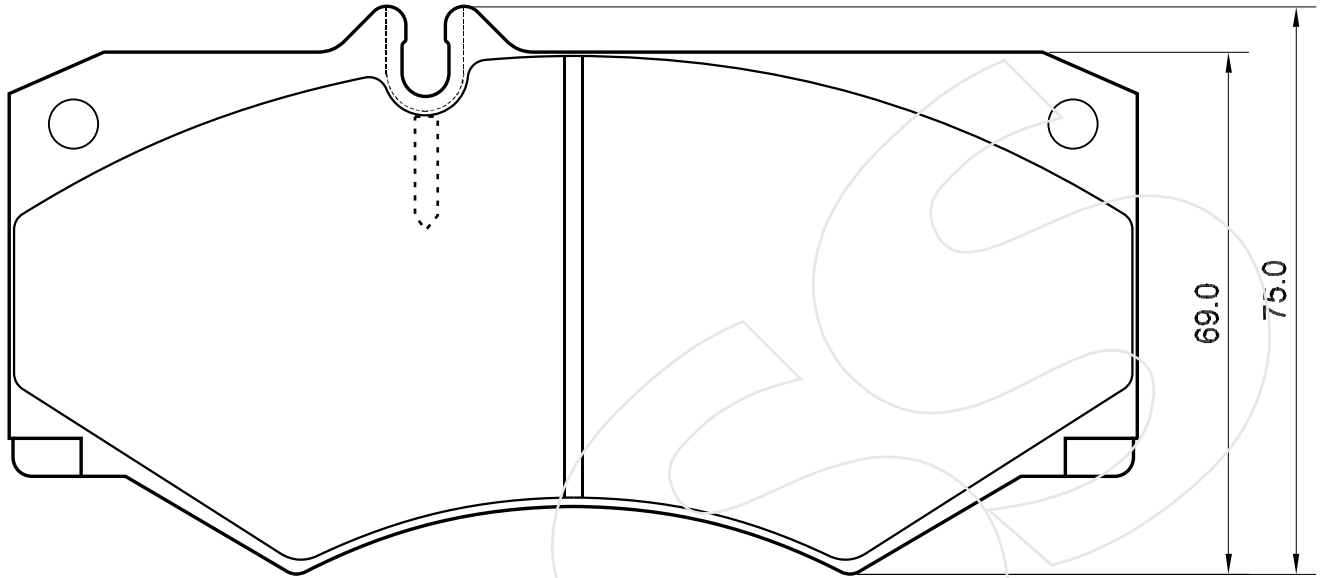
Reference in this Catalogue to other manufactures and to part numbers and other descriptions are for identification purposes only, because the above DISC BRAKE PADS are NOT ORIGINAL but with these interchangeable.

CODICE	IMPIANTO	ASSE	SCALA	APPLICAZIONI
<b>R-237</b>	AKEBONO	ANTERIORE	1:1	NISSAN-DATSUN
CODICE COMPONENTI	N°	L(mm)	SERIE	
*	*	*	4 PEZZI	
*	*	*		
*	*	*		
*	*	*		
CODICE ACCESSORI	N°	L(mm)	NOTE	
*	*	*		
*	*	*		
*	*	*		
*	*	*		



Reference in this Catalogue to other manufactures and to part numbers and other descriptions are for identification purposes only, because the above DISC BRAKE PADS are NOT ORIGINAL but with these interchangeable.

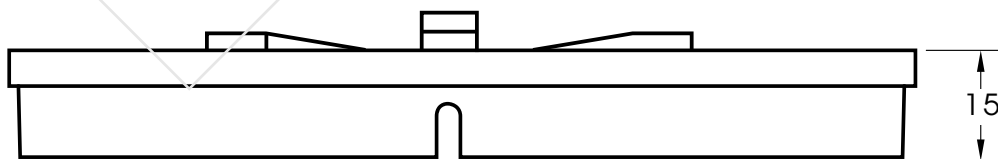
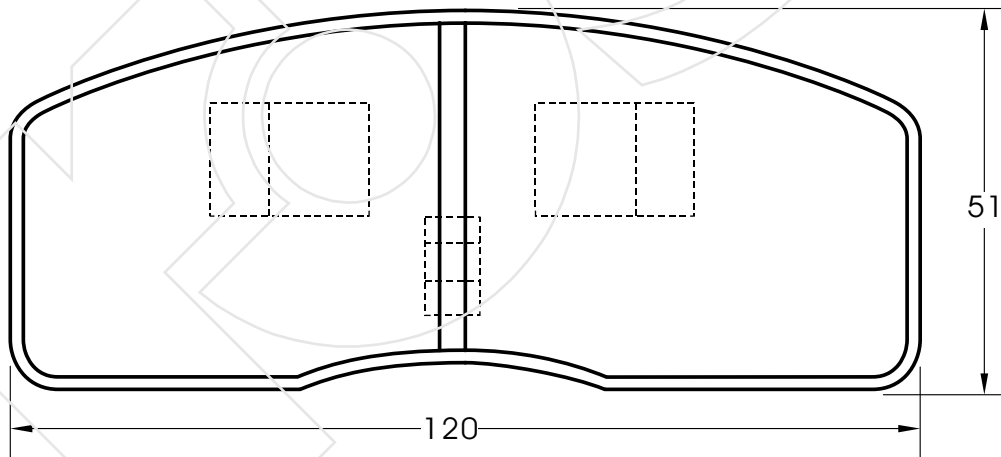
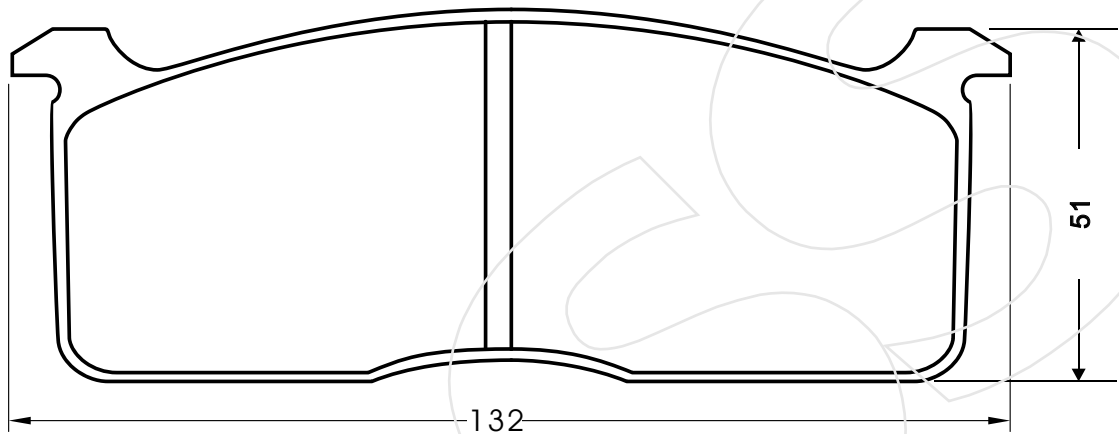
CODICE	IMPIANTO		ASSE	SCALA	APPLICAZIONI
<b>R-238</b>	PERROT		ANTERIORE	100%	MERCEDES VOLKSWAGEN
CODICE COMPONENTI	N°	L(mm)	SERIE		
*	*	*	4 PEZZI		
*	*	*			
*	*	*			
*	*	*			
OPTIONAL	N°	L(mm)	NOTE		
F3082	2	130			
*	*	*			
*	*	*			
*	*	*			



Reference in this Catalogue to other manufactures and to part numbers and other descriptions are for identification purposes only, because the above DISC BRAKE PADS are NOT ORIGINAL but with these interchangeable.

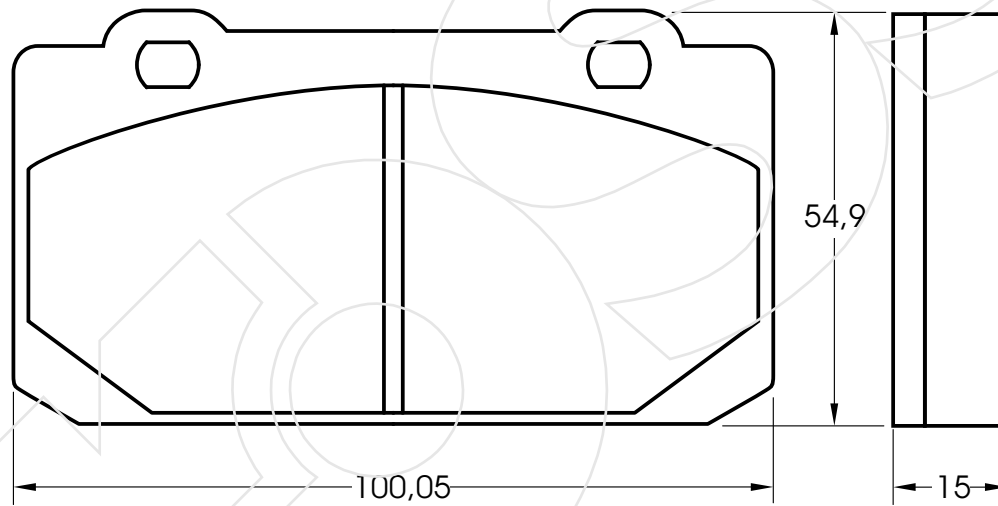


CODICE	IMPIANTO	ASSE	SCALA	APPLICAZIONI
<b>R-239</b>	AKEBONO	ANTERIORE	1:1	TOYOTA
CODICE COMPONENTI	N°	L(mm)	SERIE	
*	*	*	2 PEZZI TIPO A	
*	*	*	2 PEZZI TIPO B	
*	*			
CODICE ACCESSORI	N°	L(mm)	NOTE	
*	*			
*	*			
*	*			
*	*			



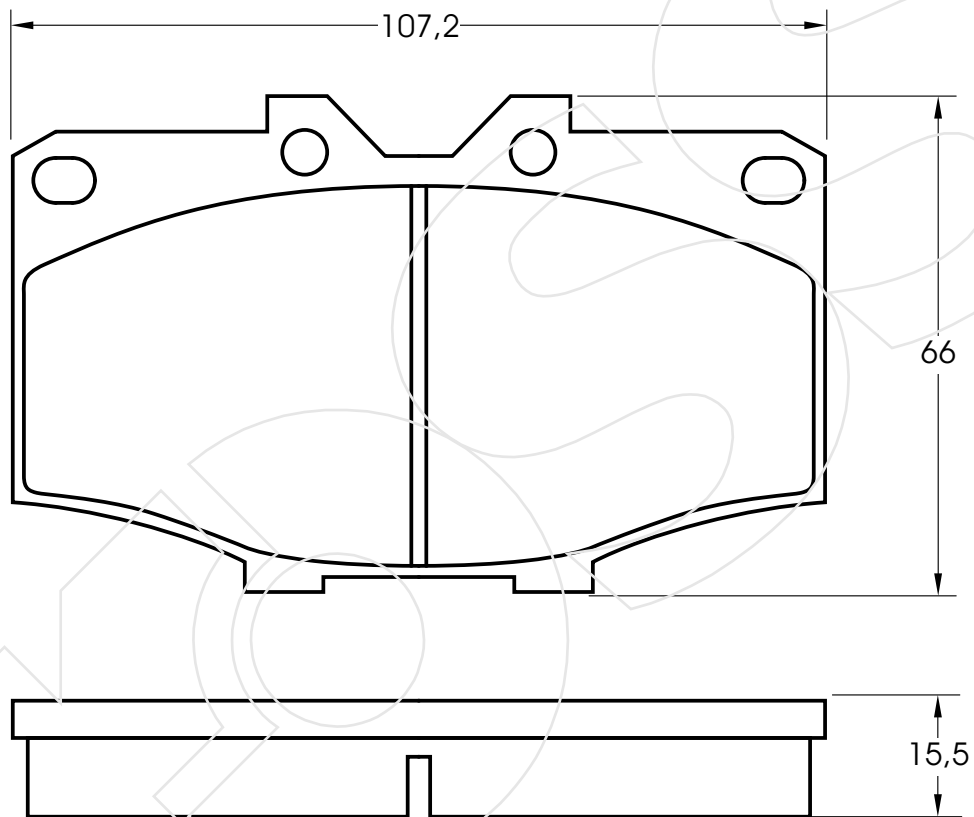
Reference in this Catalogue to other manufactures and to part numbers and other descriptions are for identification purposes only, because the above DISC BRAKE PADS are NOT ORIGINAL but with these interchangeable.

CODICE	IMPIANTO		ASSE	SCALA	APPLICAZIONI
<b>R-240</b>	ATE		ANTERIORE	1:1	ALFAROMEIO
CODICE COMPONENTI	N°	L(mm)	SERIE		
*	*	*	4 PEZZI		
*	*	*			
*	*	*			
*	*	*			
CODICE ACCESSORI	N°	L(mm)	NOTE		
*	*	*			
*	*	*			
*	*	*			
*	*	*			



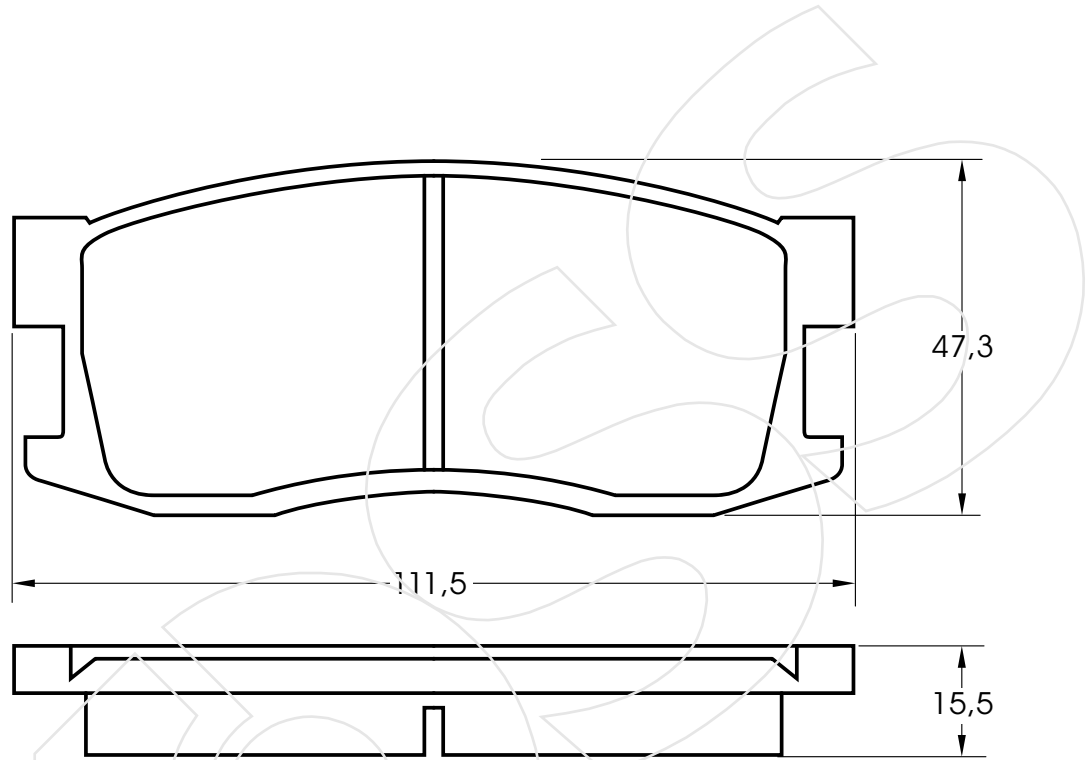
Reference in this Catalogue to other manufactures and to part numbers and other descriptions are for identification purposes only, because the above DISC BRAKE PADS are NOT ORIGINAL but with these interchangeable.

CODICE	IMPIANTO	ASSE	SCALA	APPLICAZIONI
<b>R-242</b>	SUMITOMO	ANTERIORE	1:1	TOYOTA VOLKSWAGEN
CODICE COMPONENTI	N°	L(mm)	SERIE	
*	*	*	4 PEZZI	
*	*	*		
*	*	*		
*	*	*		
CODICE ACCESSORI	N°	L(mm)	NOTE	
*	*	*		
*	*	*		
*	*	*		
*	*	*		



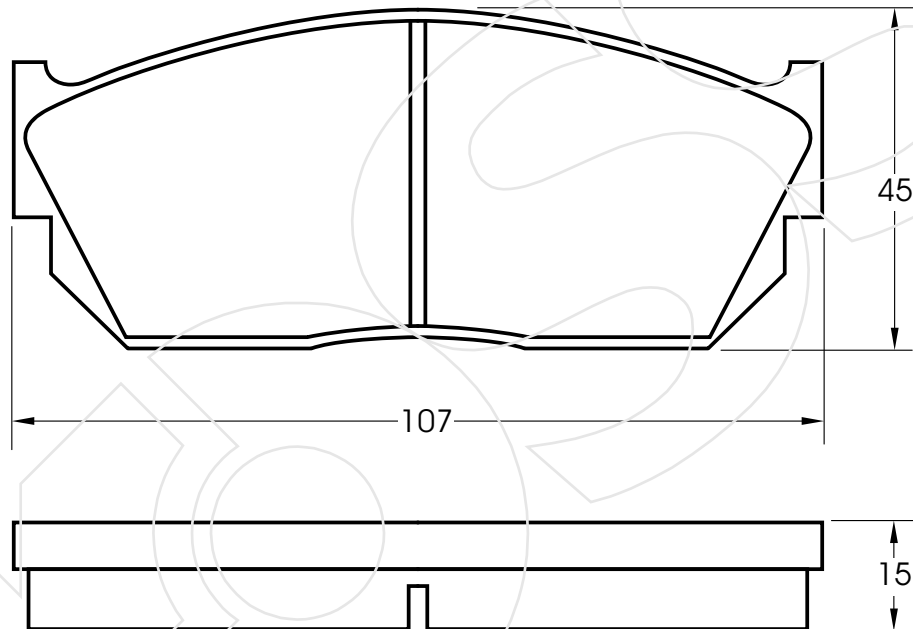
Reference in this Catalogue to other manufactures and to part numbers and other descriptions are for identification purposes only, because the above DISC BRAKE PADS are NOT ORIGINAL but with these interchangeable.

CODICE	IMPIANTO	ASSE	SCALA	APPLICAZIONI
<b>R-244</b>	SUMITOMO	ANTERIORE	1:1	HONDA
CODICE COMPONENTI	N°	L(mm)	SERIE	
*	*	*	4 PEZZI	
*	*	*		
*	*	*		
*	*	*		
CODICE ACCESSORI	N°	L(mm)	NOTE	
*	*	*		
*	*	*		
*	*	*		
*	*	*		



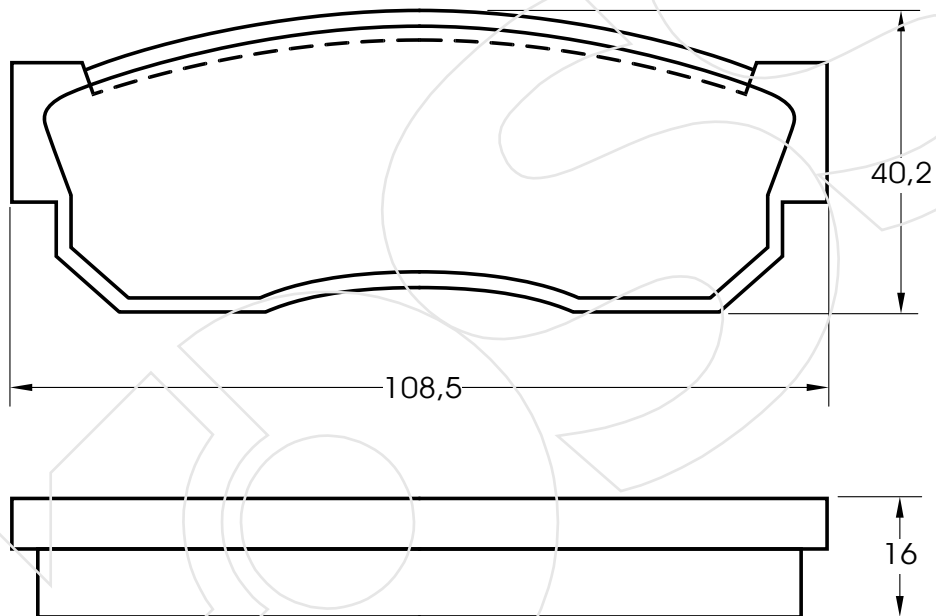
Reference in this Catalogue to other manufactures and to part numbers and other descriptions are for identification purposes only, because the above DISC BRAKE PADS are NOT ORIGINAL but with these interchangeable.

CODICE	IMPIANTO	ASSE	SCALA	APPLICAZIONI
<b>R-245</b>	SUMITOMO	ANTERIORE	1:1	HONDA
CODICE COMPONENTI	N°	L(mm)	SERIE	
*	*	*	4 PEZZI	
*	*	*		
*	*	*		
*	*	*		
CODICE ACCESSORI	N°	L(mm)	NOTE	
*	*	*		
*	*	*		
*	*	*		
*	*	*		



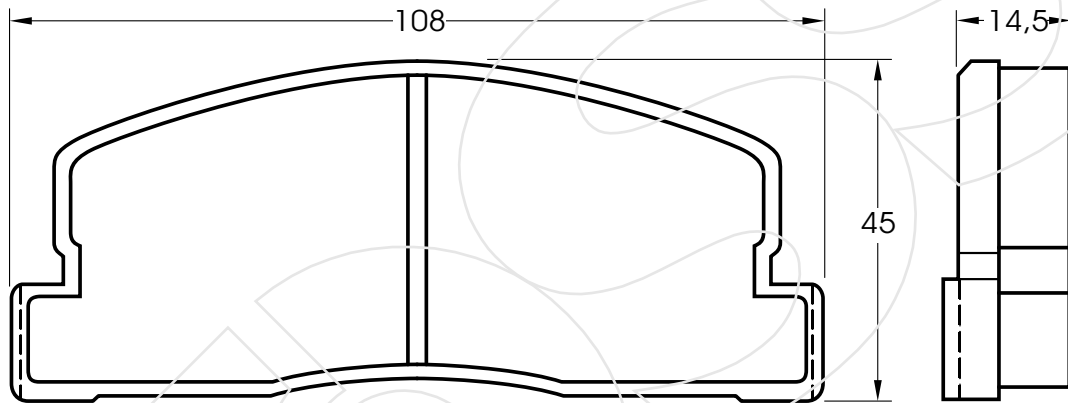
Reference in this Catalogue to other manufactures and to part numbers and other descriptions are for identification purposes only, because the above DISC BRAKE PADS are NOT ORIGINAL but with these interchangeable.

CODICE	IMPIANTO	ASSE	SCALA	APPLICAZIONI
<b>R-246</b>	SUMITOMO	ANTERIORE	1:1	NISSAN-DATSUN SUBARU
CODICE COMPONENTI	N°	L(mm)	SERIE	
*	*	*	4 PEZZI	
*	*	*		
*	*	*		
*	*	*		
CODICE ACCESSORI	N°	L(mm)	NOTE	
*	*	*		
*	*	*		
*	*	*		



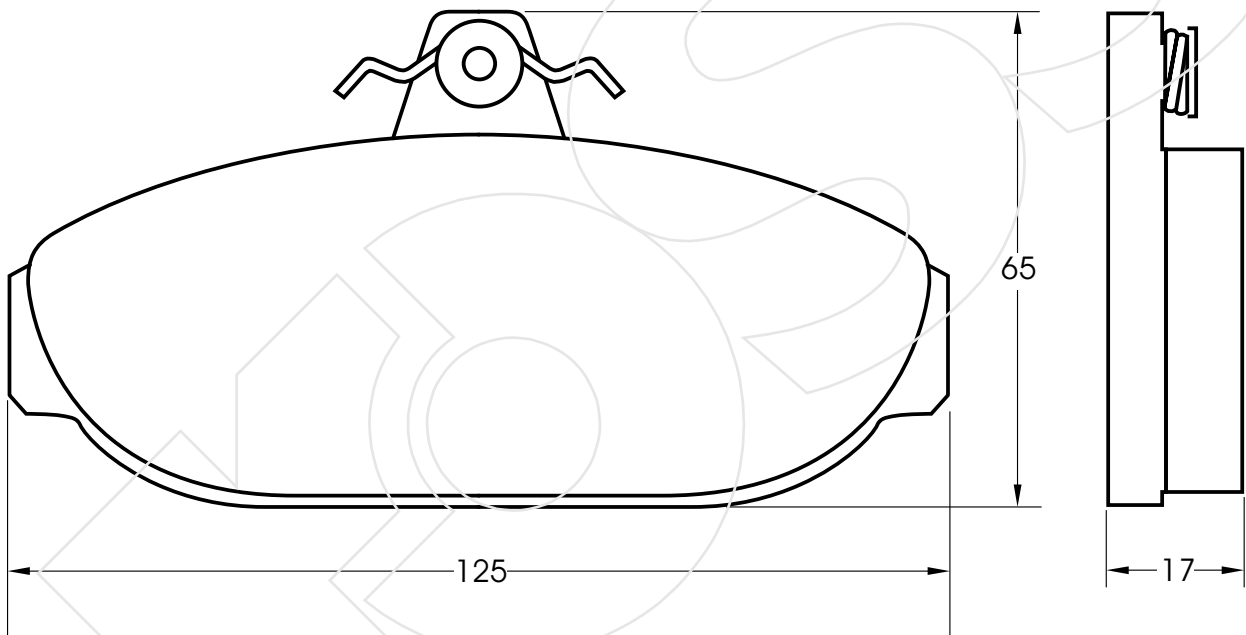
Reference in this Catalogue to other manufactures and to part numbers and other descriptions are for identification purposes only, because the above DISC BRAKE PADS are NOT ORIGINAL but with these interchangeable.

CODICE	IMPIANTO	ASSE	SCALA	APPLICAZIONI
<b>R-247</b>	AKEBONO	ANTERIORE	1:1	HONDA
CODICE COMPONENTI	N°	L(mm)	SERIE	
*	*	*	4 PEZZI	
*	*	*		
*	*	*		
*	*	*		
CODICE ACCESSORI	N°	L(mm)	NOTE	
*	*	*		
*	*	*		
*	*	*		
*	*	*		



Reference in this Catalogue to other manufactures and to part numbers and other descriptions are for identification purposes only, because the above DISC BRAKE PADS are NOT ORIGINAL but with these interchangeable.

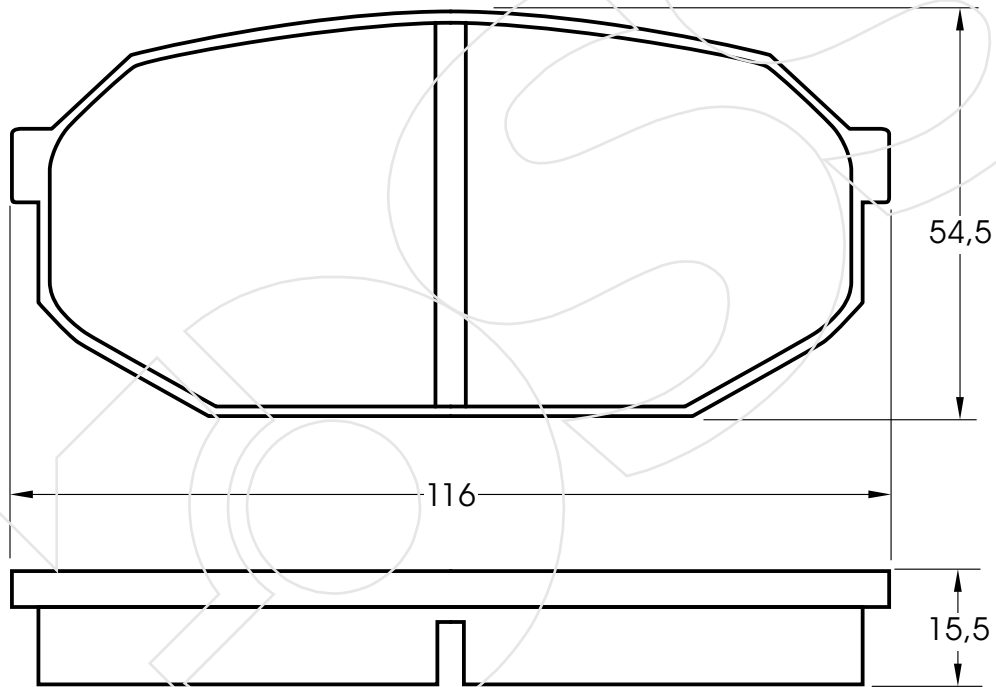
CODICE	IMPIANTO		ASSE	SCALA	APPLICAZIONI
<b>R-248</b>	GIRLING		ANTERIORE	1:1	VOLVO
CODICE COMPONENTI	N°	L(mm)	SERIE		
M0030+P1012	4+4	*	4 PEZZI		
*	*	*			
*	*	*			
*	*	*			
CODICE ACCESSORI	N°	L(mm)	NOTE		
*	*	*			
*	*	*			
*	*	*			
*	*	*			



Reference in this Catalogue to other manufactures and to part numbers and other descriptions are for identification purposes only, because the above DISC BRAKE PADS are NOT ORIGINAL but with these interchangeable.

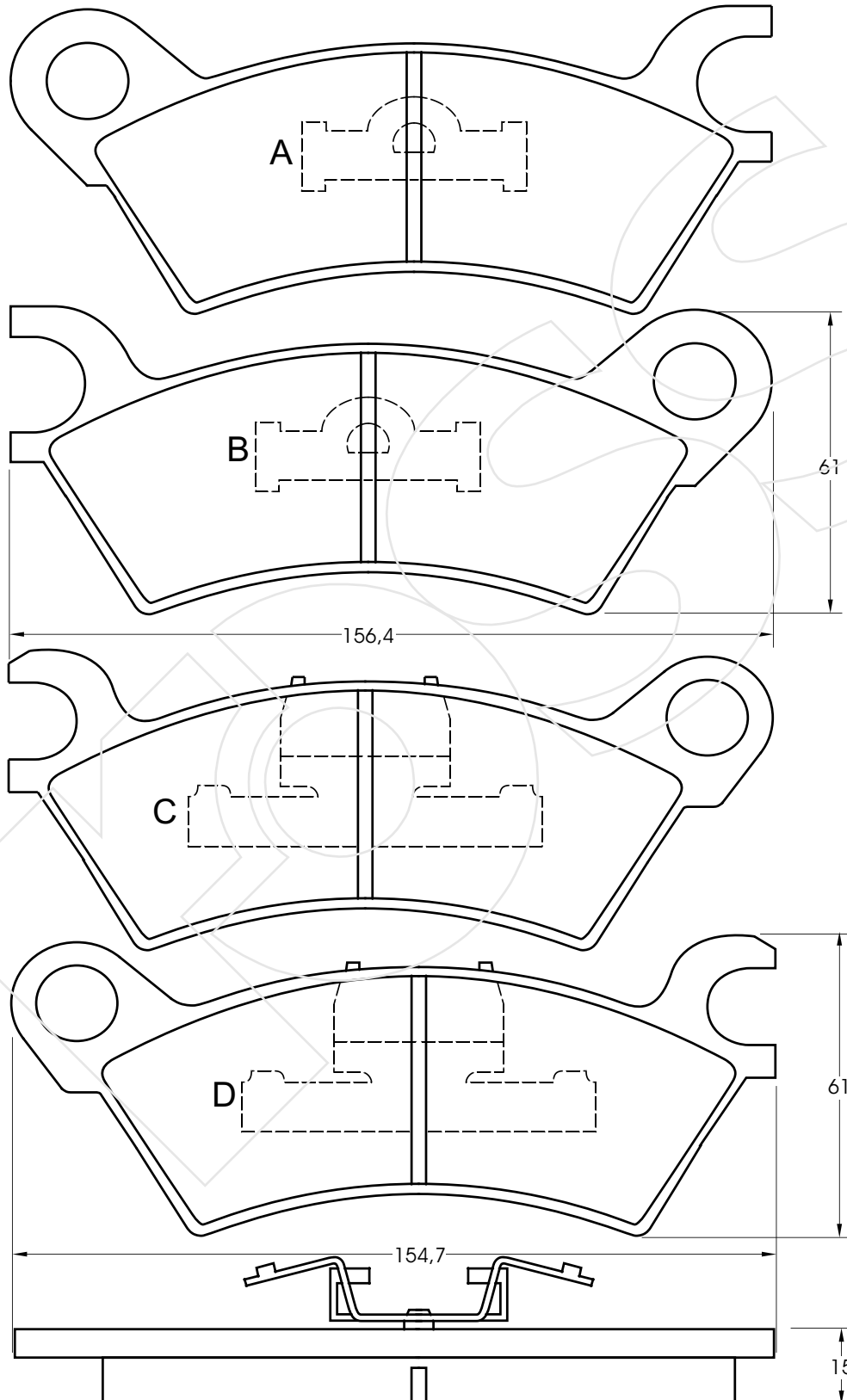


CODICE	IMPIANTO		ASSE	SCALA	APPLICAZIONI
<b>R-249</b>	SUMITOMO		ANTERIORE	1:1	MITSUBISHI
CODICE COMPONENTI	N°	L(mm)	SERIE		
*	*	*	4 PEZZI		
*	*	*			
*	*	*			
*	*	*			
CODICE ACCESSORI	N°	L(mm)	NOTE		
*	*	*			
*	*	*			
*	*	*			
*	*	*			



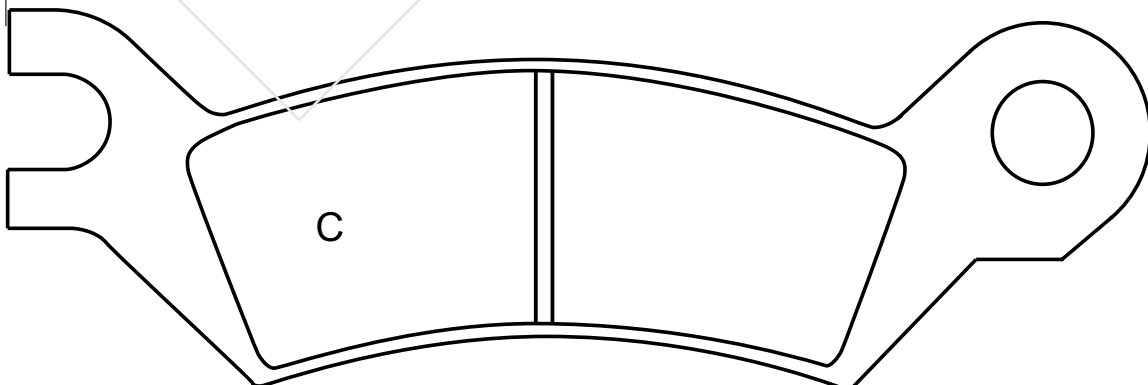
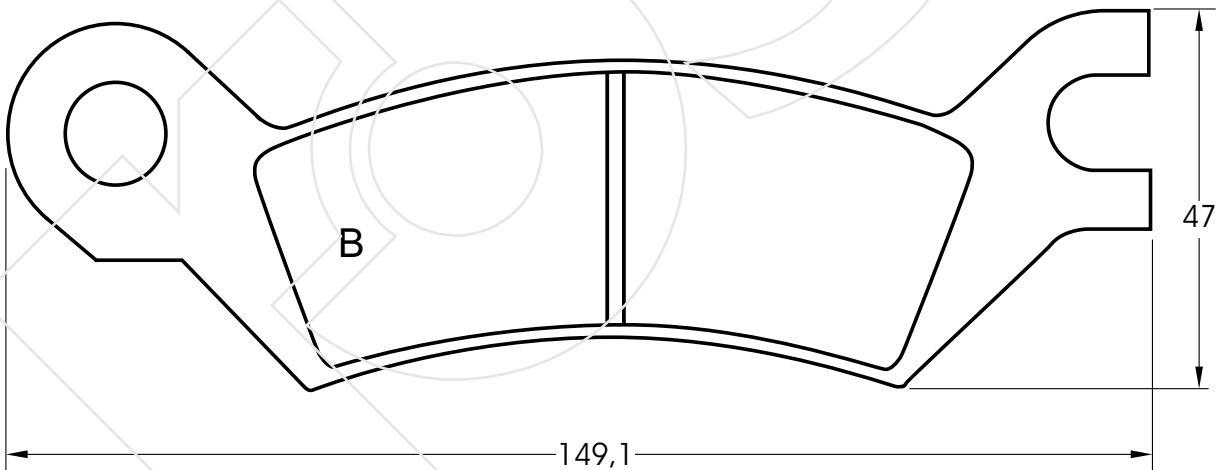
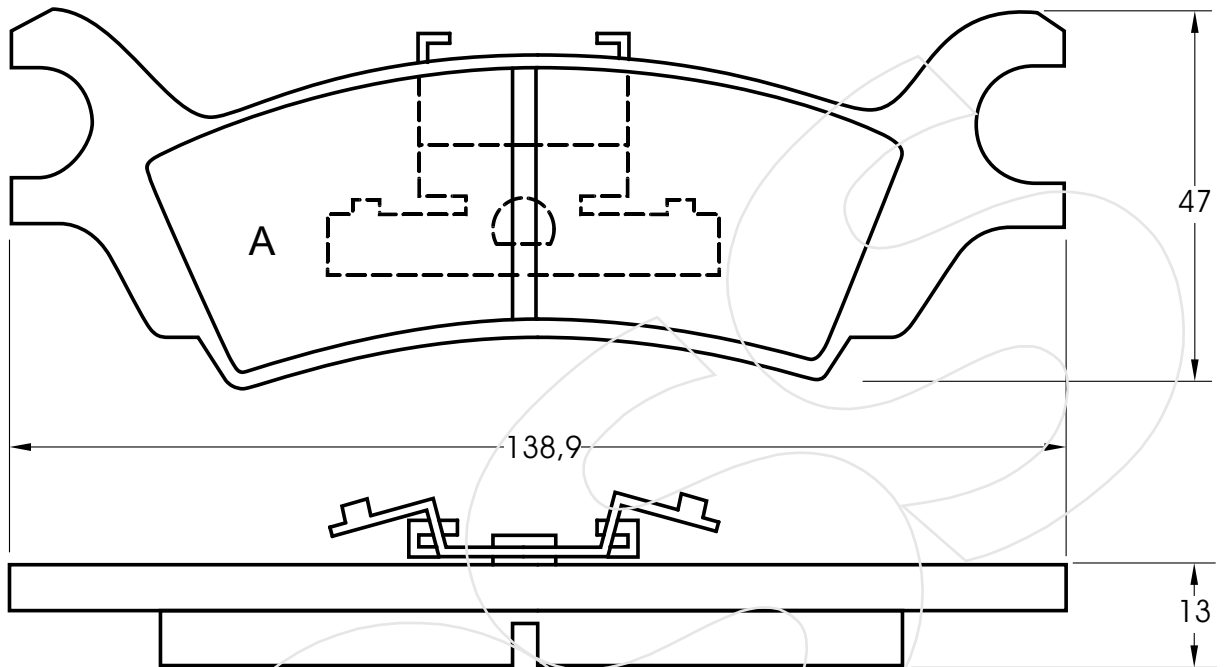
Reference in this Catalogue to other manufactures and to part numbers and other descriptions are for identification purposes only, because the above DISC BRAKE PADS are NOT ORIGINAL but with these interchangeable.

CODICE	IMPIANTO		ASSE	SCALA	APPLICAZIONI
<b>R-250</b>	AKEBONO		ANTERIORE	75%	MAZDA
CODICE COMPONENTI	N°	L(mm)	SERIE		
M0017	1	*	1 PEZZO TIPO A		
M0017	1		1 PEZZO TIPO B		
M0018	1		1 PEZZO TIPO C		
M0018	1		1 PEZZO TIPO D		
CODICE ACCESSORI	N°	L(mm)	NOTE		
*	*		*		
*	*		*		
*	*		*		
*	*		*		



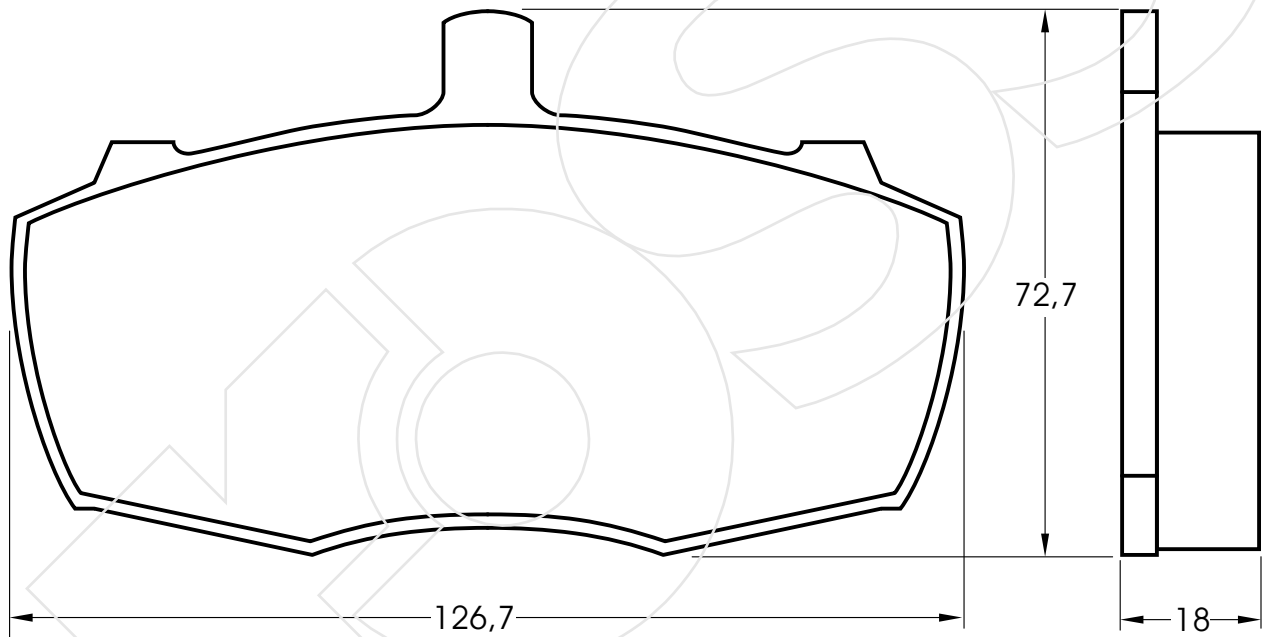
Reference in this Catalogue to other manufactures and to part numbers and other descriptions are for identification purposes only, because the above DISC BRAKE PADS are NOT ORIGINAL but with these interchangeable.

CODICE	IMPIANTO		ASSE	SCALA	APPLICAZIONI
<b>R-251</b>	AKEBONO		POSTERIORE	1:1	MAZDA
CODICE COMPONENTI	N°	L(mm)	SERIE		
M0019	2	*	2 PEZZI TIPO A		
*	*	*	1 PEZZO TIPO B		
*	*	*	1 PEZZO TIPO C		
CODICE ACCESSORI	N°	L(mm)	NOTE		
*	*	*	*		
*	*	*	*		
*	*	*	*		
*	*	*	*		



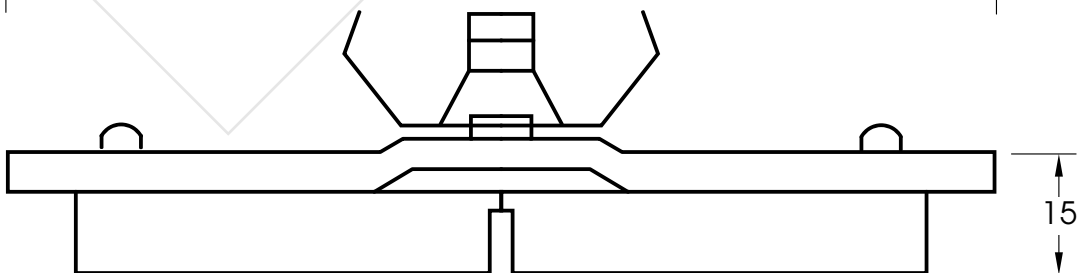
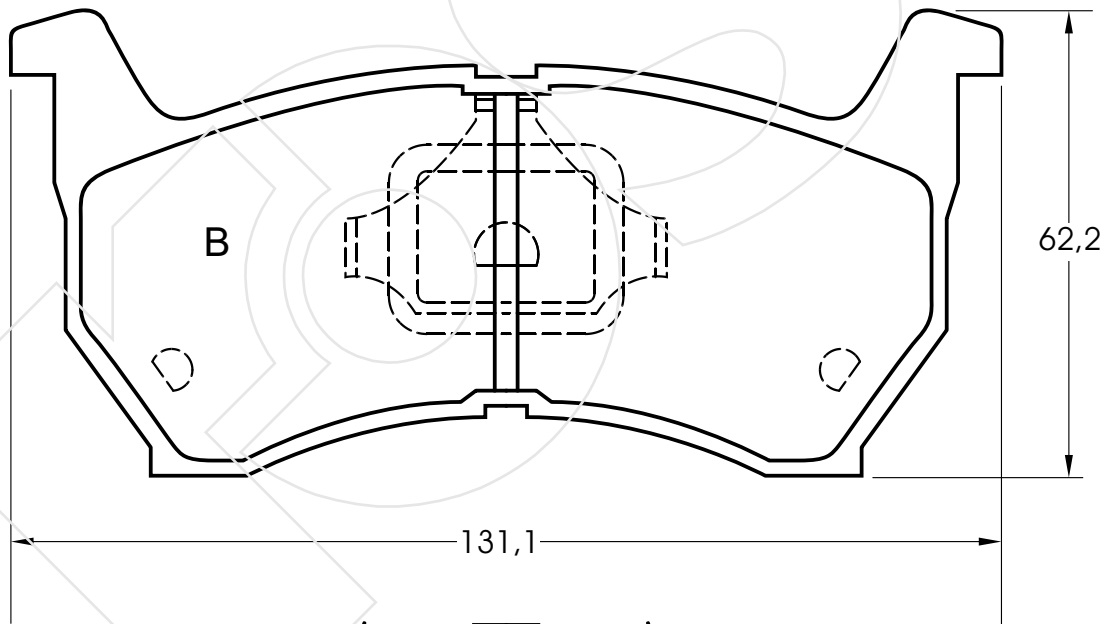
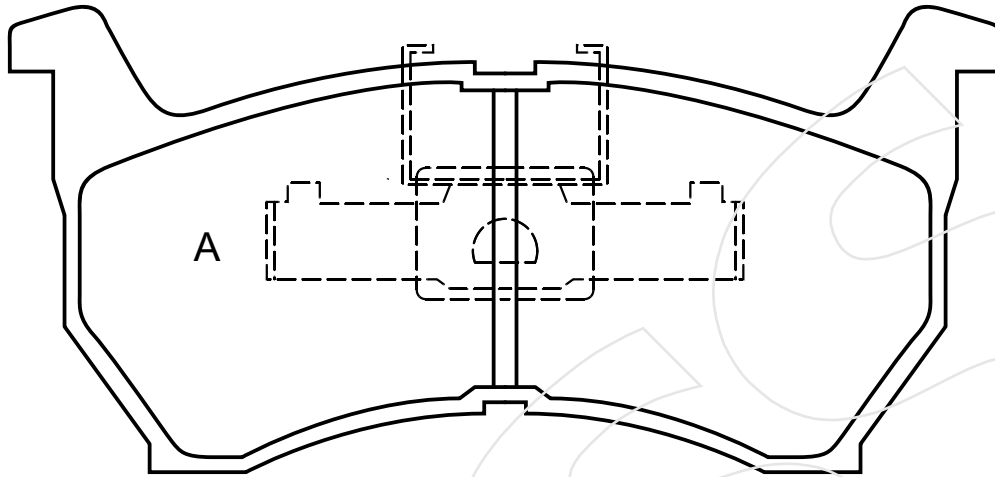
Reference in this Catalogue to other manufactures and to part numbers and other descriptions are for identification purposes only, because the above DISC BRAKE PADS are NOT ORIGINAL but with these interchangeable.

CODICE	IMPIANTO		ASSE	SCALA	APPLICAZIONI
<b>R-252</b>	GIRLING		ANTERIORE	1:1	ROVER
CODICE COMPONENTI	N°	L(mm)	SERIE		
*	*	*	4 PEZZI		
*	*2	*			
*	*	*			
*	*	*			
CODICE ACCESSORI	N°	L(mm)	NOTE		
*	*	*			
*	*	*			
*	*	*			
*	*	*			



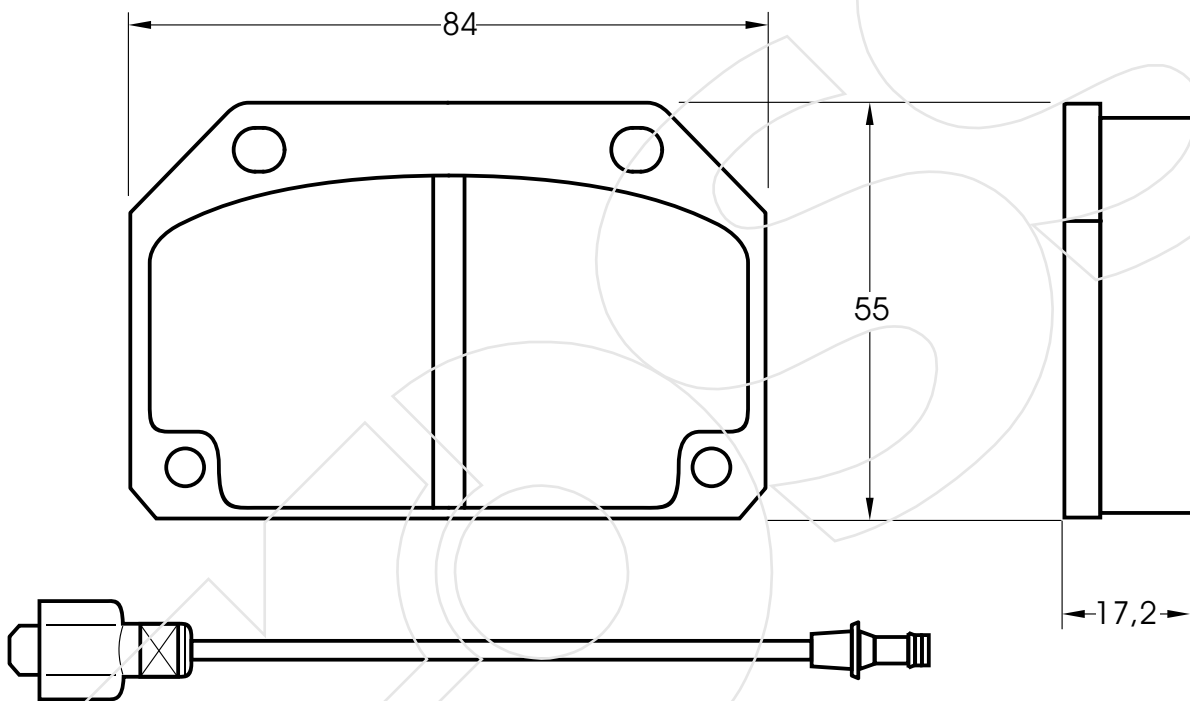
Reference in this Catalogue to other manufactures and to part numbers and other descriptions are for identification purposes only, because the above DISC BRAKE PADS are NOT ORIGINAL but with these interchangeable.

CODICE	IMPIANTO		ASSE	SCALA	APPLICAZIONI
<b>R-253</b>	AKEBONO		ANTERIORE	1:1	MAZDA
CODICE COMPONENTI	N°	L(mm)	SERIE		
M0022	2	*	2 PEZZI TIPO A		
M0020+M0021	2+2	*	2 PEZZI TIPO B		
*	*				
CODICE ACCESSORI	N°	L(mm)	NOTE		
*	*		*		
*	*		*		
*	*		*		
*	*		*		



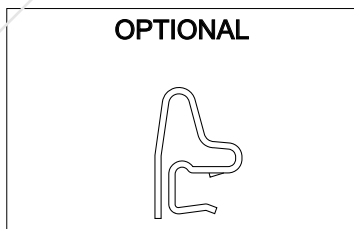
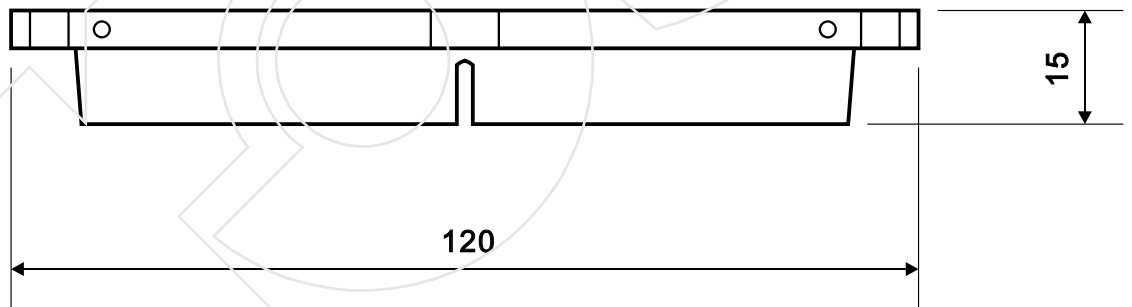
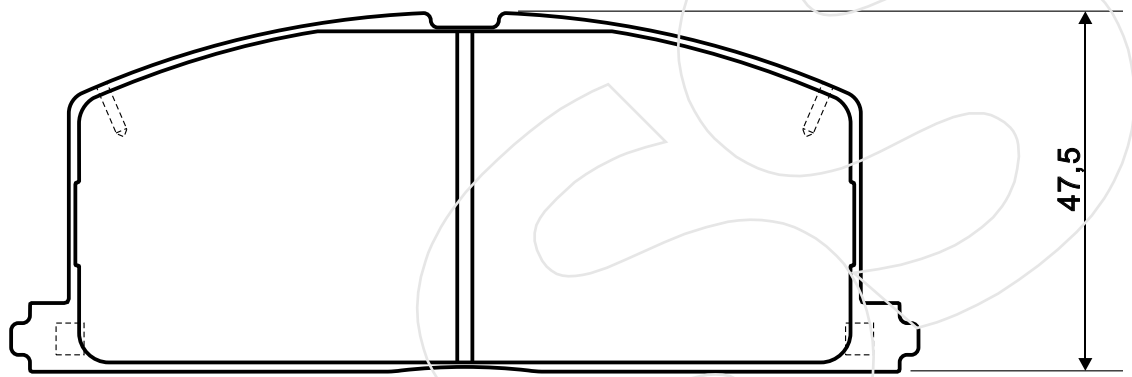
Reference in this Catalogue to other manufactures and to part numbers and other descriptions are for identification purposes only, because the above DISC BRAKE PADS are NOT ORIGINAL but with these interchangeable.

CODICE	IMPIANTO		ASSE	SCALA	APPLICAZIONI
<b>R-254</b>	BENDIX		ANTERIORE	1:1	TALBOT
CODICE COMPONENTI	N°	L(mm)	SERIE		
*	*	*	4 PEZZI		
F3048	2	110			
*	*	*			
*	*	*			
CODICE ACCESSORI	N°	L(mm)	NOTE		
*	*	*			
*	*	*			
*	*	*			
*	*	*			



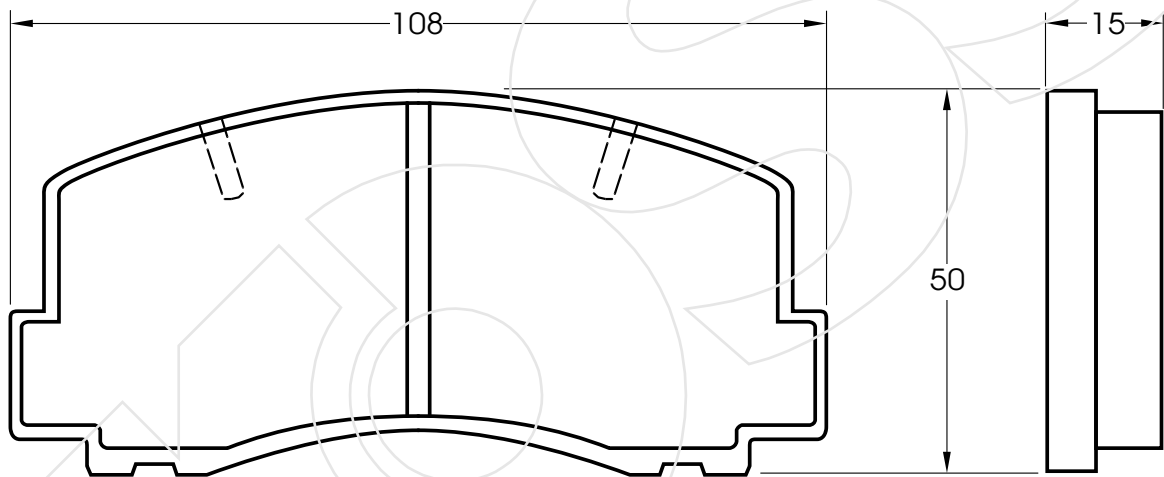
Reference in this Catalogue to other manufactures and to part numbers and other descriptions are for identification purposes only, because the above DISC BRAKE PADS are NOT ORIGINAL but with these interchangeable.

CODICE	IMPIANTO	ASSE	SCALA	APPLICAZIONI
<b>R-255</b>	AKEBONO	ANTERIORE	1:1	TOYOTA
CODICE COMPONENTI	N°	L(mm)	SERIE	
*	*	*	4 PEZZI	
*	*	*	*	
*	*	*	*	
*	*	*	*	
OPTIONAL	N°	L(mm)	NOTE	
M0023	8	*		
*	*	*		
*	*	*		
*	*	*		



Reference in this Catalogue to other manufactures and to part numbers and other descriptions are for identification purposes only, because the above DISC BRAKE PADS are NOT ORIGINAL but with these interchangeable.

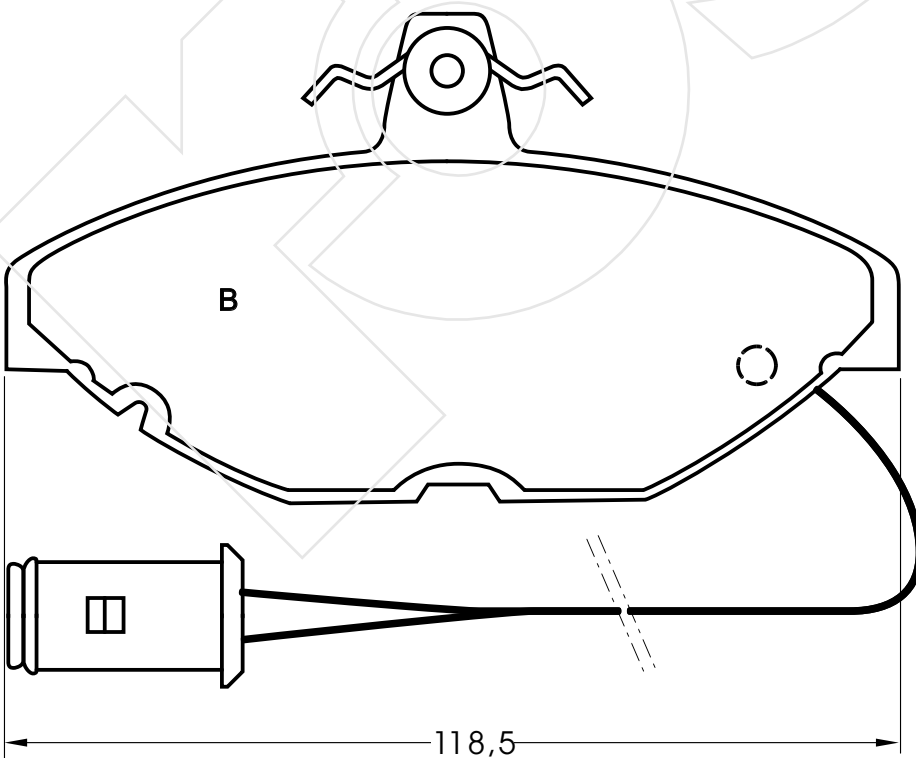
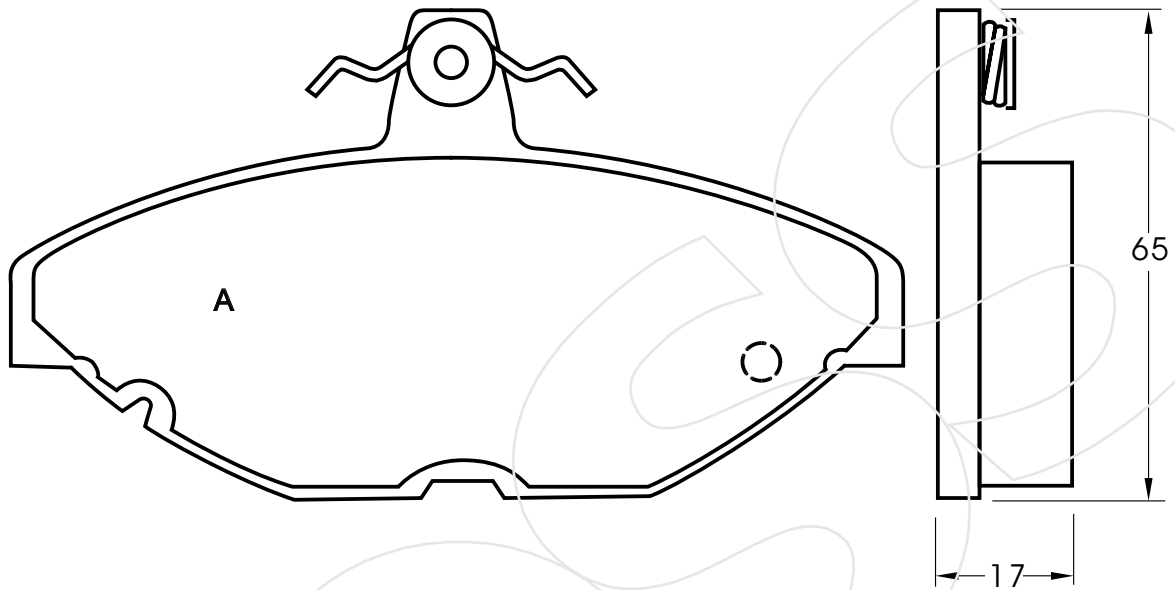
CODICE	IMPIANTO		ASSE	SCALA	APPLICAZIONI
<b>R-256</b>	AKEBONO		ANTERIORE	1:1	MITSUBISHI
CODICE COMPONENTI	N°	L(mm)	SERIE		
*	*	*	4 PEZZI		
*	*	*			
*	*	*			
*	*	*			
CODICE ACCESSORI	N°	L(mm)	NOTE		
*	*	*			
*	*	*			
*	*	*			
*	*	*			



Reference in this Catalogue to other manufactures and to part numbers and other descriptions are for identification purposes only, because the above DISC BRAKE PADS are NOT ORIGINAL but with these interchangeable.

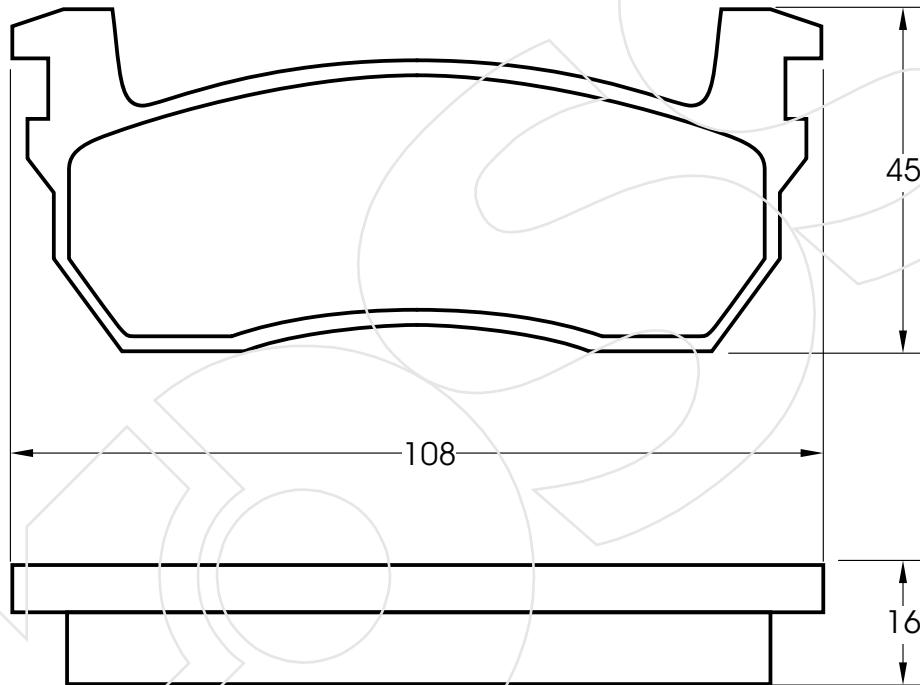


CODICE	IMPIANTO	ASSE	SCALA	APPLICAZIONI
<b>R-258</b>	GIRLING	ANTERIORE	1:1	ROVER
CODICE COMPONENTI	N°	L(mm)	SERIE	
M0030+P1010	3+3	*	3 PEZZI TIPO A	
M0030+P1012+F3024	1+1+1	220	1 PEZZO TIPO B	
CODICE ACCESSORI	N°	L(mm)	NOTE	
*	*			
*	*			
*	*			
*	*			



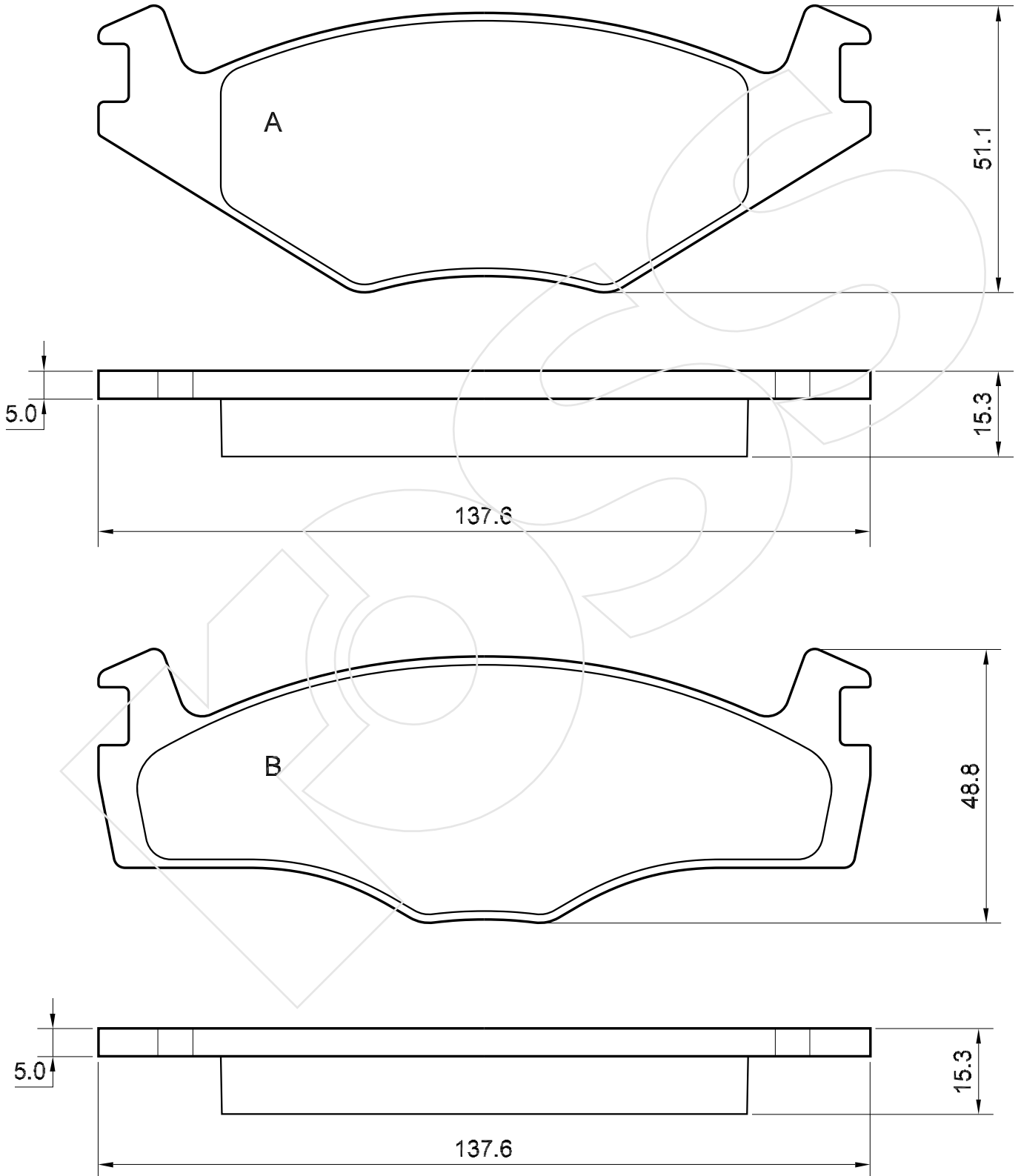
Reference in this Catalogue to other manufactures and to part numbers and other descriptions are for identification purposes only, because the above DISC BRAKE PADS are NOT ORIGINAL but with these interchangeable.

CODICE	IMPIANTO		ASSE	SCALA	APPLICAZIONI
<b>R-259</b>	AKEBONO		ANTERIORE	1:1	NISSAN-DATSUN
CODICE COMPONENTI	N°	L(mm)	SERIE		
*	*	*	4 PEZZI		
*	*	*			
*	*	*			
*	*	*			
CODICE ACCESSORI	N°	L(mm)	NOTE		
*	*	*			
*	*	*			
*	*	*			



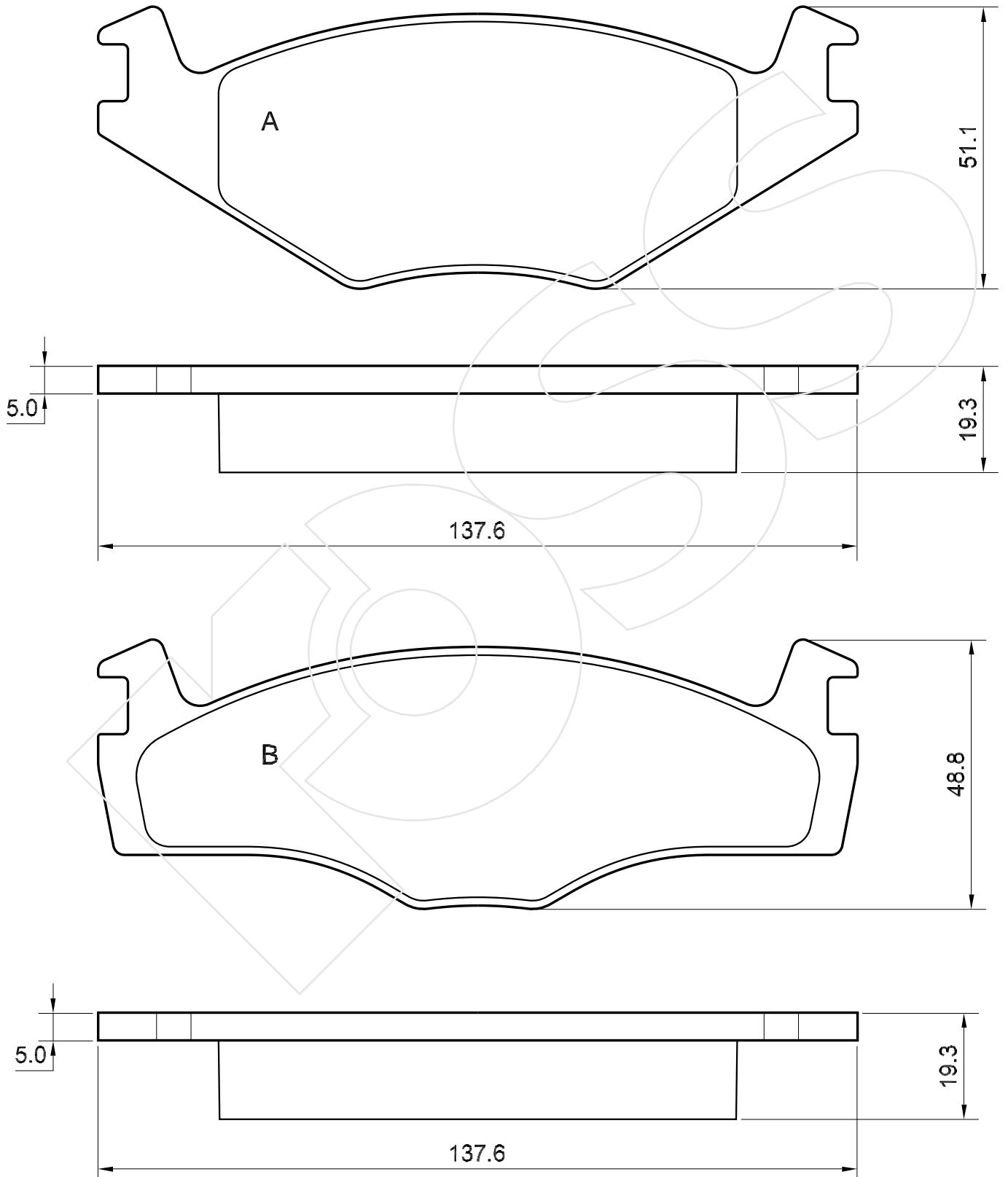
Reference in this Catalogue to other manufactures and to part numbers and other descriptions are for identification purposes only, because the above DISC BRAKE PADS are NOT ORIGINAL but with these interchangeable.

CODICE	IMPIANTO		ASSE	SCALA	APPLICAZIONI
<b>R-260</b>	KELSEY-HAYES		ANTERIORE	100%	VOLKSWAGEN
CODICE COMPONENTI	N°	L(mm)	SERIE		
*	*	*	2 PEZZI TIPO A		
*	*	*	2 PEZZI TIPO B		
*	*	*	*		
*	*	*	*		
CODICE ACCESSORI	N°	L(mm)	NOTE		
M0115-KIT	1	*			
*	*	*			
*	*	*			
*	*	*			



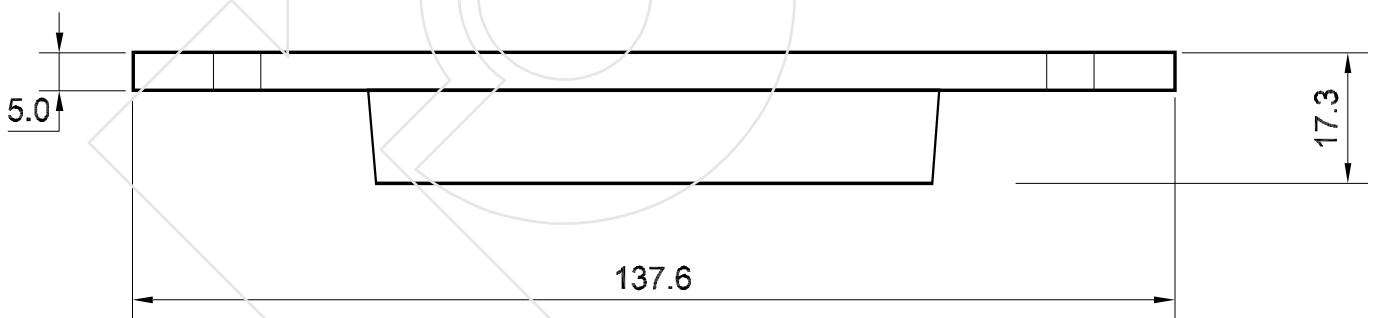
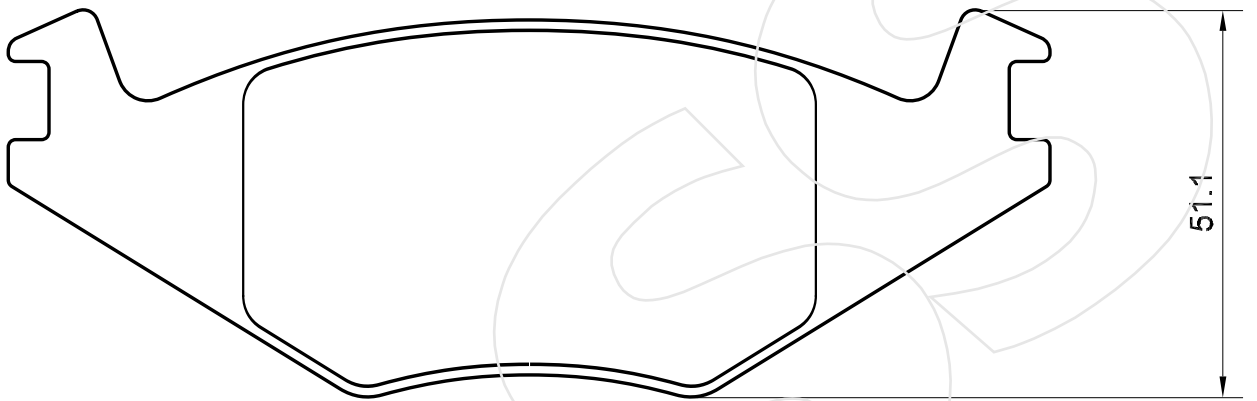
Reference in this Catalogue to other manufactures and to part numbers and other descriptions are for identification purposes only, because the above DISC BRAKE PADS are NOT ORIGINAL but with these interchangeable.

CODICE	IMPIANTO		ASSE	SCALA	APPLICAZIONI
<b>R-261</b>	KELSEY-HAYES		ANTERIORE	100%	VOLKSWAGEN
CODICE COMPONENTI	N°	L(mm)	SERIE		
*	*	*	2 PEZZI TIPO A		
*	*	*	2 PEZZI TIPO B		
*	*	*	*		
*	*	*	*		
CODICE ACCESSORI	N°	L(mm)	NOTE		
M0115-KIT	1	*			
*	*	*			
*	*	*			
*	*	*			



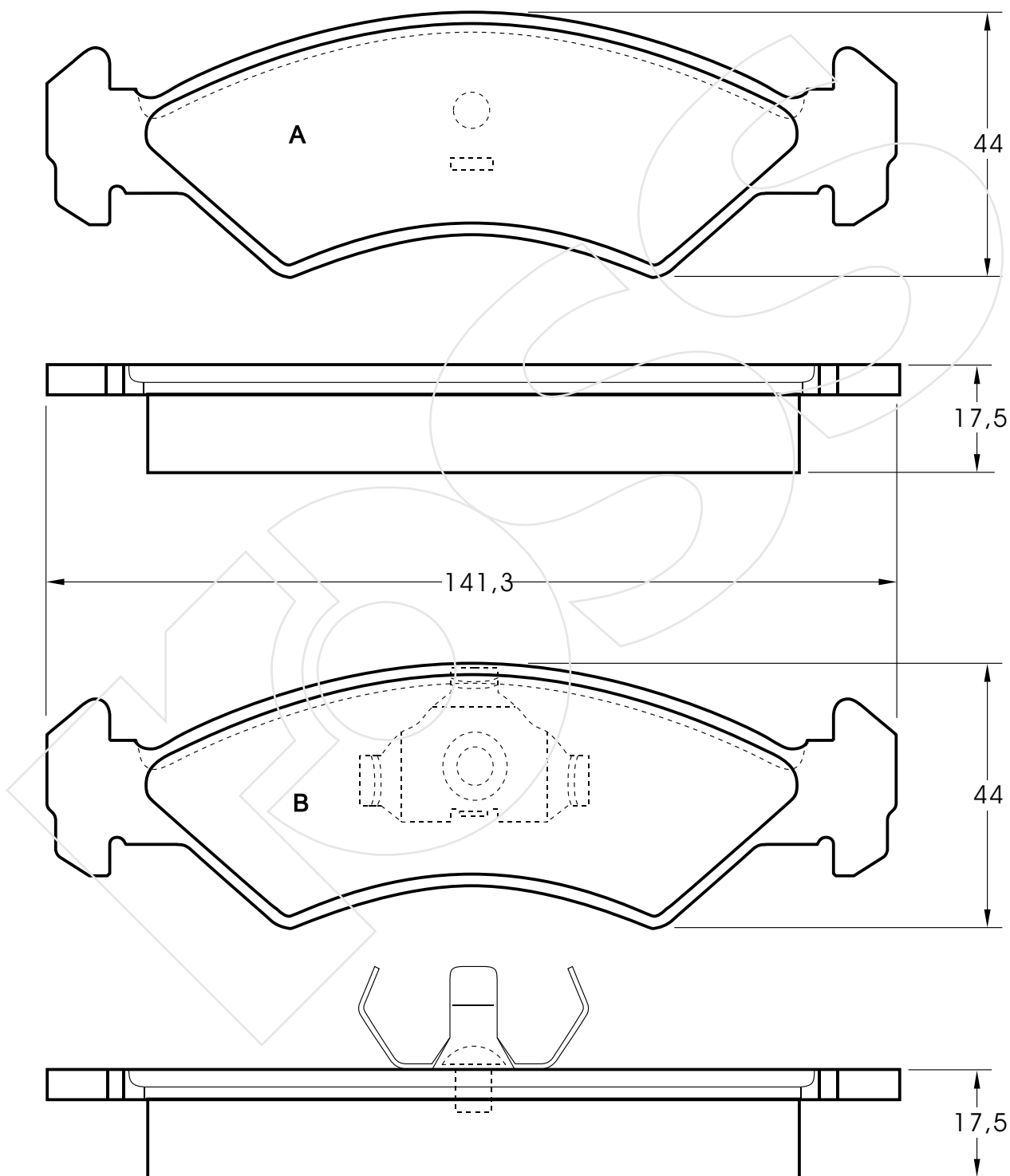
Reference in this Catalogue to other manufactures and to part numbers and other descriptions are for identification purposes only, because the above DISC BRAKE PADS are NOT ORIGINAL but with these interchangeable.

CODICE	IMPIANTO		ASSE	SCALA	APPLICAZIONI
<b>R-262</b>	KELSEY-HAYES		ANTERIORE	100%	VOLKSWAGEN SEAT
CODICE COMPONENTI	N°	L(mm)	SERIE		
*	*	*	4 PEZZI		
*	*	*	*		
*	*	*	*		
*	*	*	*		
CODICE ACCESSORI	N°	L(mm)	NOTE		
Kit M0115	*	*			
*	*	*			
*	*	*			
*	*	*			



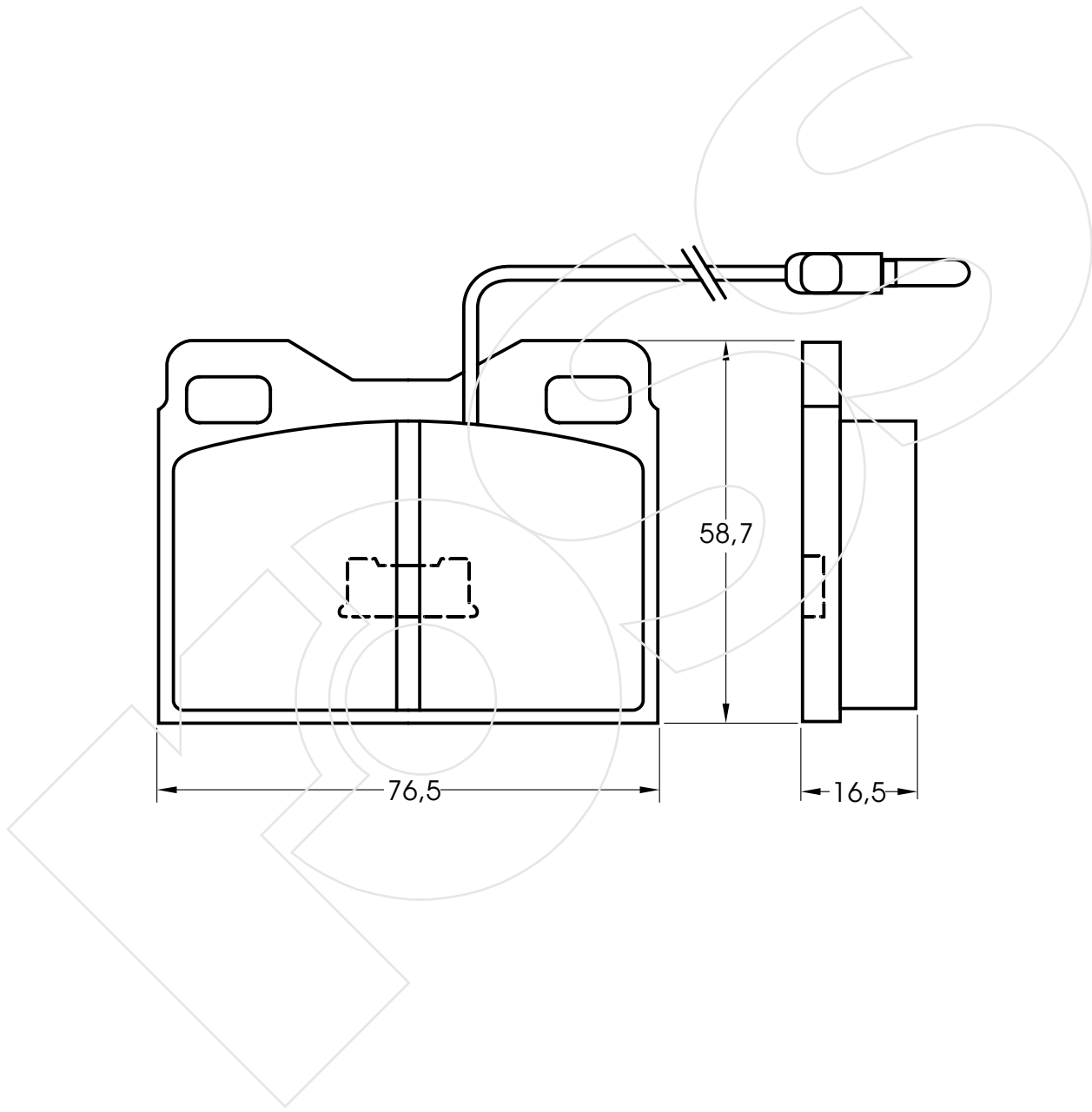
Reference in this Catalogue to other manufactures and to part numbers and other descriptions are for identification purposes only, because the above DISC BRAKE PADS are NOT ORIGINAL but with these interchangeable.

CODICE	IMPIANTO	ASSE	SCALA	APPLICAZIONI
<b>R-263</b>	ATE	ANTERIORE	1:1	FORD
CODICE COMPONENTI	N°	L(mm)	SERIE	
*	*	*	2 PEZZI	TIPO A
M0024+P1002	2+2	*	2 PEZZI	TIPO B
CODICE ACCESSORI	N°	L(mm)	NOTE	
*	*			
*	*			
*	*			
*	*			



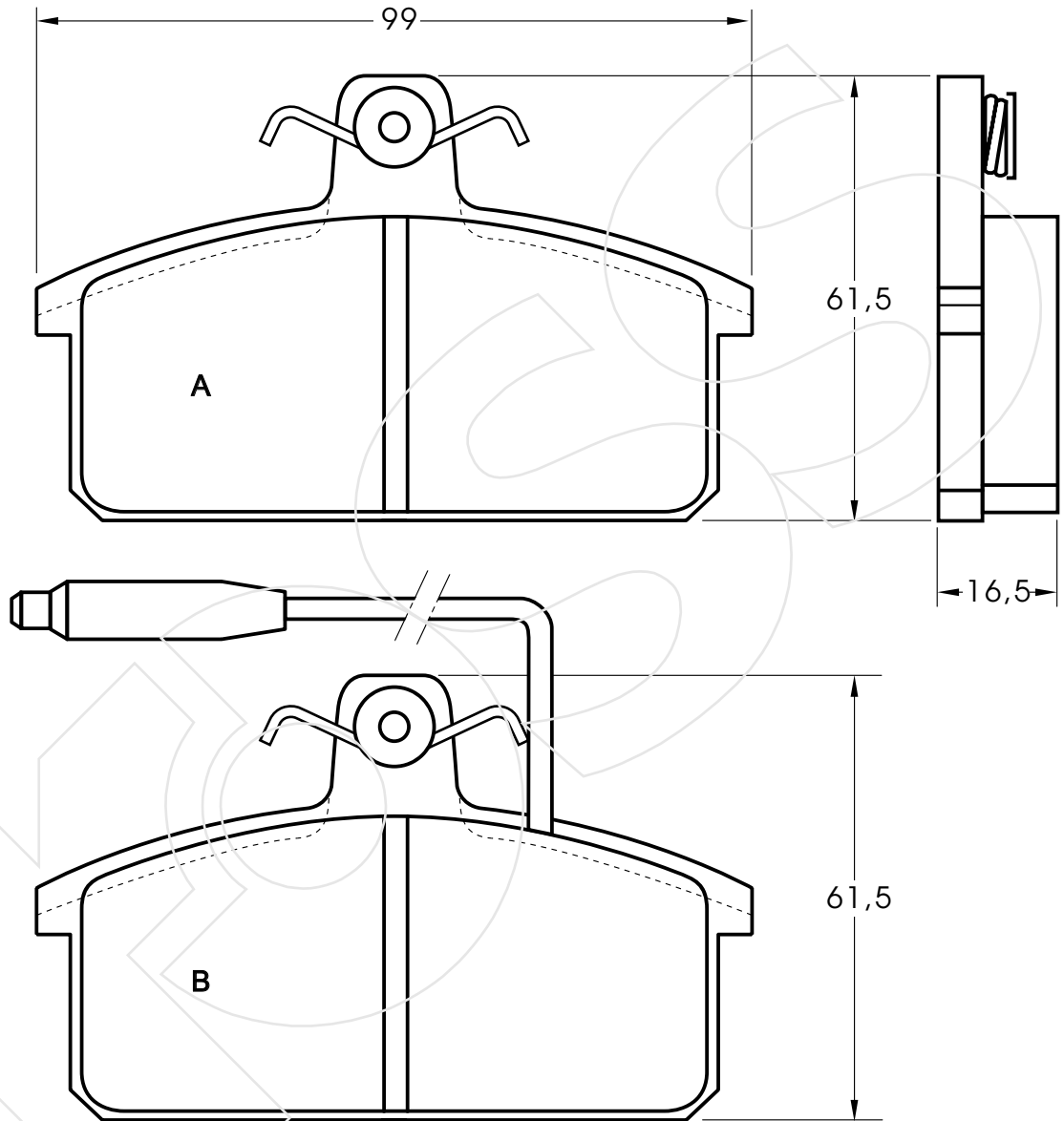
Reference in this Catalogue to other manufactures and to part numbers and other descriptions are for identification purposes only, because the above DISC BRAKE PADS are NOT ORIGINAL but with these interchangeable.

CODICE	IMPIANTO		ASSE	SCALA	APPLICAZIONI
<b>R-264</b>	ATE		ANTERIORE	1:1	PEUGEOT
CODICE COMPONENTI	N°	L(mm)	SERIE		
F3007	4	250	4 PEZZI		
*	*	*			
*	*	*			
*	*	*			
CODICE ACCESSORI	N°	L(mm)	NOTE		
*	*	*			
*	*	*			
*	*	*			
*	*	*			



Reference in this Catalogue to other manufactures and to part numbers and other descriptions are for identification purposes only, because the above DISC BRAKE PADS are NOT ORIGINAL but with these interchangeable.

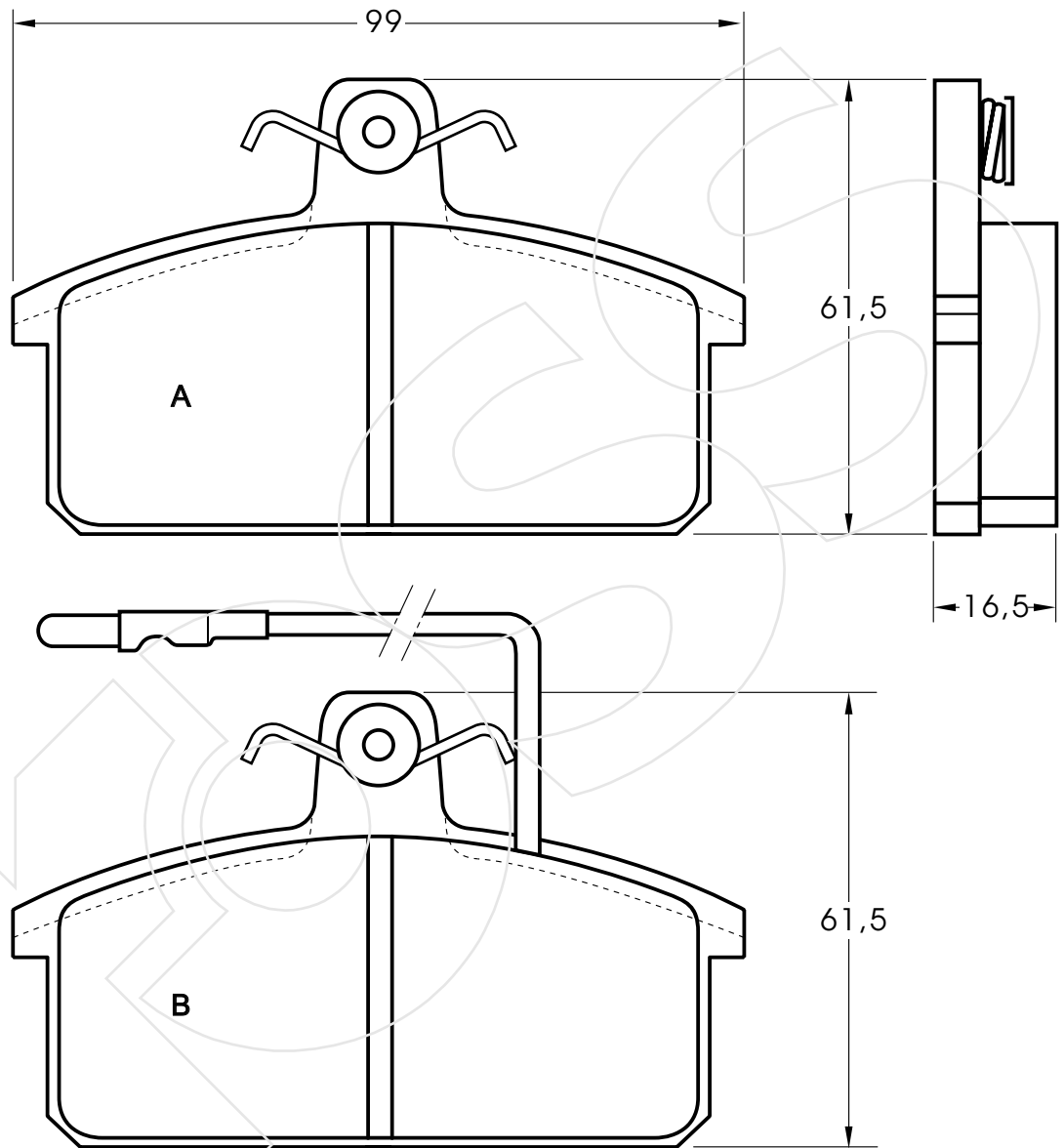
CODICE	IMPIANTO	ASSE	SCALA	APPLICAZIONI
<b>R-265-1</b>	GIRLING	ANTERIORE	1:1	SEAT
CODICE COMPONENTI	N°	L(mm)	SERIE	
M0077+P1011	2+2	*	2 PEZZI	TIPO A
M0077++P1011+F3017	2+2+2	215	2 PEZZI	TIPO B
CODICE ACCESSORI	N°	L(mm)	NOTE	
*	*			
*	*			
*	*			
*	*			



Reference in this Catalogue to other manufactures and to part numbers and other descriptions are for identification purposes only, because the above DISC BRAKE PADS are NOT ORIGINAL but with these interchangeable.

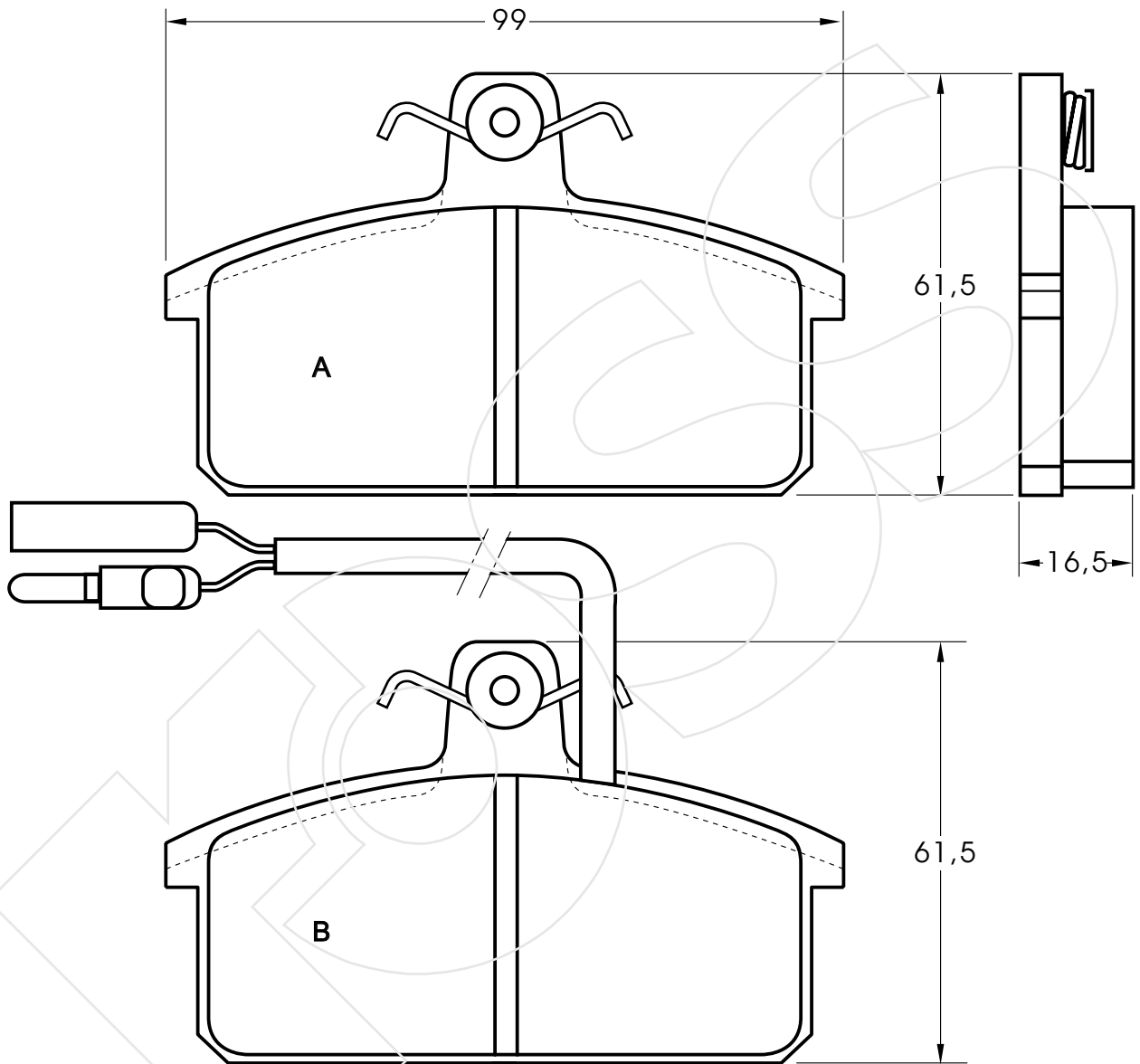


CODICE	IMPIANTO	ASSE	SCALA	APPLICAZIONI
<b>R-265-2</b>	GIRLING	ANTERIORE	1:1	LANCIA
CODICE COMPONENTI	N°	L(mm)	SERIE	
M0077+P1011	2+2	*	2 PEZZI TIPO A	
M0077++P1011+F3002	2+2+2	240	2 PEZZI TIPO B	
CODICE ACCESSORI	N°	L(mm)	NOTE	
*	*			
*	*			
*	*			
*	*			



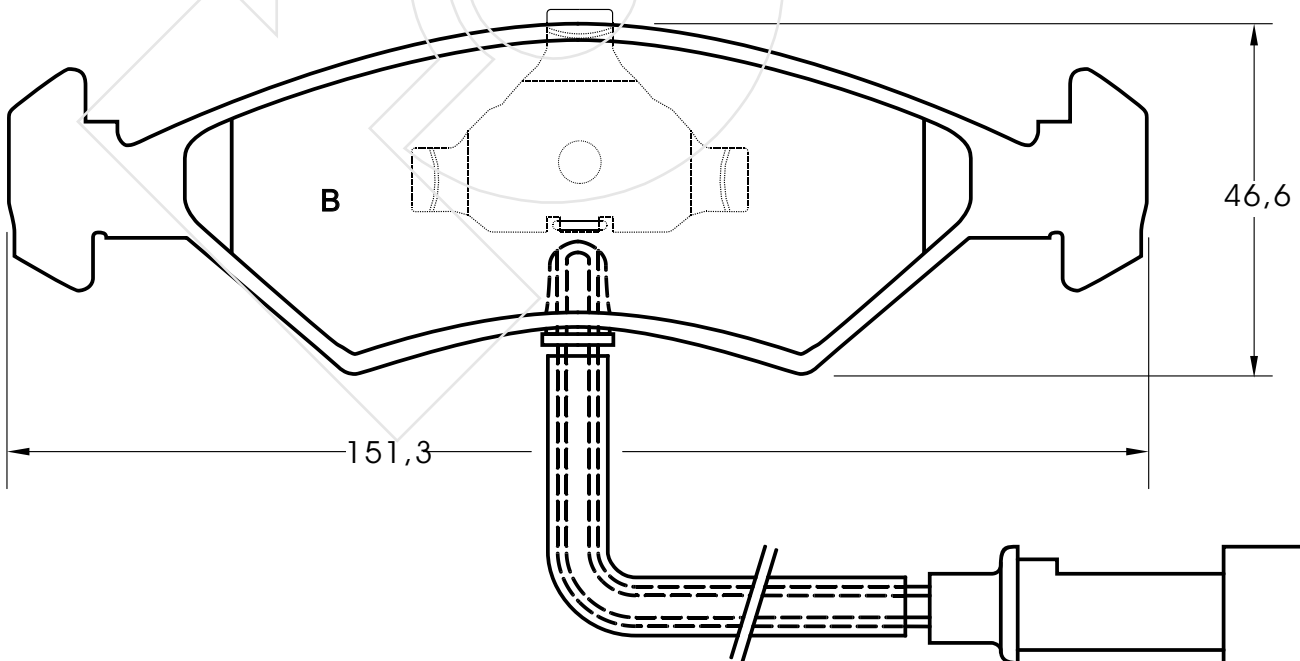
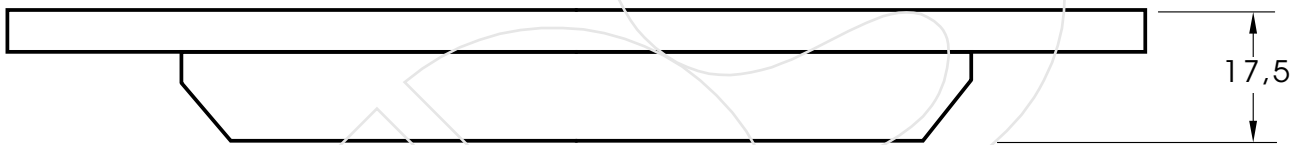
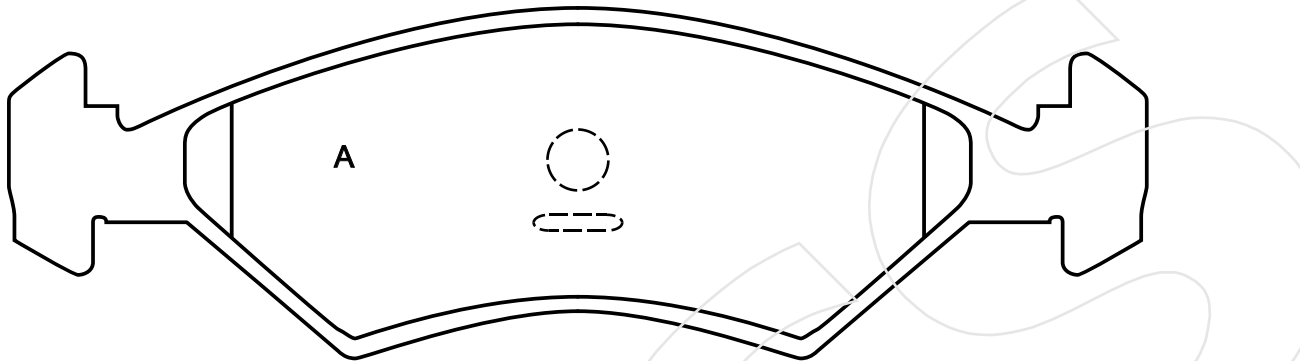
Reference in this Catalogue to other manufactures and to part numbers and other descriptions are for identification purposes only, because the above DISC BRAKE PADS are NOT ORIGINAL but with these interchangeable.

CODICE	IMPIANTO	ASSE	SCALA	APPLICAZIONI
<b>R-265</b>	GIRLING	ANTERIORE	1:1	LANCIA
CODICE COMPONENTI	N°	L(mm)	SERIE	
M0077+P1011	2+2	*	2 PEZZI TIPO A	
M0077++P1011+F3025	2+2+2	700	2 PEZZI TIPO B	
CODICE ACCESSORI	N°	L(mm)	NOTE	
*	*			
*	*			
*	*			
*	*			



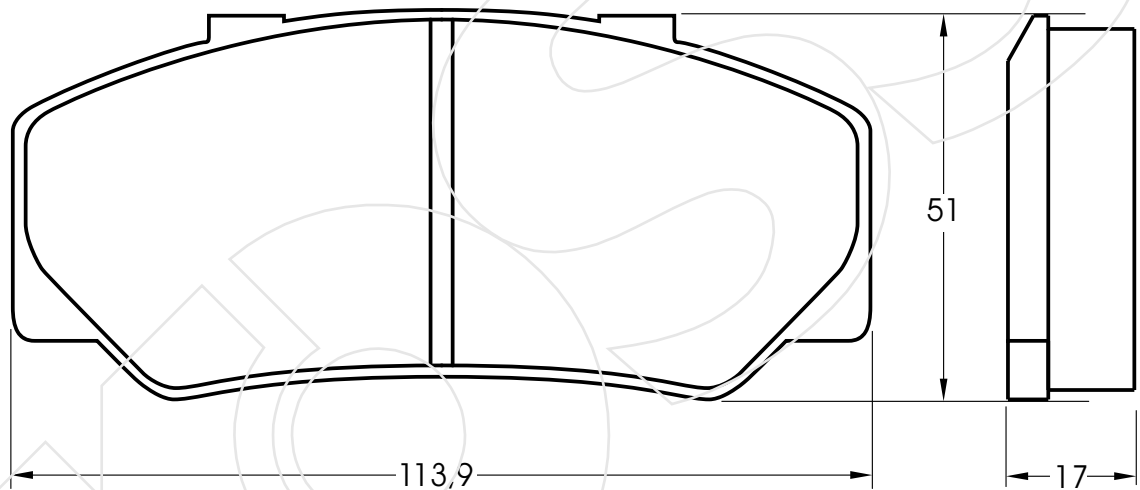
Reference in this Catalogue to other manufactures and to part numbers and other descriptions are for identification purposes only, because the above DISC BRAKE PADS are NOT ORIGINAL but with these interchangeable.

CODICE	IMPIANTO		ASSE	SCALA	APPLICAZIONI
<b>R-266</b>	ATE		ANTERIORE	1:1	FORD
CODICE COMPONENTI	N°	L(mm)	SERIE		
*	*	*	2 PEZZI TIPO A		
M0011+P1002+F3023	2+2+2	255	2 PEZZI TIPO B		
CODICE ACCESSORI	N°	L(mm)	NOTE		
*	*				
*	*				
*	*				
*	*				



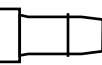
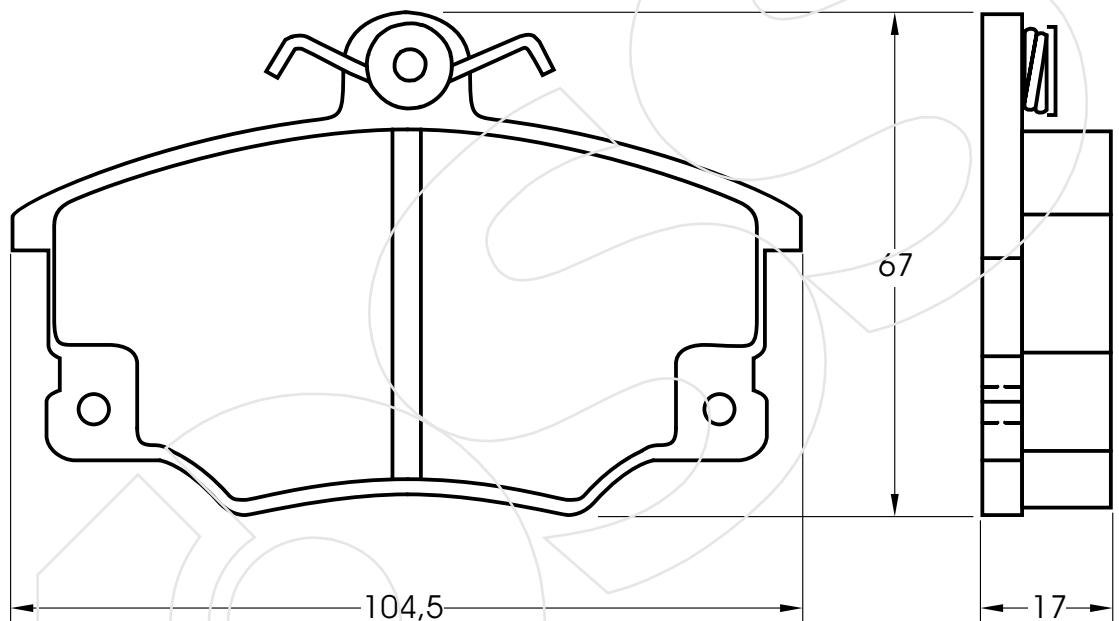
Reference in this Catalogue to other manufactures and to part numbers and other descriptions are for identification purposes only, because the above DISC BRAKE PADS are NOT ORIGINAL but with these interchangeable.

CODICE	IMPIANTO	ASSE	SCALA	APPLICAZIONI
<b>R-267</b>	BENDIX	ANTERIORE	1:1	VOLVO
CODICE COMPONENTI	N°	L(mm)	SERIE	
*	*	*	4 PEZZI	
*	*	*		
*	*	*		
*	*	*		
CODICE ACCESSORI	N°	L(mm)	NOTE	
*	*	*		
*	*	*		
*	*	*		
*	*	*		



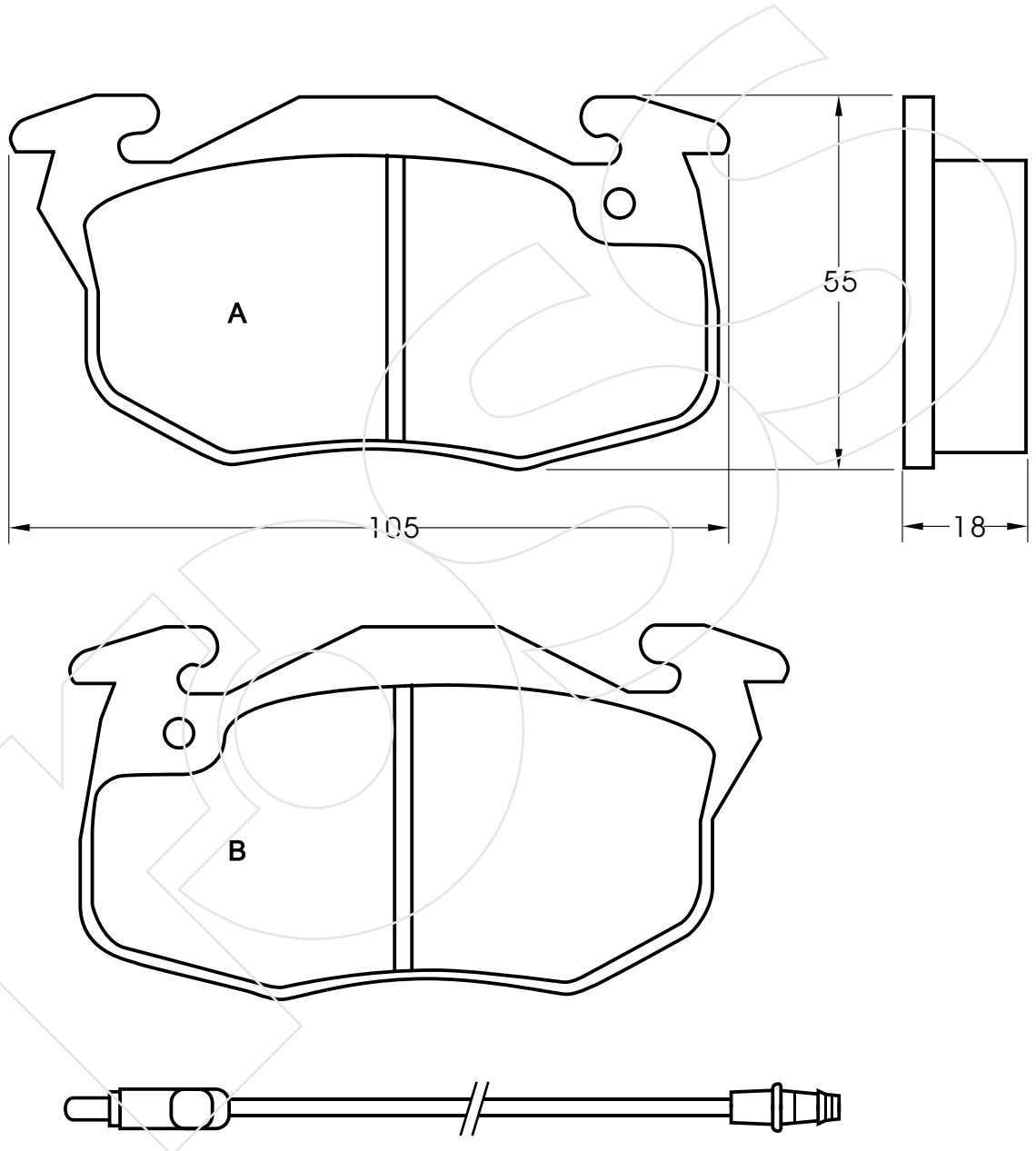
Reference in this Catalogue to other manufactures and to part numbers and other descriptions are for identification purposes only, because the above DISC BRAKE PADS are NOT ORIGINAL but with these interchangeable.

CODICE	IMPIANTO		ASSE	SCALA	APPLICAZIONI
<b>R-268</b>	GIRLING		ANTERIORE	1:1	ALFAROMEO AUTOBIANCHI FIAT LANCIA
CODICE COMPONENTI	N°	L(mm)	SERIE		
M0077+P1011	4+4	*	4 PEZZI		
F3000	2	*			
*	*	*			
*	*	*			
CODICE ACCESSORI	N°	L(mm)	NOTE		
*	*				
*	*				
*	*				
*	*				



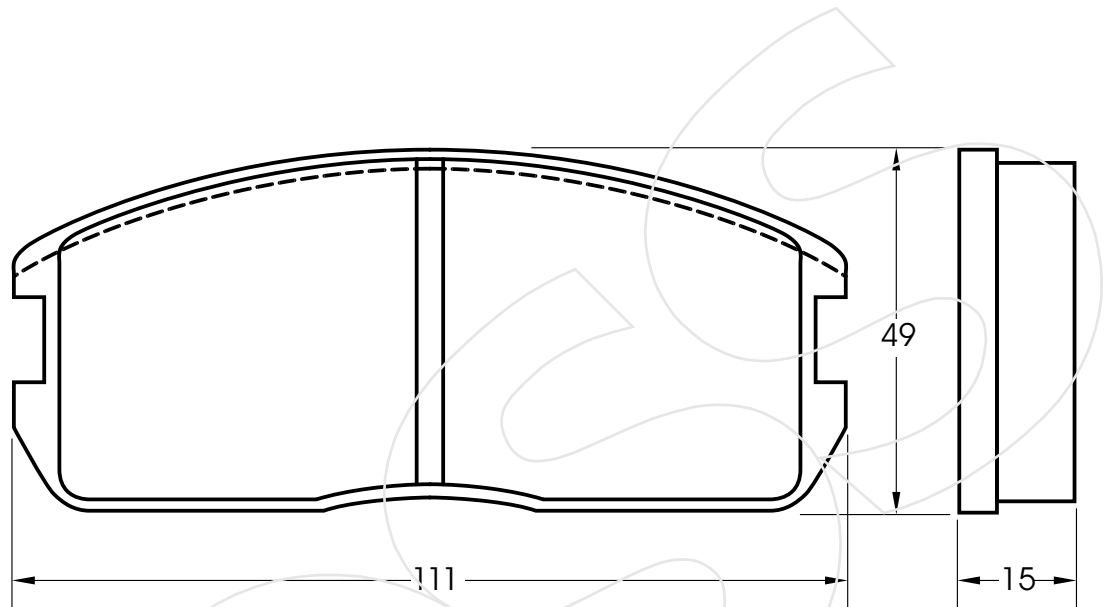
F3000

CODICE	IMPIANTO		ASSE	SCALA	APPLICAZIONI
<b>R-269</b>	BENDIX		ANTERIORE	1:1	RENAULT PEUGEOT
CODICE COMPONENTI	N°	L(mm)	SERIE		
*	*	*	2 PEZZI TIPO A		
*	*	*	2 PEZZI TIPO B		
F3053	2	200			
CODICE ACCESSORI	N°	L(mm)	NOTE		
*	*	*			
*	*	*			
*	*	*			
*	*	*			



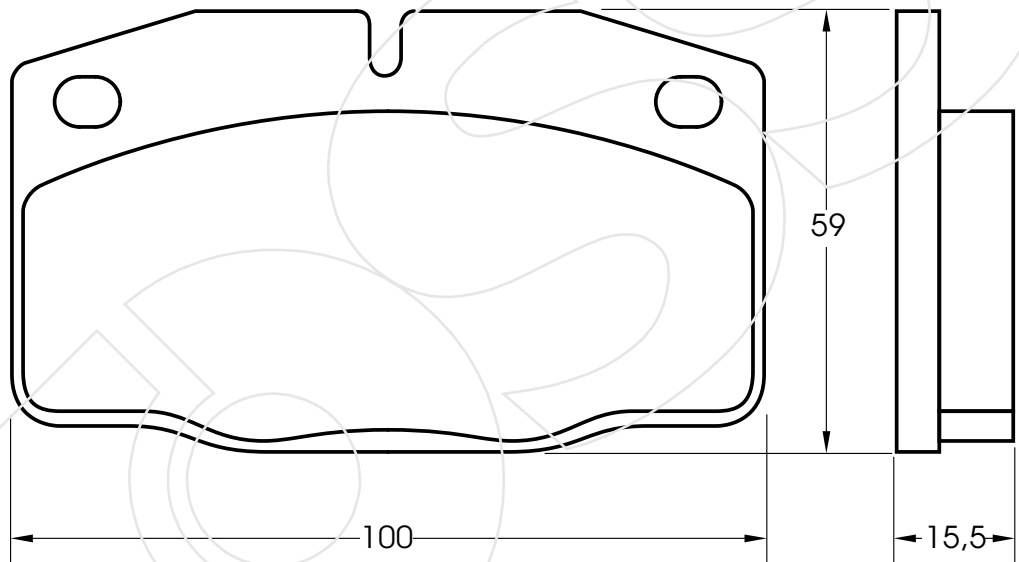
Reference in this Catalogue to other manufactures and to part numbers and other descriptions are for identification purposes only, because the above DISC BRAKE PADS are NOT ORIGINAL but with these interchangeable.

CODICE	IMPIANTO		ASSE	SCALA	APPLICAZIONI
<b>R-270</b>	SUMITOMO		ANTERIORE	1:1	MITSUBISHI
CODICE COMPONENTI	N°	L(mm)	SERIE		
*	*	*	4 PEZZI		
*	*	*			
*	*	*			
*	*	*			
CODICE ACCESSORI	N°	L(mm)	NOTE		
*	*	*			
*	*	*			
*	*	*			
*	*	*			



Reference in this Catalogue to other manufactures and to part numbers and other descriptions are for identification purposes only, because the above DISC BRAKE PADS are NOT ORIGINAL but with these interchangeable.

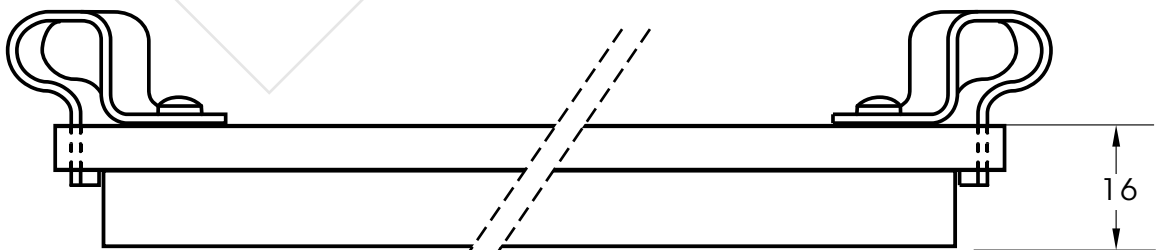
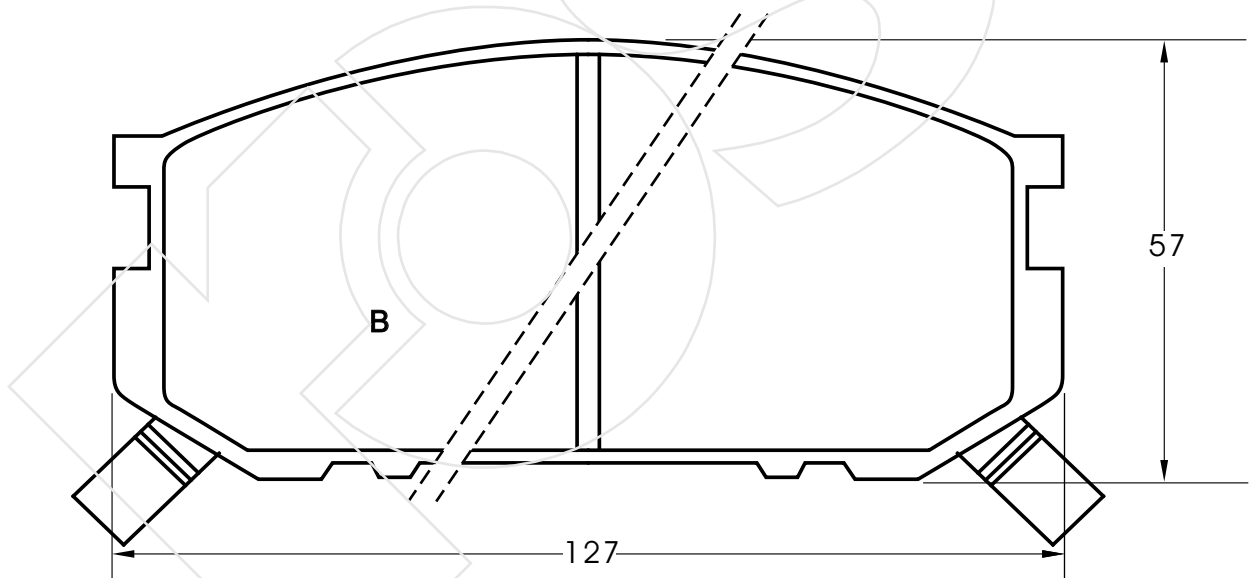
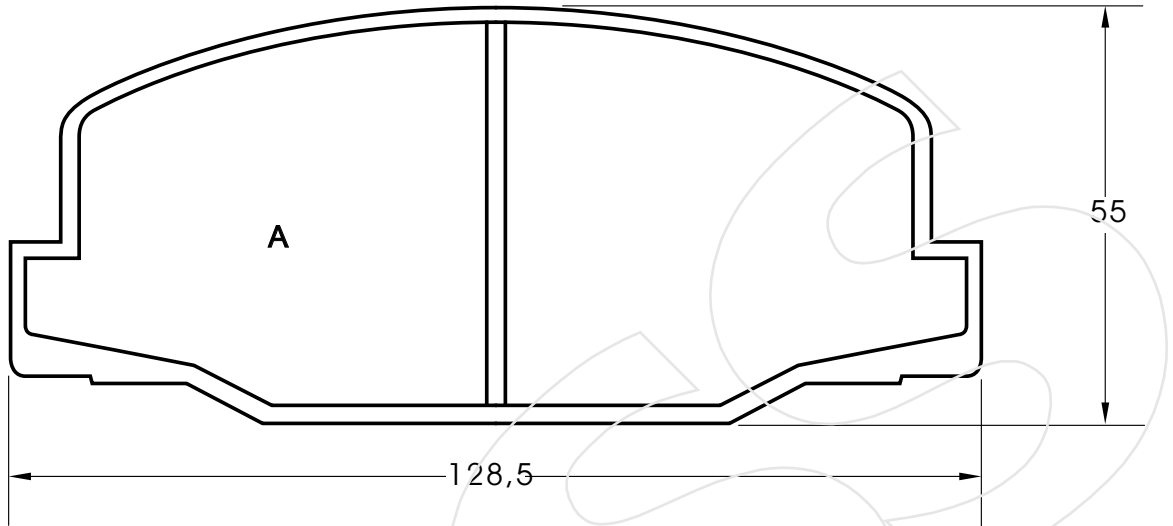
CODICE	IMPIANTO		ASSE	SCALA	APPLICAZIONI
<b>R-271</b>	DELCO		ANTERIORE	1:1	OPEL VAUXHALL
CODICE COMPONENTI	N°	L(mm)	SERIE		
*	*	*	4 PEZZI		
*	*	*			
*	*	*			
*	*	*			
CODICE ACCESSORI	N°	L(mm)	NOTE		
*	*	*			
*	*	*			
*	*	*			
*	*	*			



Reference in this Catalogue to other manufactures and to part numbers and other descriptions are for identification purposes only, because the above DISC BRAKE PADS are NOT ORIGINAL but with these interchangeable.

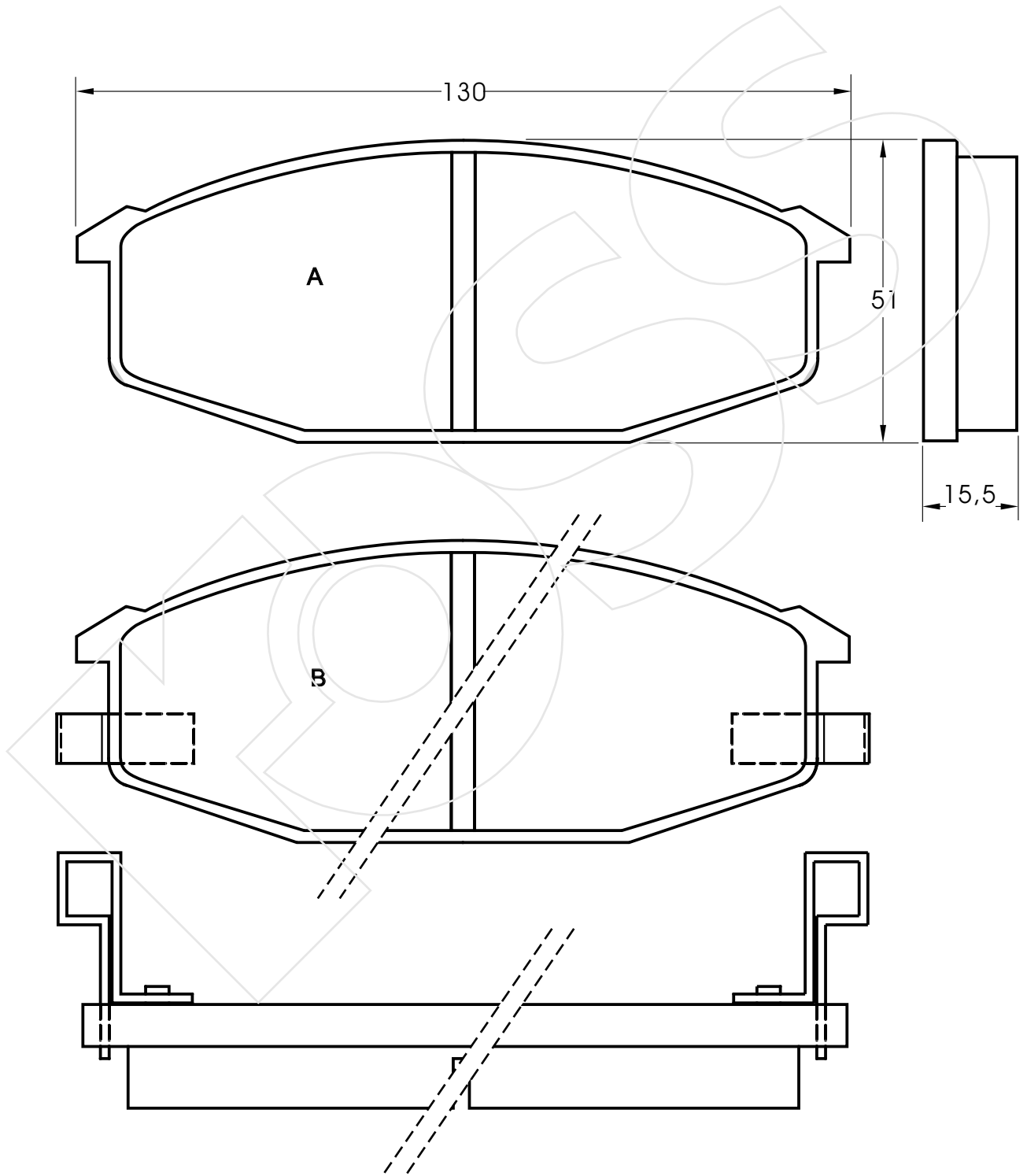


CODICE	IMPIANTO	ASSE	SCALA	APPLICAZIONI
<b>R-272</b>	AKEBONO	ANTERIORE	1:1	TOYOTA
CODICE COMPONENTI	N°	L(mm)	SERIE	
*	*	*	2 PEZZI TIPO A	
F0025	2	*	2 PEZZI TIPO B	
*	*			
CODICE ACCESSORI	N°	L(mm)	NOTE	
*	*			
*	*			
*	*			
*	*			



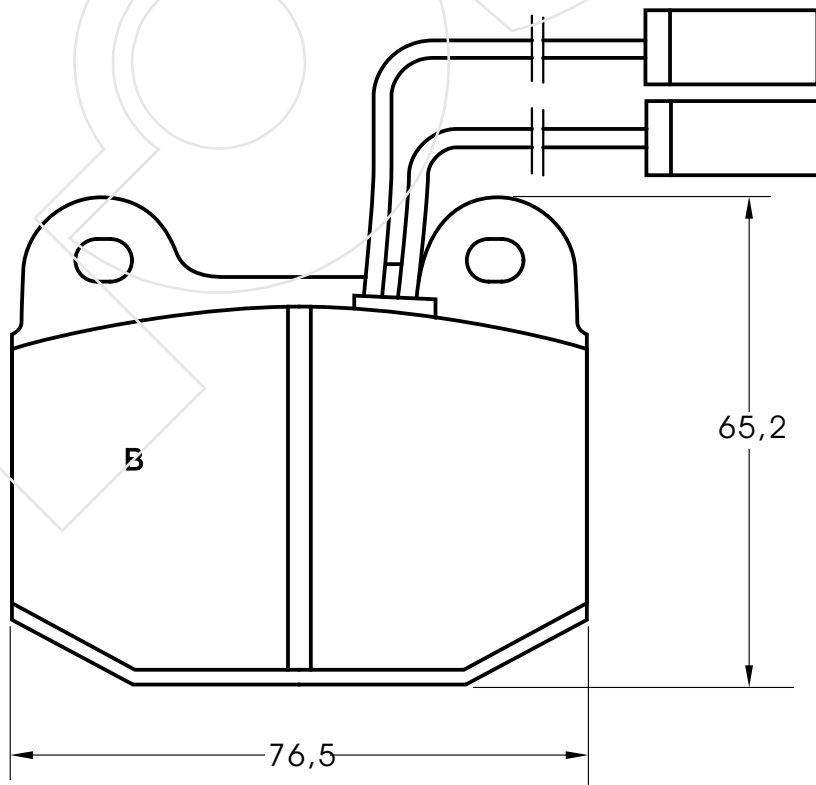
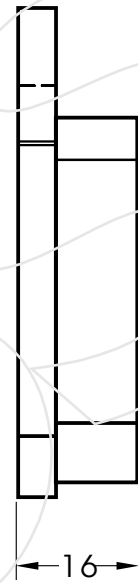
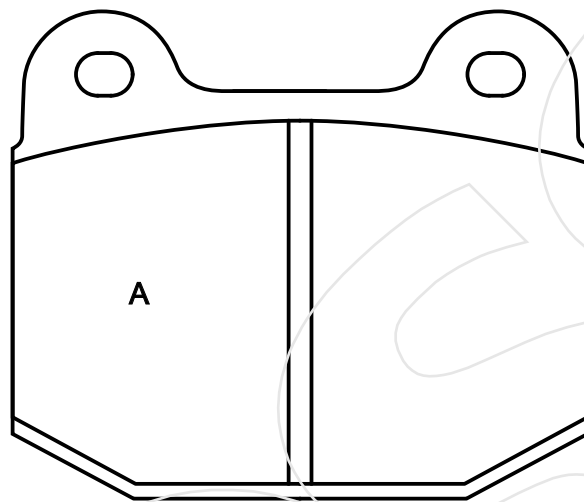
Reference in this Catalogue to other manufactures and to part numbers and other descriptions are for identification purposes only, because the above DISC BRAKE PADS are NOT ORIGINAL but with these interchangeable.

CODICE	IMPIANTO	ASSE	SCALA	APPLICAZIONI
<b>R-273</b>	SUMITOMO	ANTERIORE	1:1	NISSAN-DATSUN
CODICE COMPONENTI	N°	L(mm)	SERIE	
*	*	*	2 PEZZI TIPO A	
F0026	2	*	2 PEZZI TIPO B	
*	*			
CODICE ACCESSORI	N°	L(mm)	NOTE	
*	*			
*	*			
*	*			
*	*			



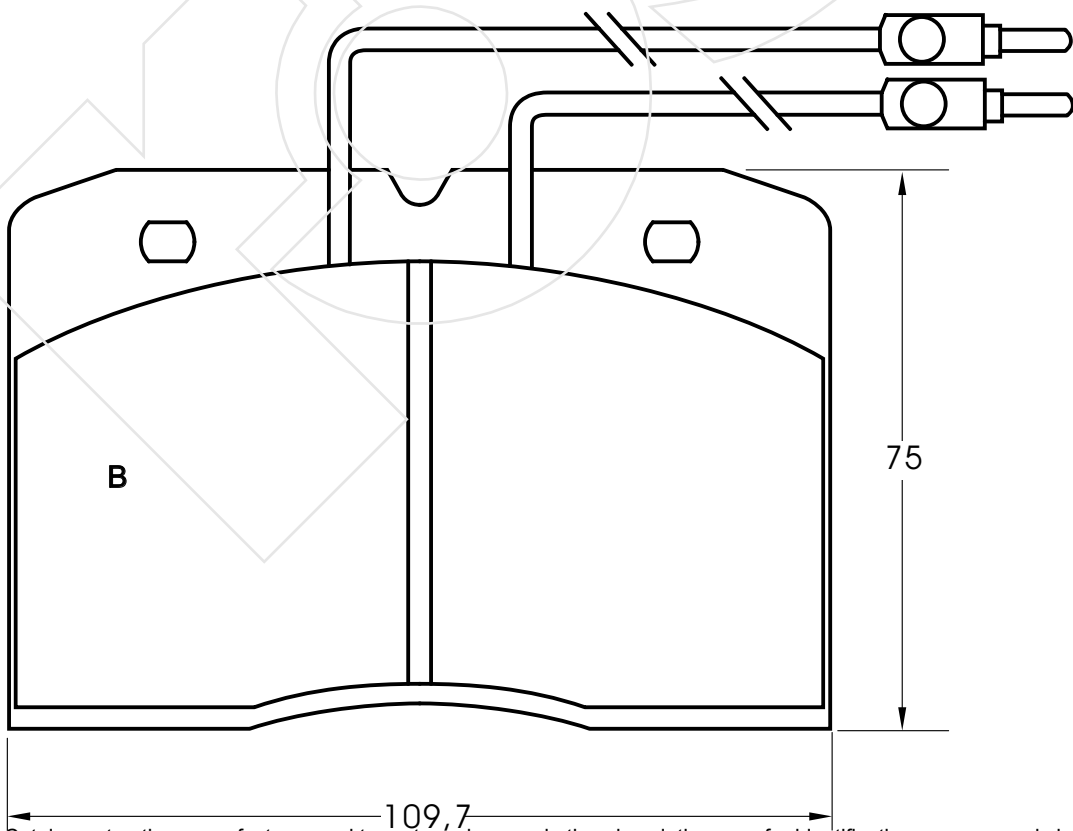
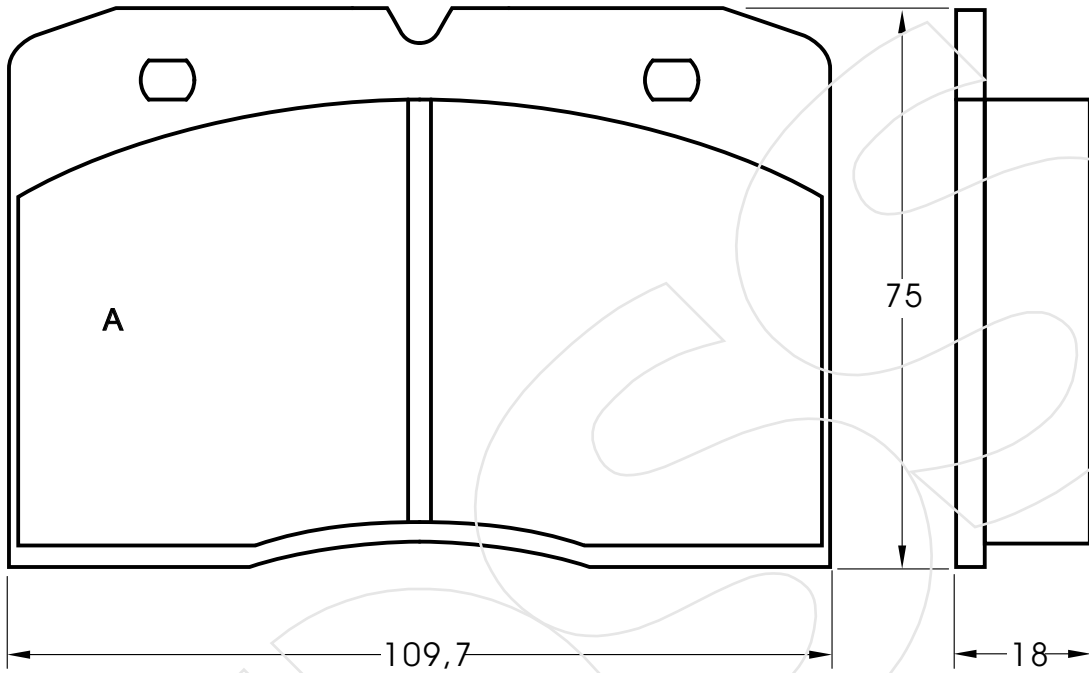
Reference in this Catalogue to other manufactures and to part numbers and other descriptions are for identification purposes only, because the above DISC BRAKE PADS are NOT ORIGINAL but with these interchangeable.

CODICE	IMPIANTO	ASSE	SCALA	APPLICAZIONI
<b>R-274</b>	ATE	ANTERIORE	1:1	ALFAROMEO
CODICE COMPONENTI	N°	L(mm)	SERIE	
*	*	*	2 PEZZI TIPO A	
F3026	2	800	2 PEZZI TIPO B	
*	*	*		
CODICE ACCESSORI	N°	L(mm)	NOTE	
*	*	*		
*	*	*		
*	*	*		
*	*	*		



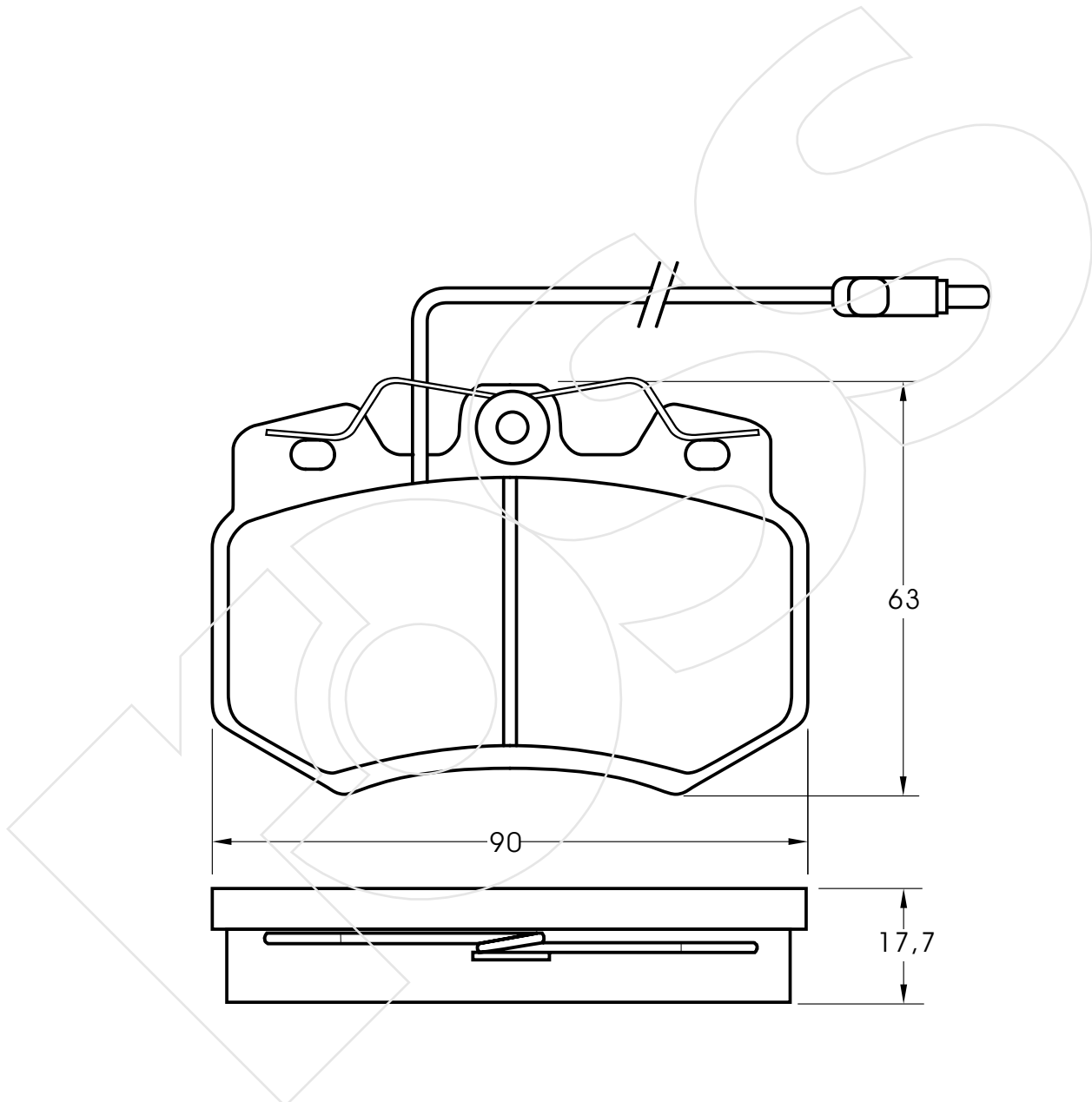
Reference in this Catalogue to other manufactures and to part numbers and other descriptions are for identification purposes only, because the above DISC BRAKE PADS are NOT ORIGINAL but with these interchangeable.

CODICE	IMPIANTO	ASSE	SCALA	APPLICAZIONI
<b>R-275</b>	BREMO	ANTERIORE	1:1	ALFAROMEO IVECO RENAULT
CODICE COMPONENTI	N°	L(mm)	SERIE	
*	*	*	2 PEZZI TIPO A	
F3003+F3005	2+2	140/200	2 PEZZI TIPO B	
*	*	*		
CODICE ACCESSORI	N°	L(mm)	NOTE	
*	*	*		
*	*	*		
*	*	*		
*	*	*		



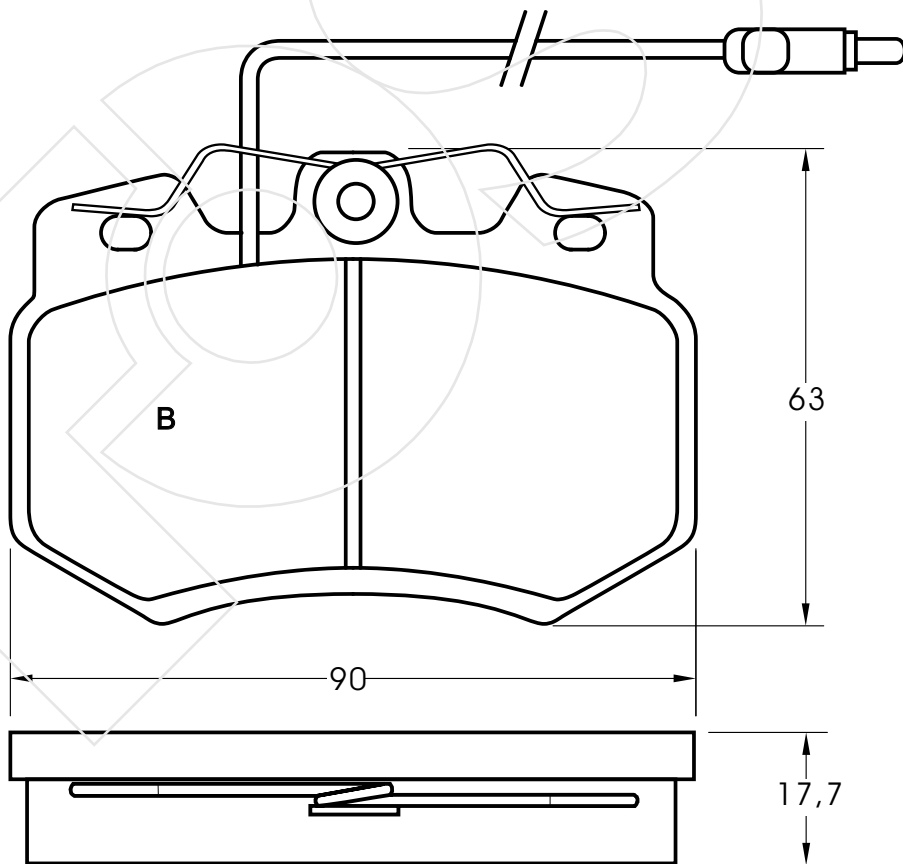
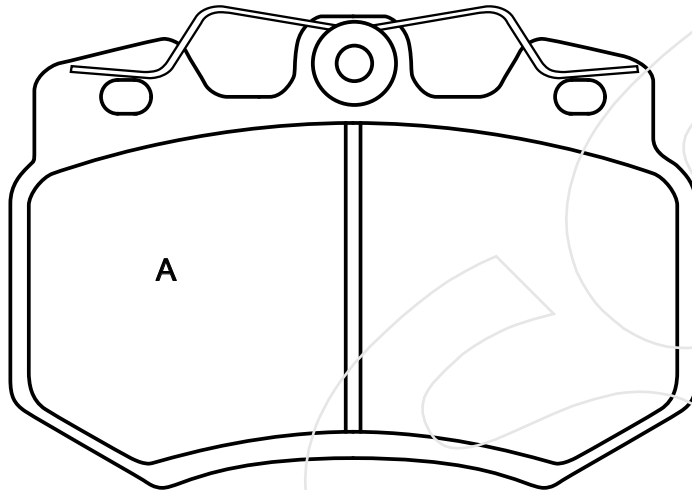
Reference in this Catalogue to other manufactures and to part numbers and other descriptions are for identification purposes only, because the above DISC BRAKE PADS are NOT ORIGINAL but with these interchangeable.

CODICE	IMPIANTO	ASSE	SCALA	APPLICAZIONI
<b>R-276-1</b>	GIRLING	ANTERIORE	1:1	CITROEN PEUGEOT
CODICE COMPONENTI	N°	L(mm)	SERIE	
M0028+P1001+F3006	4+4+4	220	4 PEZZI	
*	*	*		
CODICE ACCESSORI	N°	L(mm)	NOTE	
*	*	*		
*	*	*		
*	*	*		
*	*	*		



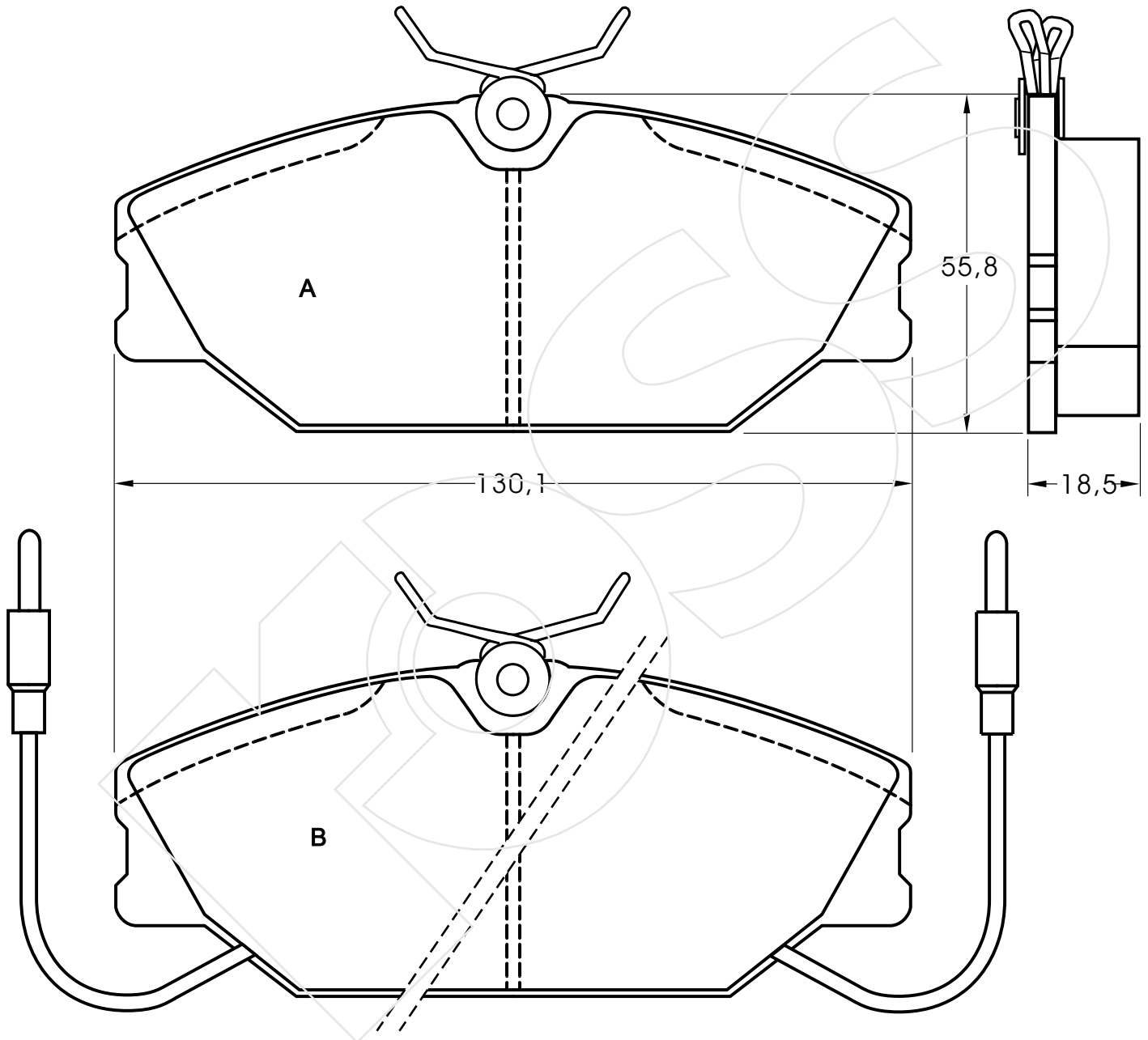
Reference in this Catalogue to other manufactures and to part numbers and other descriptions are for identification purposes only, because the above DISC BRAKE PADS are NOT ORIGINAL but with these interchangeable.

CODICE	IMPIANTO	ASSE	SCALA	APPLICAZIONI
<b>R-276</b>	GIRLING	ANTERIORE	1:1	PEUGEOT
CODICE COMPONENTI	N°	L(mm)	SERIE	
M0028+P1001	2+2	*	2 PEZZI TIPO A	
M0028+P1001+F3006	2+2+2	220	2 PEZZI TIPO B	
*	*			
CODICE ACCESSORI	N°	L(mm)	NOTE	
*	*			
*	*			
*	*			
*	*			



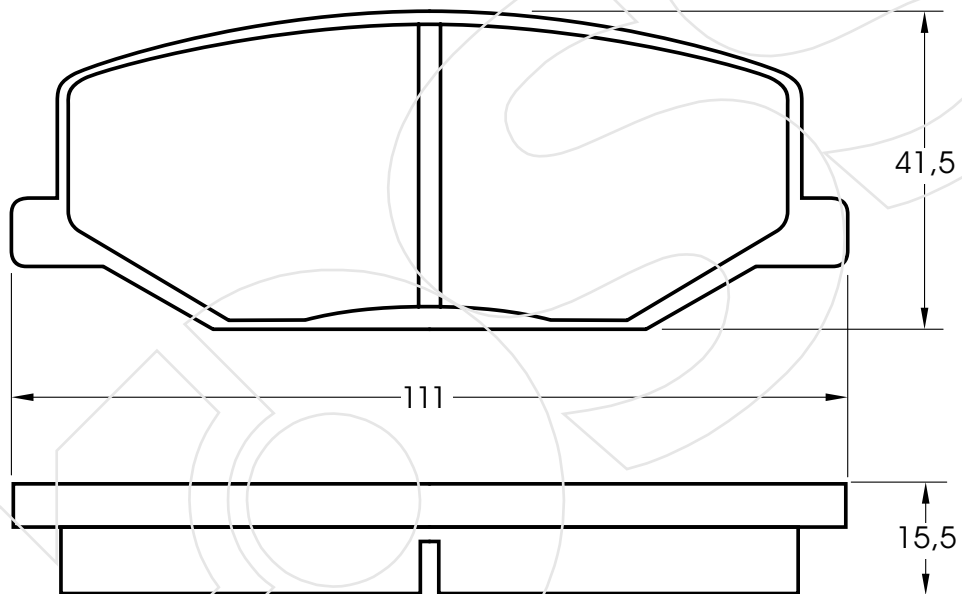
Reference in this Catalogue to other manufactures and to part numbers and other descriptions are for identification purposes only, because the above DISC BRAKE PADS are NOT ORIGINAL but with these interchangeable.

CODICE	IMPIANTO	ASSE	SCALA	APPLICAZIONI
<b>R-277</b>	GIRLING	ANTERIORE	1:1	RENAULT
CODICE COMPONENTI	N°	L(mm)	SERIE	
M0015+P1004	2+2	*	2 PEZZI TIPO A	
M0015+P1004+F3006	2+2+2	220	2 PEZZI TIPO B	
*	*			
CODICE ACCESSORI	N°	L(mm)	NOTE	
*	*			
*	*			
*	*			
*	*			



Reference in this Catalogue to other manufactures and to part numbers and other descriptions are for identification purposes only, because the above DISC BRAKE PADS are NOT ORIGINAL but with these interchangeable.

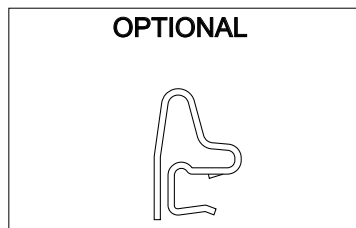
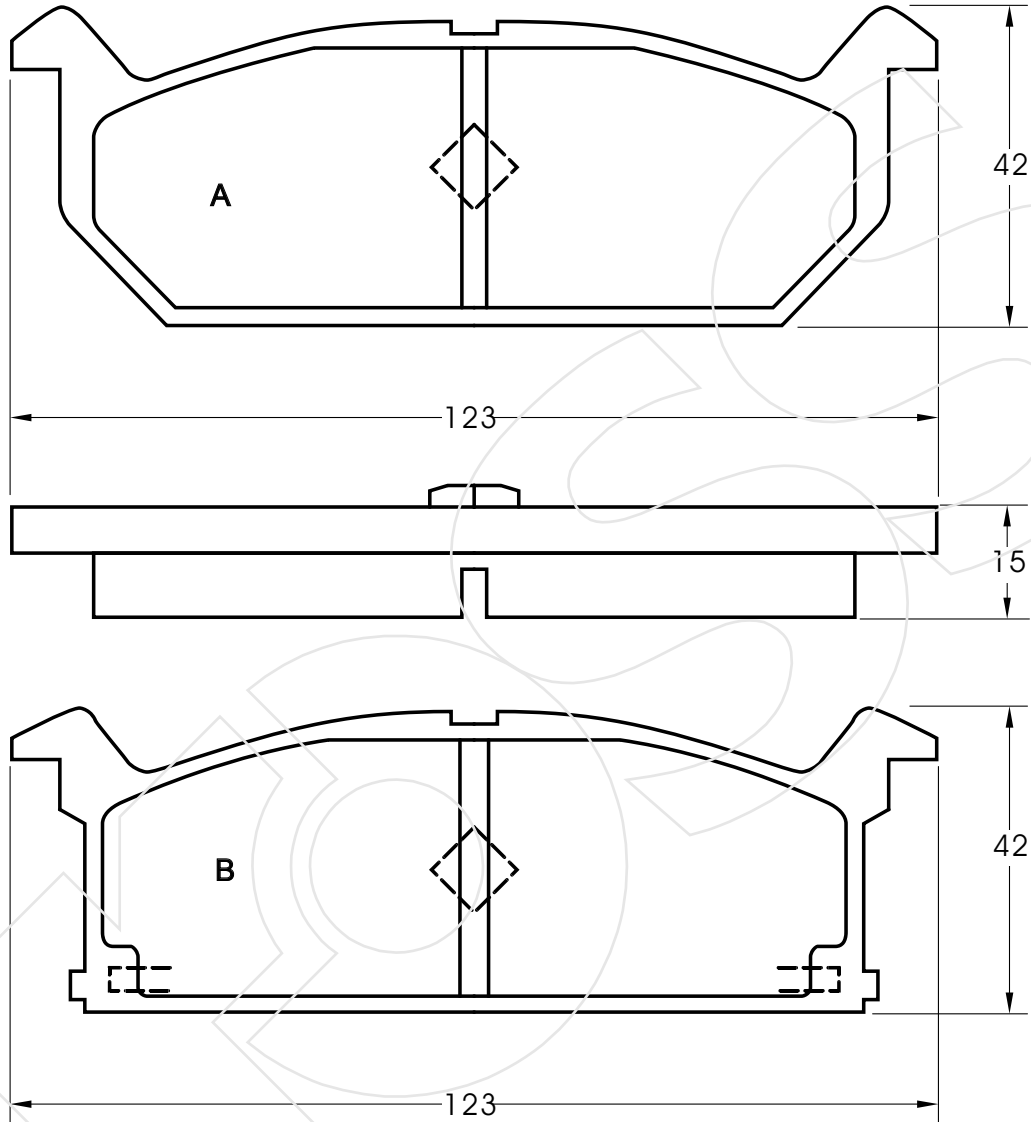
CODICE	IMPIANTO	ASSE	SCALA	APPLICAZIONI
<b>R-278</b>	SUMITOMO	ANTERIORE	1:1	SUZUKI
CODICE COMPONENTI	N°	L(mm)	SERIE	
*	*	*	4 PEZZI	
*	*	*		
*	*	*		
*	*	*		
CODICE ACCESSORI	N°	L(mm)	NOTE	
*	*	*		
*	*	*		
*	*	*		
*	*	*		



Reference in this Catalogue to other manufactures and to part numbers and other descriptions are for identification purposes only, because the above DISC BRAKE PADS are NOT ORIGINAL but with these interchangeable.

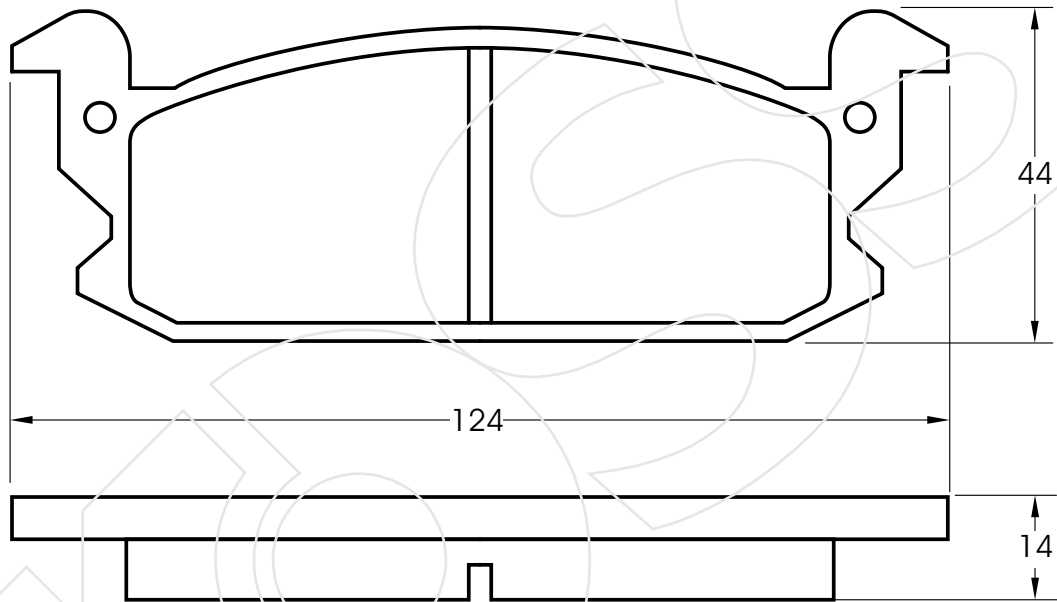


CODICE	IMPIANTO	ASSE	SCALA	APPLICAZIONI
<b>R-279</b>	AKEBONO	ANTERIORE	1:1	SUZUKI
CODICE COMPONENTI	N°	L(mm)	SERIE	
*	*	*	2 PEZZI TIPO A	
*	*	*	2 PEZZI TIPO B	
*	*	*	*	
*	*	*	*	
OPTIONAL	N°	L(mm)	NOTE	
M0023	4	*		
*	*	*		
*	*	*		
*	*	*		



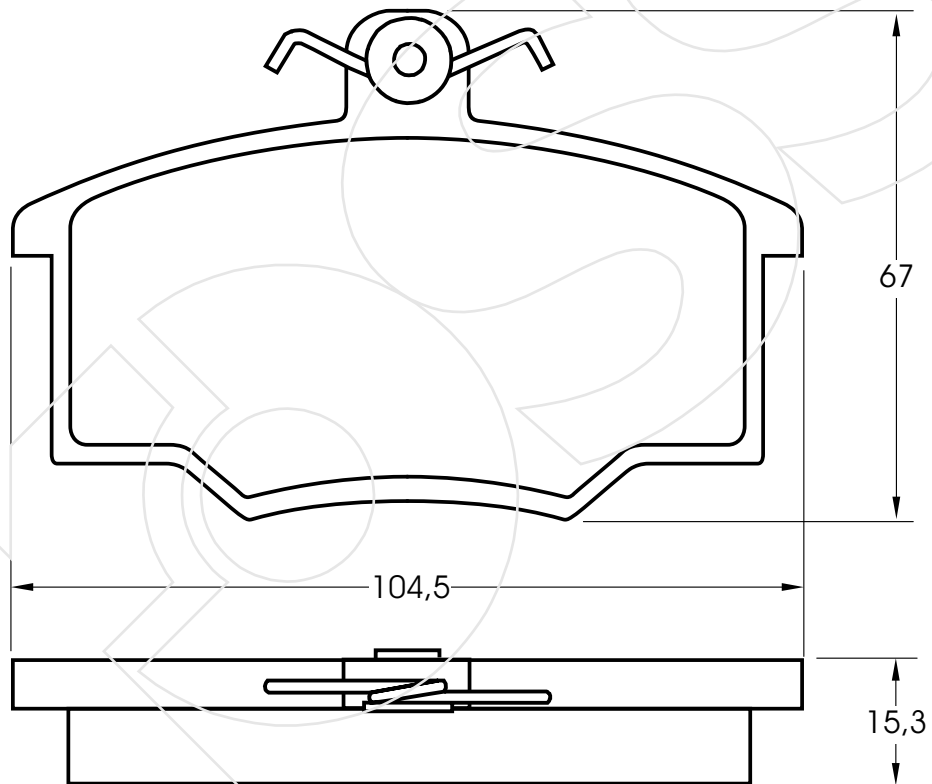
Reference in this Catalogue to other manufactures and to part numbers and other descriptions are for identification purposes only, because the above DISC BRAKE PADS are NOT ORIGINAL but with these interchangeable.

CODICE	IMPIANTO		ASSE	SCALA	APPLICAZIONI
<b>R-280</b>	AKEBONO		ANTERIORE	1:1	DAIHATSU
CODICE COMPONENTI	N°	L(mm)	SERIE		
*	*	*	4 PEZZI		
*	*	*			
*	*	*			
*	*	*			
CODICE ACCESSORI	N°	L(mm)	NOTE		
*	*	*			
*	*	*			
*	*	*			
*	*	*			



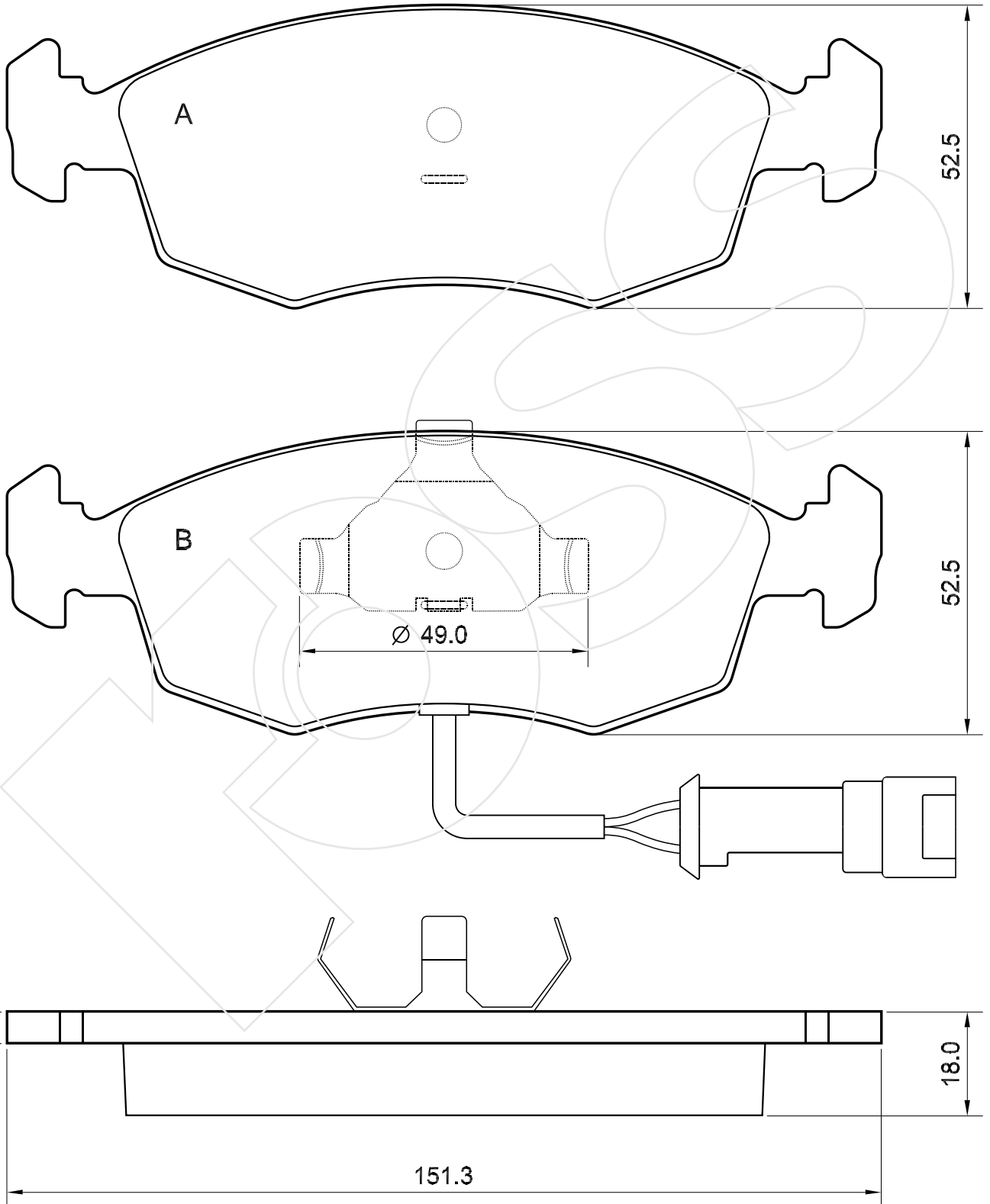
Reference in this Catalogue to other manufactures and to part numbers and other descriptions are for identification purposes only, because the above DISC BRAKE PADS are NOT ORIGINAL but with these interchangeable.

CODICE	IMPIANTO		ASSE	SCALA	APPLICAZIONI
<b>R-281</b>	GIRLING		ANTERIORE	1:1	AUDI
CODICE COMPONENTI	N°	L(mm)	SERIE		
M0077+P1012	4+4	*	4 PEZZI		
*	*	*			
*	*	*			
*	*	*			
CODICE ACCESSORI	N°	L(mm)	NOTE		
*	*	*			
*	*	*			
*	*	*			
*	*	*			



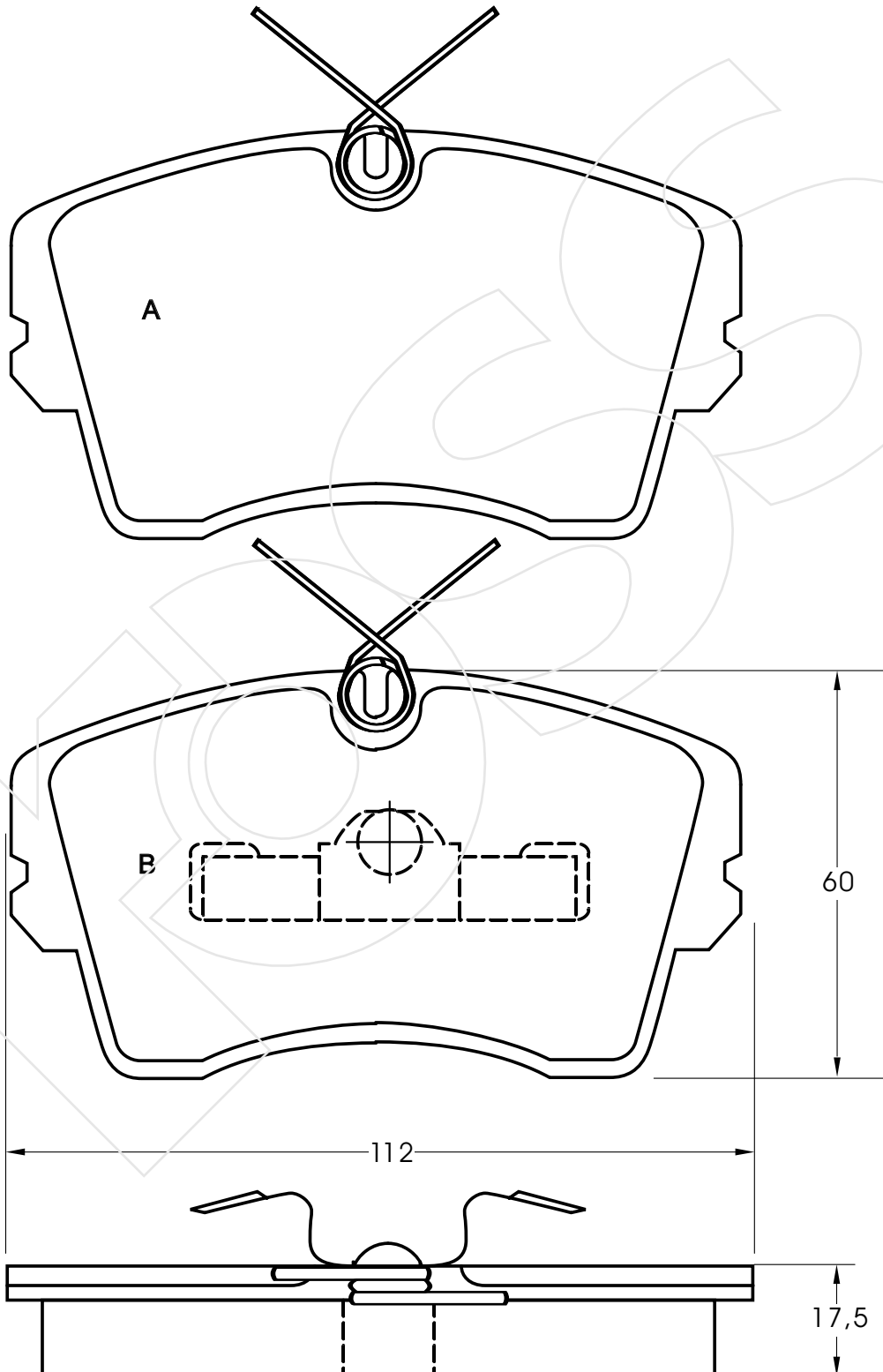
Reference in this Catalogue to other manufactures and to part numbers and other descriptions are for identification purposes only, because the above DISC BRAKE PADS are NOT ORIGINAL but with these interchangeable.

CODICE	IMPIANTO		ASSE	SCALA	APPLICAZIONI
<b>R-282</b>	ATE		ANTERIORE	100%	FORD MERCURY
CODICE COMPONENTI	N°	L(mm)	SERIE		
*	*	*	2 PEZZI TIPO A		
M0029+P1002+F3023	2+2+2	250	2 PEZZI TIPO B		
*	*	*	*		
*	*	*	*		
CODICE ACCESSORI	N°	L(mm)	NOTE		
*	*	*			
*	*	*			
*	*	*			
*	*	*			



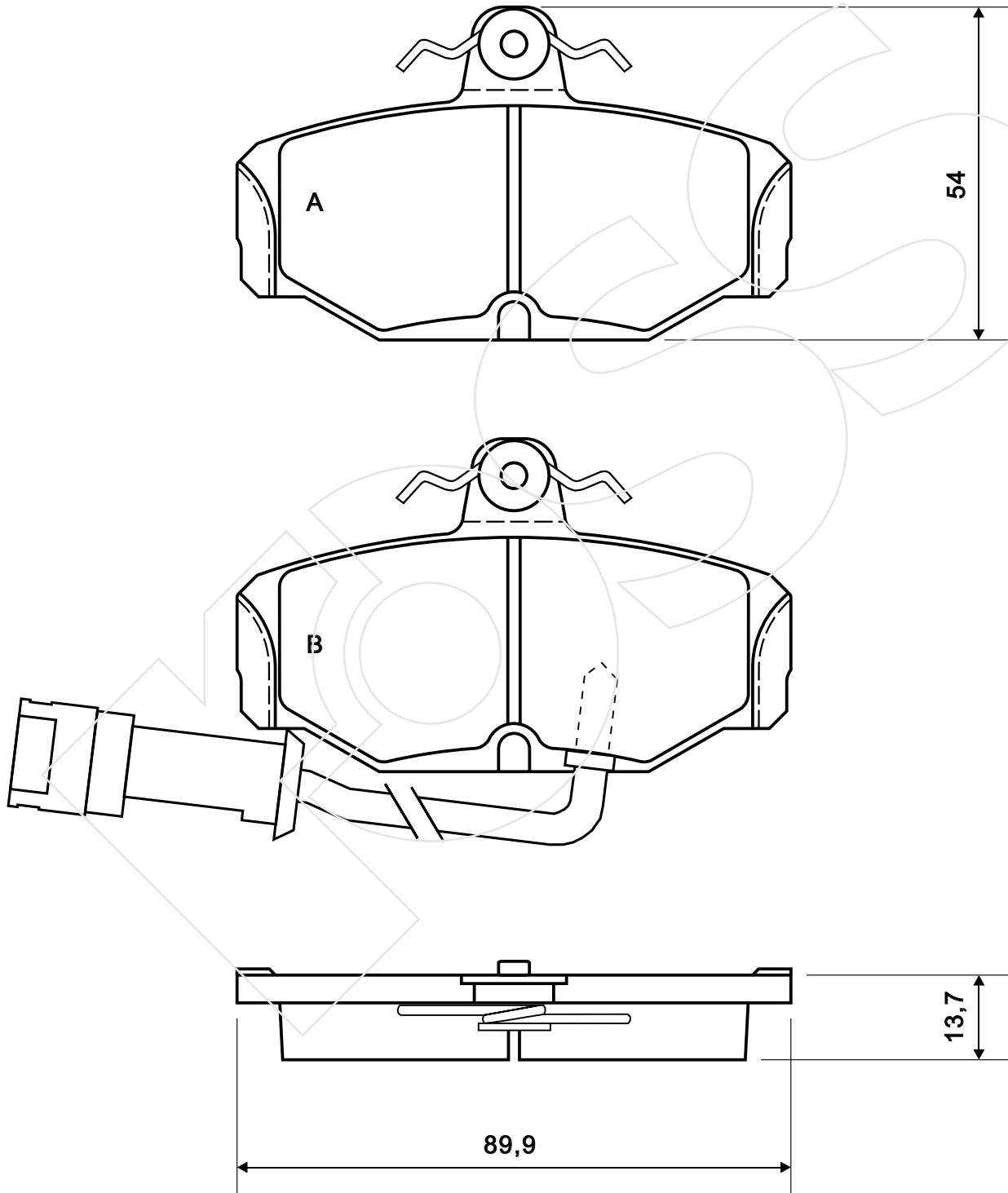
Reference in this Catalogue to other manufactures and to part numbers and other descriptions are for identification purposes only, because the above DISC BRAKE PADS are NOT ORIGINAL but with these interchangeable.

CODICE	IMPIANTO		ASSE	SCALA	APPLICAZIONI
<b>R-283</b>	ATE		ANTERIORE	1:1	OPEL
CODICE COMPONENTI	N°	L(mm)	SERIE		
M0046	2	*	2 PEZZI TIPO A		
M0046+M0112+P1002	2+2+2	*	2 PEZZI TIPO B		
*	*				
CODICE ACCESSORI	N°	L(mm)	NOTE		
*	*				
*	*				
*	*				
*	*				



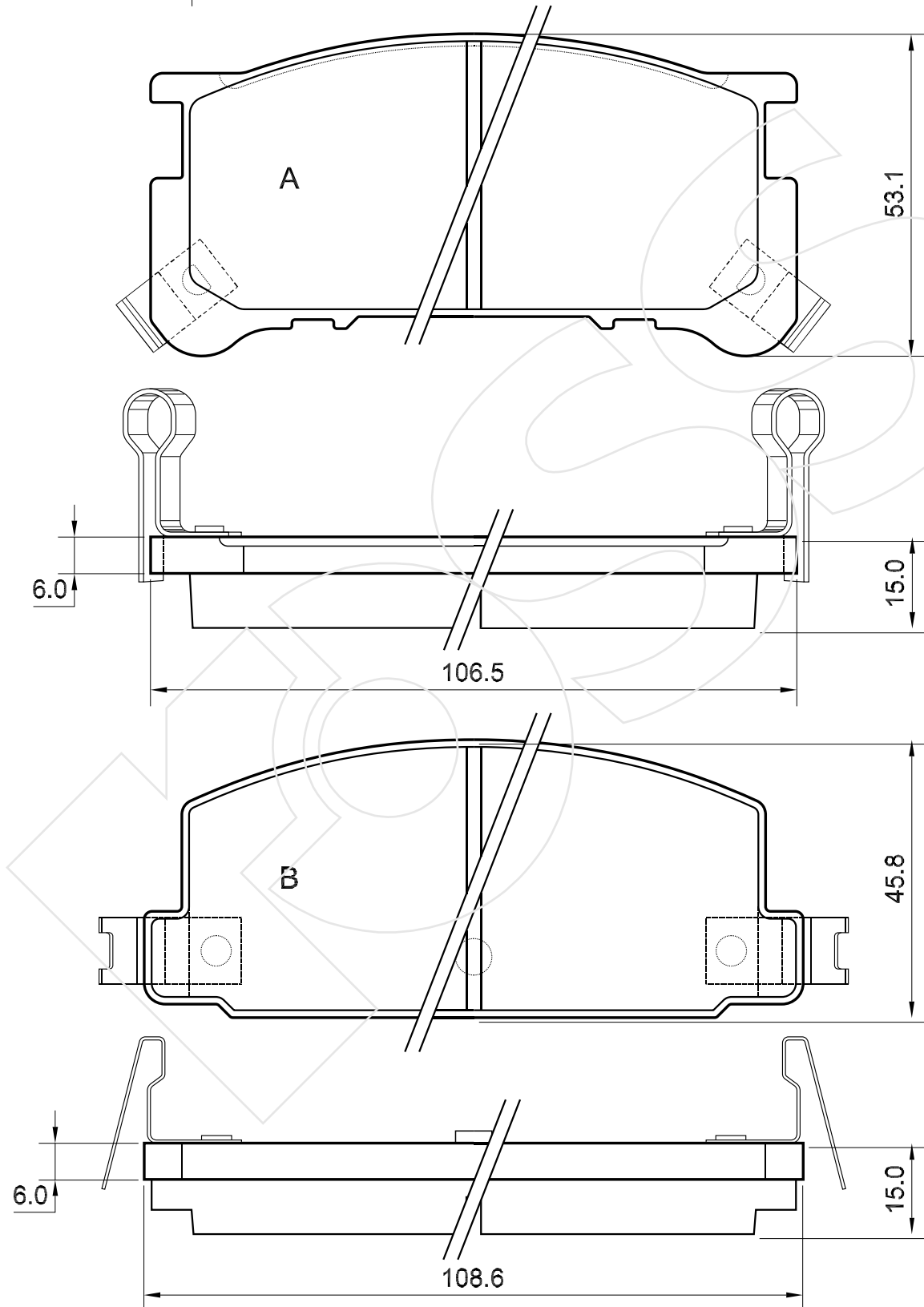
Reference in this Catalogue to other manufactures and to part numbers and other descriptions are for identification purposes only, because the above DISC BRAKE PADS are NOT ORIGINAL but with these interchangeable.

CODICE	IMPIANTO	ASSE	SCALA	APPLICAZIONI
<b>R-284</b>	GIRLING	POSTERIORE	1:1	FORD
CODICE COMPONENTI	N°	L(mm)	SERIE	
M0030	2		2 PEZZI TIPO A	
M0030+F3023	2+2	250	2 PEZZI TIPO B	
*	*			
CODICE ACCESSORI	N°	L(mm)	NOTE	
*	*			
*	*			
*	*			
*	*			



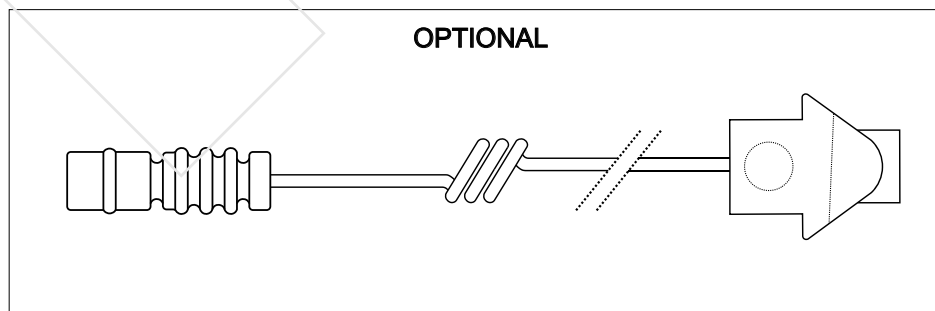
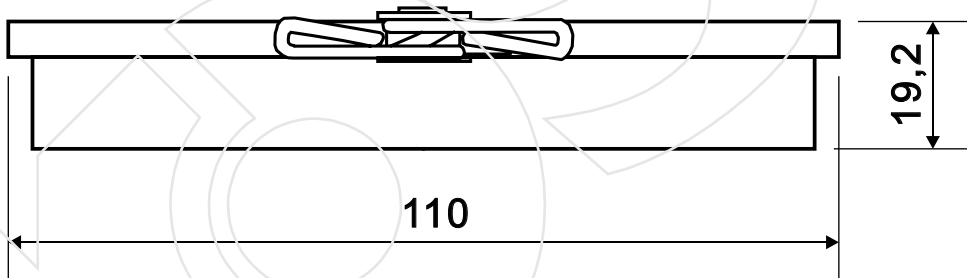
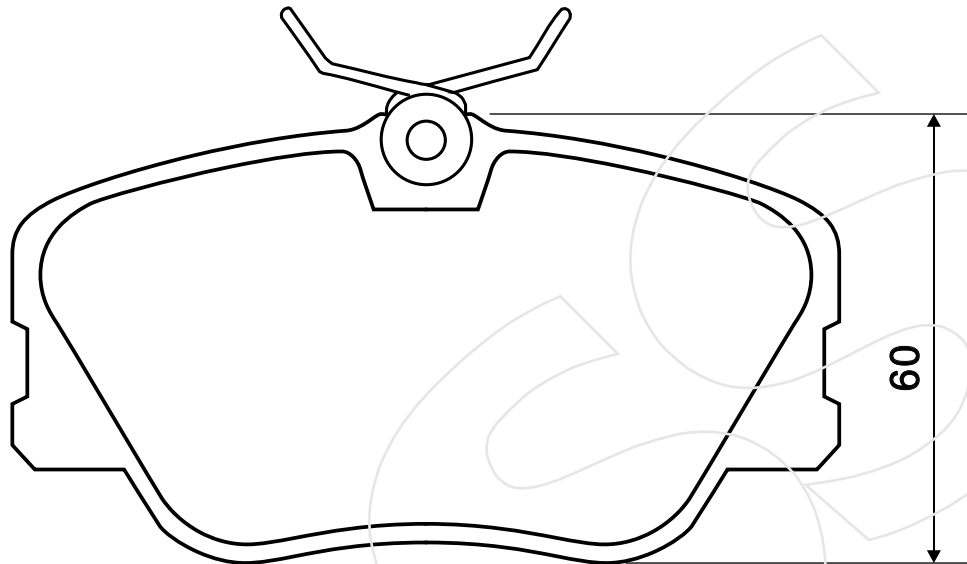
Reference in this Catalogue to other manufactures and to part numbers and other descriptions are for identification purposes only, because the above DISC BRAKE PADS are NOT ORIGINAL but with these interchangeable.

CODICE	IMPIANTO		ASSE	SCALA	APPLICAZIONI
<b>R-285</b>	AKEBONO		ANTERIORE	1:1	SUBARU
CODICE COMPONENTI	N°	L(mm)	SERIE		
M0012	2	*	2 PEZZI TIPO A		
M0031	2	*	2 PEZZI TIPO B		
*	*				
CODICE ACCESSORI	N°	L(mm)	NOTE		
*	*				
*	*				
*	*				
*	*				



Reference in this Catalogue to other manufactures and to part numbers and other descriptions are for identification purposes only, because the above DISC BRAKE PADS are NOT ORIGINAL but with these interchangeable.

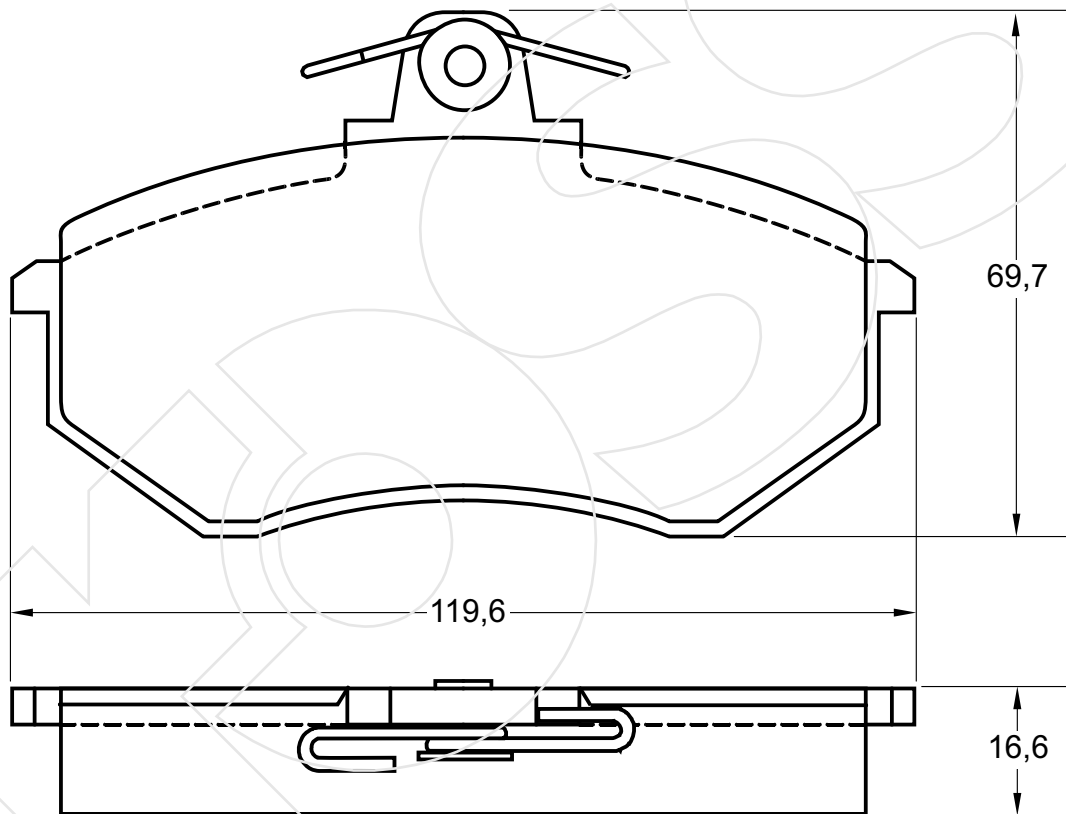
CODICE	IMPIANTO	ASSE	SCALA	APPLICAZIONI
<b>R-286</b>	GIRLING	ANTERIORE	1:1	MERCEDES
CODICE COMPONENTI	N°	L(mm)	SERIE	
M0015+P1004	4+4	*	4 PEZZI	
*	*	*	*	
*	*	*	*	
*	*	*	*	
OPTIONAL	N°	L(mm)	NOTE	
F3086	2	200	*	
*	*	*	*	
*	*	*	*	
*	*	*	*	



Reference in this Catalogue to other manufactures and to part numbers and other descriptions are for identification purposes only, because the above DISC BRAKE PADS are NOT ORIGINAL but with these interchangeable.

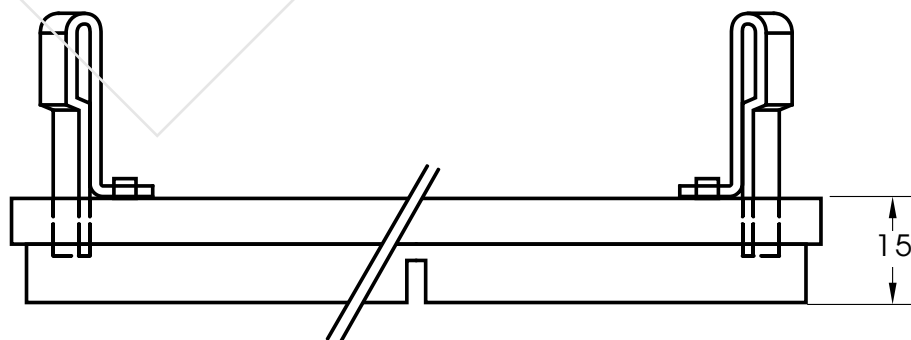
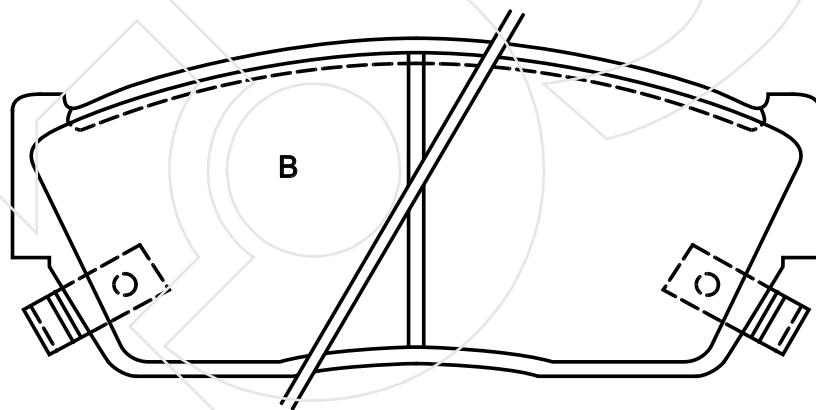
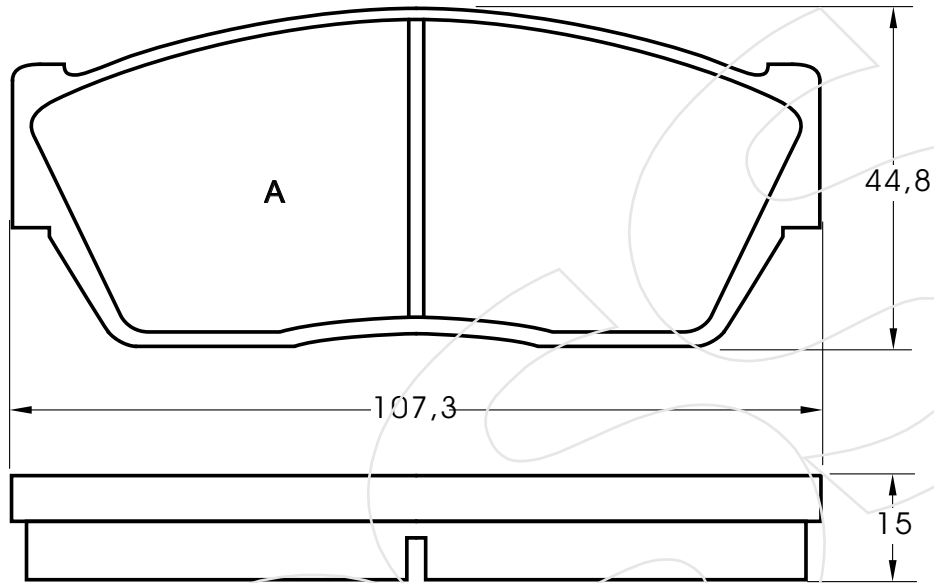


CODICE	IMPIANTO		ASSE	SCALA	APPLICAZIONI
<b>R-287</b>	GIRLING		ANTERIORE	1:1	AUDI
CODICE COMPONENTI	N°	L(mm)	SERIE		
M0013+P1012	4+4	*	4 PEZZI		
*	*	*			
*	*	*			
*	*	*			
CODICE ACCESSORI	N°	L(mm)	NOTE		
*	*	*			
*	*	*			
*	*	*			
*	*	*			



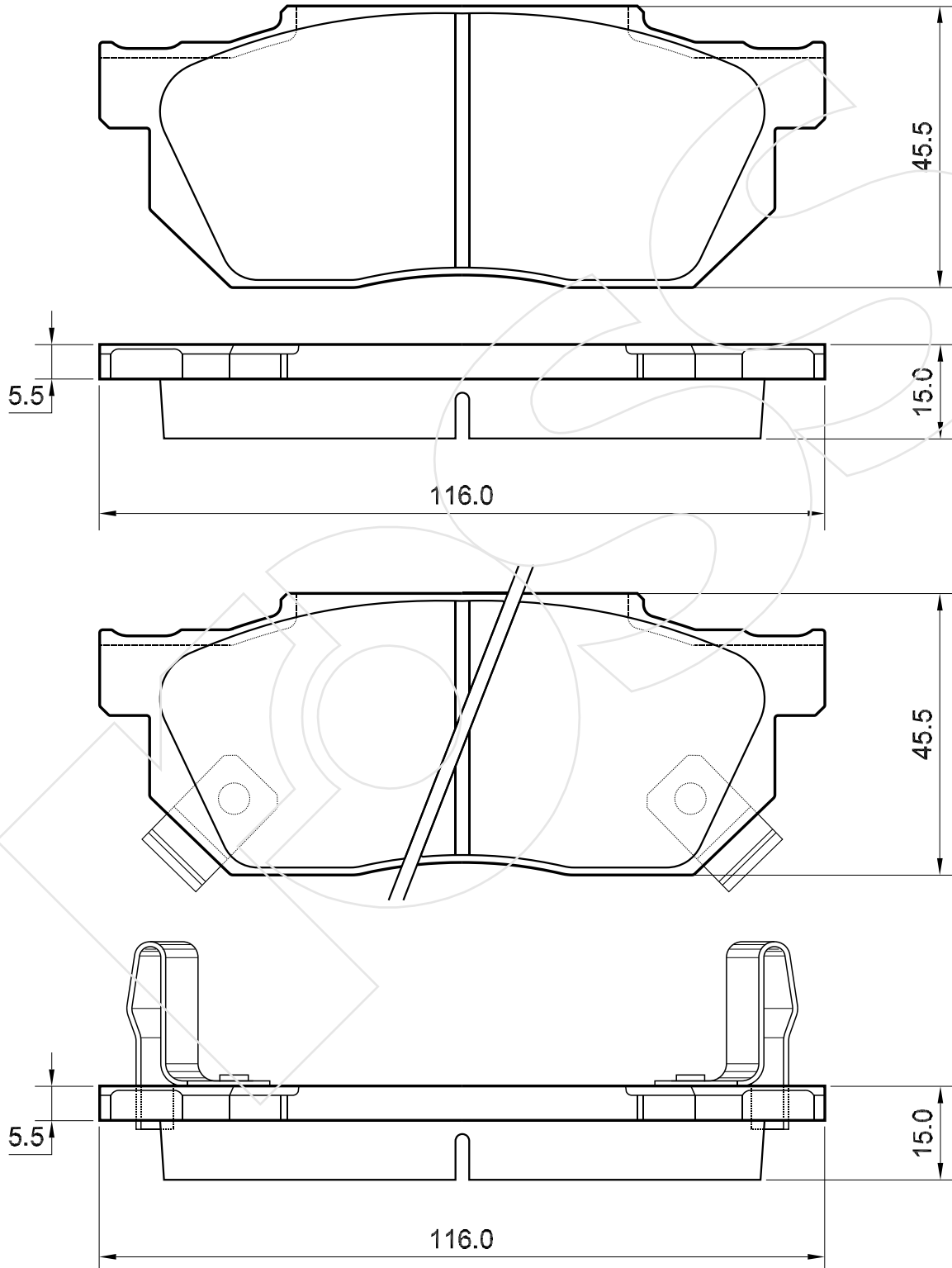
Reference in this Catalogue to other manufactures and to part numbers and other descriptions are for identification purposes only, because the above DISC BRAKE PADS are NOT ORIGINAL but with these interchangeable.

CODICE	IMPIANTO		ASSE	SCALA	APPLICAZIONI
<b>R-288</b>	SUMITOMO		ANTERIORE	1:1	HONDA
CODICE COMPONENTI	N°	L(mm)	SERIE		
*	*	*	2 PEZZI TIPO A		
M0032	2	*	2 PEZZI TIPO B		
*	*	*			
CODICE ACCESSORI	N°	L(mm)	NOTE		
*	*	*			
*	*	*			
*	*	*			
*	*	*			



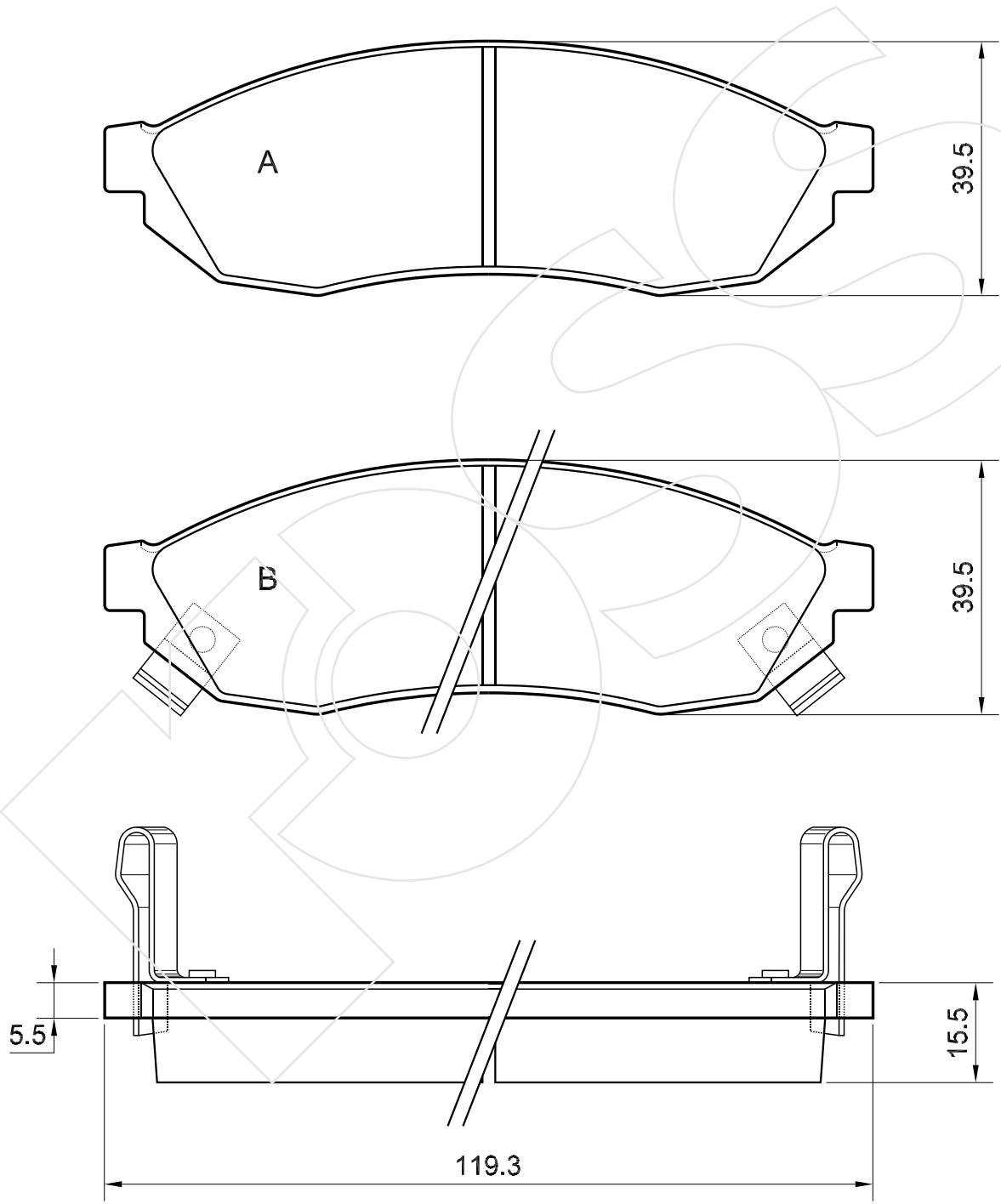
Reference in this Catalogue to other manufactures and to part numbers and other descriptions are for identification purposes only, because the above DISC BRAKE PADS are NOT ORIGINAL but with these interchangeable.

CODICE	IMPIANTO		ASSE	SCALA	APPLICAZIONI
<b>R-289</b>	AKEBONO		ANTERIORE	1:1	HONDA
CODICE COMPONENTI	N°	L(mm)	SERIE		
*	*	*	2 PEZZI TIPO A		
M0033	2	*	2 PEZZI TIPO B		
*	*				
CODICE ACCESSORI	N°	L(mm)	NOTE		
*	*				
*	*				
*	*				
*	*				



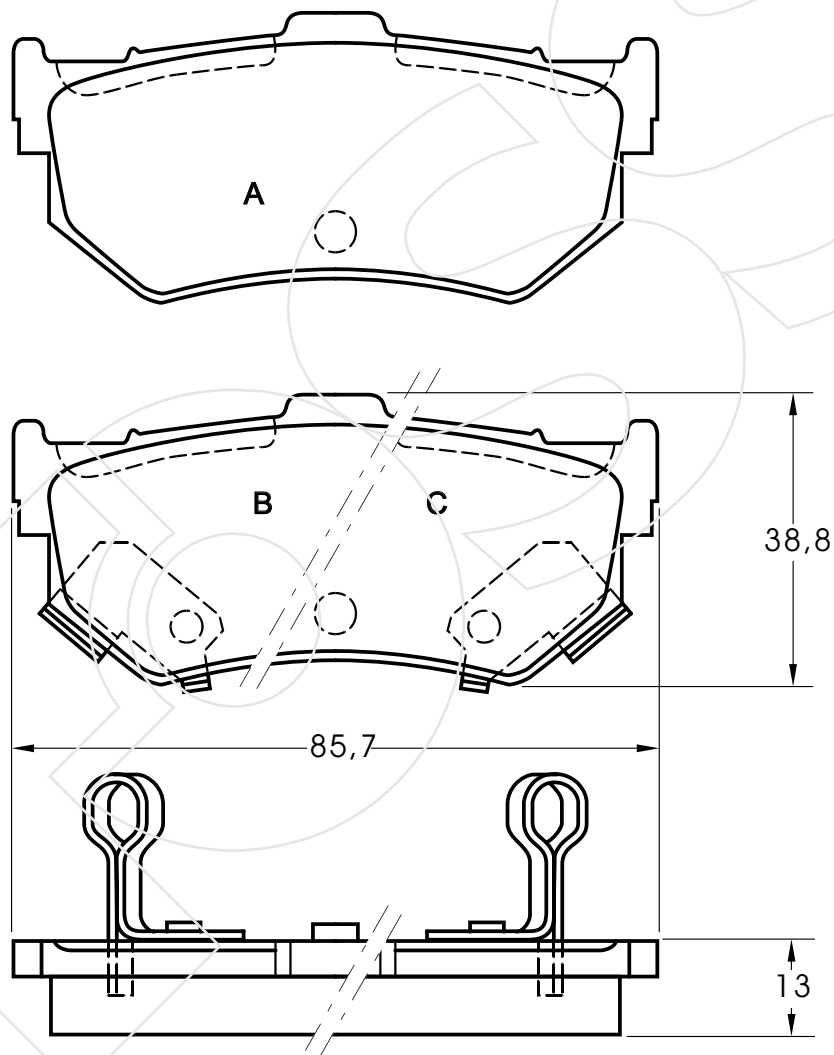
Reference in this Catalogue to other manufactures and to part numbers and other descriptions are for identification purposes only, because the above DISC BRAKE PADS are NOT ORIGINAL but with these interchangeable.

CODICE	IMPIANTO		ASSE	SCALA	APPLICAZIONI
<b>R-290</b>	SUMITOMO		ANTERIORE	1:1	HONDA
CODICE COMPONENTI	N°	L(mm)	SERIE		
*	*	*	2 PEZZI TIPO A		
M0032	2	*	2 PEZZI TIPO B		
*	*	*	*		
*	*	*	*		
CODICE ACCESSORI	N°	L(mm)	NOTE		
*	*	*	*		
*	*	*	*		
*	*	*	*		
*	*	*	*		



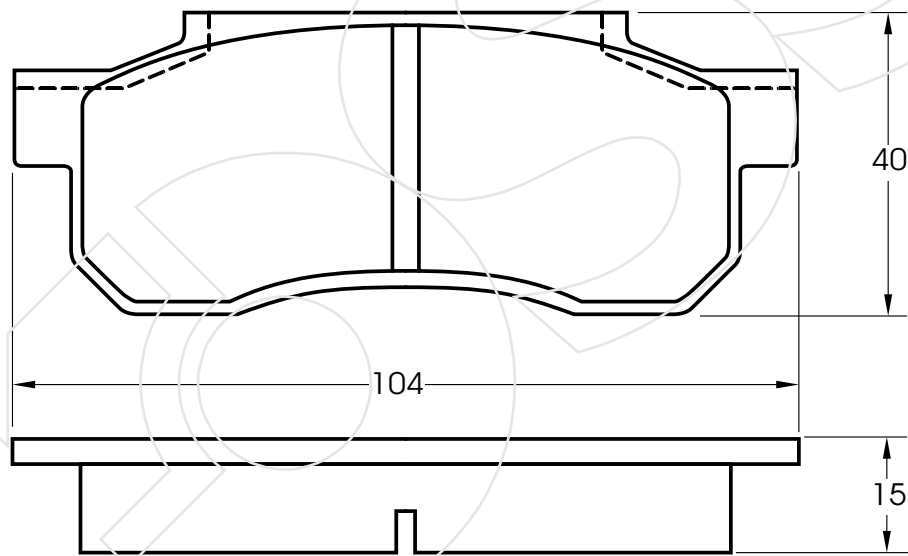
Reference in this Catalogue to other manufactures and to part numbers and other descriptions are for identification purposes only, because the above DISC BRAKE PADS are NOT ORIGINAL but with these interchangeable.

CODICE	IMPIANTO	ASSE	SCALA	APPLICAZIONI
<b>R-291</b>	AKEBONO	POSTERIORE	1:1	HONDA SUZUKI
CODICE COMPONENTI	N°	L(mm)	SERIE	
*	*	*	2 PEZZI TIPO A	
M0094	1	*	1 PEZZO TIPO B	
M0095	1		1 PEZZO TIPO C	
CODICE ACCESSORI	N°	L(mm)	NOTE	
*	*			
*	*			
*	*			
*	*			



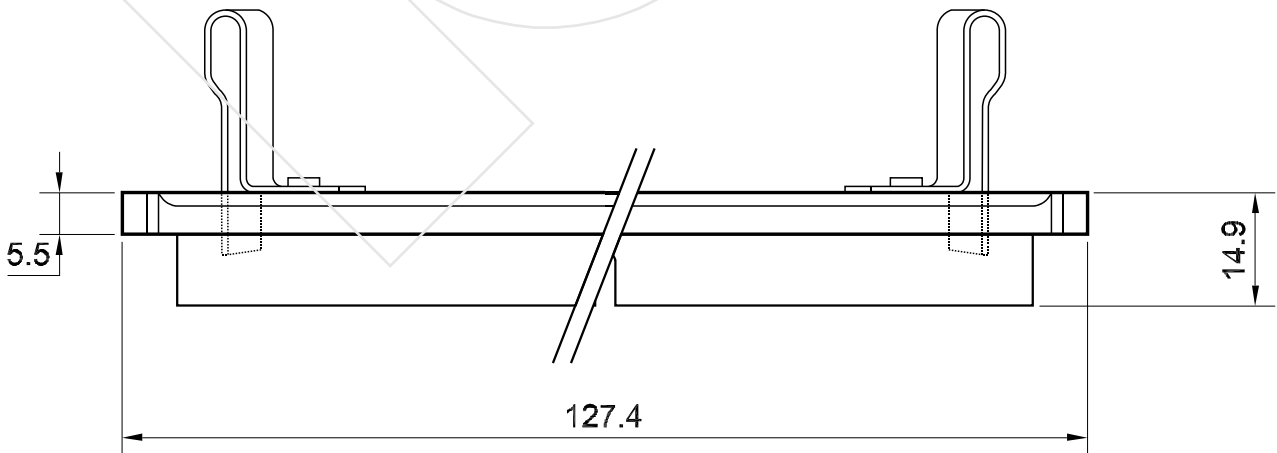
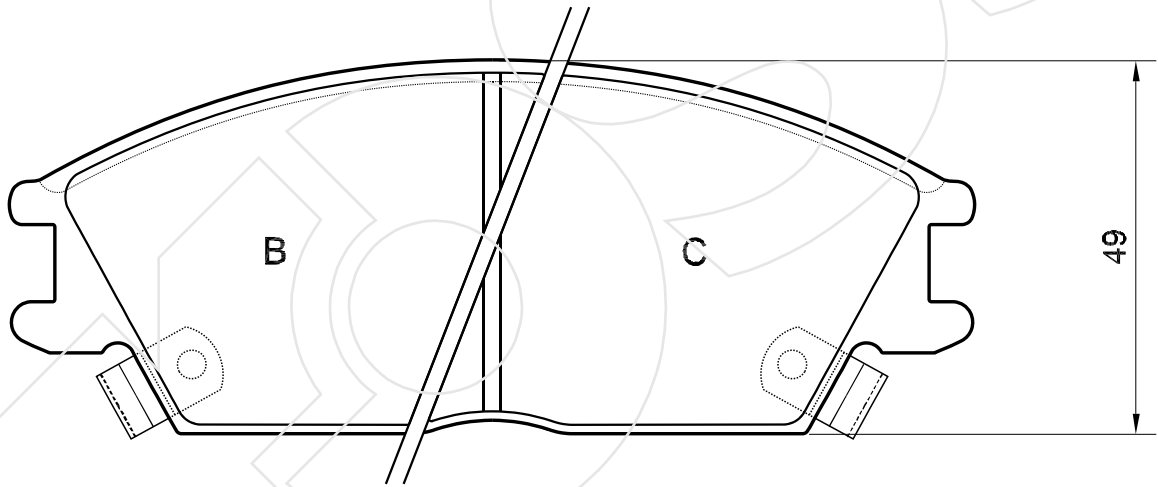
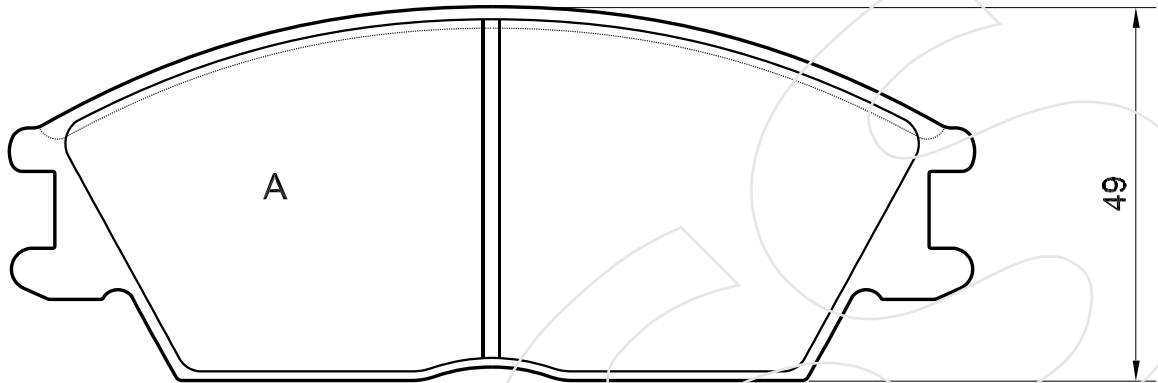
Reference in this Catalogue to other manufactures and to part numbers and other descriptions are for identification purposes only, because the above DISC BRAKE PADS are NOT ORIGINAL but with these interchangeable.

CODICE	IMPIANTO	ASSE	SCALA	APPLICAZIONI
<b>R-292</b>	AKEBONO	POSTERIORE	1:1	HONDA
CODICE COMPONENTI	N°	L(mm)	SERIE	
*	*	*	4 PEZZI	
*	*	*		
*	*	*		
*	*	*		
CODICE ACCESSORI	N°	L(mm)	NOTE	
*	*	*		
*	*	*		
*	*	*		
*	*	*		



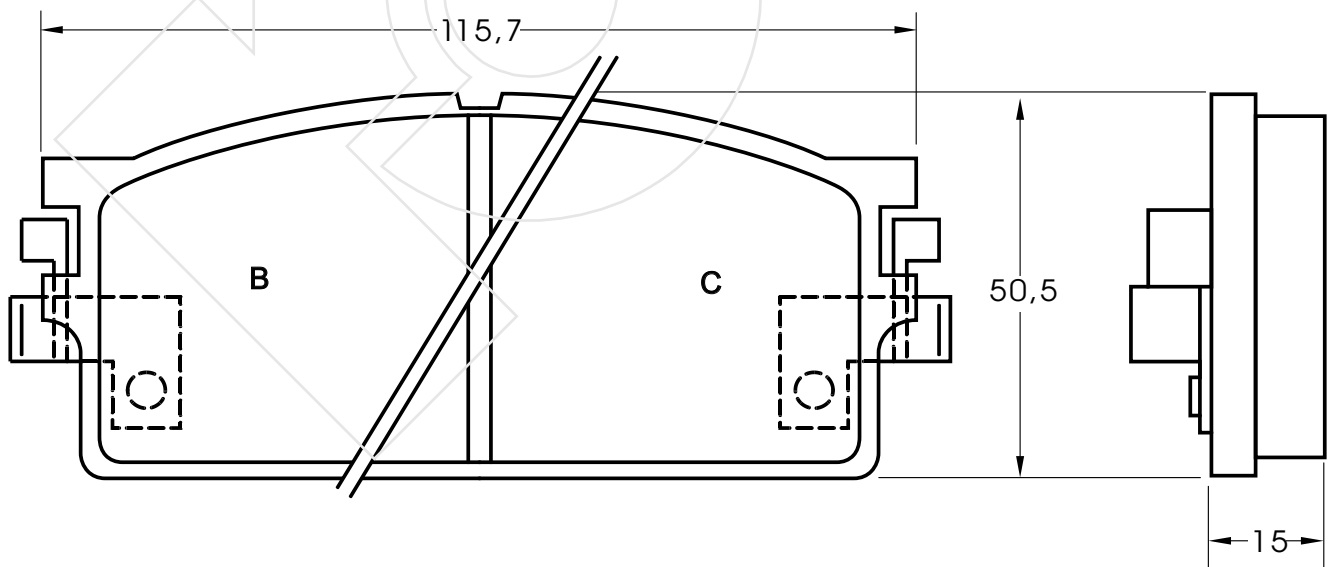
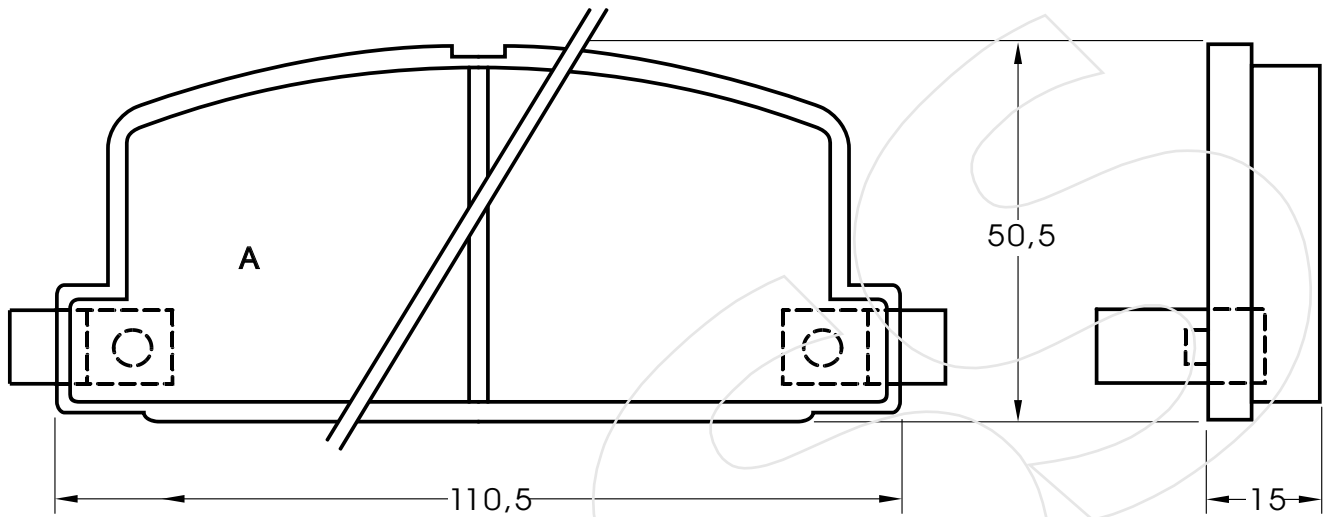
Reference in this Catalogue to other manufactures and to part numbers and other descriptions are for identification purposes only, because the above DISC BRAKE PADS are NOT ORIGINAL but with these interchangeable.

CODICE	IMPIANTO		ASSE	SCALA	APPLICAZIONI
<b>R-293</b>	AKEBONO		ANTERIORE	100%	HONDA HYUNDAI
CODICE COMPONENTI	N°	L(mm)	SERIE		
*	*	*	2 PEZZI TIPO A		
M0036	1	*	1 PEZZO TIPO B		
M0036	1	*	1 PEZZO TIPO C		
*	*	*	*		
CODICE ACCESSORI	N°	L(mm)	NOTE		
*	*	*			
*	*	*			
*	*	*			
*	*	*			



Reference in this Catalogue to other manufactures and to part numbers and other descriptions are for identification purposes only, because the above DISC BRAKE PADS are NOT ORIGINAL but with these interchangeable.

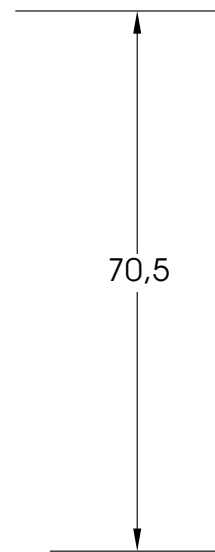
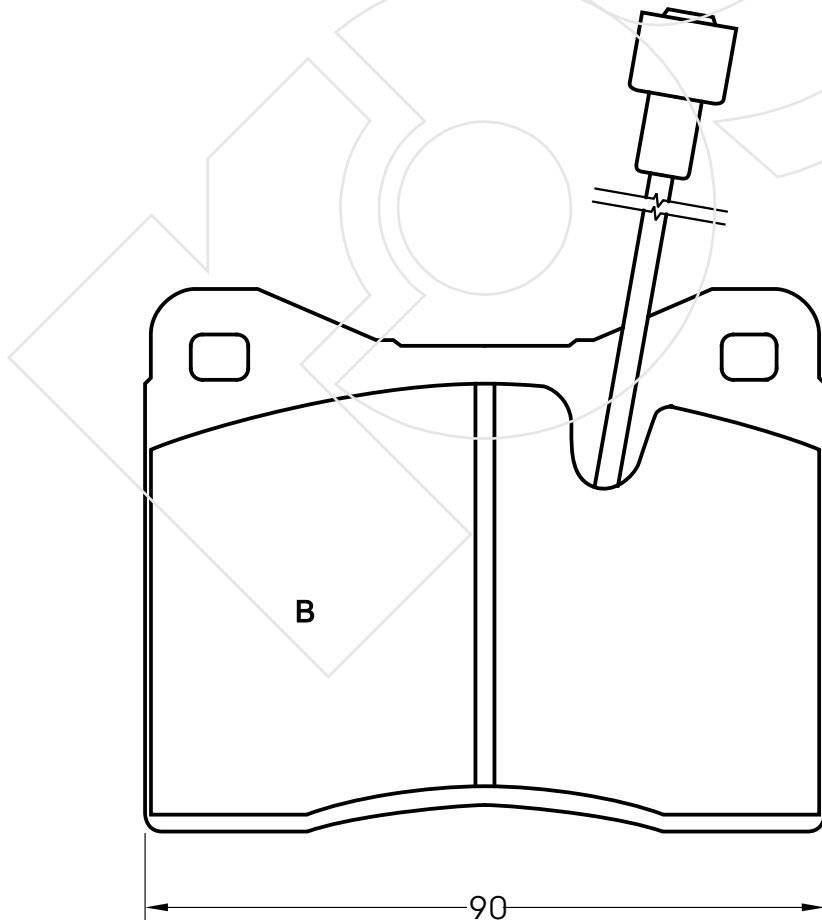
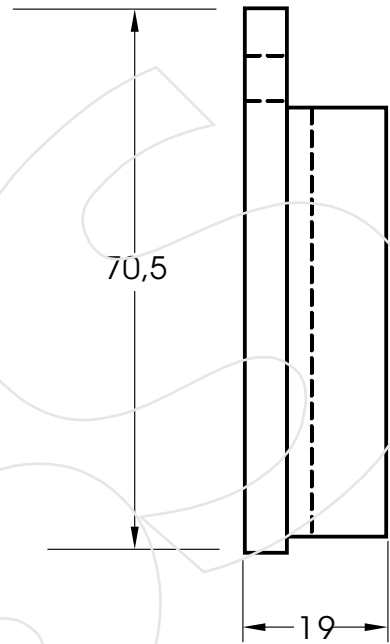
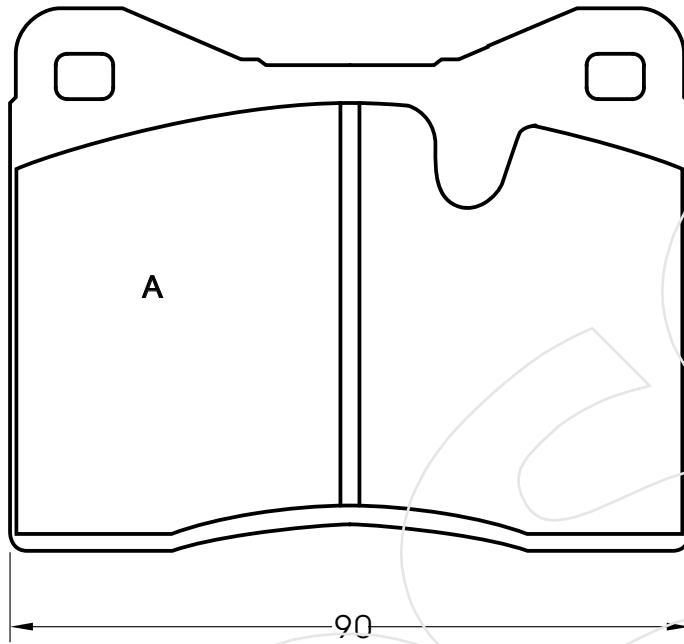
CODICE	IMPIANTO	ASSE	SCALA	APPLICAZIONI
<b>R-294</b>	AKEBONO	ANTERIORE	1:1	ISUZU VAUXHALL
CODICE COMPONENTI	N°	L(mm)	SERIE	
M0037	2	*	2 PEZZI TIPO A	
M0038	1	*	1 PEZZO TIPO B	
M0039	1		1 PEZZO TIPO C	
CODICE ACCESSORI	N°	L(mm)	NOTE	
*	*			
*	*			
*	*			
*	*			



Reference in this Catalogue to other manufactures and to part numbers and other descriptions are for identification purposes only, because the above DISC BRAKE PADS are NOT ORIGINAL but with these interchangeable.

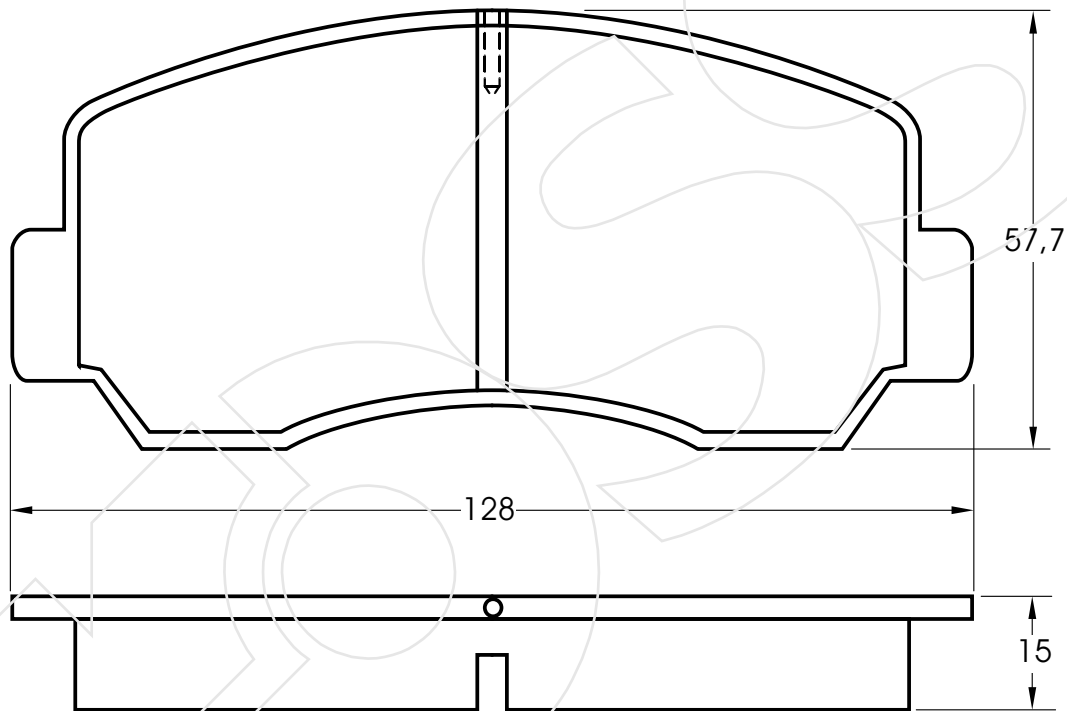


CODICE	IMPIANTO	ASSE	SCALA	APPLICAZIONI
<b>R-295</b>	ATE	ANTERIORE	1:1	MASERATI
CODICE COMPONENTI	N°	L(mm)	SERIE	
*	*	*	3 PEZZI TIPO A	
F3014	1	230	1 PEZZO TIPO B	
CODICE ACCESSORI	N°	L(mm)	NOTE	
*	*	*		
*	*	*		
*	*	*		
*	*	*		



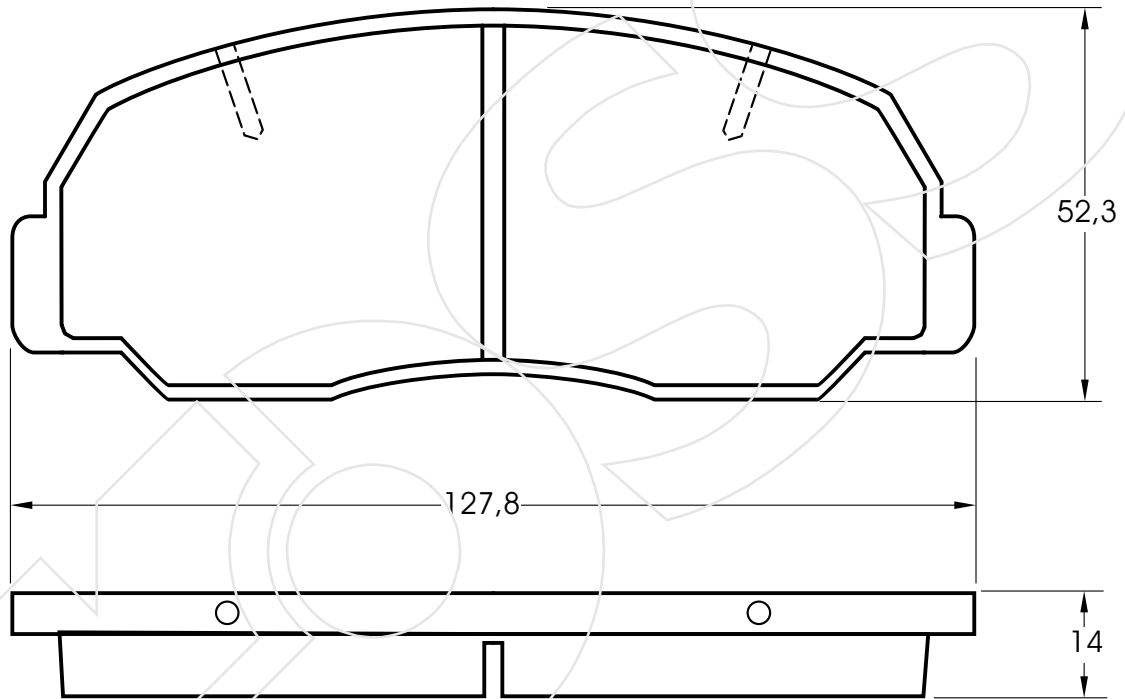
Reference in this Catalogue to other manufactures and to part numbers and other descriptions are for identification purposes only, because the above DISC BRAKE PADS are NOT ORIGINAL but with these interchangeable.

CODICE	IMPIANTO	ASSE	SCALA	APPLICAZIONI
<b>R-296</b>	SUMITOMO	ANTERIORE	1:1	DAIHATSU MAZDA
CODICE COMPONENTI	N°	L(mm)	SERIE	
*	*	*	4 PEZZI	
*	*	*		
*	*	*		
*	*	*		
CODICE ACCESSORI	N°	L(mm)	NOTE	
*	*	*		
*	*	*		
*	*	*		
*	*	*		



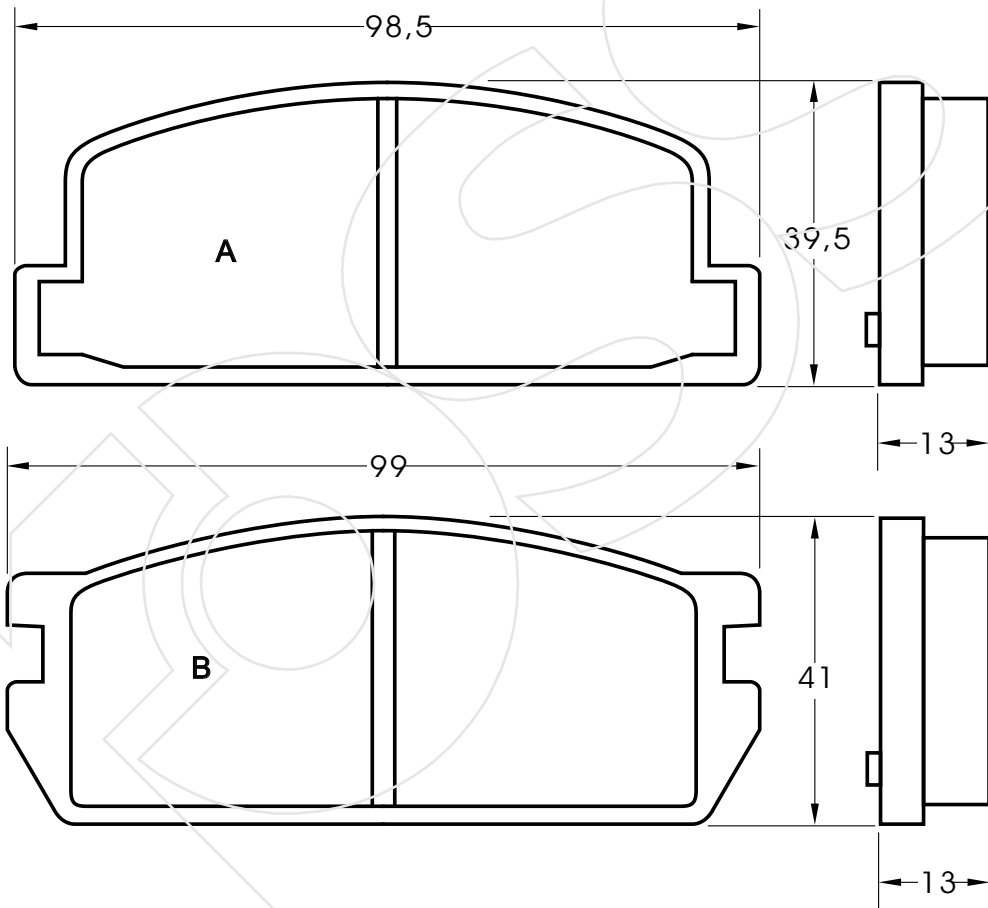
Reference in this Catalogue to other manufactures and to part numbers and other descriptions are for identification purposes only, because the above DISC BRAKE PADS are NOT ORIGINAL but with these interchangeable.

CODICE	IMPIANTO	ASSE	SCALA	APPLICAZIONI
<b>R-297</b>	SUMITOMO	ANTERIORE	1:1	DAIHATSU MAZDA
CODICE COMPONENTI	N°	L(mm)	SERIE	
*	*	*	4 PEZZI	
*	*	*		
*	*	*		
*	*	*		
CODICE ACCESSORI	N°	L(mm)	NOTE	
*	*	*		
*	*	*		
*	*	*		
*	*	*		



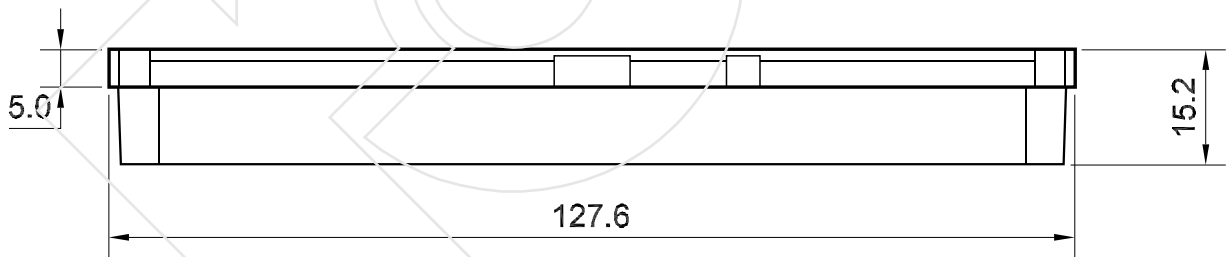
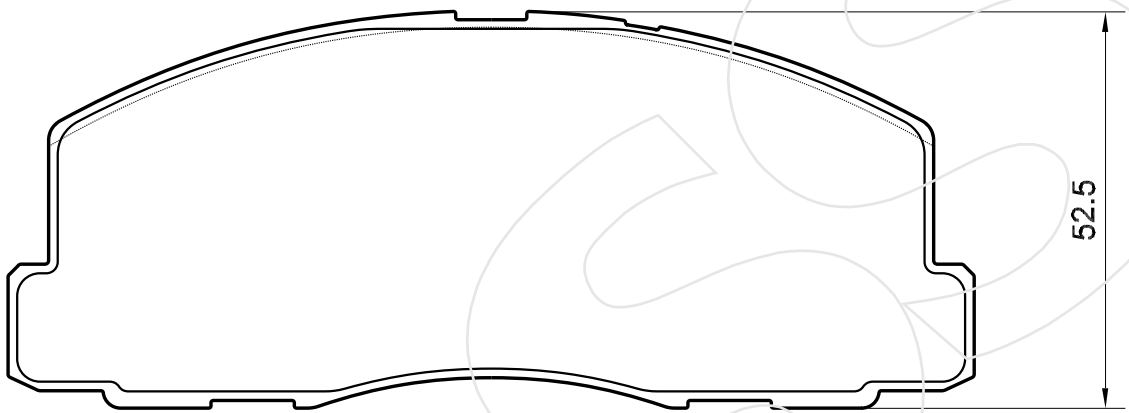
Reference in this Catalogue to other manufactures and to part numbers and other descriptions are for identification purposes only, because the above DISC BRAKE PADS are NOT ORIGINAL but with these interchangeable.

CODICE	IMPIANTO	ASSE	SCALA	APPLICAZIONI
<b>R-298</b>	AKEBONO	POSTERIORE	1:1	MAZDA
CODICE COMPONENTI	N°	L(mm)	SERIE	
*	*	*	2 PEZZI TIPO A	
*	*	*	2 PEZZI TIPO B	
CODICE ACCESSORI	N°	L(mm)	NOTE	
*	*			
*	*			
*	*			
*	*			



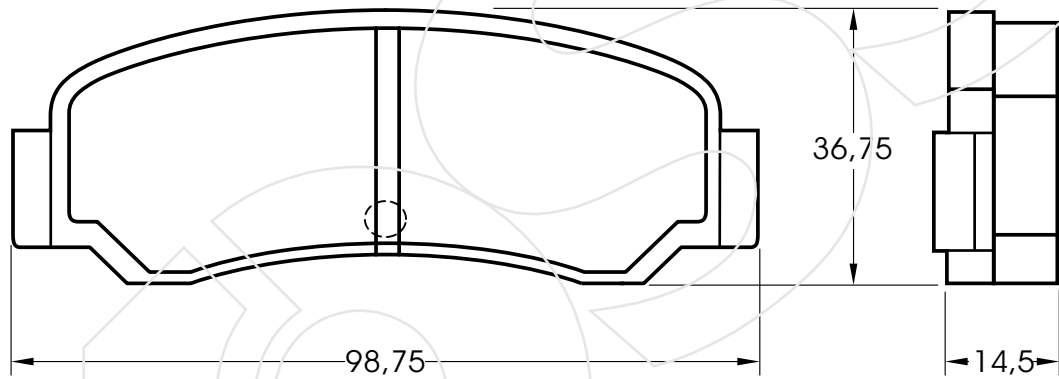
Reference in this Catalogue to other manufactures and to part numbers and other descriptions are for identification purposes only, because the above DISC BRAKE PADS are NOT ORIGINAL but with these interchangeable.

CODICE	IMPIANTO		ASSE	SCALA	APPLICAZIONI
<b>R-299</b>	AKEBONO		ANTERIORE	1:1	MITSUBISHI
CODICE COMPONENTI	N°	L(mm)	SERIE		
*	*	*	4 PEZZI		
*	*	*	*		
*	*	*	*		
*	*	*	*		
CODICE ACCESSORI	N°	L(mm)	NOTE		
*	*	*	*		
*	*	*	*		
*	*	*	*		
*	*	*	*		



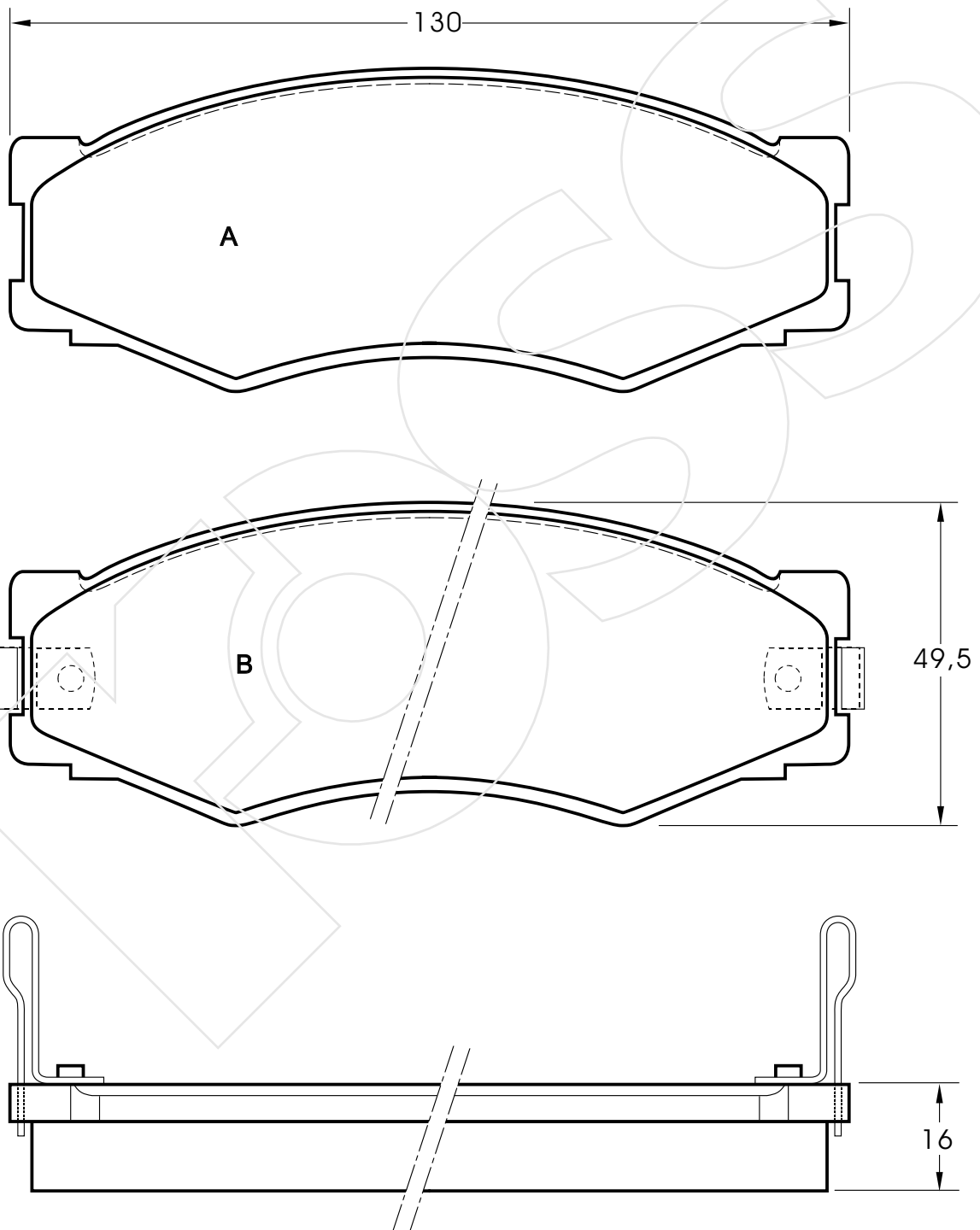
Reference in this Catalogue to other manufactures and to part numbers and other descriptions are for identification purposes only, because the above DISC BRAKE PADS are NOT ORIGINAL but with these interchangeable.

CODICE	IMPIANTO		ASSE	SCALA	APPLICAZIONI
<b>R-300</b>	SUMITOMO		POSTERIORE	1:1	MITSUBISHI
CODICE COMPONENTI	N°	L(mm)	SERIE		
*	*	*	4 PEZZI		
*	*	*			
*	*	*			
*	*	*			
CODICE ACCESSORI	N°	L(mm)	NOTE		
*	*	*			
*	*	*			
*	*	*			
*	*	*			



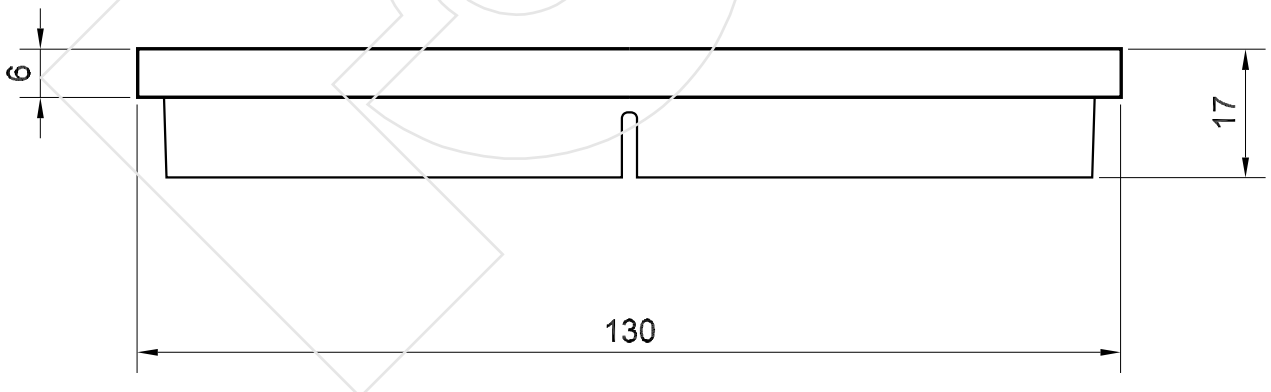
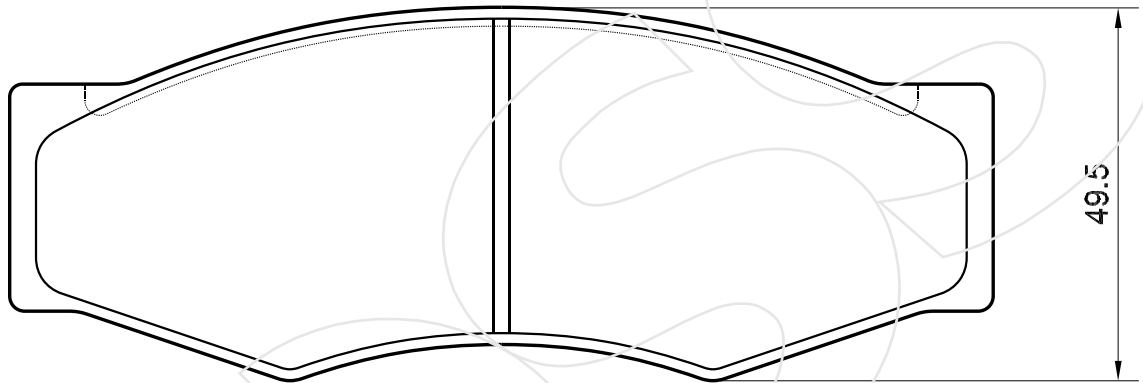
Reference in this Catalogue to other manufactures and to part numbers and other descriptions are for identification purposes only, because the above DISC BRAKE PADS are NOT ORIGINAL but with these interchangeable.

CODICE	IMPIANTO	ASSE	SCALA	APPLICAZIONI
<b>R-301</b>	AKEBONO	ANTERIORE	1:1	NISSAN-DATSUN
CODICE COMPONENTI	N°	L(mm)	SERIE	
*	*	*	2 PEZZI TIPO A	
M0036	2	*	2 PEZZI TIPO B	
CODICE ACCESSORI	N°	L(mm)	NOTE	
*	*			
*	*			
*	*			
*	*			



Reference in this Catalogue to other manufactures and to part numbers and other descriptions are for identification purposes only, because the above DISC BRAKE PADS are NOT ORIGINAL but with these interchangeable.

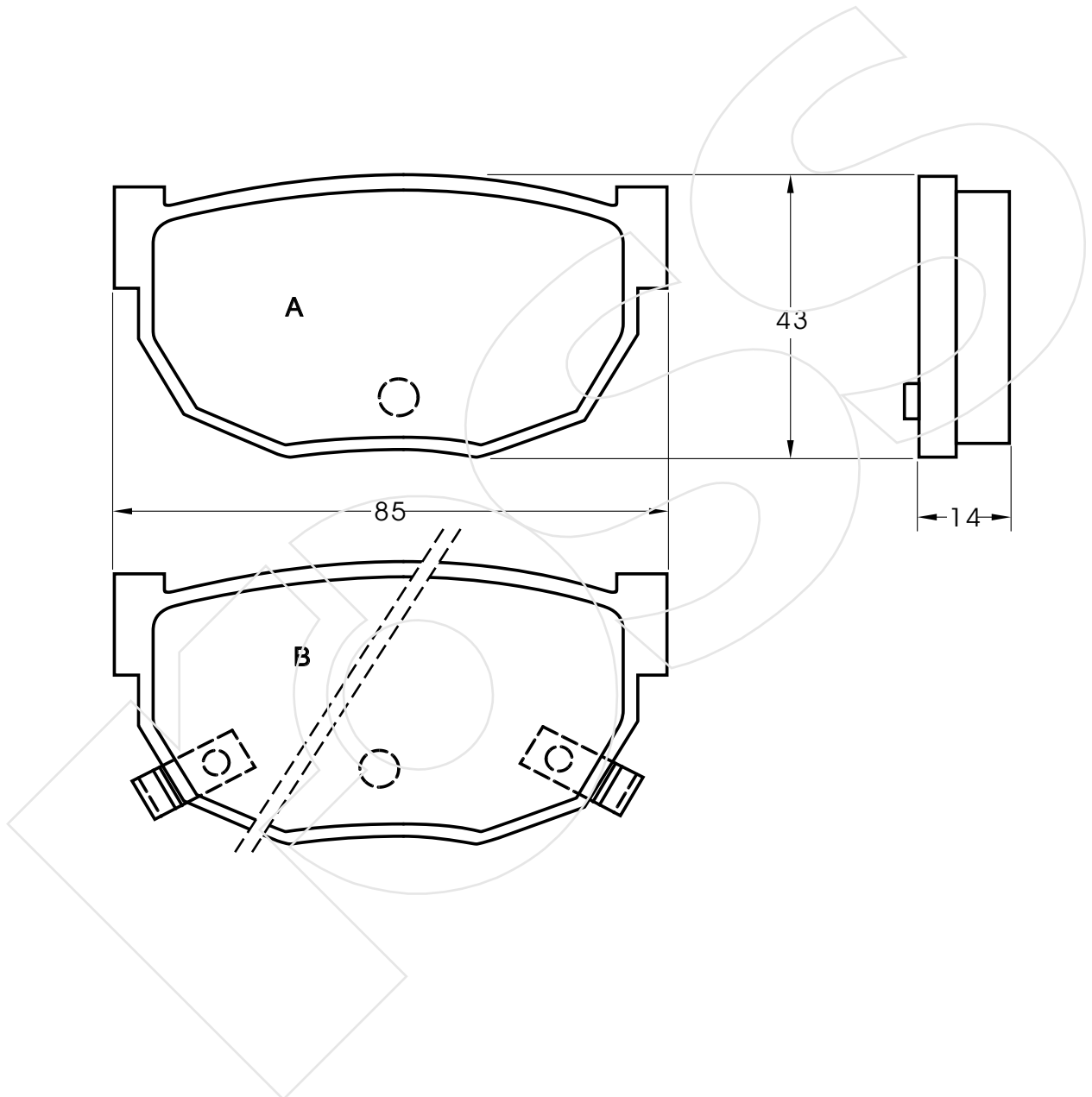
CODICE	IMPIANTO		ASSE	SCALA	APPLICAZIONI
<b>R-302</b>	AKEBONO		ANTERIORE	100%	NISSAN DATSUN
CODICE COMPONENTI	N°	L(mm)	SERIE		
*	*	*	4 PEZZI		
*	*	*	*		
*	*	*	*		
*	*	*	*		
*	*	*	*		
CODICE ACCESSORI	N°	L(mm)	NOTE		
*	*	*			
*	*	*			
*	*	*			
*	*	*			



Reference in this Catalogue to other manufactures and to part numbers and other descriptions are for identification purposes only, because the above DISC BRAKE PADS are NOT ORIGINAL but with these interchangeable.

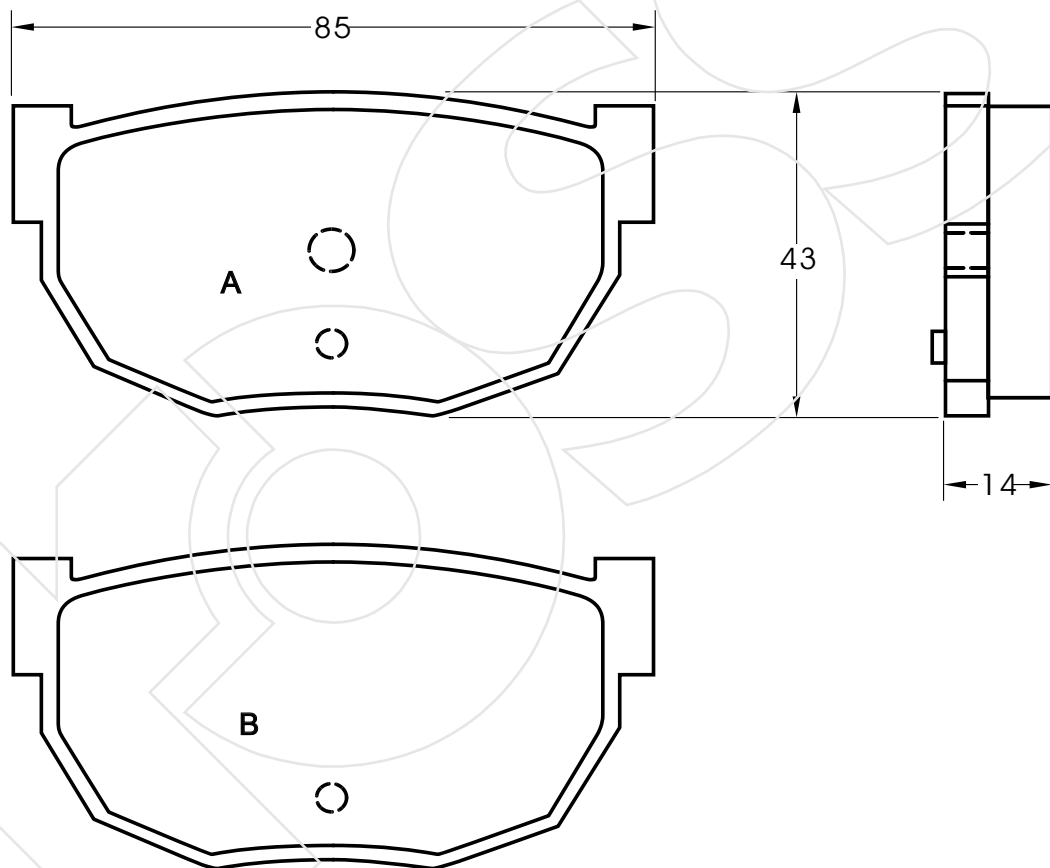


CODICE	IMPIANTO	ASSE	SCALA	APPLICAZIONI
<b>R-303</b>	SUMITOMO	POSTERIORE	1:1	NISSAN-DATSUN
CODICE COMPONENTI	N°	L(mm)	SERIE	
*	*	*	2 PEZZI TIPO A	
M0036	2	*	2 PEZZI TIPO B	
CODICE ACCESSORI	N°	L(mm)	NOTE	
*	*			
*	*			
*	*			
*	*			



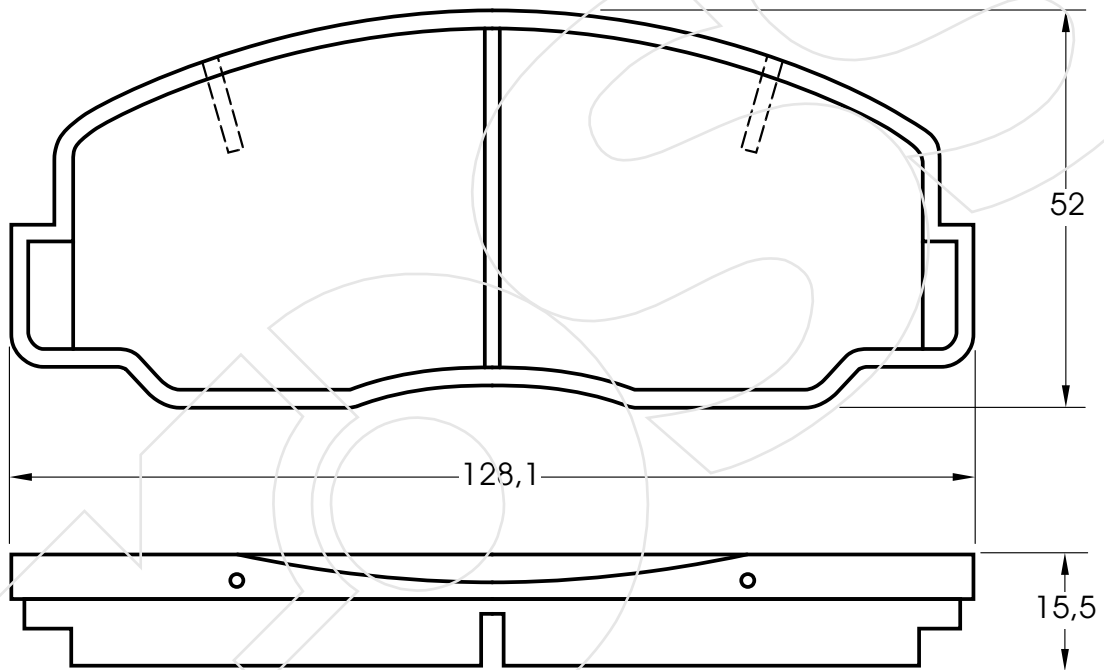
Reference in this Catalogue to other manufactures and to part numbers and other descriptions are for identification purposes only, because the above DISC BRAKE PADS are NOT ORIGINAL but with these interchangeable.

CODICE	IMPIANTO	ASSE	SCALA	APPLICAZIONI
<b>R-304</b>	SUMITOMO	POSTERIORE	1:1	NISSAN-DATSUN
CODICE COMPONENTI	N°	L(mm)	SERIE	
*	*	*	2 PEZZI TIPO A	
*	*	*	2 PEZZI TIPO B	
CODICE ACCESSORI	N°	L(mm)	NOTE	
*	*			
*	*			
*	*			
*	*			



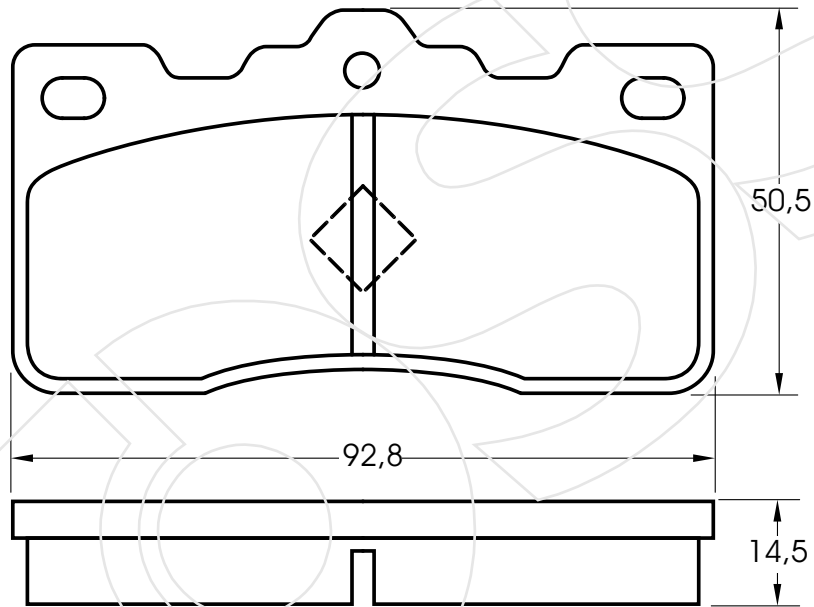
Reference in this Catalogue to other manufactures and to part numbers and other descriptions are for identification purposes only, because the above DISC BRAKE PADS are NOT ORIGINAL but with these interchangeable.

CODICE	IMPIANTO	ASSE	SCALA	APPLICAZIONI
<b>R-305</b>	AKRBONO	ANTRIORE	1:1	TOYOTA
CODICE COMPONENTI	N°	L(mm)	SERIE	
*	*	*	4 PEZZI	
*	*	*		
*	*	*		
*	*	*		
CODICE ACCESSORI	N°	L(mm)	NOTE	
*	*	*		
*	*	*		
*	*	*		
*	*	*		



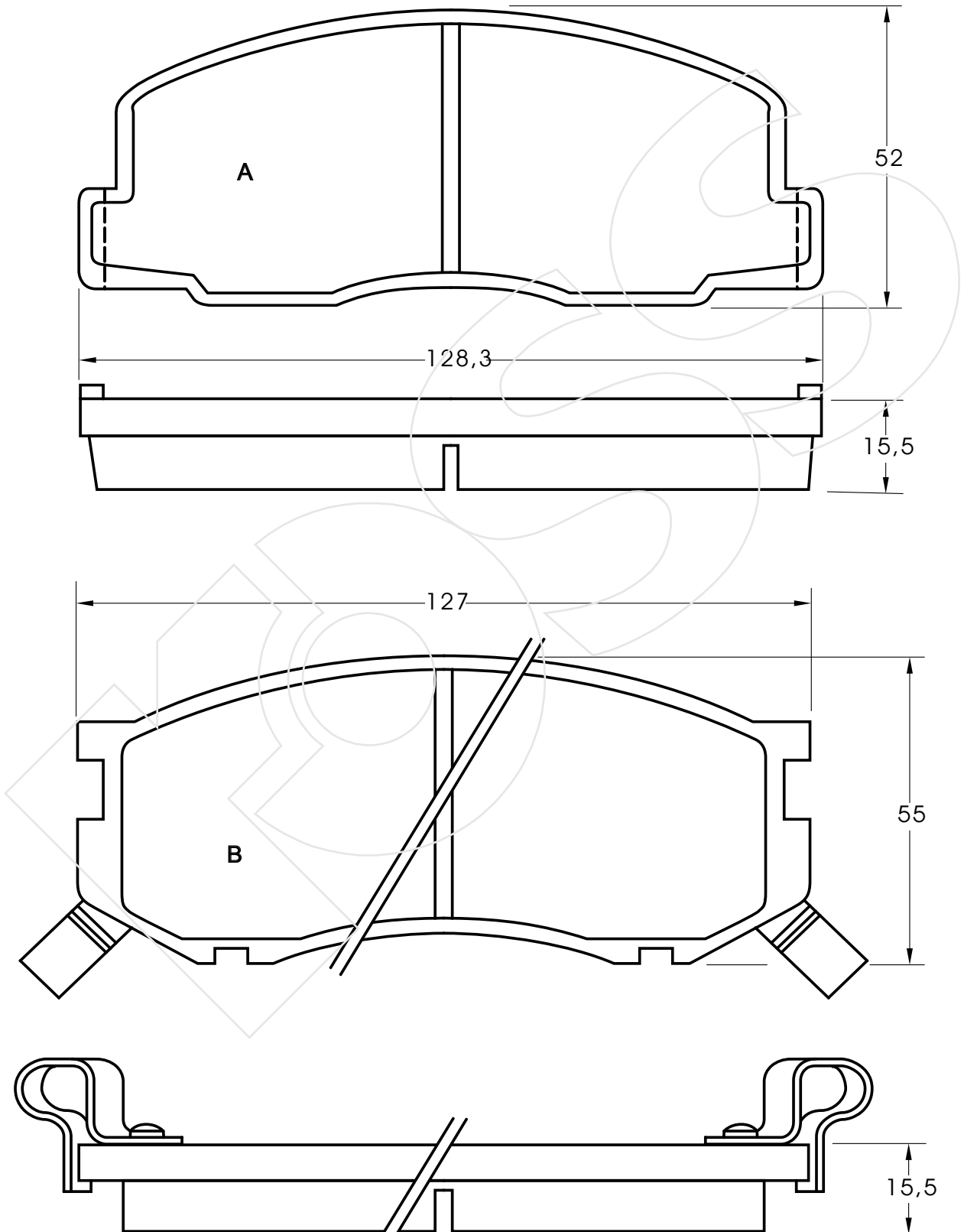
Reference in this Catalogue to other manufactures and to part numbers and other descriptions are for identification purposes only, because the above DISC BRAKE PADS are NOT ORIGINAL but with these interchangeable.

CODICE	IMPIANTO		ASSE	SCALA	APPLICAZIONI
<b>R-306</b>	SUMITOMO		POSTERIORE	1:1	TOYOTA
CODICE COMPONENTI	N°	L(mm)	SERIE		
*	*	*	4 PEZZI		
*	*	*			
*	*	*			
*	*	*			
CODICE ACCESSORI	N°	L(mm)	NOTE		
*	*	*			
*	*	*			
*	*	*			
*	*	*			



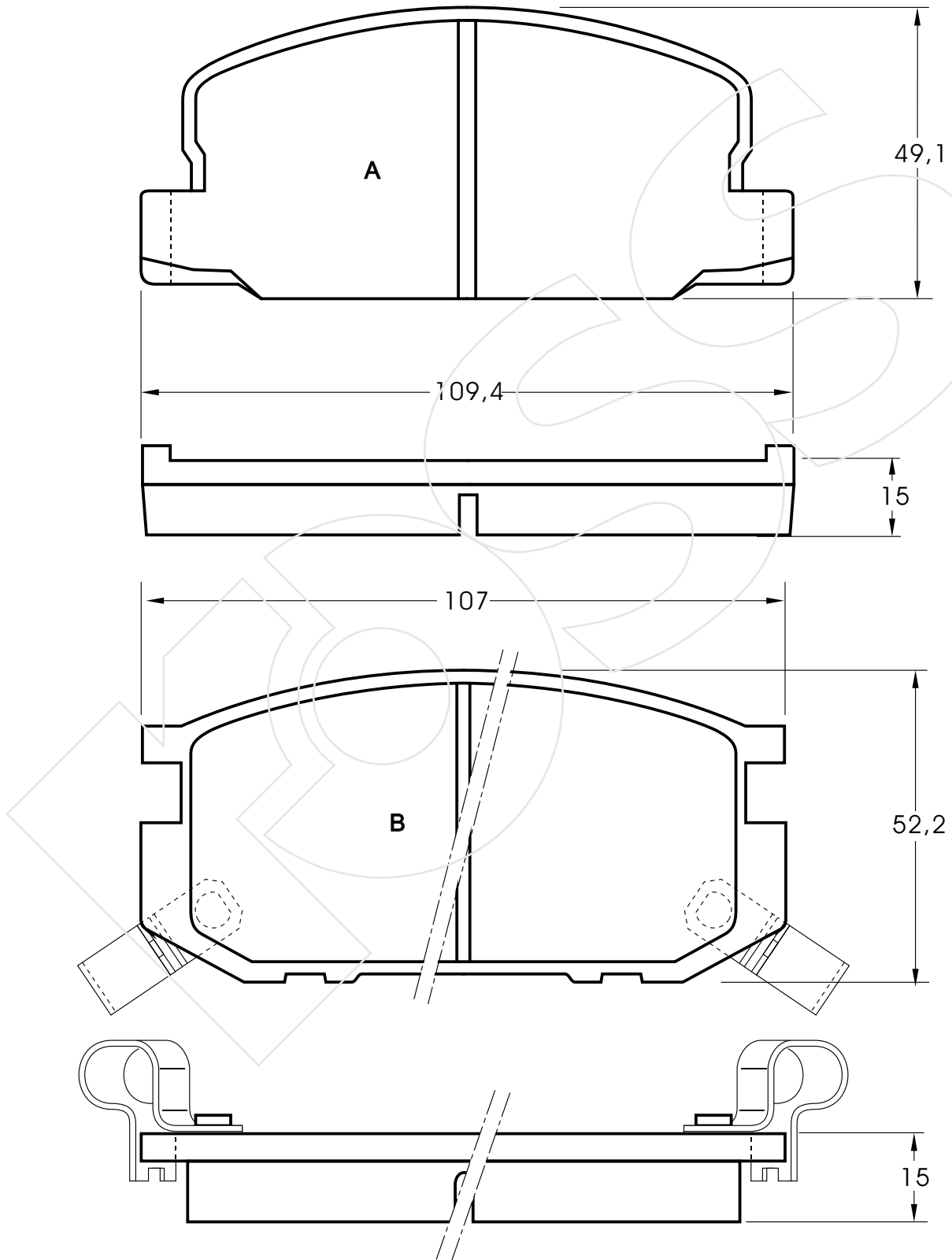
Reference in this Catalogue to other manufactures and to part numbers and other descriptions are for identification purposes only, because the above DISC BRAKE PADS are NOT ORIGINAL but with these interchangeable.

CODICE	IMPIANTO	ASSE	SCALA	APPLICAZIONI
<b>R-307</b>	AKEBONO	ANTERIORE	1:1	TOYOTA
CODICE COMPONENTI	N°	L(mm)	SERIE	
*	*	*	2 PEZZI TIPO A	
M0025	2	*	2 PEZZI TIPO B	
CODICE ACCESSORI	N°	L(mm)	NOTE	
*	*	*		
*	*	*		
*	*	*		
*	*	*		



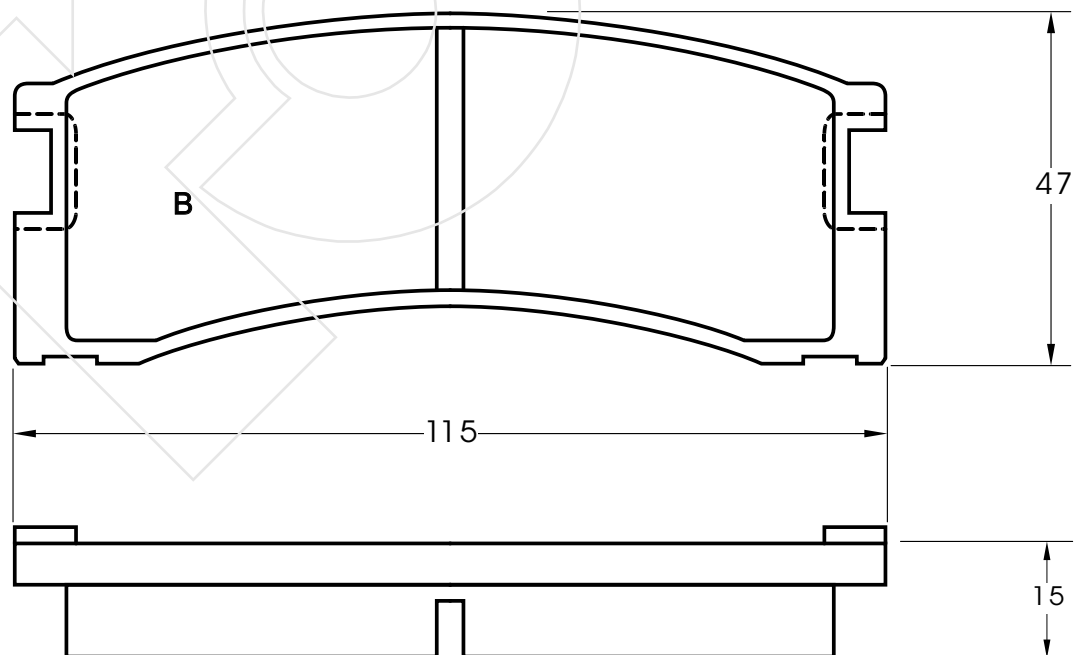
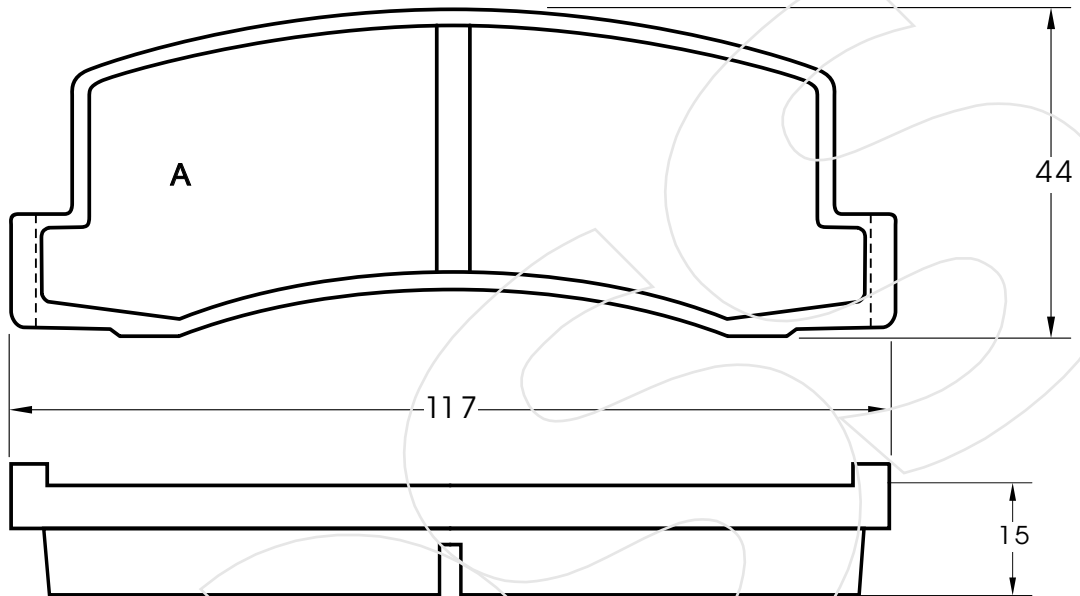
Reference in this Catalogue to other manufactures and to part numbers and other descriptions are for identification purposes only, because the above DISC BRAKE PADS are NOT ORIGINAL but with these interchangeable.

CODICE	IMPIANTO	ASSE	SCALA	APPLICAZIONI
<b>R-308</b>	AKEBONO	ANTERIORE	1:1	TOYOTA
CODICE COMPONENTI	N°	L(mm)	SERIE	
*	*	*	2 PEZZI	TIPO A
M0025	2	*	2 PEZZI	TIPO B
CODICE ACCESSORI	N°	L(mm)	NOTE	
*	*	*		
*	*	*		
*	*	*		
*	*	*		



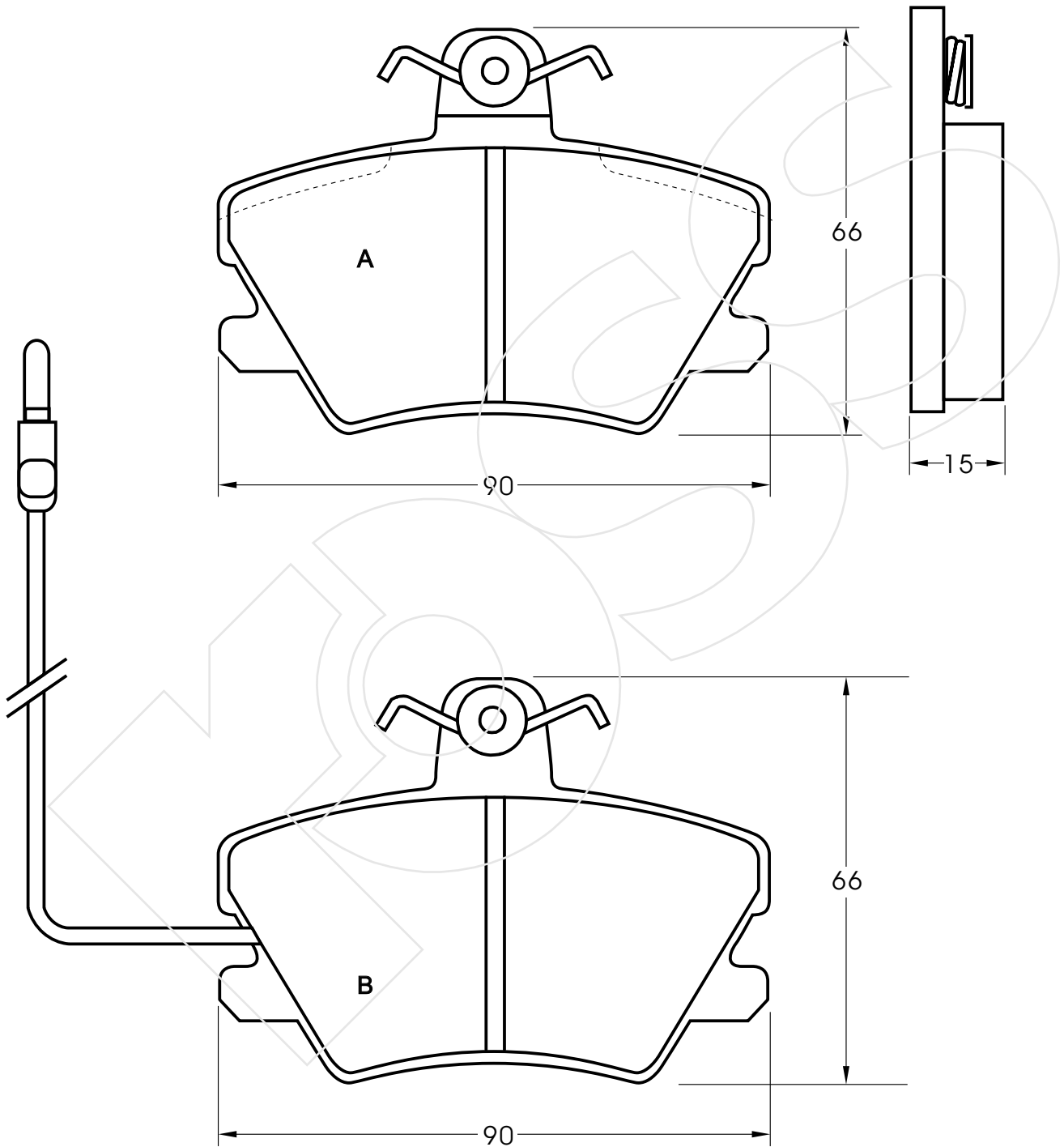
Reference in this Catalogue to other manufactures and to part numbers and other descriptions are for identification purposes only, because the above DISC BRAKE PADS are NOT ORIGINAL but with these interchangeable.

CODICE	IMPIANTO	ASSE	SCALA	APPLICAZIONI
<b>R-309</b>	AKEBONO	POSTERIORE	1:1	TOYOTA
CODICE COMPONENTI	N°	L(mm)	SERIE	
*	*	*	2 PEZZI TIPO A	
*	*	*	2 PEZZI TIPO B	
CODICE ACCESSORI	N°	L(mm)	NOTE	
*	*			
*	*			
*	*			
*	*			



Reference in this Catalogue to other manufactures and to part numbers and other descriptions are for identification purposes only, because the above DISC BRAKE PADS are NOT ORIGINAL but with these interchangeable.

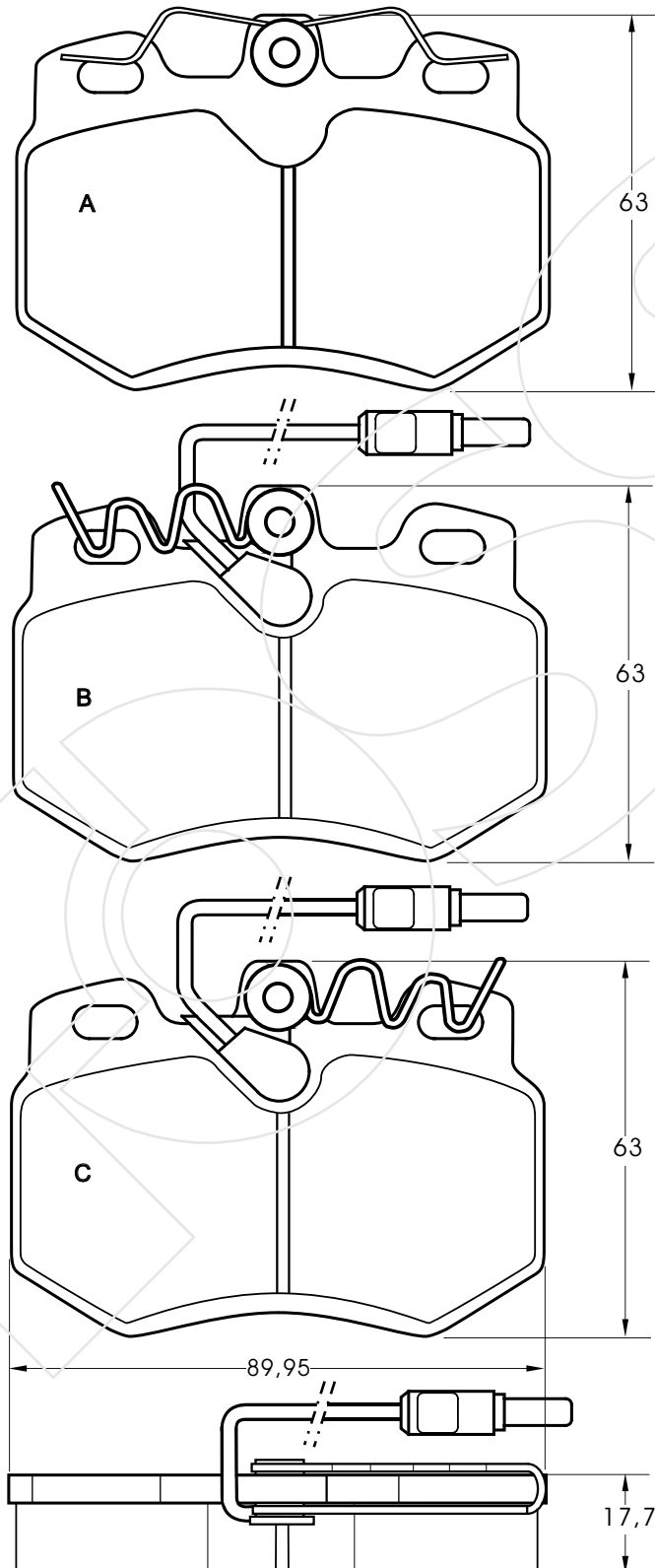
CODICE	IMPIANTO	ASSE	SCALA	APPLICAZIONI
<b>R-310</b>	GIRLING	ANTERIORE	1:1	RENAULT
CODICE COMPONENTI	N°	L(mm)	SERIE	
M0077+P1011	2+2	*	2 PEZZI	TIPO A
M0044+P1011+F3006	2+2+2	220	2 PEZZI	TIPO B
CODICE ACCESSORI	N°	L(mm)	NOTE	
*	*			
*	*			
*	*			
*	*			



Reference in this Catalogue to other manufactures and to part numbers and other descriptions are for identification purposes only, because the above DISC BRAKE PADS are NOT ORIGINAL but with these interchangeable.

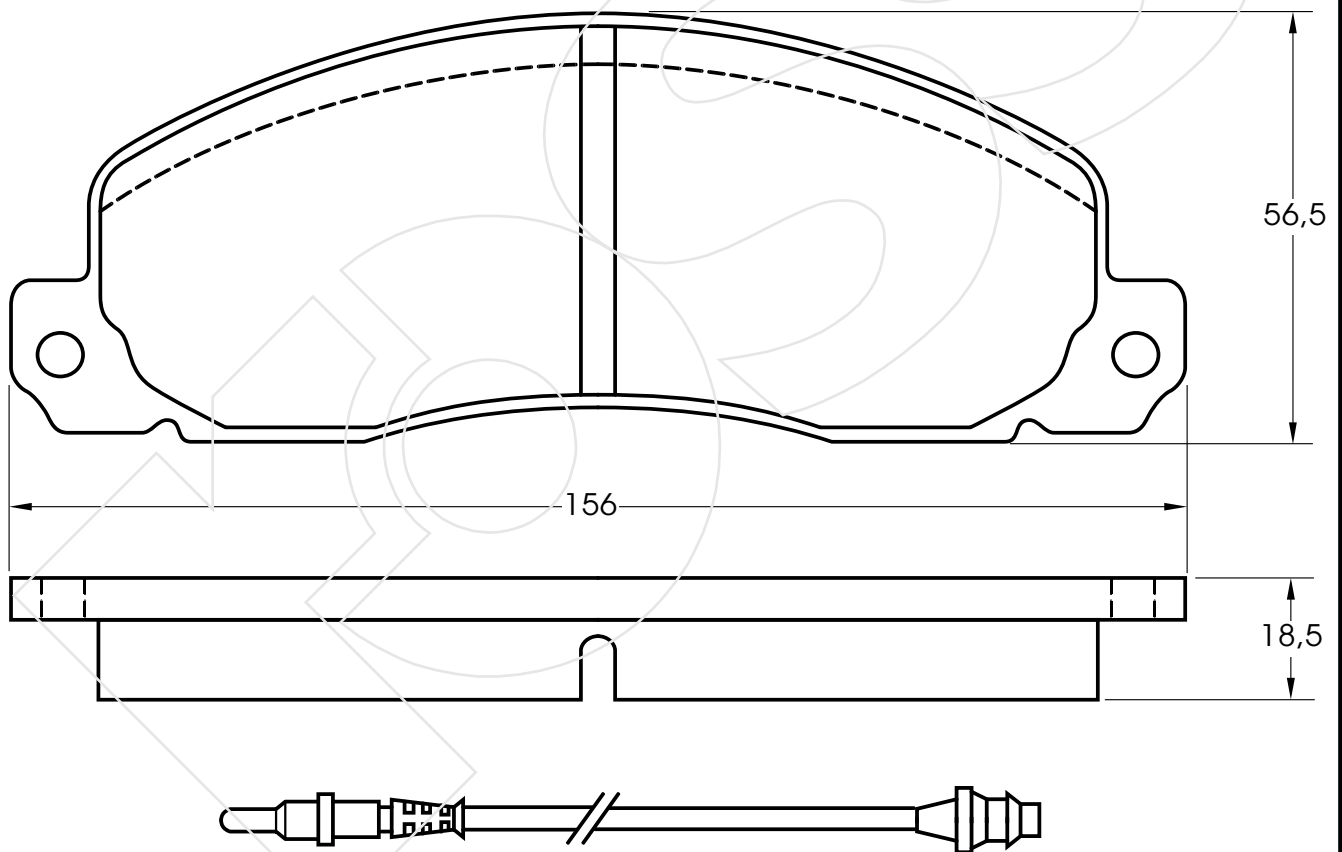


CODICE	IMPIANTO	ASSE	SCALA	APPLICAZIONI
<b>R-311</b>	GIRLING	ANTERIORE	80%	CITROEN
CODICE COMPONENTI	N°	L(mm)	SERIE	
M0028+P1011	2+2	*	2 PEZZI TIPO A	
M0040+P1012+F3042	1+1+1	220	1 PEZZO TIPO B	
M0040+P1012+F3042	1+1+1	220	1 PEZZO TIPO C	
CODICE ACCESSORI	N°	L(mm)	NOTE	
*	*			
*	*			
*	*			
*	*			



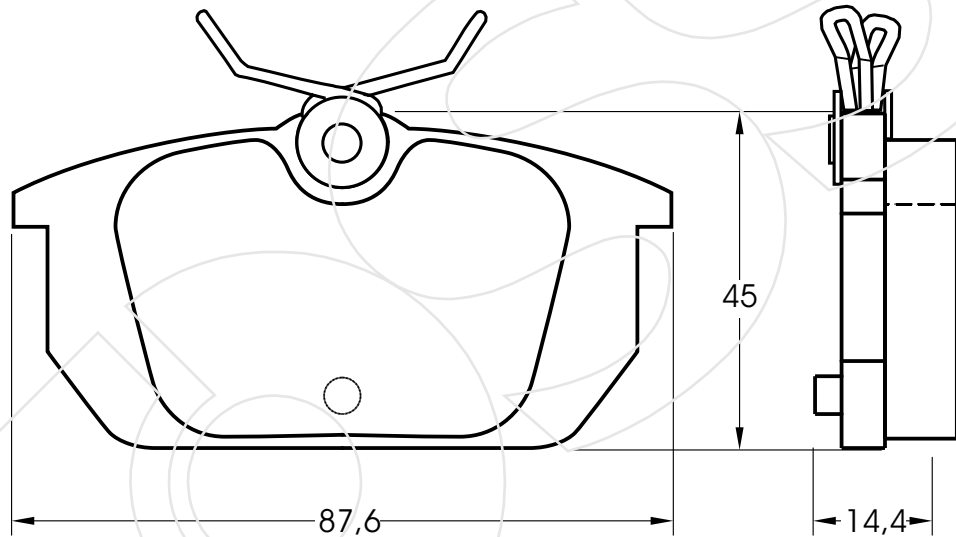
Reference in this Catalogue to other manufactures and to part numbers and other descriptions are for identification purposes only, because the above DISC BRAKE PADS are NOT ORIGINAL but with these interchangeable.

CODICE	IMPIANTO		ASSE	SCALA	APPLICAZIONI
<b>R-312</b>	BENDIX		ANTERIORE	1:1	RENAULT
CODICE COMPONENTI	N°	L(mm)	SERIE		
*	*	*	4 PEZZI		
F3054	2	325			
*	*	*			
*	*	*			
CODICE ACCESSORI	N°	L(mm)	NOTE		
*	*	*			
*	*	*			
*	*	*			
*	*	*			



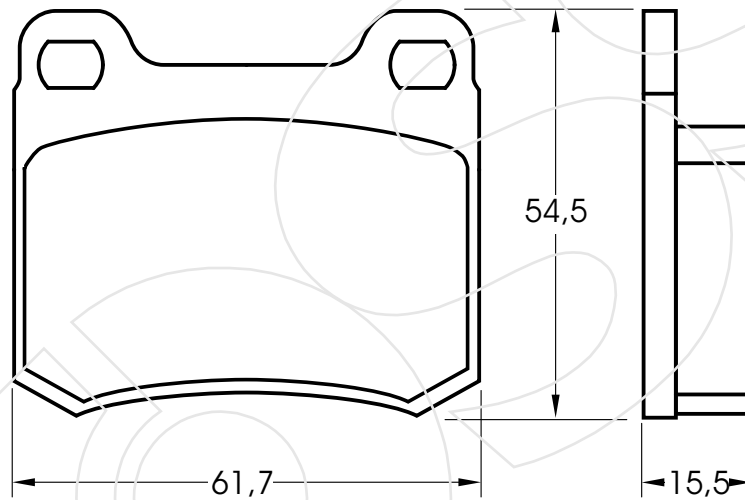
Reference in this Catalogue to other manufactures and to part numbers and other descriptions are for identification purposes only, because the above DISC BRAKE PADS are NOT ORIGINAL but with these interchangeable.

CODICE	IMPIANTO		ASSE	SCALA	APPLICAZIONI
<b>R-313</b>	GIRLING		POSTERIORE	1:1	ALFAROME AUTOBIANCHI FIAT LANCIA
CODICE COMPONENTI	N°	L(mm)	SERIE		
M0015+P1004	4+4	*	4 PEZZI		
*	*	*			
*	*	*			
*	*	*			
*	*	*			
CODICE ACCESSORI	N°	L(mm)	NOTE		
*	*	*			
*	*	*			
*	*	*			
*	*	*			



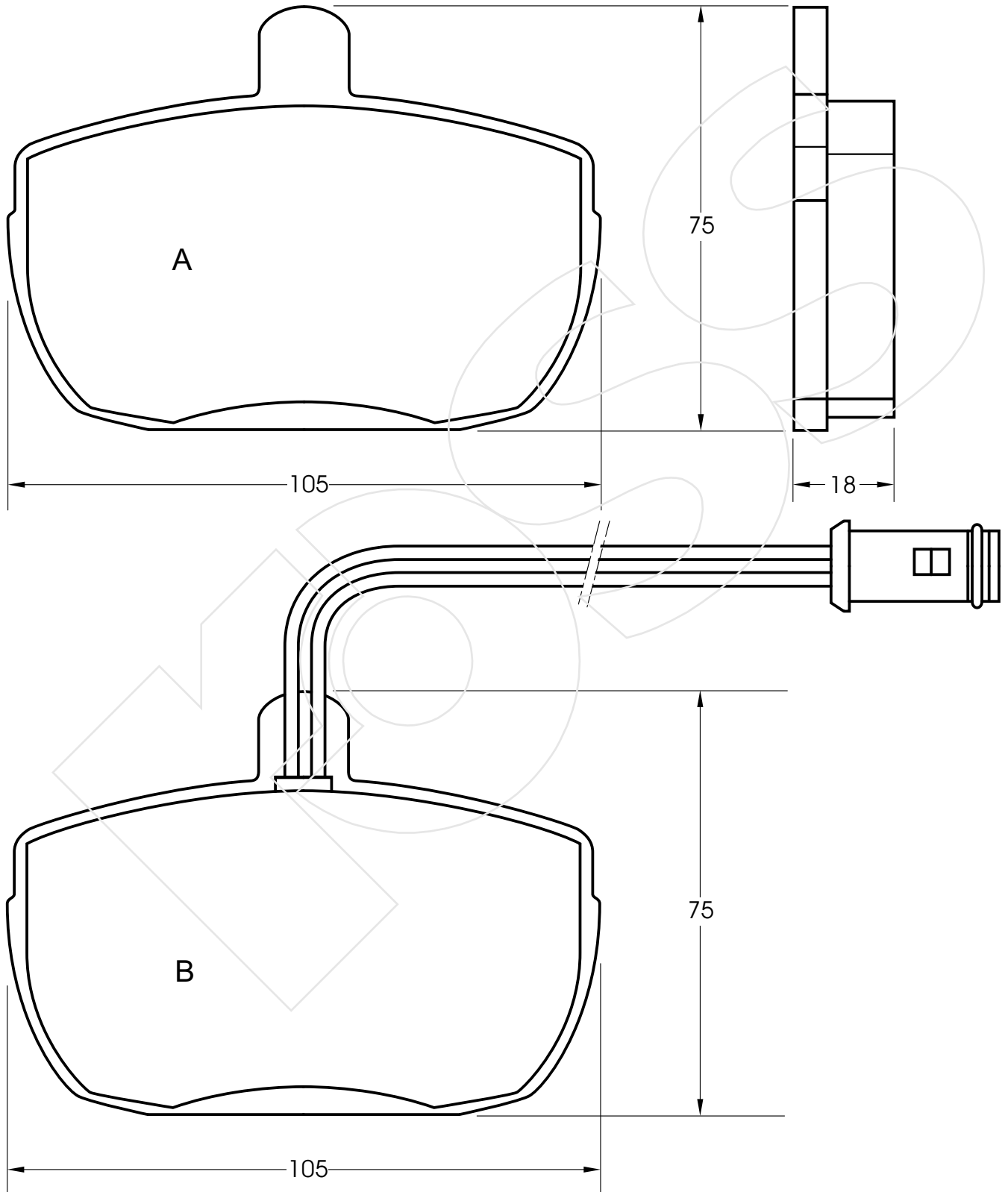
Reference in this Catalogue to other manufactures and to part numbers and other descriptions are for identification purposes only, because the above DISC BRAKE PADS are NOT ORIGINAL but with these interchangeable.

CODICE	IMPIANTO		ASSE	SCALA	APPLICAZIONI
<b>R-314</b>	ATE		POSTERIORE	1:1	MERCEDES
CODICE COMPONENTI	N°	L(mm)	SERIE		
*	*	*	4 PEZZI		
*	*	*			
*	*	*			
*	*	*			
CODICE ACCESSORI	N°	L(mm)	NOTE		
*	*	*			
*	*	*			
*	*	*			
*	*	*			



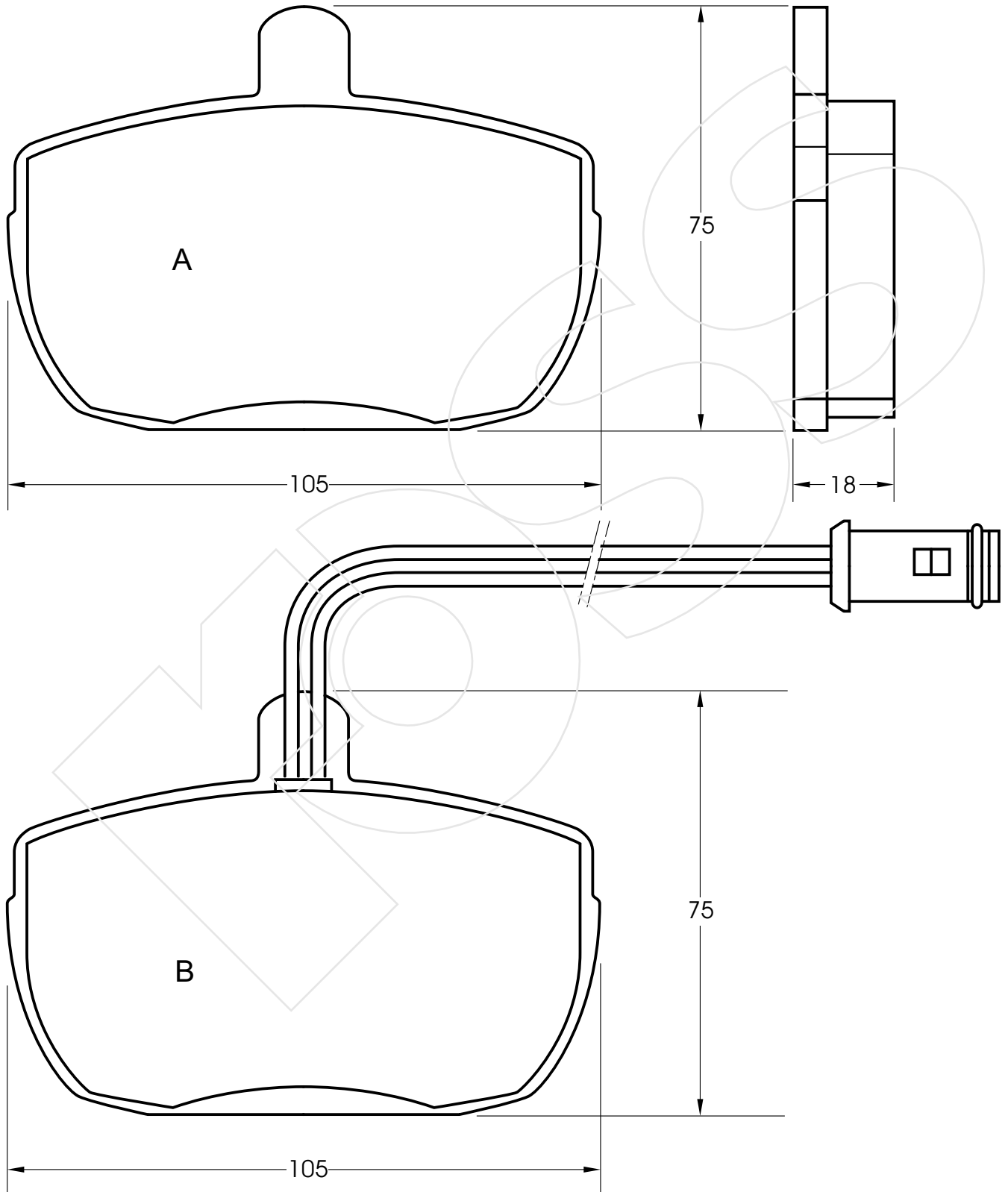
Reference in this Catalogue to other manufactures and to part numbers and other descriptions are for identification purposes only, because the above DISC BRAKE PADS are NOT ORIGINAL but with these interchangeable.

CODICE	IMPIANTO	ASSE	SCALA	APPLICAZIONI
<b>R-315-1</b>	LOCKEED	ANTERIORE	1:1	DAF FORD LEYLAND DAF
CODICE COMPONENTI	N°	L(mm)	SERIE	
*	*	*	2 PEZZI TIPO A	
F3030	2	430	2 PEZZI TIPO B	
*	*	*		
*	*	*		
CODICE ACCESSORI	N°	L(mm)	NOTE	
*	*	*		
*	*	*		
*	*	*		
*	*	*		



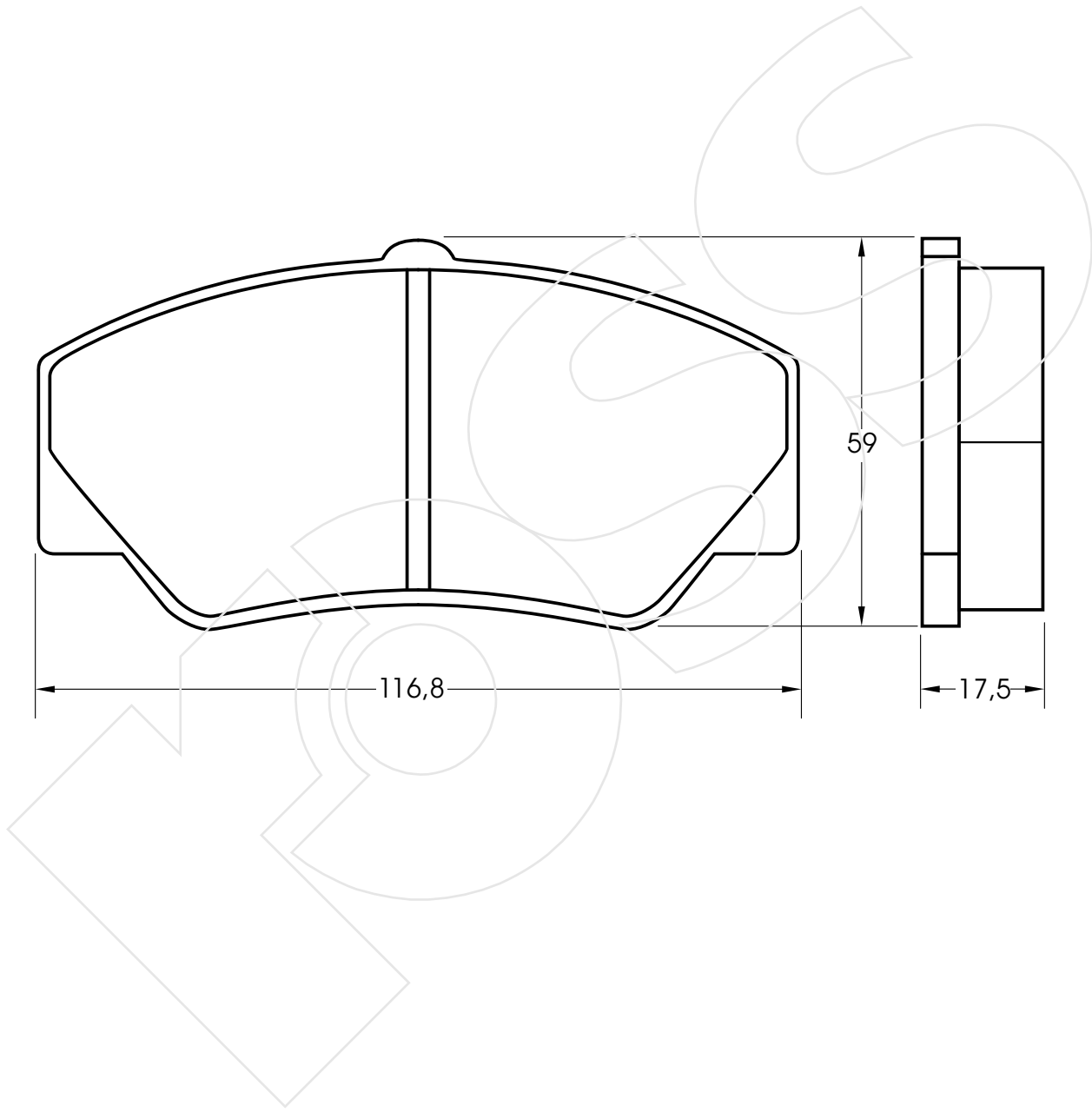
Reference in this Catalogue to other manufactures and to part numbers and other descriptions are for identification purposes only, because the above DISC BRAKE PADS are NOT ORIGINAL but with these interchangeable.

CODICE	IMPIANTO	ASSE	SCALA	APPLICAZIONI
<b>R-315</b>	LOCKEED	ANTERIORE	1:1	IVECO
CODICE COMPONENTI	N°	L(mm)	SERIE	
*	*	*	2 PEZZI TIPO A	
F3029	1	225	1 PEZZO TIPO B	
*	*	*		
*	*	*		
CODICE ACCESSORI	N°	L(mm)	NOTE	
*	*	*		
*	*	*		
*	*	*		
*	*	*		



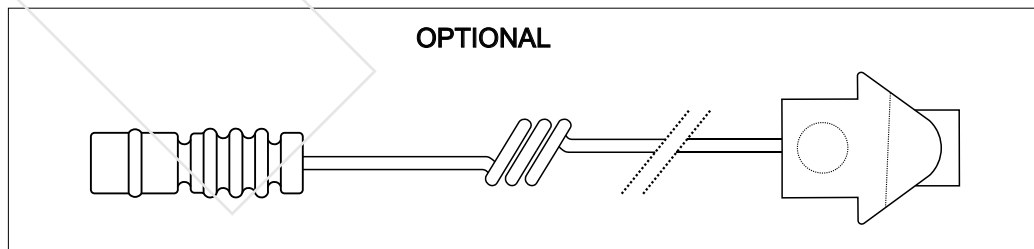
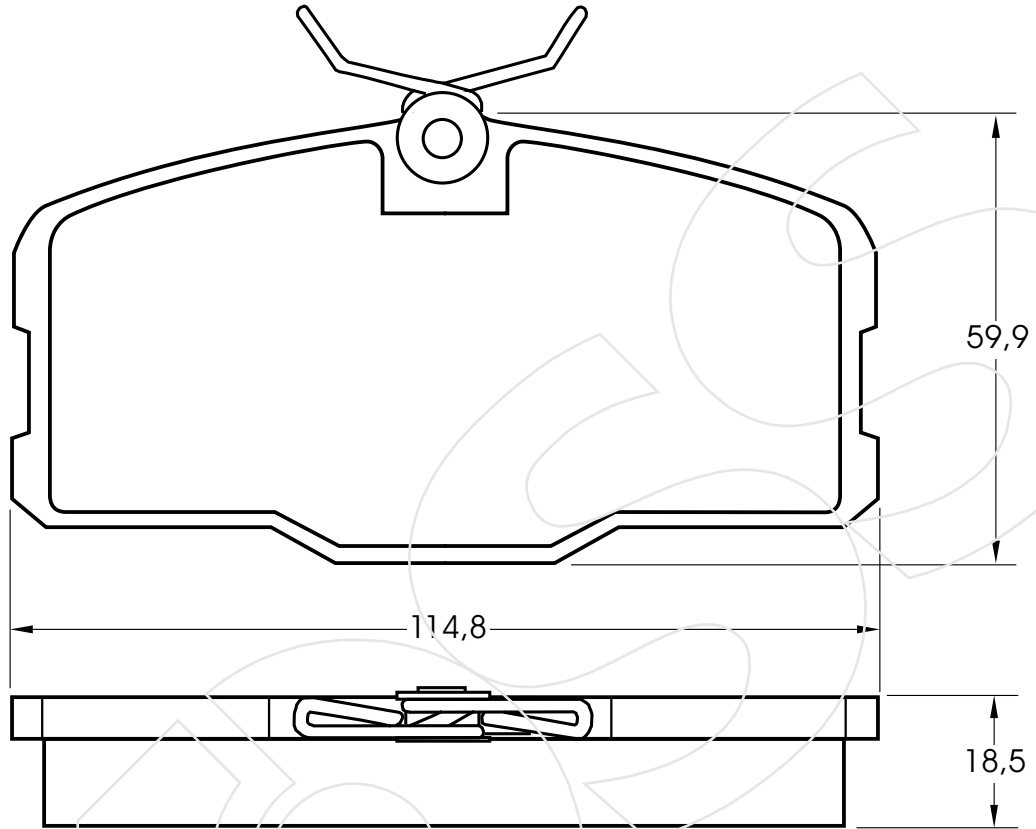
Reference in this Catalogue to other manufactures and to part numbers and other descriptions are for identification purposes only, because the above DISC BRAKE PADS are NOT ORIGINAL but with these interchangeable.

CODICE	IMPIANTO		ASSE	SCALA	APPLICAZIONI
<b>R-316</b>	BENDIX		ANTERIORE	1:1	FORD
CODICE COMPONENTI	N°	L(mm)	SERIE		
*	*	*	4 PEZZI		
*	*	*			
*	*	*			
*	*	*			
CODICE ACCESSORI	N°	L(mm)	NOTE		
*	*	*			
*	*	*			
*	*	*			
*	*	*			



Reference in this Catalogue to other manufactures and to part numbers and other descriptions are for identification purposes only, because the above DISC BRAKE PADS are NOT ORIGINAL but with these interchangeable.

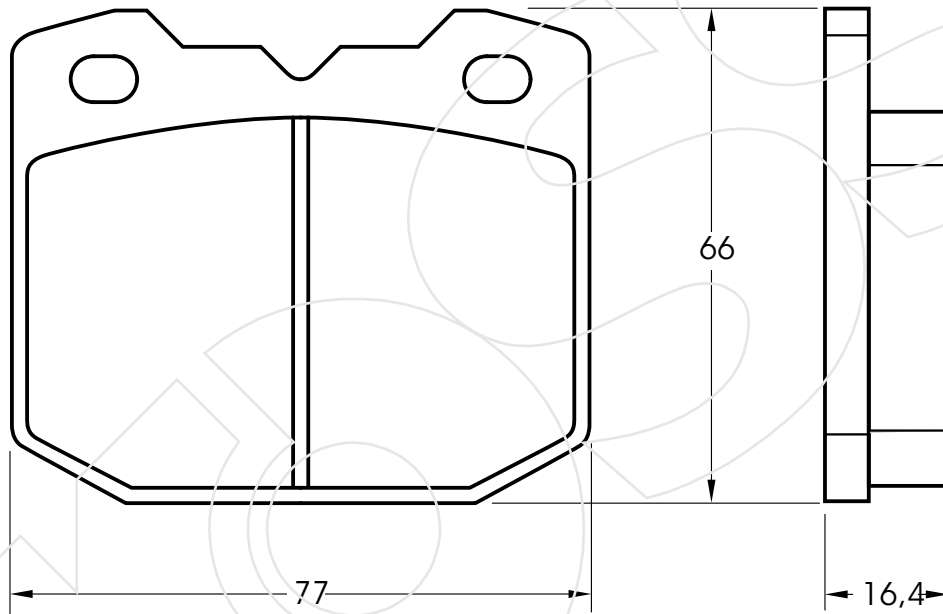
CODICE	IMPIANTO		ASSE	SCALA	APPLICAZIONI
<b>R-317</b>	GIRLING		ANTERIORE	1:1	MERCEDES
CODICE COMPONENTI	N°	L(mm)	SERIE		
M0015+P1004	4+4	*	4 PEZZI		
*	*	*	*		
*	*	*	*		
*	*	*	*		
OPTIONAL	N°	L(mm)	NOTE		
F3086	2	200			
*	*	*			
*	*	*			
*	*	*			



Reference in this Catalogue to other manufactures and to part numbers and other descriptions are for identification purposes only, because the above DISC BRAKE PADS are NOT ORIGINAL but with these interchangeable.

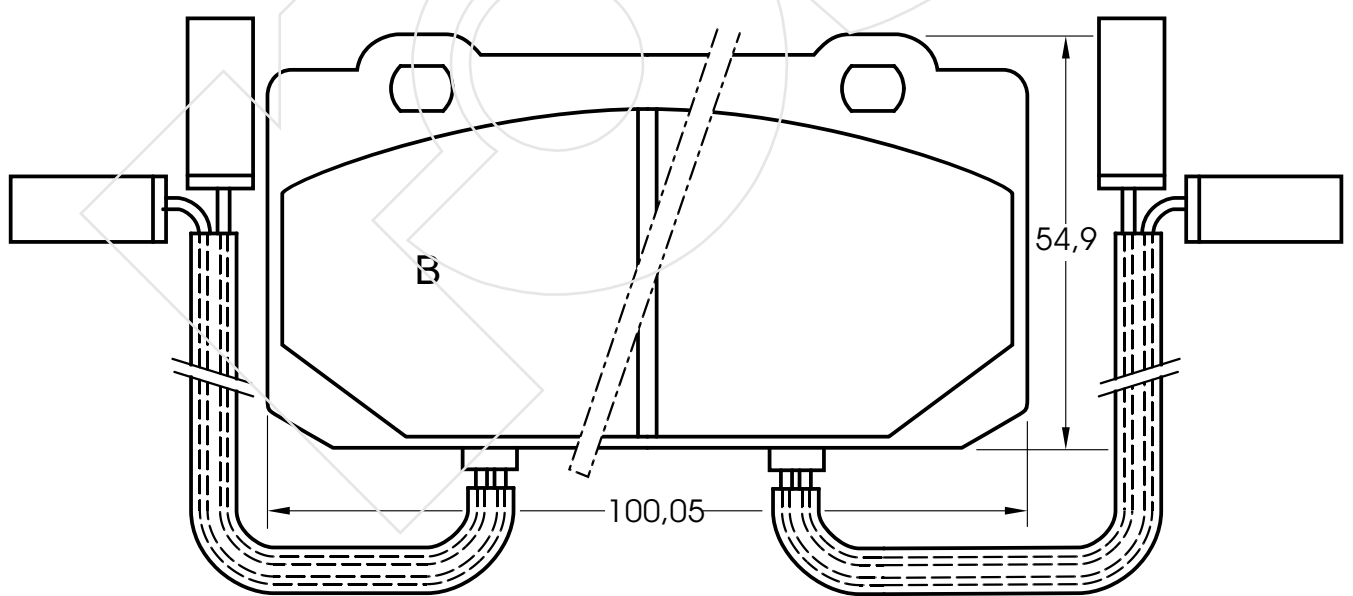
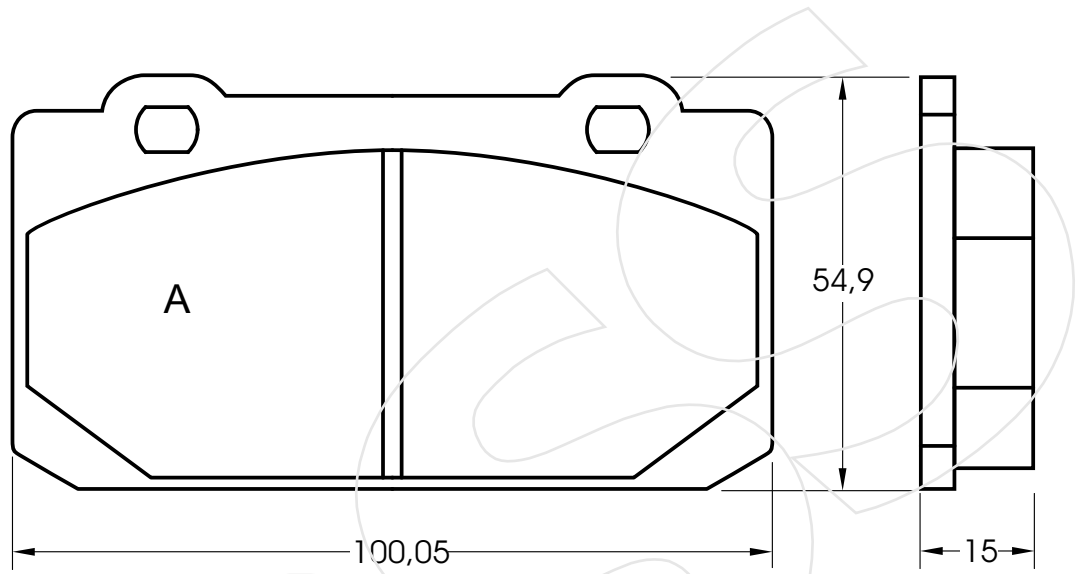


CODICE	IMPIANTO		ASSE	SCALA	APPLICAZIONI
<b>R-318</b>	ATE		ANTERIORE	1:1	ALFAROMEIO
CODICE COMPONENTI	N°	L(mm)	SERIE		
*	*	*	4 PEZZI		
*	*	*			
*	*	*			
*	*	*			
CODICE ACCESSORI	N°	L(mm)	NOTE		
*	*	*			
*	*	*			
*	*	*			
*	*	*			



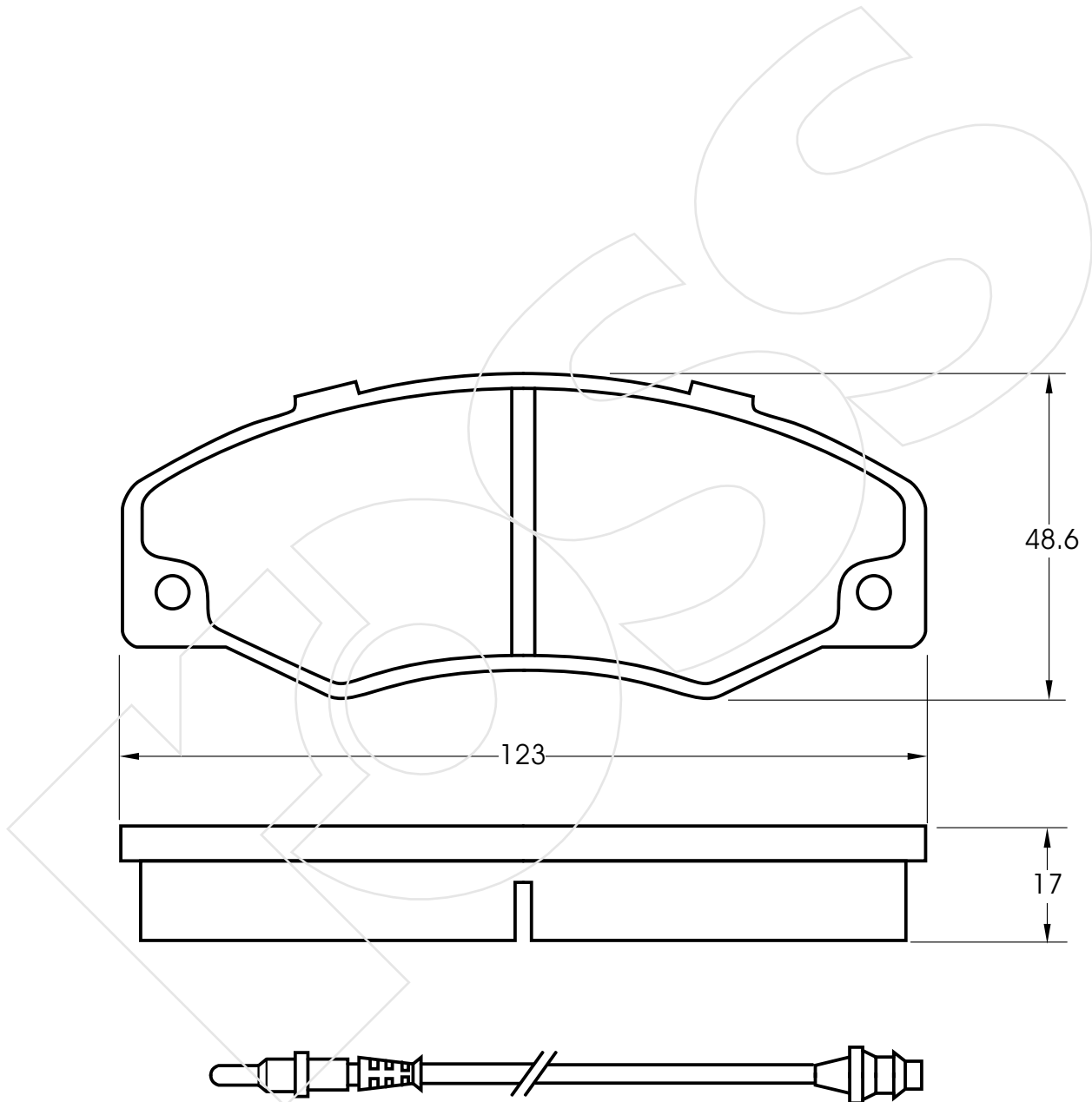
Reference in this Catalogue to other manufactures and to part numbers and other descriptions are for identification purposes only, because the above DISC BRAKE PADS are NOT ORIGINAL but with these interchangeable.

CODICE	IMPIANTO		ASSE	SCALA	APPLICAZIONI
<b>R-319</b>	ATE		ANTERIORE	1:1	ALFAROMEIO
CODICE COMPONENTI	N°	L(mm)	SERIE		
*	*	*	2 PEZZI TIPO A		
F3026	2	800	2 PEZZI TIPO B		
*	*	*			
*	*	*			
CODICE ACCESSORI	N°	L(mm)	NOTE		
*	*	*			
*	*	*			
*	*	*			
*	*	*			



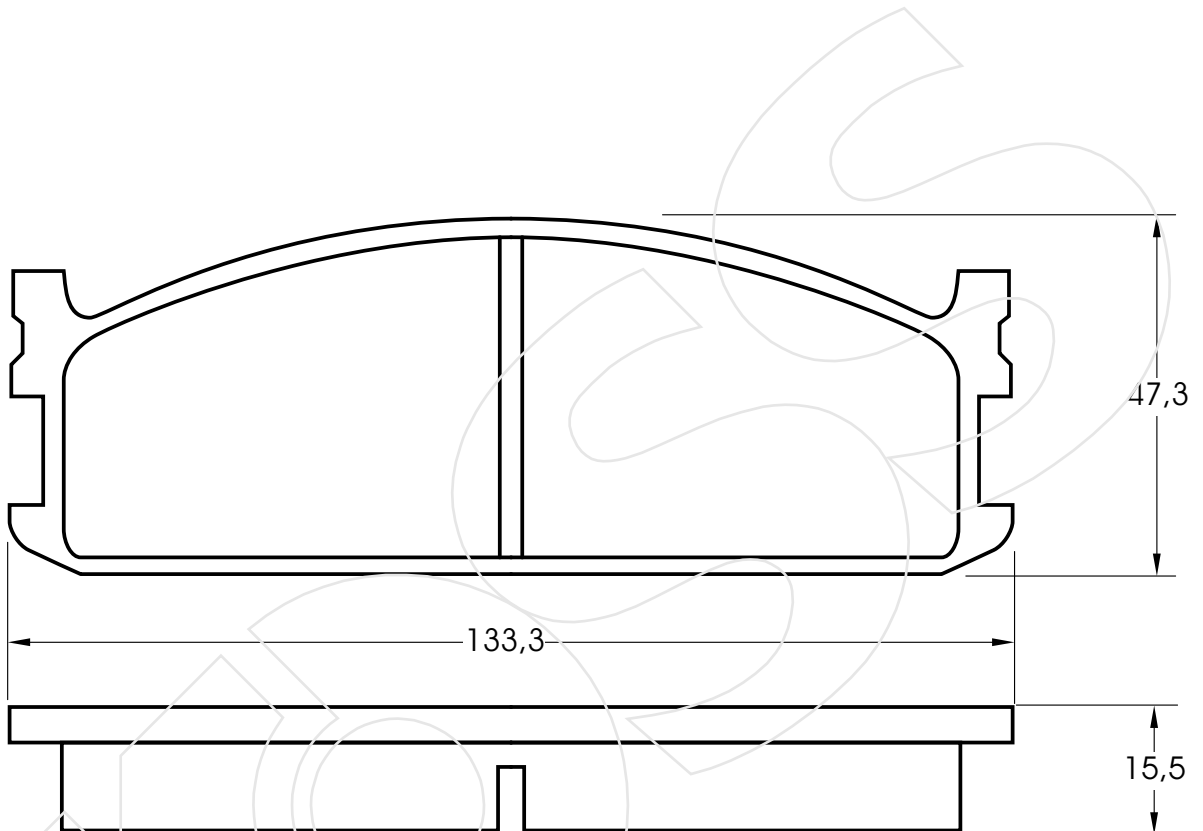
Reference in this Catalogue to other manufactures and to part numbers and other descriptions are for identification purposes only, because the above DISC BRAKE PADS are NOT ORIGINAL but with these interchangeable.

CODICE	IMPIANTO	ASSE	SCALA	APPLICAZIONI
<b>R-320</b>	BENDIX	ANTERIORE	1:1	RENAULT
CODICE COMPONENTI	N°	L(mm)	SERIE	
*	*	*	4 PEZZI	
F3053	2	200		
*	*	*		
*	*	*		
CODICE ACCESSORI	N°	L(mm)	NOTE	
*	*	*		
*	*	*		
*	*	*		
*	*	*		



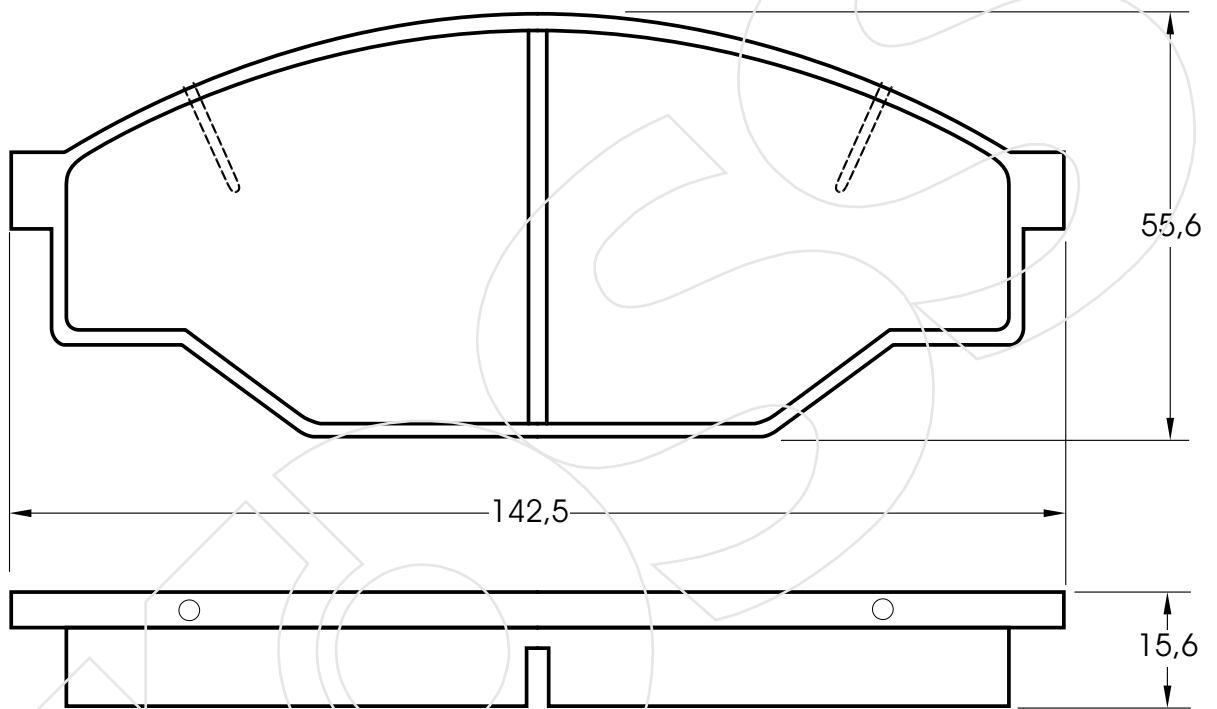
Reference in this Catalogue to other manufactures and to part numbers and other descriptions are for identification purposes only, because the above DISC BRAKE PADS are NOT ORIGINAL but with these interchangeable.

CODICE	IMPIANTO		ASSE	SCALA	APPLICAZIONI
<b>R-321</b>	SUMITOMO		ANTERIORE	1:1	ISUZU VAUXHALL
CODICE COMPONENTI	N°	L(mm)	SERIE		
*	*	*	4 PEZZI		
*	*	*			
*	*	*			
*	*	*			
CODICE ACCESSORI	N°	L(mm)	NOTE		
*	*	*			
*	*	*			
*	*	*			



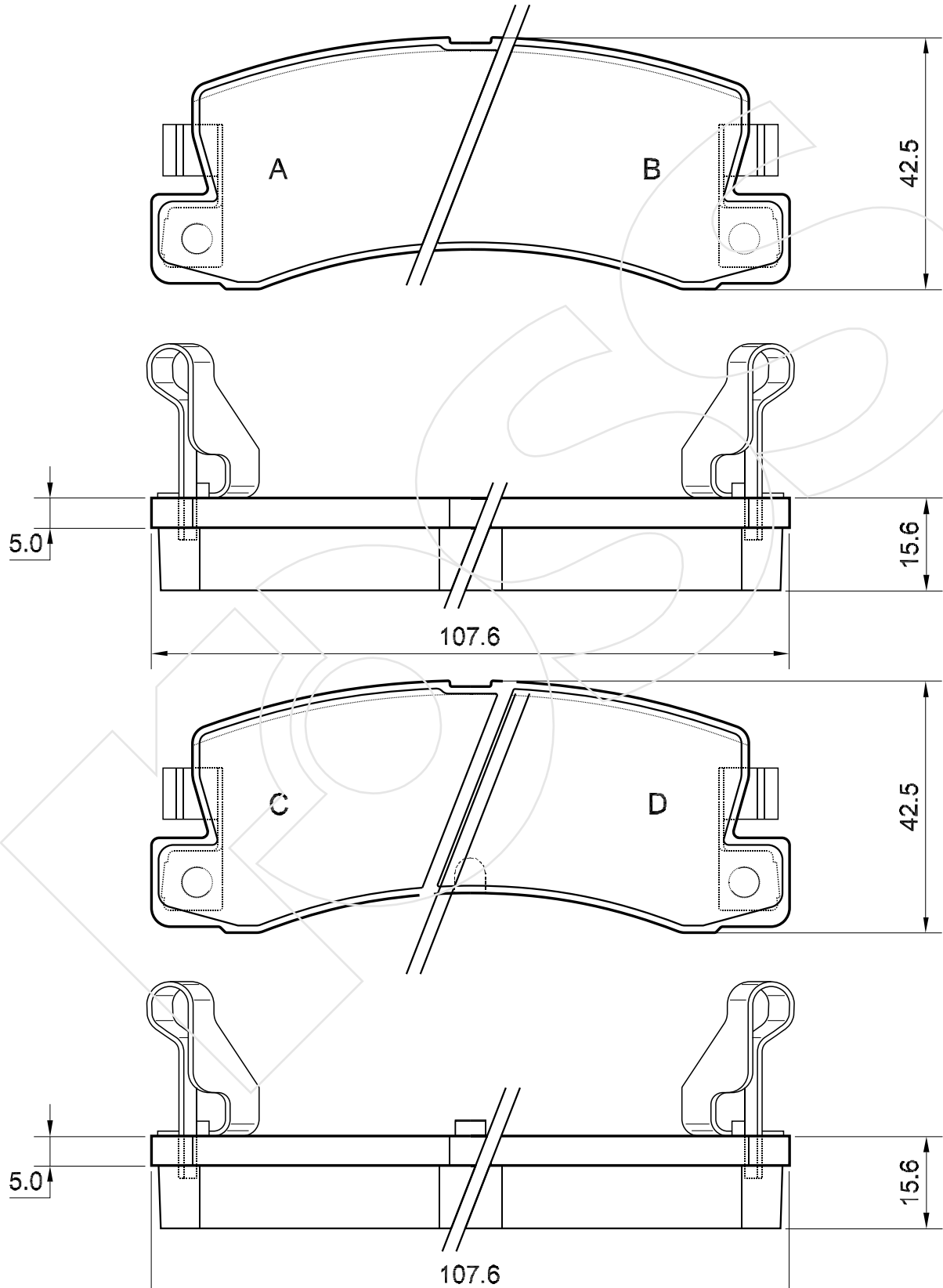
Reference in this Catalogue to other manufactures and to part numbers and other descriptions are for identification purposes only, because the above DISC BRAKE PADS are NOT ORIGINAL but with these interchangeable.

CODICE	IMPIANTO		ASSE	SCALA	APPLICAZIONI
<b>R-322</b>	AKEBONO		ANTERIORE	1:1	TOYOTA VOLKSWAGEN
CODICE COMPONENTI	N°	L(mm)	SERIE		
*	*	*	4 PEZZI		
*	*	*			
*	*	*			
*	*	*			
CODICE ACCESSORI	N°	L(mm)	NOTE		
*	*	*			
*	*	*			
*	*	*			
*	*	*			



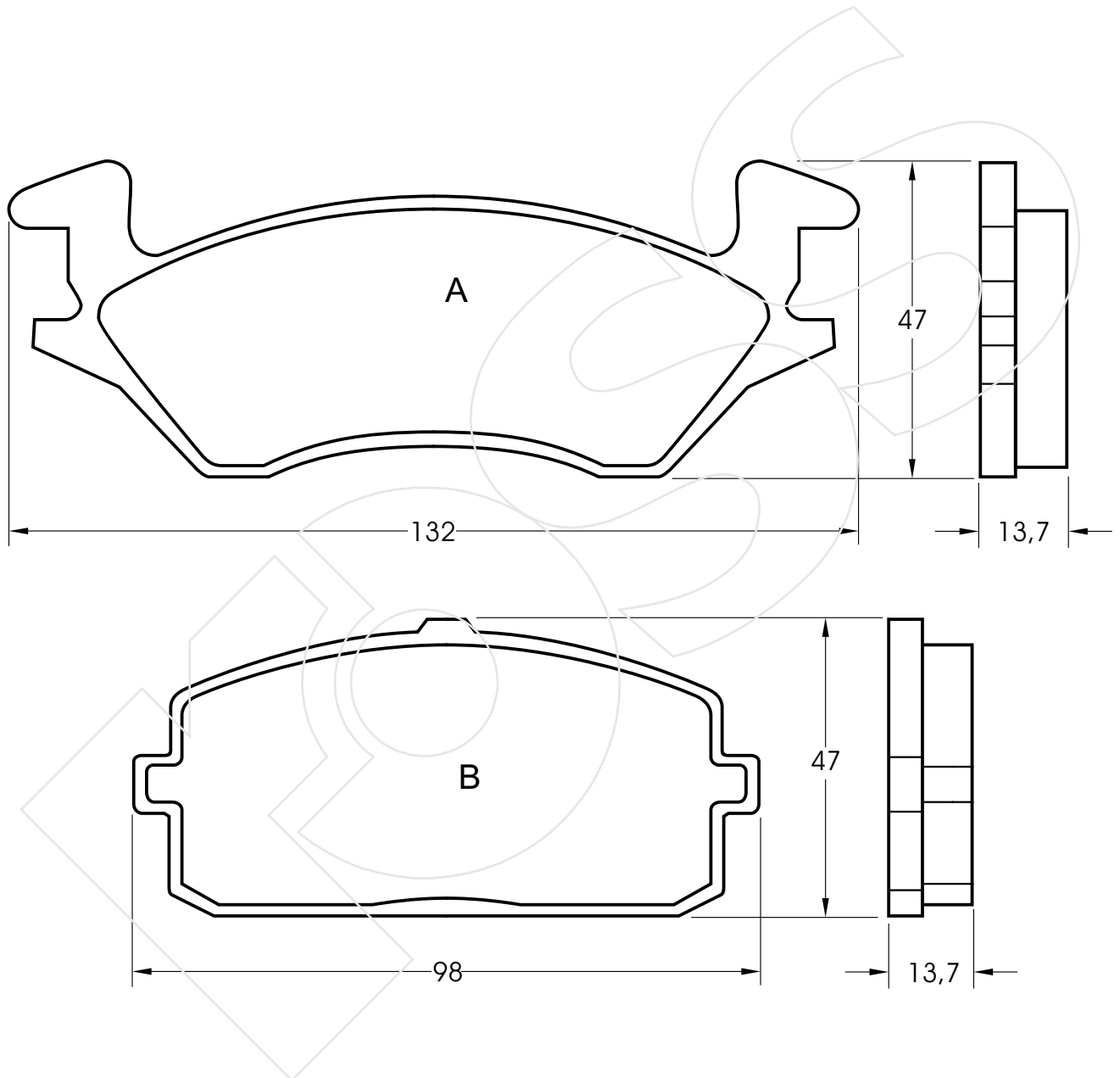
Reference in this Catalogue to other manufactures and to part numbers and other descriptions are for identification purposes only, because the above DISC BRAKE PADS are NOT ORIGINAL but with these interchangeable.

CODICE	IMPIANTO		ASSE	SCALA	APPLICAZIONI
<b>R-323</b>	AKEBONO		POSTERIORE	100%	TOYOTA
CODICE COMPONENTI	N°	L(mm)	SERIE		
M0041	1	*	1 PEZZO TIPO A		
M0042	1	*	1 PEZZO TIPO B		
M0041	1	*	1 PEZZO TIPO C		
M0042	1	*	1 PEZZO TIPO D		
CODICE ACCESSORI	N°	L(mm)	NOTE		
*	*	*			
*	*	*			
*	*	*			
*	*	*			



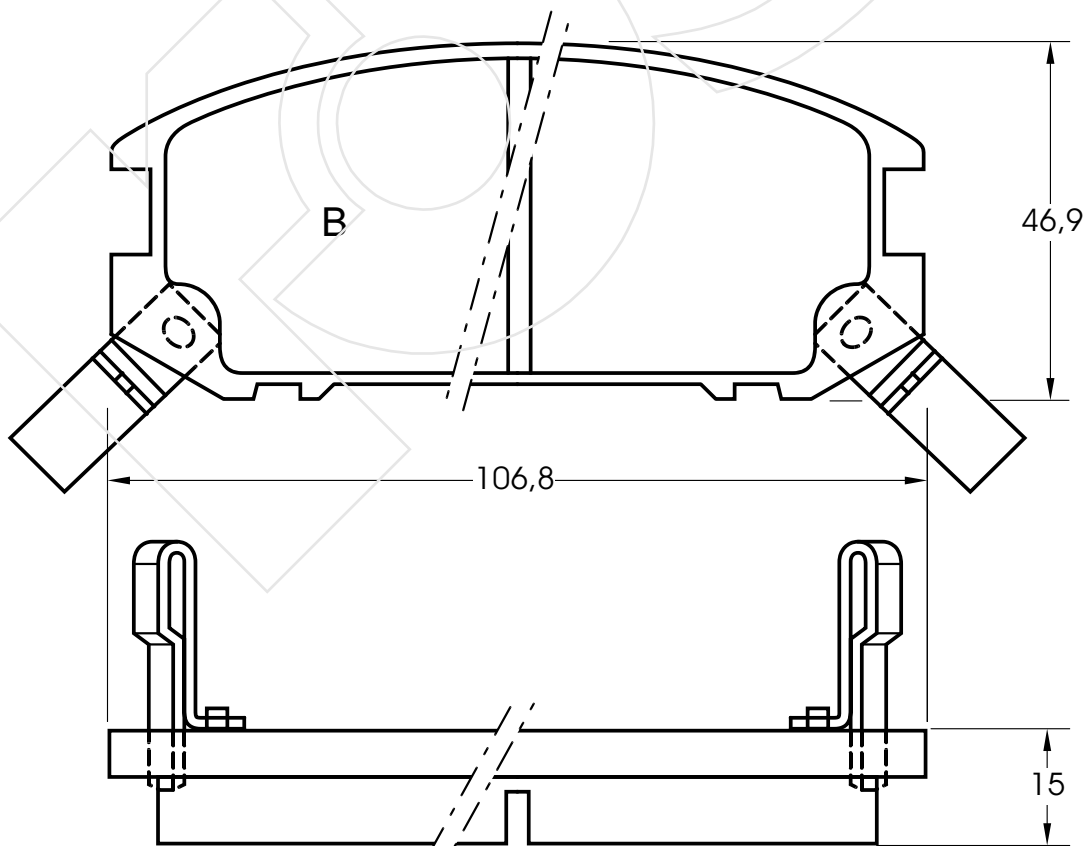
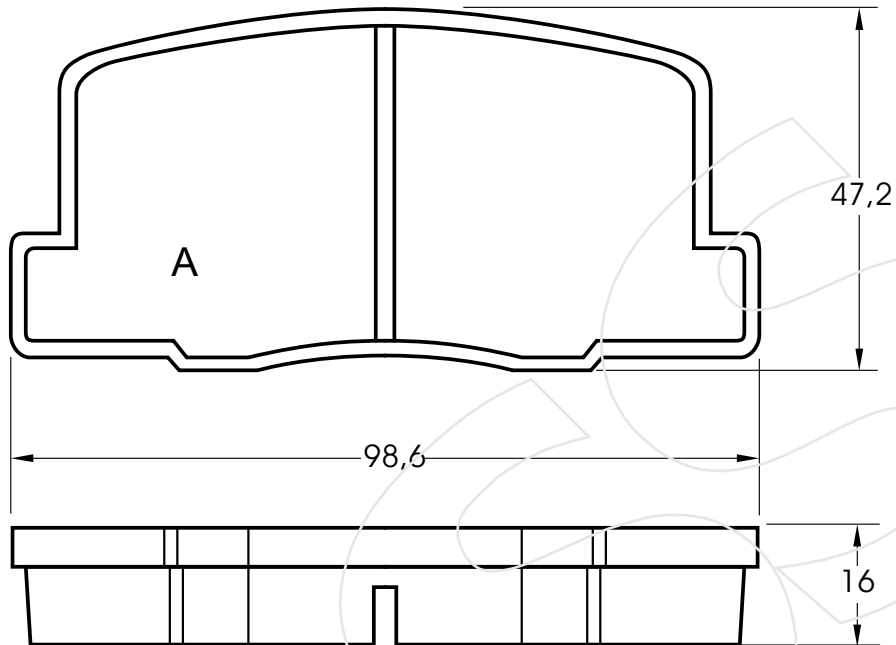
Reference in this Catalogue to other manufactures and to part numbers and other descriptions are for identification purposes only, because the above DISC BRAKE PADS are NOT ORIGINAL but with these interchangeable.

CODICE	IMPIANTO	ASSE	SCALA	APPLICAZIONI
<b>R-324</b>	AKEBONO	ANTERIORE	1:1	TOYOTA
CODICE COMPONENTI	N°	L(mm)	SERIE	
*	*	*	2 PEZZI TIPO A	
*	*	*	2 PEZZI TIPO B	
*	*	*		
*	*	*		
CODICE ACCESSORI	N°	L(mm)	NOTE	
*	*	*		
*	*	*		
*	*	*		
*	*	*		



Reference in this Catalogue to other manufactures and to part numbers and other descriptions are for identification purposes only, because the above DISC BRAKE PADS are NOT ORIGINAL but with these interchangeable.

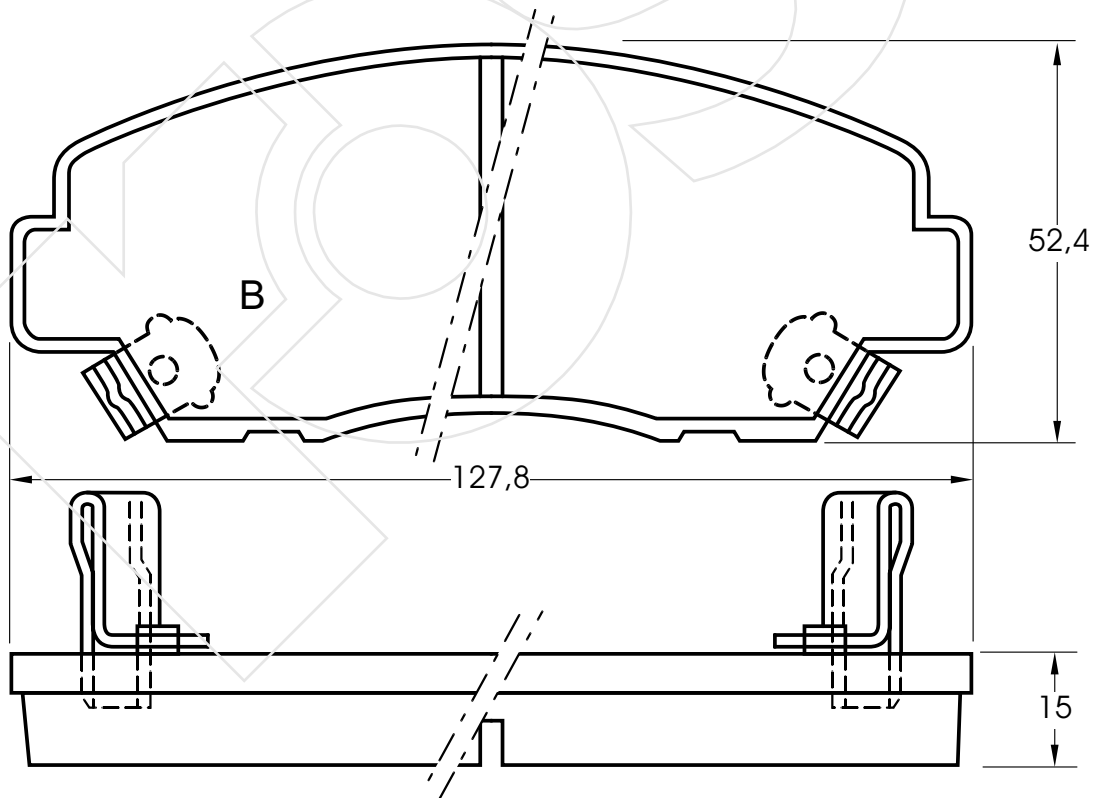
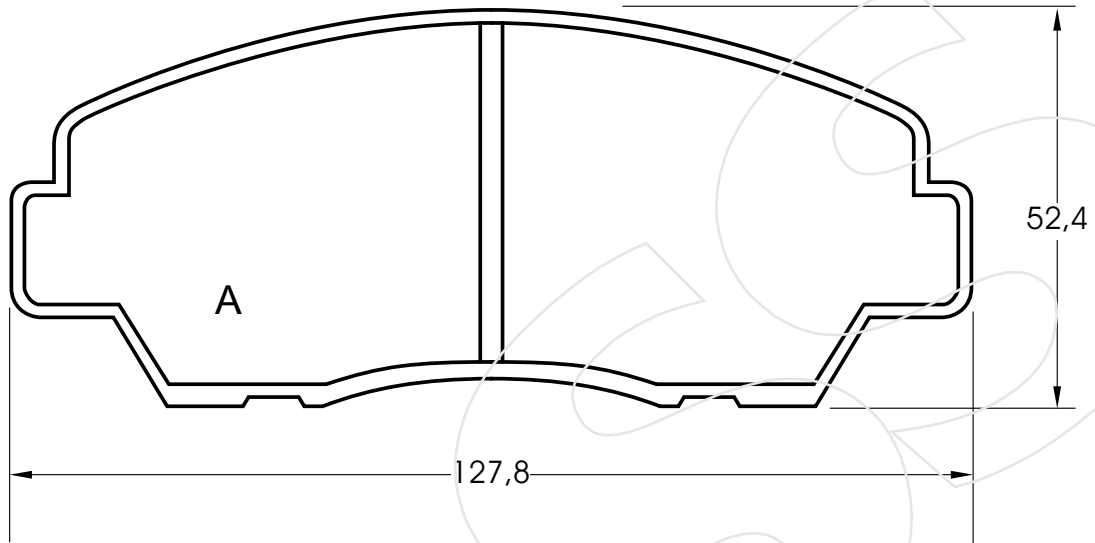
CODICE	IMPIANTO	ASSE	SCALA	APPLICAZIONI
<b>R-325</b>	AKEBONO	POSTERIORE	1:1	TOYOTA
CODICE COMPONENTI	N°	L(mm)	SERIE	
*	*	*	2 PEZZI TIPO A	
M0025	2	*	2 PEZZI TIPO B	
*	*	*		
*	*	*		
CODICE ACCESSORI	N°	L(mm)	NOTE	
*	*	*		
*	*	*		
*	*	*		
*	*	*		



Reference in this Catalogue to other manufactures and to part numbers and other descriptions are for identification purposes only, because the above DISC BRAKE PADS are NOT ORIGINAL but with these interchangeable.

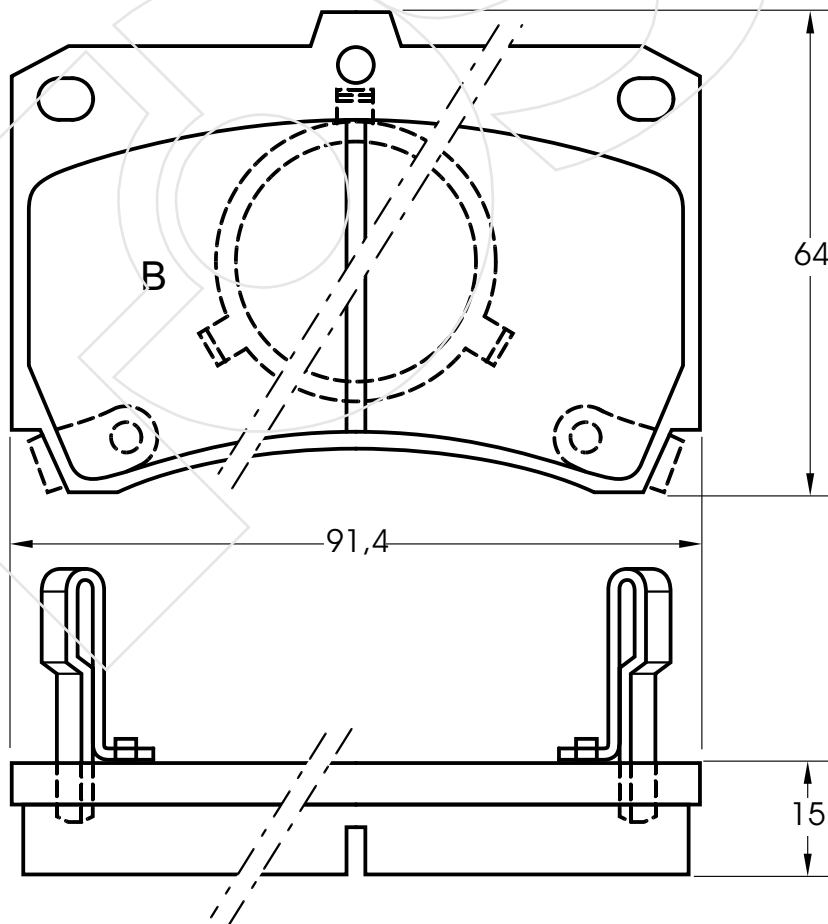
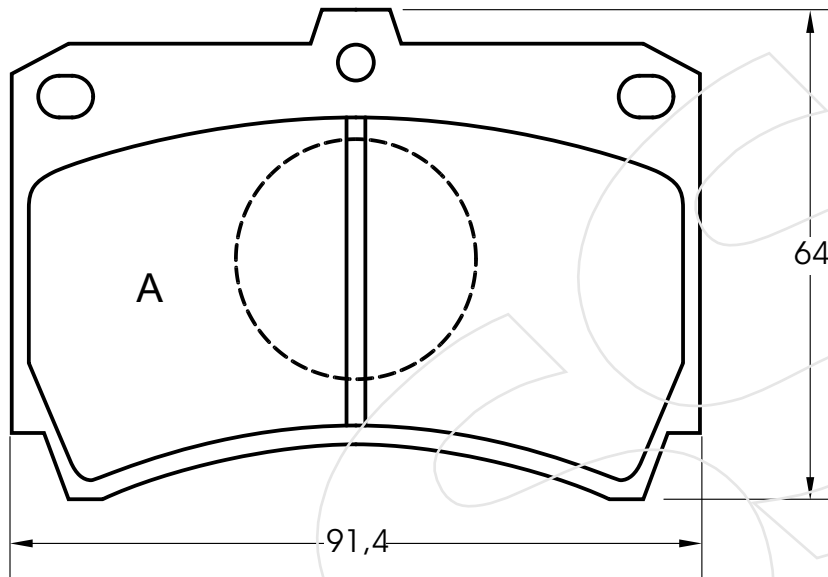


CODICE	IMPIANTO	ASSE	SCALA	APPLICAZIONI
<b>R-326</b>	SUMITOMO	ANTERIORE	1:1	MAZDA
CODICE COMPONENTI	N°	L(mm)	SERIE	
*	*	*	2 PEZZI TIPO A	
M0043	2	*	2 PEZZI TIPO B	
*	*	*		
*	*	*		
CODICE ACCESSORI	N°	L(mm)	NOTE	
*	*	*		
*	*	*		
*	*	*		
*	*	*		



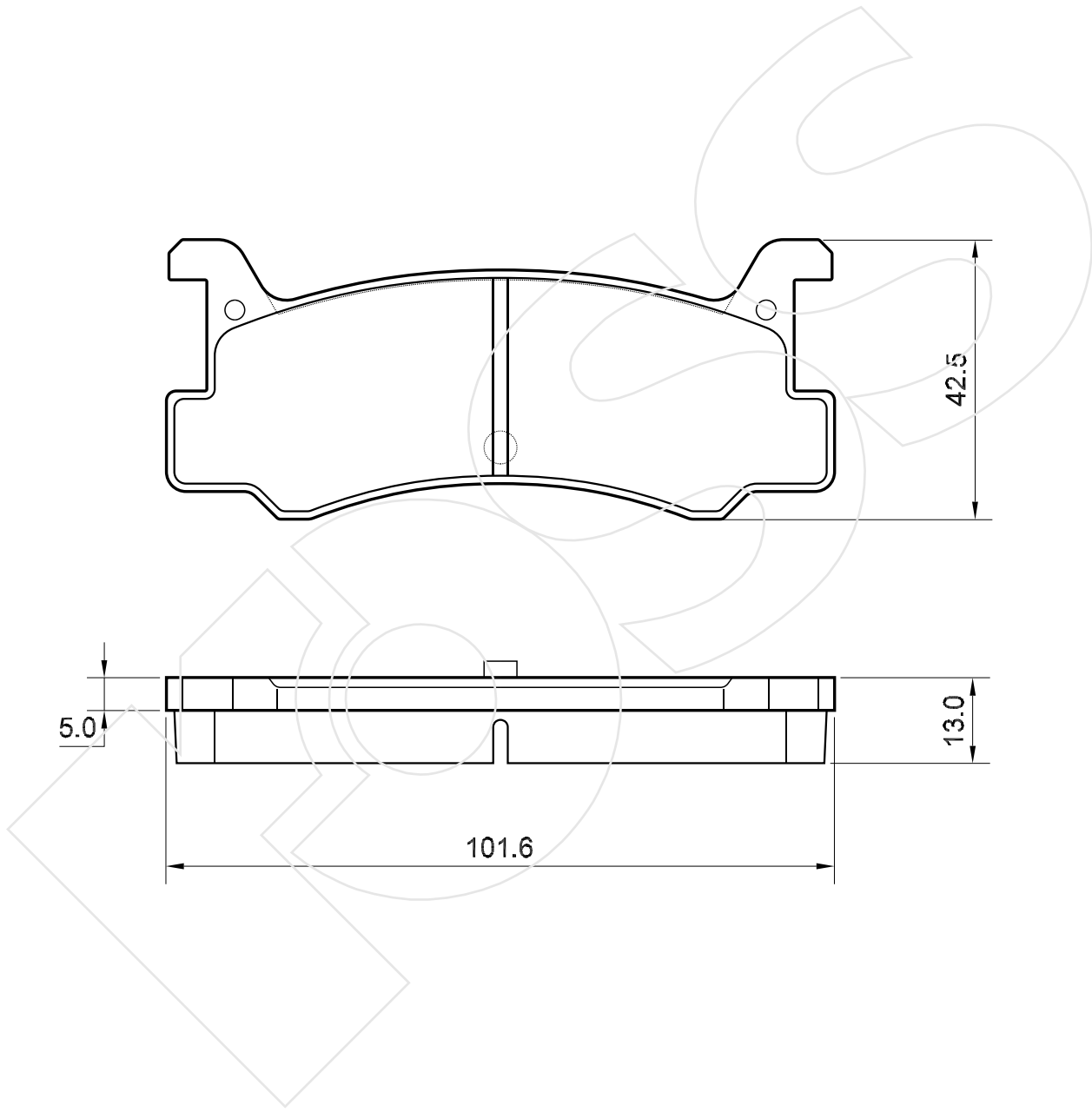
Reference in this Catalogue to other manufactures and to part numbers and other descriptions are for identification purposes only, because the above DISC BRAKE PADS are NOT ORIGINAL but with these interchangeable.

CODICE	IMPIANTO	ASSE	SCALA	APPLICAZIONI
<b>R-327</b>	SUMITOMO	ANTERIORE	1:1	MAZDA
CODICE COMPONENTI	N°	L(mm)	SERIE	
*	*	*	2 PEZZI TIPO A	
M0044+M0045	2+2	*	2 PEZZI TIPO B	
*	*	*		
*	*	*		
CODICE ACCESSORI	N°	L(mm)	NOTE	
*	*	*		
*	*	*		
*	*	*		
*	*	*		



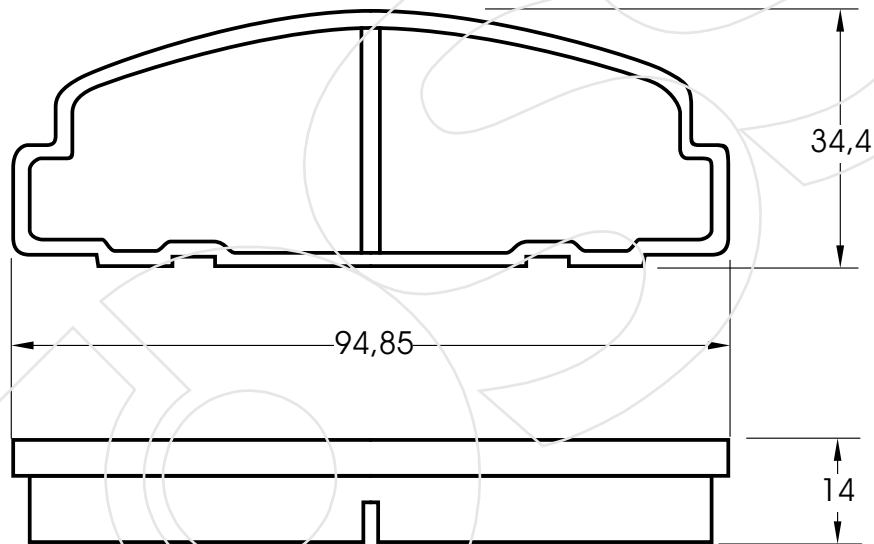
Reference in this Catalogue to other manufactures and to part numbers and other descriptions are for identification purposes only, because the above DISC BRAKE PADS are NOT ORIGINAL but with these interchangeable.

CODICE	IMPIANTO	ASSE	SCALA	APPLICAZIONI
<b>R-328</b>	AKEBONO	POSTERIORE	1:1	MAZDA
CODICE COMPONENTI	N°	L(mm)	SERIE	
*	*	*	4 PEZZI	
*	*	*		
*	*	*		
*	*	*		
CODICE ACCESSORI	N°	L(mm)	NOTE	
*	*	*		
*	*	*		
*	*	*		
*	*	*		



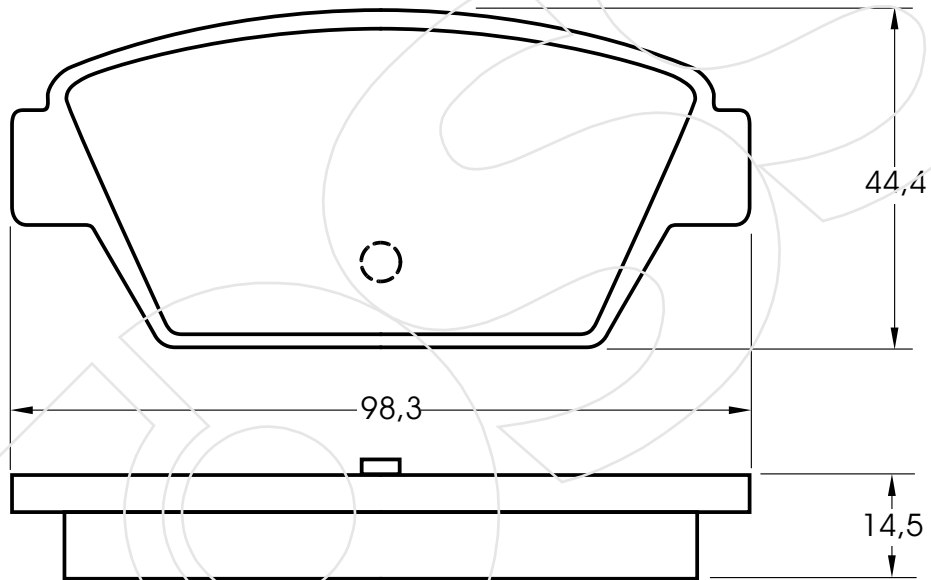
Reference in this Catalogue to other manufactures and to part numbers and other descriptions are for identification purposes only, because the above DISC BRAKE PADS are NOT ORIGINAL but with these interchangeable.

CODICE	IMPIANTO	ASSE	SCALA	APPLICAZIONI
<b>R-329</b>	AKEBONO	ANTERIORE	1:1	DAIHATSU
CODICE COMPONENTI	N°	L(mm)	SERIE	
*	*	*	4 PEZZI	
*	*	*		
*	*	*		
*	*	*		
CODICE ACCESSORI	N°	L(mm)	NOTE	
*	*	*		
*	*	*		
*	*	*		
*	*	*		



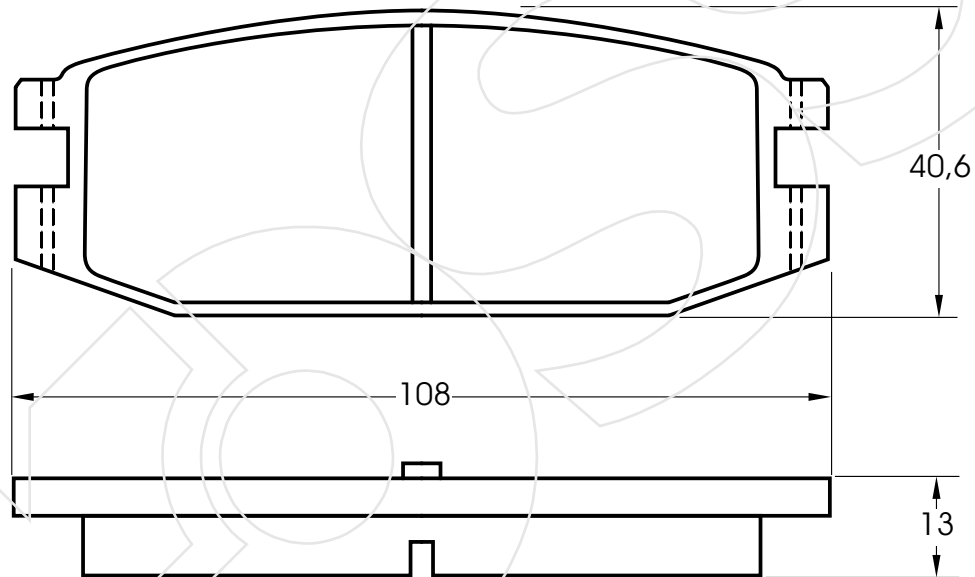
Reference in this Catalogue to other manufactures and to part numbers and other descriptions are for identification purposes only, because the above DISC BRAKE PADS are NOT ORIGINAL but with these interchangeable.

CODICE	IMPIANTO	ASSE	SCALA	APPLICAZIONI
<b>R-330</b>	AKEBONO	POSTERIORE	1:1	MITSUBISHI
CODICE COMPONENTI	N°	L(mm)	SERIE	
*	*	*	4 PEZZI	
*	*	*		
*	*	*		
*	*	*		
CODICE ACCESSORI	N°	L(mm)	NOTE	
*	*	*		
*	*	*		
*	*	*		
*	*	*		



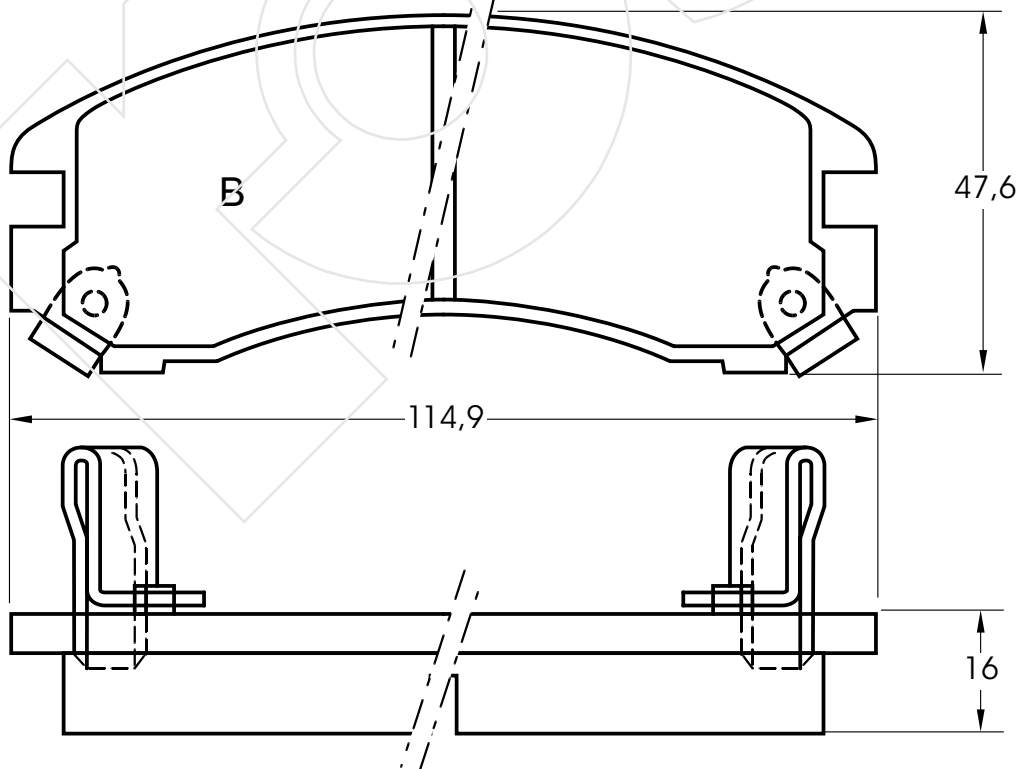
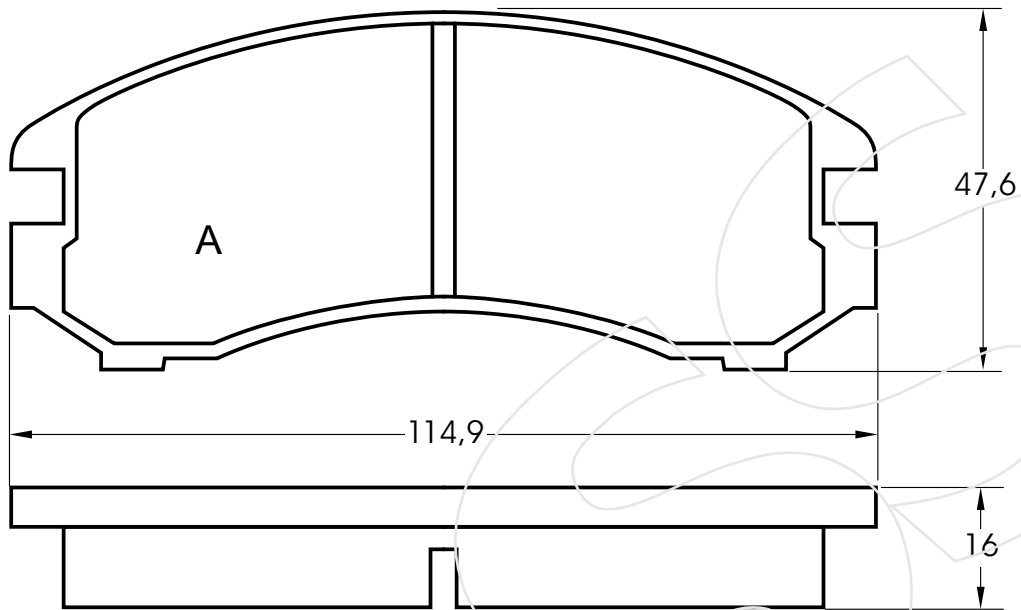
Reference in this Catalogue to other manufactures and to part numbers and other descriptions are for identification purposes only, because the above DISC BRAKE PADS are NOT ORIGINAL but with these interchangeable.

CODICE	IMPIANTO		ASSE	SCALA	APPLICAZIONI
<b>R-331</b>	AKEBONO		ANTERIORE	1:1	MITSUBISHI
CODICE COMPONENTI	N°	L(mm)	SERIE		
*	*	*	4 PEZZI		
*	*	*			
*	*	*			
*	*	*			
CODICE ACCESSORI	N°	L(mm)	NOTE		
*	*	*			
*	*	*			
*	*	*			
*	*	*			



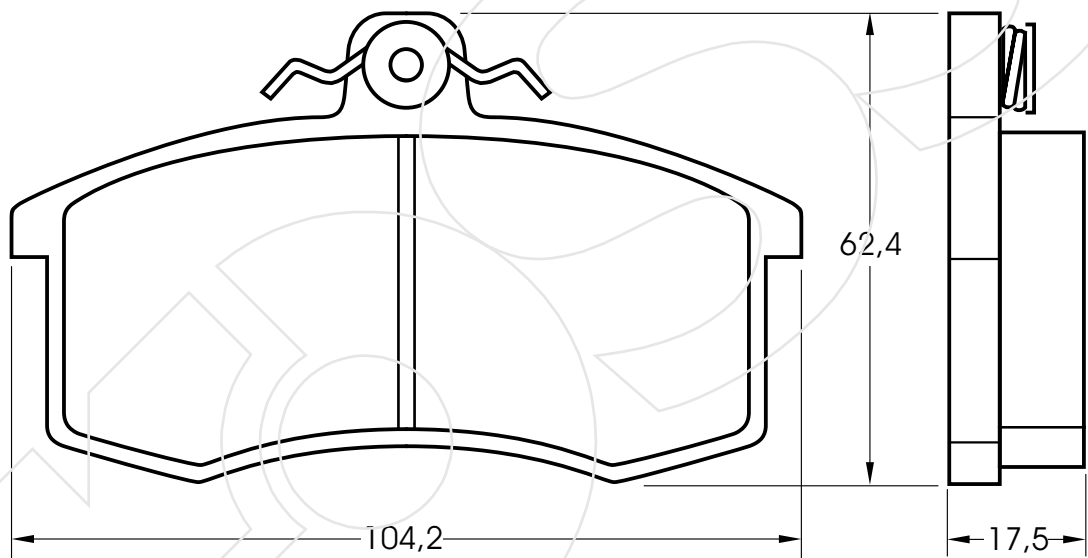
Reference in this Catalogue to other manufactures and to part numbers and other descriptions are for identification purposes only, because the above DISC BRAKE PADS are NOT ORIGINAL but with these interchangeable.

CODICE	IMPIANTO		ASSE	SCALA	APPLICAZIONI
<b>R-332</b>	AKEBONO		ANTERIORE	1:1	NISSAN-DATSUN SUZUKI
CODICE COMPONENTI	N°	L(mm)	SERIE		
*	*	*	2 PEZZI TIPO A		
M0036	2	*	2 PEZZI TIPO B		
*	*	*			
CODICE ACCESSORI	N°	L(mm)	NOTE		
*	*	*			
*	*	*			
*	*	*			
*	*	*			



Reference in this Catalogue to other manufactures and to part numbers and other descriptions are for identification purposes only, because the above DISC BRAKE PADS are NOT ORIGINAL but with these interchangeable.

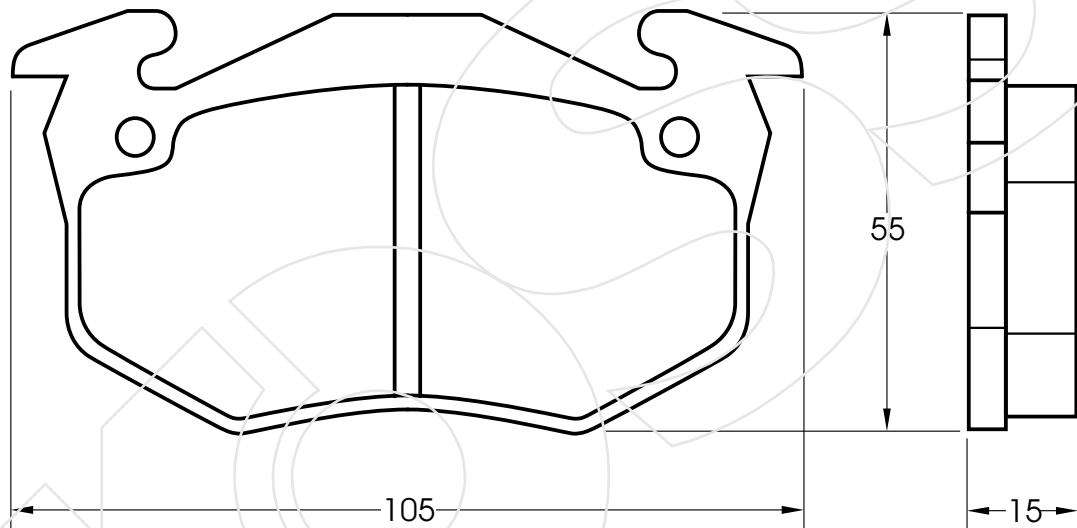
CODICE	IMPIANTO	ASSE	SCALA	APPLICAZIONI
<b>R-333</b>	GIRLING	ANTERIORE	1:1	LADA
CODICE COMPONENTI	N°	L(mm)	SERIE	
M0030+P1012	4+4	*	4 PEZZI	
*	*	*	*	
*	*	*	*	
*	*	*	*	
CODICE ACCESSORI	N°	L(mm)	NOTE	
*	*			
*	*			
*	*			
*	*			



Reference in this Catalogue to other manufactures and to part numbers and other descriptions are for identification purposes only, because the above DISC BRAKE PADS are NOT ORIGINAL but with these interchangeable.

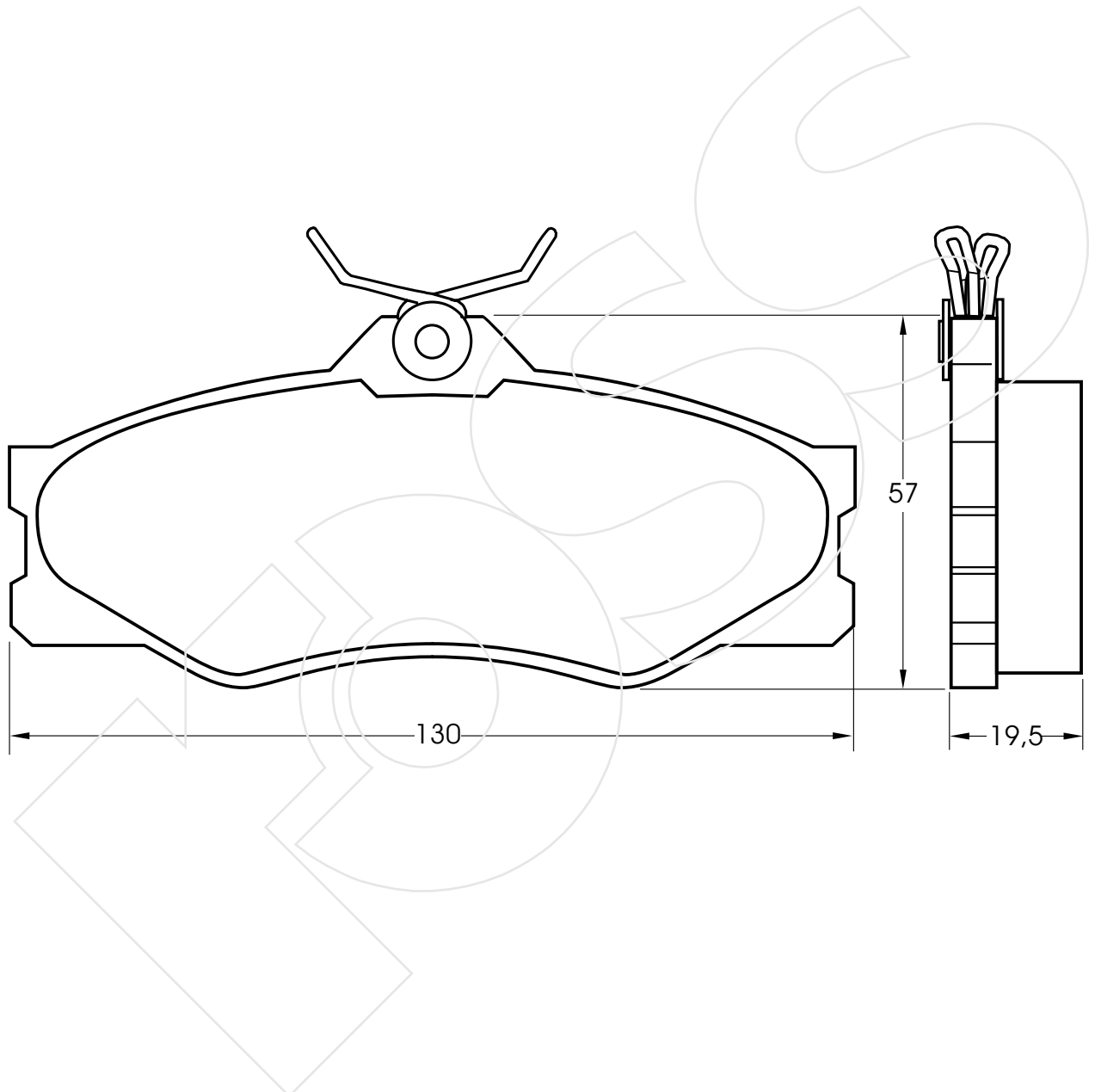


CODICE	IMPIANTO	ASSE	SCALA	APPLICAZIONI
<b>R-334</b>	BENDIX	ANTERIORE	1:1	RENAULT
CODICE COMPONENTI	N°	L(mm)	SERIE	
*	*	*	4 PEZZI	
F3053	2	200		
*	*	*		
*	*	*		
CODICE ACCESSORI	N°	L(mm)	NOTE	
*	*	*		
*	*	*		
*	*	*		
*	*	*		



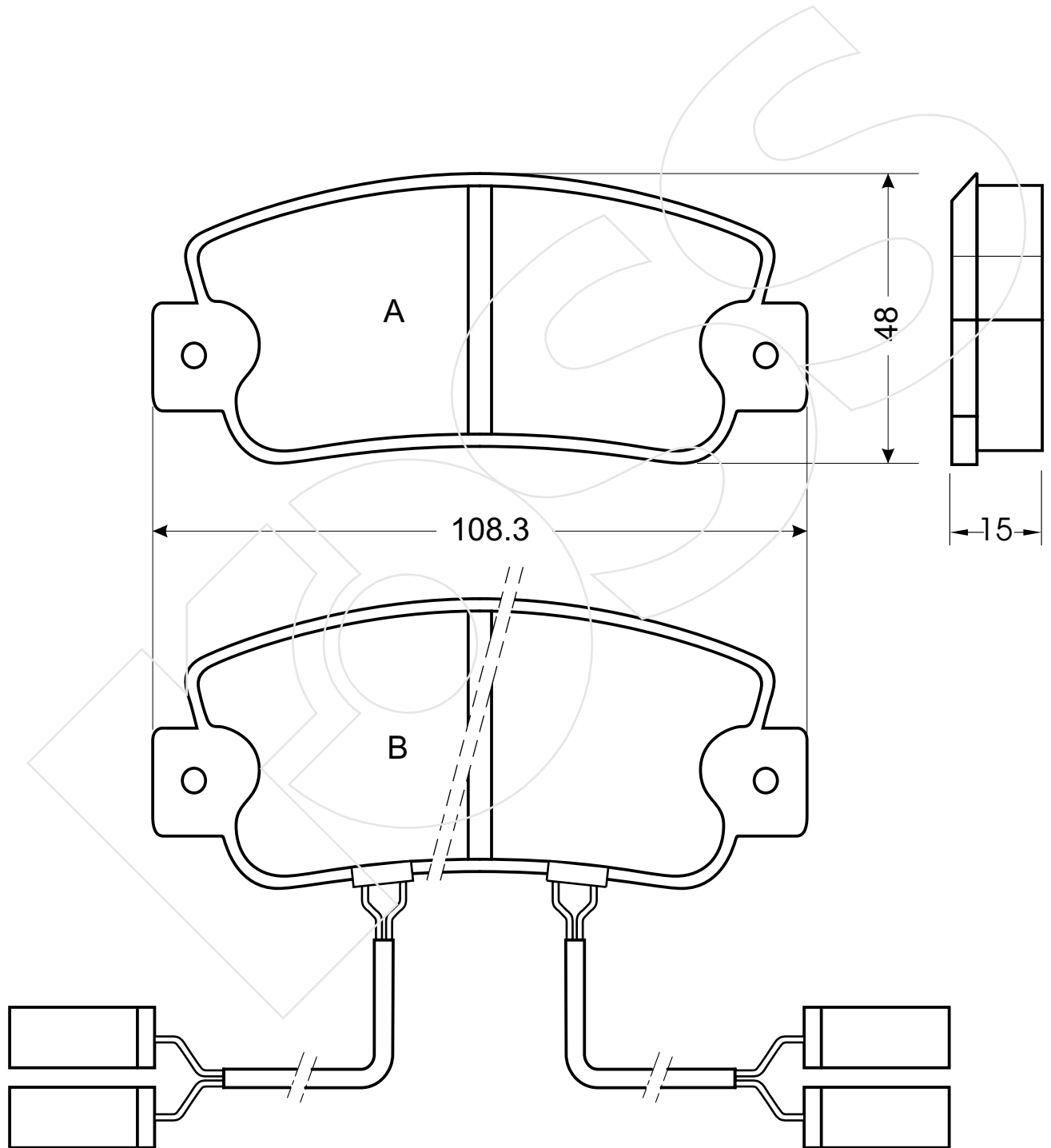
Reference in this Catalogue to other manufactures and to part numbers and other descriptions are for identification purposes only, because the above DISC BRAKE PADS are NOT ORIGINAL but with these interchangeable.

CODICE	IMPIANTO	ASSE	SCALA	APPLICAZIONI
<b>R-335</b>	GIRLING	ANTERIORE	1:1	VOLKSWAGEN
CODICE COMPONENTI	N°	L(mm)	SERIE	
M0015+P1004	4+4	*	4 PEZZI	
*	*	*		
*	*	*		
*	*	*		
CODICE ACCESSORI	N°	L(mm)	NOTE	
*	*	*		
*	*	*		
*	*	*		
*	*	*		



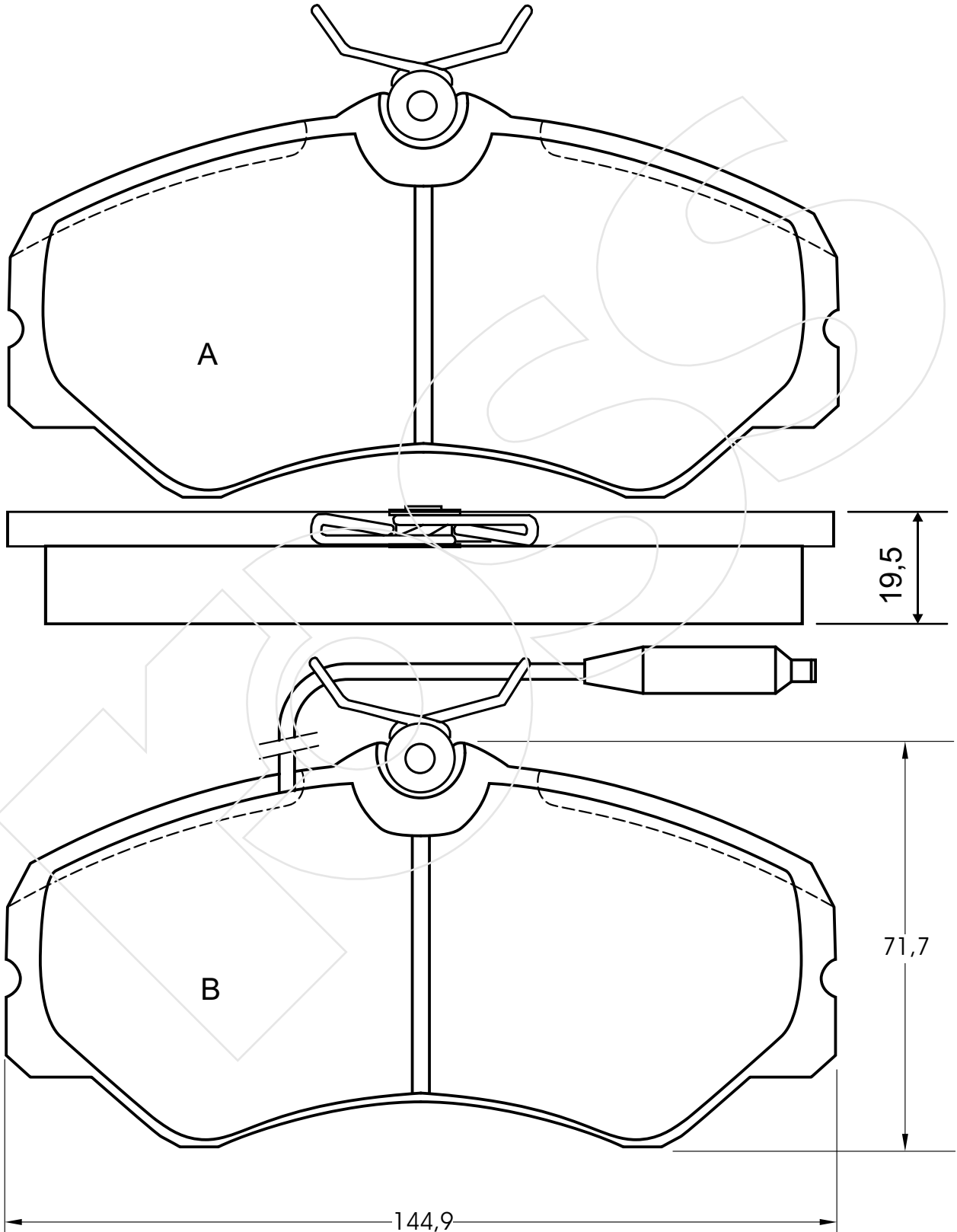
Reference in this Catalogue to other manufactures and to part numbers and other descriptions are for identification purposes only, because the above DISC BRAKE PADS are NOT ORIGINAL but with these interchangeable.

CODICE	IMPIANTO		ASSE	SCALA	APPLICAZIONI
<b>R-336</b>	BENDIX		ANTERIORE	1:1	ALFAROMEIO
CODICE COMPONENTI	N°	L(mm)	SERIE		
*	*	*	2 PEZZI TIPO A		
F3026	2	800	2 PEZZI TIPO B		
*	*	*	*		
*	*	*	*		
CODICE ACCESSORI	N°	L(mm)	NOTE		
*	*	*	*		
*	*	*	*		
*	*	*	*		
*	*	*	*		



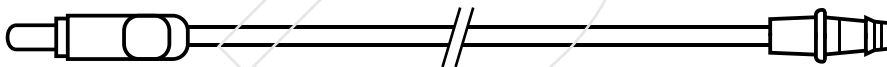
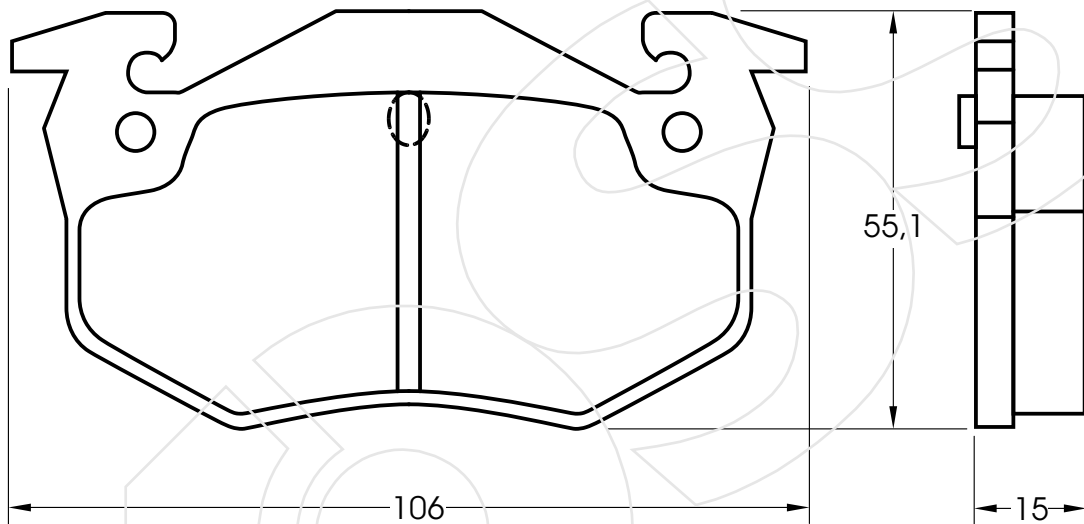
Reference in this Catalogue to other manufactures and to part numbers and other descriptions are for identification purposes only, because the above DISC BRAKE PADS are NOT ORIGINAL but with these interchangeable.

CODICE	IMPIANTO	ASSE	SCALA	APPLICAZIONI
<b>R-337</b>	GIRLING	ANTERIORE	1:1	CITROEN FIAT PEUGEOT
CODICE COMPONENTI	N°	L(mm)	SERIE	
M0015+P1004	2+2	*	2 PEZZI TIPO A	
M0015+P1004+F3018	2+2+2	200	2 PEZZI TIPO B	
*	*	*		
CODICE ACCESSORI	N°	L(mm)	NOTE	
*	*	*		
*	*	*		
*	*	*		
*	*	*		



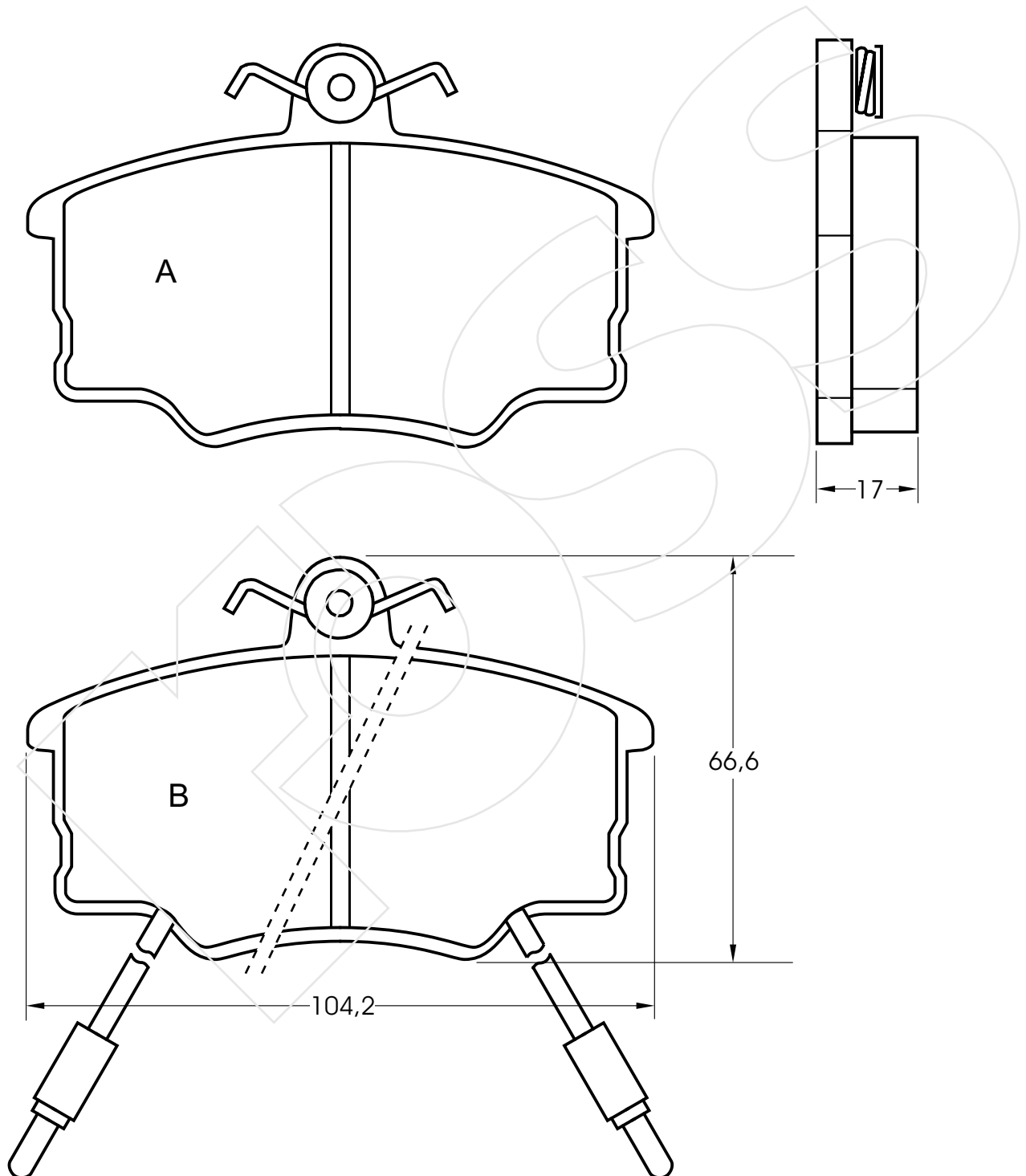
Reference in this Catalogue to other manufactures and to part numbers and other descriptions are for identification purposes only, because the above DISC BRAKE PADS are NOT ORIGINAL but with these interchangeable.

CODICE	IMPIANTO		ASSE	SCALA	APPLICAZIONI
<b>R-338</b>	BENDIX		POSTERIORE	1:1	RENAULT PEUGEOT
CODICE COMPONENTI	N°	L(mm)	SERIE		
*	*	*	4 PEZZI		
F3053	2	200			
*	*	*			
*	*	*			
*	*	*			
CODICE ACCESSORI	N°	L(mm)	NOTE		
*	*	*	*		
*	*	*	*		
*	*	*	*		
*	*	*	*		



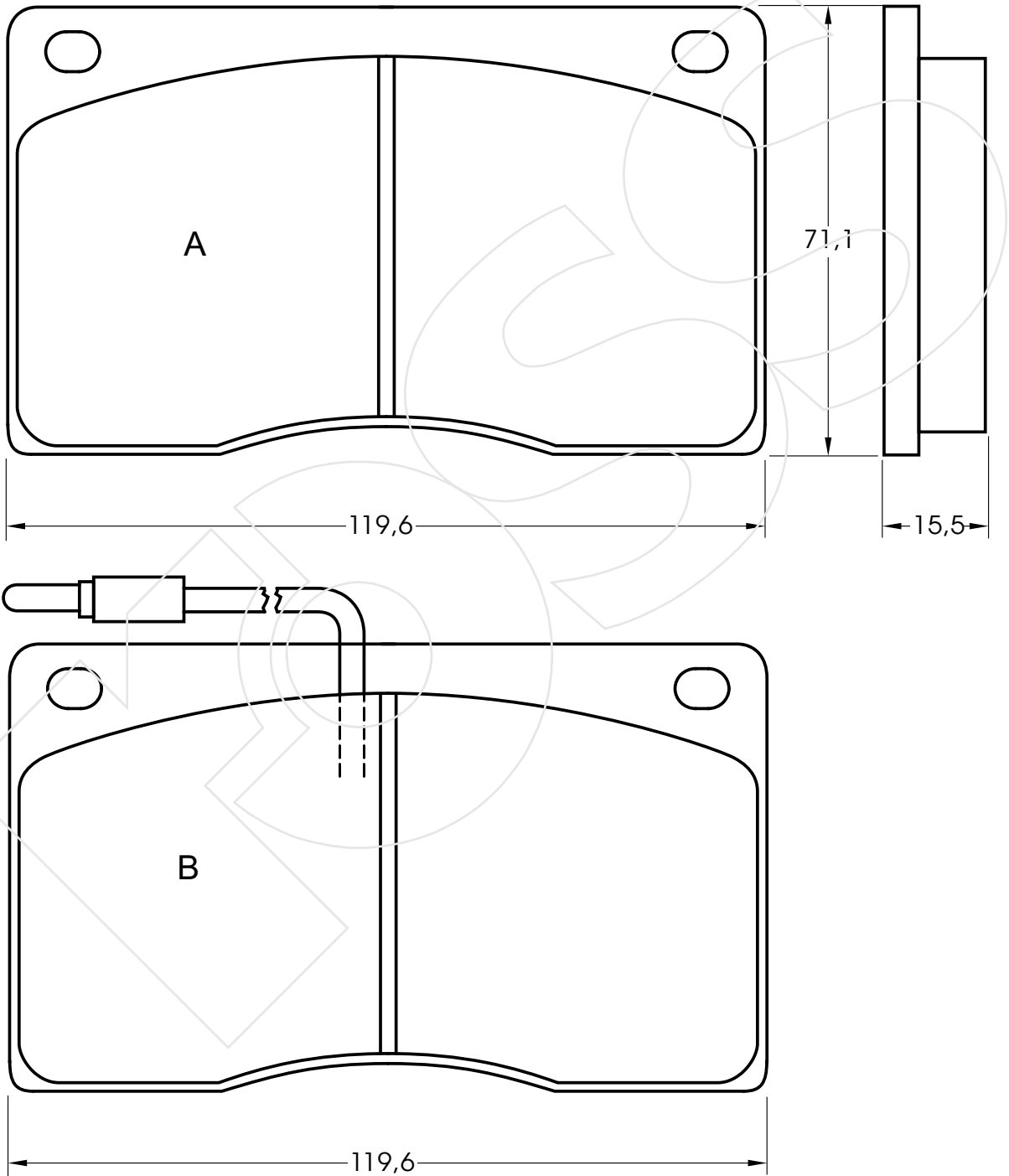
Reference in this Catalogue to other manufactures and to part numbers and other descriptions are for identification purposes only, because the above DISC BRAKE PADS are NOT ORIGINAL but with these interchangeable.

CODICE	IMPIANTO		ASSE	SCALA	APPLICAZIONI
<b>R-339</b>	GIRLING		ANTERIORE	1:1	FIAT LANCIA
CODICE COMPONENTI	N°	L(mm)	SERIE		
M0077+P1011	2+2	*	2 PEZZI TIPO A		
M0077+P1011+F3001	2+2+2	110	2 PEZZI TIPO B		
*	*	*			
*	*	*			
CODICE ACCESSORI	N°	L(mm)	NOTE		
*	*	*			
*	*	*			
*	*	*			
*	*	*			



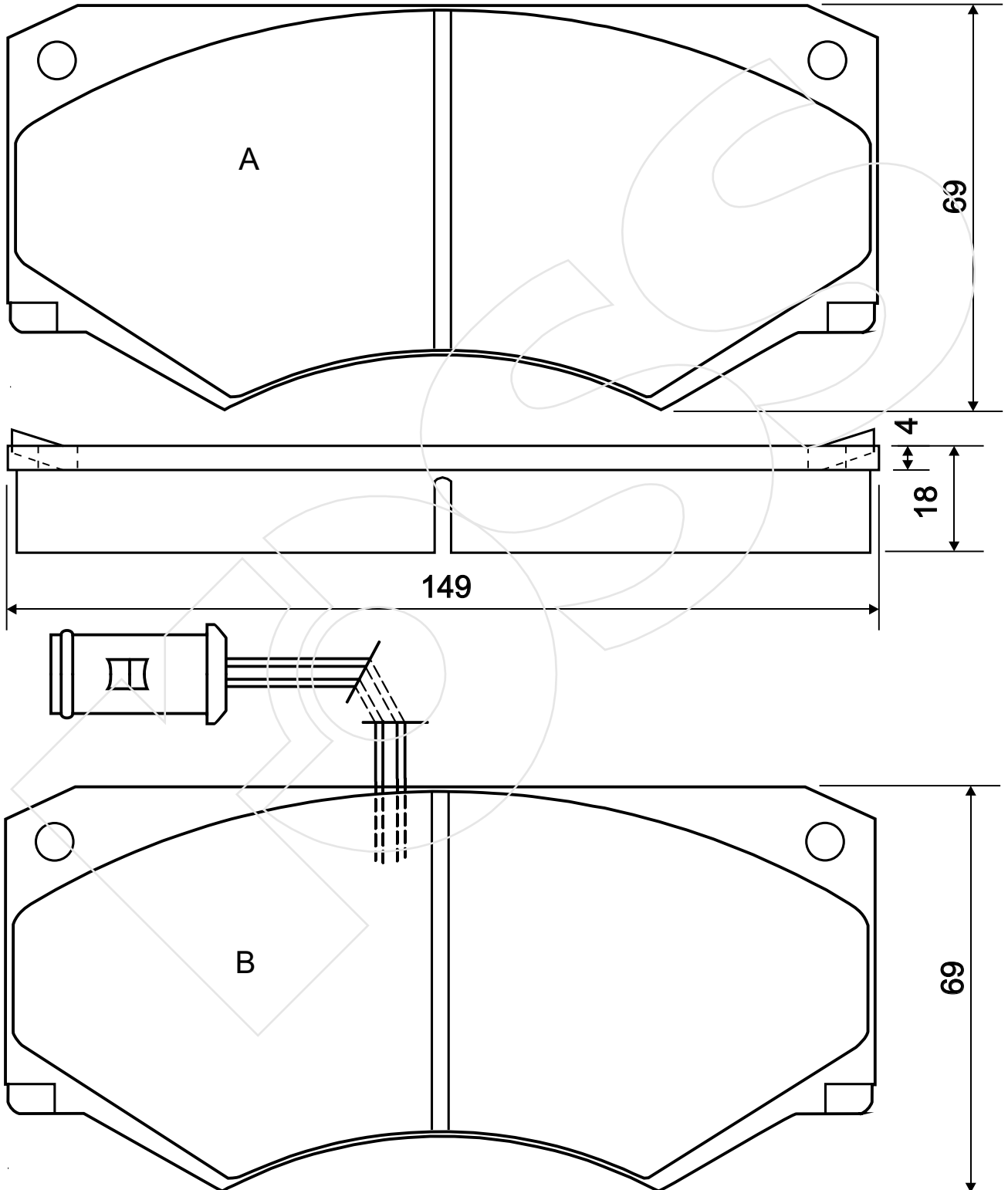
Reference in this Catalogue to other manufactures and to part numbers and other descriptions are for identification purposes only, because the above DISC BRAKE PADS are NOT ORIGINAL but with these interchangeable.

CODICE	IMPIANTO	ASSE	SCALA	APPLICAZIONI
<b>R-340</b>	GIRLING	ANTERIORE	1:1	RENAULT
CODICE COMPONENTI	N°	L(mm)	SERIE	
*	*	*	2 PEZZI TIPO A	
F3001	2	110	2 PEZZI TIPO B	
*	*	*		
*	*	*		
CODICE ACCESSORI	N°	L(mm)	NOTE	
*	*	*		
*	*	*		
*	*	*		
*	*	*		



Reference in this Catalogue to other manufactures and to part numbers and other descriptions are for identification purposes only, because the above DISC BRAKE PADS are NOT ORIGINAL but with these interchangeable.

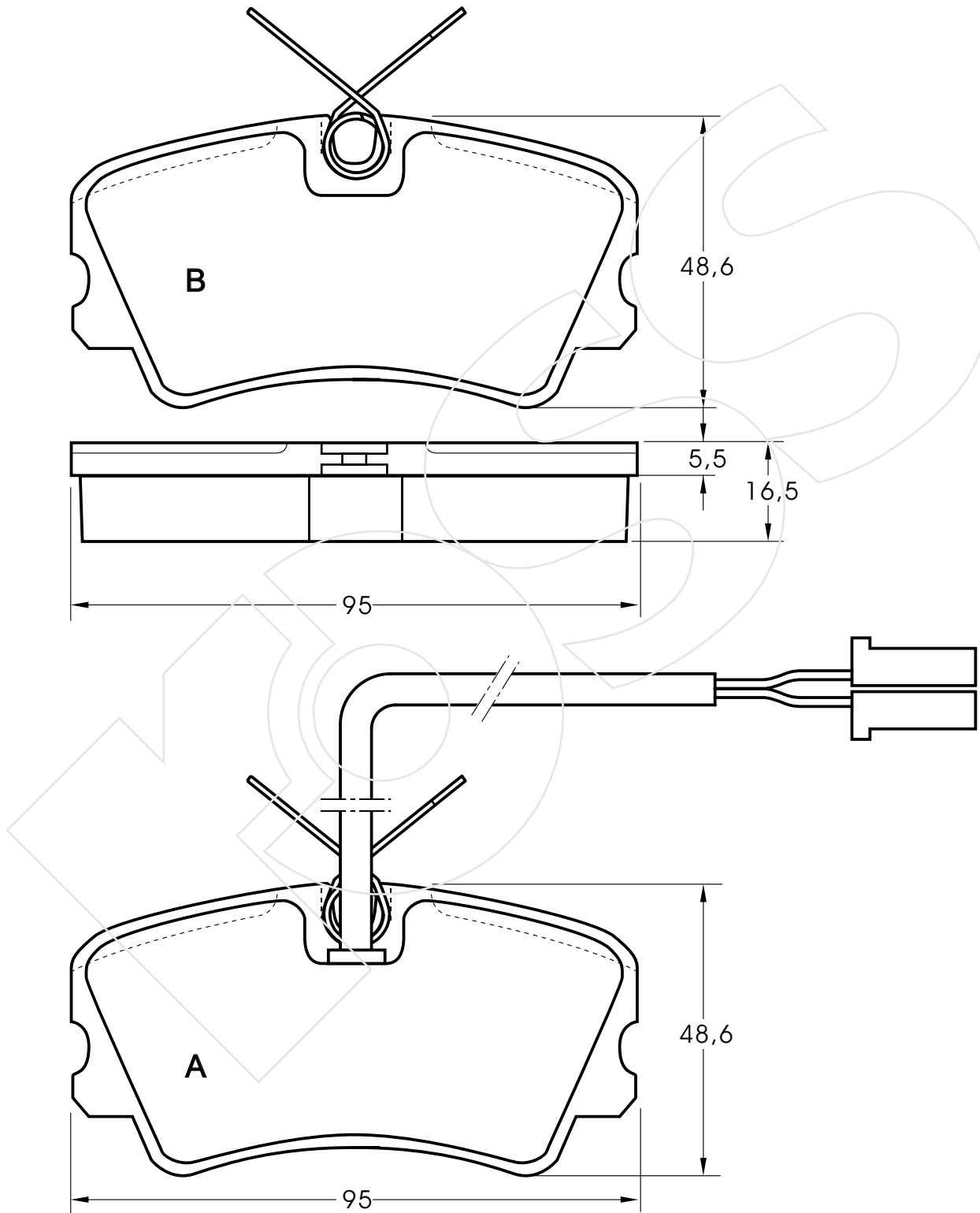
CODICE	IMPIANTO		ASSE	SCALA	APPLICAZIONI
<b>R-341</b>	PERROT		ANTERIORE	1:1	FIAT
CODICE COMPONENTI	N°	L(mm)	SERIE		
*	*	*	2 PEZZI TIPO A		
F3011	2	170	2 PEZZI TIPO B		
*	*	*			
*	*	*			
CODICE ACCESSORI	N°	L(mm)	NOTE		
*	*	*			
*	*	*			
*	*	*			
*	*	*			



Reference in this Catalogue to other manufactures and to part numbers and other descriptions are for identification purposes only, because the above DISC BRAKE PADS are NOT ORIGINAL but with these interchangeable.

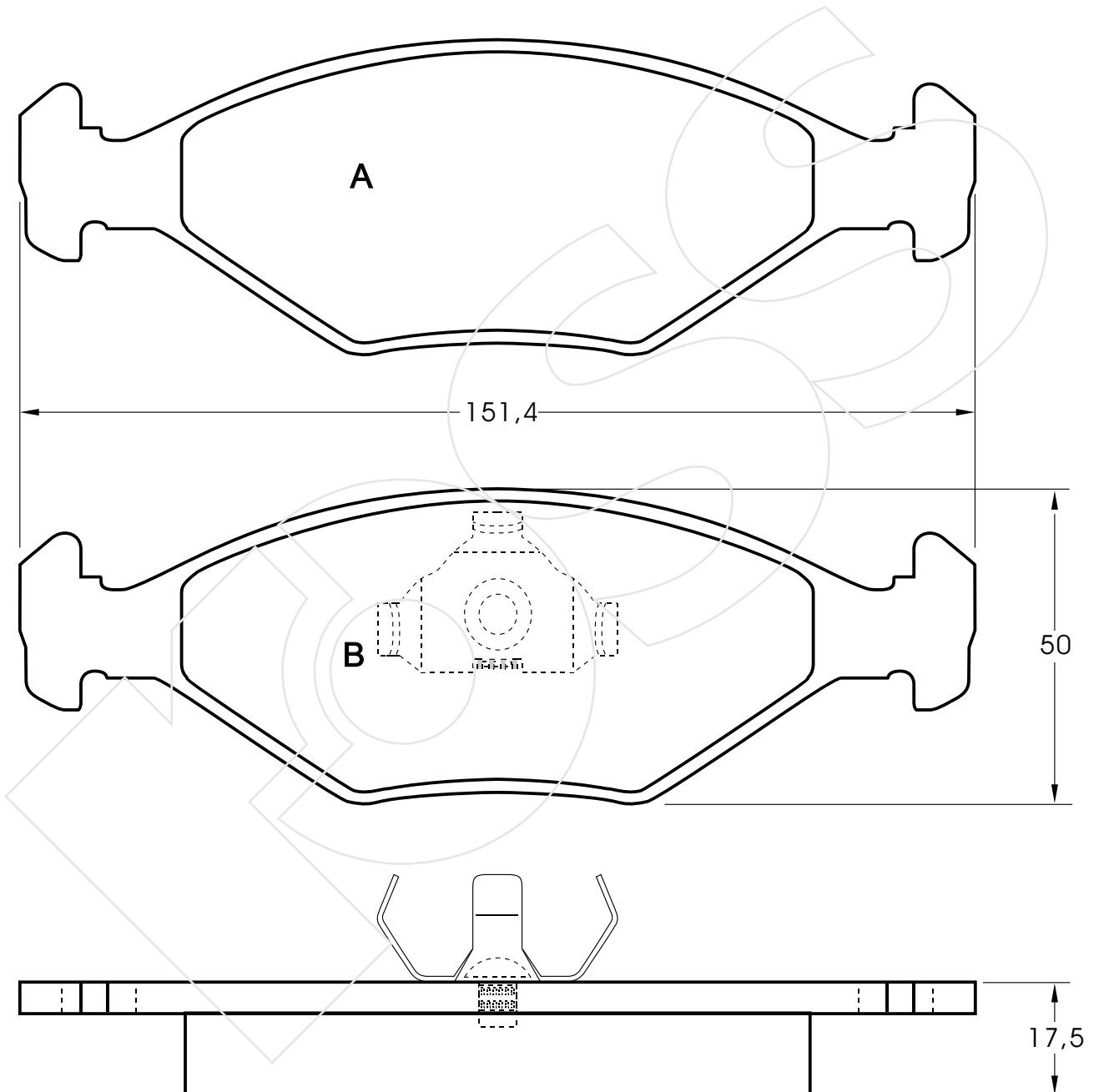


CODICE	IMPIANTO		ASSE	SCALA	APPLICAZIONI
<b>R-342</b>	ATE		ANTERIORE	1:1	ALFAROMEIO
CODICE COMPONENTI	N°	L(mm)	SERIE		
M0046	2	*	2 PEZZI TIPO A		
M0046+F3026	2+2	800	2 PEZZI TIPO B		
*	*				
CODICE ACCESSORI	N°	L(mm)	NOTE		
*	*		*		
*	*		*		
*	*		*		
*	*		*		



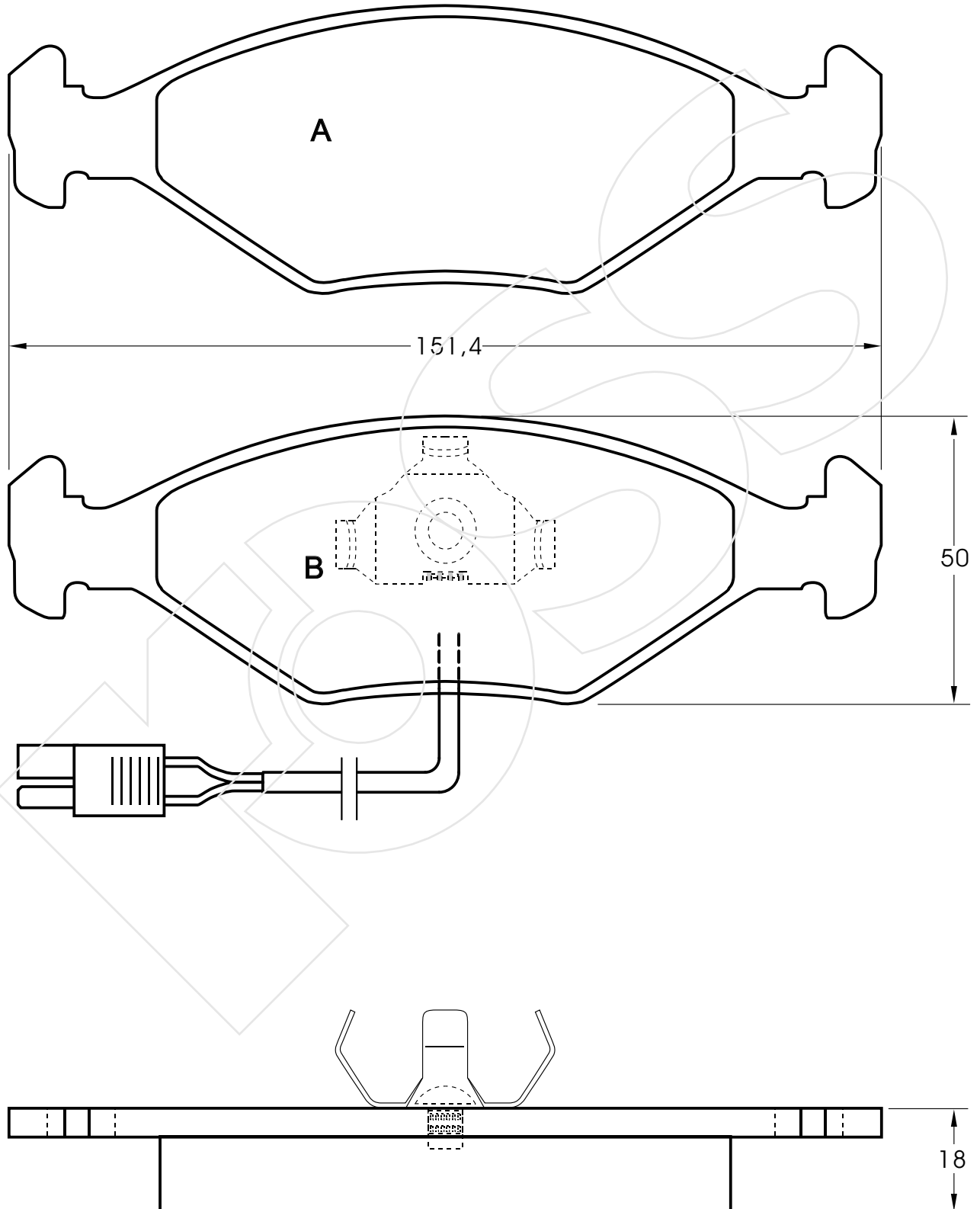
Reference in this Catalogue to other manufactures and to part numbers and other descriptions are for identification purposes only, because the above DISC BRAKE PADS are NOT ORIGINAL but with these interchangeable.

CODICE	IMPIANTO		ASSE	SCALA	APPLICAZIONI
<b>R-343-1</b>	ATE		ANTERIORE	1:1	FIAT
CODICE COMPONENTI	N°	L(mm)	SERIE		
*	*	*	2 PEZZI TIPO A		
M0011+P1002	2+2	*	2 PEZZI TIPO B		
*	*	*			
CODICE ACCESSORI	N°	L(mm)	NOTE		
*	*	*			
*	*	*			
*	*	*			
*	*	*			



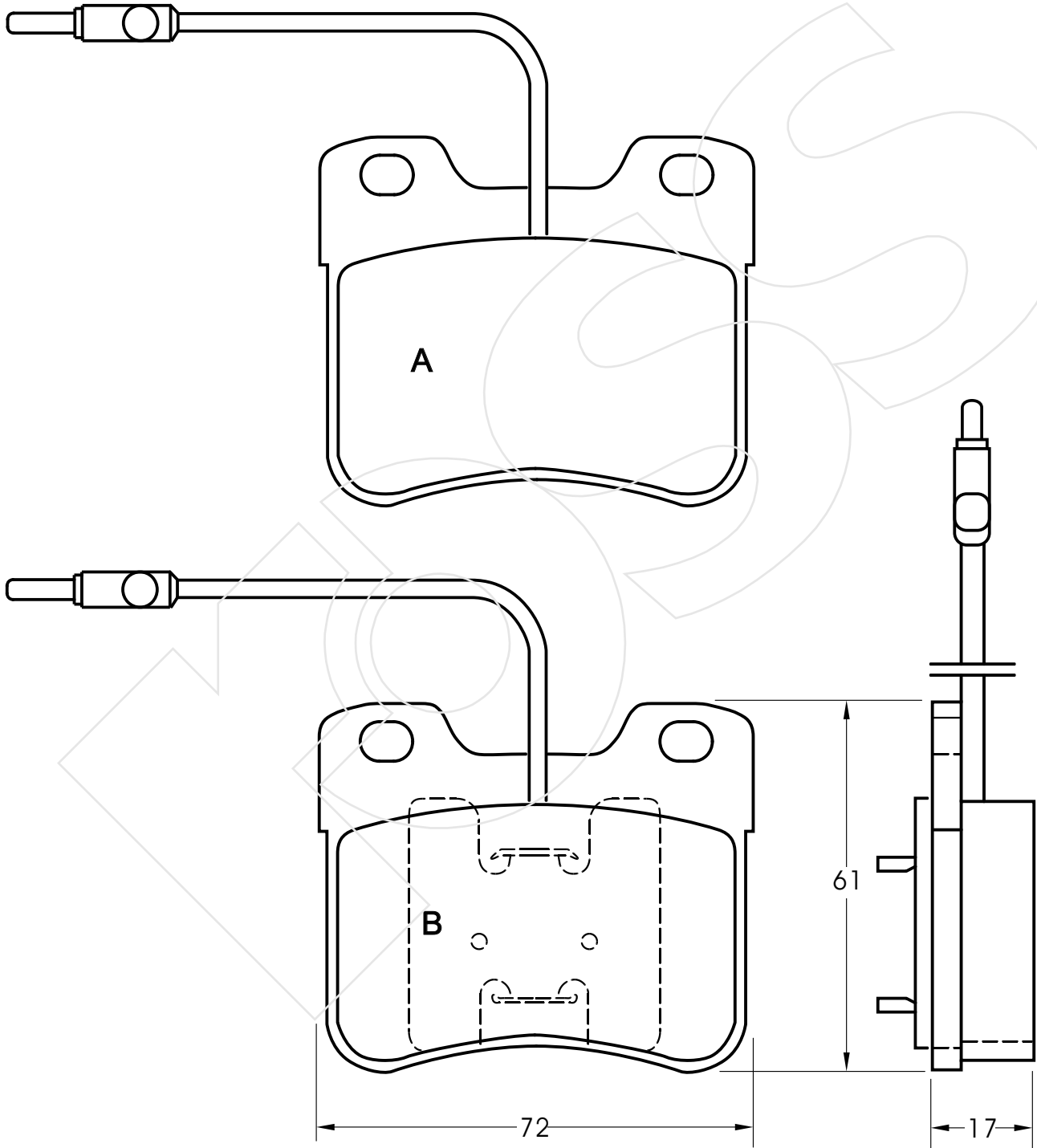
Reference in this Catalogue to other manufactures and to part numbers and other descriptions are for identification purposes only, because the above DISC BRAKE PADS are NOT ORIGINAL but with these interchangeable.

CODICE	IMPIANTO		ASSE	SCALA	APPLICAZIONI
<b>R-343</b>	ATE		ANTERIORE	1:1	FIAT
CODICE COMPONENTI	N°	L(mm)	SERIE		
*	*	*	2 PEZZI TIPO A		
M0011+P1002+F3031	2+2+2	810	2 PEZZI TIPO B		
*	*	*			
CODICE ACCESSORI	N°	L(mm)	NOTE		
*	*	*	*		
*	*	*	*		
*	*	*	*		
*	*	*	*		



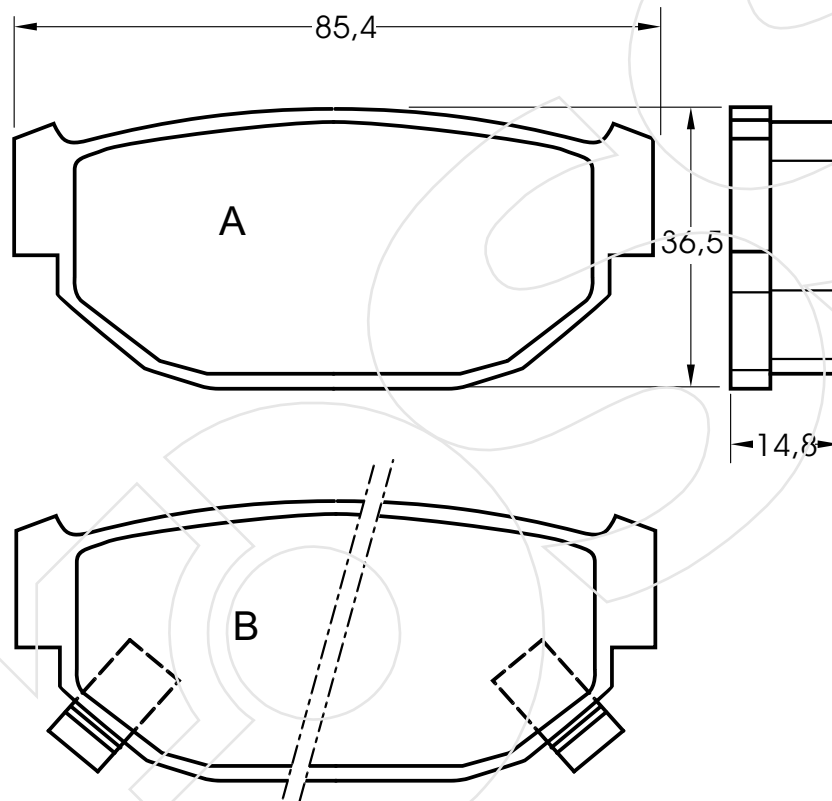
Reference in this Catalogue to other manufactures and to part numbers and other descriptions are for identification purposes only, because the above DISC BRAKE PADS are NOT ORIGINAL but with these interchangeable.

CODICE	IMPIANTO		ASSE	SCALA	APPLICAZIONI
<b>R-344</b>	CITROEN		ANTERIORE	1:1	CITROEN
CODICE COMPONENTI	N°	L(mm)	SERIE		
F3004	2	175	2 PEZZI TIPO A		
M0113+F3004	2+2	175	2 PEZZI TIPO B		
*	*				
CODICE ACCESSORI	N°	L(mm)	NOTE		
*	*		*		
*	*		*		
*	*		*		
*	*		*		



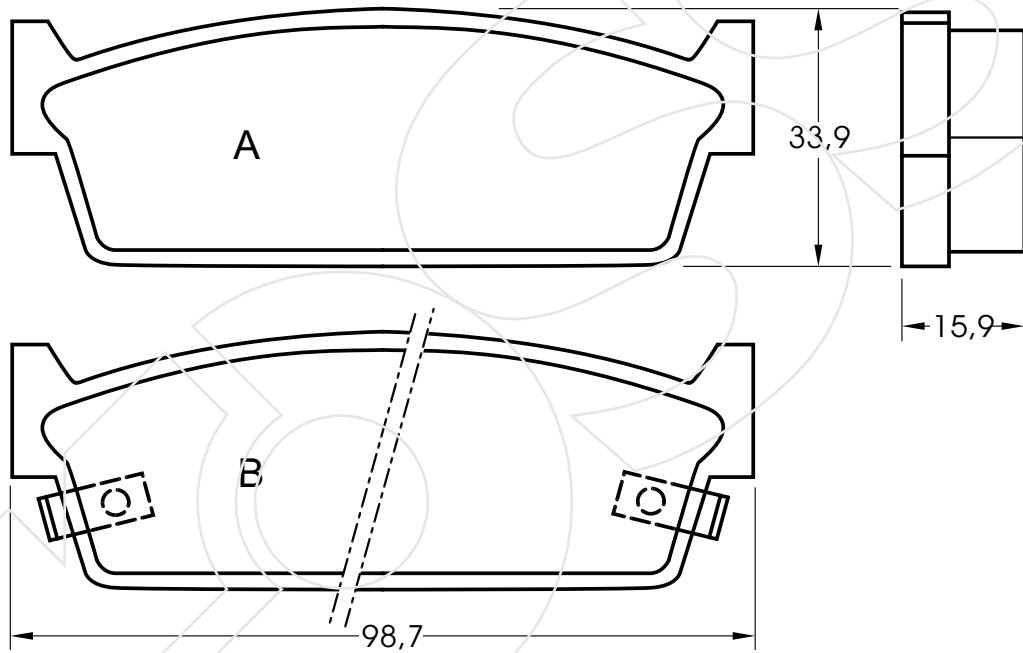
Reference in this Catalogue to other manufactures and to part numbers and other descriptions are for identification purposes only, because the above DISC BRAKE PADS are NOT ORIGINAL but with these interchangeable.

CODICE	IMPIANTO	ASSE	SCALA	APPLICAZIONI
<b>R-346</b>	AKEBONO	POSTERIORE	1:1	SUBARU
CODICE COMPONENTI	N°	L(mm)	SERIE	
*	*	*	2 PEZZI TIPO A	
M0047	2	*	2 PEZZI TIPO B	
*	*			
CODICE ACCESSORI	N°	L(mm)	NOTE	
*	*		*	
*	*		*	
*	*		*	
*	*		*	



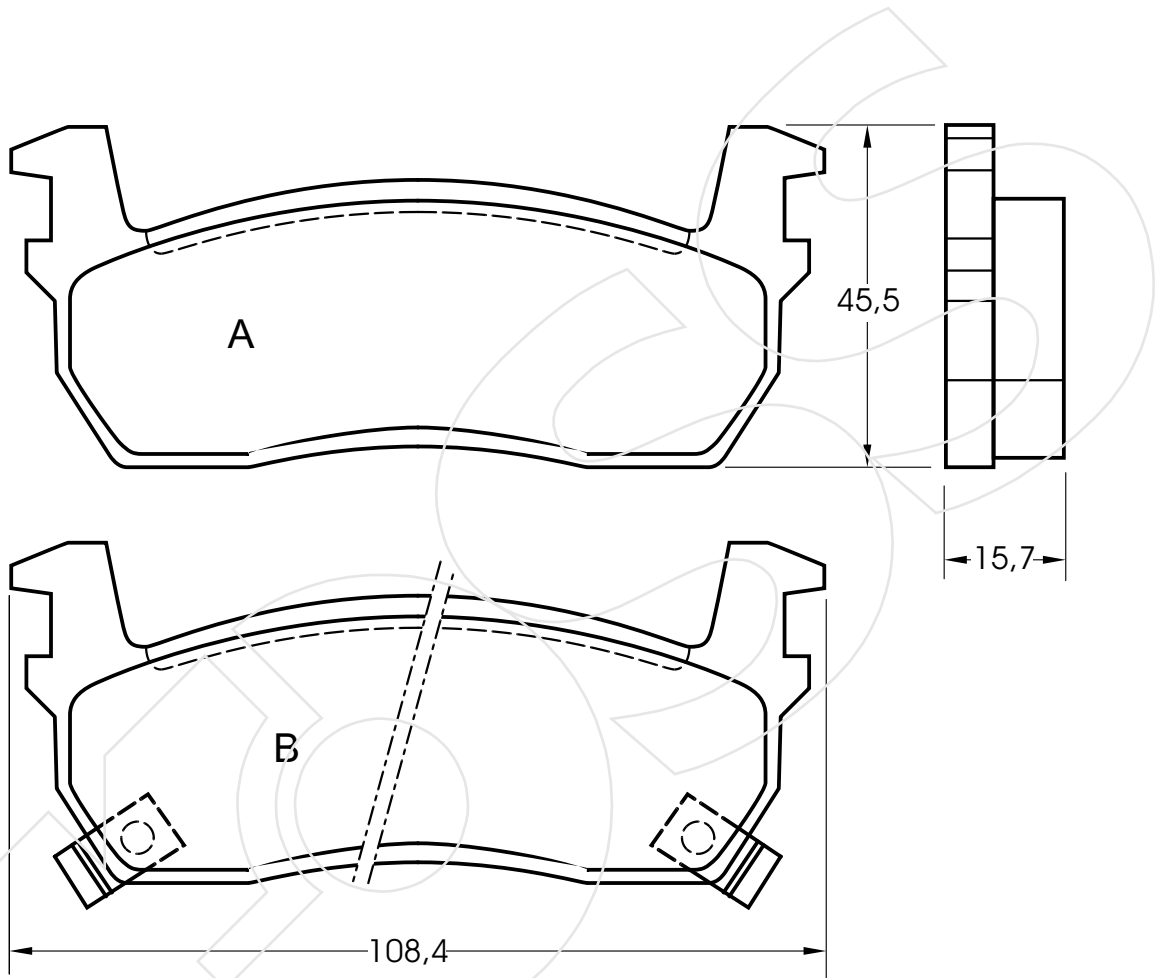
Reference in this Catalogue to other manufactures and to part numbers and other descriptions are for identification purposes only, because the above DISC BRAKE PADS are NOT ORIGINAL but with these interchangeable.

CODICE	IMPIANTO	ASSE	SCALA	APPLICAZIONI
<b>R-347</b>	SUMITOMO	POSTERIORE	1:1	NISSAN-DATSUN
CODICE COMPONENTI	N°	L(mm)	SERIE	
*	*	*	2 PEZZI TIPO A	
M0069	2	*	2 PEZZI TIPO B	
*	*			
CODICE ACCESSORI	N°	L(mm)	NOTE	
*	*		*	
*	*		*	
*	*		*	
*	*		*	



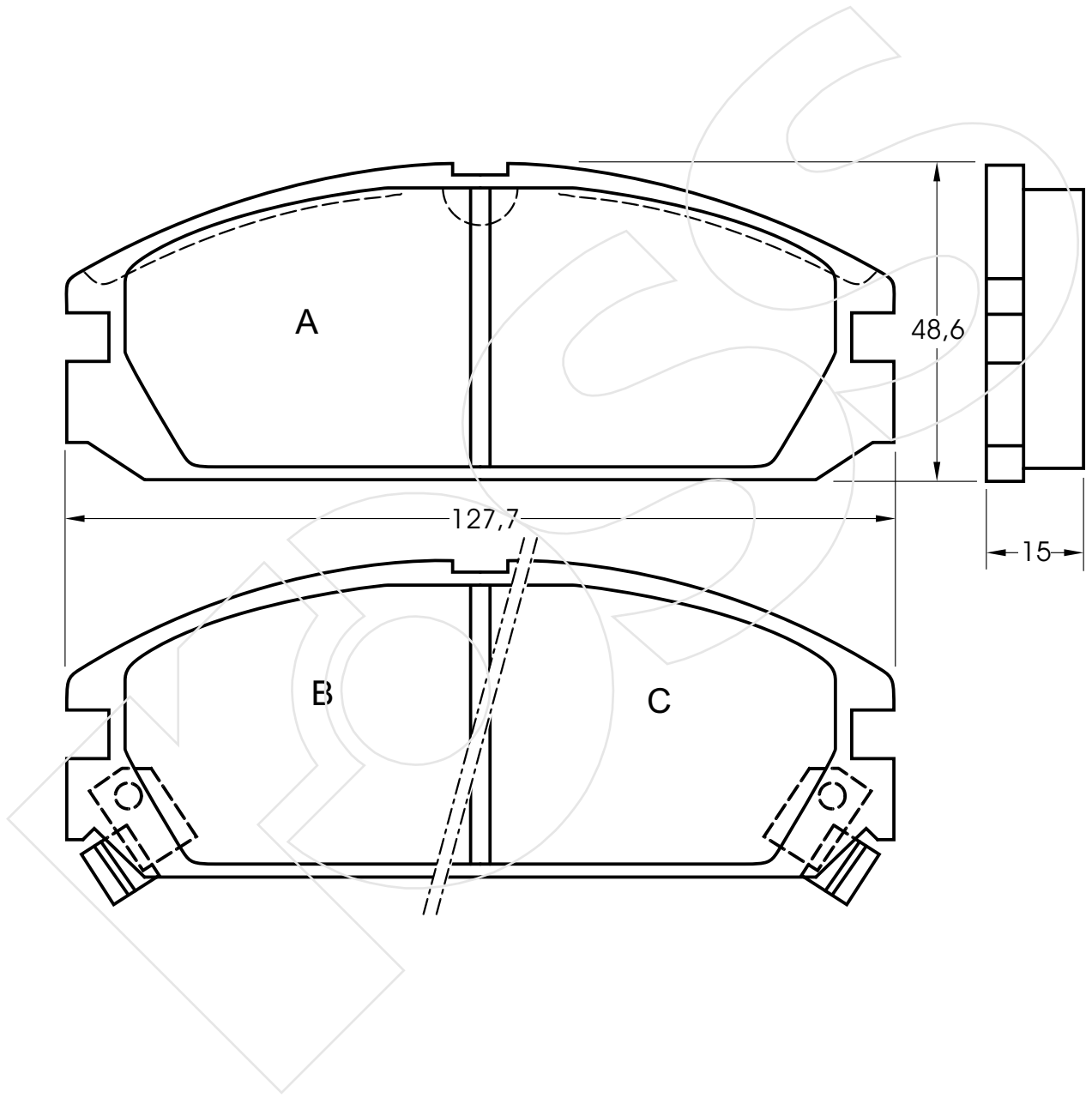
Reference in this Catalogue to other manufactures and to part numbers and other descriptions are for identification purposes only, because the above DISC BRAKE PADS are NOT ORIGINAL but with these interchangeable.

CODICE	IMPIANTO		ASSE	SCALA	APPLICAZIONI
<b>R-348</b>	AKEBONO		ANTERIORE	1:1	NISSAN-DATSUN
CODICE COMPONENTI	N°	L(mm)	SERIE		
*	*	*	2 PEZZI TIPO A		
M0036	2	*	2 PEZZI TIPO B		
*	*				
CODICE ACCESSORI	N°	L(mm)	NOTE		
*	*		*		
*	*		*		
*	*		*		
*	*		*		



Reference in this Catalogue to other manufactures and to part numbers and other descriptions are for identification purposes only, because the above DISC BRAKE PADS are NOT ORIGINAL but with these interchangeable.

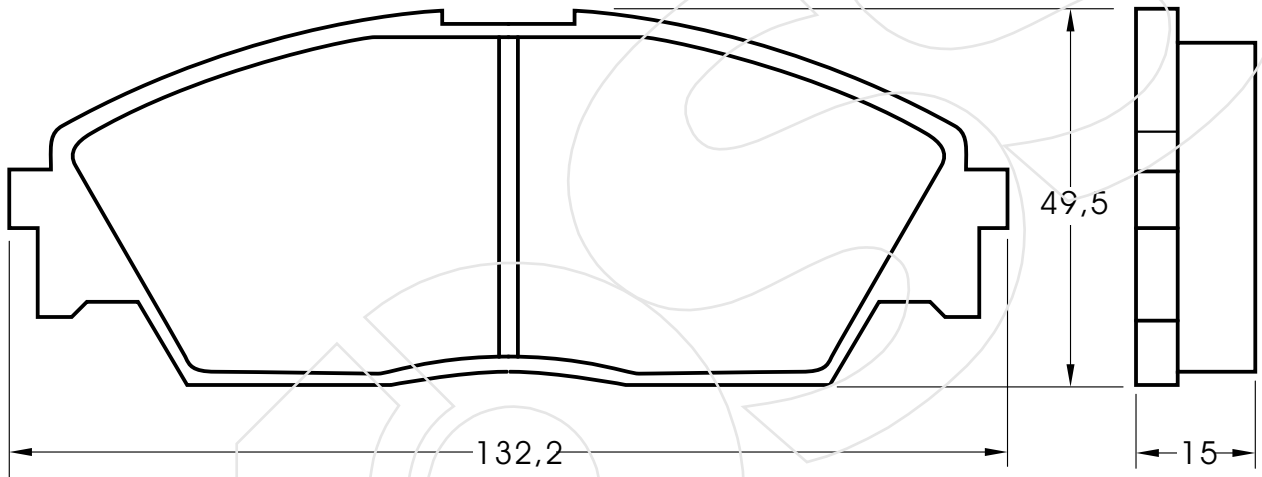
CODICE	IMPIANTO		ASSE	SCALA	APPLICAZIONI
<b>R-349</b>	AKEBONO		ANTERIORE	1:1	HONDA
CODICE COMPONENTI	N°	L(mm)	SERIE		
*	*	*	2 PEZZI TIPO A		
M0049	1	*	1 PEZZO TIPO B		
M0050	1		1 PEZZO TIPO C		
CODICE ACCESSORI	N°	L(mm)	NOTE		
*	*		*		
*	*		*		
*	*		*		
*	*		*		



Reference in this Catalogue to other manufactures and to part numbers and other descriptions are for identification purposes only, because the above DISC BRAKE PADS are NOT ORIGINAL but with these interchangeable.

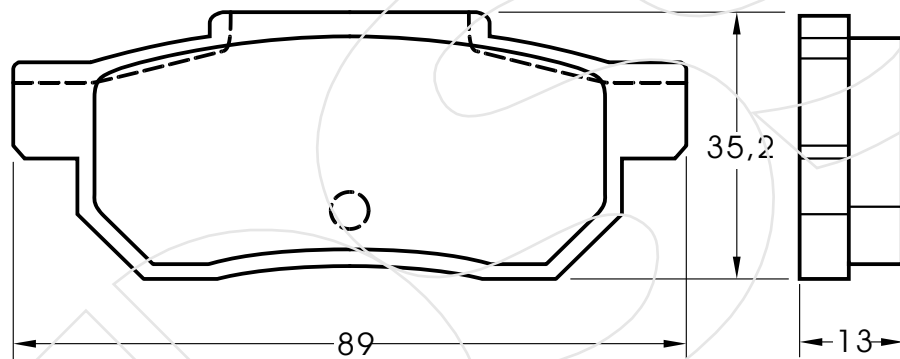


CODICE	IMPIANTO	ASSE	SCALA	APPLICAZIONI
<b>R-350</b>	AKEBONO	ANTERIORE	1:1	HONDA
CODICE COMPONENTI	N°	L(mm)	SERIE	
*	*	*	4 PEZZI	
*	*			
*	*			
CODICE ACCESSORI	N°	L(mm)	NOTE	
*	*			
*	*			
*	*			
*	*			



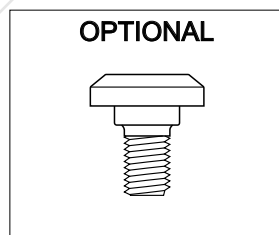
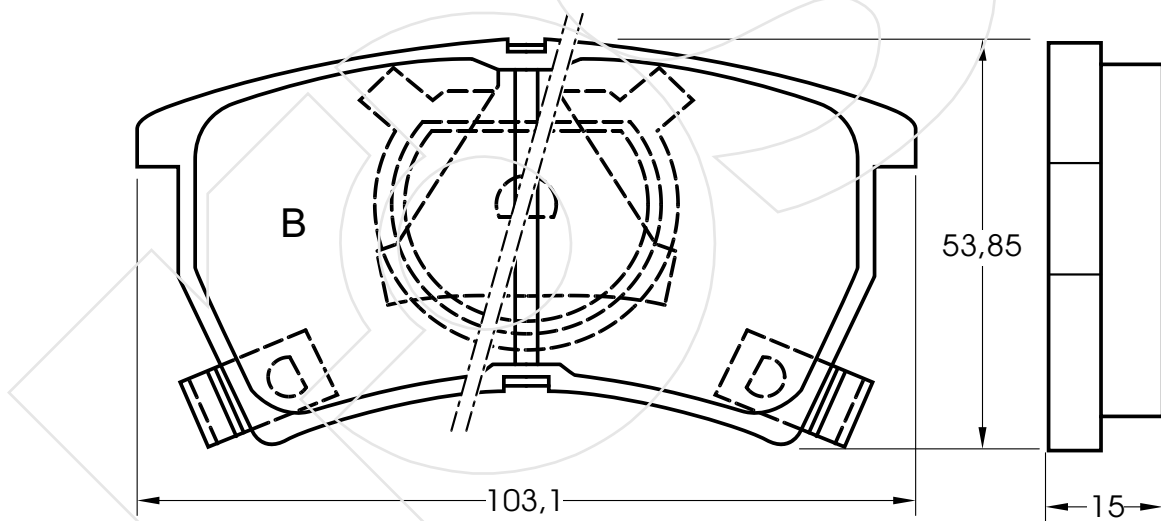
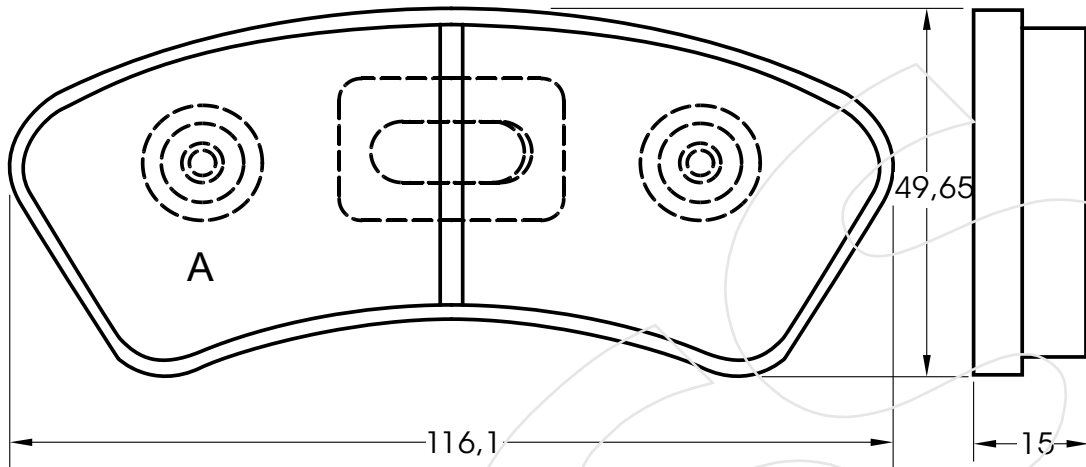
Reference in this Catalogue to other manufactures and to part numbers and other descriptions are for identification purposes only, because the above DISC BRAKE PADS are NOT ORIGINAL but with these interchangeable.

CODICE	IMPIANTO	ASSE	SCALA	APPLICAZIONI
<b>R-351</b>	AKEBONO	POSTERIORE	1:1	HONDA
CODICE COMPONENTI	N°	L(mm)	SERIE	
*	*	*	4 PEZZI	
*	*			
*	*			
CODICE ACCESSORI	N°	L(mm)	NOTE	
*	*		*	
*	*		*	
*	*		*	
*	*		*	



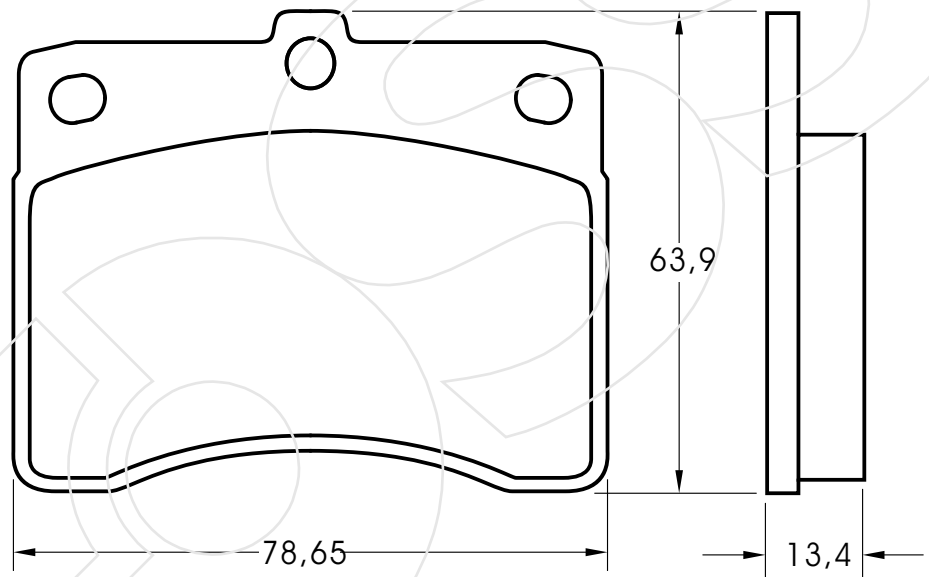
Reference in this Catalogue to other manufactures and to part numbers and other descriptions are for identification purposes only, because the above DISC BRAKE PADS are NOT ORIGINAL but with these interchangeable.

CODICE	IMPIANTO	ASSE	SCALA	APPLICAZIONI
<b>R-352</b>	AKEBONO	ANTERIORE	1:1	MAZDA
CODICE COMPONENTI	N°	L(mm)	SERIE	
*	*	*	2 PEZZI TIPO A	
M0020+M0021+M0051	2+2+2	*	2 PEZZI TIPO B	
*	*	*		
OPTIONAL	N°	L(mm)	NOTE	
P1006	2	*		
*	*	*		
*	*	*		
*	*	*		



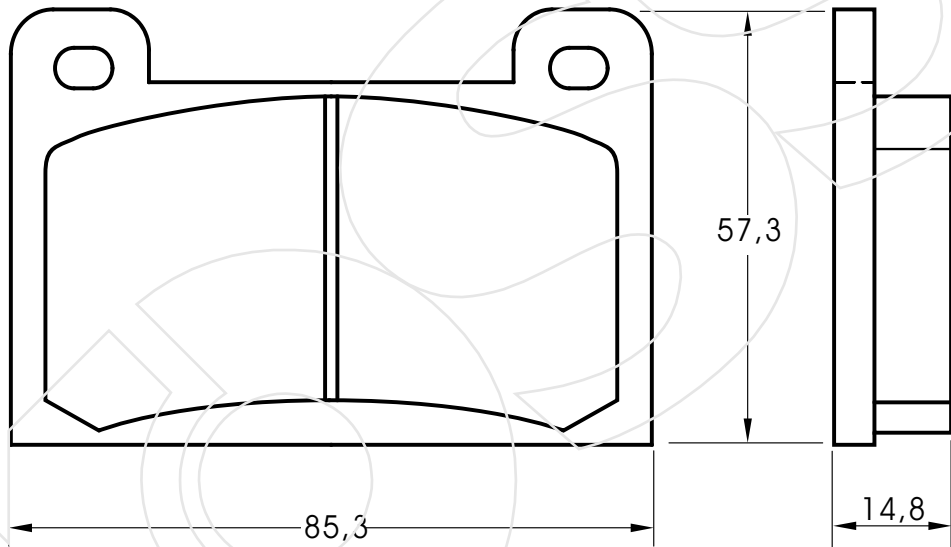
Reference in this Catalogue to other manufactures and to part numbers and other descriptions are for identification purposes only, because the above DISC BRAKE PADS are NOT ORIGINAL but with these interchangeable.

CODICE	IMPIANTO	ASSE	SCALA	APPLICAZIONI
<b>R-353</b>	AKEBONO	ANTERIORE	1:1	DAIHATSU PIAGGIO
CODICE COMPONENTI	N°	L(mm)	SERIE	
*	*	*	4 PEZZI	
*	*			
*	*			
CODICE ACCESSORI	N°	L(mm)	NOTE	
*	*		*	
*	*		*	
*	*		*	
*	*		*	



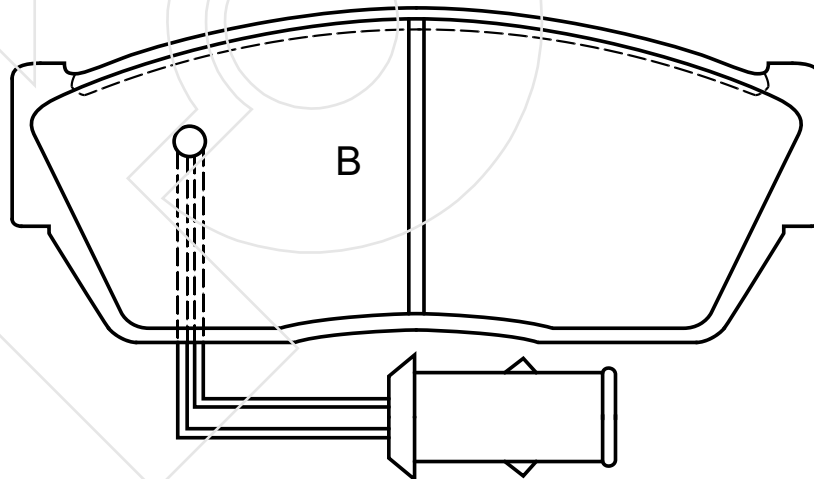
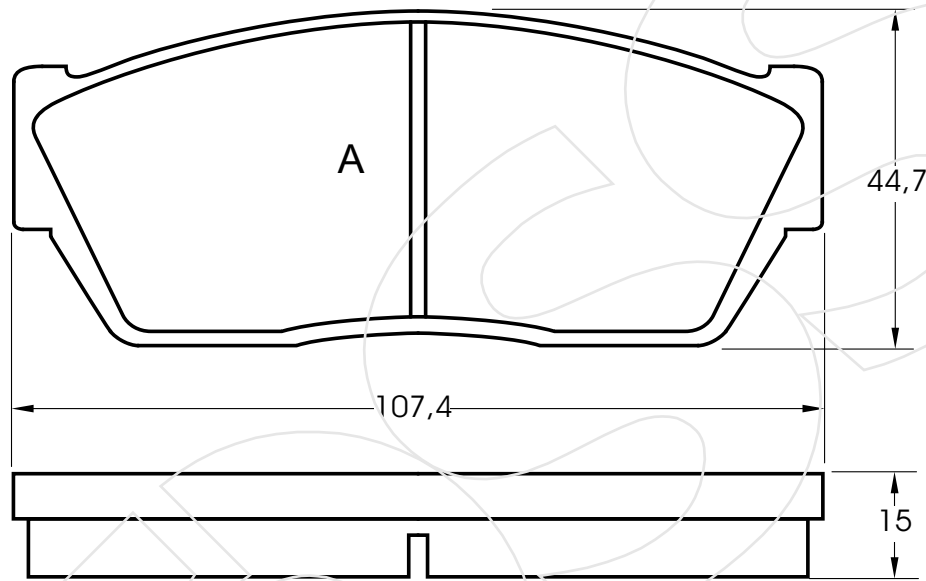
Reference in this Catalogue to other manufactures and to part numbers and other descriptions are for identification purposes only, because the above DISC BRAKE PADS are NOT ORIGINAL but with these interchangeable.

CODICE	IMPIANTO		ASSE	SCALA	APPLICAZIONI
<b>R-354</b>	SKODA		ANTERIORE	1:1	SKODA
CODICE COMPONENTI	N°	L(mm)	SERIE		
*	*	*	4 PEZZI		
*	*				
*	*				
CODICE ACCESSORI	N°	L(mm)	NOTE		
*	*				
*	*				
*	*				
*	*				



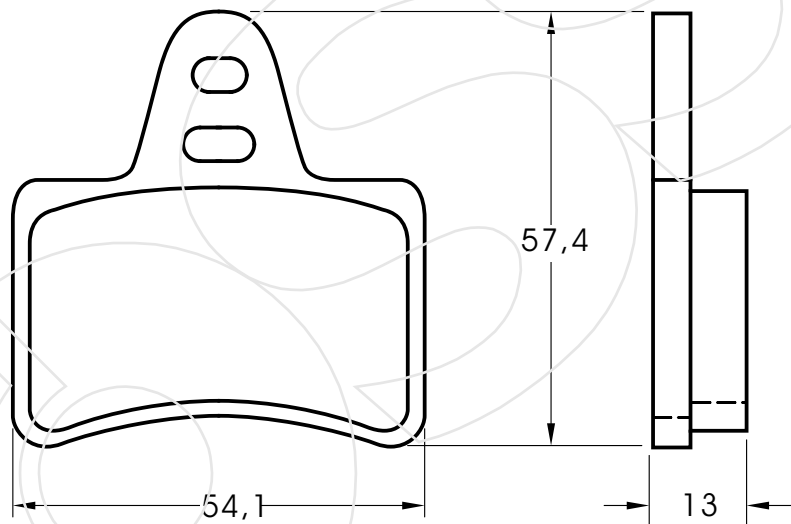
Reference in this Catalogue to other manufactures and to part numbers and other descriptions are for identification purposes only, because the above DISC BRAKE PADS are NOT ORIGINAL but with these interchangeable.

CODICE	IMPIANTO	ASSE	SCALA	APPLICAZIONI
<b>R-355</b>	SUMITOMO	ANTERIORE	1:1	ROVER
CODICE COMPONENTI	N°	L(mm)	SERIE	
*	*	*	3 PEZZI TIPO A	
F3024	1	225	1 PEZZI TIPO B	
*	*	*		
CODICE ACCESSORI	N°	L(mm)	NOTE	
*	*	*	*	
*	*	*	*	
*	*	*	*	
*	*	*	*	



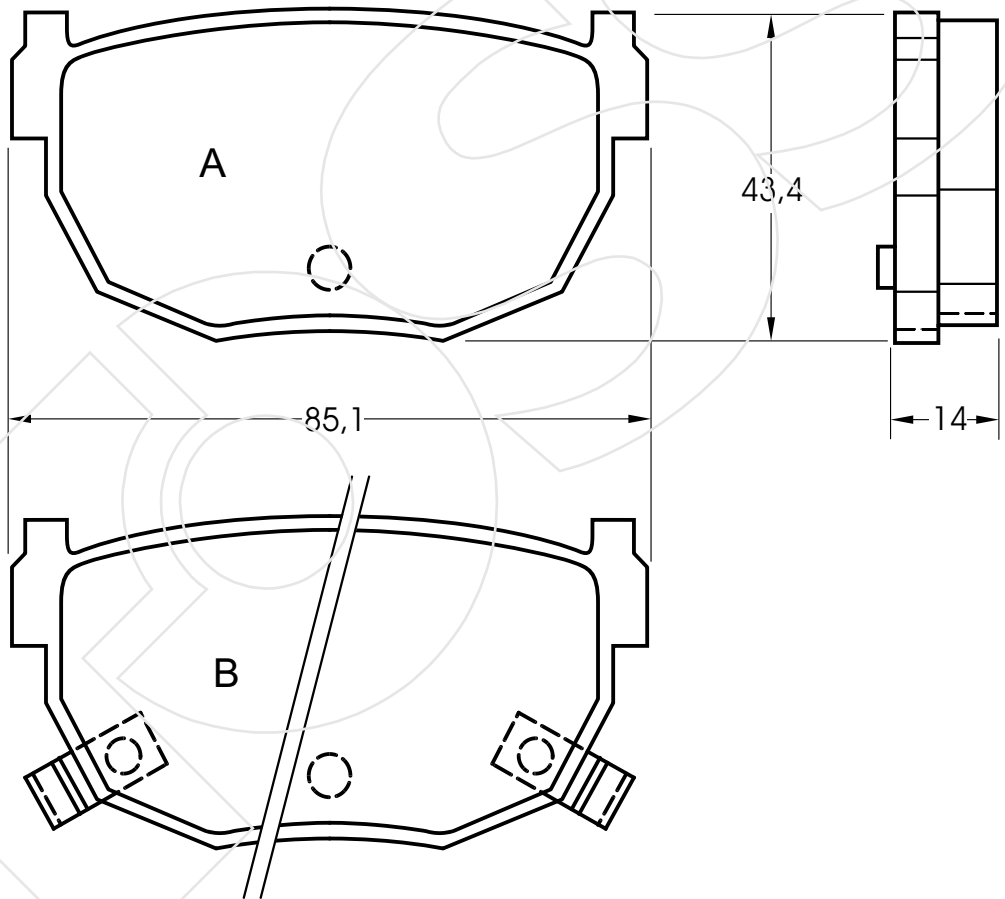
Reference in this Catalogue to other manufactures and to part numbers and other descriptions are for identification purposes only, because the above DISC BRAKE PADS are NOT ORIGINAL but with these interchangeable.

CODICE	IMPIANTO		ASSE	SCALA	APPLICAZIONI
<b>R-356</b>	CITROEN		POSTERIORE	1:1	CITROEN
CODICE COMPONENTI	N°	L(mm)	SERIE		
*	*	*	4 PEZZI		
*	*				
*	*				
CODICE ACCESSORI	N°	L(mm)	NOTE		
*	*		*		
*	*		*		
*	*		*		
*	*		*		



Reference in this Catalogue to other manufactures and to part numbers and other descriptions are for identification purposes only, because the above DISC BRAKE PADS are NOT ORIGINAL but with these interchangeable.

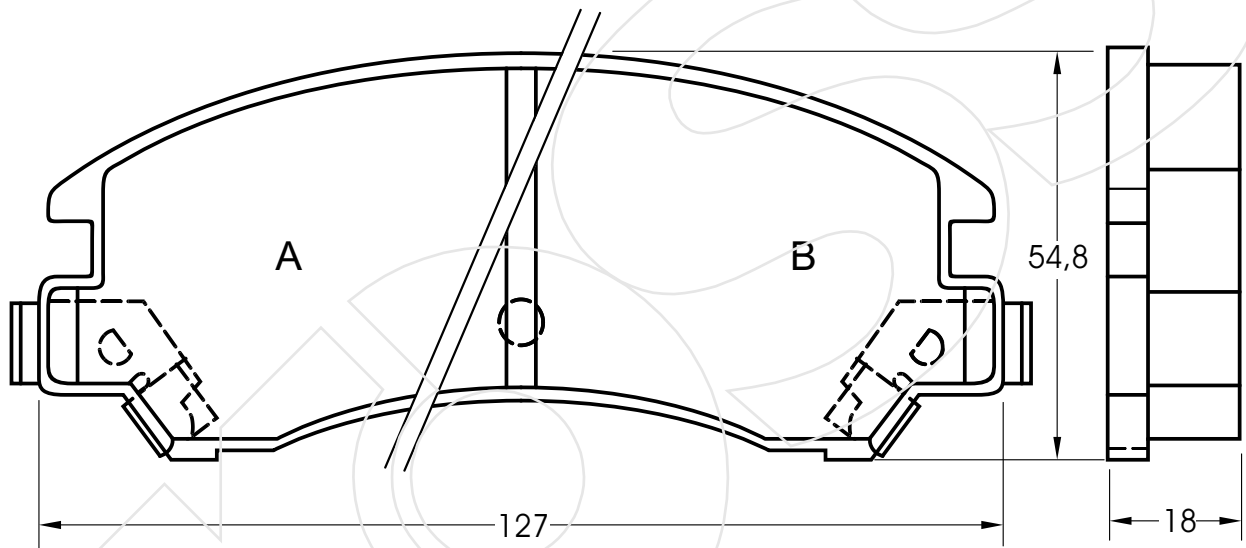
CODICE	IMPIANTO	ASSE	SCALA	APPLICAZIONI
<b>R-357</b>	SUMITOMO	POSTERIORE	1:1	NISSAN-DATSUN
CODICE COMPONENTI	N°	L(mm)	SERIE	
*	*	*	2 PEZZI TIPO A	
M0036	2	*	2 PEZZI TIPO B	
*	*			
CODICE ACCESSORI	N°	L(mm)	NOTE	
*	*		*	
*	*		*	
*	*		*	
*	*		*	



Reference in this Catalogue to other manufactures and to part numbers and other descriptions are for identification purposes only, because the above DISC BRAKE PADS are NOT ORIGINAL but with these interchangeable.

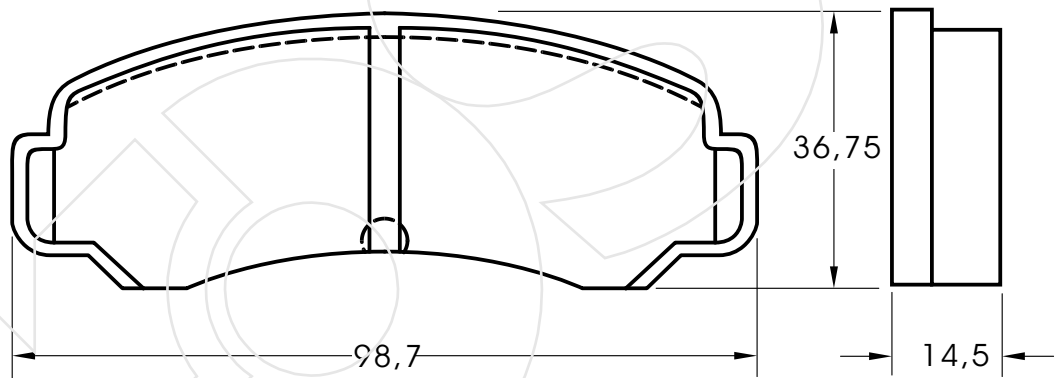


CODICE	IMPIANTO		ASSE	SCALA	APPLICAZIONI
<b>R-358</b>	AKEBONO		ANTERIORE	1:1	SUBARU
CODICE COMPONENTI	N°	L(mm)	SERIE		
M0052	2	*	2 PEZZI TIPO A		
M0053	2	*	2 PEZZI TIPO B		
*	*				
CODICE ACCESSORI	N°	L(mm)	NOTE		
*	*		*		
*	*		*		
*	*		*		
*	*		*		



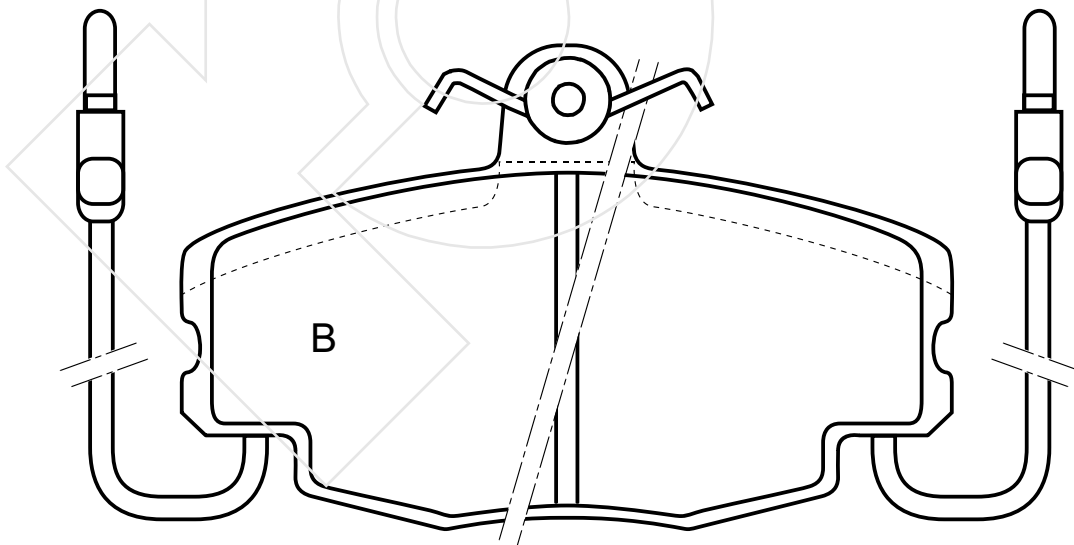
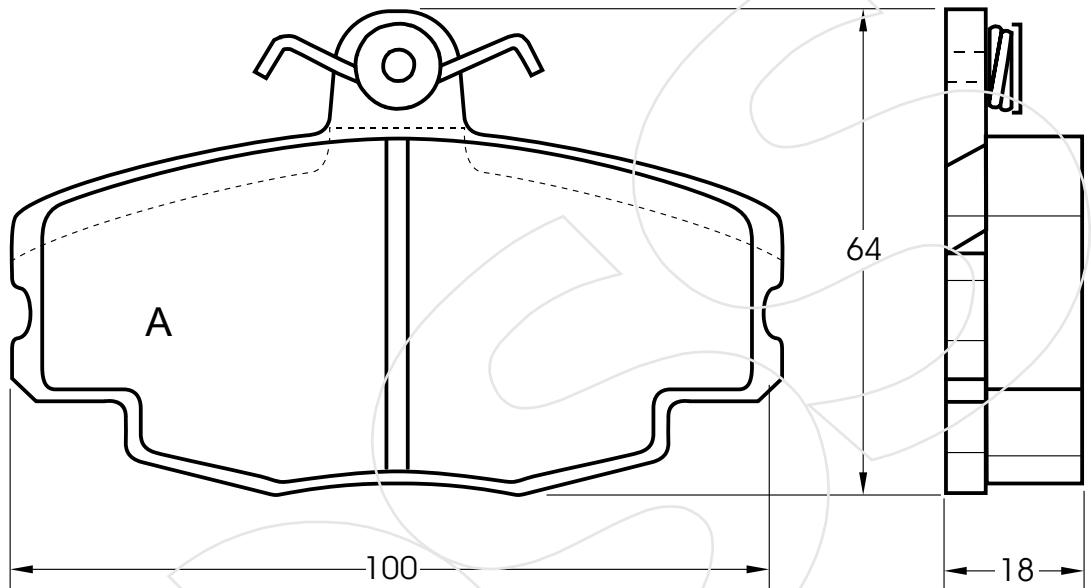
Reference in this Catalogue to other manufactures and to part numbers and other descriptions are for identification purposes only, because the above DISC BRAKE PADS are NOT ORIGINAL but with these interchangeable.

CODICE	IMPIANTO		ASSE	SCALA	APPLICAZIONI
<b>R-359</b>	SUMITOMO		POSTERIORE	1:1	TOYOTA
CODICE COMPONENTI	N°	L(mm)	SERIE		
*	*	*	4 PEZZI		
*	*				
*	*				
CODICE ACCESSORI	N°	L(mm)	NOTE		
*	*		*		
*	*		*		
*	*		*		
*	*		*		



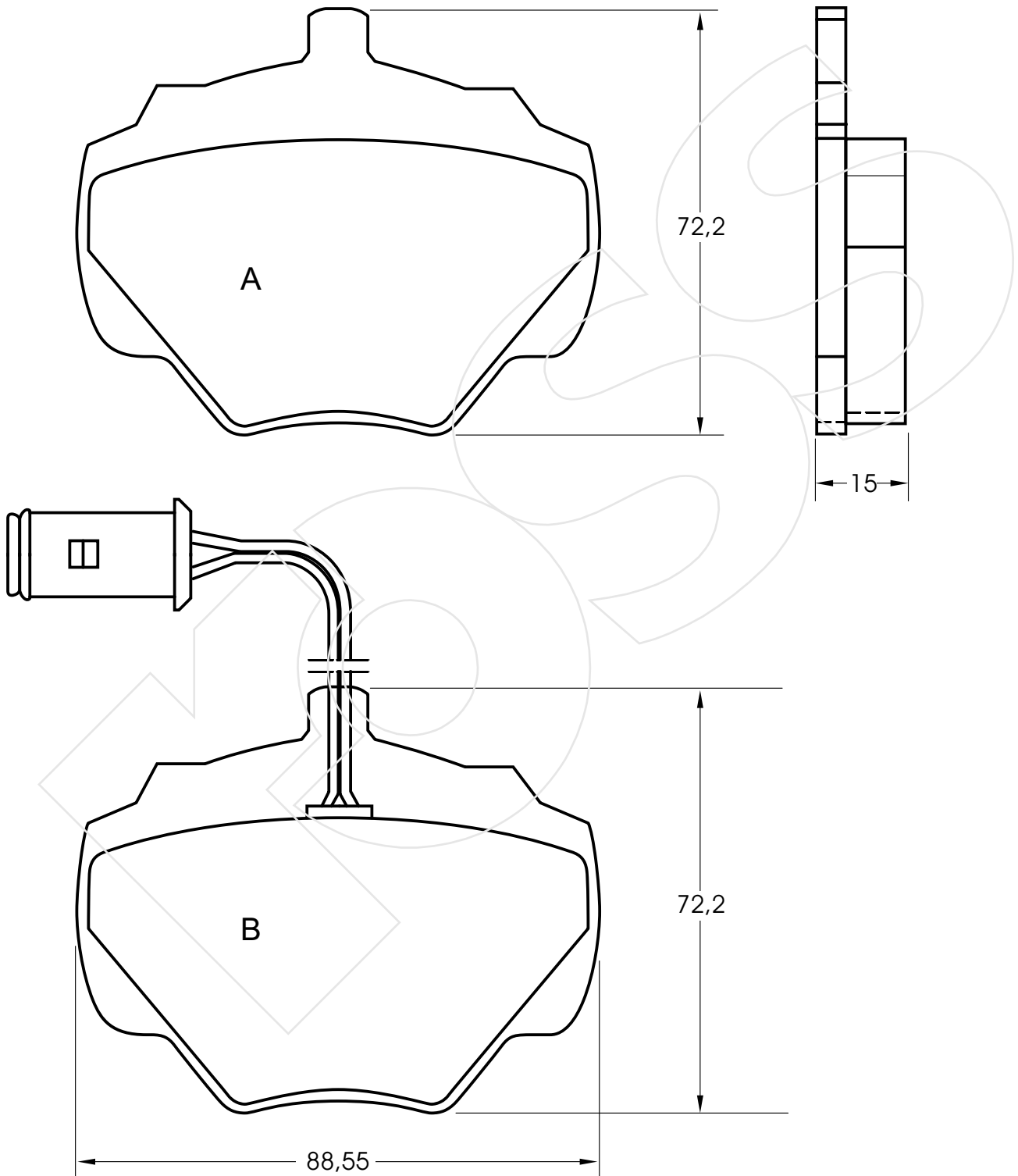
Reference in this Catalogue to other manufactures and to part numbers and other descriptions are for identification purposes only, because the above DISC BRAKE PADS are NOT ORIGINAL but with these interchangeable.

CODICE	IMPIANTO		ASSE	SCALA	APPLICAZIONI
<b>R-360</b>	GIRLING		ANTERIORE	1:1	RENAULT
CODICE COMPONENTI	N°	L(mm)	SERIE		
M0077+P1012	2+2	*	2 PEZZI TIPO A		
M0077+P1012+F3006	2+2+2	220	2 PEZZI TIPO B		
*	*				
CODICE ACCESSORI	N°	L(mm)	NOTE		
*	*		*		
*	*		*		
*	*		*		
*	*		*		



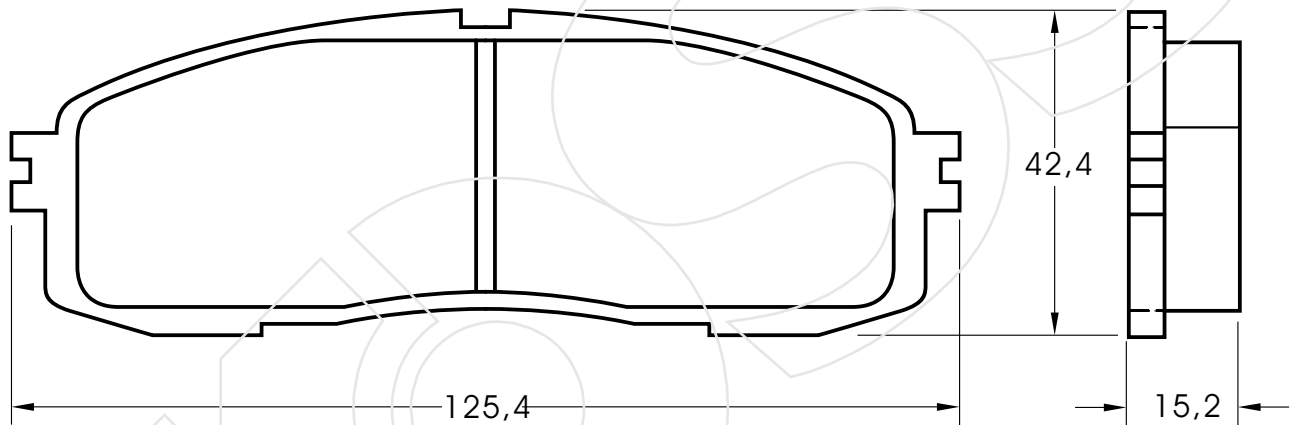
Reference in this Catalogue to other manufactures and to part numbers and other descriptions are for identification purposes only, because the above DISC BRAKE PADS are NOT ORIGINAL but with these interchangeable.

CODICE	IMPIANTO	ASSE	SCALA	APPLICAZIONI
<b>R-361</b>	LOCKHEED	POSTERIORE	1:1	ROVER
CODICE COMPONENTI	N°	L(mm)	SERIE	
*	*	*	3 PEZZI TIPO A	
F3024	1	225	1 PEZZO TIPO B	
*	*	*		
CODICE ACCESSORI	N°	L(mm)	NOTE	
*	*	*	*	
*	*	*	*	
*	*	*	*	
*	*	*	*	



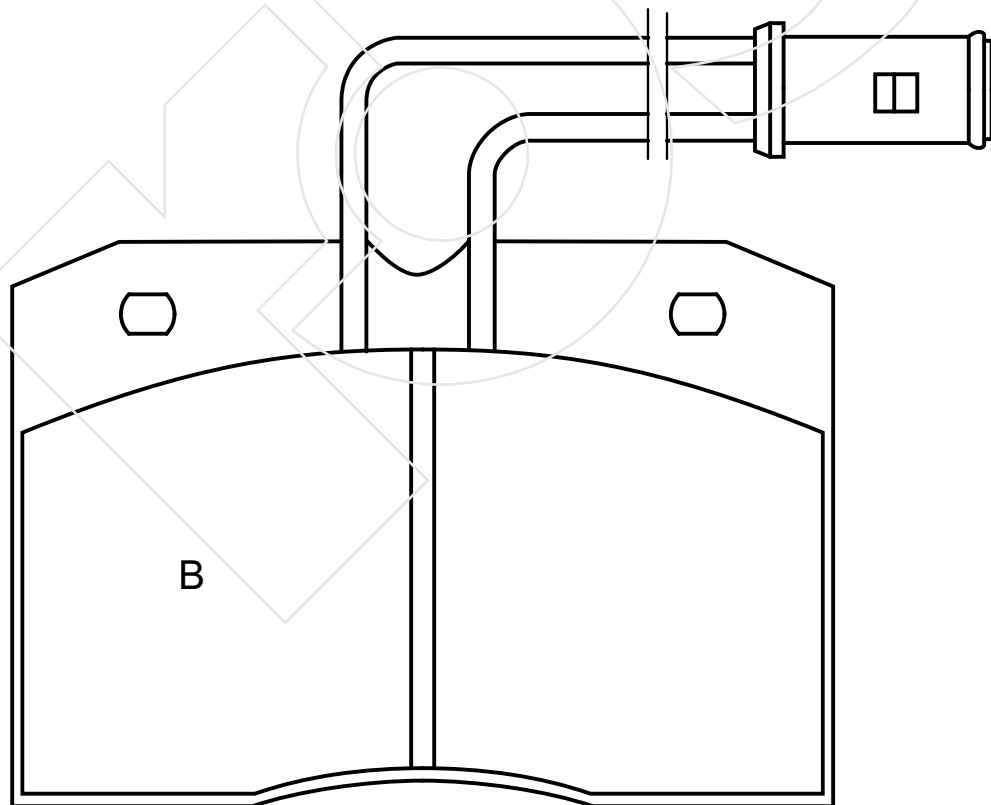
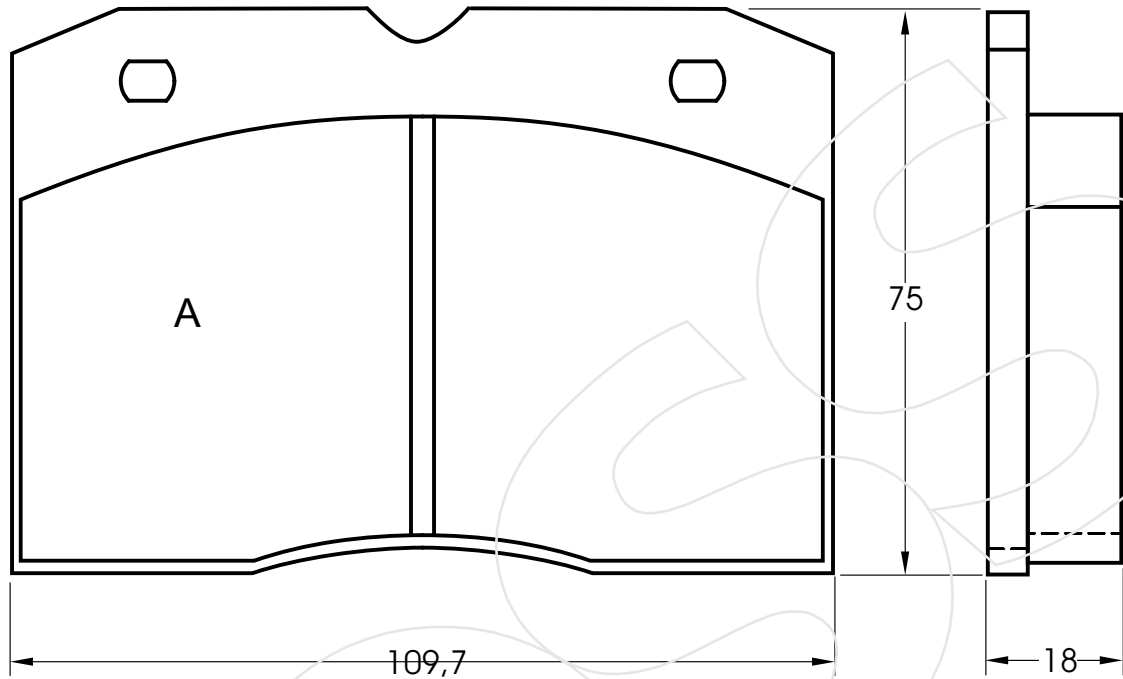
Reference in this Catalogue to other manufactures and to part numbers and other descriptions are for identification purposes only, because the above DISC BRAKE PADS are NOT ORIGINAL but with these interchangeable.

CODICE	IMPIANTO		ASSE	SCALA	APPLICAZIONI
<b>R-362</b>	SUMITOMO		POSTERIORE	1:1	TOYOTA
CODICE COMPONENTI	N°	L(mm)	SERIE		
*	*	*	4 PEZZI		
*	*				
*	*				
CODICE ACCESSORI	N°	L(mm)	NOTE		
*	*				
*	*				
*	*				
*	*				



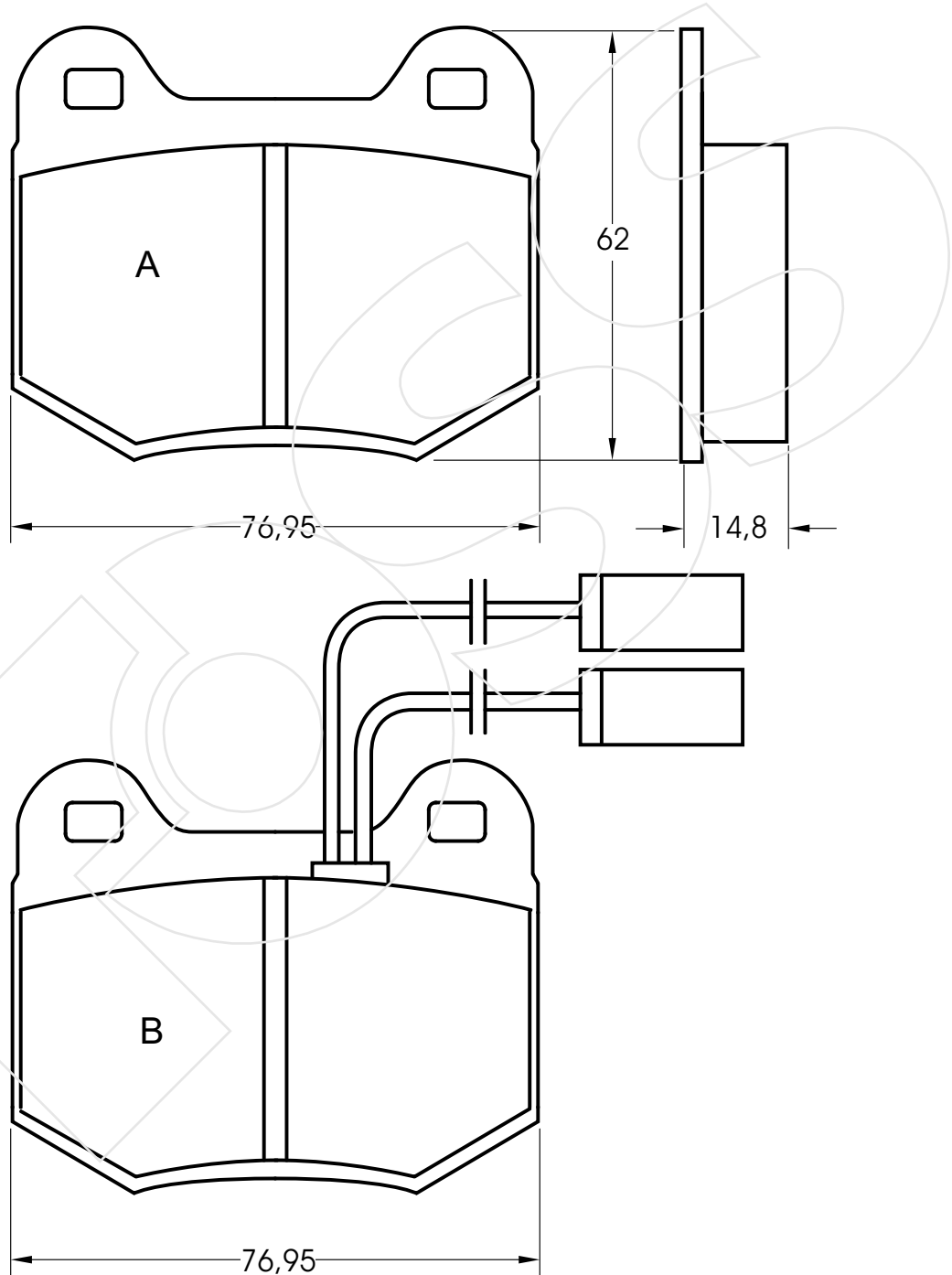
Reference in this Catalogue to other manufactures and to part numbers and other descriptions are for identification purposes only, because the above DISC BRAKE PADS are NOT ORIGINAL but with these interchangeable.

CODICE	IMPIANTO	ASSE	SCALA	APPLICAZIONI
<b>R-363</b>	BREMBO	ANTERIORE	1:1	ALFAROMEO FIAT RENAULT
CODICE COMPONENTI	N°	L(mm)	SERIE	
*	*	*	2 PEZZI TIPO A	
F3011	2	170	2 PEZZI TIPO B	
*	*			
CODICE ACCESSORI	N°	L(mm)	NOTE	
*	*		*	
*	*		*	
*	*		*	
*	*		*	



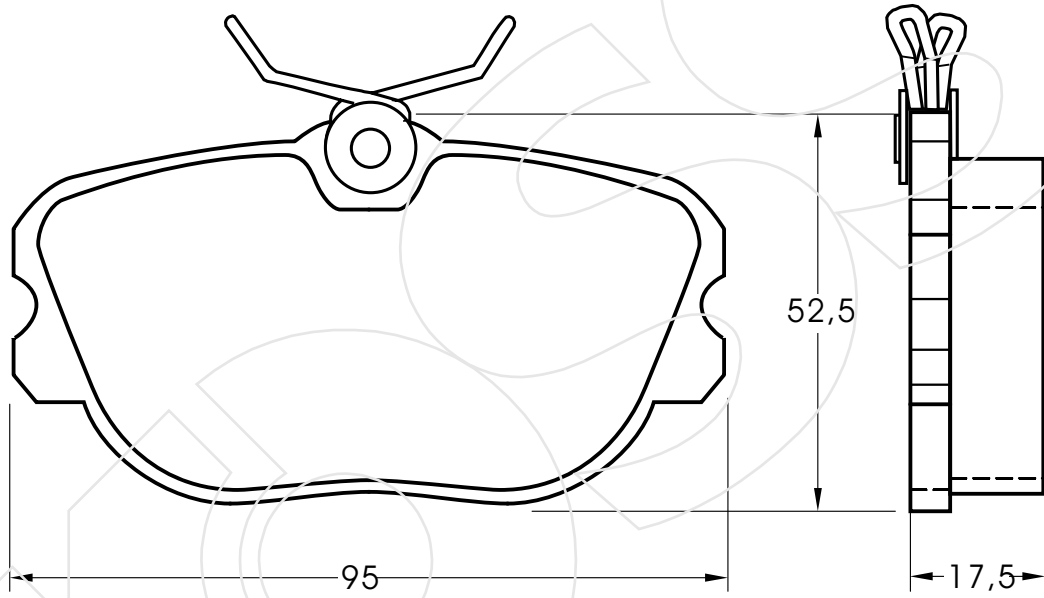
Reference in this Catalogue to other manufactures and to part numbers and other descriptions are for identification purposes only, because the above DISC BRAKE PADS are NOT ORIGINAL but with these interchangeable.

CODICE	IMPIANTO		ASSE	SCALA	APPLICAZIONI
<b>R-364</b>	BREMBO		ANTERIORE	1:1	ALFAROMEO
CODICE COMPONENTI	N°	L(mm)	SERIE		
*	*	*	3 PEZZI TIPO A		
F3026	1	800	1 PEZZO TIPO B		
*	*				
CODICE ACCESSORI	N°	L(mm)	NOTE		
*	*		*		
*	*		*		
*	*		*		
*	*		*		



Reference in this Catalogue to other manufactures and to part numbers and other descriptions are for identification purposes only, because the above DISC BRAKE PADS are NOT ORIGINAL but with these interchangeable.

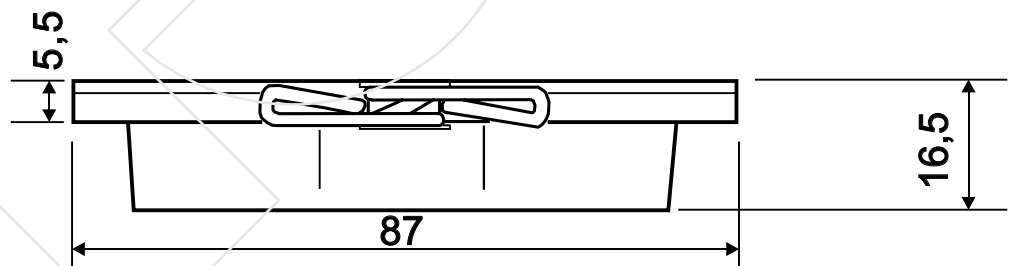
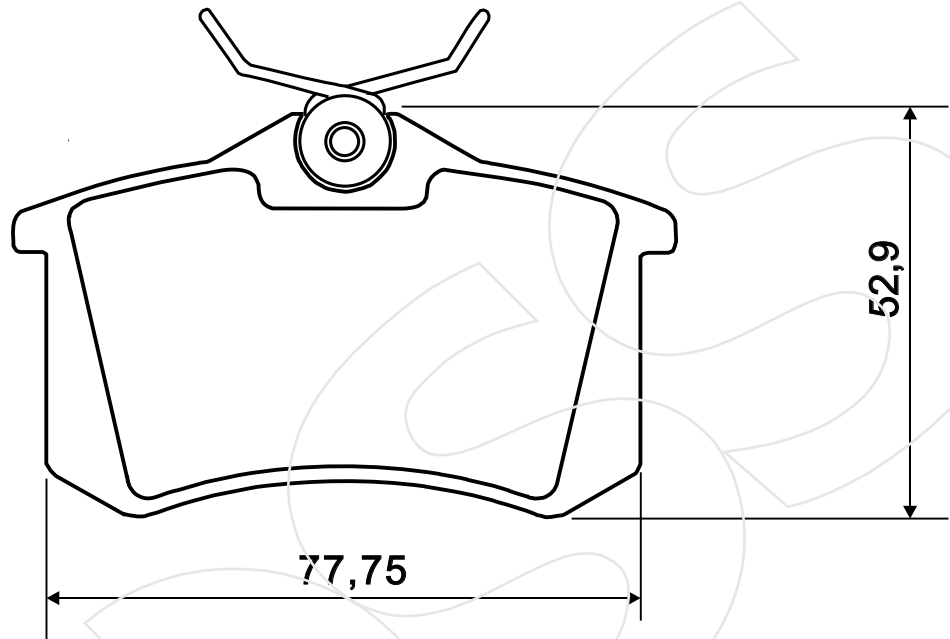
CODICE	IMPIANTO	ASSE	SCALA	APPLICAZIONI
<b>R-365</b>	GIRLING	ANTERIORE	1:1	SAAB
CODICE COMPONENTI	N°	L(mm)	SERIE	
M0015+P1004	4+4	*	4 PEZZI	
*	*			
*	*			
CODICE ACCESSORI	N°	L(mm)	NOTE	
*	*		*	
*	*		*	
*	*		*	
*	*		*	



Reference in this Catalogue to other manufactures and to part numbers and other descriptions are for identification purposes only, because the above DISC BRAKE PADS are NOT ORIGINAL but with these interchangeable.

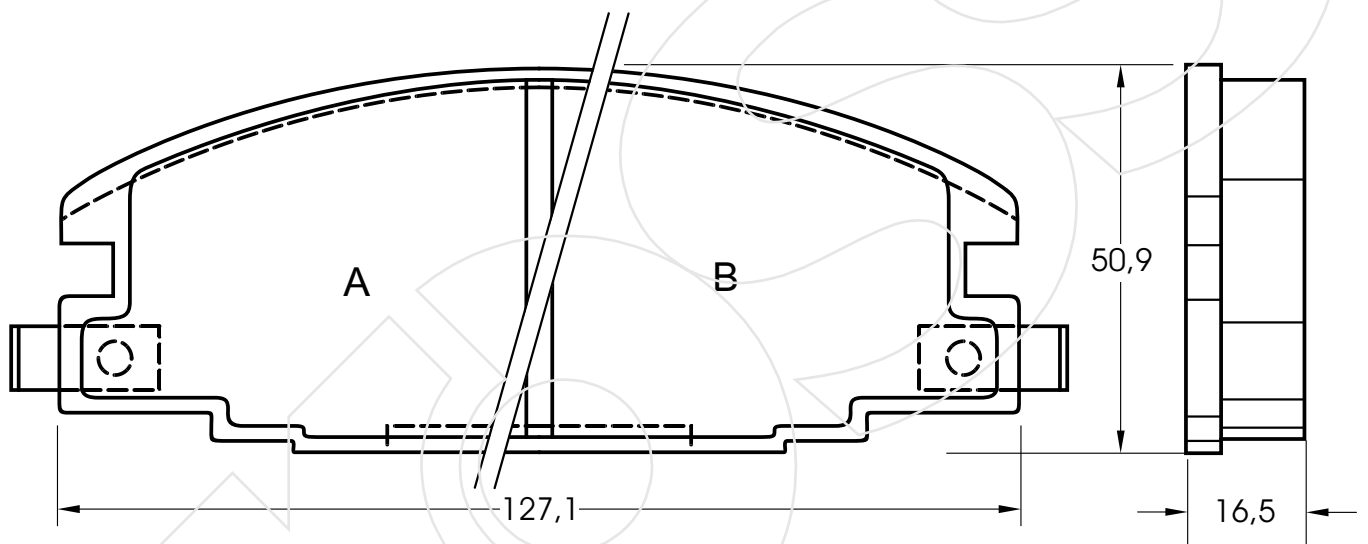


CODICE	IMPIANTO		ASSE	SCALA	APPLICAZIONI
<b>R-366</b>	GIRLING		POSTERIORE	1:1	FORD SEAT VOLKSWAGEN
CODICE COMPONENTI	N°	L(mm)	SERIE		
M0015+P1004	4+4	*	4 PEZZI		
*	*				
*	*				
CODICE ACCESSORI	N°	L(mm)	NOTE		
*	*		*		
*	*		*		
*	*		*		
*	*		*		



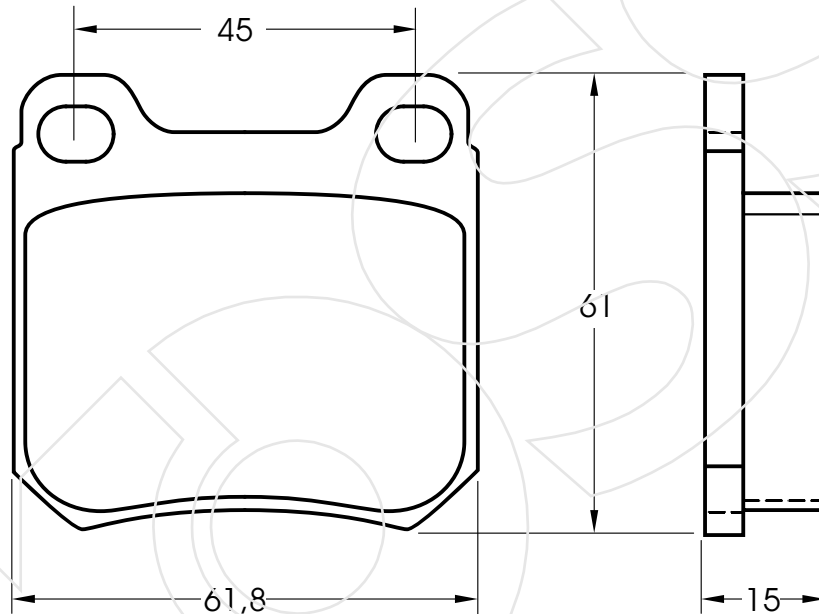
Reference in this Catalogue to other manufactures and to part numbers and other descriptions are for identification purposes only, because the above DISC BRAKE PADS are NOT ORIGINAL but with these interchangeable.

CODICE	IMPIANTO	ASSE	SCALA	APPLICAZIONI
<b>R-367</b>	AKEBONO	ANTERIORE	1:1	ISUZU
CODICE COMPONENTI	N°	L(mm)	SERIE	
M0054	2	*	2 PEZZI TIPO A	
M0054	2	*	2 PEZZI TIPO B	
*	*			
CODICE ACCESSORI	N°	L(mm)	NOTE	
*	*		*	
*	*		*	
*	*		*	
*	*		*	



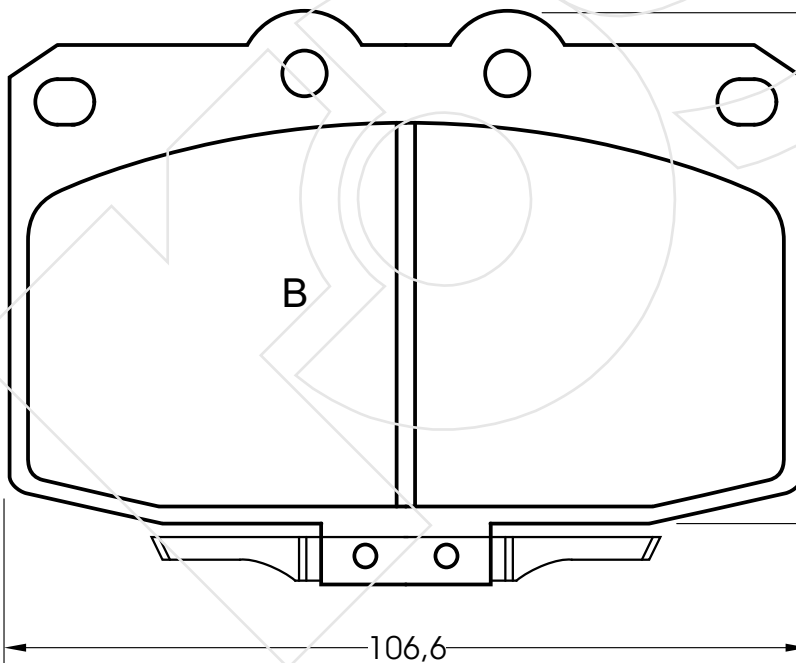
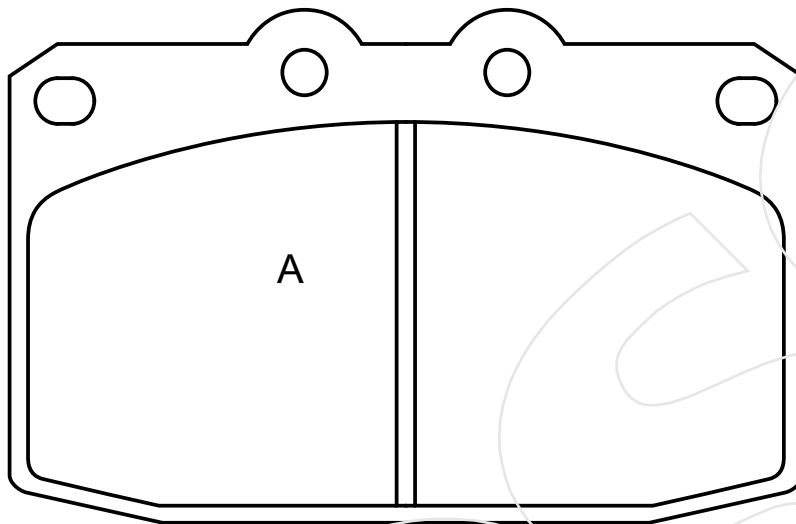
Reference in this Catalogue to other manufactures and to part numbers and other descriptions are for identification purposes only, because the above DISC BRAKE PADS are NOT ORIGINAL but with these interchangeable.

CODICE	IMPIANTO		ASSE	SCALA	APPLICAZIONI
<b>R-368</b>	DELCO		POSTERIORE	1:1	OPEL SAAB VAUXHALL
CODICE COMPONENTI	N°	L(mm)	SERIE		
*	*	*	4 PEZZI		
*	*	*			
*	*	*			
*	*	*			
CODICE ACCESSORI	N°	L(mm)	NOTE		
			*		
*	*		*		
*	*		*		
*	*		*		



Reference in this Catalogue to other manufactures and to part numbers and other descriptions are for identification purposes only, because the above DISC BRAKE PADS are NOT ORIGINAL but with these interchangeable.

CODICE	IMPIANTO	ASSE	SCALA	APPLICAZIONI
<b>R-369</b>	AKEBONO	ANTERIORE	1:1	MAZDA
CODICE COMPONENTI	N°	L(mm)	SERIE	
*	*	*	2 PEZZI TIPO A	
M0055	2	*	2 PEZZI TIPO B	
*	*	*		
CODICE ACCESSORI	N°	L(mm)	NOTE	
*	*	*		
*	*	*		
*	*	*		
*	*	*		



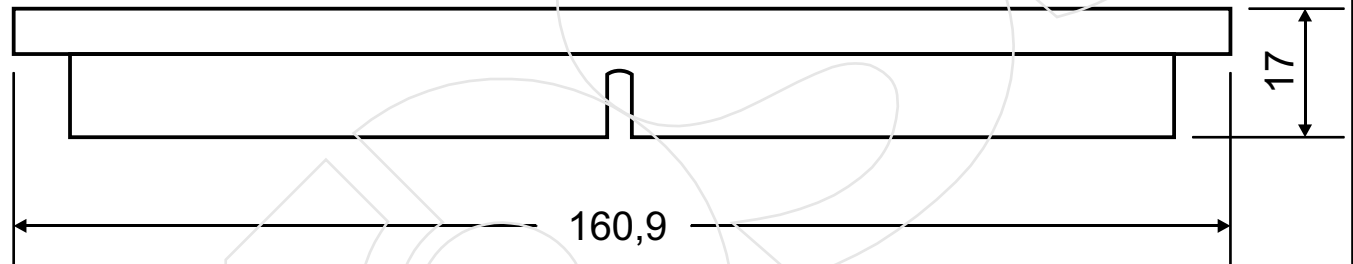
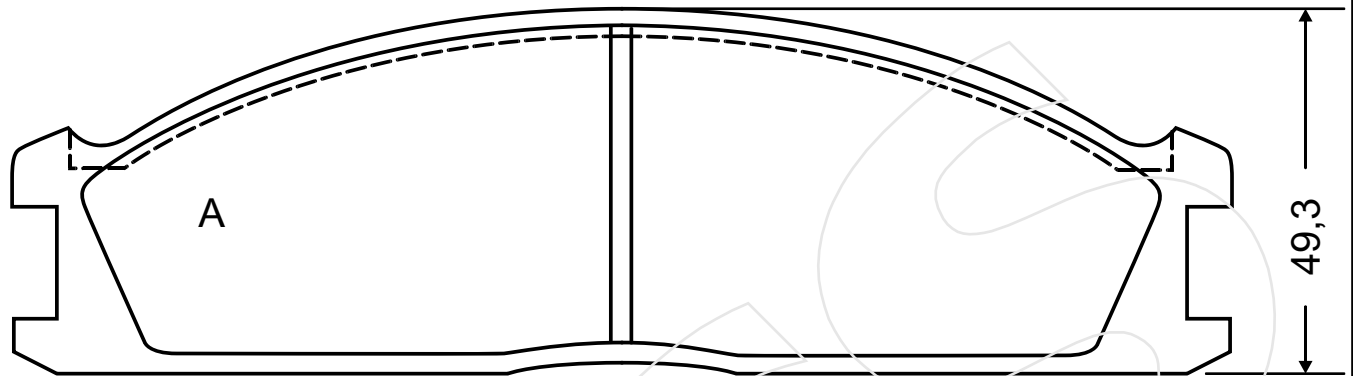
67,5

106,6

14,5

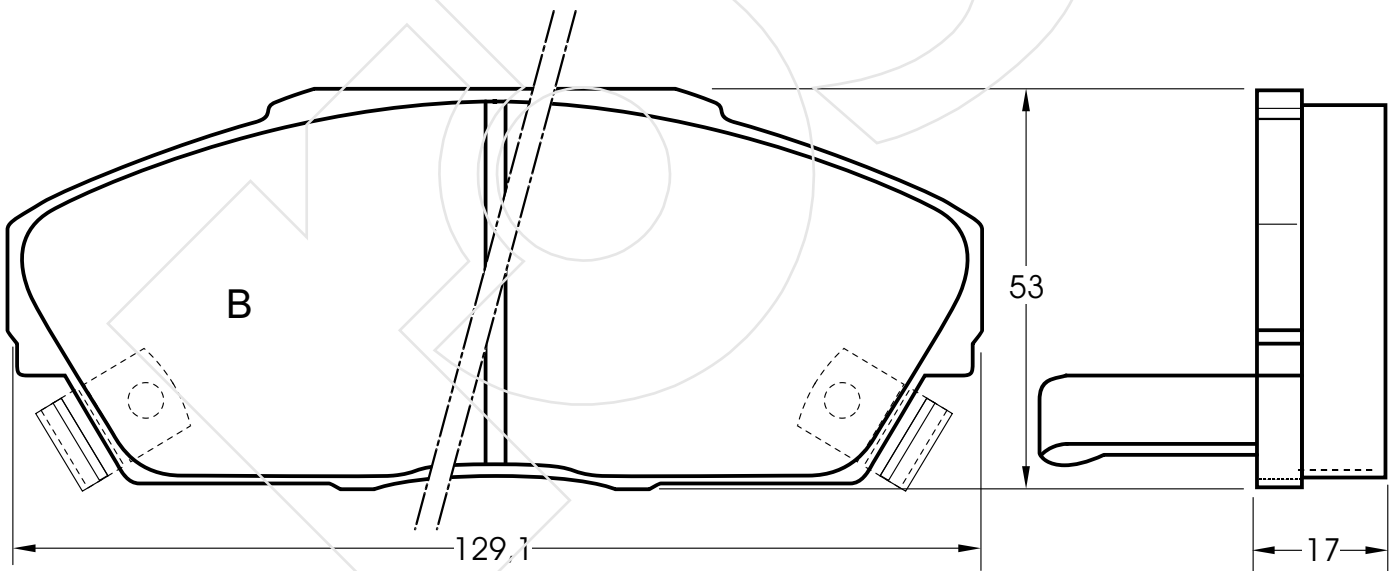
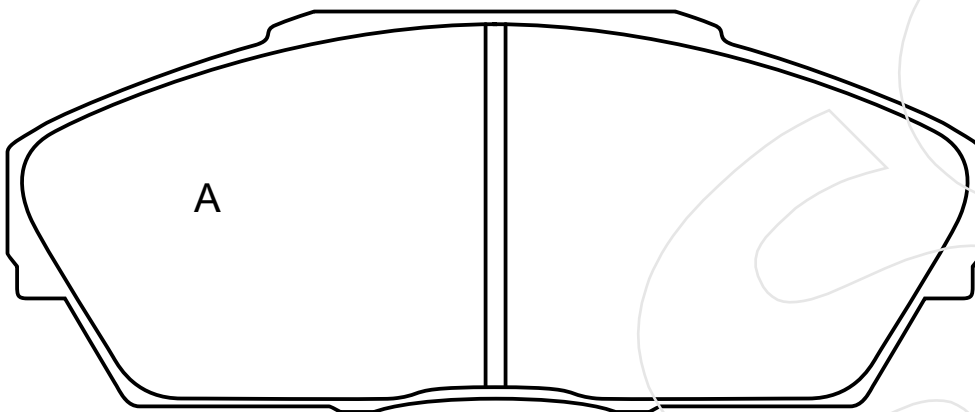
Reference in this Catalogue to other manufactures and to part numbers and other descriptions are for identification purposes only, because the above DISC BRAKE PADS are NOT ORIGINAL but with these interchangeable.

CODICE	IMPIANTO		ASSE	SCALA	APPLICAZIONI
<b>R-370</b>	AKEBONO		ANTERIORE	1:1	NISSAN-DATSUN
CODICE COMPONENTI	N°	L(mm)	SERIE		
*	*	*	2 PEZZI TIPO A		
M0056	2	*	2 PEZZI TIPO B		
*	*	*			
CODICE ACCESSORI	N°	L(mm)	NOTE		
*	*	*	*		
*	*	*	*		
*	*	*	*		
*	*	*	*		



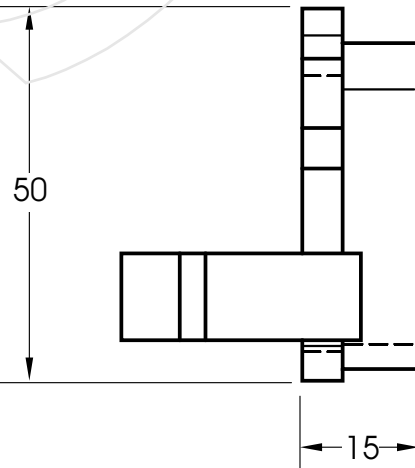
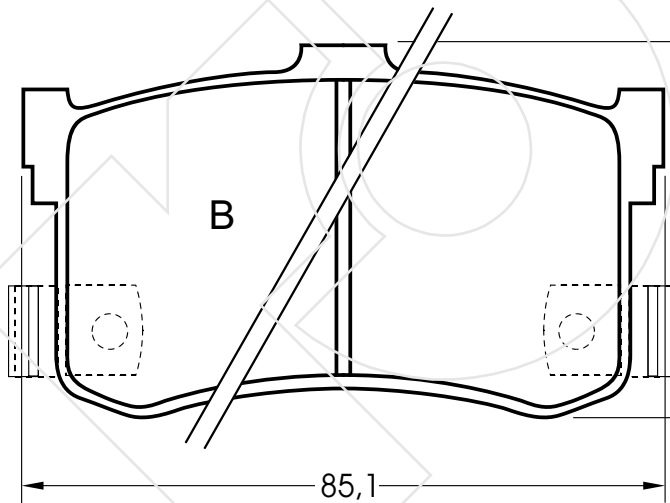
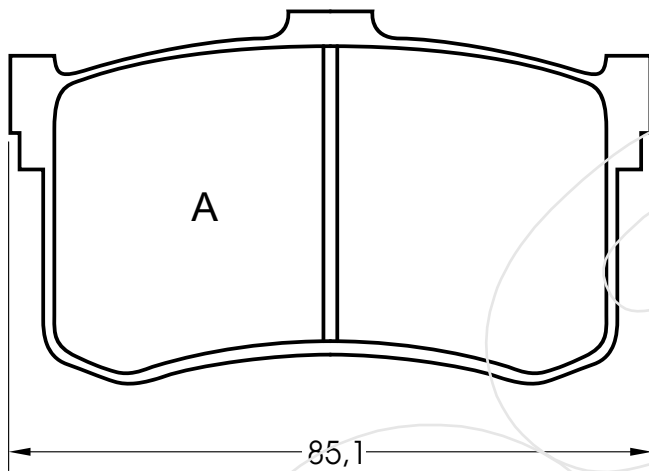
Reference in this Catalogue to other manufactures and to part numbers and other descriptions are for identification purposes only, because the above DISC BRAKE PADS are NOT ORIGINAL but with these interchangeable.

CODICE	IMPIANTO	ASSE	SCALA	APPLICAZIONI
<b>R-371</b>	AKEBONO	ANTERIORE	1:1	HONDA ROVER
CODICE COMPONENTI	N°	L(mm)	SERIE	
*	*	*	2 PEZZI TIPO A	
M0057	2	*	2 PEZZI TIPO B	
*	*			
CODICE ACCESSORI	N°	L(mm)	NOTE	
*	*		*	
*	*		*	
*	*		*	
*	*		*	



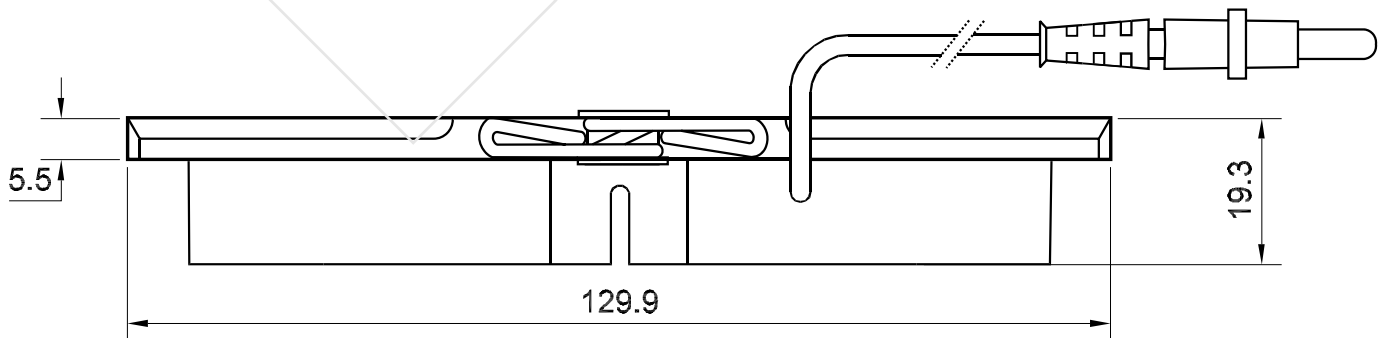
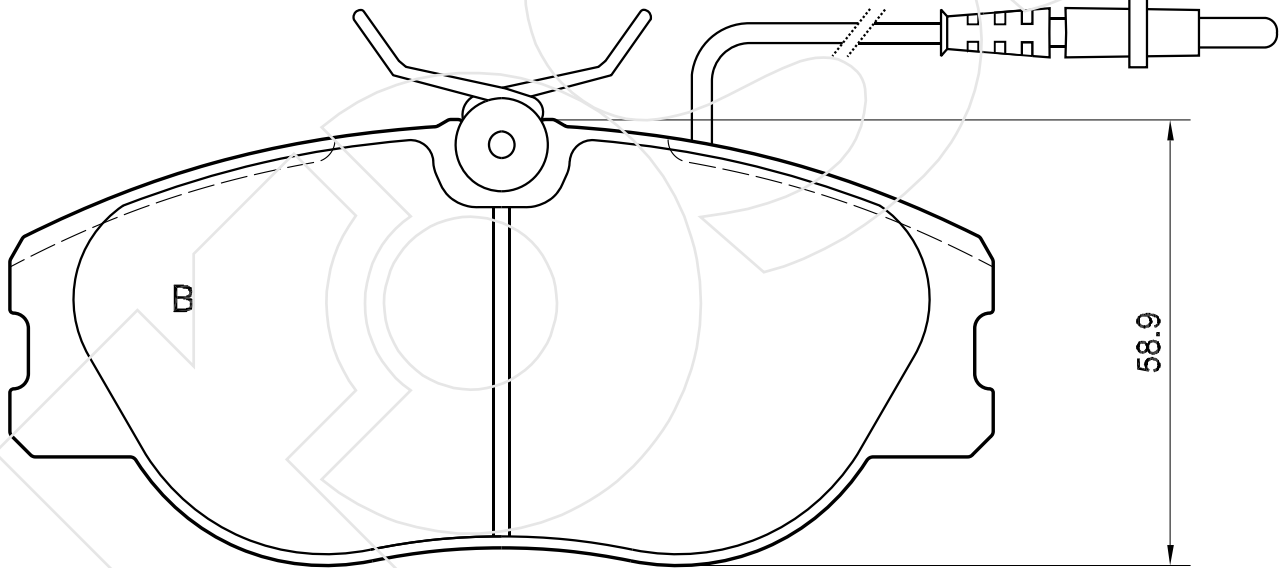
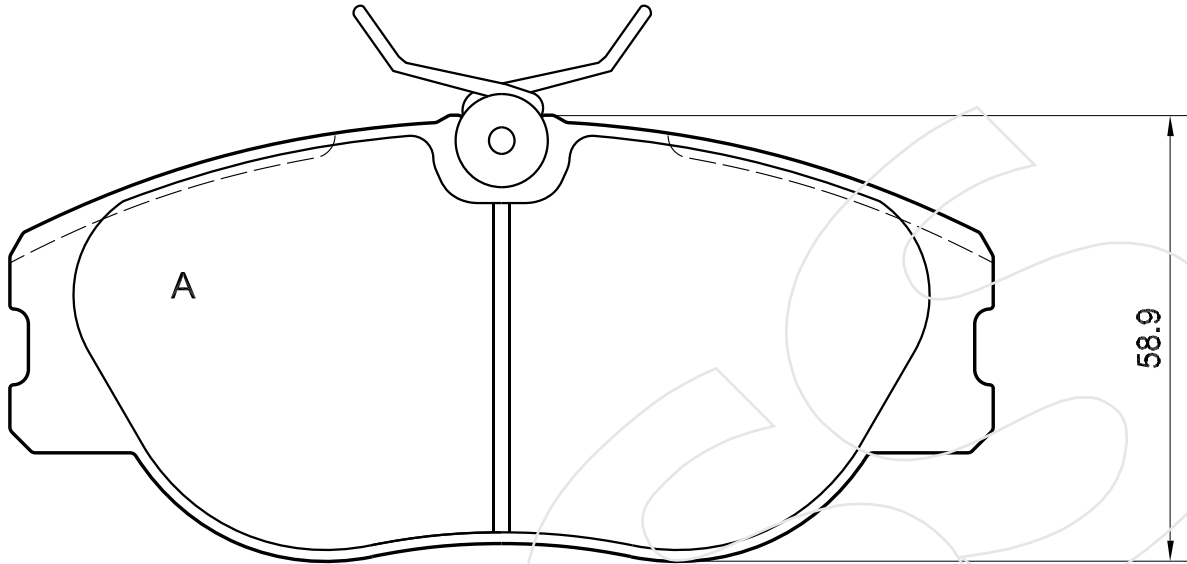
Reference in this Catalogue to other manufactures and to part numbers and other descriptions are for identification purposes only, because the above DISC BRAKE PADS are NOT ORIGINAL but with these interchangeable.

CODICE	IMPIANTO		ASSE	SCALA	APPLICAZIONI
<b>R-372</b>	AKEBONO		POSTERIORE	1:1	HONDA ROVER
CODICE COMPONENTI	N°	L(mm)	SERIE		
*	*	*	2 PEZZI TIPO A		
M0058	2	*	2 PEZZI TIPO B		
*	*	*			
CODICE ACCESSORI	N°	L(mm)	NOTE		
*	*	*			
*	*	*			
*	*	*			
*	*	*			



Reference in this Catalogue to other manufactures and to part numbers and other descriptions are for identification purposes only, because the above DISC BRAKE PADS are NOT ORIGINAL but with these interchangeable.

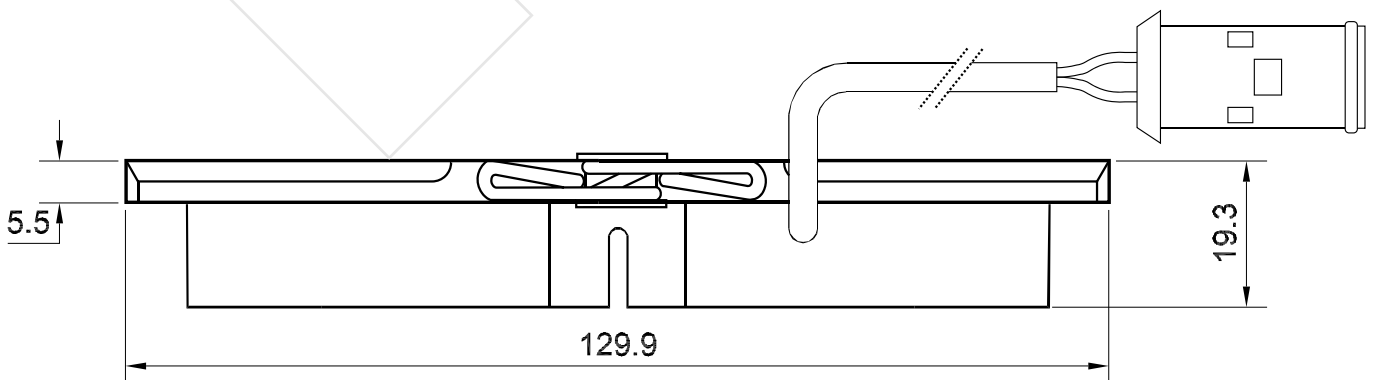
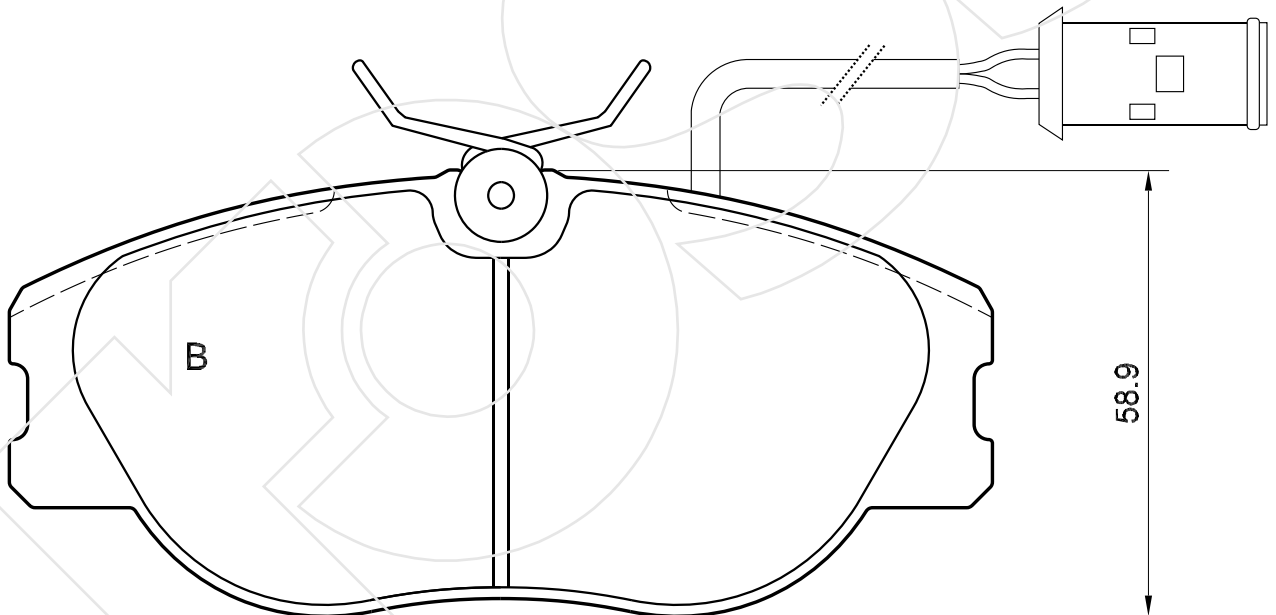
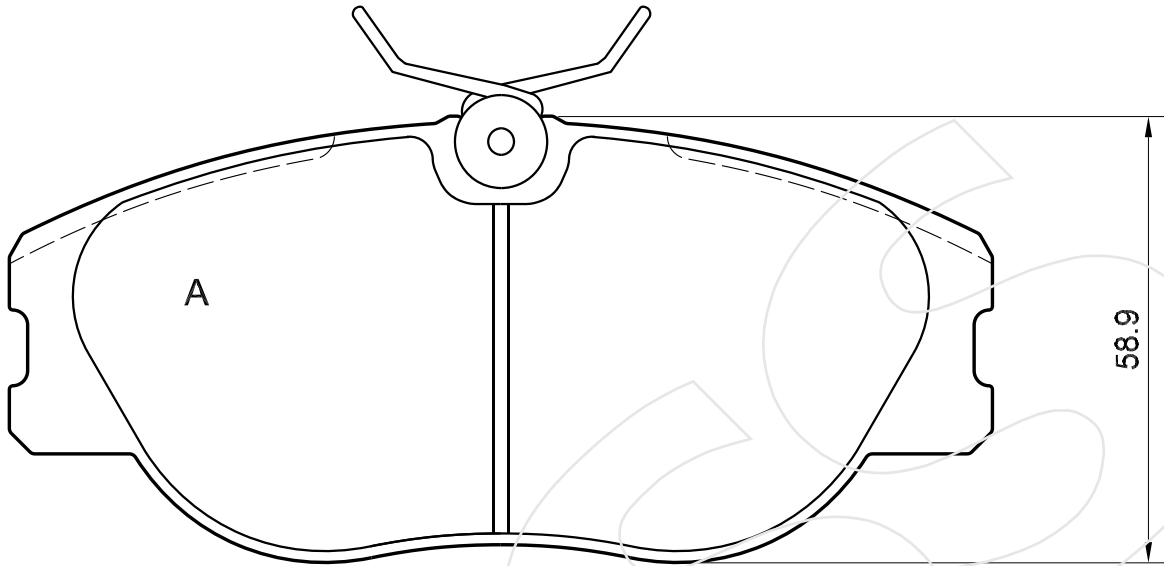
CODICE	IMPIANTO		ASSE	SCALA	APPLICAZIONI
<b>R-373</b>	GIRLING		ANTERIORE	100%	ALFAROMEO FIAT LANCIA
CODICE COMPONENTI	N°	L(mm)	SERIE		
M0015+P1004	2+2	*	2 PEZZI TIPO A		
M0015+P1004+F3006	2+2+2	200	2 PEZZI TIPO B		
*	*	*	*		
*	*	*	*		
CODICE ACCESSORI	N°	L(mm)	NOTE		
*	*	*			
*	*	*			
*	*	*			
*	*	*			



Reference in this Catalogue to other manufactures and to part numbers and other descriptions are for identification purposes only, because the above DISC BRAKE PADS are NOT ORIGINAL but with these interchangeable.

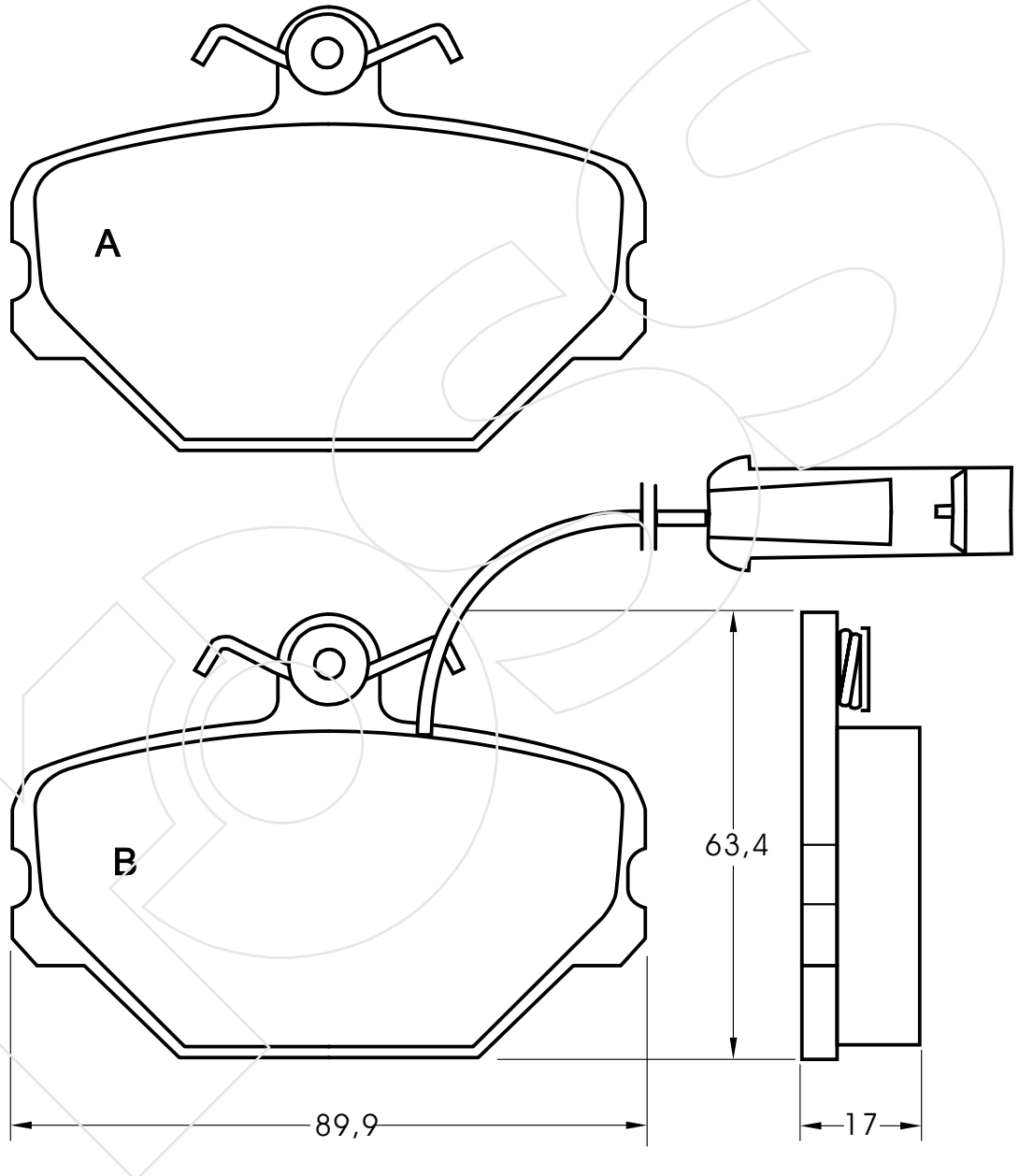


CODICE	IMPIANTO		ASSE	SCALA	APPLICAZIONI
<b>R-374</b>	GIRLING		ANTERIORE	100%	ALFA ROMEO
CODICE COMPONENTI	N°	L(mm)	SERIE		
M0015+P1004	2+2	*	2 PEZZI TIPO A		
M0015+P1004+F3030	2+2+2	460	2 PEZZI TIPO B		
*	*	*	*		
*	*	*	*		
CODICE ACCESSORI	N°	L(mm)	NOTE		
*	*	*			
*	*	*			
*	*	*			
*	*	*			



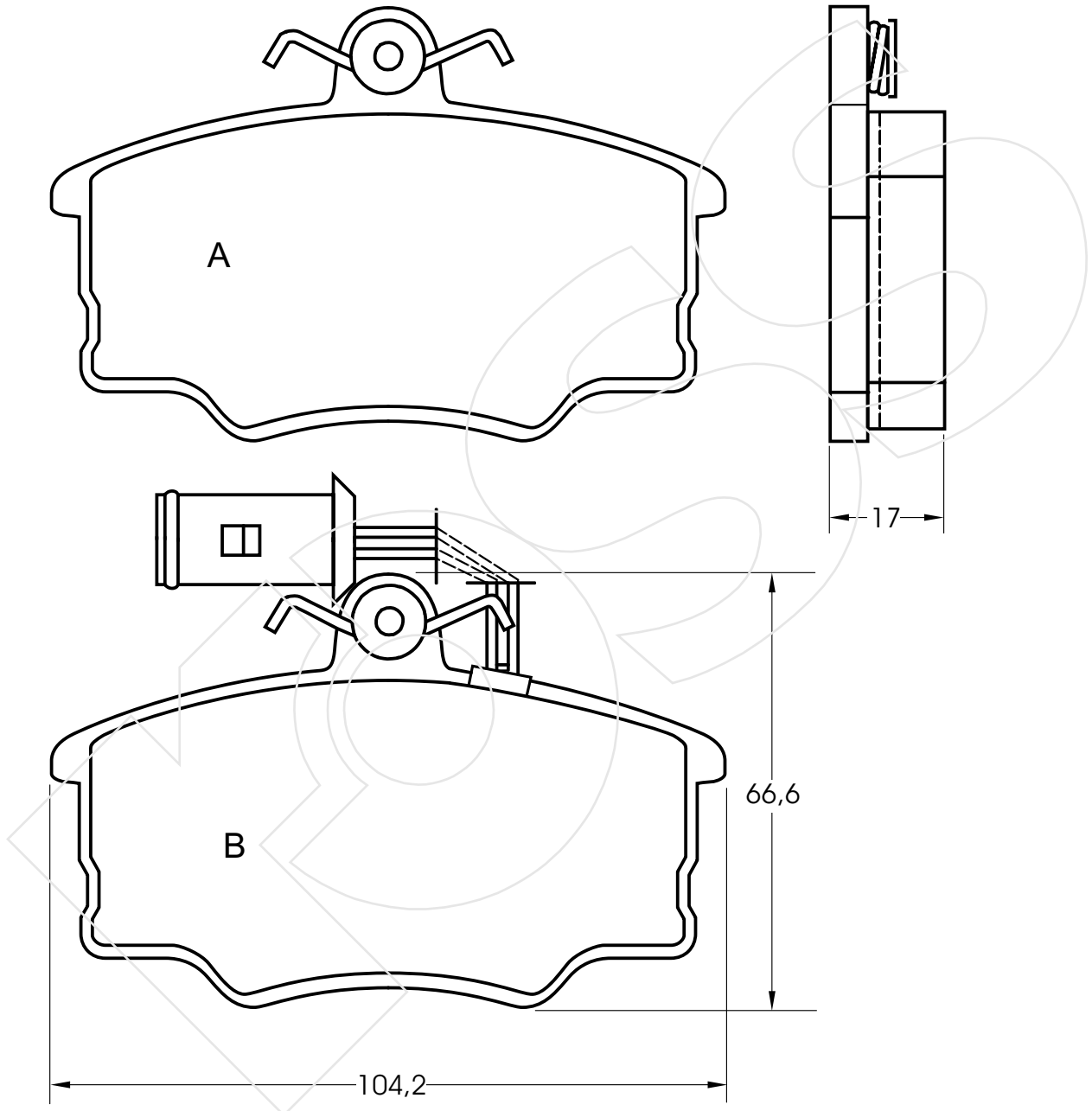
Reference in this Catalogue to other manufactures and to part numbers and other descriptions are for identification purposes only, because the above DISC BRAKE PADS are NOT ORIGINAL but with these interchangeable.

CODICE	IMPIANTO		ASSE	SCALA	APPLICAZIONI
<b>R-375</b>	GIRLING		ANTERIORE	1:1	FIAT
CODICE COMPONENTI	N°	L(mm)	SERIE		
M0077+P1011	3+3	*	3 PEZZI TIPO A		
M077+P1011+F3020	1+1+1	250	1 PEZZO TIPO B		
*	*	*			
*	*	*			
CODICE ACCESSORI	N°	L(mm)	NOTE		
			*		
	*		*		
*	*		*		
*	*		*		



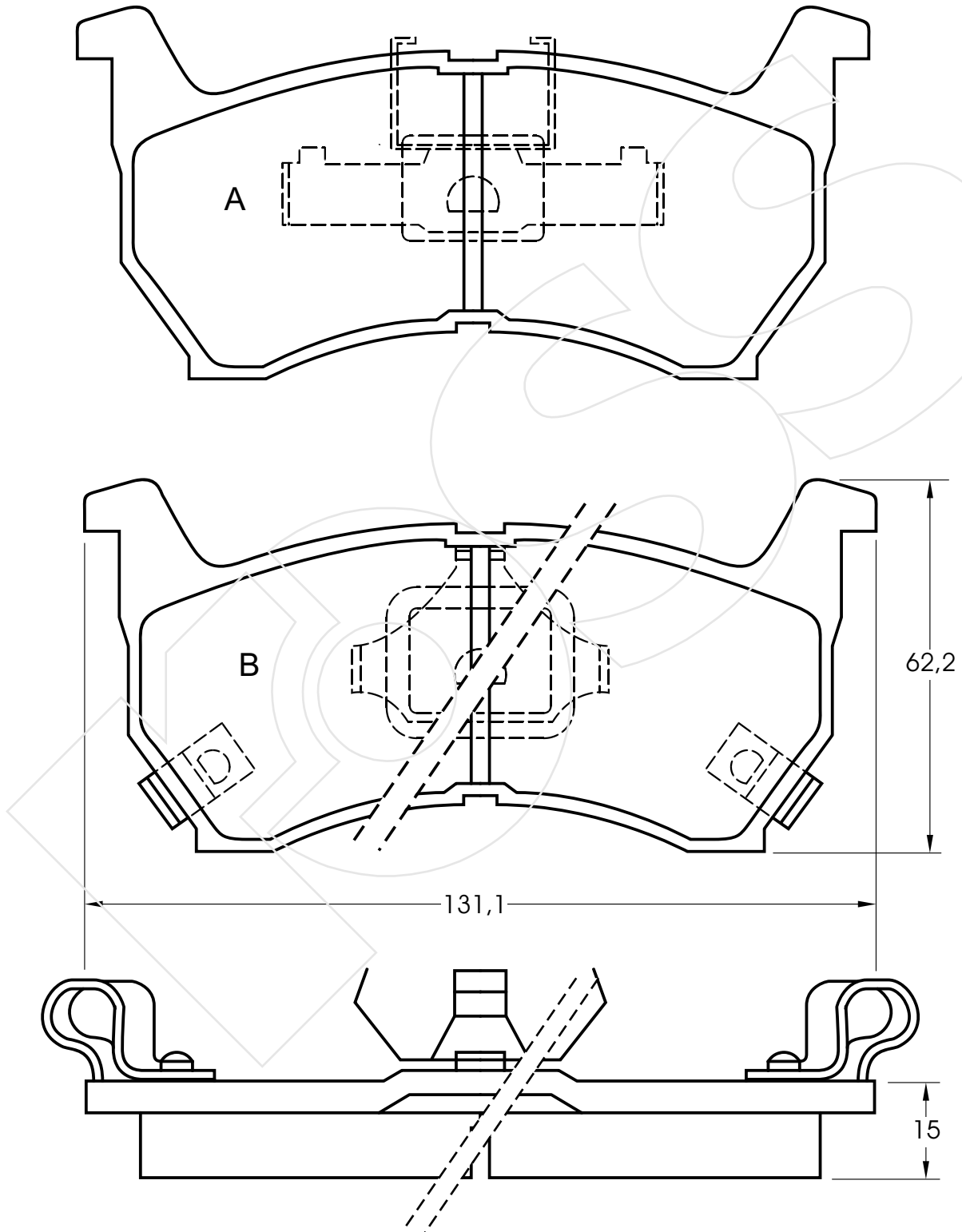
Reference in this Catalogue to other manufactures and to part numbers and other descriptions are for identification purposes only, because the above DISC BRAKE PADS are NOT ORIGINAL but with these interchangeable.

CODICE	IMPIANTO	ASSE	SCALA	APPLICAZIONI
<b>R-376</b>	GIRLING	ANTERIORE	1:1	ALFAROMEO
CODICE COMPONENTI	N°	L(mm)	SERIE	
M0077+P1012	2+2	*	2 PEZZI TIPO A	
M0077+P1012+F3030	2+2+2	460	2 PEZZI TIPO B	
*	*			
CODICE ACCESSORI	N°	L(mm)	NOTE	
*	*		*	
*	*		*	
*	*		*	
*	*		*	



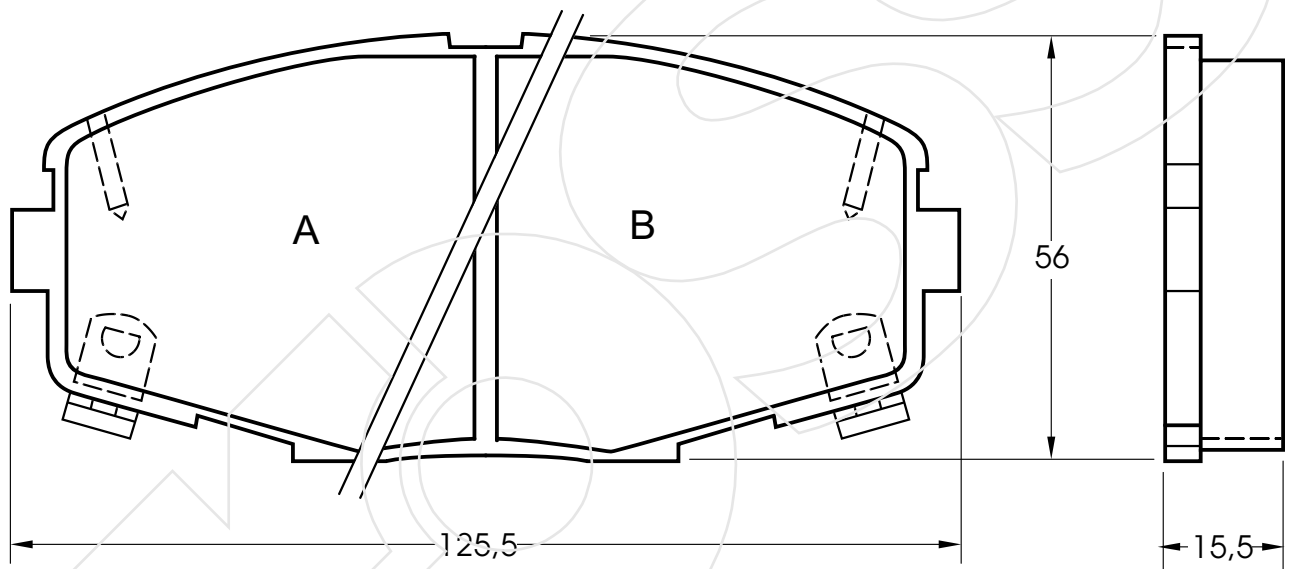
Reference in this Catalogue to other manufactures and to part numbers and other descriptions are for identification purposes only, because the above DISC BRAKE PADS are NOT ORIGINAL but with these interchangeable.

CODICE	IMPIANTO		ASSE	SCALA	APPLICAZIONI
<b>R-377</b>	AKEBONO		ANTERIORE	1:1	MAZDA
CODICE COMPONENTI	N°	L(mm)	SERIE		
M0022	2	*	2 PEZZI TIPO A		
M0020+M0021+M0070	2+2+2	*	2 PEZZI TIPO B		
*	*				
CODICE ACCESSORI	N°	L(mm)	NOTE		
*	*		*		
*	*		*		
*	*		*		
*	*		*		



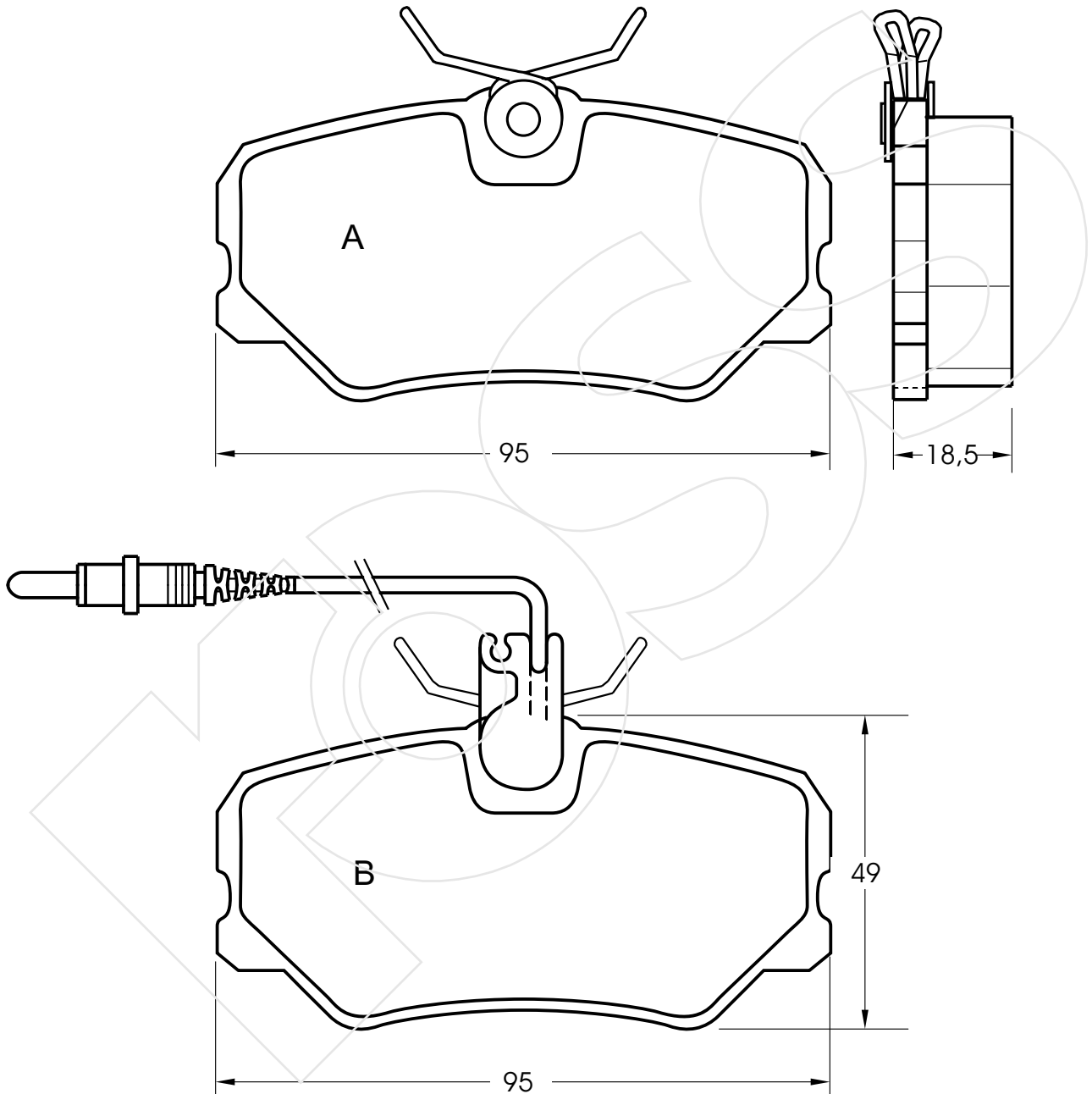
Reference in this Catalogue to other manufactures and to part numbers and other descriptions are for identification purposes only, because the above DISC BRAKE PADS are NOT ORIGINAL but with these interchangeable.

CODICE	IMPIANTO	ASSE	SCALA	APPLICAZIONI
<b>R-378</b>	AKEBONO	ANTERIORE	1:1	TOYOTA
CODICE COMPONENTI	N°	L(mm)	SERIE	
M0059	2	*	2 PEZZI TIPO A	
M0059	2	*	2 PEZZI TIPO B	
*	*			
CODICE ACCESSORI	N°	L(mm)	NOTE	
*	*		*	
*	*		*	
*	*		*	
*	*		*	



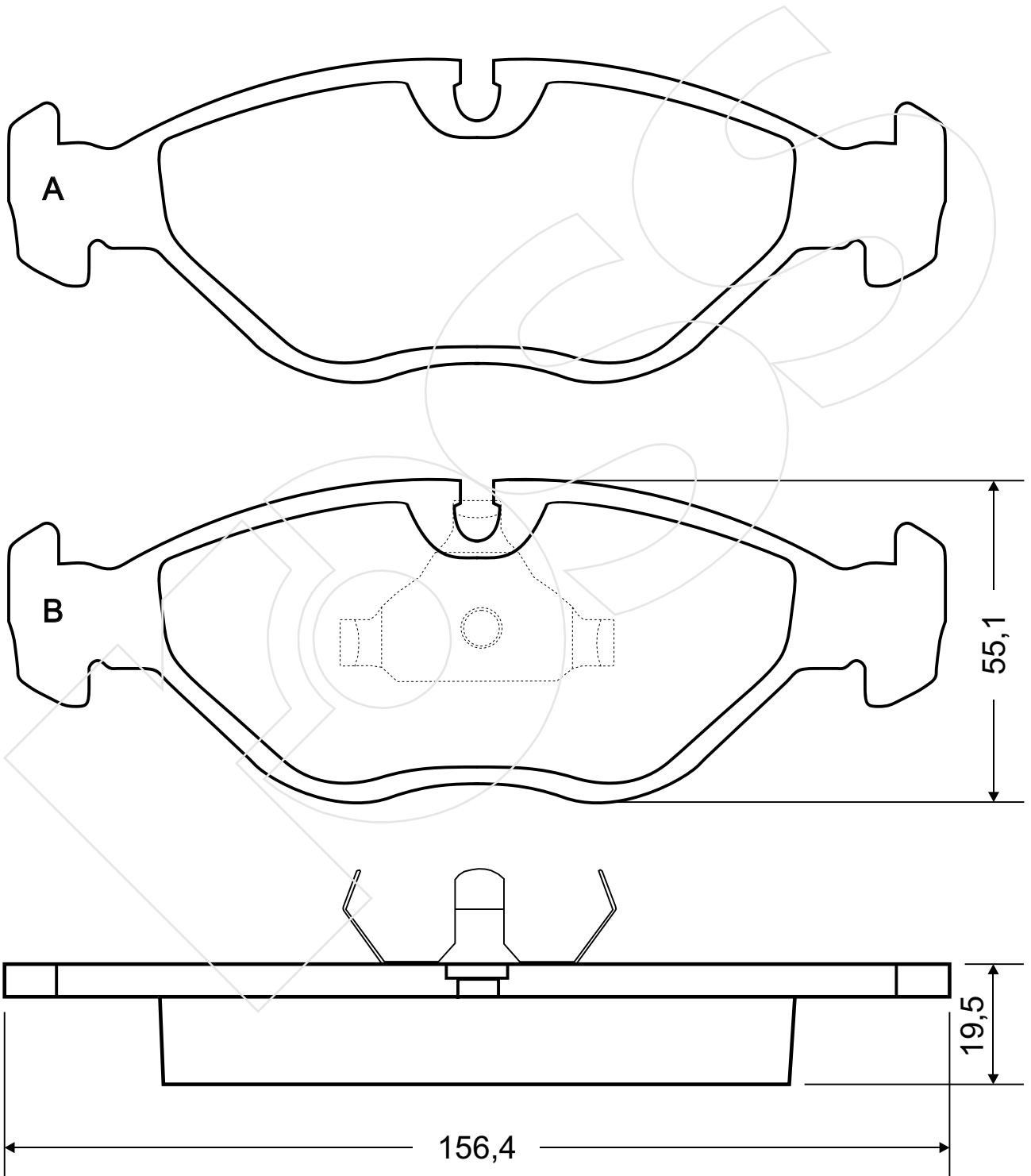
Reference in this Catalogue to other manufactures and to part numbers and other descriptions are for identification purposes only, because the above DISC BRAKE PADS are NOT ORIGINAL but with these interchangeable.

CODICE	IMPIANTO		ASSE	SCALA	APPLICAZIONI
<b>R-379</b>	GIRLING		ANTERIORE	1:1	PEUGEOT
CODICE COMPONENTI	N°	L(mm)	SERIE		
M0015+P1002	2+2	*	2 PEZZI TIPO A		
M0015+P1002+F3045	2+2+2	220	2 PEZZI TIPO B		
*	*				
CODICE ACCESSORI	N°	L(mm)	NOTE		
*	*		*		
*	*		*		
*	*		*		
*	*		*		



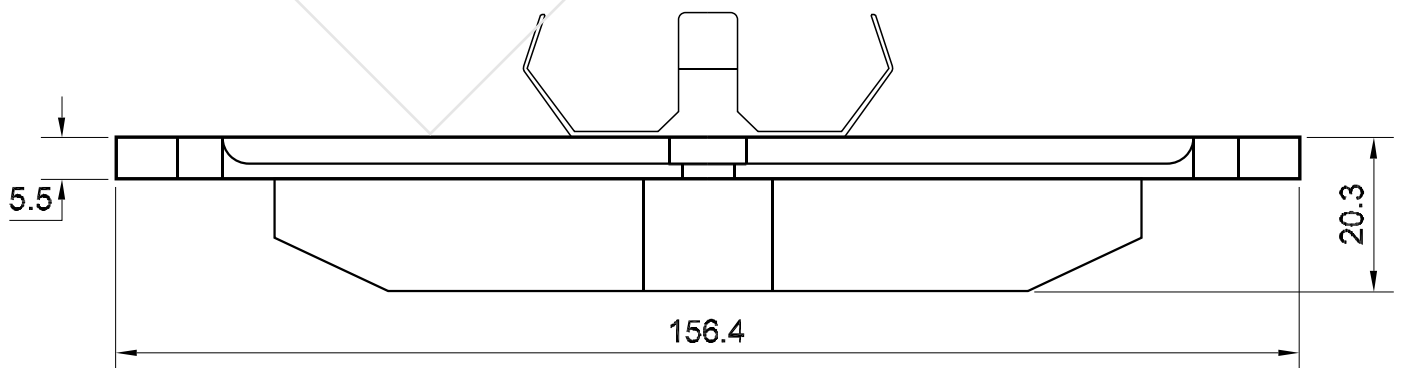
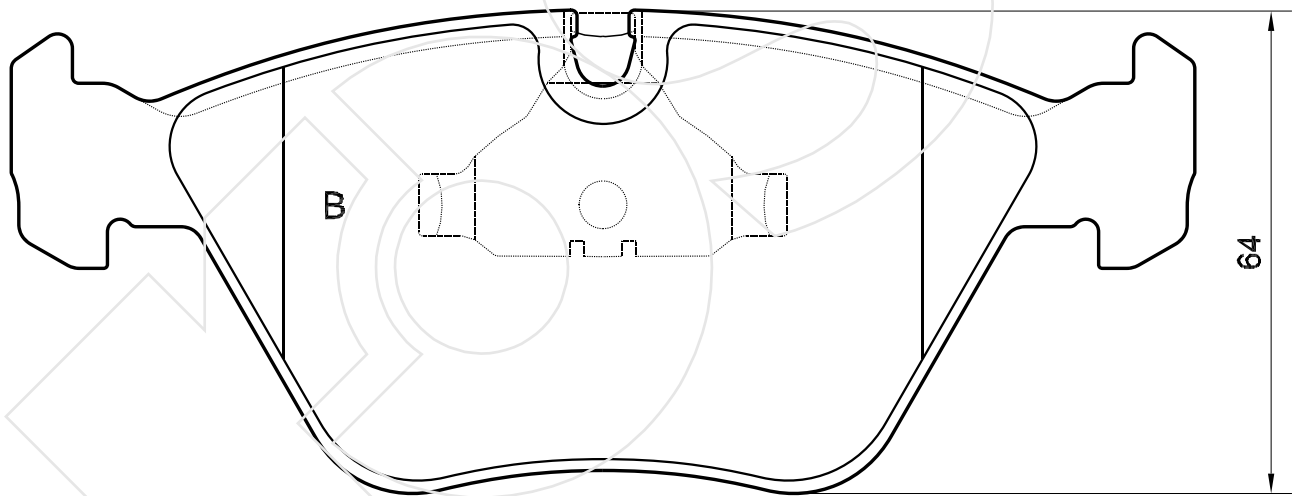
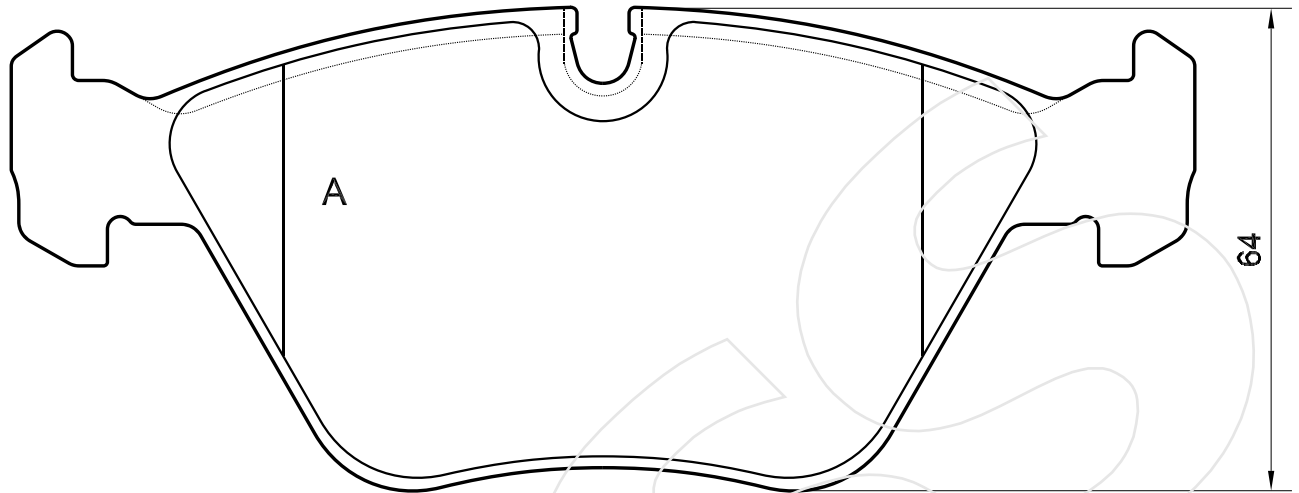
Reference in this Catalogue to other manufactures and to part numbers and other descriptions are for identification purposes only, because the above DISC BRAKE PADS are NOT ORIGINAL but with these interchangeable.

CODICE	IMPIANTO		ASSE	SCALA	APPLICAZIONI
<b>R-380</b>	ATE		ANTERIORE	1:1	SAAB
CODICE COMPONENTI	N°	L(mm)	SERIE		
*	*	*	2 PEZZI TIPO A		
M0129+P1002	2+2		2 PEZZI TIPO B		
*	*				
CODICE ACCESSORI	N°	L(mm)	NOTE		
*	*		*		
*	*		*		
*	*		*		
*	*		*		



Reference in this Catalogue to other manufactures and to part numbers and other descriptions are for identification purposes only, because the above DISC BRAKE PADS are NOT ORIGINAL but with these interchangeable.

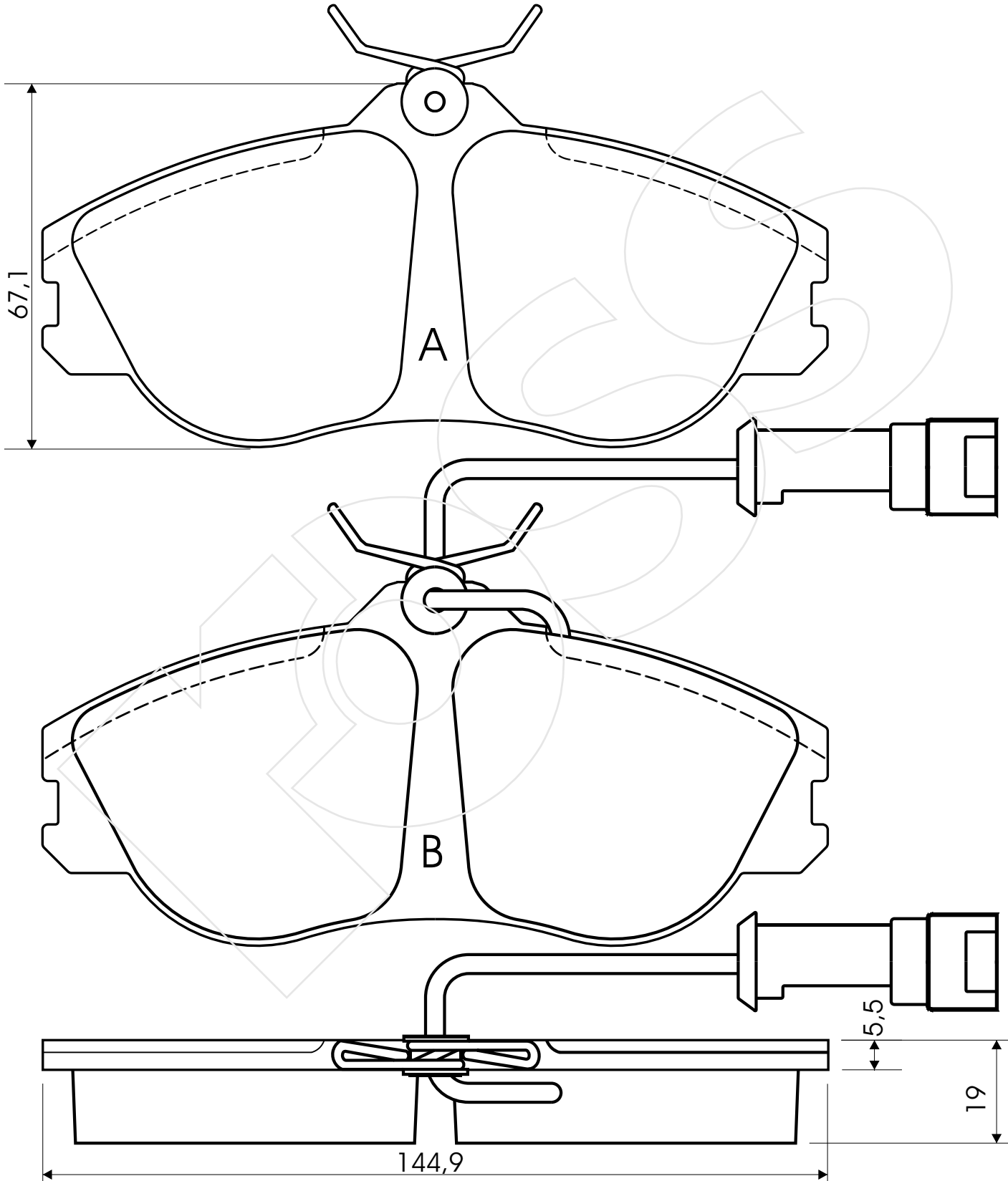
CODICE	IMPIANTO		ASSE	SCALA	APPLICAZIONI
<b>R-381</b>	ATE		ANTERIORE	1:1	BMV
CODICE COMPONENTI	N°	L(mm)	SERIE		
*	*	*	2 PEZZI TIPO A		
M0029+P1002	2+2		2 PEZZI TIPO B		
*	*				
CODICE ACCESSORI	N°	L(mm)	NOTE		
*	*		*		
*	*		*		
*	*		*		
*	*		*		



Reference in this Catalogue to other manufactures and to part numbers and other descriptions are for identification purposes only, because the above DISC BRAKE PADS are NOT ORIGINAL but with these interchangeable.

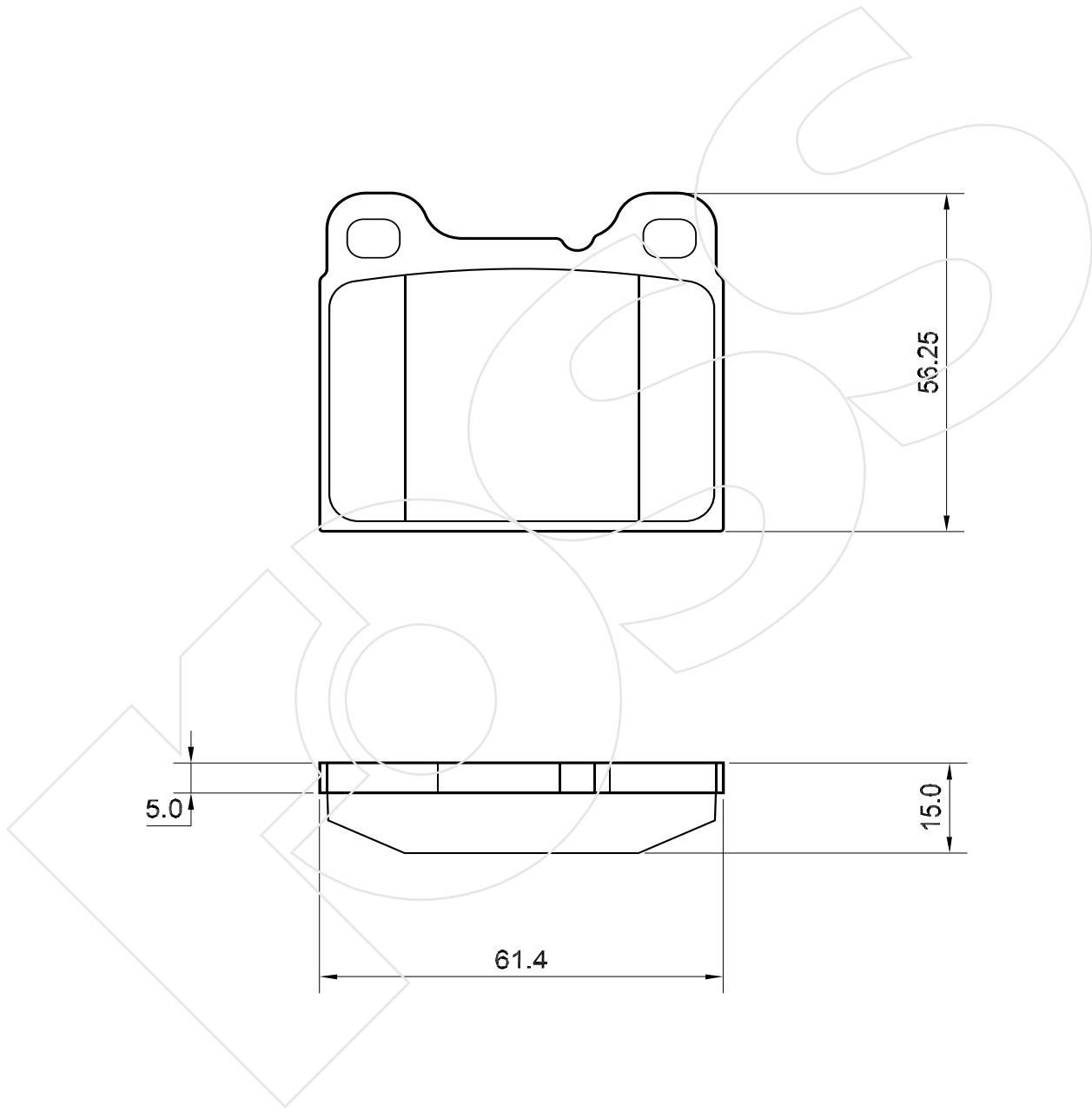


CODICE	IMPIANTO		ASSE	SCALA	APPLICAZIONI
<b>R-382</b>	GIRLING		ANTERIORE	100%	TOYOTA
CODICE COMPONENTI	N°	L(mm)	SERIE		
M0015+P1004	2+2	*	2 PEZZI TIPO A		
M0015+P1004+F3032	2+2+2	315	2 PEZZI TIPO B		
*	*	*	*		
*	*	*	*		
CODICE ACCESSORI	N°	L(mm)	NOTE		
*	*	*			
*	*	*			
*	*	*			
*	*	*			



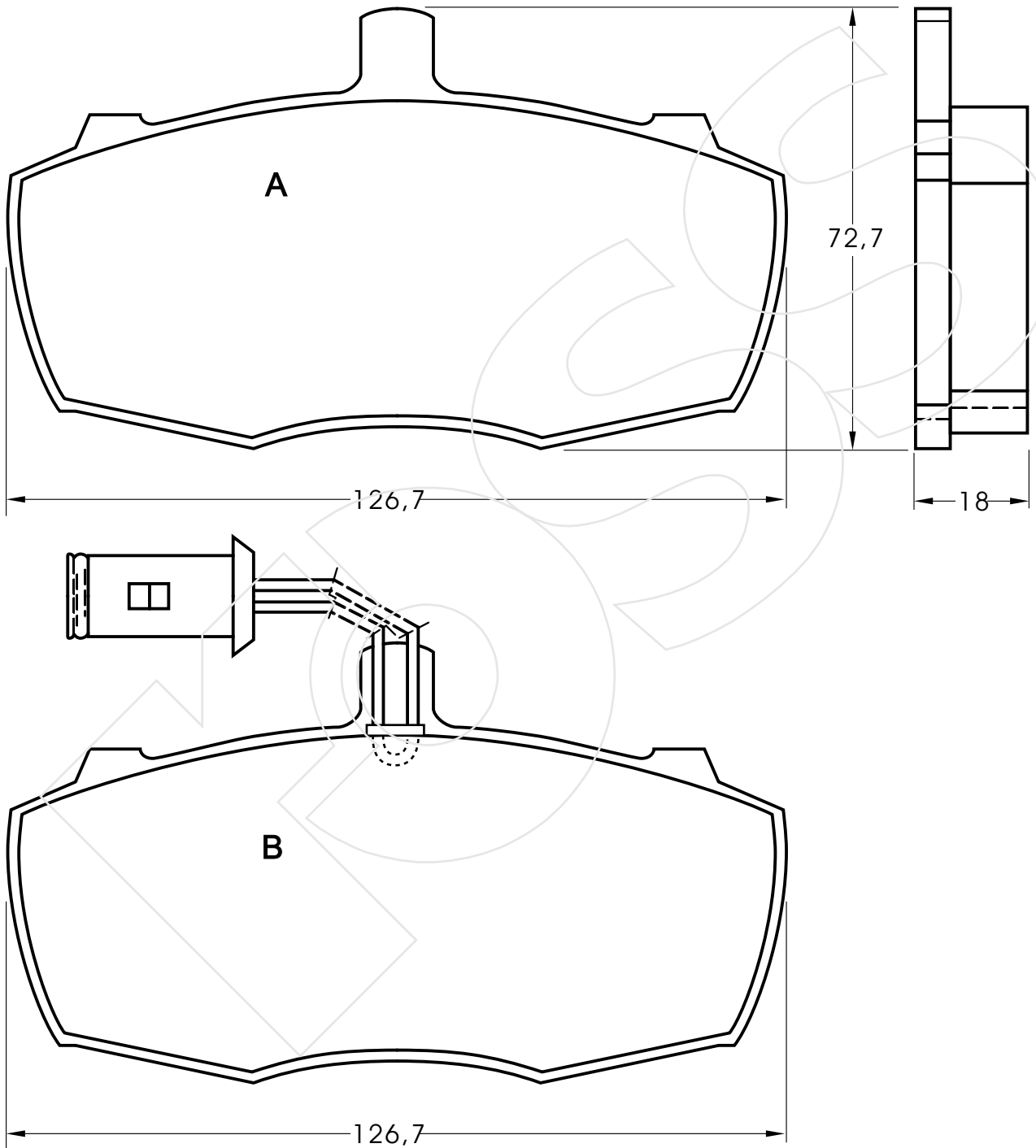
Referende in this Catalogue to other manufactures and to part numbers and other descriptions are for identification purposes only, because the above DISC BRAKE PADS are NOT ORIGINAL but with these interchangeable.

CODICE	IMPIANTO	ASSE	SCALA	APPLICAZIONI
<b>R-383</b>	ATE	POSTERIORE	100%	VOLVO
CODICE COMPONENTI	N°	L(mm)	SERIE	
*	*	*	4 PEZZI	
*	*	*	*	
*	*	*	*	
*	*	*	*	
CODICE ACCESSORI	N°	L(mm)	NOTE	
*	*	*		
*	*	*		
*	*	*		
*	*	*		



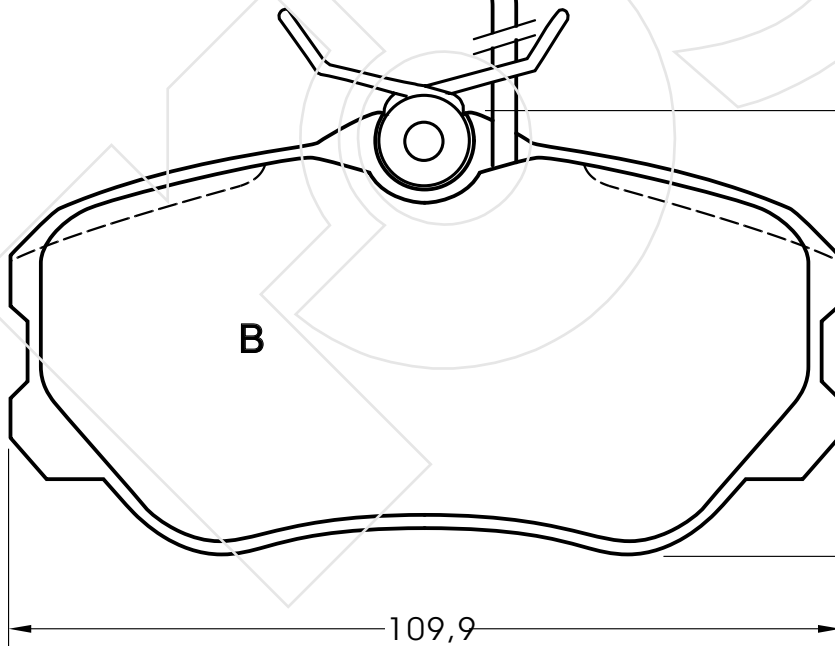
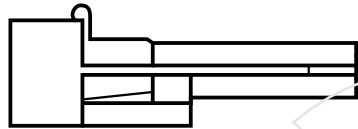
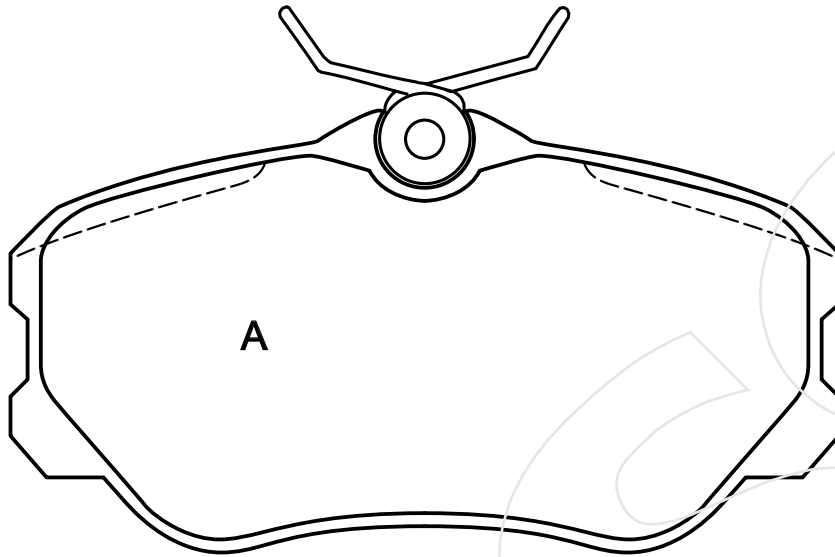
Reference in this Catalogue to other manufactures and to part numbers and other descriptions are for identification purposes only, because the above DISC BRAKE PADS are NOT ORIGINAL but with these interchangeable.

CODICE	IMPIANTO	ASSE	SCALA	APPLICAZIONI
<b>R-384</b>	LOCKEED	ANTERIORE	1:1	ROVER
CODICE COMPONENTI	N°	L(mm)	SERIE	
*	*	*	2 PEZZI TIPO A	
F3024	2	225	2 PEZZI TIPO B	
*	*	*		
*	*	*		
CODICE ACCESSORI	N°	L(mm)	NOTE	
			*	
	*		*	
*	*		*	
*	*		*	



Reference in this Catalogue to other manufactures and to part numbers and other descriptions are for identification purposes only, because the above DISC BRAKE PADS are NOT ORIGINAL but with these interchangeable.

CODICE	IMPIANTO		ASSE	SCALA	APPLICAZIONI
<b>R-385</b>	GIRLING		ANTERIORE	1:1	ALFAROMEO LANCIA
CODICE COMPONENTI	N°	L(mm)	SERIE		
M0015+P1004	2+2	*	2 PEZZI TIPO A		
M0015+P1004+F3019	2+2+2	220	2 PEZZI TIPO B		
*	*	*			
*	*	*			
CODICE ACCESSORI	N°	L(mm)	NOTE		
			*		
	*		*		
*	*		*		
*	*		*		



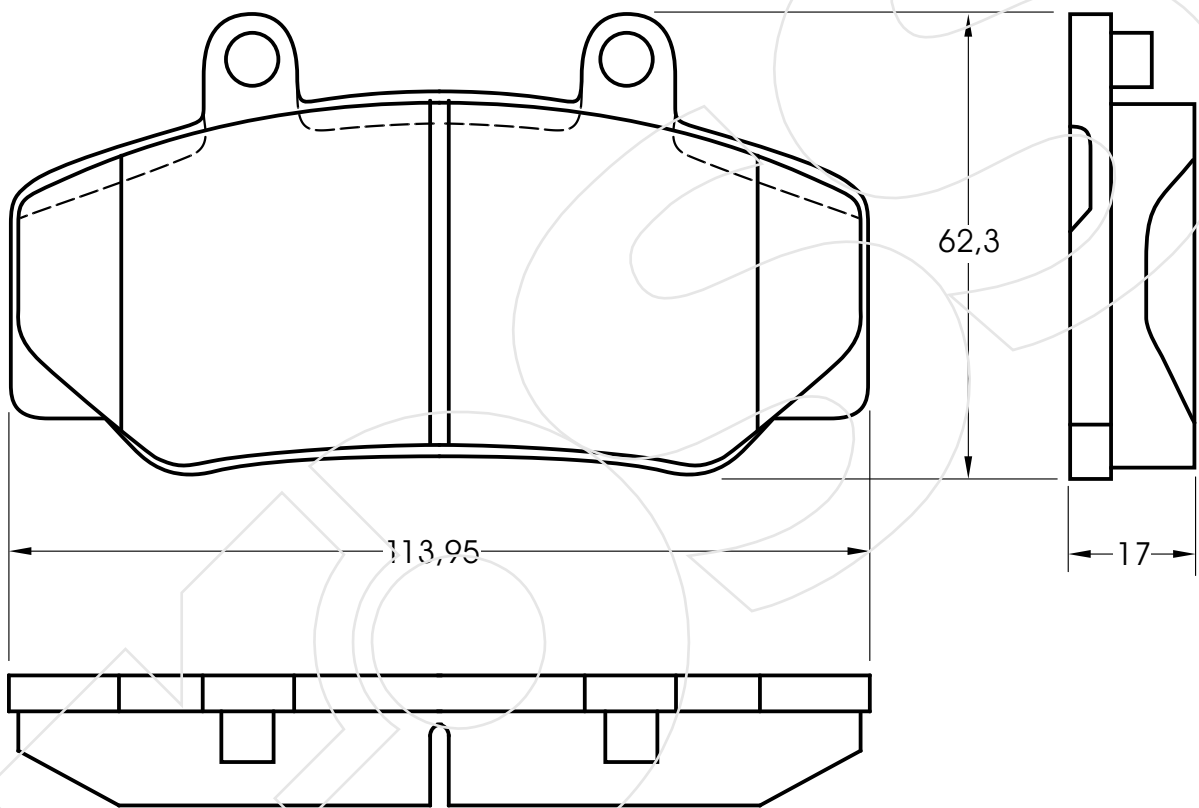
58,7

109,9

19

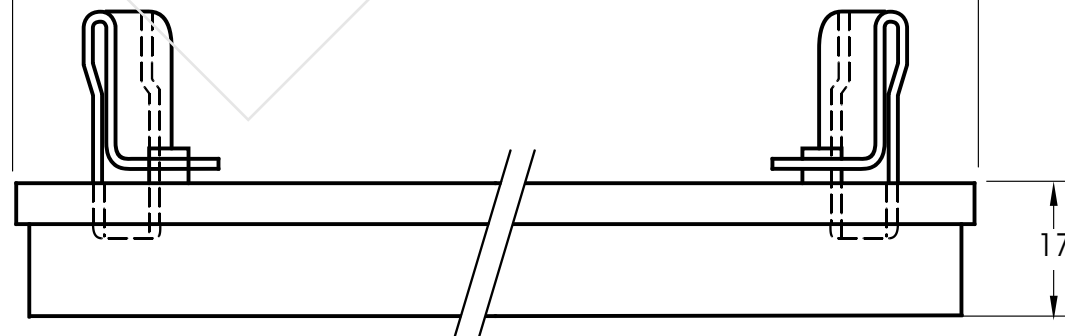
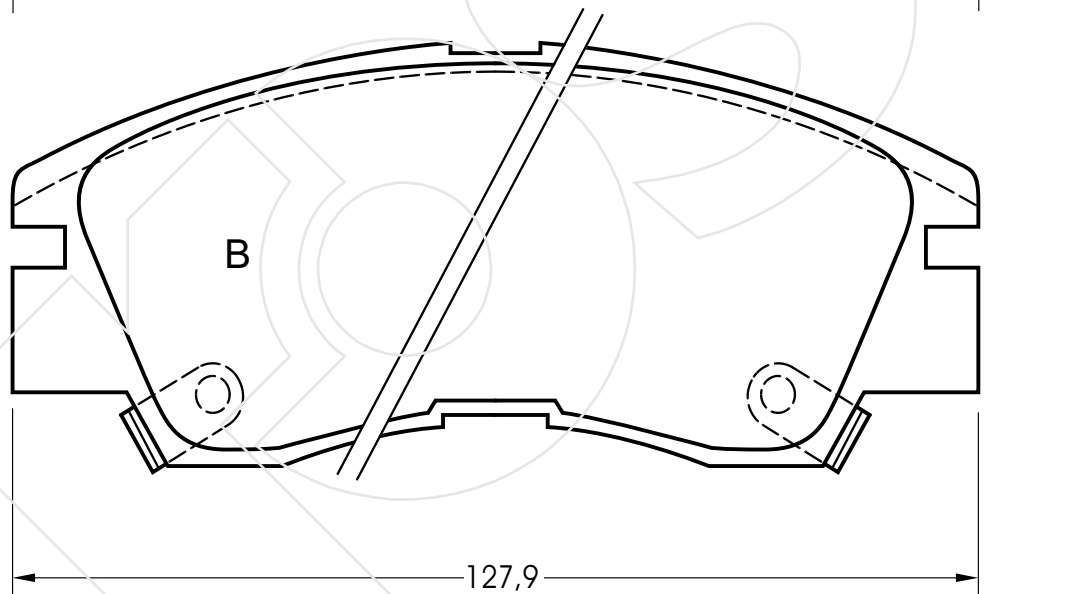
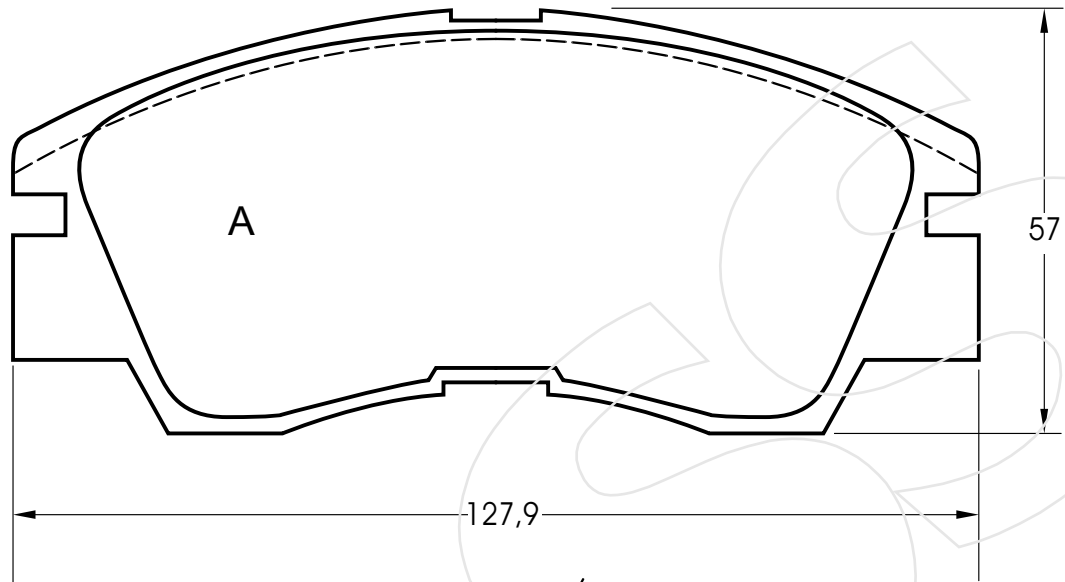
Reference in this Catalogue to other manufactures and to part numbers and other descriptions are for identification purposes only, because the above DISC BRAKE PADS are NOT ORIGINAL but with these interchangeable.

CODICE	IMPIANTO		ASSE	SCALA	APPLICAZIONI
<b>R-386</b>	BENDIX		ANTERIORE	1:1	VOLVO
CODICE COMPONENTI	N°	L(mm)	SERIE		
P1007	8	*	4 PEZZI		
*	*	*			
*	*	*			
*	*	*			
CODICE ACCESSORI	N°	L(mm)	NOTE		
*	*	*			
*	*	*			
*	*	*			
*	*	*			



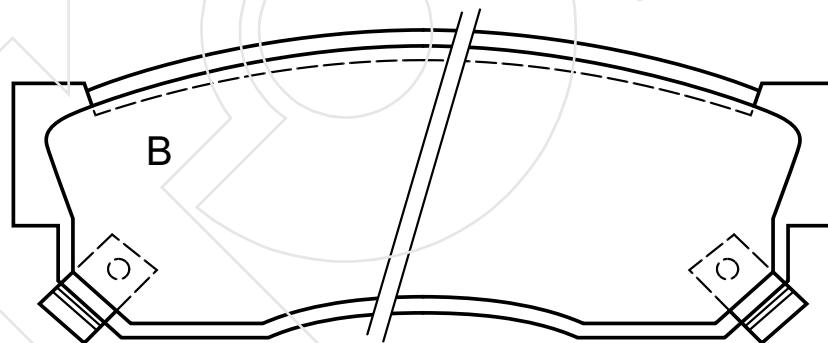
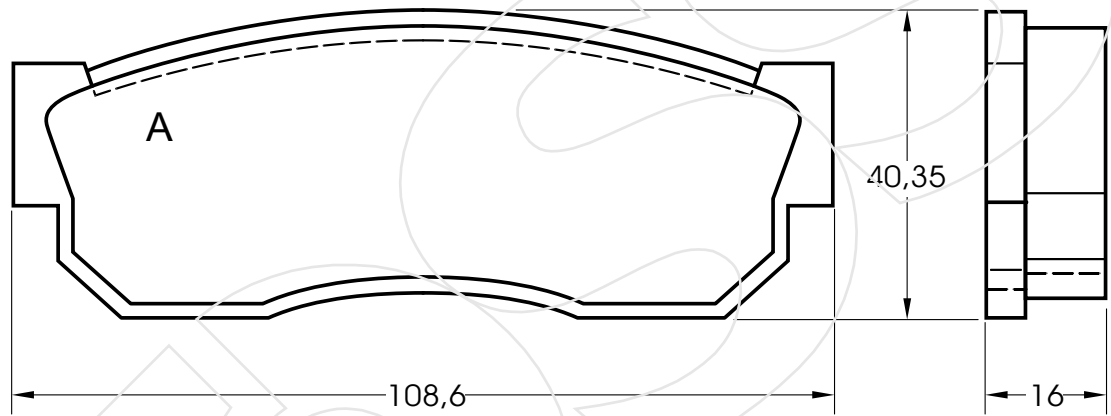
Reference in this Catalogue to other manufactures and to part numbers and other descriptions are for identification purposes only, because the above DISC BRAKE PADS are NOT ORIGINAL but with these interchangeable.

CODICE	IMPIANTO		ASSE	SCALA	APPLICAZIONI
<b>R-387</b>	AKEBONO		ANTERIORE	1:1	MITSUBISHI
CODICE COMPONENTI	N°	L(mm)	SERIE		
*	*	*	2 PEZZI TIPO A		
M0060	2	*	2 PEZZI TIPO B		
*	*	*			
*	*	*			
CODICE ACCESSORI	N°	L(mm)	NOTE		
*	*	*			
*	*	*			
*	*	*			
*	*	*			



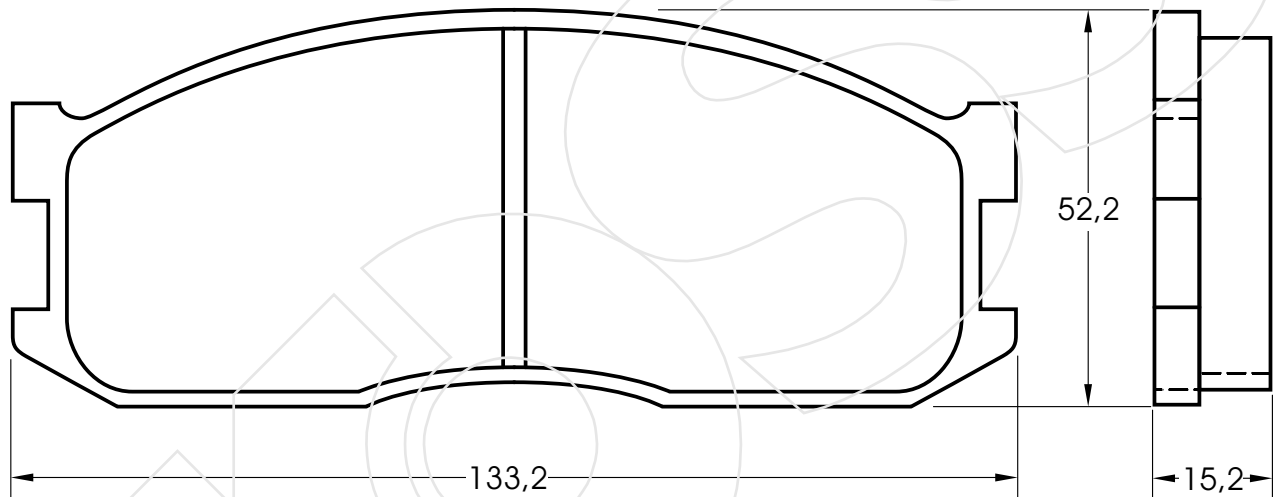
Reference in this Catalogue to other manufactures and to part numbers and other descriptions are for identification purposes only, because the above DISC BRAKE PADS are NOT ORIGINAL but with these interchangeable.

CODICE	IMPIANTO	ASSE	SCALA	APPLICAZIONI
<b>R-388</b>	SUMITOMO	ANTERIORE	1:1	NISSAN-DATSUN
CODICE COMPONENTI	N°	L(mm)	SERIE	
*	*	*	2 PEZZI TIPO A	
M0036	2	*	2 PEZZI TIPO B	
*	*	*		
*	*	*		
CODICE ACCESSORI	N°	L(mm)	NOTE	
*	*	*		
*	*	*		
*	*	*		
*	*	*		



Reference in this Catalogue to other manufactures and to part numbers and other descriptions are for identification purposes only, because the above DISC BRAKE PADS are NOT ORIGINAL but with these interchangeable.

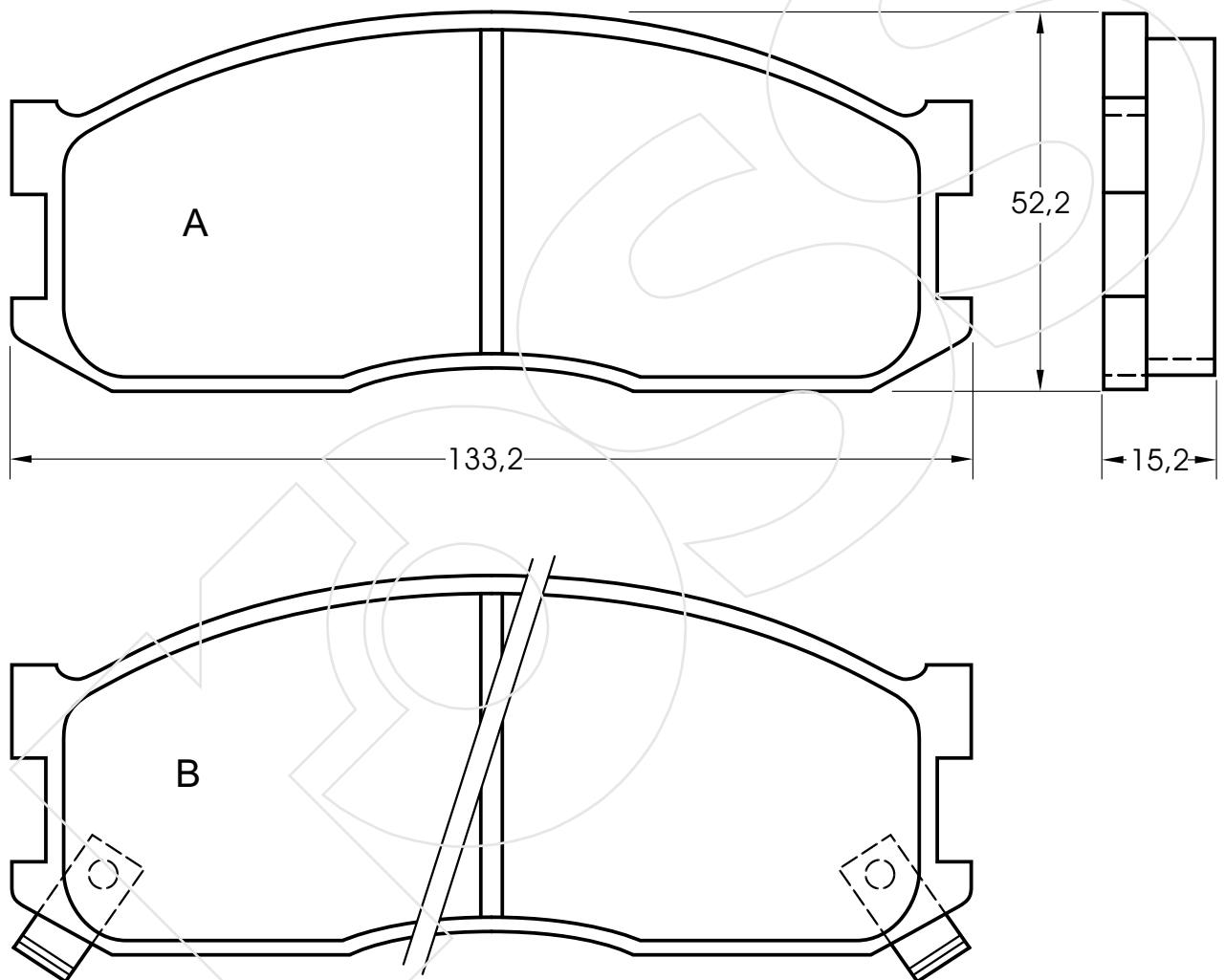
CODICE	IMPIANTO		ASSE	SCALA	APPLICAZIONI
<b>R-389</b>	AKEBONO		ANTERIORE	1:1	FORD MAZDA
CODICE COMPONENTI	N°	L(mm)	SERIE		
*	*	*	4 PEZZI		
*	*	*			
*	*	*			
*	*	*			
CODICE ACCESSORI	N°	L(mm)	NOTE		
			*		
*	*		*		
*	*		*		
*	*		*		



Reference in this Catalogue to other manufactures and to part numbers and other descriptions are for identification purposes only, because the above DISC BRAKE PADS are NOT ORIGINAL but with these interchangeable.

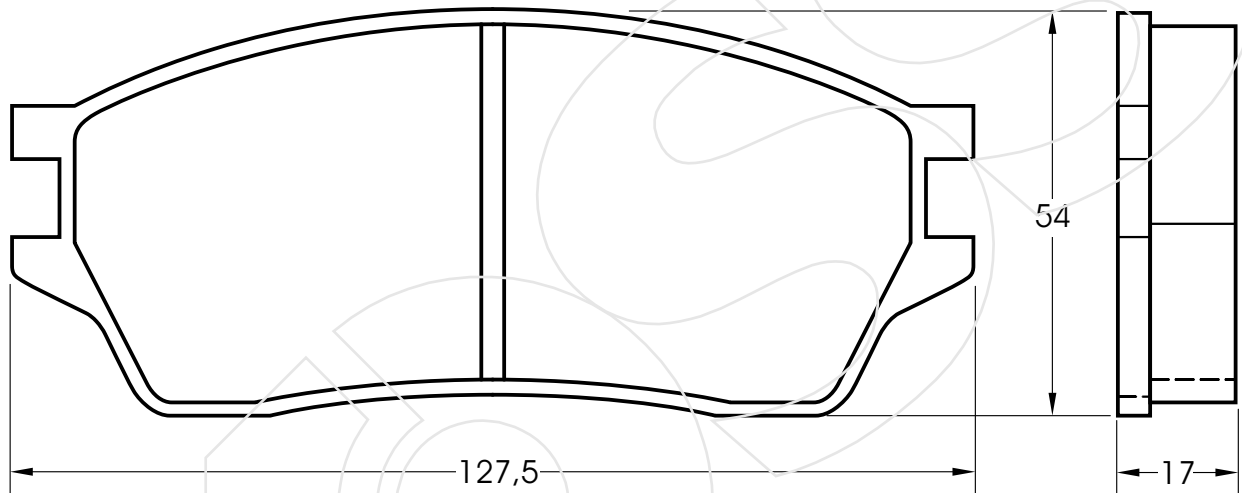


CODICE	IMPIANTO	ASSE	SCALA	APPLICAZIONI
<b>R-390</b>	AKEBONO	ANTERIORE	1:1	MAZDA
CODICE COMPONENTI	N°	L(mm)	SERIE	
*	*	*	2 PEZZI TIPO A	
M0061	2	*	2 PEZZI TIPO B	
*	*	*		
*	*	*		
CODICE ACCESSORI	N°	L(mm)	NOTE	
*	*	*		
*	*	*		
*	*	*		
*	*	*		



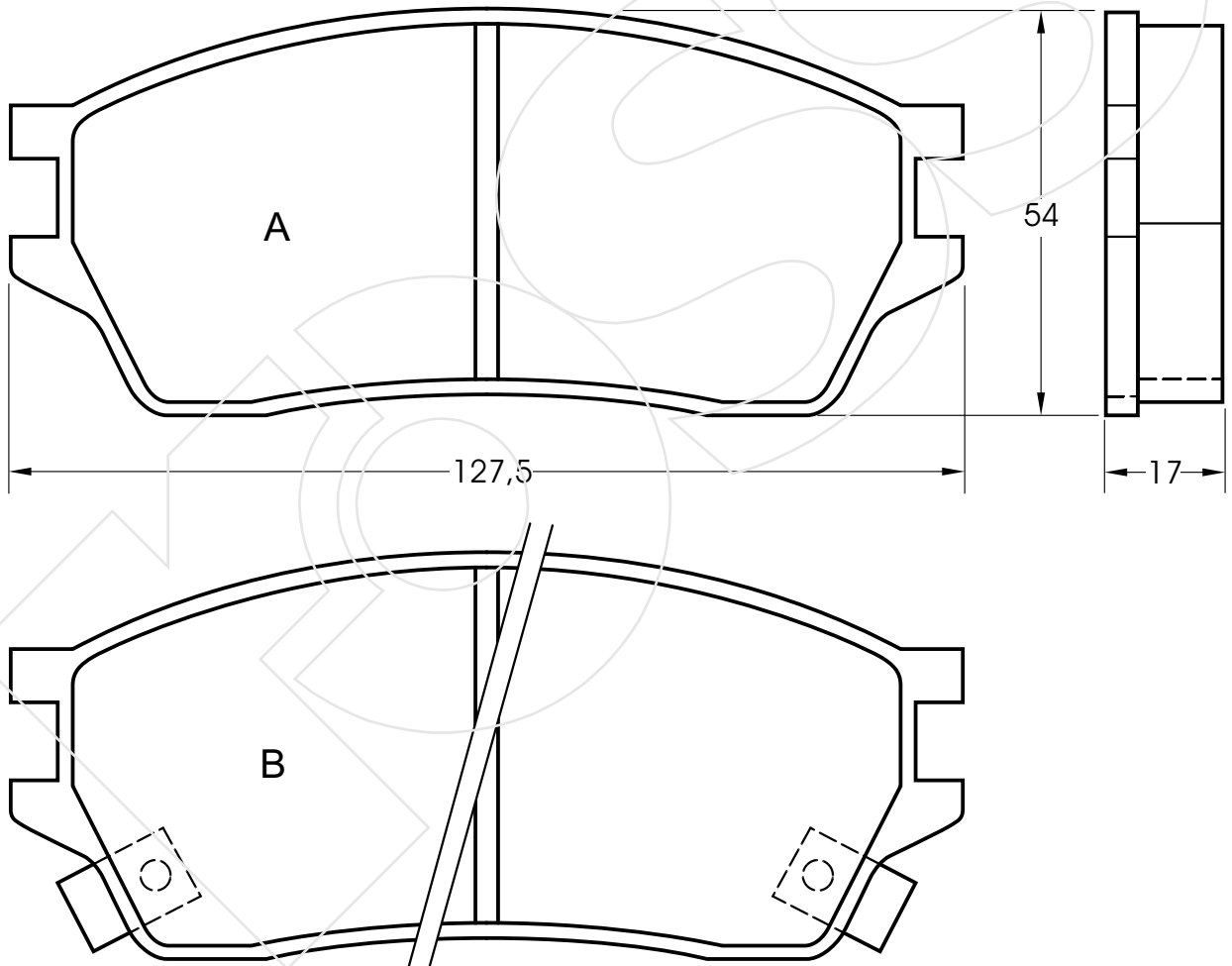
Reference in this Catalogue to other manufactures and to part numbers and other descriptions are for identification purposes only, because the above DISC BRAKE PADS are NOT ORIGINAL but with these interchangeable.

CODICE	IMPIANTO		ASSE	SCALA	APPLICAZIONI
<b>R-391</b>	AKEBONO		ANTERIORE	1:1	HONDA
CODICE COMPONENTI	N°	L(mm)	SERIE		
*	*	*	4 PEZZI		
*	*	*			
*	*	*			
*	*	*			
CODICE ACCESSORI	N°	L(mm)	NOTE		
			*		
*	*		*		
*	*		*		
*	*		*		



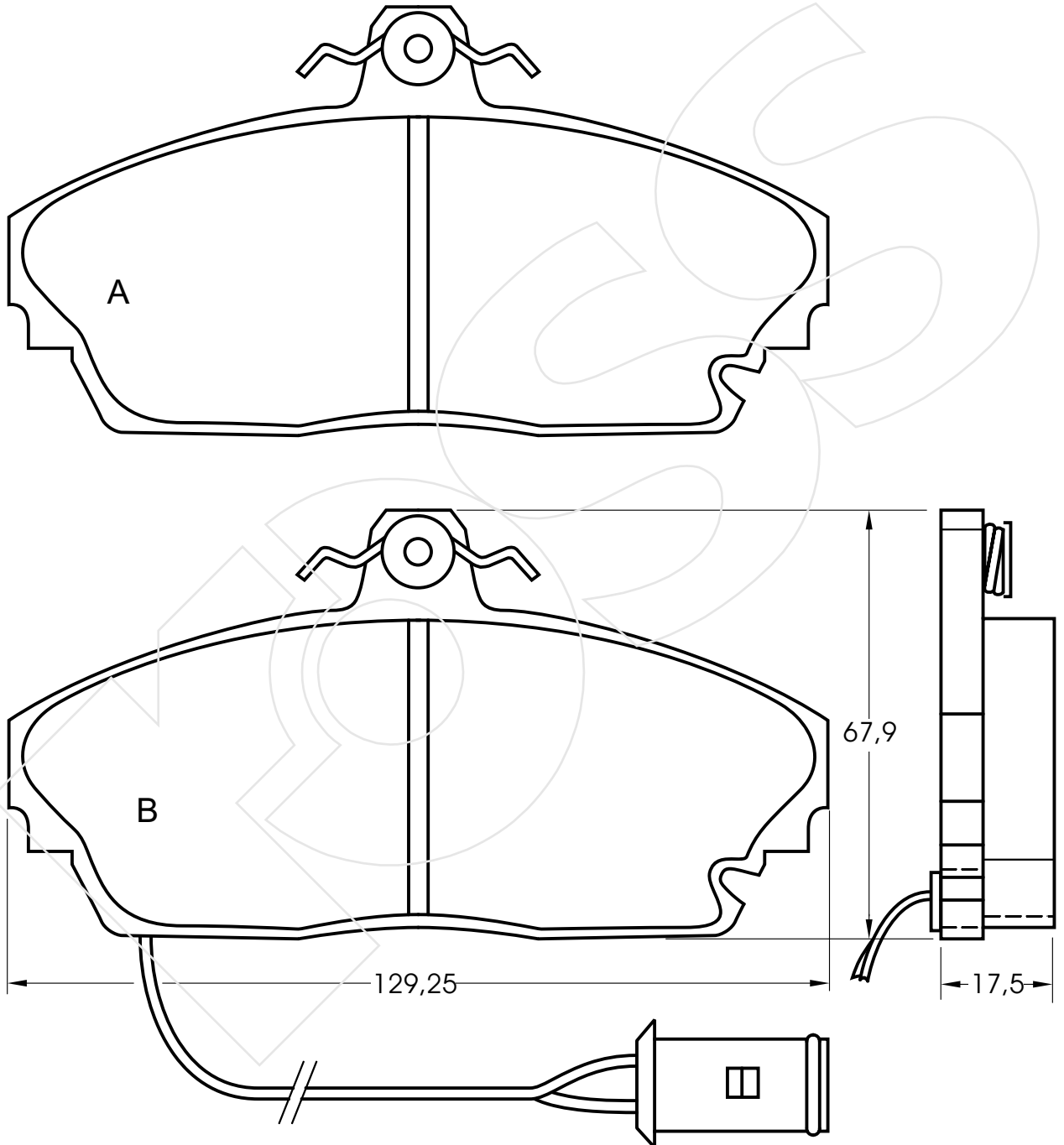
Reference in this Catalogue to other manufactures and to part numbers and other descriptions are for identification purposes only, because the above DISC BRAKE PADS are NOT ORIGINAL but with these interchangeable.

CODICE	IMPIANTO	ASSE	SCALA	APPLICAZIONI
<b>R-392</b>	AKEBONO	ANTERIORE	1:1	HONDA
CODICE COMPONENTI	N°	L(mm)	SERIE	
*	*	*	2 PEZZI TIPO A	
M0032	2	*	2 PEZZI TIPO B	
*	*	*		
*	*	*		
CODICE ACCESSORI	N°	L(mm)	NOTE	
*	*	*		
*	*	*		
*	*	*		
*	*	*		



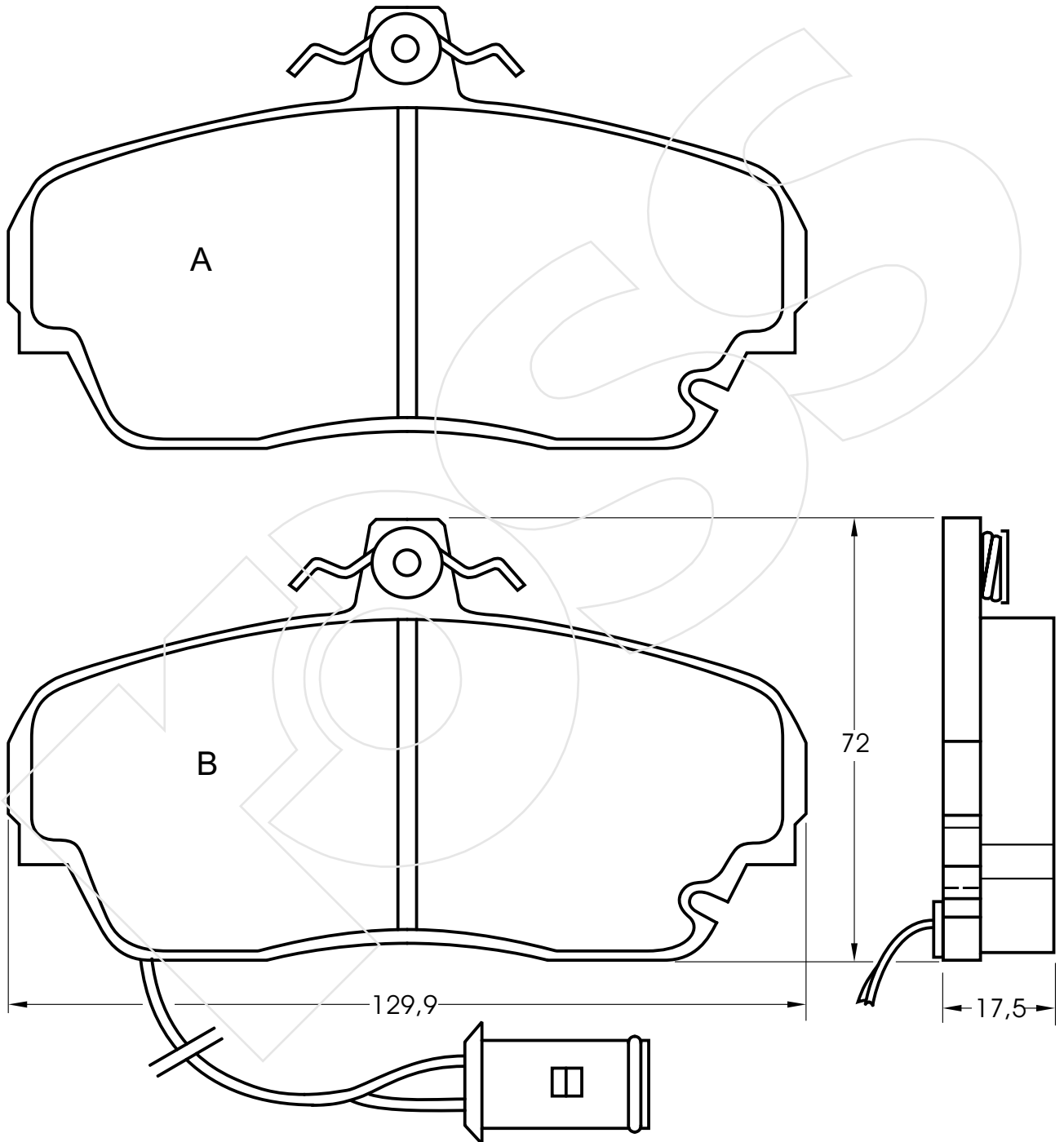
Reference in this Catalogue to other manufactures and to part numbers and other descriptions are for identification purposes only, because the above DISC BRAKE PADS are NOT ORIGINAL but with these interchangeable.

CODICE	IMPIANTO		ASSE	SCALA	APPLICAZIONI
<b>R-393</b>	GIRLING		ANTERIORE	1:1	HONDA ROVER
CODICE COMPONENTI	N°	L(mm)	SERIE		
M0030+P1012	3+3	*	3 PEZZI TIPO A		
M0030+P1012+F3024	1+1+1	225	1 PEZZI TIPO B		
*	*	*			
CODICE ACCESSORI	N°	L(mm)	NOTE		
*	*	*			
*	*	*			
*	*	*			
*	*	*			



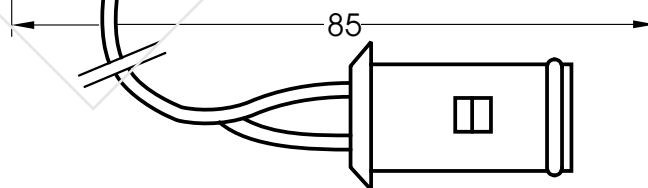
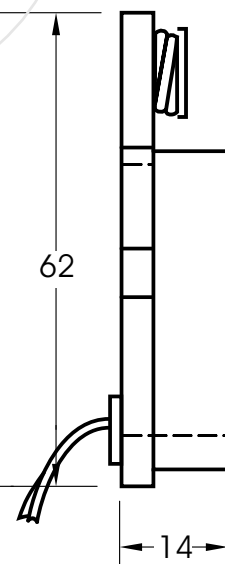
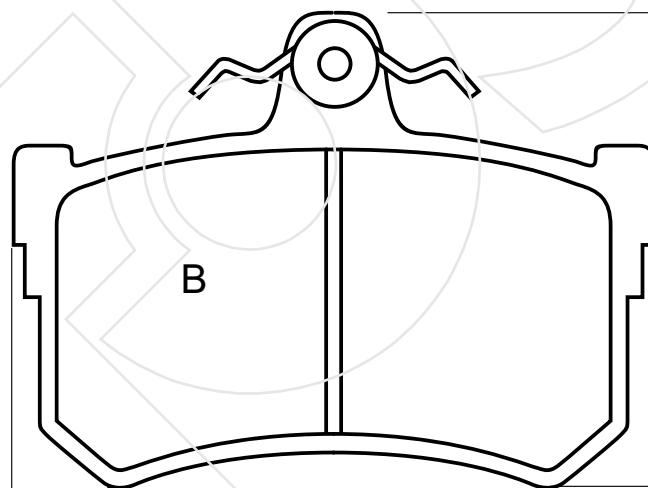
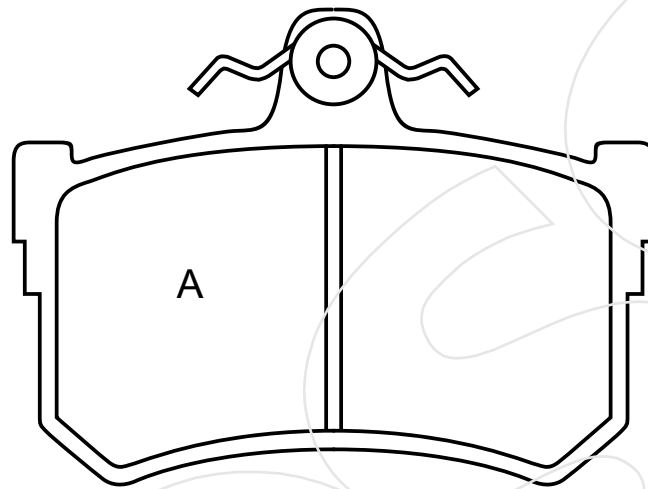
Reference in this Catalogue to other manufactures and to part numbers and other descriptions are for identification purposes only, because the above DISC BRAKE PADS are NOT ORIGINAL but with these interchangeable.

CODICE	IMPIANTO		ASSE	SCALA	APPLICAZIONI
<b>R-394</b>	GIRLING		ANTERIORE	1:1	HONDA ROVER
CODICE COMPONENTI	N°	L(mm)	SERIE		
M0030+P1012	3+3	*	3 PEZZI TIPO A		
M0030+P1012+F3024	1+1+1	225	1 PEZZI TIPO B		
*	*	*			
CODICE ACCESSORI	N°	L(mm)	NOTE		
*	*	*			
*	*	*			
*	*	*			
*	*	*			



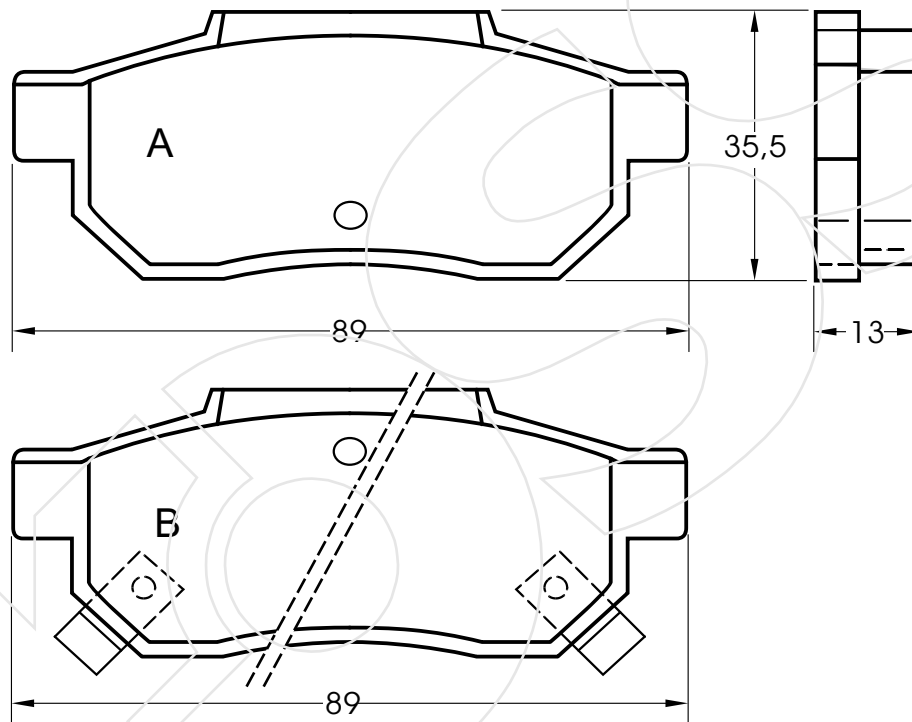
Reference in this Catalogue to other manufactures and to part numbers and other descriptions are for identification purposes only, because the above DISC BRAKE PADS are NOT ORIGINAL but with these interchangeable.

CODICE	IMPIANTO	ASSE	SCALA	APPLICAZIONI
<b>R-395</b>	AKEBONO	POSTERIORE	1:1	HONDA ROVER
CODICE COMPONENTI	N°	L(mm)	SERIE	
M0030+P1011	3+3	*	3 PEZZI TIPO A	
M0030+P1011+F3024	1+1+1	225	1 PEZZI TIPO B	
*	*	*		
*	*	*		
CODICE ACCESSORI	N°	L(mm)	NOTE	
*	*	*		
*	*	*		
*	*	*		
*	*	*		



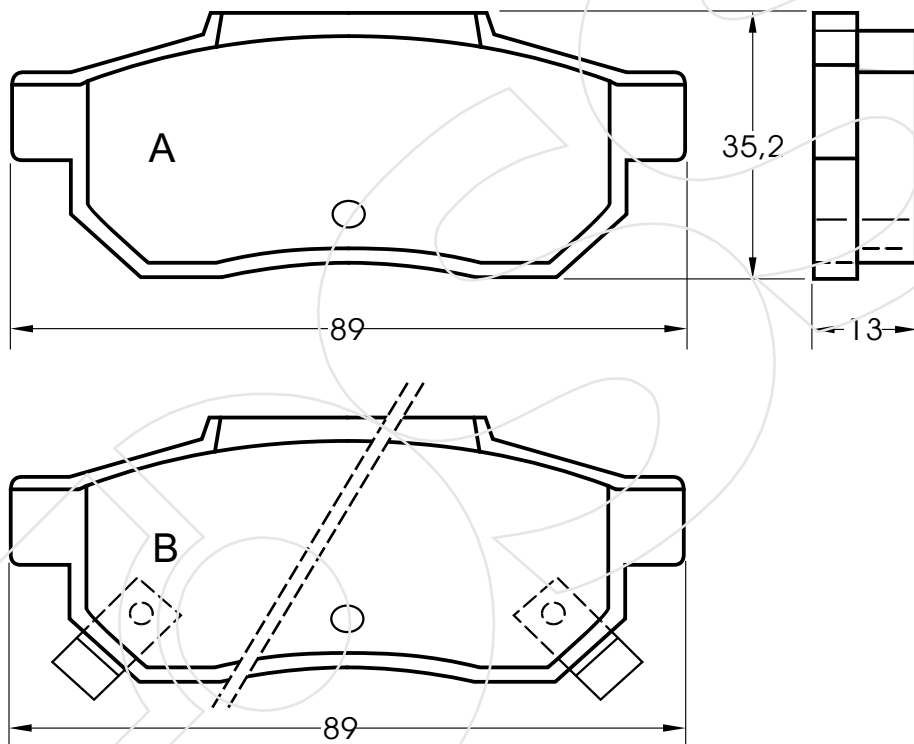
Reference in this Catalogue to other manufactures and to part numbers and other descriptions are for identification purposes only, because the above DISC BRAKE PADS are NOT ORIGINAL but with these interchangeable.

CODICE	IMPIANTO	ASSE	SCALA	APPLICAZIONI
<b>R-396</b>	AKEBONO	POSTERIORE	1:1	HONDA
CODICE COMPONENTI	N°	L(mm)	SERIE	
*	*	*	2 PEZZI TIPO A	
M0062	2	*	2 PEZZI TIPO B	
*	*	*		
*	*	*		
CODICE ACCESSORI	N°	L(mm)	NOTE	
*	*	*		
*	*	*		
*	*	*		
*	*	*		



Reference in this Catalogue to other manufactures and to part numbers and other descriptions are for identification purposes only, because the above DISC BRAKE PADS are NOT ORIGINAL but with these interchangeable.

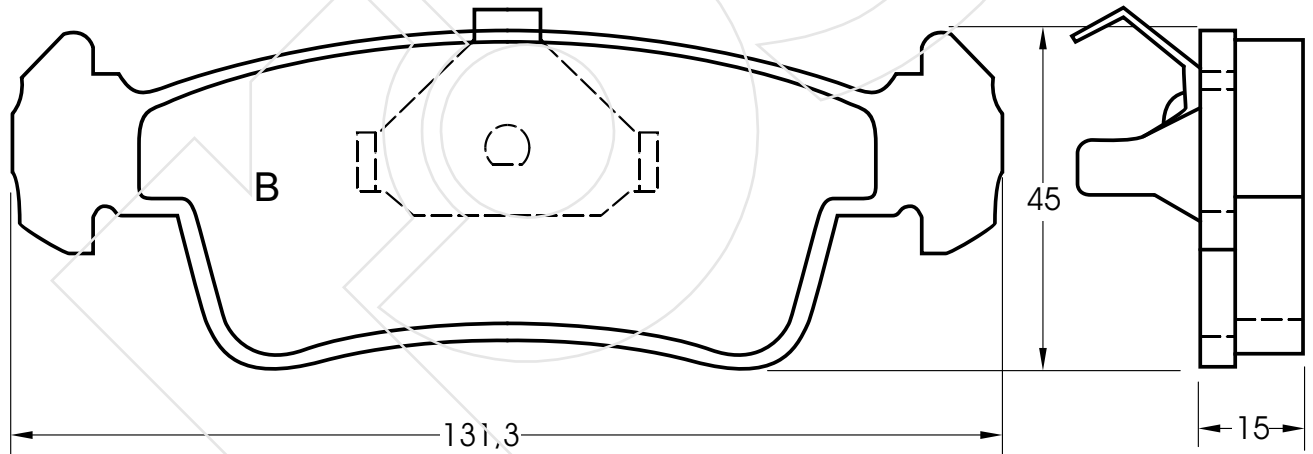
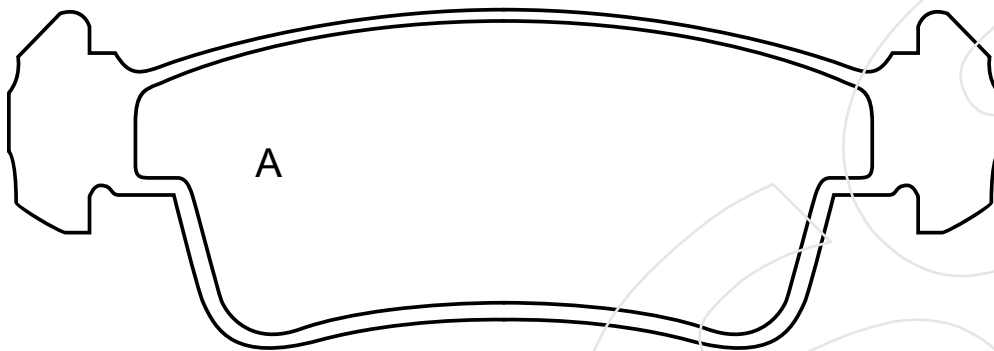
CODICE	IMPIANTO	ASSE	SCALA	APPLICAZIONI
<b>R-397</b>	AKEBONO	POSTERIORE	1:1	HONDA
CODICE COMPONENTI	N°	L(mm)	SERIE	
*	*	*	2 PEZZI TIPO A	
M0062	2	*	2 PEZZI TIPO B	
*	*	*		
*	*	*		
CODICE ACCESSORI	N°	L(mm)	NOTE	
*	*	*		
*	*	*		
*	*	*		
*	*	*		



Reference in this Catalogue to other manufactures and to part numbers and other descriptions are for identification purposes only, because the above DISC BRAKE PADS are NOT ORIGINAL but with these interchangeable.

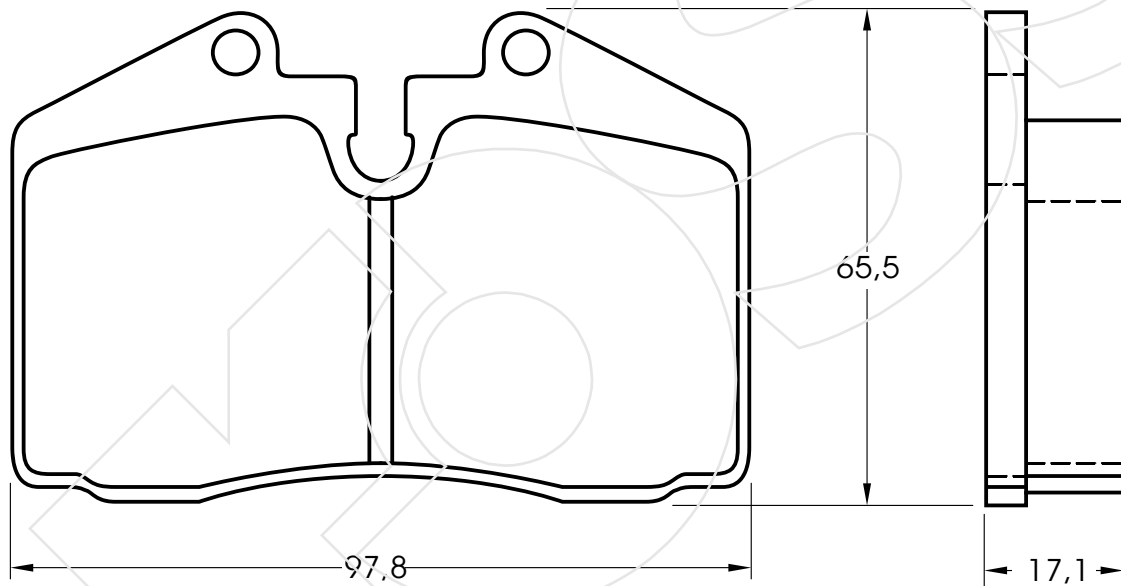


CODICE	IMPIANTO		ASSE	SCALA	APPLICAZIONI
<b>R-398</b>	AKEBONO		ANTERIORE	1:1	SUZUKI
CODICE COMPONENTI	N°	L(mm)	SERIE		
*	*	*	2 PEZZI TIPO A		
M0020	2	*	2 PEZZI TIPO B		
*	*	*			
*	*	*			
CODICE ACCESSORI	N°	L(mm)	NOTE		
*	*	*			
*	*	*			
*	*	*			
*	*	*			



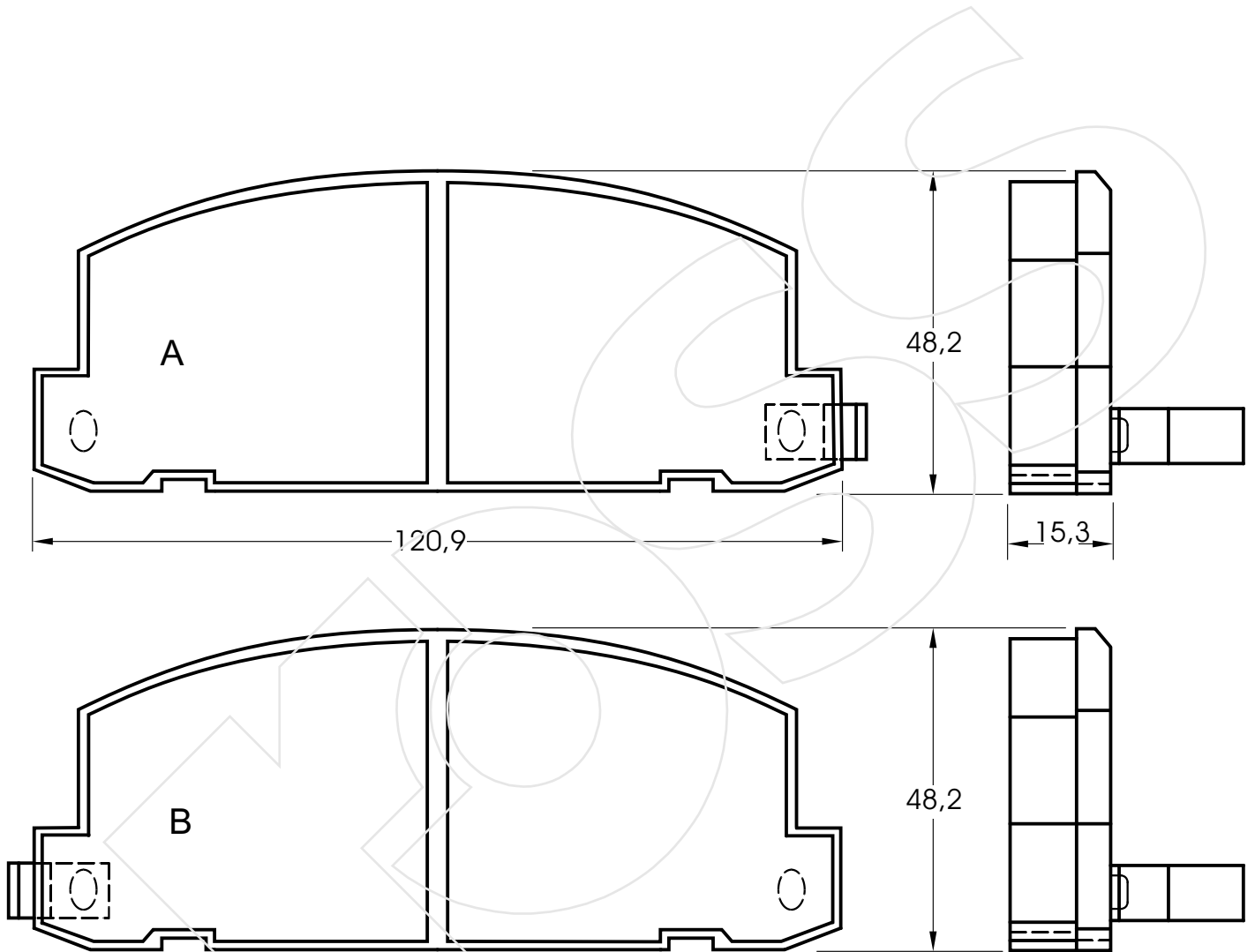
Reference in this Catalogue to other manufactures and to part numbers and other descriptions are for identification purposes only, because the above DISC BRAKE PADS are NOT ORIGINAL but with these interchangeable.

CODICE	IMPIANTO		ASSE	SCALA	APPLICAZIONI
<b>R-399</b>	ATE		ANTERIORE/POSTERIORE	1:1	FERRARI PORSCHE
CODICE COMPONENTI	N°	L(mm)	SERIE		
*	*	*	4 PEZZI		
*	*	*			
*	*	*			
*	*	*			
CODICE ACCESSORI	N°	L(mm)	NOTE		
			*		
*	*		*		
*	*		*		
*	*		*		



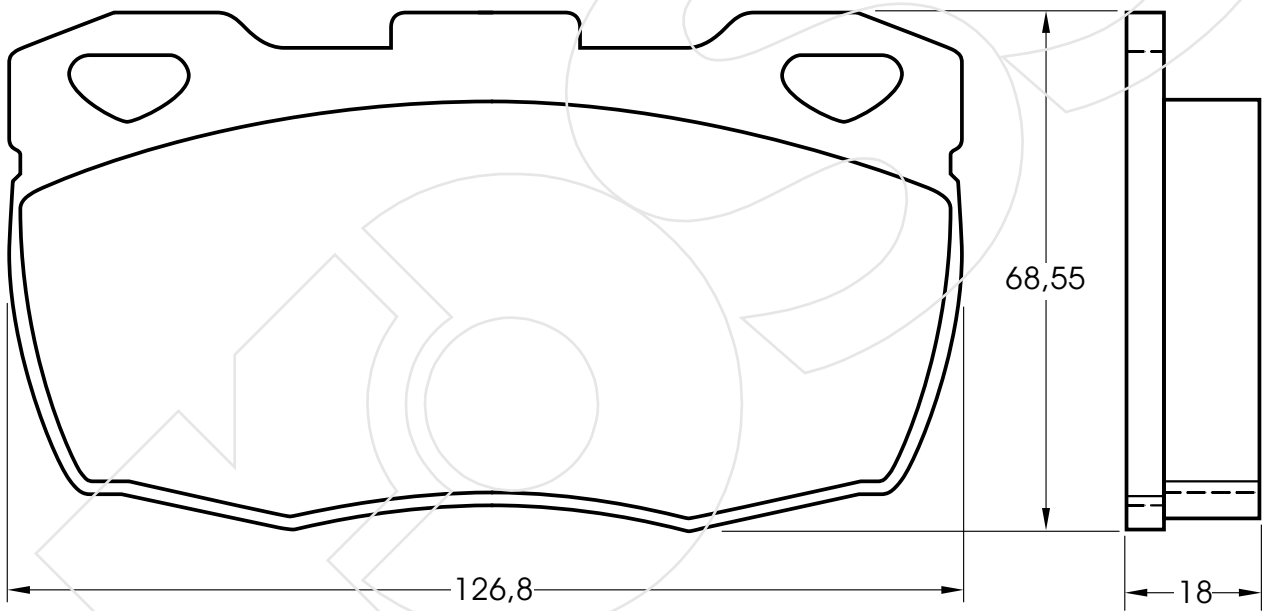
Reference in this Catalogue to other manufactures and to part numbers and other descriptions are for identification purposes only, because the above DISC BRAKE PADS are NOT ORIGINAL but with these interchangeable.

CODICE	IMPIANTO	ASSE	SCALA	APPLICAZIONI
<b>R-400</b>	AKEBONO	ANTERIORE	1:1	ISUZU VAUXHALL
CODICE COMPONENTI	N°	L(mm)	SERIE	
M0054	2	*	2 PEZZI TIPO A	
M0054	2	*	2 PEZZI TIPO B	
*	*	*		
*	*	*		
CODICE ACCESSORI	N°	L(mm)	NOTE	
*	*	*		
*	*	*		
*	*	*		
*	*	*		



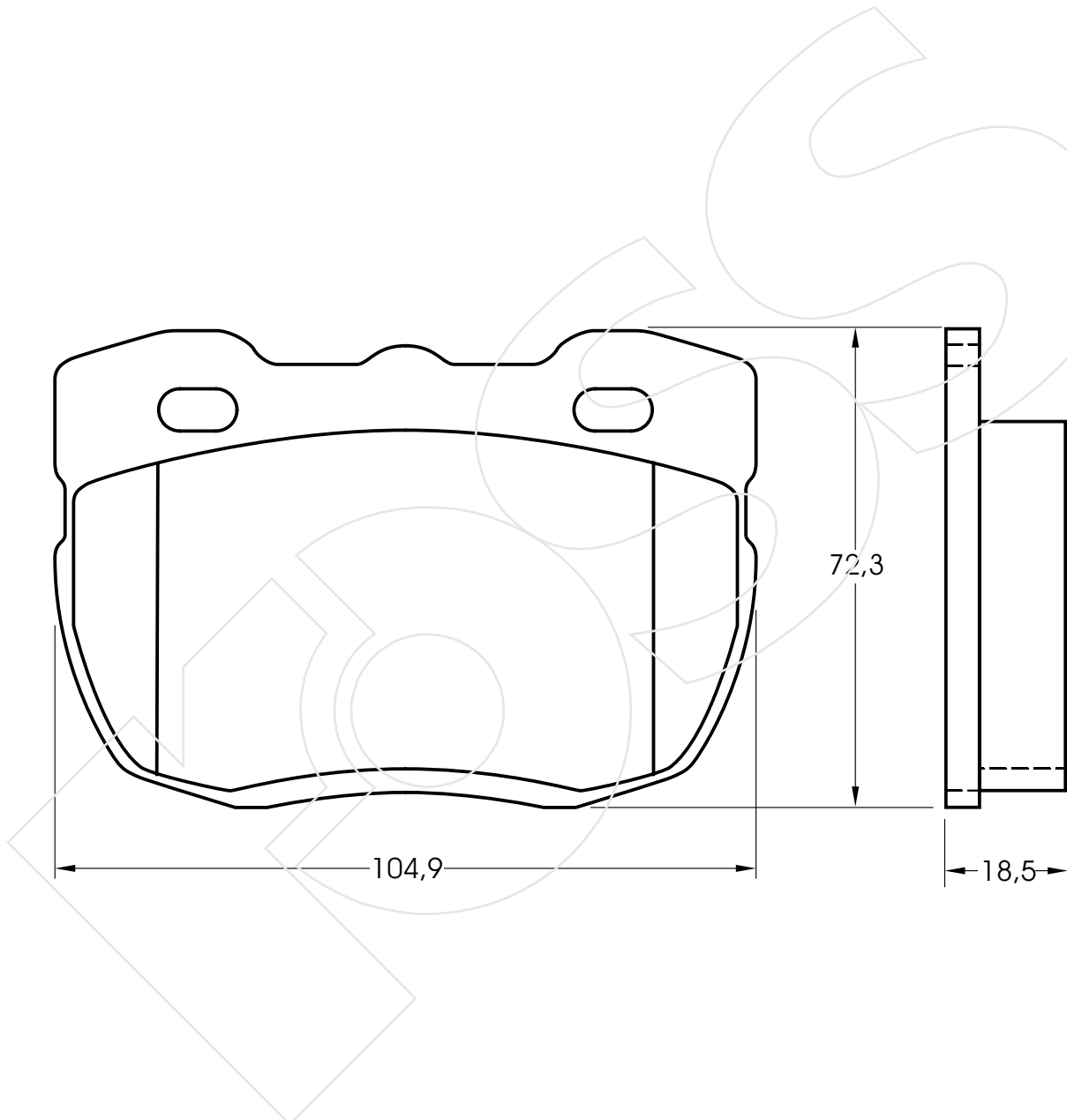
Reference in this Catalogue to other manufactures and to part numbers and other descriptions are for identification purposes only, because the above DISC BRAKE PADS are NOT ORIGINAL but with these interchangeable.

CODICE	IMPIANTO	ASSE	SCALA	APPLICAZIONI
<b>R-401</b>	LOCKEED	ANTERIORE	1:1	ROVER
CODICE COMPONENTI	N°	L(mm)	SERIE	
*	*	*	4 PEZZI	
*	*	*		
*	*	*		
*	*	*		
CODICE ACCESSORI	N°	L(mm)	NOTE	
			*	
*	*	*	*	
*	*	*	*	
*	*	*	*	



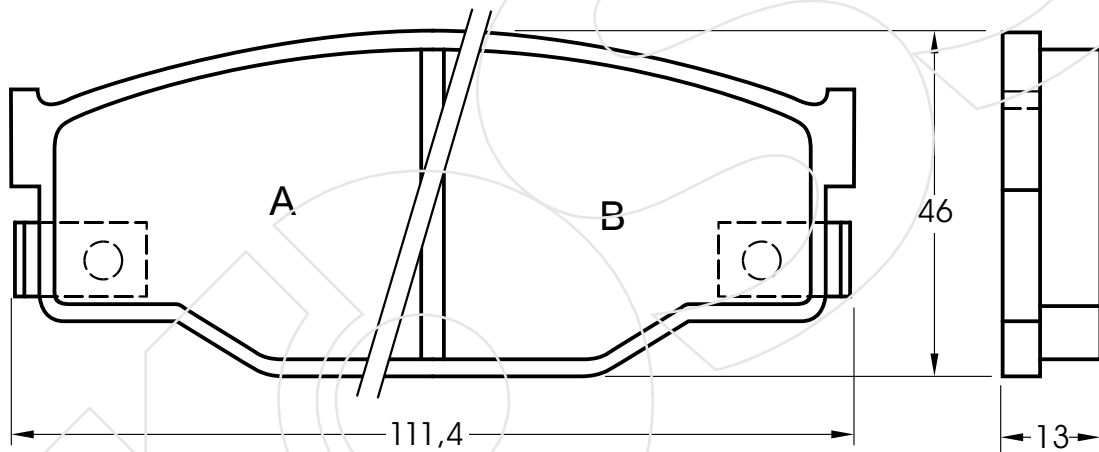
Reference in this Catalogue to other manufactures and to part numbers and other descriptions are for identification purposes only, because the above DISC BRAKE PADS are NOT ORIGINAL but with these interchangeable.

CODICE	IMPIANTO	ASSE	SCALA	APPLICAZIONI
<b>R-402</b>	LOCKEED	ANTERIORE	1:1	ROVER
CODICE COMPONENTI	N°	L(mm)	SERIE	
*	*	*	4 PEZZI	
*	*	*		
*	*	*		
*	*	*		
CODICE ACCESSORI	N°	L(mm)	NOTE	
			*	
*	*	*	*	
*	*	*	*	
*	*	*	*	



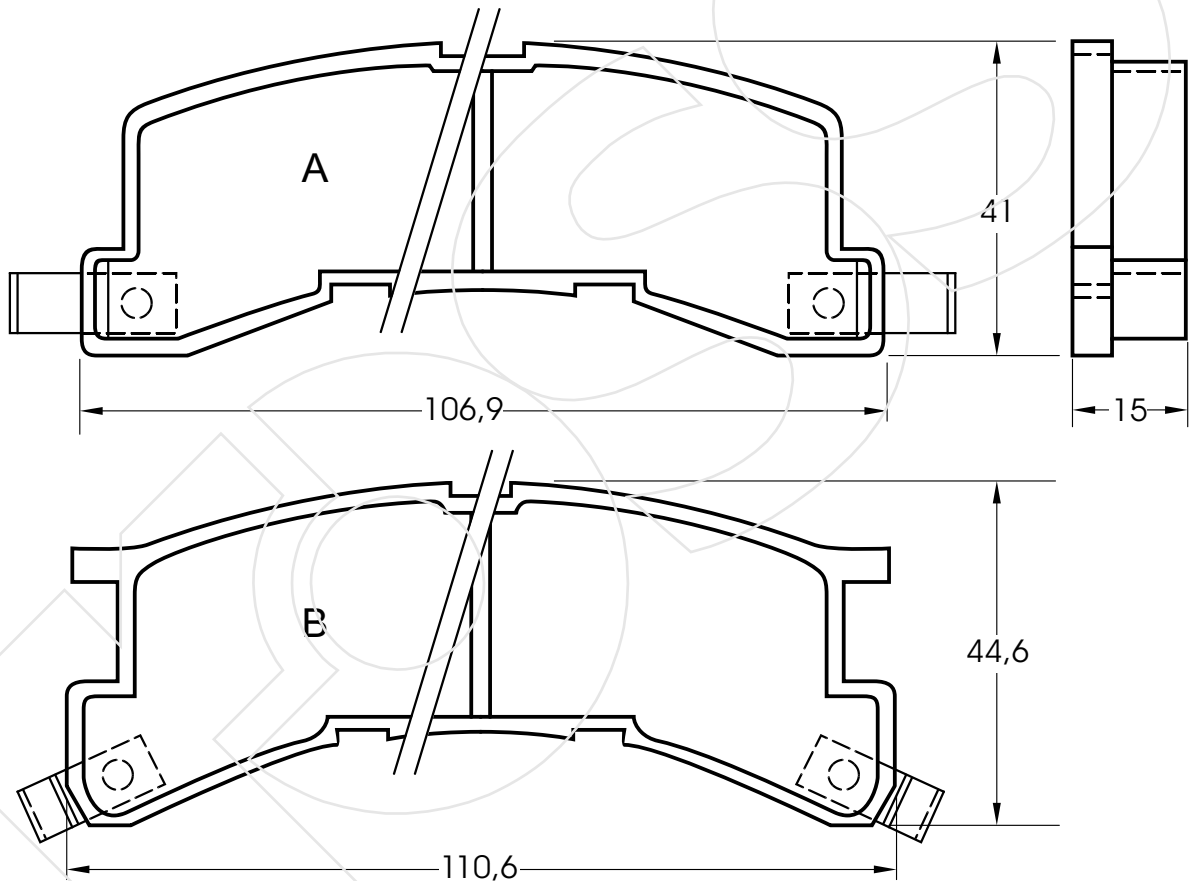
Reference in this Catalogue to other manufactures and to part numbers and other descriptions are for identification purposes only, because the above DISC BRAKE PADS are NOT ORIGINAL but with these interchangeable.

CODICE	IMPIANTO	ASSE	SCALA	APPLICAZIONI
<b>R-403</b>	AKEBONO	ANTERIORE	1:1	ISUZU
CODICE COMPONENTI	N°	L(mm)	SERIE	
M0063	2	*	2 PEZZI TIPO A	
M0063	2	*	2 PEZZI TIPO B	
*	*	*		
*	*	*		
CODICE ACCESSORI	N°	L(mm)	NOTE	
*	*	*		
*	*	*		
*	*	*		
*	*	*		



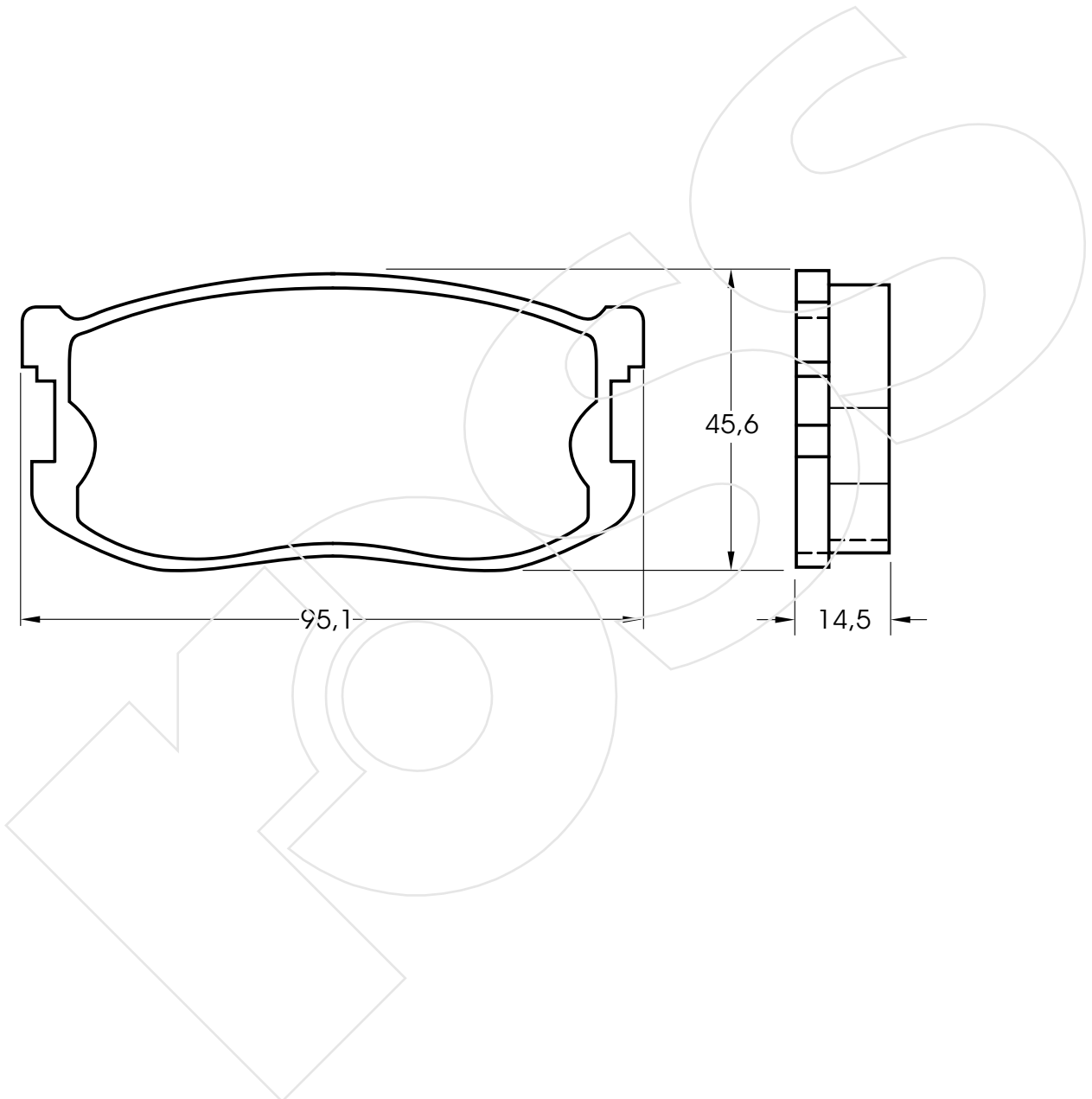
Reference in this Catalogue to other manufactures and to part numbers and other descriptions are for identification purposes only, because the above DISC BRAKE PADS are NOT ORIGINAL but with these interchangeable.

CODICE	IMPIANTO	ASSE	SCALA	APPLICAZIONI
<b>R-404</b>	AKEBONO	POSTERIORE	1:1	ISUZU
CODICE COMPONENTI	N°	L(mm)	SERIE	
M0064	2	*	2 PEZZI TIPO A	
M0065	2	*	2 PEZZI TIPO B	
*	*	*		
*	*	*		
CODICE ACCESSORI	N°	L(mm)	NOTE	
*	*	*		
*	*	*		
*	*	*		
*	*	*		



Reference in this Catalogue to other manufactures and to part numbers and other descriptions are for identification purposes only, because the above DISC BRAKE PADS are NOT ORIGINAL but with these interchangeable.

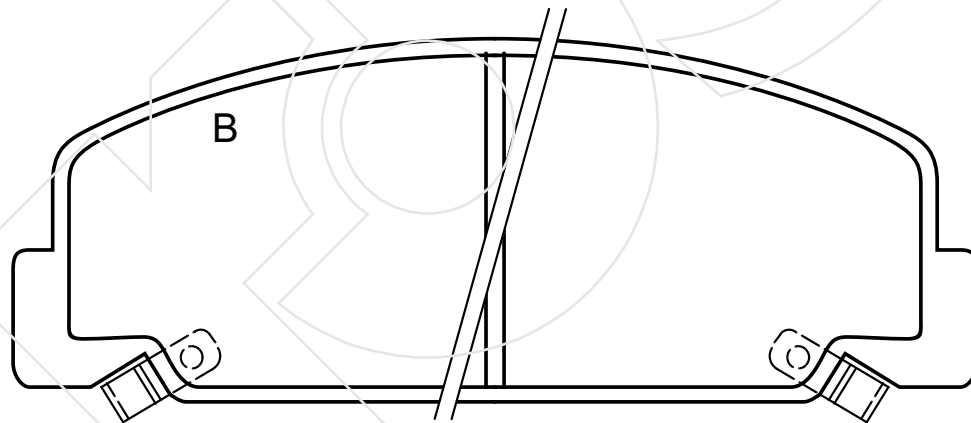
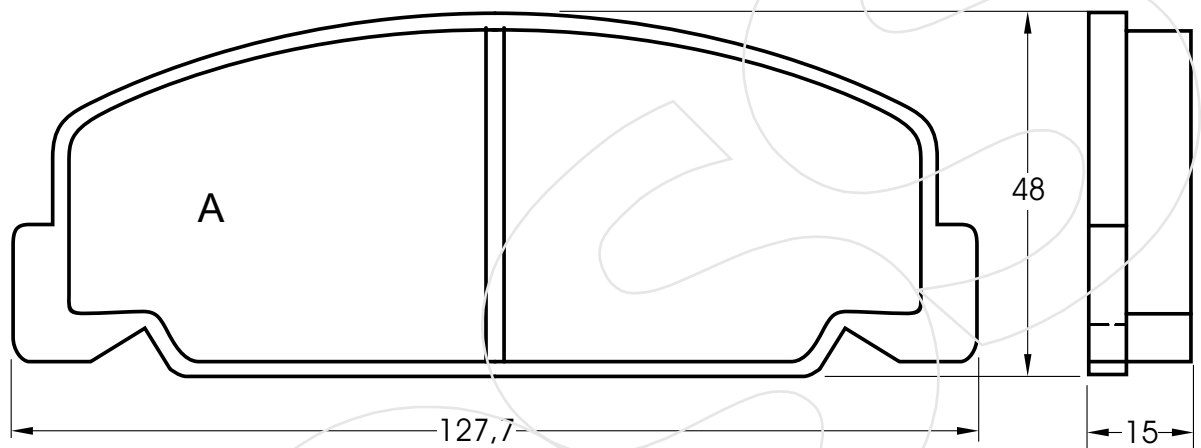
CODICE	IMPIANTO	ASSE	SCALA	APPLICAZIONI
<b>R-405</b>	AKEBONO	ANTERIORE	1:1	ISUZU
CODICE COMPONENTI	N°	L(mm)	SERIE	
*	*	*	4 PEZZI	
*	*	*		
*	*	*		
*	*	*		
CODICE ACCESSORI	N°	L(mm)	NOTE	
			*	
*	*	*	*	
*	*	*	*	
*	*	*	*	



Reference in this Catalogue to other manufactures and to part numbers and other descriptions are for identification purposes only, because the above DISC BRAKE PADS are NOT ORIGINAL but with these interchangeable.

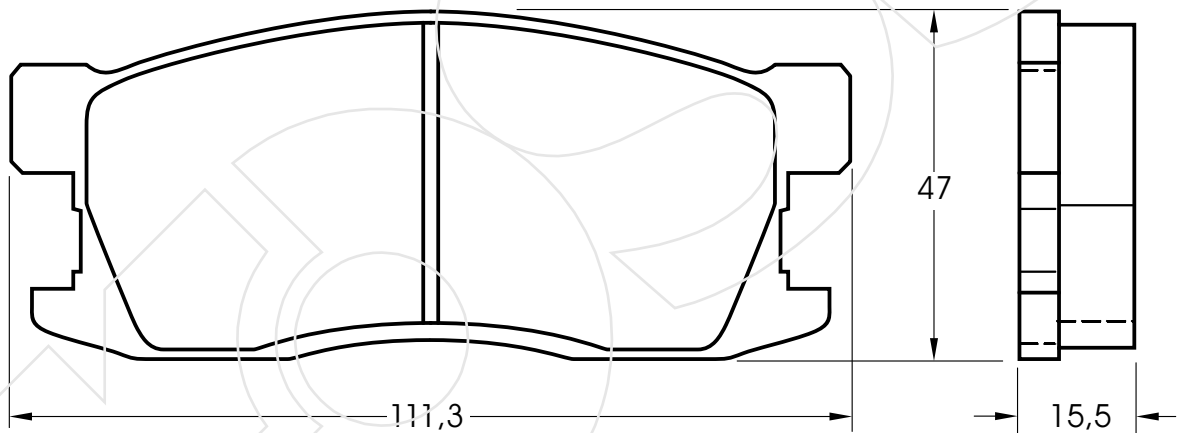


CODICE	IMPIANTO	ASSE	SCALA	APPLICAZIONI
<b>R-406</b>	AKEBONO	ANTERIORE	1:1	HONDA
CODICE COMPONENTI	N°	L(mm)	SERIE	
*	*	*	2 PEZZI TIPO A	
M0043	2	*	2 PEZZI TIPO B	
*	*	*		
*	*	*		
CODICE ACCESSORI	N°	L(mm)	NOTE	
*	*	*		
*	*	*		
*	*	*		
*	*	*		



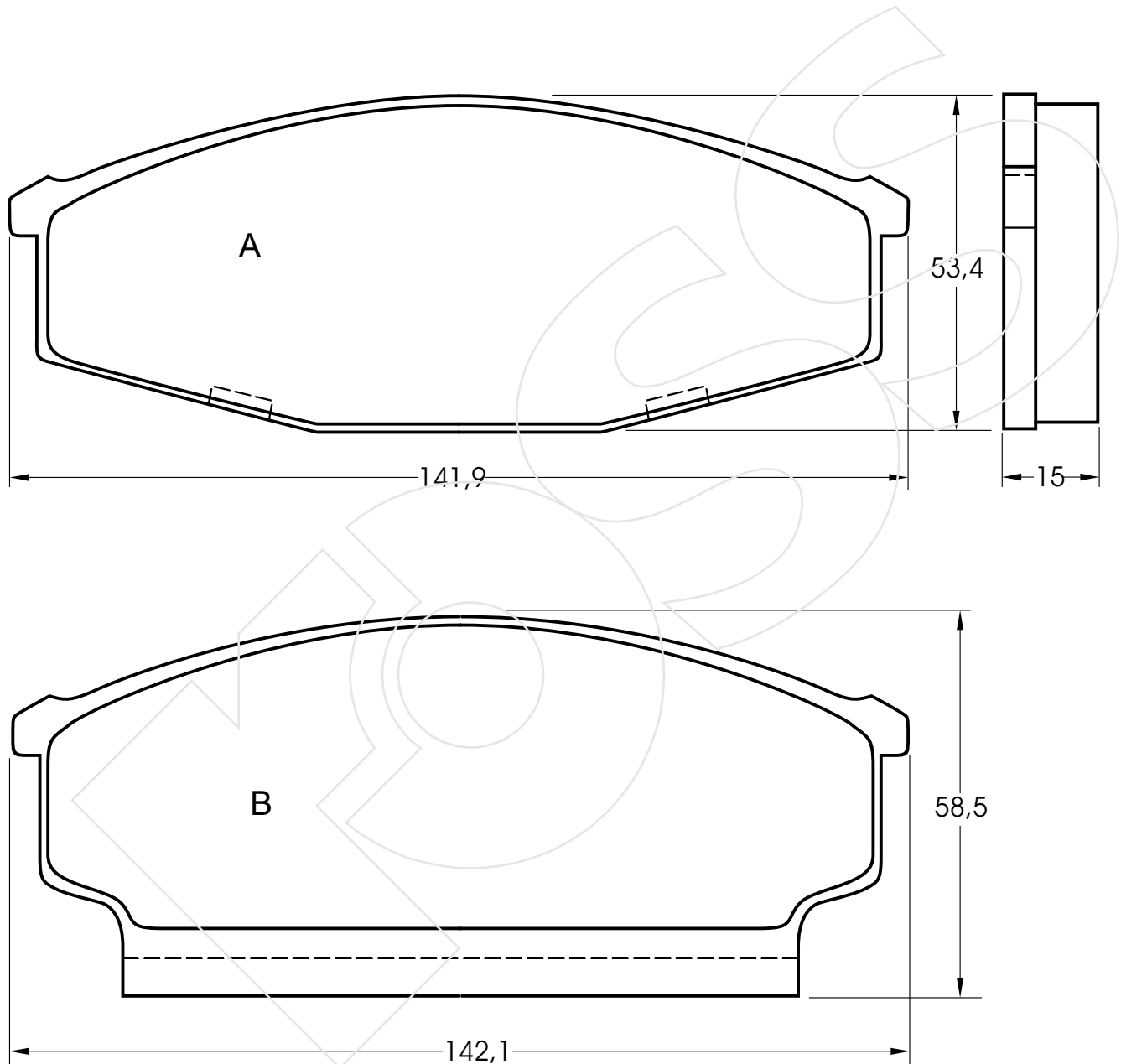
Reference in this Catalogue to other manufactures and to part numbers and other descriptions are for identification purposes only, because the above DISC BRAKE PADS are NOT ORIGINAL but with these interchangeable.

CODICE	IMPIANTO		ASSE	SCALA	APPLICAZIONI
<b>R-407</b>	AKEBONO		ANTERIORE	1:1	HONDA
CODICE COMPONENTI	N°	L(mm)	SERIE		
*	*	*	4 PEZZI		
*	*	*			
*	*	*			
*	*	*			
CODICE ACCESSORI	N°	L(mm)	NOTE		
M0023	8		*		
*	*		*		
*	*		*		
*	*		*		



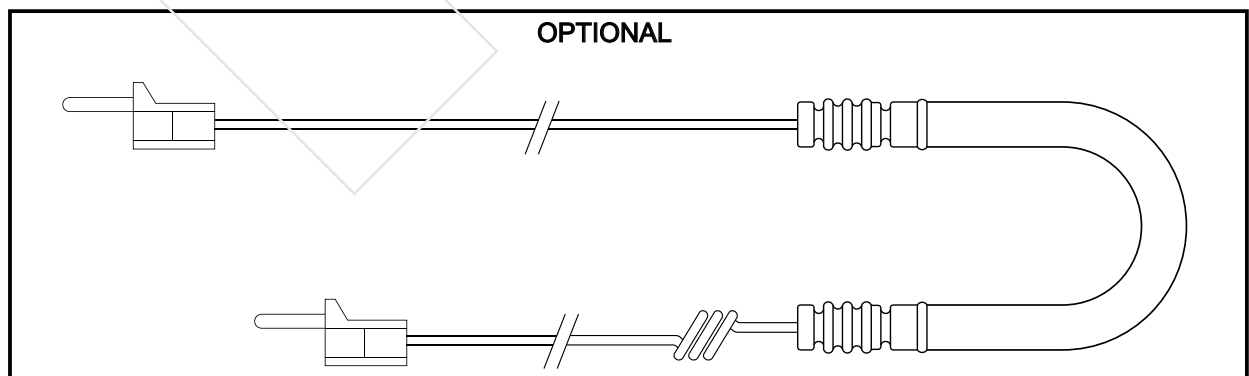
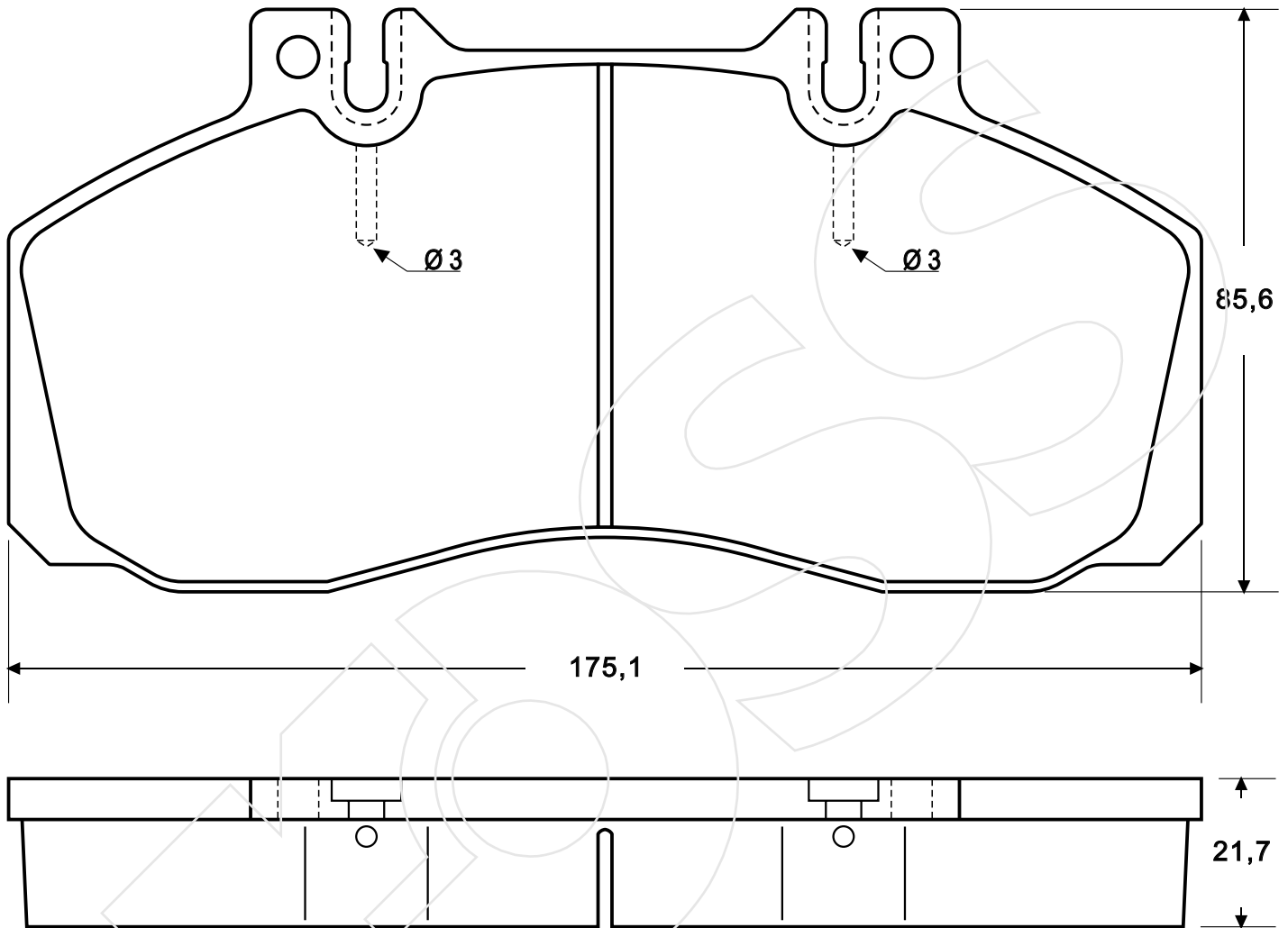
Reference in this Catalogue to other manufactures and to part numbers and other descriptions are for identification purposes only, because the above DISC BRAKE PADS are NOT ORIGINAL but with these interchangeable.

CODICE	IMPIANTO	ASSE	SCALA	APPLICAZIONI
<b>R-408</b>	AKEBONO	ANTERIORE	1:1	NISSAN-DATSUN
CODICE COMPONENTI	N°	L(mm)	SERIE	
*	*	*	2 PEZZI TIPO A	
*	*	*	2 PEZZI TIPO B	
*	*	*		
*	*	*		
CODICE ACCESSORI	N°	L(mm)	NOTE	
*	*	*		
*	*	*		
*	*	*		
*	*	*		



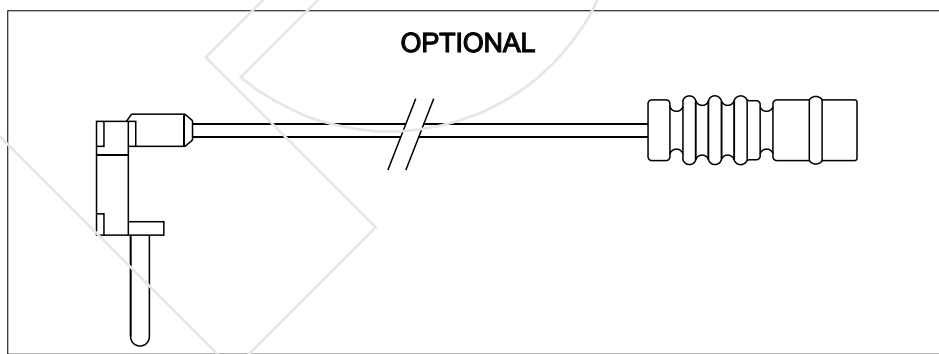
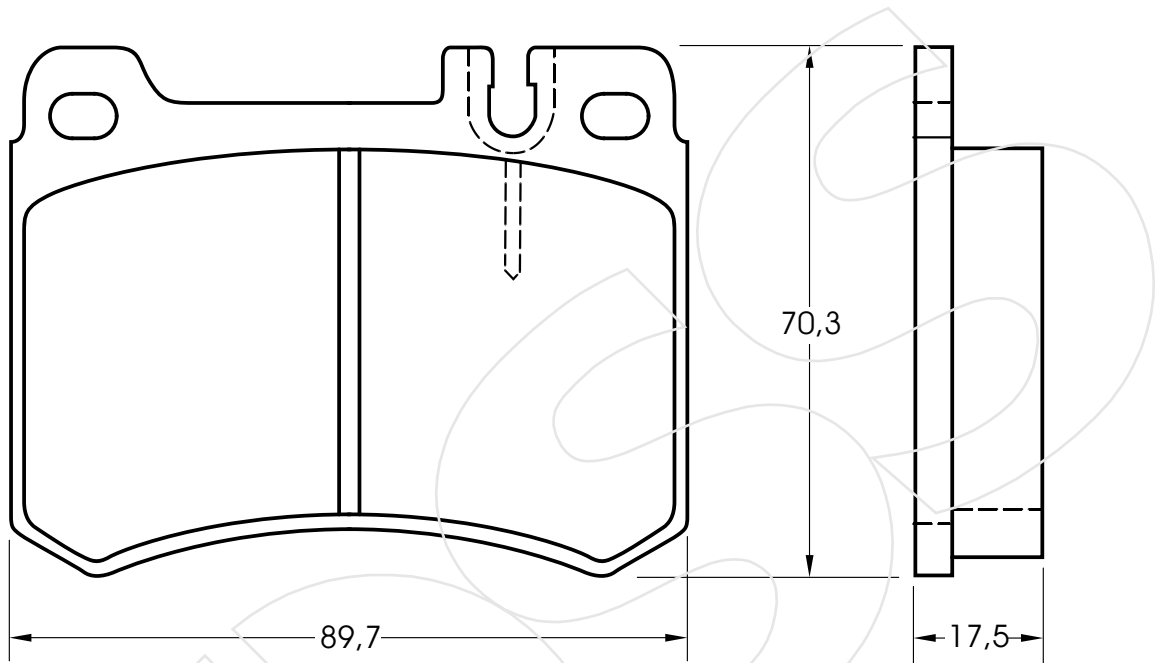
Reference in this Catalogue to other manufactures and to part numbers and other descriptions are for identification purposes only, because the above DISC BRAKE PADS are NOT ORIGINAL but with these interchangeable.

CODICE	IMPIANTO		ASSE	SCALA	APPLICAZIONI
<b>R-409</b>	GIRLING		ANTERIORE	1:1	MERCEDES
CODICE COMPONENTI	N°	L(mm)	SERIE		
*	*	*	4 PEZZI		
*	*	*			
*	*	*			
*	*	*			
OPTIONAL	N°	L(mm)	NOTE		
F3085	1	500			
*	*	*			
*	*	*			
*	*	*			



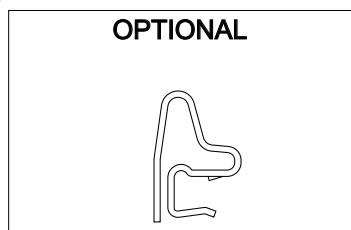
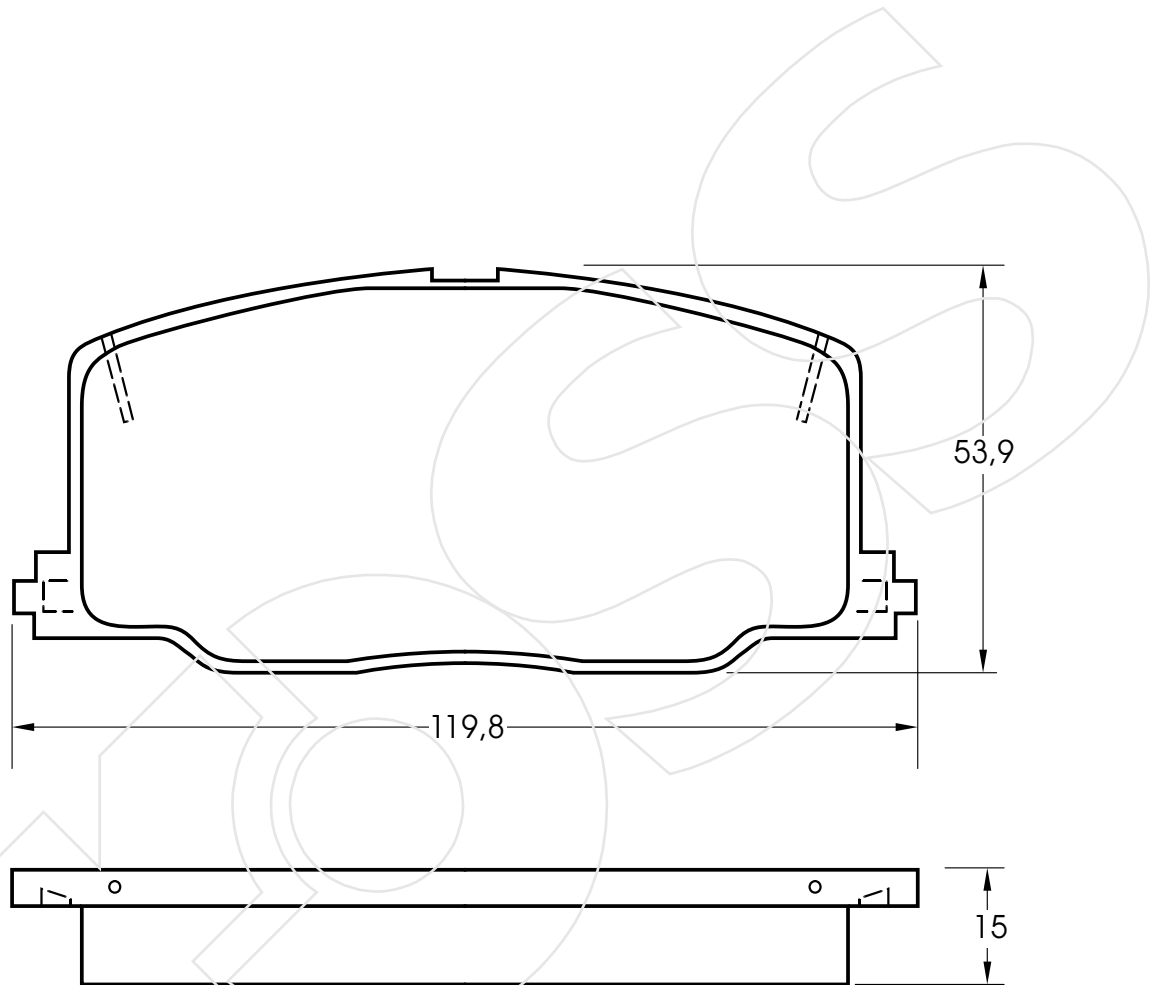
Reference in this Catalogue to other manufactures and to part numbers and other descriptions are for identification purposes only, because the above DISC BRAKE PADS are NOT ORIGINAL but with these interchangeable.

CODICE	IMPIANTO		ASSE	SCALA	APPLICAZIONI
<b>R-410</b>	ATE		ANTERIORE	1:1	MERCEDES
CODICE COMPONENTI	N°	L(mm)	SERIE		
*	*	*	4 PEZZI		
*	*	*			
*	*	*			
*	*	*			
OPTIONAL	N°	L(mm)	NOTE		
F3082	2	130	*		
*	*	*	*		
*	*	*	*		
*	*	*	*		



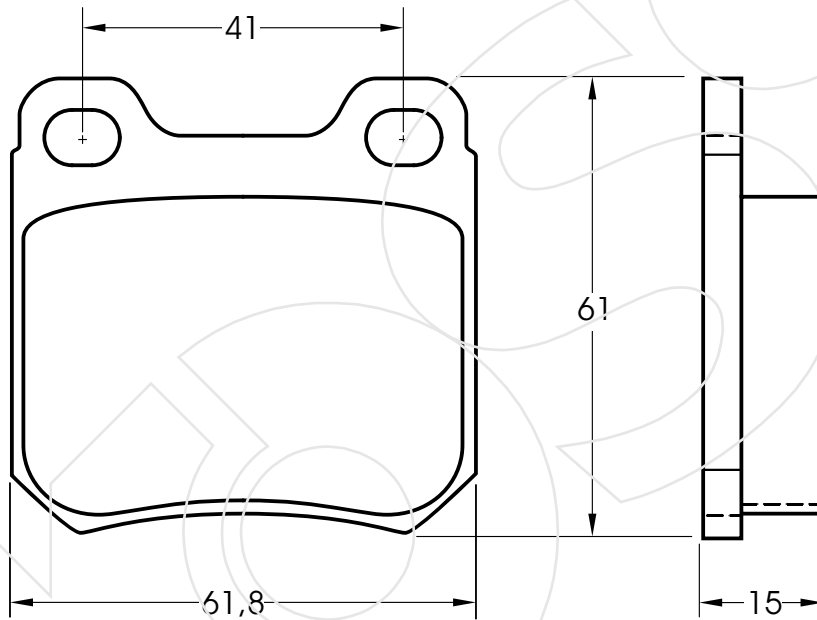
Reference in this Catalogue to other manufactures and to part numbers and other descriptions are for identification purposes only, because the above DISC BRAKE PADS are NOT ORIGINAL but with these interchangeable.

CODICE	IMPIANTO		ASSE	SCALA	APPLICAZIONI
<b>R-411</b>	SUMITOMO		ANTERIORE	1:1	TOYOTA
CODICE COMPONENTI	N°	L(mm)	SERIE		
*	*	*	4 PEZZI		
*	*	*			
*	*	*			
*	*	*			
OPTIONAL	N°	L(mm)	NOTE		
M0023	8		*		
*	*		*		
*	*		*		
*	*		*		



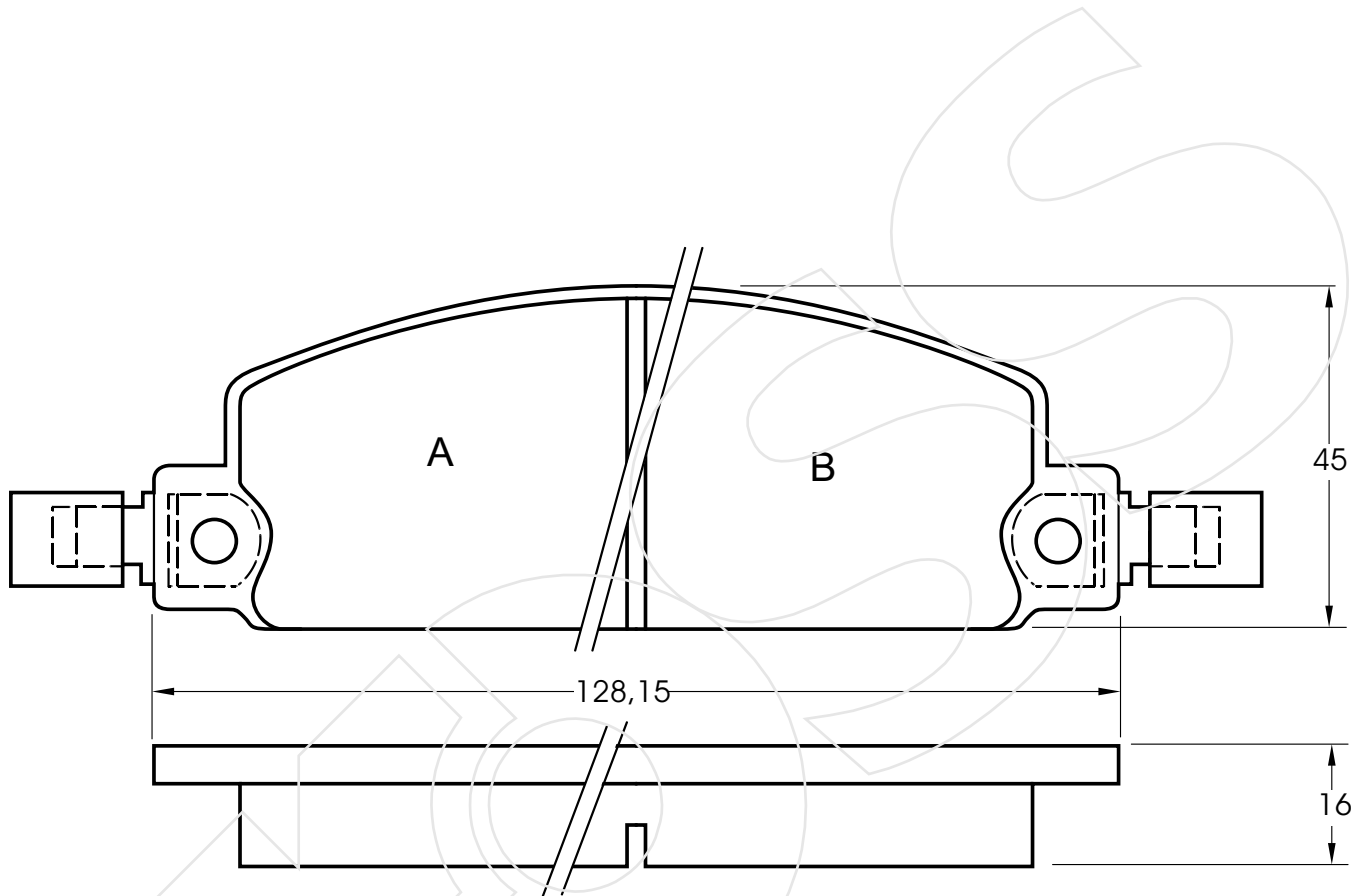
Reference in this Catalogue to other manufactures and to part numbers and other descriptions are for identification purposes only, because the above DISC BRAKE PADS are NOT ORIGINAL but with these interchangeable.

CODICE	IMPIANTO		ASSE	SCALA	APPLICAZIONI
<b>R-412</b>	DELCO		POSTERIORE	1:1	OPEL VAUXHALL
CODICE COMPONENTI	N°	L(mm)	SERIE		
*	*	*	4 PEZZI		
*	*	*			
*	*	*			
*	*	*			
CODICE ACCESSORI	N°	L(mm)	NOTE		
*	*	*			
*	*	*			
*	*	*			
*	*	*			



Reference in this Catalogue to other manufactures and to part numbers and other descriptions are for identification purposes only, because the above DISC BRAKE PADS are NOT ORIGINAL but with these interchangeable.

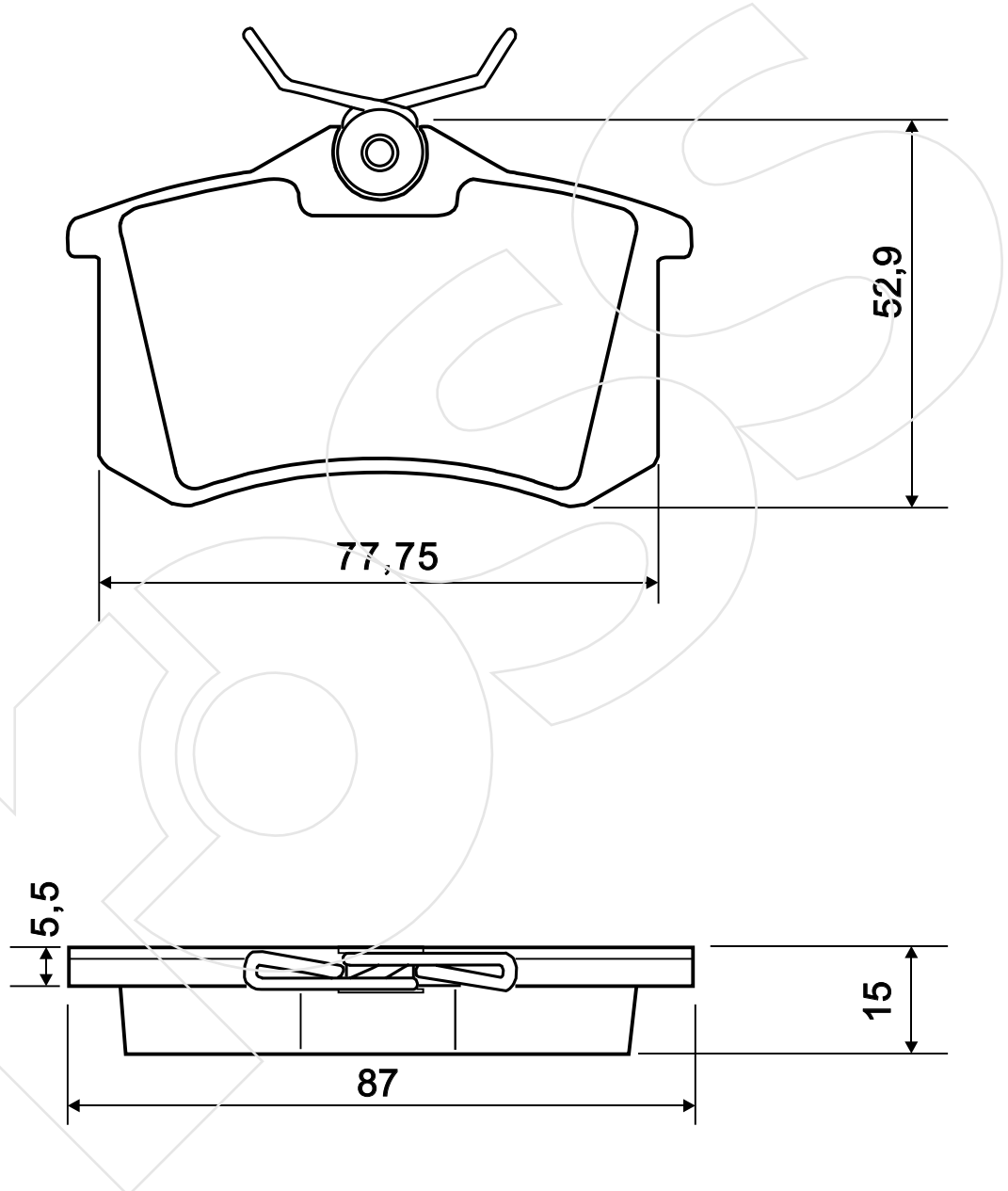
CODICE	IMPIANTO		ASSE	SCALA	APPLICAZIONI
<b>R-413</b>	AKEBONO		ANTERIORE	1:1	ISUZU VAUXHALL
CODICE COMPONENTI	N°	L(mm)	SERIE		
M0067	2	*	2 PEZZI TIPO A		
M0067	2	*	2 PEZZI TIPO B		
*	*	*			
*	*	*			
CODICE ACCESSORI	N°	L(mm)	NOTE		
*	*		*		
*	*		*		
*	*		*		
*	*		*		



Reference in this Catalogue to other manufactures and to part numbers and other descriptions are for identification purposes only, because the above DISC BRAKE PADS are NOT ORIGINAL but with these interchangeable.

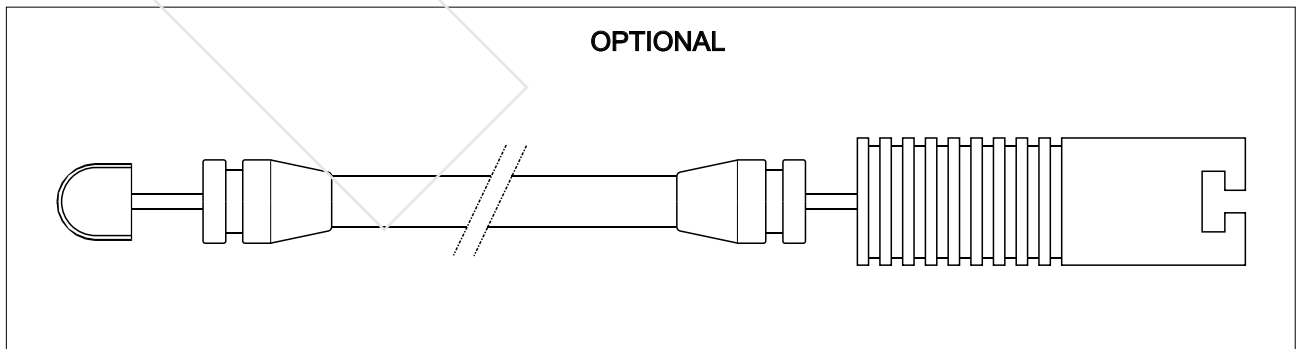
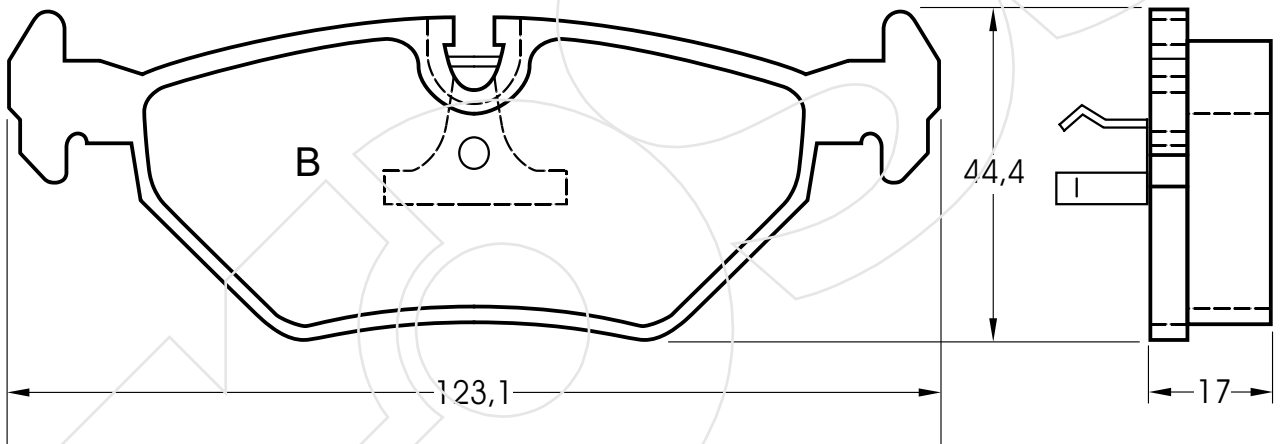
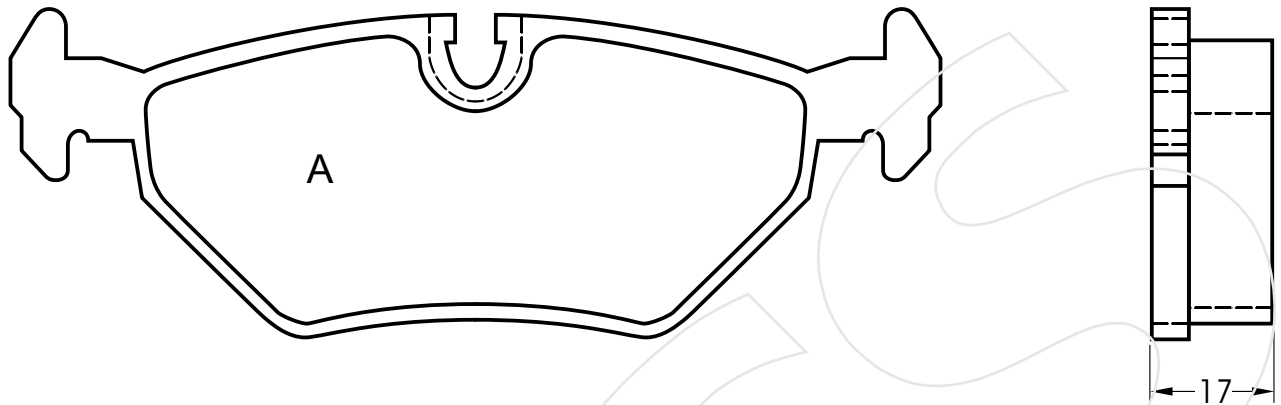


CODICE	IMPIANTO		ASSE	SCALA	APPLICAZIONI
<b>R-414</b>	GIRLING		POSTERIORE	1:1	PEUGEOT SEAT VOLKSWAGEN
CODICE COMPONENTI	N°	L(mm)	SERIE		
M0015+P1004	4+4	*	4 PEZZI		
*	*				
CODICE ACCESSORI	N°	L(mm)	NOTE		
*	*		*		
*	*		*		
*	*		*		
*	*		*		



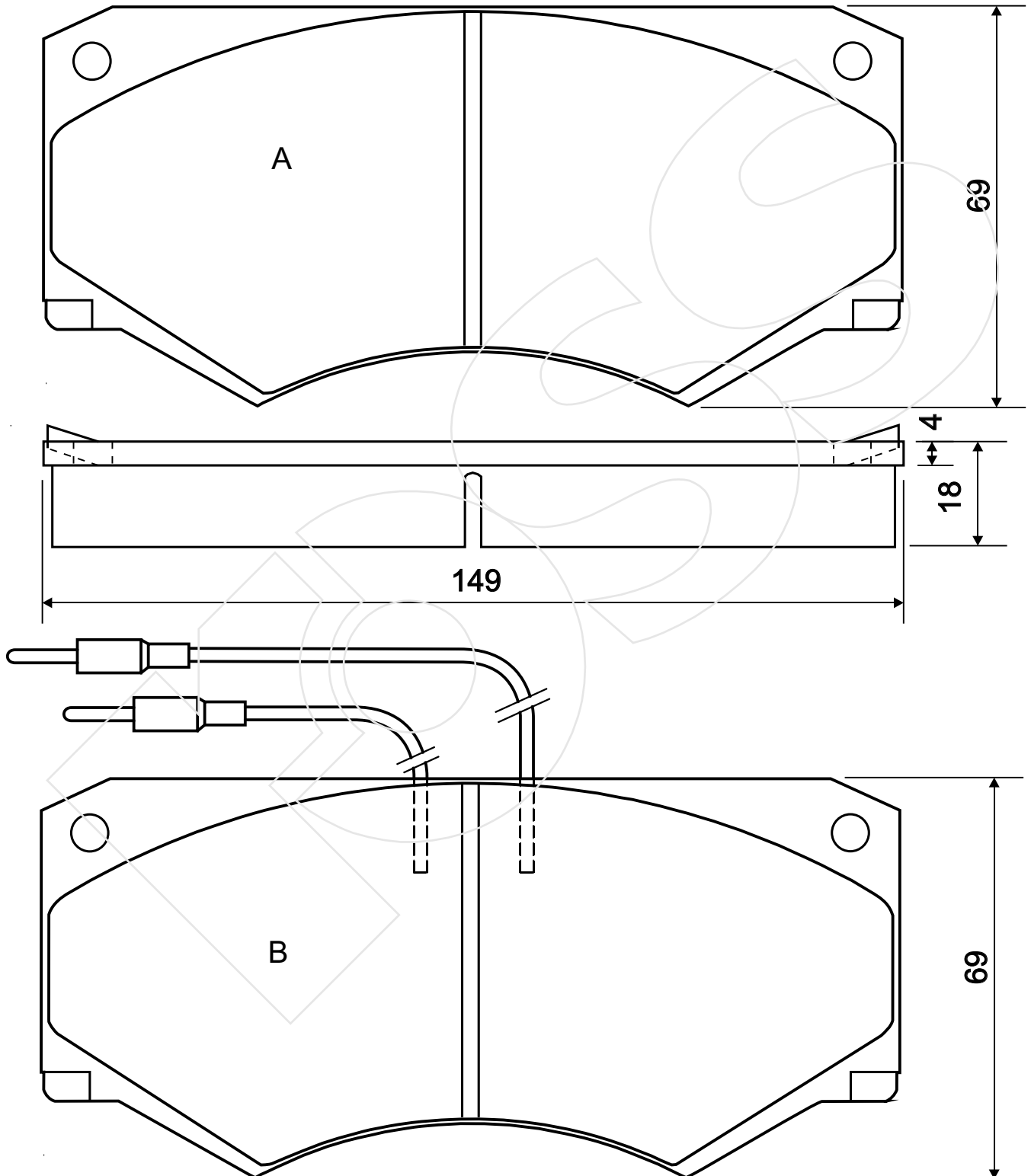
Reference in this Catalogue to other manufactures and to part numbers and other descriptions are for identification purposes only, because the above DISC BRAKE PADS are NOT ORIGINAL but with these interchangeable.

CODICE	IMPIANTO		ASSE	SCALA	APPLICAZIONI
<b>R-415</b>	ATE		POSTERIORE	1:1	BMW
CODICE COMPONENTI	N°	L(mm)	SERIE		
*	*	*	2 PEZZI TIPO A		
M0068+P1002	2+2	*	2 PEZZI TIPO B		
*	*	*			
*	*	*			
OPTIONAL	N°	L(mm)	NOTE		
F3084	2	810	*		
*	*	*	*		
*	*	*	*		
*	*	*	*		



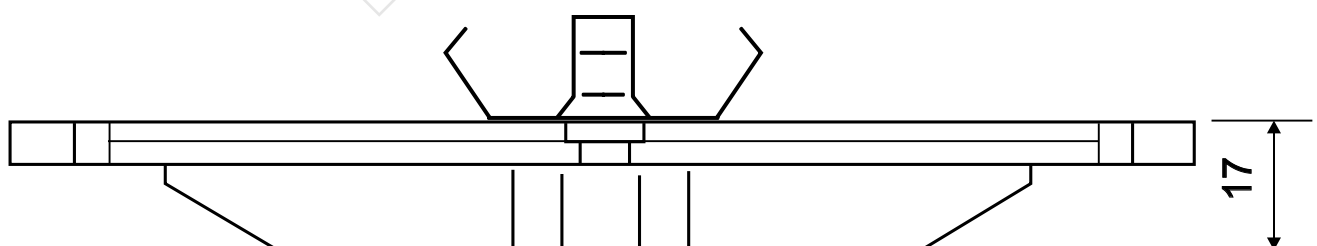
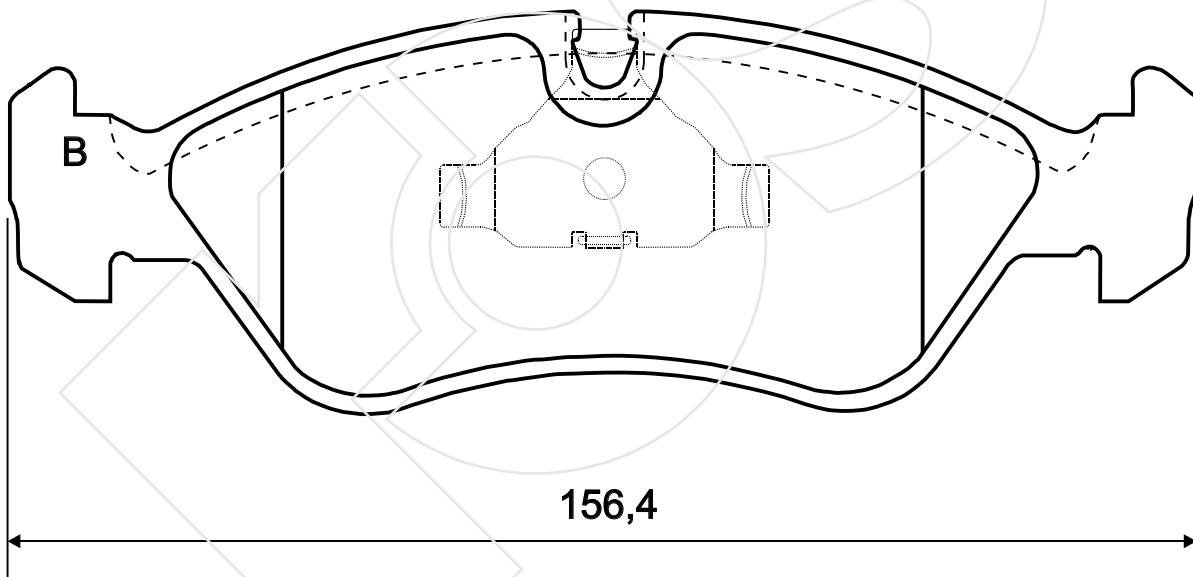
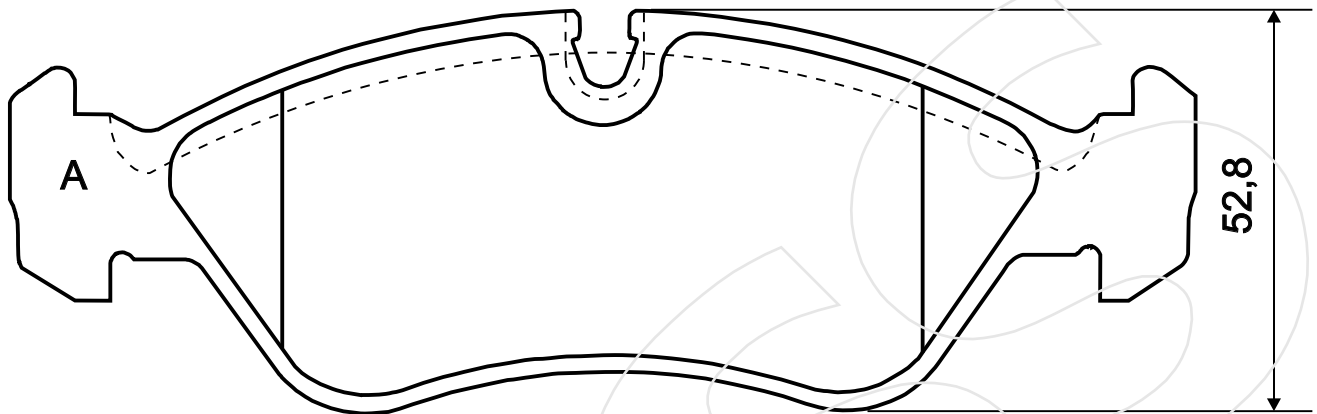
Reference in this Catalogue to other manufactures and to part numbers and other descriptions are for identification purposes only, because the above DISC BRAKE PADS are NOT ORIGINAL but with these interchangeable.

CODICE	IMPIANTO		ASSE	SCALA	APPLICAZIONI
<b>R-416</b>	PERROT		ANTERIORE	1:1	FIAT
CODICE COMPONENTI	N°	L(mm)	SERIE		
*	*	*	2 PEZZI TIPO A		
F3003+F3005	2+2	140/200	2 PEZZI TIPO B		
*	*	*			
*	*	*			
CODICE ACCESSORI	N°	L(mm)	NOTE		
*	*	*			
*	*	*			
*	*	*			
*	*	*			



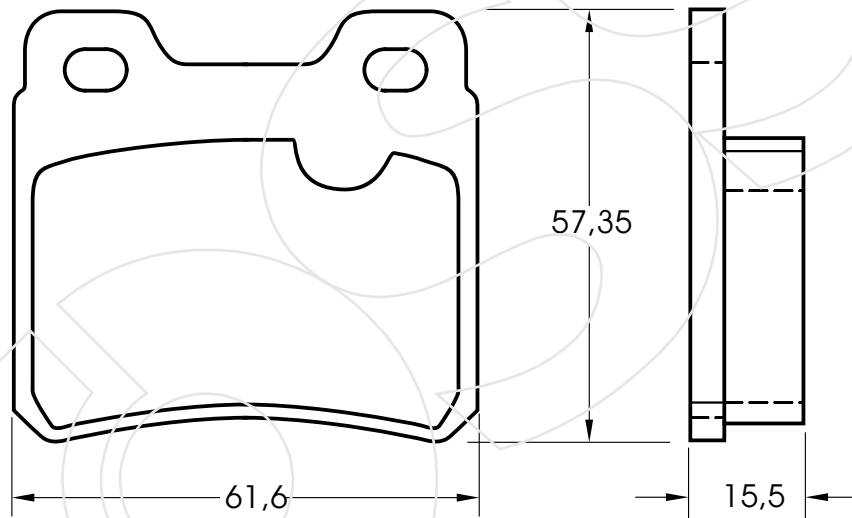
Reference in this Catalogue to other manufactures and to part numbers and other descriptions are for identification purposes only, because the above DISC BRAKE PADS are NOT ORIGINAL but with these interchangeable.

CODICE	IMPIANTO		ASSE	SCALA	APPLICAZIONI
<b>R-417</b>	ATE		ANTERIORE	1:1	OPEL DAEWOO VAUXHALL
CODICE COMPONENTI	N°	L(mm)	SERIE		
*	*	*	2 PEZZI TIPO A		
M0011+P1002	2+2	*	2 PEZZI TIPO B		
*	*	*			
CODICE ACCESSORI	N°	L(mm)	NOTE		
			*		
	*		*		
*	*		*		
*	*		*		



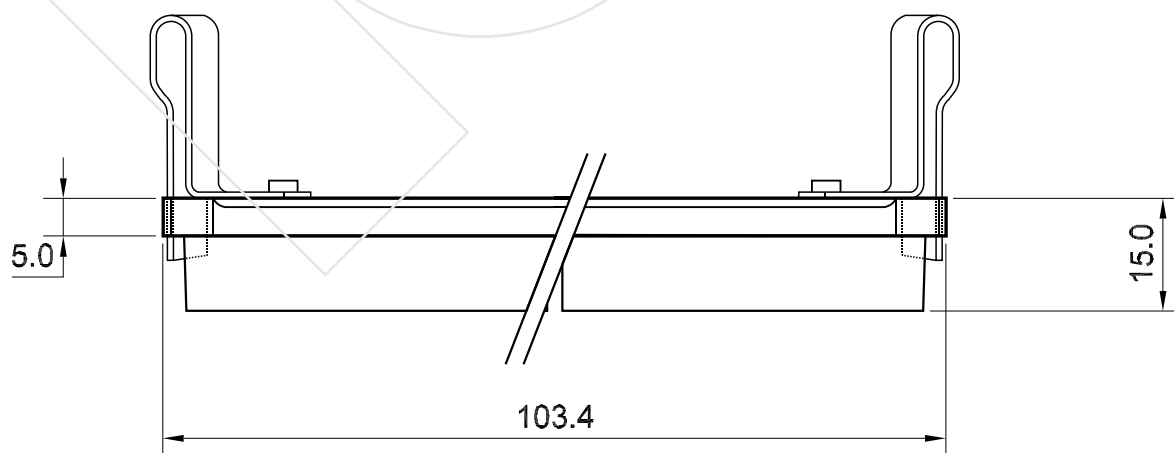
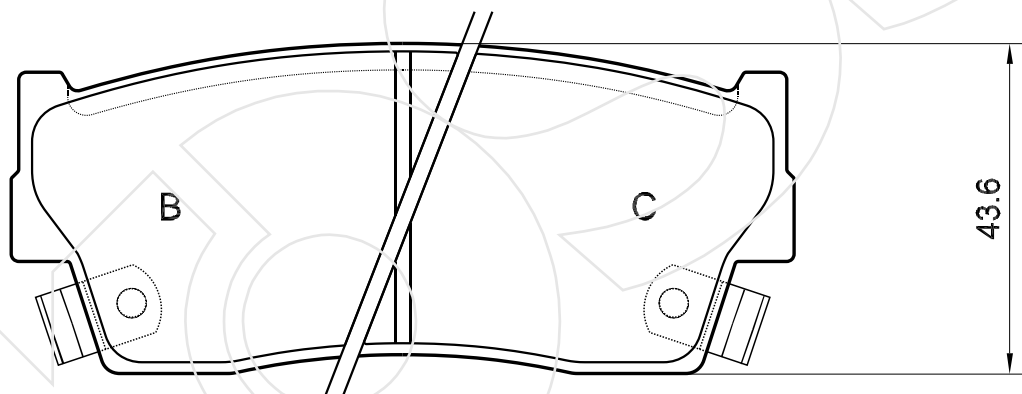
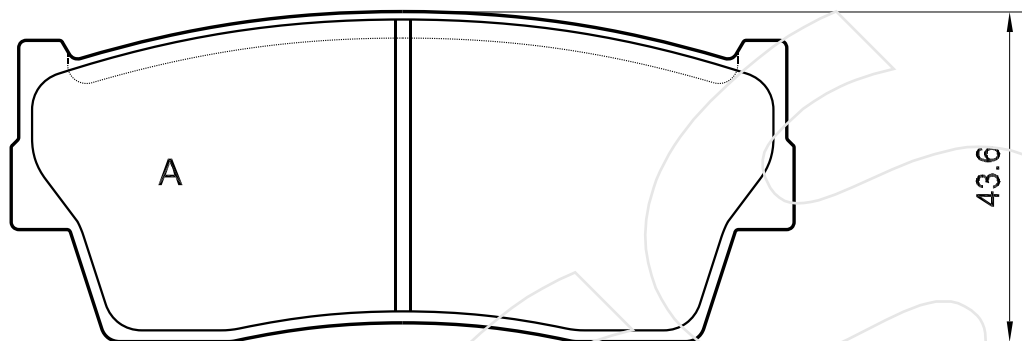
Reference in this Catalogue to other manufactures and to part numbers and other descriptions are for identification purposes only, because the above DISC BRAKE PADS are NOT ORIGINAL but with these interchangeable.

CODICE	IMPIANTO		ASSE	SCALA	APPLICAZIONI
<b>R-418</b>	ATE		POSTERIORE	1:1	OPEL SAAB VAUXHALL
CODICE COMPONENTI	N°	L(mm)	SERIE		
*	*	*	4 PEZZI		
*	*	*			
*	*	*			
*	*	*			
CODICE ACCESSORI	N°	L(mm)	NOTE		
*	*	*			
*	*	*			
*	*	*			



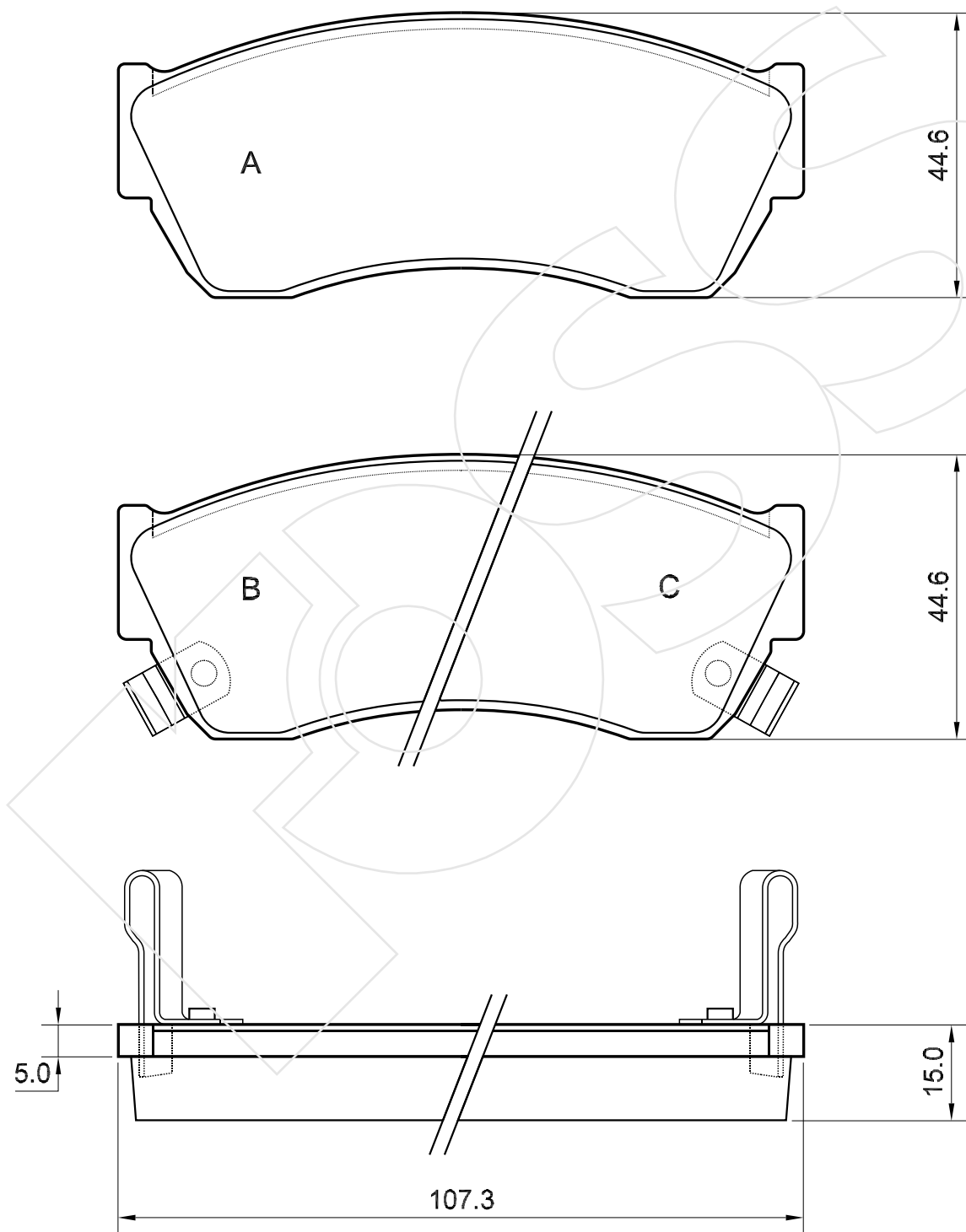
Reference in this Catalogue to other manufactures and to part numbers and other descriptions are for identification purposes only, because the above DISC BRAKE PADS are NOT ORIGINAL but with these interchangeable.

CODICE	IMPIANTO		ASSE	SCALA	APPLICAZIONI
<b>R-419</b>	AKEBONO		ANTERIORE	100%	SUZUKI
CODICE COMPONENTI	N°	L(mm)	SERIE		
*	*	*	2 PEZZI TIPO A		
M0032	1	*	1 PEZZO TIPO B		
M0032	1	*	1 PEZZO TIPO C		
*	*	*	*		
CODICE ACCESSORI	N°	L(mm)	NOTE		
*	*	*			
*	*	*			
*	*	*			
*	*	*			



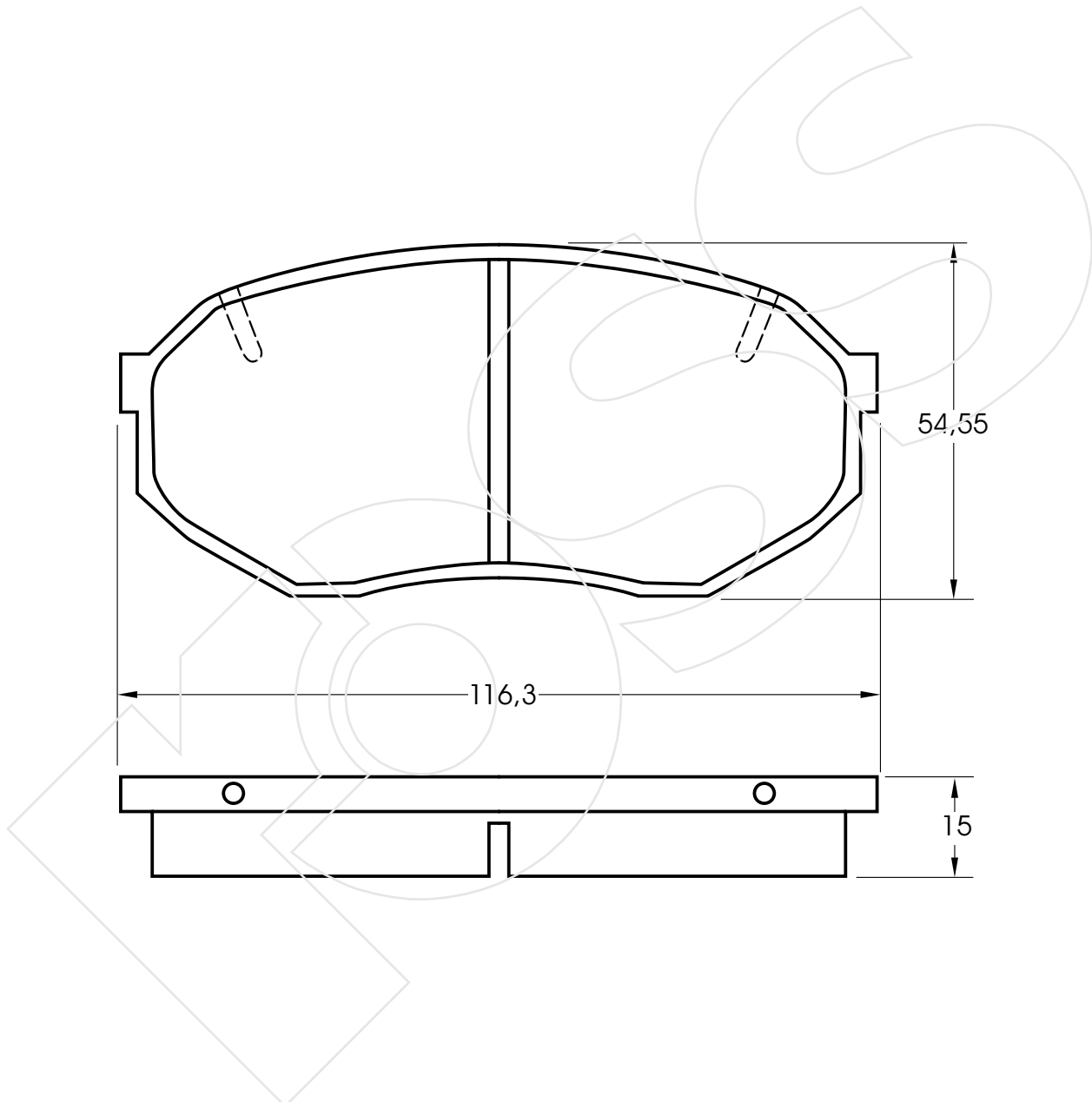
Reference in this Catalogue to other manufactures and to part numbers and other descriptions are for identification purposes only, because the above DISC BRAKE PADS are NOT ORIGINAL but with these interchangeable.

CODICE	IMPIANTO		ASSE	SCALA	APPLICAZIONI
<b>R-420</b>	AKEBONO		ANTERIORE	100%	SUZUKI
CODICE COMPONENTI	N°	L(mm)	SERIE		
*	*	*	2 PEZZI TIPO A		
M0032	1	*	1 PEZZO TIPO B		
M0032	1	*	1 PEZZO TIPO C		
*	*	*	*		
CODICE ACCESSORI	N°	L(mm)	NOTE		
*	*	*			
*	*	*			
*	*	*			
*	*	*			



Reference in this Catalogue to other manufactures and to part numbers and other descriptions are for identification purposes only, because the above DISC BRAKE PADS are NOT ORIGINAL but with these interchangeable.

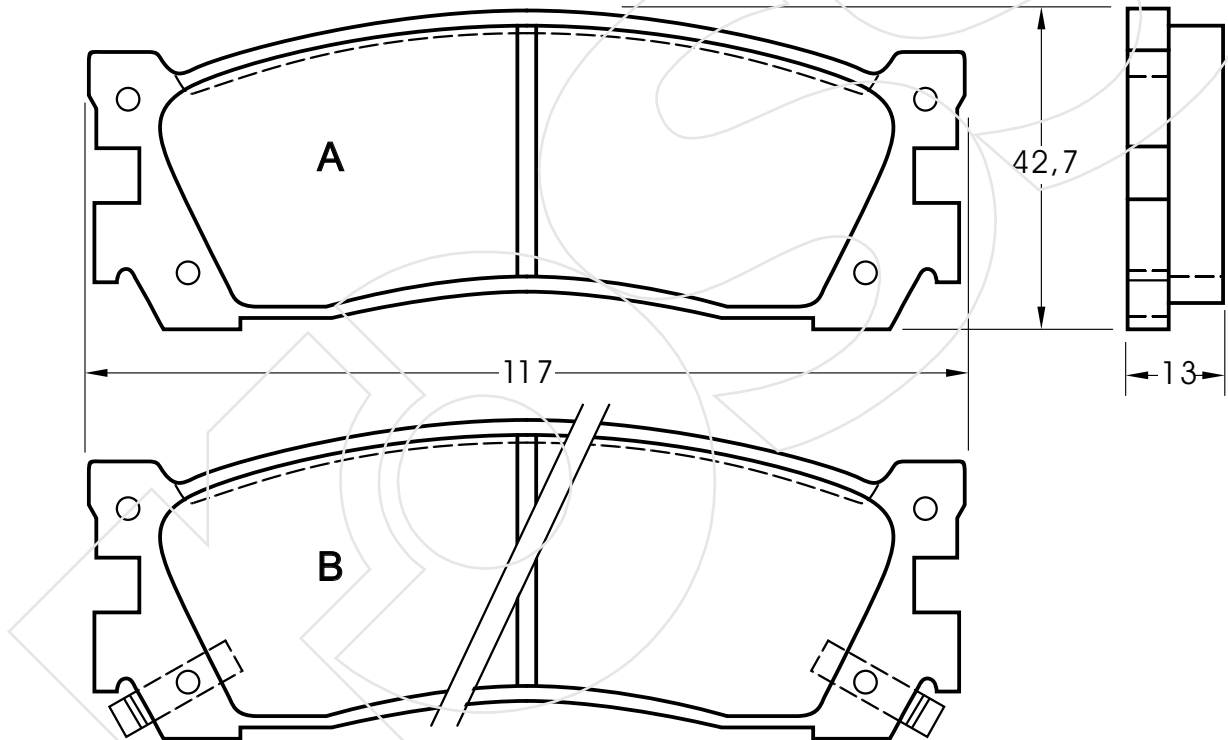
CODICE	IMPIANTO	ASSE	SCALA	APPLICAZIONI
<b>R-421</b>	SUMITOMO	ANTERIORE	1:1	MAZDA
CODICE COMPONENTI	N°	L(mm)	SERIE	
*	*	*	4 PEZZI	
*	*	*		
*	*	*		
*	*	*		
CODICE ACCESSORI	N°	L(mm)	NOTE	
*	*	*		
*	*	*		
*	*	*		
*	*	*		



Reference in this Catalogue to other manufactures and to part numbers and other descriptions are for identification purposes only, because the above DISC BRAKE PADS are NOT ORIGINAL but with these interchangeable.

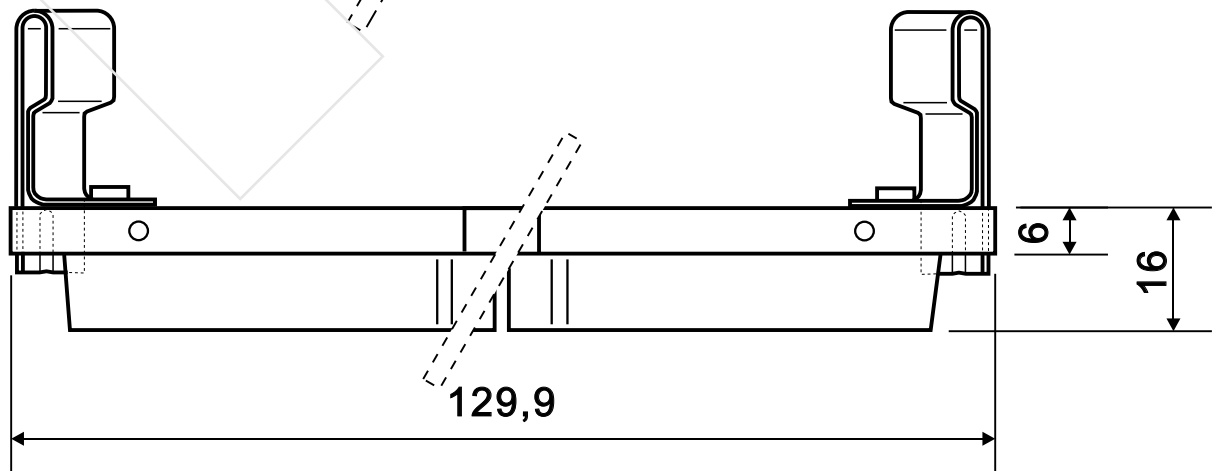
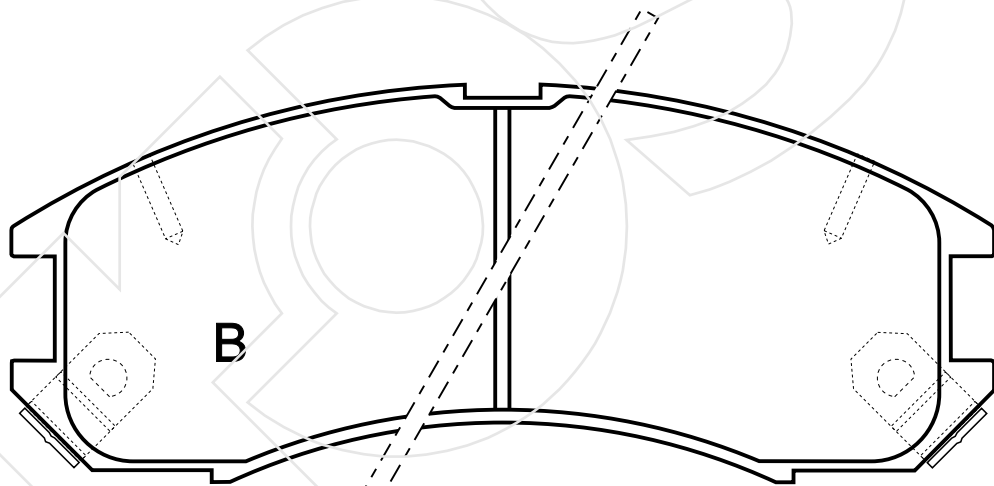
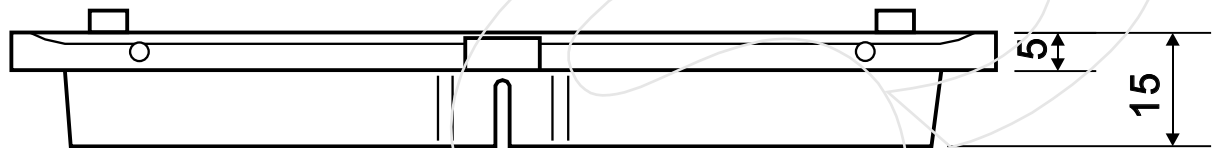
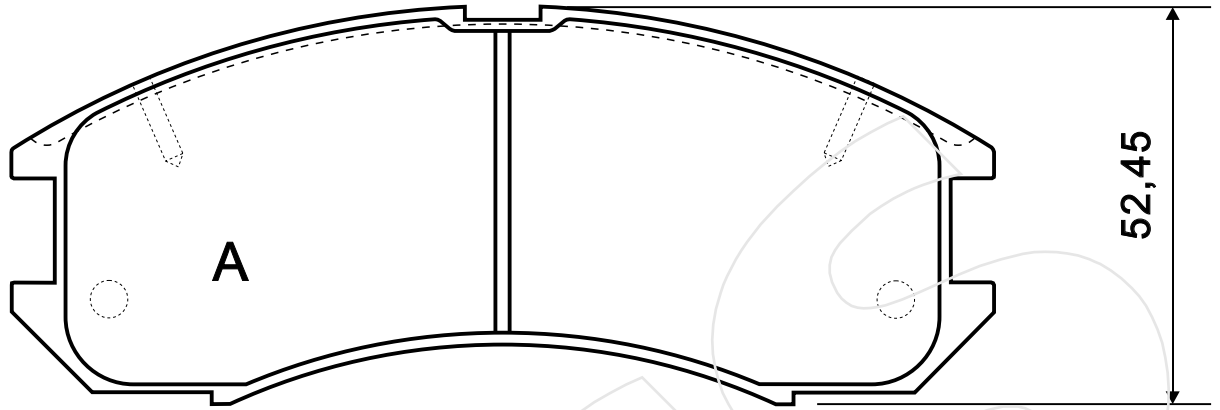


CODICE	IMPIANTO	ASSE	SCALA	APPLICAZIONI
<b>R-422</b>	AKEBONO	POSTERIORE	1:1	MAZDA
CODICE COMPONENTI	N°	L(mm)	SERIE	
*	*	*	2 PEZZI TIPO A	
M0069	2	*	2 PEZZI TIPO B	
*	*	*		
*	*	*		
CODICE ACCESSORI	N°	L(mm)	NOTE	
			*	
	*		*	
*	*		*	
*	*		*	



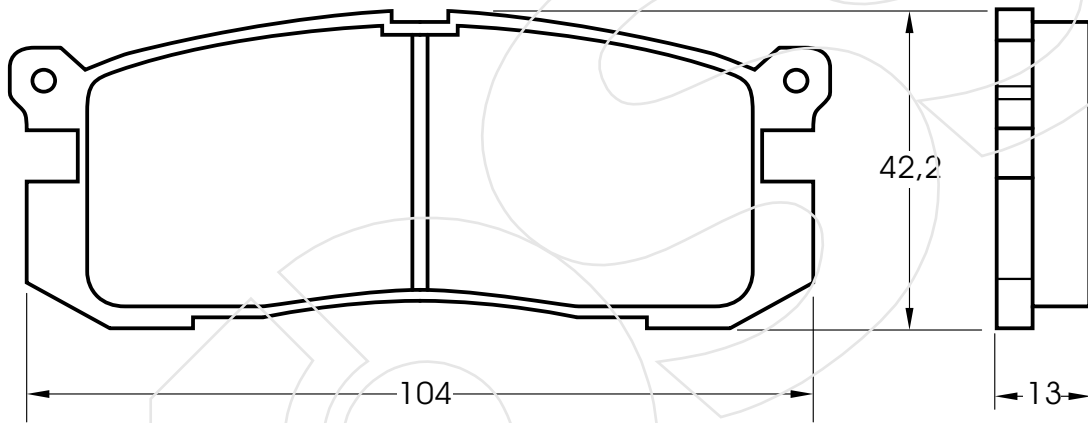
Reference in this Catalogue to other manufactures and to part numbers and other descriptions are for identification purposes only, because the above DISC BRAKE PADS are NOT ORIGINAL but with these interchangeable.

CODICE	IMPIANTO		ASSE	SCALA	APPLICAZIONI
<b>R-423</b>	AKEBONO		ANTERIORE	1:1	MAZDA
CODICE COMPONENTI	N°	L(mm)	SERIE		
*	*	*	4 PEZZI TIPO A		
M0070	1		1 PEZZO TIPO B CON MOLLA A DX		
M0070	1		1 PEZZO TIPO B CON MOLLA A SX		
CODICE ACCESSORI	N°	L(mm)	NOTE		
*	*	*	*		
*	*	*	*		
*	*	*	*		
*	*	*	*		



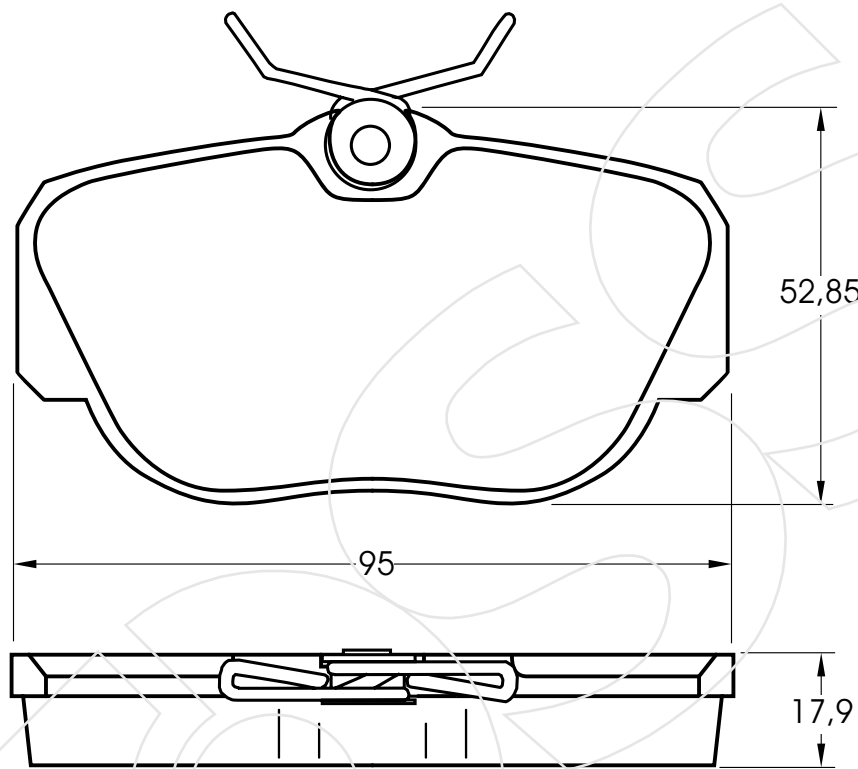
Reference in this Catalogue to other manufactures and to part numbers and other descriptions are for identification purposes only, because the above DISC BRAKE PADS are NOT ORIGINAL but with these interchangeable.

CODICE	IMPIANTO		ASSE	SCALA	APPLICAZIONI
<b>R-424</b>	SUMITOMO		POSTERIORE	1:1	FORD MAZDA
CODICE COMPONENTI	N°	L(mm)	SERIE		
*	*	*	4 PEZZI		
*	*	*			
*	*	*			
*	*	*			
CODICE ACCESSORI	N°	L(mm)	NOTE		
*	*	*			
*	*	*			
*	*	*			



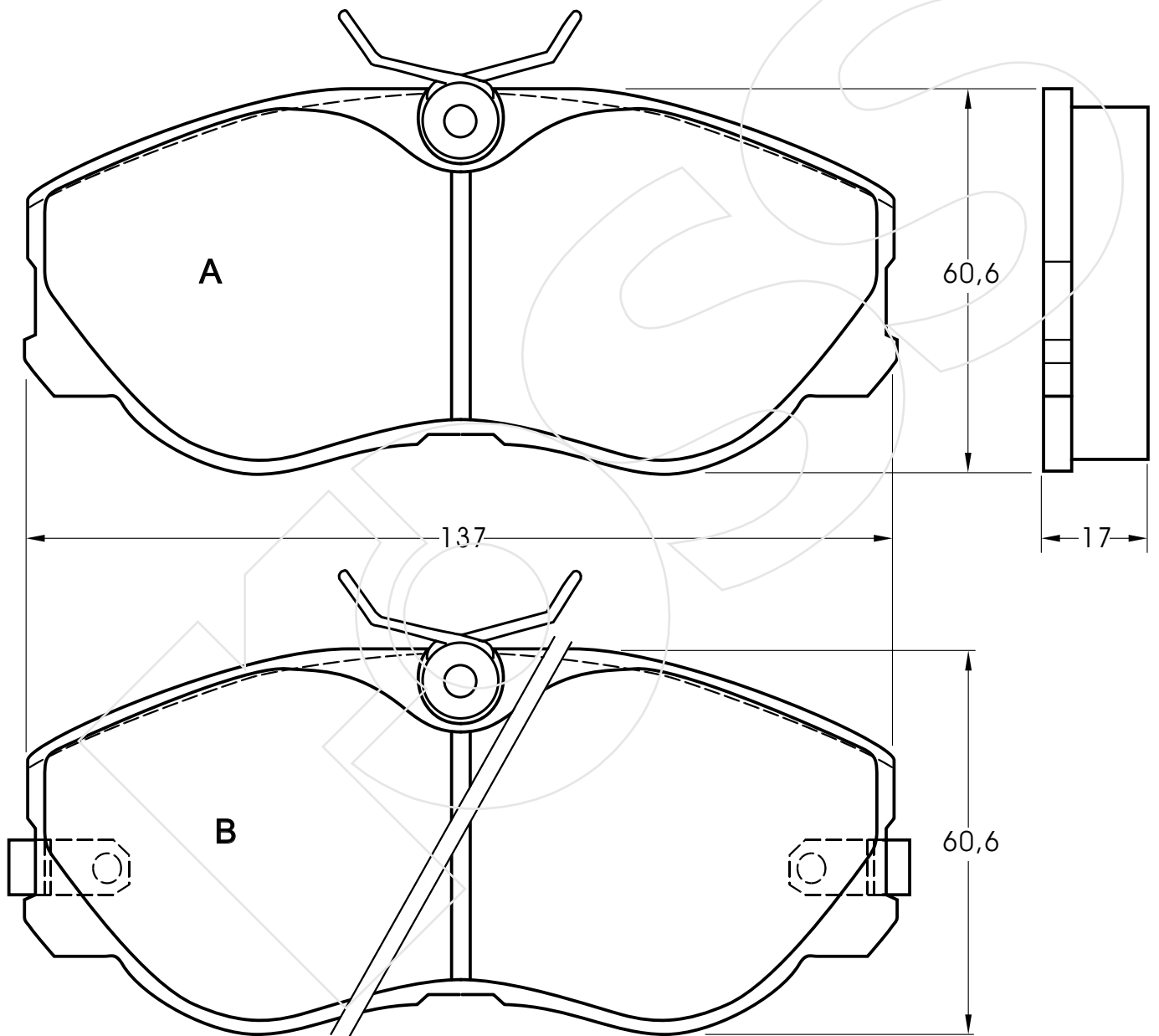
Reference in this Catalogue to other manufactures and to part numbers and other descriptions are for identification purposes only, because the above DISC BRAKE PADS are NOT ORIGINAL but with these interchangeable.

CODICE	IMPIANTO		ASSE	SCALA	APPLICAZIONI
<b>R-425</b>	GIRLING		ANTERIORE	1:1	MERCEDES
CODICE COMPONENTI	N°	L(mm)	SERIE		
M0015+P1004	4+4	*	4 PEZZI		
*	*	*			
*	*	*			
*	*	*			
CODICE ACCESSORI	N°	L(mm)	NOTE		
*	*	*			
*	*	*			
*	*	*			
*	*	*			



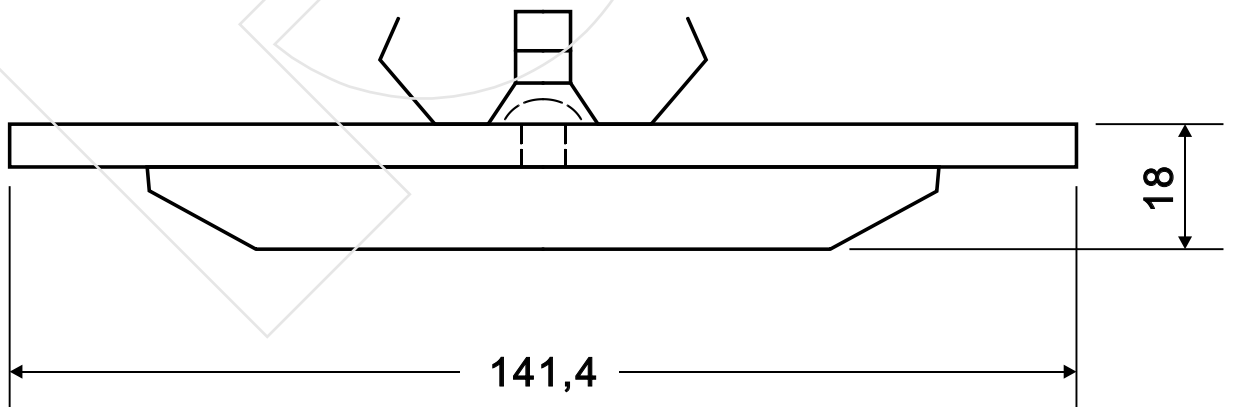
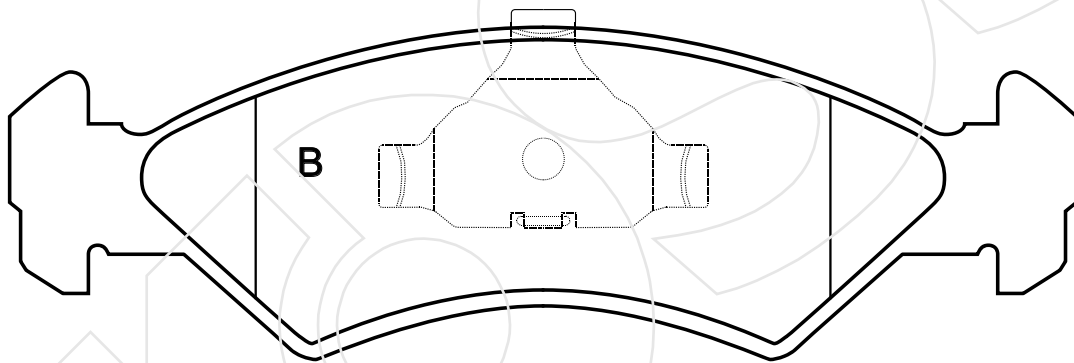
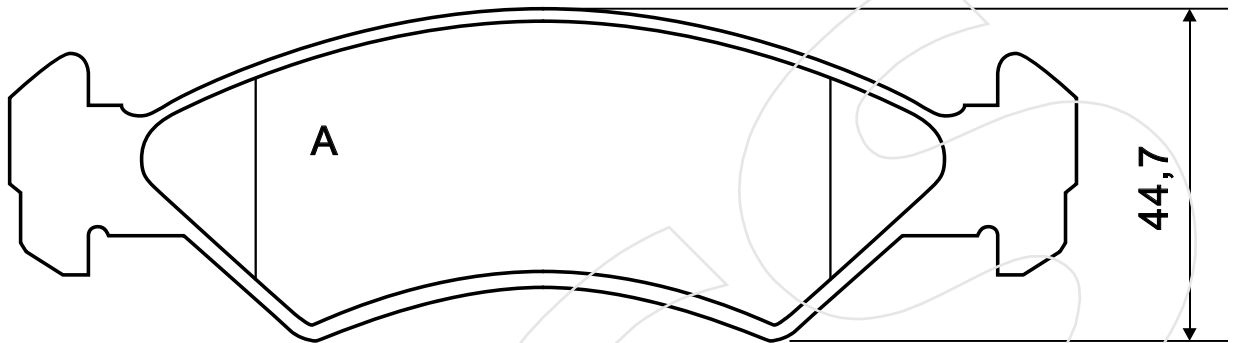
Reference in this Catalogue to other manufactures and to part numbers and other descriptions are for identification purposes only, because the above DISC BRAKE PADS are NOT ORIGINAL but with these interchangeable.

CODICE	IMPIANTO	ASSE	SCALA	APPLICAZIONI
<b>R-426</b>	SUMITOMO	ANTERIORE	1:1	NISSAN-DATSUN
CODICE COMPONENTI	N°	L(mm)	SERIE	
M0015+P1004	2+2	*	2 PEZZI TIPO A	
M0015+P1004+M0071	2+2+2	*	2 PEZZI TIPO B	
*	*	*		
*	*	*		
CODICE ACCESSORI	N°	L(mm)	NOTE	
			*	
	*		*	
*	*		*	
*	*		*	



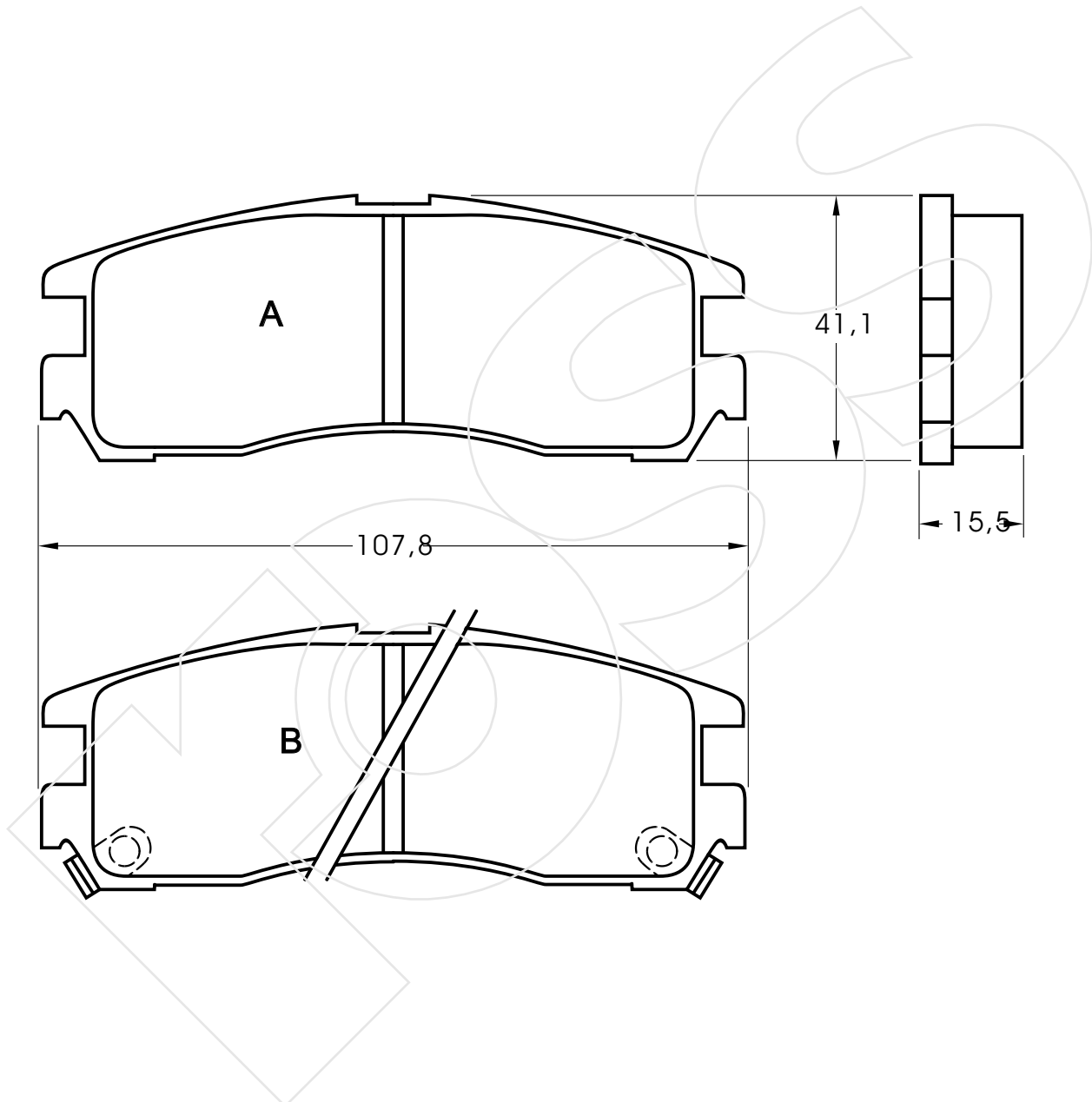
Reference in this Catalogue to other manufactures and to part numbers and other descriptions are for identification purposes only, because the above DISC BRAKE PADS are NOT ORIGINAL but with these interchangeable.

CODICE	IMPIANTO		ASSE	SCALA	APPLICAZIONI
<b>R-427</b>	ATE		ANTERIORE	1:1	FORD
CODICE COMPONENTI	N°	L(mm)	SERIE		
*	*	*	2 PEZZI TIPO A		
M0024+P1002	2+2	*	2 PEZZI TIPO B		
*	*	*			
*	*	*			
CODICE ACCESSORI	N°	L(mm)	NOTE		
			*		
	*		*		
*	*		*		
*	*		*		



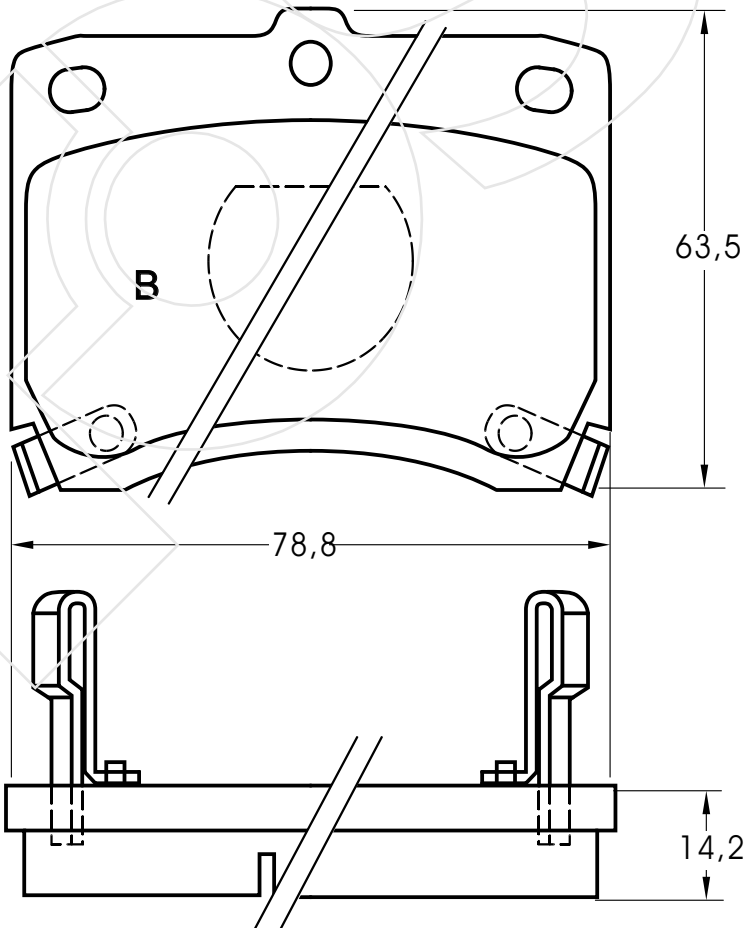
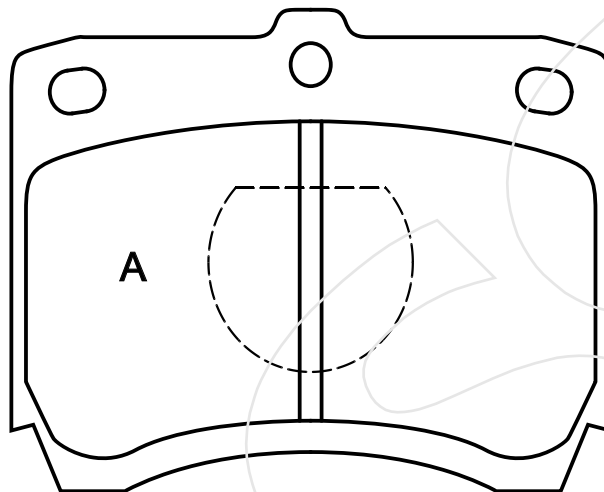
Reference in this Catalogue to other manufactures and to part numbers and other descriptions are for identification purposes only, because the above DISC BRAKE PADS are NOT ORIGINAL but with these interchangeable.

CODICE	IMPIANTO		ASSE	SCALA	APPLICAZIONI
<b>R-428</b>	AKEBONO		POSTERIORE	1:1	MITSUBISHI
CODICE COMPONENTI	N°	L(mm)	SERIE		
*	*	*	2 PEZZI TIPO A		
M0069	2	*	2 PEZZI TIPO B		
*	*	*			
*	*	*			
CODICE ACCESSORI	N°	L(mm)	NOTE		
			*		
	*		*		
*	*		*		
*	*		*		



Reference in this Catalogue to other manufactures and to part numbers and other descriptions are for identification purposes only, because the above DISC BRAKE PADS are NOT ORIGINAL but with these interchangeable.

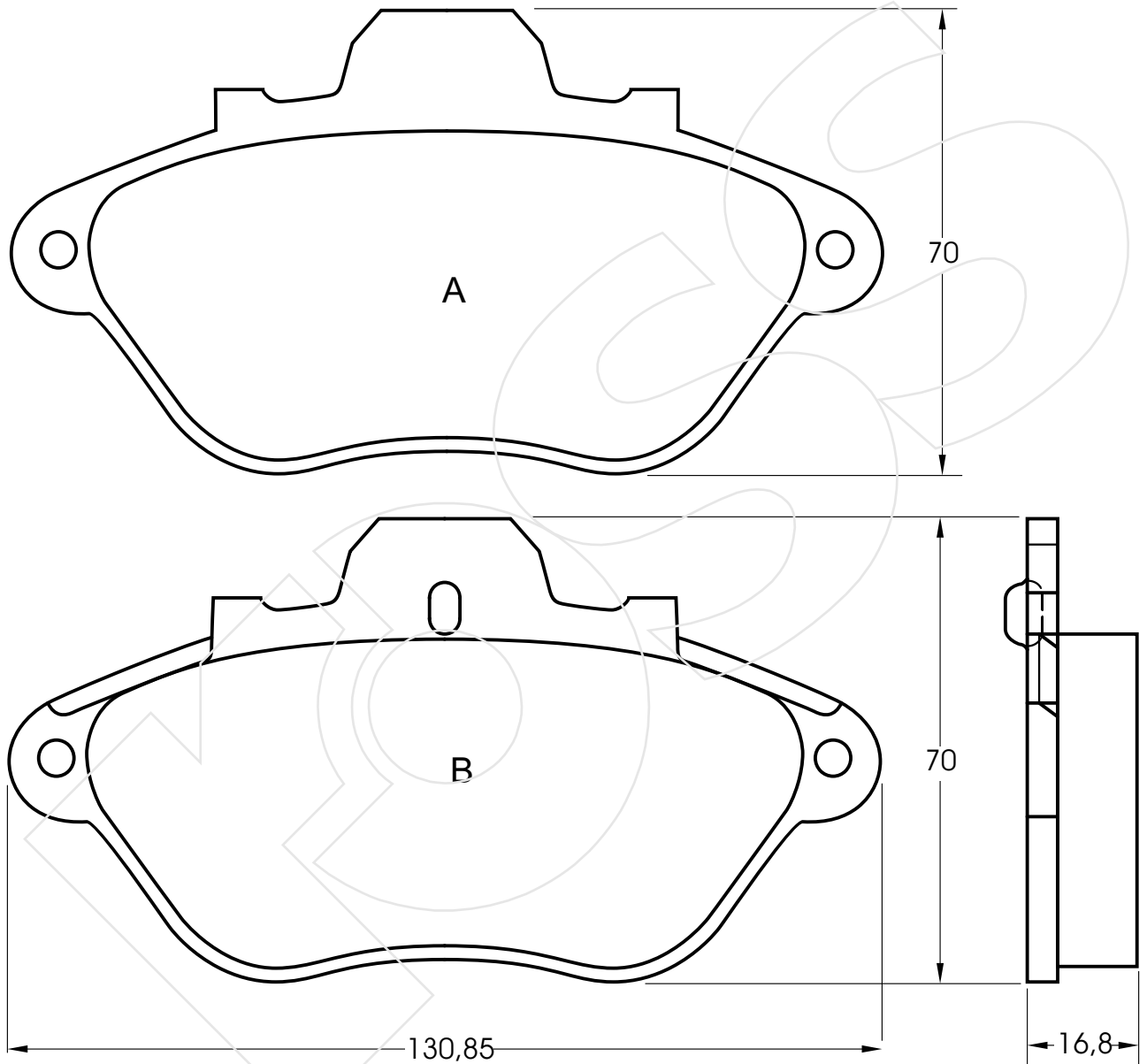
CODICE	IMPIANTO	ASSE	SCALA	APPLICAZIONI
<b>R-429</b>	SUMITOMO	ANTERIORE	1:1	MAZDA KIA MOTORS
CODICE COMPONENTI	N°	L(mm)	SERIE	
*	*	*	2 PEZZI TIPO A	
M0044	2	*	2 PEZZI TIPO B	
*	*	*		
*	*	*		
CODICE ACCESSORI	N°	L(mm)	NOTE	
			*	
	*		*	
*	*		*	
*	*		*	



Reference in this Catalogue to other manufactures and to part numbers and other descriptions are for identification purposes only, because the above DISC BRAKE PADS are NOT ORIGINAL but with these interchangeable.

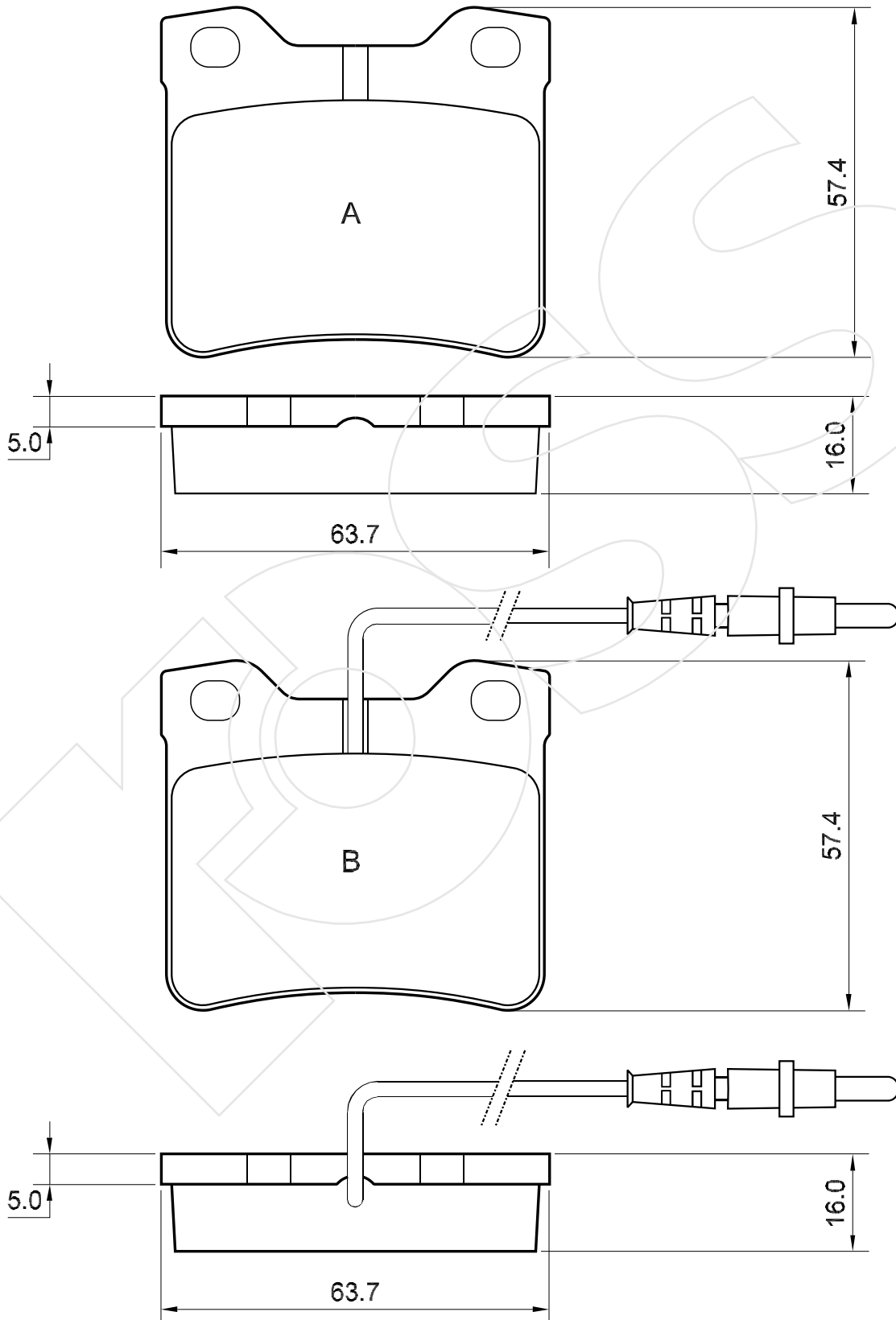


CODICE	IMPIANTO		ASSE	SCALA	APPLICAZIONI
<b>R-430</b>	BENDIX		ANTERIORE	1:1	CITROEN
CODICE COMPONENTI	N°	L(mm)	SERIE		
*	*	*	2 PEZZI TIPO A		
*	*	*	2 PEZZI TIPO B		
F3049	2	130			
F3055	2	338			
CODICE ACCESSORI	N°	L(mm)	NOTE		
*	*	*			
*	*	*			
*	*	*			



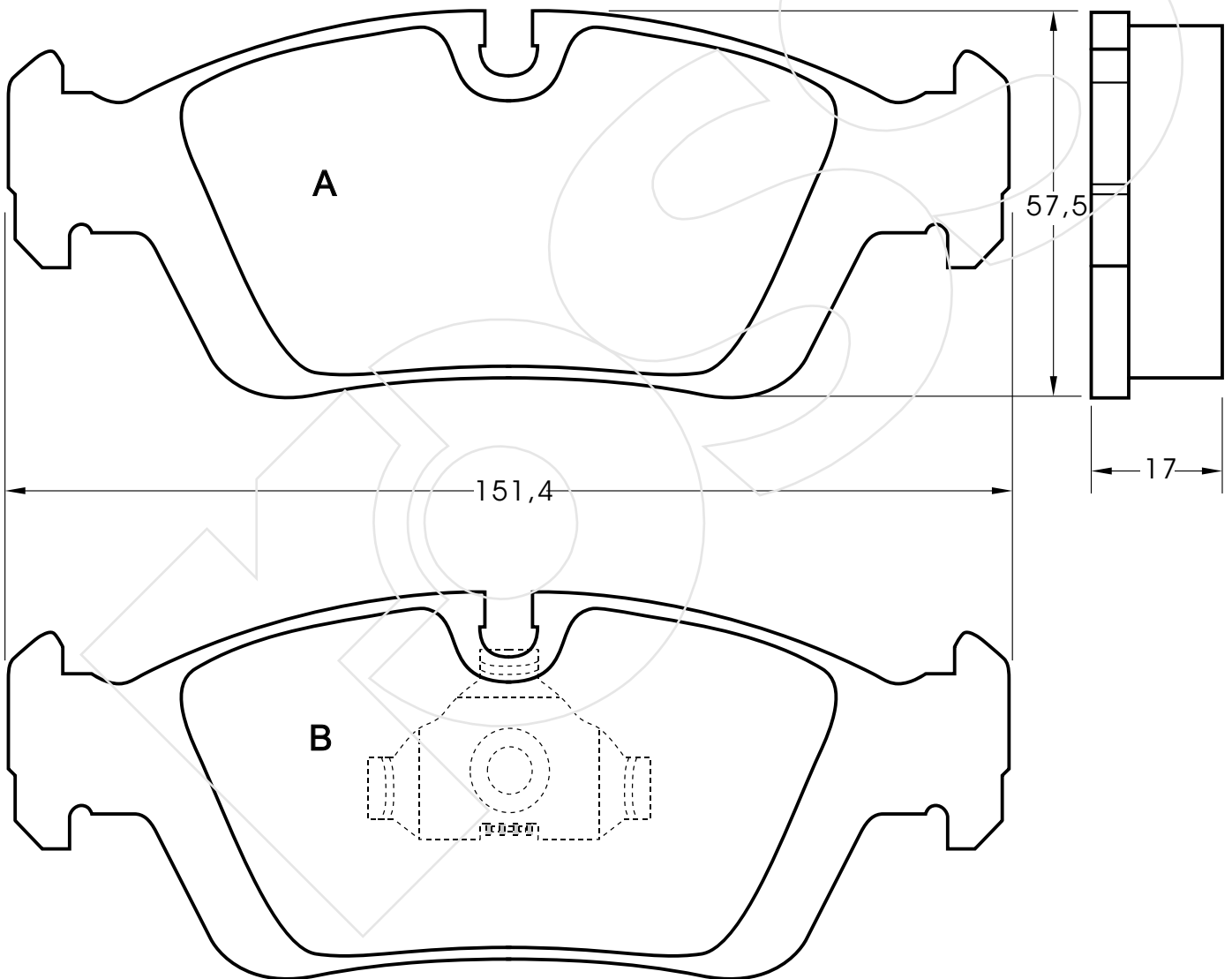
Reference in this Catalogue to other manufactures and to part numbers and other descriptions are for identification purposes only, because the above DISC BRAKE PADS are NOT ORIGINAL but with these interchangeable.

CODICE	IMPIANTO		ASSE	SCALA	APPLICAZIONI
<b>R-431</b>	ATE		POSTERIORE	1:1	PEUGEOT
CODICE COMPONENTI	N°	L(mm)	SERIE		
*	*	*	2 PEZZI TIPO A		
F3003	2	140	2 PEZZI TIPO B		
*	*	*	*		
*	*	*	*		
CODICE ACCESSORI	N°	L(mm)	NOTE		
*	*	*	*		
*	*	*	*		
*	*	*	*		
*	*	*	*		



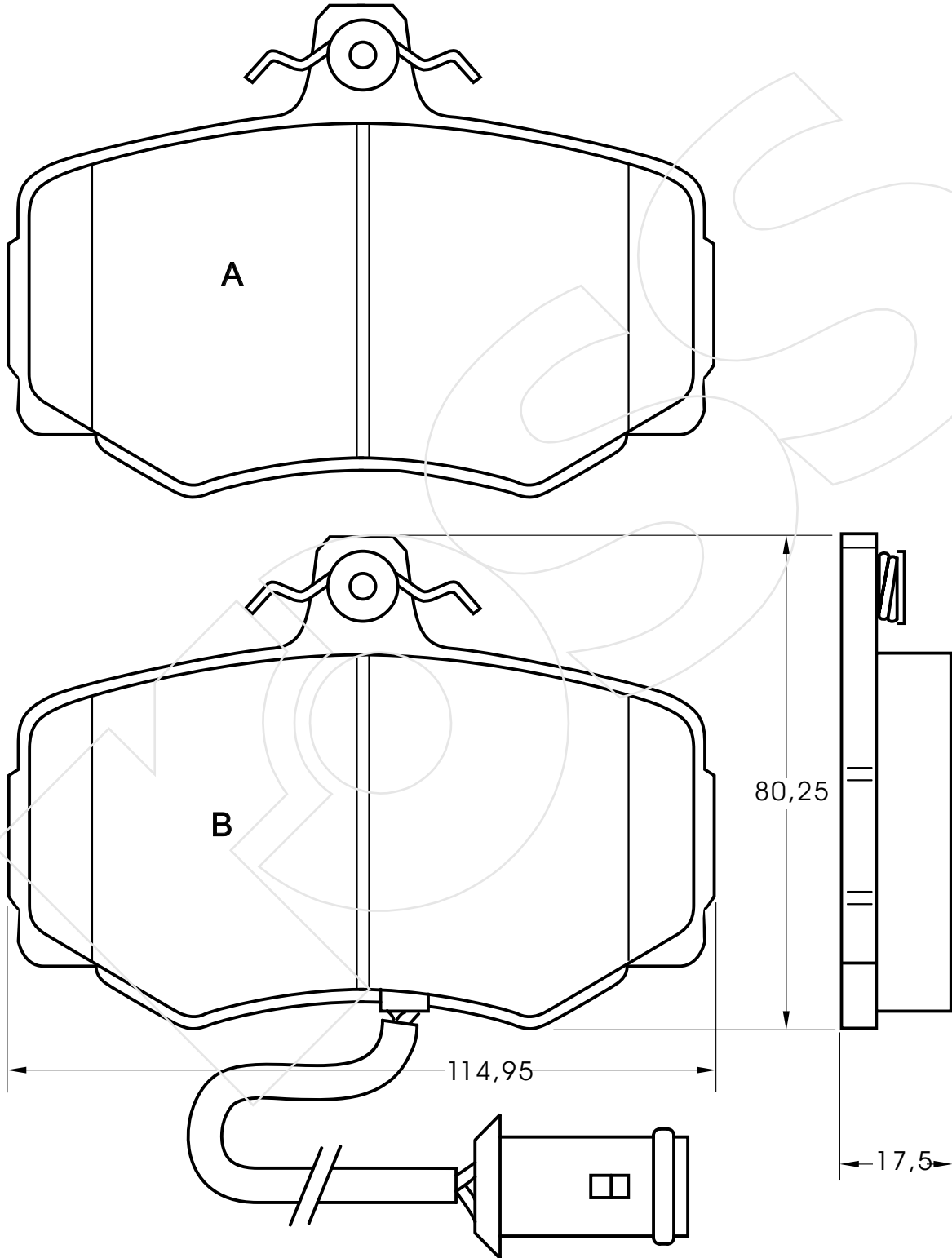
Reference in this Catalogue to other manufactures and to part numbers and other descriptions are for identification purposes only, because the above DISC BRAKE PADS are NOT ORIGINAL but with these interchangeable.

CODICE	IMPIANTO		ASSE	SCALA	APPLICAZIONI
<b>R-432</b>	ATE		ANTERIORE	1:1	BMW
CODICE COMPONENTI	N°	L(mm)	SERIE		
*	*	*	2 PEZZI TIPO A		
M0011+P1002	2+2	*	2 PEZZI TIPO B		
*	*	*			
*	*	*			
CODICE ACCESSORI	N°	L(mm)	NOTE		
			*		
	*		*		
*	*		*		
*	*		*		



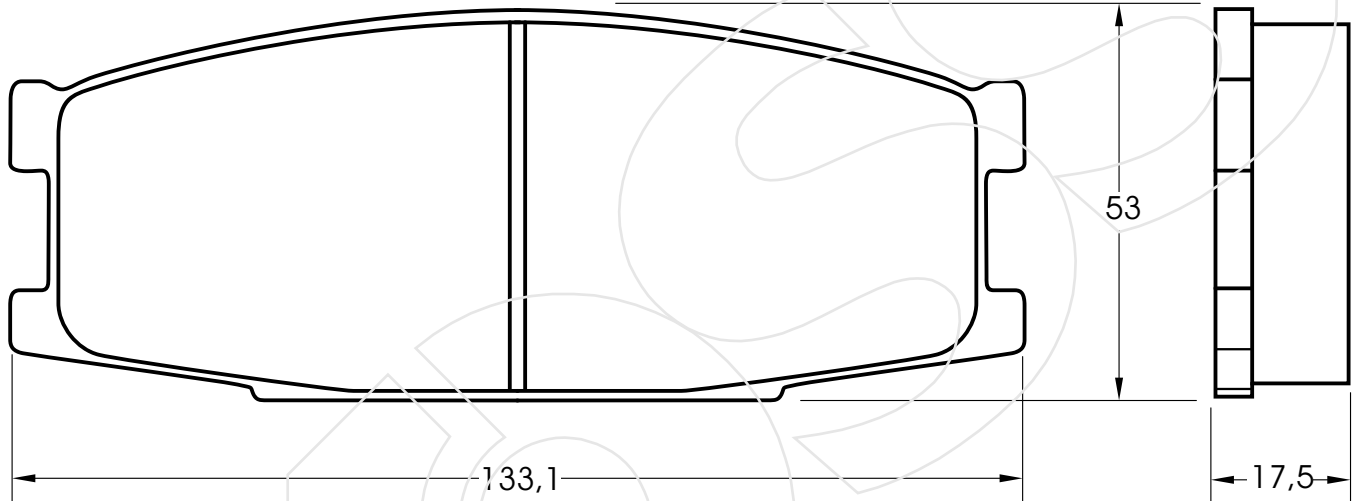
Reference in this Catalogue to other manufactures and to part numbers and other descriptions are for identification purposes only, because the above DISC BRAKE PADS are NOT ORIGINAL but with these interchangeable.

CODICE	IMPIANTO		ASSE	SCALA	APPLICAZIONI
<b>R-433</b>	GIRLING		ANTERIORE	1:1	JAGUAR MERCEDES
CODICE COMPONENTI	N°	L(mm)	SERIE		
M0030+P1012	2+2	*	2 PEZZI TIPO A		
M0030+P1012+F3029	2+2+2	225	2 PEZZI TIPO B		
*	*	*			
*	*	*			
CODICE ACCESSORI	N°	L(mm)	NOTE		
			*		
	*		*		
*	*		*		
*	*		*		



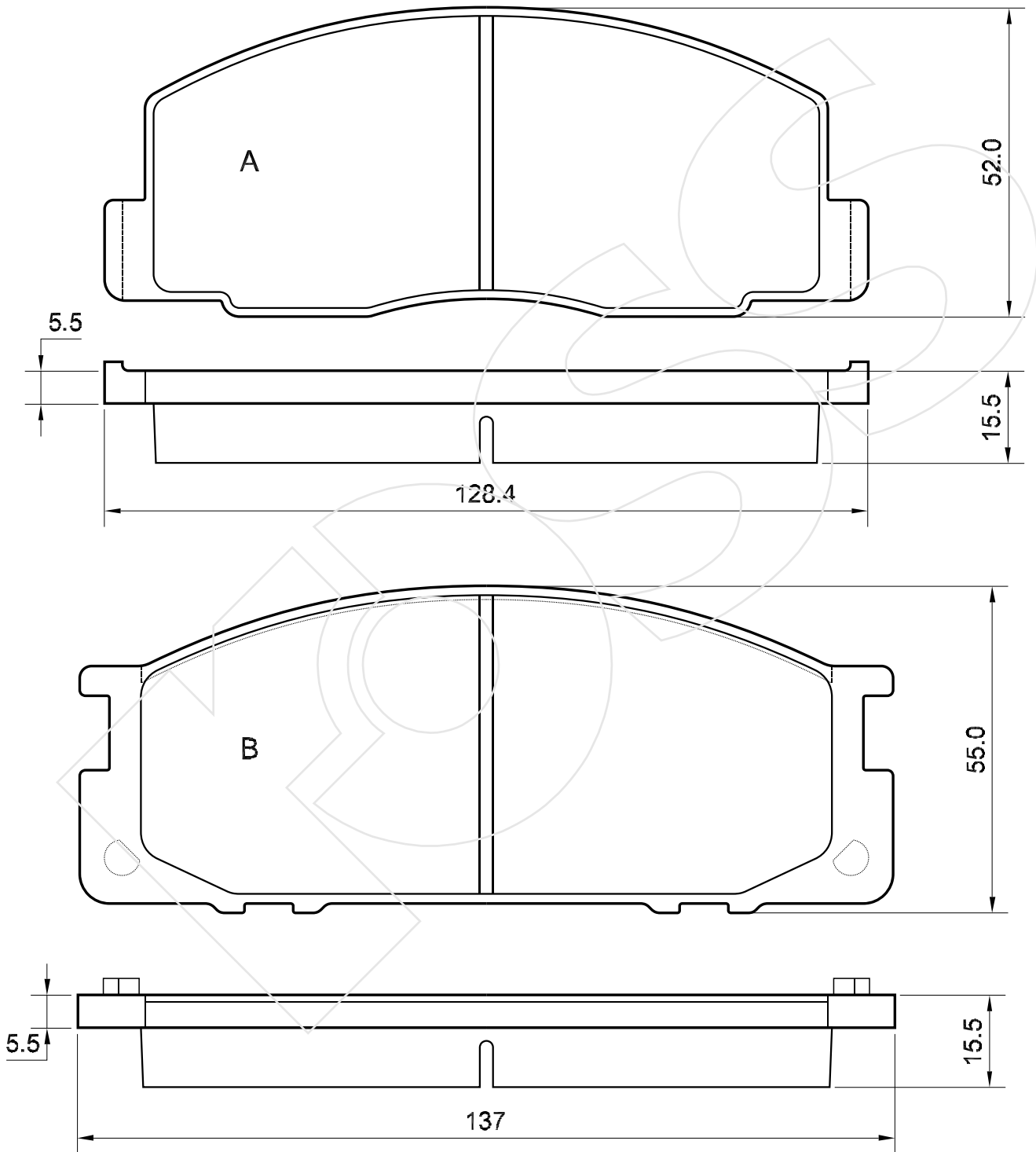
Reference in this Catalogue to other manufactures and to part numbers and other descriptions are for identification purposes only, because the above DISC BRAKE PADS are NOT ORIGINAL but with these interchangeable.

CODICE	IMPIANTO	ASSE	SCALA	APPLICAZIONI
<b>R-434</b>	SUMITOMO	ANTERIORE	1:1	MITSUBISHI
CODICE COMPONENTI	N°	L(mm)	SERIE	
*	*	*	4 PEZZI	
*	*	*		
*	*	*		
*	*	*		
CODICE ACCESSORI	N°	L(mm)	NOTE	
*	*	*		
*	*	*		
*	*	*		
*	*	*		



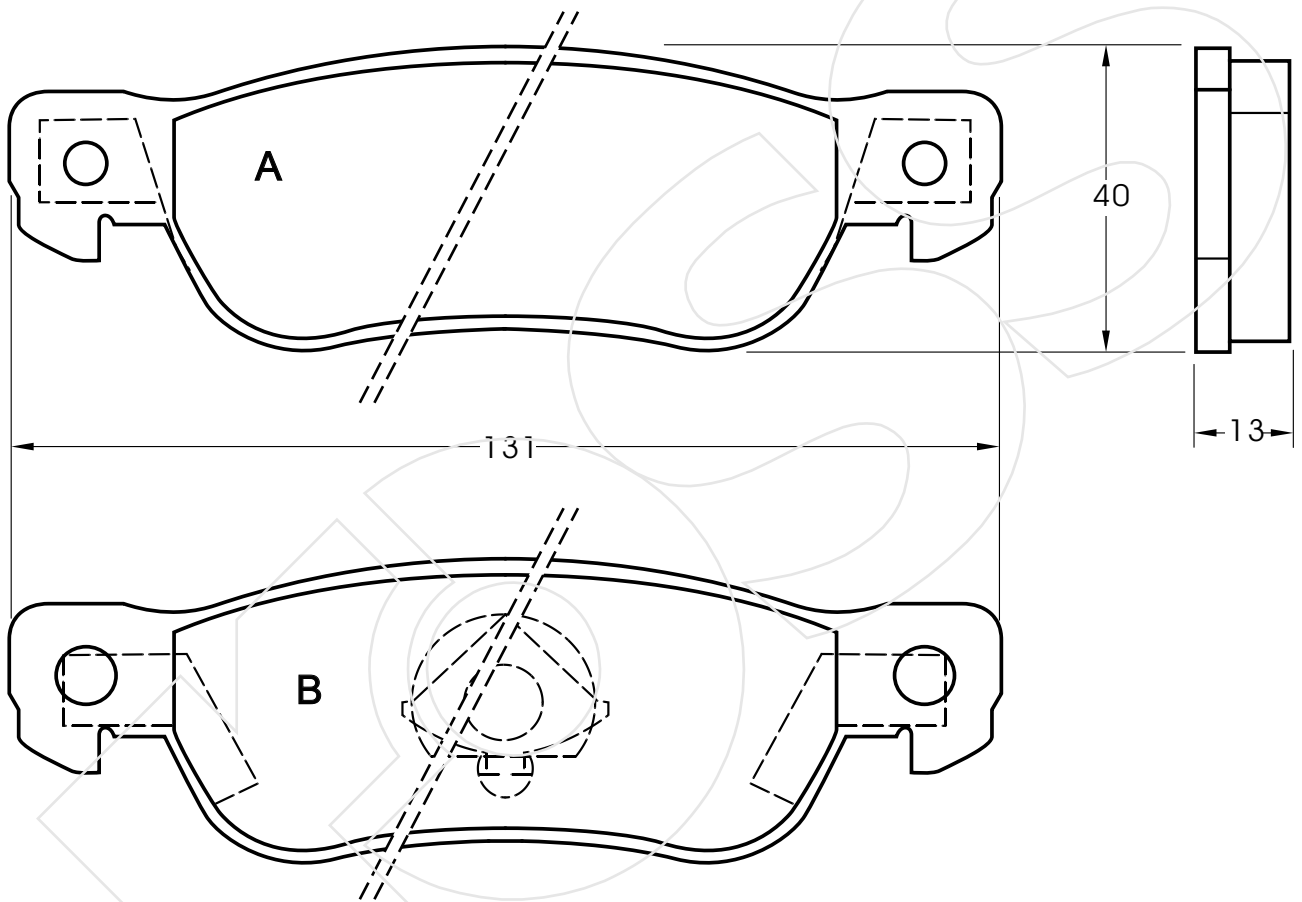
Reference in this Catalogue to other manufactures and to part numbers and other descriptions are for identification purposes only, because the above DISC BRAKE PADS are NOT ORIGINAL but with these interchangeable.

CODICE	IMPIANTO	ASSE	SCALA	APPLICAZIONI
<b>R-435</b>	AKEBONO	ANTERIORE	1:1	TOYOTA
CODICE COMPONENTI	N°	L(mm)	SERIE	
*	*	*	2 PEZZI TIPO A	
*	*	*	2 PEZZI TIPO B	
*	*	*		
*	*	*		
CODICE ACCESSORI	N°	L(mm)	NOTE	
			*	
	*		*	
	*		*	
	*		*	



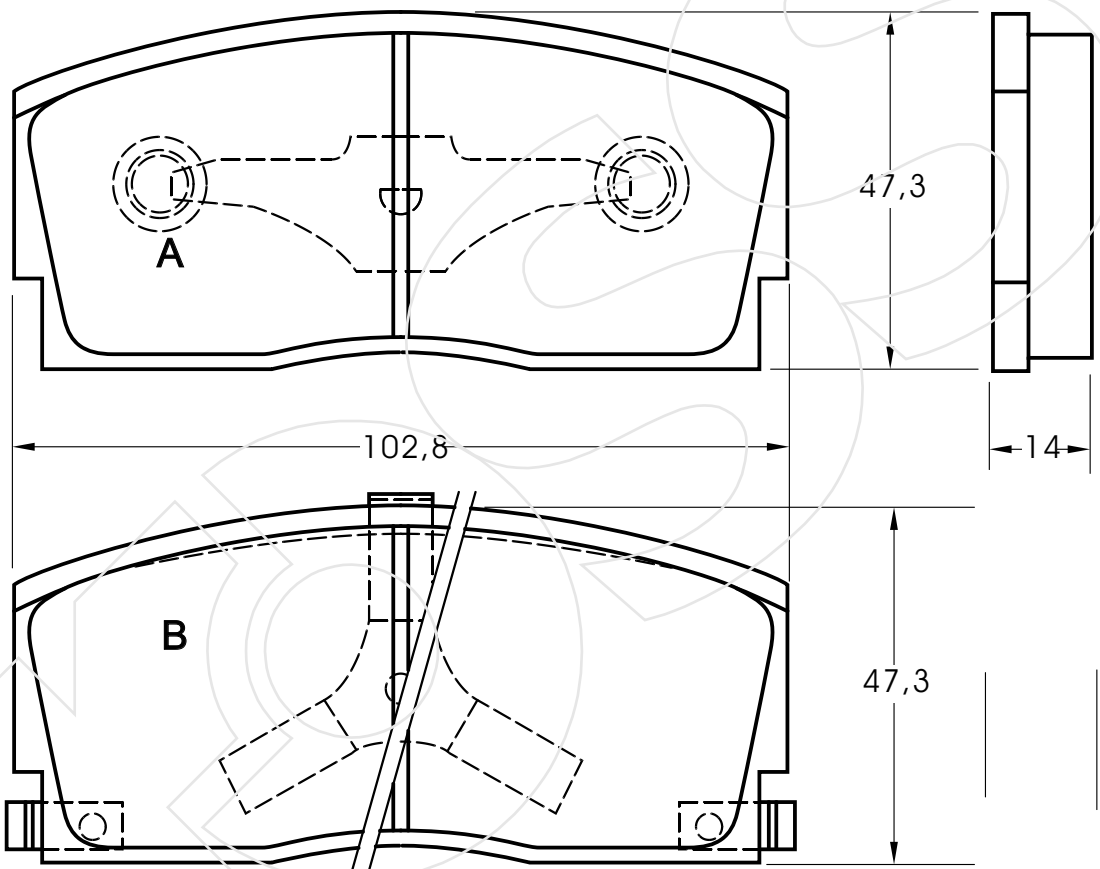
Reference in this Catalogue to other manufactures and to part numbers and other descriptions are for identification purposes only, because the above DISC BRAKE PADS are NOT ORIGINAL but with these interchangeable.

CODICE	IMPIANTO	ASSE	SCALA	APPLICAZIONI
<b>R-436</b>	AKEBONO	POSTERIORE	1:1	ISUZU
CODICE COMPONENTI	N°	L(mm)	SERIE	
M0125+M0126	1+1	*	2 PEZZI TIPO A	
M0122+M0123+M0124	2+1+1	*	2 PEZZI TIPO B	
*	*	*		
*	*	*		
CODICE ACCESSORI	N°	L(mm)	NOTE	
			*	
	*		*	
*	*		*	
*	*		*	



Reference in this Catalogue to other manufactures and to part numbers and other descriptions are for identification purposes only, because the above DISC BRAKE PADS are NOT ORIGINAL but with these interchangeable.

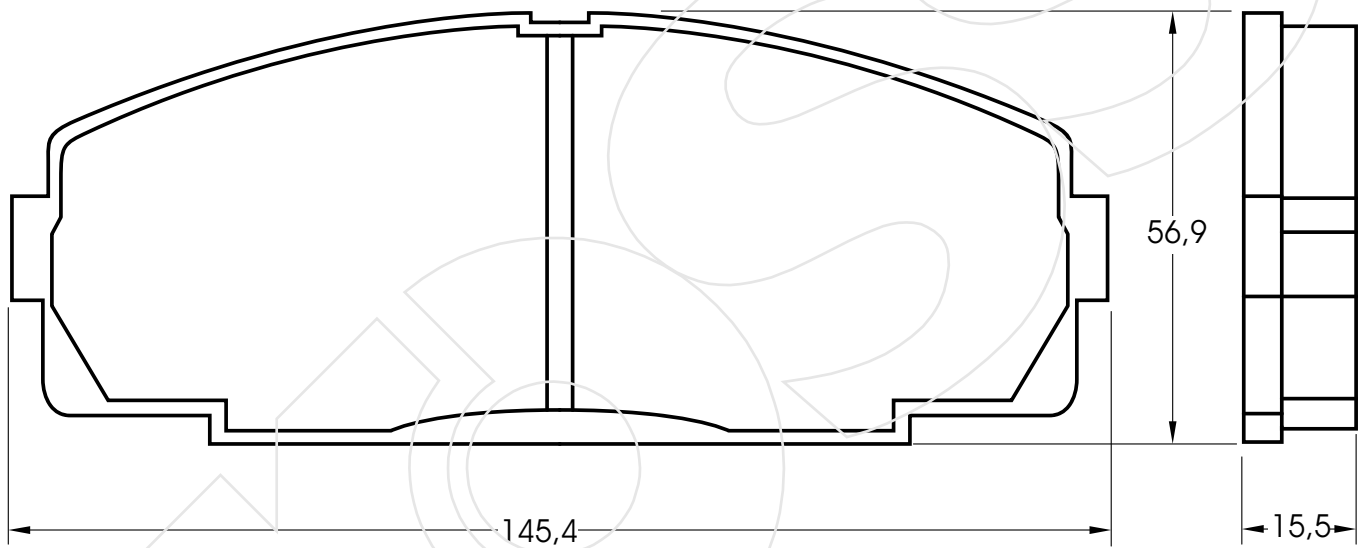
CODICE	IMPIANTO	ASSE	SCALA	APPLICAZIONI
<b>R-437</b>	AKEBONO	ANTERIORE	1:1	DAIHATSU
CODICE COMPONENTI	N°	L(mm)	SERIE	
M0069	2	*	2 PEZZI TIPO A	
M0072+M0073	2+2	*	2 PEZZI TIPO B	
*	*	*		
*	*	*		
CODICE ACCESSORI	N°	L(mm)	NOTE	
			*	
	*		*	
*	*		*	
*	*		*	



Reference in this Catalogue to other manufactures and to part numbers and other descriptions are for identification purposes only, because the above DISC BRAKE PADS are NOT ORIGINAL but with these interchangeable.

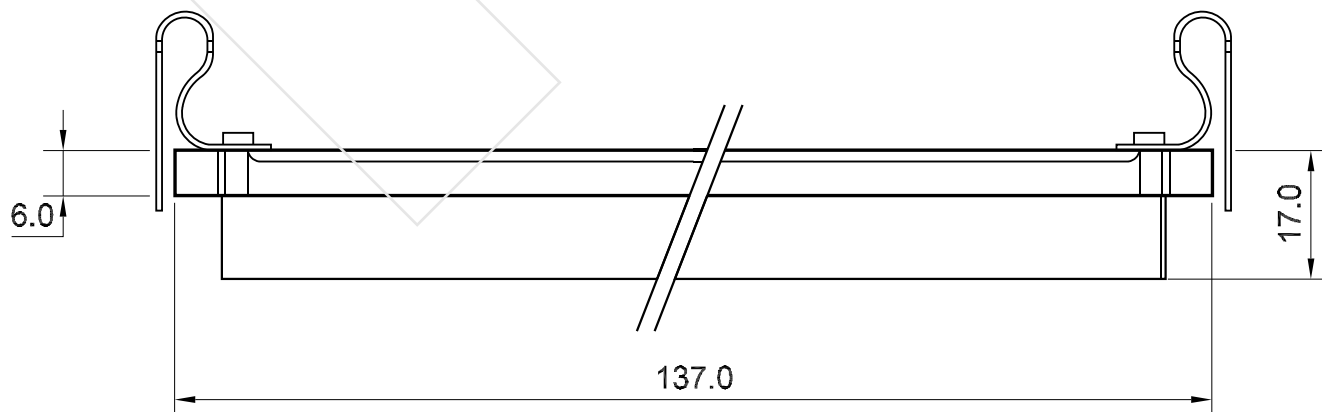
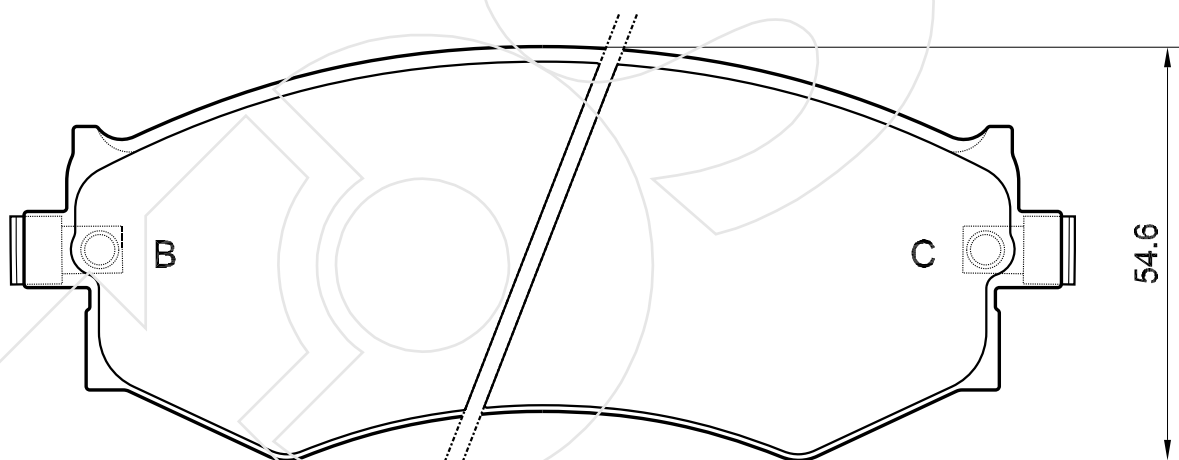
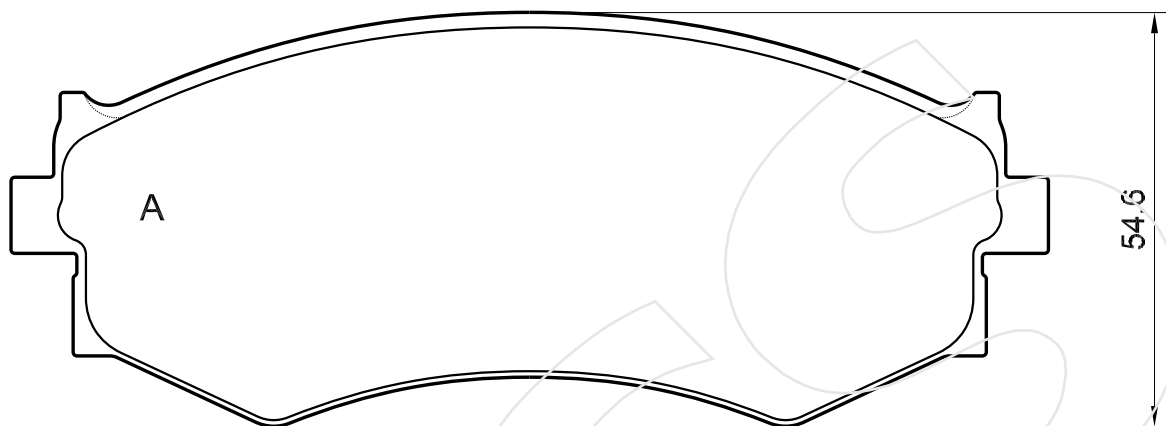


CODICE	IMPIANTO		ASSE	SCALA	APPLICAZIONI
<b>R-438</b>	AKEBONO		ANTERIORE	1:1	TOYOTA
CODICE COMPONENTI	N°	L(mm)	SERIE		
*	*	*	4 PEZZI		
*	*	*			
*	*	*			
*	*	*			
CODICE ACCESSORI	N°	L(mm)	NOTE		
*	*	*			
*	*	*			
*	*	*			
*	*	*			



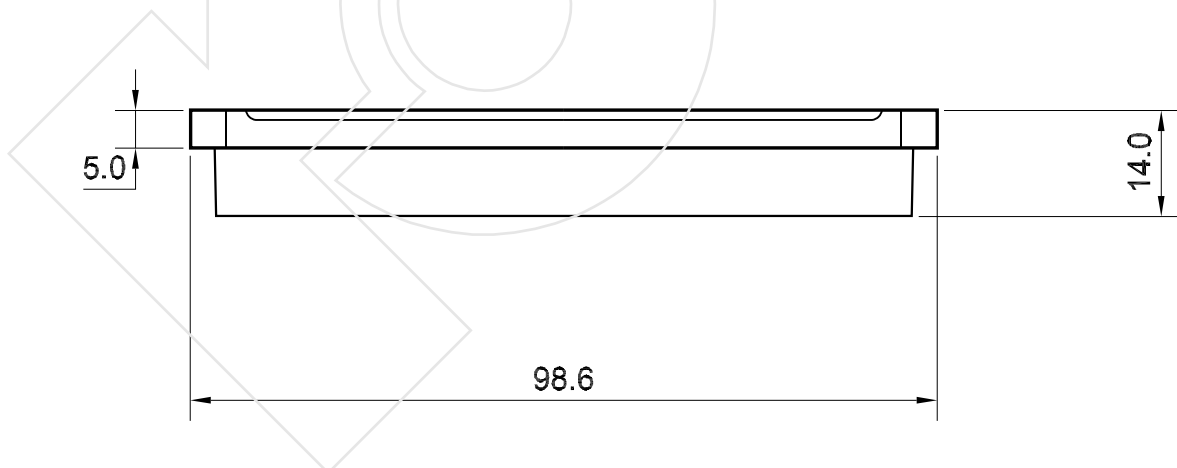
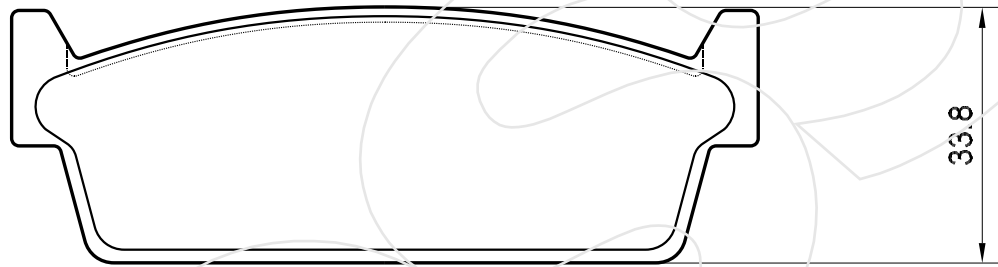
Reference in this Catalogue to other manufactures and to part numbers and other descriptions are for identification purposes only, because the above DISC BRAKE PADS are NOT ORIGINAL but with these interchangeable.

CODICE	IMPIANTO		ASSE	SCALA	APPLICAZIONI
<b>R-439</b>	SUMITOMO		ANTERIORE	100%	HYUNDAI DATSUN NISSAN
CODICE COMPONENTI	N°	L(mm)	SERIE		
*	*	*	2 PEZZI TIPO A		
M0074	1	*	1 PEZZO TIPO B		
M0074	1	*	1 PEZZO TIPO C		
*	*	*	*		
CODICE ACCESSORI	N°	L(mm)	NOTE		
*	*	*			
*	*	*			
*	*	*			
*	*	*			



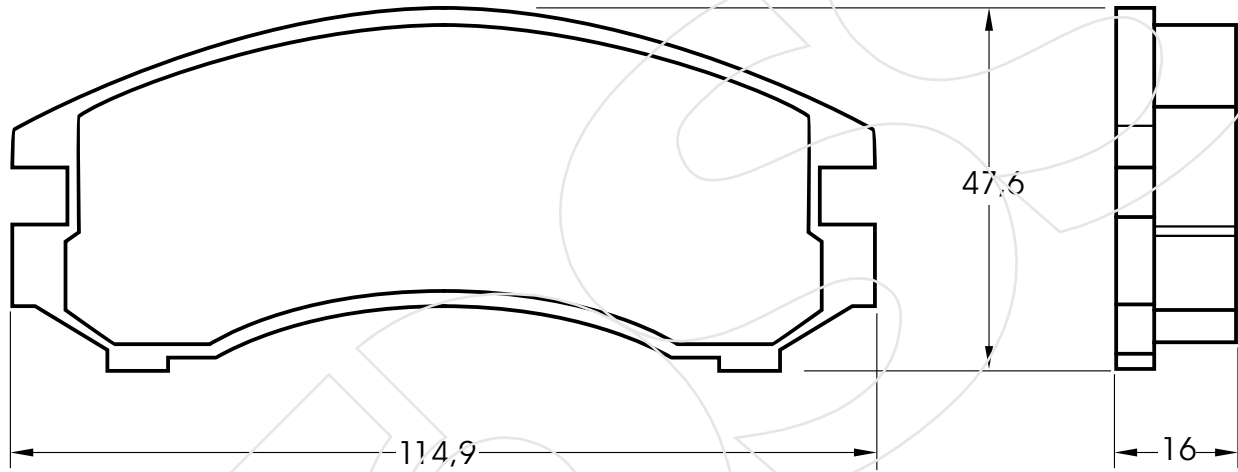
Reference in this Catalogue to other manufactures and to part numbers and other descriptions are for identification purposes only, because the above DISC BRAKE PADS are NOT ORIGINAL but with these interchangeable.

CODICE	IMPIANTO		ASSE	SCALA	APPLICAZIONI
<b>R-440</b>	SUMITOMO		POSTERIORE	100%	NISSAN DATSUN
CODICE COMPONENTI	N°	L(mm)	SERIE		
*	*	*	4 PEZZI		
*	*	*	*		
*	*	*	*		
*	*	*	*		
*	*	*	*		
CODICE ACCESSORI	N°	L(mm)	NOTE		
*	*	*			
*	*	*			
*	*	*			
*	*	*			



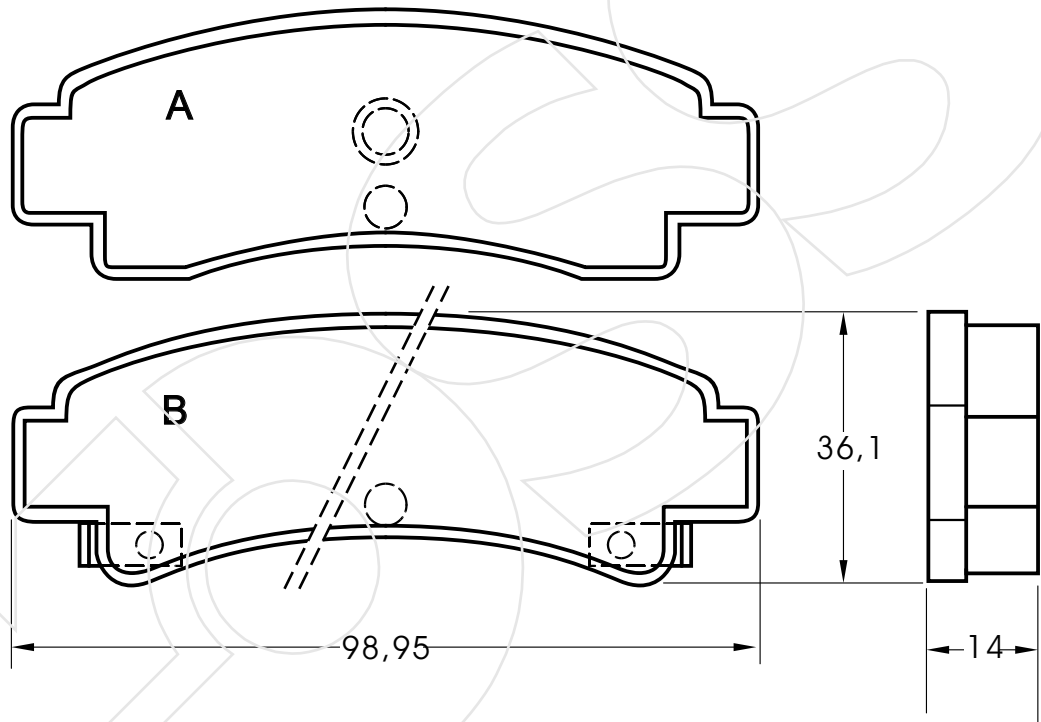
Reference in this Catalogue to other manufactures and to part numbers and other descriptions are for identification purposes only, because the above DISC BRAKE PADS are NOT ORIGINAL but with these interchangeable.

CODICE	IMPIANTO		ASSE	SCALA	APPLICAZIONI
<b>R-441</b>	SUMITOMO		ANTERIORE	1:1	NISSAN-DATSUN
CODICE COMPONENTI	N°	L(mm)	SERIE		
*	*	*	4 PEZZI		
*	*	*			
*	*	*			
*	*	*			
CODICE ACCESSORI	N°	L(mm)	NOTE		
*	*	*			
*	*	*			
*	*	*			



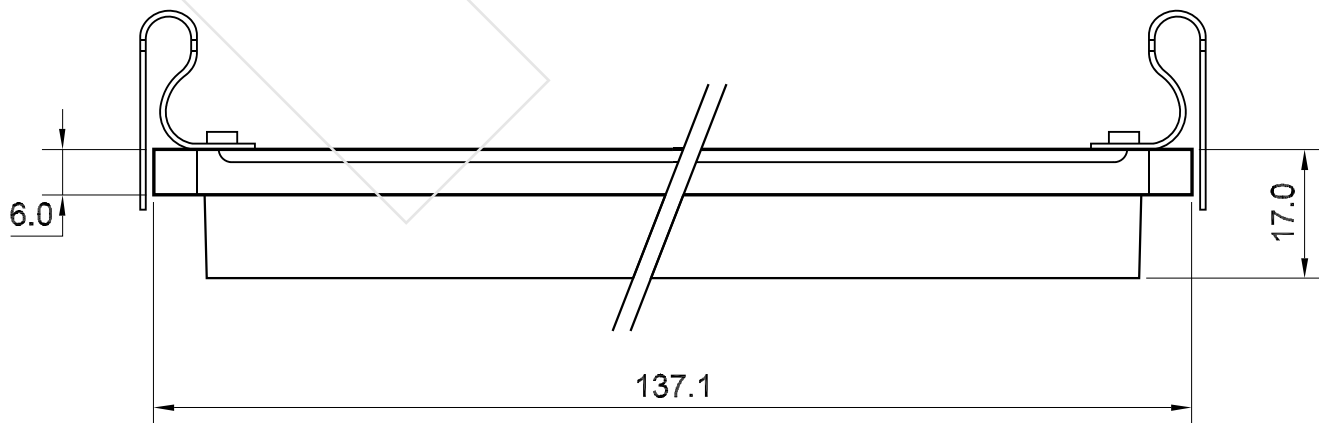
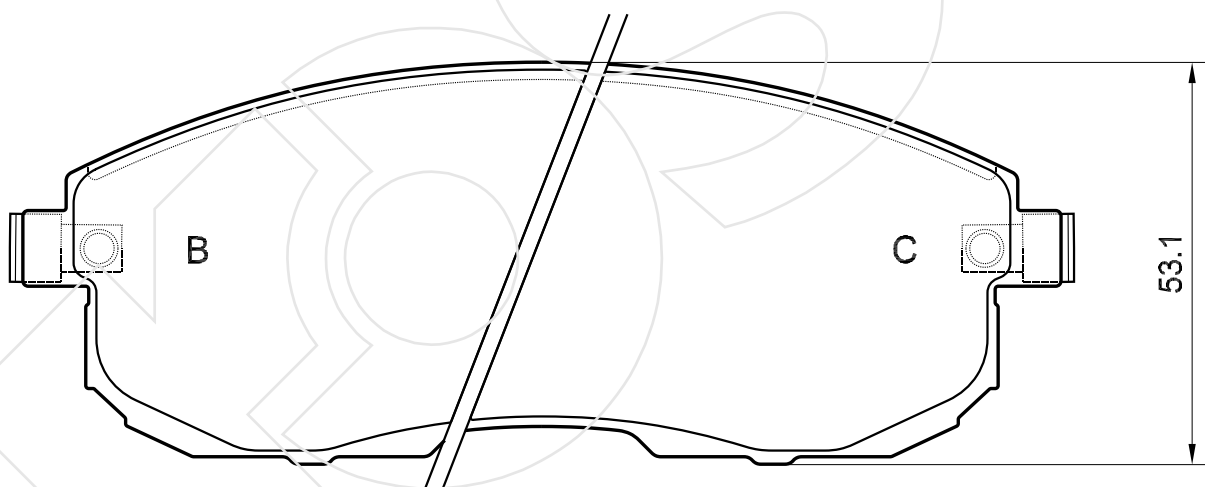
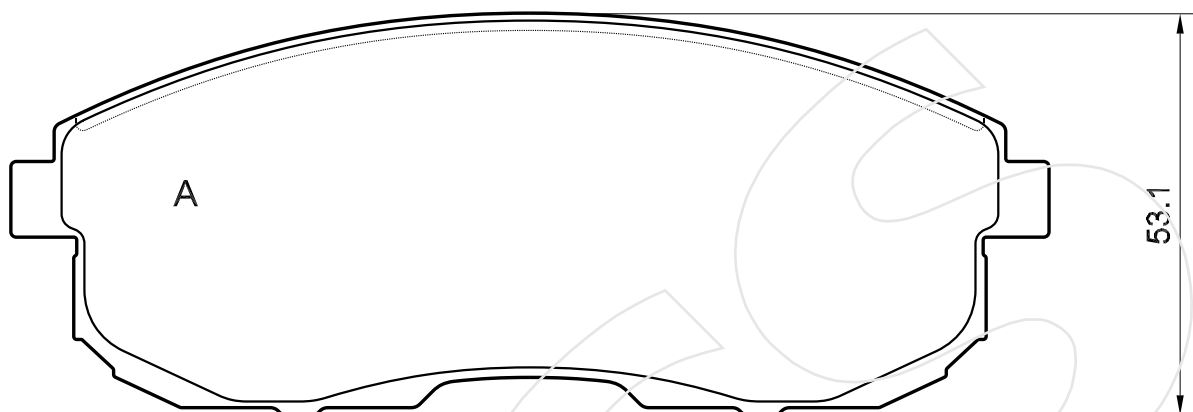
Reference in this Catalogue to other manufactures and to part numbers and other descriptions are for identification purposes only, because the above DISC BRAKE PADS are NOT ORIGINAL but with these interchangeable.

CODICE	IMPIANTO		ASSE	SCALA	APPLICAZIONI
<b>R-442</b>	AKEBONO		POSTERIORE	1:1	NISSAN-DATSUN
CODICE COMPONENTI	N°	L(mm)	SERIE		
*	*	*	2 PEZZI TIPO A		
M0069	2	*	2 PEZZI TIPO B		
*	*	*			
*	*	*			
*	*	*			
CODICE ACCESSORI	N°	L(mm)	NOTE		
			*		
	*		*		
*	*		*		
*	*		*		



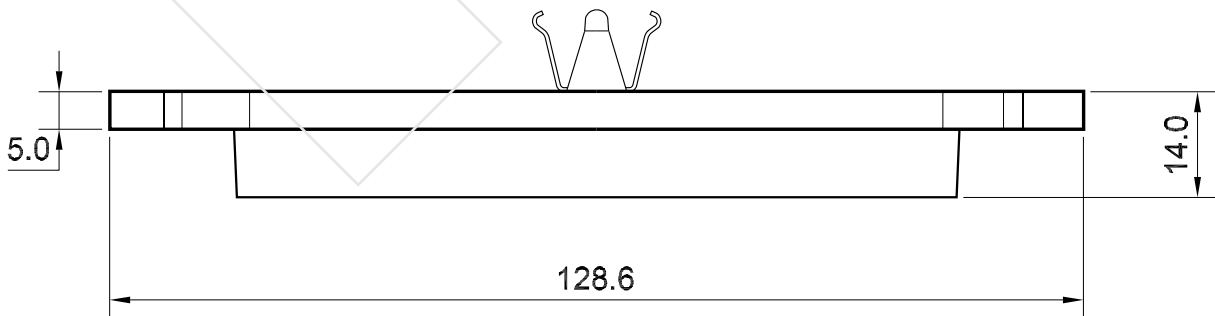
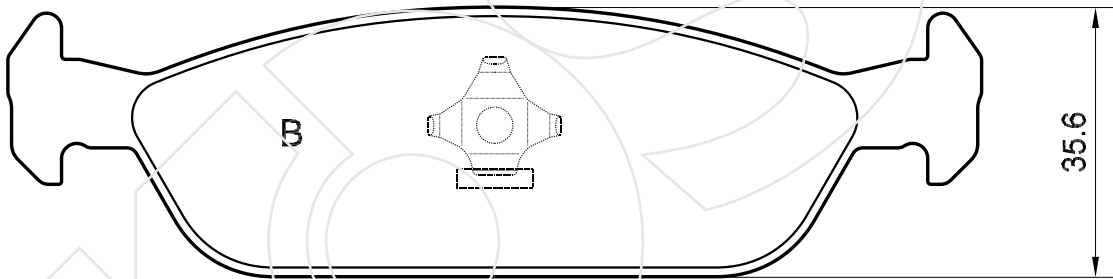
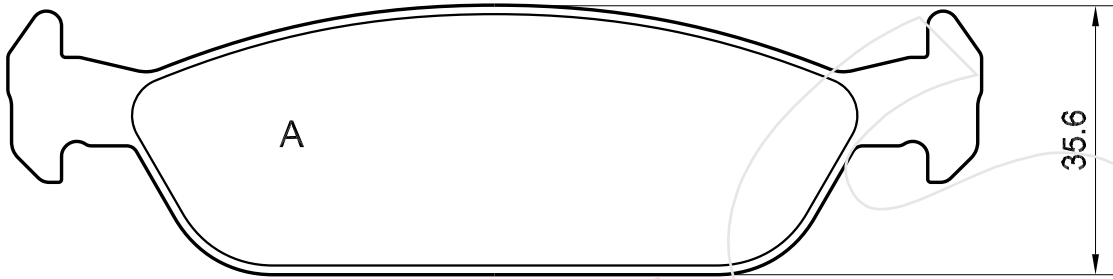
Reference in this Catalogue to other manufactures and to part numbers and other descriptions are for identification purposes only, because the above DISC BRAKE PADS are NOT ORIGINAL but with these interchangeable.

CODICE	IMPIANTO		ASSE	SCALA	APPLICAZIONI
<b>R-443</b>	SUMITOMO		ANTERIORE	100%	NISSAN DATSUN
CODICE COMPONENTI	N°	L(mm)	SERIE		
*	*	*	2 PEZZI TIPO A		
M0074	1	*	1 PEZZO TIPO B		
M0074	1	*	1 PEZZO TIPO C		
*	*	*	*		
CODICE ACCESSORI	N°	L(mm)	NOTE		
*	*	*			
*	*	*			
*	*	*			
*	*	*			



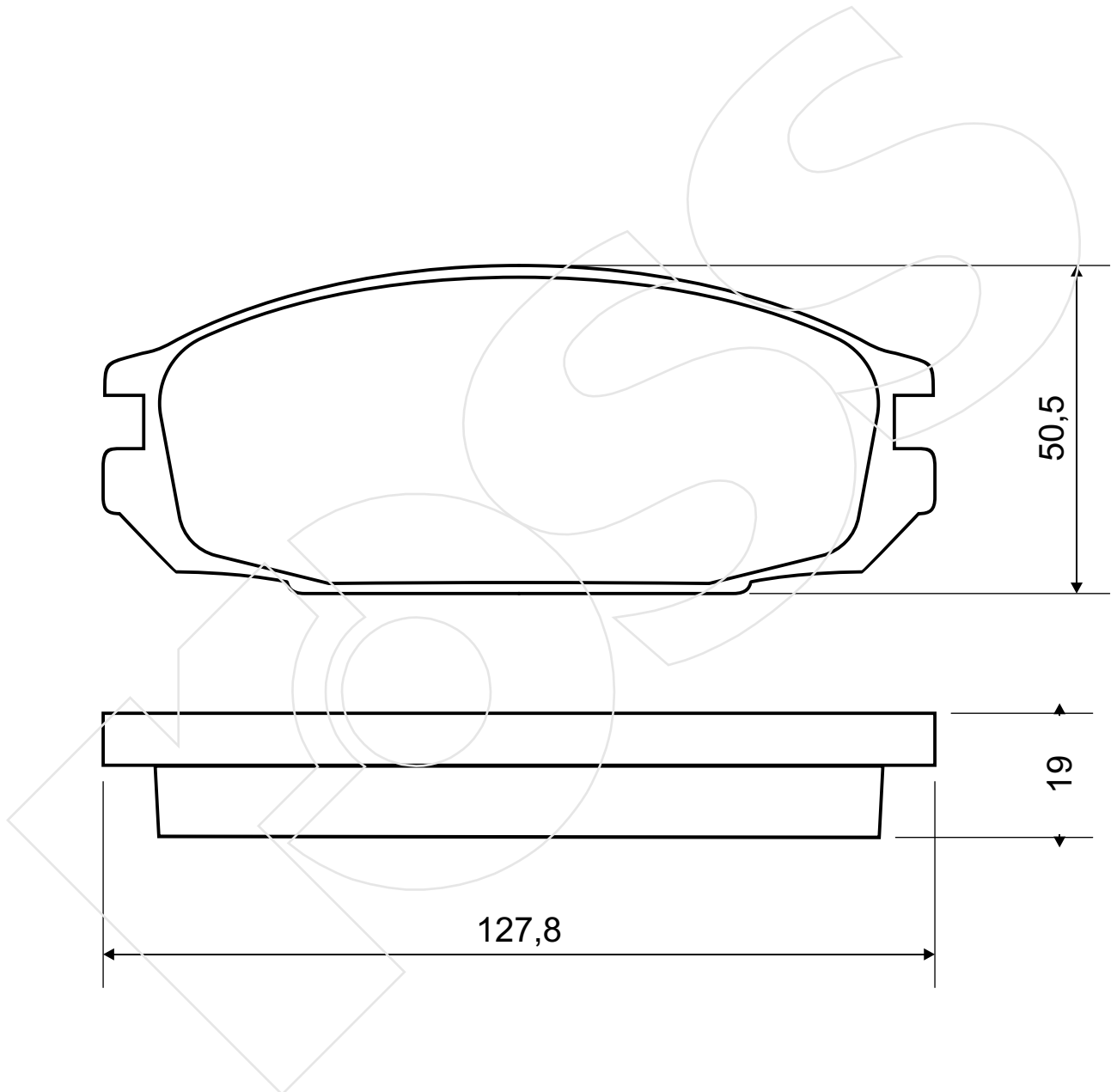
Reference in this Catalogue to other manufactures and to part numbers and other descriptions are for identification purposes only, because the above DISC BRAKE PADS are NOT ORIGINAL but with these interchangeable.

CODICE	IMPIANTO		ASSE	SCALA	APPLICAZIONI
<b>R-444</b>	AKEBONO		POSTERIORE	1:1	DAIHATSU
CODICE COMPONENTI	N°	L(mm)	SERIE		
*	*	*	2 PEZZI TIPO A		
M0075	2	*	2 PEZZI TIPO B		
*	*	*			
*	*	*			
CODICE ACCESSORI	N°	L(mm)	NOTE		
			*		
	*		*		
*	*		*		
*	*		*		



Reference in this Catalogue to other manufactures and to part numbers and other descriptions are for identification purposes only, because the above DISC BRAKE PADS are NOT ORIGINAL but with these interchangeable.

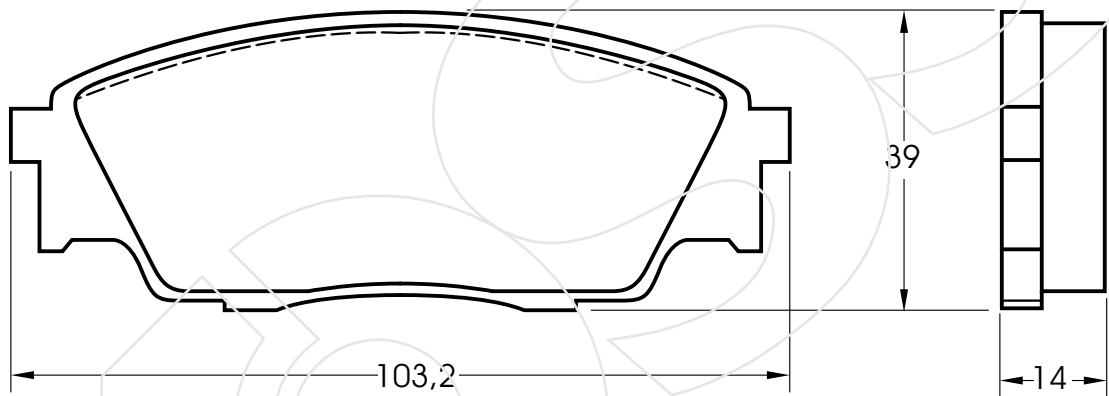
CODICE	IMPIANTO	ASSE	SCALA	APPLICAZIONI
<b>R-445</b>	AKEBONO	POSTERIORE	1:1	NISSAN-DATSUN
CODICE COMPONENTI	N°	L(mm)	SERIE	
*	*	*	4 PEZZI	
*	*	*		
*	*	*		
*	*	*		
CODICE ACCESSORI	N°	L(mm)	NOTE	
*	*	*		
*	*	*		
*	*	*		
*	*	*		



Reference in this Catalogue to other manufactures and to part numbers and other descriptions are for identification purposes only, because the above DISC BRAKE PADS are NOT ORIGINAL but with these interchangeable.

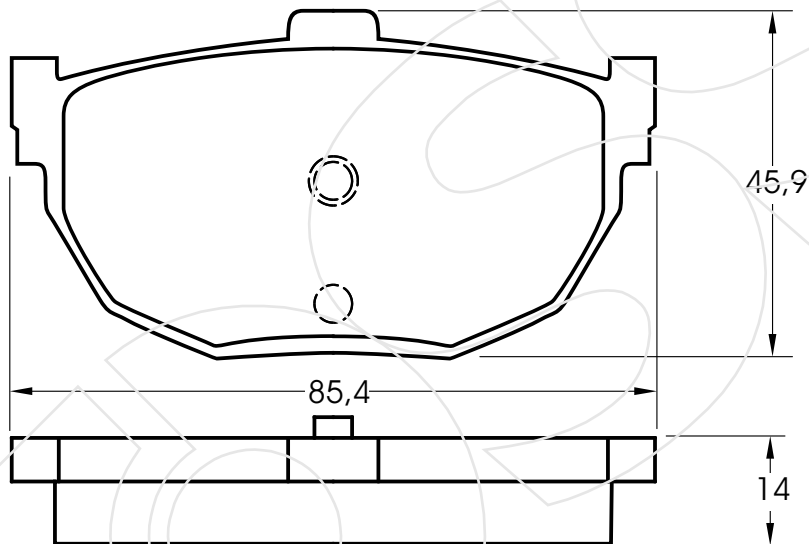


CODICE	IMPIANTO	ASSE	SCALA	APPLICAZIONI
<b>R-446</b>	AKEBONO	ANTERIORE	1:1	SUBARU
CODICE COMPONENTI	N°	L(mm)	SERIE	
*	*	*	4 PEZZI	
*	*	*		
*	*	*		
*	*	*		
CODICE ACCESSORI	N°	L(mm)	NOTE	
*	*	*		
*	*	*		
*	*	*		
*	*	*		



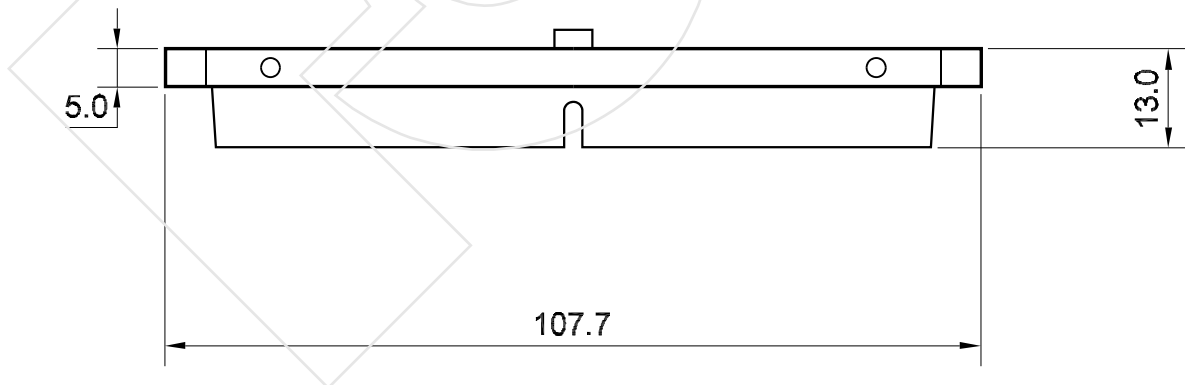
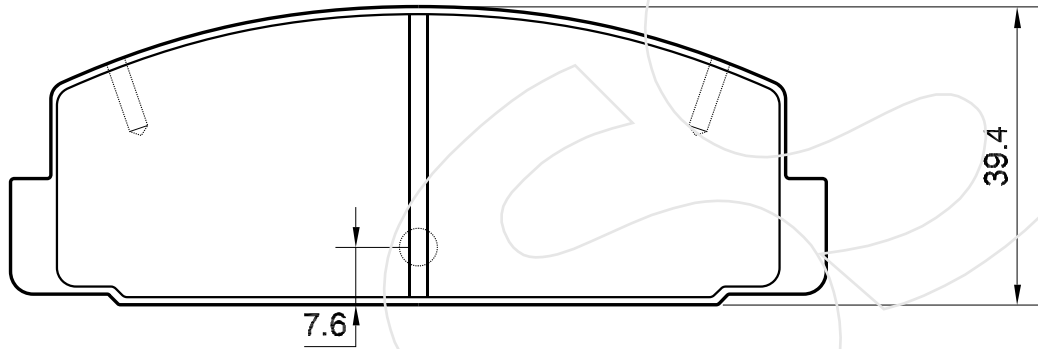
Reference in this Catalogue to other manufactures and to part numbers and other descriptions are for identification purposes only, because the above DISC BRAKE PADS are NOT ORIGINAL but with these interchangeable.

CODICE	IMPIANTO	ASSE	SCALA	APPLICAZIONI
<b>R-447</b>	SUMITOMO	POSTERIORE	1:1	NISSAN-DATSUN
CODICE COMPONENTI	N°	L(mm)	SERIE	
*	*	*	4 PEZZI	
*	*	*		
*	*	*		
*	*	*		
CODICE ACCESSORI	N°	L(mm)	NOTE	
*	*	*		
*	*	*		
*	*	*		
*	*	*		



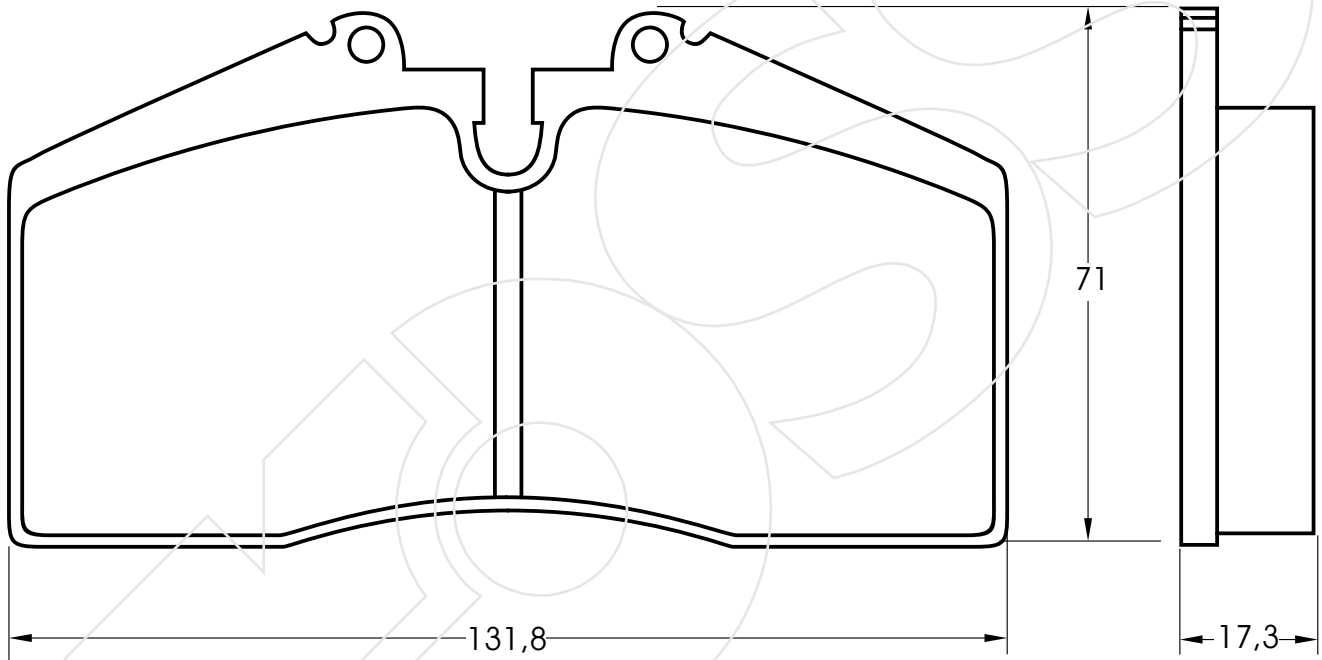
Reference in this Catalogue to other manufactures and to part numbers and other descriptions are for identification purposes only, because the above DISC BRAKE PADS are NOT ORIGINAL but with these interchangeable.

CODICE	IMPIANTO		ASSE	SCALA	APPLICAZIONI
<b>R-448</b>	ATE		POSTERIORE	100%	MAZDA
CODICE COMPONENTI	N°	L(mm)	SERIE		
*	*	*	4 PEZZI		
*	*	*	*		
*	*	*	*		
*	*	*	*		
CODICE ACCESSORI	N°	L(mm)	NOTE		
*	*	*			
*	*	*			
*	*	*			
*	*	*			



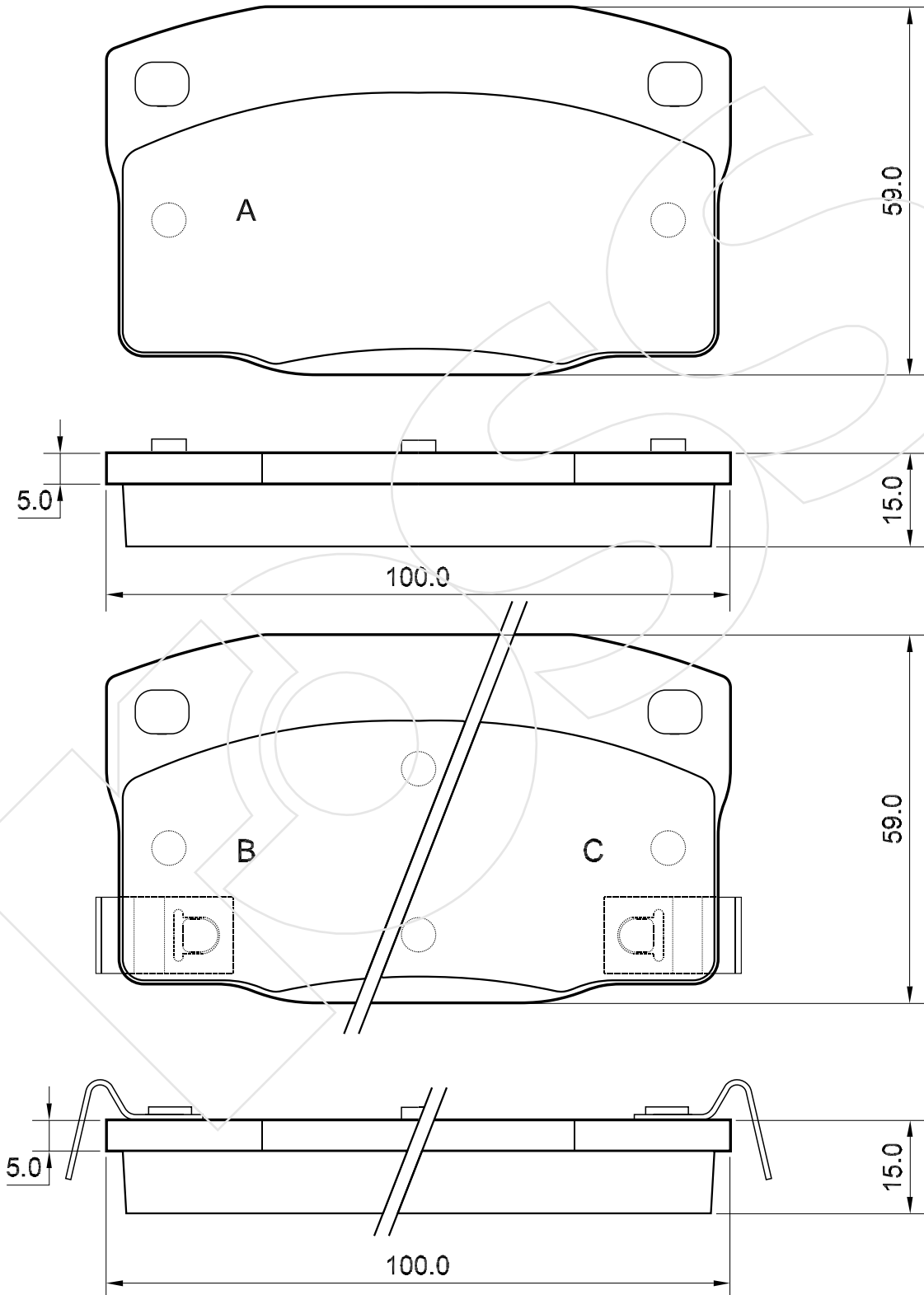
Reference in this Catalogue to other manufactures and to part numbers and other descriptions are for identification purposes only, because the above DISC BRAKE PADS are NOT ORIGINAL but with these interchangeable.

CODICE	IMPIANTO		ASSE	SCALA	APPLICAZIONI
<b>R-449</b>	ATE		ANTERIORE/POSTERIORE	1:1	PORSCHE
CODICE COMPONENTI	N°	L(mm)	SERIE		
*	*	*	4 PEZZI		
*	*	*			
*	*	*			
*	*	*			
CODICE ACCESSORI	N°	L(mm)	NOTE		
*	*	*			
*	*	*			
*	*	*			
*	*	*			



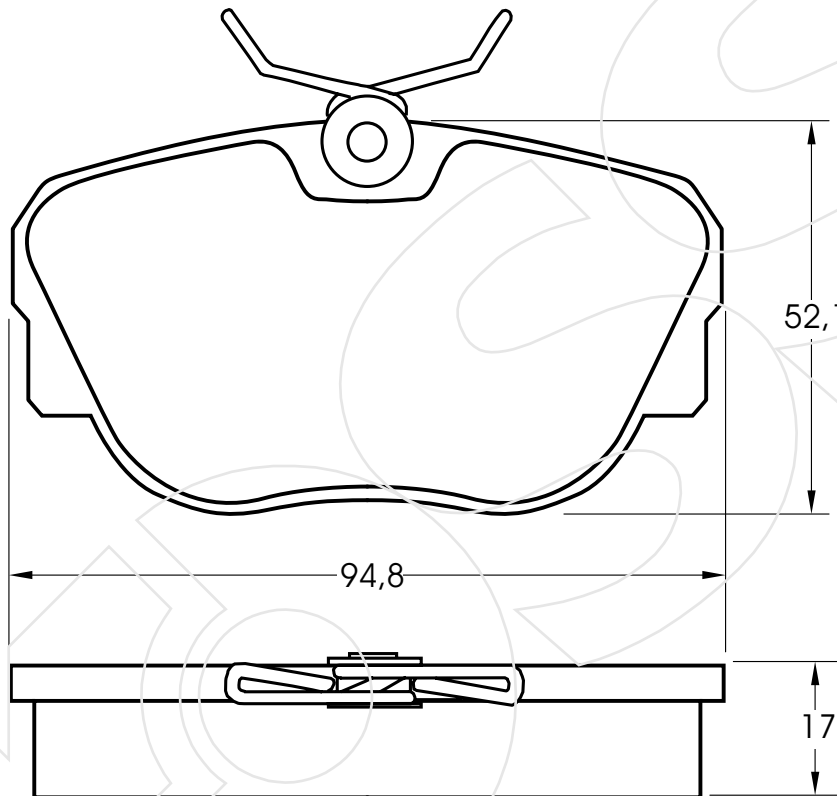
Reference in this Catalogue to other manufactures and to part numbers and other descriptions are for identification purposes only, because the above DISC BRAKE PADS are NOT ORIGINAL but with these interchangeable.

CODICE	IMPIANTO		ASSE	SCALA	APPLICAZIONI
<b>R-450</b>	DELCO		ANTERIORE	100%	OPEL DAEWOO
CODICE COMPONENTI	N°	L(mm)	SERIE		
*	*	*	2 PEZZI TIPO A		
M0076	1	*	1 PEZZO TIPO B		
M0076	1	*	1 PEZZO TIPO C		
*	*	*	*		
CODICE ACCESSORI	N°	L(mm)	NOTE		
*	*	*			
*	*	*			
*	*	*			
*	*	*			



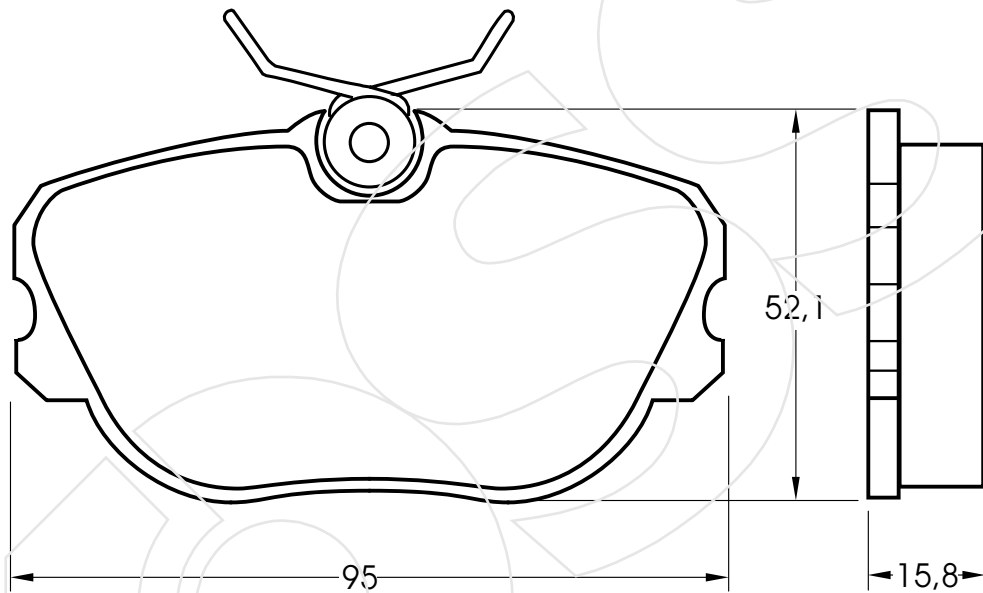
Reference in this Catalogue to other manufactures and to part numbers and other descriptions are for identification purposes only, because the above DISC BRAKE PADS are NOT ORIGINAL but with these interchangeable.

CODICE	IMPIANTO		ASSE	SCALA	APPLICAZIONI
<b>R-451</b>	GIRLING		ANTERIORE	1:1	BMW
CODICE COMPONENTI	N°	L(mm)	SERIE		
M0015+P1004	4+4	*	4 PEZZI		
*	*	*			
*	*	*			
*	*	*			
CODICE ACCESSORI	N°	L(mm)	NOTE		
*	*	*			
*	*	*			
*	*	*			
*	*	*			



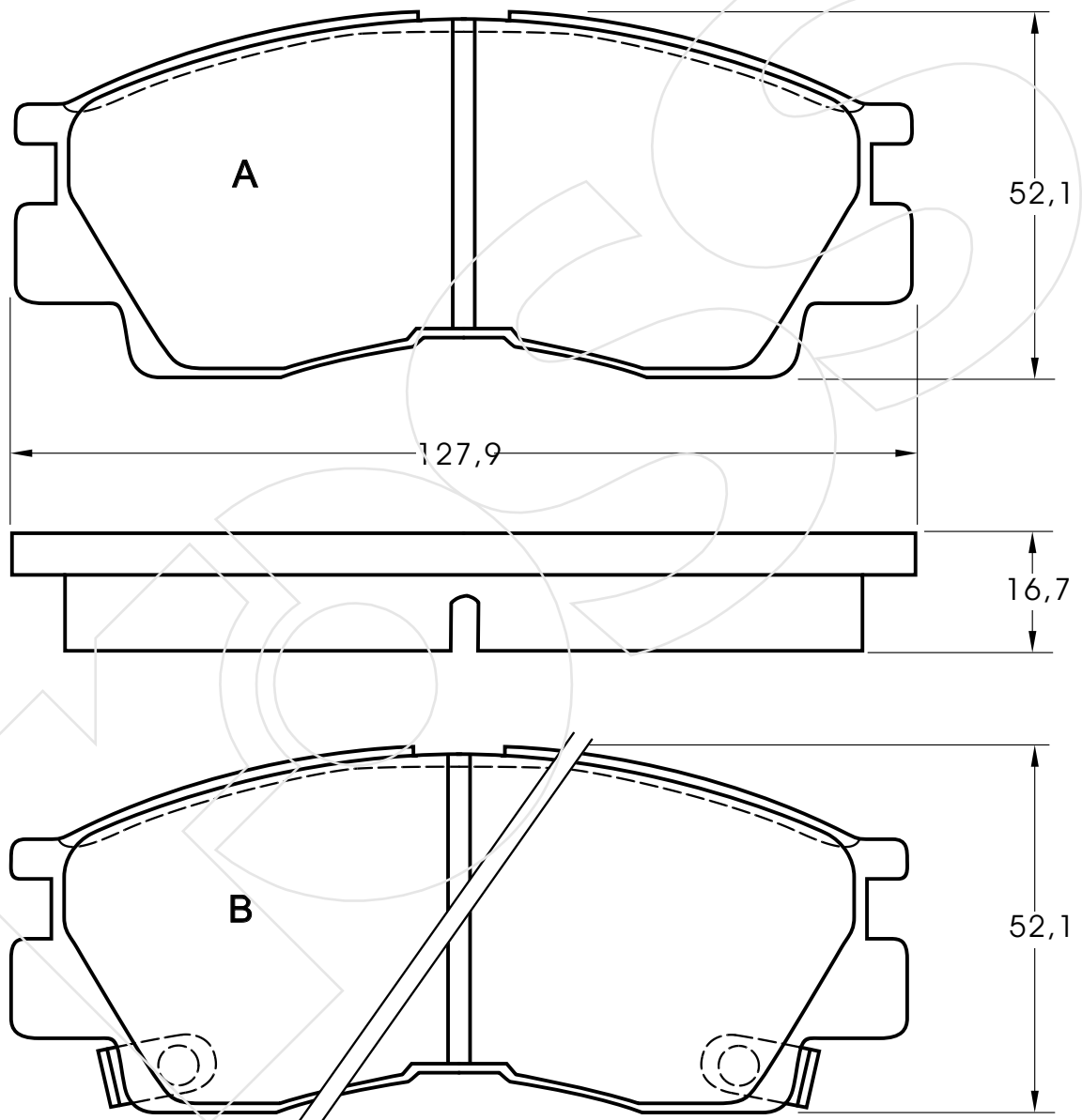
Reference in this Catalogue to other manufactures and to part numbers and other descriptions are for identification purposes only, because the above DISC BRAKE PADS are NOT ORIGINAL but with these interchangeable.

CODICE	IMPIANTO		ASSE	SCALA	APPLICAZIONI
<b>R-452</b>	GIRLING		ANTERIORE	1:1	VOLVO
CODICE COMPONENTI	N°	L(mm)	SERIE		
M0015+P1004	4+4	*	4 PEZZI		
*	*	*			
*	*	*			
*	*	*			
*	*	*			
CODICE ACCESSORI	N°	L(mm)	NOTE		
*	*	*			
*	*	*			
*	*	*			
*	*	*			



Reference in this Catalogue to other manufactures and to part numbers and other descriptions are for identification purposes only, because the above DISC BRAKE PADS are NOT ORIGINAL but with these interchangeable.

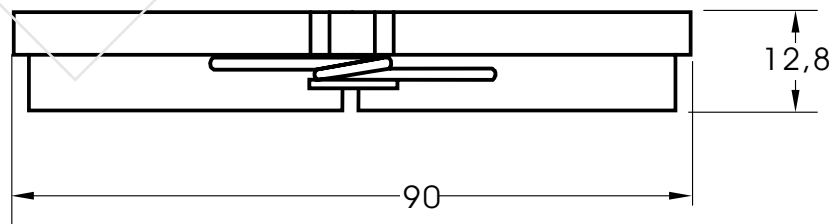
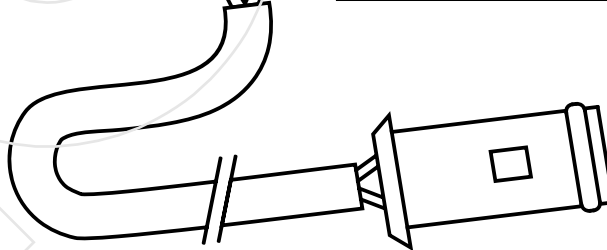
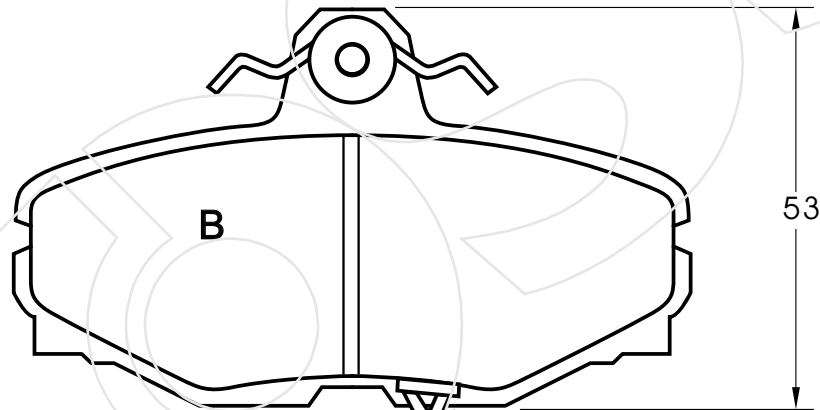
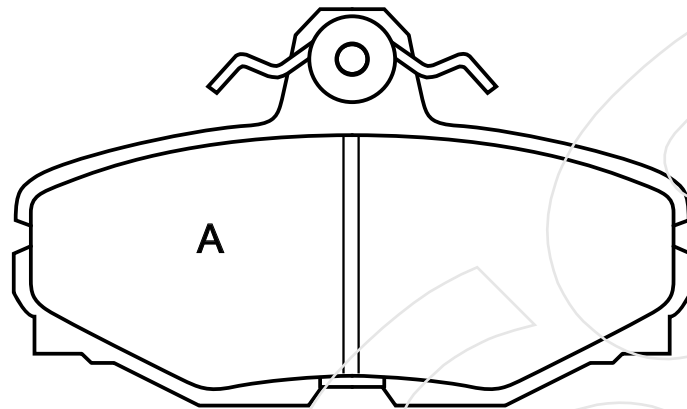
CODICE	IMPIANTO	ASSE	SCALA	APPLICAZIONI
<b>R-453</b>	SUMITOMO	ANTERIORE	1:1	MITSUBISHI
CODICE COMPONENTI	N°	L(mm)	SERIE	
*	*	*	2 PEZZI TIPO A	
M0116	2	*	2 PEZZI TIPO B	
*	*	*		
*	*	*		
CODICE ACCESSORI	N°	L(mm)	NOTE	
			*	
	*		*	
	*		*	
	*		*	



Reference in this Catalogue to other manufactures and to part numbers and other descriptions are for identification purposes only, because the above DISC BRAKE PADS are NOT ORIGINAL but with these interchangeable.

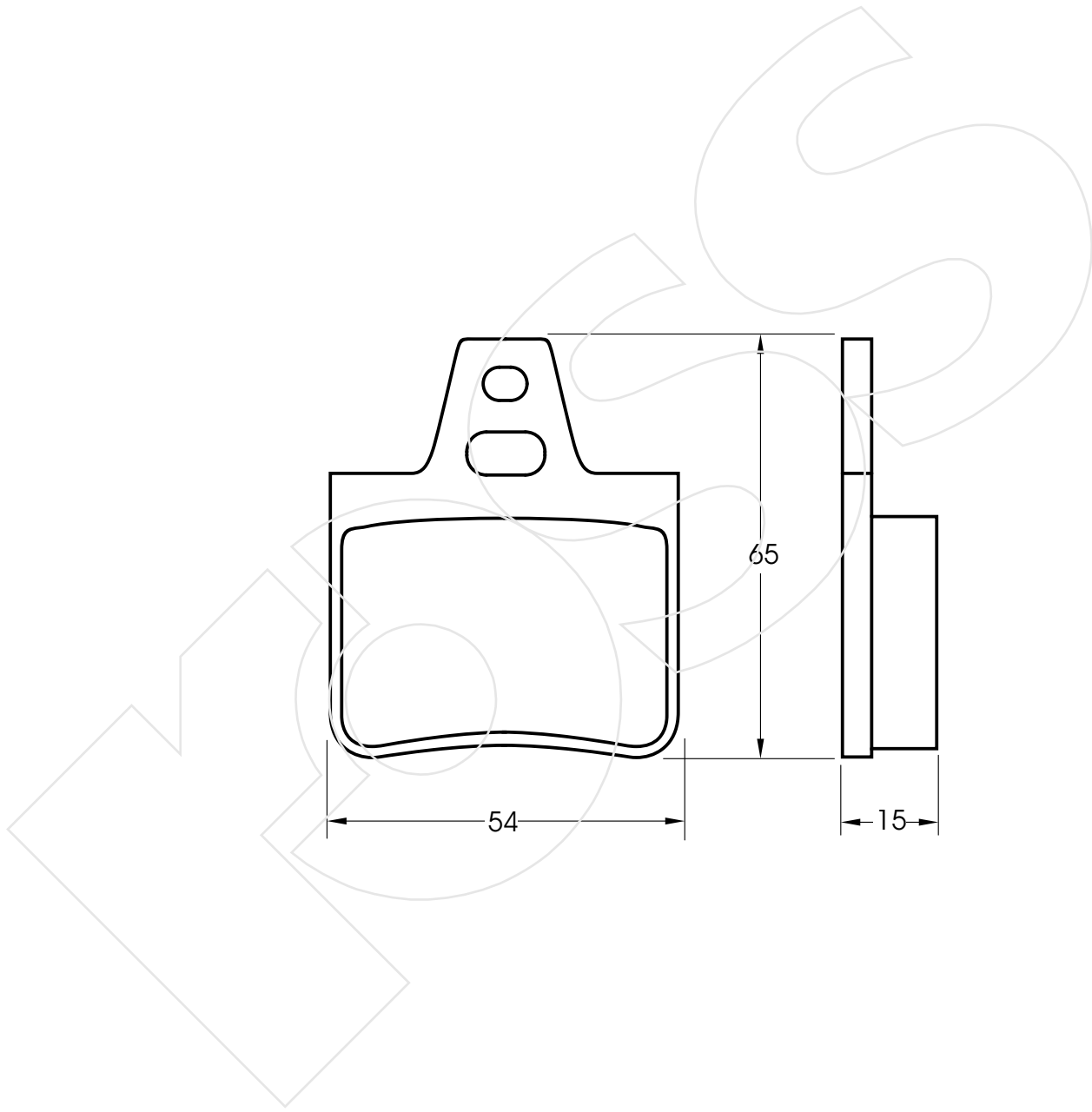


CODICE	IMPIANTO		ASSE	SCALA	APPLICAZIONI
<b>R-454</b>	GIRLING		POSTERIORE	1:1	JAGUAR
CODICE COMPONENTI	N°	L(mm)	SERIE		
M0030+P1011	2+2	*	2 PEZZI TIPO A		
M0030+P1011+F3030	2+2+2	430	2 PEZZI TIPO B		
*	*	*			
*	*	*			
CODICE ACCESSORI	N°	L(mm)	NOTE		
			*		
	*		*		
*	*		*		
*	*		*		



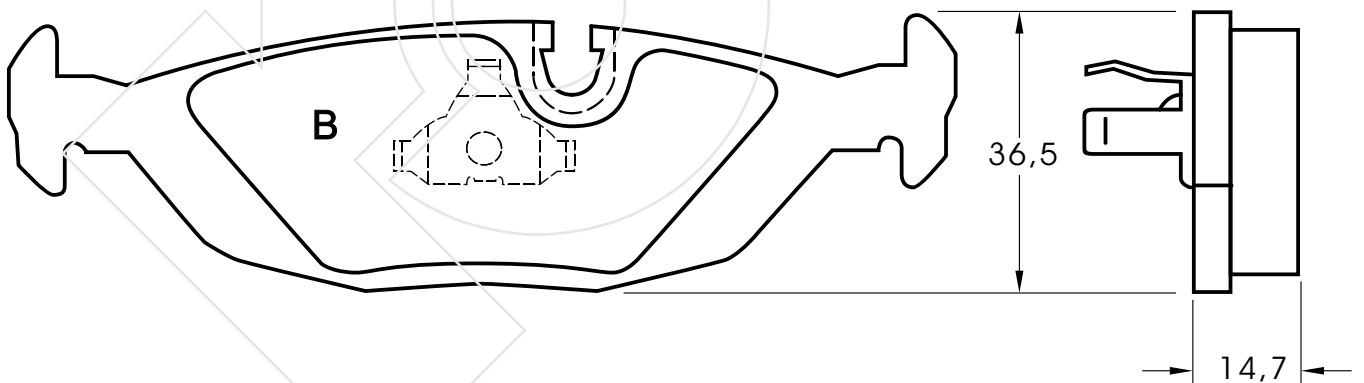
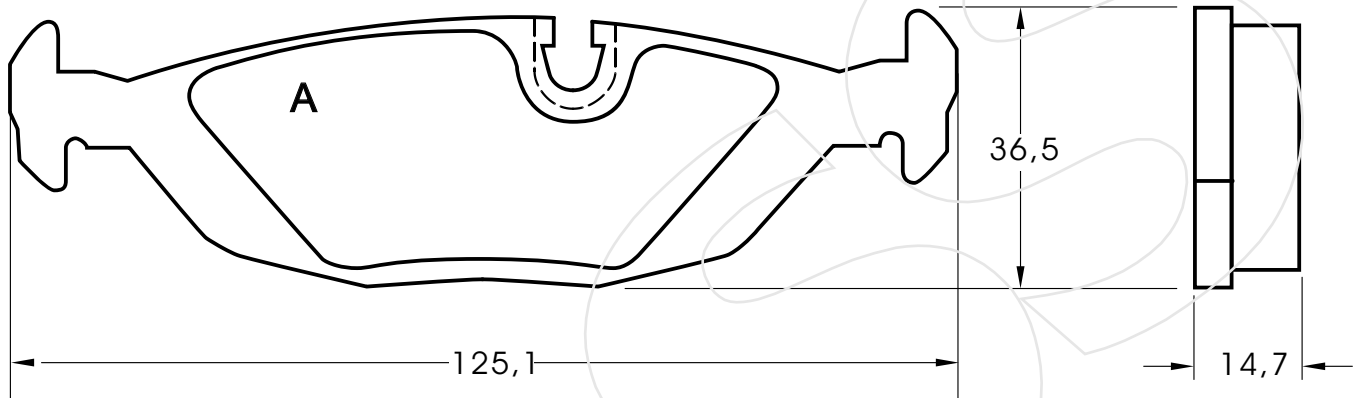
Reference in this Catalogue to other manufactures and to part numbers and other descriptions are for identification purposes only, because the above DISC BRAKE PADS are NOT ORIGINAL but with these interchangeable.

CODICE	IMPIANTO		ASSE	SCALA	APPLICAZIONI
<b>R-455</b>	CITROEN		POSTERIORE	1:1	CITROEN
CODICE COMPONENTI	N°	L(mm)	SERIE		
*	*	*	4 PEZZI		
*	*	*			
*	*	*			
*	*	*			
CODICE ACCESSORI	N°	L(mm)	NOTE		
*	*	*			
*	*	*			
*	*	*			
*	*	*			



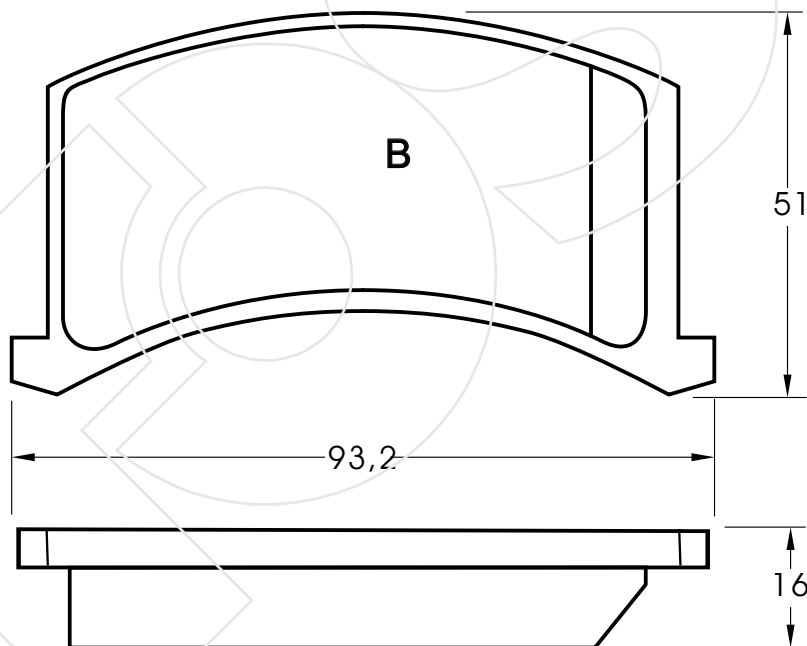
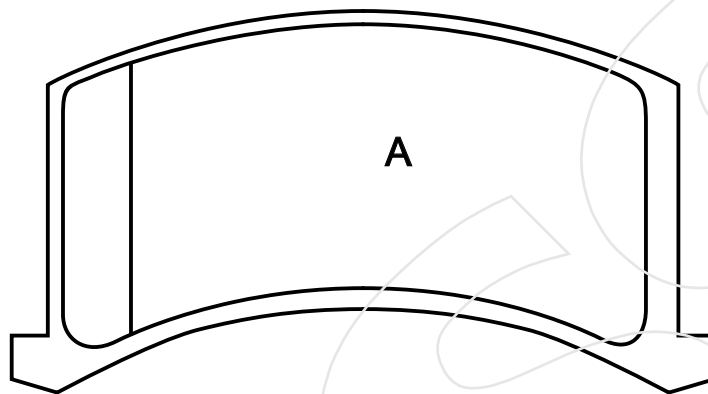
Reference in this Catalogue to other manufactures and to part numbers and other descriptions are for identification purposes only, because the above DISC BRAKE PADS are NOT ORIGINAL but with these interchangeable.

CODICE	IMPIANTO		ASSE	SCALA	APPLICAZIONI
<b>R-456</b>	ATE		POSTERIORE	1:1	SAAB VOLVO
CODICE COMPONENTI	N°	L(mm)	SERIE		
*	*	*	2 PEZZI TIPO A		
M0016+P1002	2+2	*	2 PEZZI TIPO B		
*	*	*			
*	*	*			
CODICE ACCESSORI	N°	L(mm)	NOTE		
			*		
	*		*		
*	*		*		
*	*		*		



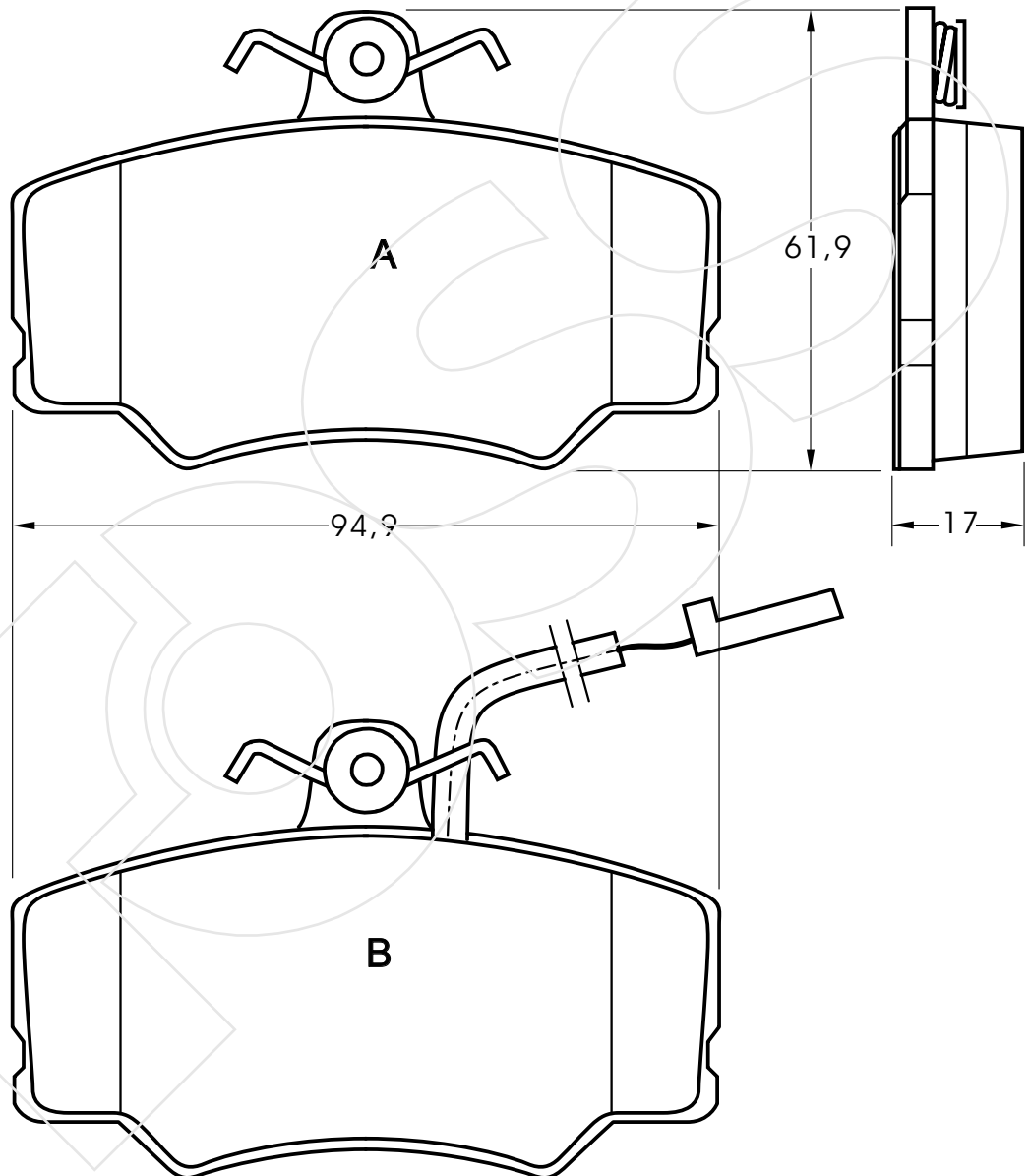
Reference in this Catalogue to other manufactures and to part numbers and other descriptions are for identification purposes only, because the above DISC BRAKE PADS are NOT ORIGINAL but with these interchangeable.

CODICE	IMPIANTO		ASSE	SCALA	APPLICAZIONI
<b>R-457</b>	*		ANTERIORE	1:1	LADA
CODICE COMPONENTI	N°	L(mm)	SERIE		
*	*	*	2 PEZZI TIPO A		
*	*	*	2 PEZZI TIPO B		
*	*	*			
*	*	*			
CODICE ACCESSORI	N°	L(mm)	NOTE		
			*		
	*		*		
*	*		*		
*	*		*		



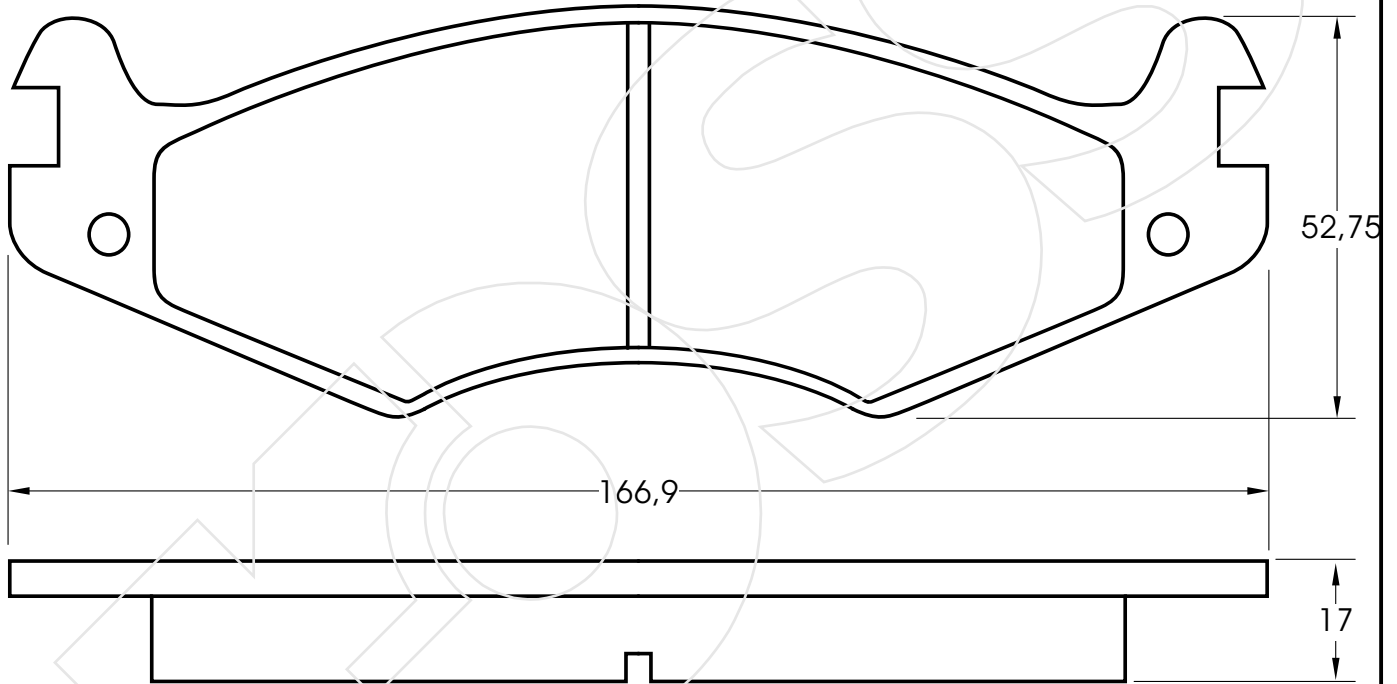
Reference in this Catalogue to other manufactures and to part numbers and other descriptions are for identification purposes only, because the above DISC BRAKE PADS are NOT ORIGINAL but with these interchangeable.

CODICE	IMPIANTO	ASSE	SCALA	APPLICAZIONI
<b>R-458</b>	GIRLING	ANTERIORE	1:1	ALFAROMEO
CODICE COMPONENTI	N°	L(mm)	SERIE	
M077+P1011	2+2	*	2 PEZZI TIPO A	
M077+P1011+F3033	2+2+2	900	2 PEZZI TIPO B	
*	*	*		
*	*	*		
CODICE ACCESSORI	N°	L(mm)	NOTE	
			*	
	*		*	
*	*		*	
*	*		*	



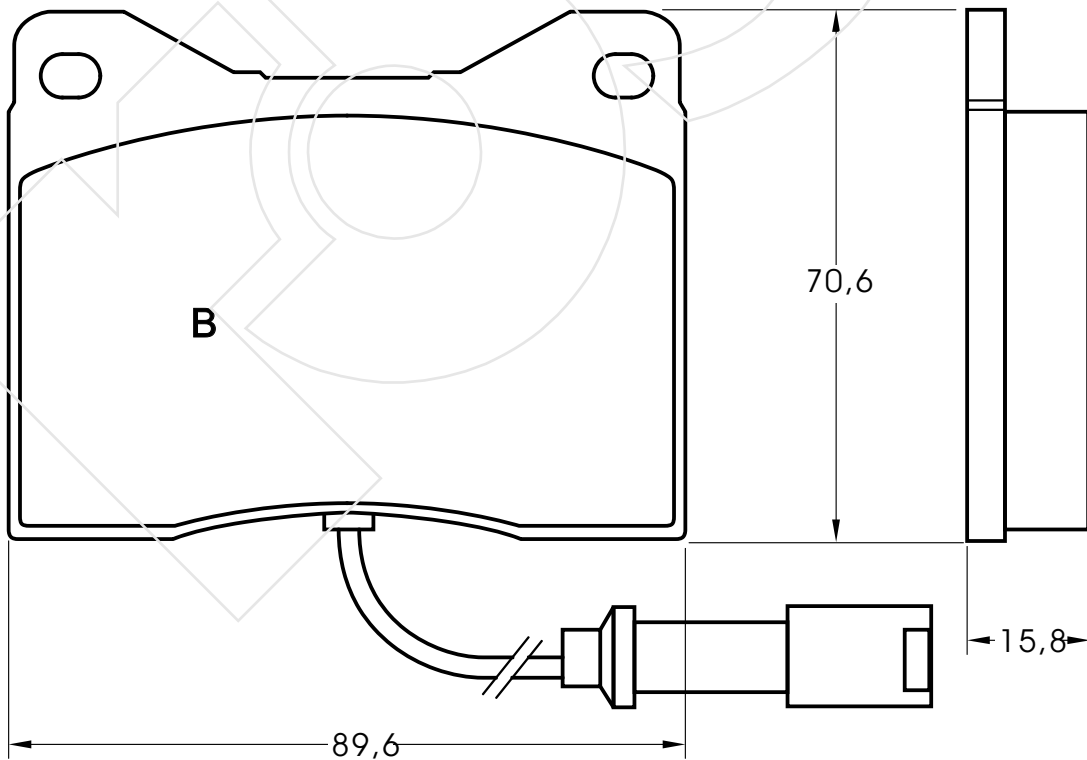
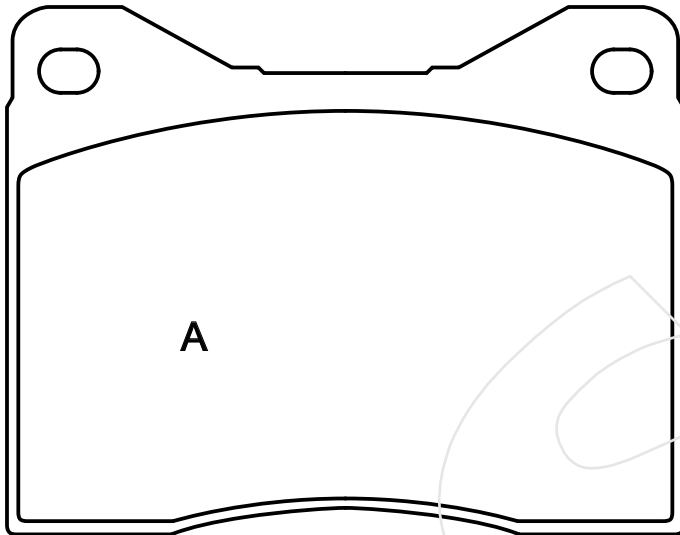
Reference in this Catalogue to other manufactures and to part numbers and other descriptions are for identification purposes only, because the above DISC BRAKE PADS are NOT ORIGINAL but with these interchangeable.

CODICE	IMPIANTO		ASSE	SCALA	APPLICAZIONI
<b>R-459</b>	BREMBO		ANTERIORE	1:1	RENAULT JEEP
CODICE COMPONENTI	N°	L(mm)	SERIE		
*	*	*	4 PEZZI		
*	*	*			
*	*	*			
*	*	*			
CODICE ACCESSORI	N°	L(mm)	NOTE		
*	*	*	*		
*	*	*	*		
*	*	*	*		
*	*	*	*		



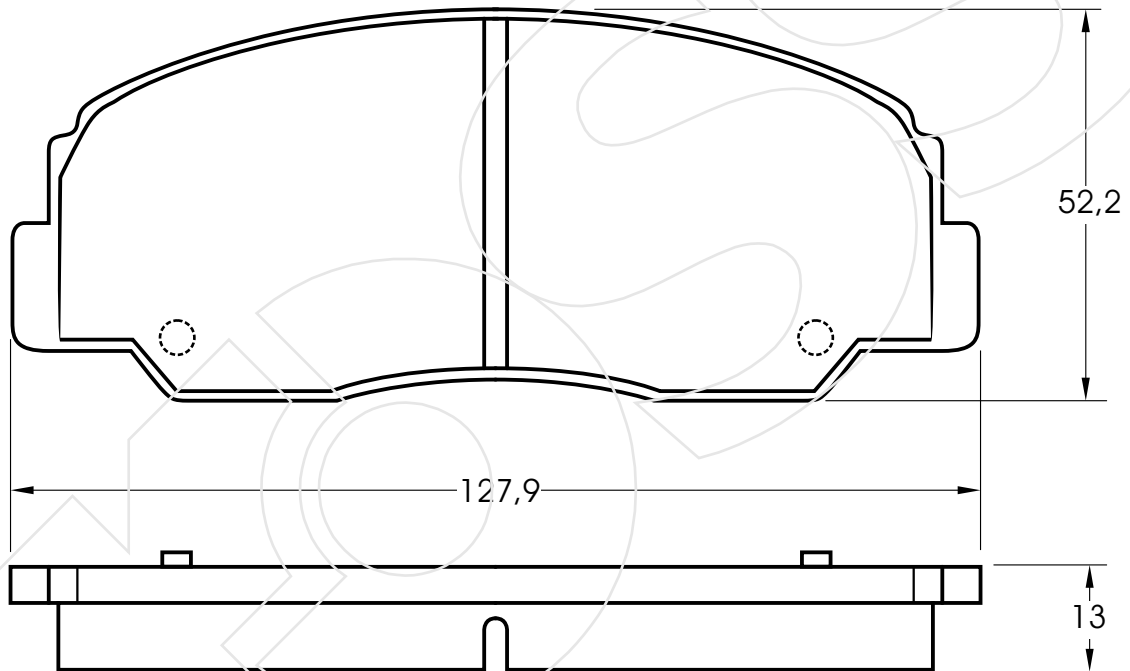
Reference in this Catalogue to other manufactures and to part numbers and other descriptions are for identification purposes only, because the above DISC BRAKE PADS are NOT ORIGINAL but with these interchangeable.

CODICE	IMPIANTO		ASSE	SCALA	APPLICAZIONI
<b>R-460</b>	ATE		ANTERIORE	1:1	FORD
CODICE COMPONENTI	N°	L(mm)	SERIE		
*	*	*	2 PEZZI TIPO A		
F3023	2	255	2 PEZZI TIPO B		
*	*	*			
*	*	*			
CODICE ACCESSORI	N°	L(mm)	NOTE		
			*		
	*		*		
*	*		*		
*	*		*		



Reference in this Catalogue to other manufactures and to part numbers and other descriptions are for identification purposes only, because the above DISC BRAKE PADS are NOT ORIGINAL but with these interchangeable.

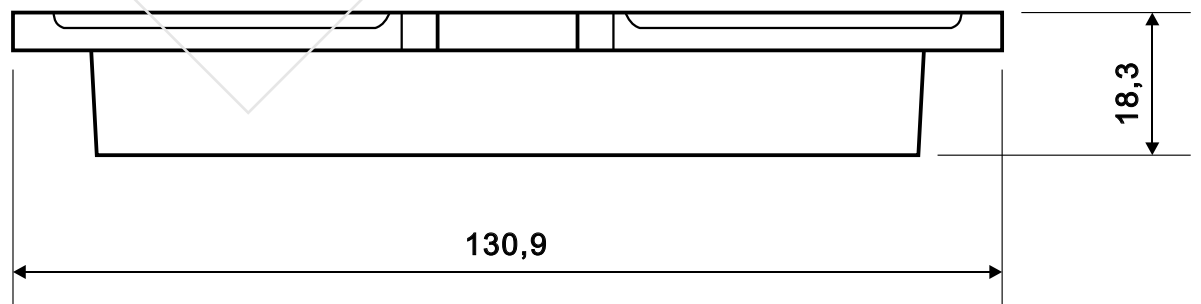
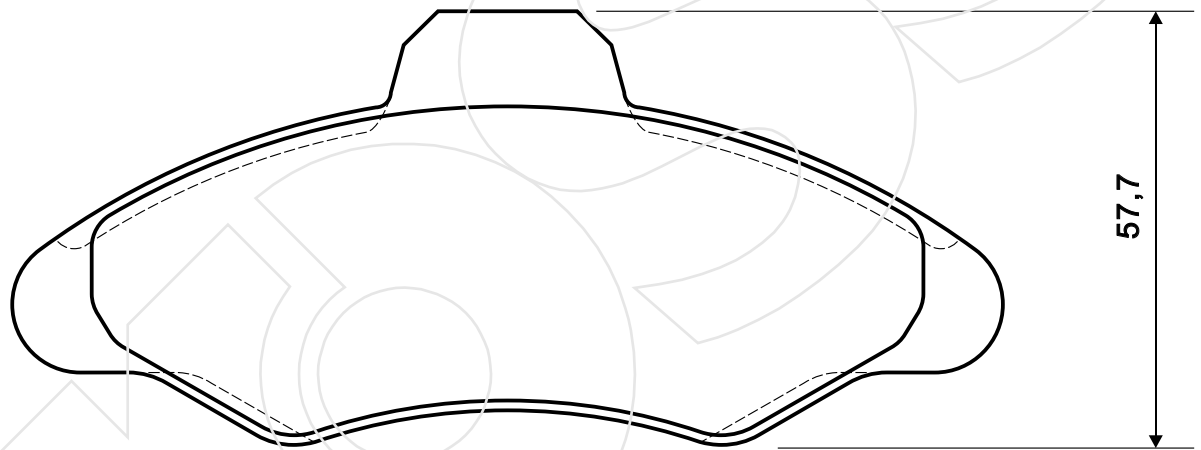
CODICE	IMPIANTO		ASSE	SCALA	APPLICAZIONI
<b>R-461</b>	AKEBONO		ANTERIORE	1:1	DAIHATSU
CODICE COMPONENTI	N°	L(mm)	SERIE		
*	*	*	4 PEZZI		
*	*	*			
*	*	*			
*	*	*			
CODICE ACCESSORI	N°	L(mm)	NOTE		
*	*	*			
*	*	*			
*	*	*			
*	*	*			



Reference in this Catalogue to other manufactures and to part numbers and other descriptions are for identification purposes only, because the above DISC BRAKE PADS are NOT ORIGINAL but with these interchangeable.

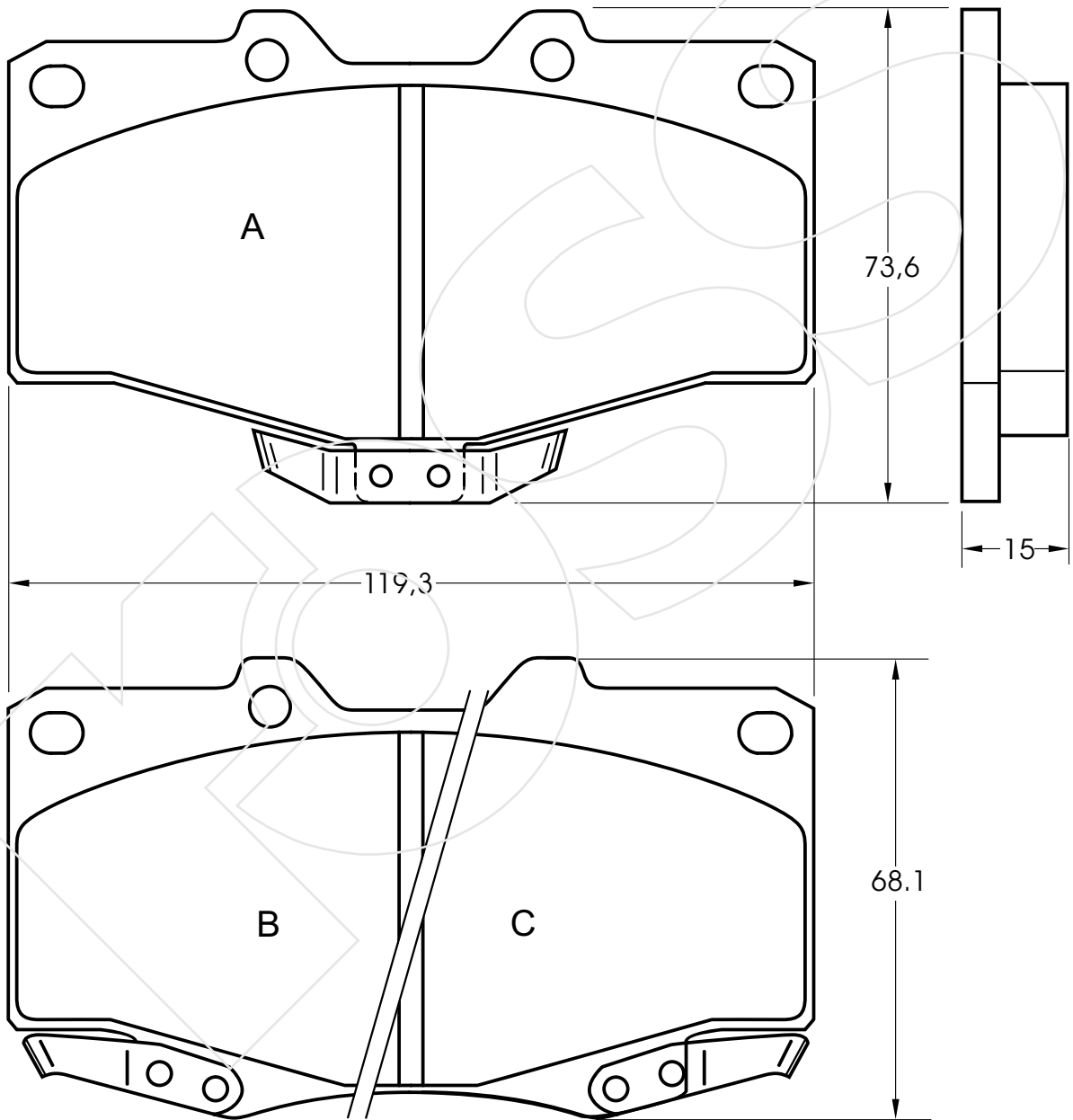


CODICE	IMPIANTO		ASSE	SCALA	APPLICAZIONI
<b>R-462</b>	BENDIX		ANTERIORE	1:1	FORD
CODICE COMPONENTI	N°	L(mm)	SERIE		
		*	4 PEZZI		
*	*				
CODICE ACCESSORI	N°	L(mm)	NOTE		
*	*				
*	*				
*	*				
*	*				



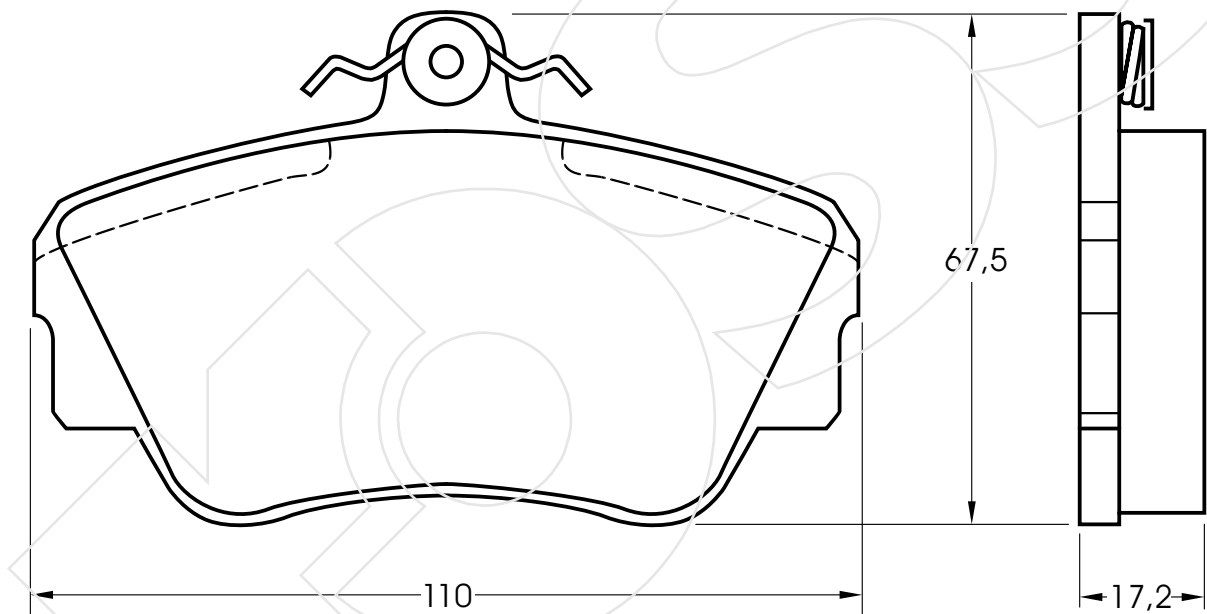
Reference in this Catalogue to other manufactures and to part numbers and other descriptions are for identification purposes only, because the above DISC BRAKE PADS are NOT ORIGINAL but with these interchangeable.

CODICE	IMPIANTO		ASSE	SCALA	APPLICAZIONI
<b>R-463</b>	SUMITOMO		ANTERIORE	1:1	TOYOTA VOLKSWAGEN
CODICE COMPONENTI	N°	L(mm)	SERIE		
M0078	2	*	2 PEZZI TIPO A		
M0079	1	*	1 PEZZO TIPO B		
M0080	1	*	1 PEZZO TIPO C		
*	*	*			
CODICE ACCESSORI	N°	L(mm)	NOTE		
*	*	*			
*	*	*			
*	*	*			
*	*	*			



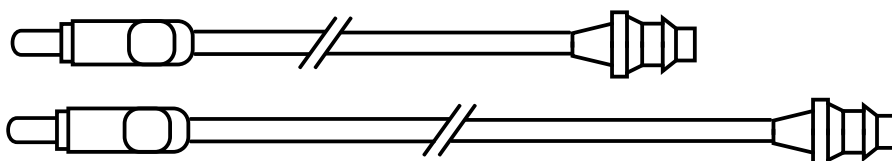
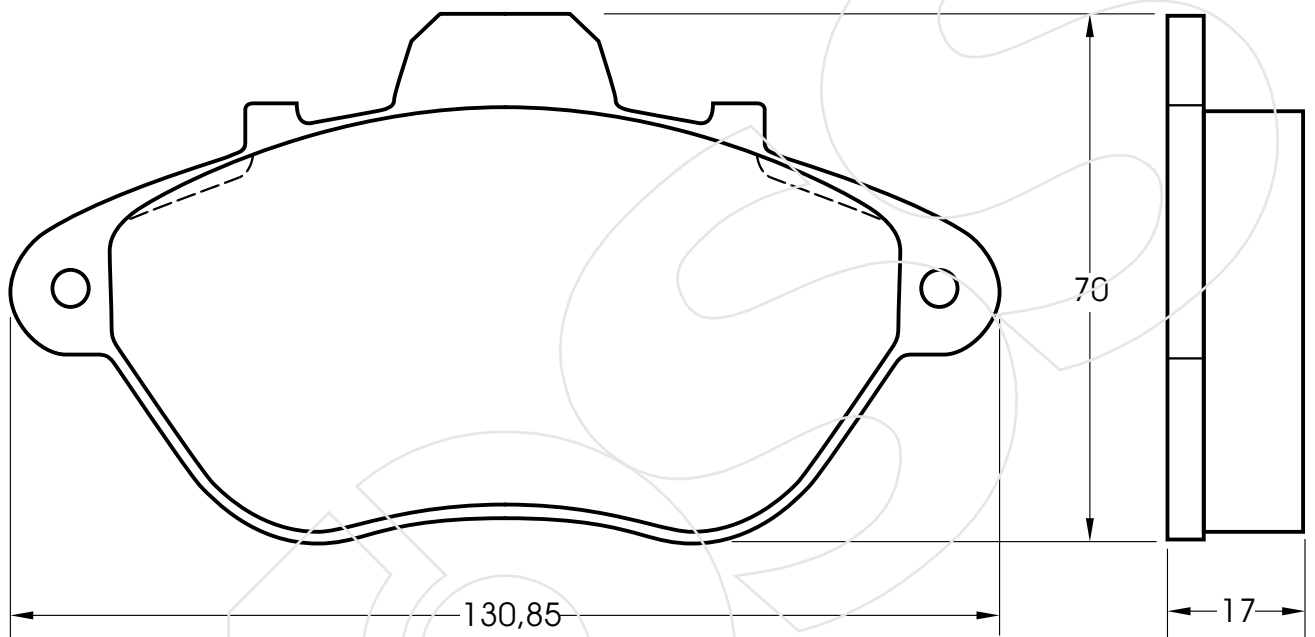
Reference in this Catalogue to other manufactures and to part numbers and other descriptions are for identification purposes only, because the above DISC BRAKE PADS are NOT ORIGINAL but with these interchangeable.

CODICE	IMPIANTO		ASSE	SCALA	APPLICAZIONI
<b>R-464</b>	GIRLING		ANTERIORE	1:1	VOLVO
CODICE COMPONENTI	N°	L(mm)	SERIE		
M0030+P1012	4+4	*	4 PEZZI		
*	*	*			
*	*	*			
*	*	*			
CODICE ACCESSORI	N°	L(mm)	NOTE		
*	*	*			
*	*	*			
*	*	*			
*	*	*			



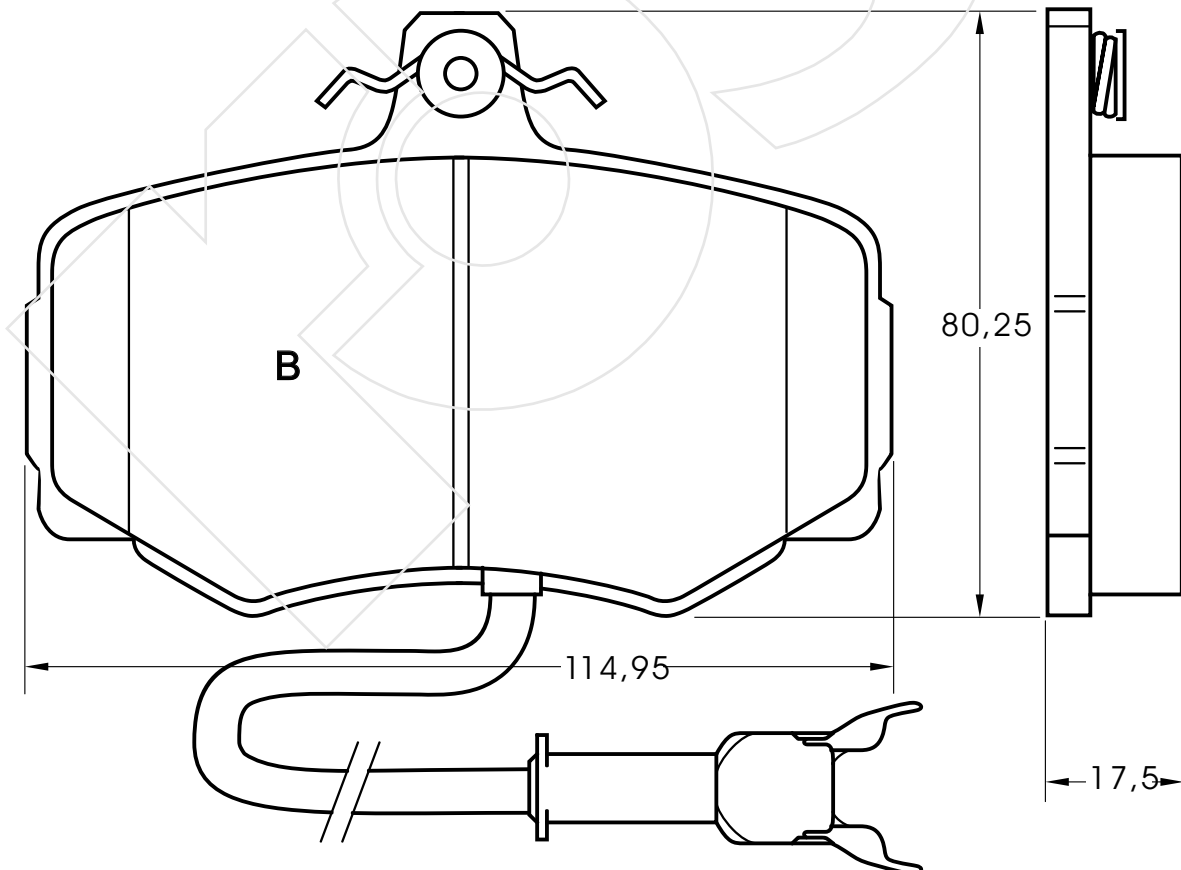
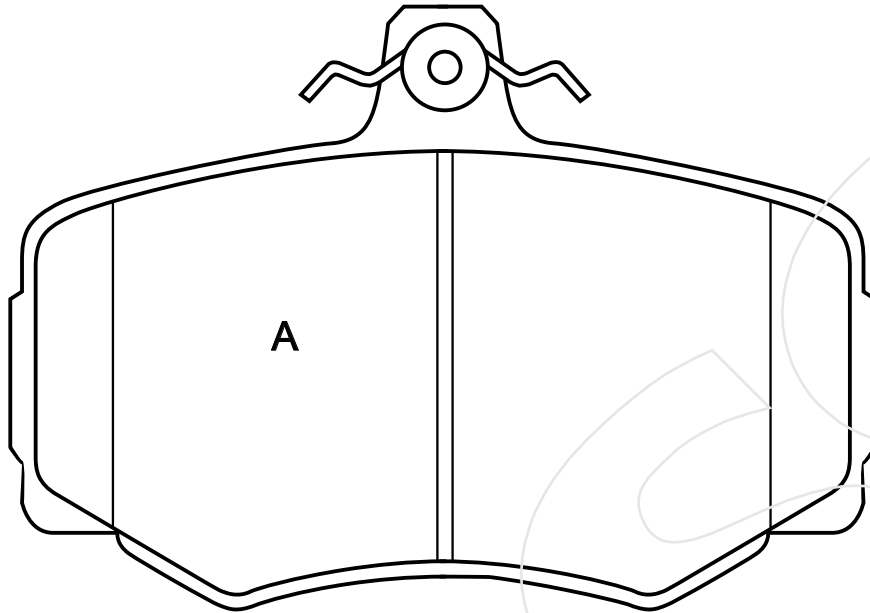
Reference in this Catalogue to other manufactures and to part numbers and other descriptions are for identification purposes only, because the above DISC BRAKE PADS are NOT ORIGINAL but with these interchangeable.

CODICE	IMPIANTO		ASSE	SCALA	APPLICAZIONI
<b>R-465</b>	BENDIX		ANTERIORE	1:1	PEUGEOT
CODICE COMPONENTI	N°	L(mm)	SERIE		
*	*	*	4 PEZZI		
F3049	2	130			
F3055	2	338			
CODICE ACCESSORI	N°	L(mm)	NOTE		
*	*	*			
*	*	*			
*	*	*			
*	*	*			



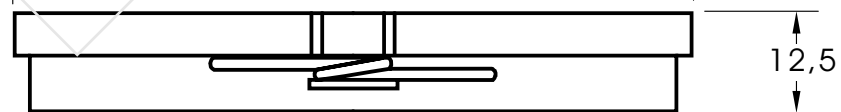
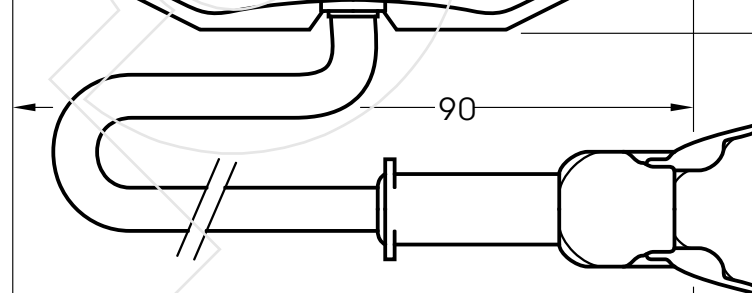
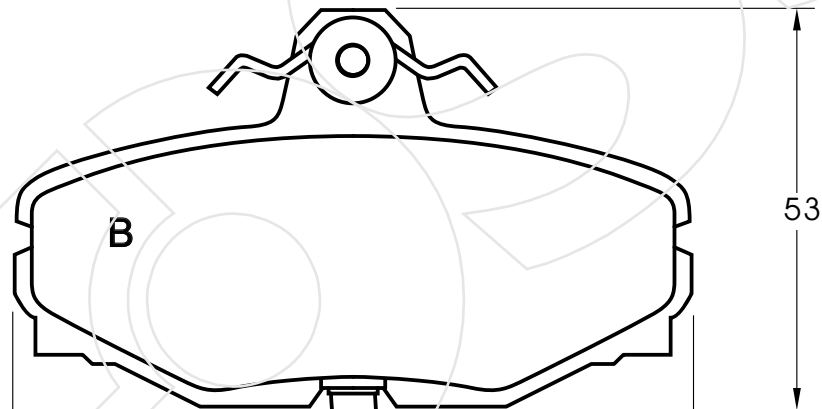
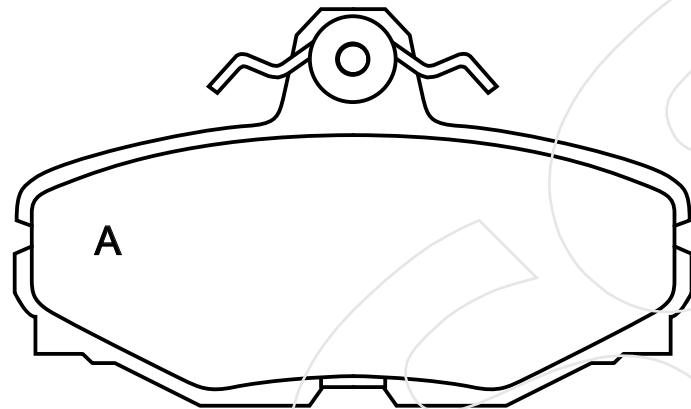
Reference in this Catalogue to other manufactures and to part numbers and other descriptions are for identification purposes only, because the above DISC BRAKE PADS are NOT ORIGINAL but with these interchangeable.

CODICE	IMPIANTO	ASSE	SCALA	APPLICAZIONI
<b>R-466</b>	GIRLING	ANTERIORE	1:1	JAGUAR MERCEDES
CODICE COMPONENTI	N°	L(mm)	SERIE	
M0030+P1012	2+2	*	2 PEZZI TIPO A	
M0030+P1012+F3034	2+2+2	240	2 PEZZI TIPO B	
*	*	*		
*	*	*		
CODICE ACCESSORI	N°	L(mm)	NOTE	
			*	
	*		*	
*	*		*	
*	*		*	



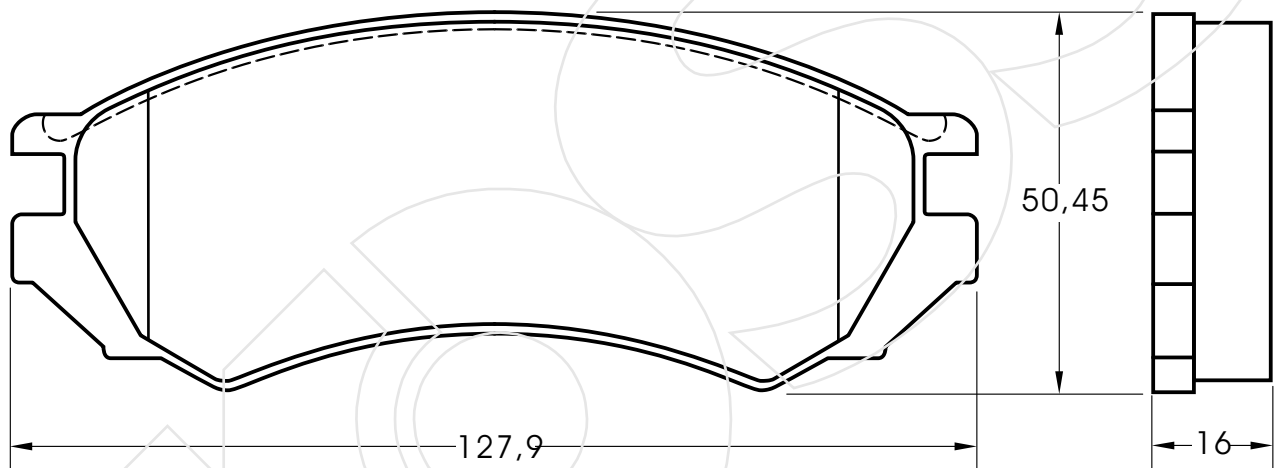
Reference in this Catalogue to other manufactures and to part numbers and other descriptions are for identification purposes only, because the above DISC BRAKE PADS are NOT ORIGINAL but with these interchangeable.

CODICE	IMPIANTO		ASSE	SCALA	APPLICAZIONI
<b>R-467</b>	GIRLING		POSTERIORE	1:1	JAGUAR MERCEDES
CODICE COMPONENTI	N°	L(mm)	SERIE		
M0030+P1003	2+2	*	2 PEZZI TIPO A		
M0030+P1003+F3035	2+2+2	430	2 PEZZI TIPO B		
*	*	*			
*	*	*			
CODICE ACCESSORI	N°	L(mm)	NOTE		
			*		
	*		*		
*	*		*		
*	*		*		



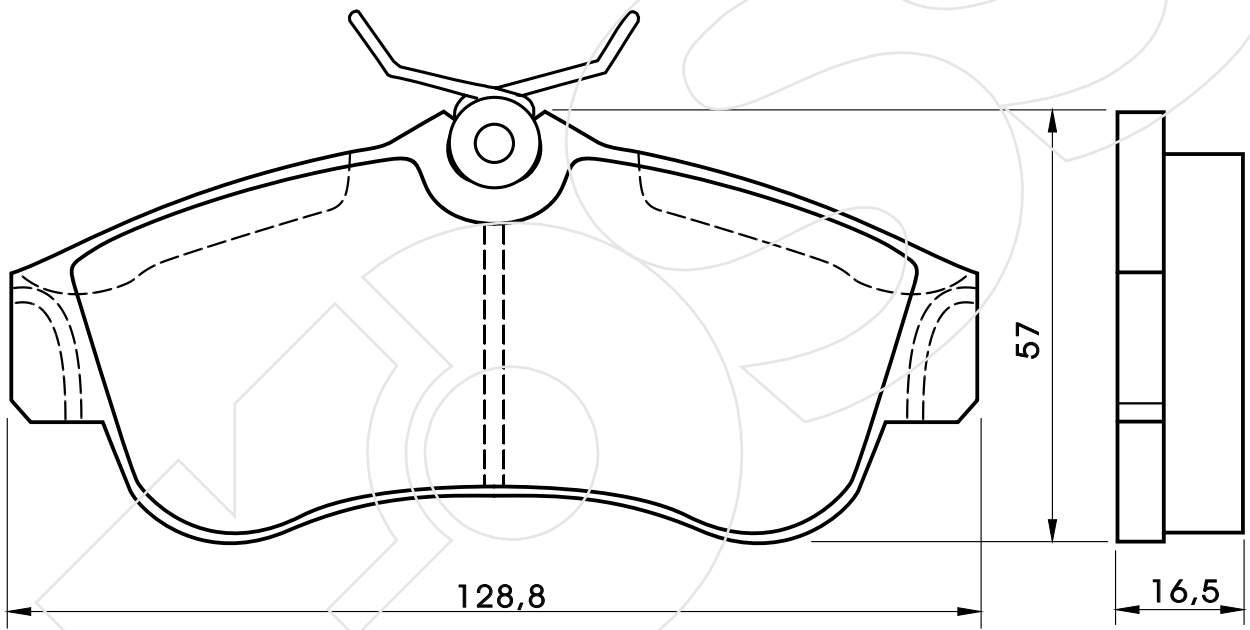
Reference in this Catalogue to other manufactures and to part numbers and other descriptions are for identification purposes only, because the above DISC BRAKE PADS are NOT ORIGINAL but with these interchangeable.

CODICE	IMPIANTO	ASSE	SCALA	APPLICAZIONI
<b>R-468</b>	AKEBONO	ANTERIORE	1:1	NISSAN-DATSUN
CODICE COMPONENTI	N°	L(mm)	SERIE	
*	*	*	4 PEZZI	
*	*	*		
*	*	*		
CODICE ACCESSORI	N°	L(mm)	NOTE	
*	*	*		
*	*	*		
*	*	*		
*	*	*		



Reference in this Catalogue to other manufactures and to part numbers and other descriptions are for identification purposes only, because the above DISC BRAKE PADS are NOT ORIGINAL but with these interchangeable.

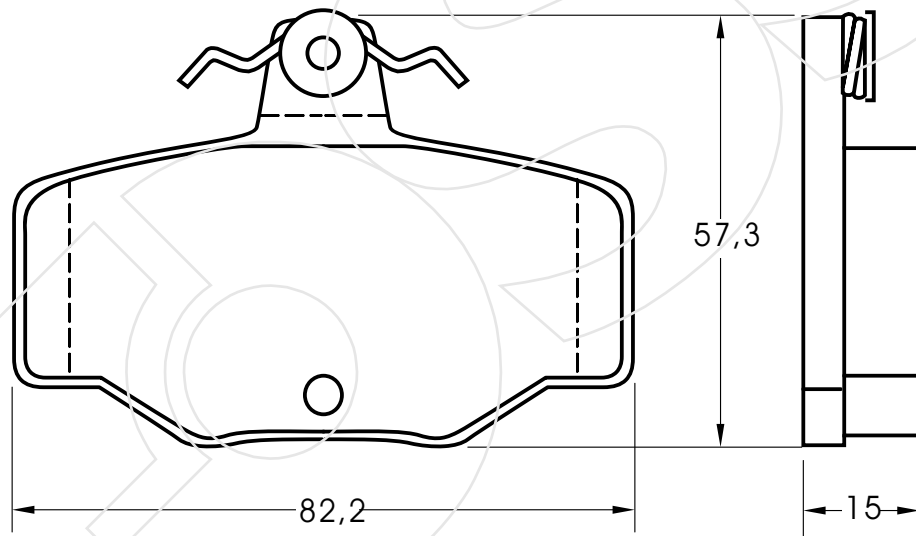
CODICE	IMPIANTO		ASSE	SCALA	APPLICAZIONI
<b>R-470</b>	GIRLING		ANTERIORE	1:1	NISSAN-DATSUN
CODICE COMPONENTI	N°	L(mm)	SERIE		
M0015+P1004	4+4	*	4 PEZZI		
*	*	*			
*	*	*			
CODICE ACCESSORI	N°	L(mm)	NOTE		
*	*	*	*		
*	*	*	*		
*	*	*	*		
*	*	*	*		



Reference in this Catalogue to other manufactures and to part numbers and other descriptions are for identification purposes only, because the above DISC BRAKE PADS are NOT ORIGINAL but with these interchangeable.

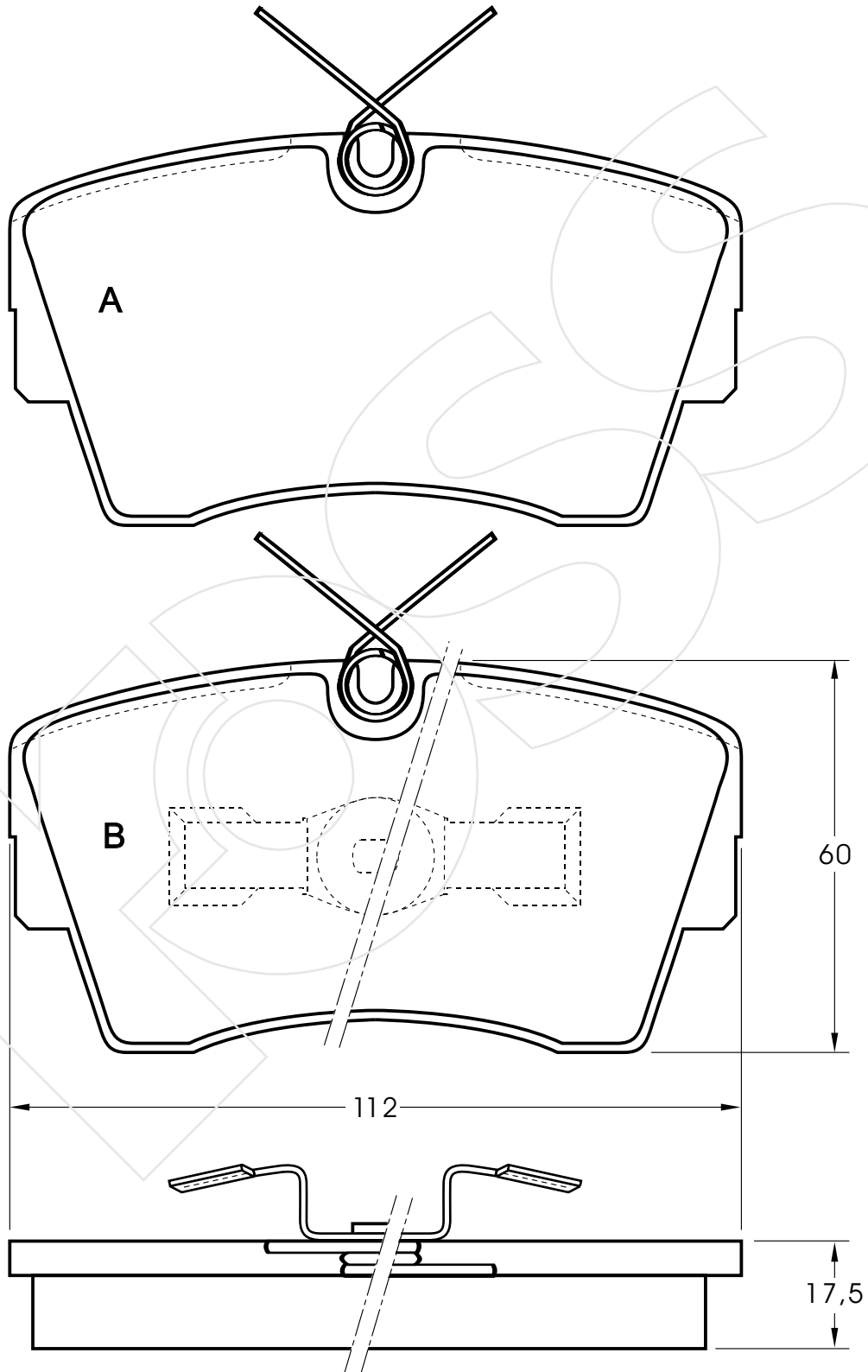


CODICE	IMPIANTO		ASSE	SCALA	APPLICAZIONI
<b>R-471</b>	GIRLING		POSTERIORE	1:1	NISSAN-DATSUN
CODICE COMPONENTI	N°	L(mm)	SERIE		
M0030+P1011	4+4	*	4 PEZZI		
*	*	*			
*	*	*			
CODICE ACCESSORI	N°	L(mm)	NOTE		
*	*	*	*		
*	*	*	*		
*	*	*	*		
*	*	*	*		



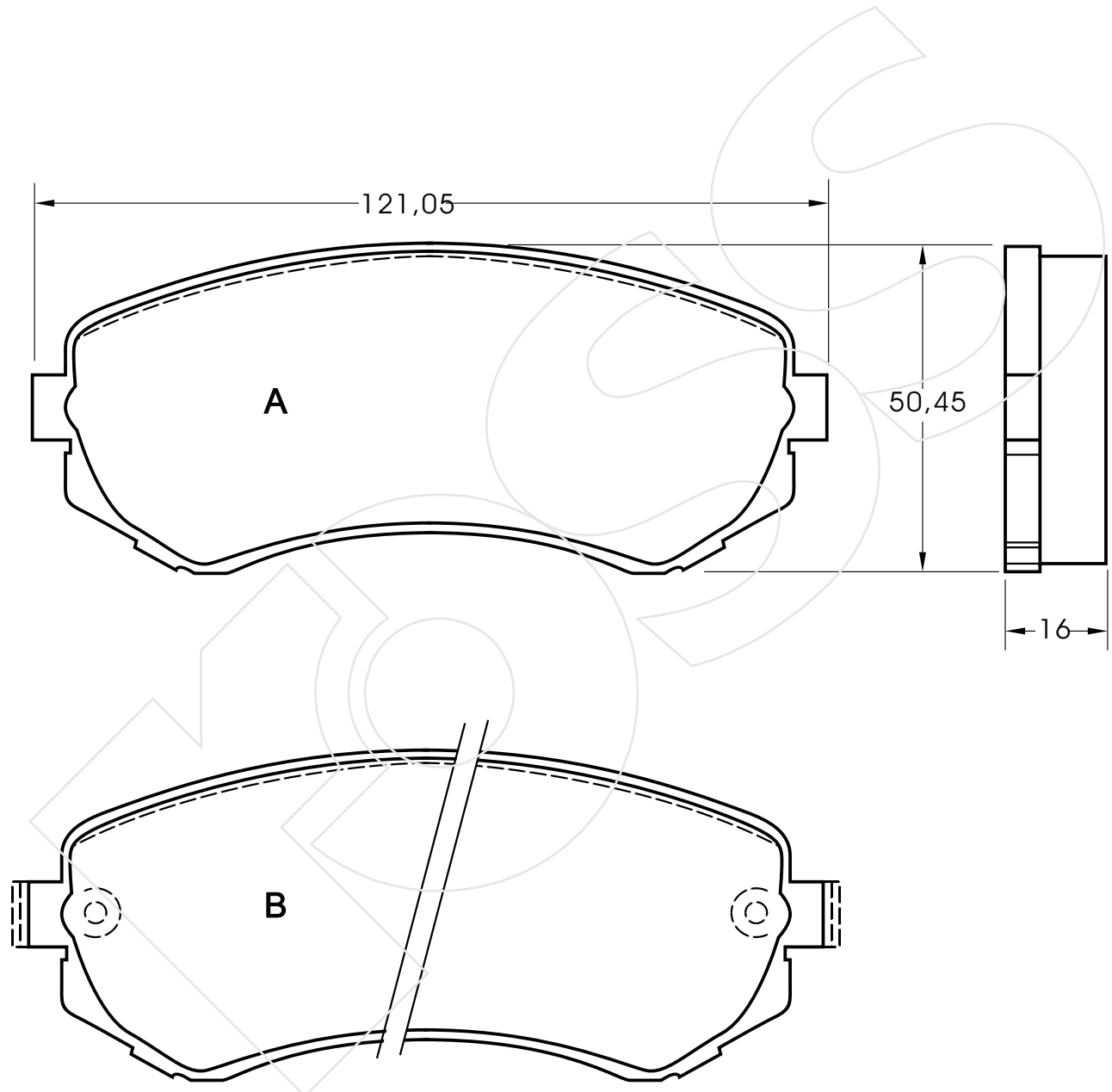
Reference in this Catalogue to other manufactures and to part numbers and other descriptions are for identification purposes only, because the above DISC BRAKE PADS are NOT ORIGINAL but with these interchangeable.

CODICE	IMPIANTO		ASSE	SCALA	APPLICAZIONI
<b>R-472</b>	ATE		ANTERIORE	1:1	OPEL VAUXHALL
CODICE COMPONENTI	N°	L(mm)	SERIE		
M0046	2	*	2 PEZZI TIPO A		
M0046+M0081	2+2	*	2 PEZZI TIPO B		
*	*	*			
*	*	*			
CODICE ACCESSORI	N°	L(mm)	NOTE		
			*		
	*		*		
*	*		*		
*	*		*		



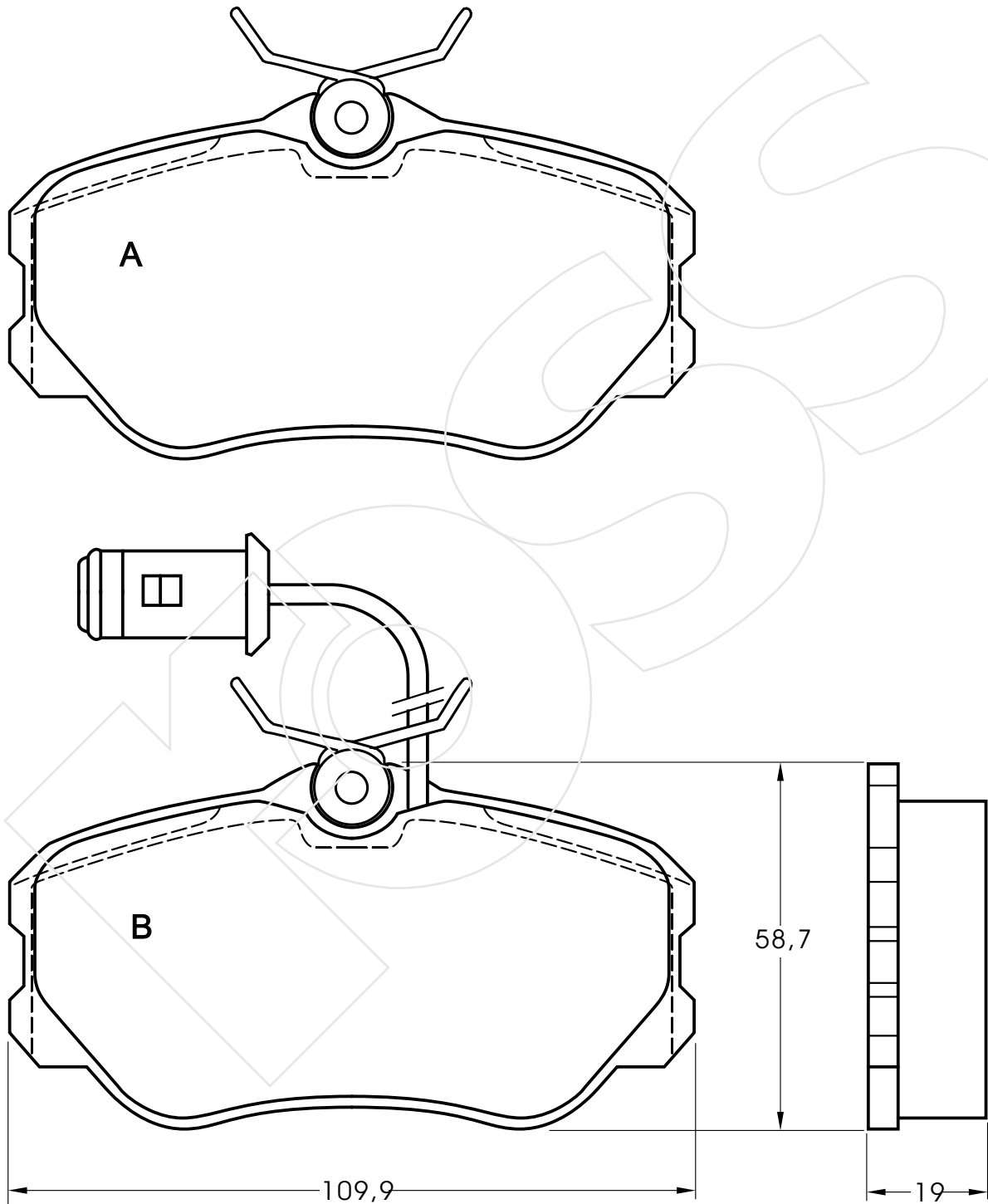
Reference in this Catalogue to other manufactures and to part numbers and other descriptions are for identification purposes only, because the above DISC BRAKE PADS are NOT ORIGINAL but with these interchangeable.

CODICE	IMPIANTO	ASSE	SCALA	APPLICAZIONI
<b>R-473</b>	SUMITOMO	ANTERIORE	1:1	NISSAN-DATSUN
CODICE COMPONENTI	N°	L(mm)	SERIE	
*	*	*	2 PEZZI TIPO A	
M0074	2	*	2 PEZZI TIPO B	
*	*	*		
*	*	*		
CODICE ACCESSORI	N°	L(mm)	NOTE	
			*	
	*		*	
*	*		*	
*	*		*	



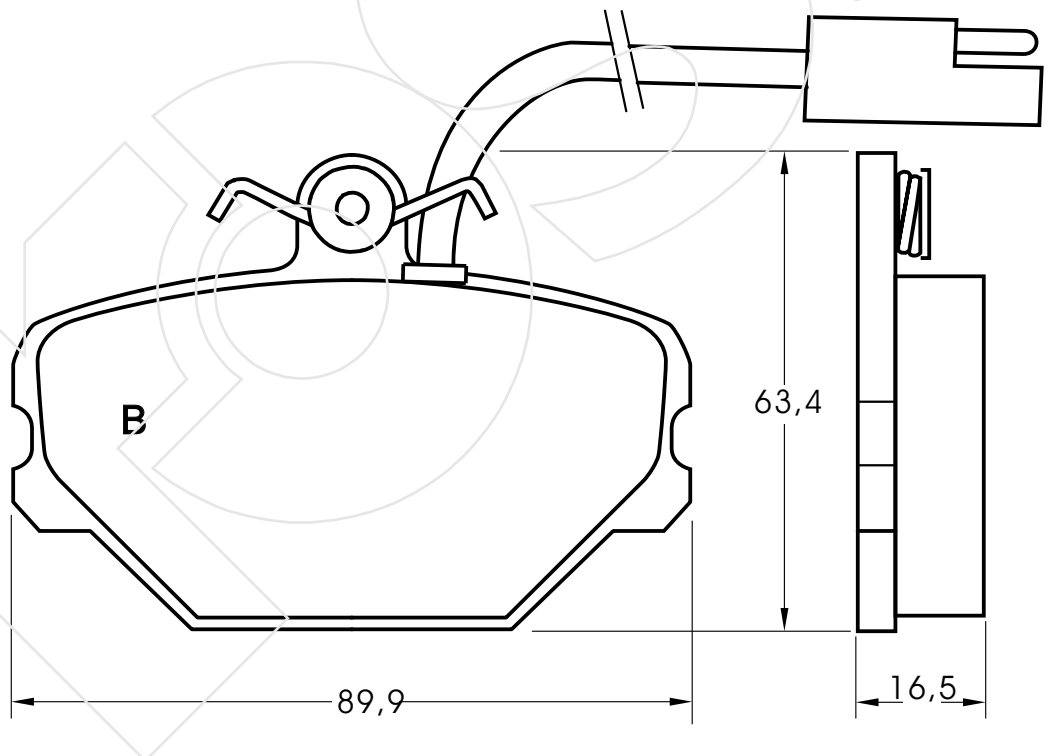
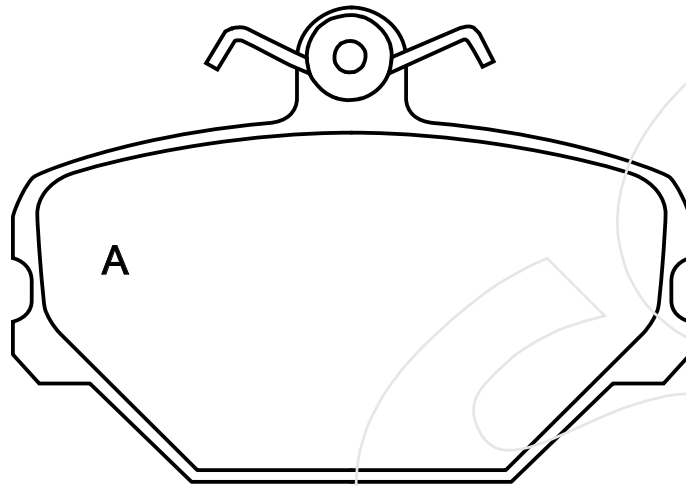
Reference in this Catalogue to other manufactures and to part numbers and other descriptions are for identification purposes only, because the above DISC BRAKE PADS are NOT ORIGINAL but with these interchangeable.

CODICE	IMPIANTO	ASSE	SCALA	APPLICAZIONI
<b>R-474</b>	GIRLING	ANTERIORE	1:1	ALFAROMEO FIAT LANCIA
CODICE COMPONENTI	N°	L(mm)	SERIE	
M0015+P1004	2+2	*	2 PEZZI TIPO A	
M015+P1004+F3030	2+2+2	460	2 PEZZI TIPO B	
*	*	*		
*	*	*		
CODICE ACCESSORI	N°	L(mm)	NOTE	
			*	
	*		*	
*	*		*	
*	*		*	



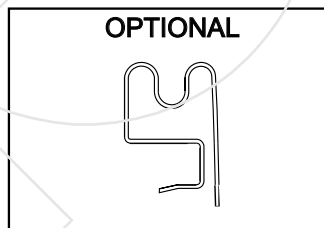
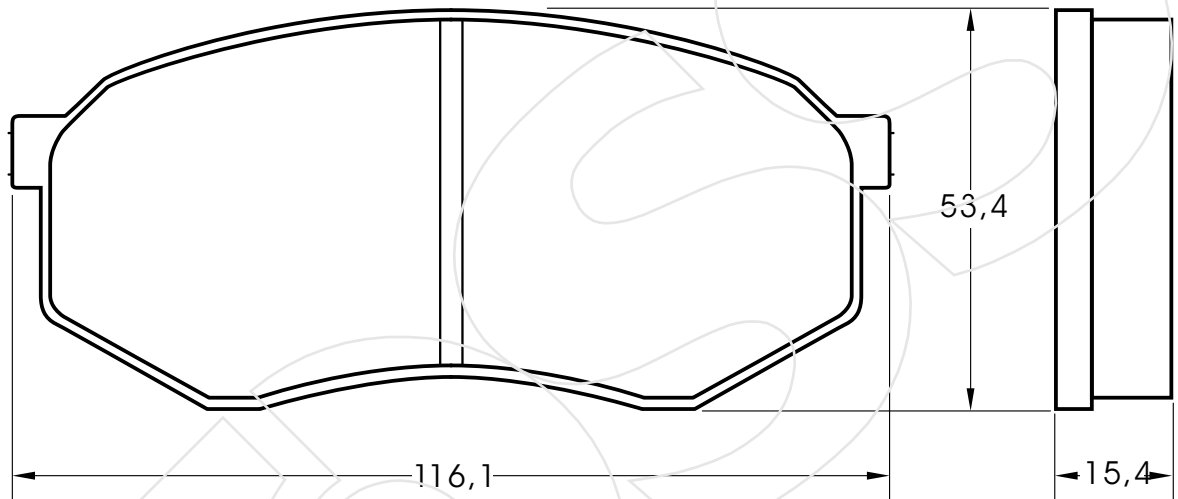
Reference in this Catalogue to other manufactures and to part numbers and other descriptions are for identification purposes only, because the above DISC BRAKE PADS are NOT ORIGINAL but with these interchangeable.

CODICE	IMPIANTO		ASSE	SCALA	APPLICAZIONI
<b>R-475</b>	GIRLING		ANTERIORE	1:1	YUGO
CODICE COMPONENTI	N°	L(mm)	SERIE		
M0077+P1011	2+2	*	2 PEZZI TIPO A		
M077+P1011+F3036	2+2+2	273	2 PEZZI TIPO B		
*	*	*			
*	*	*			
CODICE ACCESSORI	N°	L(mm)	NOTE		
			*		
	*		*		
*	*		*		
*	*		*		



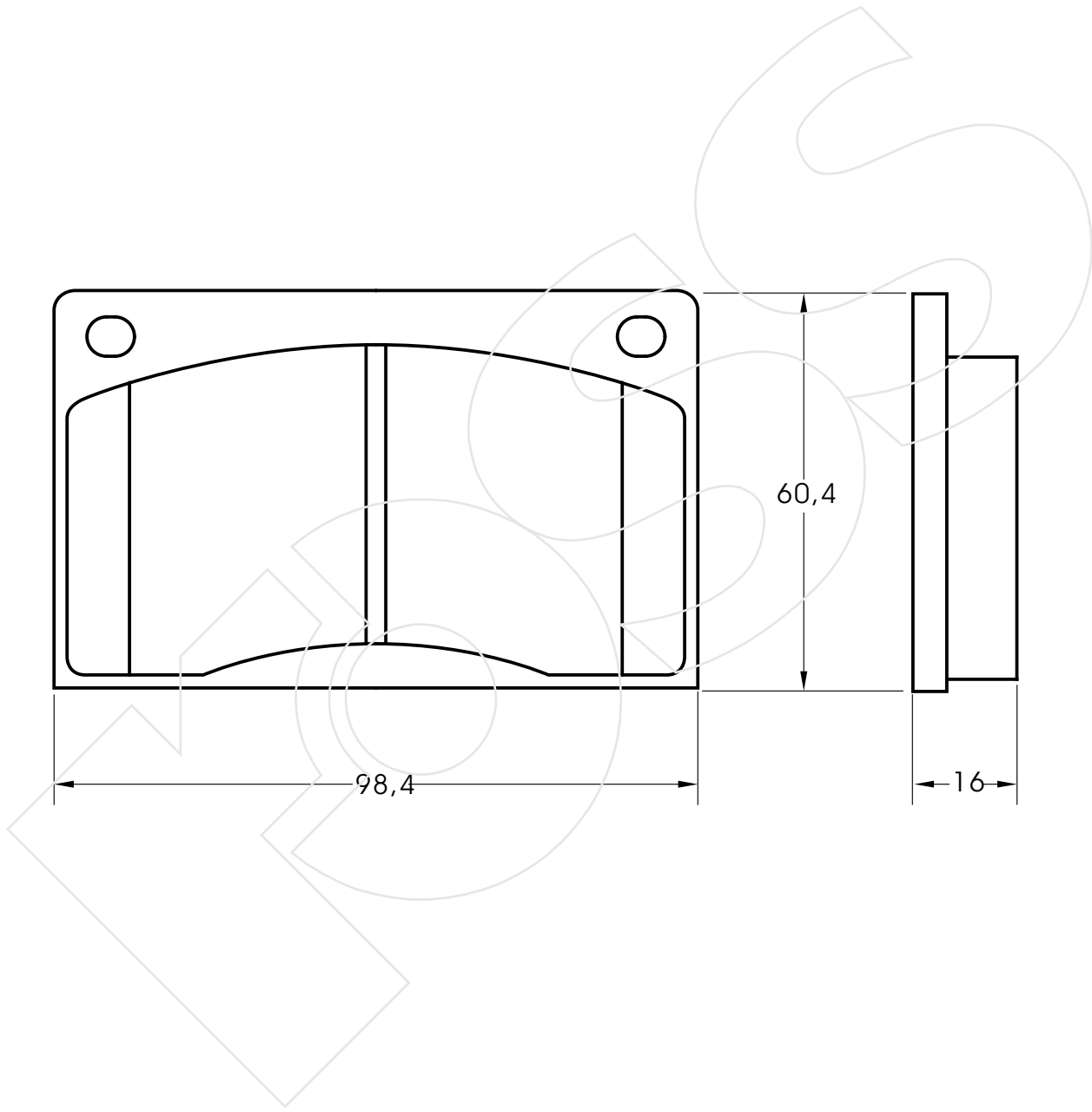
Reference in this Catalogue to other manufactures and to part numbers and other descriptions are for identification purposes only, because the above DISC BRAKE PADS are NOT ORIGINAL but with these interchangeable.

CODICE	IMPIANTO	ASSE	SCALA	APPLICAZIONI
<b>R-476</b>	AKEBONO	ANTERIORE	1:1	TOYOTA
CODICE COMPONENTI	N°	L(mm)	SERIE	
*	*	*	4 PEZZI	
*	*	*		
*	*	*		
OPTIONAL	N°	L(mm)	NOTE	
M0141	8	*		
*	*	*		
*	*	*		
*	*	*		



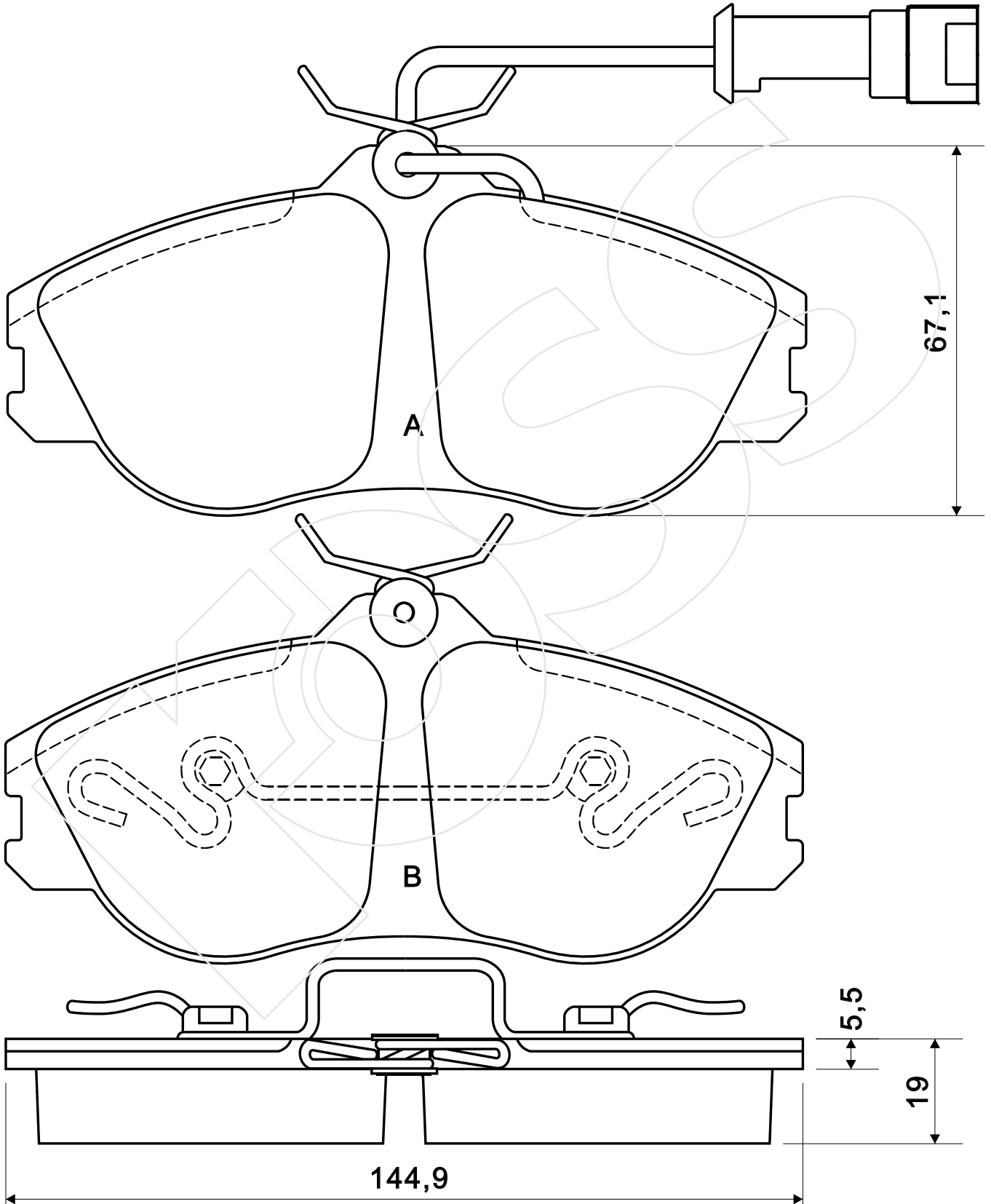
Reference in this Catalogue to other manufactures and to part numbers and other descriptions are for identification purposes only, because the above DISC BRAKE PADS are NOT ORIGINAL but with these interchangeable.

CODICE	IMPIANTO		ASSE	SCALA	APPLICAZIONI
<b>R-477</b>	GIRLING		ANTERIORE	1:1	VOLVO
CODICE COMPONENTI	N°	L(mm)	SERIE		
*	*	*	4 PEZZI		
*	*	*			
*	*	*			
CODICE ACCESSORI	N°	L(mm)	NOTE		
*	*	*			
*	*	*			
*	*	*			
*	*	*			



Reference in this Catalogue to other manufactures and to part numbers and other descriptions are for identification purposes only, because the above DISC BRAKE PADS are NOT ORIGINAL but with these interchangeable.

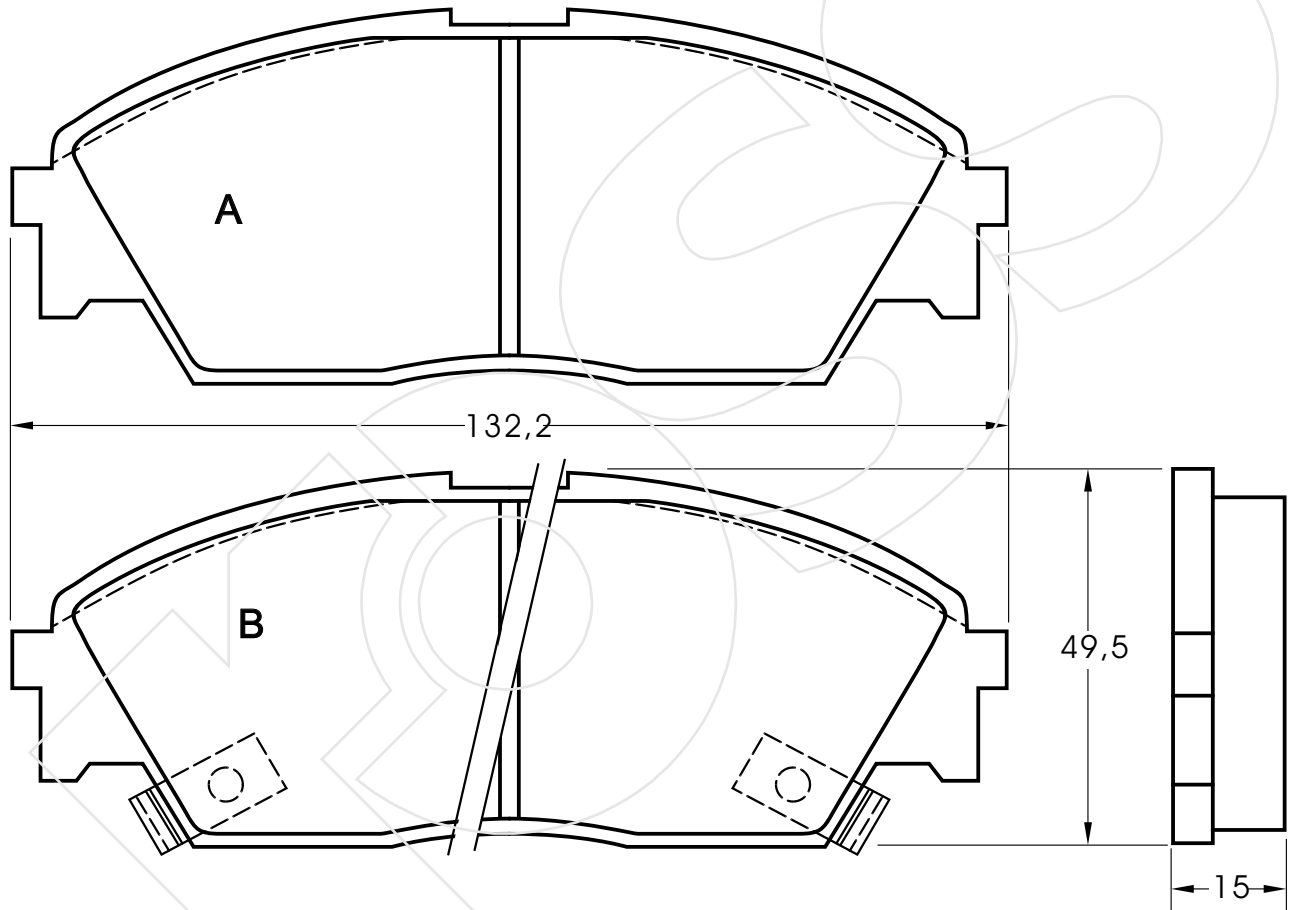
CODICE	IMPIANTO	ASSE	SCALA	APPLICAZIONI
<b>R-478</b>	GIRLING	ANTERIORE	1:1	AUDI
CODICE COMPONENTI	N°	L(mm)	SERIE	
M0015+P1004+F3032	2+2+2	315	2 PEZZI TIPO A	
M0015+P1004+KIT M0082	2+2+1	*	2 PEZZI TIPO B	
*	*	*		
*	*	*		
CODICE ACCESSORI	N°	L(mm)	NOTE	
			*	
	*		*	
	*		*	
	*		*	



Reference in this Catalogue to other manufactures and to part numbers and other descriptions are for identification purposes only, because the above DISC BRAKE PADS are NOT ORIGINAL but with these interchangeable.

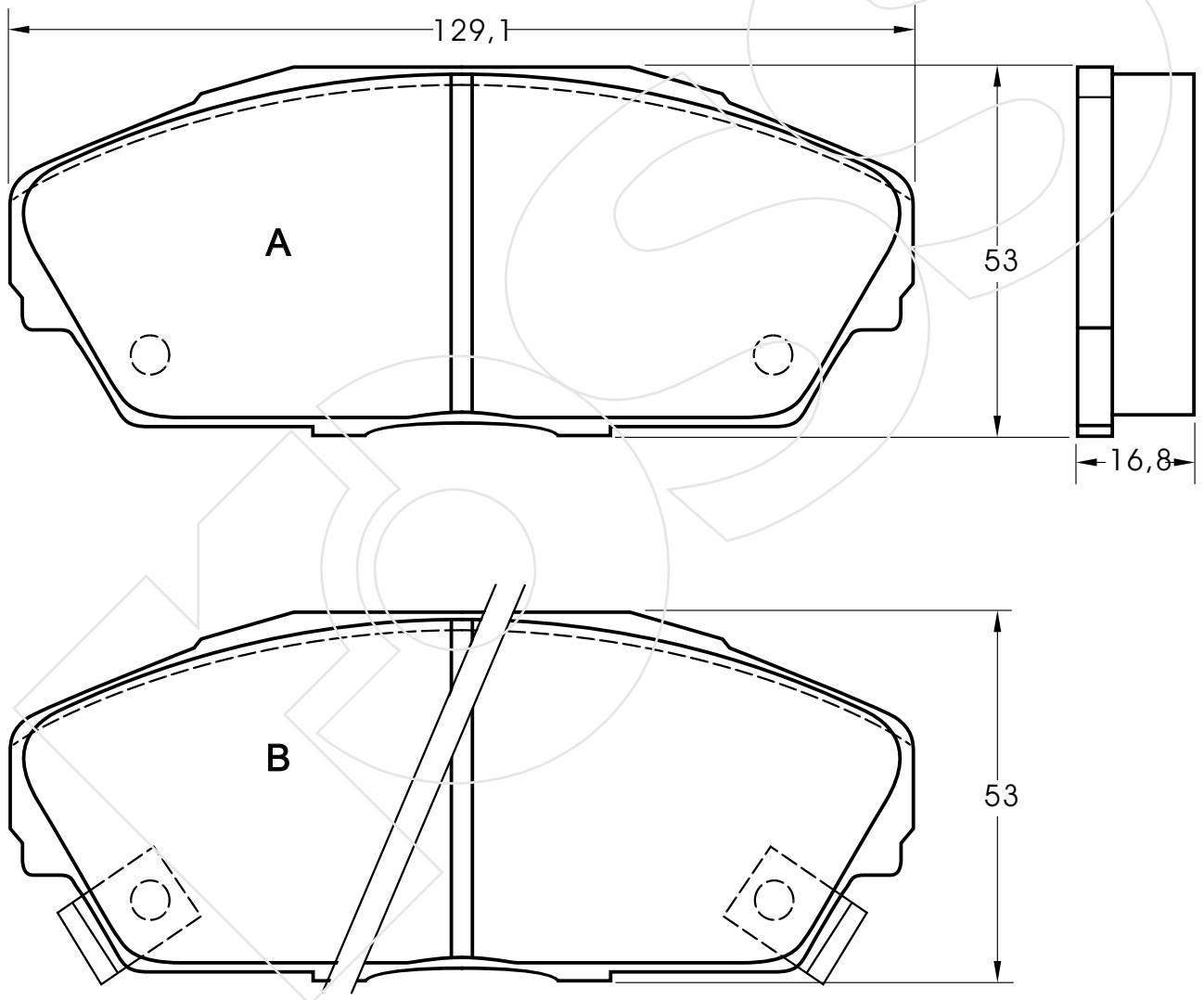


CODICE	IMPIANTO	ASSE	SCALA	APPLICAZIONI
<b>R-479</b>	AKEBONO	ANTERIORE	1:1	HONDA
CODICE COMPONENTI	N°	L(mm)	SERIE	
*	*	*	2 PEZZI TIPO A	
M0057	2	*	2 PEZZI TIPO B	
*	*	*		
*	*	*		
CODICE ACCESSORI	N°	L(mm)	NOTE	
			*	
	*		*	
*	*		*	
*	*		*	



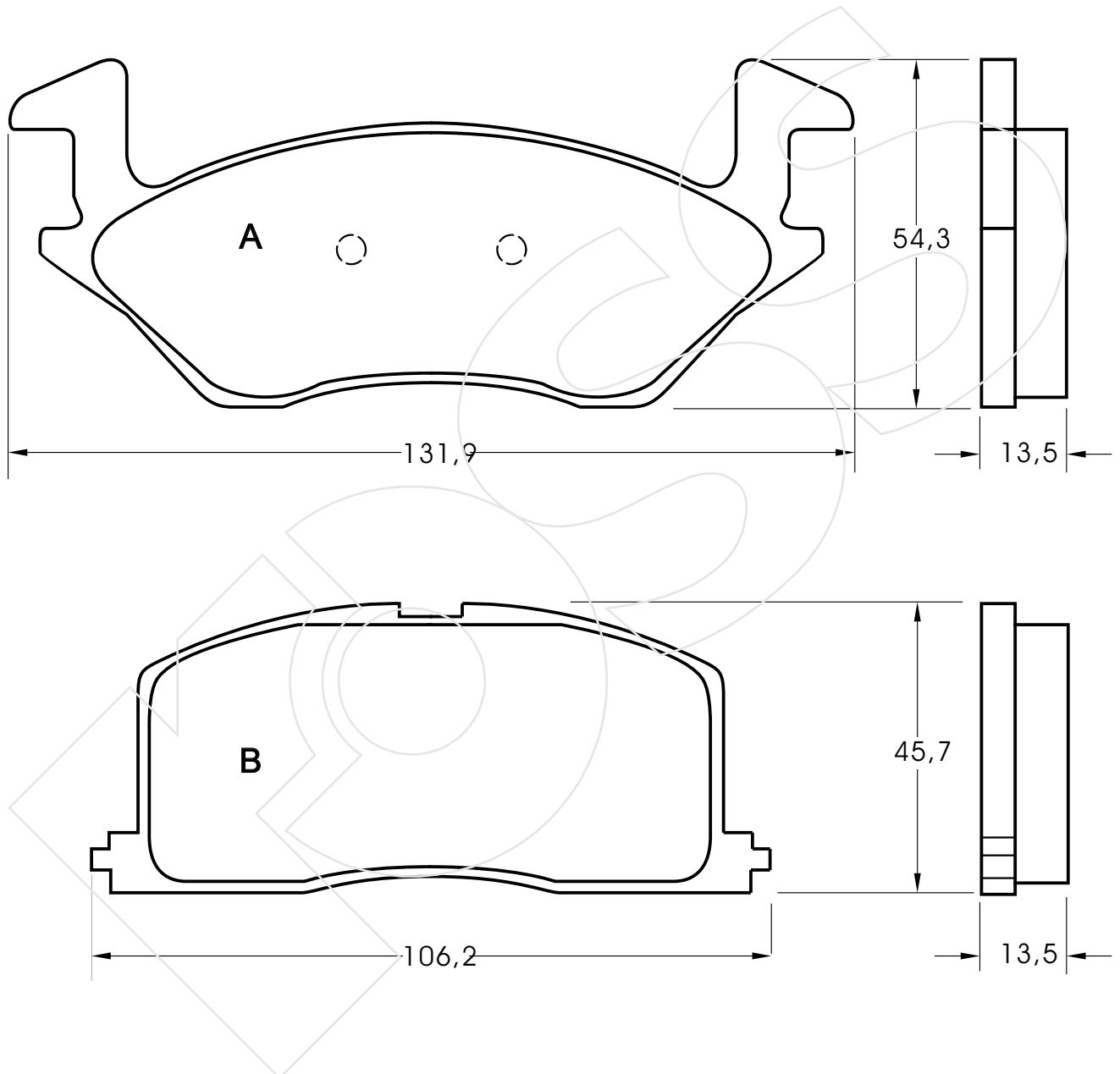
Reference in this Catalogue to other manufactures and to part numbers and other descriptions are for identification purposes only, because the above DISC BRAKE PADS are NOT ORIGINAL but with these interchangeable.

CODICE	IMPIANTO	ASSE	SCALA	APPLICAZIONI
<b>R-480</b>	AKEBONO	ANTERIORE	1:1	HONDA
CODICE COMPONENTI	N°	L(mm)	SERIE	
*	*	*	2 PEZZI TIPO A	
M0057	2	*	2 PEZZI TIPO B	
*	*	*		
*	*	*		
CODICE ACCESSORI	N°	L(mm)	NOTE	
			*	
	*		*	
*	*		*	
*	*		*	



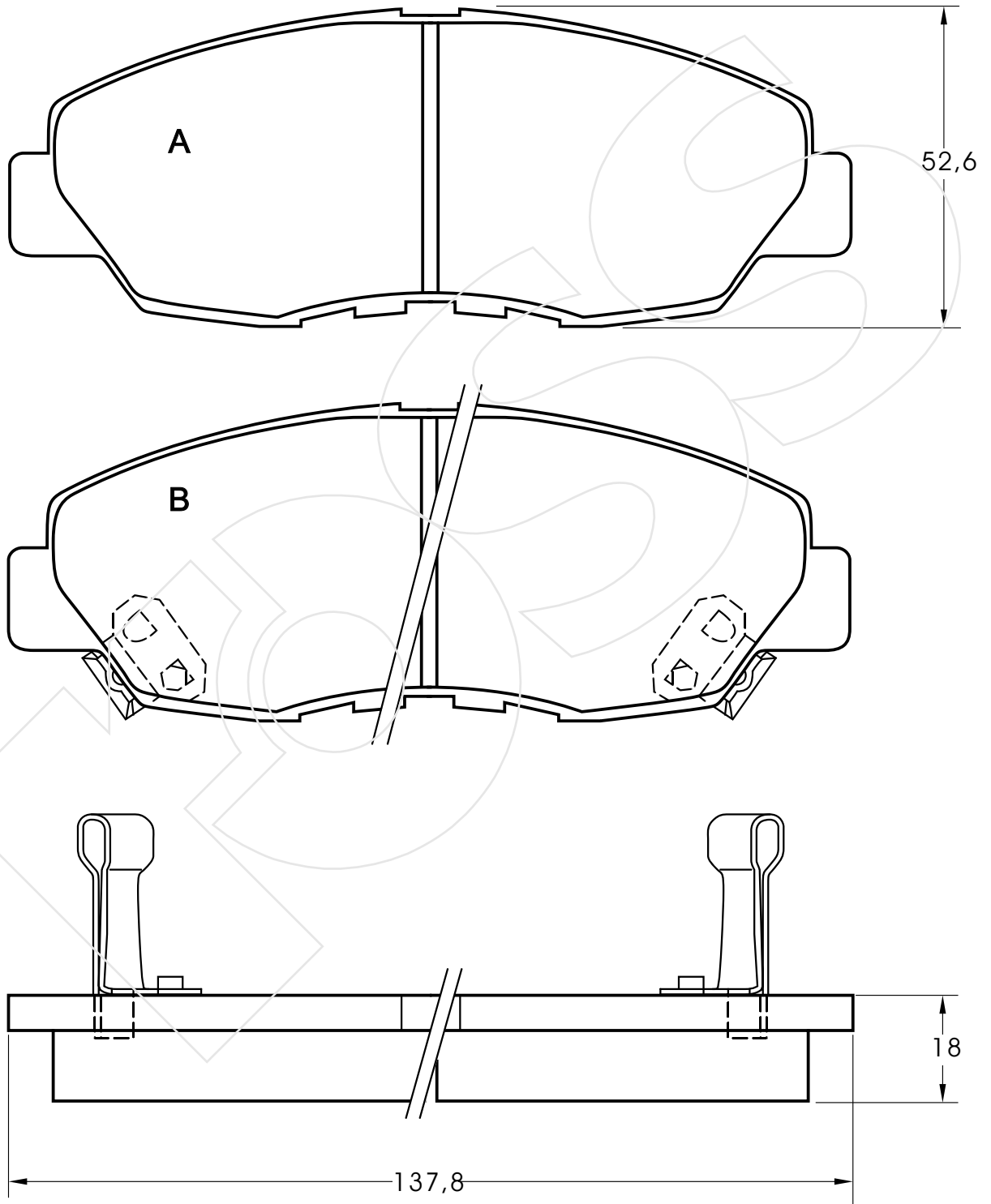
Reference in this Catalogue to other manufactures and to part numbers and other descriptions are for identification purposes only, because the above DISC BRAKE PADS are NOT ORIGINAL but with these interchangeable.

CODICE	IMPIANTO	ASSE	SCALA	APPLICAZIONI
<b>R-481</b>	AKEBONO	ANTERIORE	1:1	TOYOTA
CODICE COMPONENTI	N°	L(mm)	SERIE	
*	*	*	2 PEZZI TIPO A	
*	*	*	2 PEZZI TIPO B	
*	*	*		
*	*	*		
CODICE ACCESSORI	N°	L(mm)	NOTE	
			*	
	*		*	
*	*		*	
*	*		*	



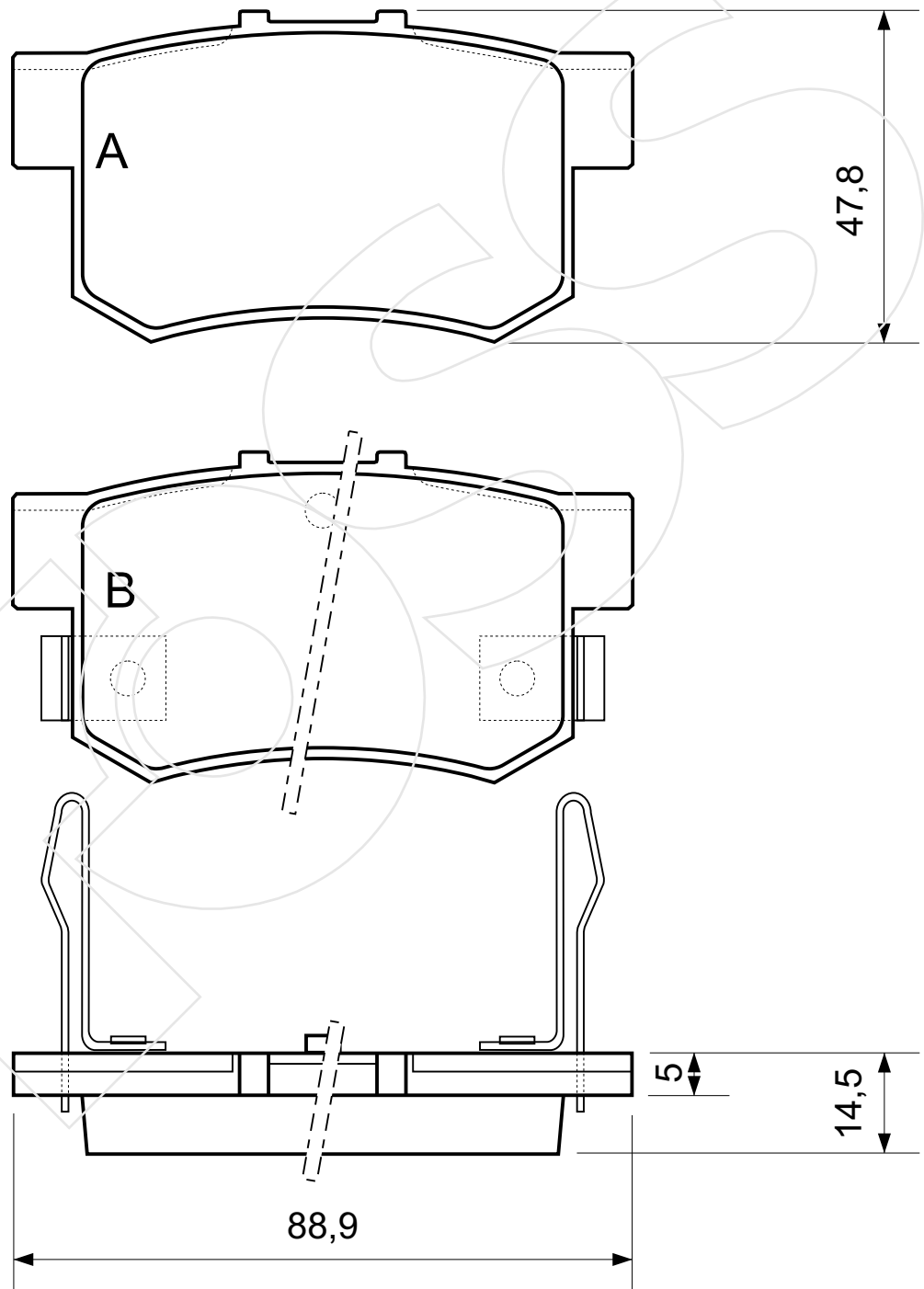
Reference in this Catalogue to other manufactures and to part numbers and other descriptions are for identification purposes only, because the above DISC BRAKE PADS are NOT ORIGINAL but with these interchangeable.

CODICE	IMPIANTO		ASSE	SCALA	APPLICAZIONI
<b>R-482</b>	AKEBONO		ANTERIORE	1:1	HONDA
CODICE COMPONENTI	N°	L(mm)	SERIE		
*	*	*	2 PEZZI TIPO A		
M0083	2	*	2 PEZZI TIPO B		
*	*	*			
*	*	*			
CODICE ACCESSORI	N°	L(mm)	NOTE		
			*		
	*		*		
*	*		*		
*	*		*		



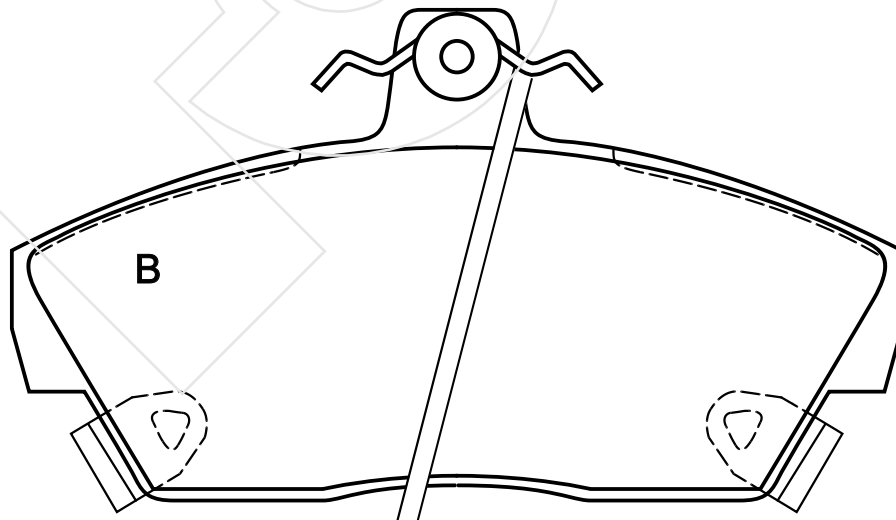
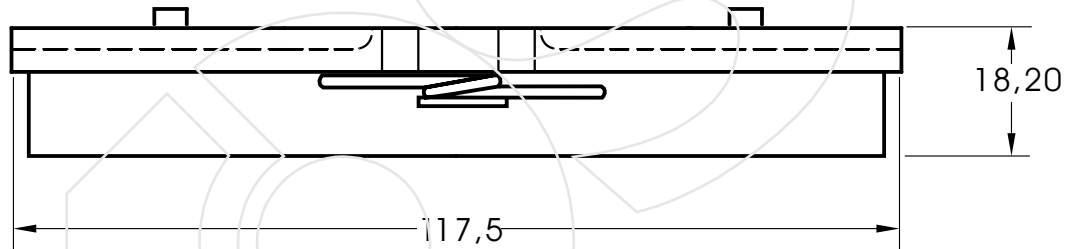
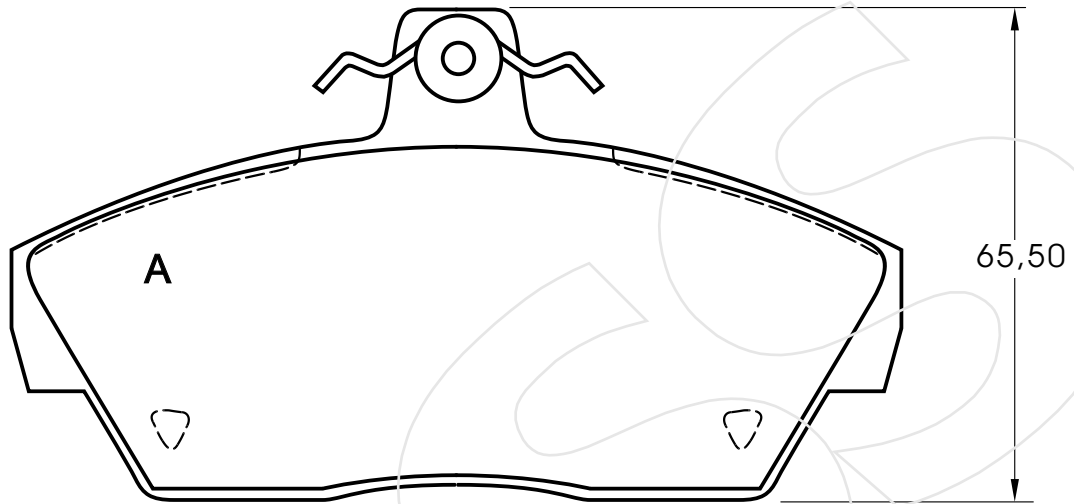
Reference in this Catalogue to other manufactures and to part numbers and other descriptions are for identification purposes only, because the above DISC BRAKE PADS are NOT ORIGINAL but with these interchangeable.

CODICE	IMPIANTO	ASSE	SCALA	APPLICAZIONI
<b>R-483</b>	AKEBONO	POSTERIORE	1:1	HONDA ROVER
CODICE COMPONENTI	N°	L(mm)	SERIE	
*	*	*	2 PEZZI TIPO A	
M 0062	2		2 PEZZI TIPO B	
*	*			
CODICE ACCESSORI	N°	L(mm)	NOTE	
*	*		*	
*	*		*	
*	*		*	
*	*		*	



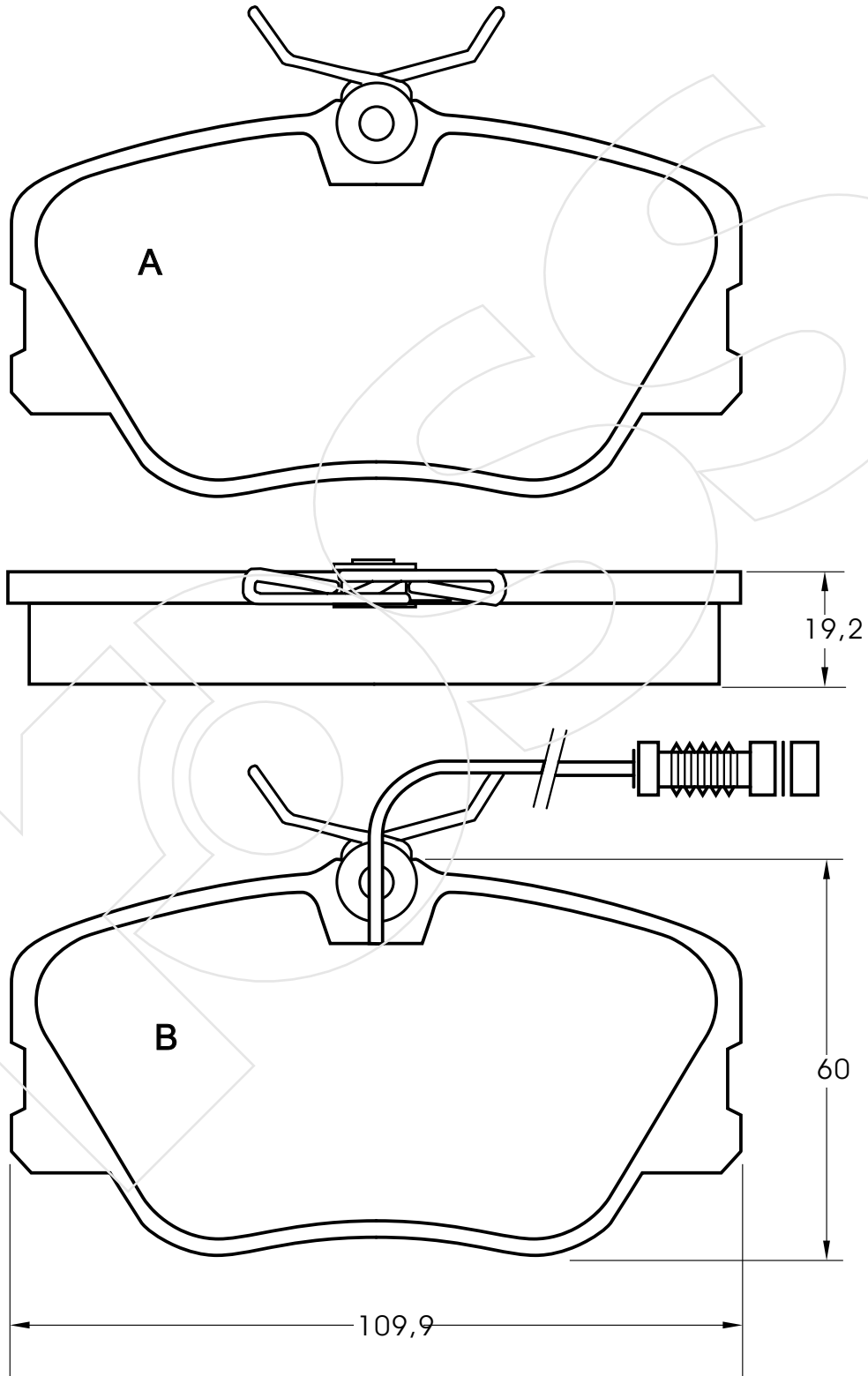
Reference in this Catalogue to other manufactures and to part numbers and other descriptions are for identification purposes only, because the above DISC BRAKE PADS are NOT ORIGINAL but with these interchangeable.

CODICE	IMPIANTO		ASSE	SCALA	APPLICAZIONI
<b>R-484</b>	GIRLING		ANTERIORE	1:1	HONDA ROVER
CODICE COMPONENTI	N°	L(mm)	SERIE		
M0030+P1012	2+2	*	2 PEZZI TIPO A		
M0030+P1012+M0084	2+2+2	*	2 PEZZI TIPO B		
*	*	*			
*	*	*			
CODICE ACCESSORI	N°	L(mm)	NOTE		
			*		
	*		*		
*	*		*		
*	*		*		



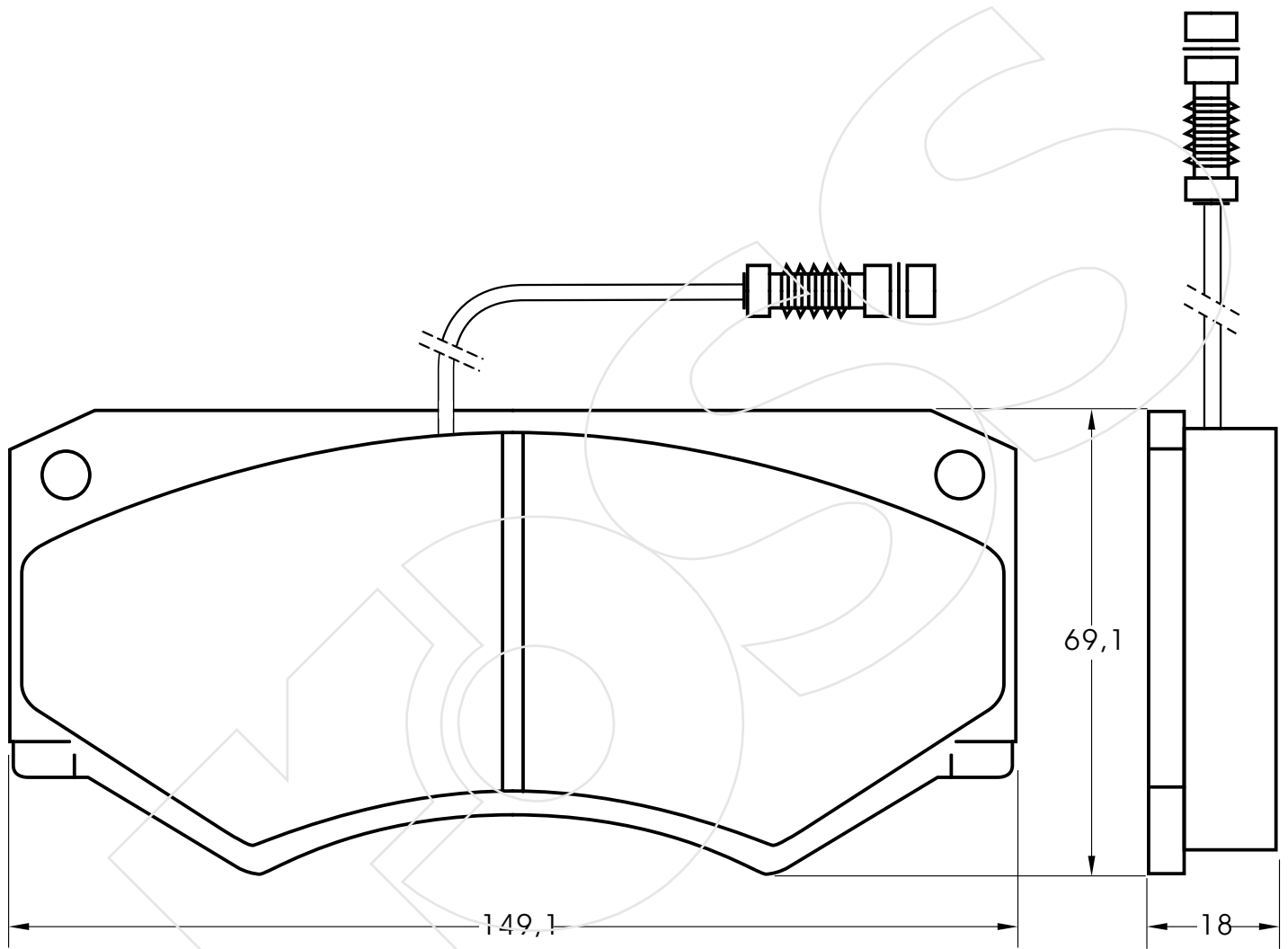
Reference in this Catalogue to other manufactures and to part numbers and other descriptions are for identification purposes only, because the above DISC BRAKE PADS are NOT ORIGINAL but with these interchangeable.

CODICE	IMPIANTO		ASSE	SCALA	APPLICAZIONI
<b>R-485</b>	GIRLING		ANTERIORE	1:1	MERCEDES
CODICE COMPONENTI	N°	L(mm)	SERIE		
M0015+P1004	2+2	*	2 PEZZI TIPO		
M0015+P1004+F3015	2+2+2	200	2 PEZZI TIPO B		
*	*				
CODICE ACCESSORI	N°	L(mm)	NOTE		
*	*		*		
*	*		*		
*	*		*		
*	*		*		



Reference in this Catalogue to other manufactures and to part numbers and other descriptions are for identification purposes only, because the above DISC BRAKE PADS are NOT ORIGINAL but with these interchangeable.

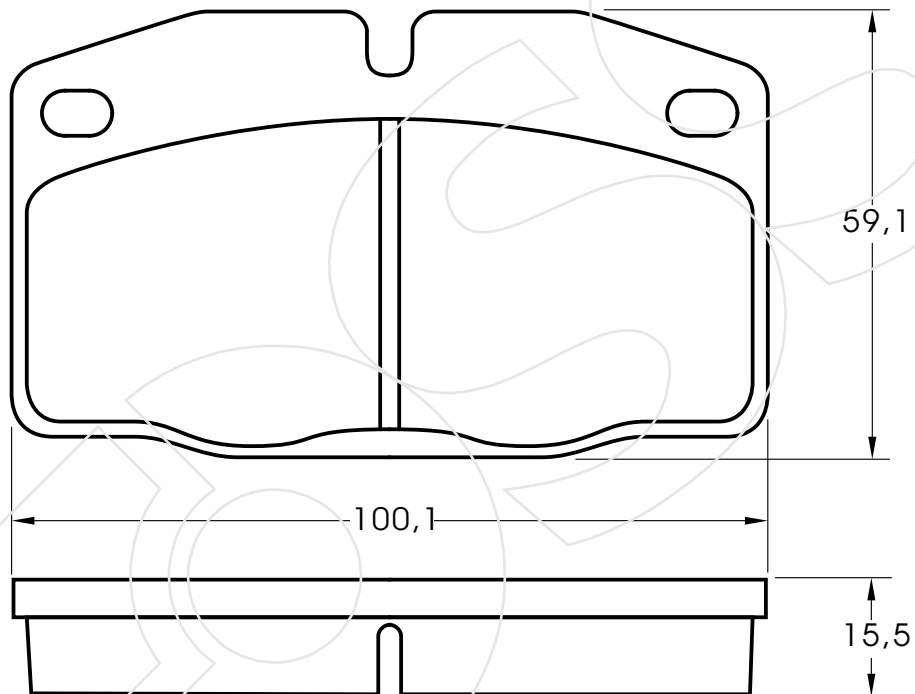
CODICE	IMPIANTO	ASSE	SCALA	APPLICAZIONI
<b>R-486</b>	PERROT	ANTERIORE	1:1	MERCEDES
CODICE COMPONENTI	N°	L(mm)	SERIE	
F3016	4	113	4 PEZZI	
*	*	*	*	
*	*	*	*	
*	*	*	*	
CODICE ACCESSORI	N°	L(mm)	NOTE	
*	*	*	*	
*	*	*	*	
*	*	*	*	
*	*	*	*	



Reference in this Catalogue to other manufactures and to part numbers and other descriptions are for identification purposes only, because the above DISC BRAKE PADS are NOT ORIGINAL but with these interchangeable.

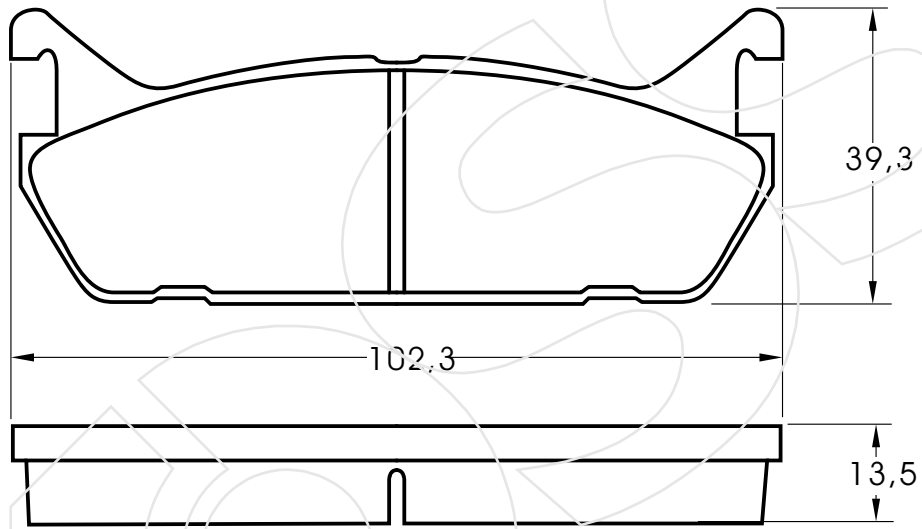


CODICE	IMPIANTO		ASSE	SCALA	APPLICAZIONI
<b>R-487</b>	DELCO		ANTERIORE	1:1	OPEL VAUXHALL
CODICE COMPONENTI	N°	L(mm)	SERIE		
*	*	*	4 PEZZI		
*	*				
*	*				
CODICE ACCESSORI	N°	L(mm)	NOTE		
*	*				
*	*				
*	*				
*	*				



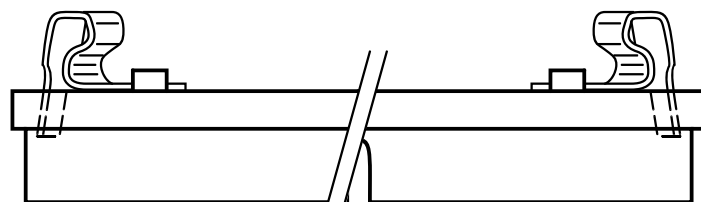
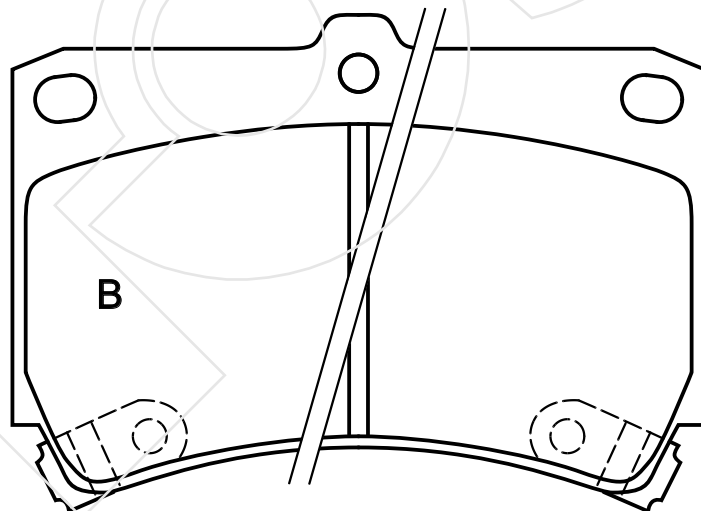
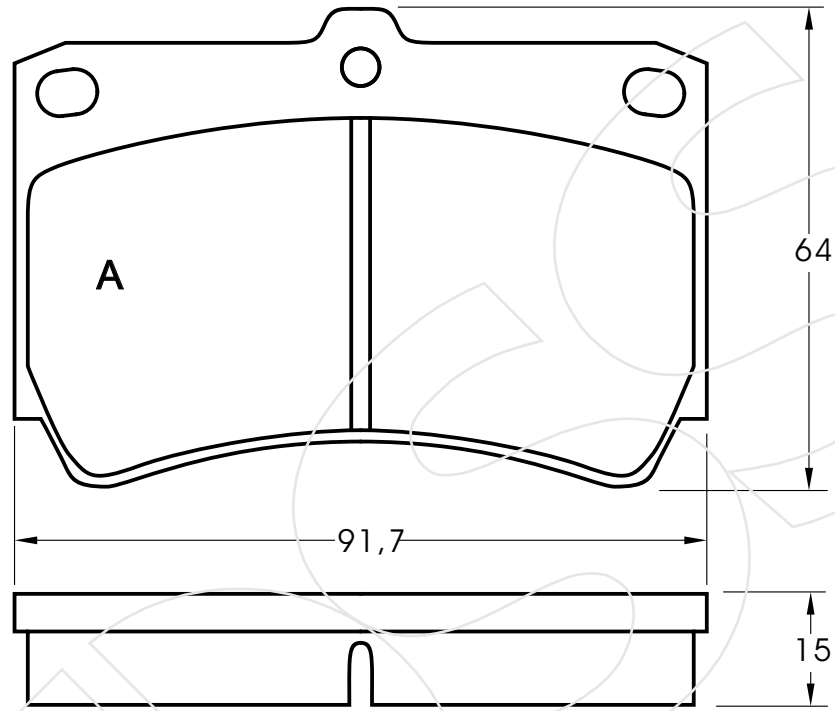
Reference in this Catalogue to other manufactures and to part numbers and other descriptions are for identification purposes only, because the above DISC BRAKE PADS are NOT ORIGINAL but with these interchangeable.

CODICE	IMPIANTO	ASSE	SCALA	APPLICAZIONI
<b>R-488</b>	AKEBONO	POSTERIORE	1:1	DAIHATSU MAZDA
CODICE COMPONENTI	N°	L(mm)	SERIE	
*	*	*	4 PEZZI	
*	*			
*	*			
CODICE ACCESSORI	N°	L(mm)	NOTE	
*	*		*	
*	*		*	
*	*		*	
*	*		*	



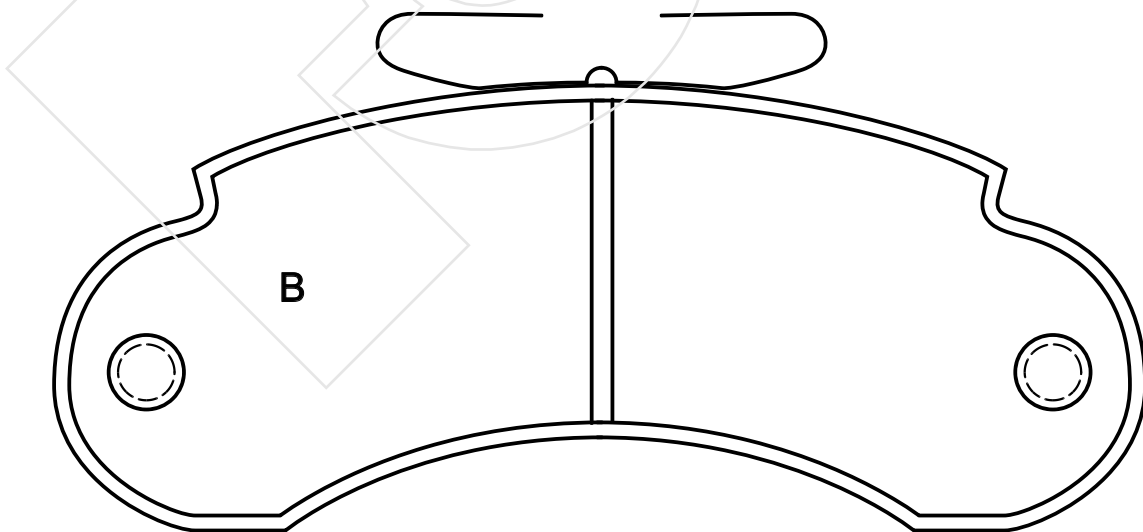
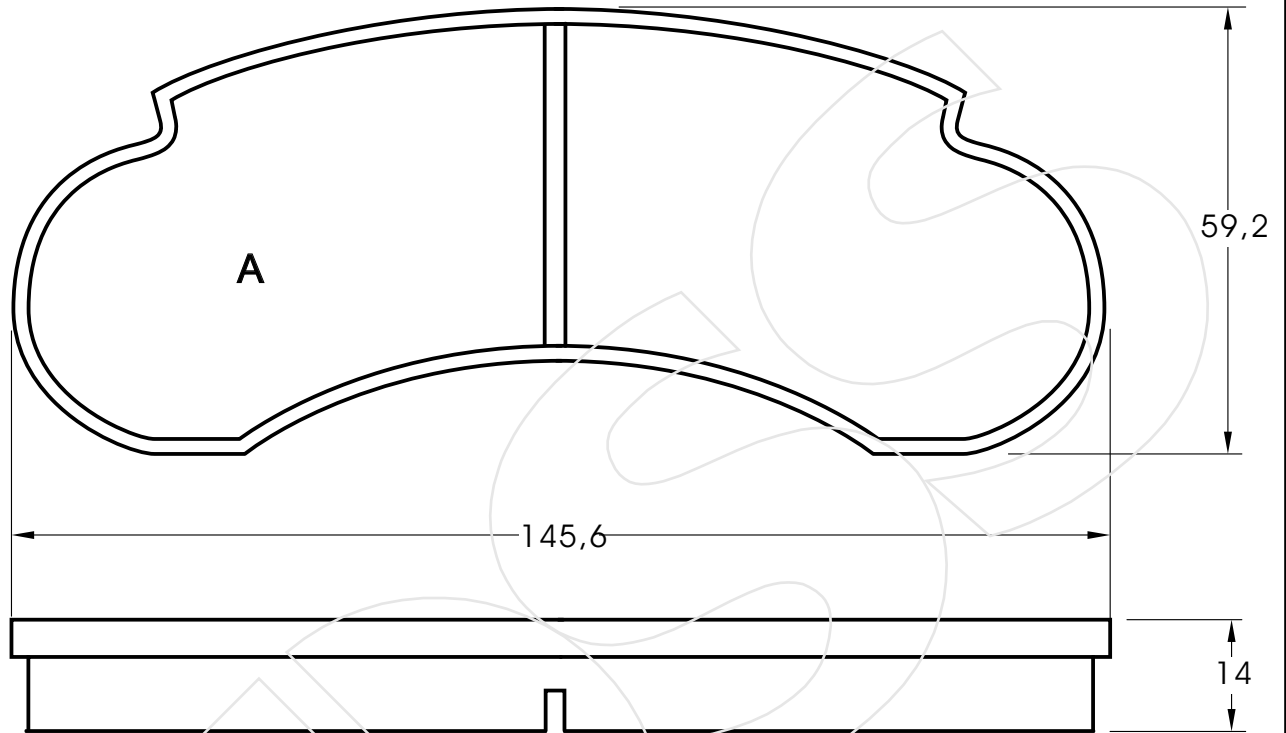
Reference in this Catalogue to other manufactures and to part numbers and other descriptions are for identification purposes only, because the above DISC BRAKE PADS are NOT ORIGINAL but with these interchangeable.

CODICE	IMPIANTO	ASSE	SCALA	APPLICAZIONI
<b>R-489</b>	SUMITOMO	ANTERIORE	1:1	MAZDA
CODICE COMPONENTI	N°	L(mm)	SERIE	
*	*	*	2 PEZZI TIPO A	
M0044	2	*	2 PEZZI TIPO B	
*	*	*		
*	*	*		
CODICE ACCESSORI	N°	L(mm)	NOTE	
			*	
	*		*	
*	*		*	
*	*		*	



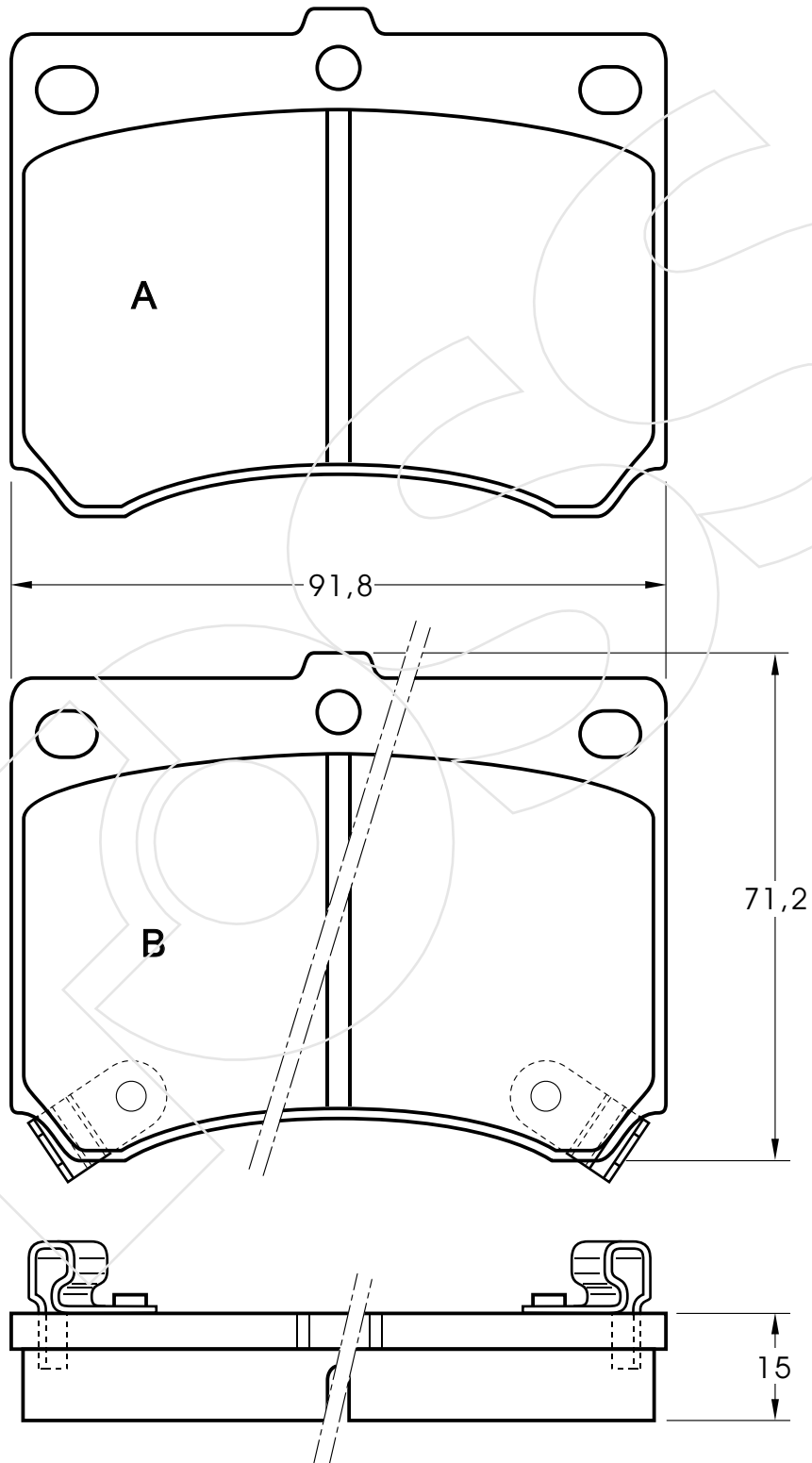
Reference in this Catalogue to other manufactures and to part numbers and other descriptions are for identification purposes only, because the above DISC BRAKE PADS are NOT ORIGINAL but with these interchangeable.

CODICE	IMPIANTO		ASSE	SCALA	APPLICAZIONI
<b>R-490</b>	BENDIX		ANTERIORE	1:1	MERCEDES
CODICE COMPONENTI	N°	L(mm)	SERIE		
*	*	*	2 PEZZI TIPO A		
M0085+P1008	2+2	*	2 PEZZI TIPO B		
*	*	*			
*	*	*			
CODICE ACCESSORI	N°	L(mm)	NOTE		
			*		
	*		*		
*	*		*		
*	*		*		



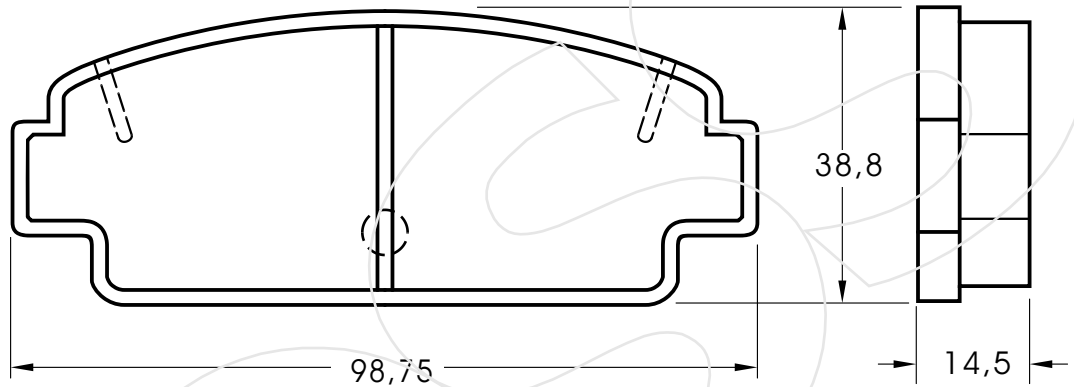
Reference in this Catalogue to other manufactures and to part numbers and other descriptions are for identification purposes only, because the above DISC BRAKE PADS are NOT ORIGINAL but with these interchangeable.

CODICE	IMPIANTO	ASSE	SCALA	APPLICAZIONI
<b>R-491</b>	AKEBONO	ANTERIORE	1:1	MAZDA
CODICE COMPONENTI	N°	L(mm)	SERIE	
*	*	*	2 PEZZI TIPO A	
M0044	2	*	2 PEZZI TIPO B	
*	*	*		
*	*	*		
CODICE ACCESSORI	N°	L(mm)	NOTE	
			*	
	*		*	
*	*		*	
*	*		*	



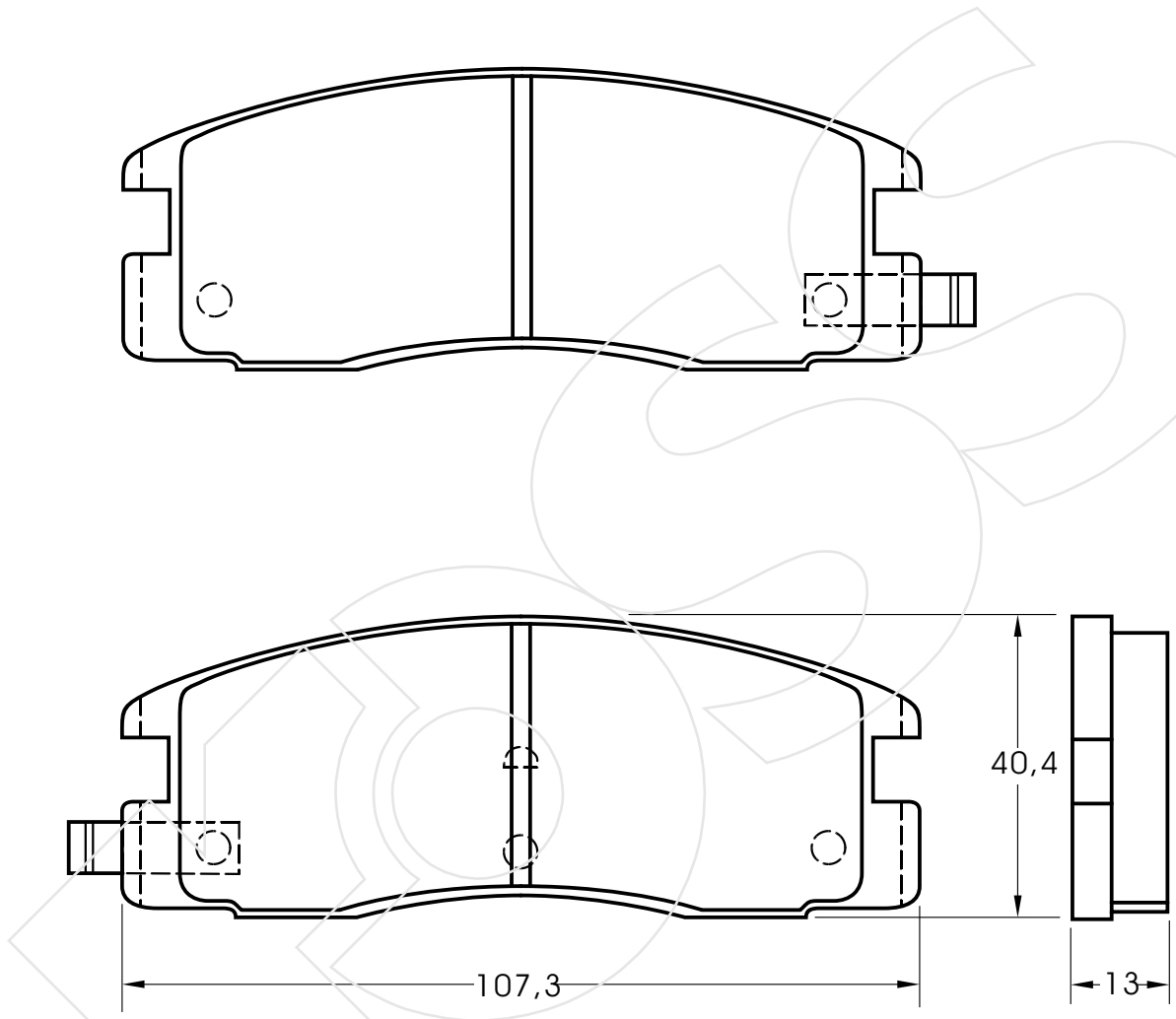
Reference in this Catalogue to other manufactures and to part numbers and other descriptions are for identification purposes only, because the above DISC BRAKE PADS are NOT ORIGINAL but with these interchangeable.

CODICE	IMPIANTO	ASSE	SCALA	APPLICAZIONI
<b>R-492</b>	AKEBONO	POSTERIORE	1:1	TOYOTA
CODICE COMPONENTI	N°	L(mm)	SERIE	
*	*	*	4 PEZZI	
*	*			
*	*			
CODICE ACCESSORI	N°	L(mm)	NOTE	
*	*		*	
*	*		*	
*	*		*	
*	*		*	



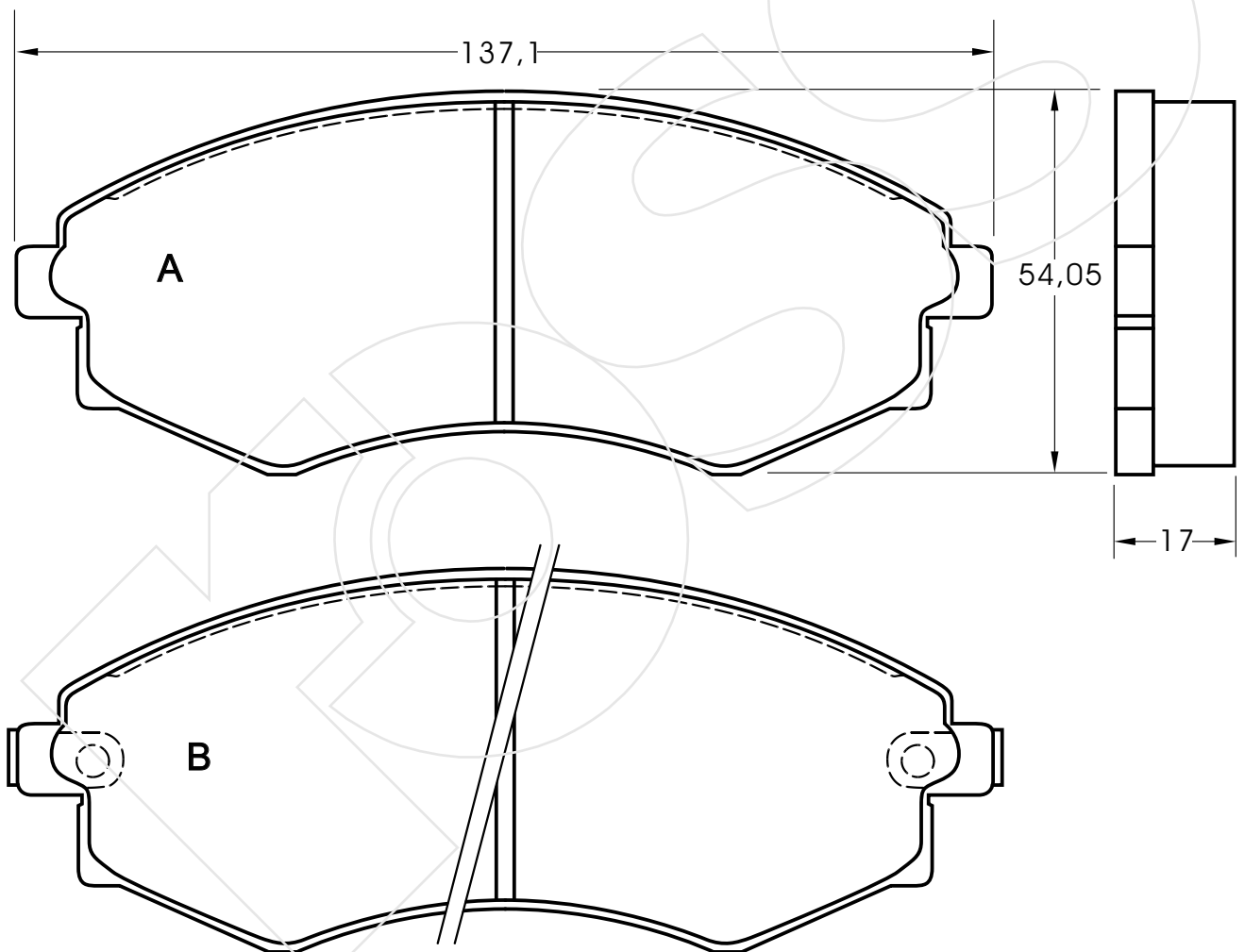
Reference in this Catalogue to other manufactures and to part numbers and other descriptions are for identification purposes only, because the above DISC BRAKE PADS are NOT ORIGINAL but with these interchangeable.

CODICE	IMPIANTO		ASSE	SCALA	APPLICAZIONI
<b>R-493</b>	AKEBONO		POSTERIORE	1:1	TOYOTA
CODICE COMPONENTI	N°	L(mm)	SERIE		
M0086	2	*	2 PEZZI TIPO A		
M0086	2	*	2 PEZZI TIPO B		
*	*	*			
*	*	*			
CODICE ACCESSORI	N°	L(mm)	NOTE		
			*		
	*		*		
*	*		*		
*	*		*		



Reference in this Catalogue to other manufactures and to part numbers and other descriptions are for identification purposes only, because the above DISC BRAKE PADS are NOT ORIGINAL but with these interchangeable.

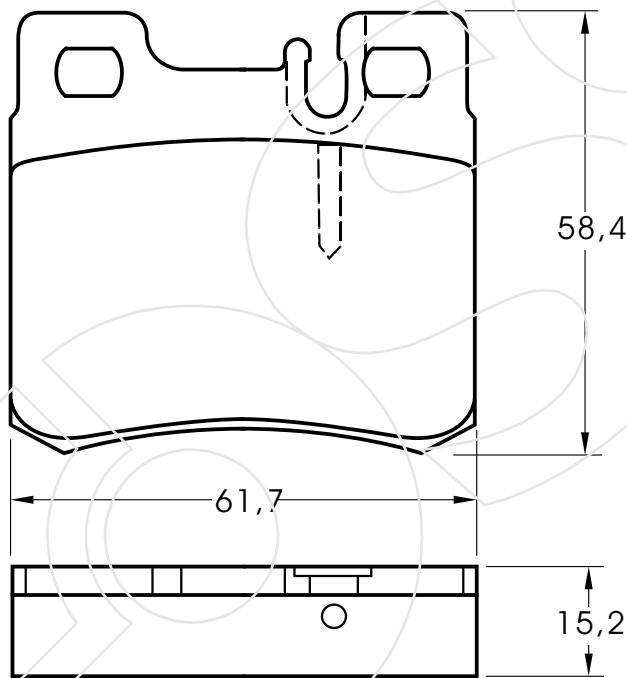
CODICE	IMPIANTO	ASSE	SCALA	APPLICAZIONI
<b>R-494</b>	AKEBONO	ANTERIORE	1:1	HYUNDAI
CODICE COMPONENTI	N°	L(mm)	SERIE	
*	*	*	2 PEZZI TIPO A	
M0074	2	*	2 PEZZI TIPO B	
*	*	*		
*	*	*		
CODICE ACCESSORI	N°	L(mm)	NOTE	
			*	
	*		*	
*	*		*	
*	*		*	



Reference in this Catalogue to other manufactures and to part numbers and other descriptions are for identification purposes only, because the above DISC BRAKE PADS are NOT ORIGINAL but with these interchangeable.

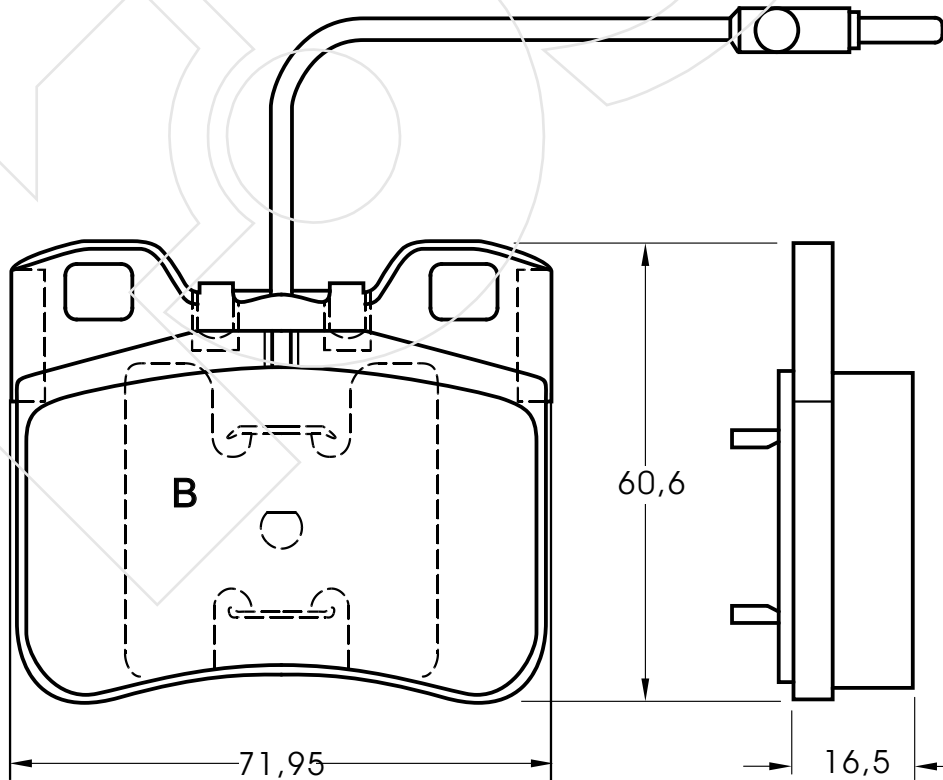
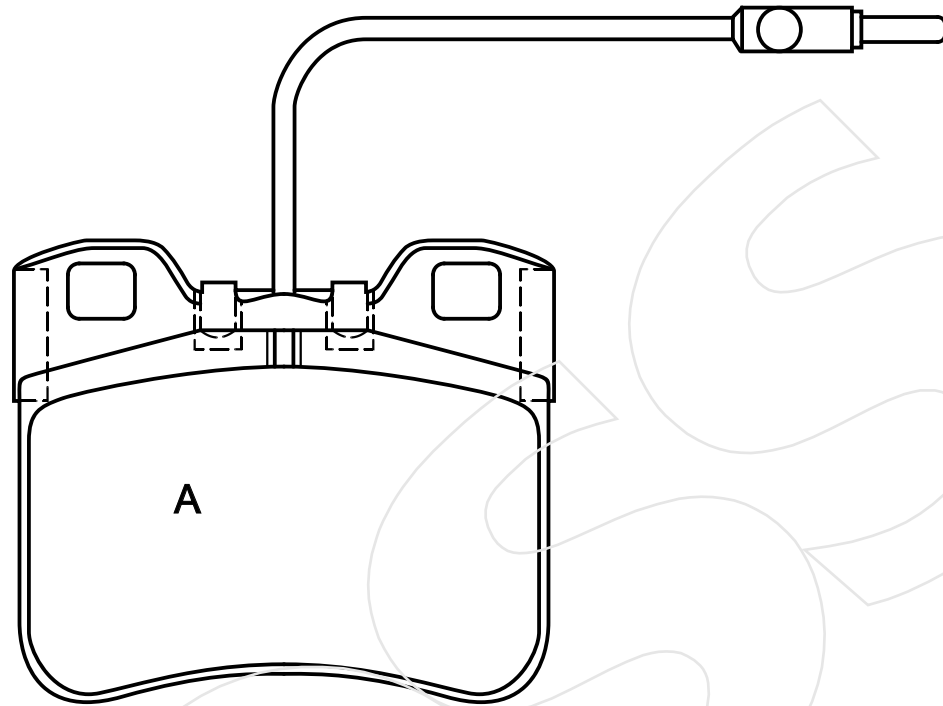


CODICE	IMPIANTO	ASSE	SCALA	APPLICAZIONI
<b>R-495</b>	ATE	POSTERIORE	1:1	MERCEDES
CODICE COMPONENTI	N°	L(mm)	SERIE	
*	*	*	4 PEZZI	
*	*			
*	*			
CODICE ACCESSORI	N°	L(mm)	NOTE	
*	*		*	
*	*		*	
*	*		*	
*	*		*	



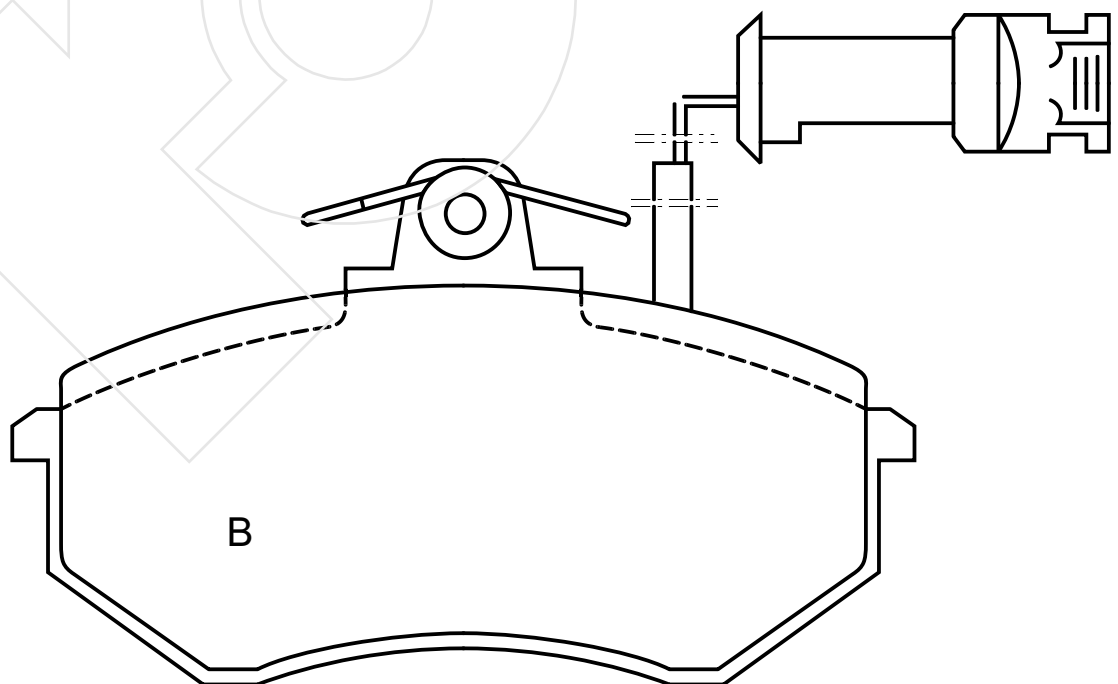
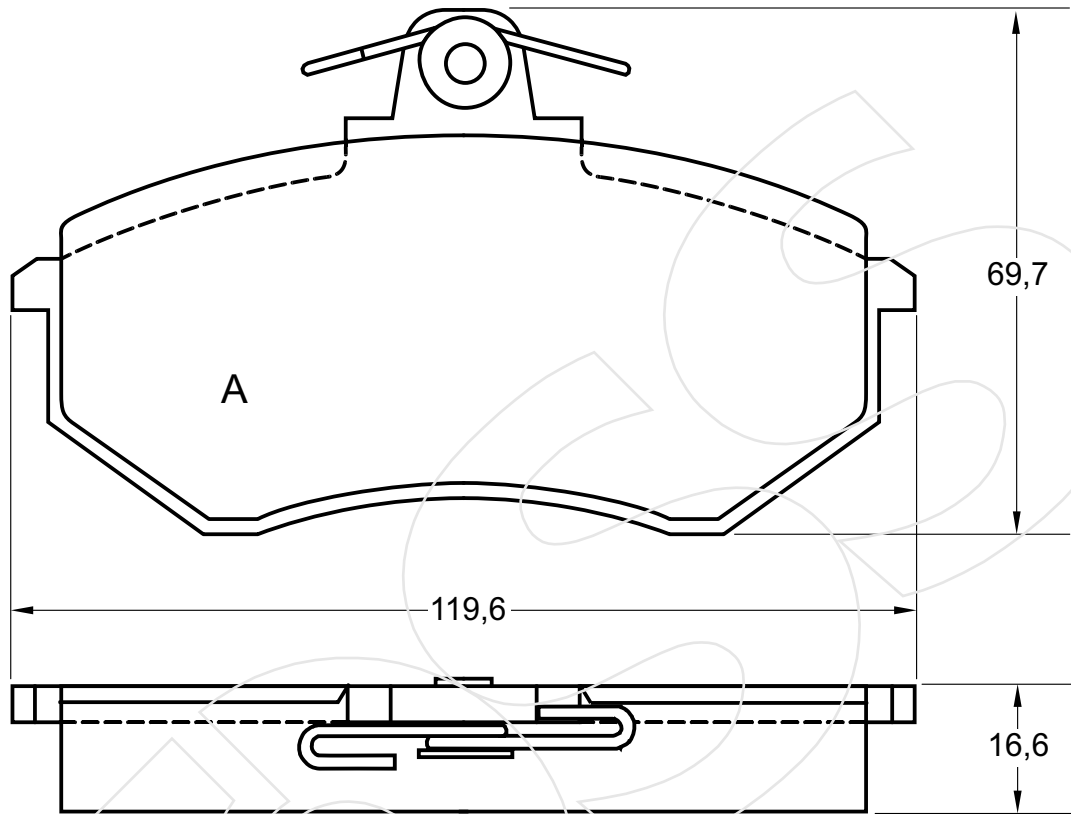
Reference in this Catalogue to other manufactures and to part numbers and other descriptions are for identification purposes only, because the above DISC BRAKE PADS are NOT ORIGINAL but with these interchangeable.

CODICE	IMPIANTO		ASSE	SCALA	APPLICAZIONI
<b>R-496</b>	CITROEN		ANTERIORE	1:1	CITROEN PEUGEOT
CODICE COMPONENTI	N°	L(mm)	SERIE		
F3004	2	175	2 PEZZI TIPO A		
M0087+F3004	2+2	175	2 PEZZI TIPO B		
M0088	4	*			
*	*	*			
CODICE ACCESSORI	N°	L(mm)	NOTE		
			*		
	*		*		
*	*		*		
*	*		*		



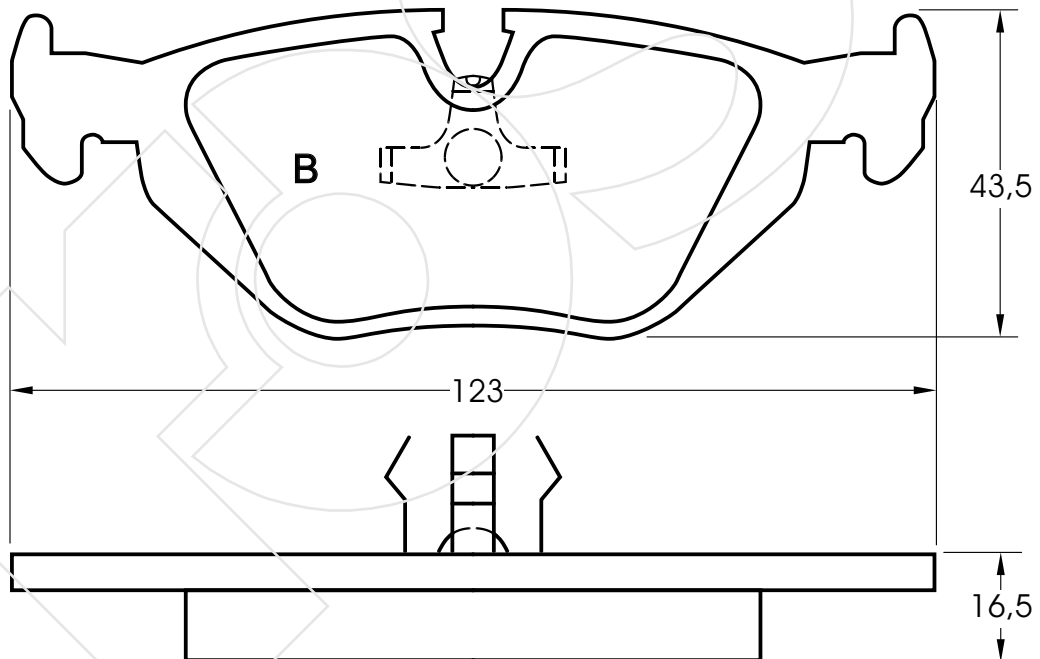
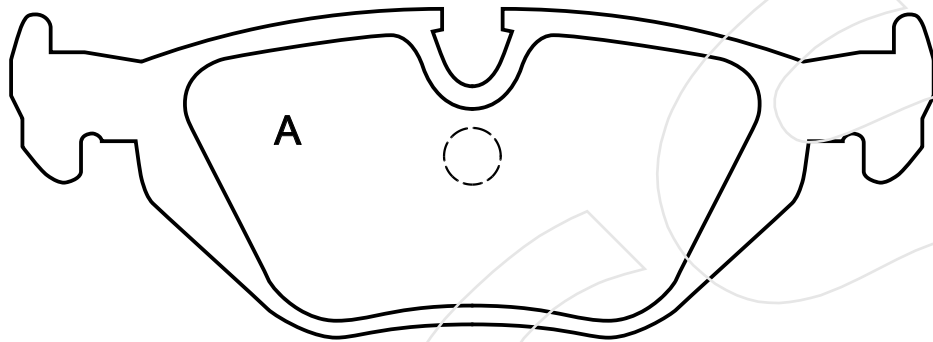
Reference in this Catalogue to other manufactures and to part numbers and other descriptions are for identification purposes only, because the above DISC BRAKE PADS are NOT ORIGINAL but with these interchangeable.

CODICE	IMPIANTO		ASSE	SCALA	APPLICAZIONI
<b>R-497</b>	GIRLING		ANTERIORE	1:1	AUDI VW
CODICE COMPONENTI	N°	L(mm)	SERIE		
M0013+P1012	2+2	*	2 PEZZI TIPO A		
M0013+P1012+F3028	2+2+2	250	2 PEZZI TIPO B		
*	*	*			
CODICE ACCESSORI	N°	L(mm)	NOTE		
*	*		*		
*	*		*		
*	*		*		
*	*		*		



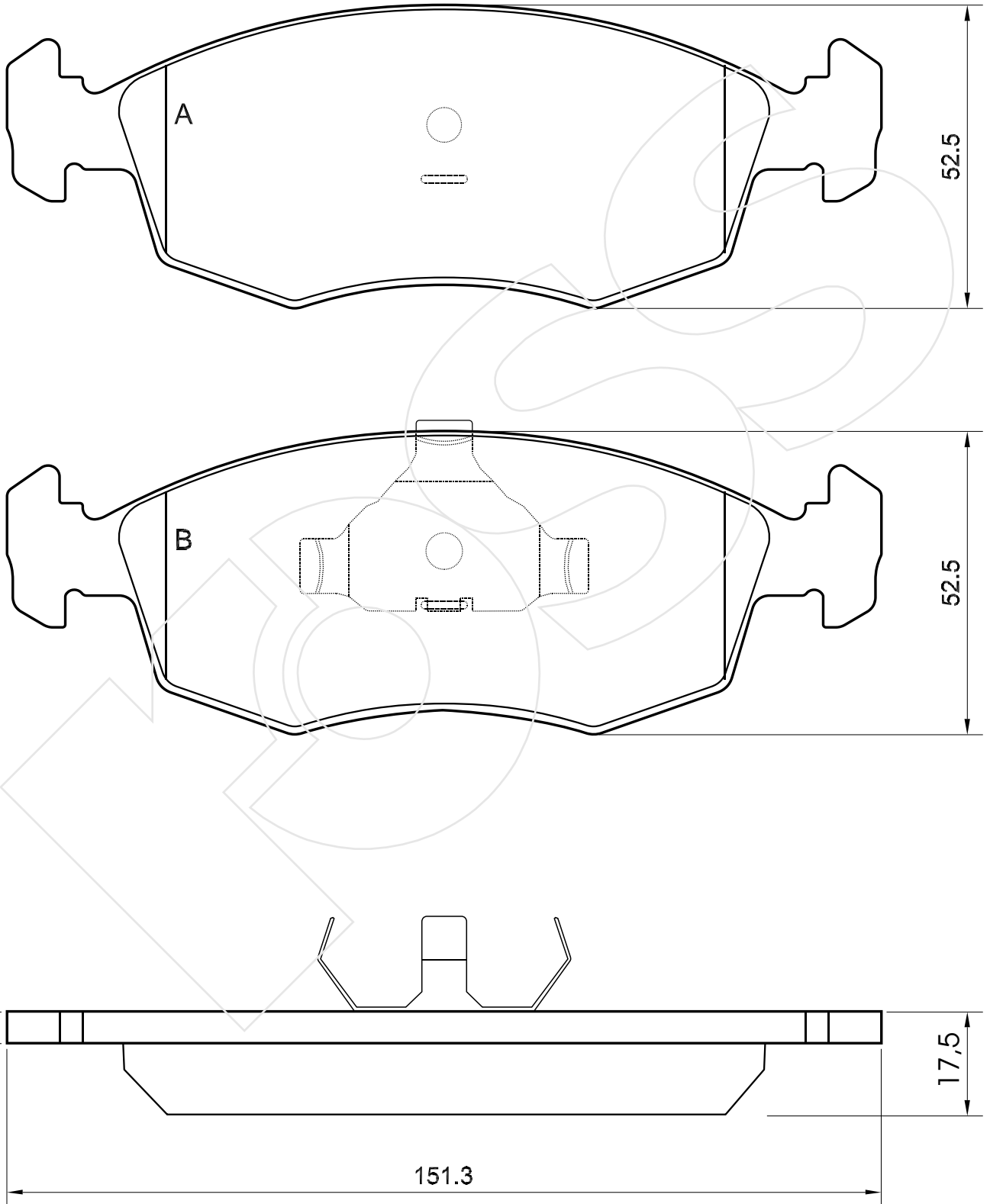
Reference in this Catalogue to other manufactures and to part numbers and other descriptions are for identification purposes only, because the above DISC BRAKE PADS are NOT ORIGINAL but with these interchangeable.

CODICE	IMPIANTO		ASSE	SCALA	APPLICAZIONI
<b>R-498</b>	ATE		POSTERIORE	1:1	BMW
CODICE COMPONENTI	N°	L(mm)	SERIE		
*	*	*	2 PEZZI TIPO A		
M0068+P1002	2+2	*	2 PEZZI TIPO B		
*	*	*			
*	*	*			
CODICE ACCESSORI	N°	L(mm)	NOTE		
			*		
	*		*		
*	*		*		
*	*		*		



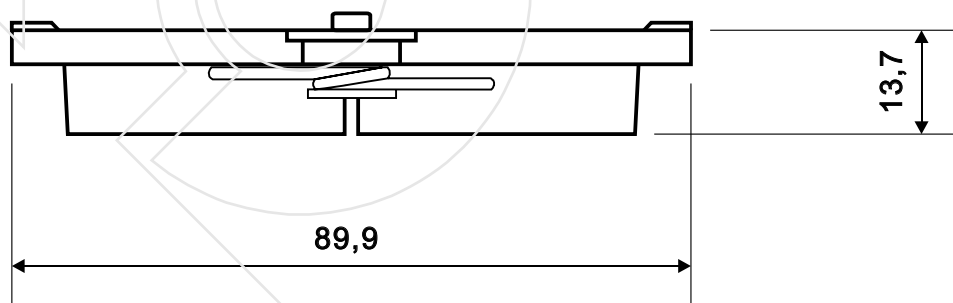
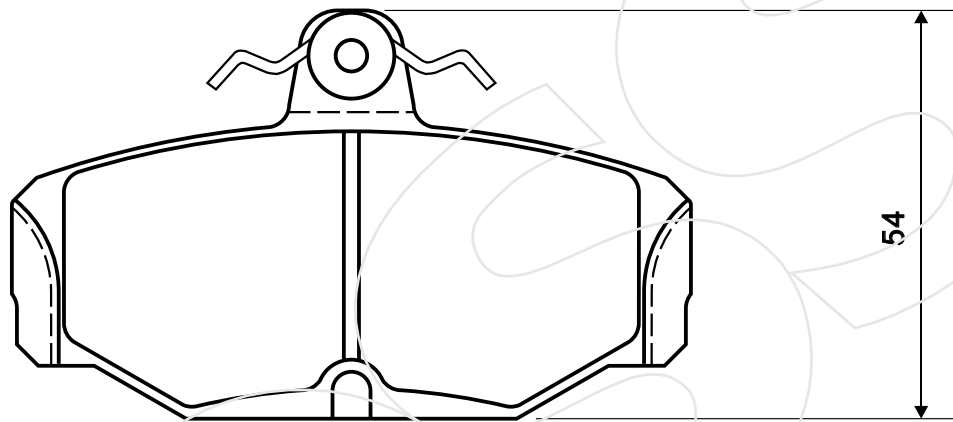
Reference in this Catalogue to other manufactures and to part numbers and other descriptions are for identification purposes only, because the above DISC BRAKE PADS are NOT ORIGINAL but with these interchangeable.

CODICE	IMPIANTO		ASSE	SCALA	APPLICAZIONI
<b>R-499</b>	ATE		ANTERIORE	100%	FORD
CODICE COMPONENTI	N°	L(mm)	SERIE		
*	*	*	2 PEZZI TIPO A		
M0029+P1002	2+2	*	2 PEZZI TIPO B		
*	*	*	*		
*	*	*	*		
CODICE ACCESSORI	N°	L(mm)	NOTE		
*	*	*			
*	*	*			
*	*	*			
*	*	*			



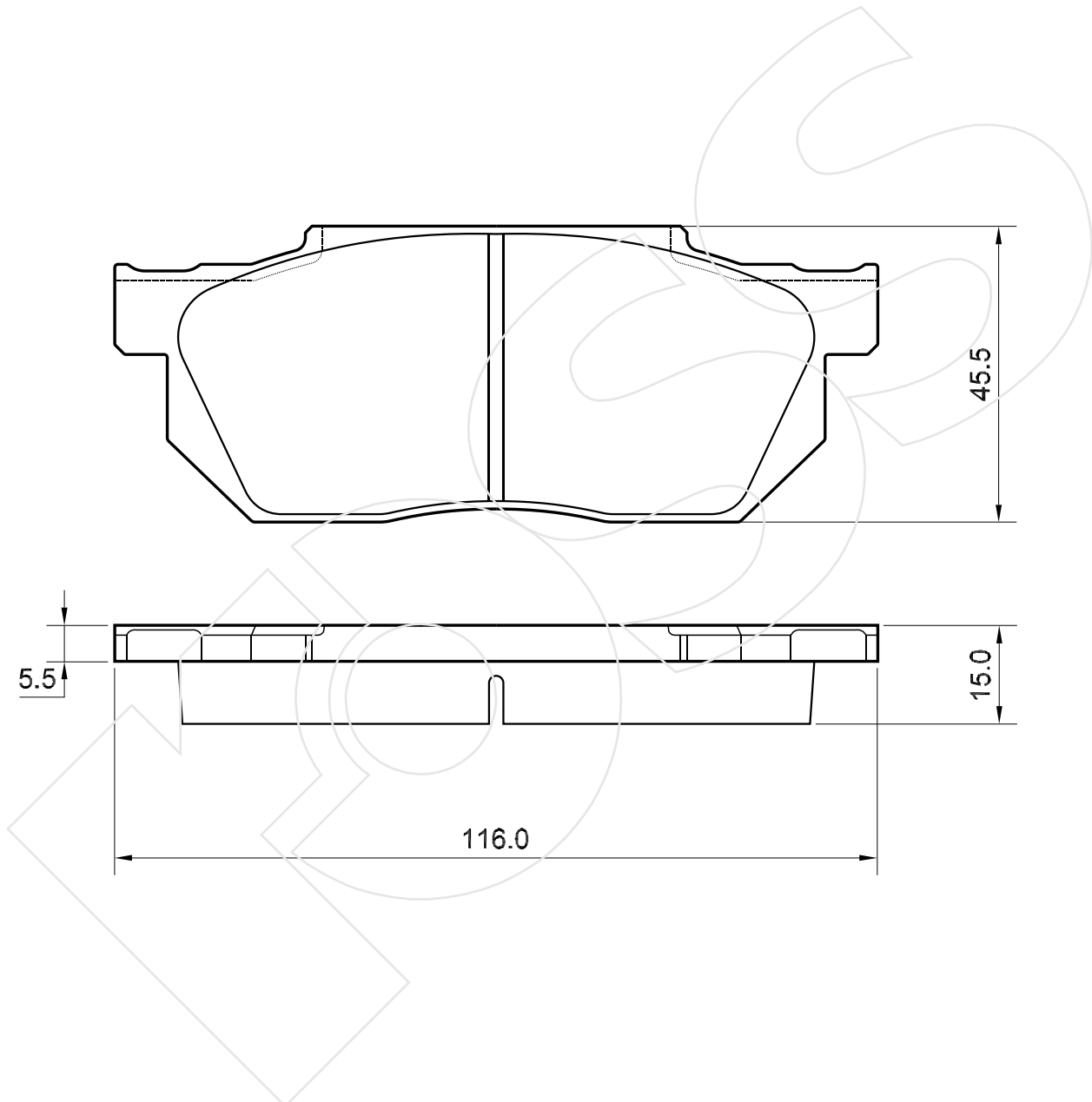
Reference in this Catalogue to other manufactures and to part numbers and other descriptions are for identification purposes only, because the above DISC BRAKE PADS are NOT ORIGINAL but with these interchangeable.

CODICE	IMPIANTO		ASSE	SCALA	APPLICAZIONI
<b>R-500</b>	GIRLING		POSTERIORE	1:1	FORD
CODICE COMPONENTI	N°	L(mm)	SERIE		
M0030+P1011	4+4	*	4 PEZZI		
*	*				
*	*				
CODICE ACCESSORI	N°	L(mm)	NOTE		
*	*				
*	*				
*	*				
*	*				



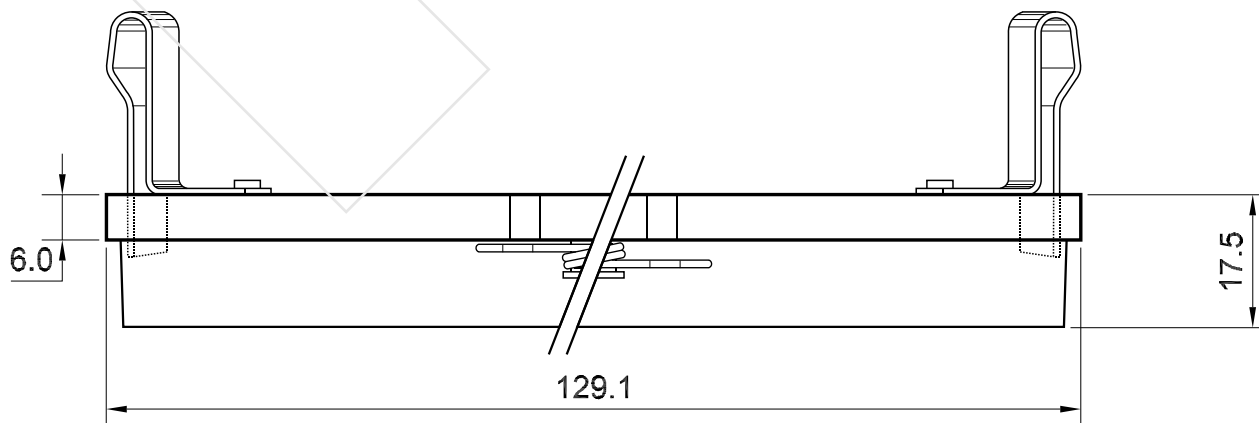
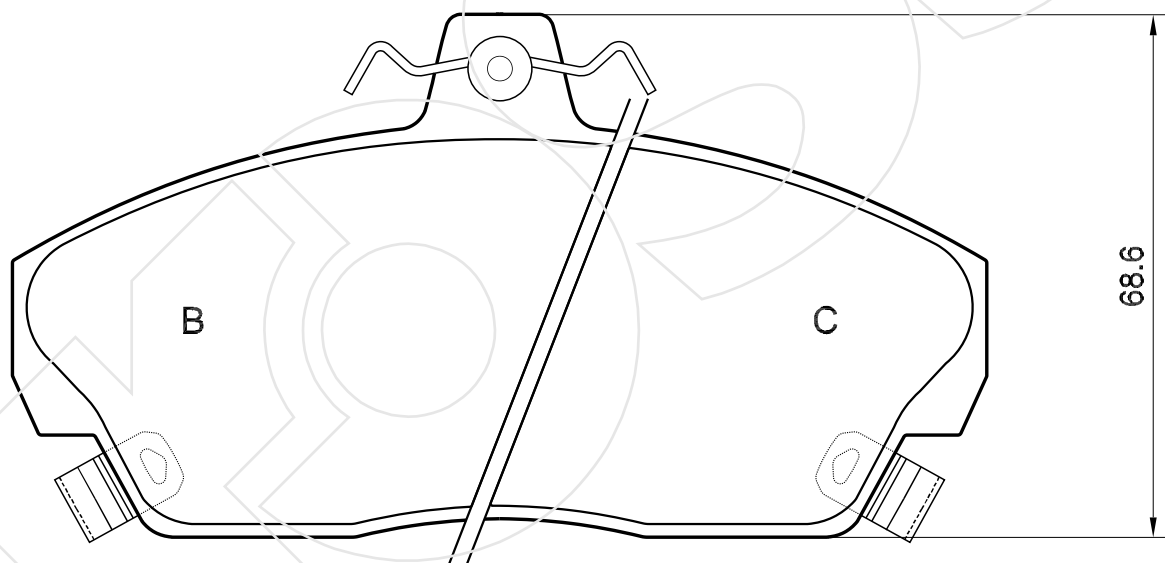
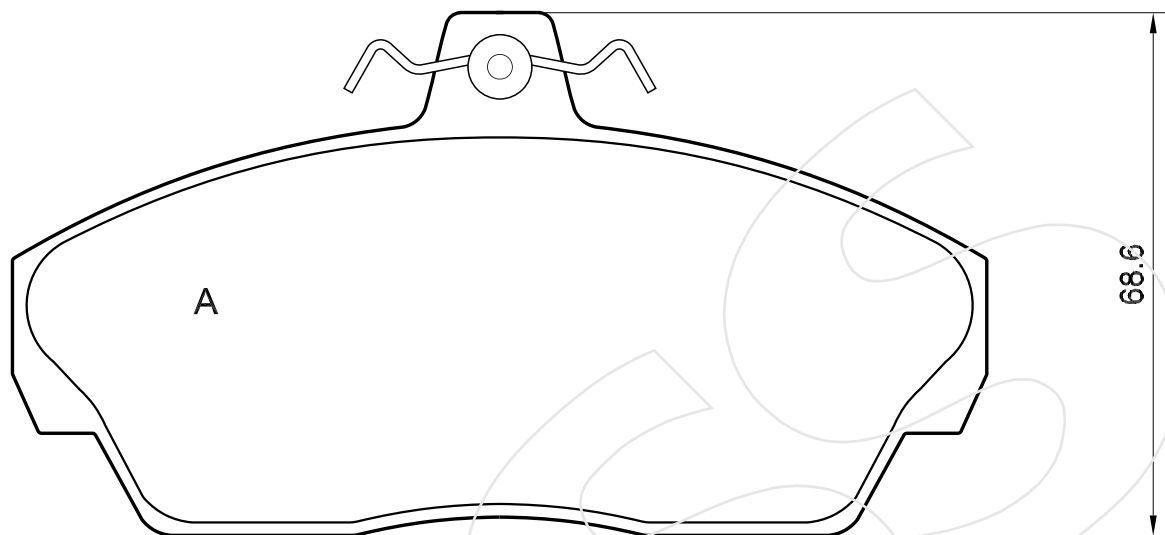
Reference in this Catalogue to other manufactures and to part numbers and other descriptions are for identification purposes only, because the above DISC BRAKE PADS are NOT ORIGINAL but with these interchangeable.

CODICE	IMPIANTO		ASSE	SCALA	APPLICAZIONI
<b>R-501</b>	AKEBONO		ANTERIORE	1:1	HONDA
CODICE COMPONENTI	N°	L(mm)	SERIE		
*	*	*	4 PEZZI		
*	*				
*	*				
CODICE ACCESSORI	N°	L(mm)	NOTE		
*	*				
*	*				
*	*				
*	*				



Reference in this Catalogue to other manufactures and to part numbers and other descriptions are for identification purposes only, because the above DISC BRAKE PADS are NOT ORIGINAL but with these interchangeable.

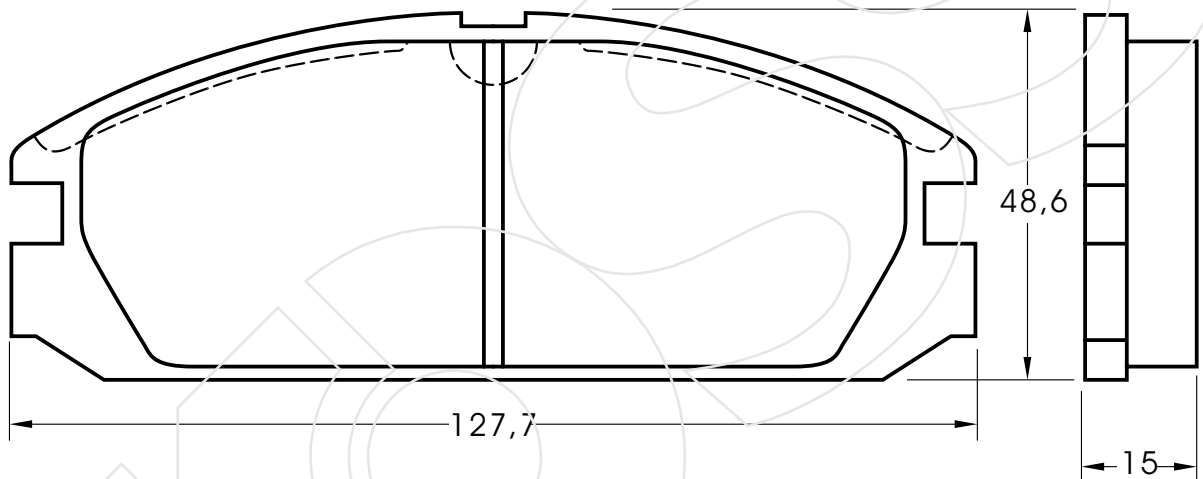
CODICE	IMPIANTO		ASSE	SCALA	APPLICAZIONI
<b>R-502</b>	GIRLING		ANTERIORE	100%	HONDA ROVER
CODICE COMPONENTI	N°	L(mm)	SERIE		
M0030+P1012	4+4	*	2 PEZZI TIPO A		
M0084	1	*	1 PEZZO TIPO B		
M0084	1	*	1 PEZZO TIPO C		
*	*	*	*		
CODICE ACCESSORI	N°	L(mm)	NOTE		
*	*	*			
*	*	*			
*	*	*			
*	*	*			



Reference in this Catalogue to other manufactures and to part numbers and other descriptions are for identification purposes only, because the above DISC BRAKE PADS are NOT ORIGINAL but with these interchangeable.

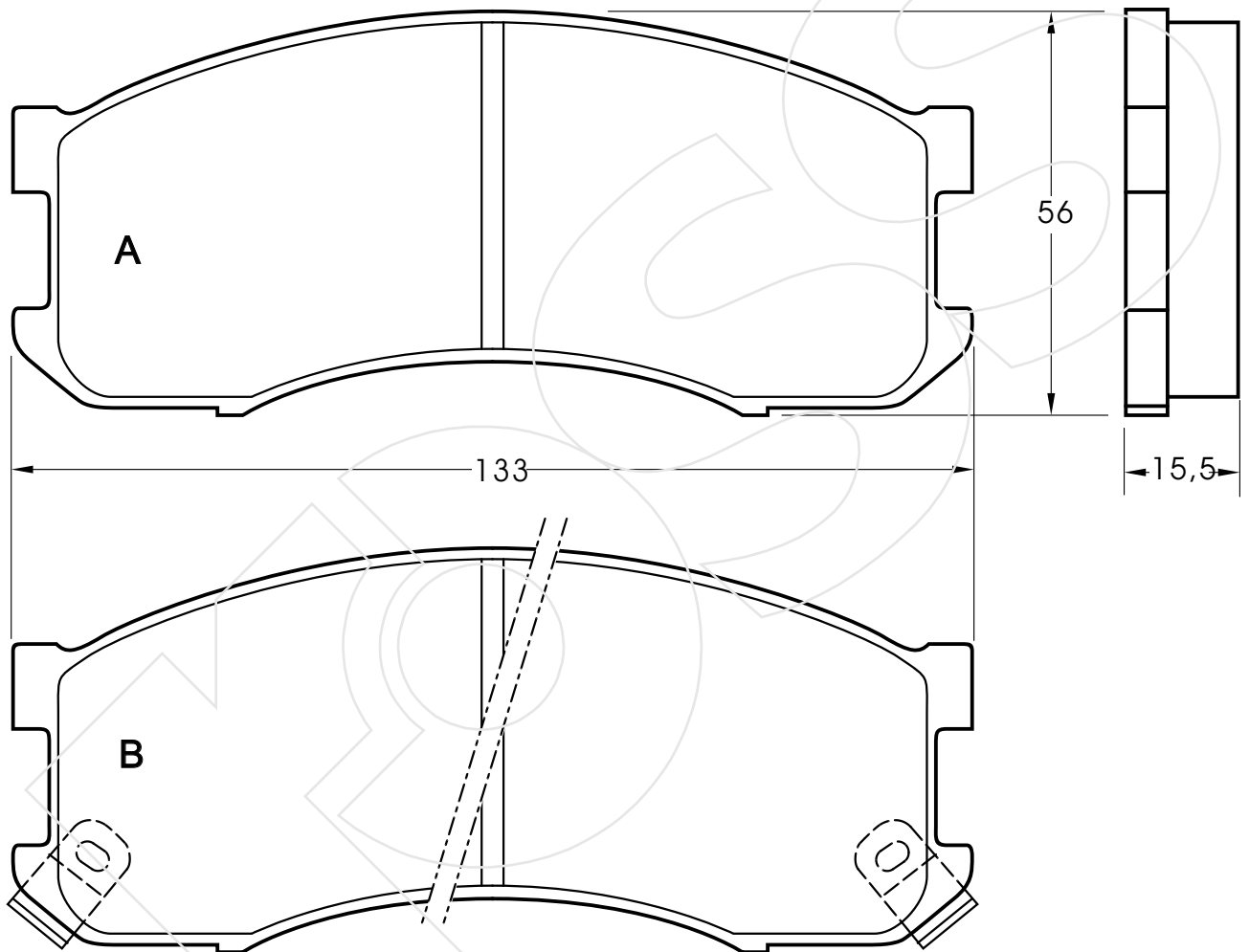


CODICE	IMPIANTO		ASSE	SCALA	APPLICAZIONI
<b>R-503</b>	AKEBONO		ANTERIORE	1:1	HONDA
CODICE COMPONENTI	N°	L(mm)	SERIE		
*	*	*	4 PEZZI		
*	*				
*	*				
CODICE ACCESSORI	N°	L(mm)	NOTE		
*	*		*		
*	*		*		
*	*		*		
*	*		*		



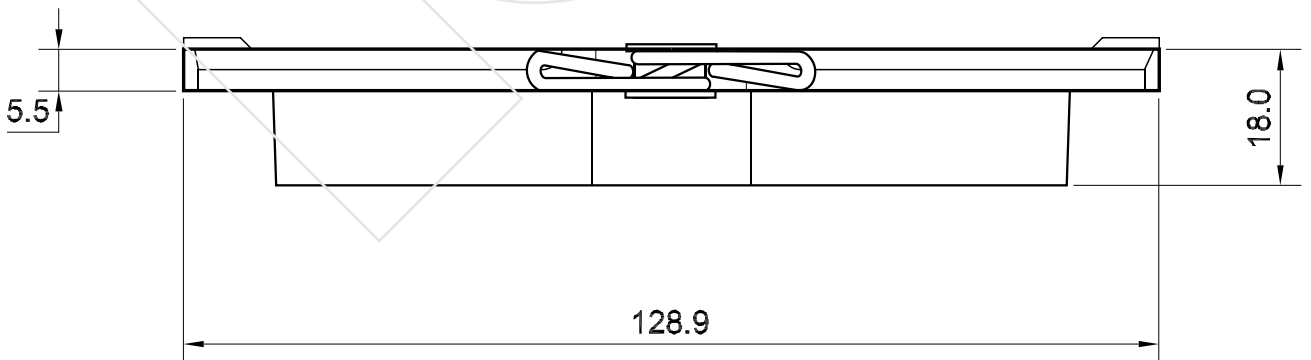
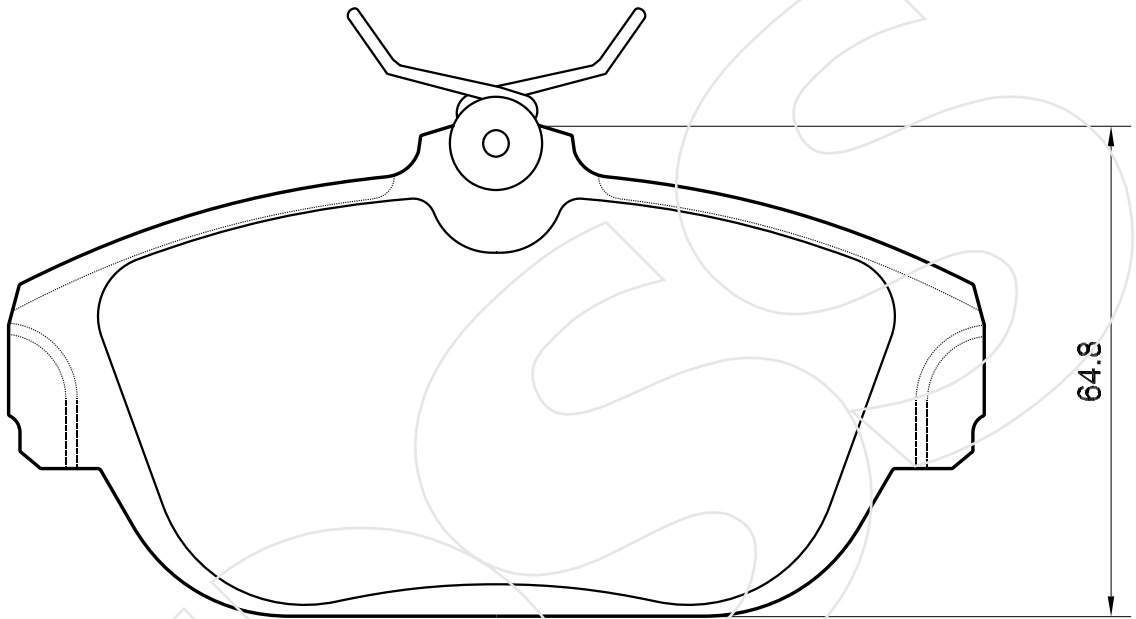
Reference in this Catalogue to other manufactures and to part numbers and other descriptions are for identification purposes only, because the above DISC BRAKE PADS are NOT ORIGINAL but with these interchangeable.

CODICE	IMPIANTO		ASSE	SCALA	APPLICAZIONI
<b>R-504</b>	AKEBONO		ANTERIORE	1:1	MAZDA
CODICE COMPONENTI	N°	L(mm)	SERIE		
*	*	*	2 PEZZI TIPO A		
M0089	2	*	2 PEZZI TIPO B		
*	*	*			
*	*	*			
CODICE ACCESSORI	N°	L(mm)	NOTE		
			*		
	*		*		
*	*		*		
*	*		*		



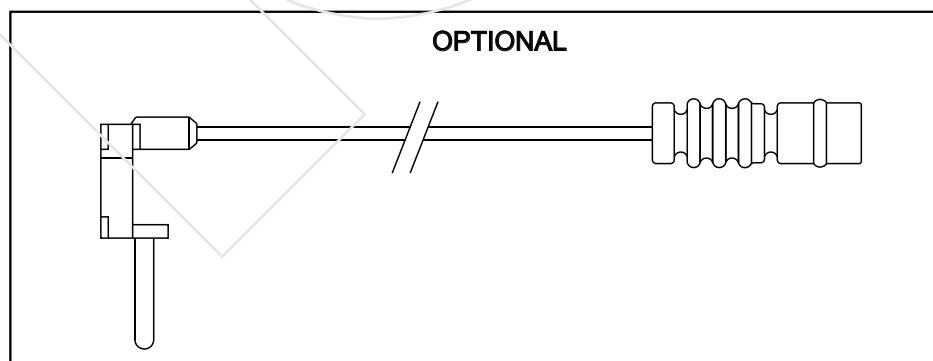
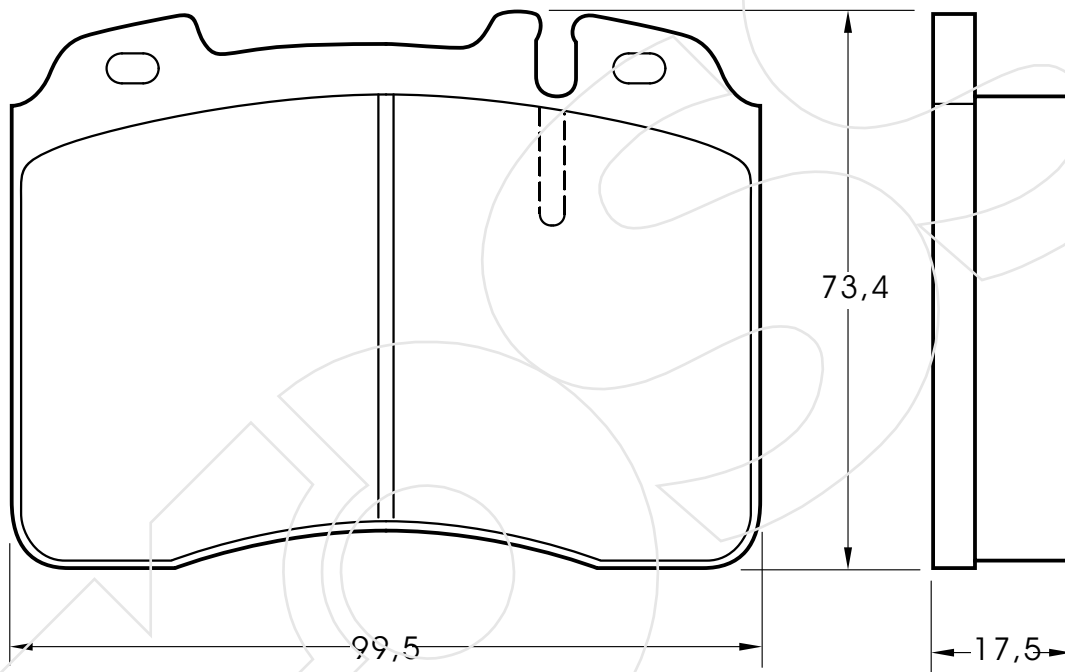
Reference in this Catalogue to other manufactures and to part numbers and other descriptions are for identification purposes only, because the above DISC BRAKE PADS are NOT ORIGINAL but with these interchangeable.

CODICE	IMPIANTO		ASSE	SCALA	APPLICAZIONI
<b>R-505</b>	GIRLING		ANTERIORE	100%	VOLVO
CODICE COMPONENTI	N°	L(mm)	SERIE		
M0015	4	*	4 PEZZI		
*	*	*	*		
*	*	*	*		
*	*	*	*		
CODICE ACCESSORI	N°	L(mm)	NOTE		
*	*	*			
*	*	*			
*	*	*			
*	*	*			



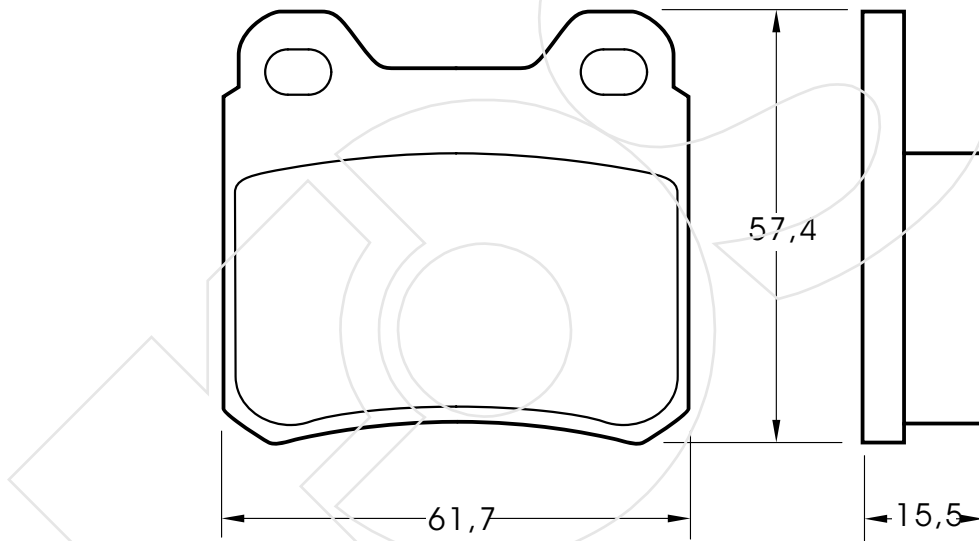
Reference in this Catalogue to other manufactures and to part numbers and other descriptions are for identification purposes only, because the above DISC BRAKE PADS are NOT ORIGINAL but with these interchangeable.

CODICE	IMPIANTO		ASSE	SCALA	APPLICAZIONI
<b>R-506</b>	ATE		ANTERIORE	1:1	MERCEDES
CODICE COMPONENTI	N°	L(mm)	SERIE		
*	*	*	4 PEZZI		
*	*				
*	*				
OPTIONAL	N°	L(mm)	NOTE		
F3082	2	130	*		
*	*		*		
*	*		*		
*	*		*		



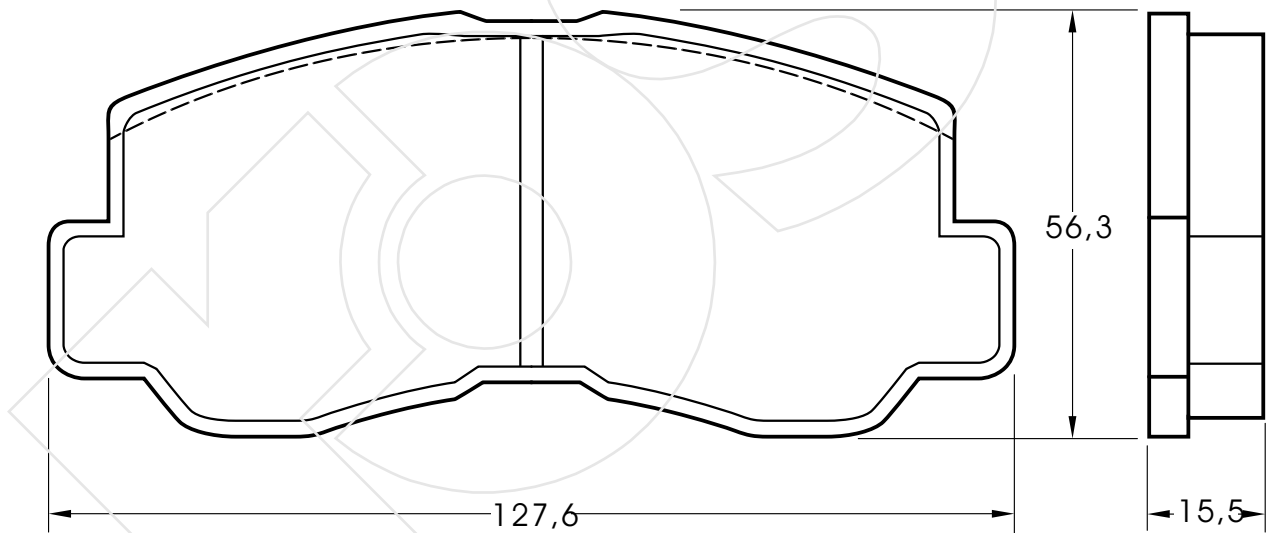
Reference in this Catalogue to other manufactures and to part numbers and other descriptions are for identification purposes only, because the above DISC BRAKE PADS are NOT ORIGINAL but with these interchangeable.

CODICE	IMPIANTO		ASSE	SCALA	APPLICAZIONI
<b>R-507</b>	ATE		POSTERIORE	1:1	MERCEDES
CODICE COMPONENTI	N°	L(mm)	SERIE		
*	*	*	4 PEZZI		
*	*				
*	*				
CODICE ACCESSORI	N°	L(mm)	NOTE		
*	*				
*	*				
*	*				
*	*				



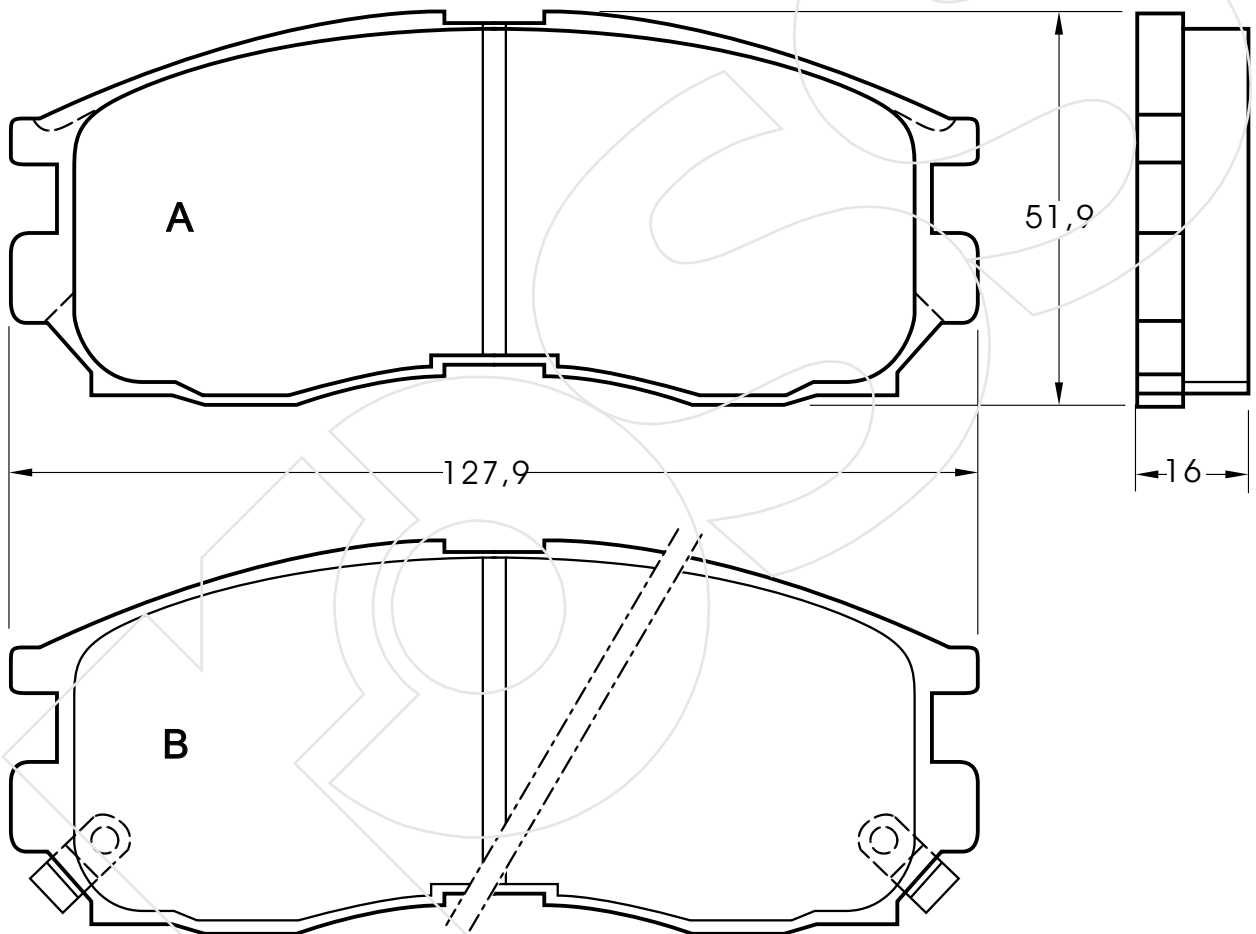
Reference in this Catalogue to other manufactures and to part numbers and other descriptions are for identification purposes only, because the above DISC BRAKE PADS are NOT ORIGINAL but with these interchangeable.

CODICE	IMPIANTO		ASSE	SCALA	APPLICAZIONI
<b>R-508</b>	AKEBONO		ANTERIORE	1:1	MITSUBISHI
CODICE COMPONENTI	N°	L(mm)	SERIE		
*	*	*	4 PEZZI		
*	*				
*	*				
CODICE ACCESSORI	N°	L(mm)	NOTE		
*	*				
*	*				
*	*				
*	*				



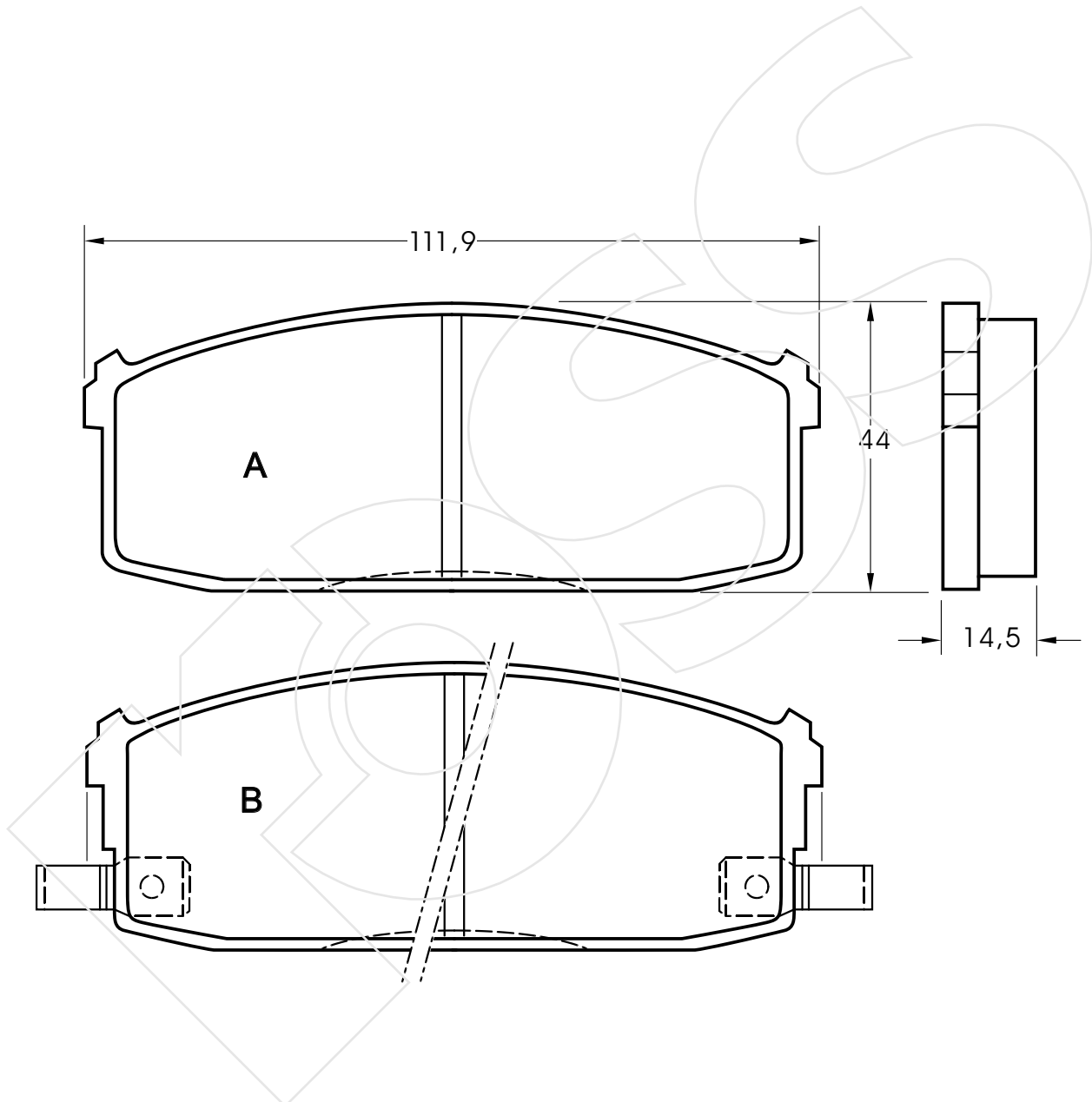
Reference in this Catalogue to other manufactures and to part numbers and other descriptions are for identification purposes only, because the above DISC BRAKE PADS are NOT ORIGINAL but with these interchangeable.

CODICE	IMPIANTO		ASSE	SCALA	APPLICAZIONI
<b>R-509</b>	AKEBONO		ANTERIORE	1:1	MITSUBISHI
CODICE COMPONENTI	N°	L(mm)	SERIE		
*	*	*	2 PEZZI TIPO A		
M0060	2	*	2 PEZZI TIPO B		
*	*	*			
*	*	*			
CODICE ACCESSORI	N°	L(mm)	NOTE		
			*		
	*		*		
*	*		*		
*	*		*		



Reference in this Catalogue to other manufactures and to part numbers and other descriptions are for identification purposes only, because the above DISC BRAKE PADS are NOT ORIGINAL but with these interchangeable.

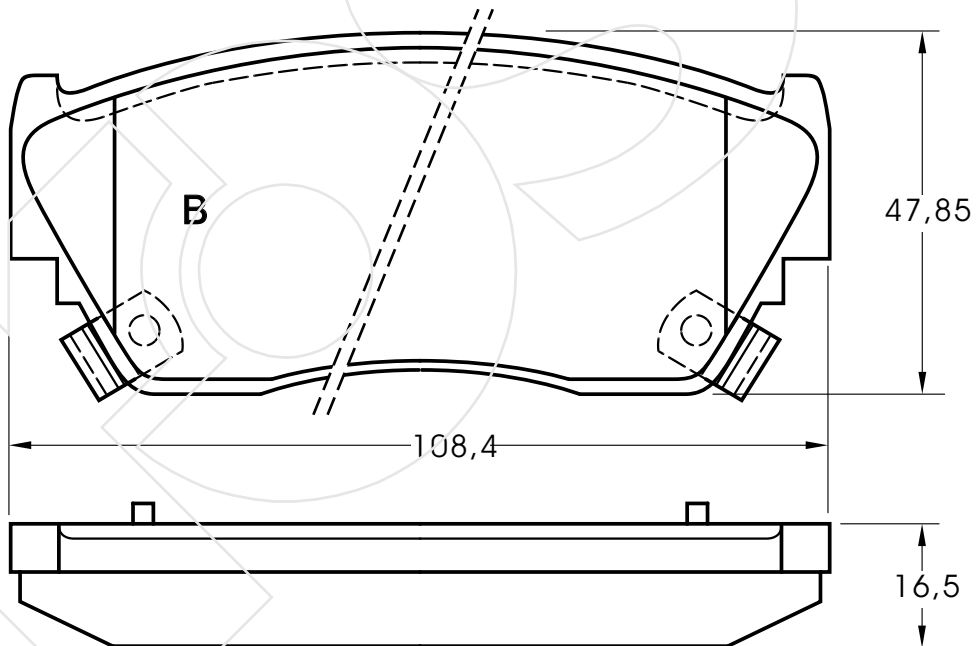
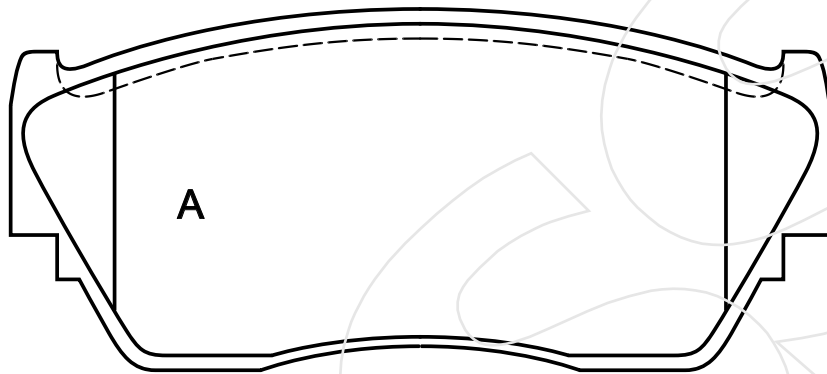
CODICE	IMPIANTO	ASSE	SCALA	APPLICAZIONI
<b>R-510</b>	AKEBONO	ANTERIORE	1:1	NISSAN-DATSUN
CODICE COMPONENTI	N°	L(mm)	SERIE	
*	*	*	2 PEZZI TIPO A	
M0090	2	*	2 PEZZI TIPO B	
*	*	*		
*	*	*		
CODICE ACCESSORI	N°	L(mm)	NOTE	
			*	
	*		*	
*	*		*	
*	*		*	



Reference in this Catalogue to other manufactures and to part numbers and other descriptions are for identification purposes only, because the above DISC BRAKE PADS are NOT ORIGINAL but with these interchangeable.

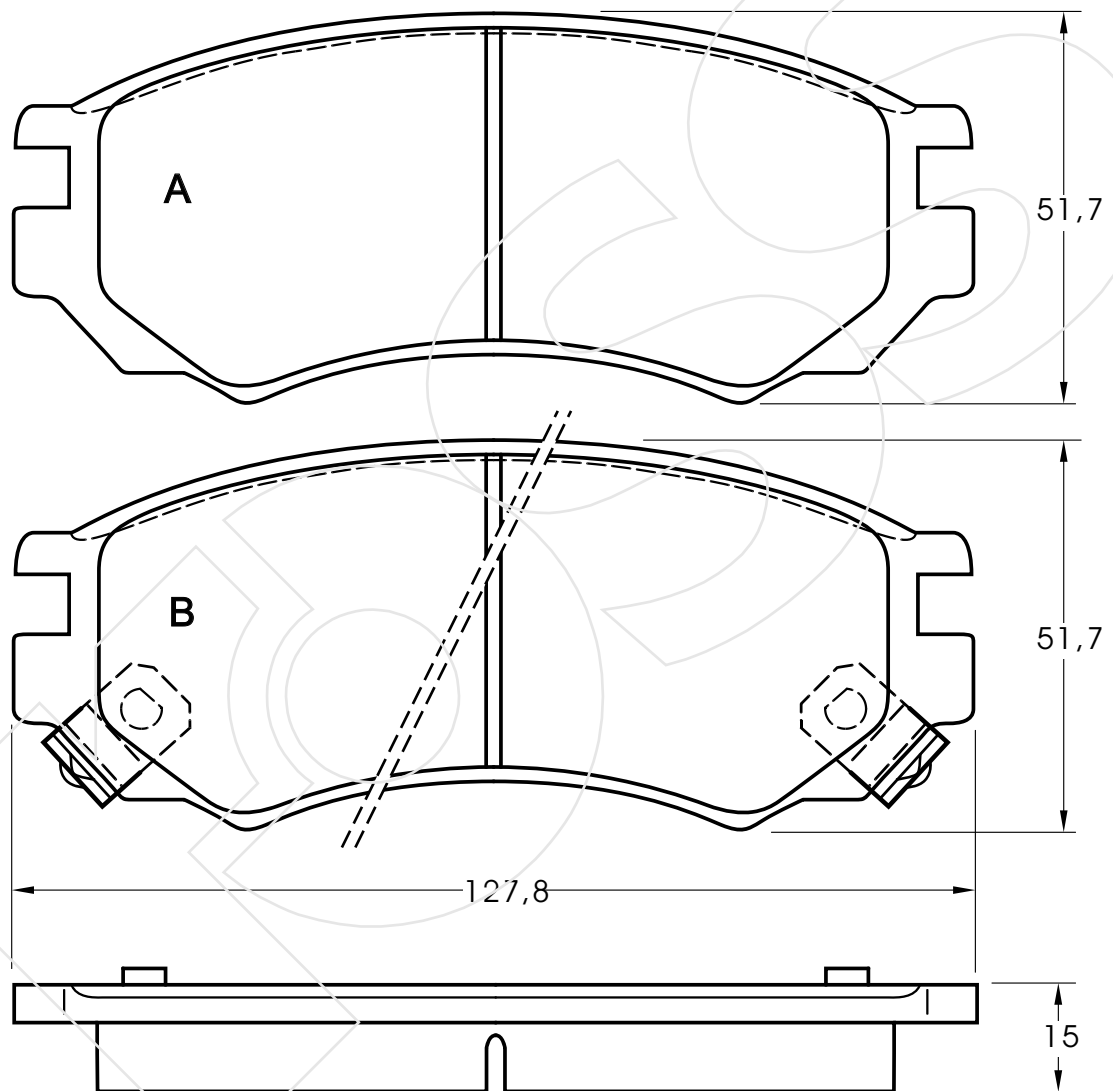


CODICE	IMPIANTO		ASSE	SCALA	APPLICAZIONI
<b>R-511</b>	AKEBONO		ANTERIORE	1:1	NISSAN-DATSUN
CODICE COMPONENTI	N°	L(mm)	SERIE		
*	*	*	2 PEZZI TIPO A		
M0036	2	*	2 PEZZI TIPO B		
*	*	*			
*	*	*			
CODICE ACCESSORI	N°	L(mm)	NOTE		
			*		
	*		*		
*	*		*		
*	*		*		



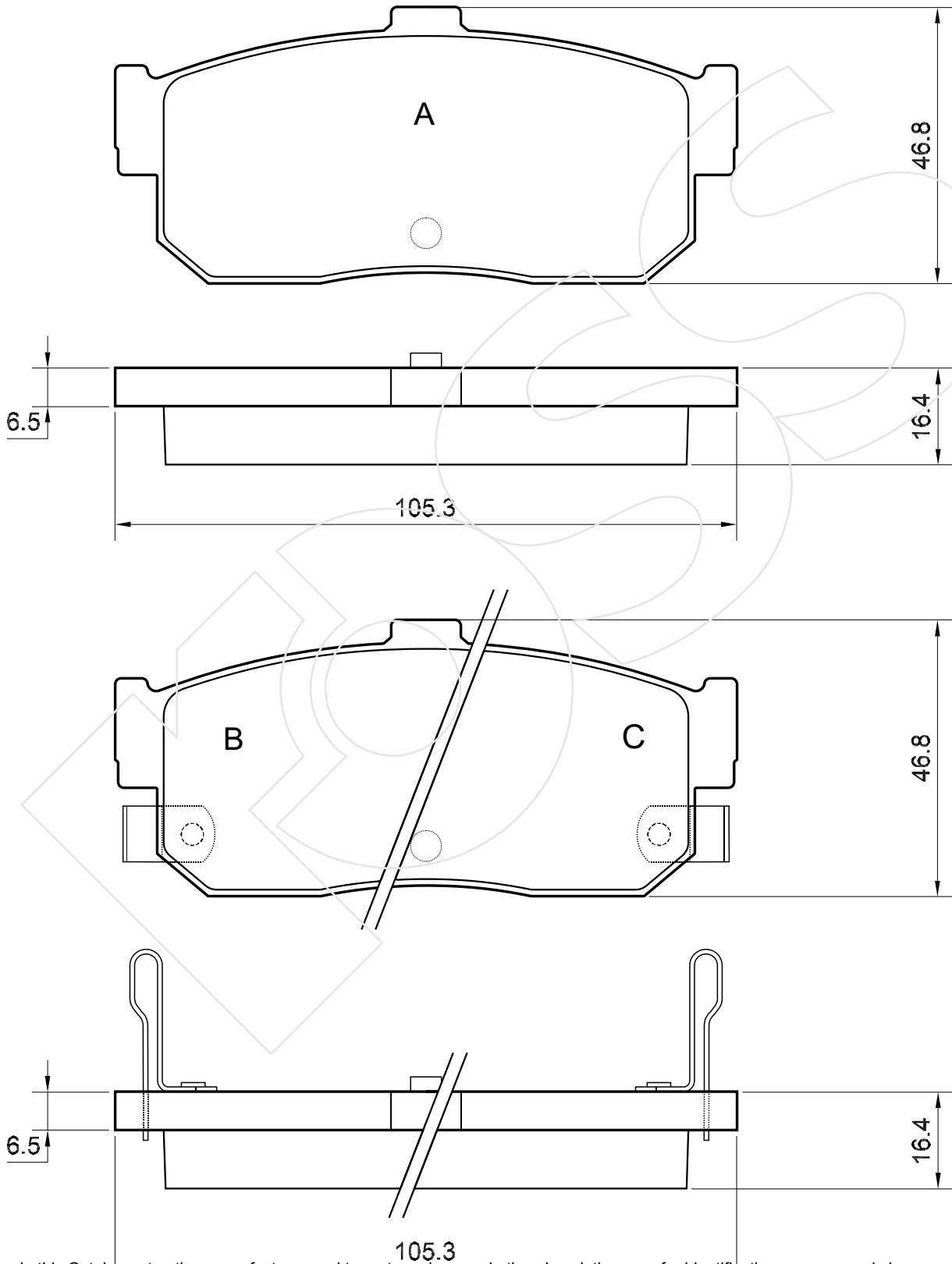
Reference in this Catalogue to other manufactures and to part numbers and other descriptions are for identification purposes only, because the above DISC BRAKE PADS are NOT ORIGINAL but with these interchangeable.

CODICE	IMPIANTO	ASSE	SCALA	APPLICAZIONI
<b>R-512</b>	AKEBONO	ANTERIORE	1:1	NISSAN-DATSUN
CODICE COMPONENTI	N°	L(mm)	SERIE	
*	*	*	2 PEZZI TIPO A	
M0134	2	*	2 PEZZI TIPO B	
*	*	*		
*	*	*		
CODICE ACCESSORI	N°	L(mm)	NOTE	
			*	
	*		*	
*	*		*	
*	*		*	



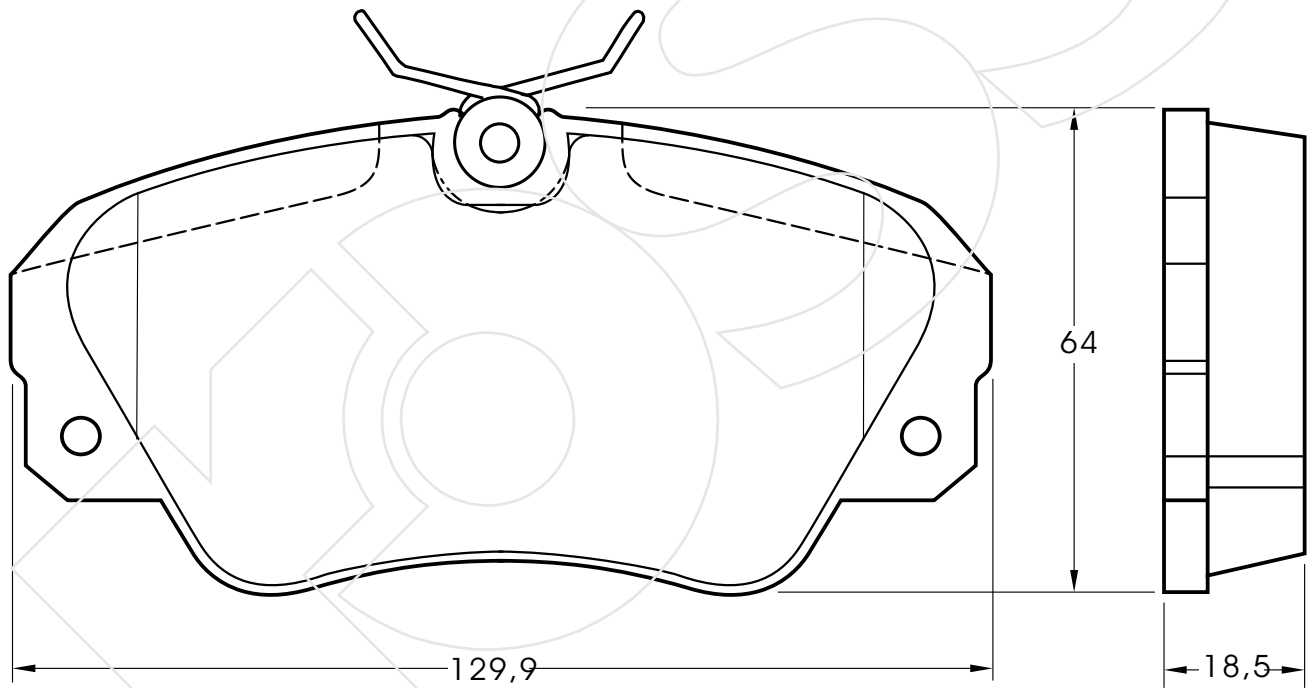
Reference in this Catalogue to other manufactures and to part numbers and other descriptions are for identification purposes only, because the above DISC BRAKE PADS are NOT ORIGINAL but with these interchangeable.

CODICE	IMPIANTO		ASSE	SCALA	APPLICAZIONI
<b>R-513</b>	SUMITOMO		POSTERIORE	100%	NISSAN DATSUN
CODICE COMPONENTI	N°	L(mm)	SERIE		
*	*	*	2 PEZZI TIPO A		
M0036	1	*	1 PEZZO TIPO B		
M0036	1	*	1 PEZZO TIPO C		
*	*	*	*		
CODICE ACCESSORI	N°	L(mm)	NOTE		
*	*	*			
*	*	*			
*	*	*			
*	*	*			



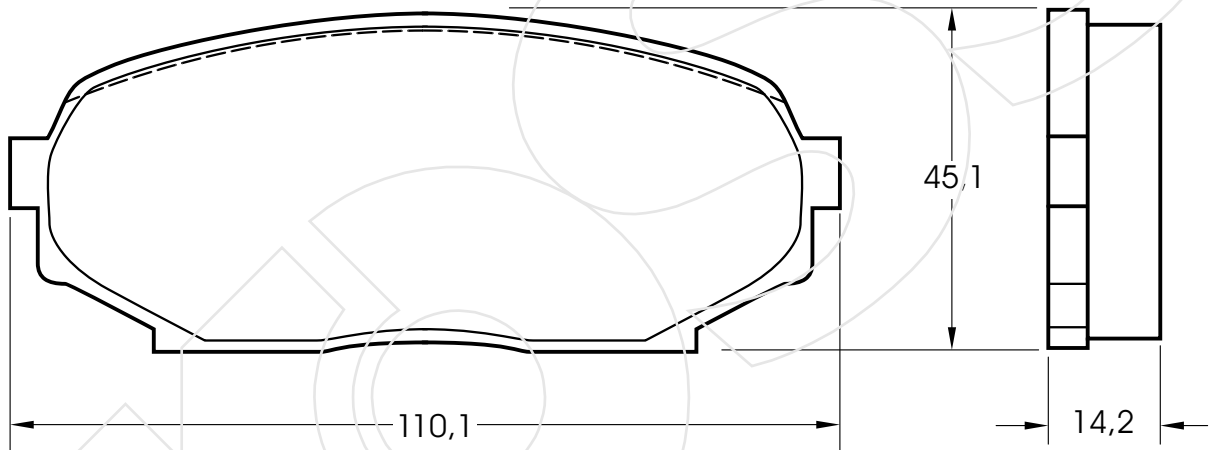
Reference in this Catalogue to other manufactures and to part numbers and other descriptions are for identification purposes only, because the above DISC BRAKE PADS are NOT ORIGINAL but with these interchangeable.

CODICE	IMPIANTO	ASSE	SCALA	APPLICAZIONI
<b>R-514</b>	GIRLING	ANTERIORE	1:1	OPEL
CODICE COMPONENTI	N°	L(mm)	SERIE	
M0015+P1004	4+4	*	4 PEZZI	
*	*			
*	*			
CODICE ACCESSORI	N°	L(mm)	NOTE	
*	*			
*	*			
*	*			
*	*			



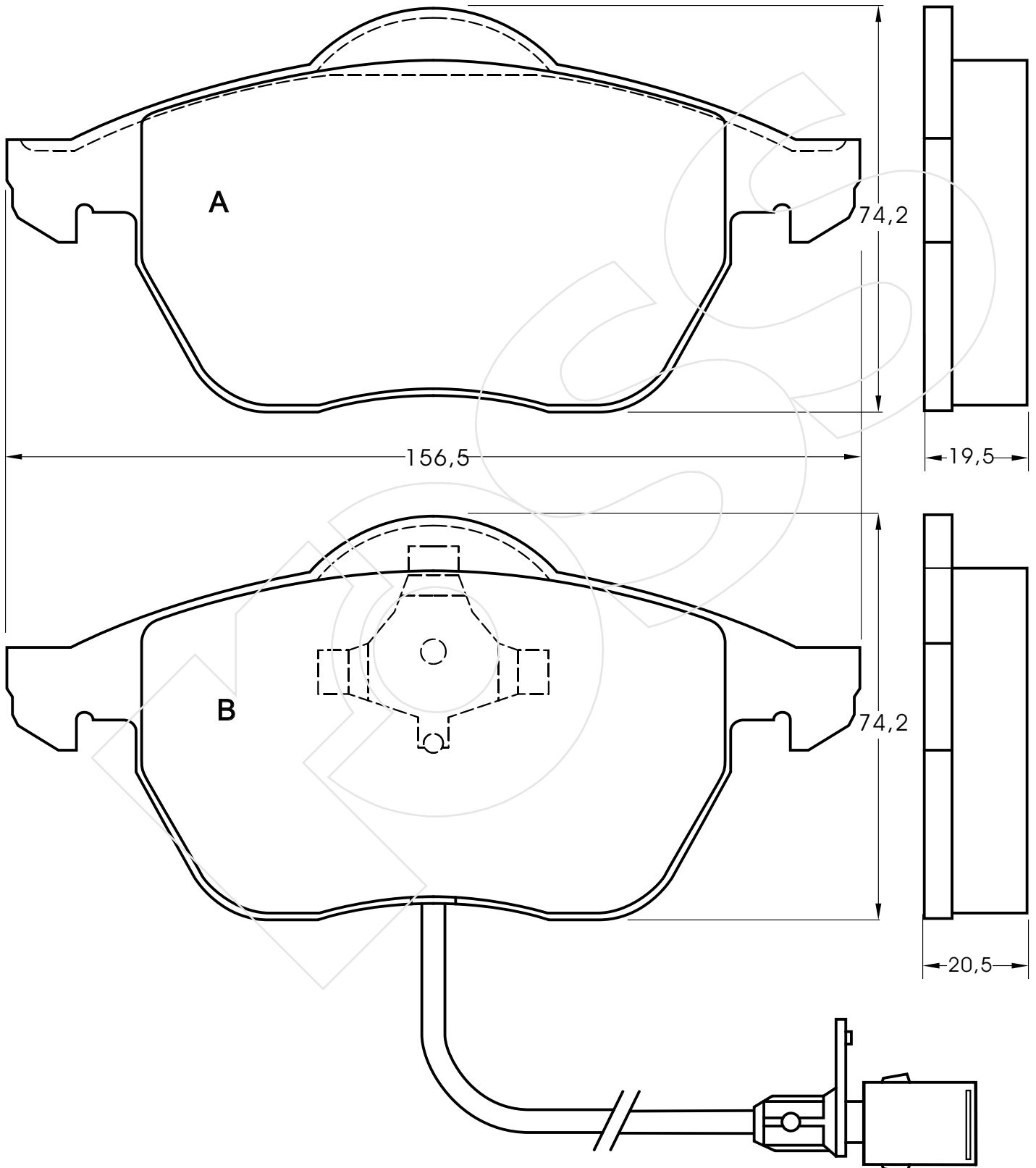
Reference in this Catalogue to other manufactures and to part numbers and other descriptions are for identification purposes only, because the above DISC BRAKE PADS are NOT ORIGINAL but with these interchangeable.

CODICE	IMPIANTO		ASSE	SCALA	APPLICAZIONI
<b>R-515</b>	SUMITOMO		ANTERIORE	1:1	MAZDA
CODICE COMPONENTI	N°	L(mm)	SERIE		
*	*	*	4 PEZZI		
*	*	*	*		
*	*	*	*		
*	*	*	*		
CODICE ACCESSORI	N°	L(mm)	NOTE		
*	*	*			
*	*	*			
*	*	*			



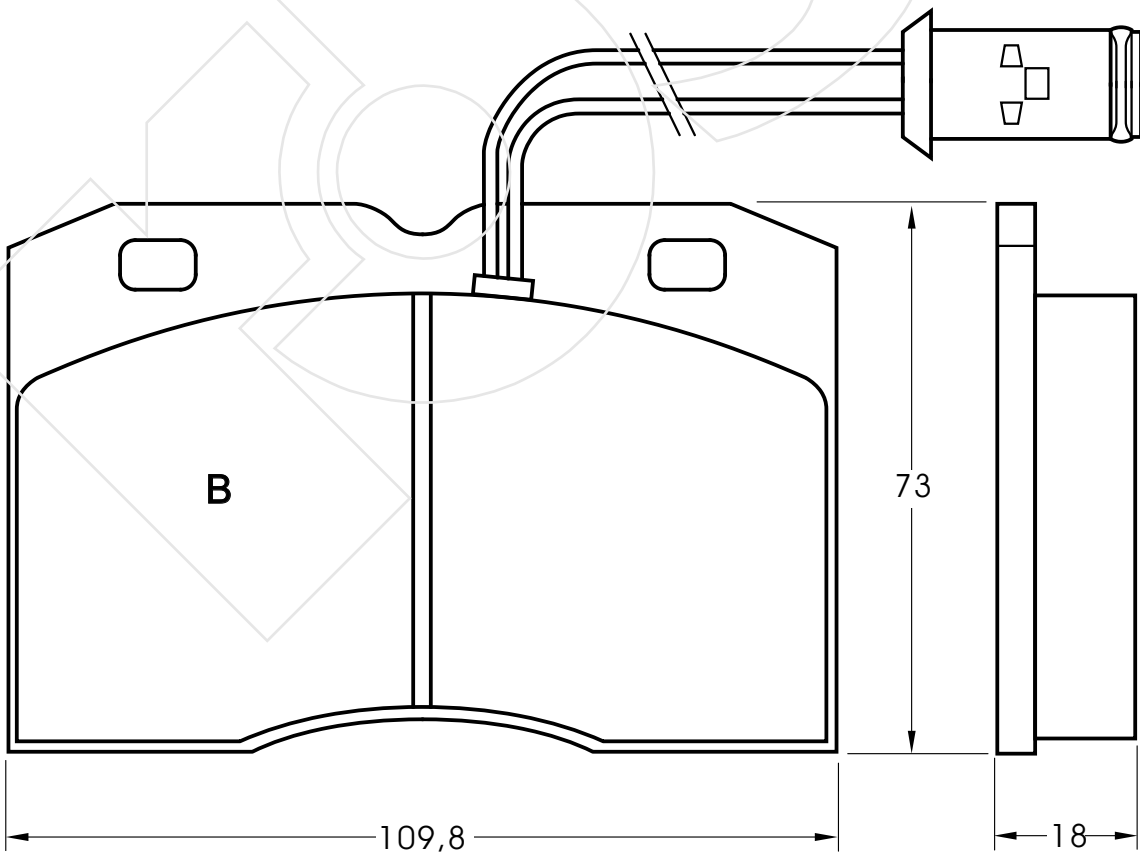
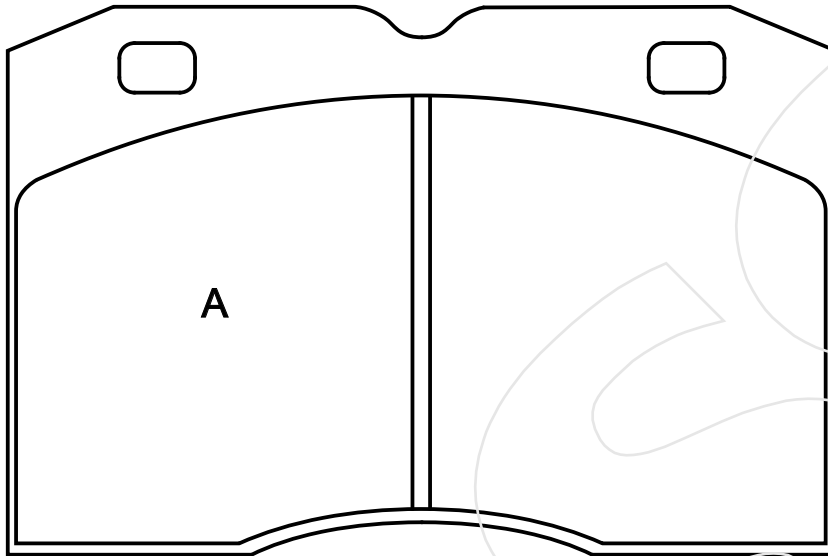
Reference in this Catalogue to other manufactures and to part numbers and other descriptions are for identification purposes only, because the above DISC BRAKE PADS are NOT ORIGINAL but with these interchangeable.

CODICE	IMPIANTO		ASSE	SCALA	APPLICAZIONI
<b>R-516</b>	ATE		ANTERIORE	1:1	AUDI
CODICE COMPONENTI	N°	L(mm)	SERIE		
*	*	*	2 PEZZI TIPO A		
M0091+F3037	2+2	210	2 PEZZI TIPO B		
*	*	*			
*	*	*			
CODICE ACCESSORI	N°	L(mm)	NOTE		
			*		
	*		*		
*	*		*		
*	*		*		



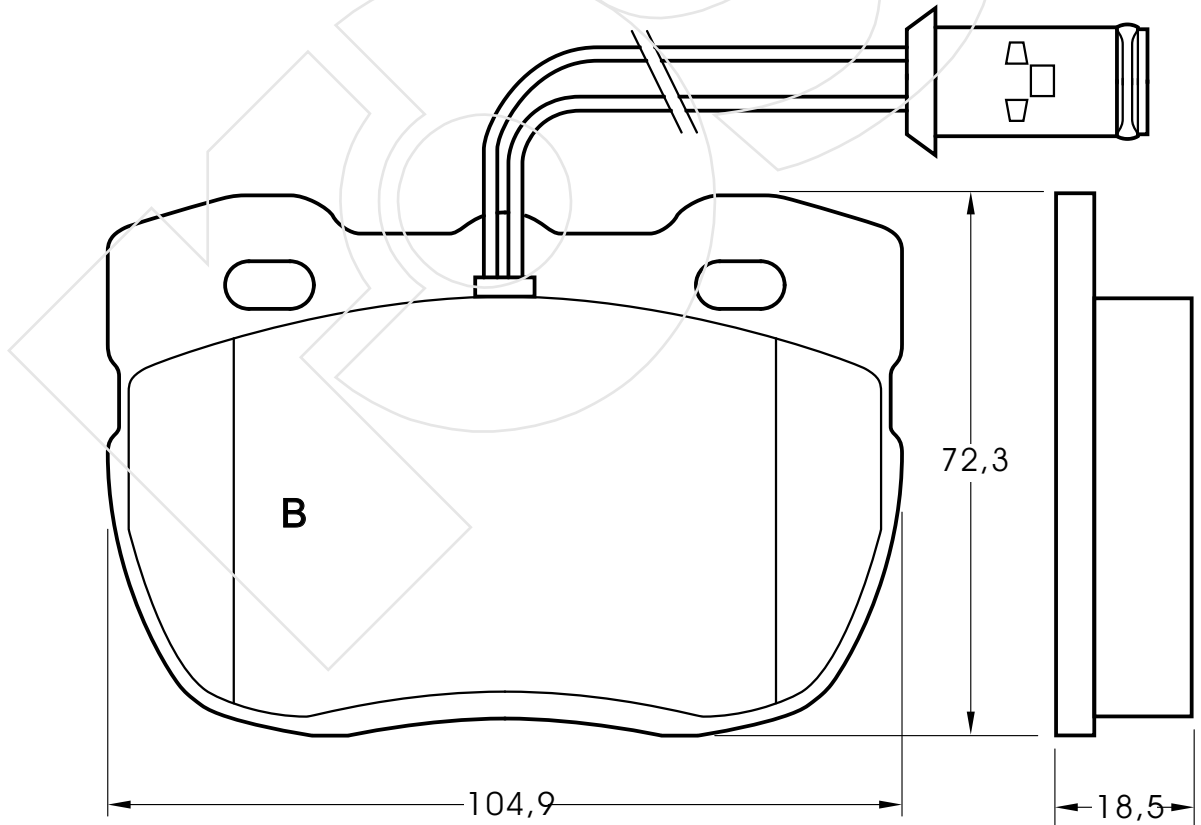
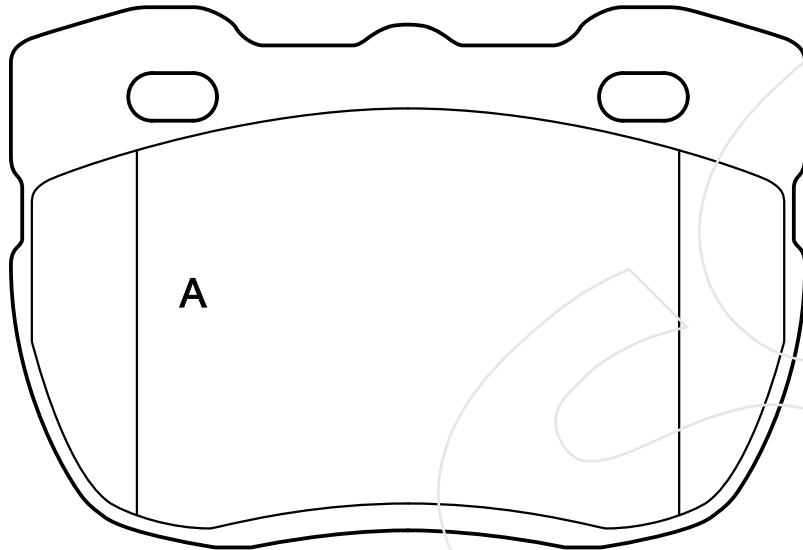
Reference in this Catalogue to other manufactures and to part numbers and other descriptions are for identification purposes only, because the above DISC BRAKE PADS are NOT ORIGINAL but with these interchangeable.

CODICE	IMPIANTO	ASSE	SCALA	APPLICAZIONI
<b>R-517</b>	BREMBO	ANTERIORE	1:1	FIAT IVECO
CODICE COMPONENTI	N°	L(mm)	SERIE	
*	*	*	2 PEZZI TIPO A	
F3029	2	225	2 PEZZI TIPO B	
*	*	*		
*	*	*		
CODICE ACCESSORI	N°	L(mm)	NOTE	
			*	
	*		*	
*	*		*	
*	*		*	



Reference in this Catalogue to other manufactures and to part numbers and other descriptions are for identification purposes only, because the above DISC BRAKE PADS are NOT ORIGINAL but with these interchangeable.

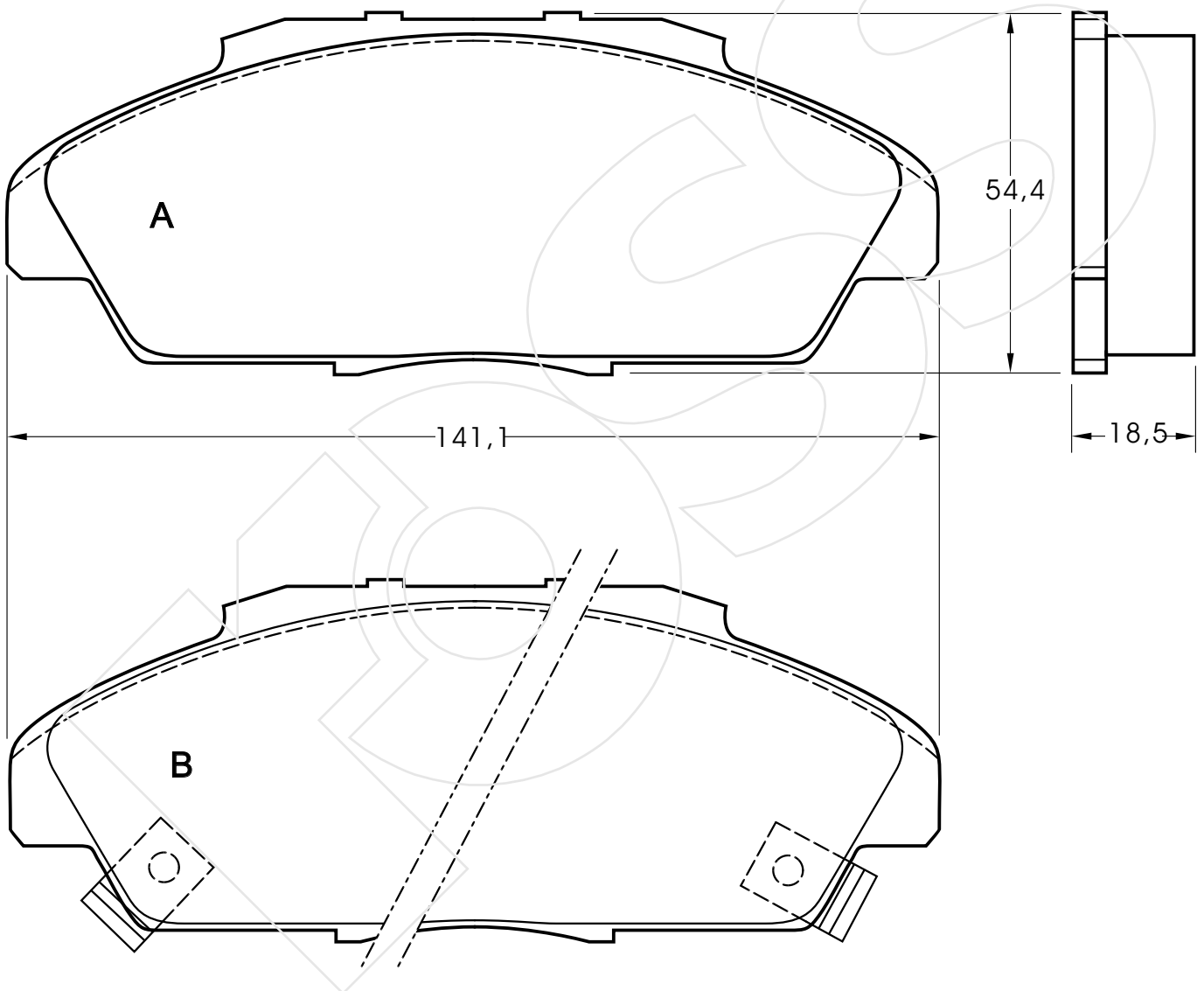
CODICE	IMPIANTO	ASSE	SCALA	APPLICAZIONI
<b>R-518</b>	LOCKEED	ANTERIORE	1:1	ROVER
CODICE COMPONENTI	N°	L(mm)	SERIE	
*	*	*	3 PEZZI TIPO A	
F3029	1	225	1 PEZZO TIPO B	
*	*	*		
*	*	*		
CODICE ACCESSORI	N°	L(mm)	NOTE	
			*	
	*		*	
*	*		*	
*	*		*	



Reference in this Catalogue to other manufactures and to part numbers and other descriptions are for identification purposes only, because the above DISC BRAKE PADS are NOT ORIGINAL but with these interchangeable.

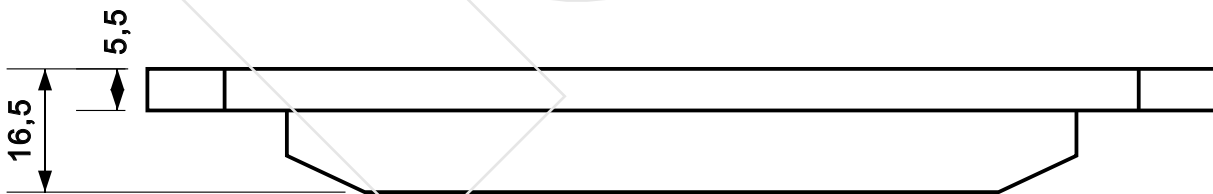
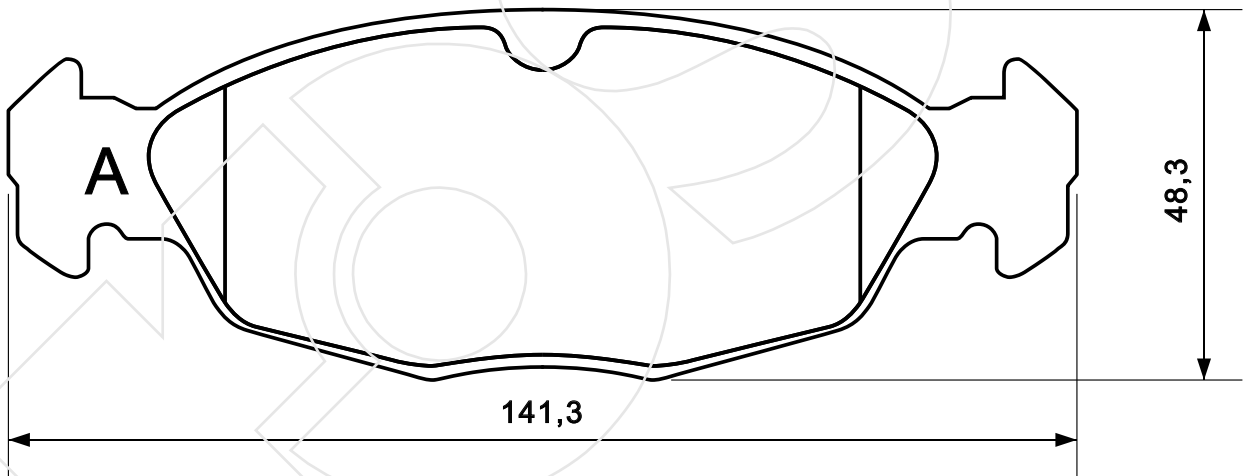
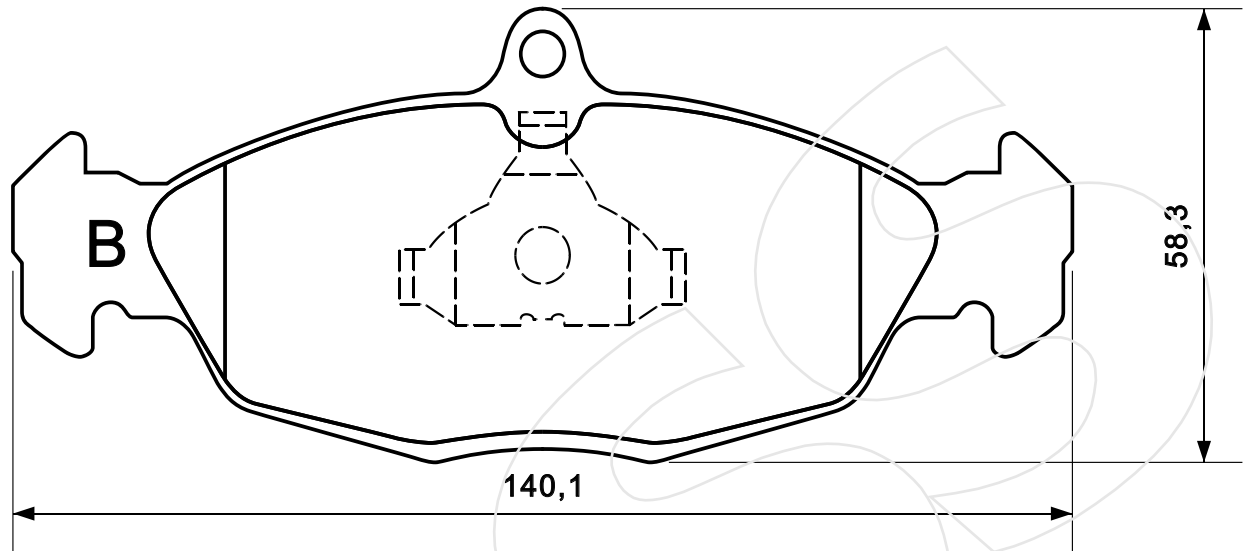


CODICE	IMPIANTO	ASSE	SCALA	APPLICAZIONI
<b>R-519</b>	AKEBONO	ANTERIORE	1:1	SUBARU
CODICE COMPONENTI	N°	L(mm)	SERIE	
*	*	*	2 PEZZI TIPO A	
M0092	2	*	2 PEZZI TIPO B	
*	*	*		
*	*	*		
CODICE ACCESSORI	N°	L(mm)	NOTE	
			*	
	*		*	
*	*		*	
*	*		*	



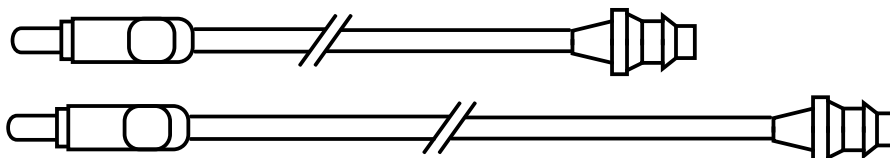
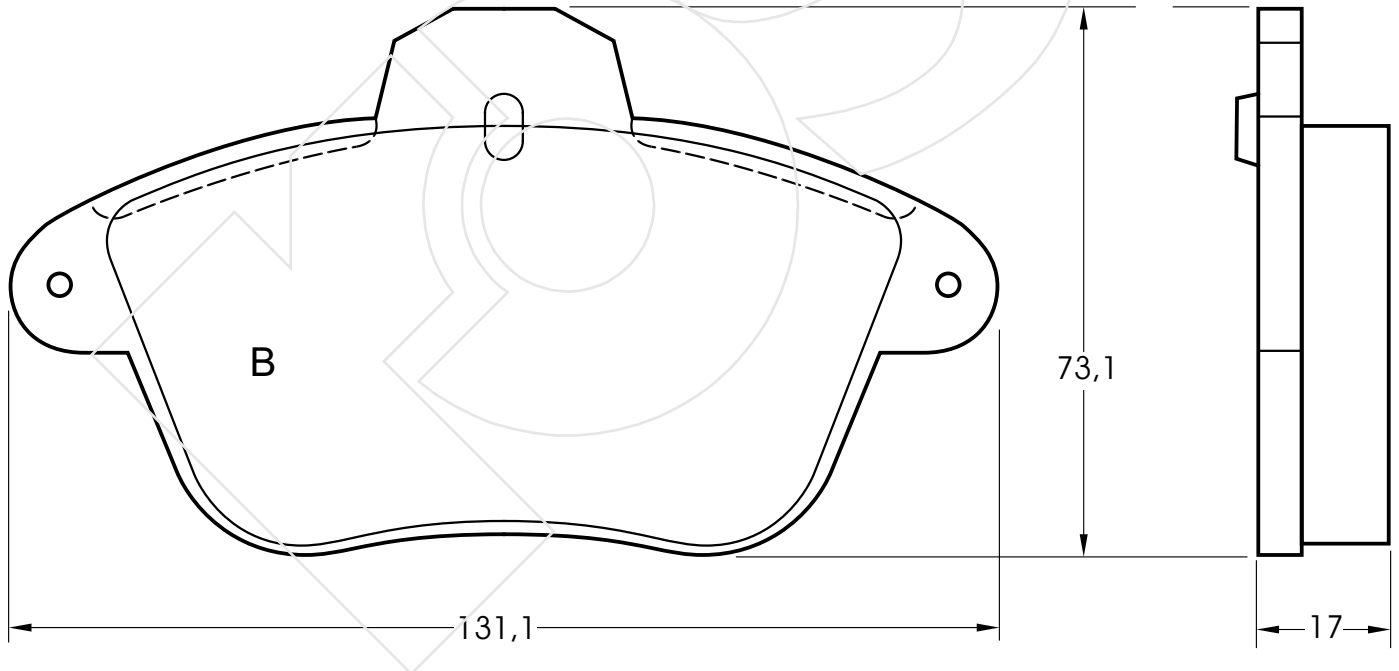
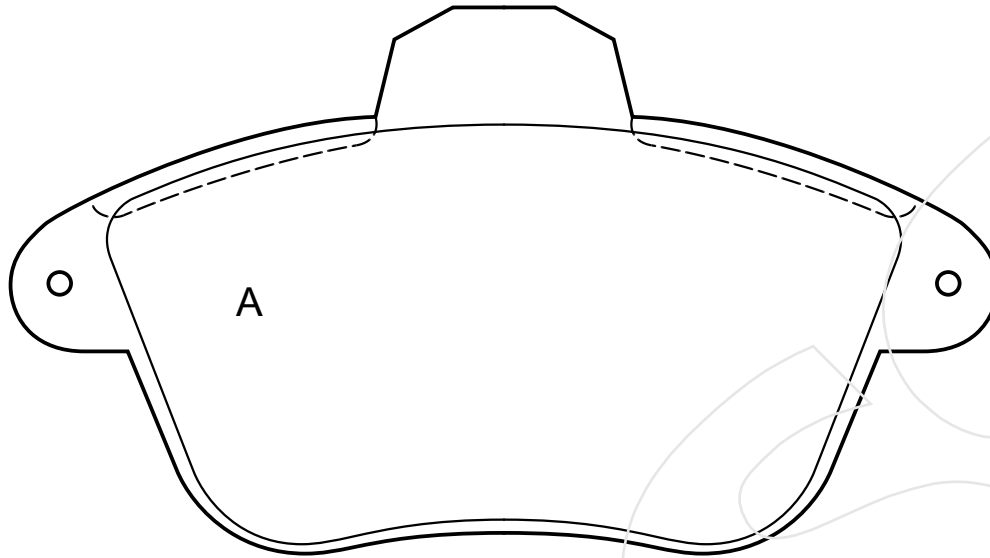
Reference in this Catalogue to other manufactures and to part numbers and other descriptions are for identification purposes only, because the above DISC BRAKE PADS are NOT ORIGINAL but with these interchangeable.

CODICE	IMPIANTO		ASSE	SCALA	APPLICAZIONI
<b>R-520</b>	ATE		ANTERIORE	1:1	OPEL
CODICE COMPONENTI	N°	L(mm)	SERIE		
*	*	*	2 PEZZI TIPO A		
M0093	2		2 PEZZI TIPO B		
*	*				
CODICE ACCESSORI	N°	L(mm)	NOTE		
*	*				
*	*				
*	*				
*	*				



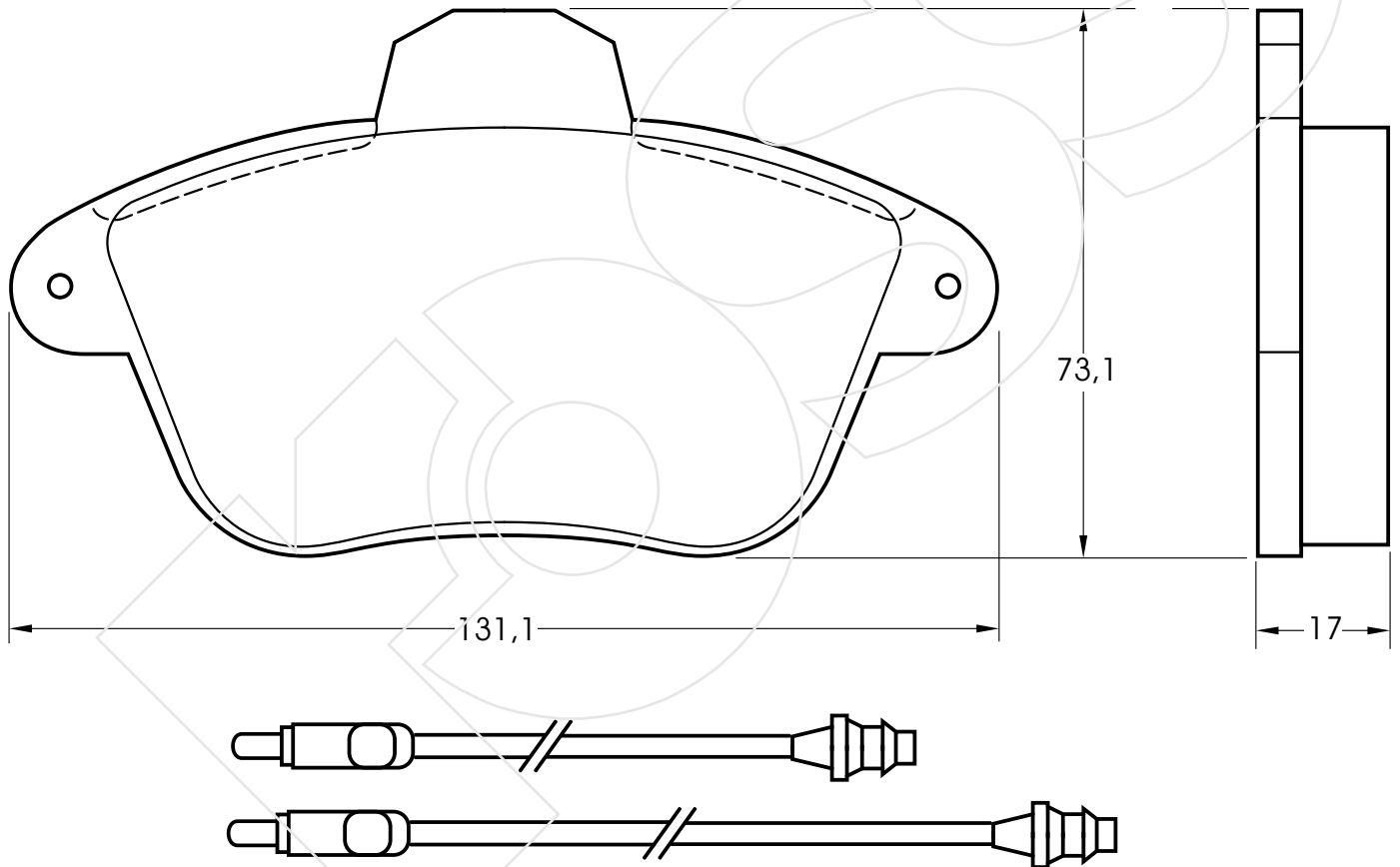
Reference in this Catalogue to other manufactures and to part numbers and other descriptions are for identification purposes only, because the above DISC BRAKE PADS are NOT ORIGINAL but with these interchangeable.

CODICE	IMPIANTO		ASSE	SCALA	APPLICAZIONI
<b>R-521</b>	BENDIX		ANTERIORE	1:1	PEUGEOT
CODICE COMPONENTI	N°	L(mm)	SERIE		
*	*	*	2 PEZZI TIPO A		
*	*	*	2 PEZZI TIPO B		
F3049	2	130			
F3055	2	338			
CODICE ACCESSORI	N°	L(mm)	NOTE		
*	*	*			
*	*	*			
*	*	*			
*	*	*			



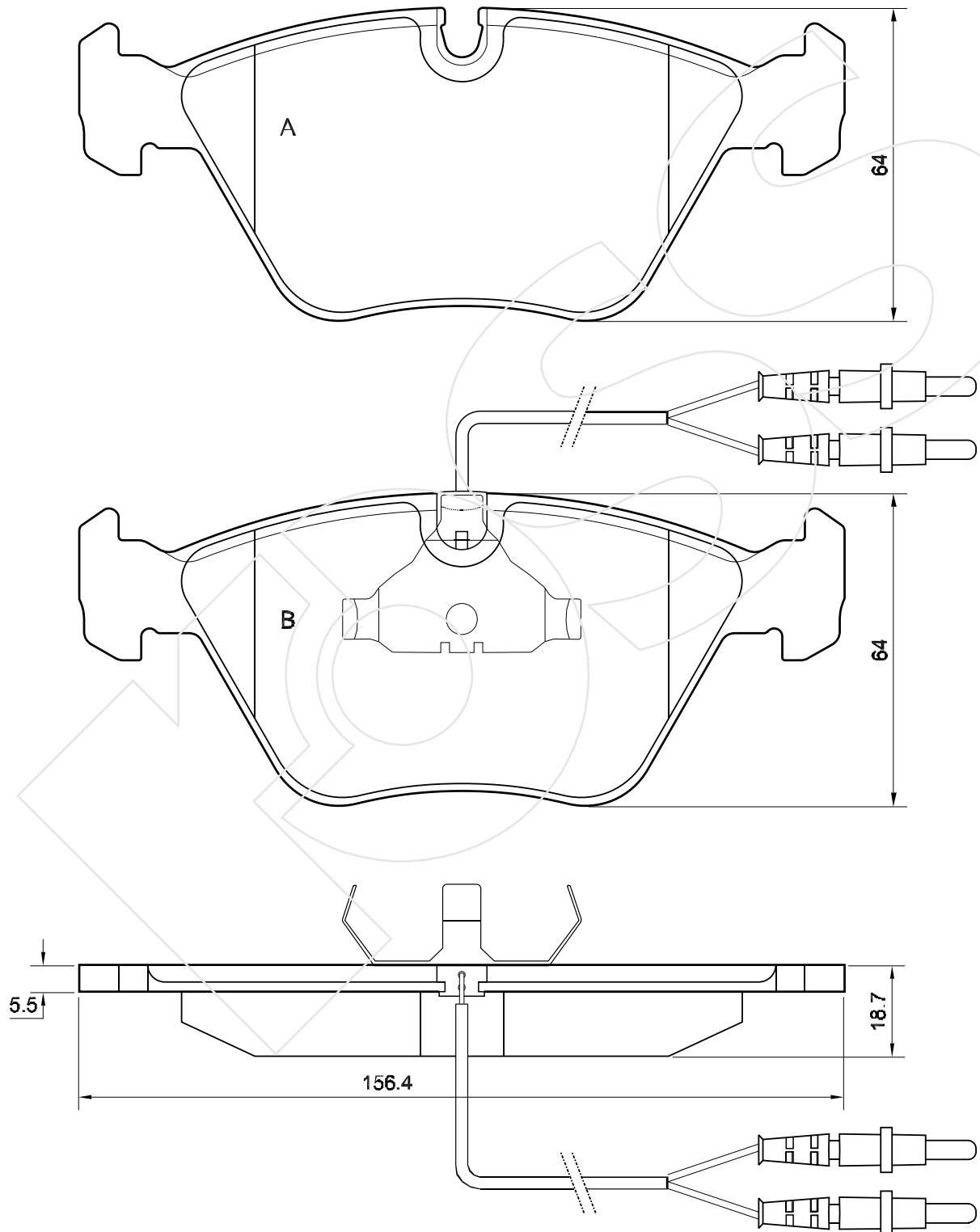
Reference in this Catalogue to other manufactures and to part numbers and other descriptions are for identification purposes only, because the above DISC BRAKE PADS are NOT ORIGINAL but with these interchangeable.

CODICE	IMPIANTO		ASSE	SCALA	APPLICAZIONI
<b>R-522</b>	BENDIX		ANTERIORE	1:1	PEUGEOT
CODICE COMPONENTI	N°	L(mm)	SERIE		
*	*	*	4 PEZZI		
F3049	2	130			
F3055	2	338			
CODICE ACCESSORI	N°	L(mm)	NOTE		
*	*	*			
*	*	*			
*	*	*			
*	*	*			



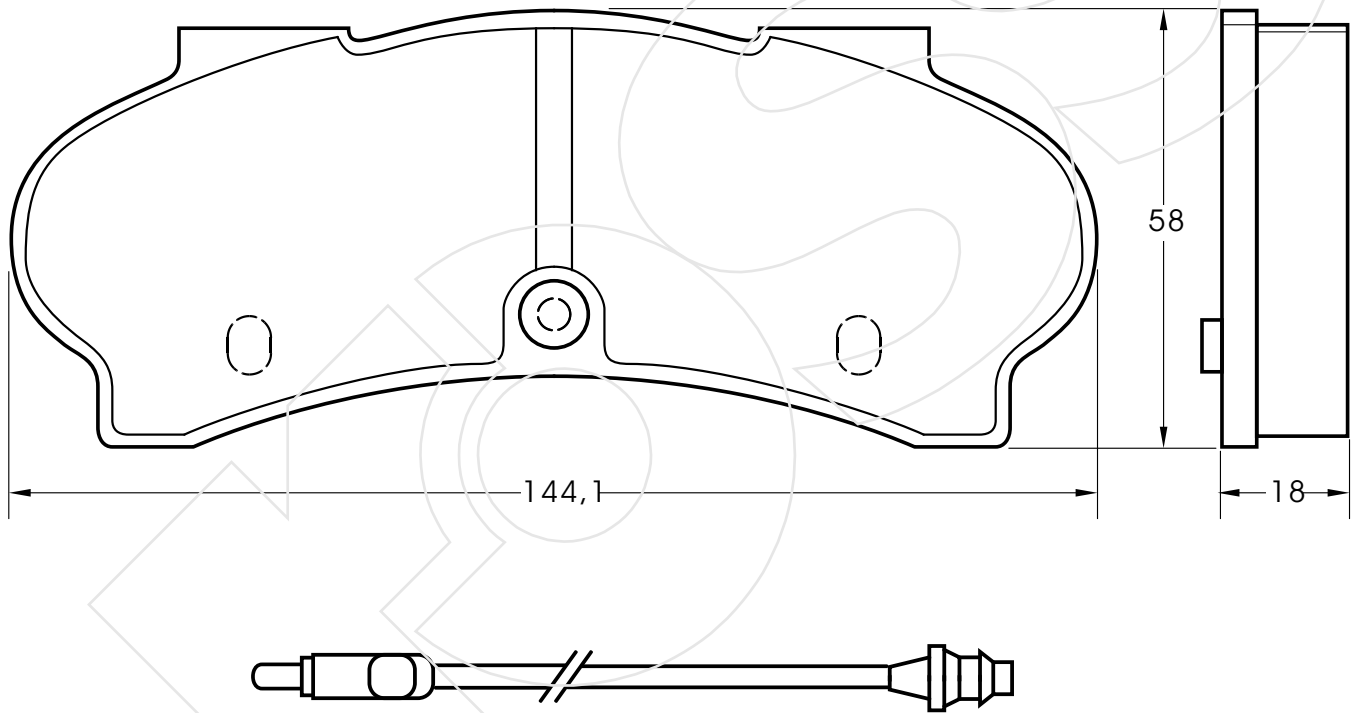
Reference in this Catalogue to other manufactures and to part numbers and other descriptions are for identification purposes only, because the above DISC BRAKE PADS are NOT ORIGINAL but with these interchangeable.

CODICE	IMPIANTO		ASSE	SCALA	APPLICAZIONI
<b>R-523</b>	ATE		ANTERIORE	80%	PEUGEOT
CODICE COMPONENTI	N°	L(mm)	SERIE		
*	*	*	2 PEZZI TIPO A		
M0029+F3065	2+2	262	2 PEZZI TIPO B		
*	*	*			
CODICE ACCESSORI	N°	L(mm)	NOTE		
*	*	*	*		
*	*	*	*		
*	*	*	*		
*	*	*	*		



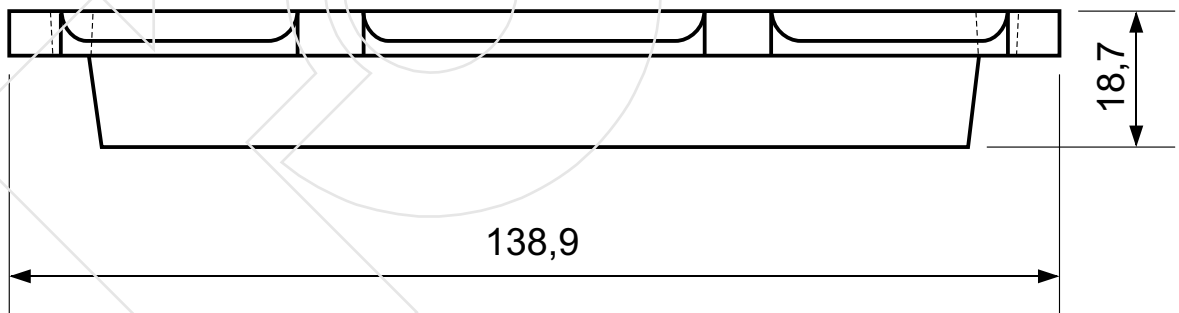
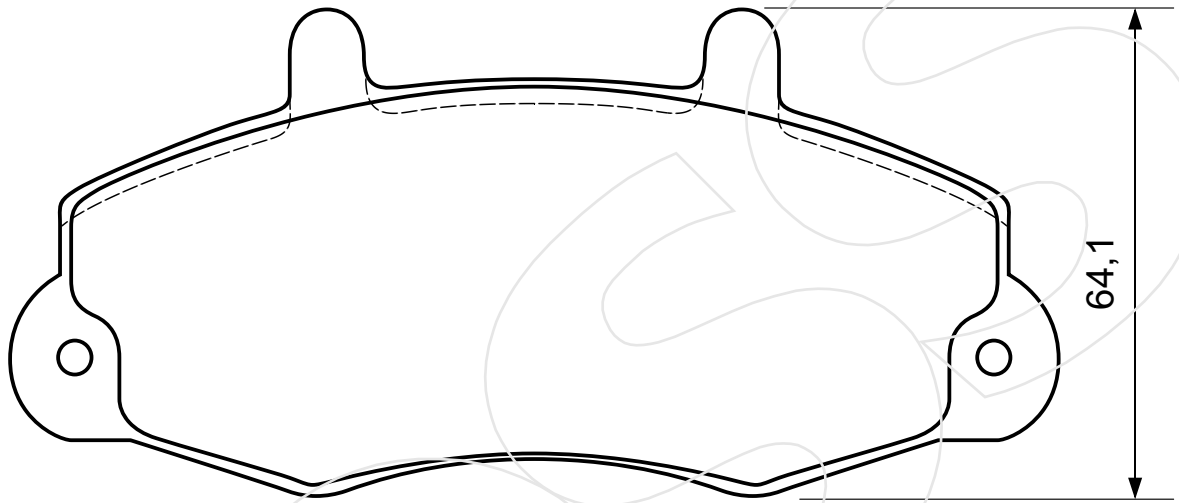
Reference in this Catalogue to other manufactures and to part numbers and other descriptions are for identification purposes only, because the above DISC BRAKE PADS are NOT ORIGINAL but with these interchangeable.

CODICE	IMPIANTO		ASSE	SCALA	APPLICAZIONI
<b>R-524</b>	BENDIX		ANTERIORE	1:1	PEUGEOT
CODICE COMPONENTI	N°	L(mm)	SERIE		
*	*	*	4 PEZZI		
F3053	2	200			
*	*	*			
CODICE ACCESSORI	N°	L(mm)	NOTE		
*	*	*			
*	*	*			
*	*	*			
*	*	*			



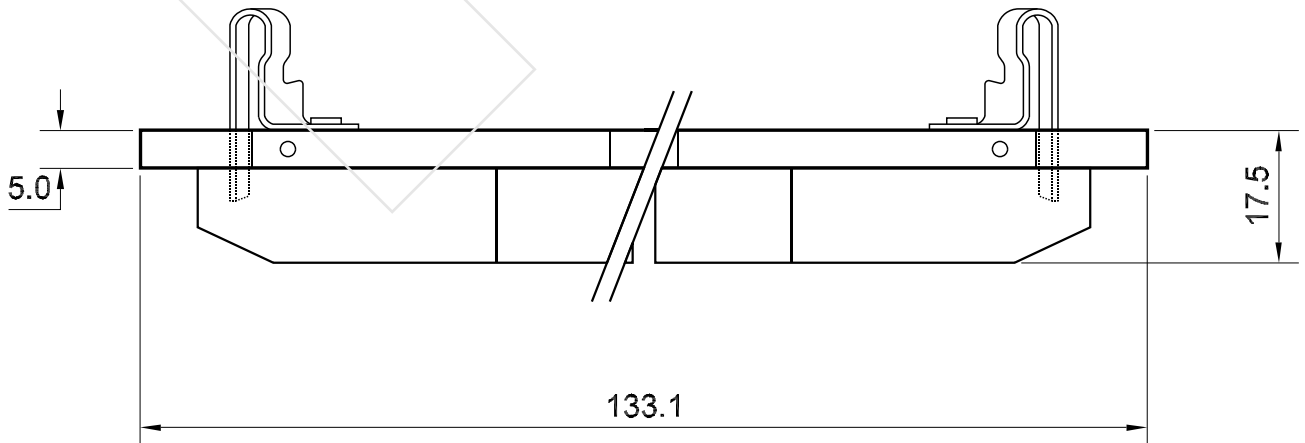
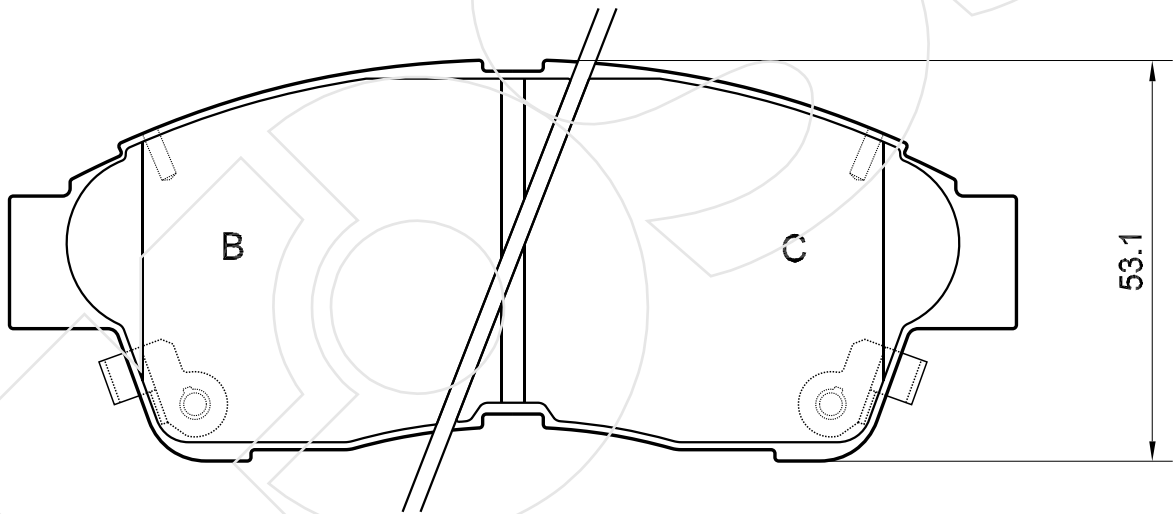
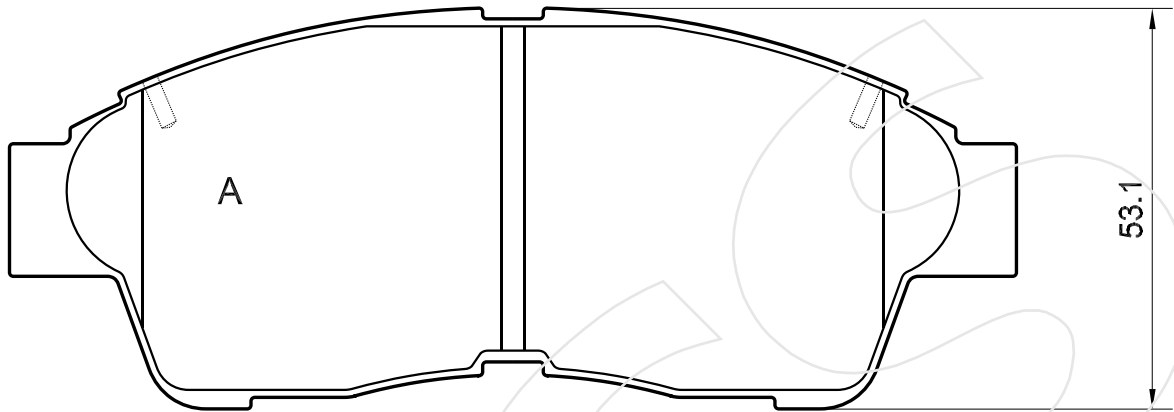
Reference in this Catalogue to other manufactures and to part numbers and other descriptions are for identification purposes only, because the above DISC BRAKE PADS are NOT ORIGINAL but with these interchangeable.

CODICE	IMPIANTO		ASSE	SCALA	APPLICAZIONI
<b>R-525</b>	BENDIX		ANTERIORE	1:1	FORD
CODICE COMPONENTI	N°	L(mm)	SERIE		
*	*	*	4 PEZZI		
*	*				
*	*				
CODICE ACCESSORI	N°	L(mm)	NOTE		
*	*				
*	*				
*	*				
*	*				



Reference in this Catalogue to other manufactures and to part numbers and other descriptions are for identification purposes only, because the above DISC BRAKE PADS are NOT ORIGINAL but with these interchangeable.

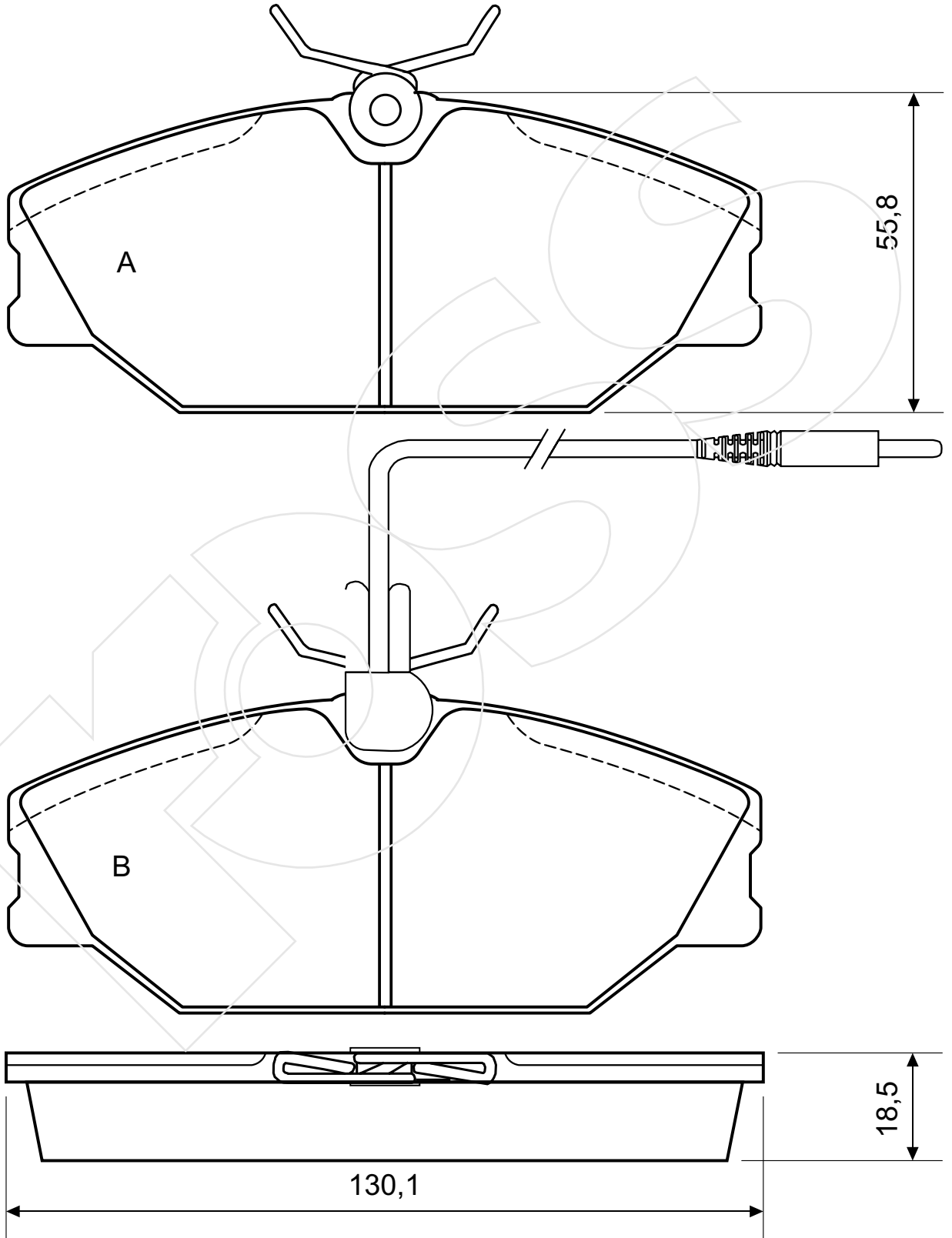
CODICE	IMPIANTO	ASSE	SCALA	APPLICAZIONI
<b>R-526</b>	AKEBONO	ANTERIORE	100%	TOYOTA
CODICE COMPONENTI	N°	L(mm)	SERIE	
*	*	*	2 PEZZI TIPO A	
M0094	1	*	1 PEZZO TIPO B	
M0095	1	*	1 PEZZO TIPO C	
*	*	*	*	
CODICE ACCESSORI	N°	L(mm)	NOTE	
*	*	*		
*	*	*		
*	*	*		
*	*	*		



Reference in this Catalogue to other manufactures and to part numbers and other descriptions are for identification purposes only, because the above DISC BRAKE PADS are NOT ORIGINAL but with these interchangeable.

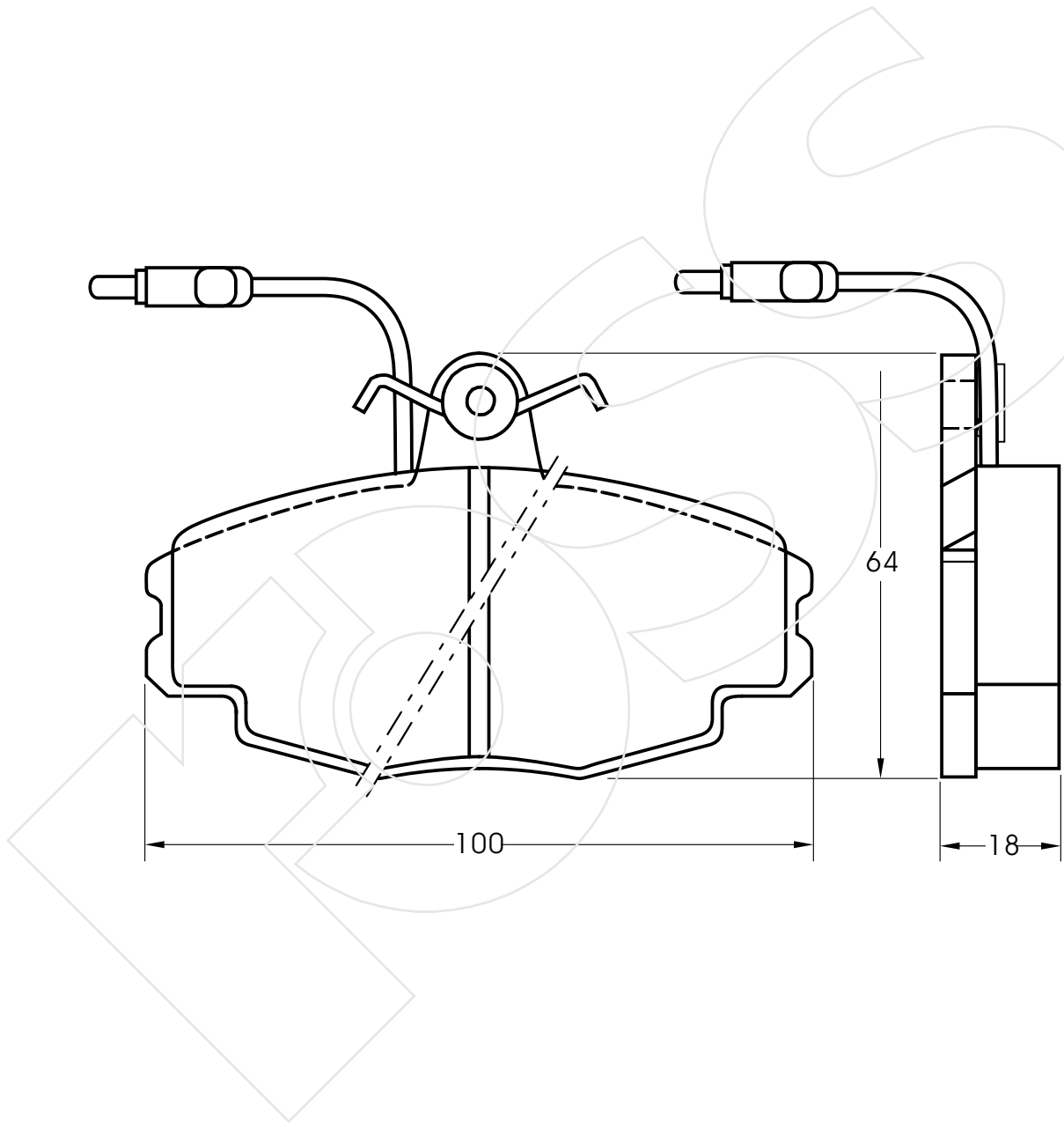


CODICE	IMPIANTO		ASSE	SCALA	APPLICAZIONI
<b>R-527</b>	*		ANTERIORE	1:1	RENAULT:Laguna
CODICE COMPONENTI	N°	L(mm)	SERIE		
M 0015+P1004	2+2		2 PEZZI	TIPO A	
M 0015 + F 3074	2+2	305	2 PEZZI	TIPO B	
*	*				
CODICE ACCESSORI	N°	L(mm)	NOTE		
*	*				
*	*				
*	*				
*	*				



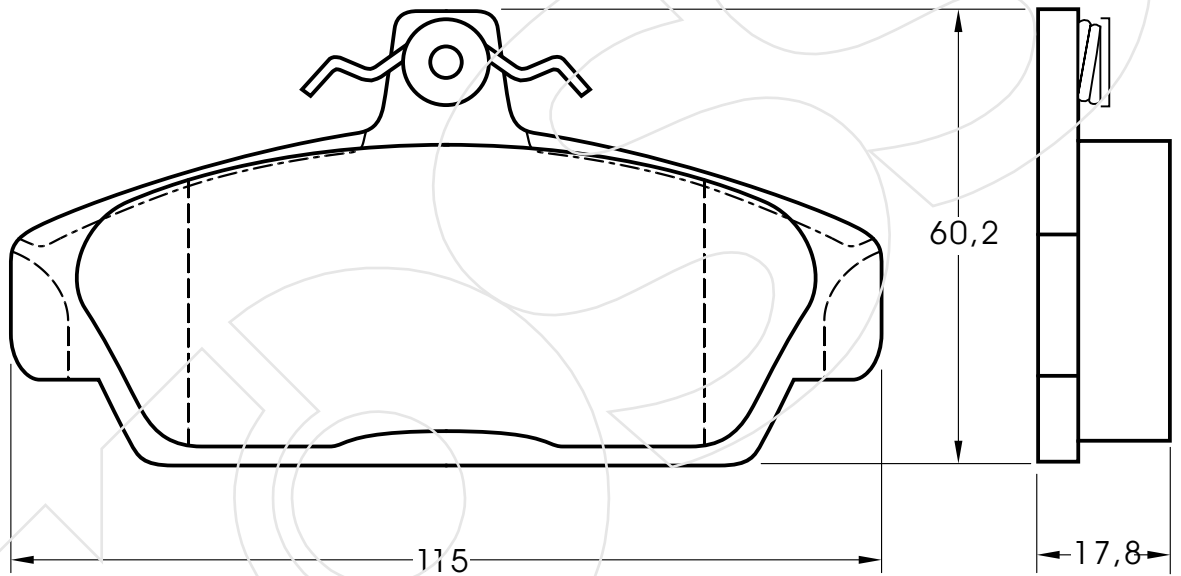
Reference in this Catalogue to other manufactures and to part numbers and other descriptions are for identification purposes only, because the above DISC BRAKE PADS are NOT ORIGINAL but with these interchangeable.

CODICE	IMPIANTO		ASSE	SCALA	APPLICAZIONI
<b>R-528</b>	GIRLING		ANTERIORE	1:1	CITROEN
CODICE COMPONENTI	N°	L(mm)	SERIE		
M0077+P1011+F30009	4+4+4	370	4 PEZZI		
*	*	*			
*	*	*			
*	*	*			
*	*	*			
CODICE ACCESSORI	N°	L(mm)	NOTE		
			*		
	*		*		
*	*		*		
*	*		*		



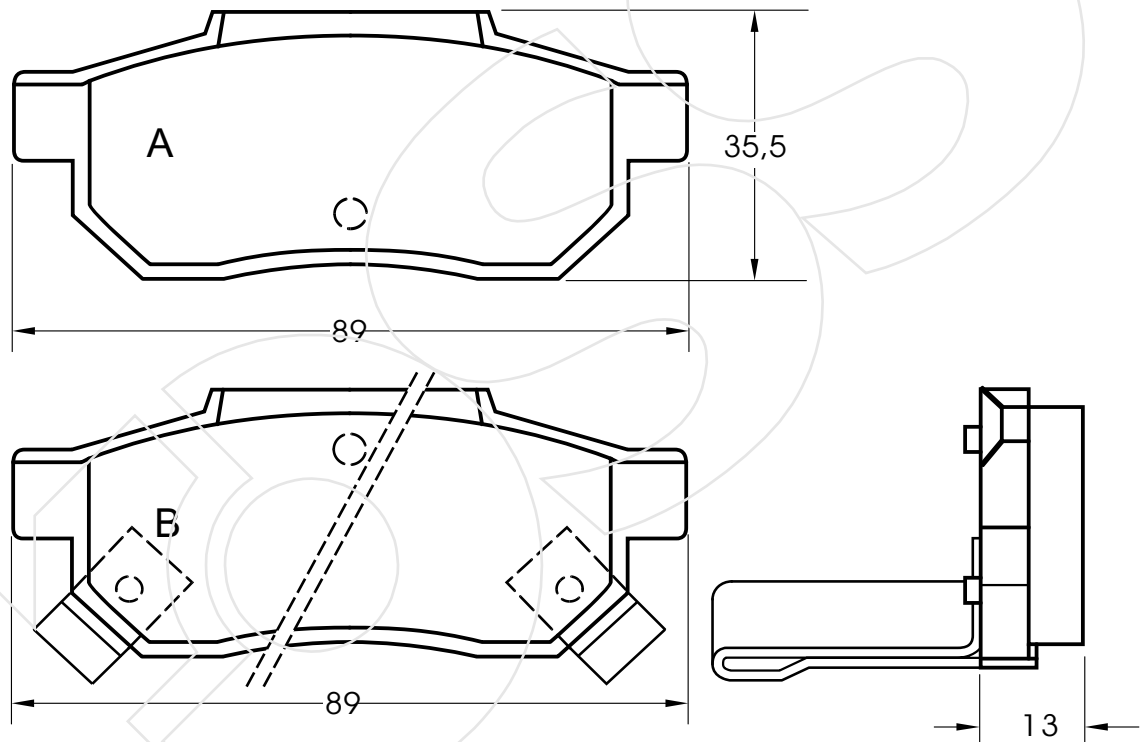
Reference in this Catalogue to other manufactures and to part numbers and other descriptions are for identification purposes only, because the above DISC BRAKE PADS are NOT ORIGINAL but with these interchangeable.

CODICE	IMPIANTO		ASSE	SCALA	APPLICAZIONI
<b>R-529</b>	GIRLING		ANTERIORE	1:1	ROVER
CODICE COMPONENTI	N°	L(mm)	SERIE		
M0030+P1012	4+4	*	4 PEZZI		
*	*				
*	*				
CODICE ACCESSORI	N°	L(mm)	NOTE		
*	*		*		
*	*		*		
*	*		*		
*	*		*		



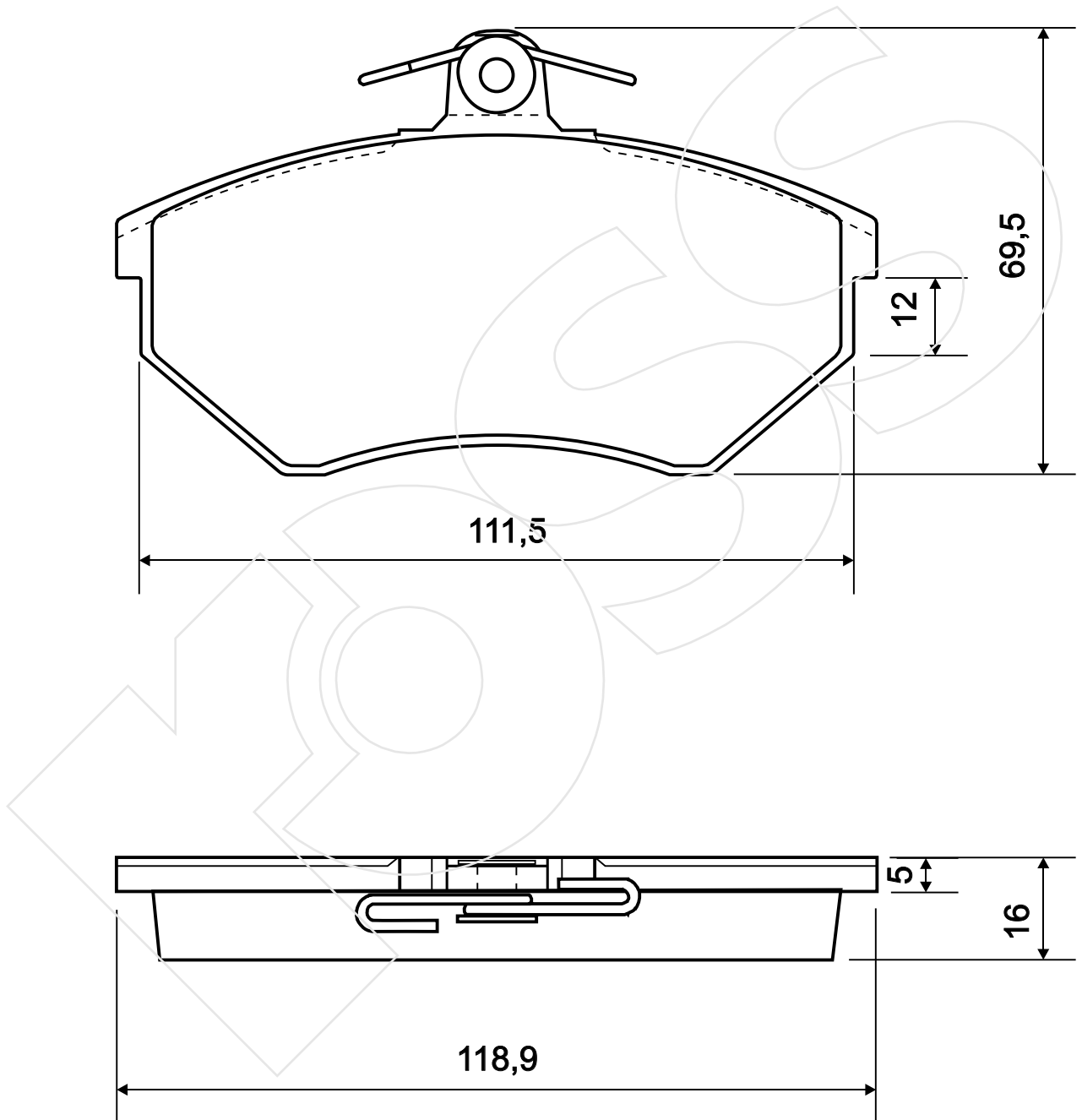
Reference in this Catalogue to other manufactures and to part numbers and other descriptions are for identification purposes only, because the above DISC BRAKE PADS are NOT ORIGINAL but with these interchangeable.

CODICE	IMPIANTO	ASSE	SCALA	APPLICAZIONI
<b>R-530</b>	AKEBONO	POSTERIORE	1:1	ROVER
CODICE COMPONENTI	N°	L(mm)	SERIE	
*	*	*	2 PEZZI TIPO A	
M0062	2	*	2 PEZZI TIPO B	
*				
CODICE ACCESSORI	N°	L(mm)	NOTE	
			*	
	*		*	
*	*		*	
*	*		*	



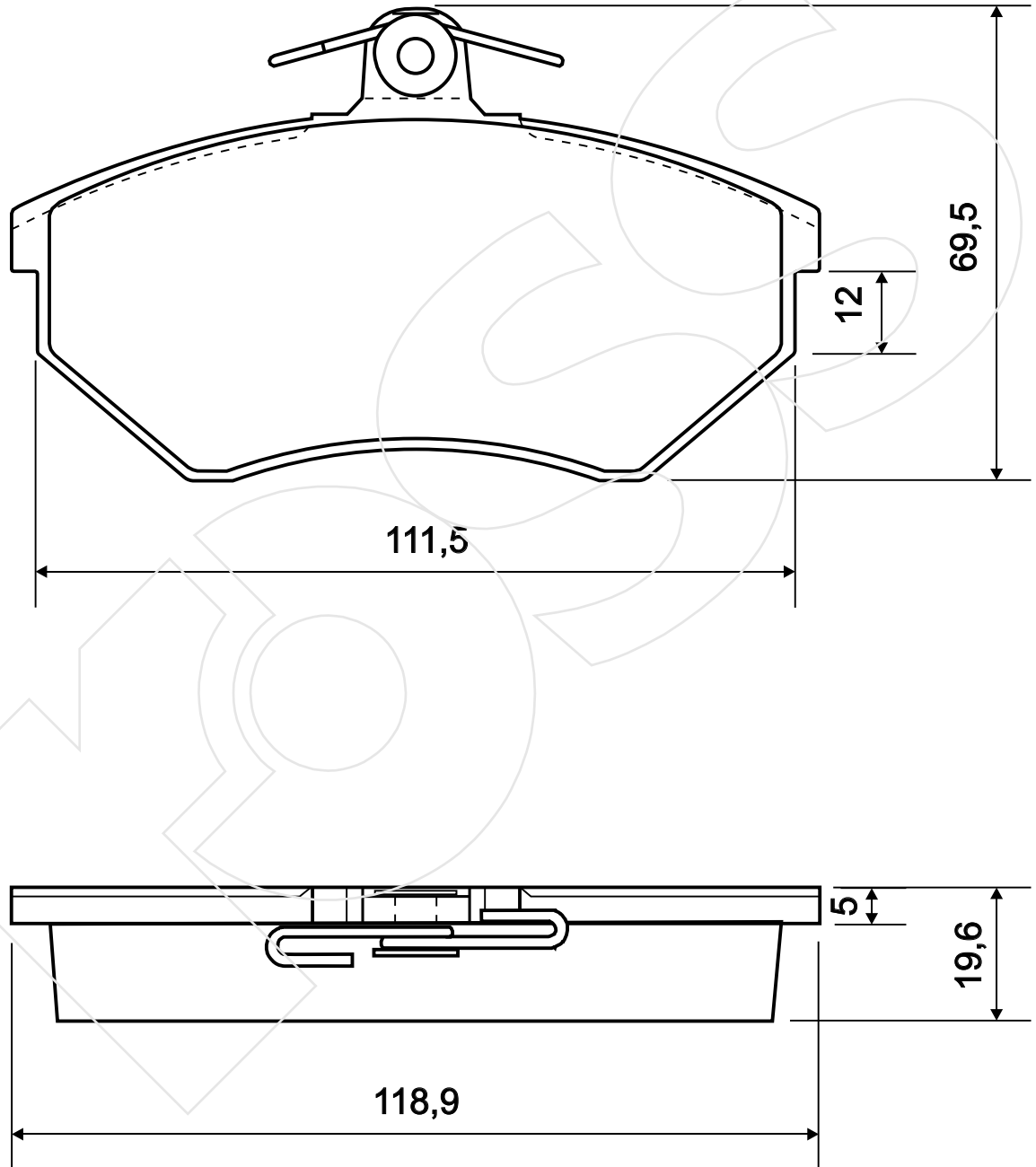
Reference in this Catalogue to other manufactures and to part numbers and other descriptions are for identification purposes only, because the above DISC BRAKE PADS are NOT ORIGINAL but with these interchangeable.

CODICE	IMPIANTO		ASSE	SCALA	APPLICAZIONI
<b>R-531</b>	GIRLING		ANTERIORE	1:1	SEAT VOLKSWAGEN
CODICE COMPONENTI	N°	L(mm)	SERIE		
M0013+P1012	4+4	*	4 PEZZI		
*	*				
*	*				
CODICE ACCESSORI	N°	L(mm)	NOTE		
*	*				
*	*				
*	*				
*	*				



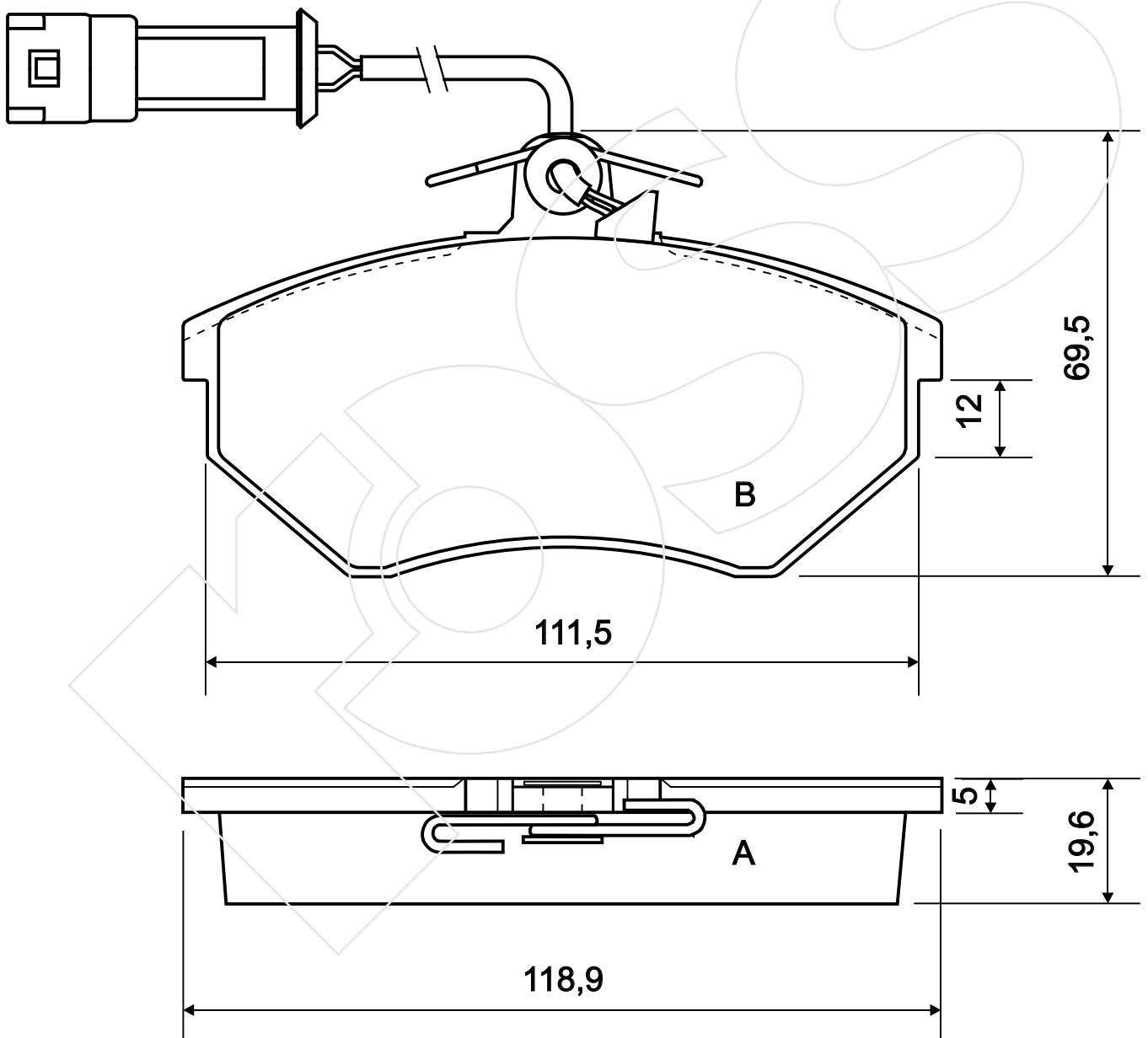
Reference in this Catalogue to other manufactures and to part numbers and other descriptions are for identification purposes only, because the above DISC BRAKE PADS are NOT ORIGINAL but with these interchangeable.

CODICE	IMPIANTO		ASSE	SCALA	APPLICAZIONI
<b>R-532</b>	GIRLING		ANTERIORE	1:1	AUDI VOLKSWAGEN
CODICE COMPONENTI	N°	L(mm)	SERIE		
M0013+P1012	4+4	*	4 PEZZI		
*	*				
*	*				
CODICE ACCESSORI	N°	L(mm)	NOTE		
*	*		*		
*	*		*		
*	*		*		
*	*		*		



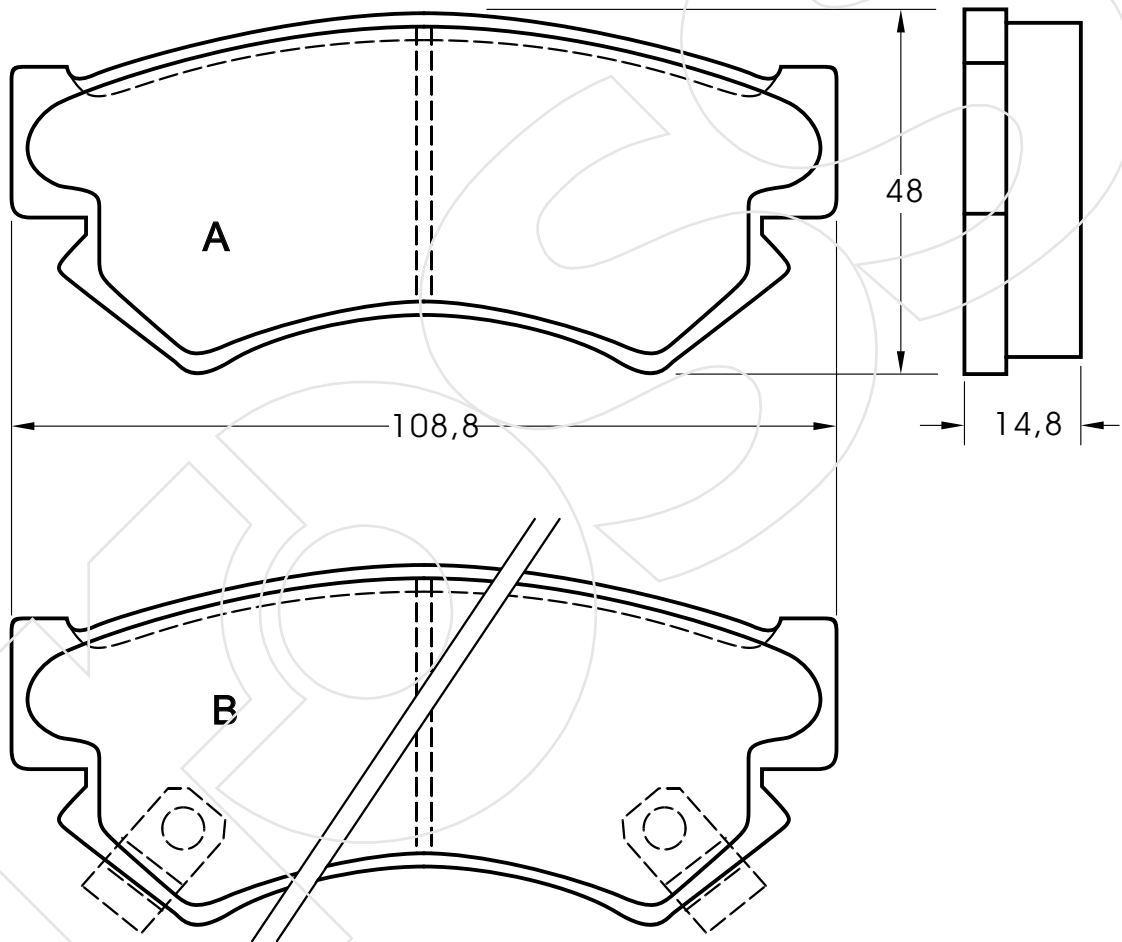
Reference in this Catalogue to other manufactures and to part numbers and other descriptions are for identification purposes only, because the above DISC BRAKE PADS are NOT ORIGINAL but with these interchangeable.

CODICE	IMPIANTO		ASSE	SCALA	APPLICAZIONI
<b>R-533</b>	GIRLING		ANTERIORE	1:1	AUDI VW
CODICE COMPONENTI	N°	L(mm)	SERIE		
M0013+P1012	2+2	*	2 PEZZI TIPO A		
M0013+P1012+F3028	2+2+2	260	2 PEZZI TIPO B		
*	*				
CODICE ACCESSORI	N°	L(mm)	NOTE		
*	*		*		
*	*		*		
*	*		*		
*	*		*		



Reference in this Catalogue to other manufactures and to part numbers and other descriptions are for identification purposes only, because the above DISC BRAKE PADS are NOT ORIGINAL but with these interchangeable.

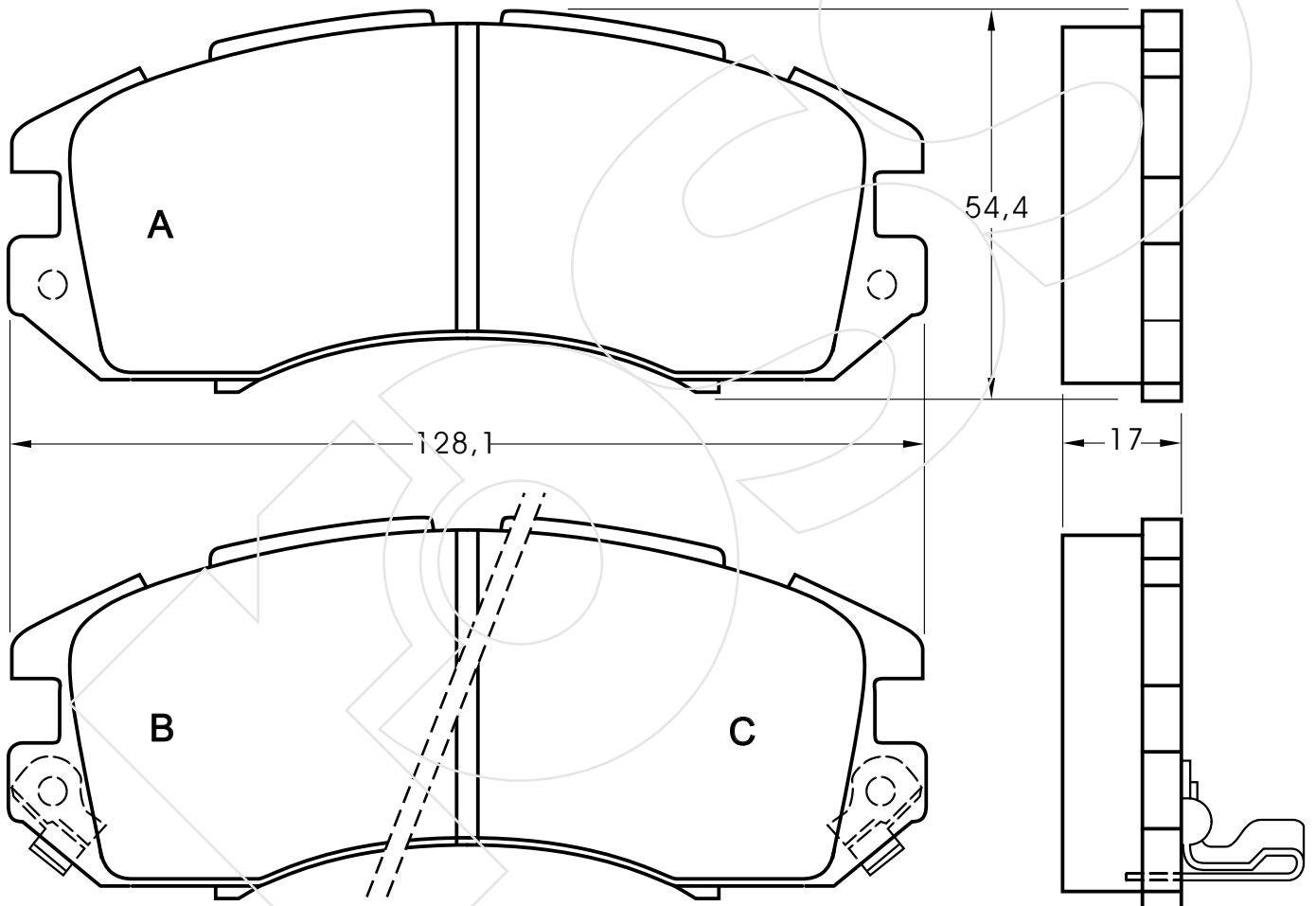
CODICE	IMPIANTO	ASSE	SCALA	APPLICAZIONI
<b>R-534</b>	SUMITOMO	ANTERIORE	1:1	SUBARU
CODICE COMPONENTI	N°	L(mm)	SERIE	
*	*	*	2 PEZZI TIPO A	
M0036	2	*	2 PEZZI TIPO B	
*	*	*		
*	*	*		
CODICE ACCESSORI	N°	L(mm)	NOTE	
			*	
	*		*	
*	*		*	
*	*		*	



Reference in this Catalogue to other manufactures and to part numbers and other descriptions are for identification purposes only, because the above DISC BRAKE PADS are NOT ORIGINAL but with these interchangeable.

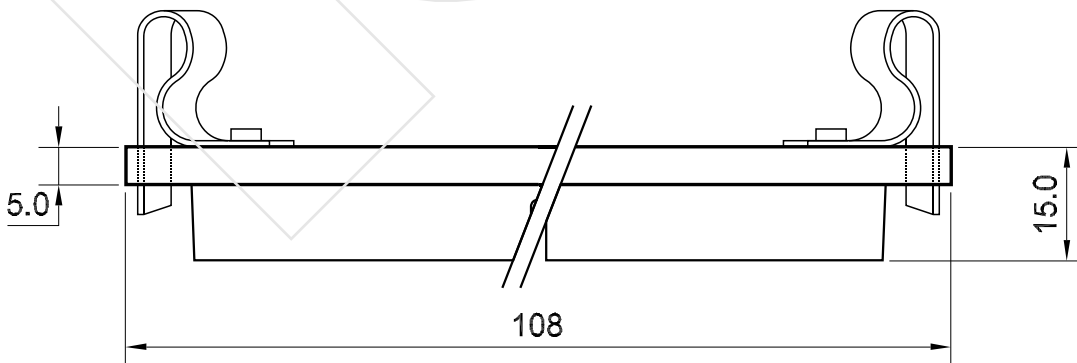
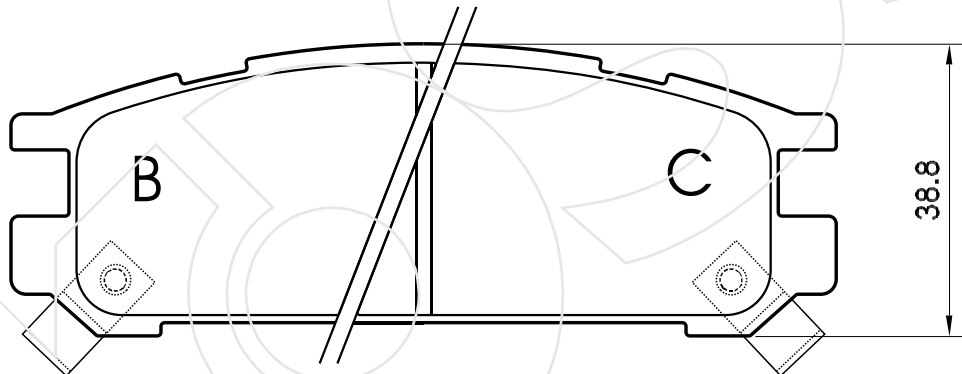
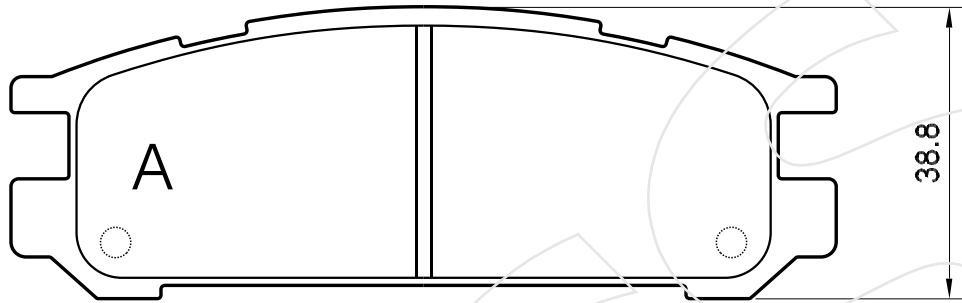


CODICE	IMPIANTO	ASSE	SCALA	APPLICAZIONI
<b>R-535</b>	AKEBONO	ANTERIORE	1:1	SUBARU
CODICE COMPONENTI	N°	L(mm)	SERIE	
*	*	*	2 PEZZI TIPO A	
M0095	1	*	1 PEZZO TIPO B	
M0094	1	*	1 PEZZO TIPO C	
*	*	*		
CODICE ACCESSORI	N°	L(mm)	NOTE	
			*	
	*		*	
*	*		*	
*	*		*	



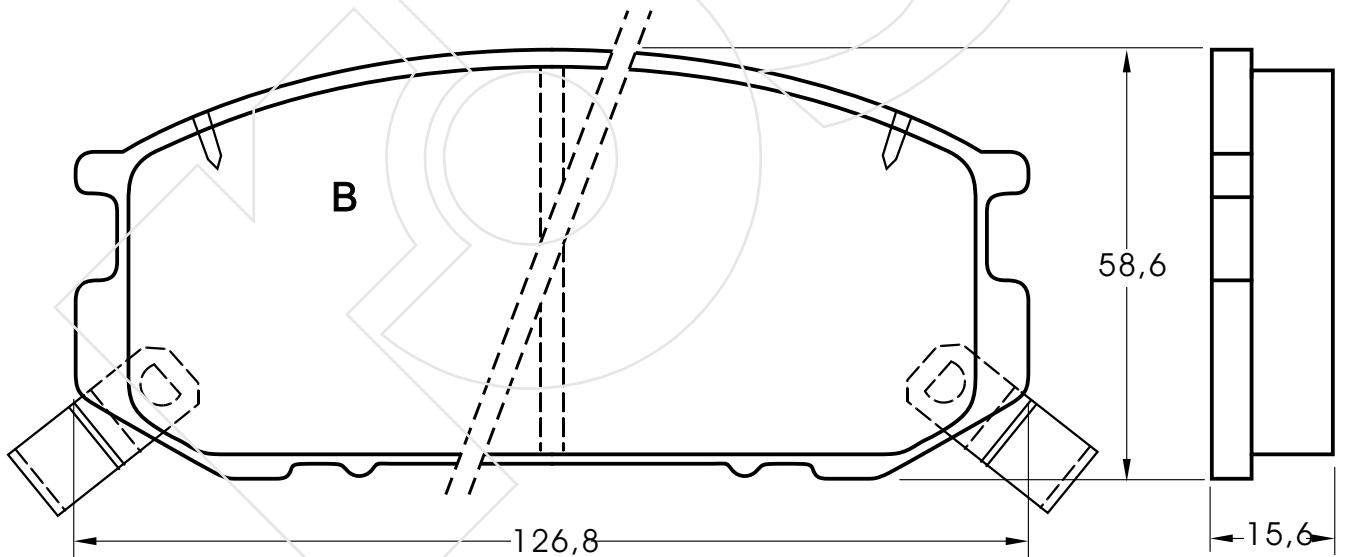
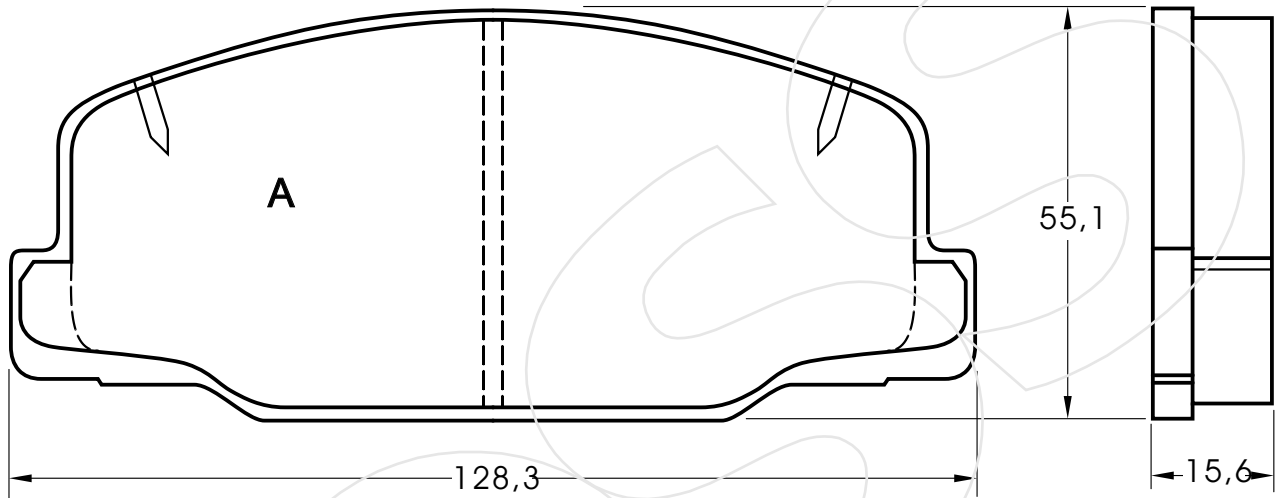
Reference in this Catalogue to other manufactures and to part numbers and other descriptions are for identification purposes only, because the above DISC BRAKE PADS are NOT ORIGINAL but with these interchangeable.

CODICE	IMPIANTO		ASSE	SCALA	APPLICAZIONI
<b>R-536</b>	SUMITOMO		POSTERIORE	100%	SUBARU
CODICE COMPONENTI	N°	L(mm)	SERIE		
*	*	*	2 PEZZI TIPO A		
M0069	1	*	1 PEZZO TIPO B		
M0069	1	*	1 PEZZO TIPO C		
*	*	*	*		
CODICE ACCESSORI	N°	L(mm)	NOTE		
*	*	*			
*	*	*			
*	*	*			
*	*	*			



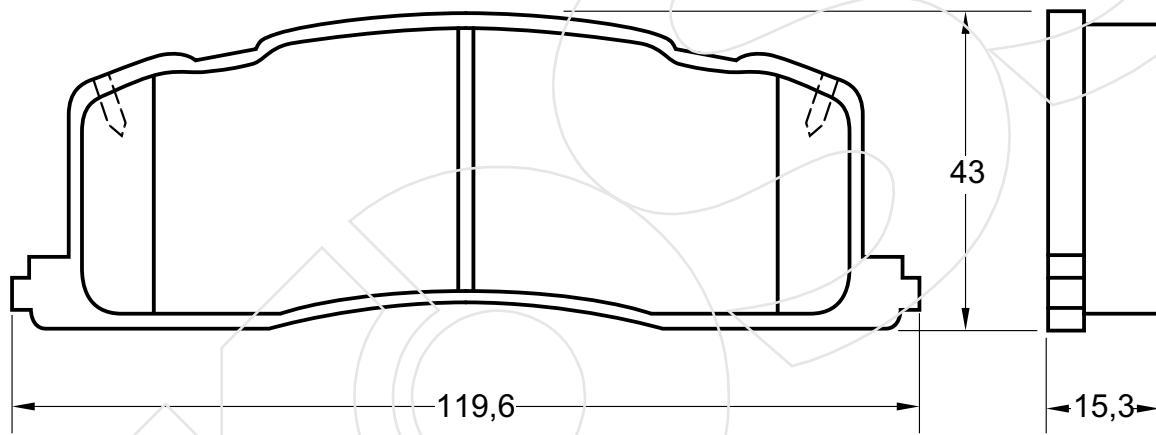
Reference in this Catalogue to other manufactures and to part numbers and other descriptions are for identification purposes only, because the above DISC BRAKE PADS are NOT ORIGINAL but with these interchangeable.

CODICE	IMPIANTO	ASSE	SCALA	APPLICAZIONI
<b>R-537</b>	AKEBONO	ANTERIORE	1:1	TOYOTA
CODICE COMPONENTI	N°	L(mm)	SERIE	
*	*	*	2 PEZZI TIPO A	
M0025	2	*	2 PEZZI TIPO B	
*	*	*		
*	*	*		
CODICE ACCESSORI	N°	L(mm)	NOTE	
			*	
	*		*	
*	*		*	
*	*		*	



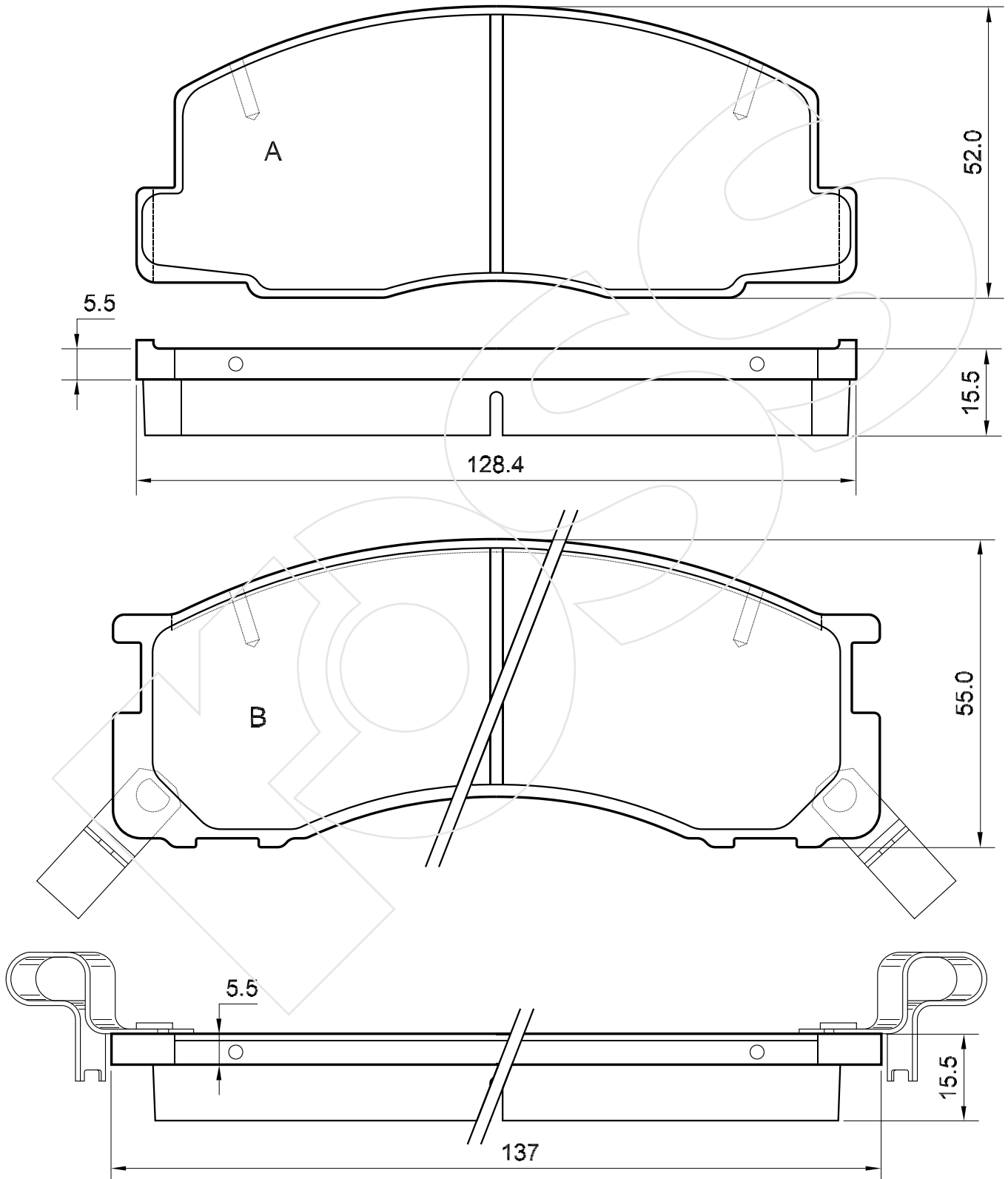
Reference in this Catalogue to other manufactures and to part numbers and other descriptions are for identification purposes only, because the above DISC BRAKE PADS are NOT ORIGINAL but with these interchangeable.

CODICE	IMPIANTO		ASSE	SCALA	APPLICAZIONI
<b>R-538</b>	AKEBONO		POSTERIORE	1:1	TOYOTA
CODICE COMPONENTI	N°	L(mm)	SERIE		
*	*	*	4 PEZZI		
*	*	*			
*	*	*			
*	*	*			
CODICE ACCESSORI	N°	L(mm)	NOTE		
*	*	*			
*	*	*			
*	*	*			
*	*	*			



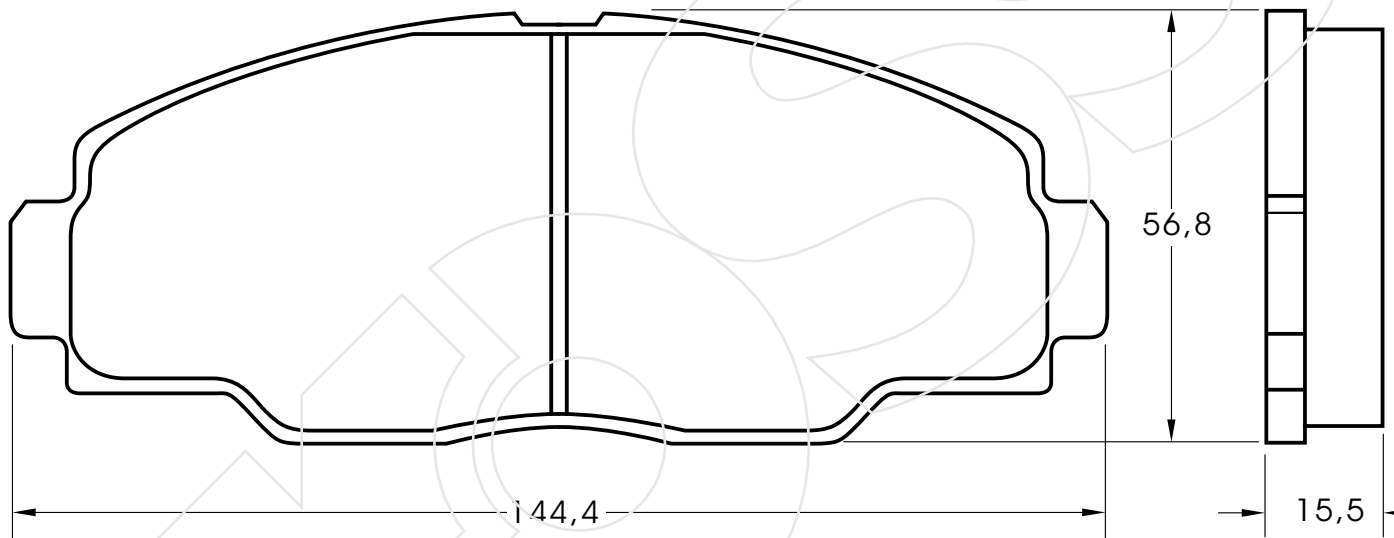
Reference in this Catalogue to other manufactures and to part numbers and other descriptions are for identification purposes only, because the above DISC BRAKE PADS are NOT ORIGINAL but with these interchangeable.

CODICE	IMPIANTO		ASSE	SCALA	APPLICAZIONI
<b>R-539</b>	AKEBONO		ANTERIORE	1:1	TOYOTA
CODICE COMPONENTI	N°	L(mm)	SERIE		
*	*	*	2 PEZZI TIPO A		
M0025	2	*	2 PEZZI TIPO B		
*	*	*	*		
*	*	*	*		
CODICE ACCESSORI	N°	L(mm)	NOTE		
*	*	*	*		
*	*	*	*		
*	*	*	*		
*	*	*	*		



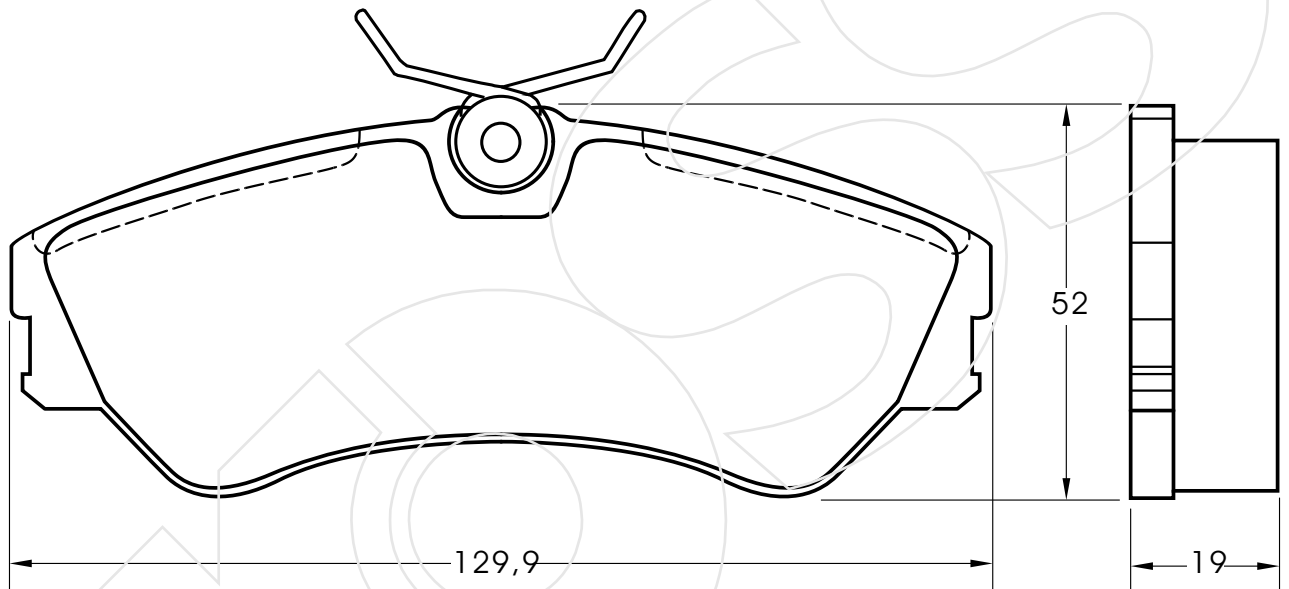
Reference in this Catalogue to other manufactures and to part numbers and other descriptions are for identification purposes only, because the above DISC BRAKE PADS are NOT ORIGINAL but with these interchangeable.

CODICE	IMPIANTO	ASSE	SCALA	APPLICAZIONI
<b>R-540</b>	AKEBONO	ANTERIORE	1:1	TOYOTA
CODICE COMPONENTI	N°	L(mm)	SERIE	
*	*	*	4 PEZZI	
*	*	*		
*	*	*		
CODICE ACCESSORI	N°	L(mm)	NOTE	
			*	
	*		*	
*	*		*	
*	*		*	



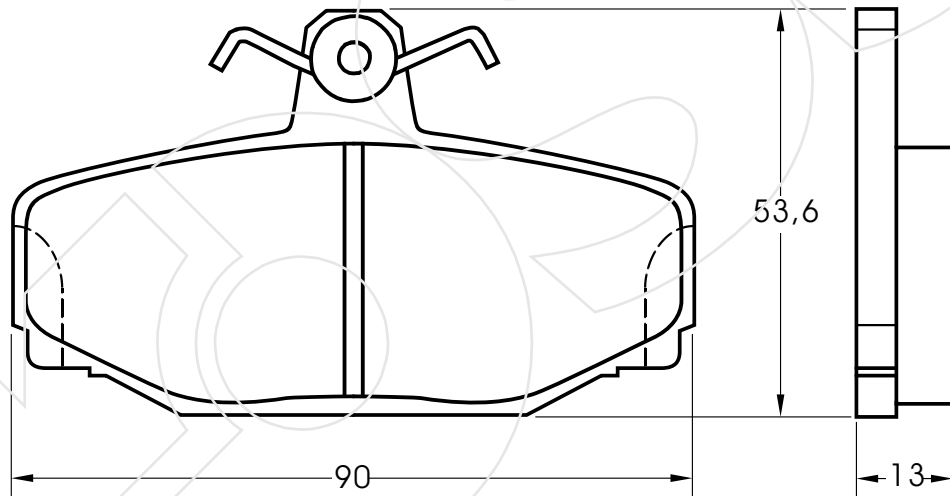
Reference in this Catalogue to other manufactures and to part numbers and other descriptions are for identification purposes only, because the above DISC BRAKE PADS are NOT ORIGINAL but with these interchangeable.

CODICE	IMPIANTO		ASSE	SCALA	APPLICAZIONI
<b>R-541</b>	GIRLING		ANTERIORE	1:1	VOLKSWAGEN
CODICE COMPONENTI	N°	L(mm)	SERIE		
M0015+P1004	4+4	*	4 PEZZI		
*	*	*			
*	*	*			
CODICE ACCESSORI	N°	L(mm)	NOTE		
			*		
	*		*		
*	*		*		
*	*		*		



Reference in this Catalogue to other manufactures and to part numbers and other descriptions are for identification purposes only, because the above DISC BRAKE PADS are NOT ORIGINAL but with these interchangeable.

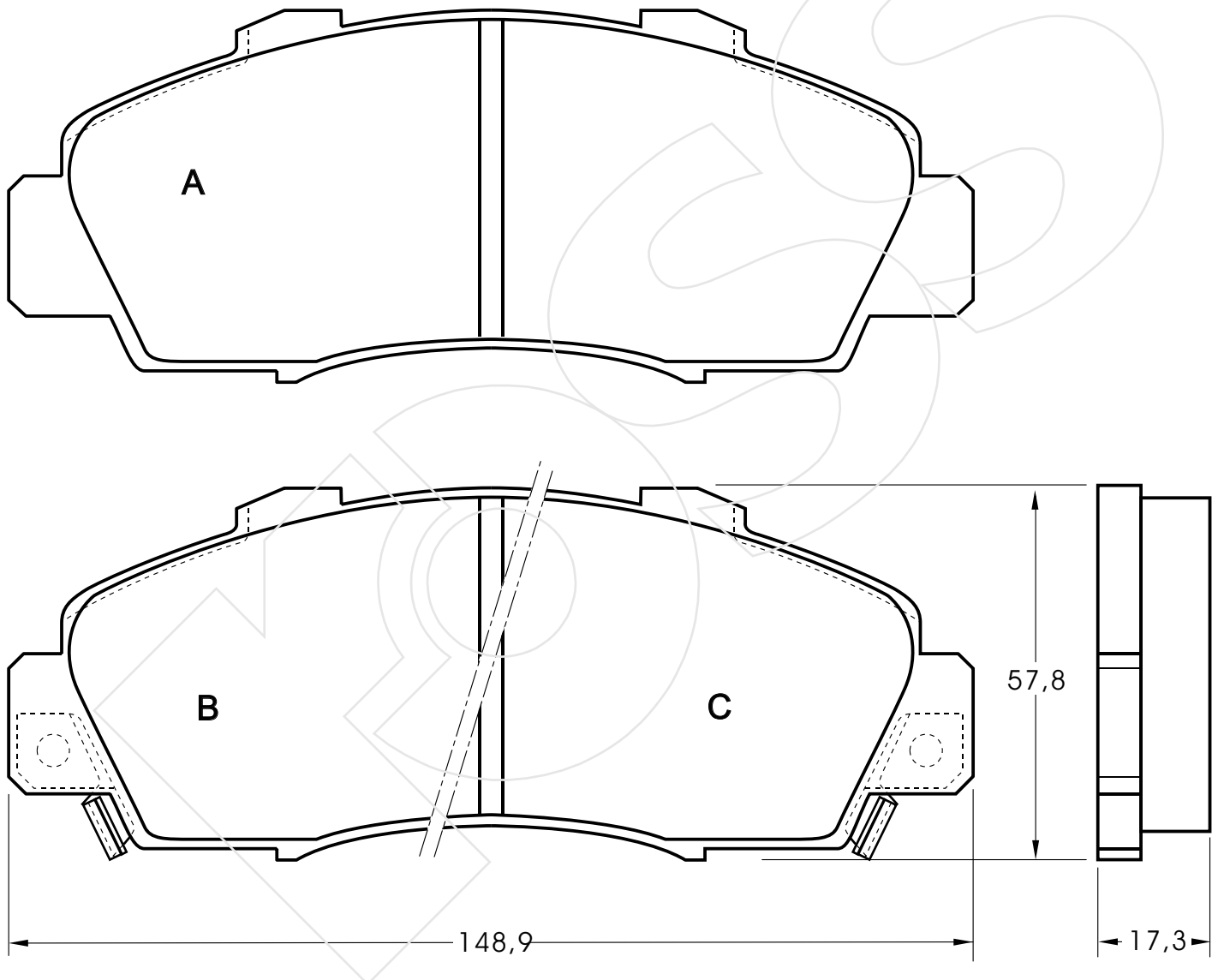
CODICE	IMPIANTO		ASSE	SCALA	APPLICAZIONI
<b>R-542</b>	GIRLING		POSTERIORE	1:1	VOLVO
CODICE COMPONENTI	N°	L(mm)	SERIE		
M0030+P1011	4+4	*	4 PEZZI		
*	*	*			
*	*	*			
CODICE ACCESSORI	N°	L(mm)	NOTE		
			*		
	*		*		
*	*		*		
*	*		*		



Reference in this Catalogue to other manufactures and to part numbers and other descriptions are for identification purposes only, because the above DISC BRAKE PADS are NOT ORIGINAL but with these interchangeable.

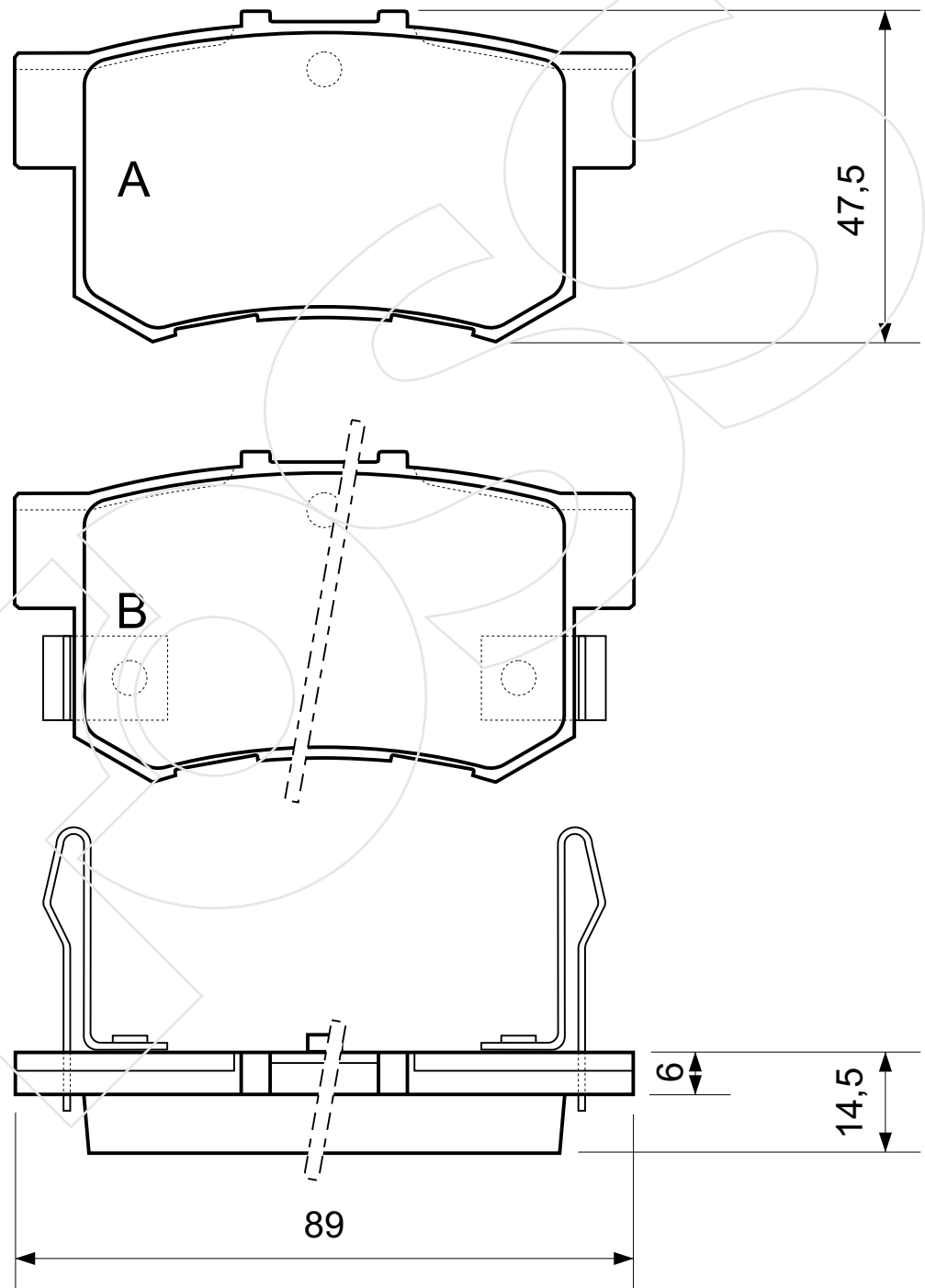


CODICE	IMPIANTO		ASSE	SCALA	APPLICAZIONI
<b>R-543</b>	AKEBONO		ANTERIORE	1:1	HONDA ROVER
CODICE COMPONENTI	N°	L(mm)	SERIE		
*	*	*	2 PEZZI TIPO A		
M0097	1	*	1 PEZZO TIPO B		
M0096	1	*	1 PEZZO TIPO C		
*	*	*			
*	*	*			
CODICE ACCESSORI	N°	L(mm)	NOTE		
			*		
	*		*		
*	*		*		
*	*		*		



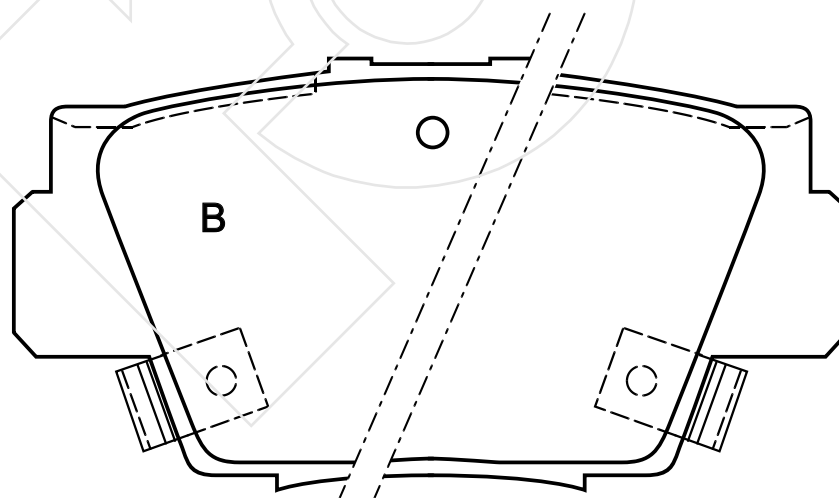
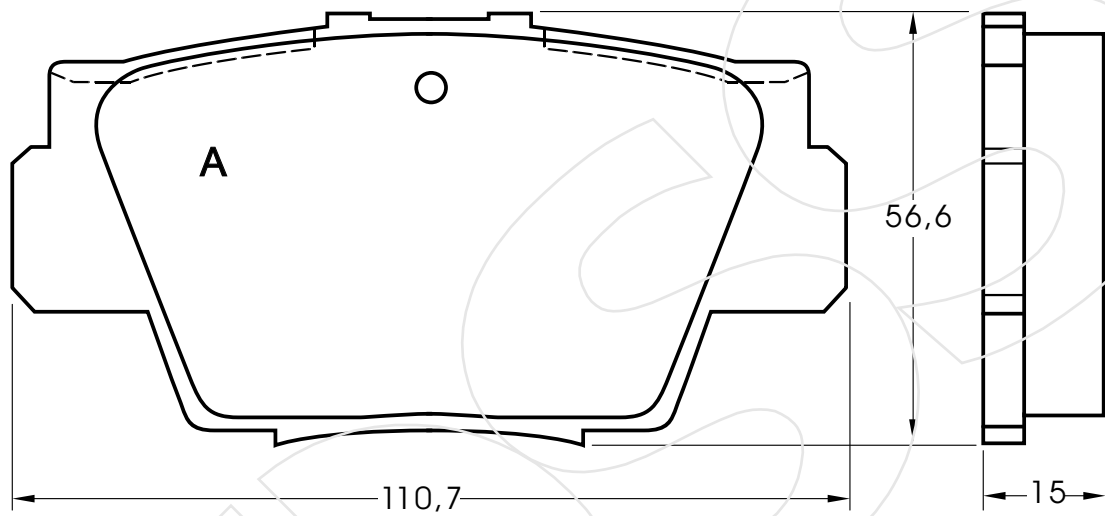
Reference in this Catalogue to other manufactures and to part numbers and other descriptions are for identification purposes only, because the above DISC BRAKE PADS are NOT ORIGINAL but with these interchangeable.

CODICE	IMPIANTO	ASSE	SCALA	APPLICAZIONI
<b>R-544</b>	AKEBONO	POSTERIORE	1:1	HONDA
CODICE COMPONENTI	N°	L(mm)	SERIE	
*	*	*	2 PEZZI TIPO A	
M 0092	1		1 PEZZO TIPO B CON MOLLAA DX	
M 0092	1		1 PEZZO TIPO B CON MOLLAA SX	
CODICE ACCESSORI	N°	L(mm)	NOTE	
*	*	*	*	
*	*	*	*	
*	*	*	*	
*	*	*	*	



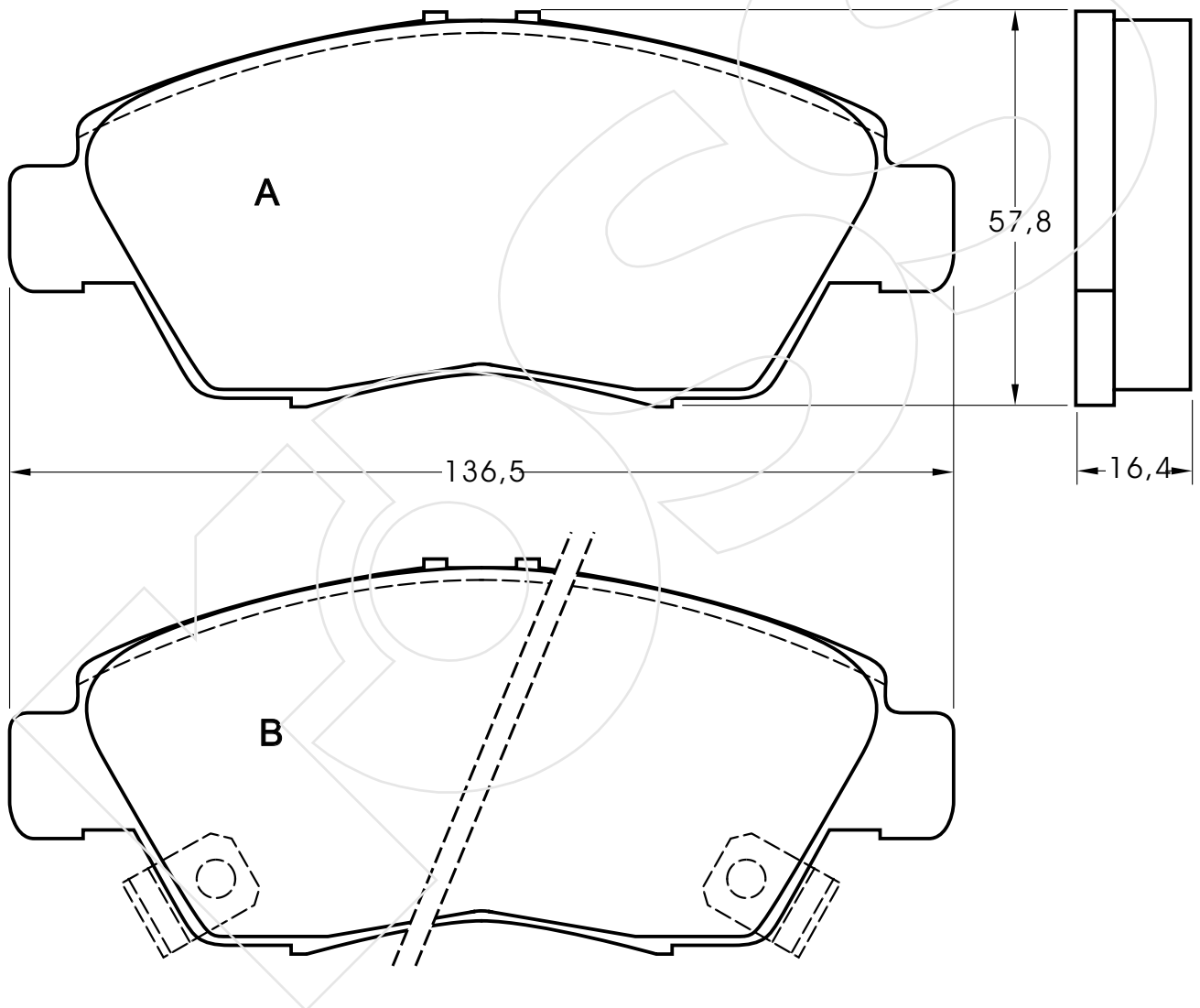
Reference in this Catalogue to other manufactures and to part numbers and other descriptions are for identification purposes only, because the above DISC BRAKE PADS are NOT ORIGINAL but with these interchangeable.

CODICE	IMPIANTO	ASSE	SCALA	APPLICAZIONI
<b>R-545</b>	AKEBONO	POSTERIORE	1:1	HONDA
CODICE COMPONENTI	N°	L(mm)	SERIE	
*	*	*	2 PEZZI TIPO A	
M0098	2	*	2 PEZZI TIPO B	
*	*	*		
*	*	*		
CODICE ACCESSORI	N°	L(mm)	NOTE	
			*	
	*		*	
*	*		*	
*	*		*	



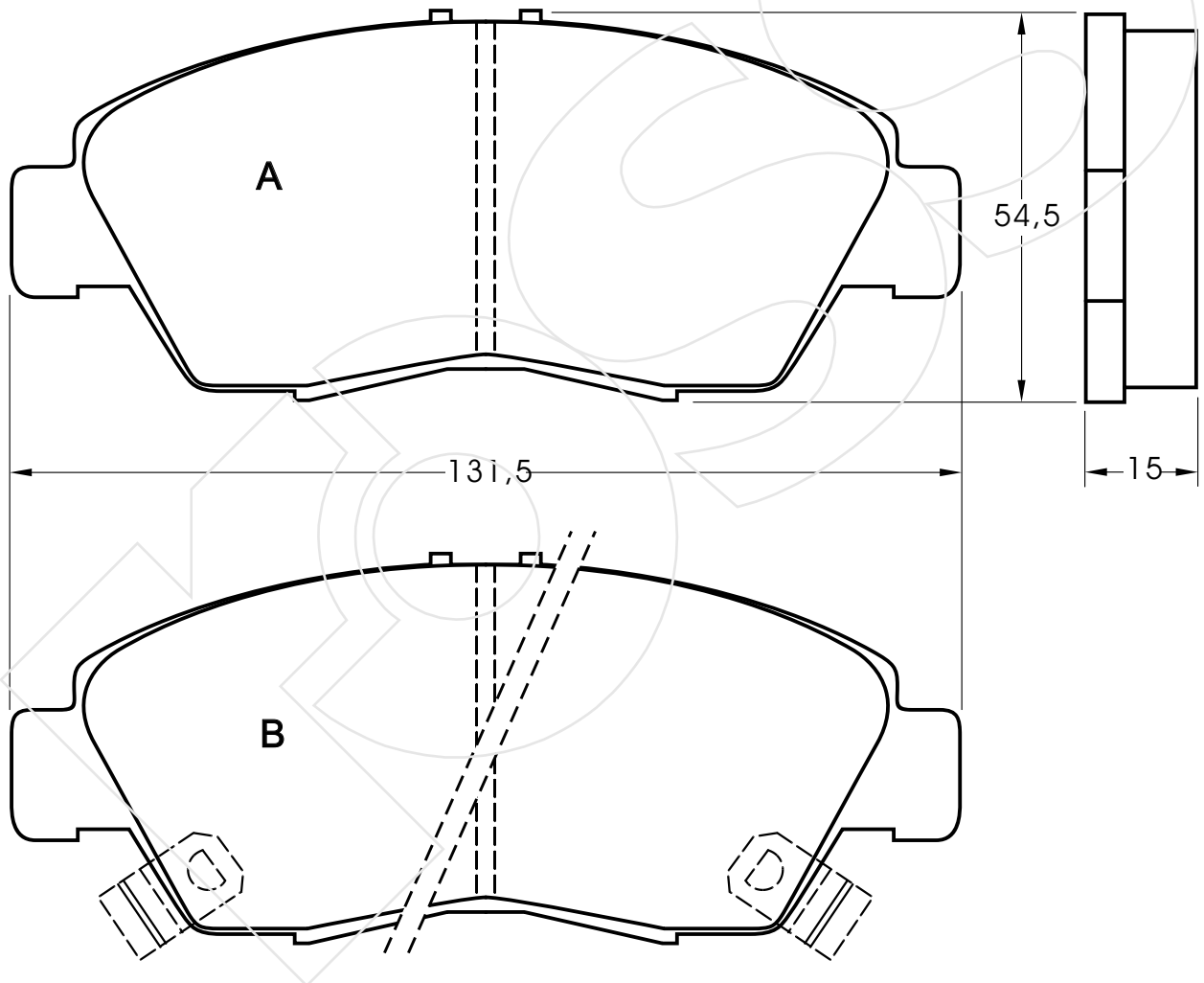
Reference in this Catalogue to other manufactures and to part numbers and other descriptions are for identification purposes only, because the above DISC BRAKE PADS are NOT ORIGINAL but with these interchangeable.

CODICE	IMPIANTO		ASSE	SCALA	APPLICAZIONI
<b>R-546</b>	AKEBONO		ANTERIORE	1:1	HONDA
CODICE COMPONENTI	N°	L(mm)	SERIE		
*	*	*	2 PEZZI TIPO A		
M0092	2	*	2 PEZZI TIPO B		
*	*	*			
*	*	*			
CODICE ACCESSORI	N°	L(mm)	NOTE		
			*		
	*		*		
*	*		*		
*	*		*		



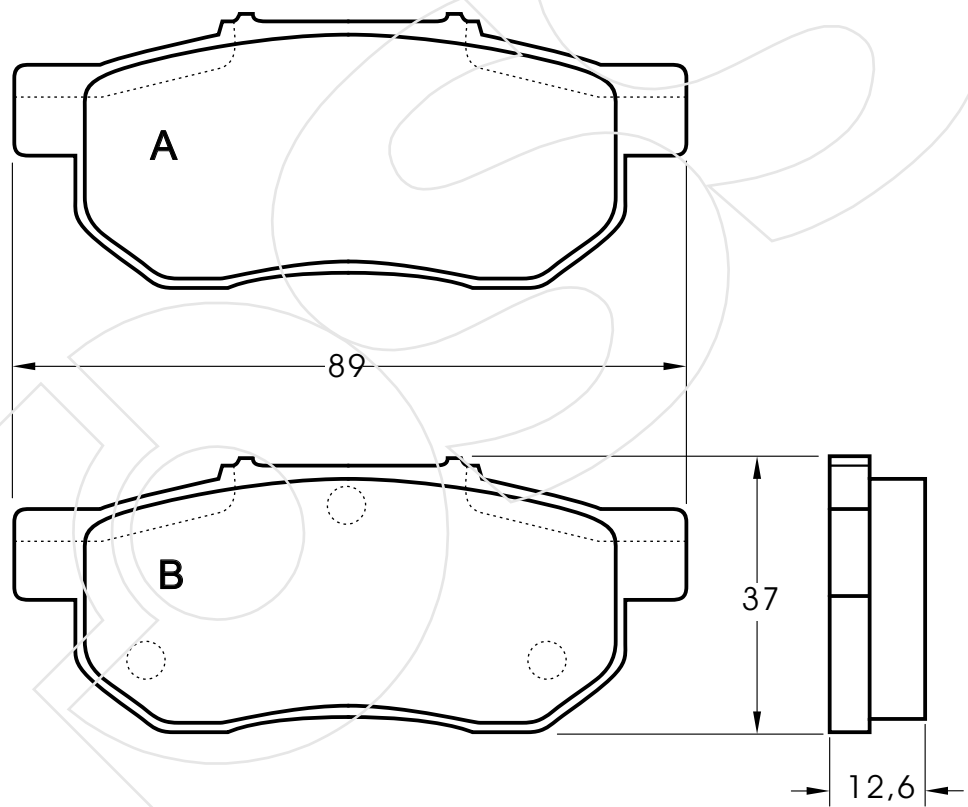
Reference in this Catalogue to other manufactures and to part numbers and other descriptions are for identification purposes only, because the above DISC BRAKE PADS are NOT ORIGINAL but with these interchangeable.

CODICE	IMPIANTO	ASSE	SCALA	APPLICAZIONI
<b>R-547</b>	AKEBONO	ANTERIORE	1:1	HONDA
CODICE COMPONENTI	N°	L(mm)	SERIE	
*	*	*	2 PEZZI TIPO A	
M0036	2	*	2 PEZZI TIPO B	
*	*	*		
*	*	*		
CODICE ACCESSORI	N°	L(mm)	NOTE	
			*	
	*		*	
*	*		*	
*	*		*	



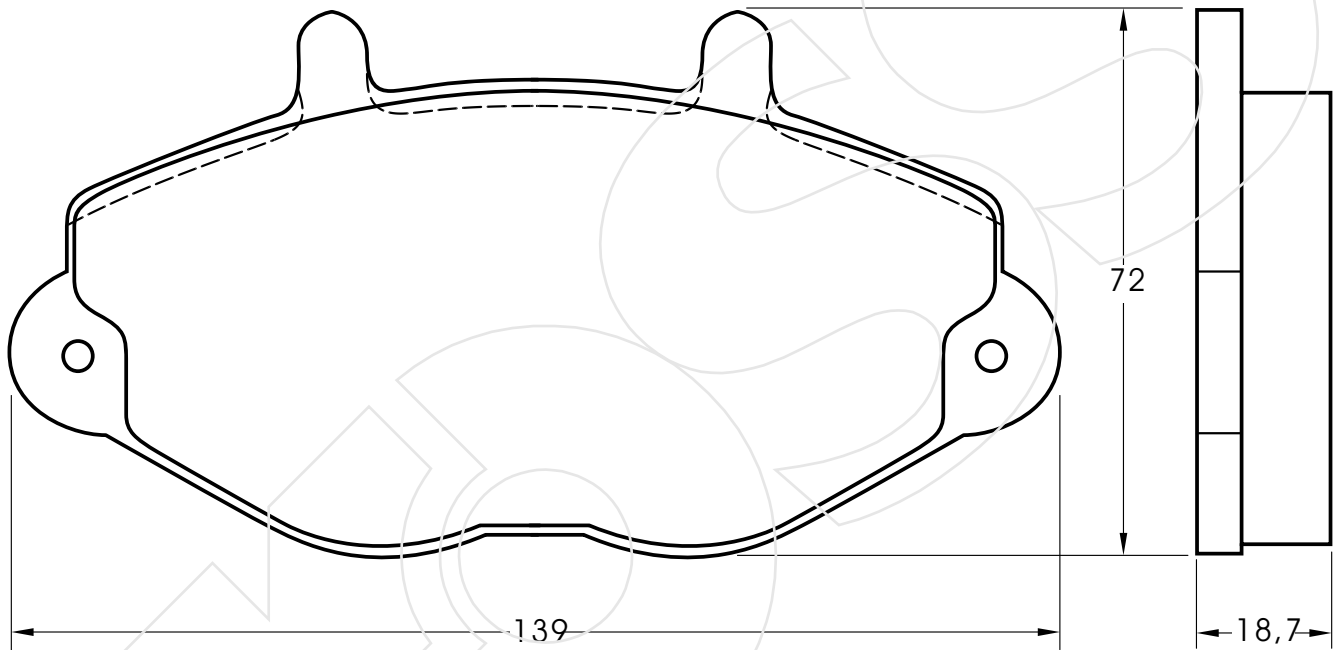
Reference in this Catalogue to other manufactures and to part numbers and other descriptions are for identification purposes only, because the above DISC BRAKE PADS are NOT ORIGINAL but with these interchangeable.

CODICE	IMPIANTO	ASSE	SCALA	APPLICAZIONI
<b>R-548</b>	AKEBONO	POSTERIORE	1:1	HONDA
CODICE COMPONENTI	N°	L(mm)	SERIE	
*	*	*	2 PEZZI TIPO A	
*	*	*	2 PEZZI TIPO B	
*	*	*		
*	*	*		
CODICE ACCESSORI	N°	L(mm)	NOTE	
			*	
	*		*	
*	*		*	
*	*		*	



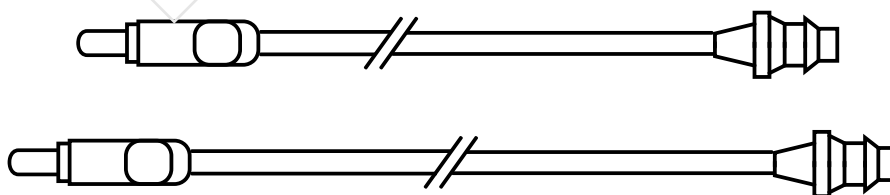
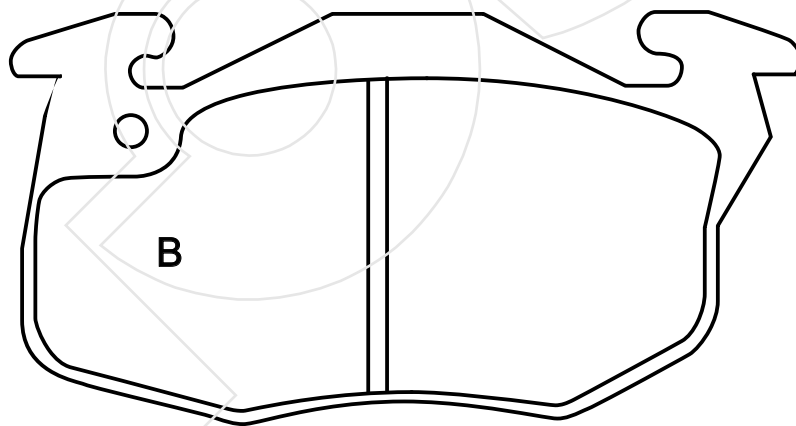
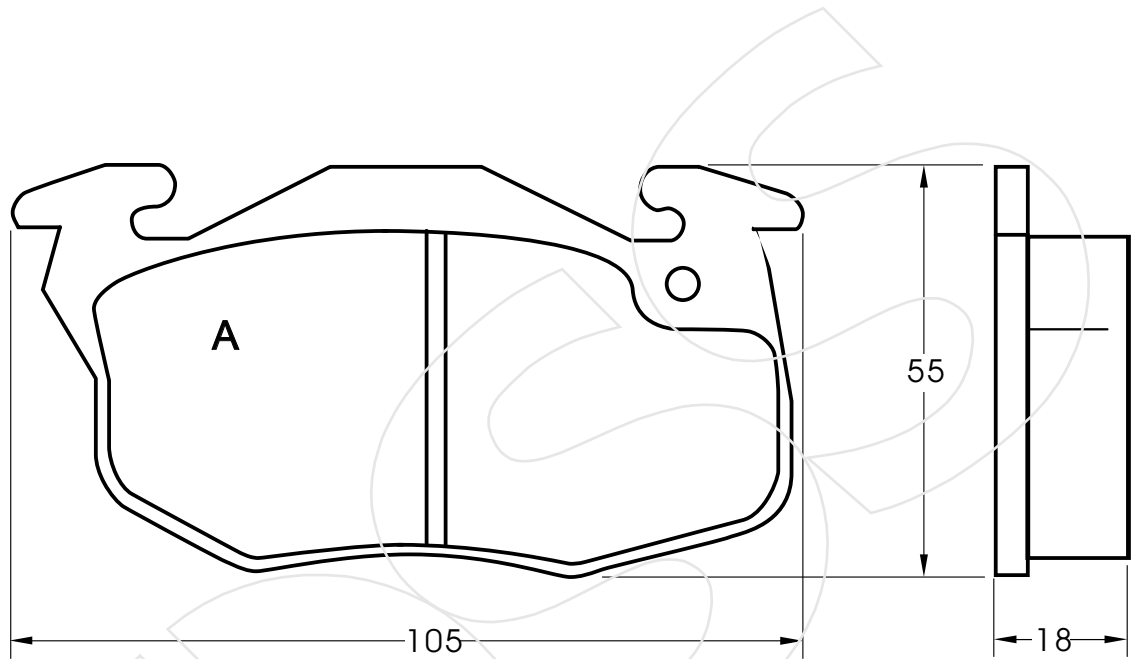
Reference in this Catalogue to other manufactures and to part numbers and other descriptions are for identification purposes only, because the above DISC BRAKE PADS are NOT ORIGINAL but with these interchangeable.

CODICE	IMPIANTO		ASSE	SCALA	APPLICAZIONI
<b>R-549</b>	BENDIX		ANTERIORE	1:1	FORD
CODICE COMPONENTI	N°	L(mm)	SERIE		
*	*	*	4 PEZZI		
*	*	*			
*	*	*			
CODICE ACCESSORI	N°	L(mm)	NOTE		
			*		
	*		*		
*	*		*		
*	*		*		



Reference in this Catalogue to other manufactures and to part numbers and other descriptions are for identification purposes only, because the above DISC BRAKE PADS are NOT ORIGINAL but with these interchangeable.

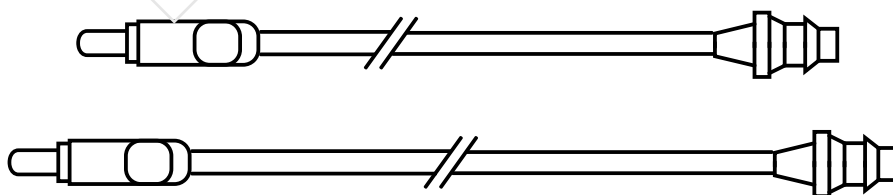
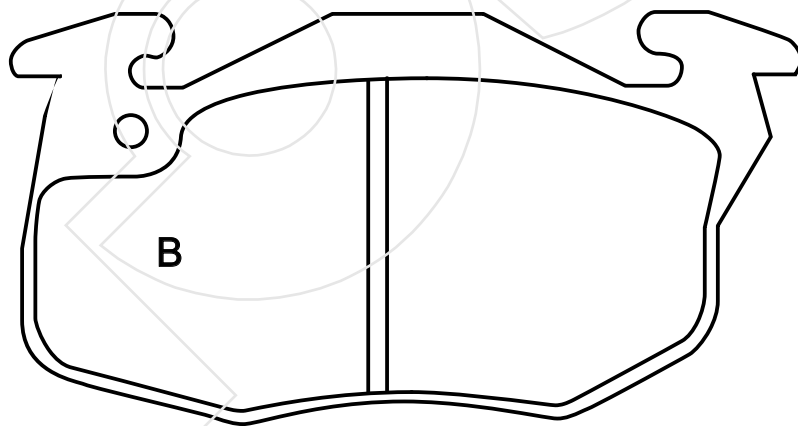
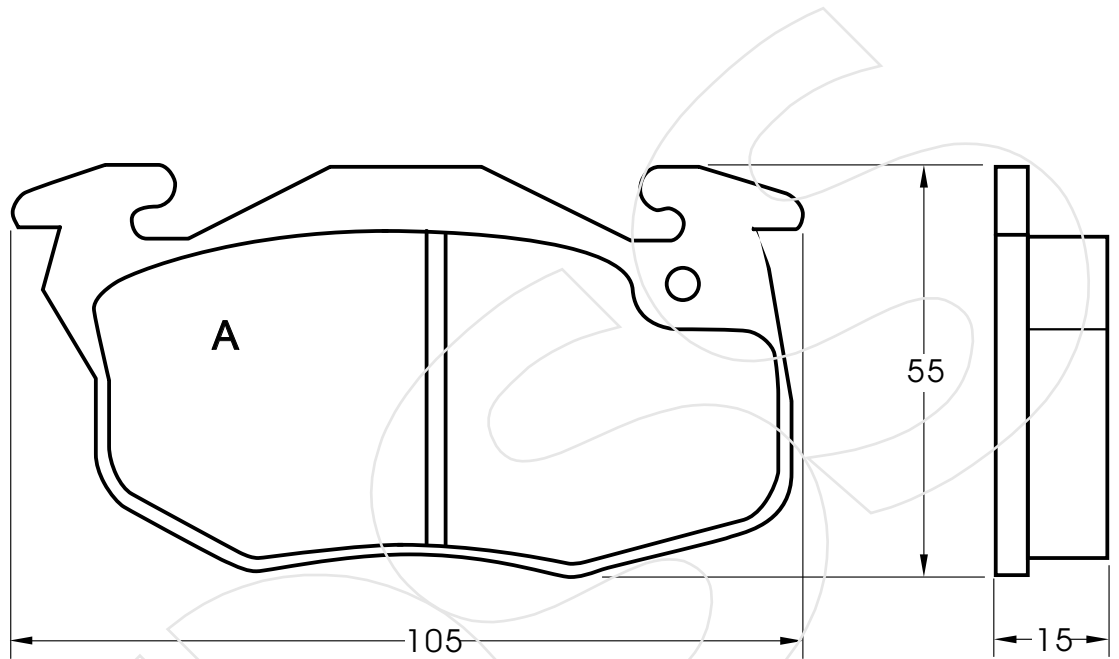
CODICE	IMPIANTO		ASSE	SCALA	APPLICAZIONI
<b>R-550</b>	BENDIX		ANTERIORE	1:1	CITROEN PEUGEOT
CODICE COMPONENTI	N°	L(mm)	SERIE		
*	*	*	2 PEZZI TIPO A		
*	*	*	2 PEZZI TIPO B		
F3053	2	200			
F3055	2	338			
CODICE ACCESSORI	N°	L(mm)	NOTE		
			*		
	*		*		
*	*		*		
*	*		*		



Reference in this Catalogue to other manufactures and to part numbers and other descriptions are for identification purposes only, because the above DISC BRAKE PADS are NOT ORIGINAL but with these interchangeable.

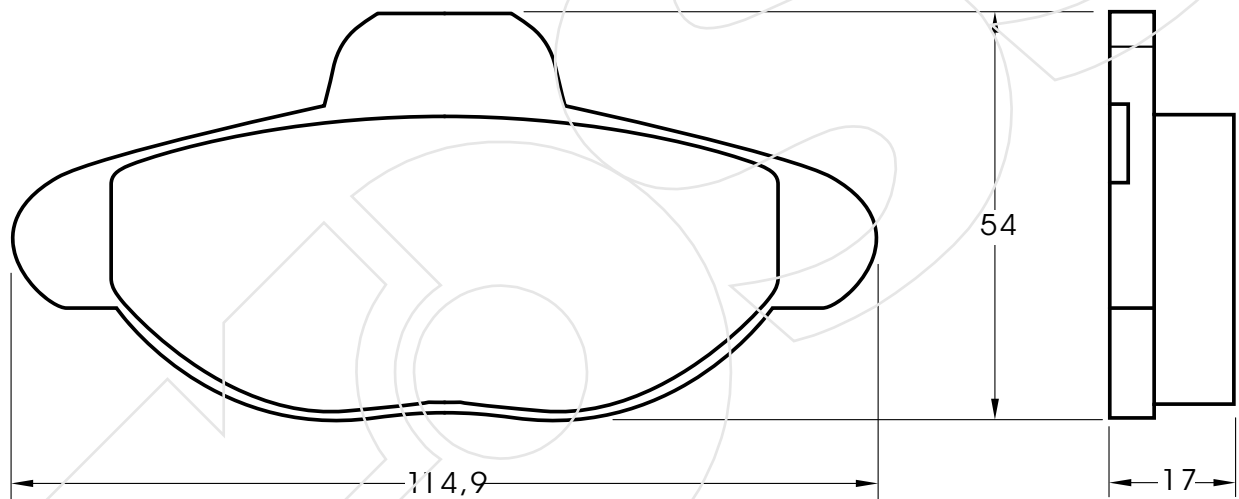


CODICE	IMPIANTO		ASSE	SCALA	APPLICAZIONI
<b>R-551</b>	BENDIX		ANTERIORE	1:1	CITROEN PEUGEOT
CODICE COMPONENTI	N°	L(mm)	SERIE		
*	*	*	2 PEZZI TIPO A		
*	*	*	2 PEZZI TIPO B		
F3053	2	200			
F3055	2	338			
CODICE ACCESSORI	N°	L(mm)	NOTE		
			*		
	*		*		
*	*		*		
*	*		*		



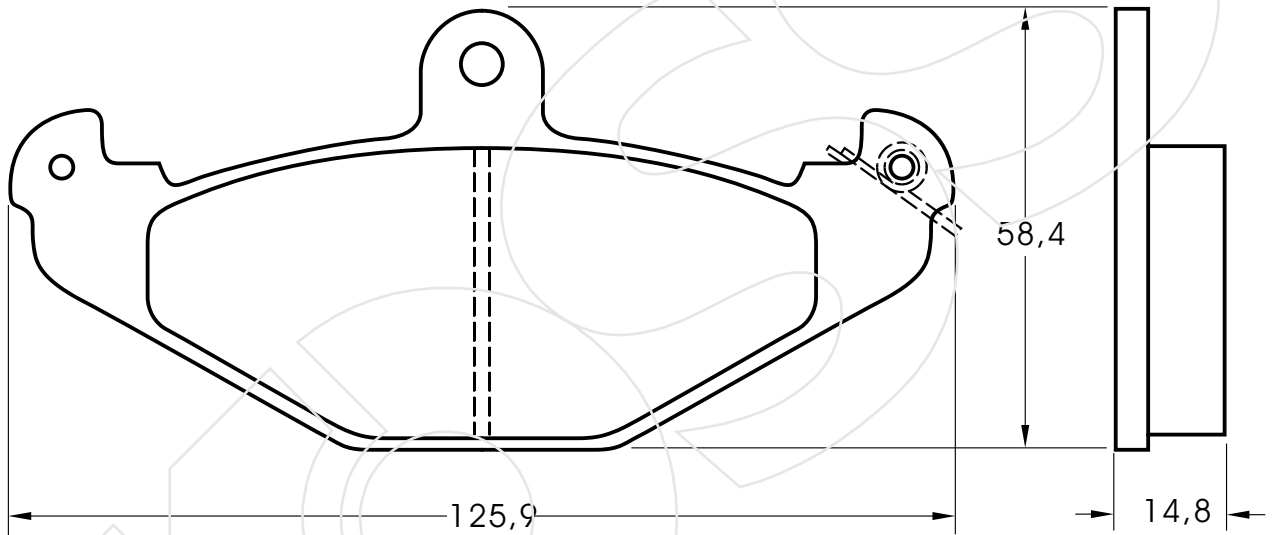
Reference in this Catalogue to other manufactures and to part numbers and other descriptions are for identification purposes only, because the above DISC BRAKE PADS are NOT ORIGINAL but with these interchangeable.

CODICE	IMPIANTO		ASSE	SCALA	APPLICAZIONI
<b>R-552</b>	BENDIX		ANTERIORE	1:1	FIAT
CODICE COMPONENTI	N°	L(mm)	SERIE		
*	*	*	4 PEZZI		
*	*	*			
*	*	*			
CODICE ACCESSORI	N°	L(mm)	NOTE		
			*		
	*		*		
*	*		*		
*	*		*		



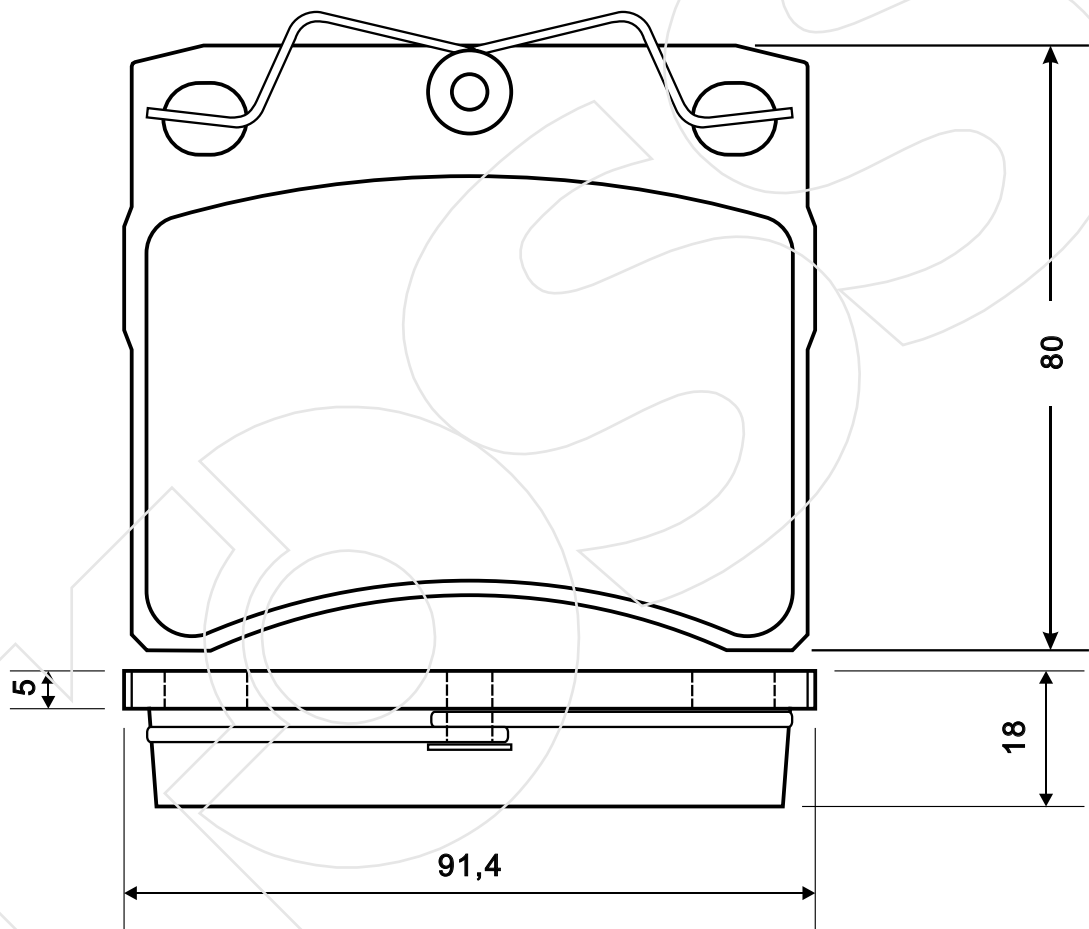
Reference in this Catalogue to other manufactures and to part numbers and other descriptions are for identification purposes only, because the above DISC BRAKE PADS are NOT ORIGINAL but with these interchangeable.

CODICE	IMPIANTO		ASSE	SCALA	APPLICAZIONI
<b>R-553</b>	BREMBO		POSTERIORE	1:1	RENAULT
CODICE COMPONENTI	N°	L(mm)	SERIE		
KIT M0099	1	*	4 PEZZI		
*	*	*			
*	*	*			
CODICE ACCESSORI	N°	L(mm)	NOTE		
			*		
	*		*		
*	*		*		
*	*		*		



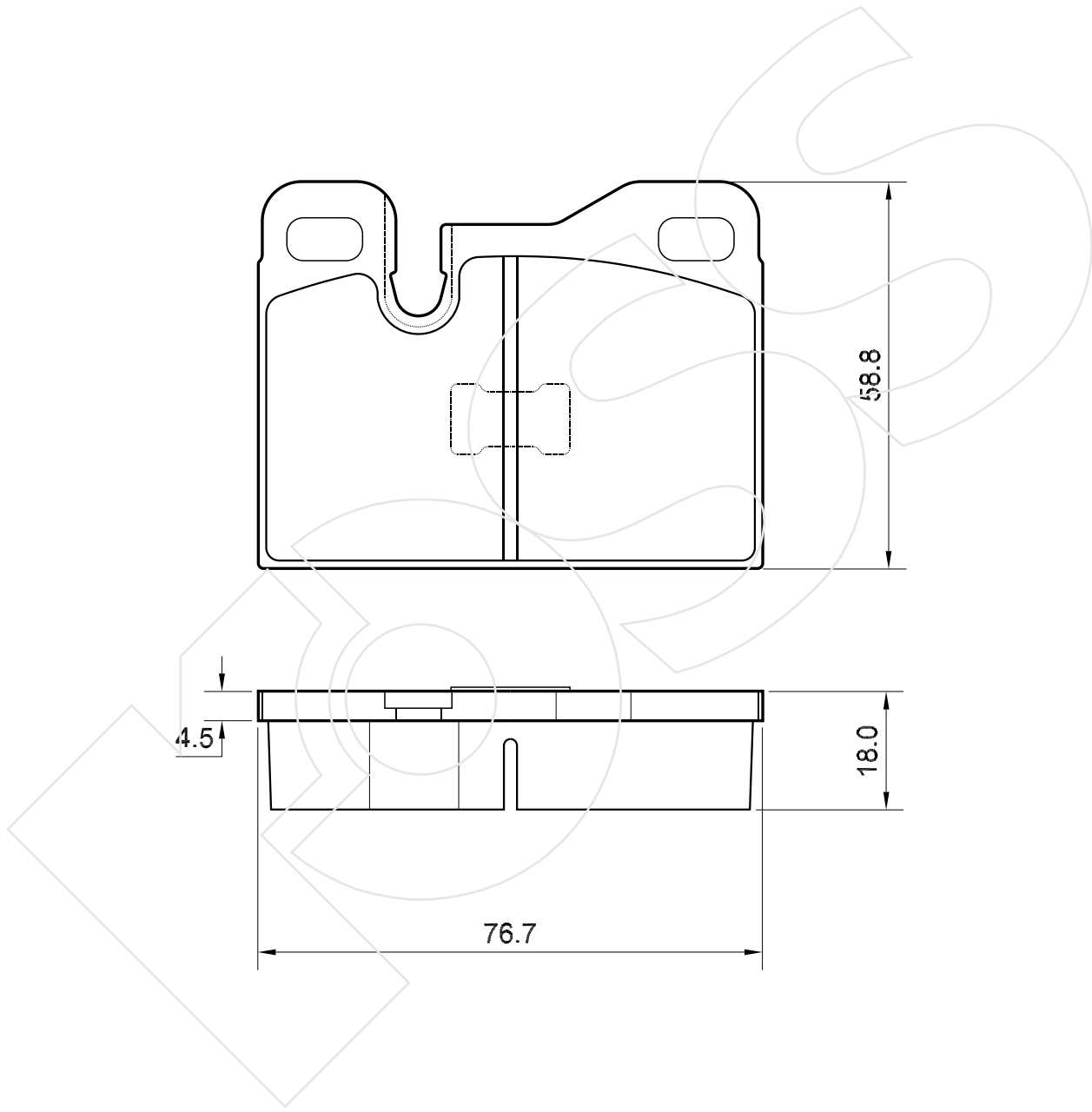
Reference in this Catalogue to other manufactures and to part numbers and other descriptions are for identification purposes only, because the above DISC BRAKE PADS are NOT ORIGINAL but with these interchangeable.

CODICE	IMPIANTO		ASSE	SCALA	APPLICAZIONI
<b>R-554</b>	GIRLING		ANTERIORE	1:1	VOLKSWAGEN
CODICE COMPONENTI	N°	L(mm)	SERIE		
M0100+P1005	4+4	*	4 PEZZI		
*	*	*			
*	*	*			
CODICE ACCESSORI	N°	L(mm)	NOTE		
			*		
	*		*		
*	*		*		
*	*		*		



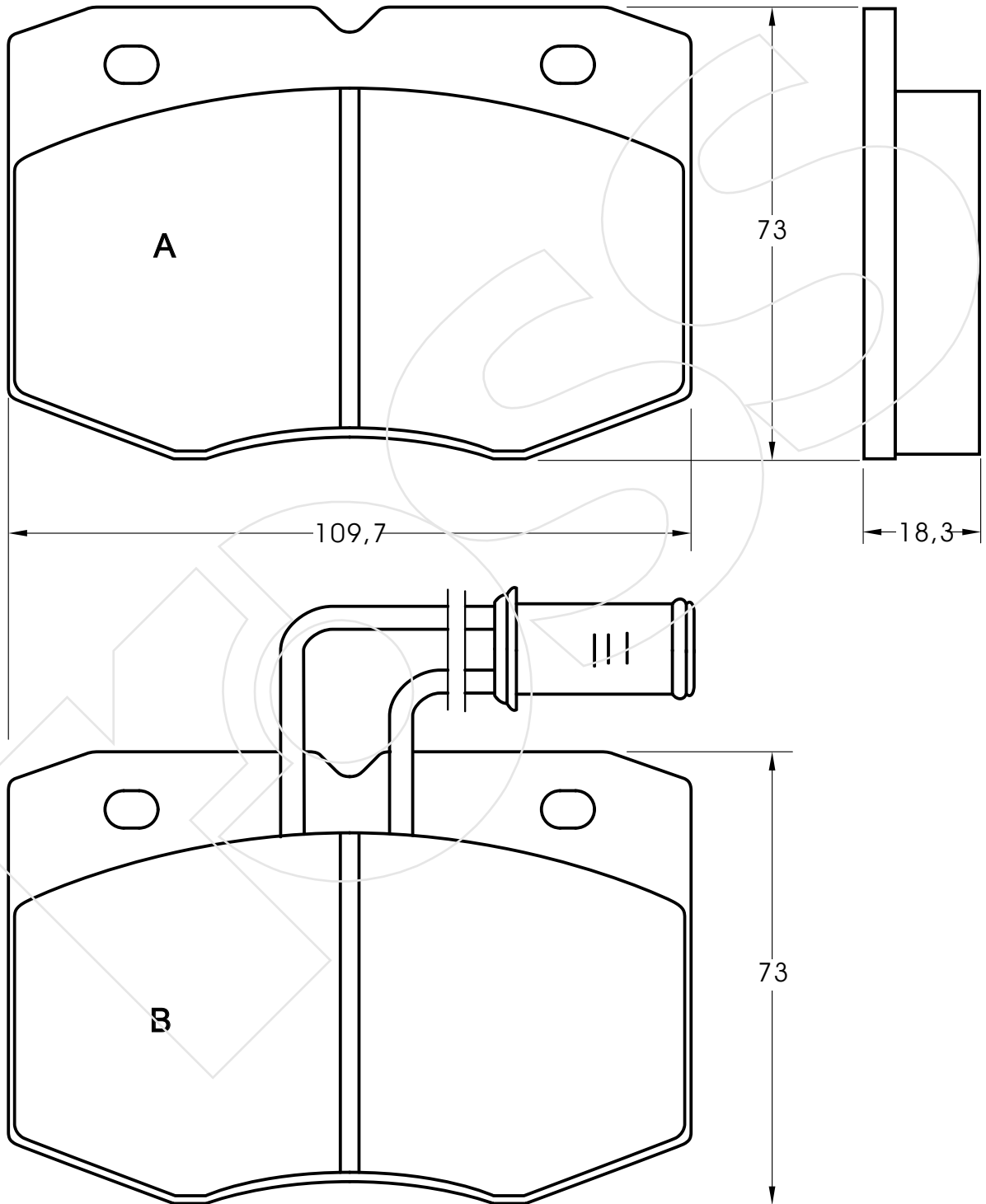
Reference in this Catalogue to other manufactures and to part numbers and other descriptions are for identification purposes only, because the above DISC BRAKE PADS are NOT ORIGINAL but with these interchangeable.

CODICE	IMPIANTO	ASSE	SCALA	APPLICAZIONI
<b>R-555</b>	ATE	ANTERIORE/POSTERIORE	1:1	PORSCHE
CODICE COMPONENTI	N°	L(mm)	SERIE	
*	*	*	4 PEZZI	
*	*	*	*	
*	*	*	*	
*	*	*	*	
CODICE ACCESSORI	N°	L(mm)	NOTE	
*	*	*	*	
*	*	*	*	
*	*	*	*	
*	*	*	*	



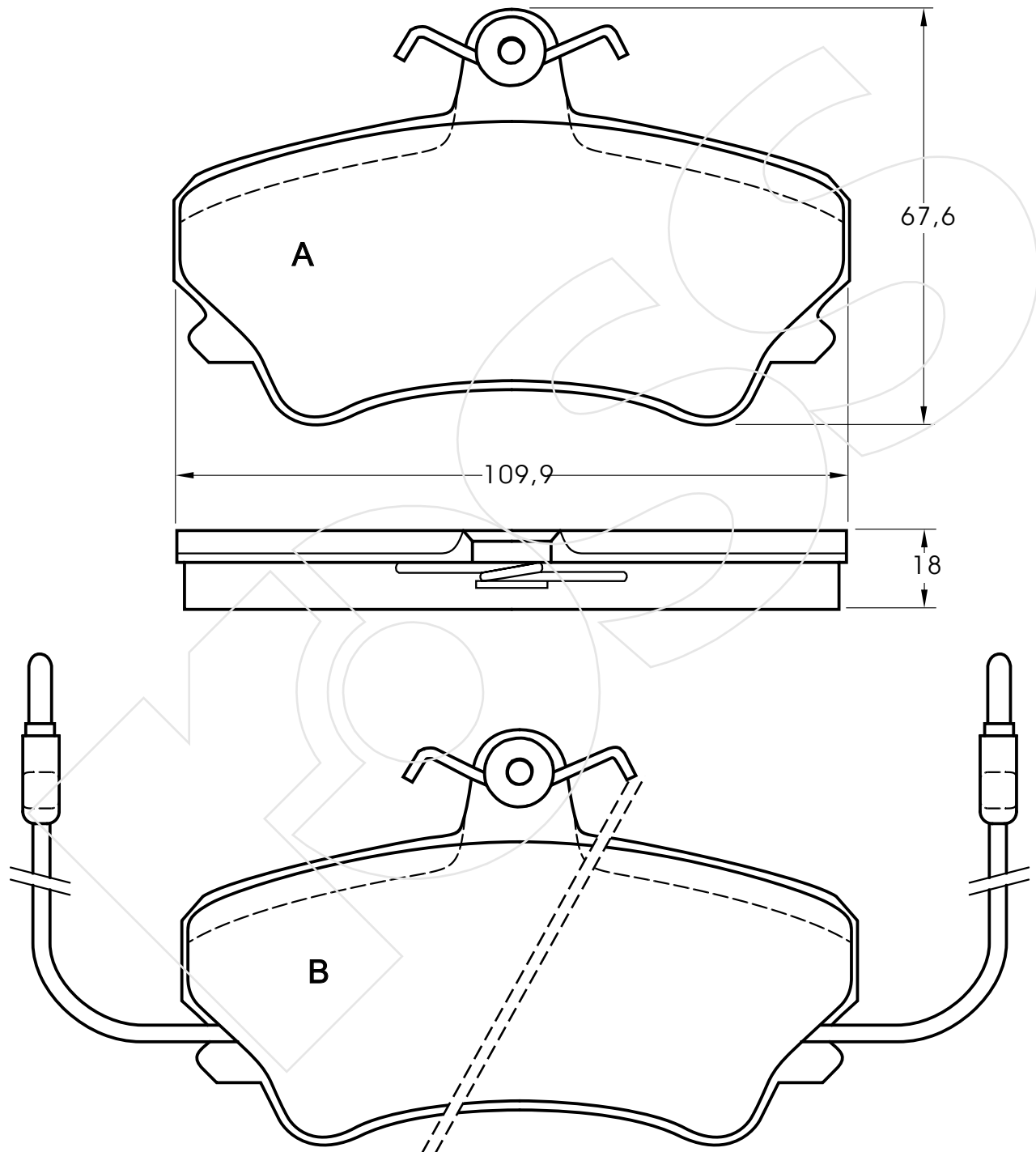
Reference in this Catalogue to other manufactures and to part numbers and other descriptions are for identification purposes only, because the above DISC BRAKE PADS are NOT ORIGINAL but with these interchangeable.

CODICE	IMPIANTO	ASSE	SCALA	APPLICAZIONI
<b>R-556</b>	BREMBO	ANTERIORE	1:1	FIAT-IVECO
CODICE COMPONENTI	N°	L(mm)	SERIE	
*	*		2 PEZZI TIPO A	
F3011	2	170	2 PEZZI TIPO B	
*	*			
CODICE ACCESSORI	N°	L(mm)	NOTE	
			*	
*	*		*	
*	*		*	
*	*		*	



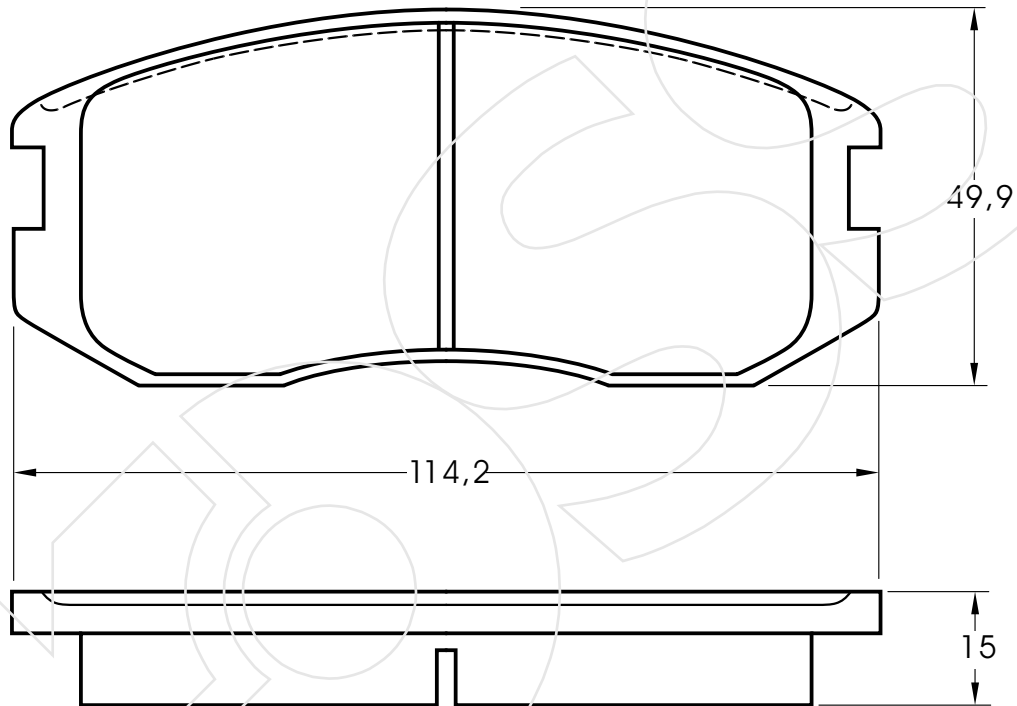
Reference in this Catalogue to other manufactures and to part numbers and other descriptions are for identification purposes only, because the above DISC BRAKE PADS are NOT ORIGINAL but with these interchangeable.

CODICE	IMPIANTO		ASSE	SCALA	APPLICAZIONI
<b>R-557</b>	GIRLING		ANTERIORE	1:1	RENAULT
CODICE COMPONENTI	N°	L(mm)	SERIE		
*	*		2 PEZZI TIPO A		
M0030+P1011+F3005	2+2+2	200	2 PEZZI TIPO B		
*	*				
CODICE ACCESSORI	N°	L(mm)	NOTE		
			*		
*	*		*		
*	*		*		
*	*		*		



Reference in this Catalogue to other manufactures and to part numbers and other descriptions are for identification purposes only, because the above DISC BRAKE PADS are NOT ORIGINAL but with these interchangeable.

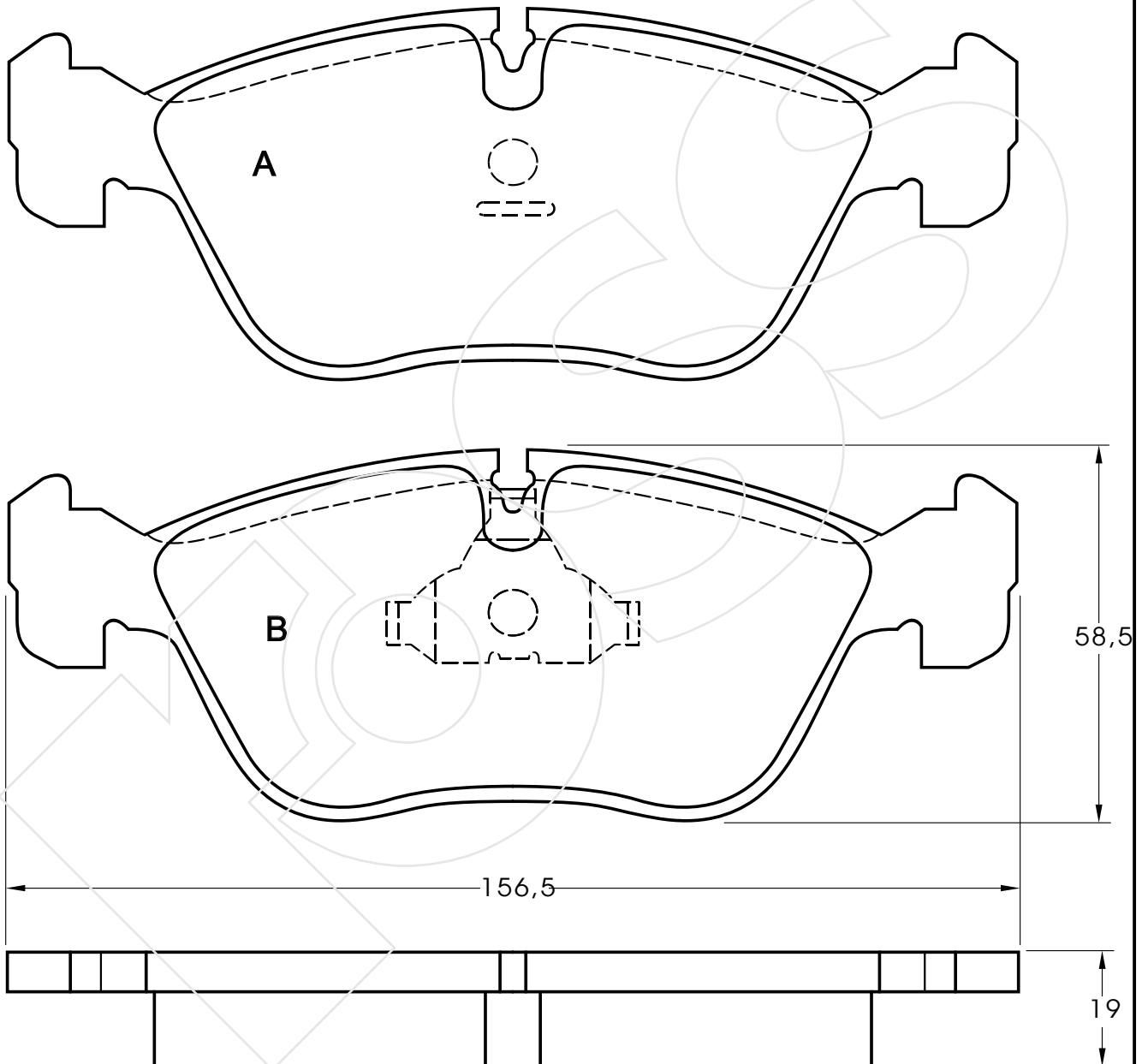
CODICE	IMPIANTO		ASSE	SCALA	APPLICAZIONI
<b>R-558</b>	SUMITOMO		ANTERIORE	1:1	MITSUBISHI
CODICE COMPONENTI	N°	L(mm)	SERIE		
*	*	*	4 PEZZI		
*	*	*			
*	*	*			
CODICE ACCESSORI	N°	L(mm)	NOTE		
			*		
	*		*		
*	*		*		
*	*		*		



Reference in this Catalogue to other manufactures and to part numbers and other descriptions are for identification purposes only, because the above DISC BRAKE PADS are NOT ORIGINAL but with these interchangeable.

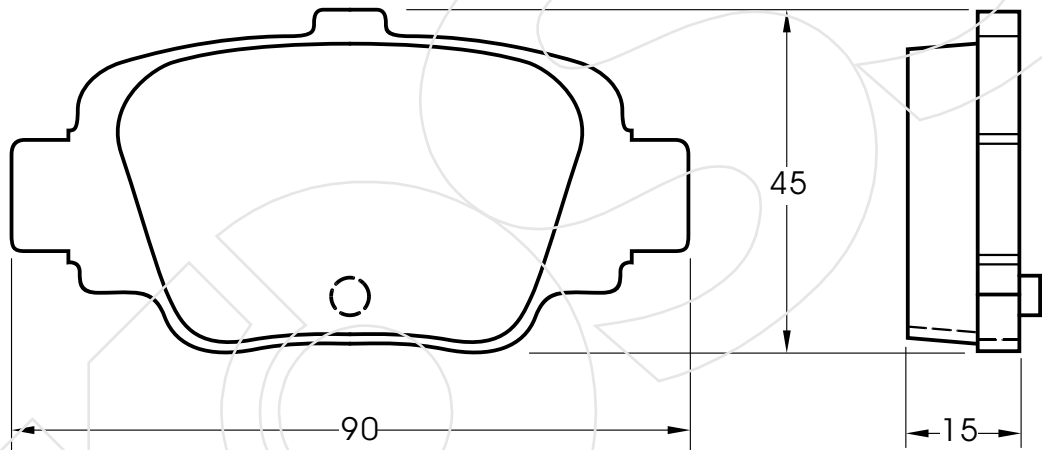


CODICE	IMPIANTO		ASSE	SCALA	APPLICAZIONI
<b>R-559</b>	ATE		ANTERIORE	1:1	VOLVO
CODICE COMPONENTI	N°	L(mm)	SERIE		
*	*		2 PEZZI TIPO A		
M0129+P1002	2+2	*	2 PEZZI TIPO B		
*	*				
CODICE ACCESSORI	N°	L(mm)	NOTE		
			*		
*	*		*		
*	*		*		
*	*		*		



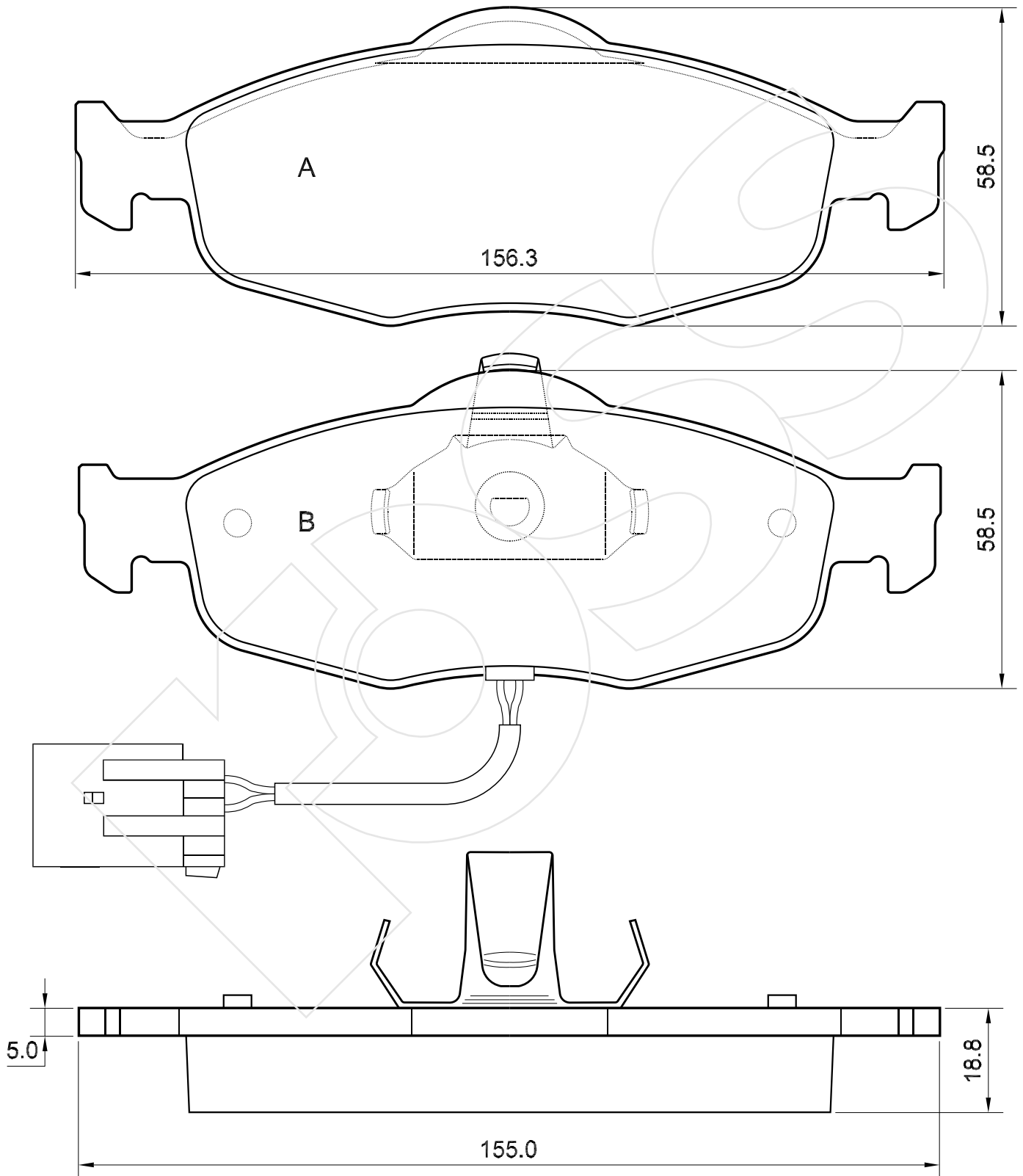
Reference in this Catalogue to other manufactures and to part numbers and other descriptions are for identification purposes only, because the above DISC BRAKE PADS are NOT ORIGINAL but with these interchangeable.

CODICE	IMPIANTO		ASSE	SCALA	APPLICAZIONI
<b>R-560</b>	SUMITOMO		POSTERIORE	1:1	NISSAN-DATSUN
CODICE COMPONENTI	N°	L(mm)	SERIE		
*	*	*	4 PEZZI		
*	*	*			
*	*	*			
CODICE ACCESSORI	N°	L(mm)	NOTE		
			*		
	*		*		
*	*		*		
*	*		*		



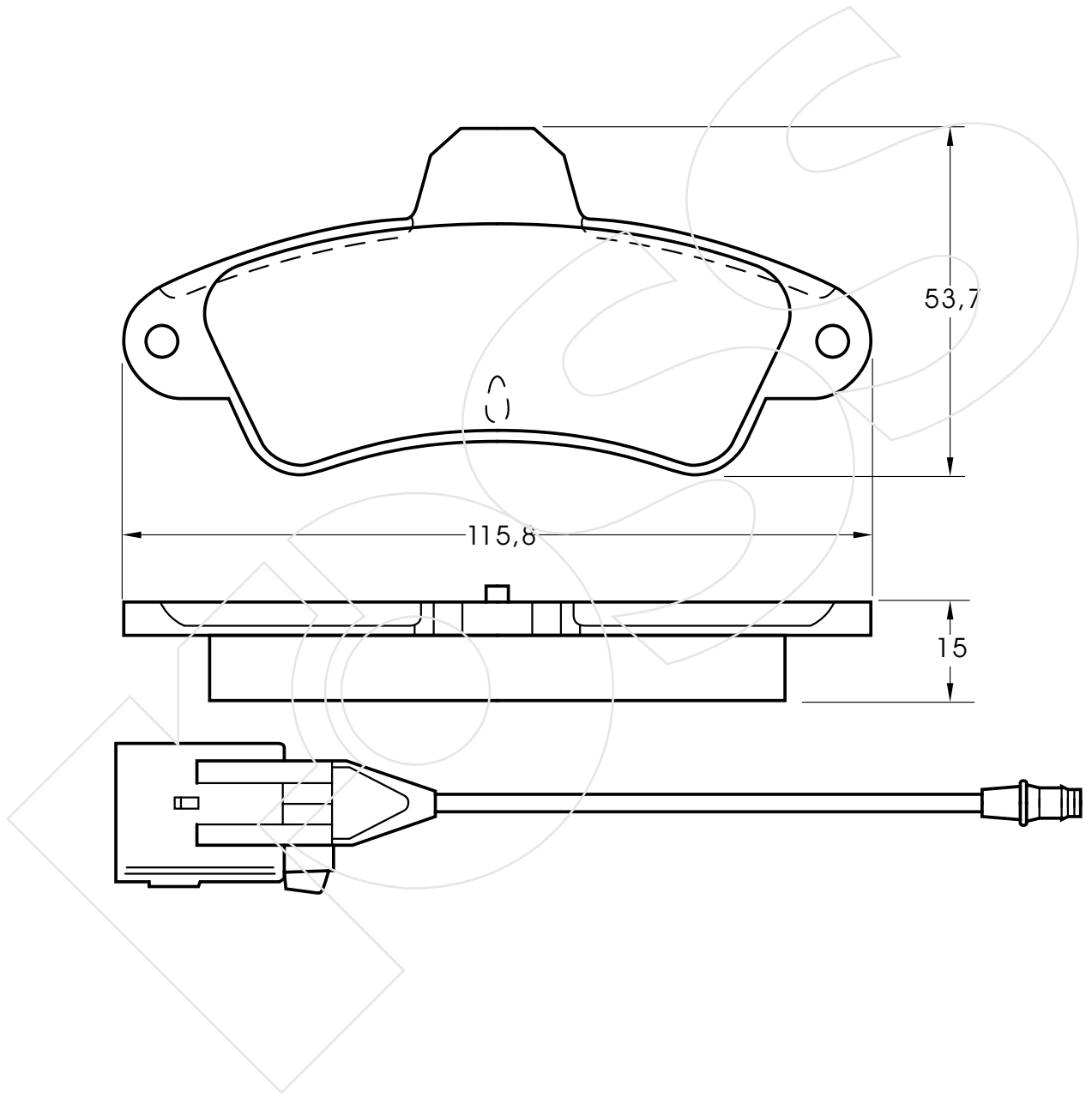
Reference in this Catalogue to other manufactures and to part numbers and other descriptions are for identification purposes only, because the above DISC BRAKE PADS are NOT ORIGINAL but with these interchangeable.

CODICE	IMPIANTO		ASSE	SCALA	APPLICAZIONI
<b>R-561</b>	ATE		ANTERIORE	1:1	FORD
CODICE COMPONENTI	N°	L(mm)	SERIE		
*	*	*	2 PEZZI TIPO A		
M0101+F3038	2+2	225	2 PEZZI TIPO B		
*	*	*	*		
*	*	*	*		
CODICE ACCESSORI	N°	L(mm)	NOTE		
*	*	*	*		
*	*	*	*		
*	*	*	*		
*	*	*	*		



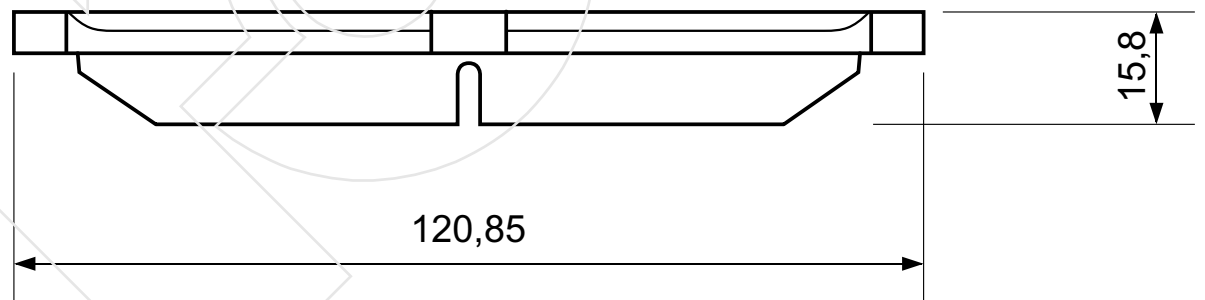
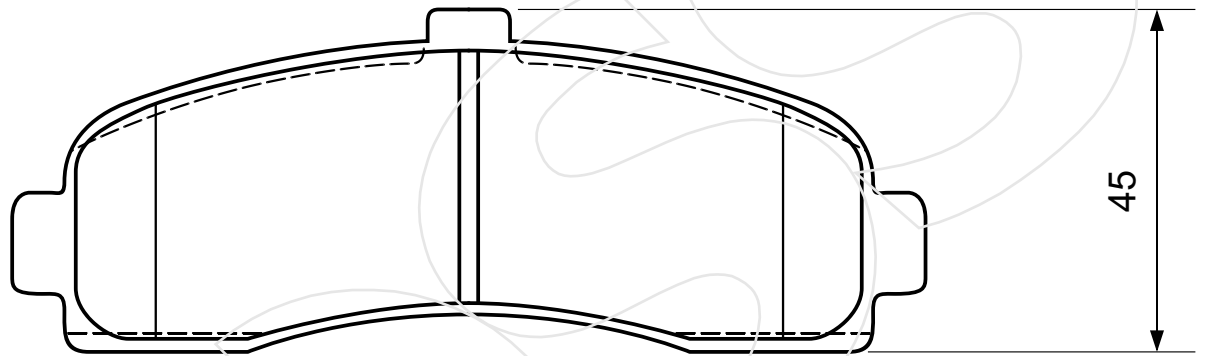
Reference in this Catalogue to other manufactures and to part numbers and other descriptions are for identification purposes only, because the above DISC BRAKE PADS are NOT ORIGINAL but with these interchangeable.

CODICE	IMPIANTO		ASSE	SCALA	APPLICAZIONI
<b>R-562</b>	BENDIX		POSTERIORE	1:1	FORD
CODICE COMPONENTI	N°	L(mm)	SERIE		
F3058	2	150	4 PEZZI		
*	*	*			
*	*				
CODICE ACCESSORI	N°	L(mm)	NOTE		
			*		
	*		*		
*	*		*		
*	*		*		



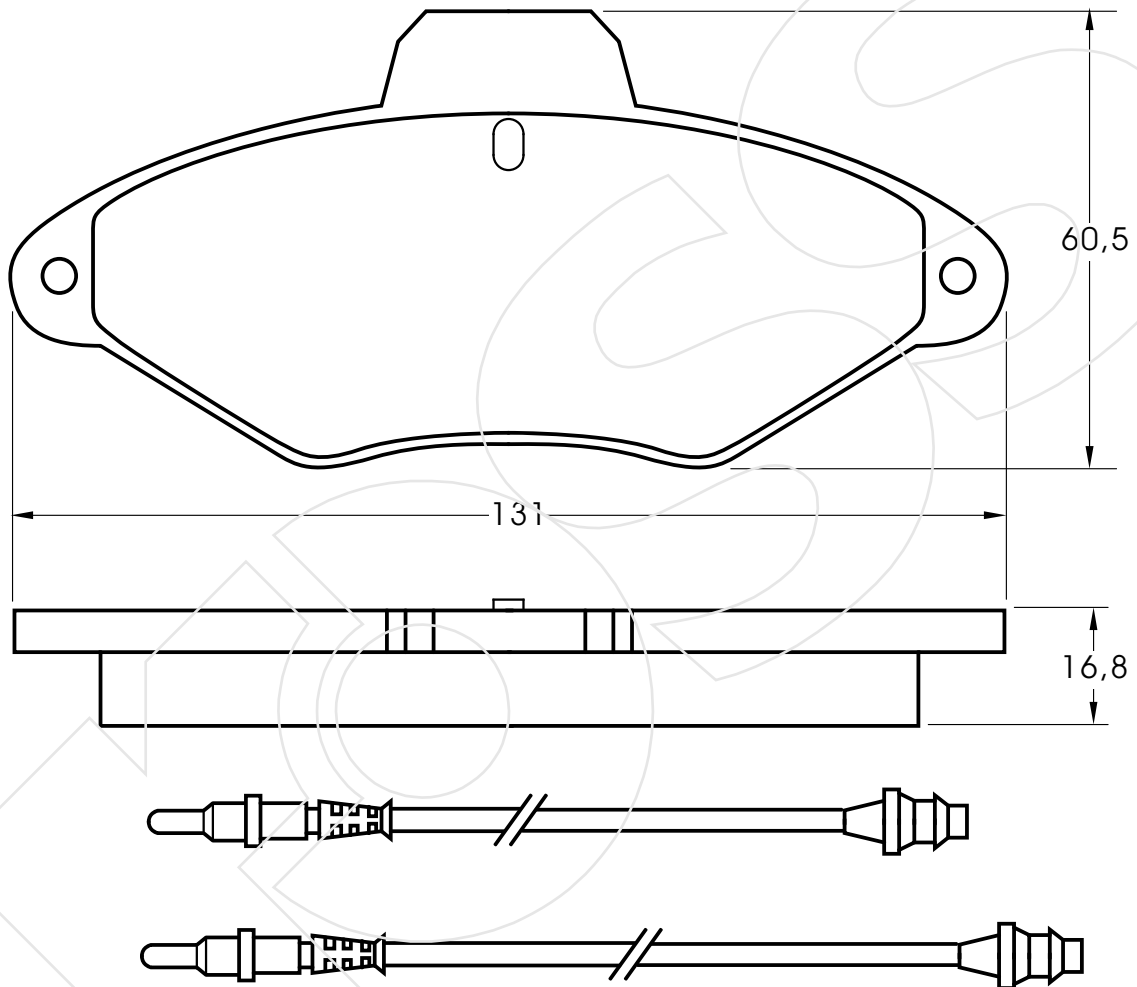
Reference in this Catalogue to other manufactures and to part numbers and other descriptions are for identification purposes only, because the above DISC BRAKE PADS are NOT ORIGINAL but with these interchangeable.

CODICE	IMPIANTO	ASSE	SCALA	APPLICAZIONI
<b>R-563</b>	AKEBONO	ANTERIORE	1:1	NISSAN-DATSUN
CODICE COMPONENTI	N°	L(mm)	SERIE	
*	*		4 PEZZI	
*	*	*		
*	*			
CODICE ACCESSORI	N°	L(mm)	NOTE	
			*	
*	*		*	
*	*		*	
*	*		*	



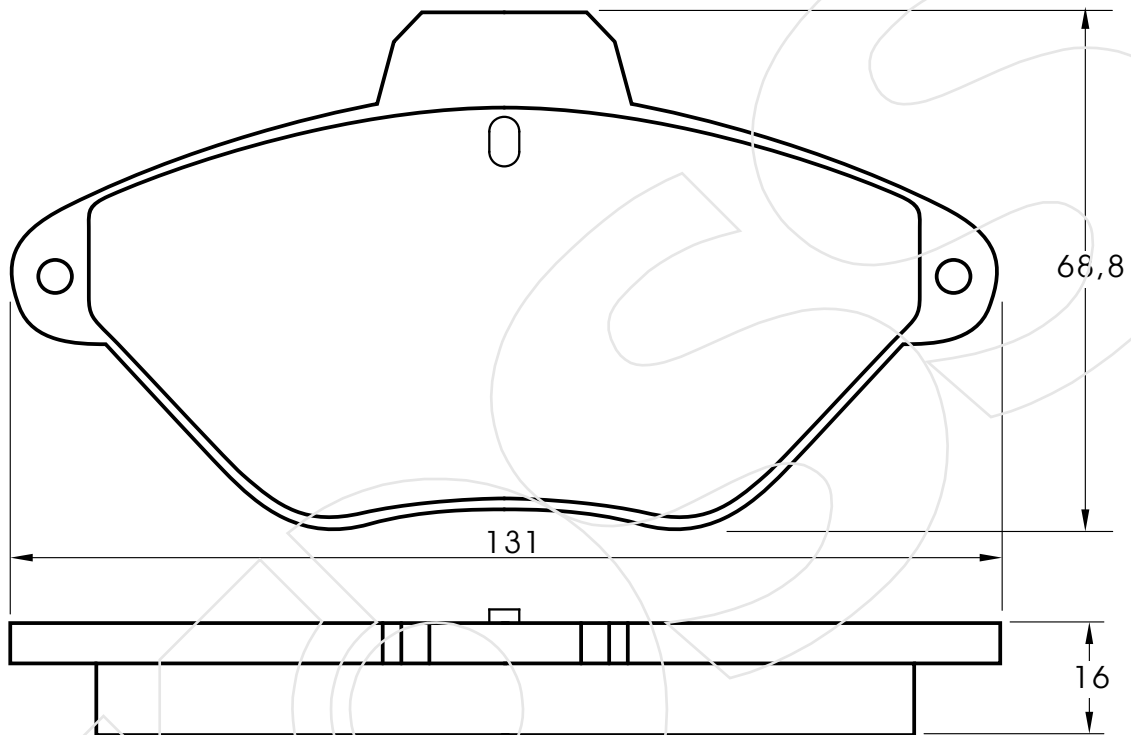
Reference in this Catalogue to other manufactures and to part numbers and other descriptions are for identification purposes only, because the above DISC BRAKE PADS are NOT ORIGINAL but with these interchangeable.

CODICE	IMPIANTO		ASSE	SCALA	APPLICAZIONI
<b>R-564</b>	BENDIX		ANTERIORE	1:1	CITROEN
CODICE COMPONENTI	N°	L(mm)	SERIE		
*	*		4 PEZZI		
F3053	2	200			
F3057	2	370			
CODICE ACCESSORI	N°	L(mm)	NOTE		
			*		
*	*		*		
*	*		*		
*	*		*		



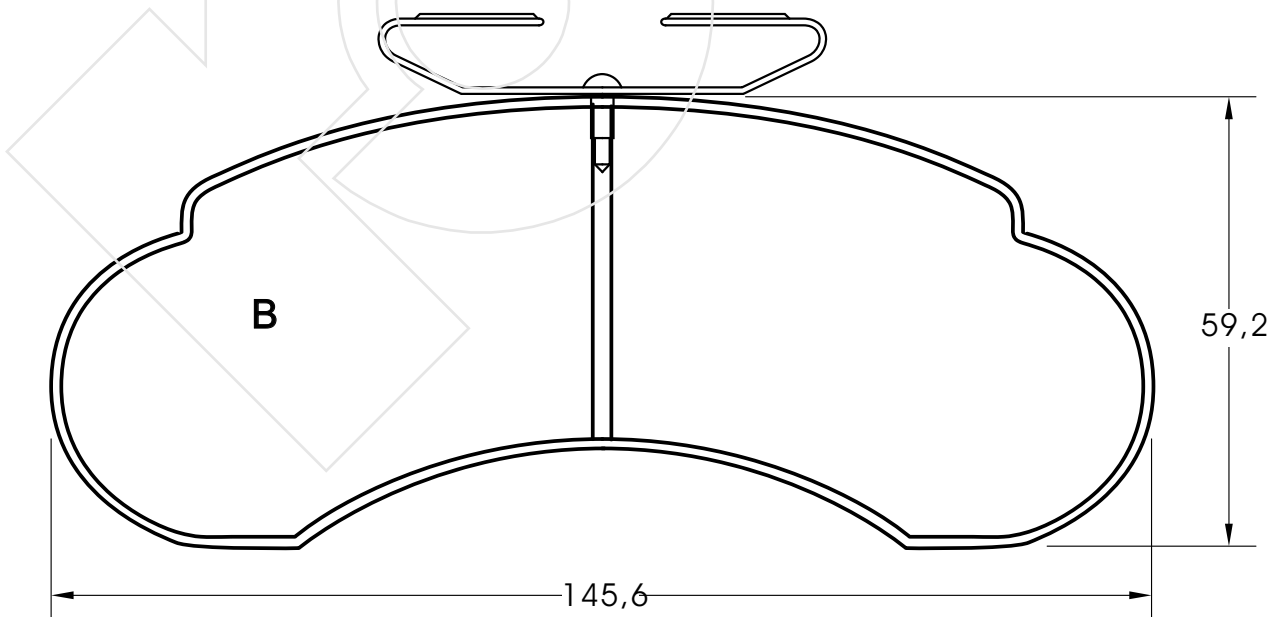
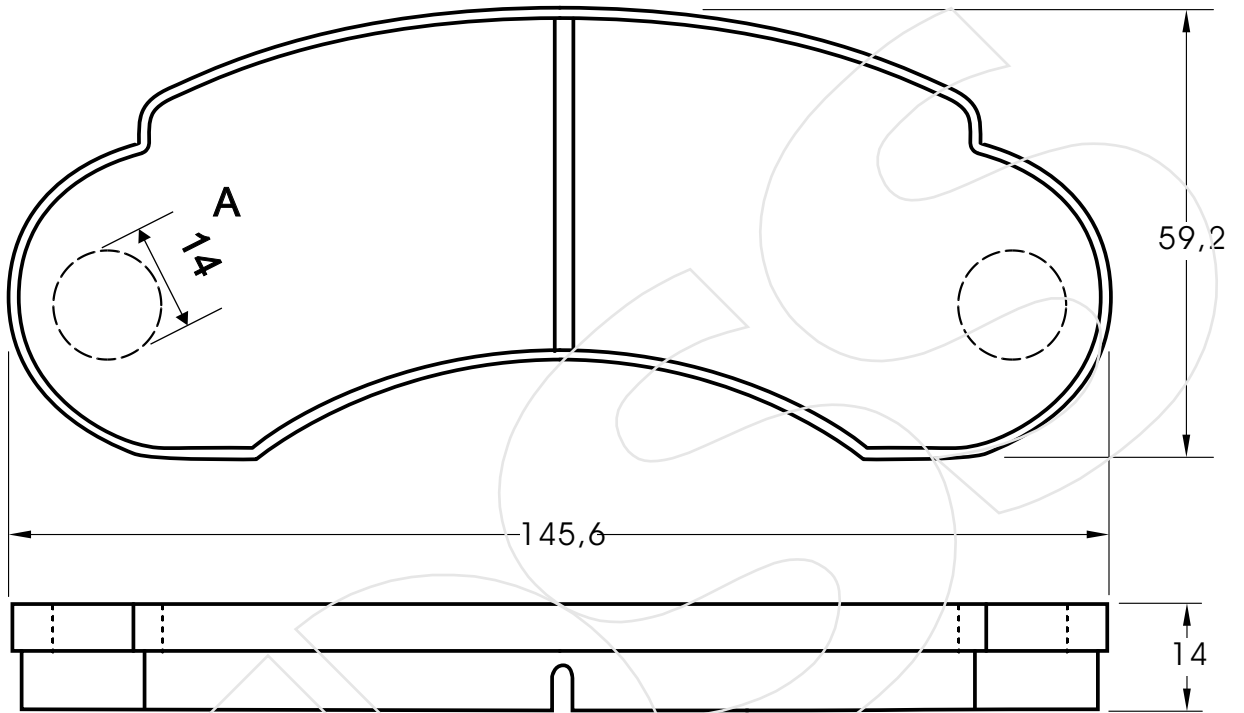
Reference in this Catalogue to other manufactures and to part numbers and other descriptions are for identification purposes only, because the above DISC BRAKE PADS are NOT ORIGINAL but with these interchangeable.

CODICE	IMPIANTO		ASSE	SCALA	APPLICAZIONI
<b>R-565</b>	BENDIX		ANTERIORE	1:1	CITROEN
CODICE COMPONENTI	N°	L(mm)	SERIE		
*	*		4 PEZZI		
F3053	2	200			
F3057	2	370			
CODICE ACCESSORI	N°	L(mm)	NOTE		
			*		
*	*		*		
*	*		*		
*	*		*		



Reference in this Catalogue to other manufactures and to part numbers and other descriptions are for identification purposes only, because the above DISC BRAKE PADS are NOT ORIGINAL but with these interchangeable.

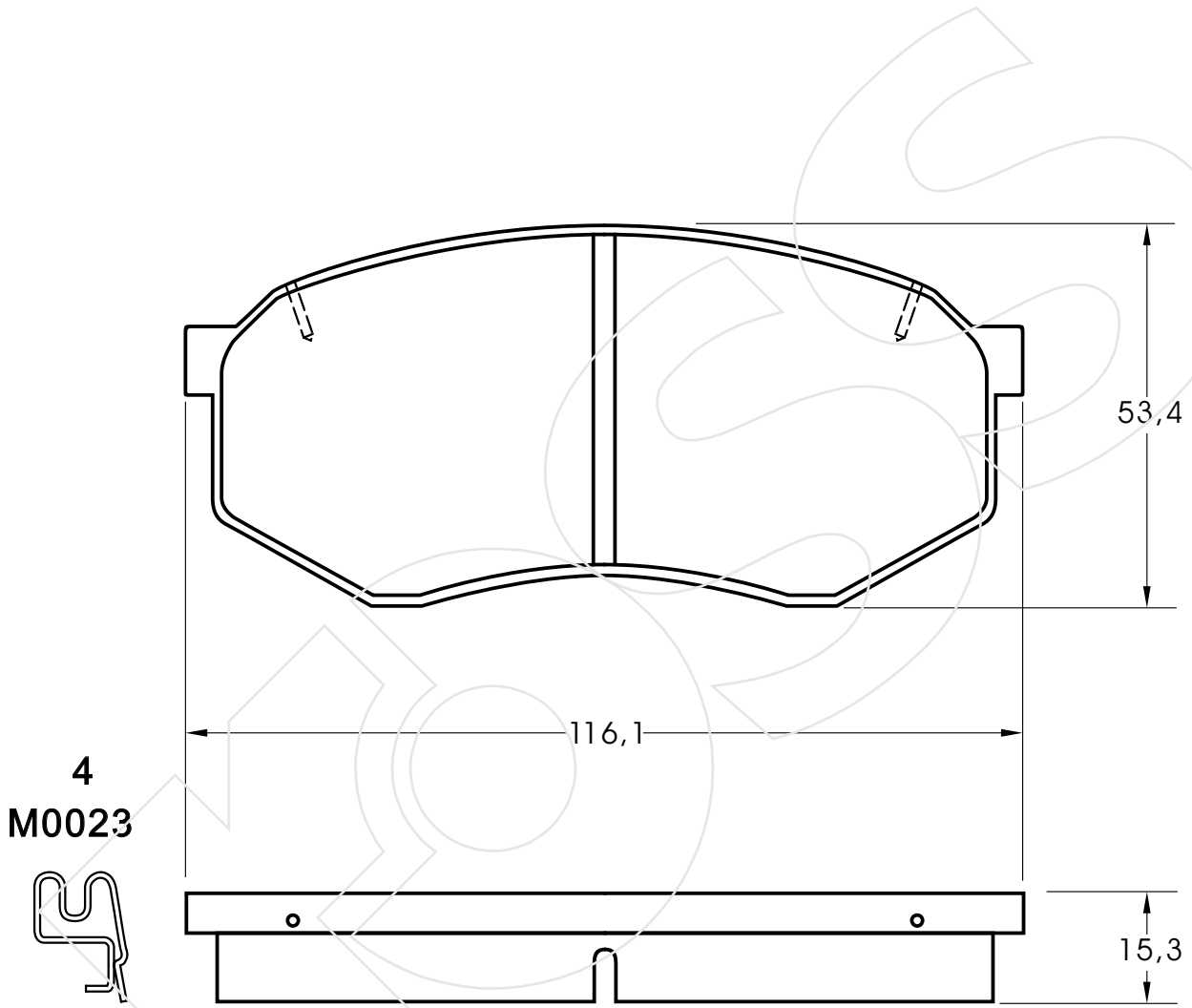
CODICE	IMPIANTO	ASSE	SCALA	APPLICAZIONI
<b>R-566</b>	BENDIX	ANTERIORE	1:1	MERCEDES
CODICE COMPONENTI	N°	L(mm)	SERIE	
*	*		2 PEZZI TIPO A	
M0085+P1008	2+2		2 PEZZI TIPO B	
*	*			
CODICE ACCESSORI	N°	L(mm)	NOTE	
			*	
*	*		*	
*	*		*	
*	*		*	



Reference in this Catalogue to other manufactures and to part numbers and other descriptions are for identification purposes only, because the above DISC BRAKE PADS are NOT ORIGINAL but with these interchangeable.

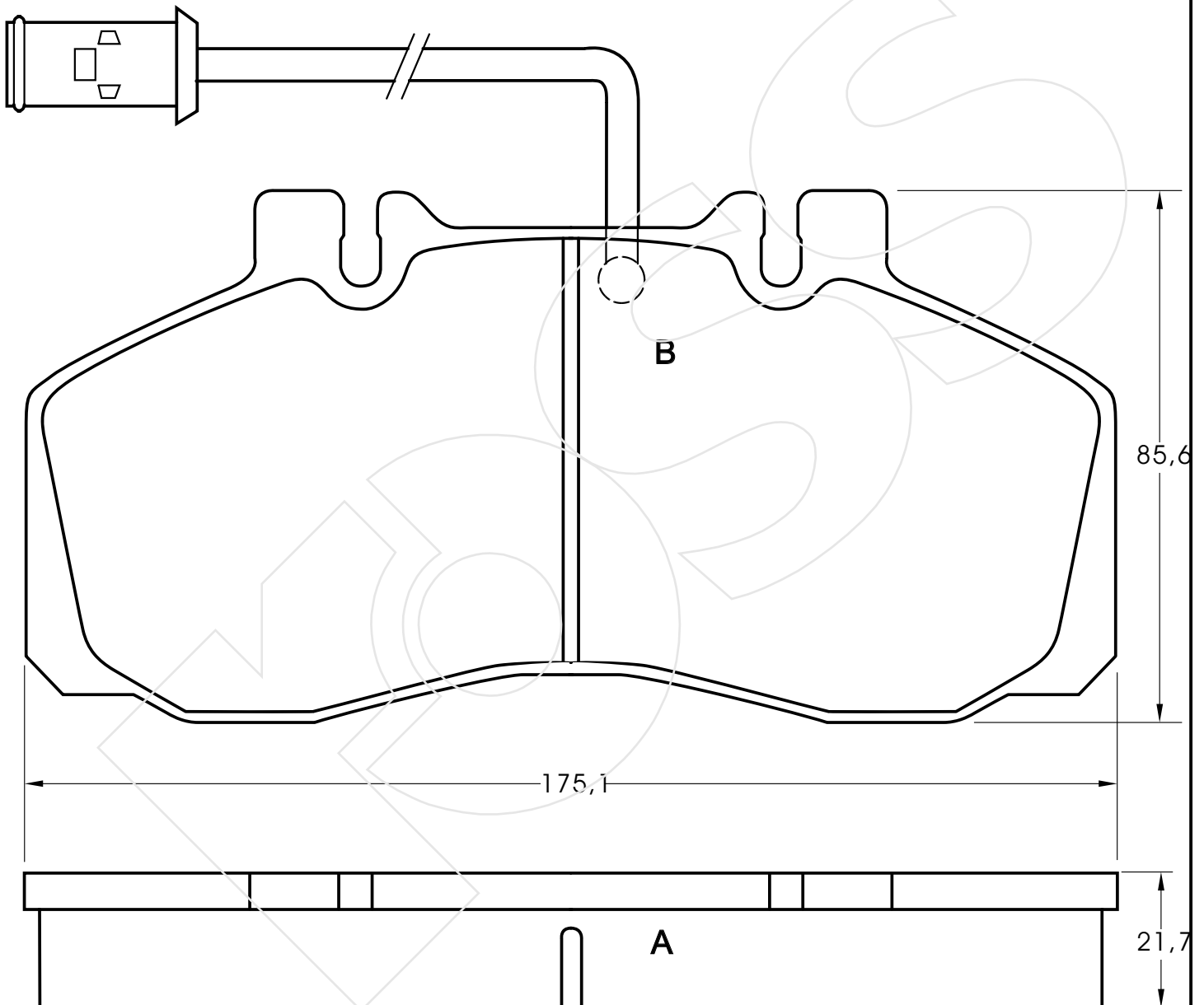


CODICE	IMPIANTO	ASSE	SCALA	APPLICAZIONI
<b>R-567</b>	SUMITOMO	ANTERIORE	1:1	TOYOTA
CODICE COMPONENTI	N°	L(mm)	SERIE	
*	*		4 PEZZI	
*	*	*		
*	*			
CODICE ACCESSORI	N°	L(mm)	NOTE	
			*	
M0023	4		*	
*	*		*	
*	*		*	



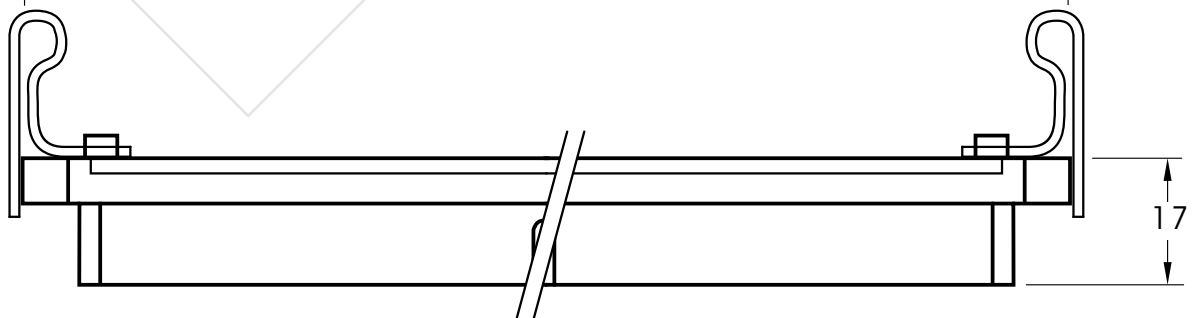
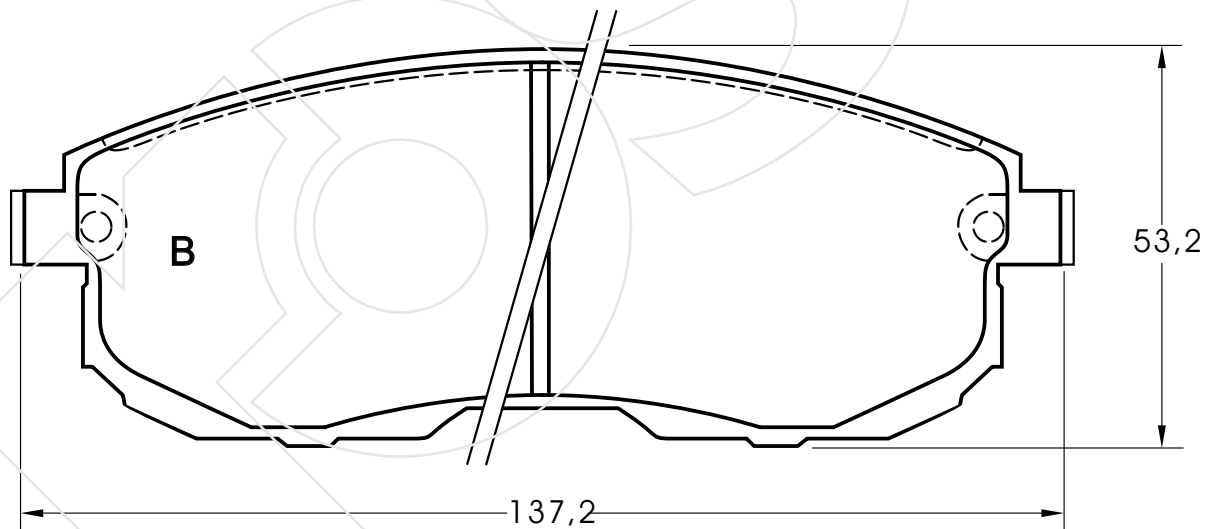
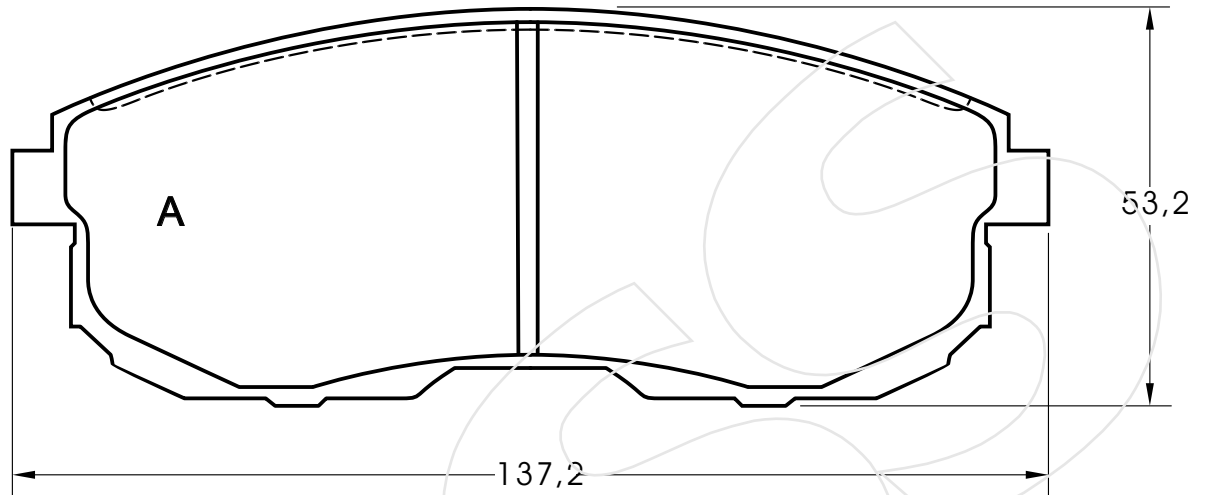
Reference in this Catalogue to other manufactures and to part numbers and other descriptions are for identification purposes only, because the above DISC BRAKE PADS are NOT ORIGINAL but with these interchangeable.

CODICE	IMPIANTO		ASSE	SCALA	APPLICAZIONI
<b>R-568</b>	PERROT		ANTERIORE	1:1	FIAT
CODICE COMPONENTI	N°	L(mm)	SERIE		
*	*		2 PEZZI SENZA SEGNALATORE		
F3039	2	510	2 PEZZI CON SEGNALATORE		
*	*				
CODICE ACCESSORI	N°	L(mm)	NOTE		
			*		
*	*		*		
*	*		*		
*	*		*		



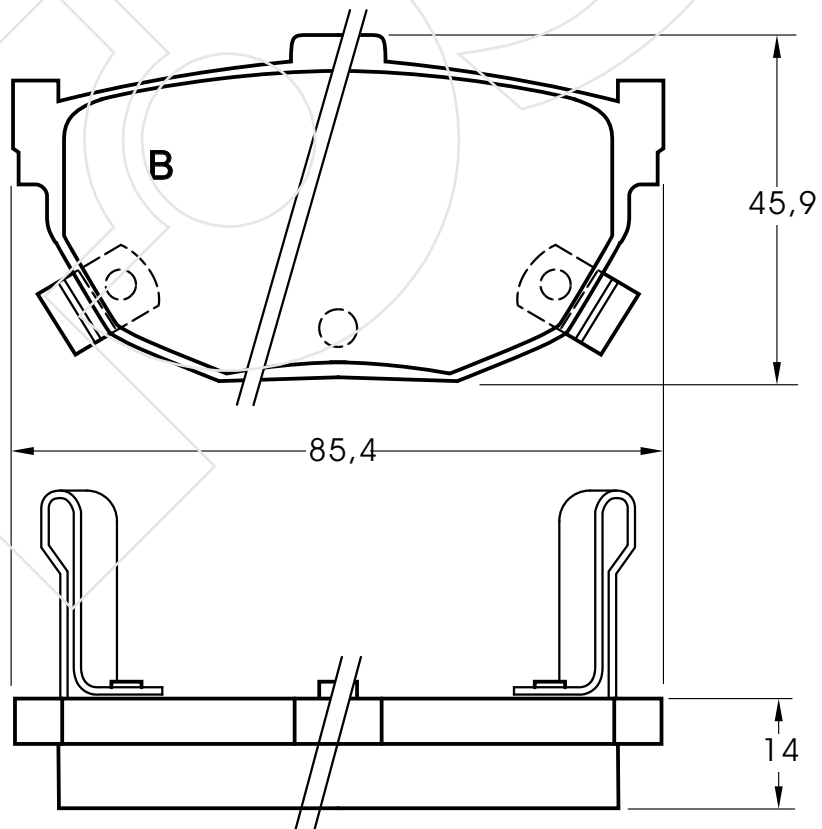
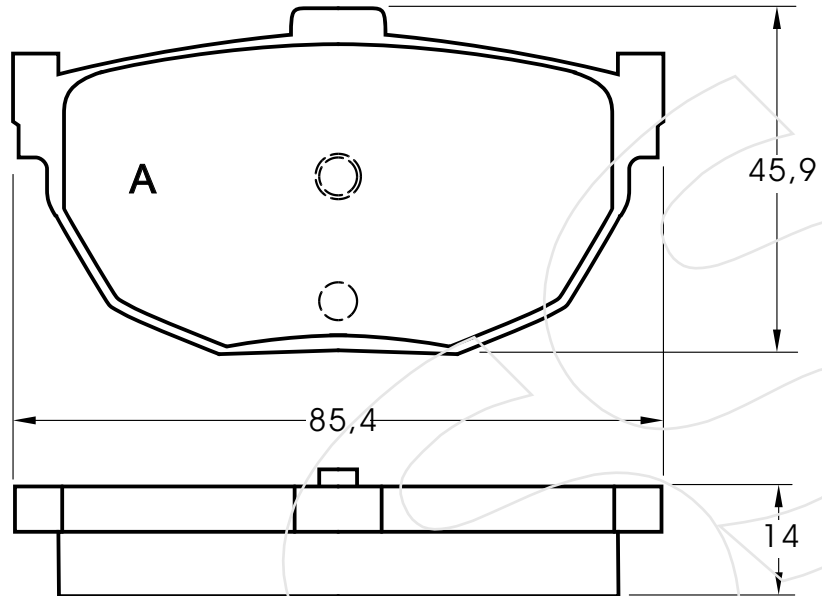
Reference in this Catalogue to other manufactures and to part numbers and other descriptions are for identification purposes only, because the above DISC BRAKE PADS are NOT ORIGINAL but with these interchangeable.

CODICE	IMPIANTO		ASSE	SCALA	APPLICAZIONI
<b>R-569</b>	SUMITOMO		ANTERIORE	1:1	NISSAN-DATSUN
CODICE COMPONENTI	N°	L(mm)	SERIE		
*	*		2 PEZZI TIPO A		
M0074	2	*	2 PEZZI TIPO B		
*	*				
CODICE ACCESSORI	N°	L(mm)	NOTE		
			*		
*	*		*		
*	*		*		
*	*		*		



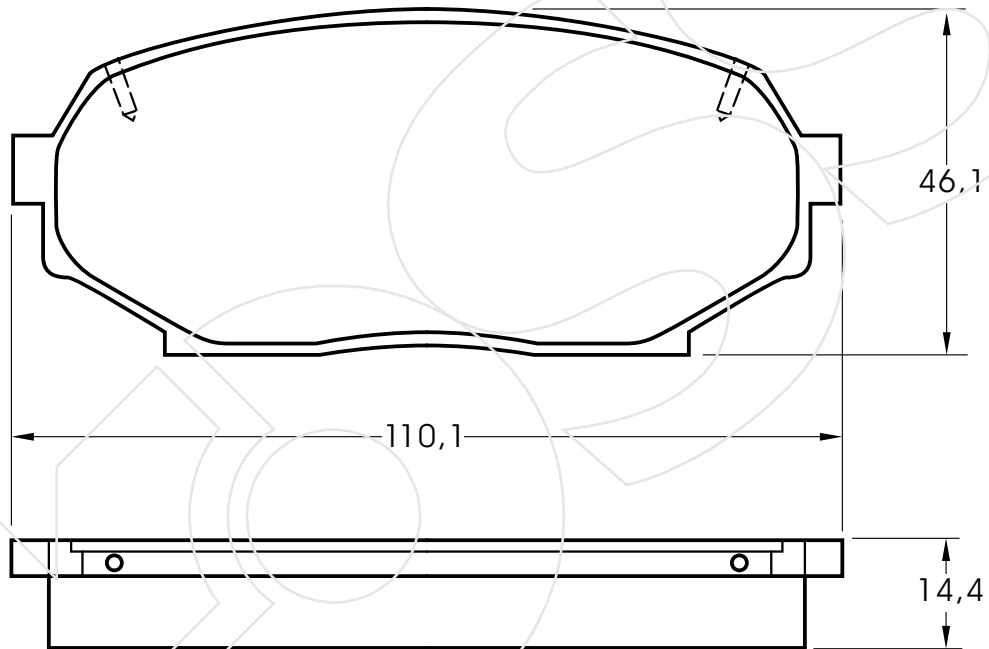
Reference in this Catalogue to other manufactures and to part numbers and other descriptions are for identification purposes only, because the above DISC BRAKE PADS are NOT ORIGINAL but with these interchangeable.

CODICE	IMPIANTO		ASSE	SCALA	APPLICAZIONI
<b>R-570</b>	SUMITOMO		POSTERIORE	1:1	NISSAN-DATSUN
CODICE COMPONENTI	N°	L(mm)	SERIE		
*	*		2 PEZZI TIPO A		
M0036	2	*	2 PEZZI TIPO B		
*	*				
CODICE ACCESSORI	N°	L(mm)	NOTE		
			*		
*	*		*		
*	*		*		
*	*		*		



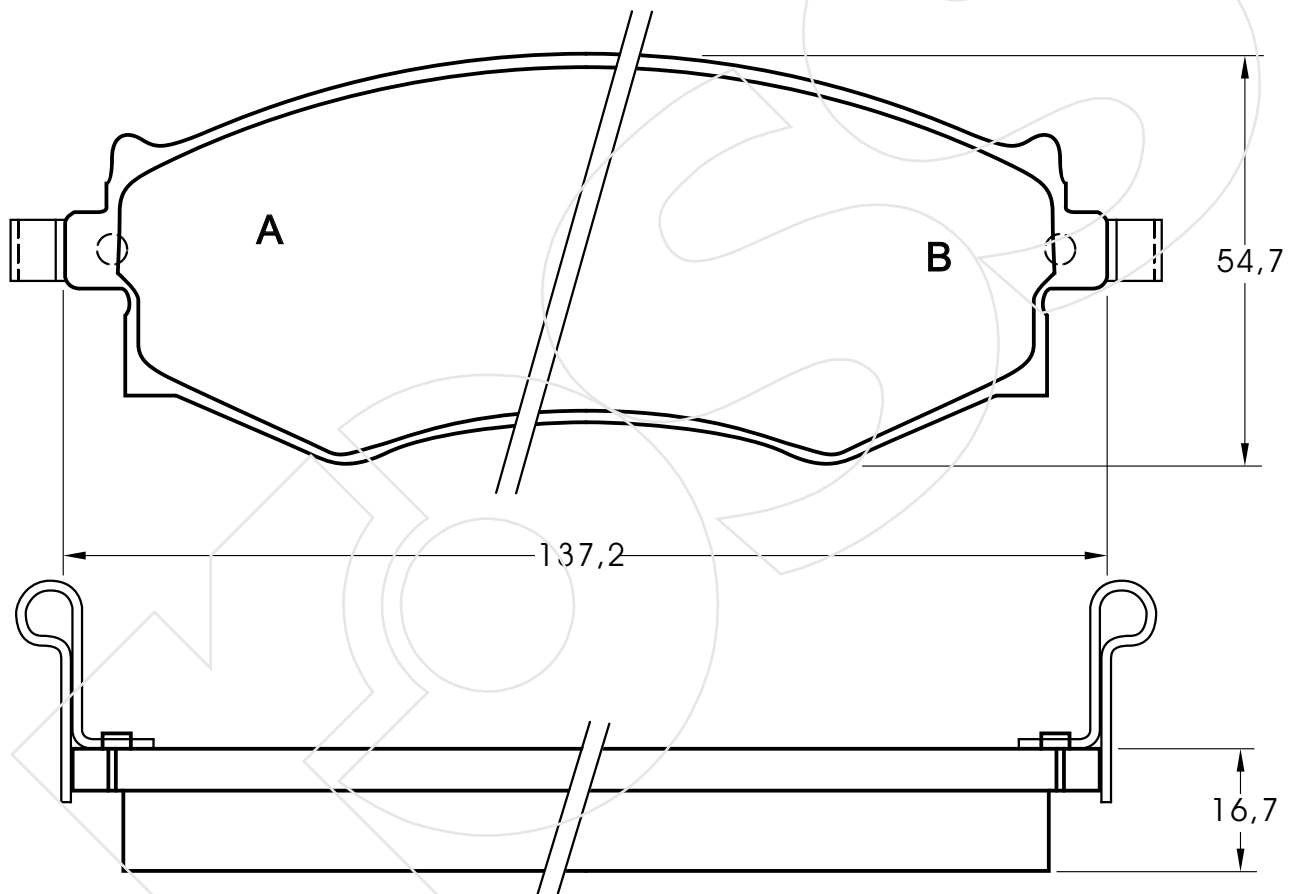
Reference in this Catalogue to other manufactures and to part numbers and other descriptions are for identification purposes only, because the above DISC BRAKE PADS are NOT ORIGINAL but with these interchangeable.

CODICE	IMPIANTO	ASSE	SCALA	APPLICAZIONI
<b>R-571</b>	SUMITOMO	ANTERIORE	1:1	MAZDA
CODICE COMPONENTI	N°	L(mm)	SERIE	
*	*		4 PEZZI	
*	*	*		
*	*			
CODICE ACCESSORI	N°	L(mm)	NOTE	
			*	
*	*		*	
*	*		*	
*	*		*	



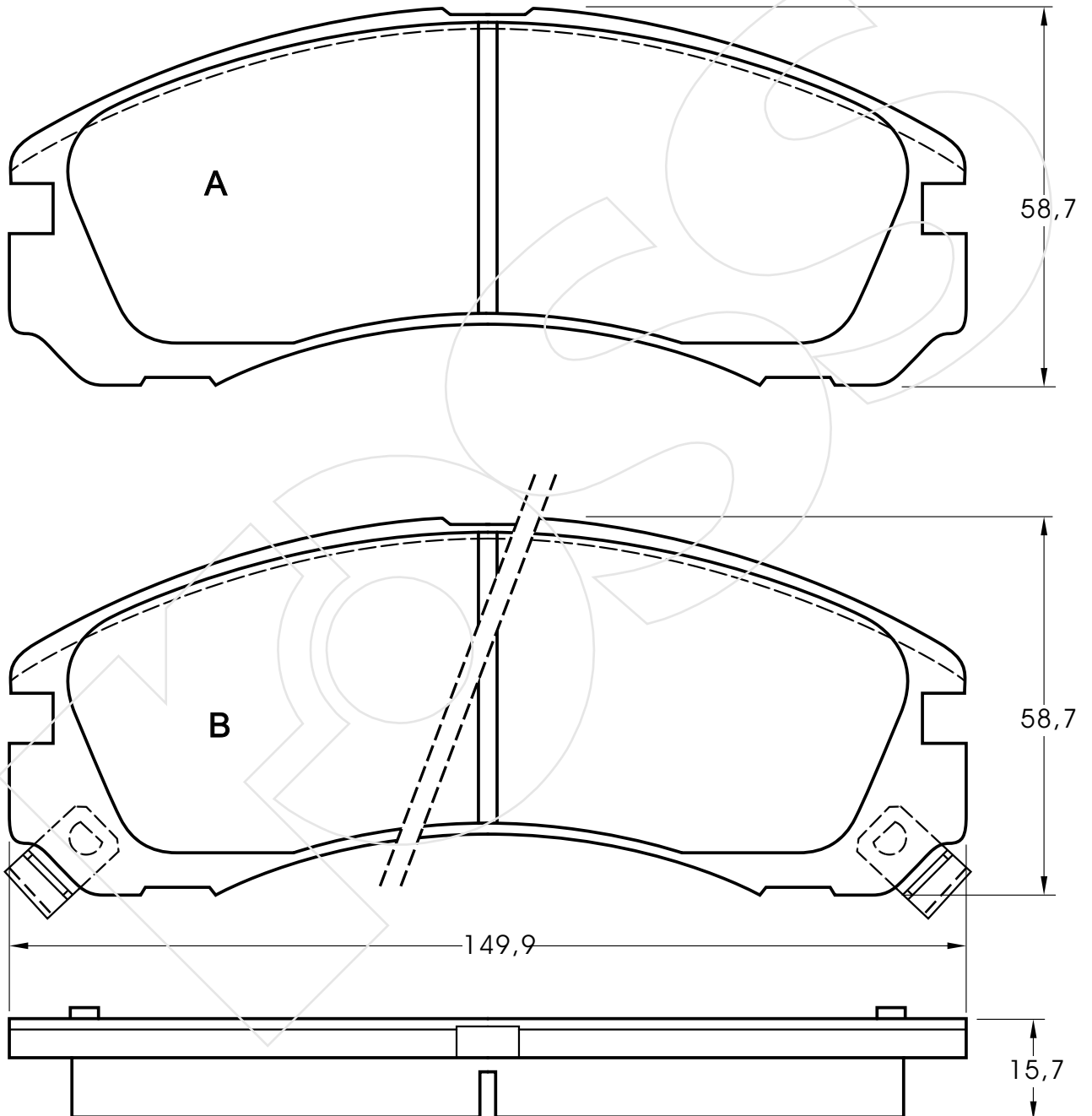
Reference in this Catalogue to other manufactures and to part numbers and other descriptions are for identification purposes only, because the above DISC BRAKE PADS are NOT ORIGINAL but with these interchangeable.

CODICE	IMPIANTO	ASSE	SCALA	APPLICAZIONI
<b>R-572</b>	SUMITOMO	ANTERIORE	1:1	NISSAN-DATSUN
CODICE COMPONENTI	N°	L(mm)	SERIE	
M0074	2		2 PEZZI TIPO A	
M0074	2	*	2 PEZZI TIPO B	
*	*			
CODICE ACCESSORI	N°	L(mm)	NOTE	
			*	
*	*		*	
*	*		*	
*	*		*	



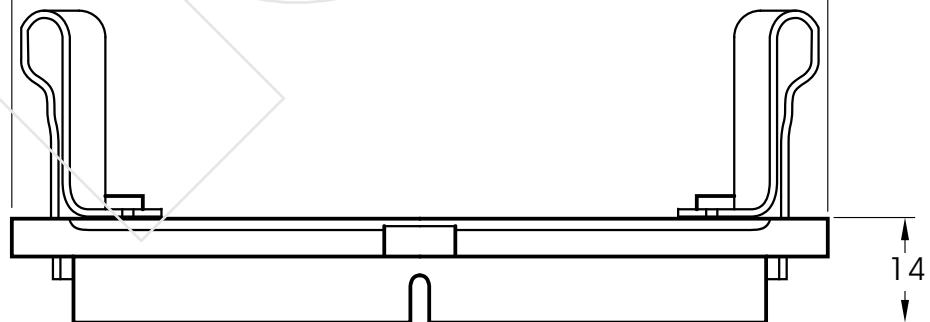
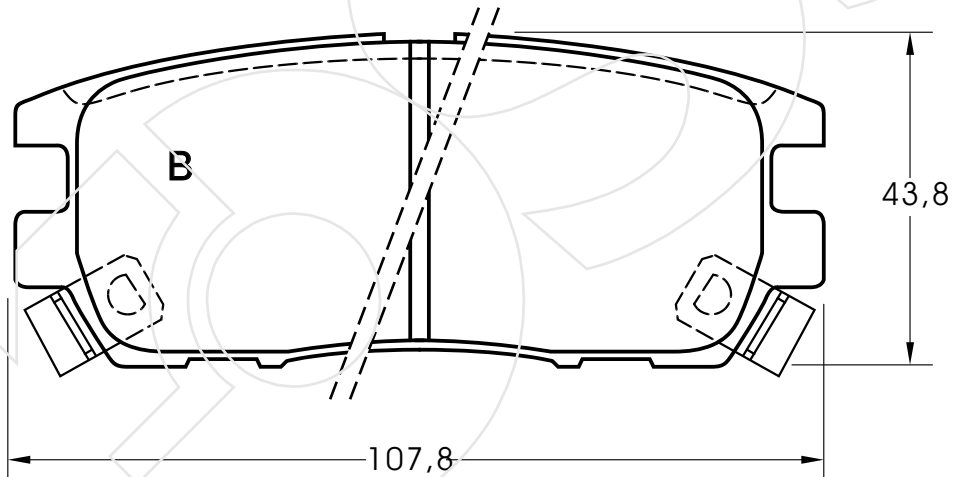
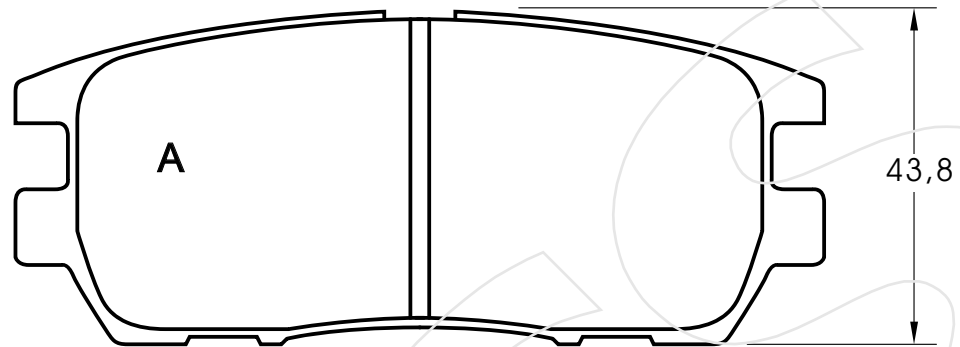
Reference in this Catalogue to other manufactures and to part numbers and other descriptions are for identification purposes only, because the above DISC BRAKE PADS are NOT ORIGINAL but with these interchangeable.

CODICE	IMPIANTO		ASSE	SCALA	APPLICAZIONI
<b>R-573</b>	AKEBONO		ANTERIORE	1:1	MITSUBISHI
CODICE COMPONENTI	N°	L(mm)	SERIE		
*	*		2 PEZZI TIPO A		
M0051	2	*	2 PEZZI TIPO B		
*	*				
CODICE ACCESSORI	N°	L(mm)	NOTE		
			*		
*	*		*		
*	*		*		
*	*		*		



Reference in this Catalogue to other manufactures and to part numbers and other descriptions are for identification purposes only, because the above DISC BRAKE PADS are NOT ORIGINAL but with these interchangeable.

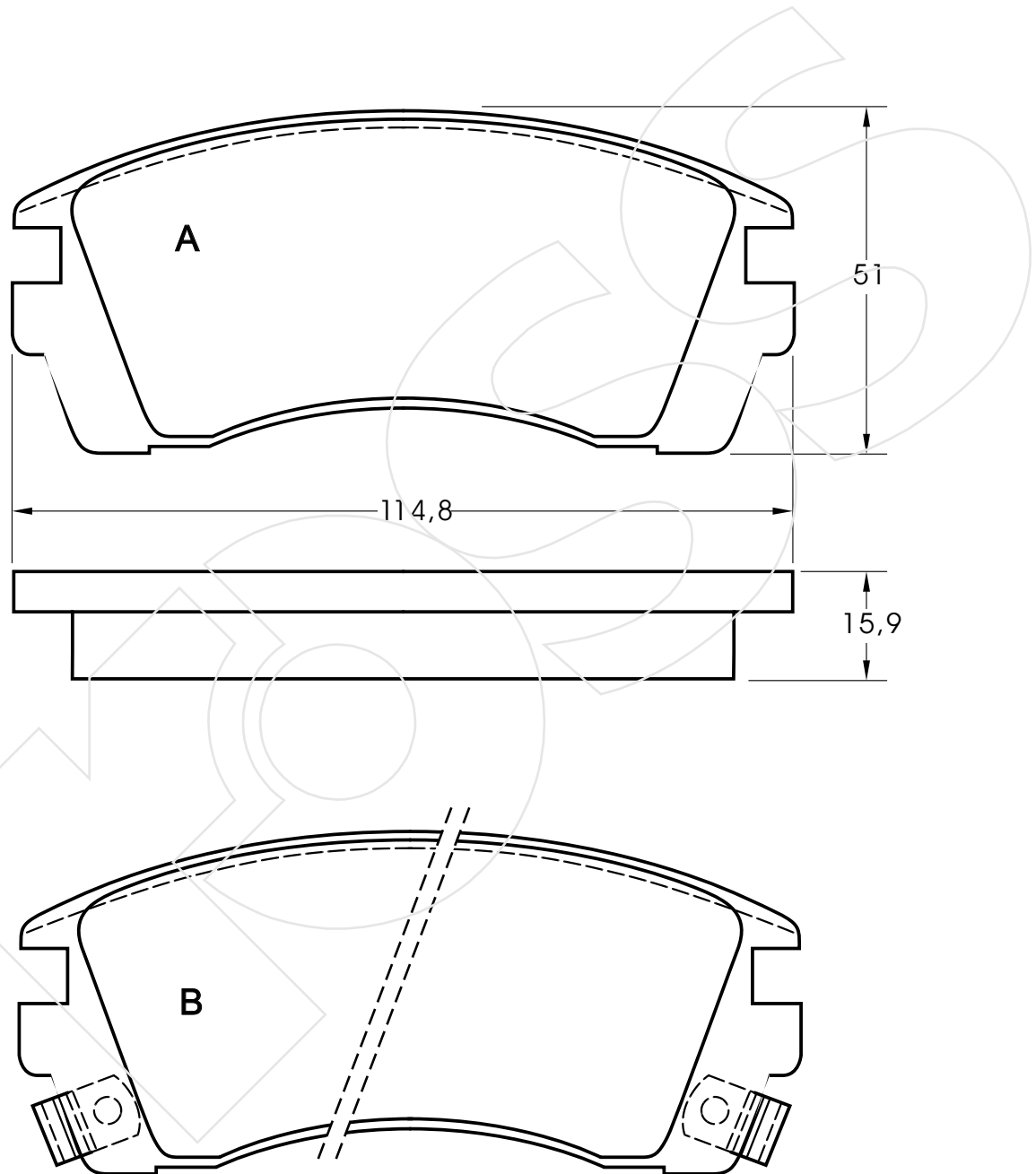
CODICE	IMPIANTO		ASSE	SCALA	APPLICAZIONI
<b>R-574</b>	AKEBONO		POSTERIORE	1:1	MITSUBISHI
CODICE COMPONENTI	N°	L(mm)	SERIE		
*	*		2 PEZZI TIPO A		
M0051	2	*	2 PEZZI TIPO B		
*	*				
CODICE ACCESSORI	N°	L(mm)	NOTE		
			*		
*	*		*		
*	*		*		
*	*		*		



Reference in this Catalogue to other manufactures and to part numbers and other descriptions are for identification purposes only, because the above DISC BRAKE PADS are NOT ORIGINAL but with these interchangeable.

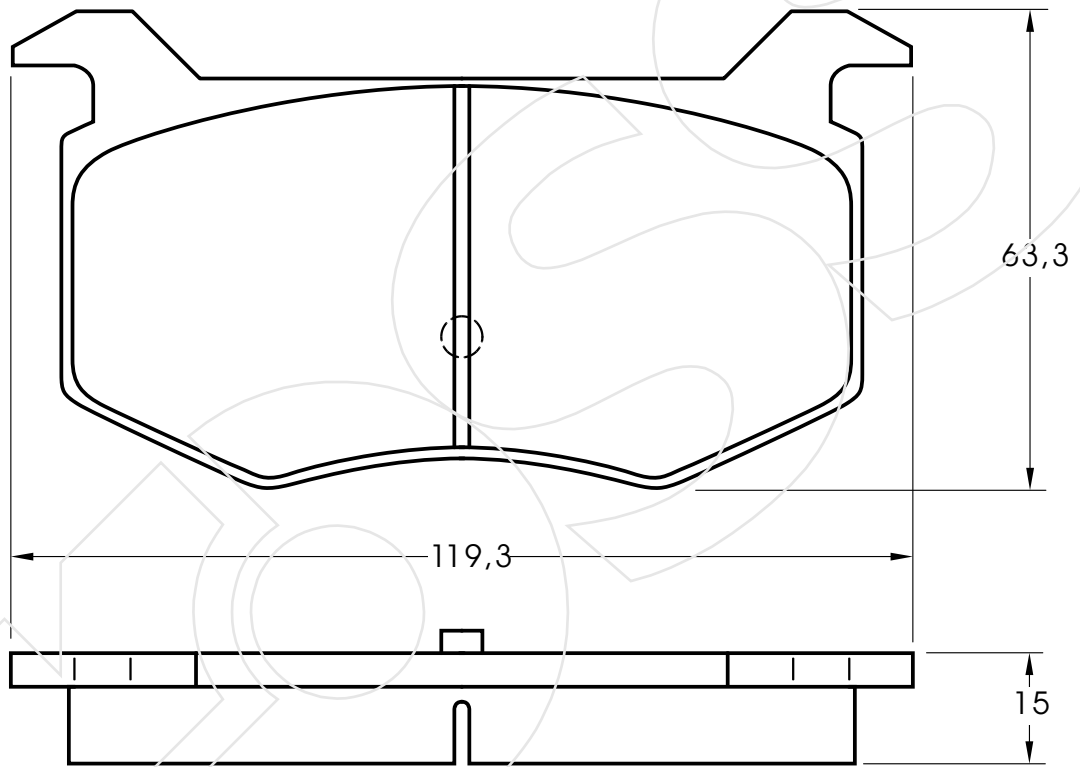


CODICE	IMPIANTO		ASSE	SCALA	APPLICAZIONI
<b>R-575</b>	AKEBONO		ANTERIORE	1:1	NISSAN-DATSUN
CODICE COMPONENTI	N°	L(mm)	SERIE		
*	*		2 PEZZI TIPO A		
M0036	2	*	2 PEZZI TIPO B		
*	*				
CODICE ACCESSORI	N°	L(mm)	NOTE		
			*		
*	*		*		
*	*		*		
*	*		*		



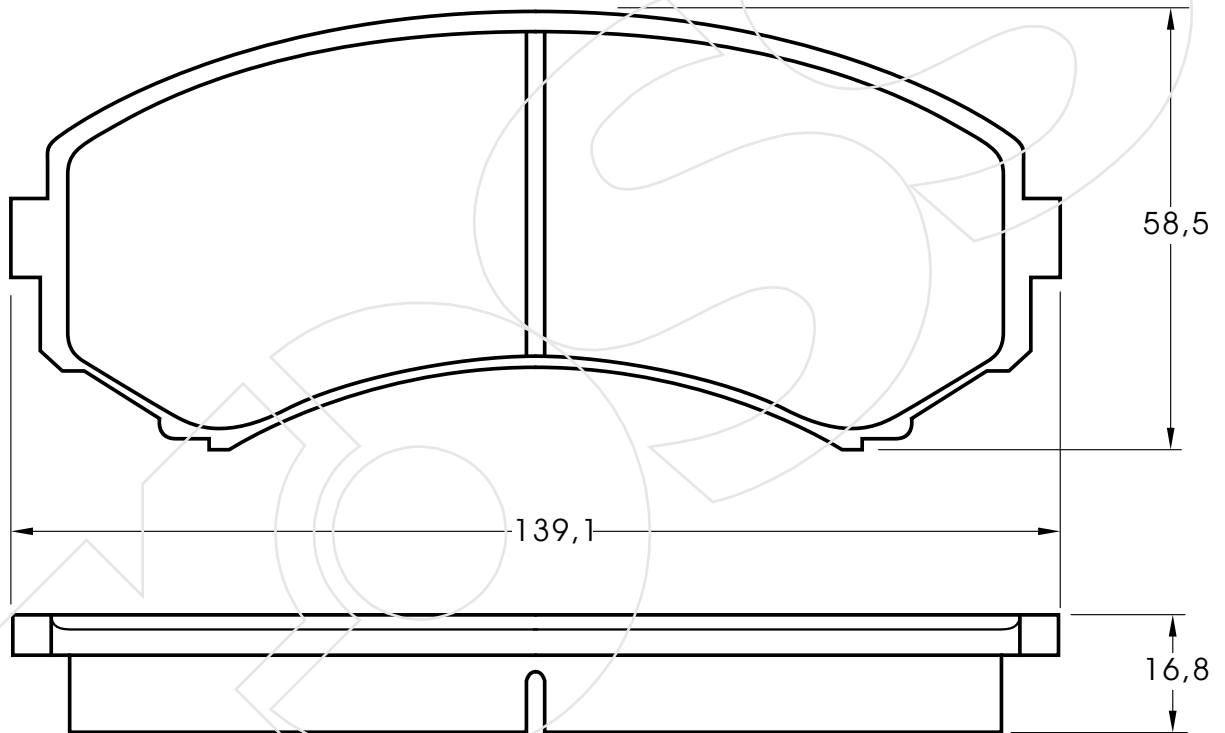
Reference in this Catalogue to other manufactures and to part numbers and other descriptions are for identification purposes only, because the above DISC BRAKE PADS are NOT ORIGINAL but with these interchangeable.

CODICE	IMPIANTO	ASSE	SCALA	APPLICAZIONI
<b>R-576</b>	SKODA	ANTERIORE	1:1	LADA
CODICE COMPONENTI	N°	L(mm)	SERIE	
*	*		4 PEZZI	
*	*	*		
*	*			
CODICE ACCESSORI	N°	L(mm)	NOTE	
			*	
*	*		*	
*	*		*	
*	*		*	



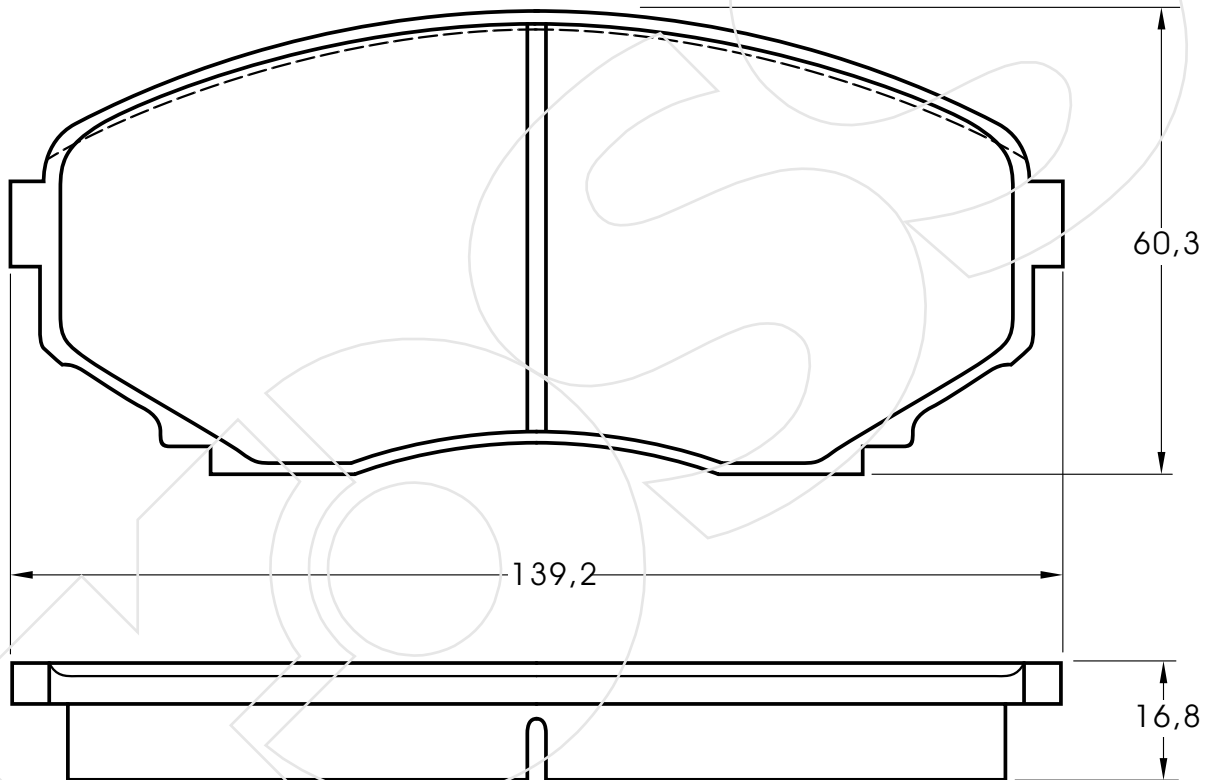
Reference in this Catalogue to other manufactures and to part numbers and other descriptions are for identification purposes only, because the above DISC BRAKE PADS are NOT ORIGINAL but with these interchangeable.

CODICE	IMPIANTO		ASSE	SCALA	APPLICAZIONI
<b>R-577</b>	SUMITOMO		ANTERIORE	1:1	MAZDA
CODICE COMPONENTI	N°	L(mm)	SERIE		
*	*		4 PEZZI		
*	*	*			
*	*				
CODICE ACCESSORI	N°	L(mm)	NOTE		
			*		
*	*		*		
*	*		*		
*	*		*		



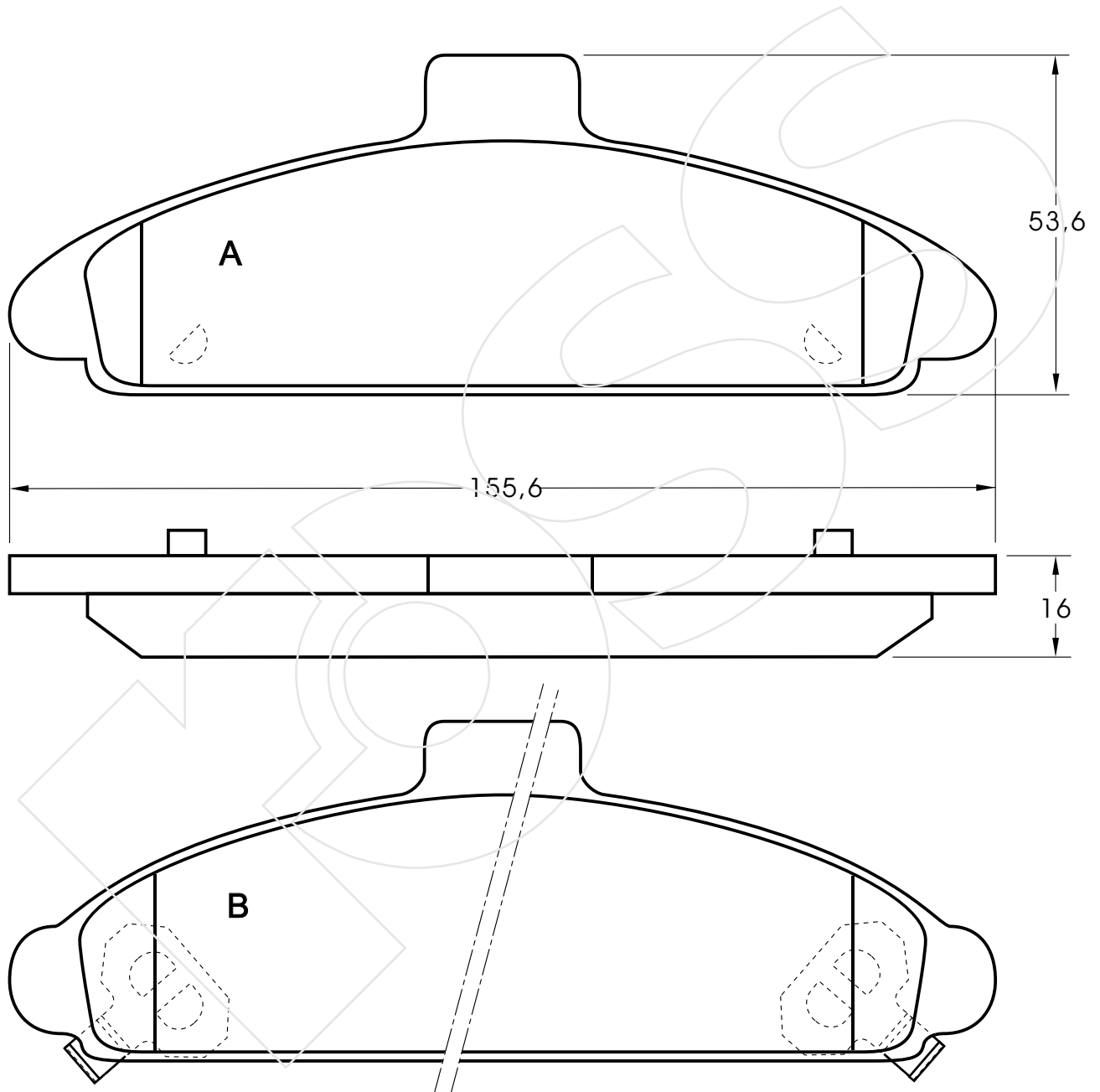
Reference in this Catalogue to other manufactures and to part numbers and other descriptions are for identification purposes only, because the above DISC BRAKE PADS are NOT ORIGINAL but with these interchangeable.

CODICE	IMPIANTO		ASSE	SCALA	APPLICAZIONI
<b>R-578</b>	SUMITOMO		ANTERIORE	1:1	MAZDA
CODICE COMPONENTI	N°	L(mm)	SERIE		
*	*		4 PEZZI		
*	*	*			
*	*				
CODICE ACCESSORI	N°	L(mm)	NOTE		
			*		
*	*		*		
*	*		*		
*	*		*		



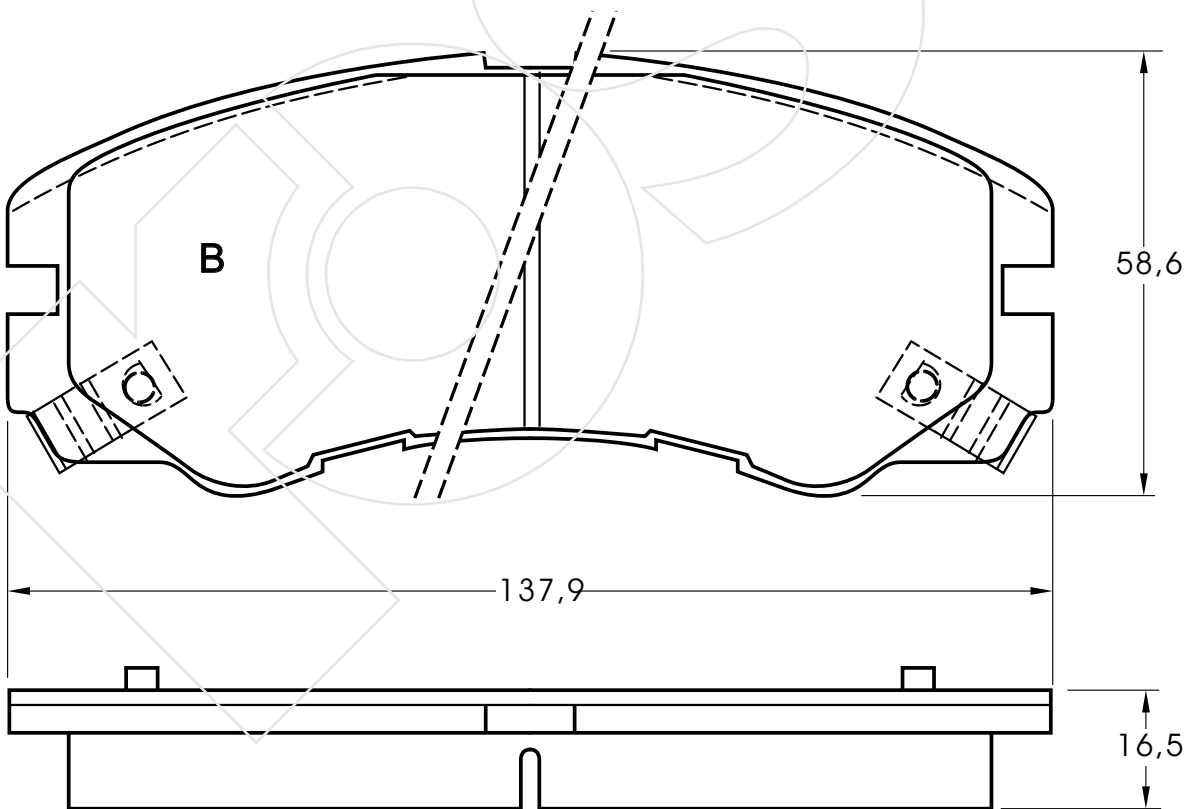
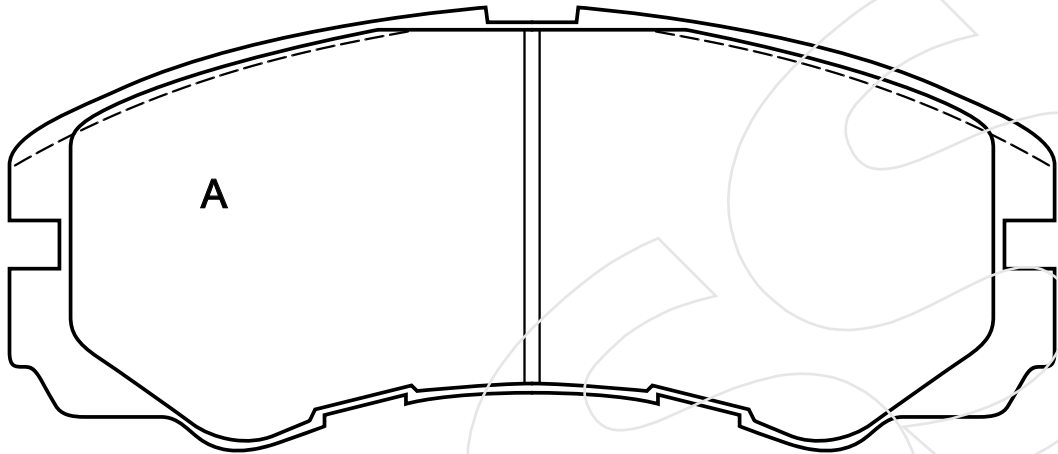
Reference in this Catalogue to other manufactures and to part numbers and other descriptions are for identification purposes only, because the above DISC BRAKE PADS are NOT ORIGINAL but with these interchangeable.

CODICE	IMPIANTO	ASSE	SCALA	APPLICAZIONI
<b>R-579</b>	AKEBONO	ANTERIORE	1:1	HYUNDAI
CODICE COMPONENTI	N°	L(mm)	SERIE	
*	*		2 PEZZI TIPO A	
M0102	2	*	2 PEZZI TIPO B	
*	*			
CODICE ACCESSORI	N°	L(mm)	NOTE	
			*	
*	*		*	
*	*		*	
*	*		*	



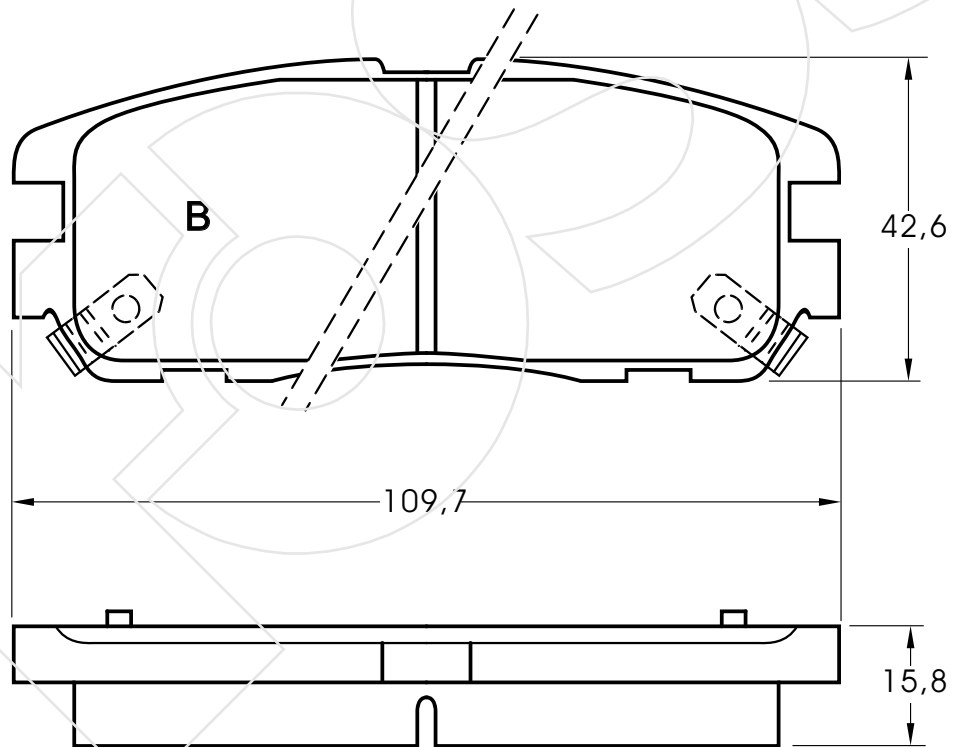
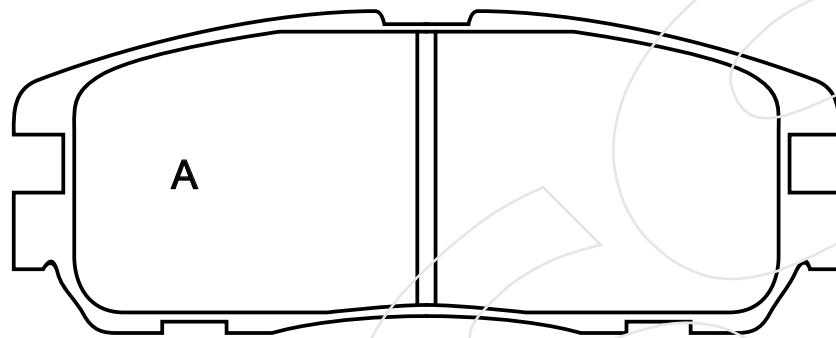
Reference in this Catalogue to other manufactures and to part numbers and other descriptions are for identification purposes only, because the above DISC BRAKE PADS are NOT ORIGINAL but with these interchangeable.

CODICE	IMPIANTO		ASSE	SCALA	APPLICAZIONI
<b>R-580</b>	SUMITOMO		ANTERIORE	1:1	ISUZU OPEL
CODICE COMPONENTI	N°	L(mm)	SERIE		
*	*		2 PEZZI TIPO A		
M0103	2	*	2 PEZZI TIPO B		
*	*				
CODICE ACCESSORI	N°	L(mm)	NOTE		
			*		
*	*		*		
*	*		*		
*	*		*		



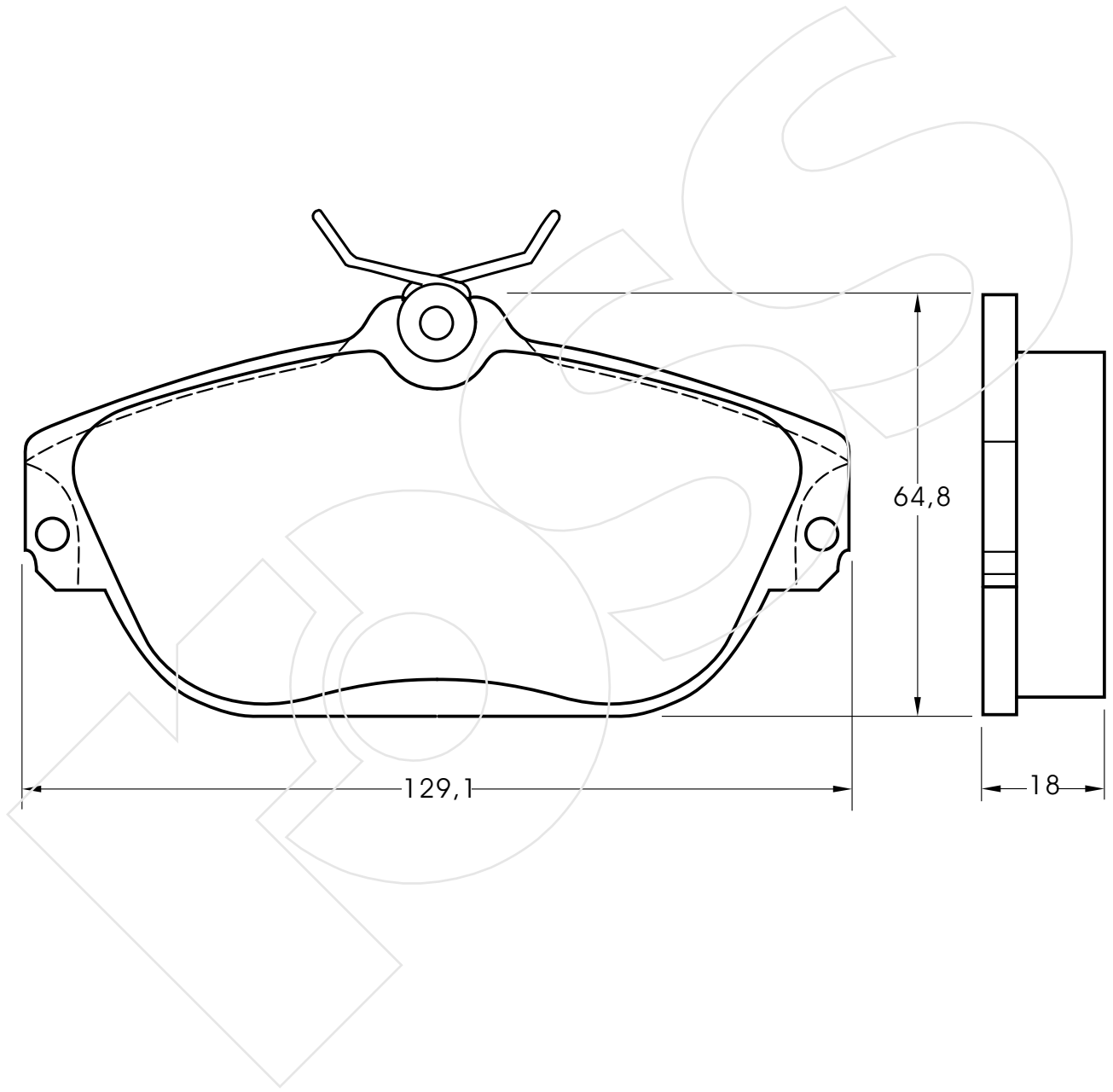
Reference in this Catalogue to other manufactures and to part numbers and other descriptions are for identification purposes only, because the above DISC BRAKE PADS are NOT ORIGINAL but with these interchangeable.

CODICE	IMPIANTO		ASSE	SCALA	APPLICAZIONI
<b>R-581</b>	SUMITOMO		POSTERIORE	1:1	ISUZU OPEL
CODICE COMPONENTI	N°	L(mm)	SERIE		
*	*		2 PEZZI TIPO A		
M0069	2	*	2 PEZZI TIPO B		
*	*				
CODICE ACCESSORI	N°	L(mm)	NOTE		
			*		
*	*		*		
*	*		*		
*	*		*		



Reference in this Catalogue to other manufactures and to part numbers and other descriptions are for identification purposes only, because the above DISC BRAKE PADS are NOT ORIGINAL but with these interchangeable.

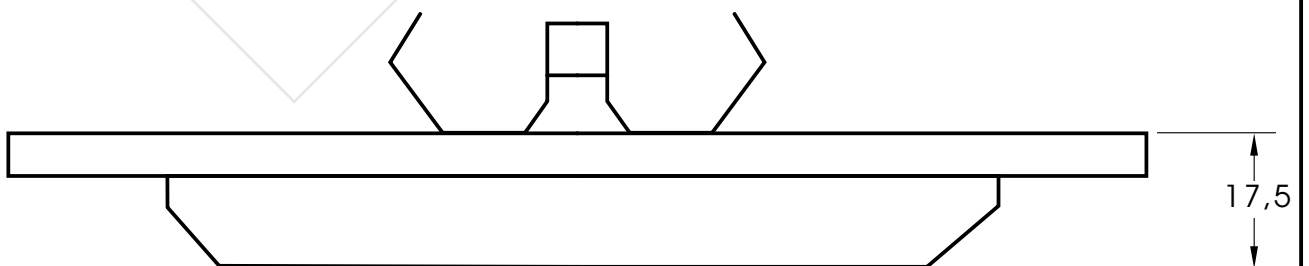
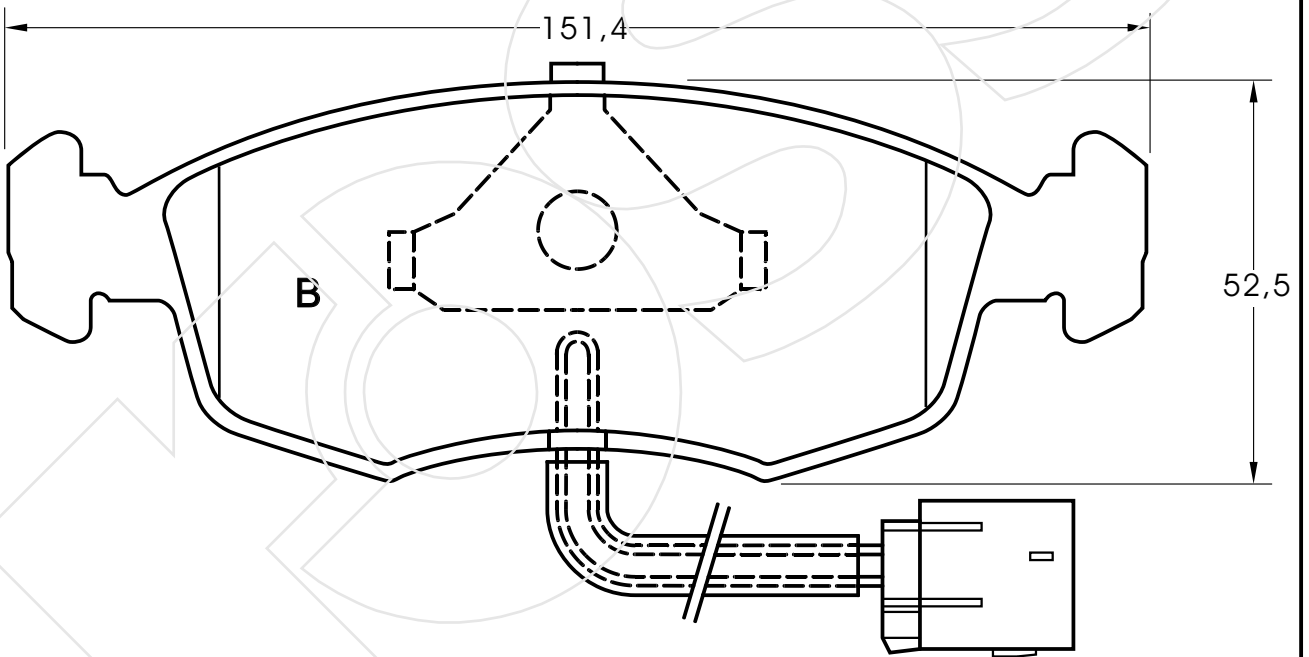
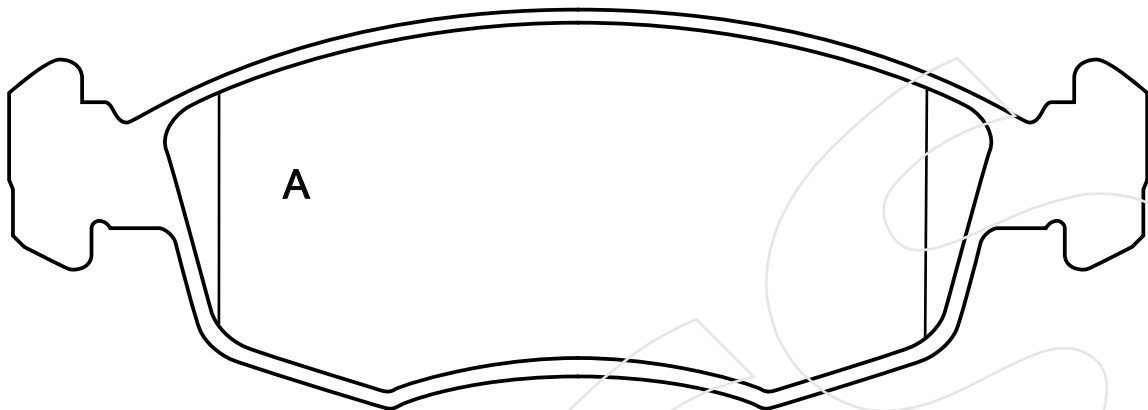
CODICE	IMPIANTO	ASSE	SCALA	APPLICAZIONI
<b>R-582</b>	GIRLING	ANTERIORE	1:1	VOLVO
CODICE COMPONENTI	N°	L(mm)	SERIE	
M0015+P1004+P1008	4+4+8	*	4 PEZZI	
*	*	*		
*	*	*		
CODICE ACCESSORI	N°	L(mm)	NOTE	
			*	
*	*	*	*	
*	*	*	*	
*	*	*	*	



Reference in this Catalogue to other manufactures and to part numbers and other descriptions are for identification purposes only, because the above DISC BRAKE PADS are NOT ORIGINAL but with these interchangeable.

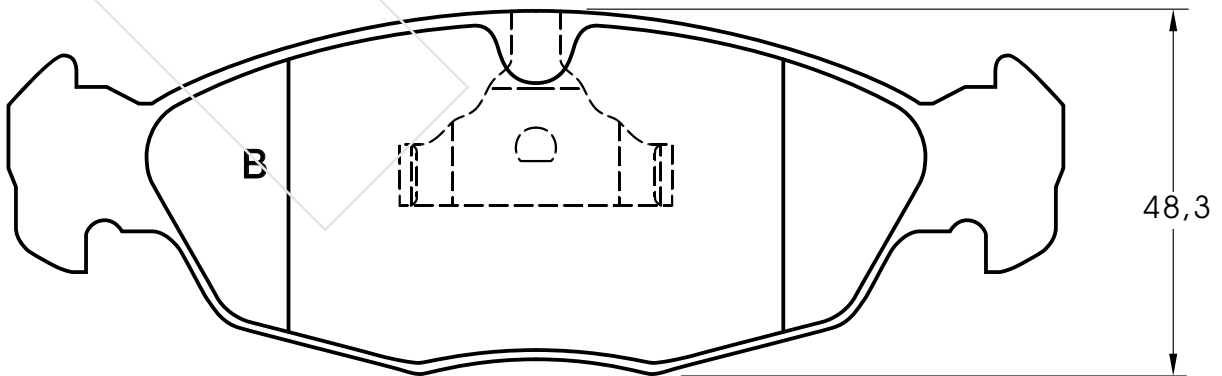
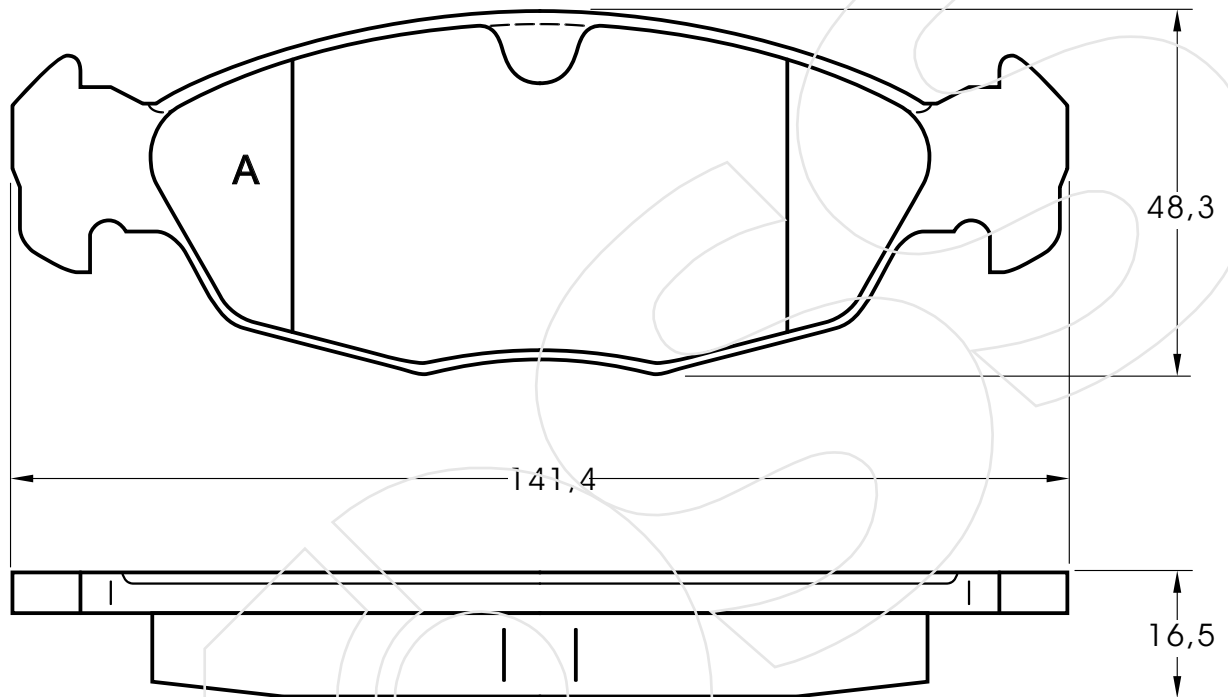


CODICE	IMPIANTO		ASSE	SCALA	APPLICAZIONI
<b>R-583</b>	ATE		ANTERIORE	1:1	FORD
CODICE COMPONENTI	N°	L(mm)	SERIE		
*	*		2 PEZZI TIPO A		
M0029+P1002+F3040	2+2+2	260	2 PEZZI TIPO B		
*	*				
CODICE ACCESSORI	N°	L(mm)	NOTE		
			*		
*	*		*		
*	*		*		
*	*		*		



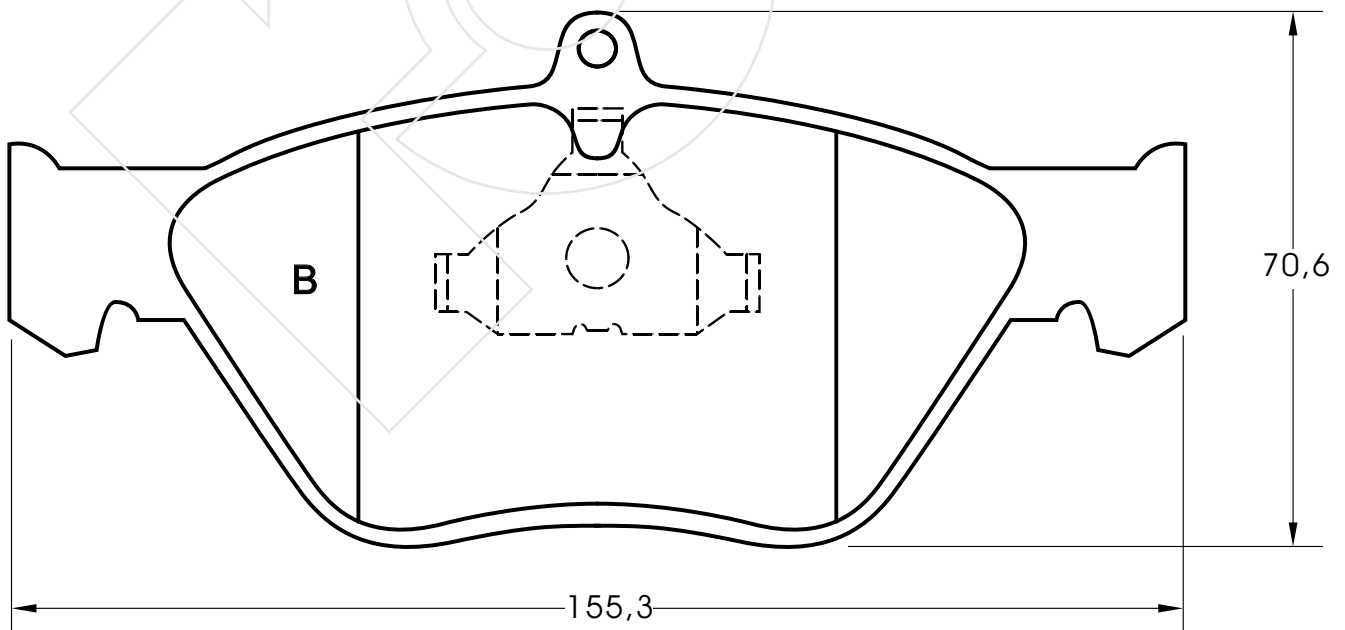
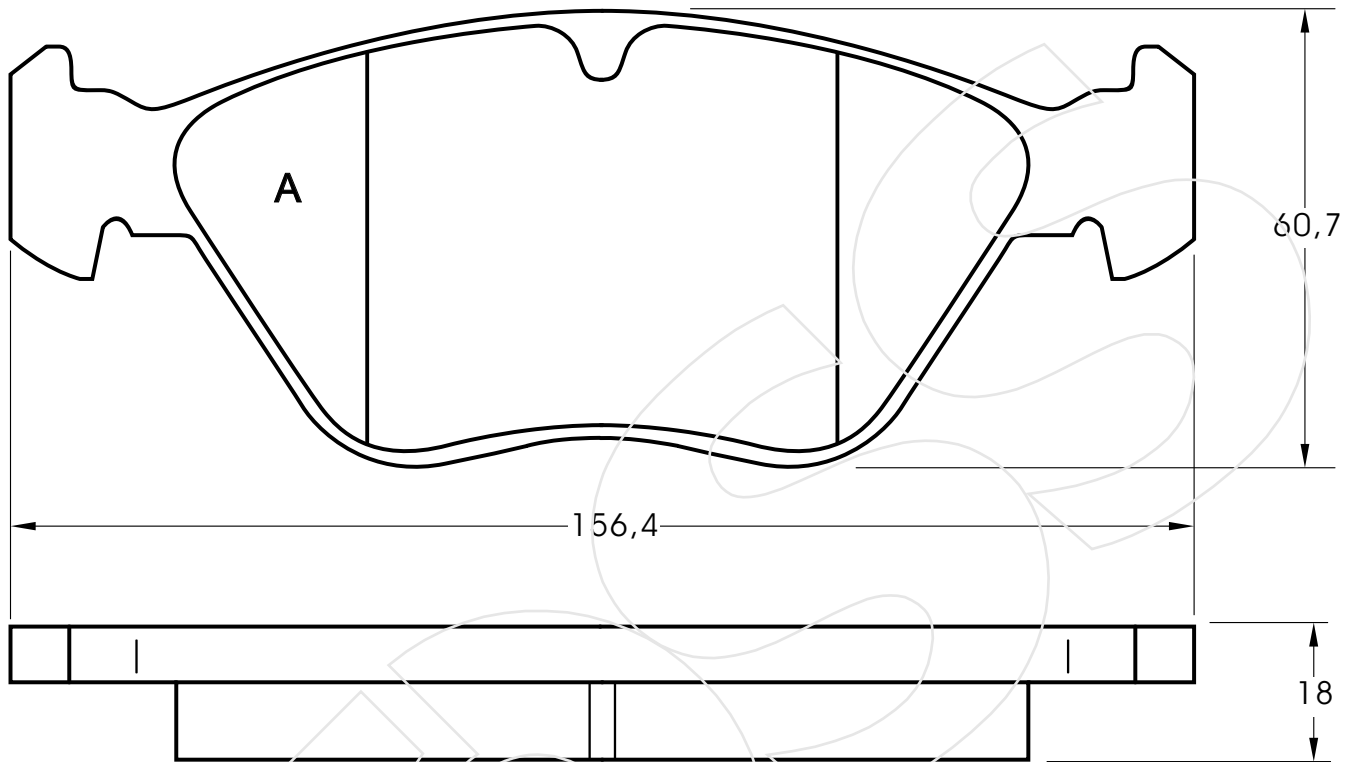
Reference in this Catalogue to other manufactures and to part numbers and other descriptions are for identification purposes only, because the above DISC BRAKE PADS are NOT ORIGINAL but with these interchangeable.

CODICE	IMPIANTO		ASSE	SCALA	APPLICAZIONI
<b>R-584</b>	ATE		ANTERIORE	1:1	OPEL
CODICE COMPONENTI	N°	L(mm)	SERIE		
*	*		2 PEZZI TIPO A		
M0093	2	*	2 PEZZI TIPO B		
*	*				
CODICE ACCESSORI	N°	L(mm)	NOTE		
			*		
*	*		*		
*	*		*		
*	*		*		



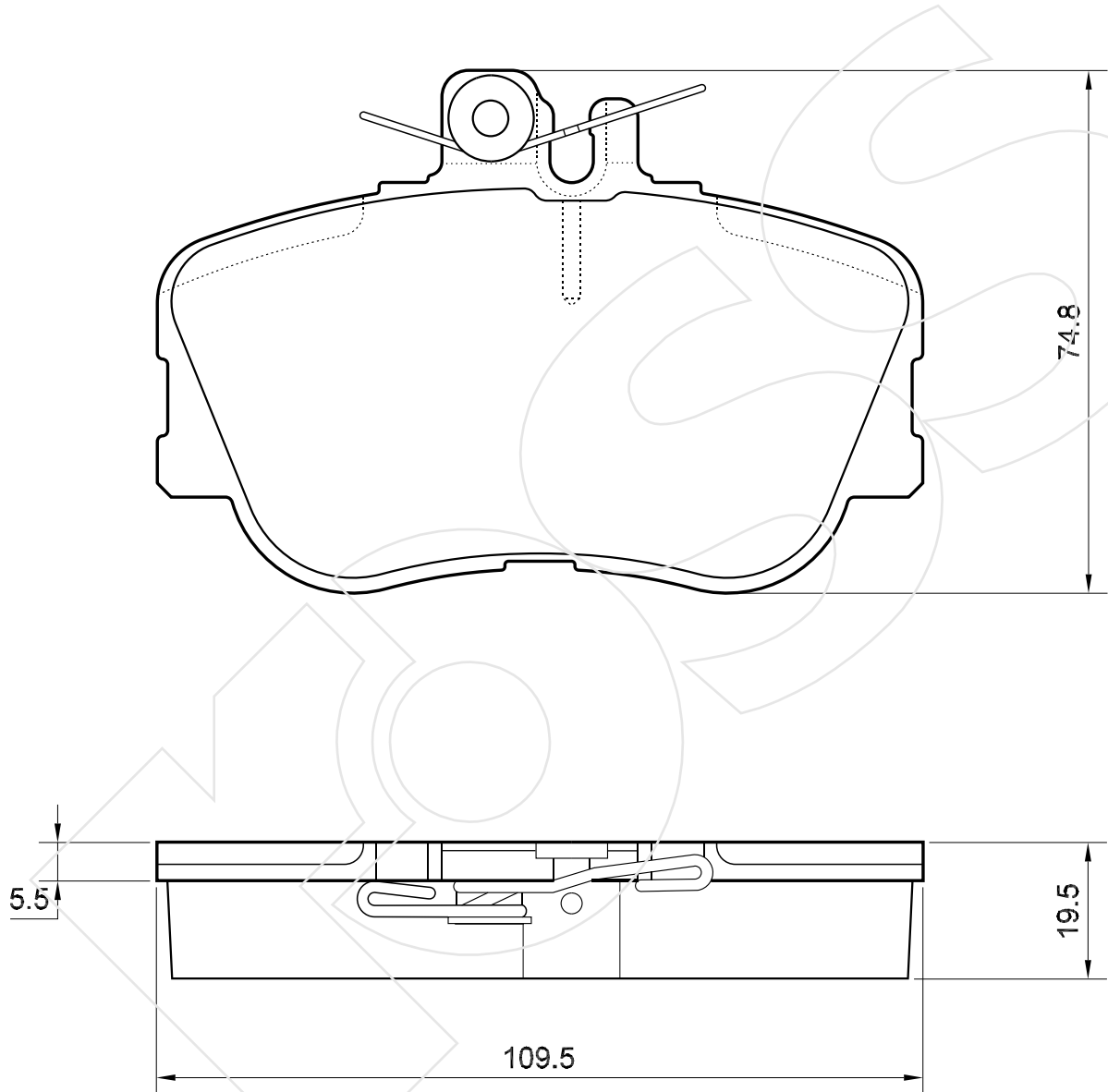
Reference in this Catalogue to other manufactures and to part numbers and other descriptions are for identification purposes only, because the above DISC BRAKE PADS are NOT ORIGINAL but with these interchangeable.

CODICE	IMPIANTO		ASSE	SCALA	APPLICAZIONI
<b>R-585</b>	ATE		ANTERIORE	1:1	OPEL SAAB
CODICE COMPONENTI	N°	L(mm)	SERIE		
*	*		2 PEZZI TIPO A		
M0104	2	*	2 PEZZI TIPO B		
*	*				
CODICE ACCESSORI	N°	L(mm)	NOTE		
			*		
*	*		*		
*	*		*		
*	*		*		



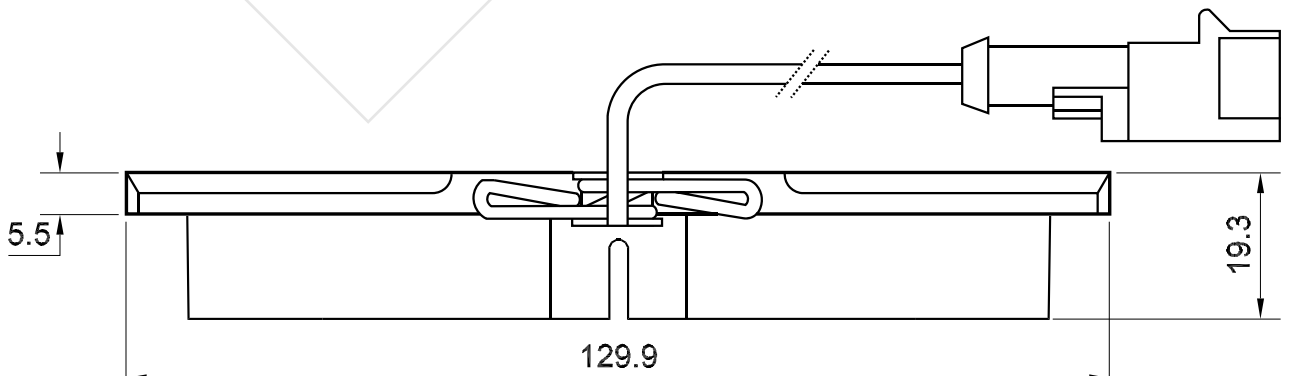
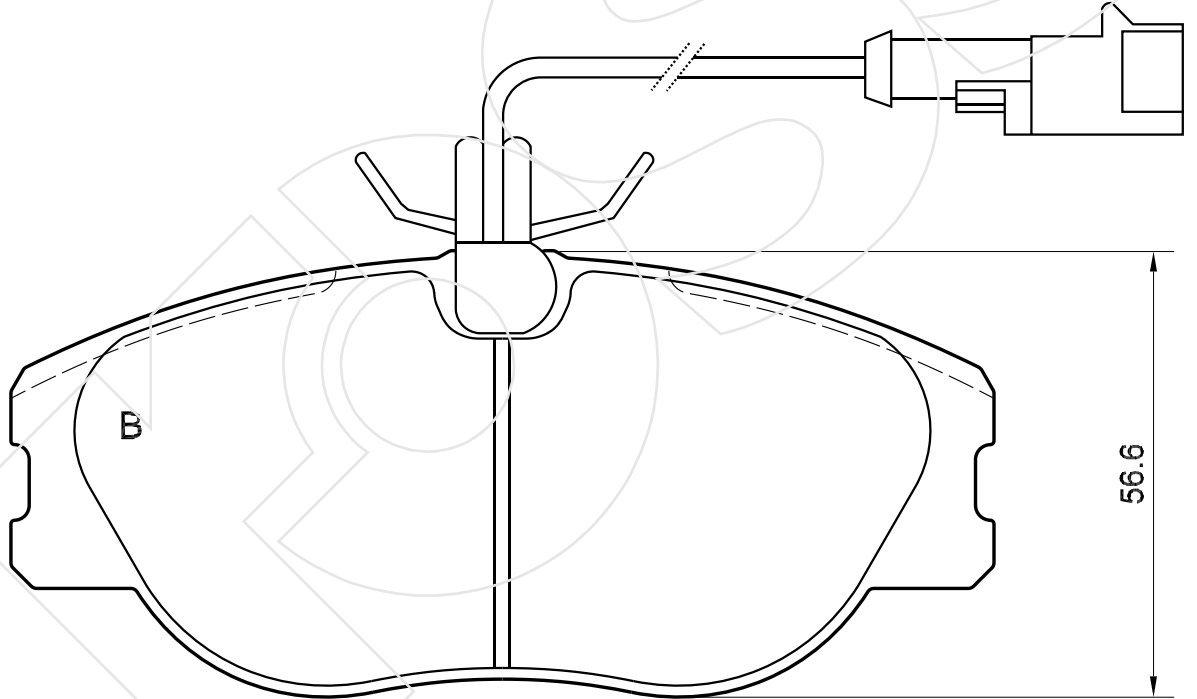
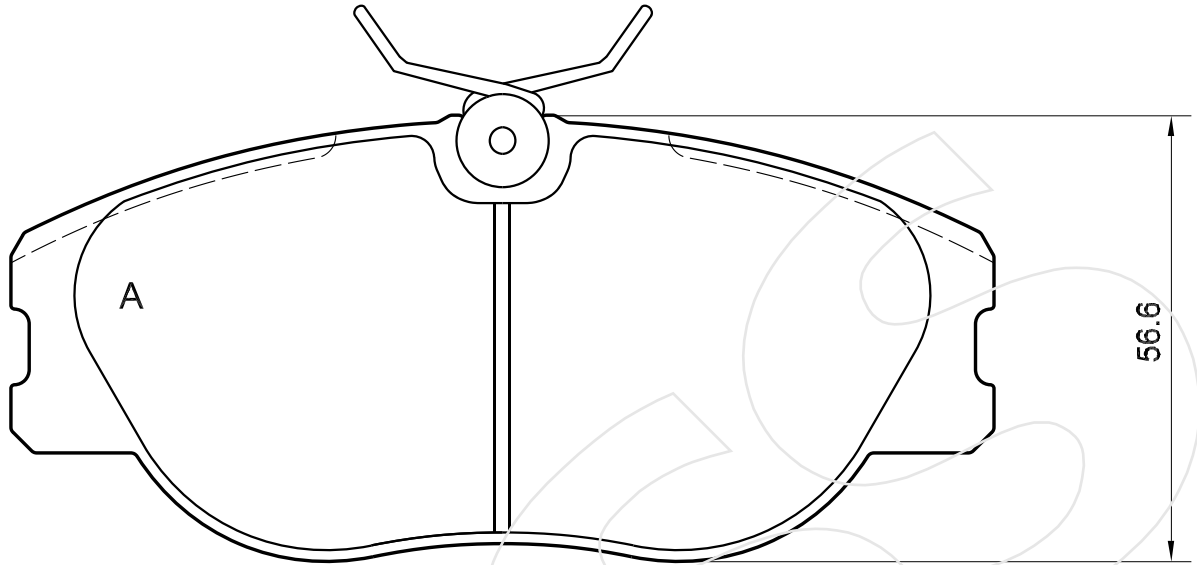
Reference in this Catalogue to other manufactures and to part numbers and other descriptions are for identification purposes only, because the above DISC BRAKE PADS are NOT ORIGINAL but with these interchangeable.

CODICE	IMPIANTO		ASSE	SCALA	APPLICAZIONI
<b>R-586</b>	GIRLING		ANTERIORE	1:1	MERCEDES
CODICE COMPONENTI	N°	L(mm)	SERIE		
M0105+P1012	4+4	*	4 PEZZI		
*	*	*	*		
*	*	*	*		
*	*	*	*		
CODICE ACCESSORI	N°	L(mm)	NOTE		
*	*	*	*		
*	*	*	*		
*	*	*	*		
*	*	*	*		



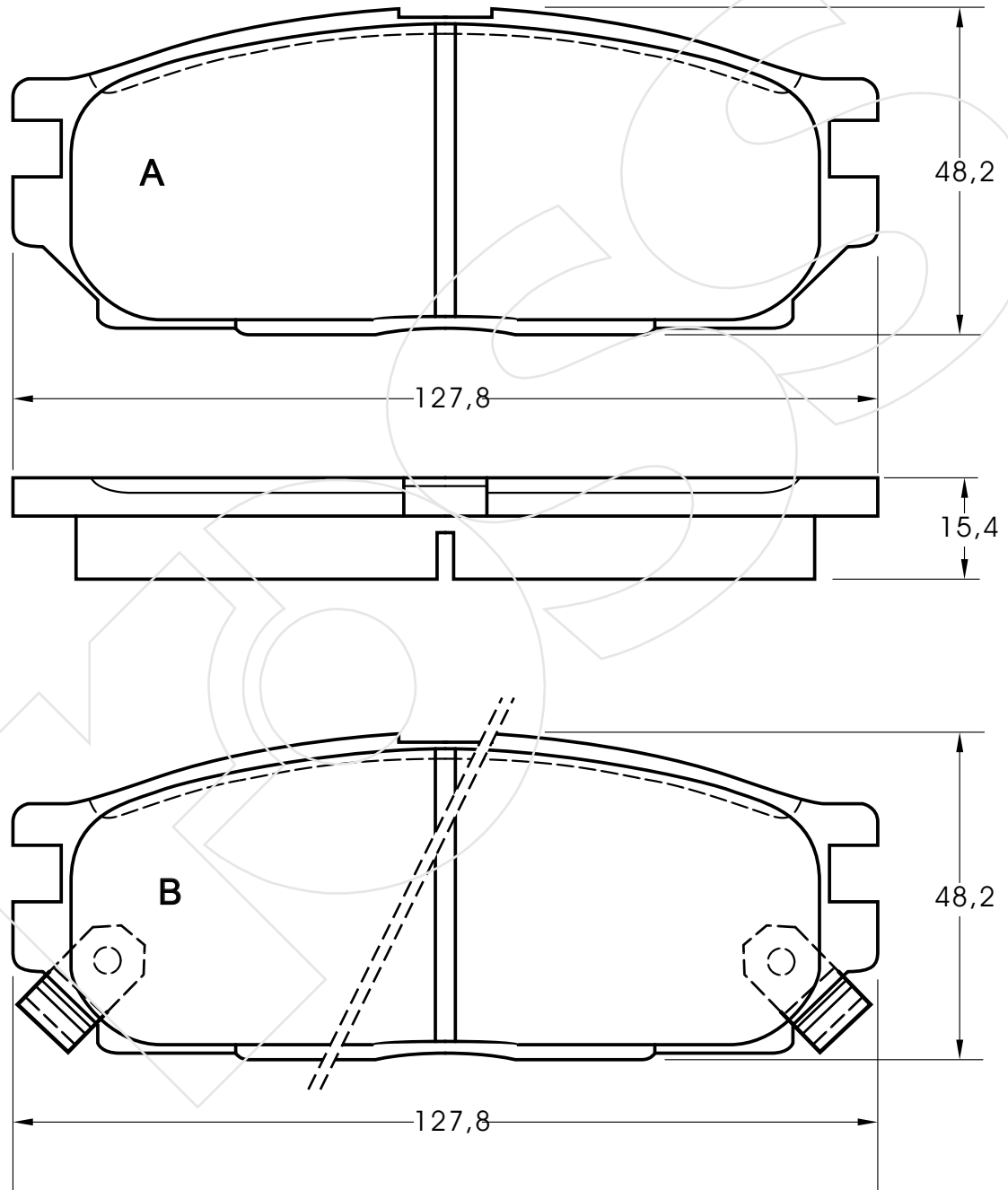
Reference in this Catalogue to other manufactures and to part numbers and other descriptions are for identification purposes only, because the above DISC BRAKE PADS are NOT ORIGINAL but with these interchangeable.

CODICE	IMPIANTO		ASSE	SCALA	APPLICAZIONI
<b>R-587</b>	GIRLING		ANTERIORE	100%	ALFA ROMEO FIAT LANCIA
CODICE COMPONENTI	N°	L(mm)	SERIE		
M0015+P1004	2+2	*	2 PEZZI TIPO A		
M0015+P1004+F3019	2+2+2	220	2 PEZZI TIPO B		
*	*	*	*		
CODICE ACCESSORI	N°	L(mm)	NOTE		
*	*	*			
*	*	*			
*	*	*			
*	*	*			



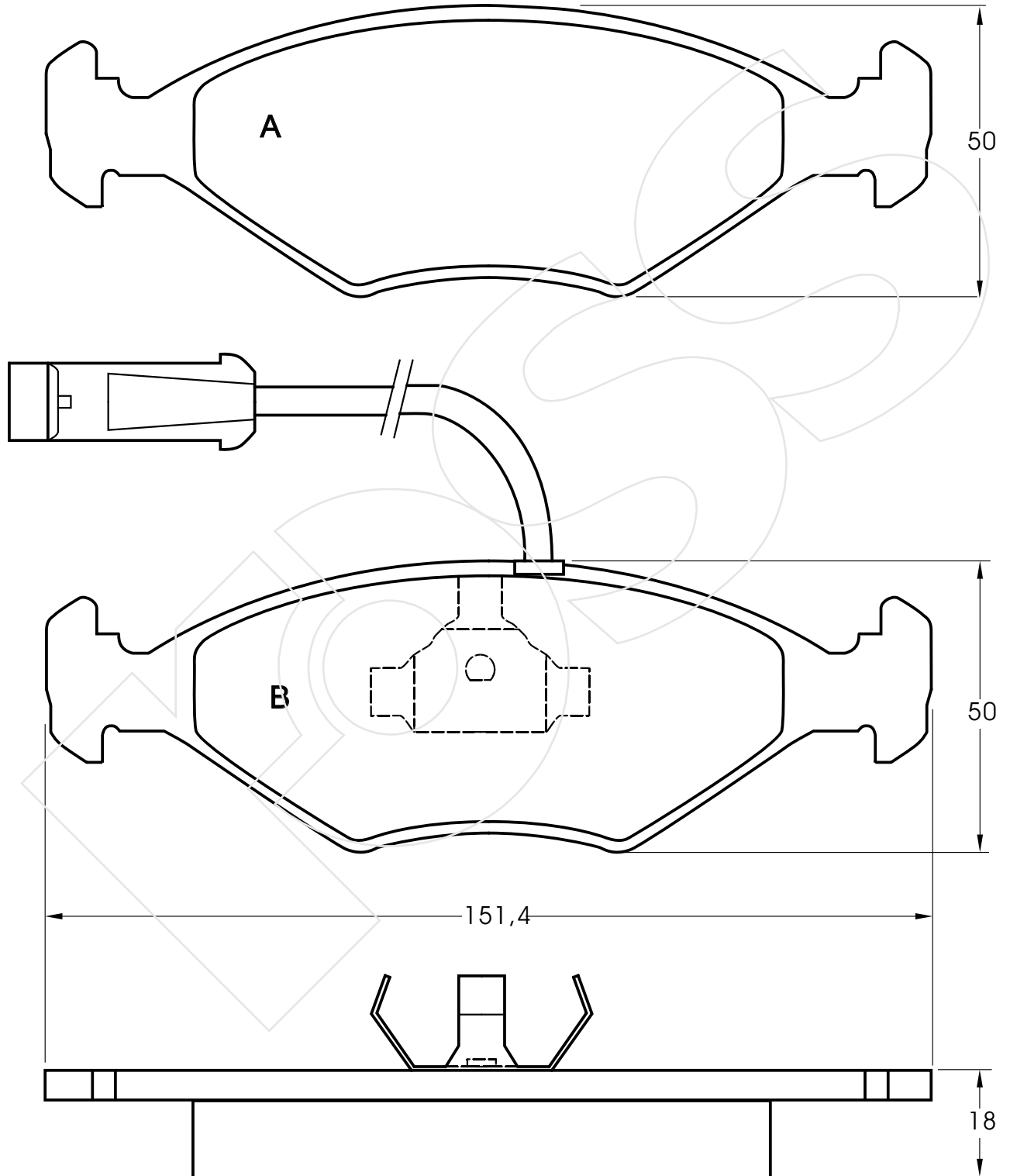
Reference in this Catalogue to other manufactures and to part numbers and other descriptions are for identification purposes only, because the above DISC BRAKE PADS are NOT ORIGINAL but with these interchangeable.

CODICE	IMPIANTO		ASSE	SCALA	APPLICAZIONI
<b>R-588</b>	LUCAS		ANTERIORE	1:1	MITSUBISHI
CODICE COMPONENTI	N°	L(mm)	SERIE		
*	*		2 PEZZI TIPO A		
M0043	2	*	2 PEZZI TIPO B		
*	*				
CODICE ACCESSORI	N°	L(mm)	NOTE		
			*		
*	*		*		
*	*		*		
*	*		*		



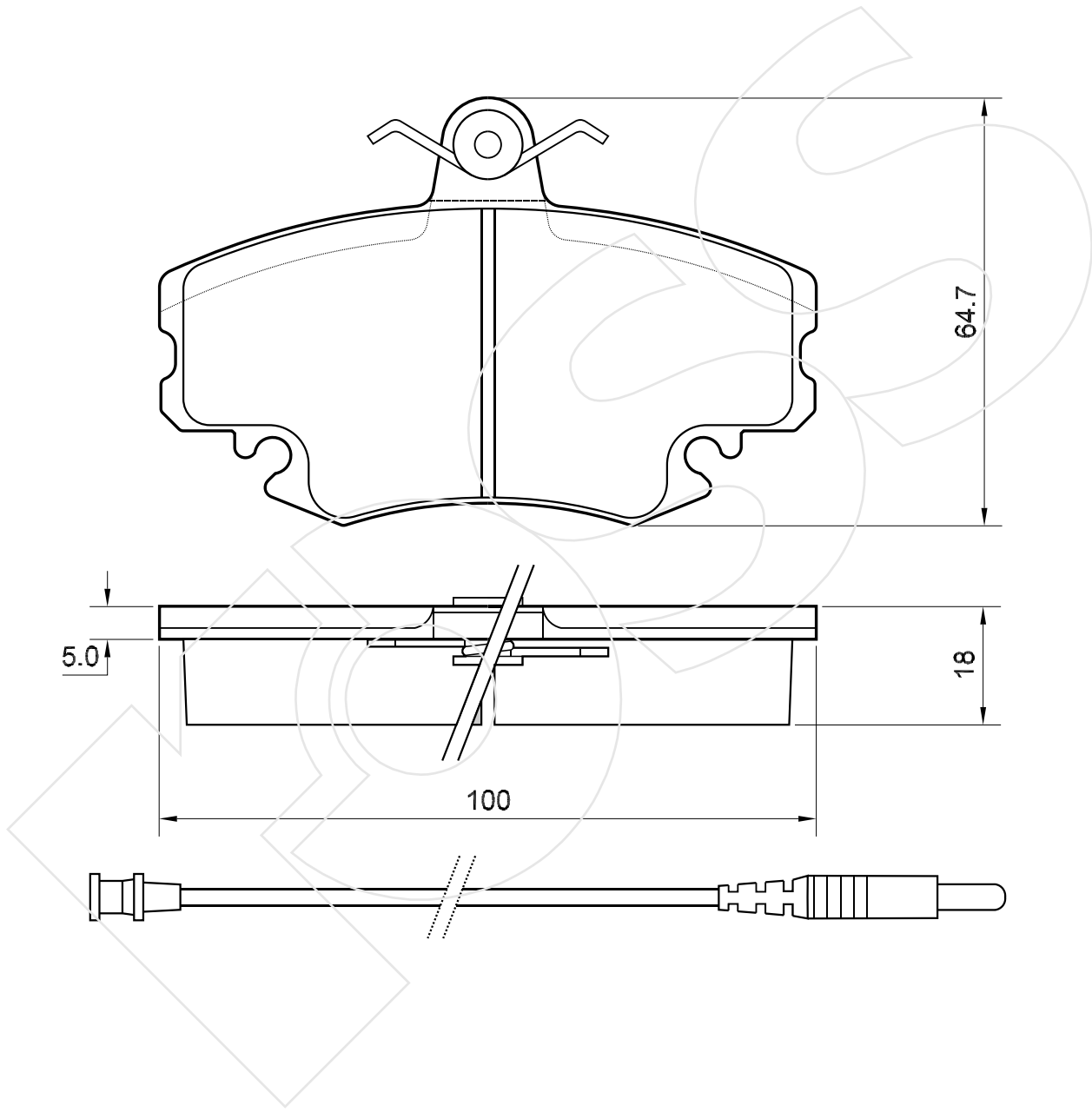
Reference in this Catalogue to other manufactures and to part numbers and other descriptions are for identification purposes only, because the above DISC BRAKE PADS are NOT ORIGINAL but with these interchangeable.

CODICE	IMPIANTO		ASSE	SCALA	APPLICAZIONI
<b>R-589</b>	ATE		ANTERIORE	1:1	FIAT
CODICE COMPONENTI	N°	L(mm)	SERIE		
*	*		2 PEZZI TIPO A		
M0011+P1002+F3020	2+2+2	250	2 PEZZI TIPO B		
*	*				
CODICE ACCESSORI	N°	L(mm)	NOTE		
			*		
*	*		*		
*	*		*		
*	*		*		



Reference in this Catalogue to other manufactures and to part numbers and other descriptions are for identification purposes only, because the above DISC BRAKE PADS are NOT ORIGINAL but with these interchangeable.

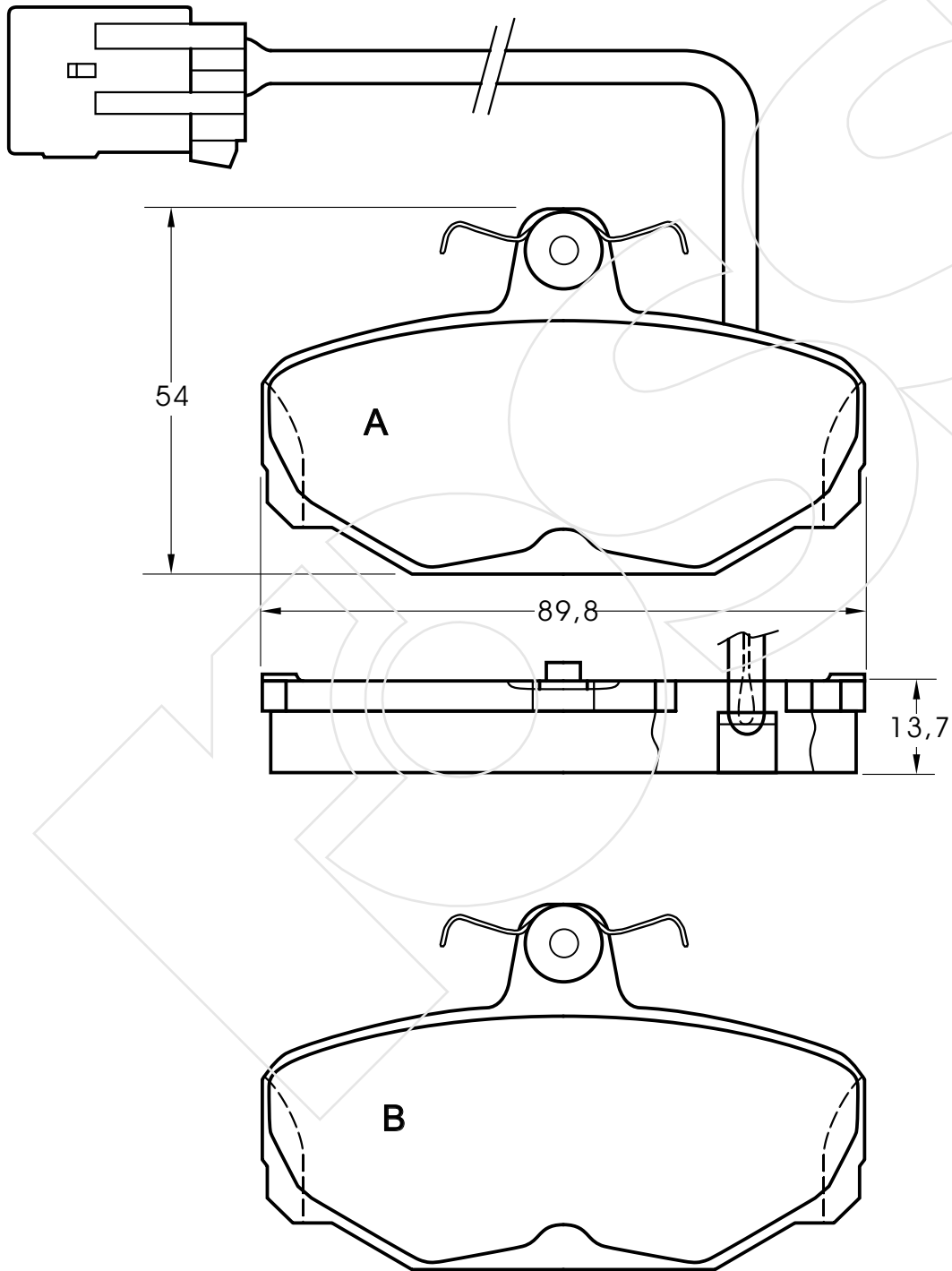
CODICE	IMPIANTO		ASSE	SCALA	APPLICAZIONI
<b>R-590</b>	GIRLING		ANTERIORE	100%	RENAULT
CODICE COMPONENTI	N°	L(mm)	SERIE		
M0077+P1011	4+4	*	4 PEZZI		
F3059	2	220			
*	*	*			
*	*	*			
CODICE ACCESSORI	N°	L(mm)	NOTE		
*	*	*			
*	*	*			
*	*	*			
*	*	*			



Reference in this Catalogue to other manufactures and to part numbers and other descriptions are for identification purposes only, because the above DISC BRAKE PADS are NOT ORIGINAL but with these interchangeable.

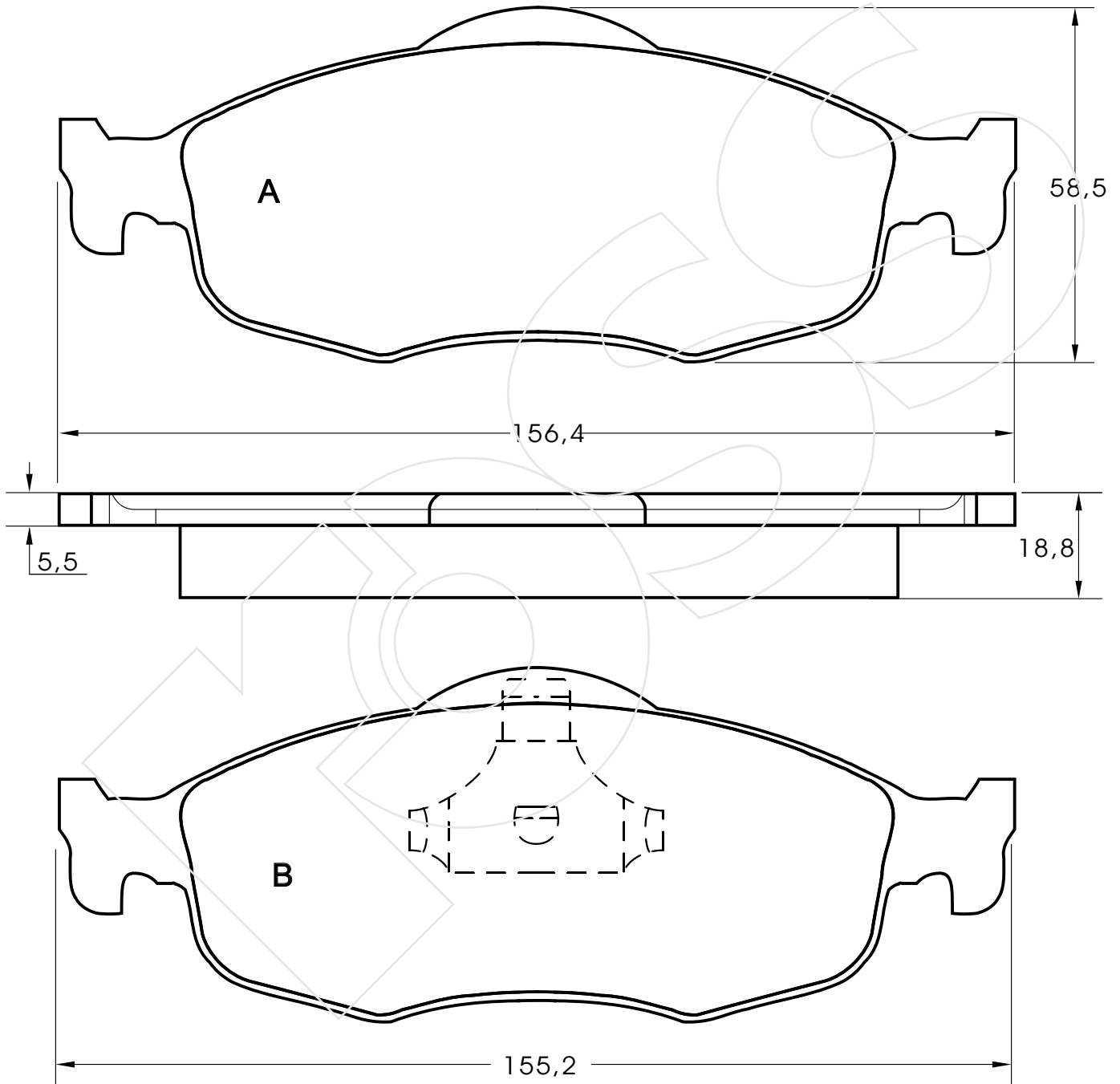


CODICE	IMPIANTO	ASSE	SCALA	APPLICAZIONI
<b>R-591</b>	GIRLING	POSTERIORE	1:1	FORD
CODICE COMPONENTI	N°	L(mm)	SERIE	
M0030+P1011	2+2		2 PEZZI TIPO A	
M0030+P1011+F3041	2+2+2	240	2 PEZZI TIPO B	
*	*			
CODICE ACCESSORI	N°	L(mm)	NOTE	
			*	
*	*		*	
*	*		*	
*	*		*	



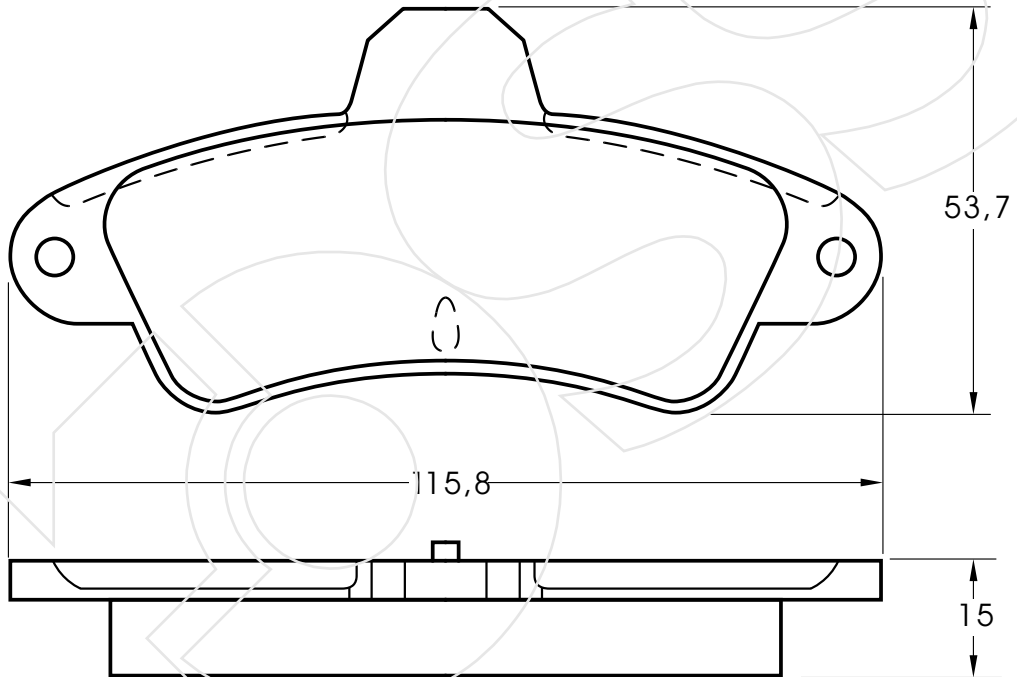
Reference in this Catalogue to other manufactures and to part numbers and other descriptions are for identification purposes only, because the above DISC BRAKE PADS are NOT ORIGINAL but with these interchangeable.

CODICE	IMPIANTO		ASSE	SCALA	APPLICAZIONI
<b>R-592</b>	ATE		ANTERIORE	1:1	FORD
CODICE COMPONENTI	N°	L(mm)	SERIE		
*	*		2 PEZZI TIPO A		
M0101	2	*	2 PEZZI TIPO B		
*	*				
CODICE ACCESSORI	N°	L(mm)	NOTE		
			*		
*	*		*		
*	*		*		
*	*		*		



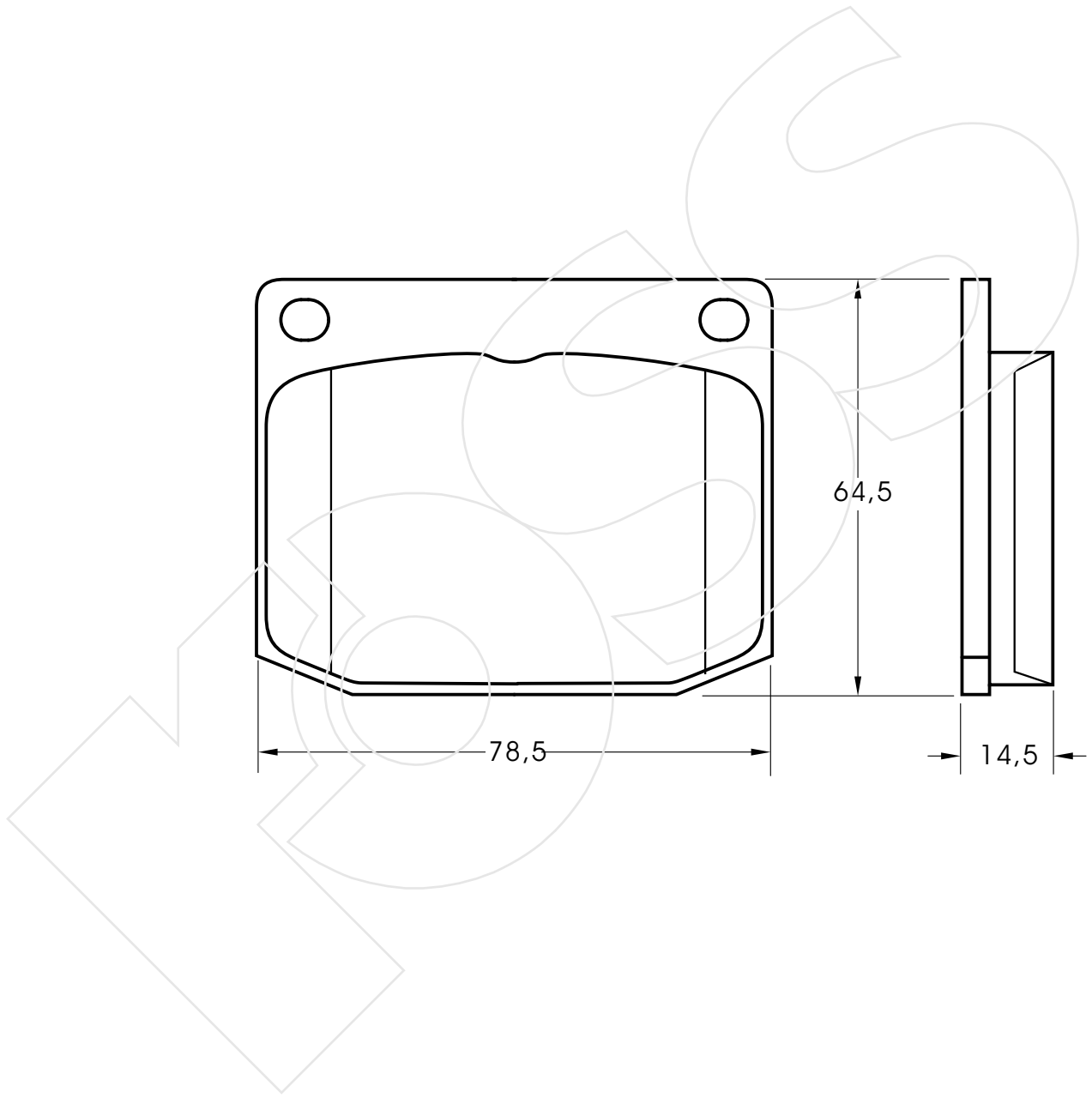
Reference in this Catalogue to other manufactures and to part numbers and other descriptions are for identification purposes only, because the above DISC BRAKE PADS are NOT ORIGINAL but with these interchangeable.

CODICE	IMPIANTO	ASSE	SCALA	APPLICAZIONI
<b>R-593</b>	BENDIX	POSTERIORE	1:1	FORD
CODICE COMPONENTI	N°	L(mm)	SERIE	
*	*		4 PEZZI	
*	*	*		
*	*			
CODICE ACCESSORI	N°	L(mm)	NOTE	
			*	
*	*		*	
*	*		*	
*	*		*	



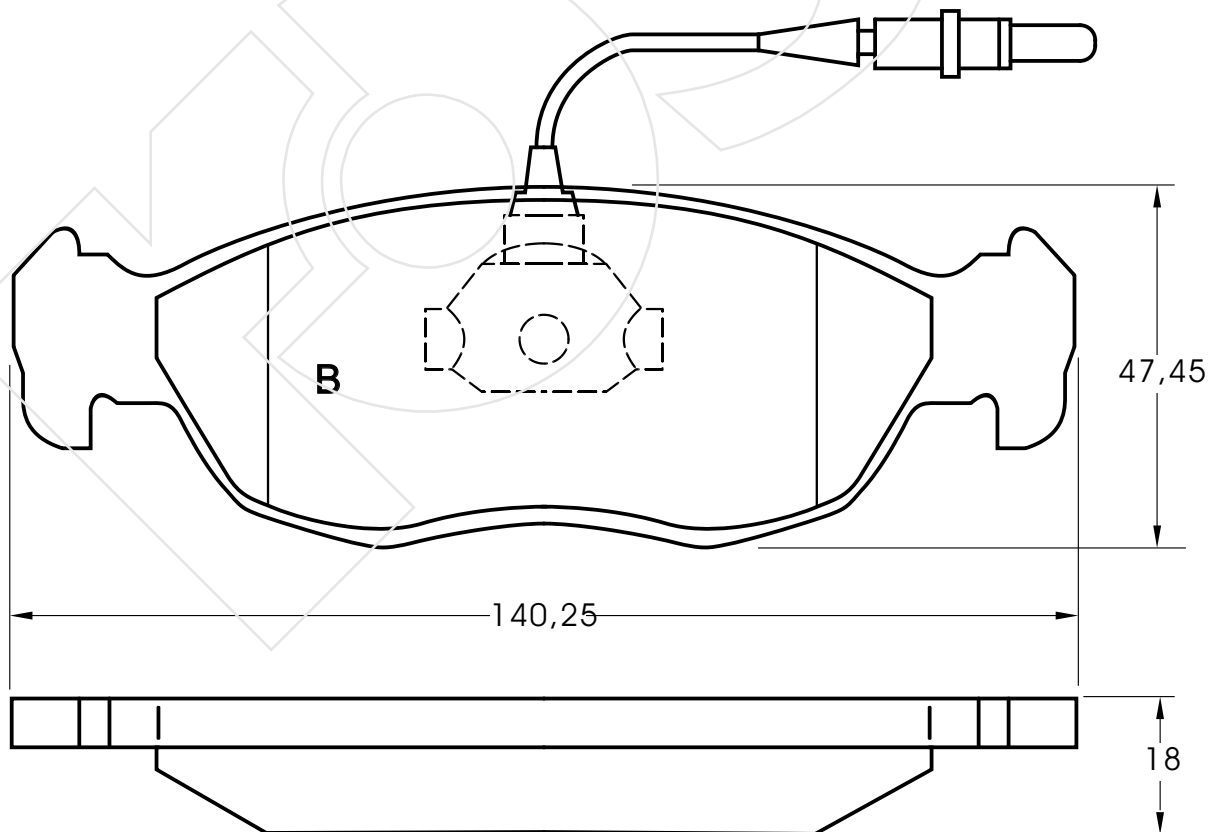
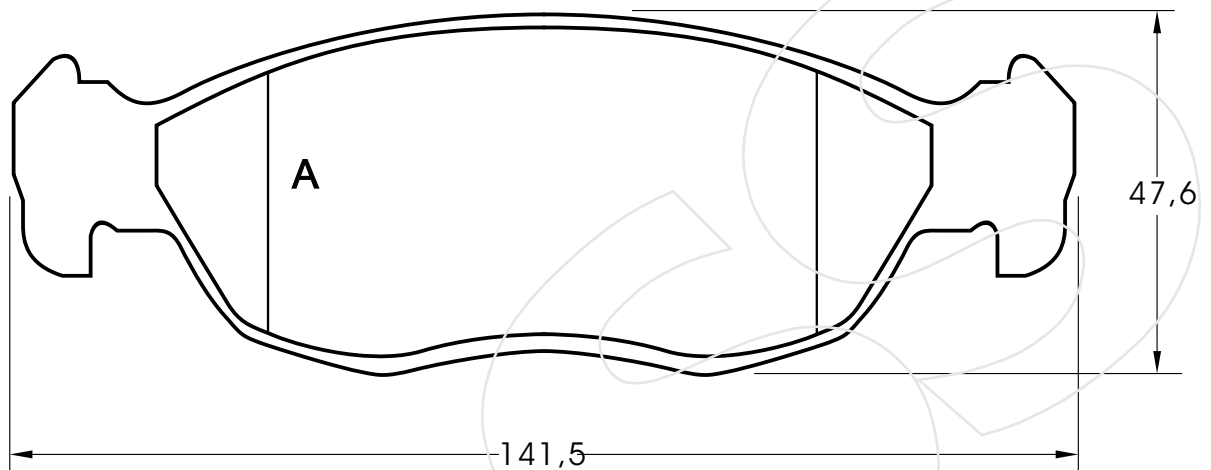
Reference in this Catalogue to other manufactures and to part numbers and other descriptions are for identification purposes only, because the above DISC BRAKE PADS are NOT ORIGINAL but with these interchangeable.

CODICE	IMPIANTO	ASSE	SCALA	APPLICAZIONI
<b>R-594</b>	GIRLING	ANTERIORE	1:1	SAAB
CODICE COMPONENTI	N°	L(mm)	SERIE	
*	*		4 PEZZI	
*	*	*		
*	*			
CODICE ACCESSORI	N°	L(mm)	NOTE	
			*	
*	*		*	
*	*		*	
*	*		*	



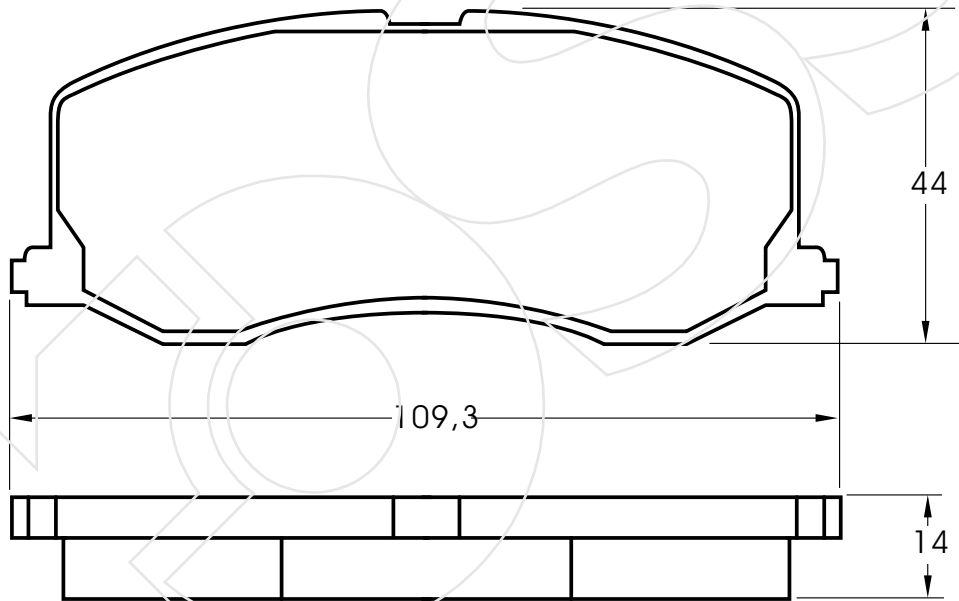
Reference in this Catalogue to other manufactures and to part numbers and other descriptions are for identification purposes only, because the above DISC BRAKE PADS are NOT ORIGINAL but with these interchangeable.

CODICE	IMPIANTO		ASSE	SCALA	APPLICAZIONI
<b>R-595</b>	ATE		ANTERIORE	1:1	PEUGEOT
CODICE COMPONENTI	N°	L(mm)	SERIE		
*	*		2 PEZZI TIPO A		
M0106+F3010	2+2	285	2 PEZZI TIPO B		
*	*				
CODICE ACCESSORI	N°	L(mm)	NOTE		
			*		
*	*		*		
*	*		*		
*	*		*		



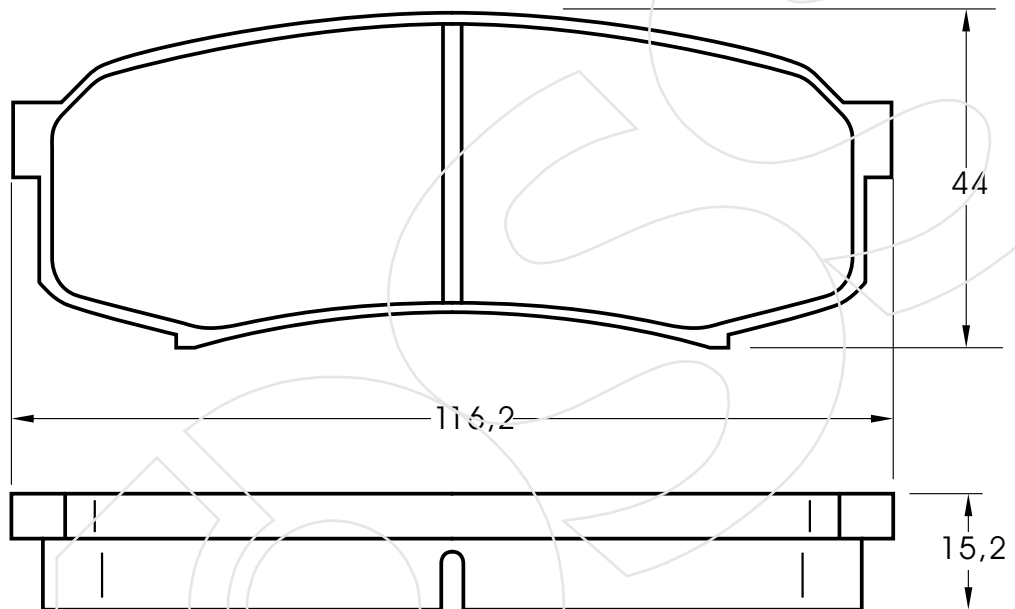
Reference in this Catalogue to other manufactures and to part numbers and other descriptions are for identification purposes only, because the above DISC BRAKE PADS are NOT ORIGINAL but with these interchangeable.

CODICE	IMPIANTO		ASSE	SCALA	APPLICAZIONI
<b>R-596</b>	AKEBONO		ANTERIORE	1:1	SUZUKI
CODICE COMPONENTI	N°	L(mm)	SERIE		
*	*	*	4 PEZZI		
*	*				
*	*				
CODICE ACCESSORI	N°	L(mm)	NOTE		
			*		
*	*		*		
*	*		*		
*	*		*		



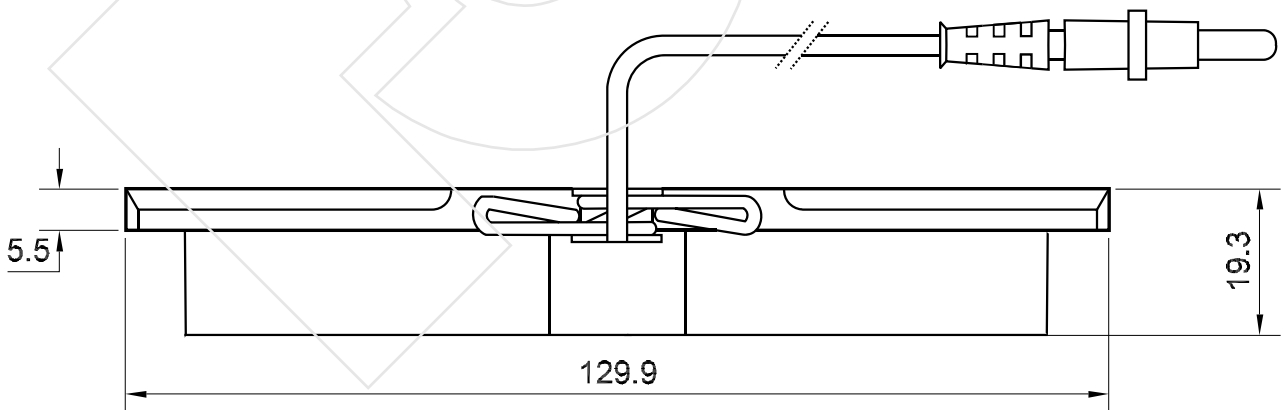
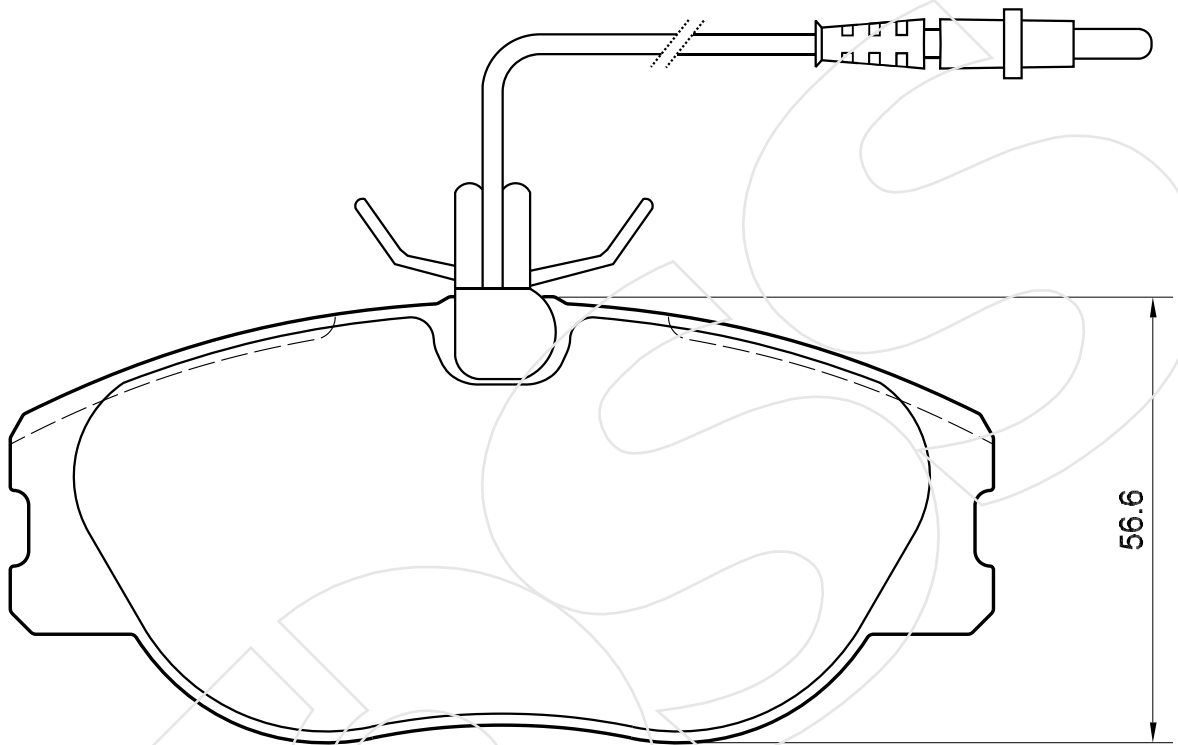
Reference in this Catalogue to other manufactures and to part numbers and other descriptions are for identification purposes only, because the above DISC BRAKE PADS are NOT ORIGINAL but with these interchangeable.

CODICE	IMPIANTO	ASSE	SCALA	APPLICAZIONI
<b>R-597</b>	SUMITOMO	POSTERIORE	1:1	TOYOTA
CODICE COMPONENTI	N°	L(mm)	SERIE	
*	*	*	4 PEZZI	
*	*			
*	*			
CODICE ACCESSORI	N°	L(mm)	NOTE	
			*	
*	*		*	
*	*		*	
*	*		*	



Reference in this Catalogue to other manufactures and to part numbers and other descriptions are for identification purposes only, because the above DISC BRAKE PADS are NOT ORIGINAL but with these interchangeable.

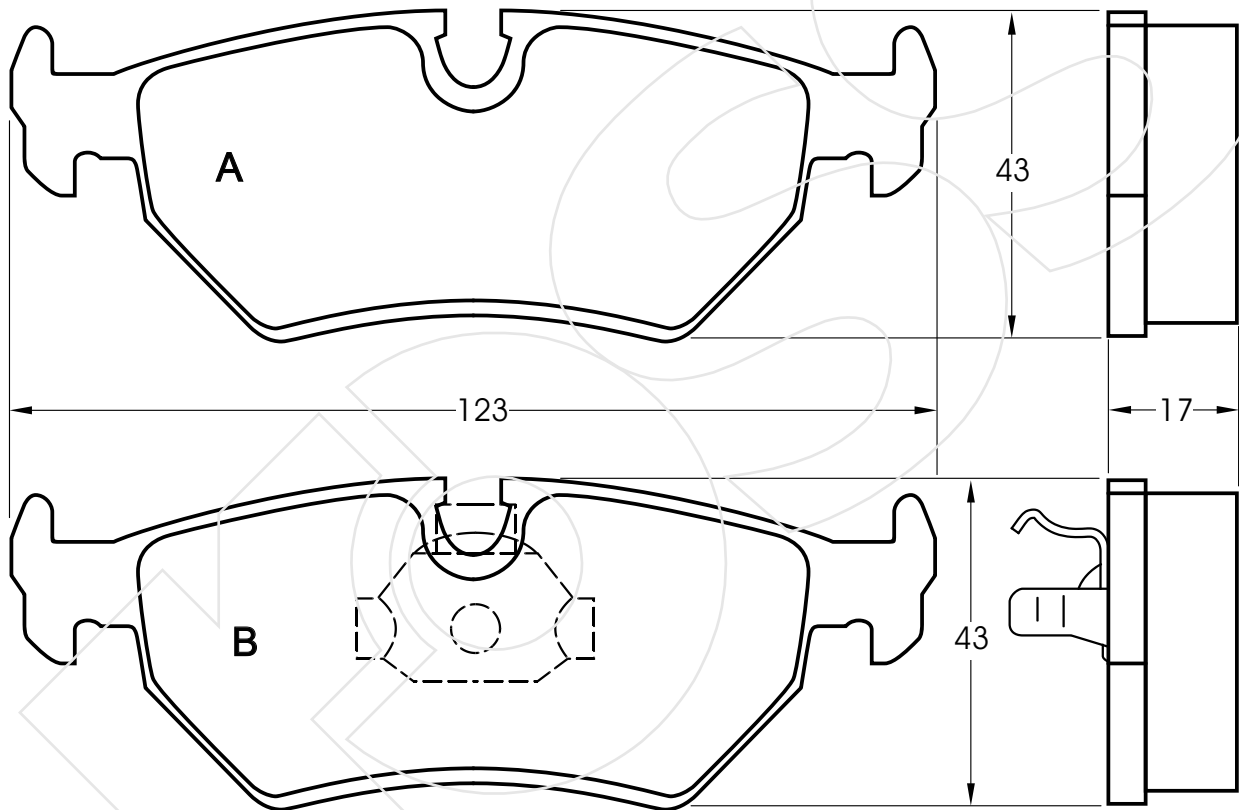
CODICE	IMPIANTO		ASSE	SCALA	APPLICAZIONI
<b>R-598</b>	GIRLING		ANTERIORE	100%	FIAT LANCIA PEUGEOT
CODICE COMPONENTI	N°	L(mm)	SERIE		
M0015+F3063	4+4	220	4 PEZZI		
*	*	*	*		
*	*	*	*		
*	*	*	*		
CODICE ACCESSORI	N°	L(mm)	NOTE		
*	*	*			
*	*	*			
*	*	*			
*	*	*			



Reference in this Catalogue to other manufactures and to part numbers and other descriptions are for identification purposes only, because the above DISC BRAKE PADS are NOT ORIGINAL but with these interchangeable.

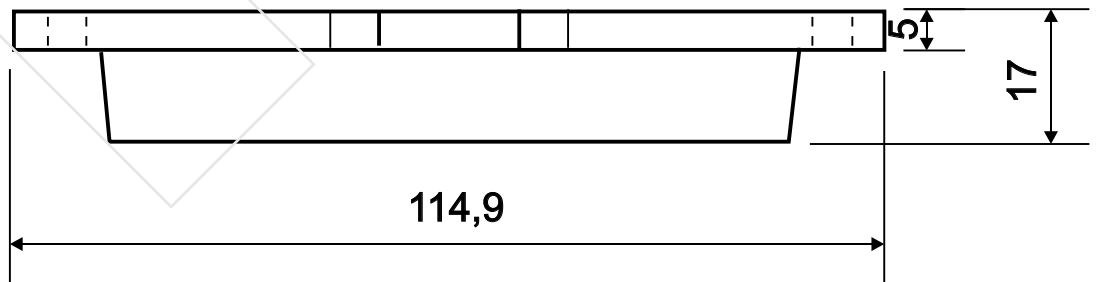
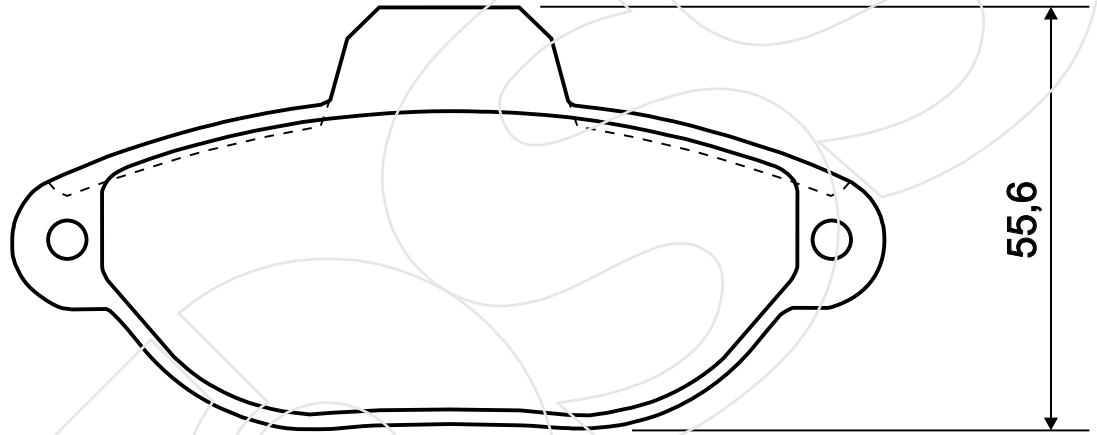


CODICE	IMPIANTO	ASSE	SCALA	APPLICAZIONI
<b>R-599</b>	ATE	POSTERIORE	1:1	FIAT LANCIA PEUGEOT JAGUAR
CODICE COMPONENTI	N°	L(mm)	SERIE	
*	*	*	2 PEZZI TIPO A	
M0068+P1002	2+2		2 PEZZI TIPO B	
*	*			
CODICE ACCESSORI	N°	L(mm)	NOTE	
*	*		*	
*	*		*	
*	*		*	
*	*		*	



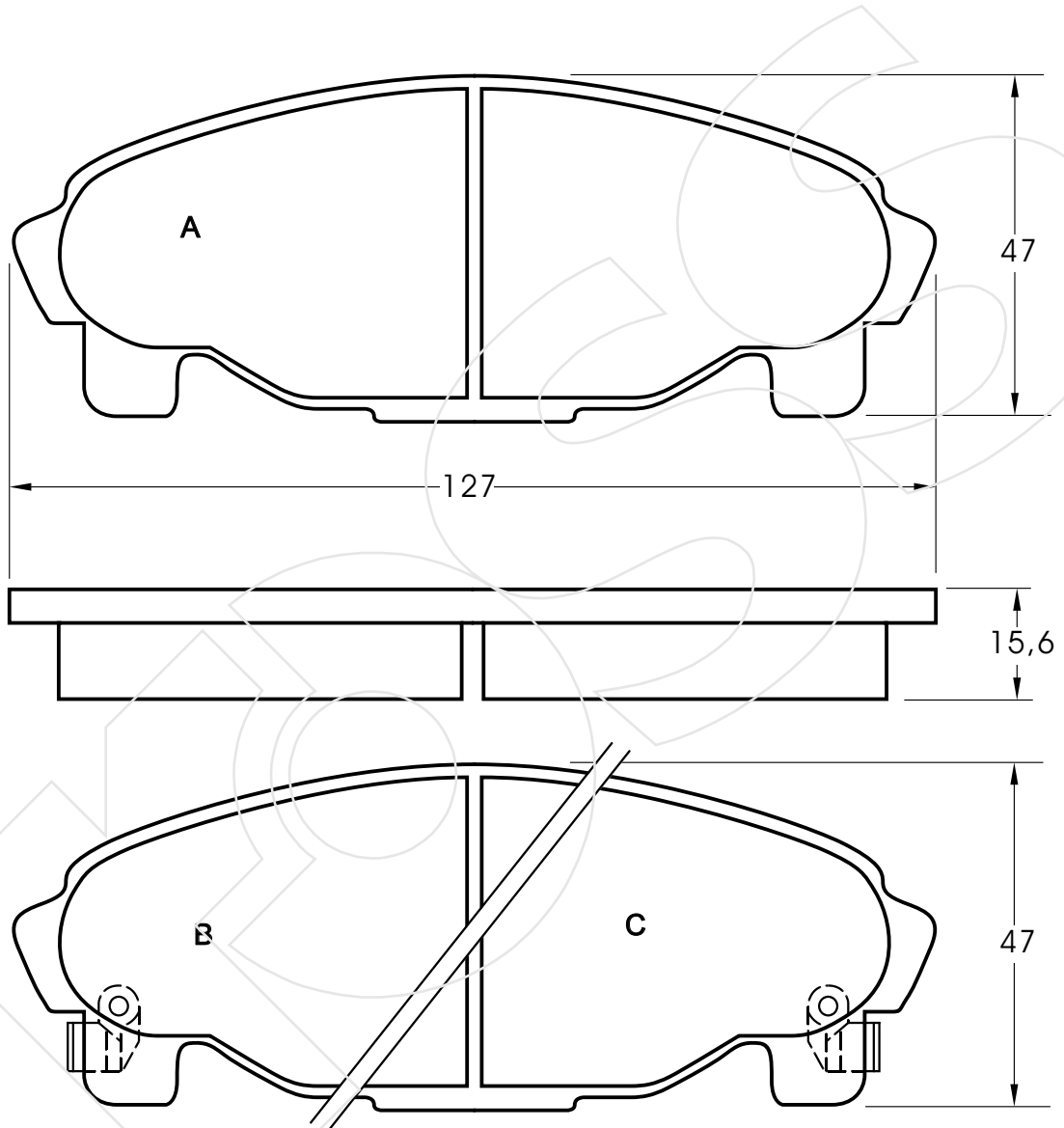
Reference in this Catalogue to other manufactures and to part numbers and other descriptions are for identification purposes only, because the above DISC BRAKE PADS are NOT ORIGINAL but with these interchangeable.

CODICE	IMPIANTO	ASSE	SCALA	APPLICAZIONI
<b>R-600</b>	BENDIX	ANTERIORE	1:1	FIAT PUNTO
CODICE COMPONENTI	N°	L(mm)	SERIE	
*	*	*	4 PEZZI	
*	*			
*	*			
CODICE ACCESSORI	N°	L(mm)	NOTE	
*	*		*	
*	*		*	
*	*		*	
*	*		*	



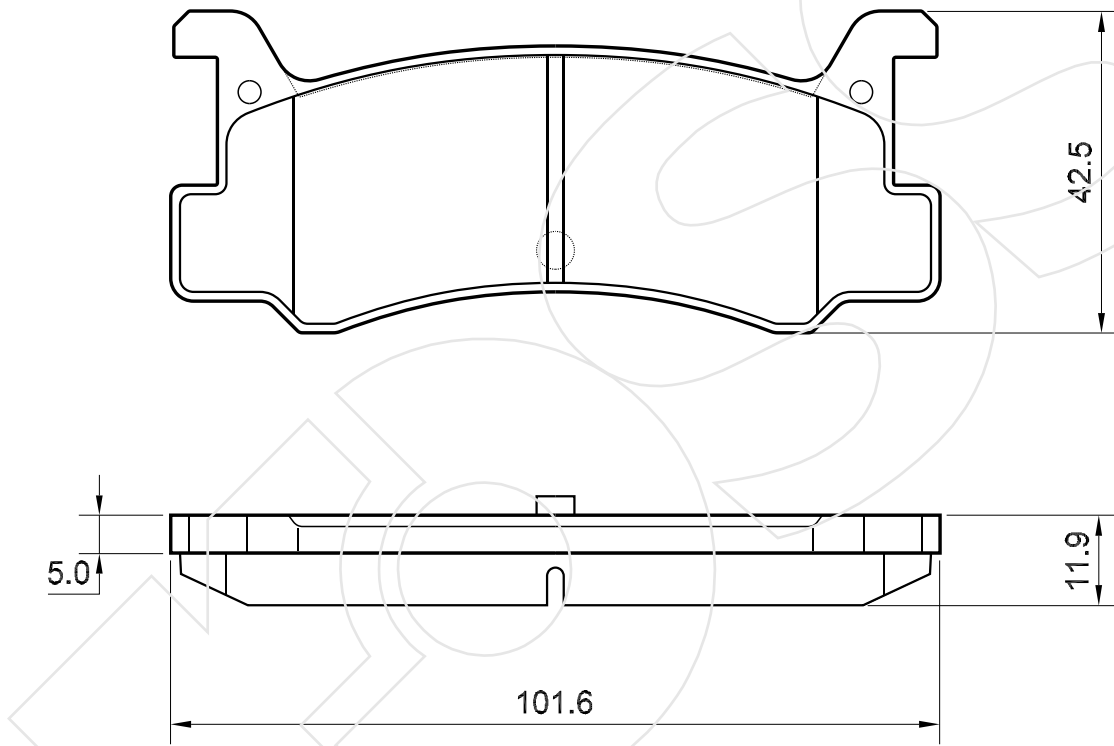
Reference in this Catalogue to other manufactures and to part numbers and other descriptions are for identification purposes only, because the above DISC BRAKE PADS are NOT ORIGINAL but with these interchangeable.

CODICE	IMPIANTO	ASSE	SCALA	APPLICAZIONI
<b>R-601</b>	AKEBONO	ANTERIORE	1:1	DAIHATSU
CODICE COMPONENTI	N°	L(mm)	SERIE	
*	*	*	2 PEZZI TIPO A	
M0095	1	*	1 PEZZO TIPO B	
M0094	1		1 PEZZO TIPO C	
CODICE ACCESSORI	N°	L(mm)	NOTE	
*	*			
*	*			
*	*			
*	*			



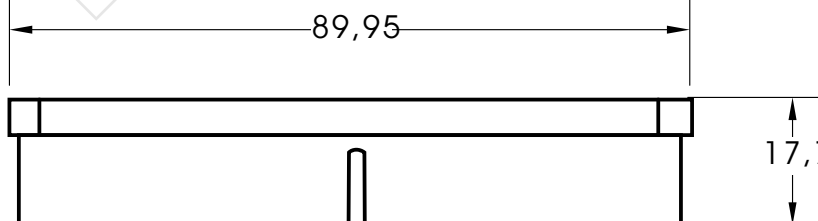
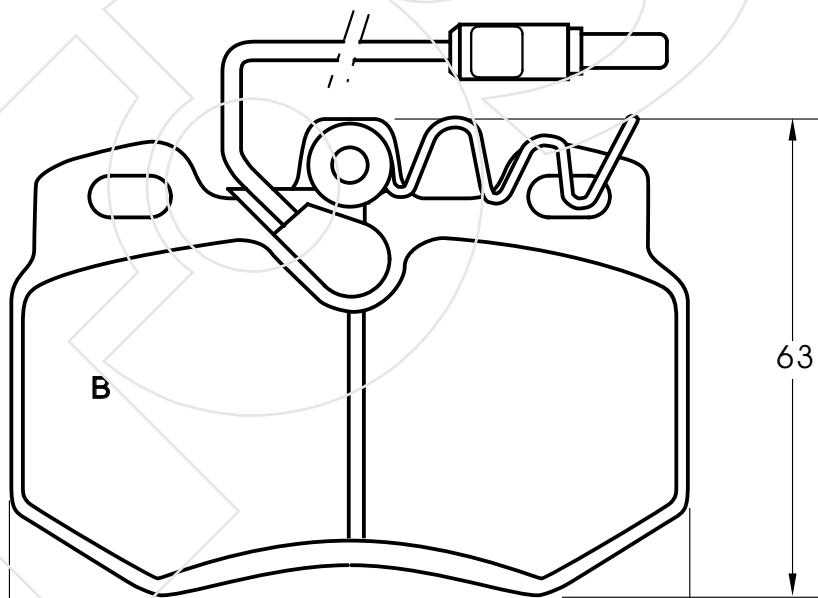
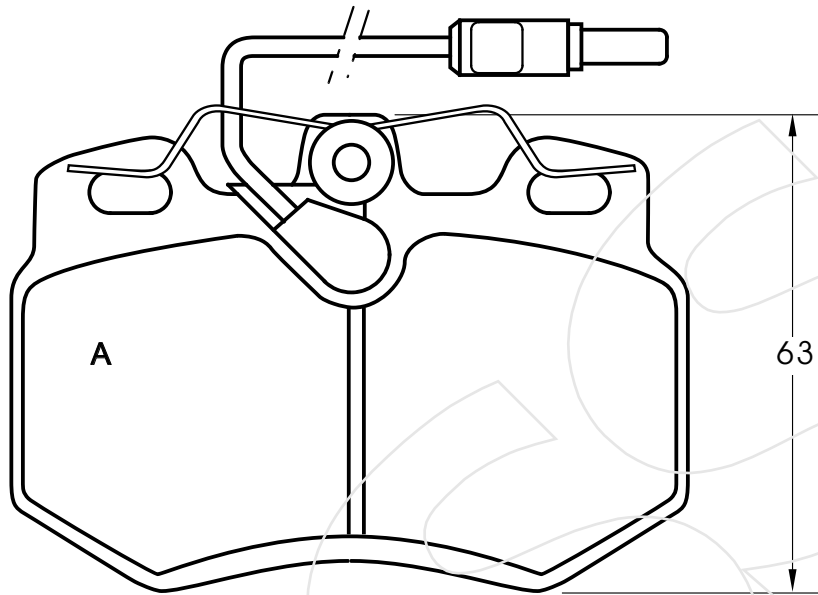
Reference in this Catalogue to other manufactures and to part numbers and other descriptions are for identification purposes only, because the above DISC BRAKE PADS are NOT ORIGINAL but with these interchangeable.

CODICE	IMPIANTO	ASSE	SCALA	APPLICAZIONI
<b>R-602</b>	AKEBONO	POSTERIORE	1:1	DAIHATSU
CODICE COMPONENTI	N°	L(mm)	SERIE	
*	*	*	4 PEZZI TIPO	
*	*	*		
CODICE ACCESSORI	N°	L(mm)	NOTE	
*	*			
*	*			
*	*			
*	*			



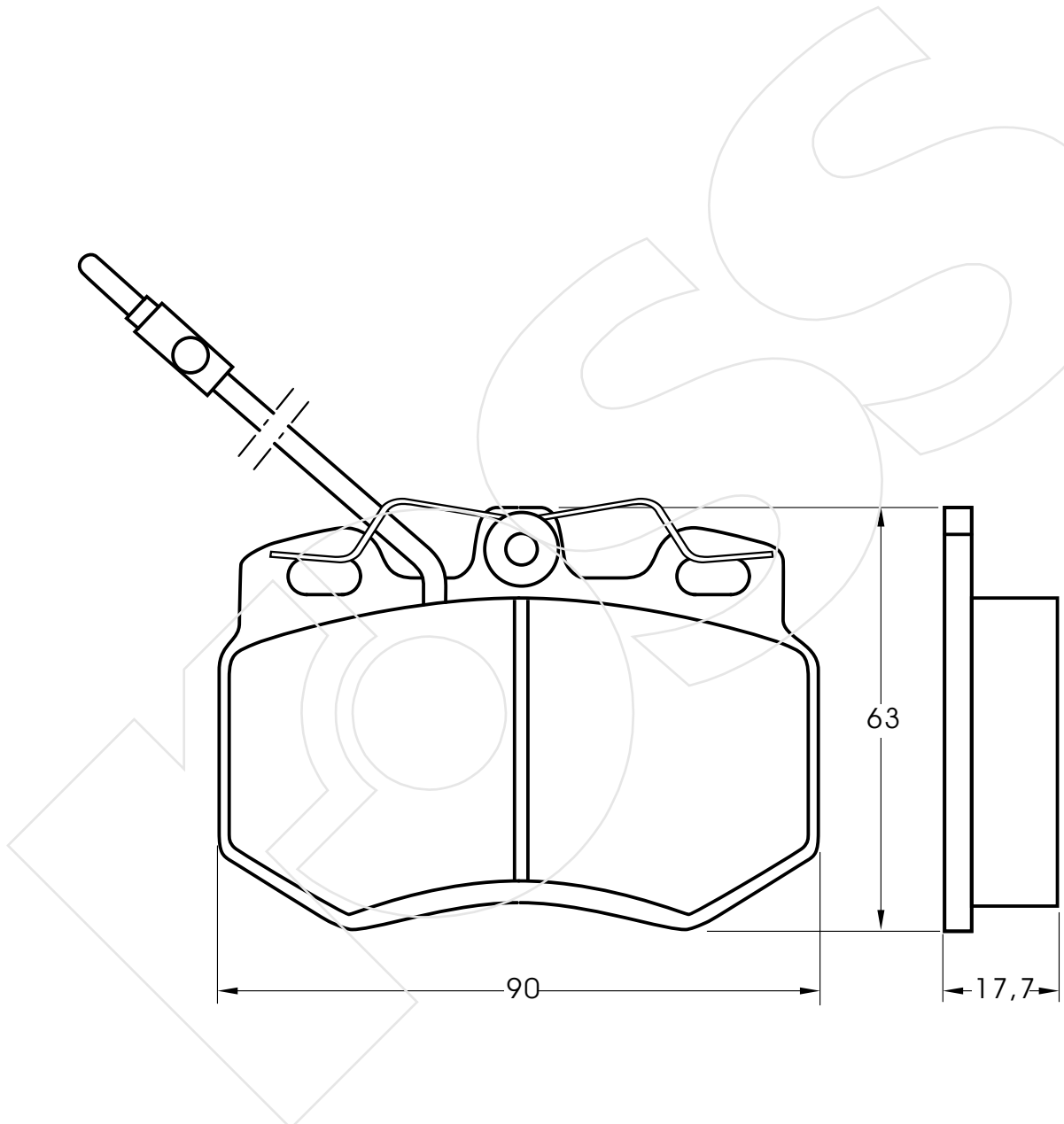
Reference in this Catalogue to other manufactures and to part numbers and other descriptions are for identification purposes only, because the above DISC BRAKE PADS are NOT ORIGINAL but with these interchangeable.

CODICE	IMPIANTO	ASSE	SCALA	APPLICAZIONI
<b>R-603</b>	GIRLING	ANTERIORE	1:1	CITROEN
CODICE COMPONENTI	N°	L(mm)	SERIE	
M0028+P1011+F3043	2+2+2	350	2 PEZZI TIPO A	
M0040+P1012+F3043	2+2+2	350	2 PEZZI TIPO B	
CODICE ACCESSORI	N°	L(mm)	NOTE	
*	*			
*	*			
*	*			
*	*			



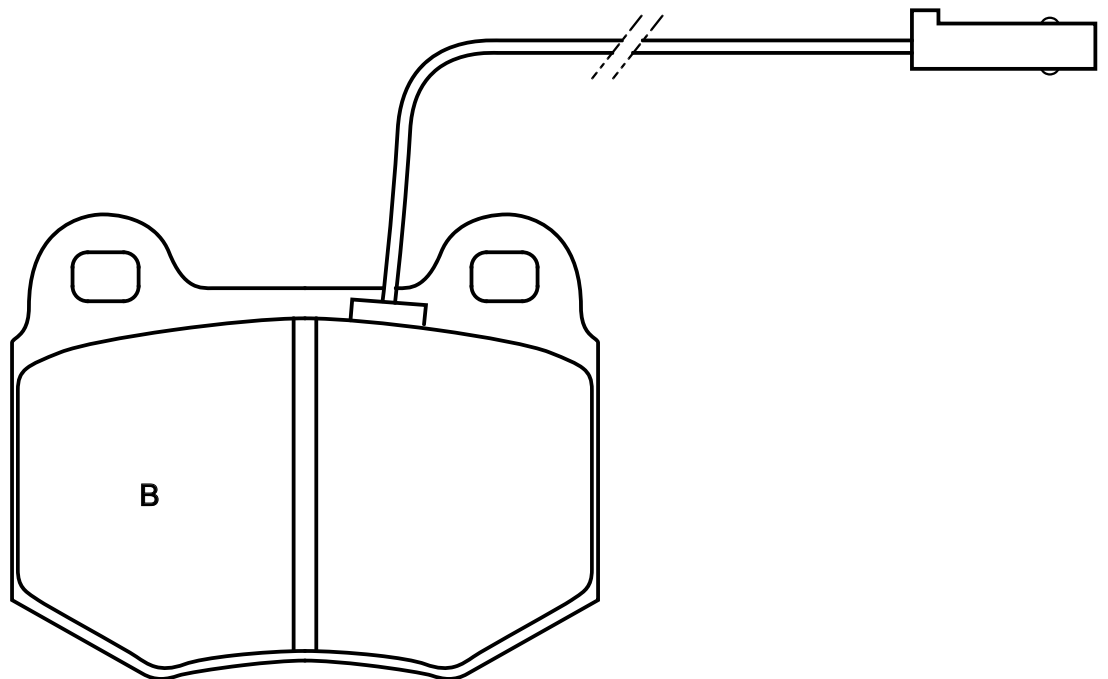
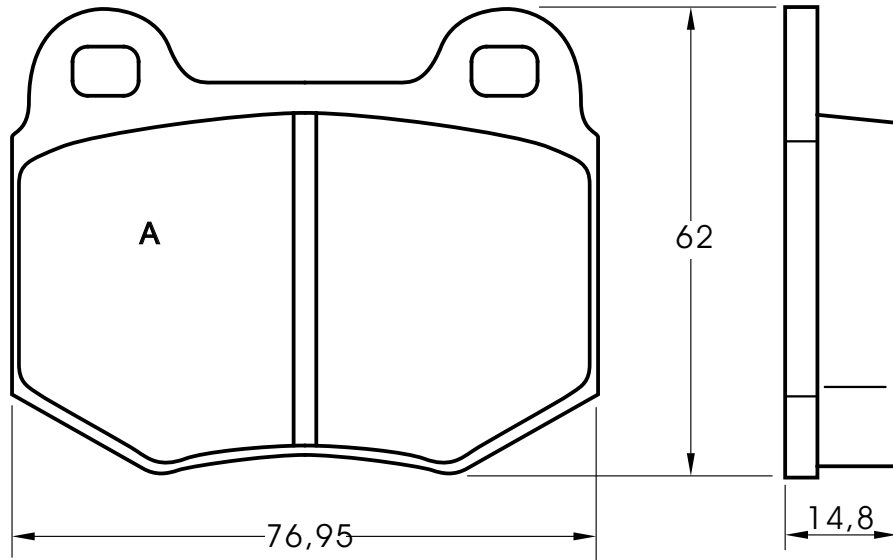
Reference in this Catalogue to other manufactures and to part numbers and other descriptions are for identification purposes only, because the above DISC BRAKE PADS are NOT ORIGINAL but with these interchangeable.

CODICE	IMPIANTO	ASSE	SCALA	APPLICAZIONI
<b>R-604</b>	GIRLING	ANTERIORE	1:1	CITROEN
CODICE COMPONENTI	N°	L(mm)	SERIE	
F3009+M0028+P1011	4+4+4	370	4 PEZZI TIPO	
*	*	*		
CODICE ACCESSORI	N°	L(mm)	NOTE	
*	*			
*	*			
*	*			
*	*			



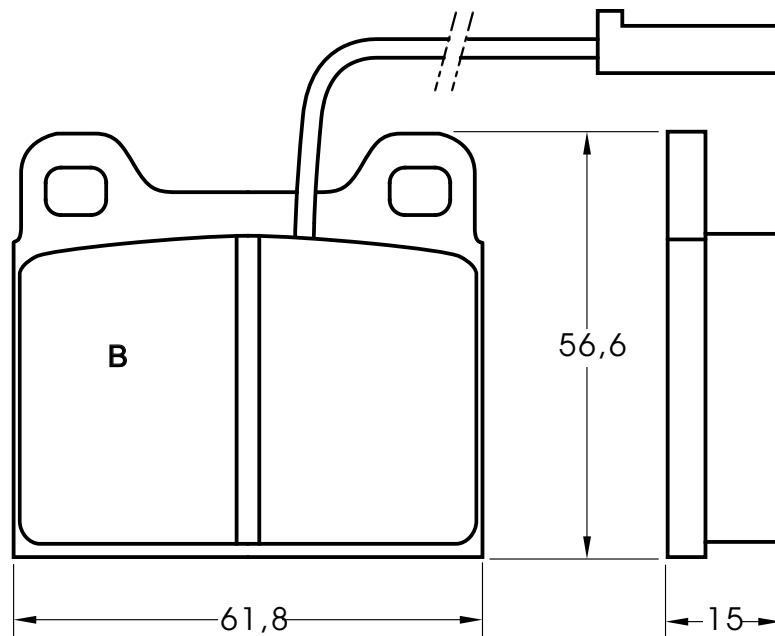
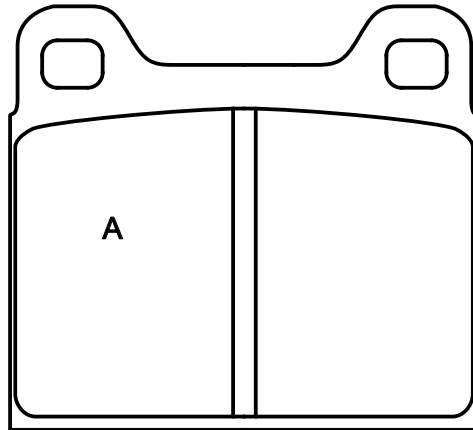
Reference in this Catalogue to other manufactures and to part numbers and other descriptions are for identification purposes only, because the above DISC BRAKE PADS are NOT ORIGINAL but with these interchangeable.

CODICE	IMPIANTO	ASSE	SCALA	APPLICAZIONI
<b>R-605</b>	ATE	ANTERIORE	1:1	ALFAROMEIO
CODICE COMPONENTI	N°	L(mm)	SERIE	
*	*	*	3 PEZZI TIPO A	
F3033	1	900	1 PEZZO TIPO B	
CODICE ACCESSORI	N°	L(mm)	NOTE	
*	*			
*	*			
*	*			
*	*			



Reference in this Catalogue to other manufactures and to part numbers and other descriptions are for identification purposes only, because the above DISC BRAKE PADS are NOT ORIGINAL but with these interchangeable.

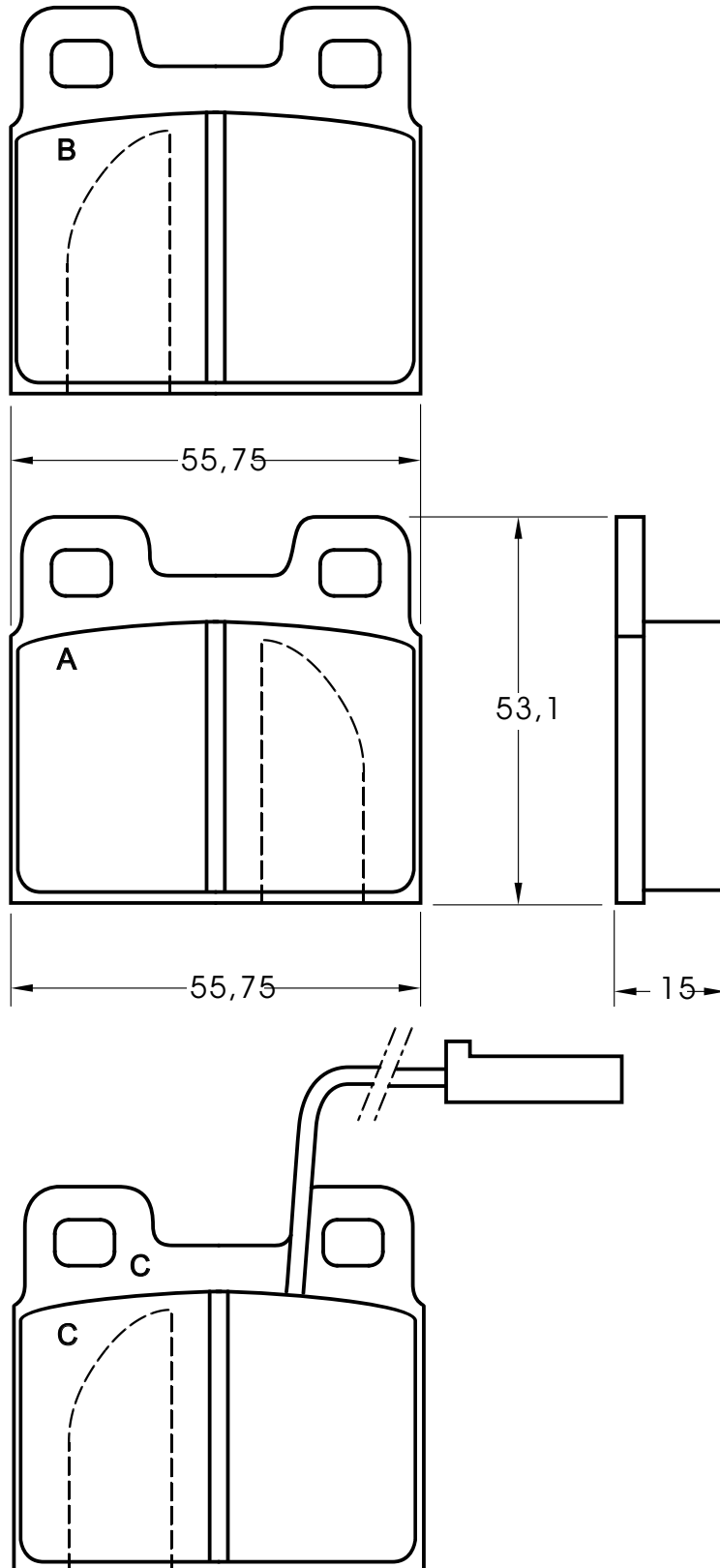
CODICE	IMPIANTO	ASSE	SCALA	APPLICAZIONI
<b>R-606</b>	ATE	ANTERIORE	1:1	ALFAROMEIO
CODICE COMPONENTI	N°	L(mm)	SERIE	
*	*	*	3 PEZZI TIPO A	
F3033	1	900	1 PEZZO TIPO B	
CODICE ACCESSORI	N°	L(mm)	NOTE	
*	*			
*	*			
*	*			
*	*			



Reference in this Catalogue to other manufactures and to part numbers and other descriptions are for identification purposes only, because the above DISC BRAKE PADS are NOT ORIGINAL but with these interchangeable.

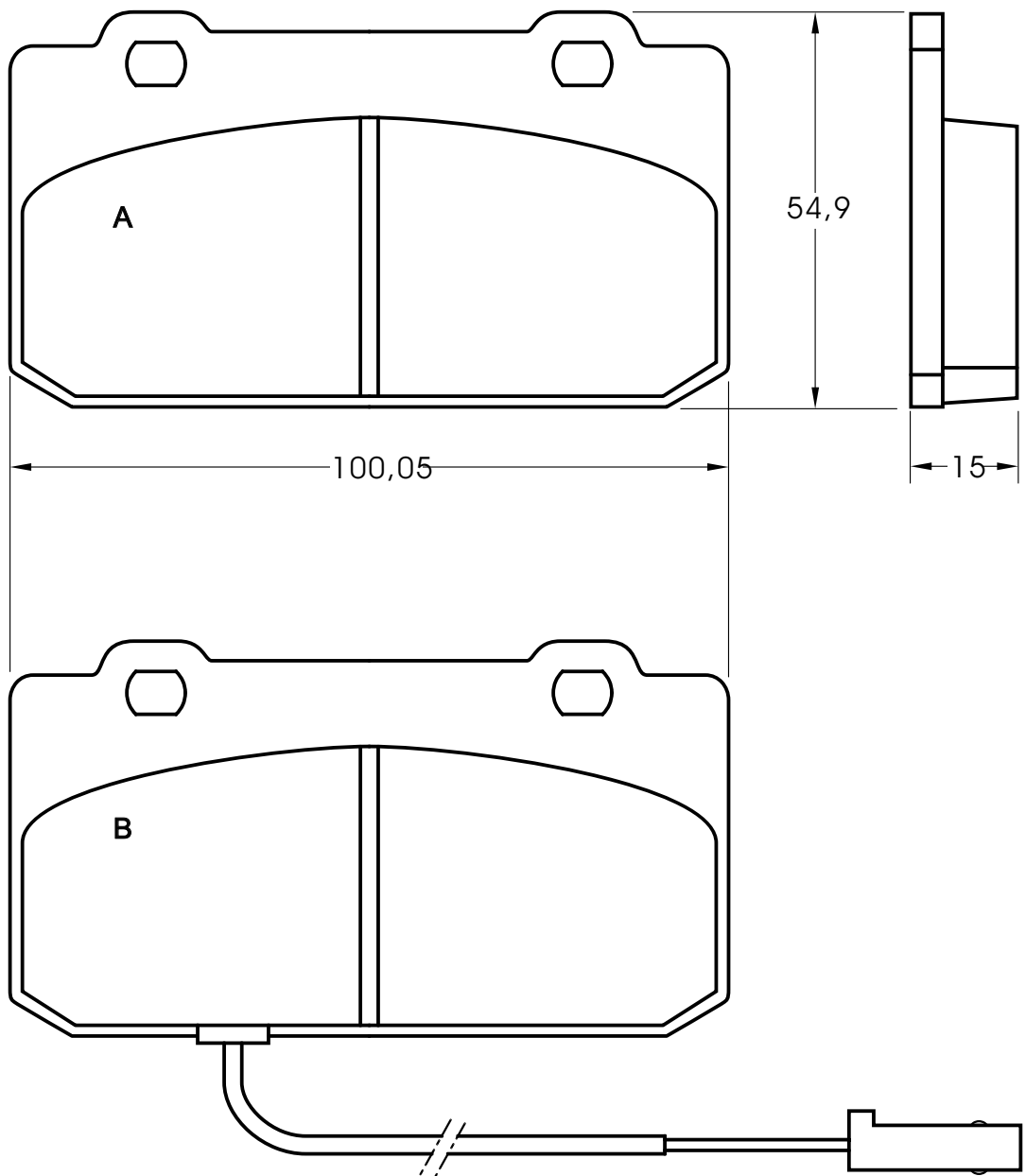


CODICE	IMPIANTO	ASSE	SCALA	APPLICAZIONI
<b>R-607</b>	ATE	POSTERIORE	1:1	ALFAROMEIO
CODICE COMPONENTI	N°	L(mm)	SERIE	
*	*	*	2 PEZZI TIPO A	
			1 PEZZO TIPO B	
F3033	1	900	1 PEZZO TIPO C	
CODICE ACCESSORI	N°	L(mm)	NOTE	
*	*			
*	*			
*	*			
*	*			



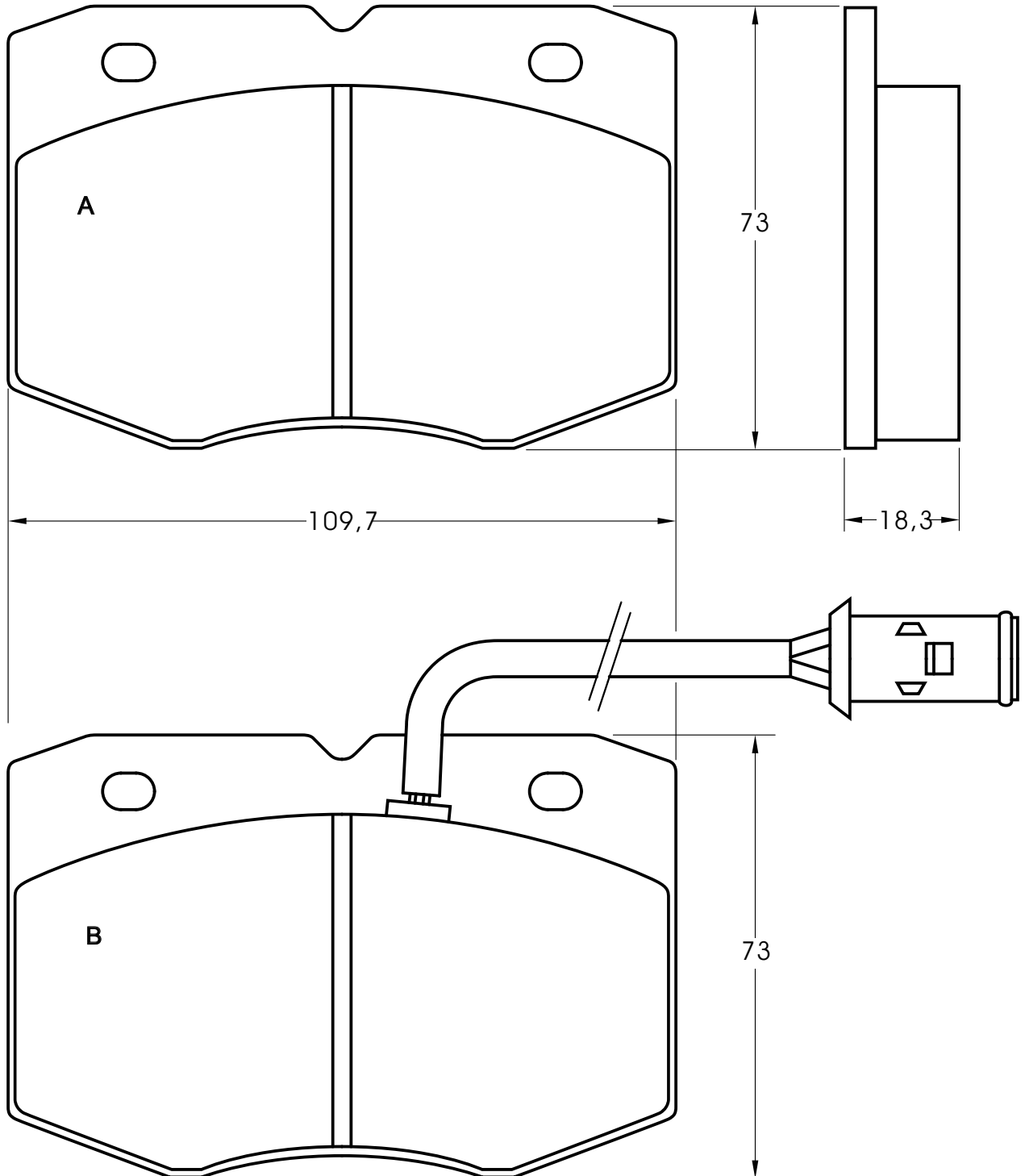
Reference in this Catalogue to other manufactures and to part numbers and other descriptions are for identification purposes only, because the above DISC BRAKE PADS are NOT ORIGINAL but with these interchangeable.

CODICE	IMPIANTO	ASSE	SCALA	APPLICAZIONI
<b>R-608</b>	ATE	ANTERIORE	1:1	ALFAROMEIO
CODICE COMPONENTI	N°	L(mm)	SERIE	
*	*	*	3 PEZZI TIPO A	
F3033	1	900	1 PEZZO TIPO B	
CODICE ACCESSORI	N°	L(mm)	NOTE	
*	*	*		
*	*	*		
*	*	*		
*	*	*		



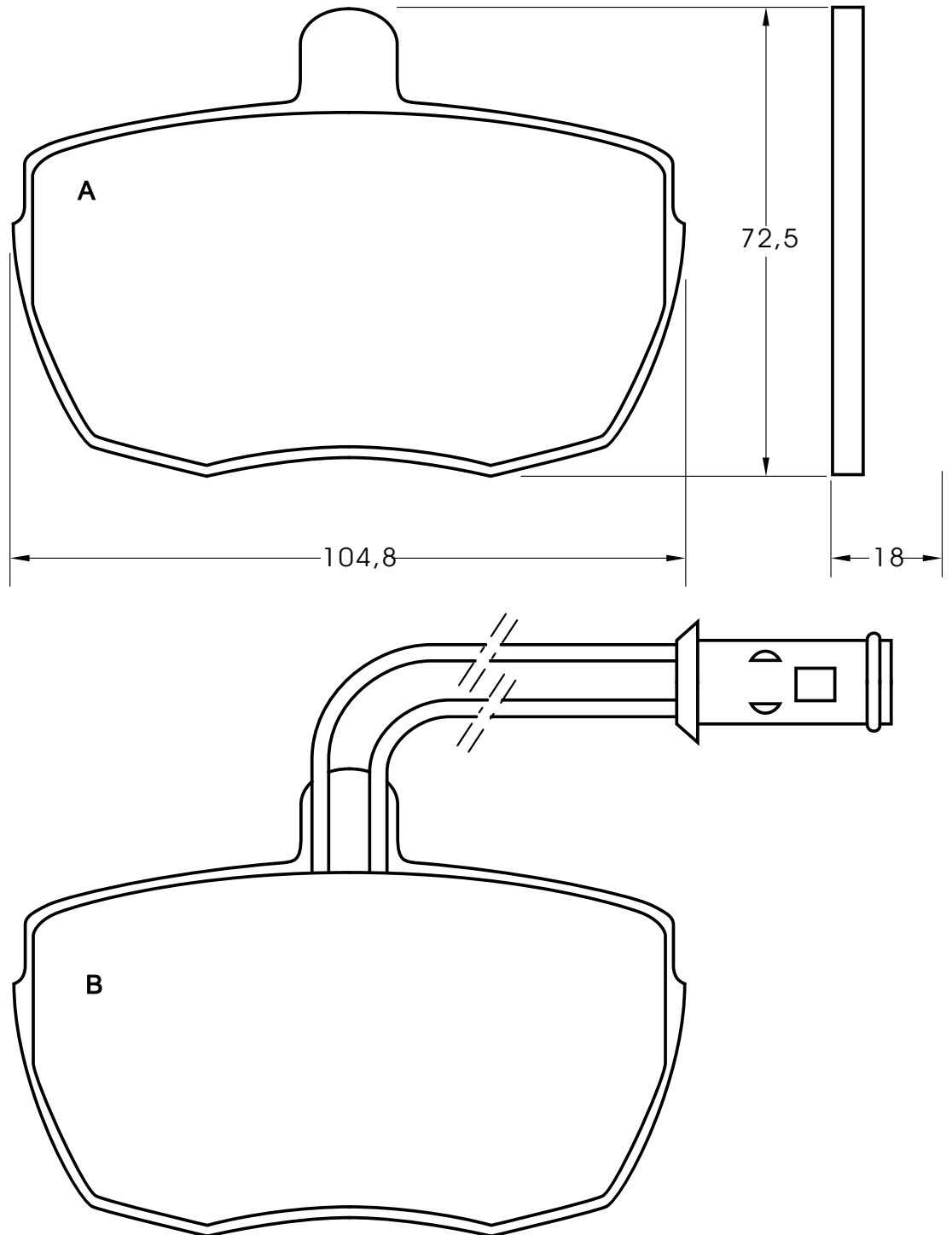
Reference in this Catalogue to other manufactures and to part numbers and other descriptions are for identification purposes only, because the above DISC BRAKE PADS are NOT ORIGINAL but with these interchangeable.

CODICE	IMPIANTO	ASSE	SCALA	APPLICAZIONI
<b>R-609</b>	BREMO	ANTERIORE	1:1	FIAT
CODICE COMPONENTI	N°	L(mm)	SERIE	
*	*	*	2 PEZZI TIPO A	
F3029	2	225	2 PEZZI TIPO B	
CODICE ACCESSORI	N°	L(mm)	NOTE	
*	*	*		
*	*	*		
*	*	*		
*	*	*		



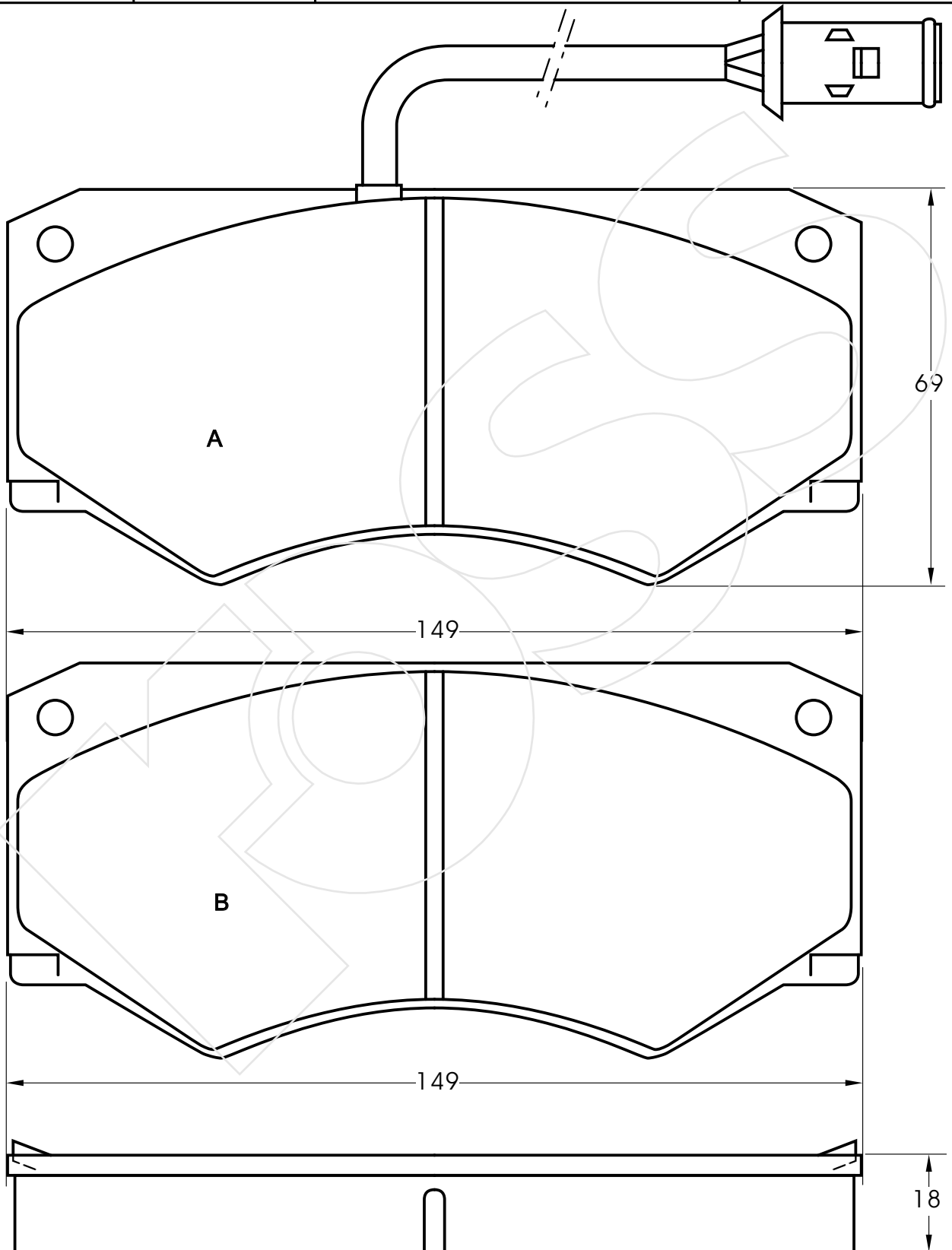
Reference in this Catalogue to other manufactures and to part numbers and other descriptions are for identification purposes only, because the above DISC BRAKE PADS are NOT ORIGINAL but with these interchangeable.

CODICE	IMPIANTO	ASSE	SCALA	APPLICAZIONI
<b>R-610</b>	LOCKEED	ANTERIORE	1:1	FIAT
CODICE COMPONENTI	N°	L(mm)	SERIE	
*	*	*	2 PEZZI TIPO A	
F3011	2	170	2 PEZZI TIPO B	
CODICE ACCESSORI	N°	L(mm)	NOTE	
*	*			
*	*			
*	*			
*	*			



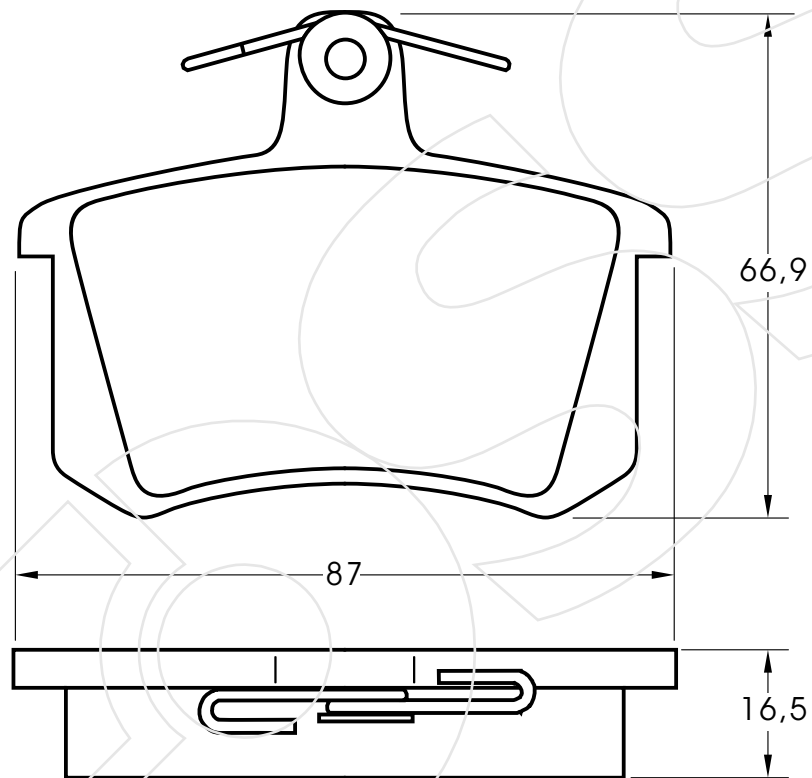
Reference in this Catalogue to other manufactures and to part numbers and other descriptions are for identification purposes only, because the above DISC BRAKE PADS are NOT ORIGINAL but with these interchangeable.

CODICE	IMPIANTO	ASSE	SCALA	APPLICAZIONI
<b>R-611</b>	PERROT	ANTERIORE	1:1	FIAT
CODICE COMPONENTI	N°	L(mm)	SERIE	
*	*	*	2 PEZZI TIPO A	
F3029	2	225	2 PEZZI TIPO B	
CODICE ACCESSORI	N°	L(mm)	NOTE	
*	*	*		
*	*	*		
*	*	*		
*	*	*		



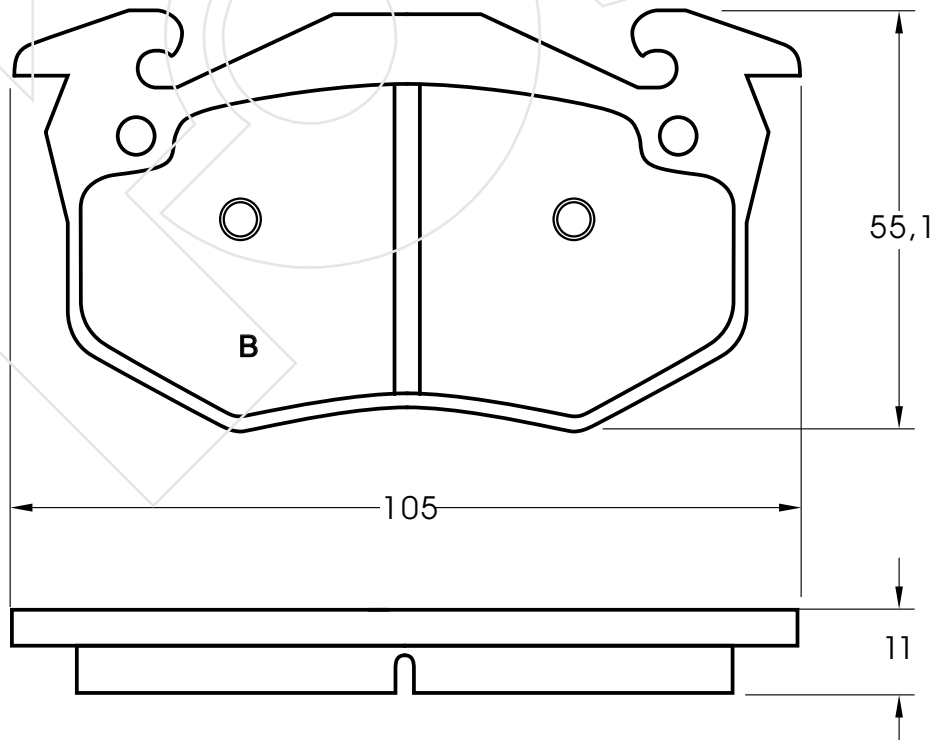
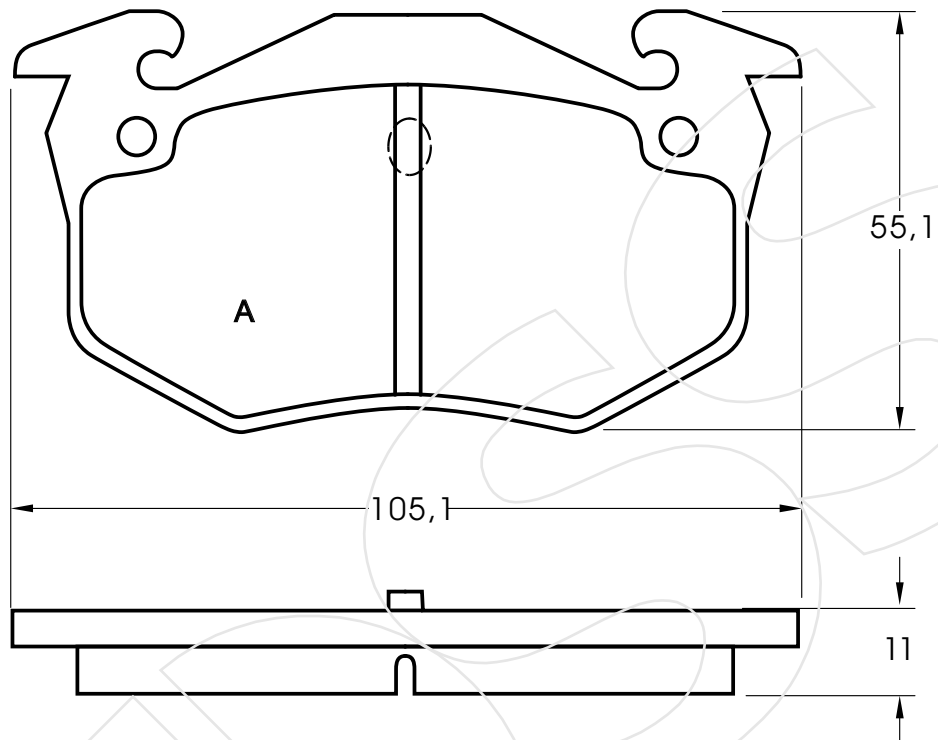
Reference in this Catalogue to other manufactures and to part numbers and other descriptions are for identification purposes only, because the above DISC BRAKE PADS are NOT ORIGINAL but with these interchangeable.

CODICE	IMPIANTO	ASSE	SCALA	APPLICAZIONI
<b>R-612</b>	GIRLING	POSTERIORE	1:1	ALFAROME AUDI
CODICE COMPONENTI	N°	L(mm)	SERIE	
M0013+P1011	4+4	*	4 PEZZI TIPO A	
*	*			
CODICE ACCESSORI	N°	L(mm)	NOTE	
*	*			
*	*			
*	*			
*	*			



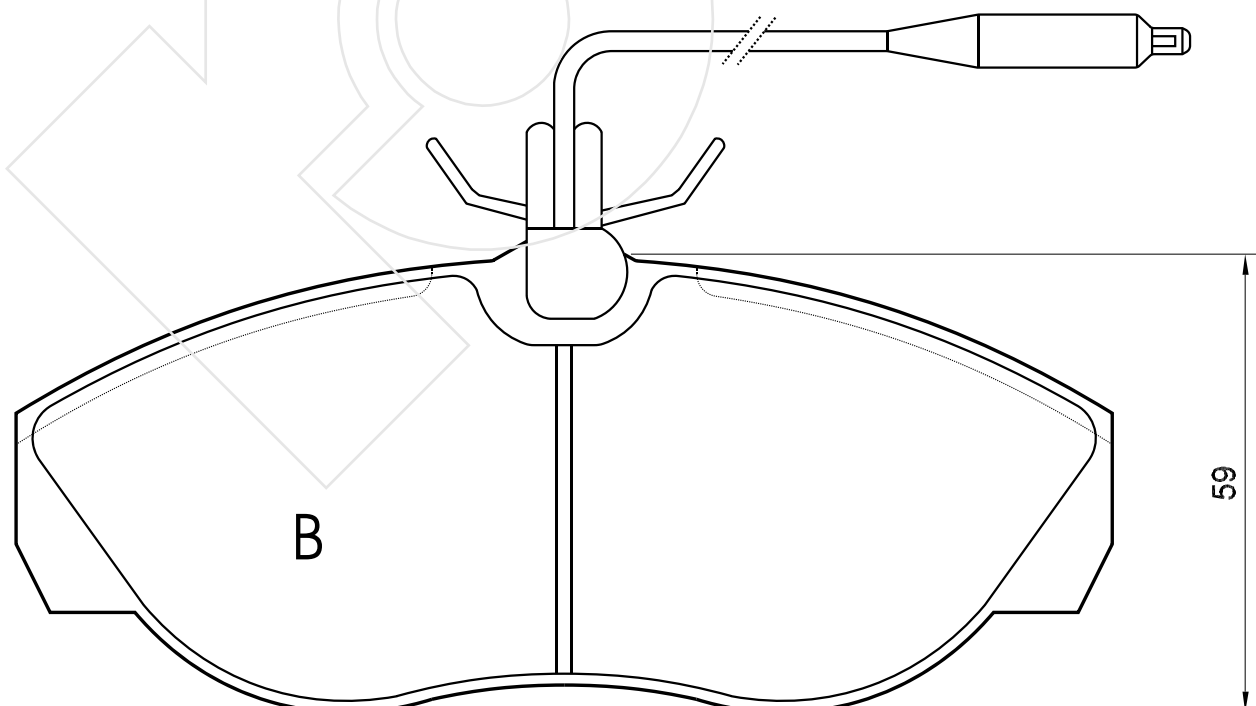
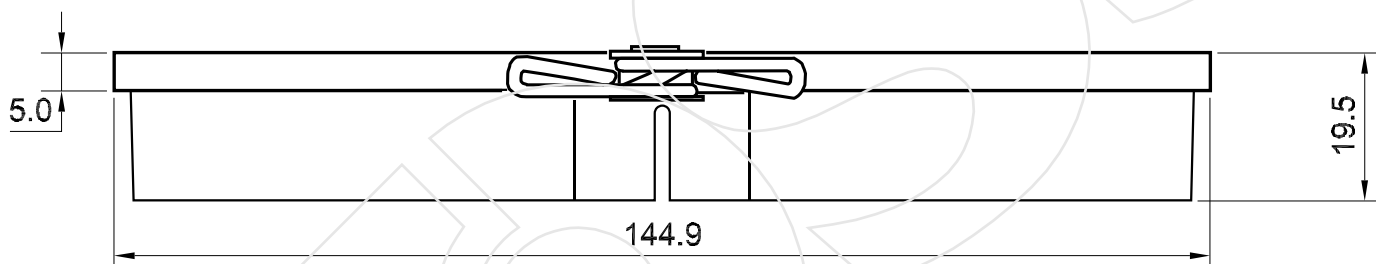
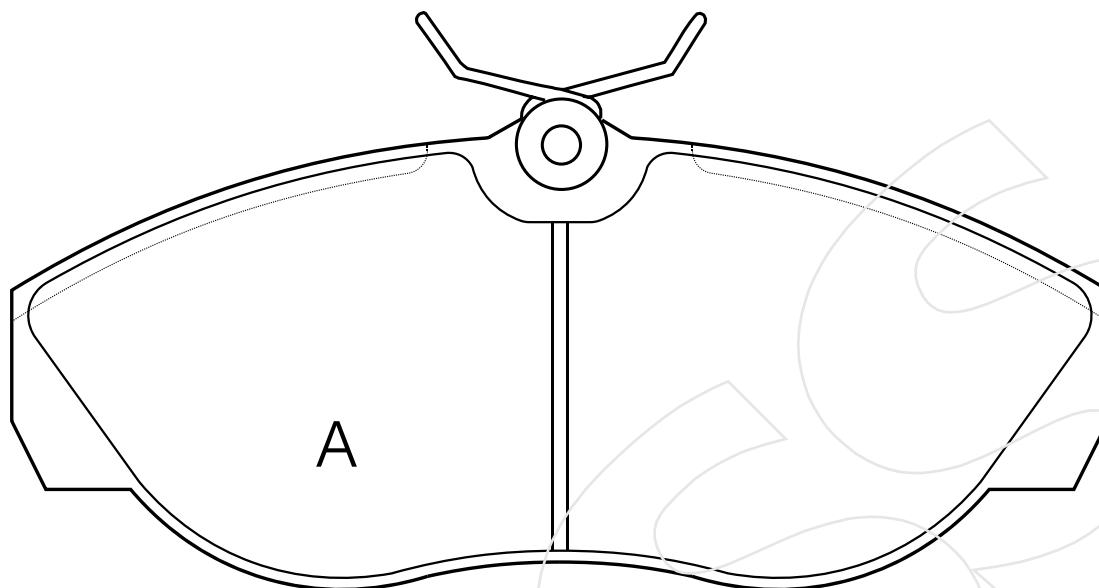
Reference in this Catalogue to other manufactures and to part numbers and other descriptions are for identification purposes only, because the above DISC BRAKE PADS are NOT ORIGINAL but with these interchangeable.

CODICE	IMPIANTO	ASSE	SCALA	APPLICAZIONI
<b>R-613</b>	BENDIX	POSTERIORE	1:1	RENAULT
CODICE COMPONENTI	N°	L(mm)	SERIE	
*	*	*	2 PEZZI TIPO A	
*	*	*	2 PEZZI TIPO B	
P1010 KIT	4			
CODICE ACCESSORI	N°	L(mm)	NOTE	
*	*	*		
*	*	*		
*	*	*		
*	*	*		



Reference in this Catalogue to other manufactures and to part numbers and other descriptions are for identification purposes only, because the above DISC BRAKE PADS are NOT ORIGINAL but with these interchangeable.

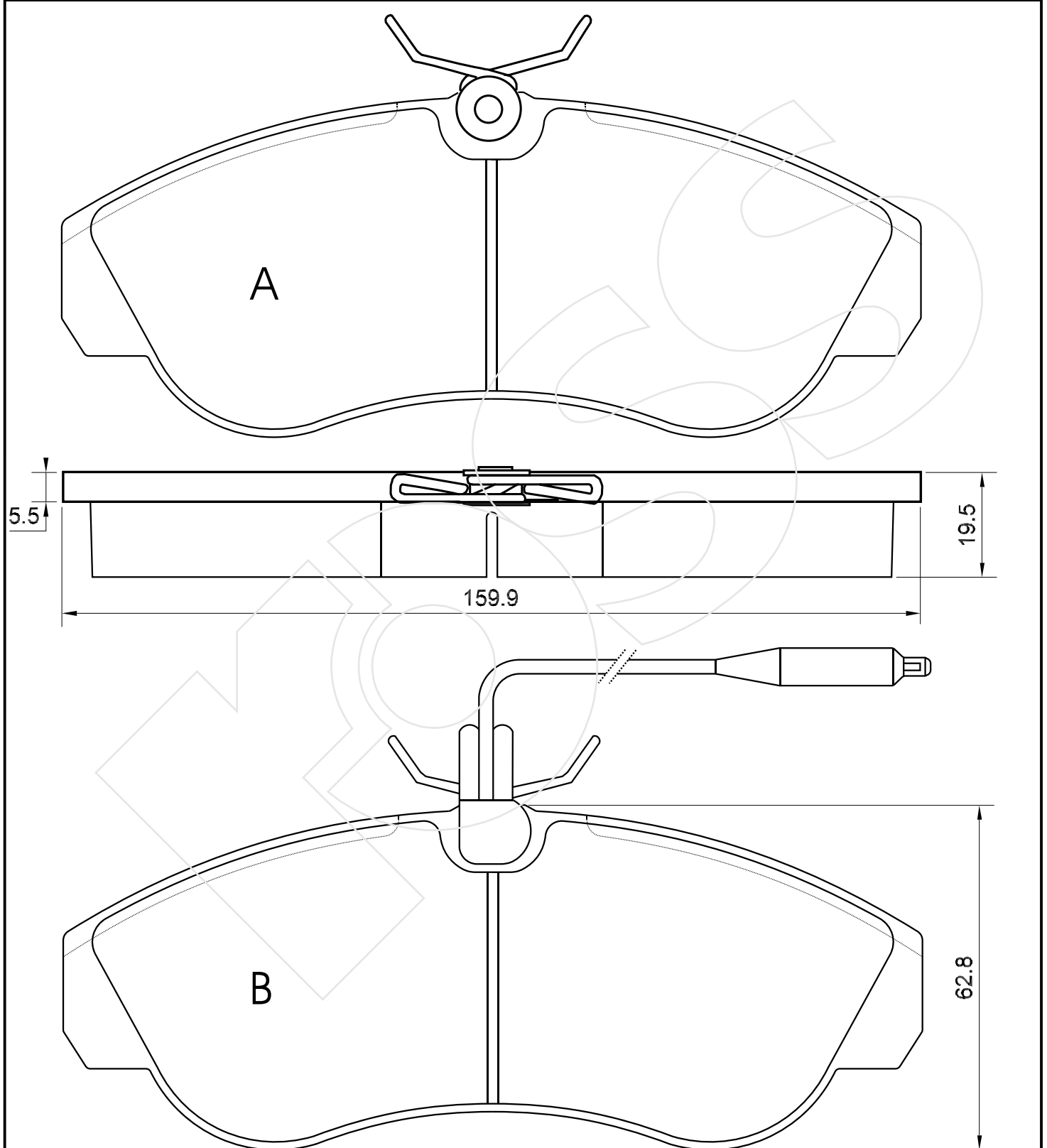
CODICE	IMPIANTO		ASSE	SCALA	APPLICAZIONI
<b>R-614</b>	GIRLING		ANTERIORE	100%	CITROEN FIAT PEUGEOT
CODICE COMPONENTI	N°	L(mm)	SERIE		
M0015	2	*	2 PEZZI SENZA SEGNALATORE		
M0015+F3046	2+2	200	2 PEZZI CON SEGNALATORE		
*	*	*	*		
*	*	*	*		
*	*	*	*		
CODICE ACCESSORI	N°	L(mm)	NOTE		
*	*	*			
*	*	*			
*	*	*			
*	*	*			



Reference in this Catalogue to other manufactures and to part numbers and other descriptions are for identification purposes only, because the above DISC BRAKE PADS are NOT ORIGINAL but with these interchangeable.

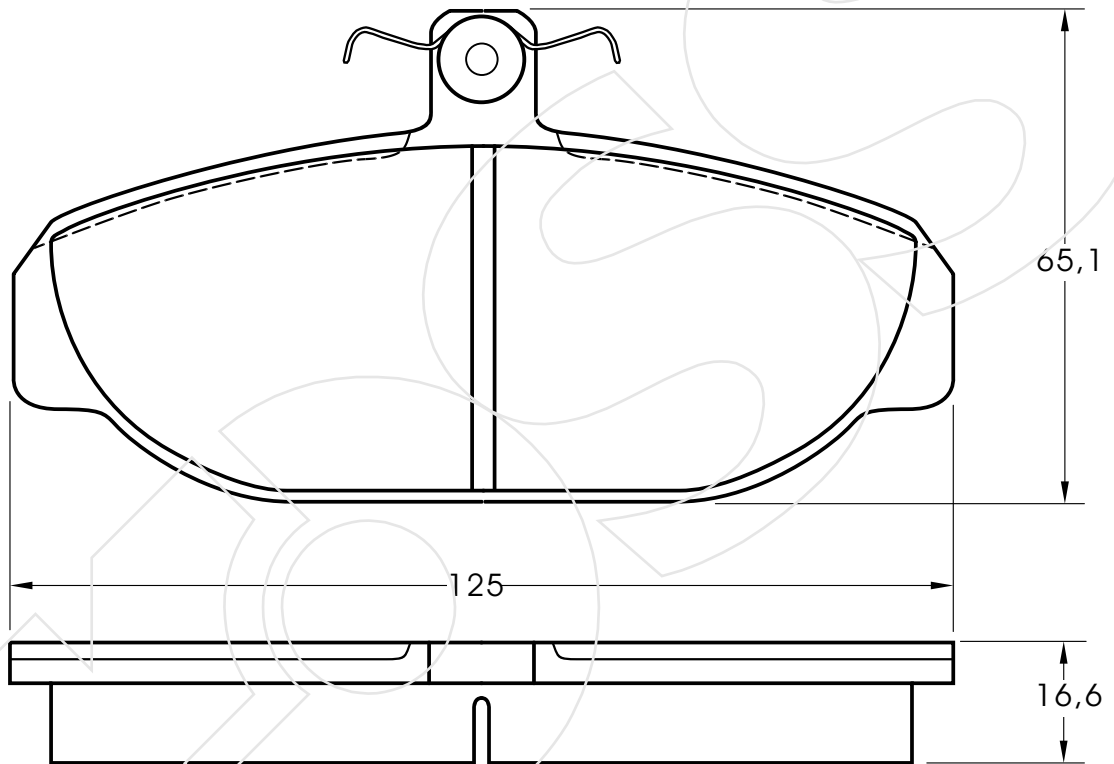


CODICE	IMPIANTO		ASSE	SCALA	APPLICAZIONI
<b>R-615</b>	GIRLING		ANTERIORE	100%	CITROEN FIAT PEUGEOT
CODICE COMPONENTI	N°	L(mm)	SERIE		
M0015	2	*	2 PEZZI SENZA SEGNALATORE		
M0015+F3046	2+2	200	2 PEZZI CON SEGNALATORE		
*	*	*	*		
*	*	*	*		
CODICE ACCESSORI	N°	L(mm)	NOTE		
*	*	*			
*	*	*			
*	*	*			
*	*	*			



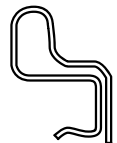
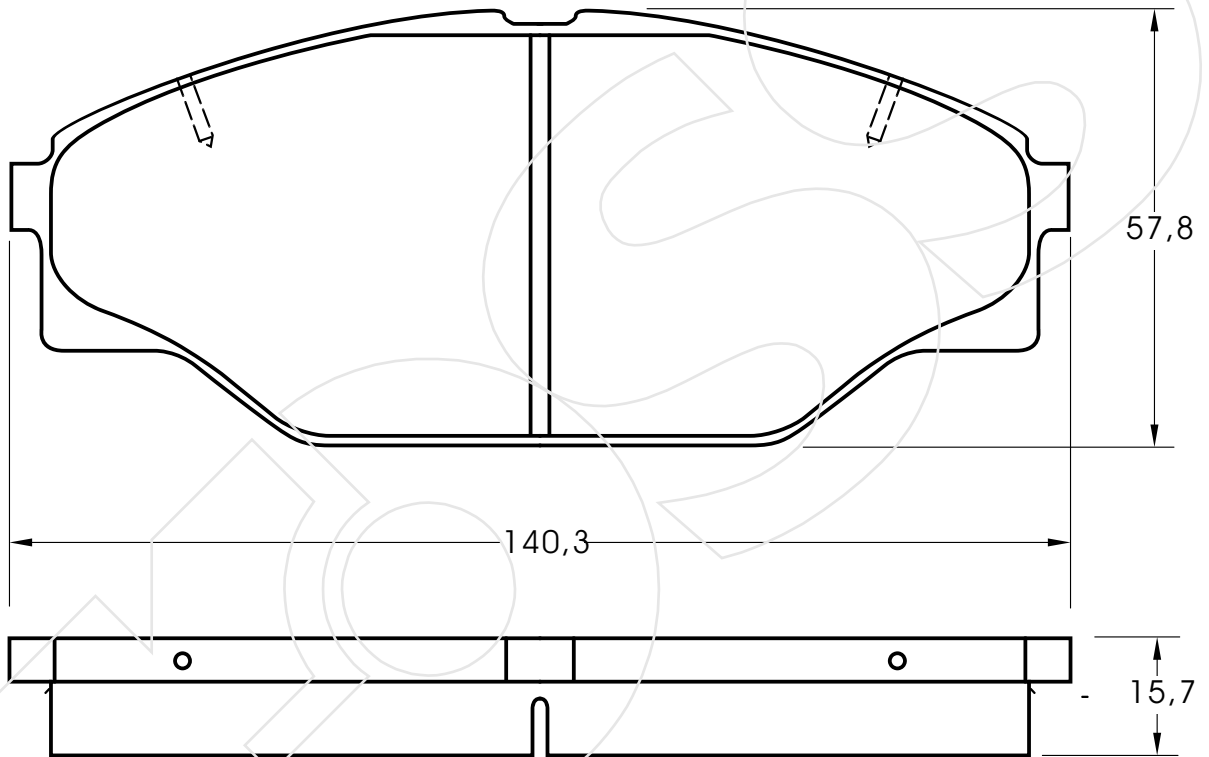
Reference in this Catalogue to other manufactures and to part numbers and other descriptions are for identification purposes only, because the above DISC BRAKE PADS are NOT ORIGINAL but with these interchangeable.

CODICE	IMPIANTO		ASSE	SCALA	APPLICAZIONI
<b>R-616</b>	GIRLING		ANTERIORE	1:1	VOLVO
CODICE COMPONENTI	N°	L(mm)	SERIE		
M0030+P1012	4+4	*	4 PEZZI		
*	*				
*	*				
CODICE ACCESSORI	N°	L(mm)	NOTE		
*	*				
*	*				
*	*				
*	*				



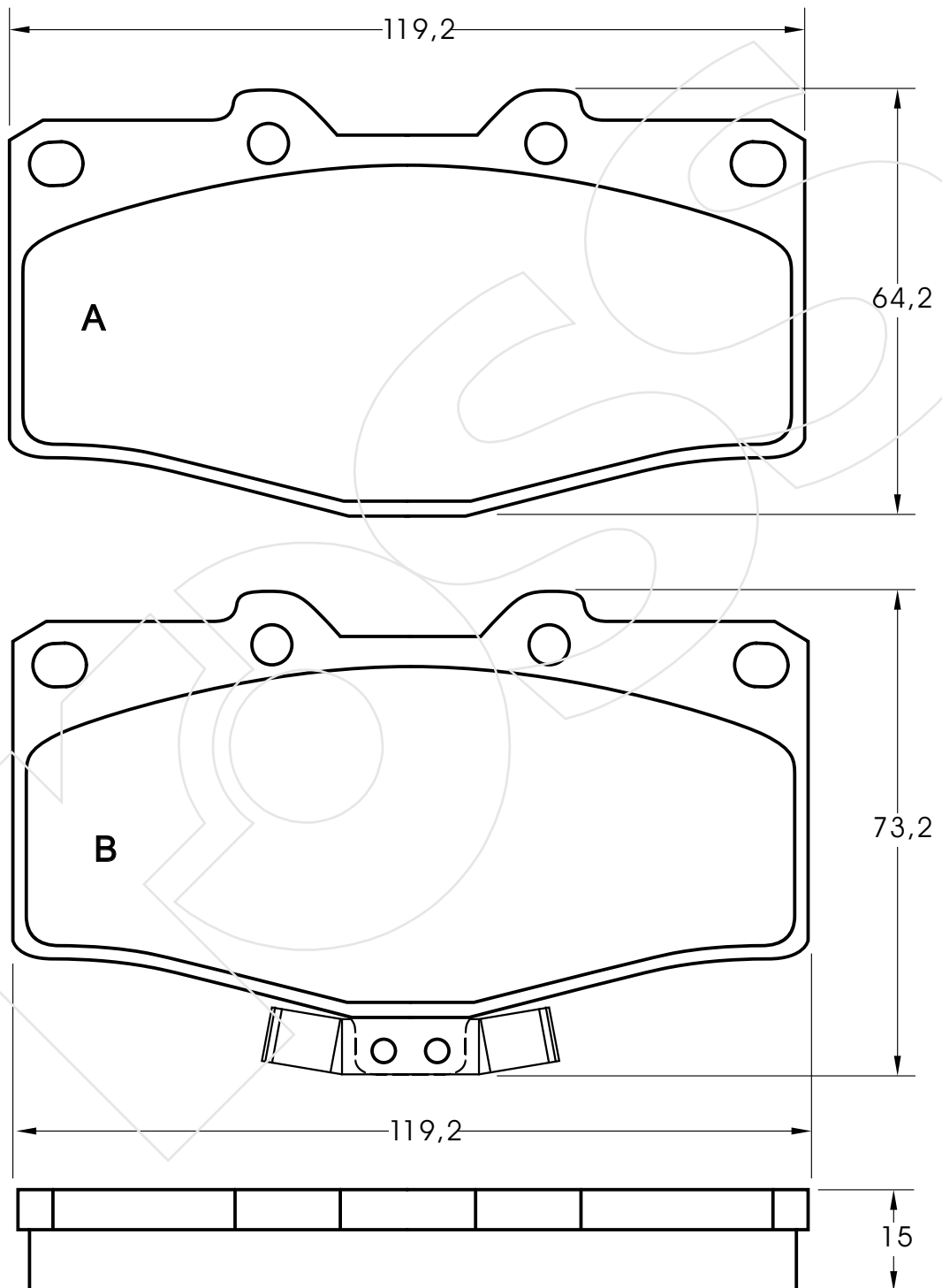
Reference in this Catalogue to other manufactures and to part numbers and other descriptions are for identification purposes only, because the above DISC BRAKE PADS are NOT ORIGINAL but with these interchangeable.

CODICE	IMPIANTO	ASSE	SCALA	APPLICAZIONI
<b>R-617</b>	AKEBONO	ANTERIORE	1:1	TOYOTA
CODICE COMPONENTI	N°	L(mm)	SERIE	
*	*	*	4 PEZZI	
*	*			
*	*			
CODICE ACCESSORI	N°	L(mm)	NOTE	
M0023	8		*	
*	*		*	
*	*		*	
*	*		*	



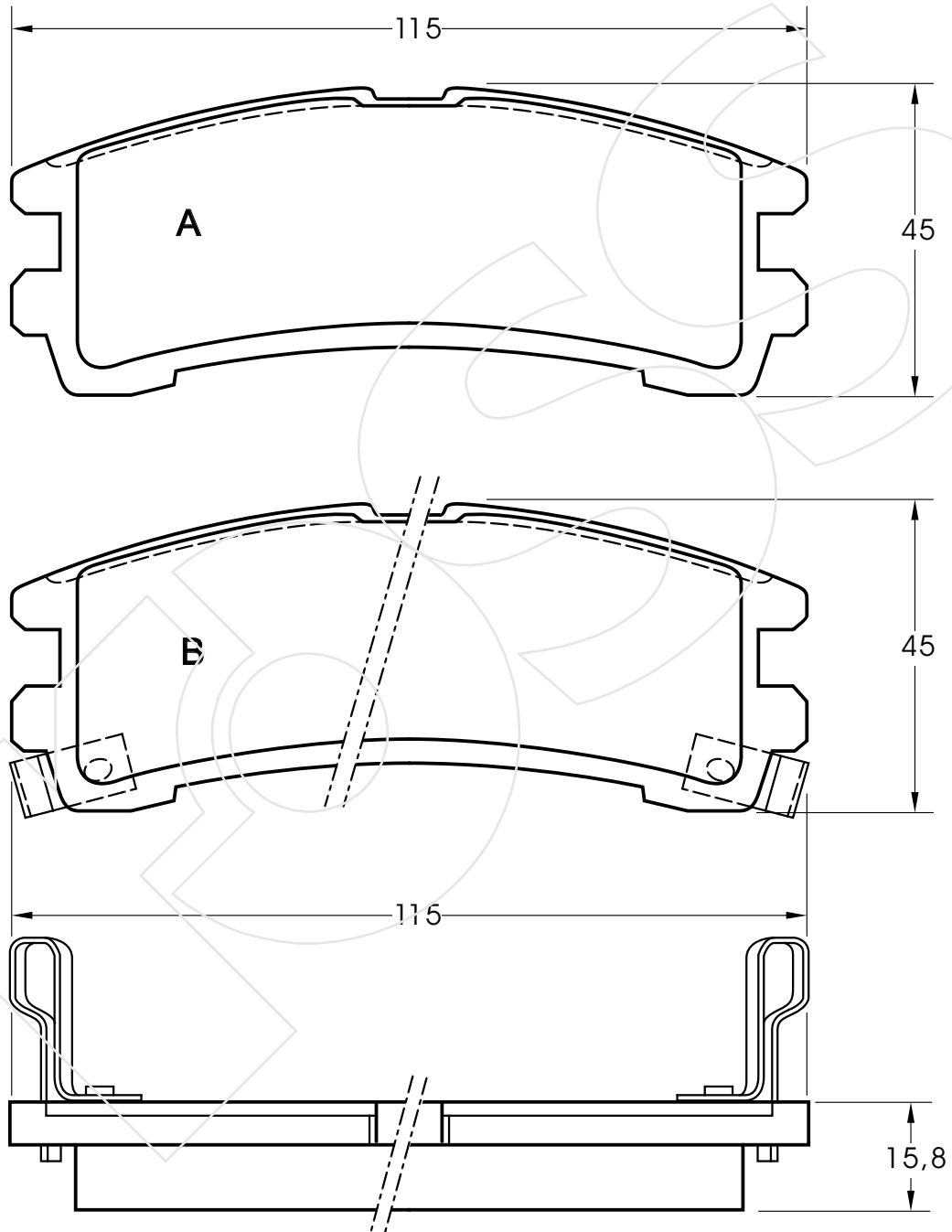
Reference in this Catalogue to other manufactures and to part numbers and other descriptions are for identification purposes only, because the above DISC BRAKE PADS are NOT ORIGINAL but with these interchangeable.

CODICE	IMPIANTO	ASSE	SCALA	APPLICAZIONI
<b>R-618</b>	AKEBONO	ANTERIORE	1:1	TOYOTA
CODICE COMPONENTI	N°	L(mm)	SERIE	
*	*	*	2 PEZZI TIPO A	
M0078	2		2 PEZZI TIPO B	
*	*			
CODICE ACCESSORI	N°	L(mm)	NOTE	
			*	
*	*		*	
*	*		*	
*	*		*	



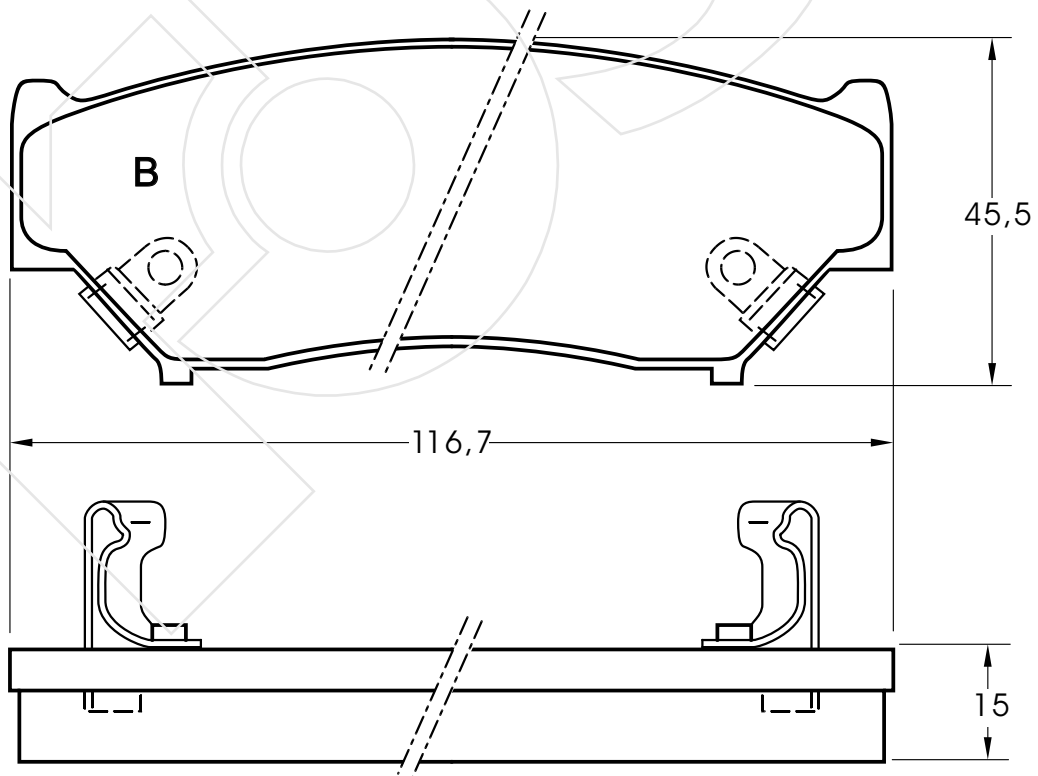
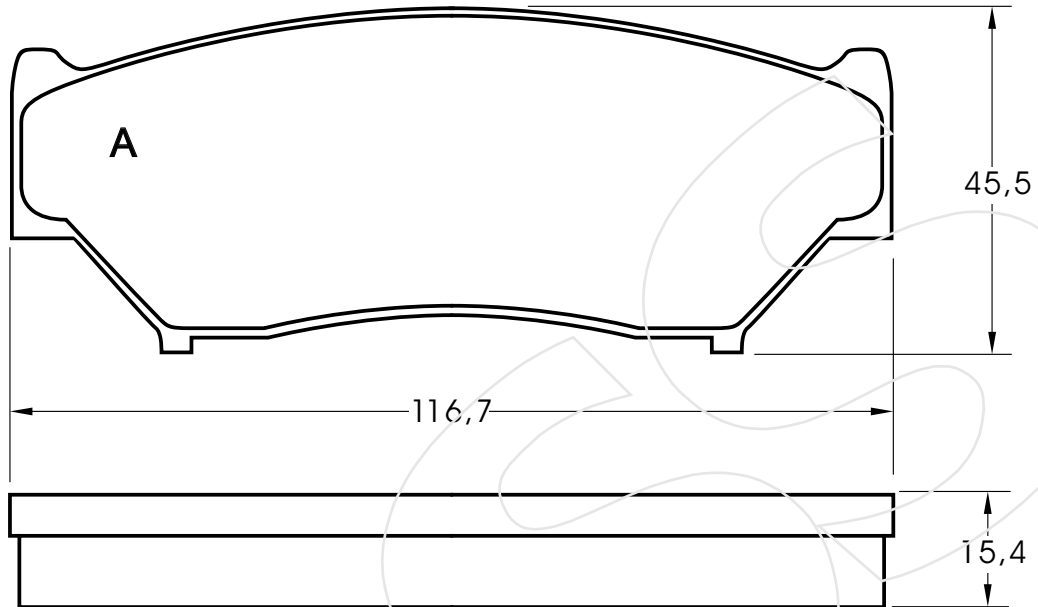
Reference in this Catalogue to other manufactures and to part numbers and other descriptions are for identification purposes only, because the above DISC BRAKE PADS are NOT ORIGINAL but with these interchangeable.

CODICE	IMPIANTO		ASSE	SCALA	APPLICAZIONI
<b>R-619</b>	SUMITOMO		ANTERIORE	1:1	NISSAN-DATSUN
CODICE COMPONENTI	N°	L(mm)	SERIE		
*	*	*	2 PEZZI TIPO A		
M0069	2		2 PEZZI TIPO B		
*	*				
CODICE ACCESSORI	N°	L(mm)	NOTE		
*	*		*		
*	*		*		
*	*		*		
*	*		*		



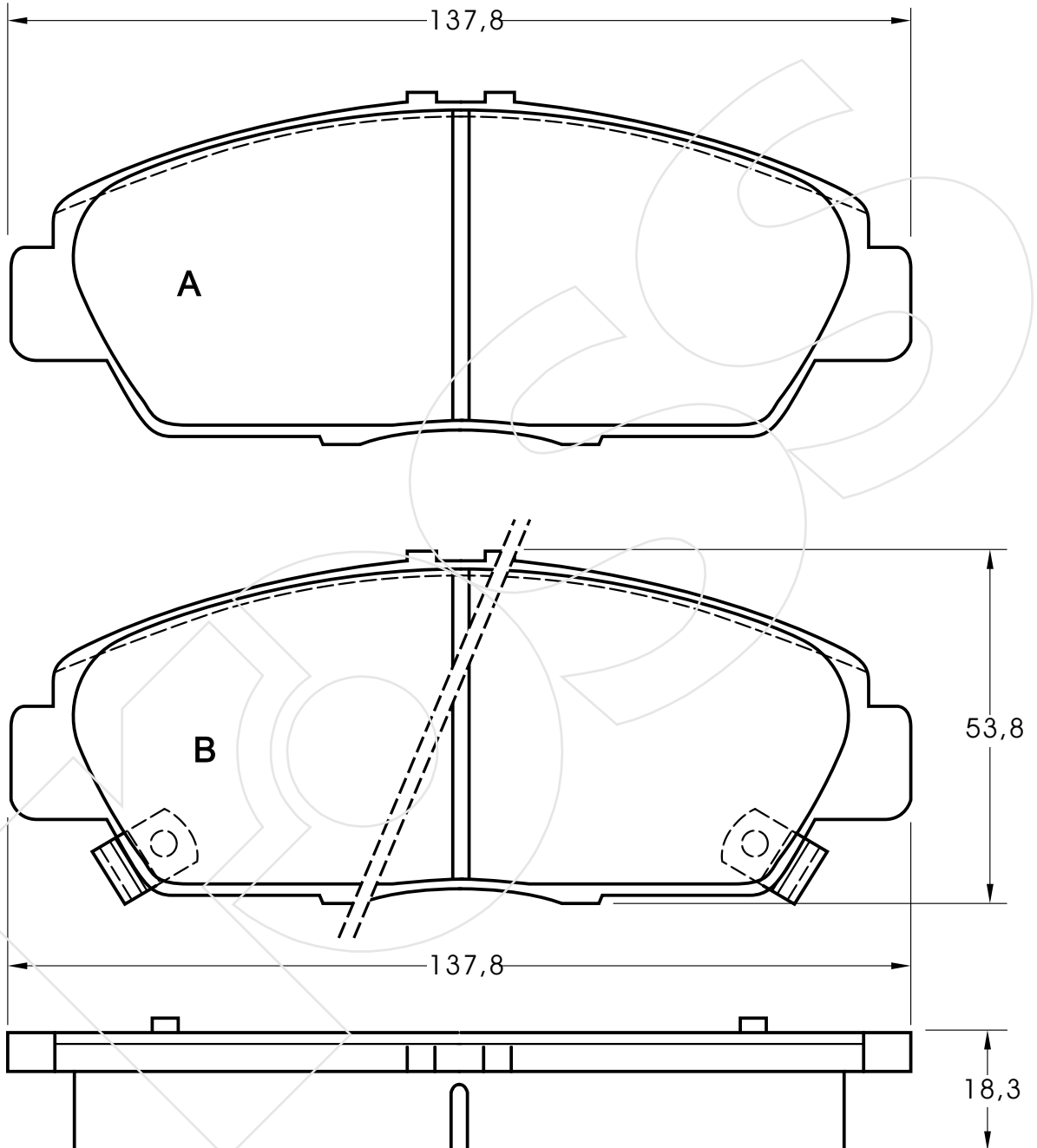
Reference in this Catalogue to other manufactures and to part numbers and other descriptions are for identification purposes only, because the above DISC BRAKE PADS are NOT ORIGINAL but with these interchangeable.

CODICE	IMPIANTO		ASSE	SCALA	APPLICAZIONI
<b>R-620</b>	AKEBONO		ANTERIORE	1:1	SUZUKI
CODICE COMPONENTI	N°	L(mm)	SERIE		
*	*	*	2 PEZZI TIPO A		
M0074	2		2 PEZZI TIPO B		
*	*				
CODICE ACCESSORI	N°	L(mm)	NOTE		
			*		
*	*		*		
*	*		*		
*	*		*		



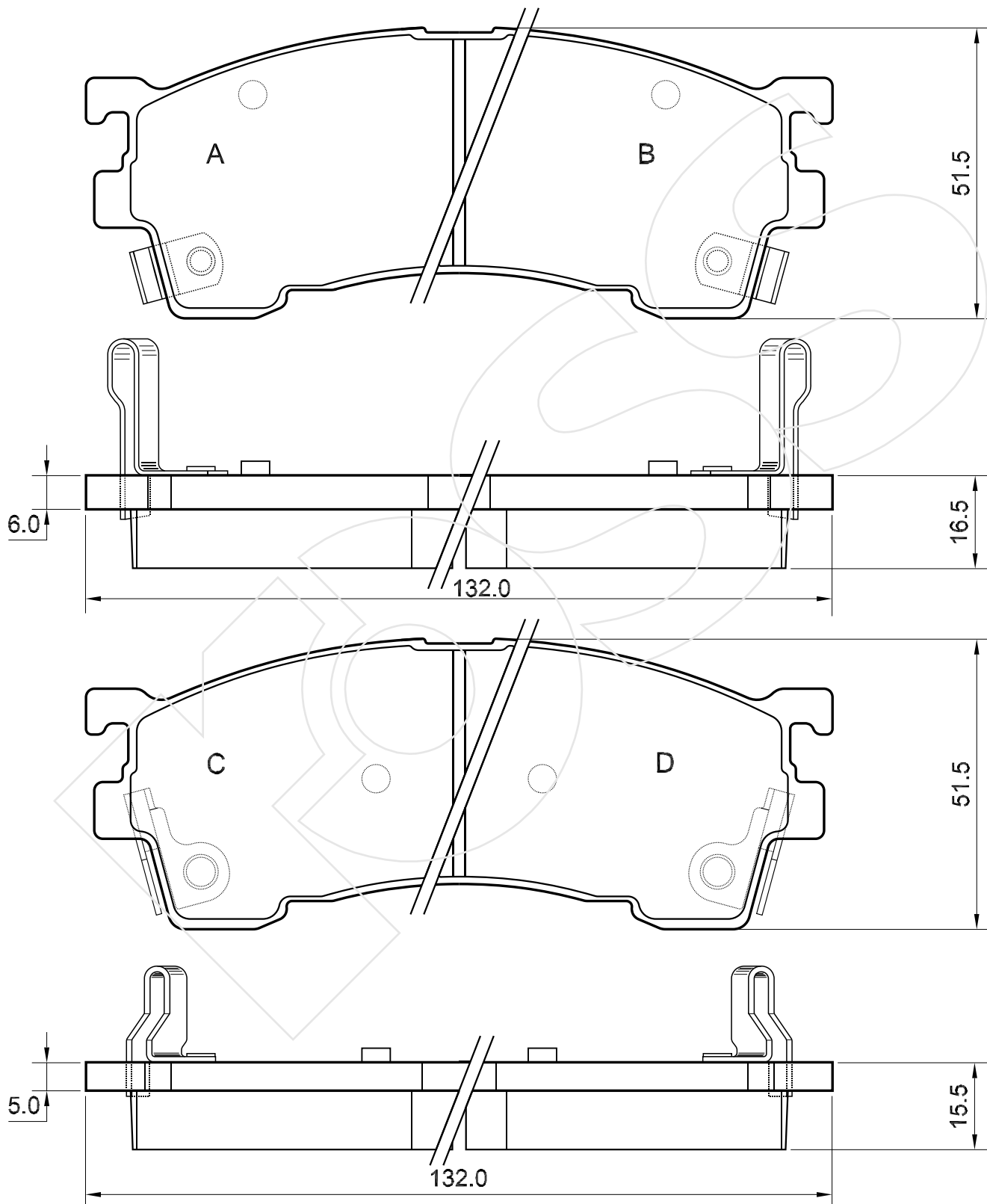
Reference in this Catalogue to other manufactures and to part numbers and other descriptions are for identification purposes only, because the above DISC BRAKE PADS are NOT ORIGINAL but with these interchangeable.

CODICE	IMPIANTO		ASSE	SCALA	APPLICAZIONI
<b>R-621</b>	AKEBONO		ANTERIORE	1:1	HONDA ROVER
CODICE COMPONENTI	N°	L(mm)	SERIE		
*	*	*	2 PEZZI TIPO A		
M0056	2		2 PEZZI TIPO B		
*	*				
CODICE ACCESSORI	N°	L(mm)	NOTE		
*	*		*		
*	*		*		
*	*		*		



Reference in this Catalogue to other manufactures and to part numbers and other descriptions are for identification purposes only, because the above DISC BRAKE PADS are NOT ORIGINAL but with these interchangeable.

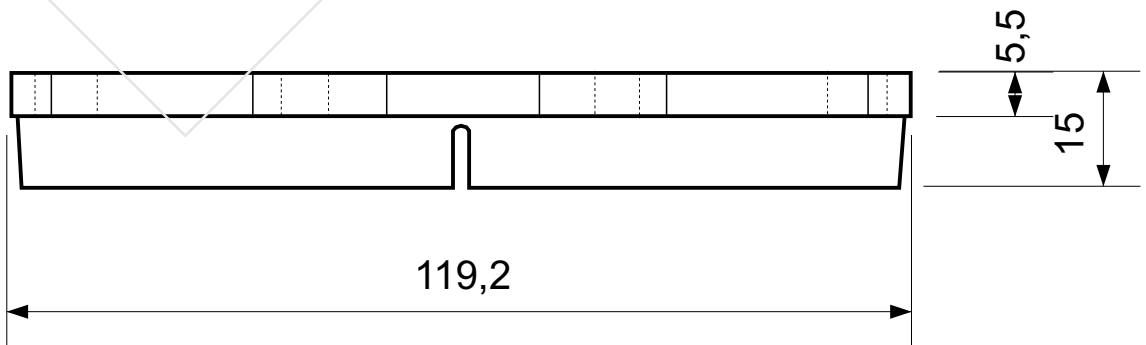
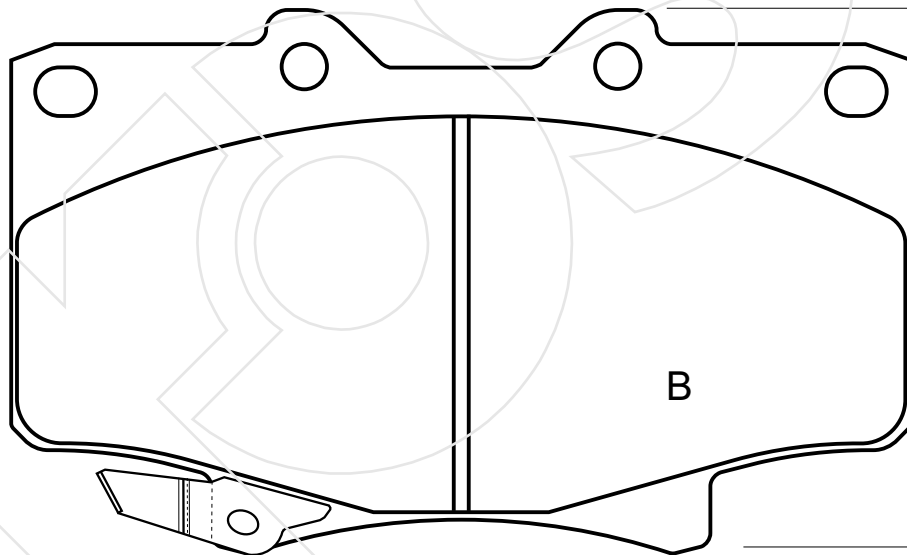
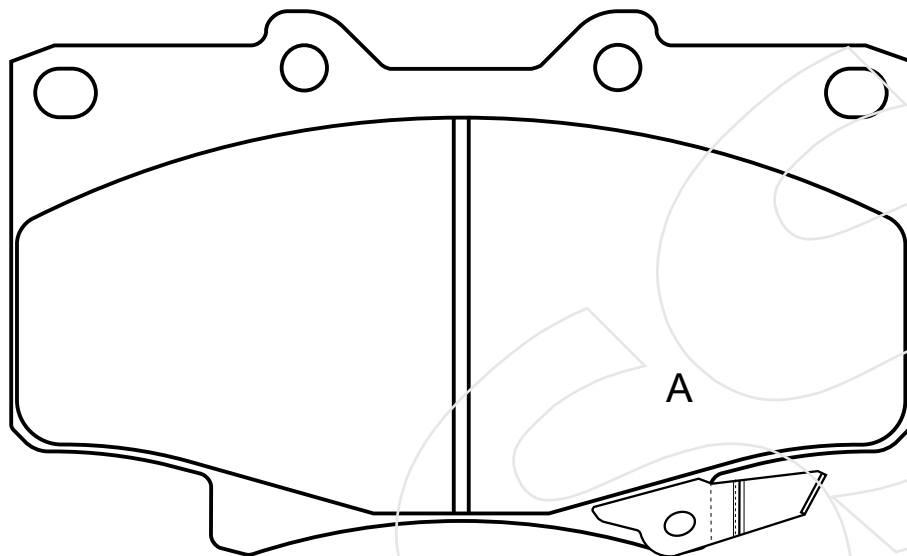
CODICE	IMPIANTO		ASSE	SCALA	APPLICAZIONI
<b>R-622</b>	SUMITOMO		ANTERIORE	100%	<b>FORD MAZDA</b>
CODICE COMPONENTI	N°	L(mm)	SERIE		
M0109	2	*	1 PEZZO TIPO A+ 1 PEZZO TIPO B		
M0107	1	*	1 PEZZO TIPO C		
M0108	1	*	1 PEZZO TIPO D		
CODICE ACCESSORI	N°	L(mm)	NOTE		
*	*	*			
*	*	*			
*	*	*			
*	*	*			



Reference in this Catalogue to other manufactures and to part numbers and other descriptions are for identification purposes only, because the above DISC BRAKE PADS are NOT ORIGINAL but with these interchangeable.

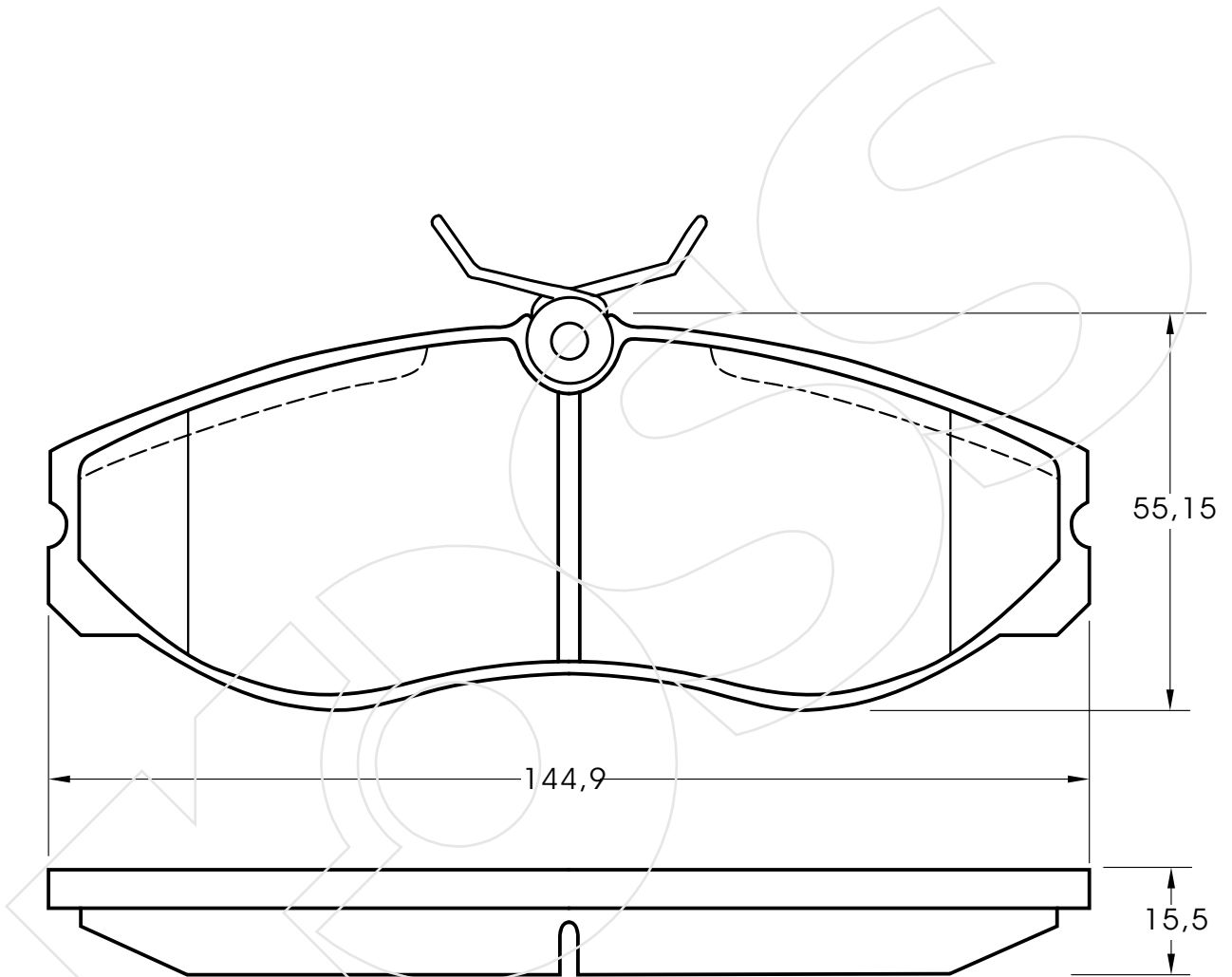


CODICE	IMPIANTO	ASSE	SCALA	APPLICAZIONI
<b>R-623</b>	SUMITOMO	ANTERIORE	1:1	TOYOTA
CODICE COMPONENTI	N°	L(mm)	SERIE	
M0111	2	*	2 PEZZI TIPO A	
M0110	2	*	2 PEZZI TIPO B	
*	*	*		
CODICE ACCESSORI	N°	L(mm)	NOTE	
*	*	*		
*	*	*		
*	*	*		
*	*	*		



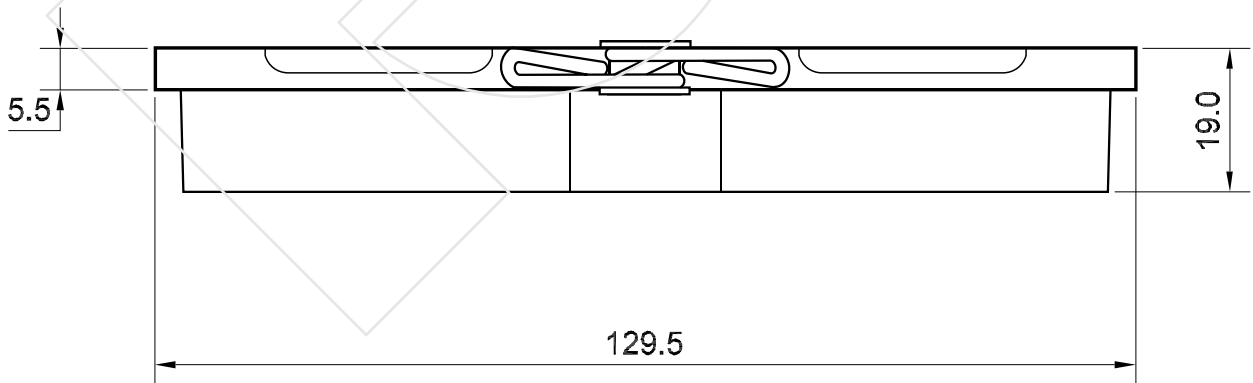
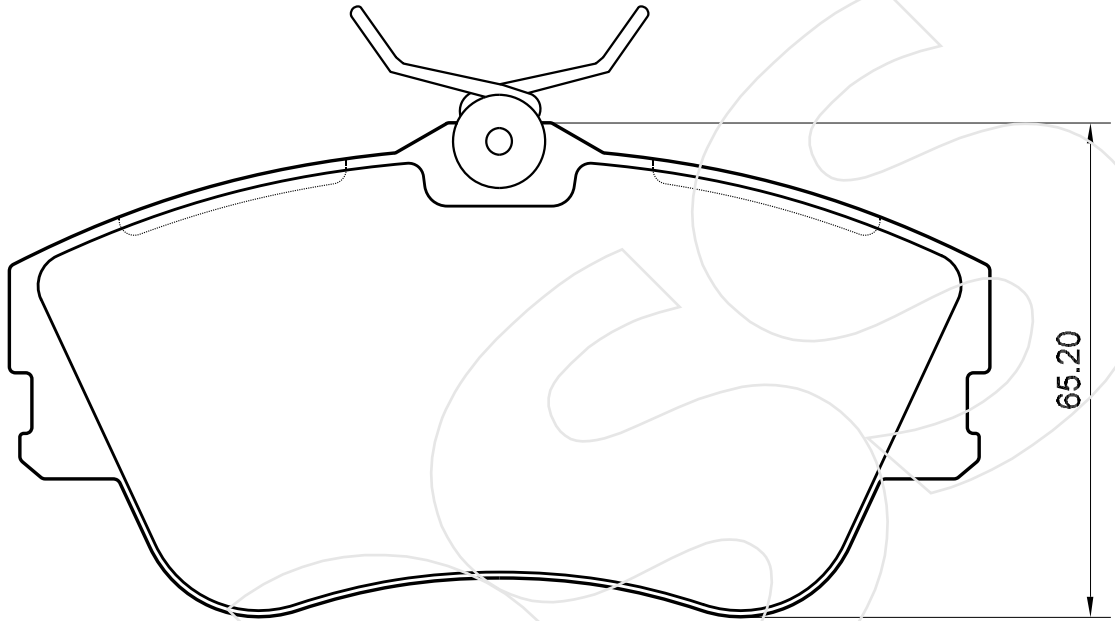
Reference in this Catalogue to other manufactures and to part numbers and other descriptions are for identification purposes only, because the above DISC BRAKE PADS are NOT ORIGINAL but with these interchangeable.

CODICE	IMPIANTO		ASSE	SCALA	APPLICAZIONI
<b>R-624</b>	GIRLING		ANTERIORE	1:1	FORD NISSAN-DATSUN
CODICE COMPONENTI	N°	L(mm)	SERIE		
M0015+P1004	*	*	4 PEZZI		
*	*				
*	*				
CODICE ACCESSORI	N°	L(mm)	NOTE		
			*		
*	*		*		
*	*		*		
*	*		*		



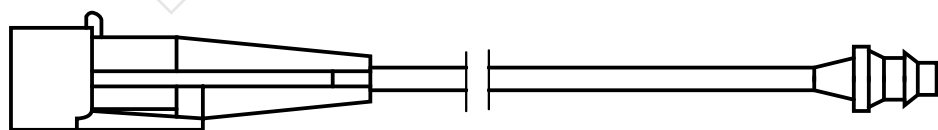
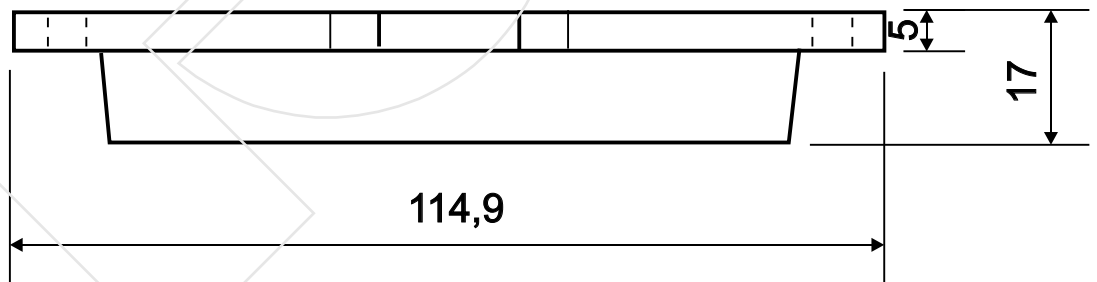
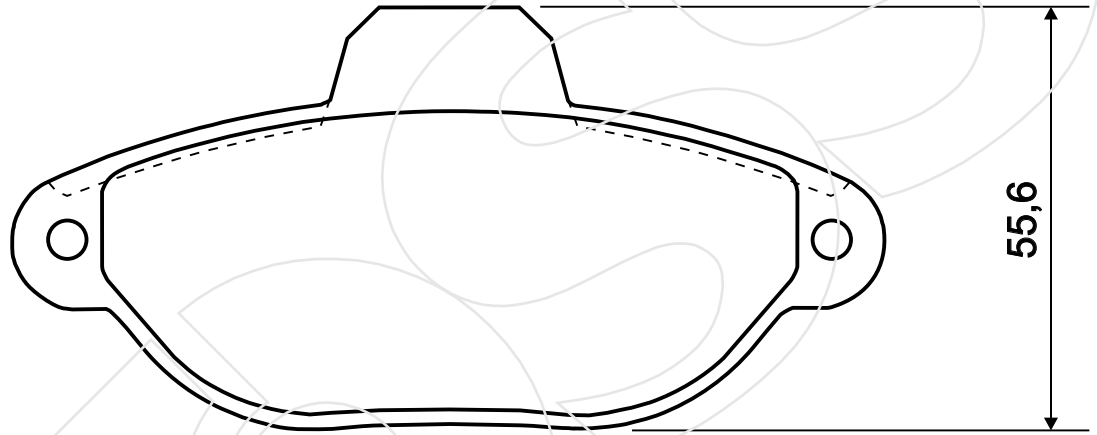
Reference in this Catalogue to other manufactures and to part numbers and other descriptions are for identification purposes only, because the above DISC BRAKE PADS are NOT ORIGINAL but with these interchangeable.

CODICE	IMPIANTO		ASSE	SCALA	APPLICAZIONI
<b>R-625</b>	GIRLING		ANTERIORE	100%	VOLKSWAGEN
CODICE COMPONENTI	N°	L(mm)	SERIE		
M0015	*	*	4 PEZZI		
*	*	*	*		
*	*	*	*		
*	*	*	*		
CODICE ACCESSORI	N°	L(mm)	NOTE		
*	*	*			
*	*	*			
*	*	*			
*	*	*			



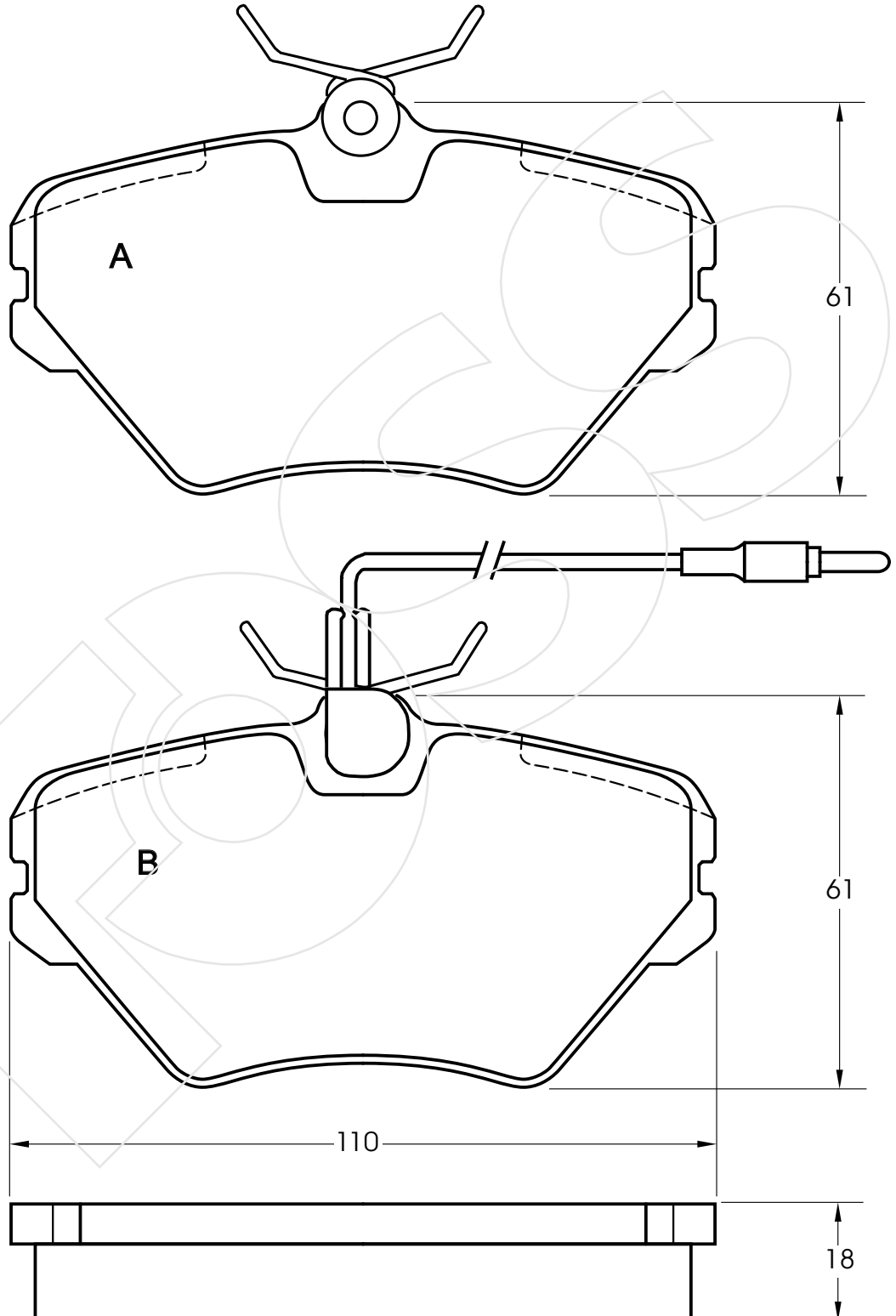
Reference in this Catalogue to other manufactures and to part numbers and other descriptions are for identification purposes only, because the above DISC BRAKE PADS are NOT ORIGINAL but with these interchangeable.

CODICE	IMPIANTO	ASSE	SCALA	APPLICAZIONI
<b>R-626</b>	BENDIX	ANTERIORE	1:1	FIAT LANCIA
CODICE COMPONENTI	N°	L(mm)	SERIE	
F3060	1	480	4 PEZZI	
*	*			
*	*			
CODICE ACCESSORI	N°	L(mm)	NOTE	
*	*		*	
*	*		*	
*	*		*	
*	*		*	



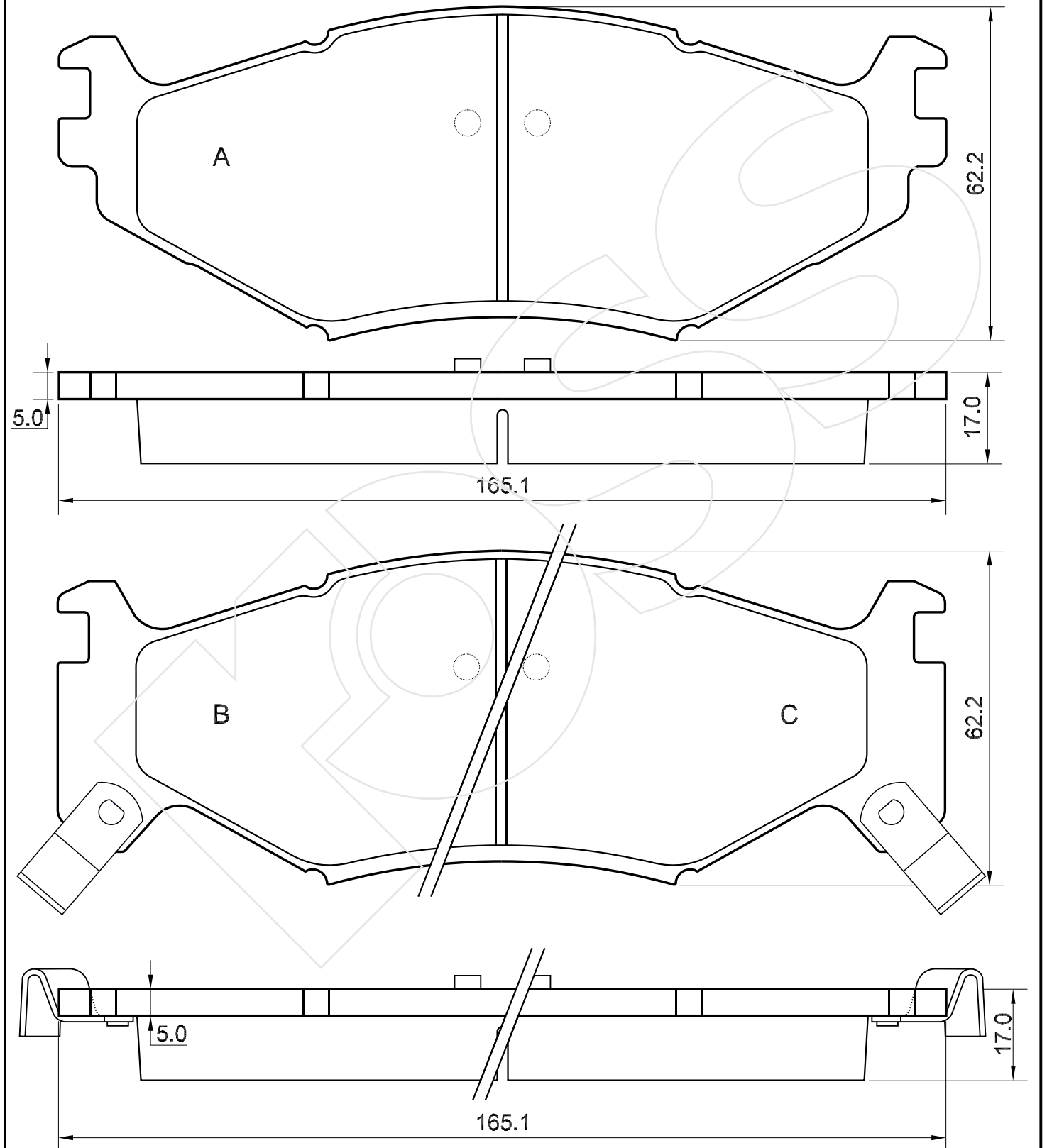
Reference in this Catalogue to other manufactures and to part numbers and other descriptions are for identification purposes only, because the above DISC BRAKE PADS are NOT ORIGINAL but with these interchangeable.

CODICE	IMPIANTO	ASSE	SCALA	APPLICAZIONI
<b>R-628</b>	GIRLING	ANTERIORE	1:1	RENAULT
CODICE COMPONENTI	N°	L(mm)	SERIE	
M0015+P1004	2+2	*	2 PEZZI TIPO A	
M0015+F3074	2+2	305	2 PEZZI TIPO B	
*	*			
CODICE ACCESSORI	N°	L(mm)	NOTE	
*	*		*	
*	*		*	
*	*		*	
*	*		*	



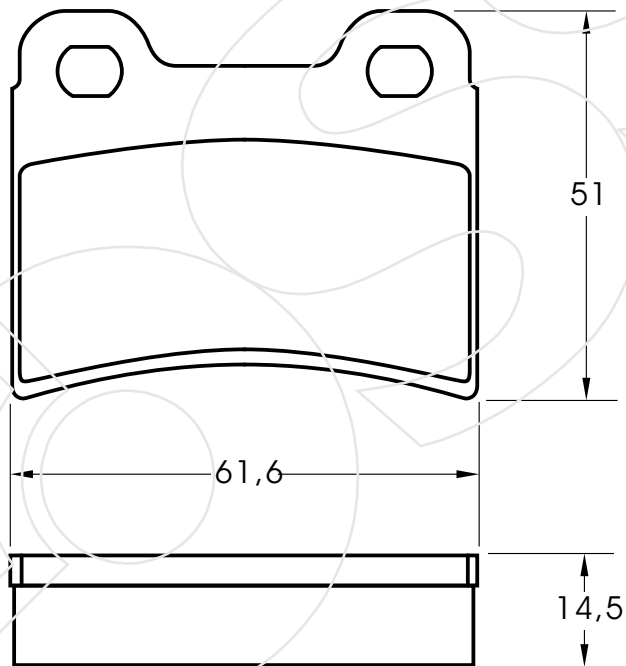
Reference in this Catalogue to other manufactures and to part numbers and other descriptions are for identification purposes only, because the above DISC BRAKE PADS are NOT ORIGINAL but with these interchangeable.

CODICE	IMPIANTO		ASSE	SCALA	APPLICAZIONI
<b>R-629</b>	KELSEY-HAYES		ANTERIORE	100%	TALBOT CHRYSLER DODGE DODGE TRUCK PLYMOUTH
CODICE COMPONENTI	N°	L(mm)	SERIE		
*	*	*	2 PEZZI TIPO A		
M0183	1	*	1 PEZZO TIPO B		
M0183	1	*	1 PEZZO TIPO C		
*	*	*	*		
CODICE ACCESSORI	N°	L(mm)	NOTE		
*	*	*			
*	*	*			
*	*	*			
*	*	*			



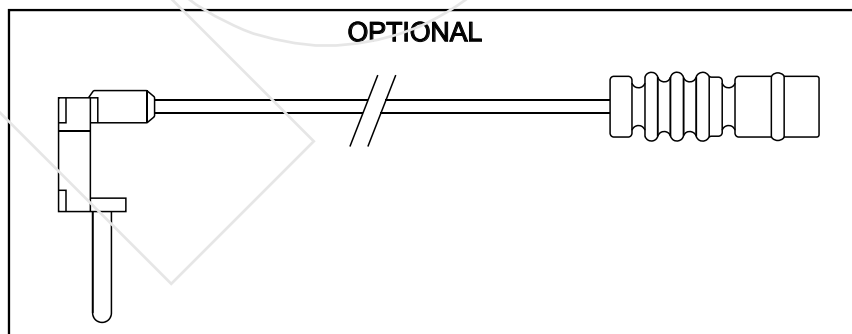
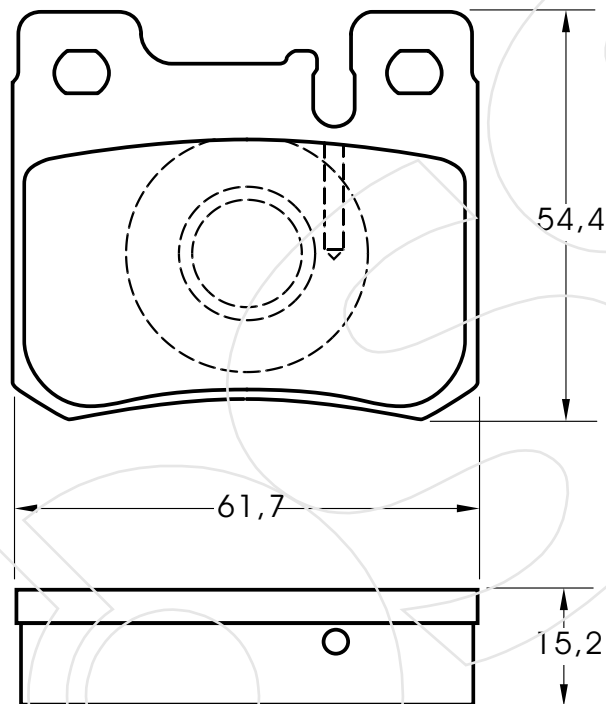
Reference in this Catalogue to other manufactures and to part numbers and other descriptions are for identification purposes only, because the above DISC BRAKE PADS are NOT ORIGINAL but with these interchangeable.

CODICE	IMPIANTO		ASSE	SCALA	APPLICAZIONI
<b>R-630</b>	ATE		POSTERIORE	1:1	FORD
CODICE COMPONENTI	N°	L(mm)	SERIE		
*	*	*	4 PEZZI		
*	*				
*	*				
CODICE ACCESSORI	N°	L(mm)	NOTE		
			*		
*	*		*		
*	*		*		
*	*		*		



Reference in this Catalogue to other manufactures and to part numbers and other descriptions are for identification purposes only, because the above DISC BRAKE PADS are NOT ORIGINAL but with these interchangeable.

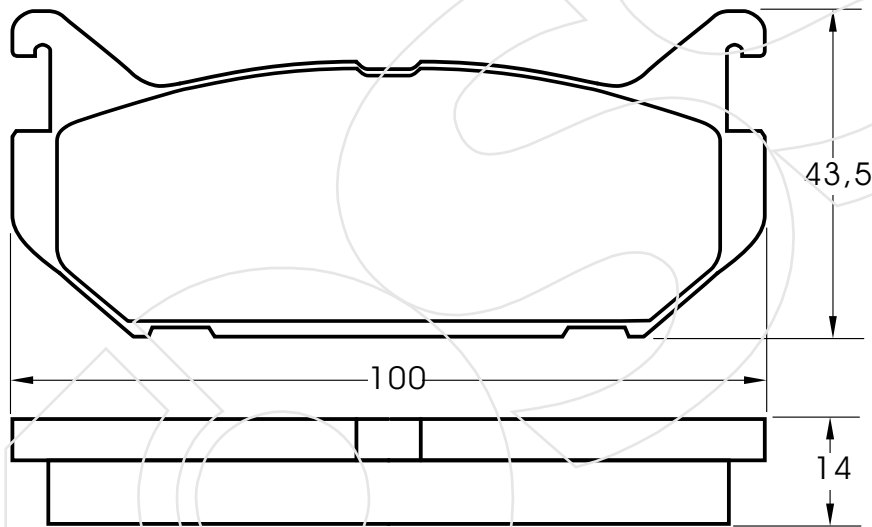
CODICE	IMPIANTO		ASSE	SCALA	APPLICAZIONI
<b>R-631</b>	ATE		POSTERIORE	1:1	MERCEDES
CODICE COMPONENTI	N°	L(mm)	SERIE		
*	*	*	4 PEZZI		
*	*				
*	*				
OPTIONAL	N°	L(mm)	NOTE		
F3082	2	130	*		
A 001	4		*		
			*		
			*		



Reference in this Catalogue to other manufactures and to part numbers and other descriptions are for identification purposes only, because the above DISC BRAKE PADS are NOT ORIGINAL but with these interchangeable.

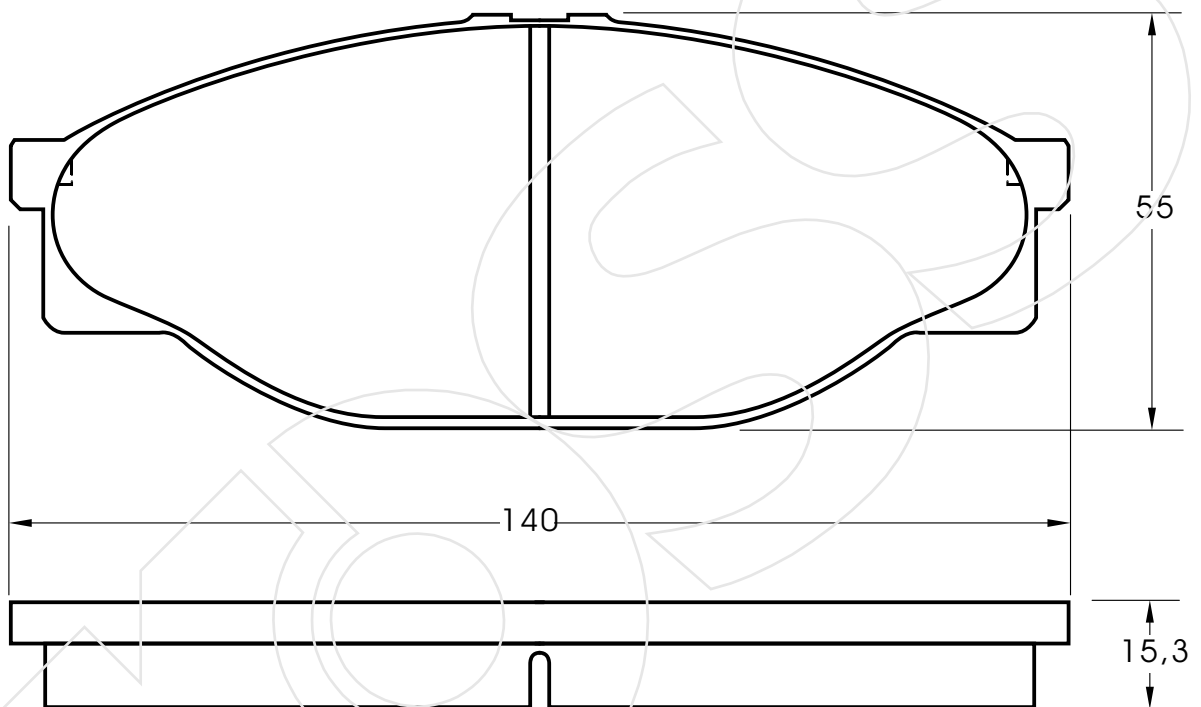


CODICE	IMPIANTO	ASSE	SCALA	APPLICAZIONI
<b>R-632</b>	AKEBONO	POSTERIORE	1:1	FORD MAZDA
CODICE COMPONENTI	N°	L(mm)	SERIE	
*	*	*	4 PEZZI	
*	*			
*	*			
CODICE ACCESSORI	N°	L(mm)	NOTE	
			*	
*	*		*	
*	*		*	
*	*		*	



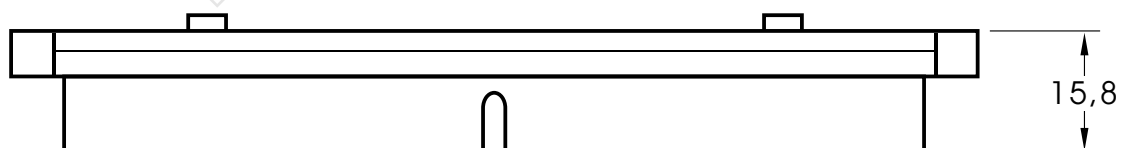
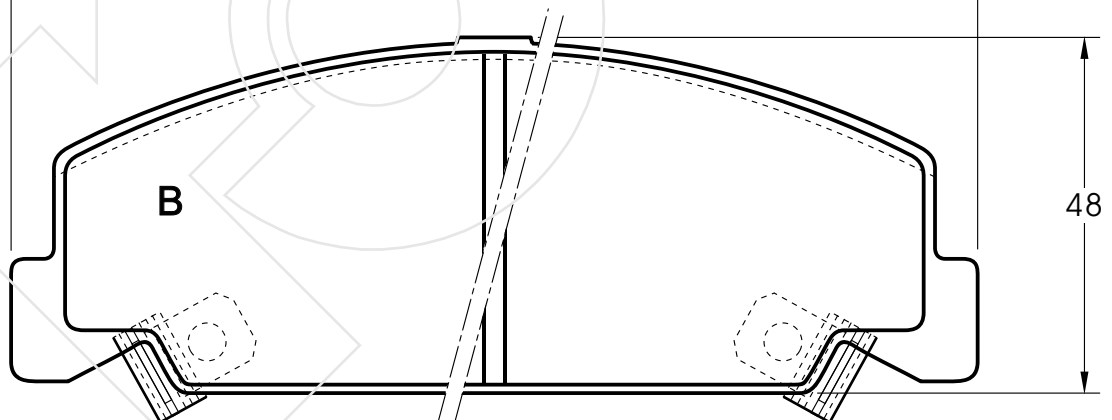
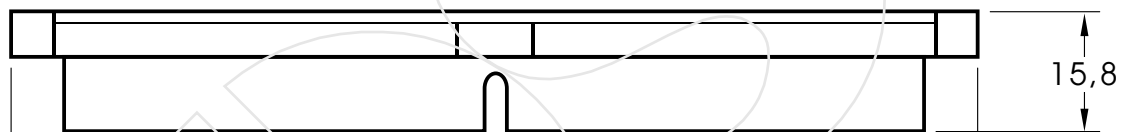
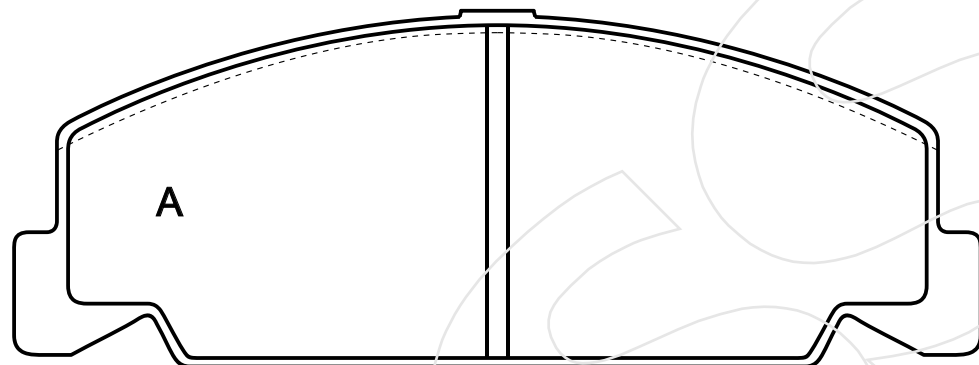
Reference in this Catalogue to other manufactures and to part numbers and other descriptions are for identification purposes only, because the above DISC BRAKE PADS are NOT ORIGINAL but with these interchangeable.

CODICE	IMPIANTO		ASSE	SCALA	APPLICAZIONI
<b>R-633</b>	SUMITOMO		ANTERIORE	1:1	TOYOTA
CODICE COMPONENTI	N°	L(mm)	SERIE		
*	*	*	4 PEZZI		
*	*				
*	*				
CODICE ACCESSORI	N°	L(mm)	NOTE		
			*		
*	*		*		
*	*		*		
*	*		*		



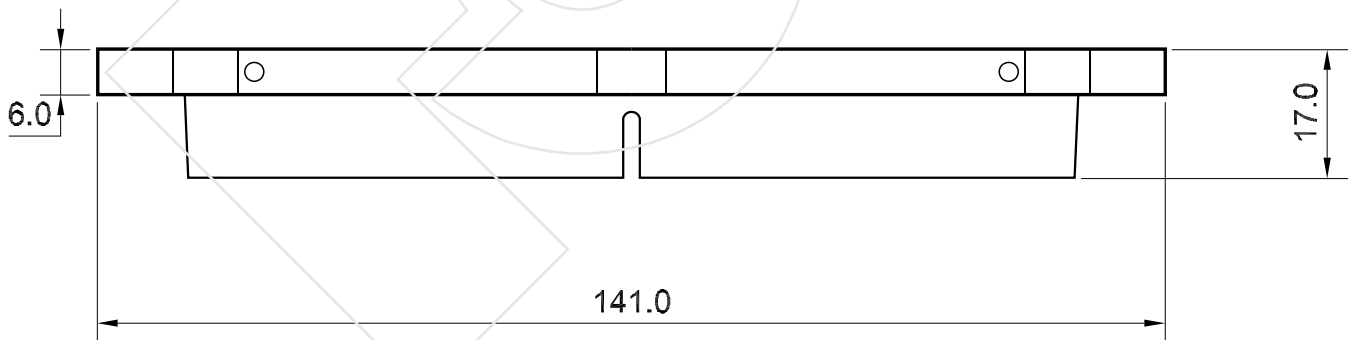
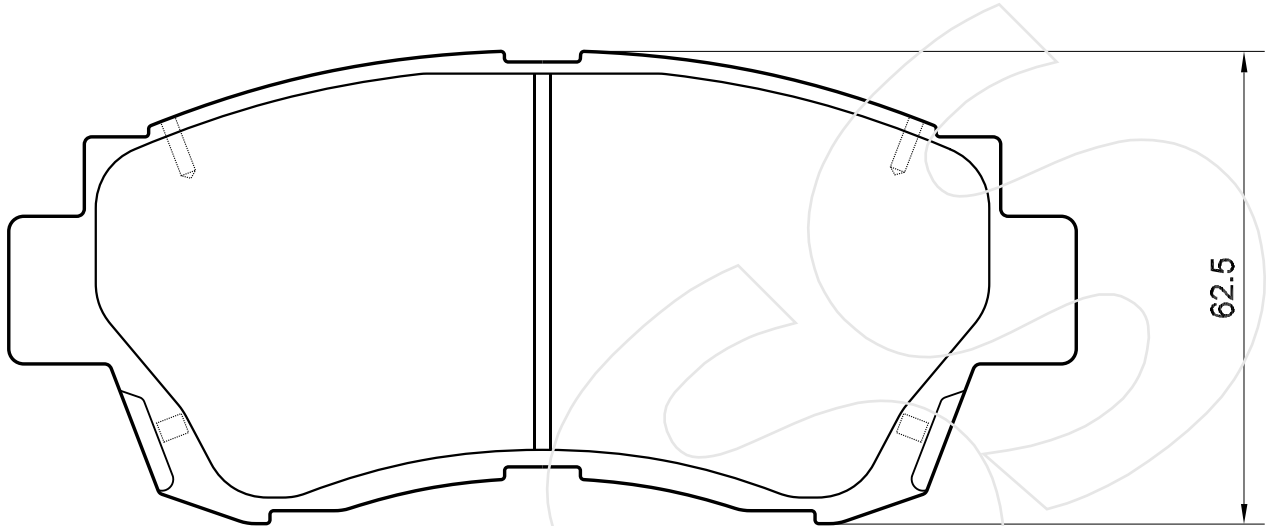
Reference in this Catalogue to other manufactures and to part numbers and other descriptions are for identification purposes only, because the above DISC BRAKE PADS are NOT ORIGINAL but with these interchangeable.

CODICE	IMPIANTO	ASSE	SCALA	APPLICAZIONI
<b>R-634</b>	AKEBONO	ANTERIORE	1:1	HONDA
CODICE COMPONENTI	N°	L(mm)	SERIE	
*	*	*	2 PEZZI TIPO A	
M0043	2		2 PEZZI TIPO B	
*	*			
CODICE ACCESSORI	N°	L(mm)	NOTE	
			*	
*	*		*	
*	*		*	
*	*		*	



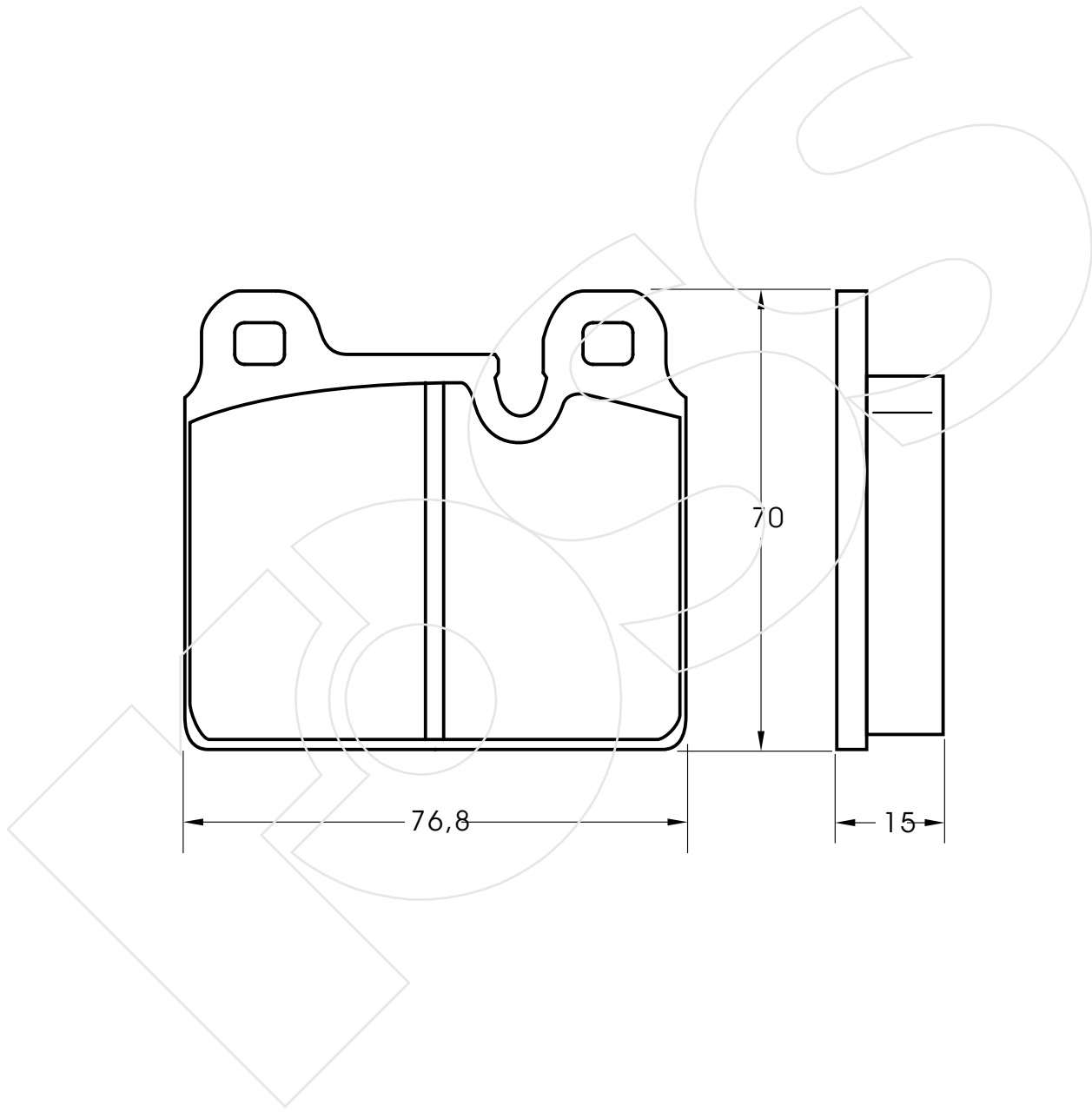
Reference in this Catalogue to other manufactures and to part numbers and other descriptions are for identification purposes only, because the above DISC BRAKE PADS are NOT ORIGINAL but with these interchangeable.

CODICE	IMPIANTO	ASSE	SCALA	APPLICAZIONI
<b>R-635</b>	SUMITOMO	ANTERIORE	100%	TOYOTA
CODICE COMPONENTI	N°	L(mm)	SERIE	
*	*	*	4 PEZZI	
*	*	*	*	
*	*	*	*	
*	*	*	*	
CODICE ACCESSORI	N°	L(mm)	NOTE	
*	*	*		
*	*	*		
*	*	*		
*	*	*		



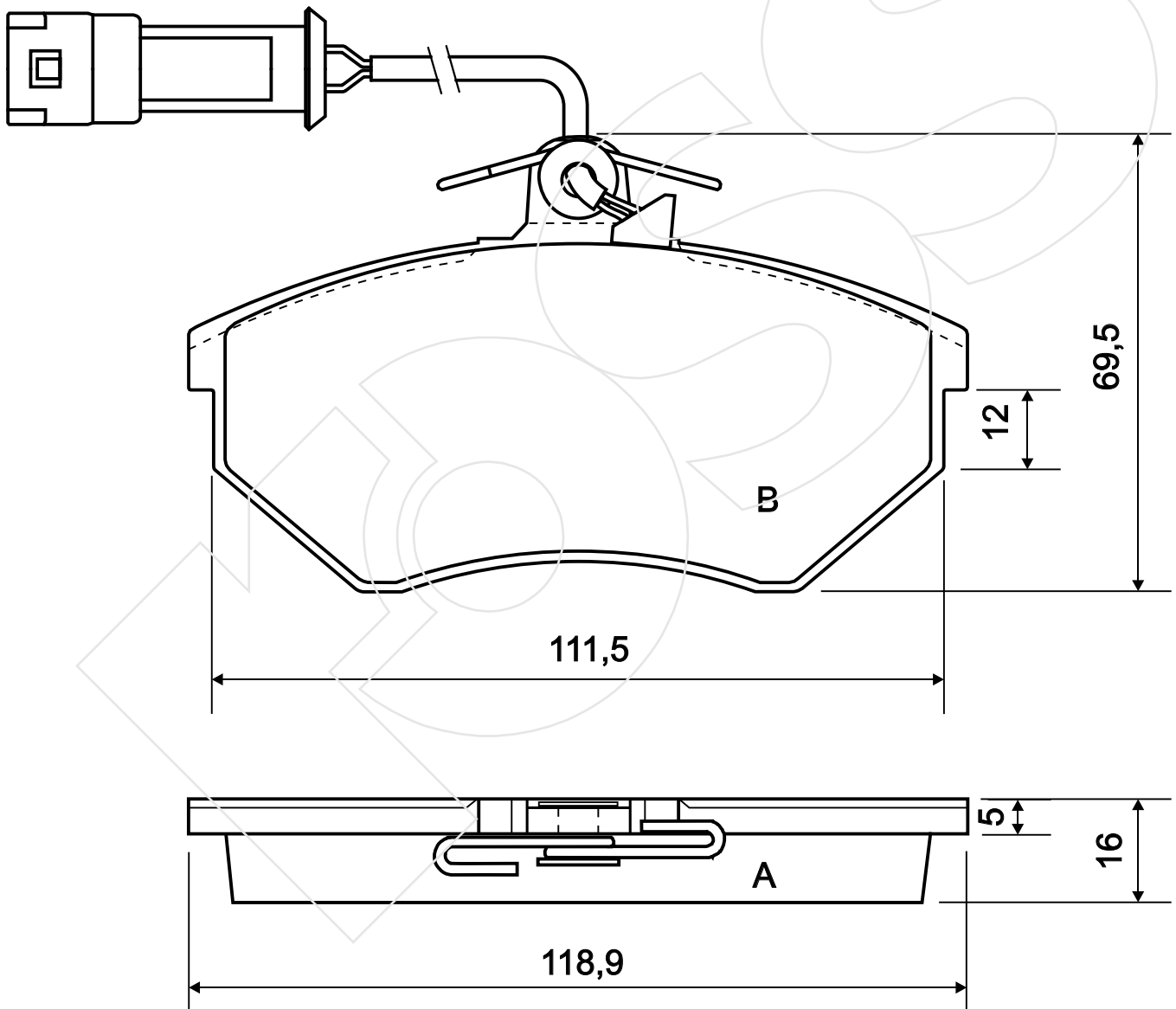
Reference in this Catalogue to other manufactures and to part numbers and other descriptions are for identification purposes only, because the above DISC BRAKE PADS are NOT ORIGINAL but with these interchangeable.

CODICE	IMPIANTO		ASSE	SCALA	APPLICAZIONI
<b>R-636</b>	ATE		ANTERIORE	1:1	PORSCHE
CODICE COMPONENTI	N°	L(mm)	SERIE		
*	*	*	4 PEZZI		
*	*				
*	*				
CODICE ACCESSORI	N°	L(mm)	NOTE		
			*		
*	*		*		
*	*		*		
*	*		*		



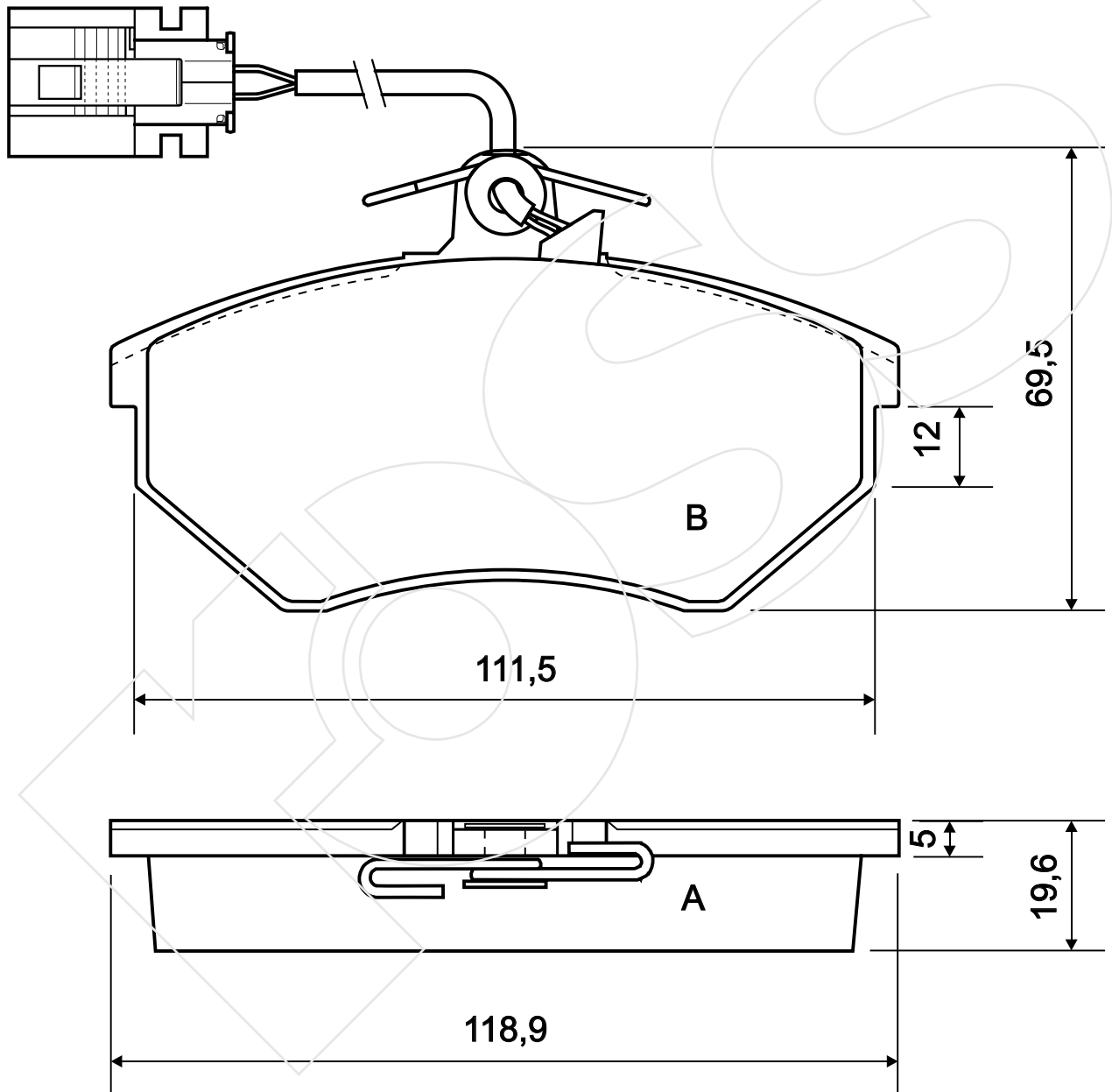
Reference in this Catalogue to other manufactures and to part numbers and other descriptions are for identification purposes only, because the above DISC BRAKE PADS are NOT ORIGINAL but with these interchangeable.

CODICE	IMPIANTO	ASSE	SCALA	APPLICAZIONI
<b>R-637</b>	GIRLING	ANTERIORE	1:1	VOLKSWAGEN
CODICE COMPONENTI	N°	L(mm)	SERIE	
M0013+P1012	2+2		2 PEZZI TIPO A	
M0013+P1012+F3028	2+2+2	230	2 PEZZI TIPO B	
*	*			
CODICE ACCESSORI	N°	L(mm)	NOTE	
*	*		*	
*	*		*	
*	*		*	
*	*		*	



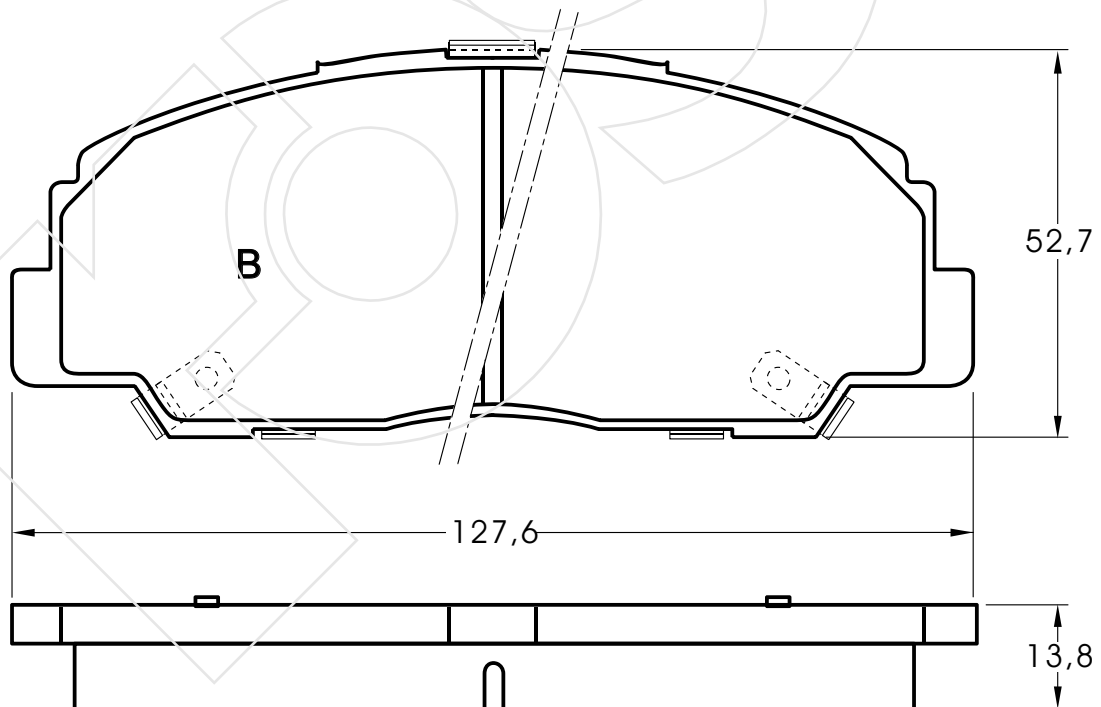
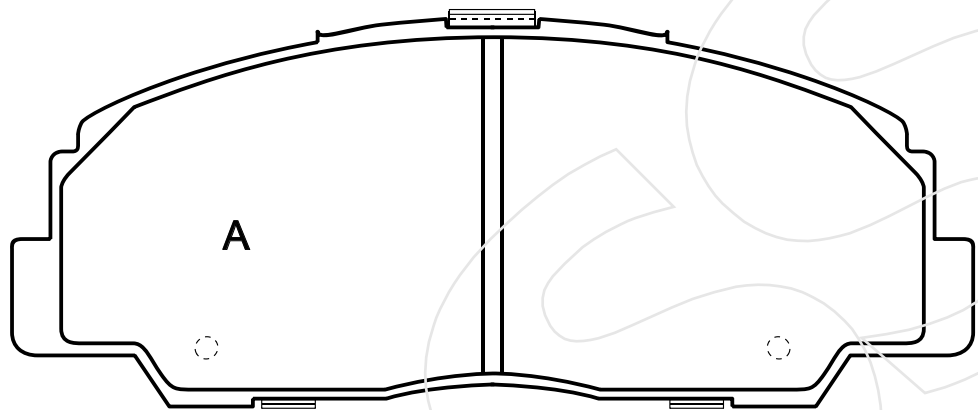
Reference in this Catalogue to other manufactures and to part numbers and other descriptions are for identification purposes only, because the above DISC BRAKE PADS are NOT ORIGINAL but with these interchangeable.

CODICE	IMPIANTO	ASSE	SCALA	APPLICAZIONI
<b>R-638</b>	GIRLING	ANTERIORE	1:1	VOLKSWAGEN
CODICE COMPONENTI	N°	L(mm)	SERIE	
M0013+P1012	2+2		2 PEZZI TIPO A	
M0013+P1012+F3061	2+2+2	230	2 PEZZI TIPO B	
*	*			
CODICE ACCESSORI	N°	L(mm)	NOTE	
*	*		*	
*	*		*	
*	*		*	
*	*		*	



Reference in this Catalogue to other manufactures and to part numbers and other descriptions are for identification purposes only, because the above DISC BRAKE PADS are NOT ORIGINAL but with these interchangeable.

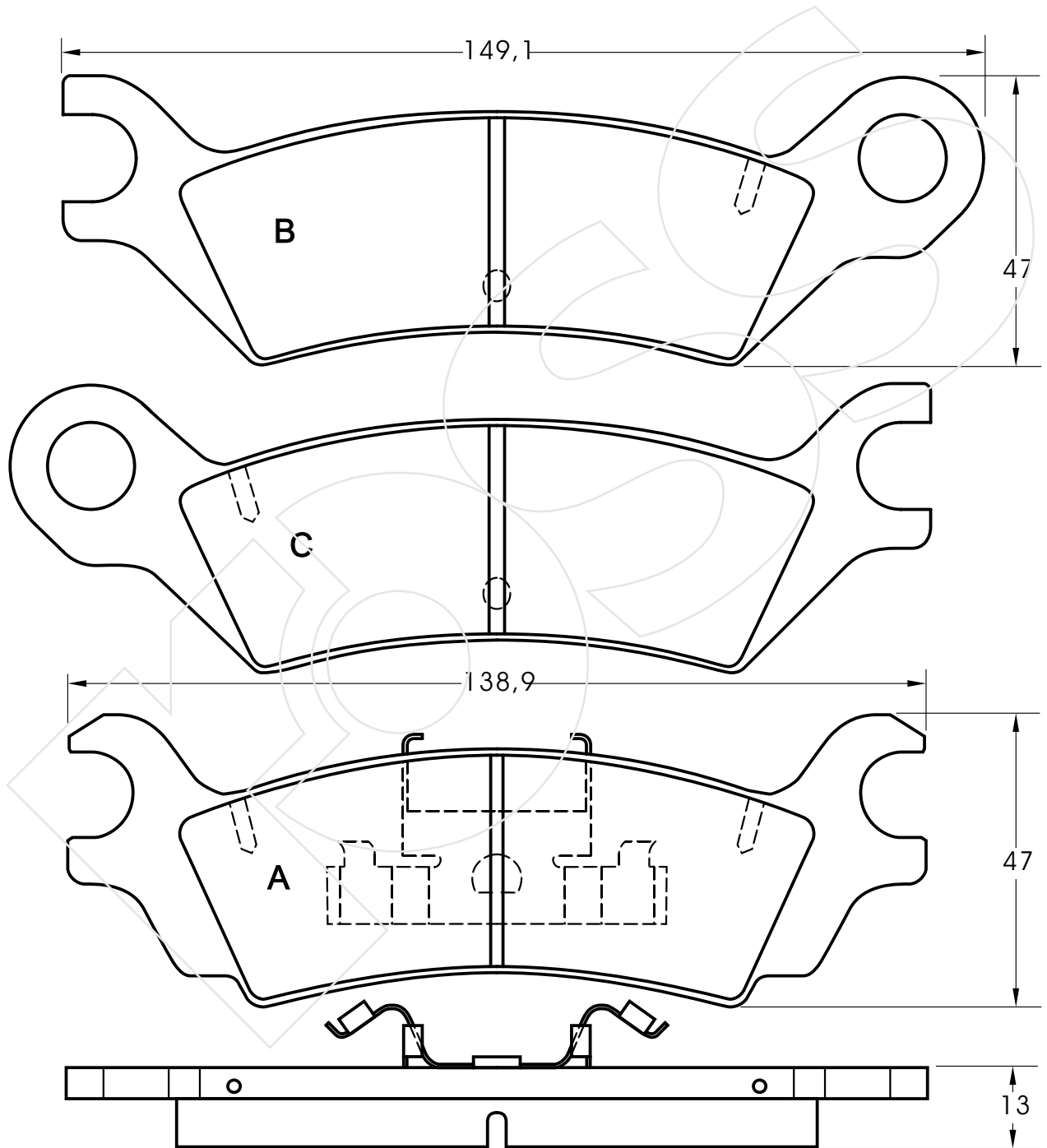
CODICE	IMPIANTO	ASSE	SCALA	APPLICAZIONI
<b>R-639</b>	AKEBONO	ANTERIORE	1:1	DAIHATSU
CODICE COMPONENTI	N°	L(mm)	SERIE	
*	*	*	2 PEZZI TIPO A	
M0069	2		2 PEZZI TIPO B	
*	*			
CODICE ACCESSORI	N°	L(mm)	NOTE	
*	*		*	
*	*		*	
*	*		*	
*	*		*	



Reference in this Catalogue to other manufactures and to part numbers and other descriptions are for identification purposes only, because the above DISC BRAKE PADS are NOT ORIGINAL but with these interchangeable.

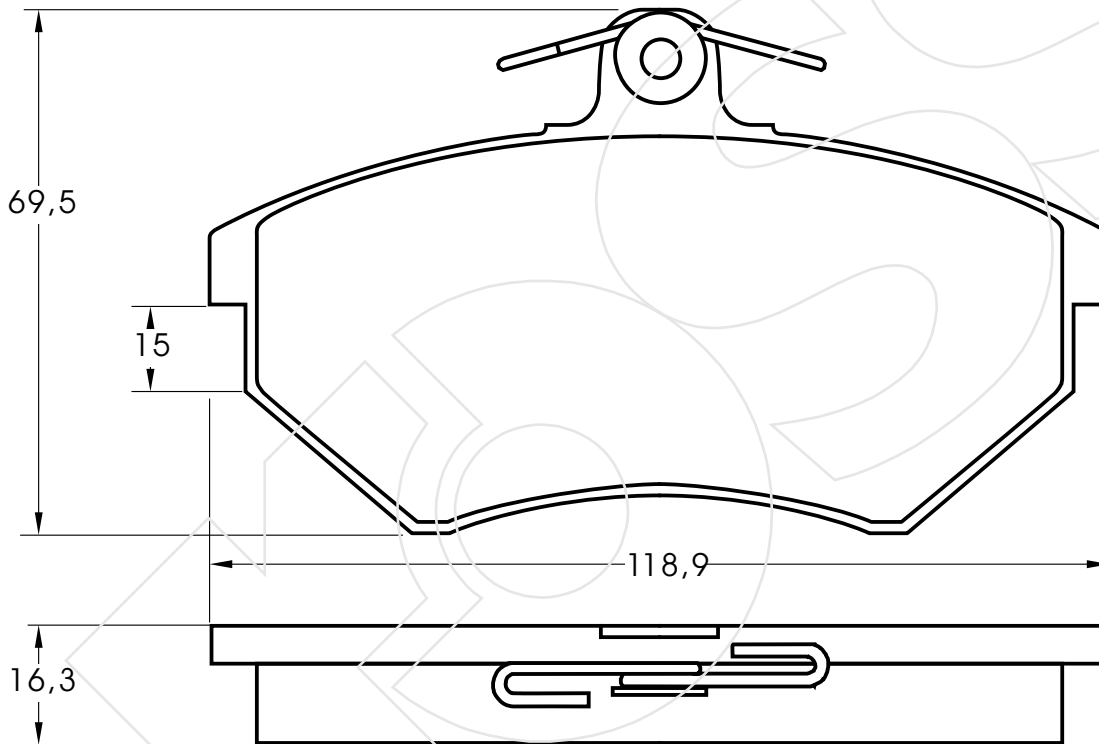


CODICE	IMPIANTO		ASSE	SCALA	APPLICAZIONI
<b>R-640</b>	AKEBONO		POSTERIORE	1:1	MAZDA
CODICE COMPONENTI	N°	L(mm)	SERIE		
M0019	2	*	2 PEZZI TIPO A		
*	*	*	1 PEZZO TIPO B		
*	*	*	1 PEZZO TIPO C		
CODICE ACCESSORI	N°	L(mm)	NOTE		
			*		
*	*	*	*		
*	*	*	*		
*	*	*	*		



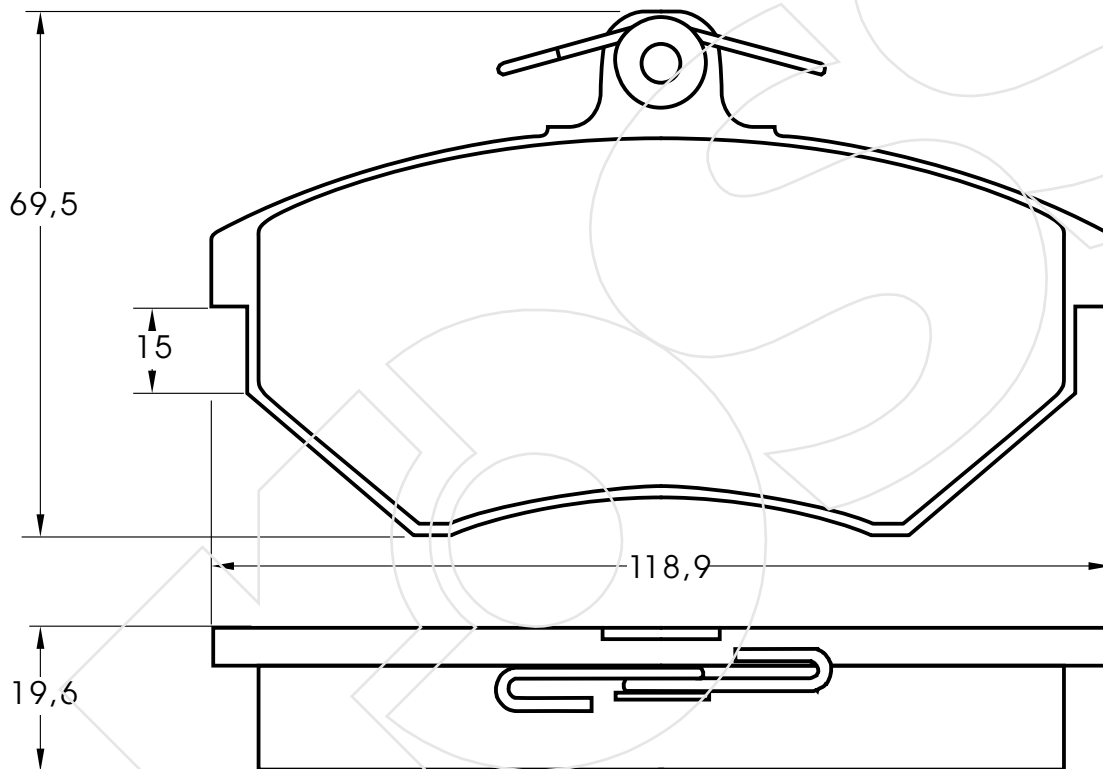
Reference in this Catalogue to other manufactures and to part numbers and other descriptions are for identification purposes only, because the above DISC BRAKE PADS are NOT ORIGINAL but with these interchangeable.

CODICE	IMPIANTO		ASSE	SCALA	APPLICAZIONI
<b>R-641</b>	GIRLING		ANTERIORE	1:1	AUDI SEAT VOLKSWAGEN
CODICE COMPONENTI	N°	L(mm)	SERIE		
M0013+P1012	4+4	*	4 PEZZI		
*	*				
*	*				
CODICE ACCESSORI	N°	L(mm)	NOTE		
			*		
*	*		*		
*	*		*		
*	*		*		



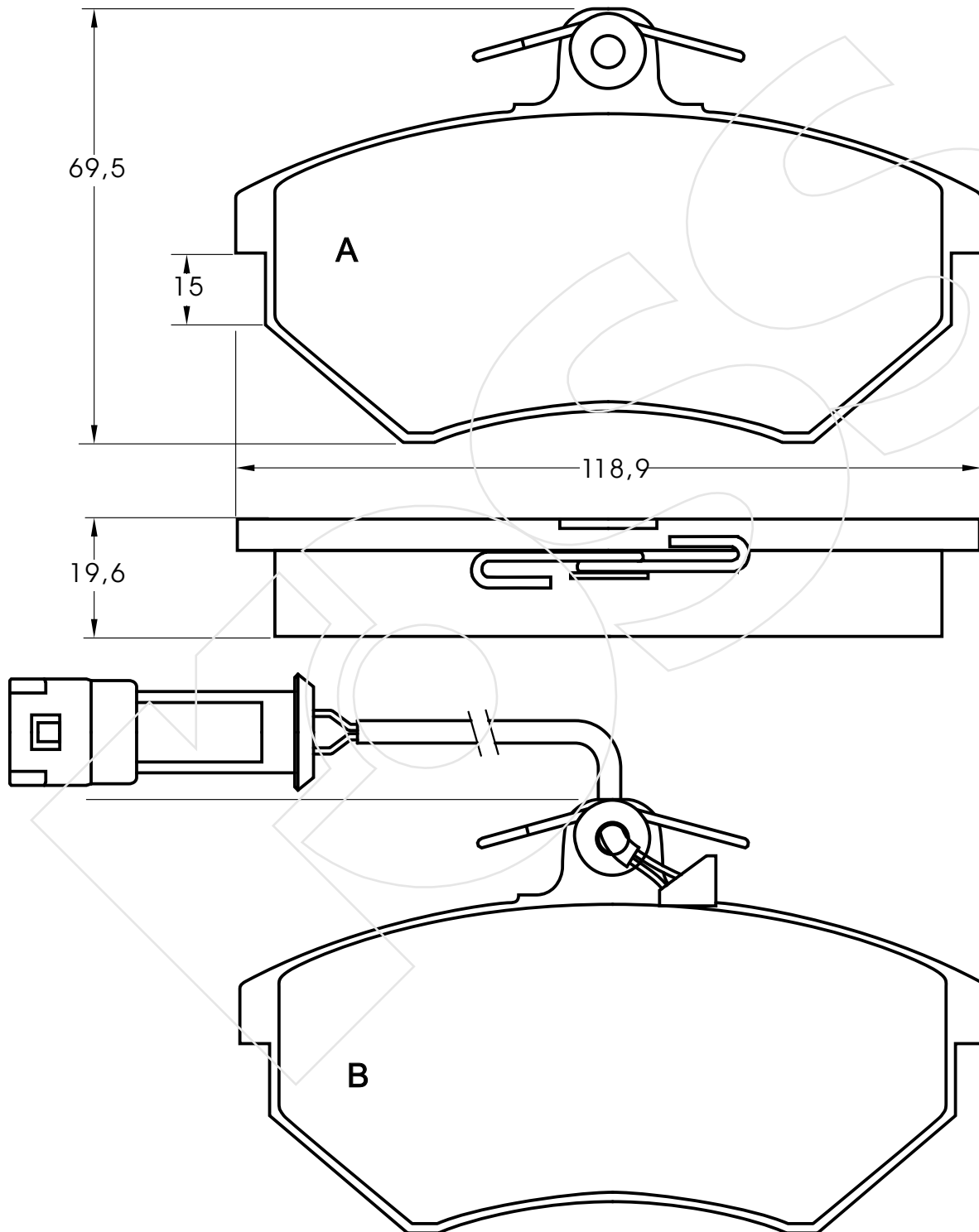
Reference in this Catalogue to other manufactures and to part numbers and other descriptions are for identification purposes only, because the above DISC BRAKE PADS are NOT ORIGINAL but with these interchangeable.

CODICE	IMPIANTO		ASSE	SCALA	APPLICAZIONI
<b>R-642</b>	GIRLING		ANTERIORE	1:1	AUDI VOLKSWAGEN
CODICE COMPONENTI	N°	L(mm)	SERIE		
M0013+P1012	4+4	*	4 PEZZI		
*	*				
*	*				
CODICE ACCESSORI	N°	L(mm)	NOTE		
			*		
*	*		*		
*	*		*		
*	*		*		



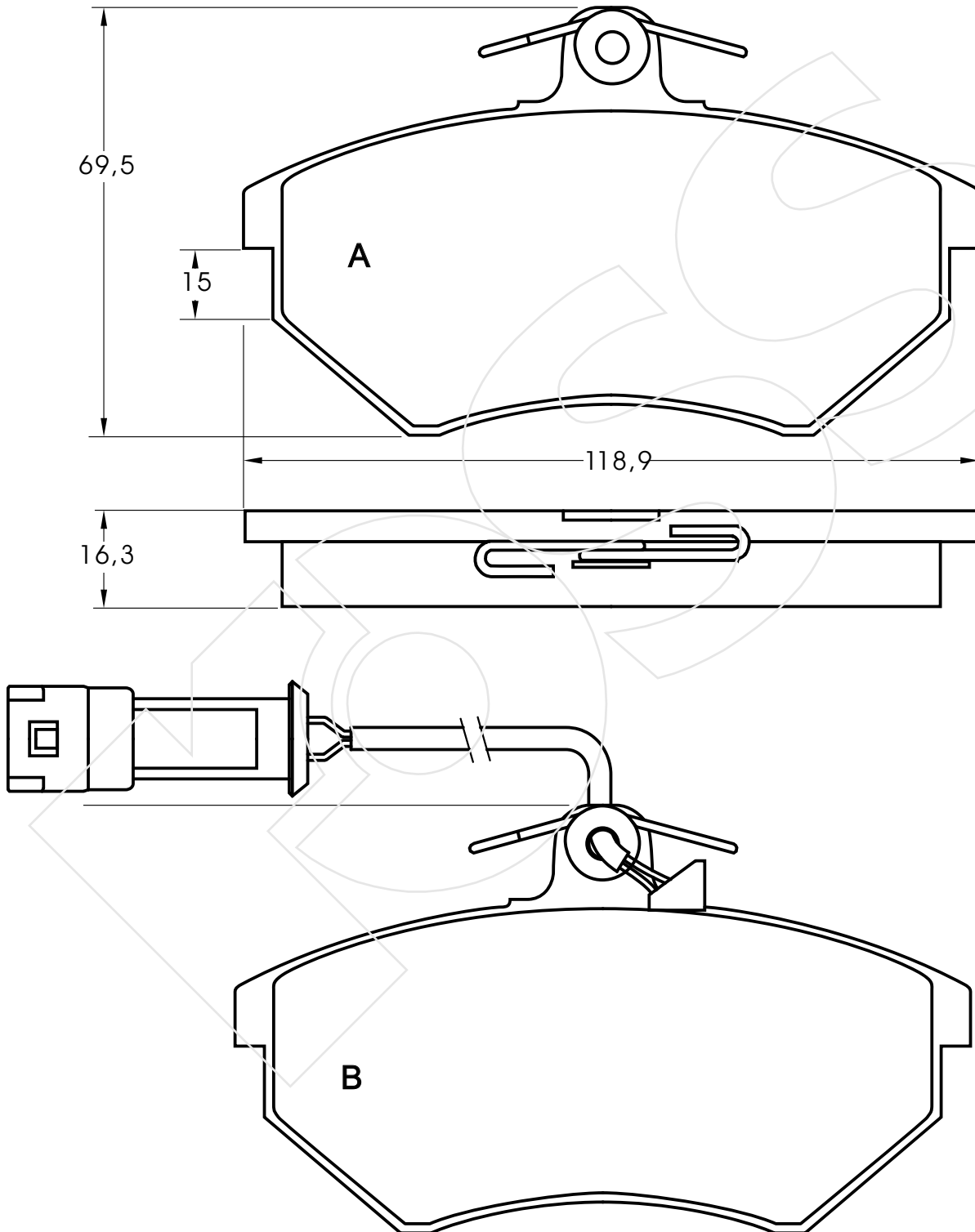
Reference in this Catalogue to other manufactures and to part numbers and other descriptions are for identification purposes only, because the above DISC BRAKE PADS are NOT ORIGINAL but with these interchangeable.

CODICE	IMPIANTO		ASSE	SCALA	APPLICAZIONI
<b>R-643</b>	GIRLING		ANTERIORE	1:1	AUDI VOLKSWAGEN
CODICE COMPONENTI	N°	L(mm)	SERIE		
M0013+P1012	2+2	*	2 PEZZI TIPO A		
M0013+P1010+F 3028	2+2+2	260	2 PEZZI TIPO B		
*	*				
CODICE ACCESSORI	N°	L(mm)	NOTE		
			*		
*	*		*		
*	*		*		
*	*		*		



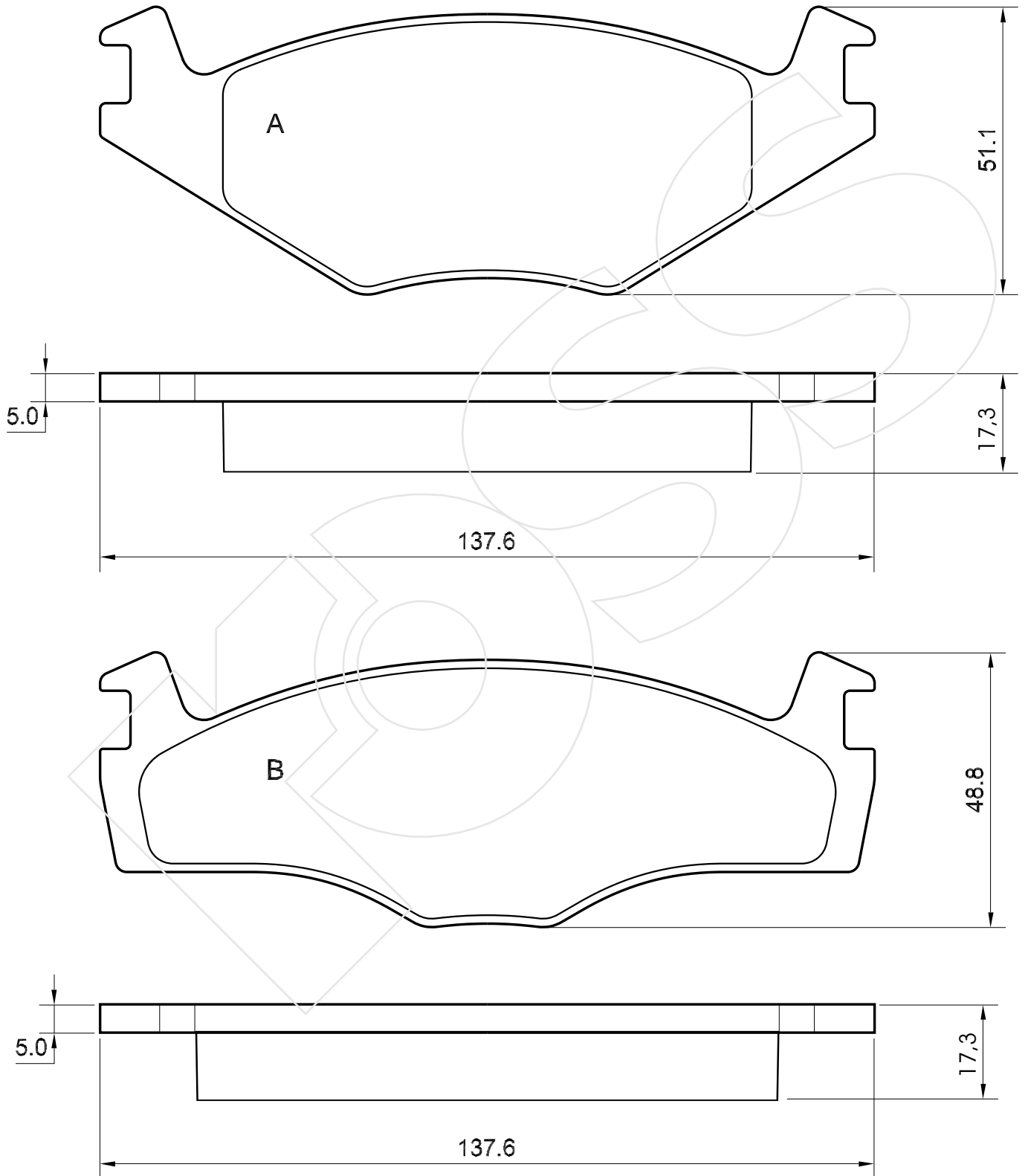
Reference in this Catalogue to other manufactures and to part numbers and other descriptions are for identification purposes only, because the above DISC BRAKE PADS are NOT ORIGINAL but with these interchangeable.

CODICE	IMPIANTO		ASSE	SCALA	APPLICAZIONI
<b>R-644</b>	GIRLING		ANTERIORE	1:1	AUDI VOLKSWAGEN
CODICE COMPONENTI	N°	L(mm)	SERIE		
M0013+P1012	2+2		2 PEZZI TIPO A		
M0013+P1010+F 3028	2+2+2	260	2 PEZZI TIPO B		
*	*				
CODICE ACCESSORI	N°	L(mm)	NOTE		
			*		
*	*		*		
*	*		*		
*	*		*		



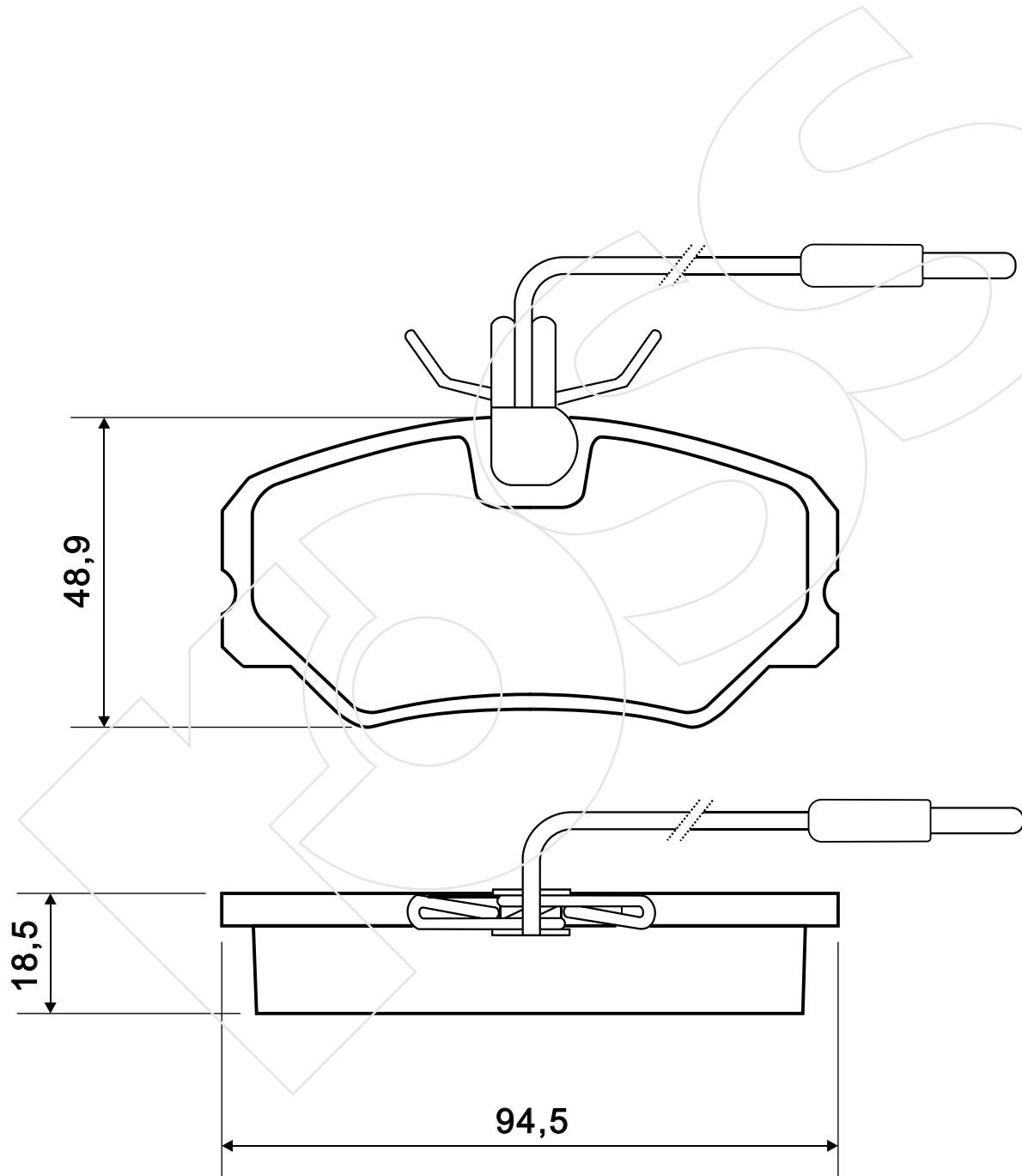
Reference in this Catalogue to other manufactures and to part numbers and other descriptions are for identification purposes only, because the above DISC BRAKE PADS are NOT ORIGINAL but with these interchangeable.

CODICE	IMPIANTO		ASSE	SCALA	APPLICAZIONI
<b>R-645</b>	KELSEY-HAYES		ANTERIORE	100%	VOLKSWAGEN
CODICE COMPONENTI	N°	L(mm)	SERIE		
*	*	*	2 PEZZI TIPO A		
*	*	*	2 PEZZI TIPO B		
*	*	*	*		
*	*	*	*		
CODICE ACCESSORI	N°	L(mm)	NOTE		
M0115-KIT	1	*			
*	*	*			
*	*	*			
*	*	*			



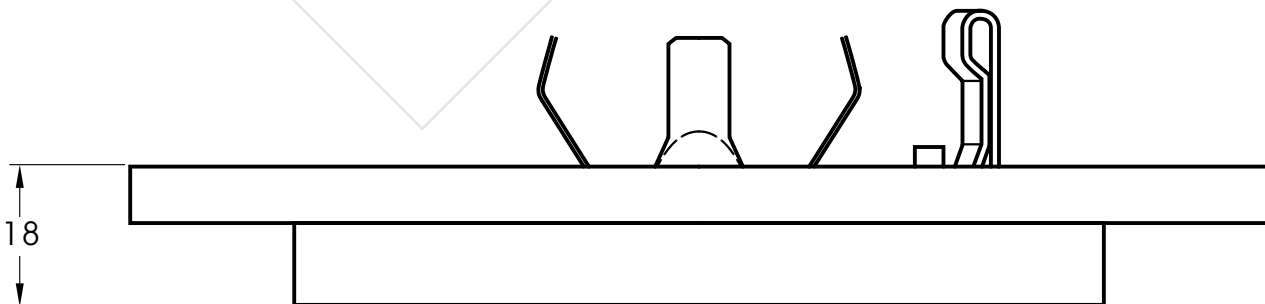
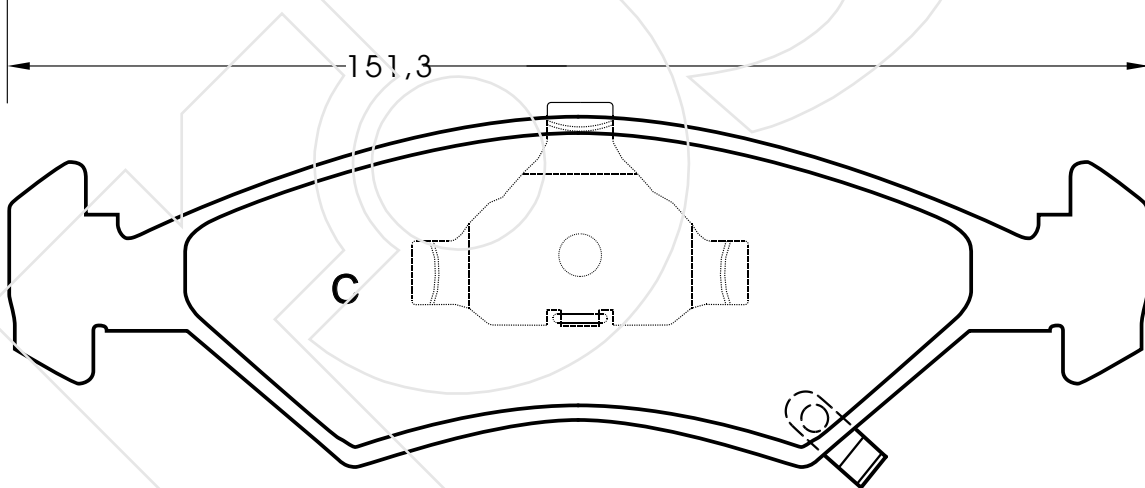
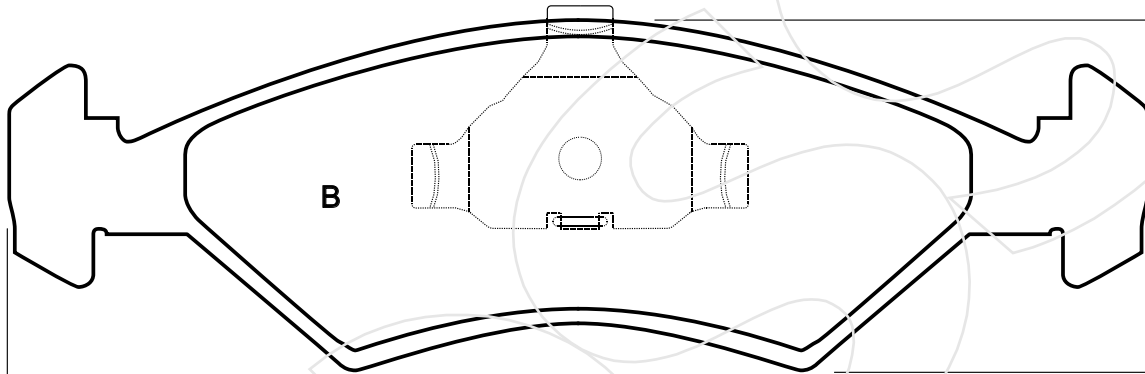
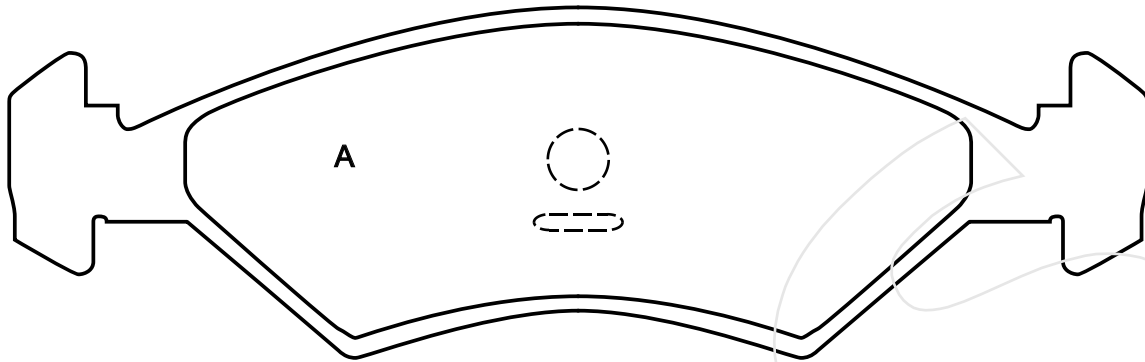
Reference in this Catalogue to other manufactures and to part numbers and other descriptions are for identification purposes only, because the above DISC BRAKE PADS are NOT ORIGINAL but with these interchangeable.

CODICE	IMPIANTO		ASSE	SCALA	APPLICAZIONI
<b>R-646</b>	GIRLING		ANTERIORE	1:1	PEUGEOT
CODICE COMPONENTI	N°	L(mm)	SERIE		
M0015+F3074	4+4	305	4 PEZZI		
*	*	*			
*	*				
CODICE ACCESSORI	N°	L(mm)	NOTE		
			*		
*	*		*		
*	*		*		
*	*		*		



Reference in this Catalogue to other manufactures and to part numbers and other descriptions are for identification purposes only, because the above DISC BRAKE PADS are NOT ORIGINAL but with these interchangeable.

CODICE	IMPIANTO		ASSE	SCALA	APPLICAZIONI
<b>R-647</b>	ATE		ANTERIORE	1:1	KIA MOTORS
CODICE COMPONENTI	N°	L(mm)	SERIE		
*	*	*	2 PEZZI TIPO A		
M0011+P1002	1+1	*	1 PEZZO TIPO B		
M0011+P1002+M0114	1+1+1		1 PEZZO TIPO C		
CODICE ACCESSORI	N°	L(mm)	NOTE		
			*		
*	*		*		
*	*		*		
*	*		*		



46,6

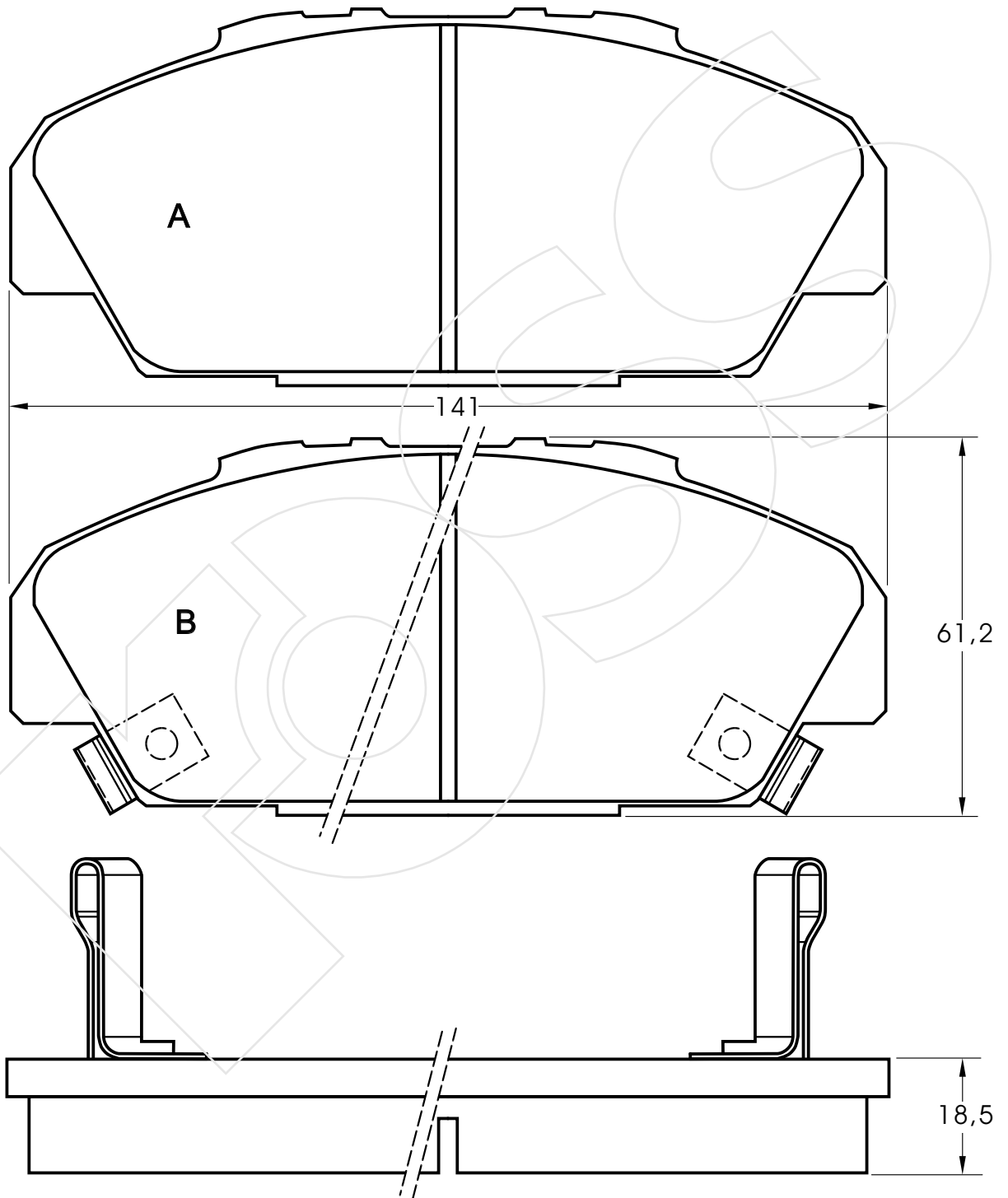
151,3

18

Reference in this Catalogue to other manufactures and to part numbers and other descriptions are for identification purposes only, because the above DISC BRAKE PADS are NOT ORIGINAL but with these interchangeable.

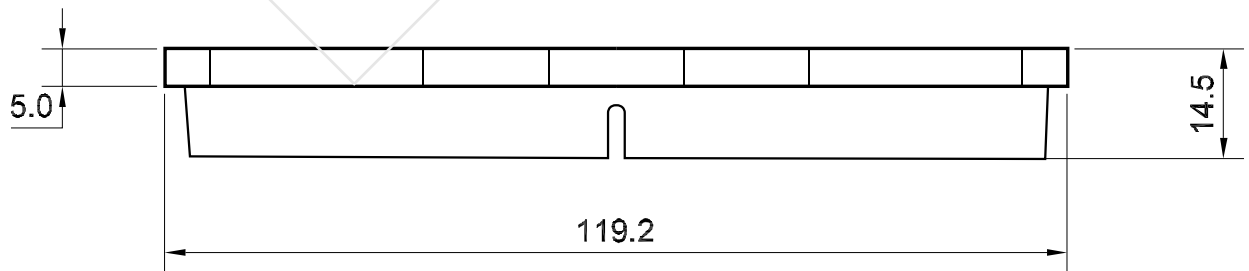
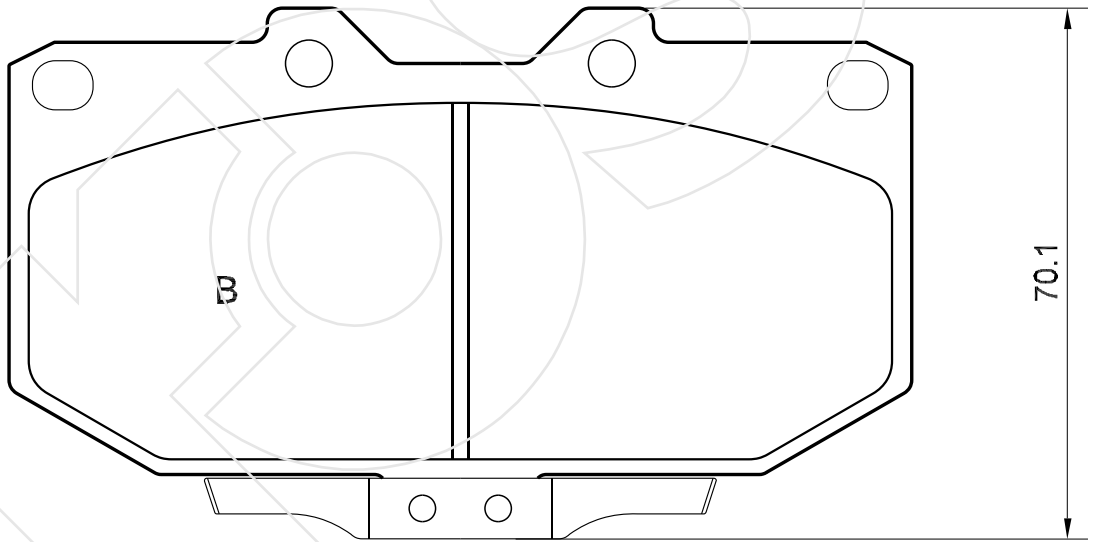
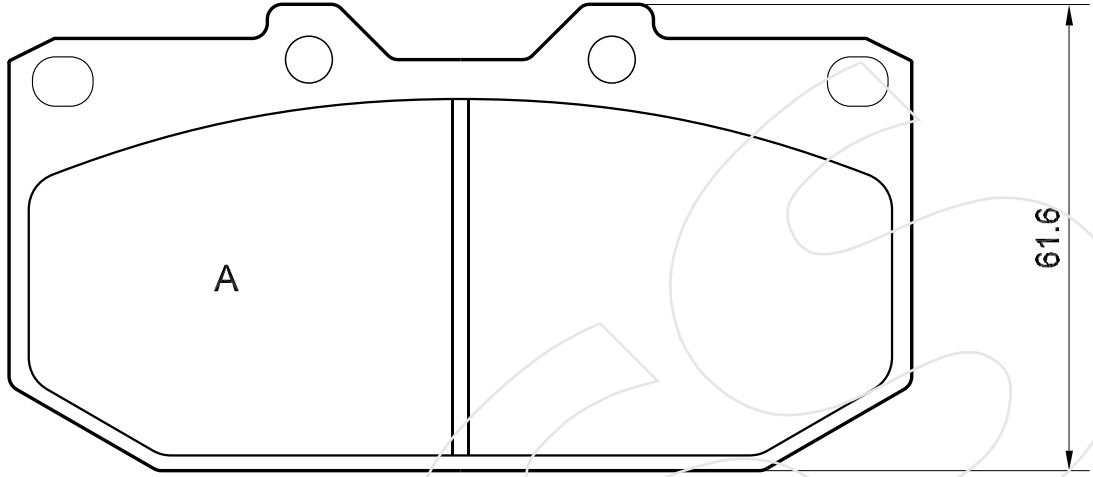


CODICE	IMPIANTO		ASSE	SCALA	APPLICAZIONI
<b>R-648</b>	AKEBONO		ANTERIORE	1:1	HONDA
CODICE COMPONENTI	N°	L(mm)	SERIE		
*	*	*	2 PEZZI TIPO A		
M0092	2	*	2 PEZZI TIPO B		
*	*	*			
CODICE ACCESSORI	N°	L(mm)	NOTE		
			*		
*	*	*	*		
*	*	*	*		
*	*	*	*		



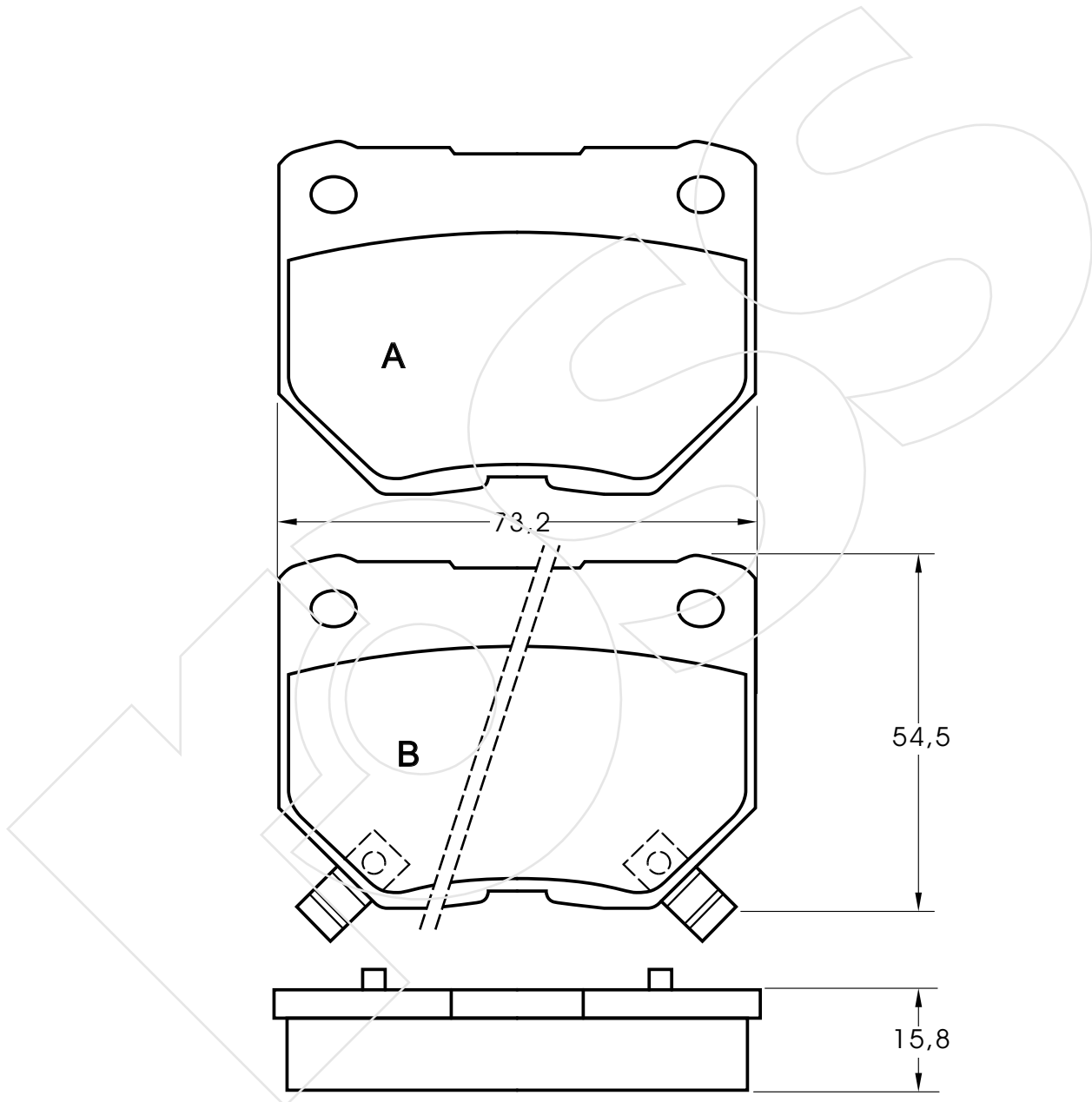
Reference in this Catalogue to other manufactures and to part numbers and other descriptions are for identification purposes only, because the above DISC BRAKE PADS are NOT ORIGINAL but with these interchangeable.

CODICE	IMPIANTO		ASSE	SCALA	APPLICAZIONI
<b>R-649</b>	SUMITOMO		ANTERIORE	100%	NISSAN DATSUN
CODICE COMPONENTI	N°	L(mm)	SERIE		
*	*	*	2 PEZZI TIPO A		
MOO55	2	*	2 PEZZI TIPO B		
*	*	*	*		
OPTIONAL	N°	L(mm)	NOTE		
*	*	*	*		
*	*	*	*		
*	*	*	*		
*	*	*	*		



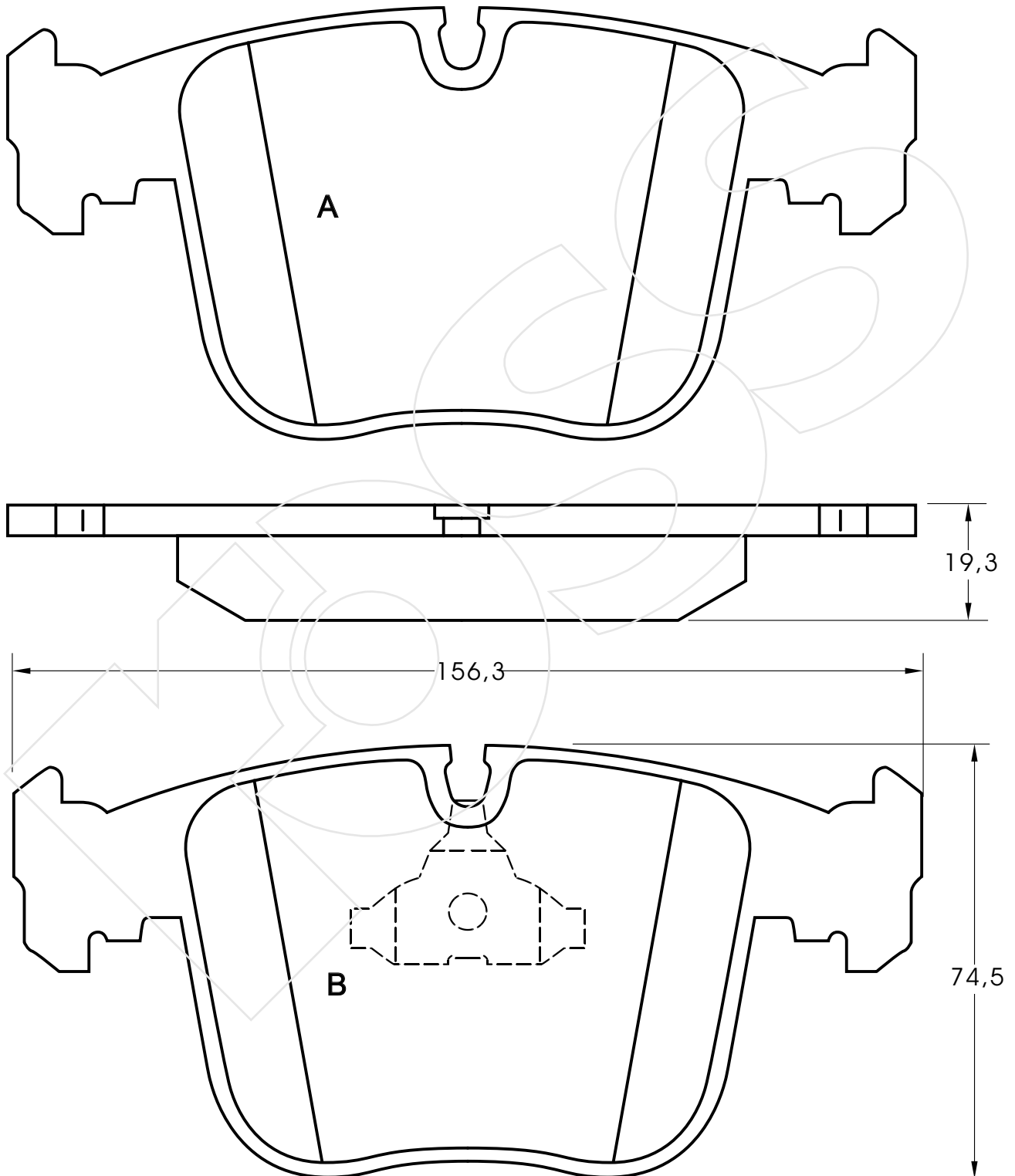
Reference in this Catalogue to other manufactures and to part numbers and other descriptions are for identification purposes only, because the above DISC BRAKE PADS are NOT ORIGINAL but with these interchangeable.

CODICE	IMPIANTO	ASSE	SCALA	APPLICAZIONI
<b>R-650</b>	SUMITOMO	POSTERIORE	1:1	NISSAN-DATSUN
CODICE COMPONENTI	N°	L(mm)	SERIE	
*	*	*	2 PEZZI TIPO A	
M0117	2	*	2 PEZZI TIPO B	
*	*	*		
CODICE ACCESSORI	N°	L(mm)	NOTE	
			*	
*	*	*	*	
*	*	*	*	
*	*	*	*	



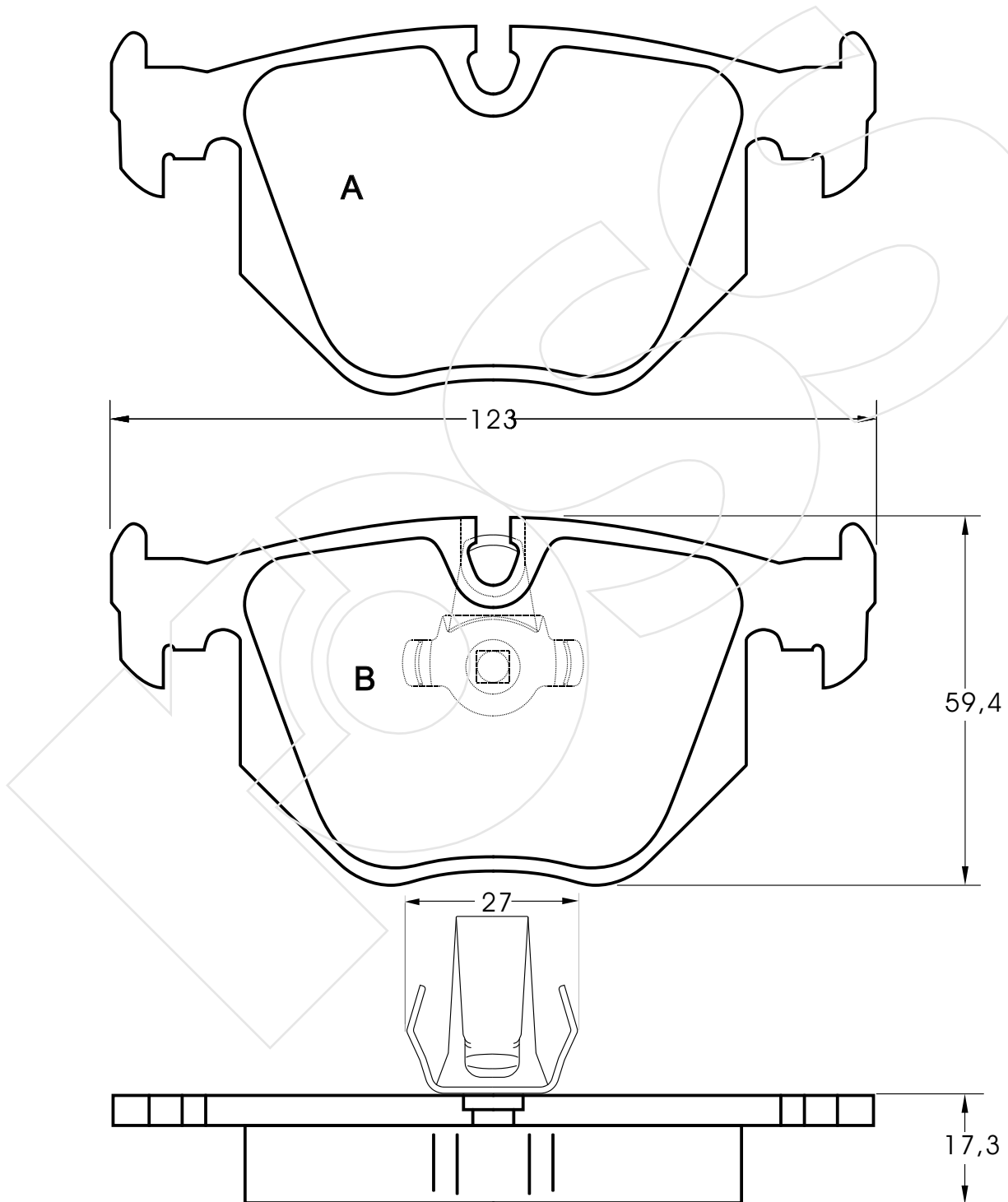
Reference in this Catalogue to other manufactures and to part numbers and other descriptions are for identification purposes only, because the above DISC BRAKE PADS are NOT ORIGINAL but with these interchangeable.

CODICE	IMPIANTO		ASSE	SCALA	APPLICAZIONI
<b>R-651</b>	ATE		ANTERIORE	1:1	BMW
CODICE COMPONENTI	N°	L(mm)	SERIE		
*	*	*	2 PEZZI TIPO A		
M0029+P1002	2+2	*	2 PEZZI TIPO B		
*	*	*			
CODICE ACCESSORI	N°	L(mm)	NOTE		
			*		
*	*	*	*		
*	*	*	*		
*	*	*	*		



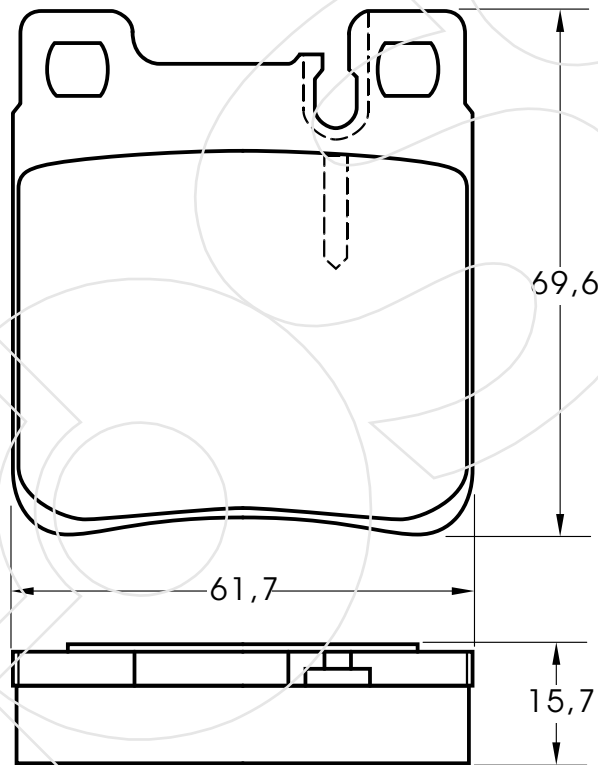
Reference in this Catalogue to other manufactures and to part numbers and other descriptions are for identification purposes only, because the above DISC BRAKE PADS are NOT ORIGINAL but with these interchangeable.

CODICE	IMPIANTO		ASSE	SCALA	APPLICAZIONI
<b>R-652</b>	ATE		POSTERIORE	1:1	BMW
CODICE COMPONENTI	N°	L(mm)	SERIE		
*	*	*	2 PEZZI TIPO A		
M0145+P1002	2+2	*	2 PEZZI TIPO B		
*	*	*			
CODICE ACCESSORI	N°	L(mm)	NOTE		
*	*	*	*		
*	*	*	*		
*	*	*	*		



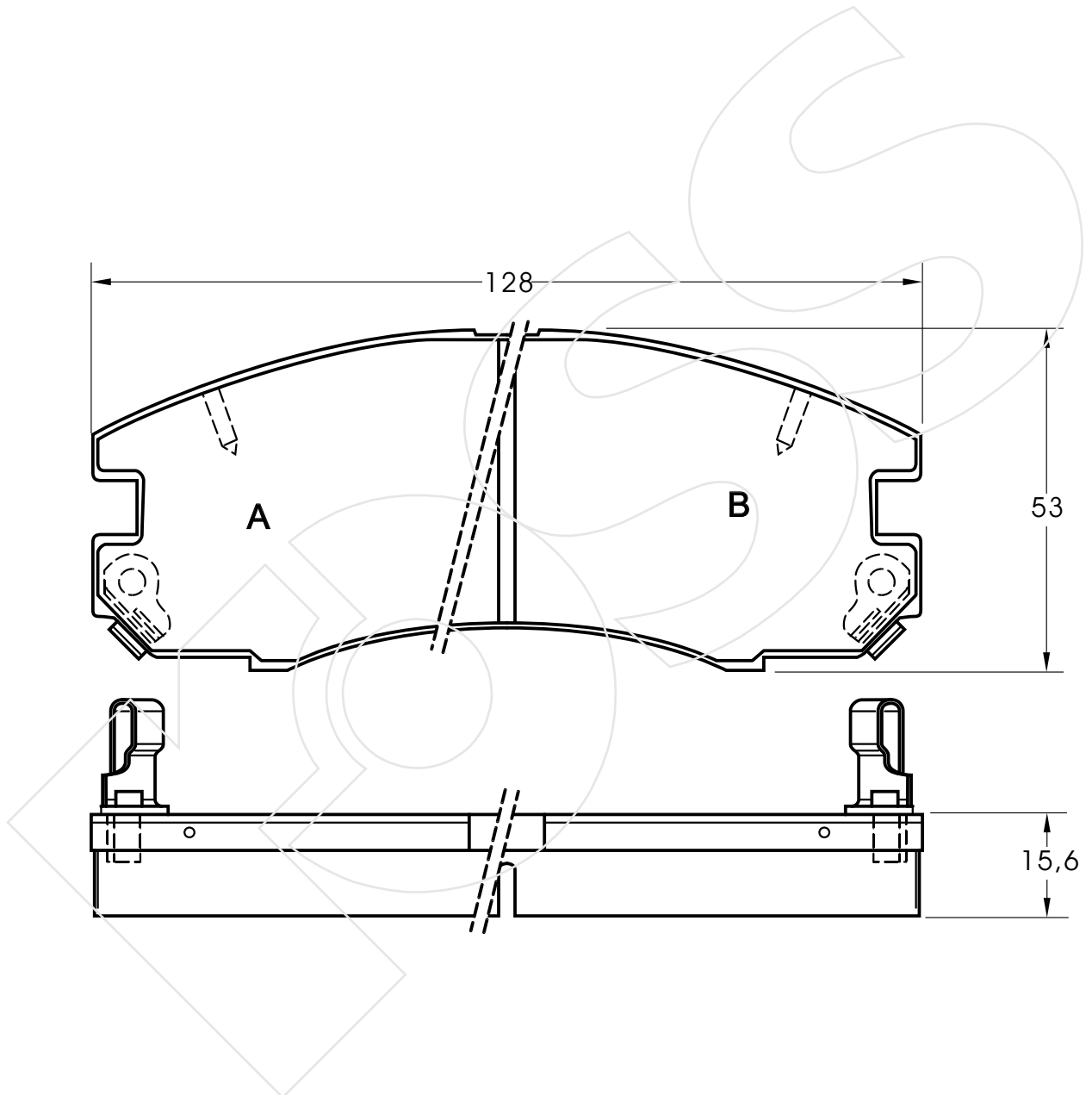
Reference in this Catalogue to other manufactures and to part numbers and other descriptions are for identification purposes only, because the above DISC BRAKE PADS are NOT ORIGINAL but with these interchangeable.

CODICE	IMPIANTO		ASSE	SCALA	APPLICAZIONI
<b>R-653</b>	ATE		POSTERIORE	1:1	MERCEDES
CODICE COMPONENTI	N°	L(mm)	SERIE		
*	*	*	4 PEZZI		
*	*	*			
*	*	*			
CODICE ACCESSORI	N°	L(mm)	NOTE		
			*		
*	*	*	*		
*	*	*	*		
*	*	*	*		



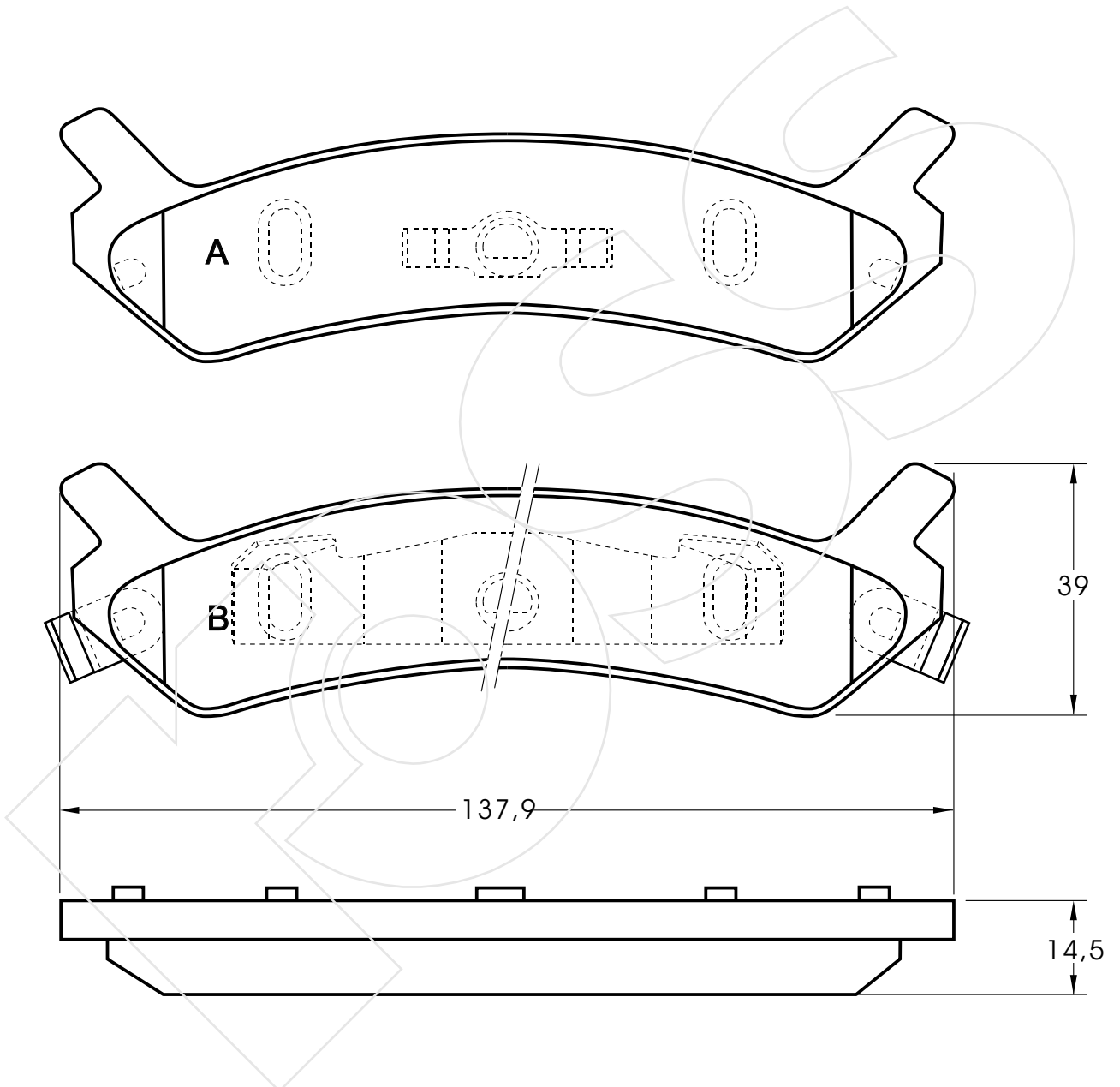
Reference in this Catalogue to other manufactures and to part numbers and other descriptions are for identification purposes only, because the above DISC BRAKE PADS are NOT ORIGINAL but with these interchangeable.

CODICE	IMPIANTO		ASSE	SCALA	APPLICAZIONI
<b>R-654</b>	AKEBONO		ANTERIORE	1:1	TOYOTA
CODICE COMPONENTI	N°	L(mm)	SERIE		
M0094	2	*	2 PEZZI TIPO A		
M0095	2	*	2 PEZZI TIPO B		
*	*				
CODICE ACCESSORI	N°	L(mm)	NOTE		
			*		
*	*		*		
*	*		*		
*	*		*		



Reference in this Catalogue to other manufactures and to part numbers and other descriptions are for identification purposes only, because the above DISC BRAKE PADS are NOT ORIGINAL but with these interchangeable.

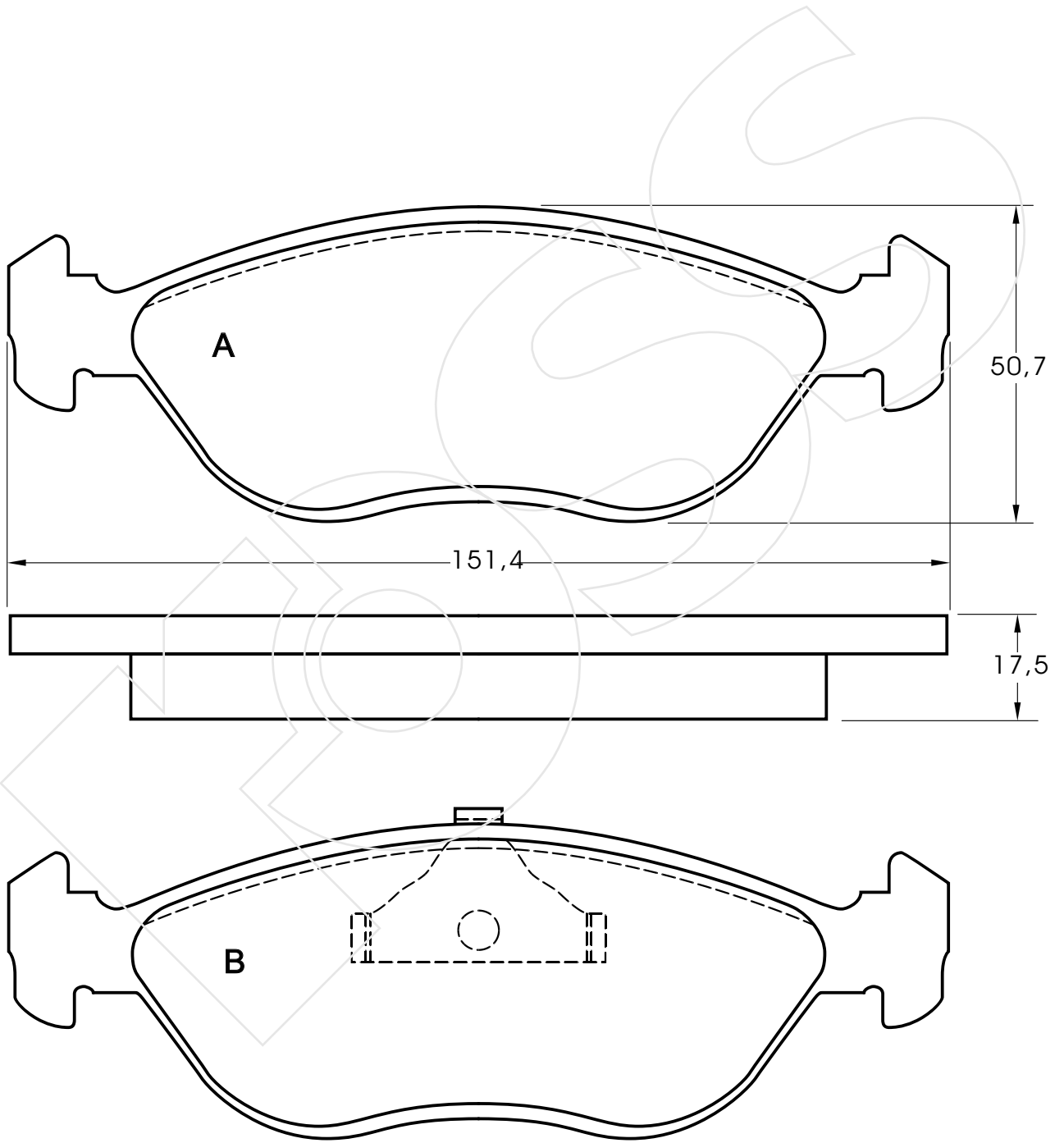
CODICE	IMPIANTO		ASSE	SCALA	APPLICAZIONI
<b>R-655</b>	AKEBONO		POSTERIORE	1:1	HYUNDAI
CODICE COMPONENTI	N°	L(mm)	SERIE		
M0120	2	*	2 PEZZI TIPO A		
M0118+M0119	2+2	*	2 PEZZI TIPO B		
*	*				
CODICE ACCESSORI	N°	L(mm)	NOTE		
			*		
*	*		*		
*	*		*		
*	*		*		



Reference in this Catalogue to other manufactures and to part numbers and other descriptions are for identification purposes only, because the above DISC BRAKE PADS are NOT ORIGINAL but with these interchangeable.

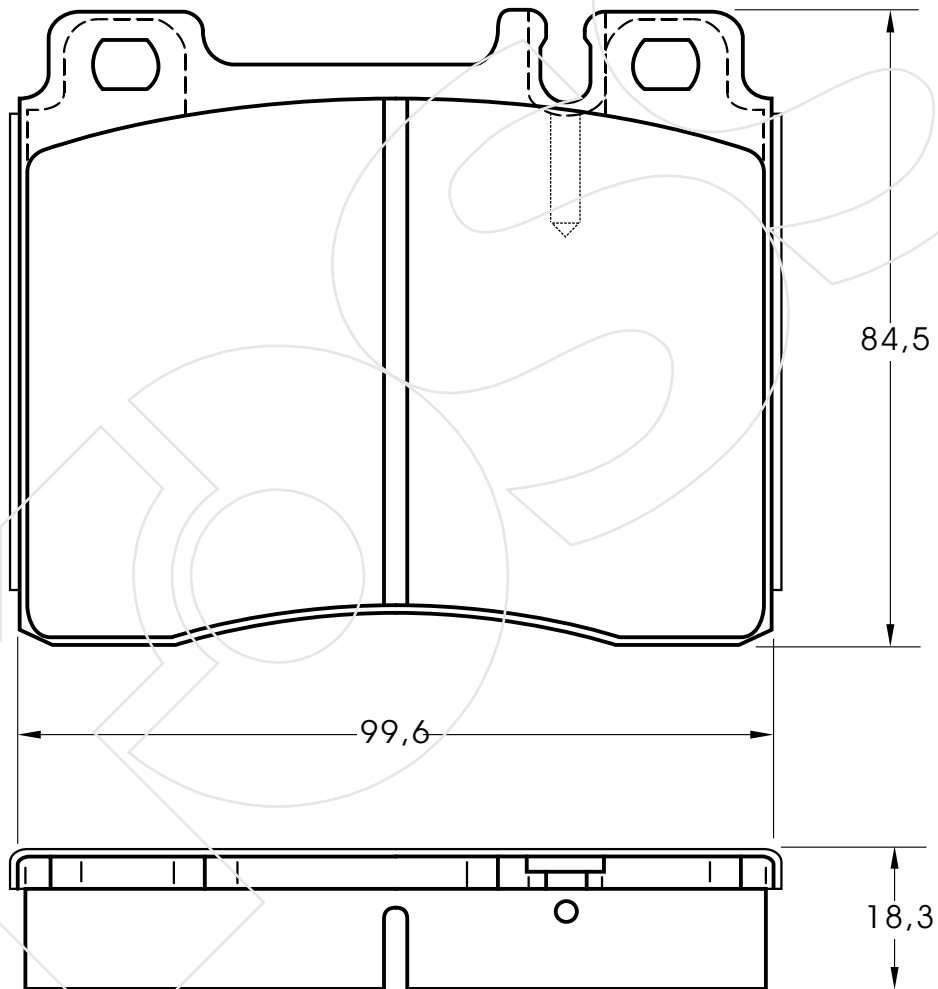


CODICE	IMPIANTO		ASSE	SCALA	APPLICAZIONI
<b>R-656</b>	ATE		ANTERIORE	1:1	VOLVO
CODICE COMPONENTI	N°	L(mm)	SERIE		
*	*	*	2 PEZZI TIPO A		
M0011+P1002	2+2	*	2 PEZZI TIPO B		
*	*	*			
CODICE ACCESSORI	N°	L(mm)	NOTE		
*	*	*	*		
*	*	*	*		
*	*	*	*		



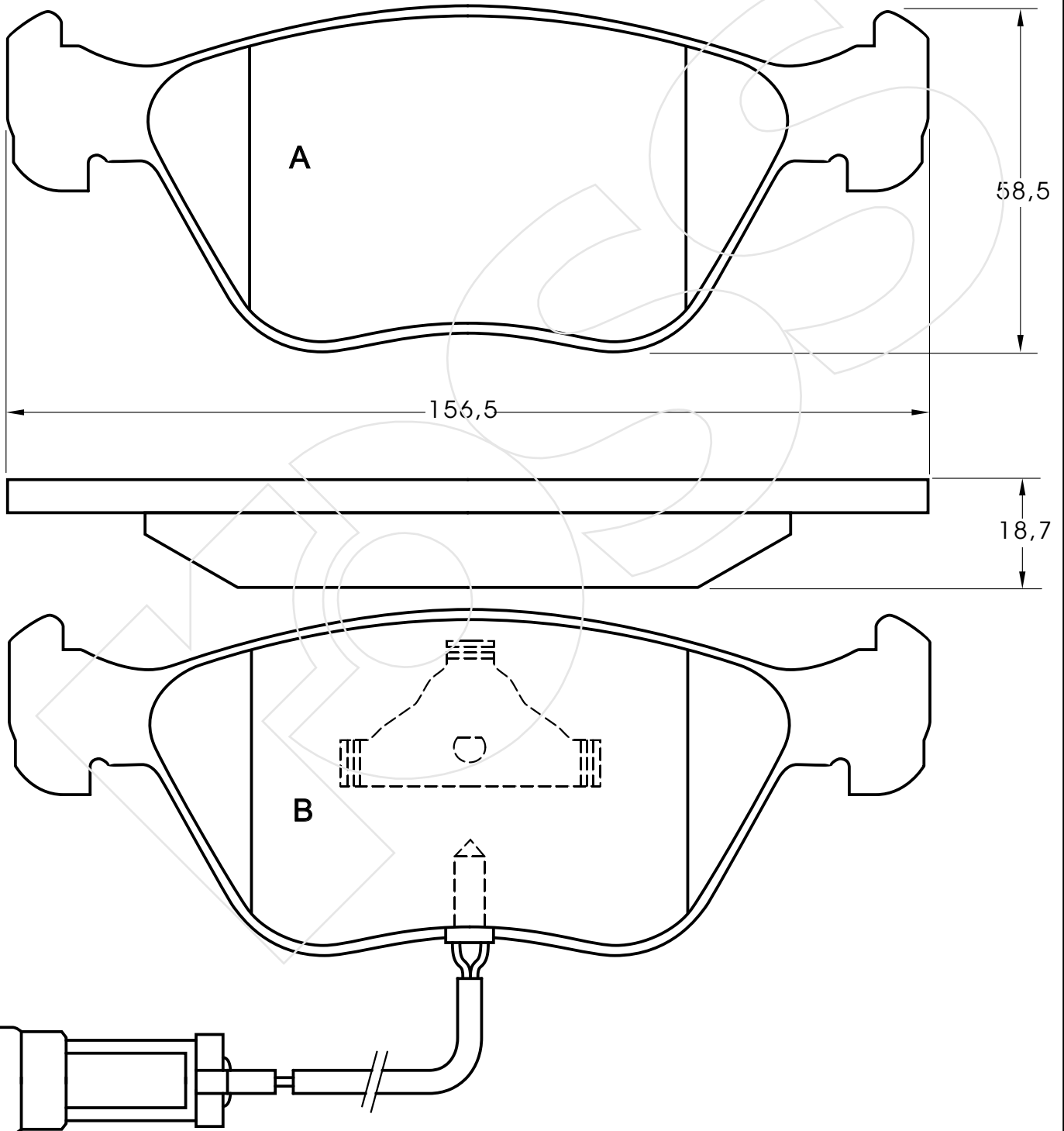
Reference in this Catalogue to other manufactures and to part numbers and other descriptions are for identification purposes only, because the above DISC BRAKE PADS are NOT ORIGINAL but with these interchangeable.

CODICE	IMPIANTO		ASSE	SCALA	APPLICAZIONI
<b>R-657</b>	ATE		ANTERIORE	1:1	MERCEDES
CODICE COMPONENTI	N°	L(mm)	SERIE		
A003	4	*	4 PEZZI		
*	*	*			
*	*				
CODICE ACCESSORI	N°	L(mm)	NOTE		
			*		
*	*		*		
*	*		*		
*	*		*		



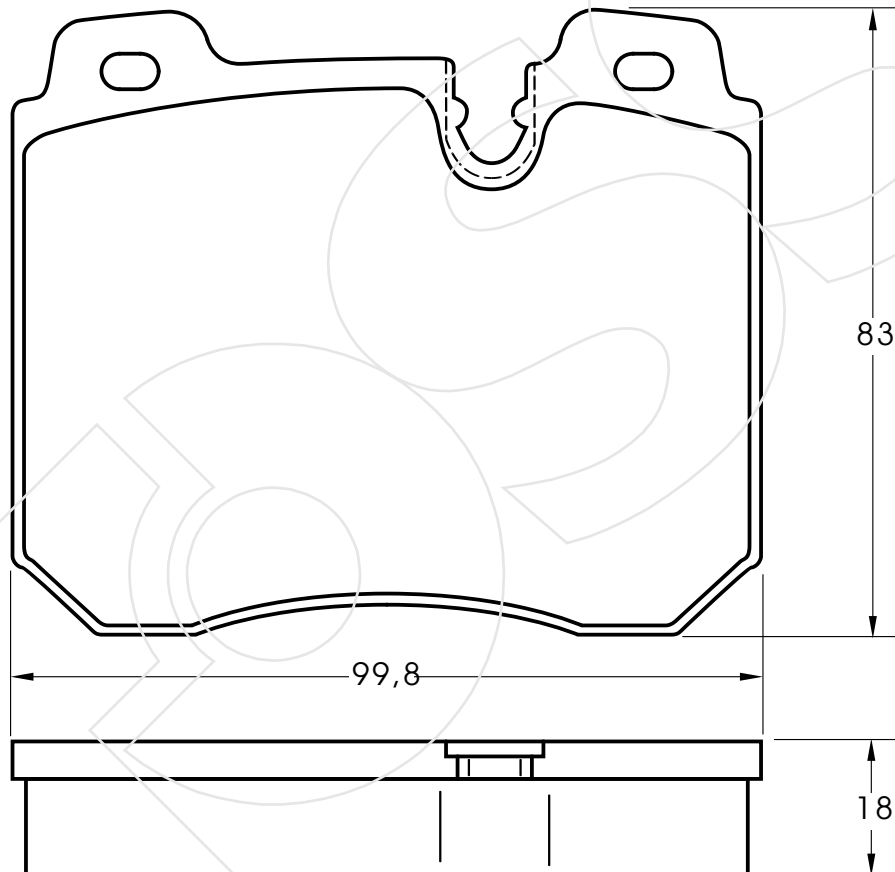
Reference in this Catalogue to other manufactures and to part numbers and other descriptions are for identification purposes only, because the above DISC BRAKE PADS are NOT ORIGINAL but with these interchangeable.

CODICE	IMPIANTO		ASSE	SCALA	APPLICAZIONI
<b>R-658</b>	ATE		ANTERIORE	1:1	FORD
CODICE COMPONENTI	N°	L(mm)	SERIE		
*	*	*	2 PEZZI TIPO A		
M0029+P1002+F3069	2+2+2	280	2 PEZZI TIPO B		
*	*				
CODICE ACCESSORI	N°	L(mm)	NOTE		
			*		
*	*		*		
*	*		*		
*	*		*		



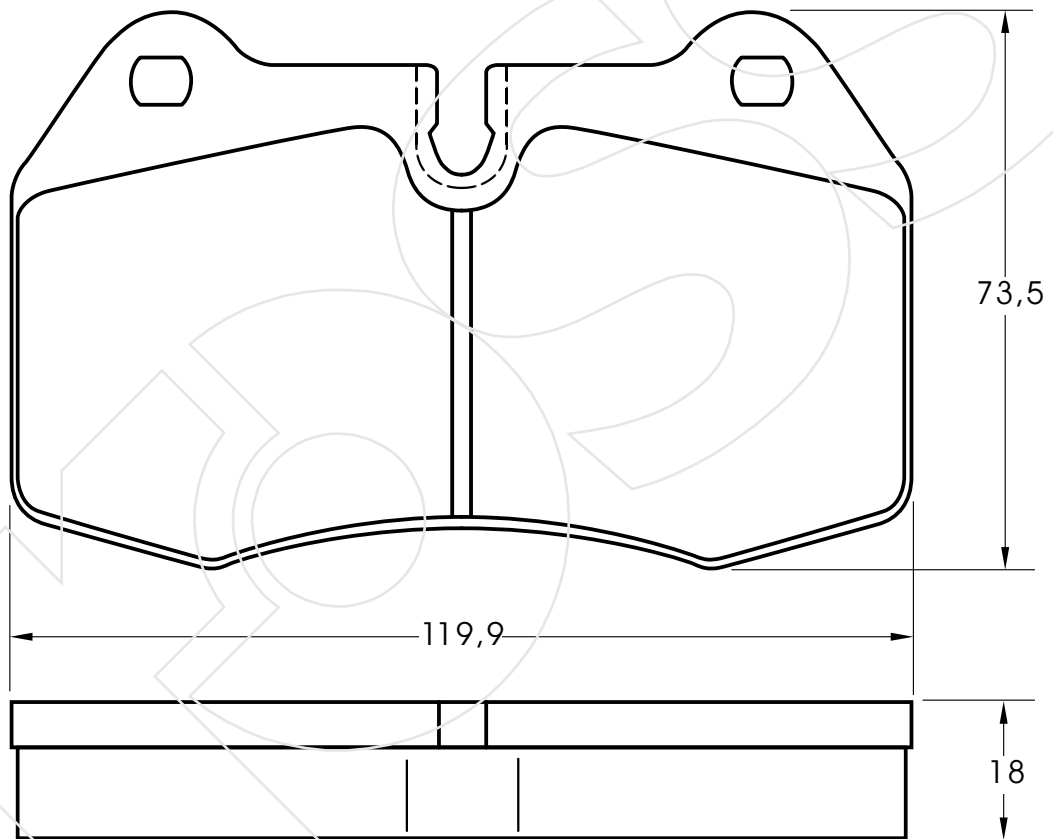
Reference in this Catalogue to other manufactures and to part numbers and other descriptions are for identification purposes only, because the above DISC BRAKE PADS are NOT ORIGINAL but with these interchangeable.

CODICE	IMPIANTO		ASSE	SCALA	APPLICAZIONI
<b>R-659</b>	ATE		ANTERIORE	1:1	BMW
CODICE COMPONENTI	N°	L(mm)	SERIE		
*	*	*	4 PEZZI		
*	*	*			
*	*	*			
CODICE ACCESSORI	N°	L(mm)	NOTE		
			*		
*	*	*	*		
*	*	*	*		
*	*	*	*		



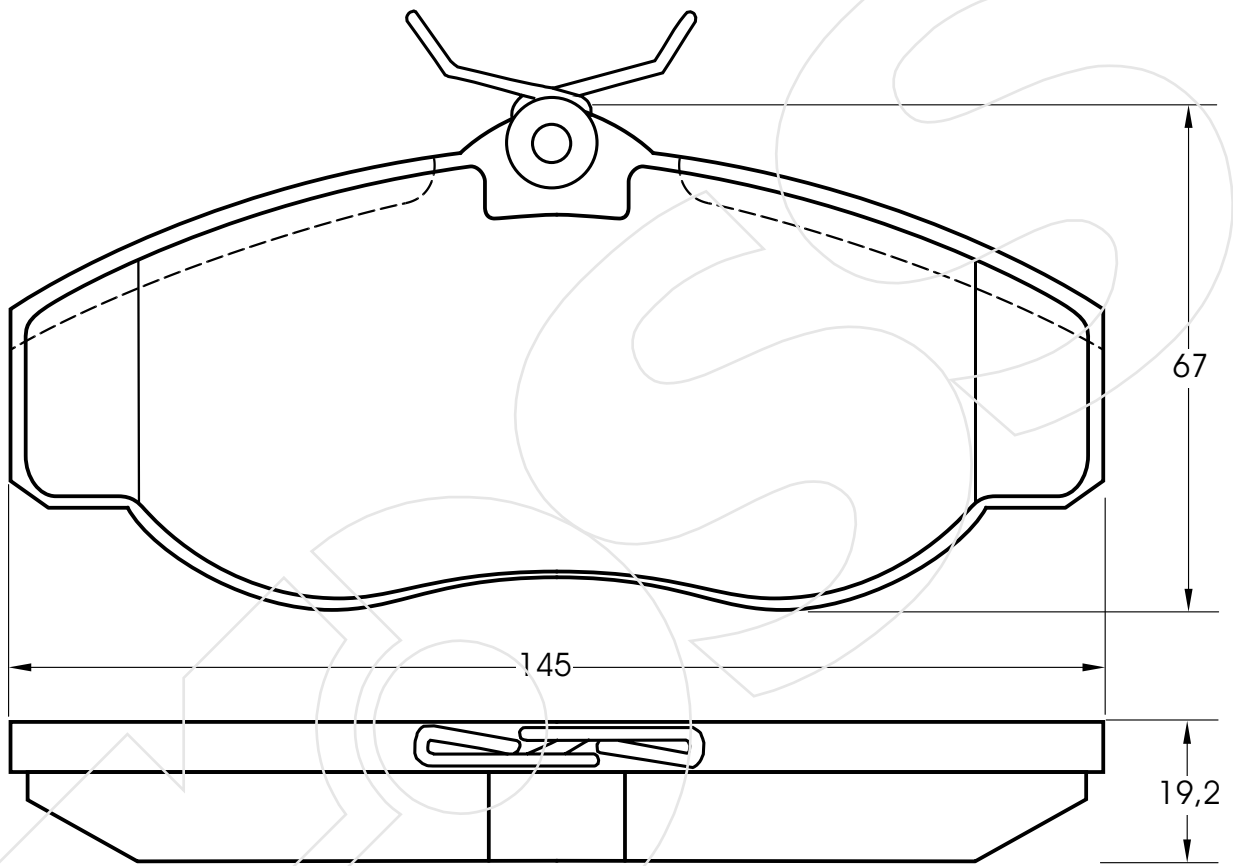
Reference in this Catalogue to other manufactures and to part numbers and other descriptions are for identification purposes only, because the above DISC BRAKE PADS are NOT ORIGINAL but with these interchangeable.

CODICE	IMPIANTO		ASSE	SCALA	APPLICAZIONI
<b>R-660</b>	BREMBO		ANTERIORE	1:1	BMW
CODICE COMPONENTI	N°	L(mm)	SERIE		
*	*	*	4 PEZZI		
*	*	*			
*	*	*			
CODICE ACCESSORI	N°	L(mm)	NOTE		
			*		
*	*	*	*		
*	*	*	*		
*	*	*	*		



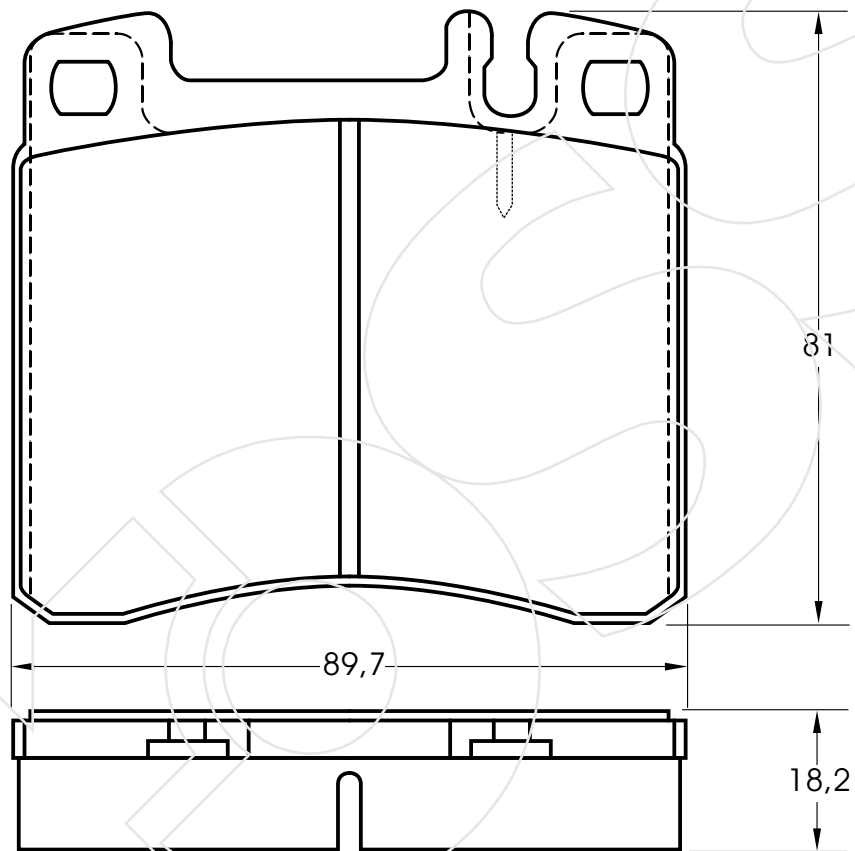
Reference in this Catalogue to other manufactures and to part numbers and other descriptions are for identification purposes only, because the above DISC BRAKE PADS are NOT ORIGINAL but with these interchangeable.

CODICE	IMPIANTO		ASSE	SCALA	APPLICAZIONI
<b>R-661</b>	GIRLING		ANTERIORE	100%	LAND ROVER
CODICE COMPONENTI	N°	L(mm)	SERIE		
MOO15+P1004	4+4	*	4 PEZZI		
*	*	*			
*	*	*			
*	*	*			
CODICE ACCESSORI	N°	L(mm)	NOTE		
*	*	*			
*	*	*			
*	*	*			
*	*	*			



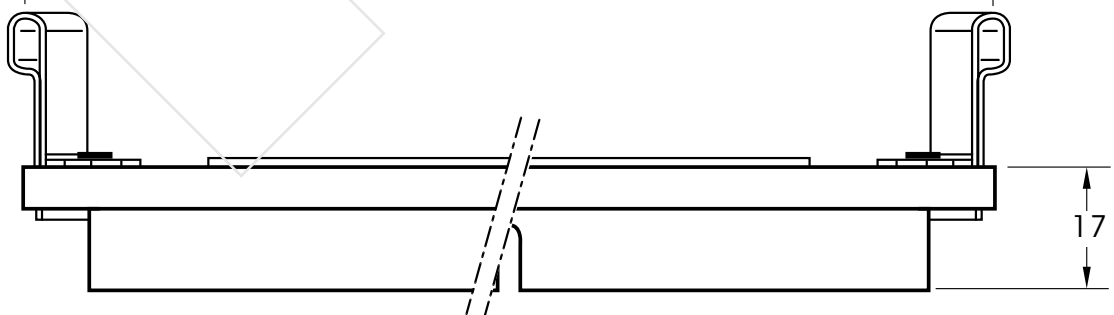
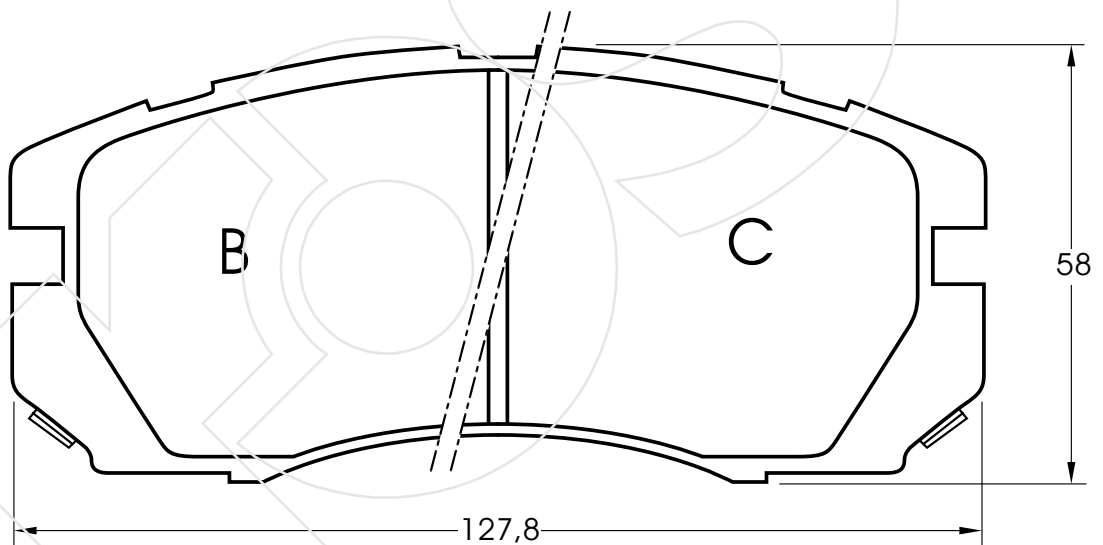
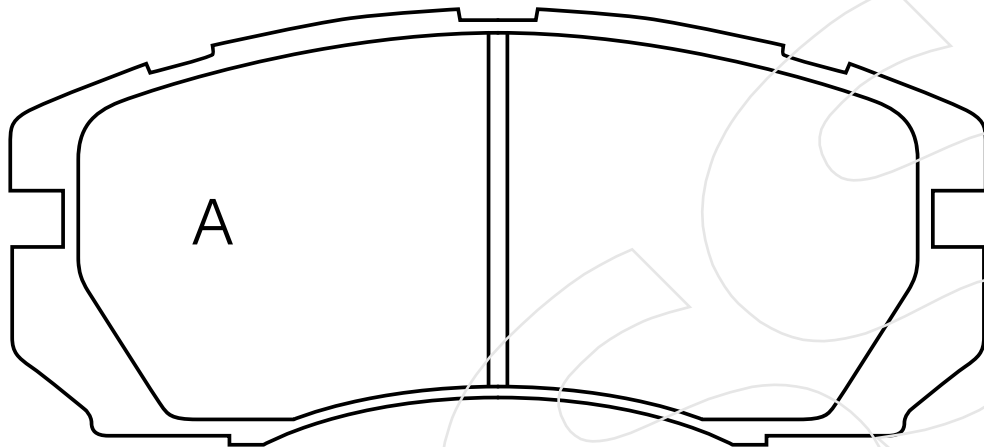
Reference in this Catalogue to other manufactures and to part numbers and other descriptions are for identification purposes only, because the above DISC BRAKE PADS are NOT ORIGINAL but with these interchangeable.

CODICE	IMPIANTO		ASSE	SCALA	APPLICAZIONI
<b>R-662</b>	ATE		ANTERIORE	100%	MERCEDES
CODICE COMPONENTI	N°	L(mm)	SERIE		
*	*	*	4 PEZZI		
*	*	*			
*	*	*			
*	*	*			
CODICE ACCESSORI	N°	L(mm)	NOTE		
*	*	*			
*	*	*			
*	*	*			
*	*	*			



Reference in this Catalogue to other manufactures and to part numbers and other descriptions are for identification purposes only, because the above DISC BRAKE PADS are NOT ORIGINAL but with these interchangeable.

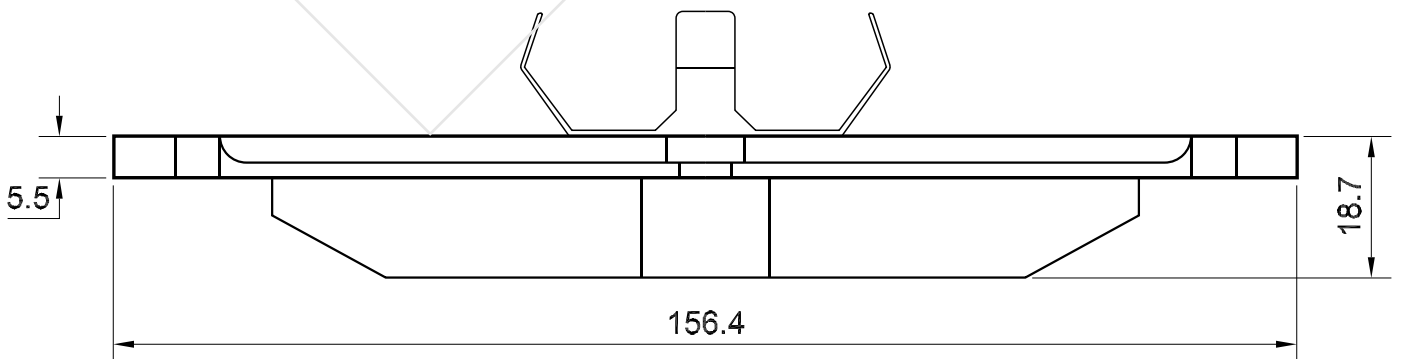
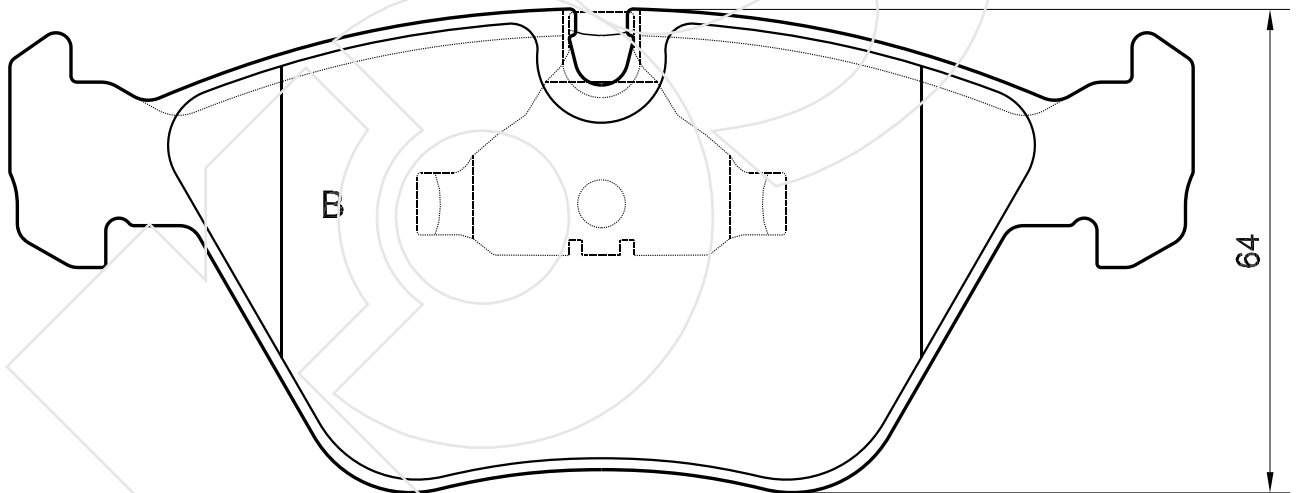
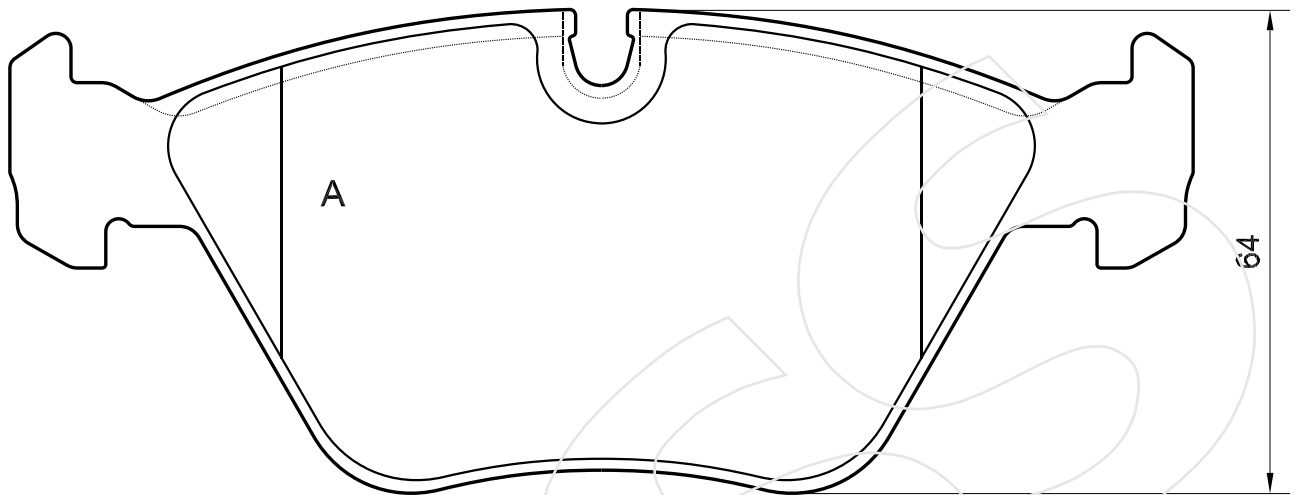
CODICE	IMPIANTO		ASSE	SCALA	APPLICAZIONI
<b>R-663</b>	AKEBONO		ANTERIORE	100%	SUBARU
CODICE COMPONENTI	N°	L(mm)	SERIE		
*	*	*	2 PEZZI TIPO A		
M0095	1	*	1 PEZZO TIPO B		
M0094	1	*	1 PEZZO TIPO C		
*	*	*	*		
CODICE ACCESSORI	N°	L(mm)	NOTE		
*	*	*			
*	*	*			
*	*	*			
*	*	*			



Reference in this Catalogue to other manufactures and to part numbers and other descriptions are for identification purposes only, because the above DISC BRAKE PADS are NOT ORIGINAL but with these interchangeable.

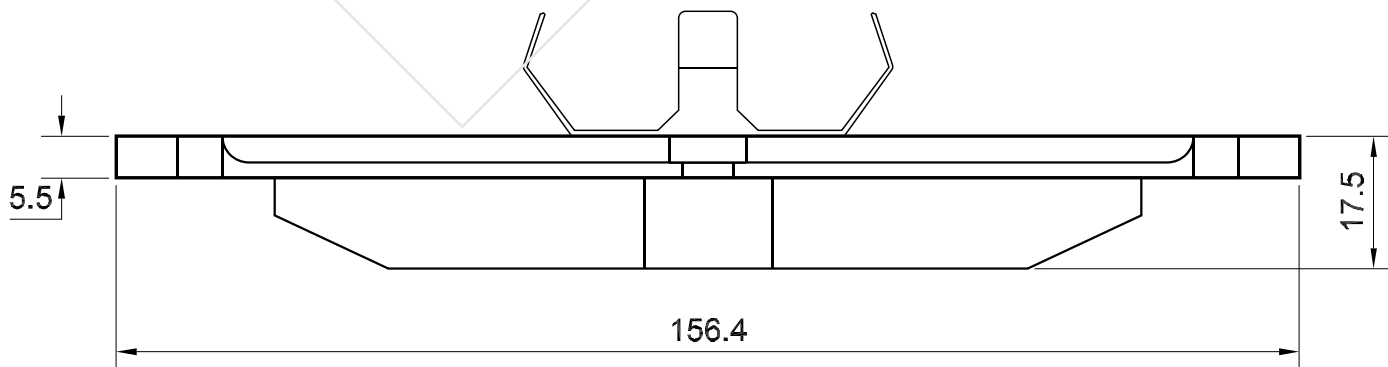
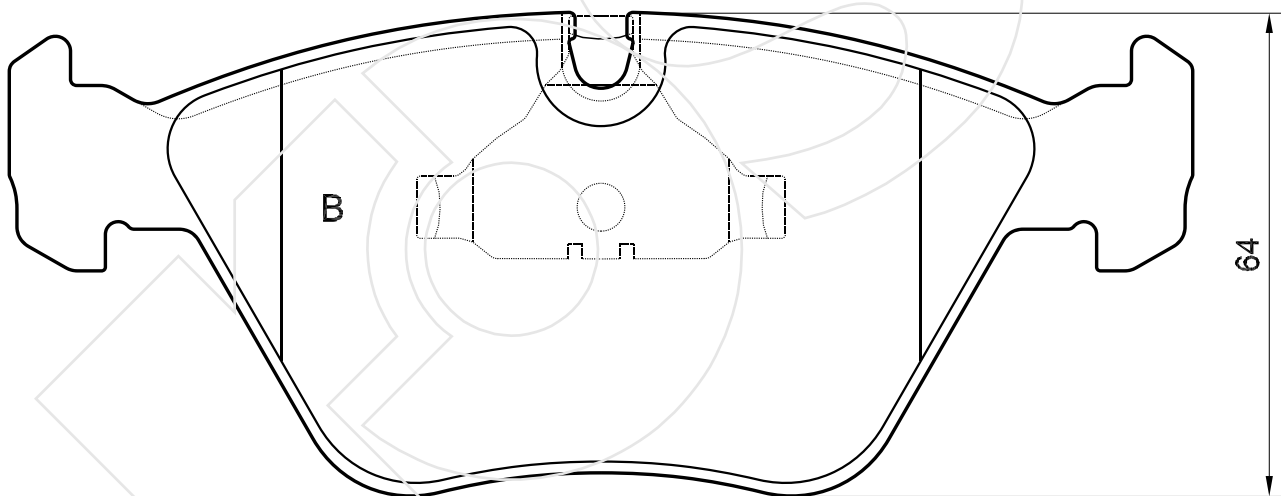
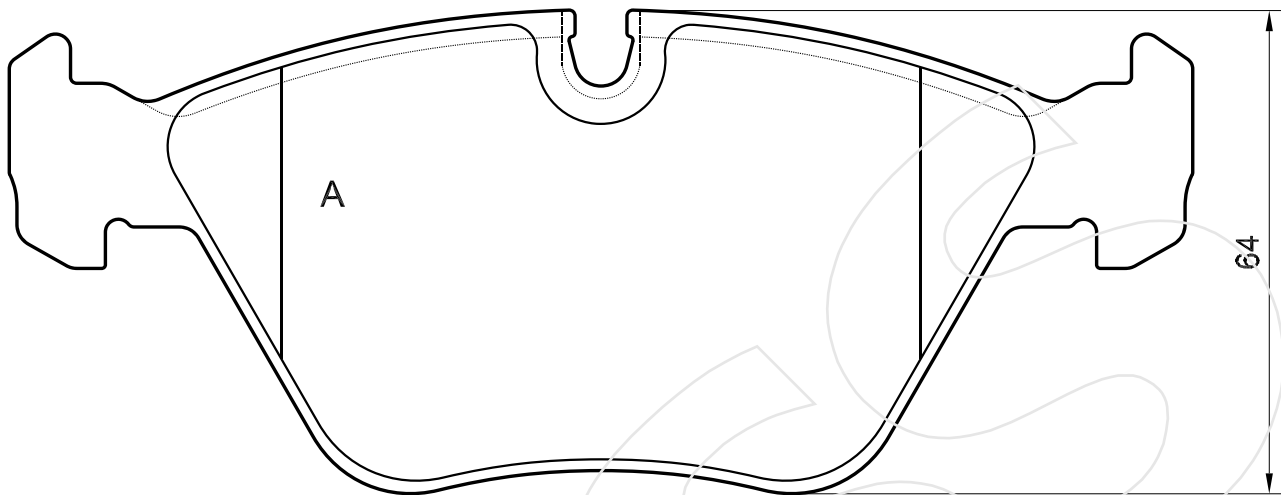


CODICE	IMPIANTO		ASSE	SCALA	APPLICAZIONI
<b>R-664</b>	ATE		ANTERIORE	100%	AUDI
CODICE COMPONENTI	N°	L(mm)	SERIE		
*	*	*	2 PEZZI TIPO A		
M0029+P1002	2+2	*	2 PEZZI TIPO B		
*	*	*	*		
*	*	*	*		
CODICE ACCESSORI	N°	L(mm)	NOTE		
*	*	*			
*	*	*			
*	*	*			
*	*	*			



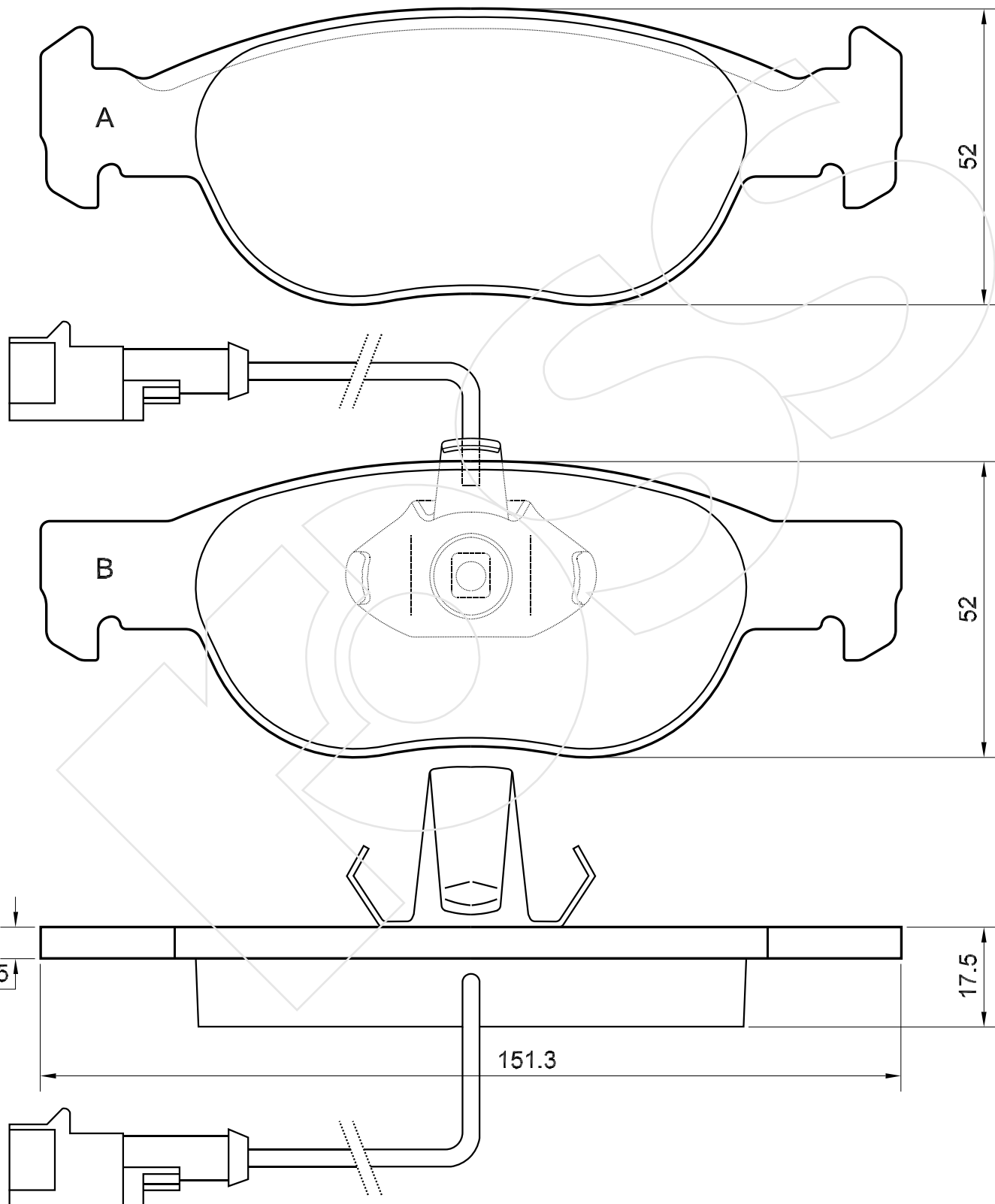
Reference in this Catalogue to other manufactures and to part numbers and other descriptions are for identification purposes only, because the above DISC BRAKE PADS are NOT ORIGINAL but with these interchangeable.

CODICE	IMPIANTO		ASSE	SCALA	APPLICAZIONI
<b>R-665</b>	ATE		ANTERIORE	100%	JAGUAR
CODICE COMPONENTI	N°	L(mm)	SERIE		
*	*	*	2 PEZZI TIPO A		
M0029+P1002	2+2	*	2 PEZZI TIPO B		
*	*	*	*		
*	*	*	*		
CODICE ACCESSORI	N°	L(mm)	NOTE		
*	*	*			
*	*	*			
*	*	*			
*	*	*			



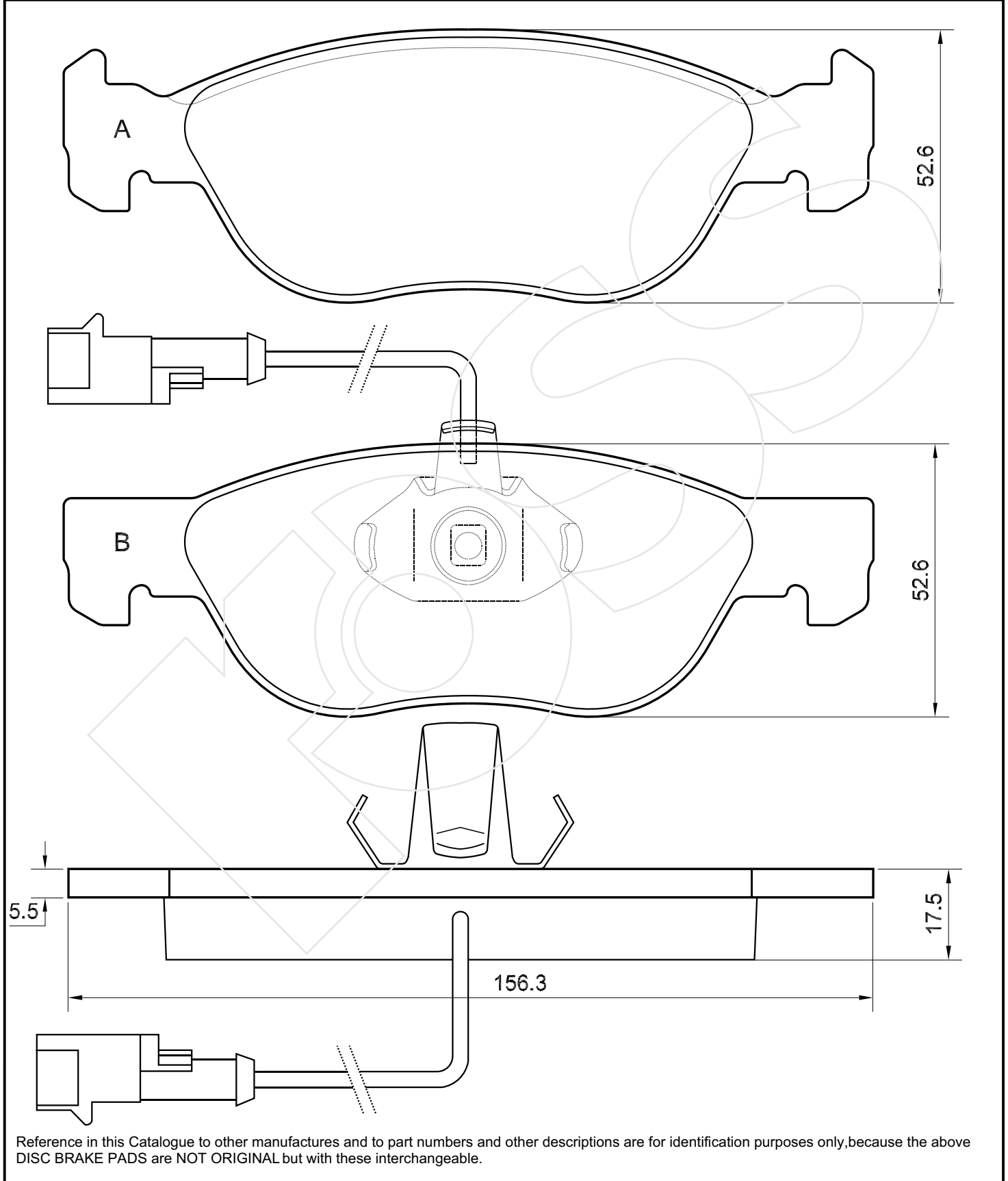
Reference in this Catalogue to other manufactures and to part numbers and other descriptions are for identification purposes only, because the above DISC BRAKE PADS are NOT ORIGINAL but with these interchangeable.

CODICE	IMPIANTO	ASSE	SCALA	APPLICAZIONI
<b>R-666</b>	ATE	ANTERIORE	100%	FIAT LANCIA
CODICE COMPONENTI	N°	L(mm)	SERIE	
*	*	*	2 PEZZI TIPO A	
M0121+F3019	1+1	220	1 PEZZO TIPO B	
M0121	1	*	1 PEZZO SENZA SEGNALATORE	
*	*	*	*	
CODICE ACCESSORI	N°	L(mm)	NOTE	
*	*	*		
*	*	*		
*	*	*		
*	*	*		

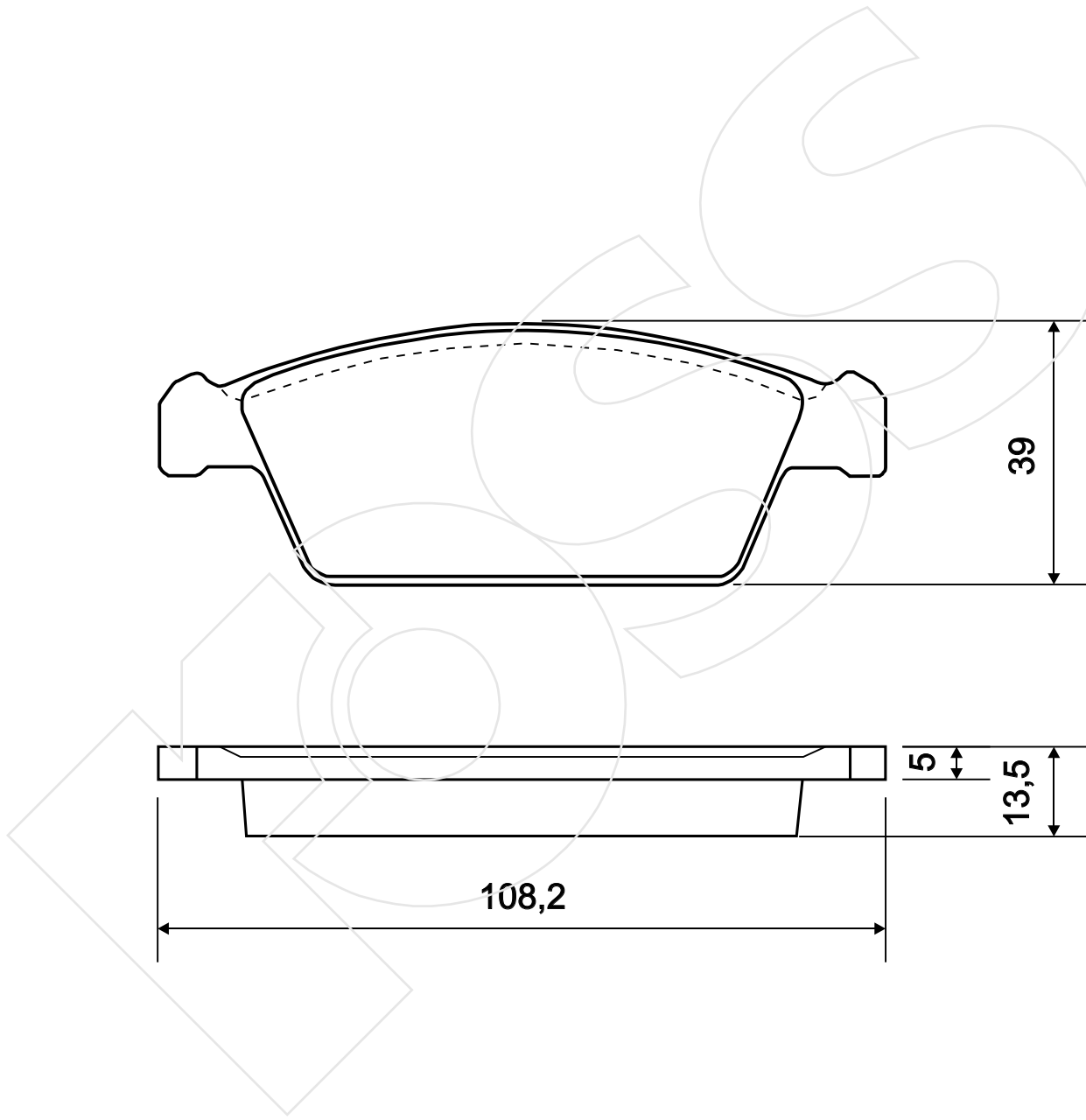


Reference in this Catalogue to other manufactures and to part numbers and other descriptions are for identification purposes only, because the above DISC BRAKE PADS are NOT ORIGINAL but with these interchangeable.

CODICE	IMPIANTO		ASSE	SCALA	APPLICAZIONI
<b>R-667</b>	ATE		ANTERIORE	100%	ALFAROMEO FIAT LANCIA
CODICE COMPONENTI	N°	L(mm)	SERIE		
*	*	*	2 PEZZI TIPO A		
M0121+F3019	1+1	220	1 PEZZO TIPO B		
M0121	1	*	1 PEZZO SENZA SEGNALE		
*	*	*	*		
CODICE ACCESSORI	N°	L(mm)	NOTE		
*	*	*			
*	*	*			
*	*	*			
*	*	*			

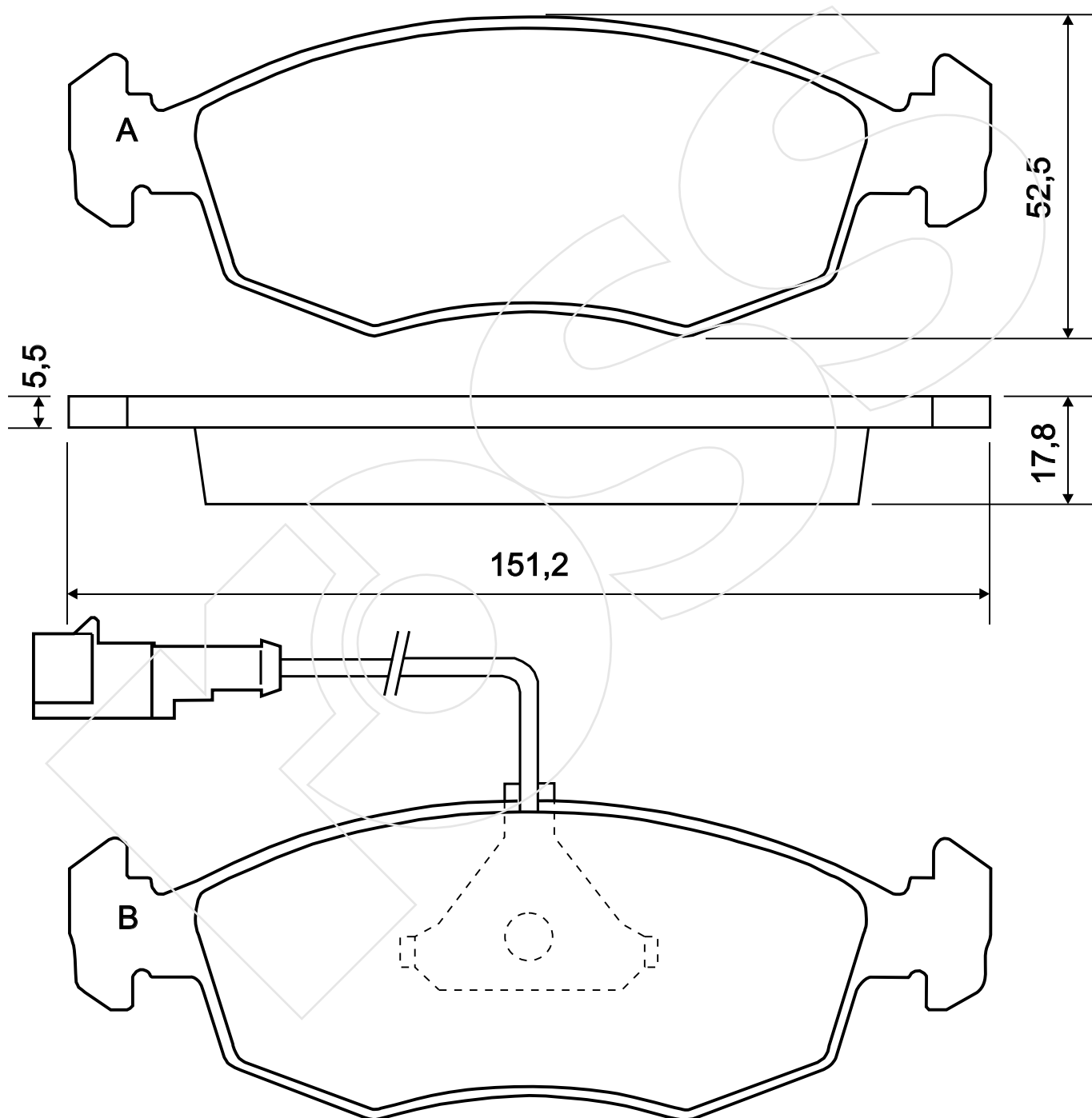


CODICE	IMPIANTO		ASSE	SCALA	APPLICAZIONI
<b>R-668</b>			POSTERIORE	1:1	DAEWOOD
CODICE COMPONENTI	N°	L(mm)	SERIE		
*	*	*	4 PEZZI		
*	*	*			
*	*	*			
CODICE ACCESSORI	N°	L(mm)	NOTE		
*	*	*			
*	*	*			
*	*	*			
*	*	*			



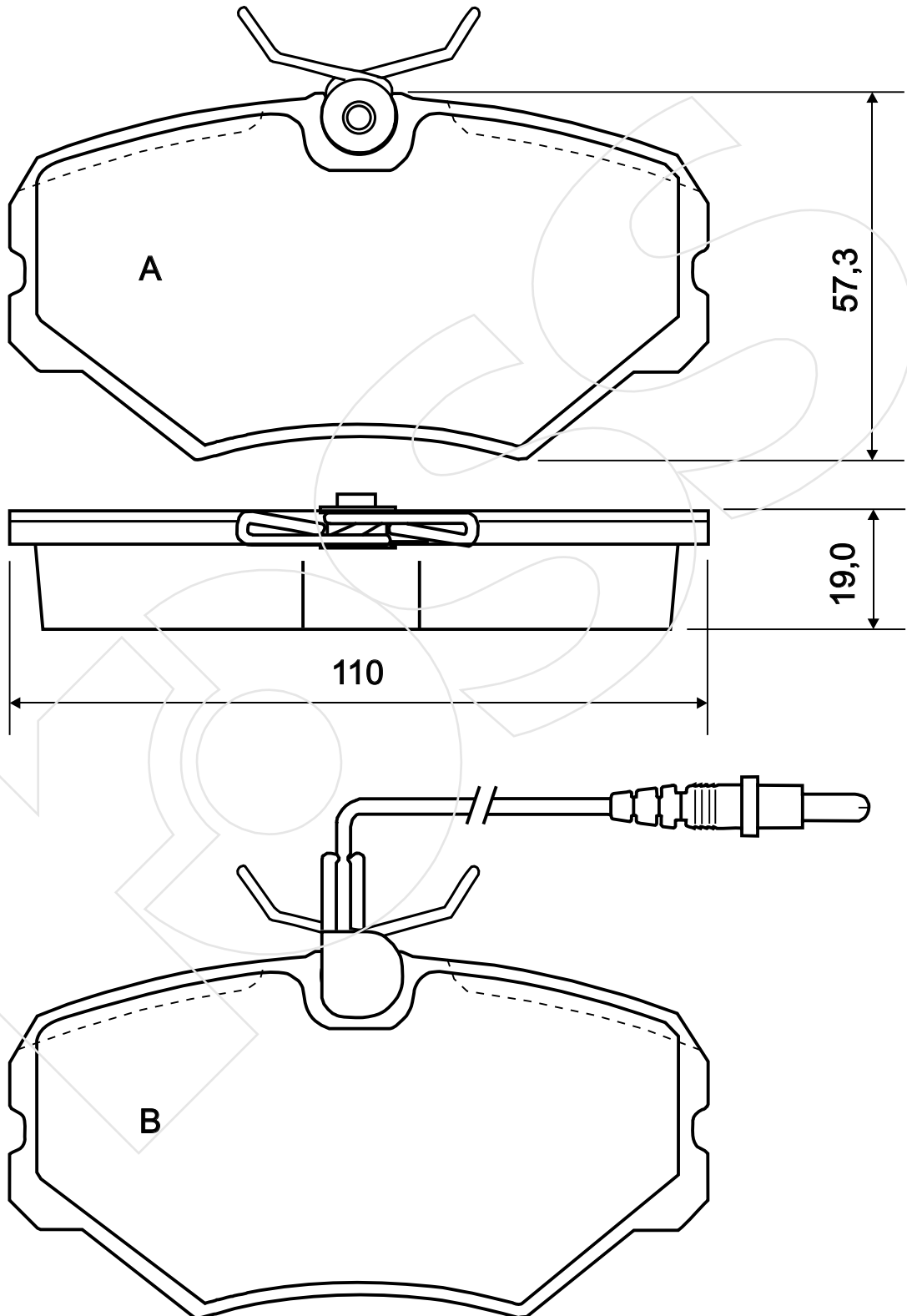
Reference in this Catalogue to other manufactures and to part numbers and other descriptions are for identification purposes only, because the above DISC BRAKE PADS are NOT ORIGINAL but with these interchangeable.

CODICE	IMPIANTO		ASSE	SCALA	APPLICAZIONI
<b>R-669</b>			ANTERIORE	1:1	FIAT Brasil
CODICE COMPONENTI	N°	L(mm)	SERIE		
M0029+P1002+F3020	2+2+2	270	2 PEZZI TIPO A		
*	*		2 PEZZI TIPO B		
	*		*		
	*		*		
CODICE ACCESSORI	N°	L(mm)	NOTE		
*	*		*		
*	*		*		
*	*		*		
*	*		*		



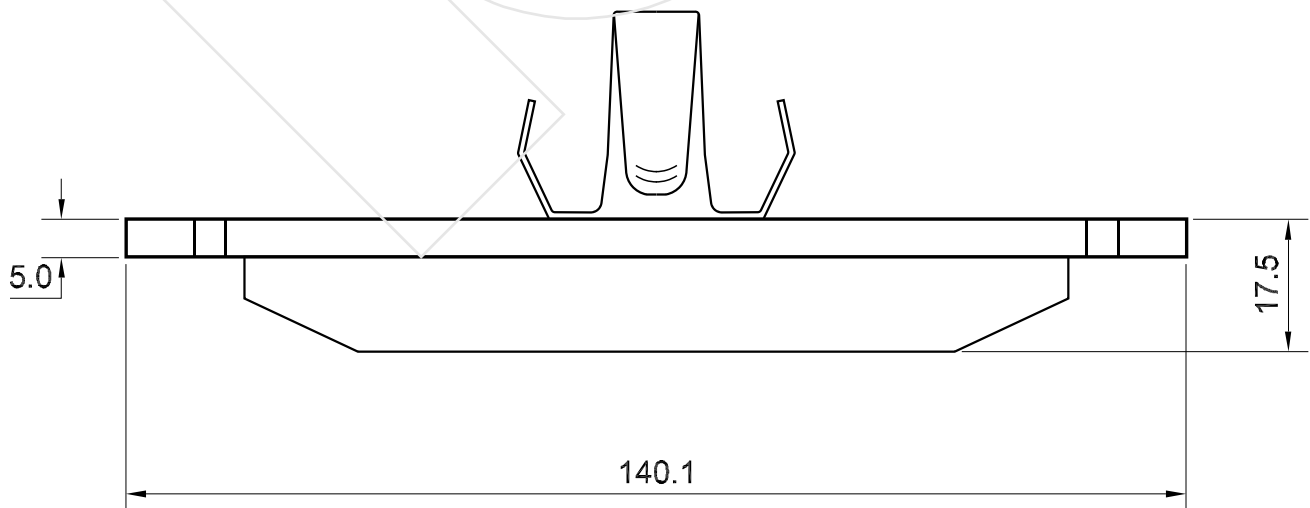
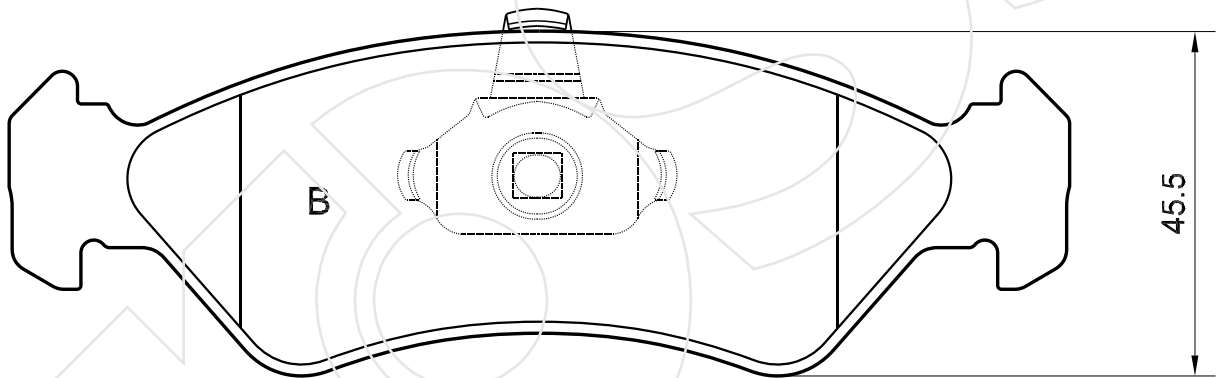
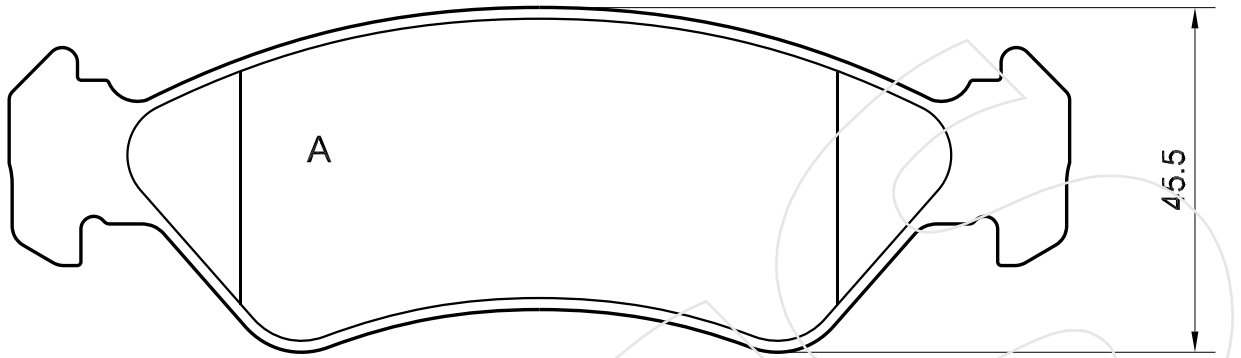
Reference in this Catalogue to other manufactures and to part numbers and other descriptions are for identification purposes only, because the above DISC BRAKE PADS are NOT ORIGINAL but with these interchangeable.

CODICE	IMPIANTO		ASSE	SCALA	APPLICAZIONI
<b>R-670</b>	GIRLING		ANTERIORE	1:1	PEUGEOT
CODICE COMPONENTI	N°	L(mm)	SERIE		
M0015+P1004	2+2		2 PEZZI TIPO A		
M0015+F 3073	2+2	250	2 PEZZI TIPO B		
*	*		*		
CODICE ACCESSORI	N°	L(mm)	NOTE		
*	*		*		
*	*		*		
*	*		*		
*	*		*		



Reference in this Catalogue to other manufactures and to part numbers and other descriptions are for identification purposes only, because the above DISC BRAKE PADS are NOT ORIGINAL but with these interchangeable.

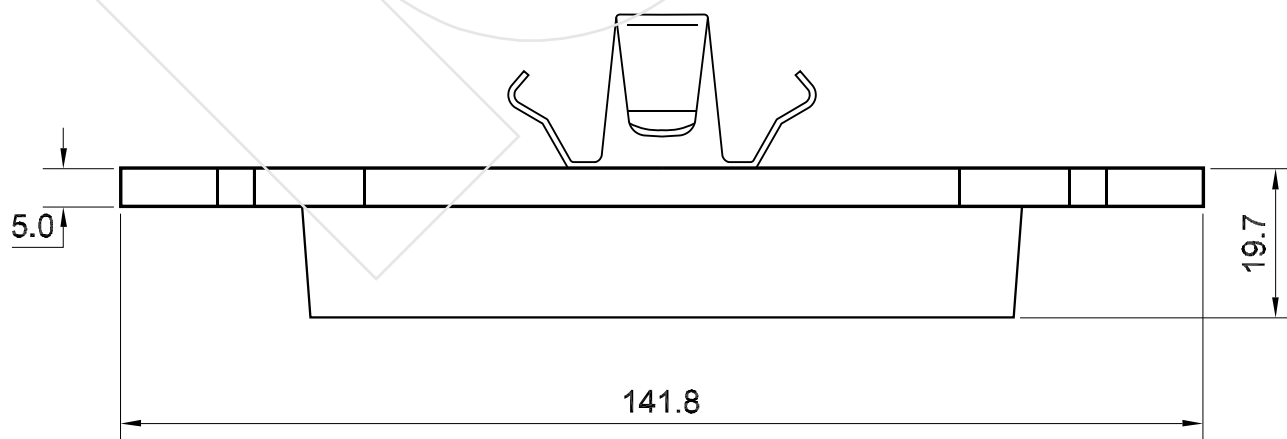
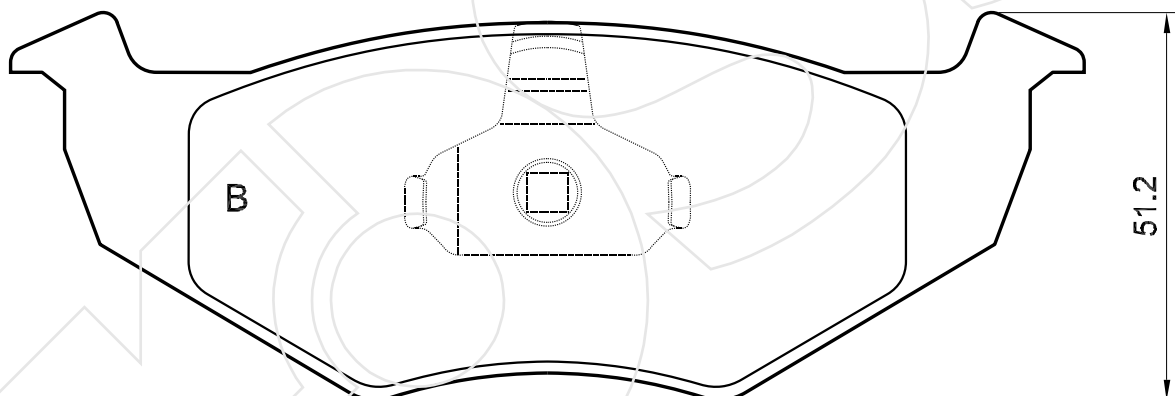
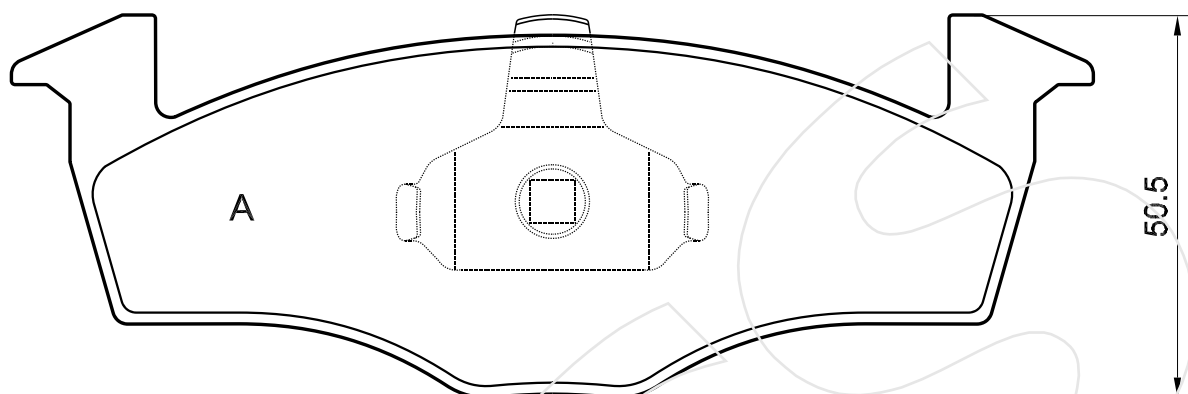
CODICE	IMPIANTO		ASSE	SCALA	APPLICAZIONI
<b>R-671</b>	ATE		ANTERIORE	100%	FORD MAZDA
CODICE COMPONENTI	N°	L(mm)	SERIE		
*	*	*	2 PEZZI TIPO A		
M0106	2	*	2 PEZZI TIPO B		
*	*	*	*		
*	*	*	*		
CODICE ACCESSORI	N°	L(mm)	NOTE		
*	*	*			
*	*	*			
*	*	*			
*	*	*			



Reference in this Catalogue to other manufactures and to part numbers and other descriptions are for identification purposes only, because the above DISC BRAKE PADS are NOT ORIGINAL but with these interchangeable.

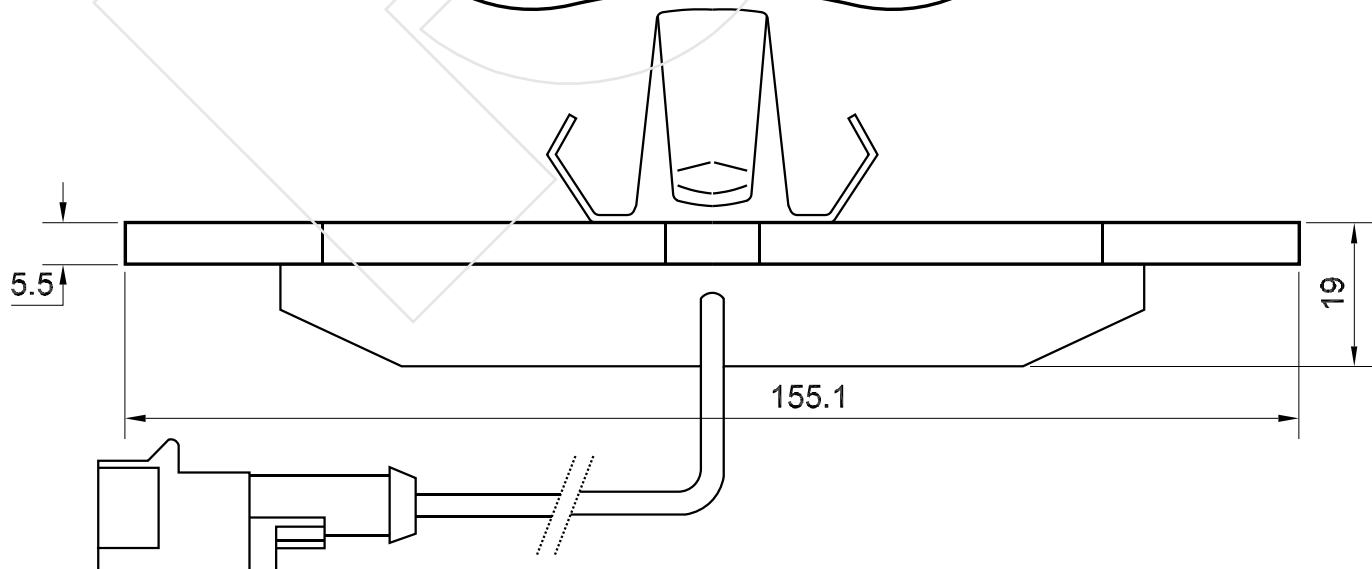
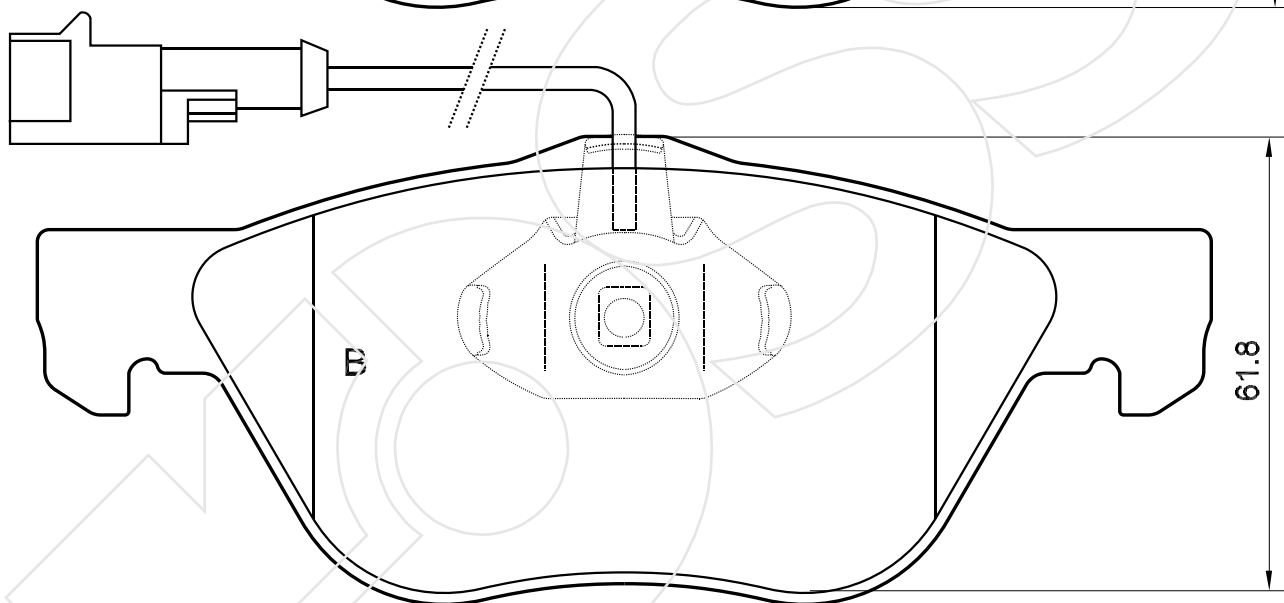
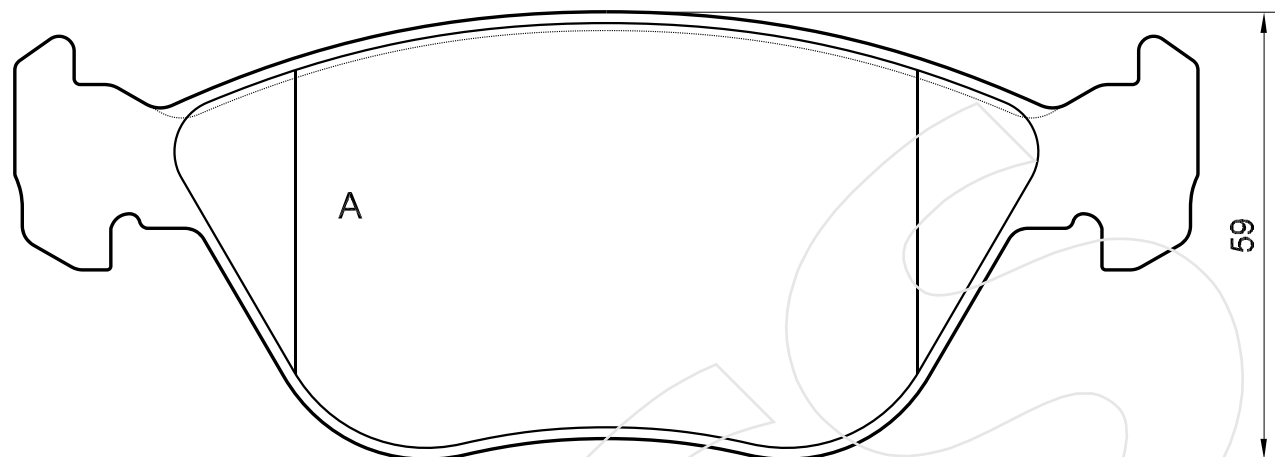


CODICE	IMPIANTO		ASSE	SCALA	APPLICAZIONI
<b>R-672</b>	ATE		ANTERIORE	100%	VOLKSWAGEN
CODICE COMPONENTI	N°	L(mm)	SERIE		
M0127	2	*	2 PEZZI TIPO A		
M0128	2	*	2 PEZZI TIPO B		
*	*	*	*		
*	*	*	*		
CODICE ACCESSORI	N°	L(mm)	NOTE		
*	*	*			
*	*	*			
*	*	*			
*	*	*			



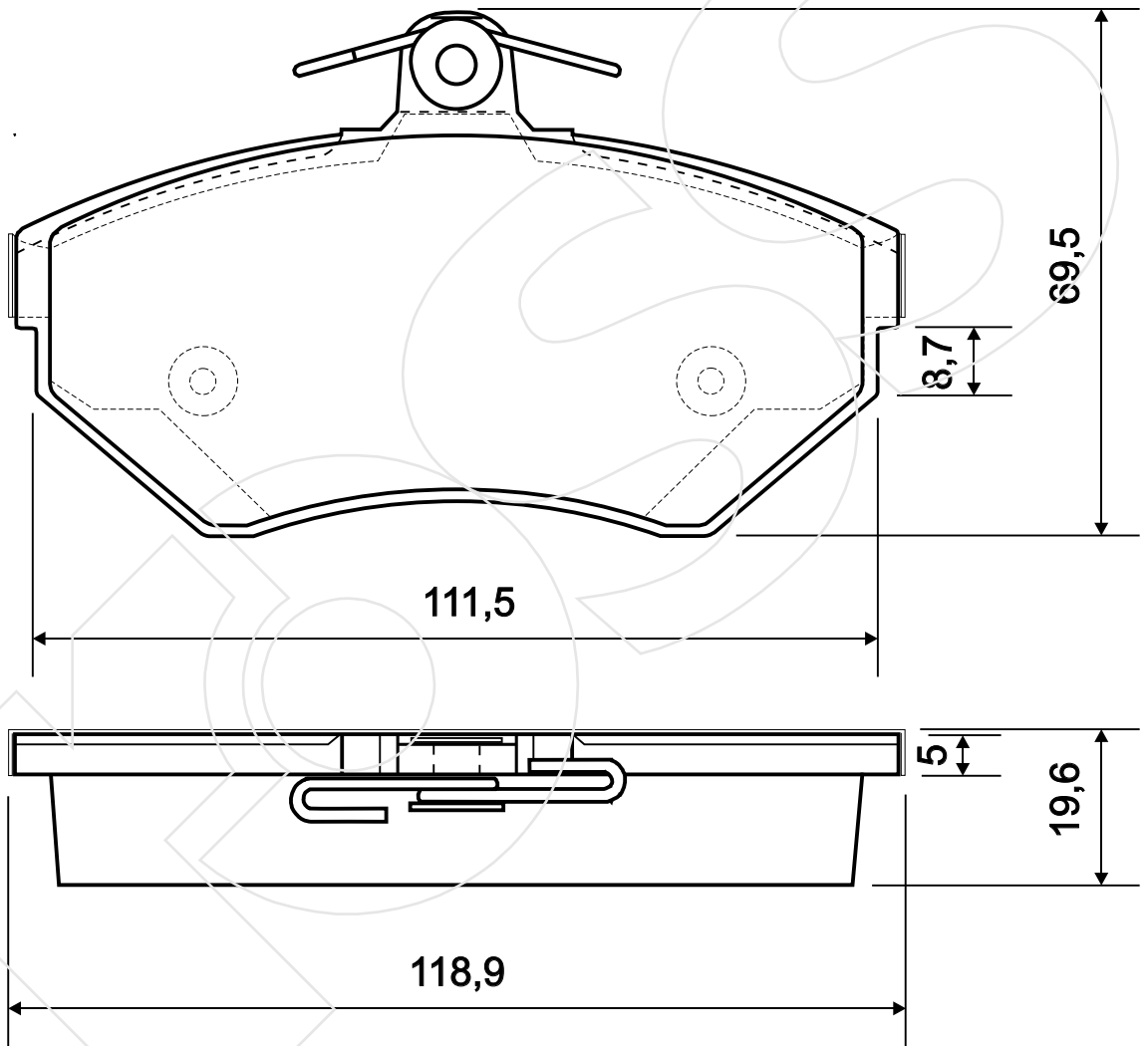
Reference in this Catalogue to other manufactures and to part numbers and other descriptions are for identification purposes only, because the above DISC BRAKE PADS are NOT ORIGINAL but with these interchangeable.

CODICE	IMPIANTO		ASSE	SCALA	APPLICAZIONI
<b>R-673</b>	ATE		ANTERIORE	100%	ALFAROMEIO FIAT LANCIA
CODICE COMPONENTI	N°	L(mm)	SERIE		
*	*	*	2 PEZZI TIPO A		
M0121+F3019	2+2	220	2 PEZZI TIPO B		
*	*	*	*		
*	*	*	*		
CODICE ACCESSORI	N°	L(mm)	NOTE		
*	*	*			
*	*	*			
*	*	*			
*	*	*			



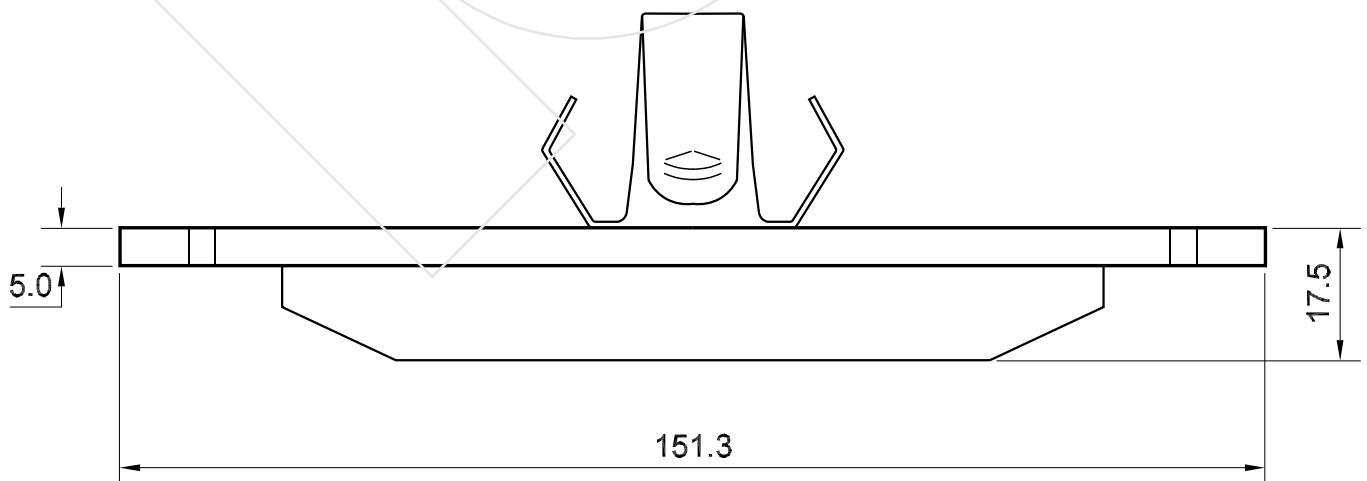
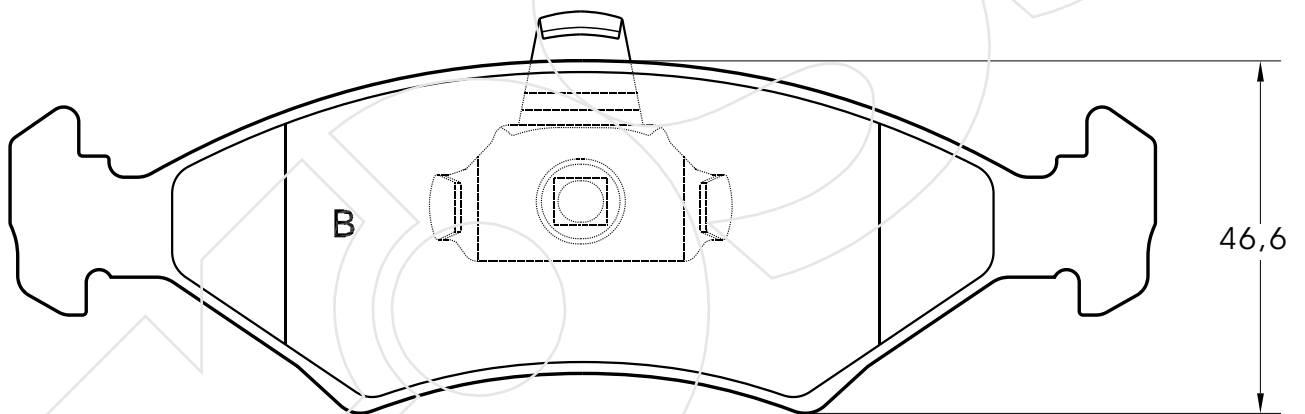
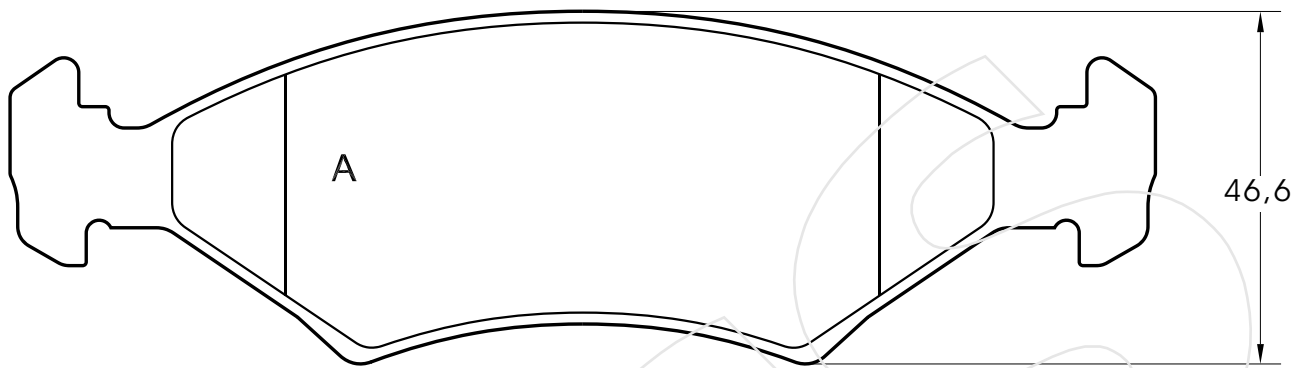
Reference in this Catalogue to other manufactures and to part numbers and other descriptions are for identification purposes only, because the above DISC BRAKE PADS are NOT ORIGINAL but with these interchangeable.

CODICE	IMPIANTO	ASSE	SCALA	APPLICAZIONI
<b>R-674</b>	GIRLING	ANTERIORE	1:1	AUDI
CODICE COMPONENTI	N°	L(mm)	SERIE	
M0013+P1012	4+4	*	4 PEZZI	
*	*			
*	*			
CODICE ACCESSORI	N°	L(mm)	NOTE	
*	*			
*	*			
*	*			
*	*			



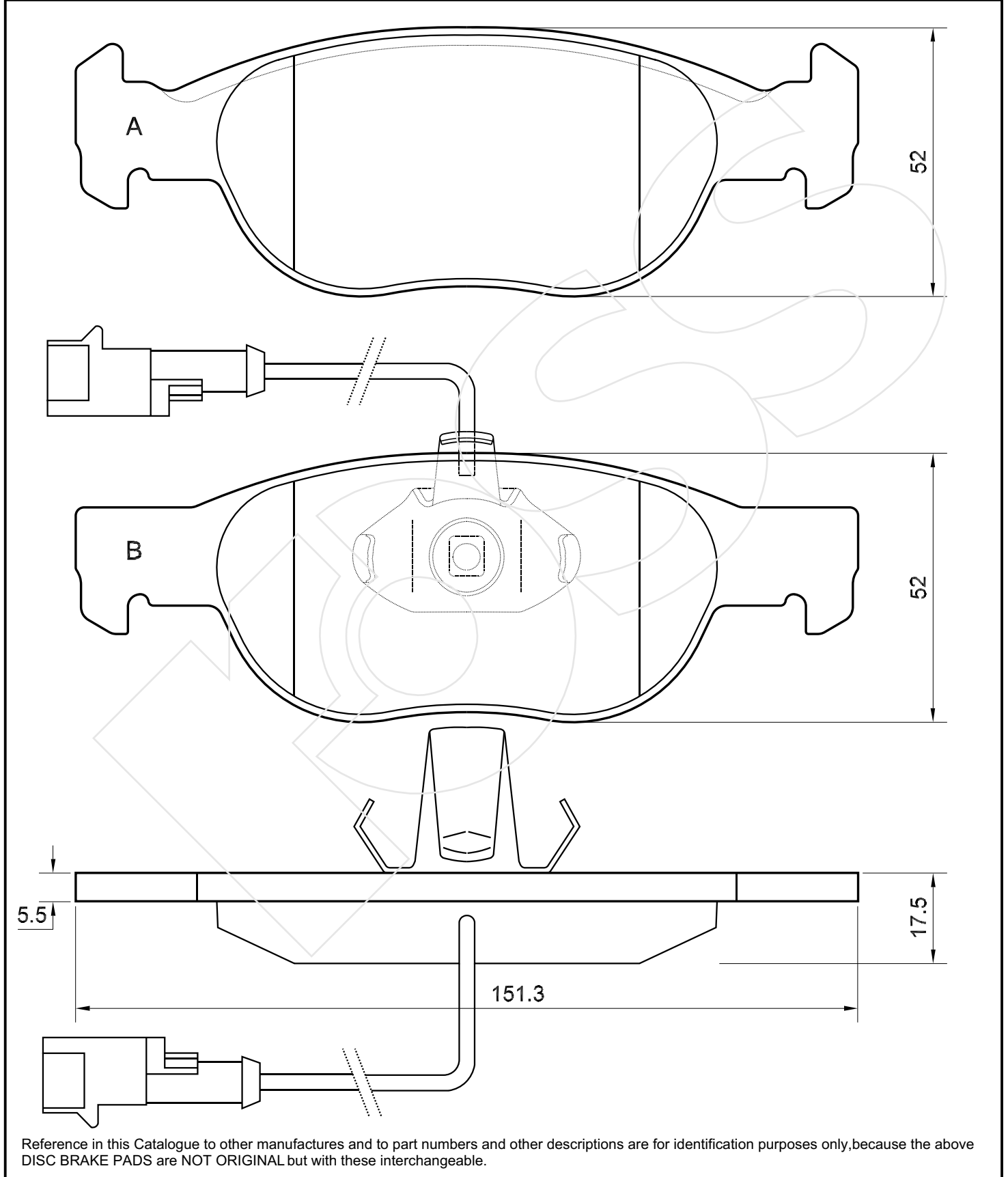
Reference in this Catalogue to other manufactures and to part numbers and other descriptions are for identification purposes only, because the above DISC BRAKE PADS are NOT ORIGINAL but with these interchangeable.

CODICE	IMPIANTO		ASSE	SCALA	APPLICAZIONI
<b>R-675</b>	ATE		ANTERIORE	100%	FORD
CODICE COMPONENTI	N°	L(mm)	SERIE		
*	*	*	2 PEZZI TIPO A		
M0133	2	*	2 PEZZI TIPO B		
*	*	*	*		
*	*	*	*		
CODICE ACCESSORI	N°	L(mm)	NOTE		
*	*	*			
*	*	*			
*	*	*			
*	*	*			

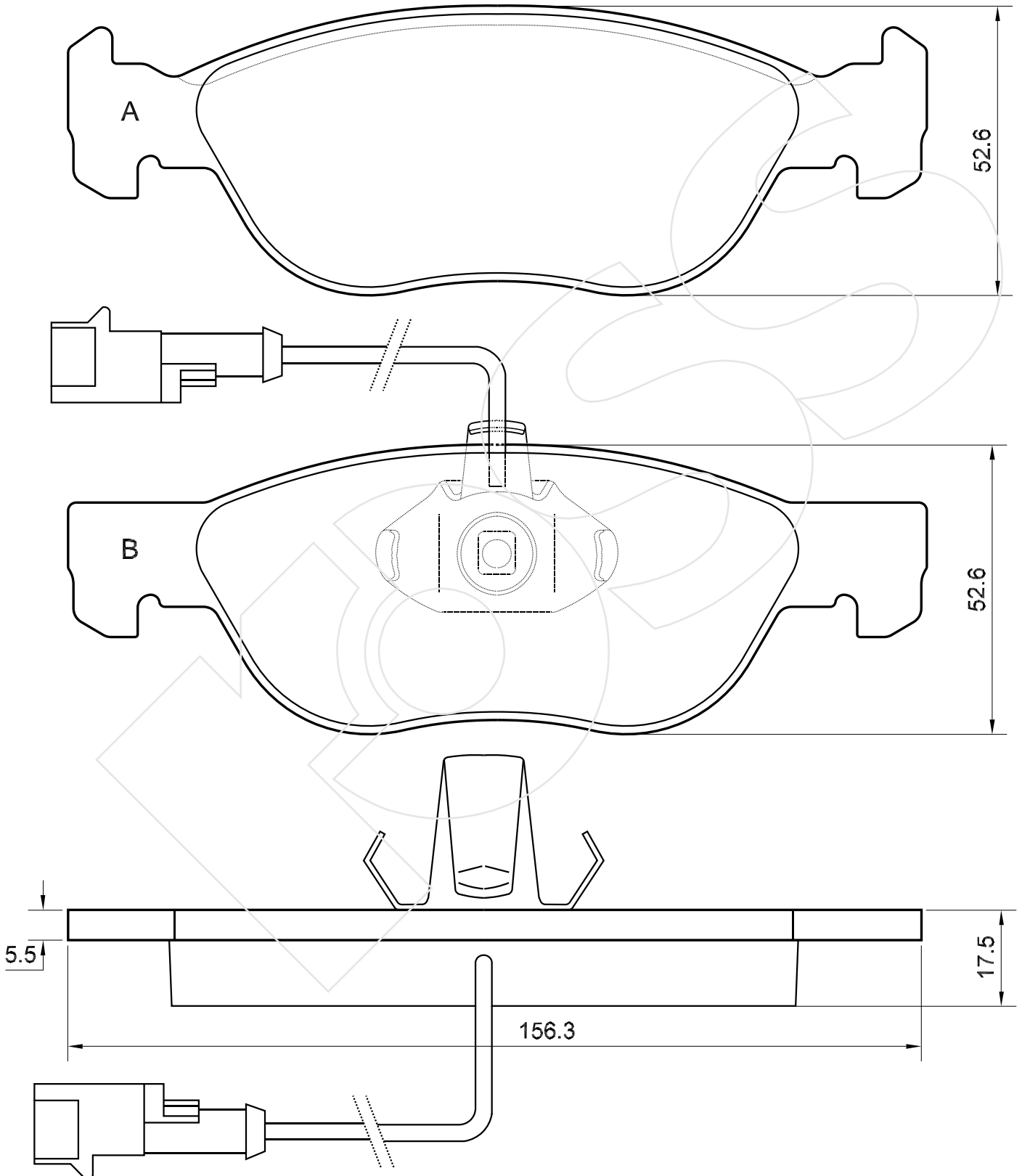


Reference in this Catalogue to other manufactures and to part numbers and other descriptions are for identification purposes only, because the above DISC BRAKE PADS are NOT ORIGINAL but with these interchangeable.

CODICE	IMPIANTO		ASSE	SCALA	APPLICAZIONI
<b>R-676</b>	ATE		ANTERIORE	100%	ALFA ROMEO
CODICE COMPONENTI	N°	L(mm)	SERIE		
*	*	*	2 PEZZI TIPO A		
M0121+F3019	2+2	220	2 PEZZI TIPO B		
*	*	*	*		
*	*	*	*		
CODICE ACCESSORI	N°	L(mm)	NOTE		
*	*	*			
*	*	*			
*	*	*			
*	*	*			

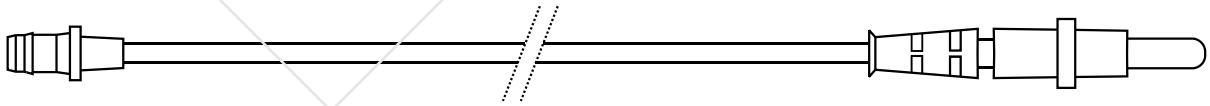
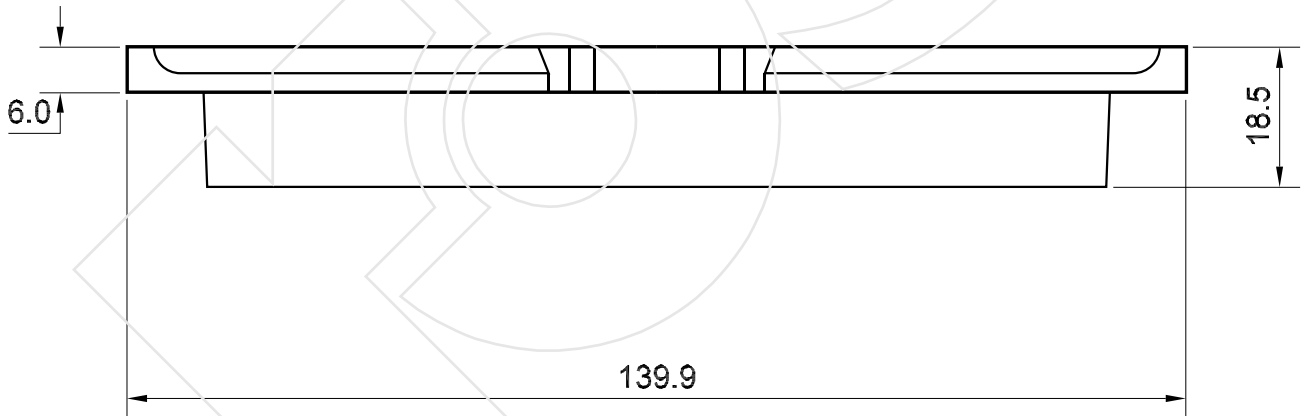
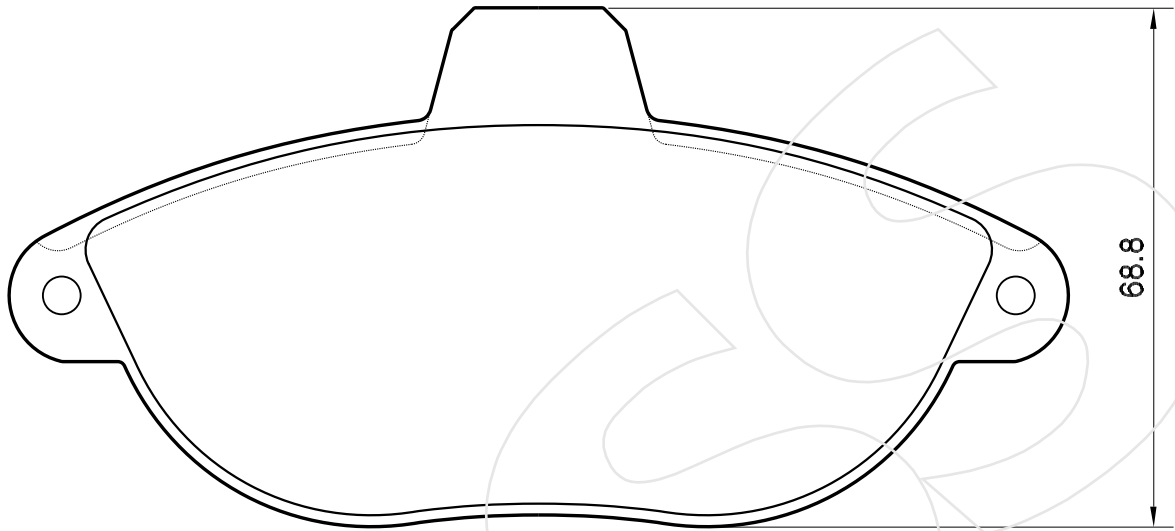


CODICE	IMPIANTO	ASSE	SCALA	APPLICAZIONI
<b>R-677</b>	ATE	ANTERIORE	100%	ALFAROME FIAT
CODICE COMPONENTI	N°	L(mm)	SERIE	
*	*	*	2 PEZZI TIPO A	
M0121+F3019	2+2	220	2 PEZZI TIPO B	
*	*	*	*	
*	*	*	*	
CODICE ACCESSORI	N°	L(mm)	NOTE	
*	*	*		
*	*	*		
*	*	*		
*	*	*		



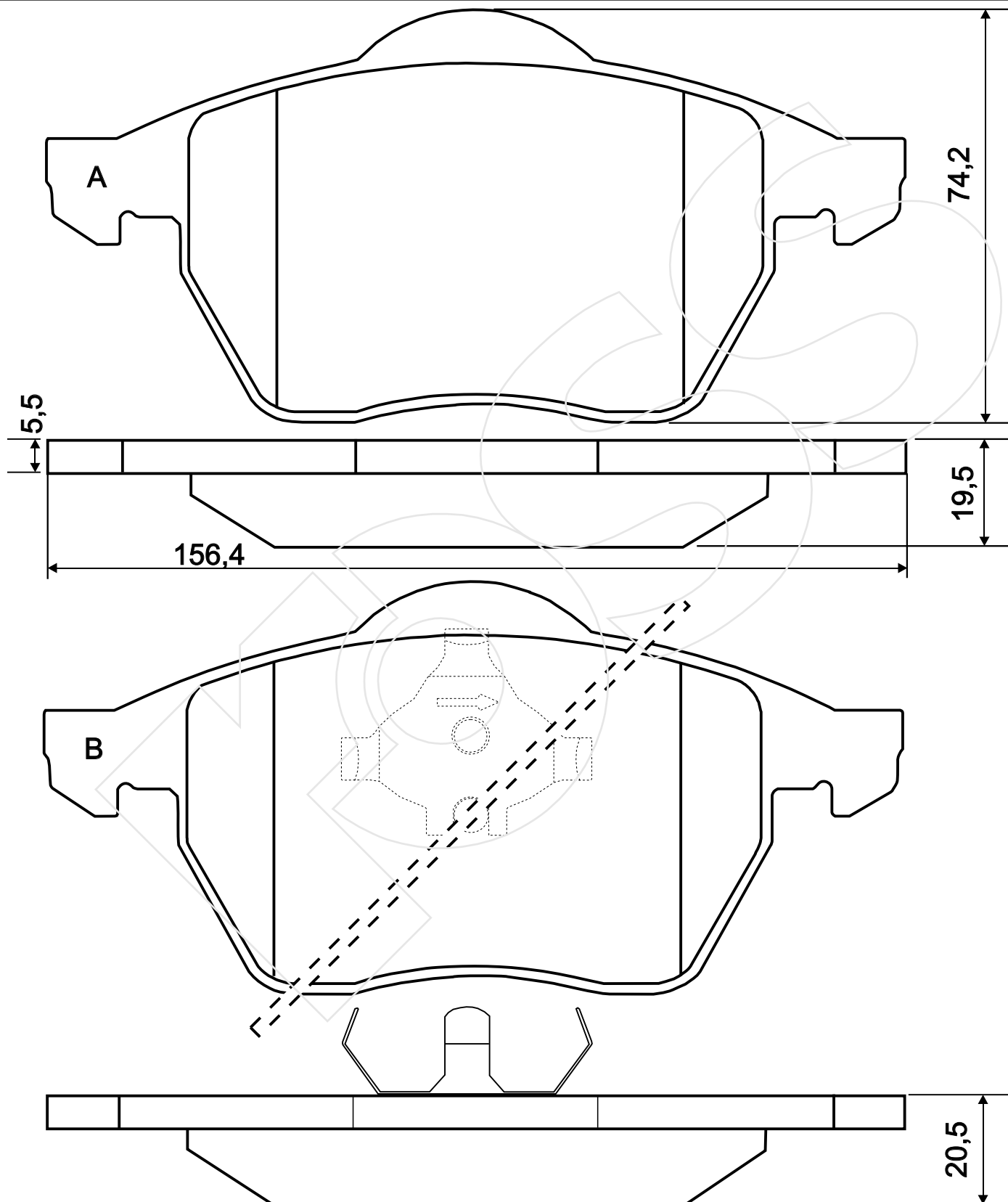
Reference in this Catalogue to other manufactures and to part numbers and other descriptions are for identification purposes only, because the above DISC BRAKE PADS are NOT ORIGINAL but with these interchangeable.

CODICE	IMPIANTO		ASSE	SCALA	APPLICAZIONI
<b>R-678</b>	BENDIX		ANTERIORE	100%	CITROEN FIAT PEUGEOT
CODICE COMPONENTI	N°	L(mm)	SERIE		
*	*	*	4 PEZZI		
F3078	2	280			
*	*	*	*		
*	*	*	*		
CODICE ACCESSORI	N°	L(mm)	NOTE		
*	*	*			
*	*	*			
*	*	*			



Reference in this Catalogue to other manufactures and to part numbers and other descriptions are for identification purposes only, because the above DISC BRAKE PADS are NOT ORIGINAL but with these interchangeable.

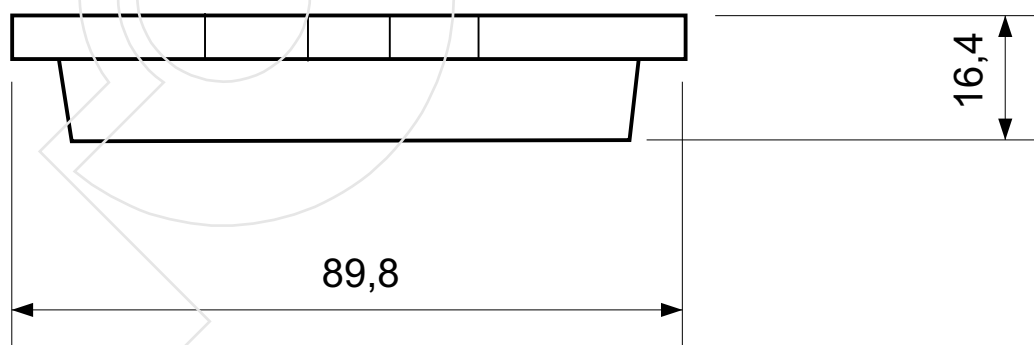
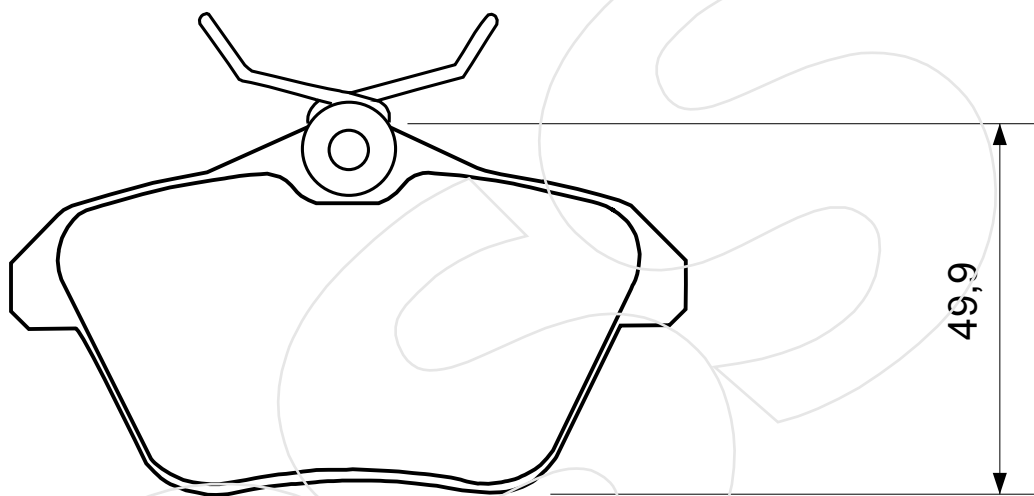
CODICE	IMPIANTO		ASSE	SCALA	APPLICAZIONI
<b>R-679</b>	ATE		ANTERIORE	1:1	AUDI FORD VOLKSWAGEN
CODICE COMPONENTI	N°	L(mm)	SERIE		
*	*	*	2 PEZZI TIPO A		
M0139	1		1 PEZZO TIPO B con molla dx		
M0140	1		1 PEZZO TIPO B con molla sx		
CODICE ACCESSORI	N°	L(mm)	NOTE		
*	*	*	*		
*	*	*	*		
*	*	*	*		
*	*	*	*		



Reference in this Catalogue to other manufactures and to part numbers and other descriptions are for identification purposes only, because the above DISC BRAKE PADS are NOT ORIGINAL but with these interchangeable.

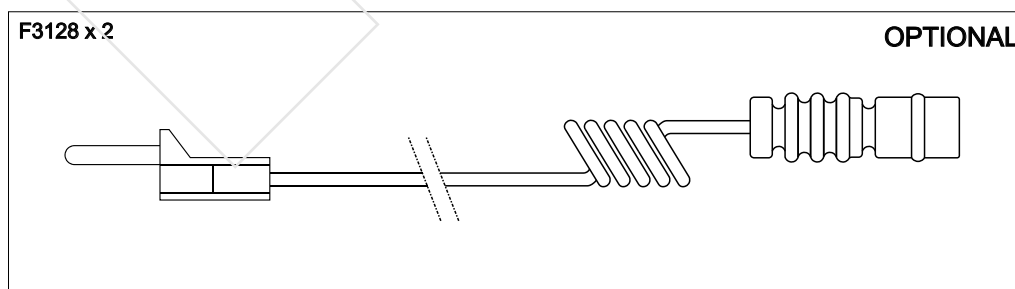
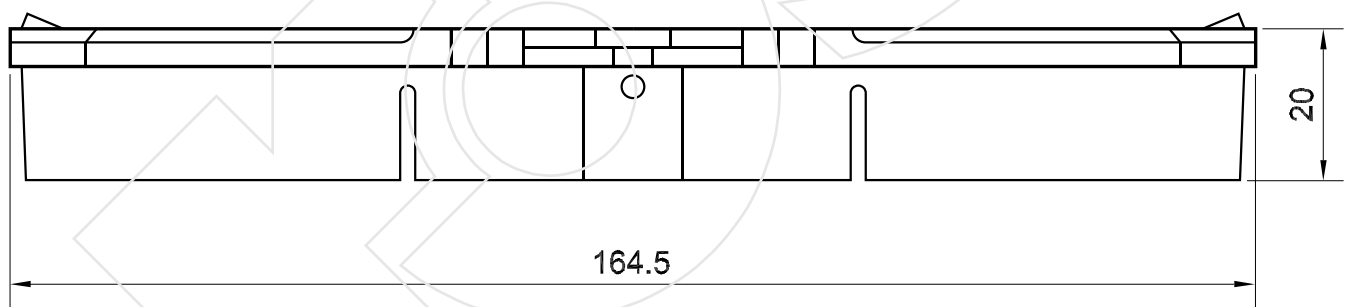
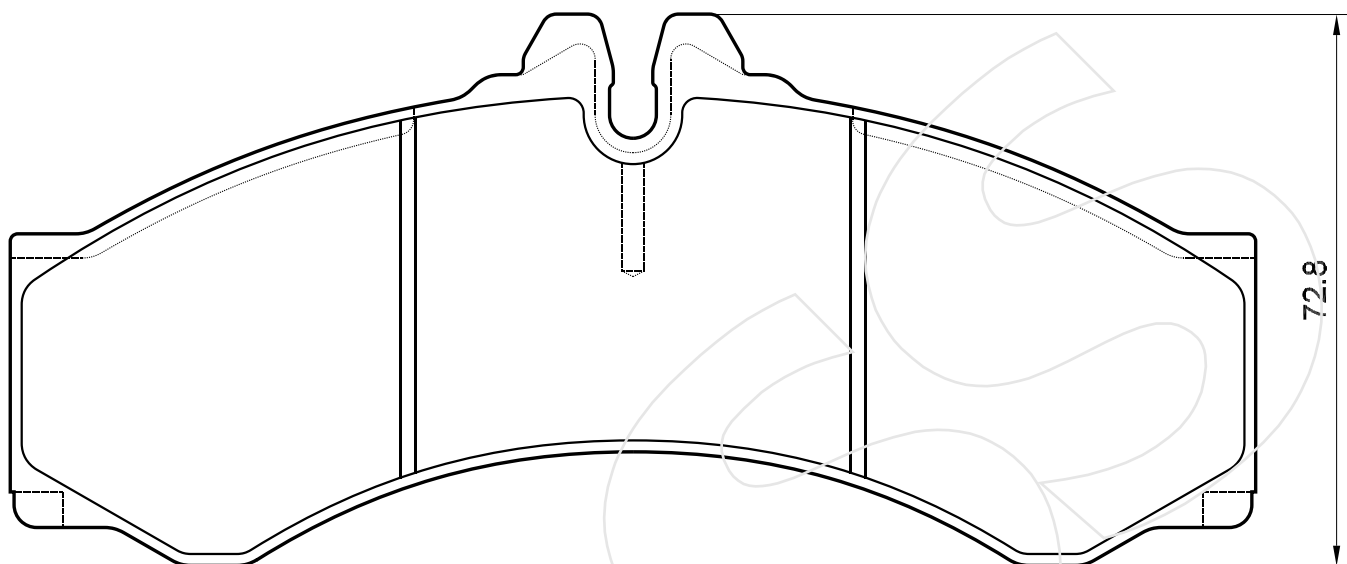


CODICE	IMPIANTO	ASSE	SCALA	APPLICAZIONI
<b>R-680</b>	GIRLING	POSTERIORE	1:1	ALFA ROMEO LANCIA
CODICE COMPONENTI	N°	L(mm)	SERIE	
M0015+P1004	4+4	*	4 PEZZI	
*	*			
*	*			
CODICE ACCESSORI	N°	L(mm)	NOTE	
*	*			
*	*			
*	*			
*	*			



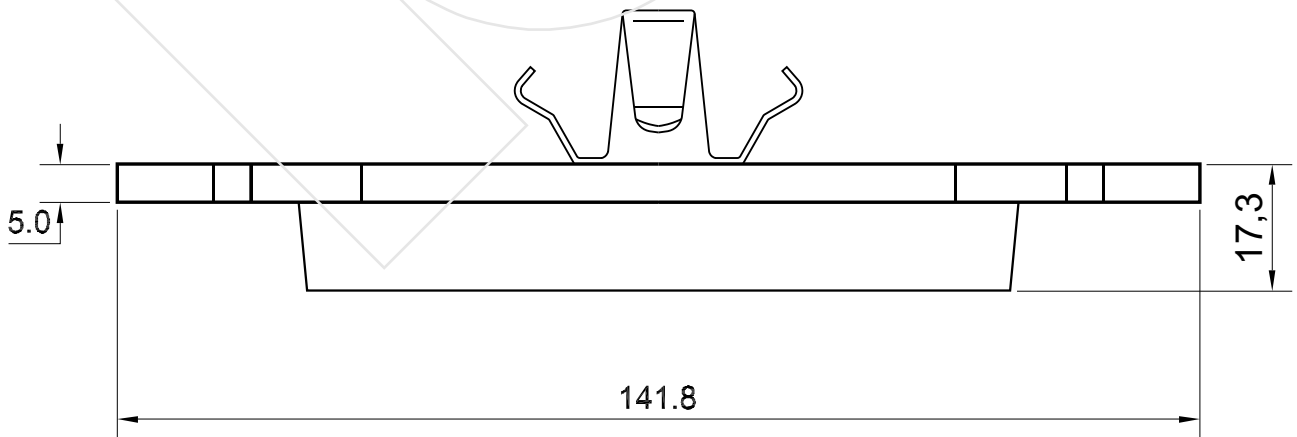
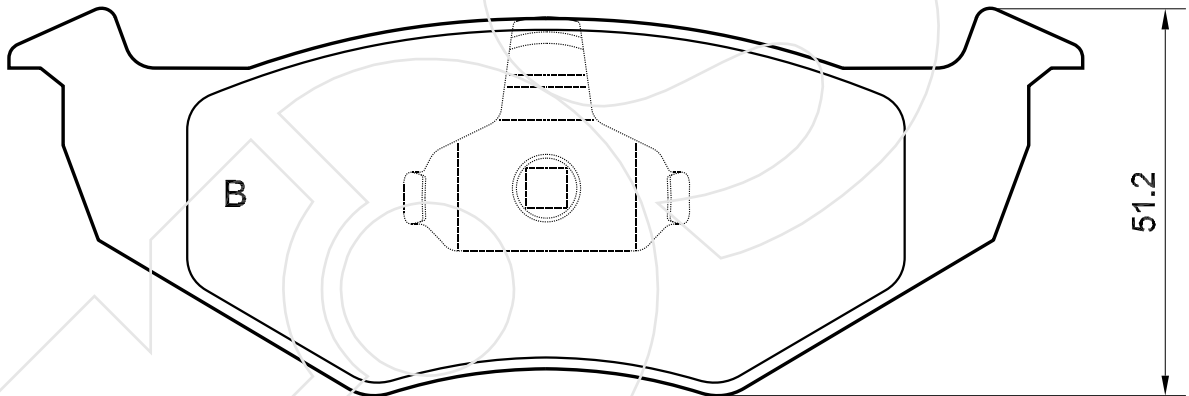
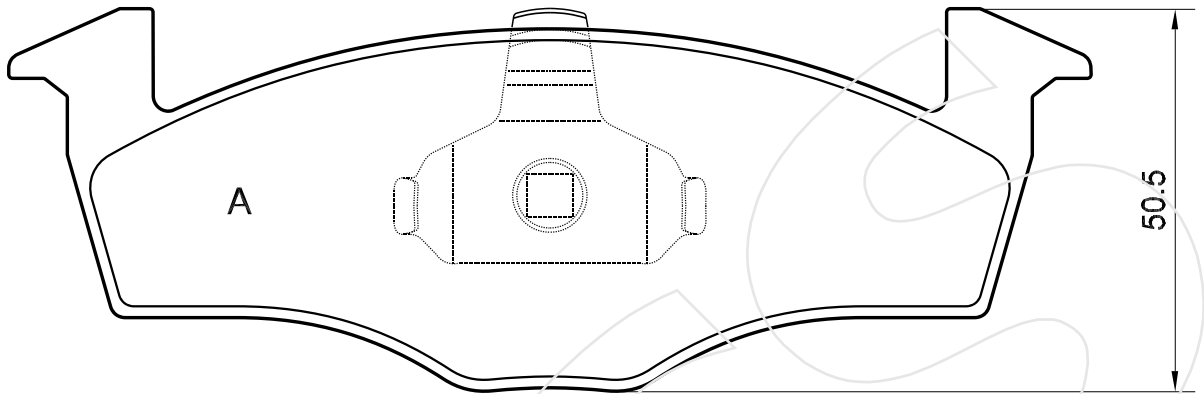
Reference in this Catalogue to other manufactures and to part numbers and other descriptions are for identification purposes only, because the above DISC BRAKE PADS are NOT ORIGINAL but with these interchangeable.

CODICE	IMPIANTO		ASSE	SCALA	APPLICAZIONI
<b>R-681</b>	PERROT		ANTERIORE/POSTERIORE	100%	MERCEDES
CODICE COMPONENTI	N°	L(mm)	SERIE		
*	*	*	4 PEZZI		
*	*	*			
*	*	*			
*	*	*			
OPTIONAL	N°	L(mm)	NOTE		
F3128	2	300			
*	*	*			
*	*	*			
*	*	*			



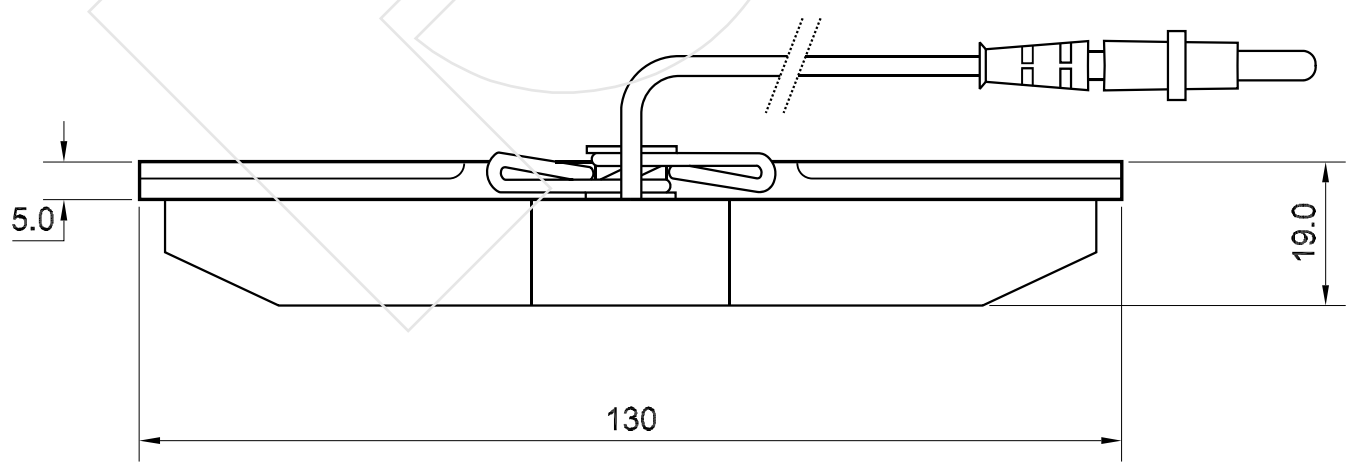
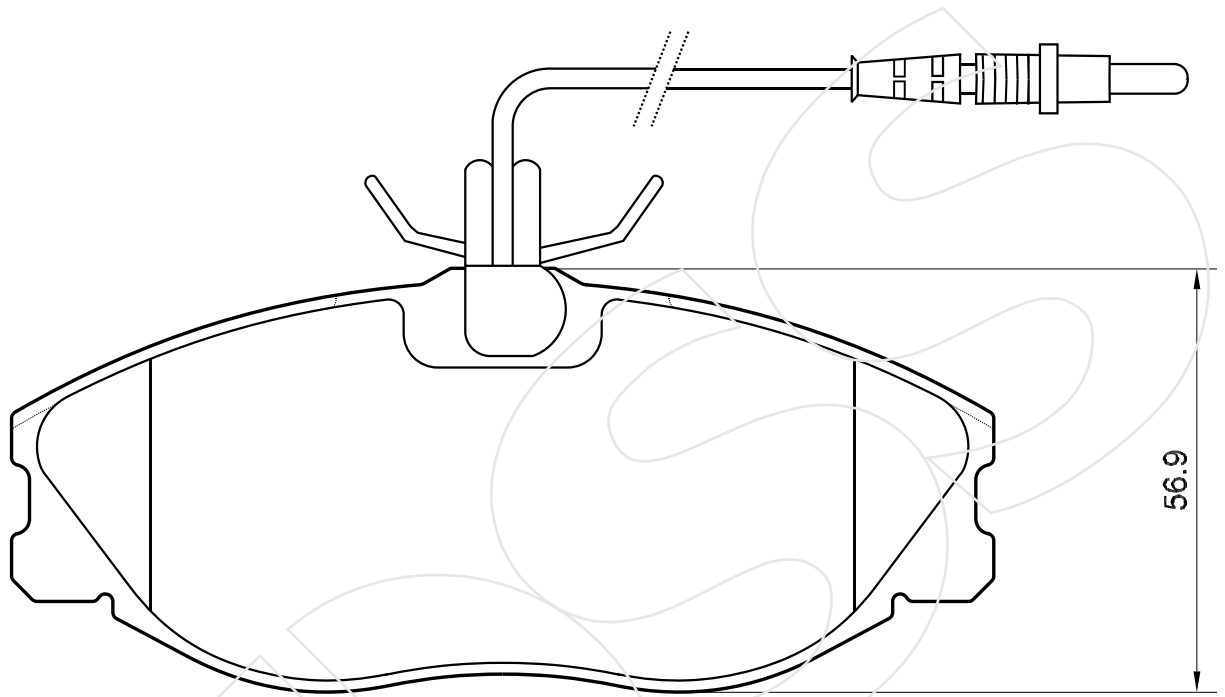
Reference in this Catalogue to other manufactures and to part numbers and other descriptions are for identification purposes only, because the above DISC BRAKE PADS are NOT ORIGINAL but with these interchangeable.

CODICE	IMPIANTO		ASSE	SCALA	APPLICAZIONI
<b>R-682</b>	KELSEY-HAYES		ANTERIORE	100%	VOLKSWAGEN
CODICE COMPONENTI	N°	L(mm)	SERIE		
M0128	2	*	2 PEZZI TIPO A		
M0127	2	*	2 PEZZI TIPO B		
*	*	*	*		
*	*	*	*		
CODICE ACCESSORI	N°	L(mm)	NOTE		
*	*	*			
*	*	*			
*	*	*			
*	*	*			



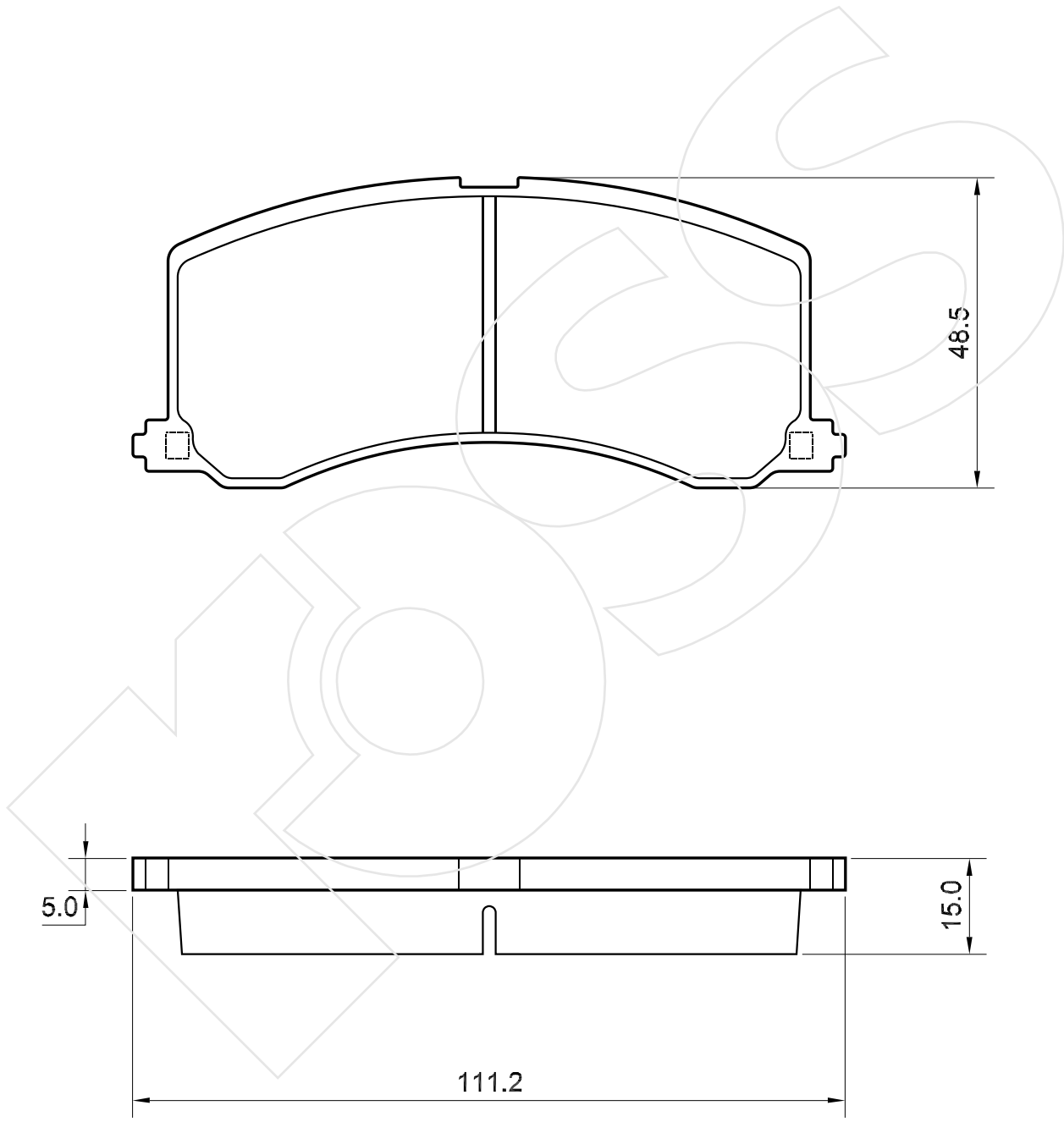
Reference in this Catalogue to other manufactures and to part numbers and other descriptions are for identification purposes only, because the above DISC BRAKE PADS are NOT ORIGINAL but with these interchangeable.

CODICE	IMPIANTO		ASSE	SCALA	APPLICAZIONI
<b>R-683</b>	GIRLING		ANTERIORE	100%	PEUGEOT
CODICE COMPONENTI	N°	L(mm)	SERIE		
M0015+F3074	4+4	305	4 PEZZI		
*	*	*	*		
*	*	*	*		
*	*	*	*		
CODICE ACCESSORI	N°	L(mm)	NOTE		
*	*	*			
*	*	*			
*	*	*			
*	*	*			



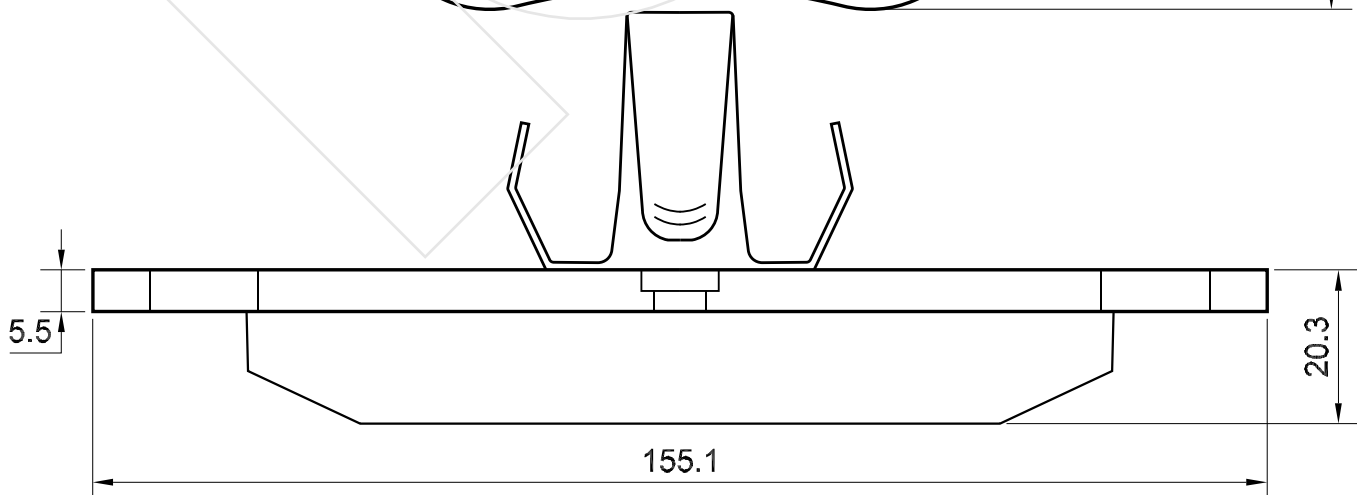
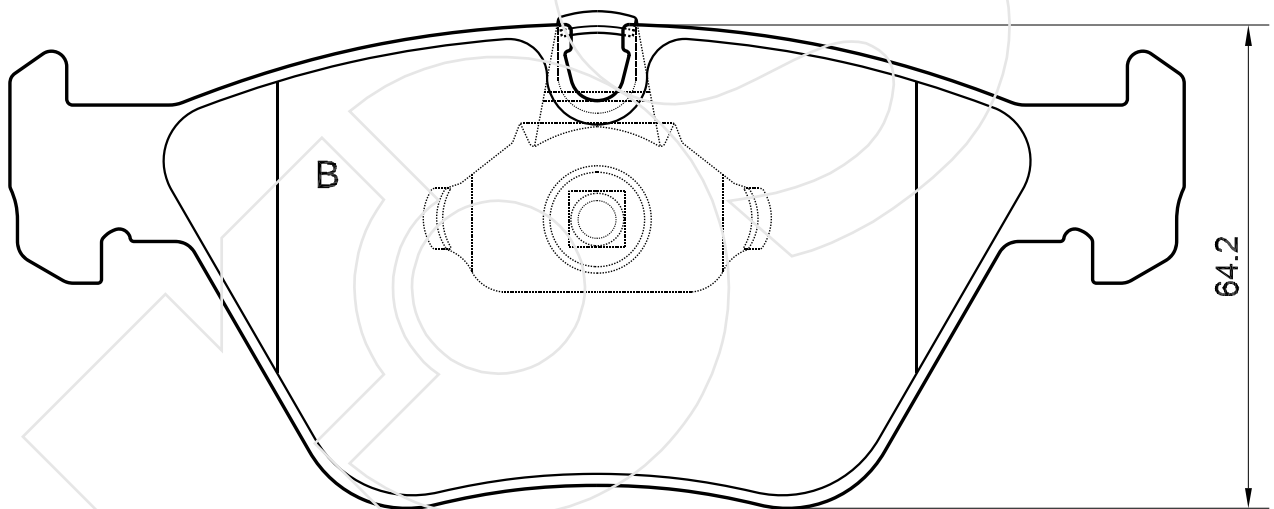
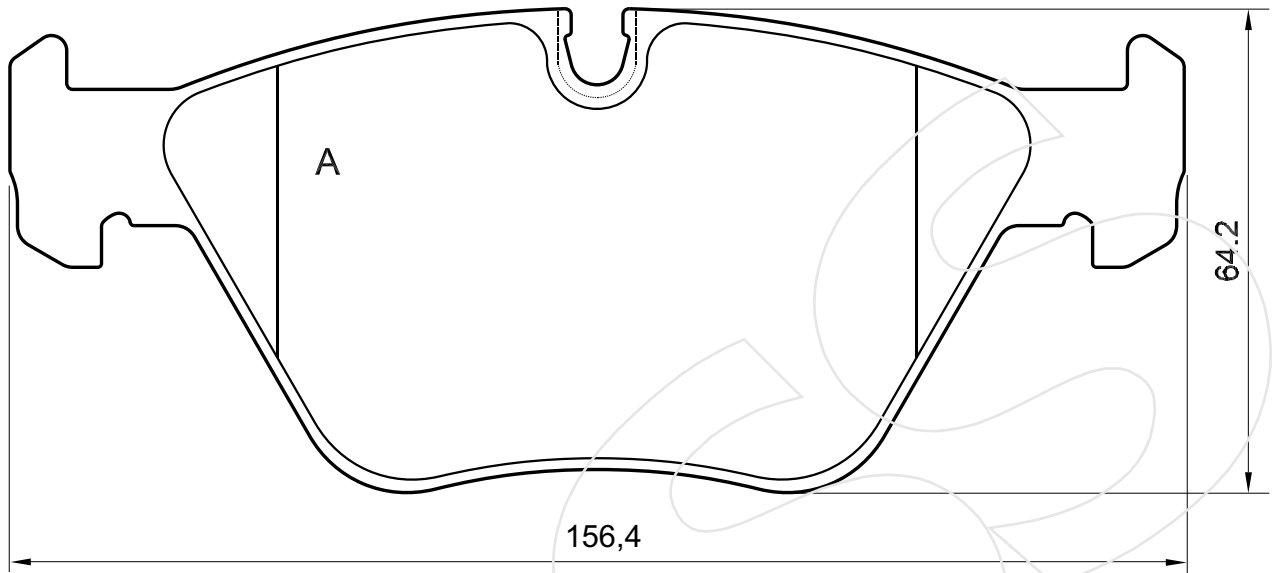
Reference in this Catalogue to other manufactures and to part numbers and other descriptions are for identification purposes only, because the above DISC BRAKE PADS are NOT ORIGINAL but with these interchangeable.

CODICE	IMPIANTO	ASSE	SCALA	APPLICAZIONI
<b>R-684</b>	SUMITOMO	ANTERIORE	100%	SUZUKI
CODICE COMPONENTI	N°	L(mm)	SERIE	
*	*	*	4 PEZZI	
*	*	*	*	
*	*	*	*	
*	*	*	*	
CODICE ACCESSORI	N°	L(mm)	NOTE	
*	*	*		
*	*	*		
*	*	*		
*	*	*		



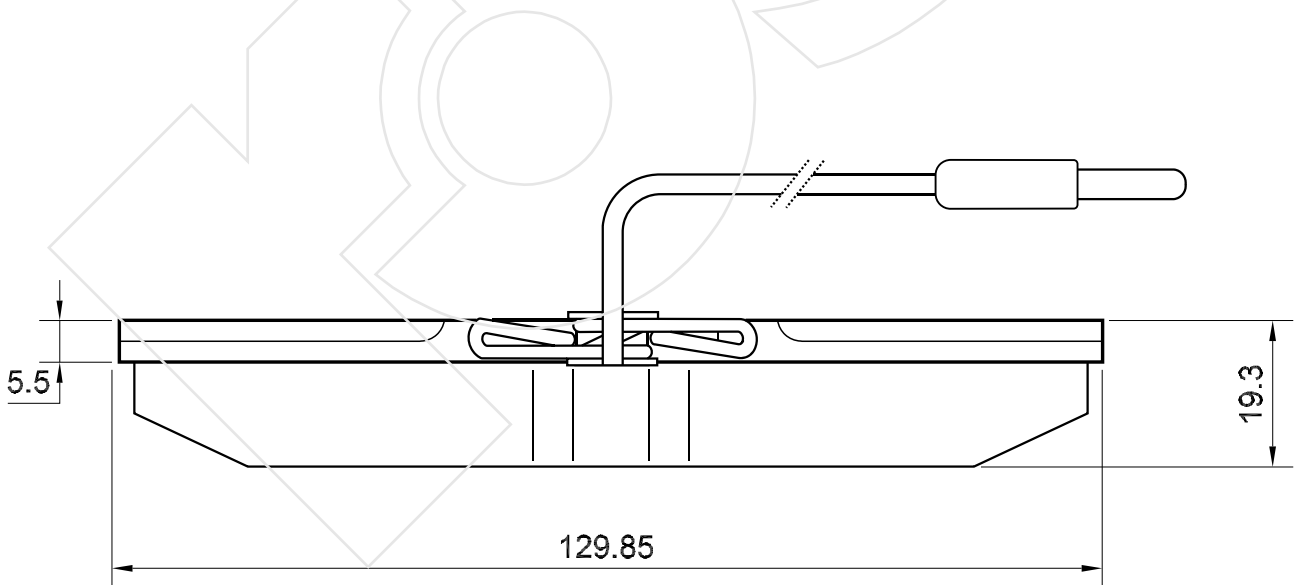
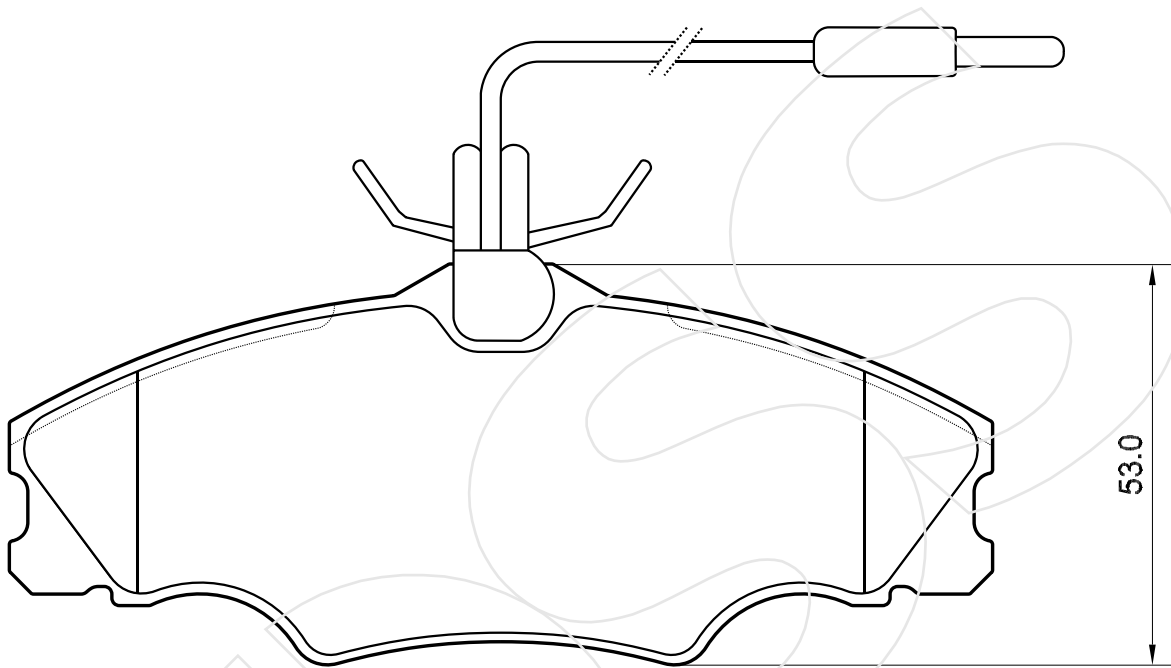
Reference in this Catalogue to other manufactures and to part numbers and other descriptions are for identification purposes only, because the above DISC BRAKE PADS are NOT ORIGINAL but with these interchangeable.

CODICE	IMPIANTO	ASSE	SCALA	APPLICAZIONI
<b>R-685</b>	ATE	ANTERIORE	100%	B.M.W.
CODICE COMPONENTI	N°	L(mm)	SERIE	
*	*	*	2 PEZZI TIPO A	
M0144	2	*	2 PEZZI TIPO B	
*	*	*	*	
*	*	*	*	
CODICE ACCESSORI	N°	L(mm)	NOTE	
*	*	*		
*	*	*		
*	*	*		
*	*	*		



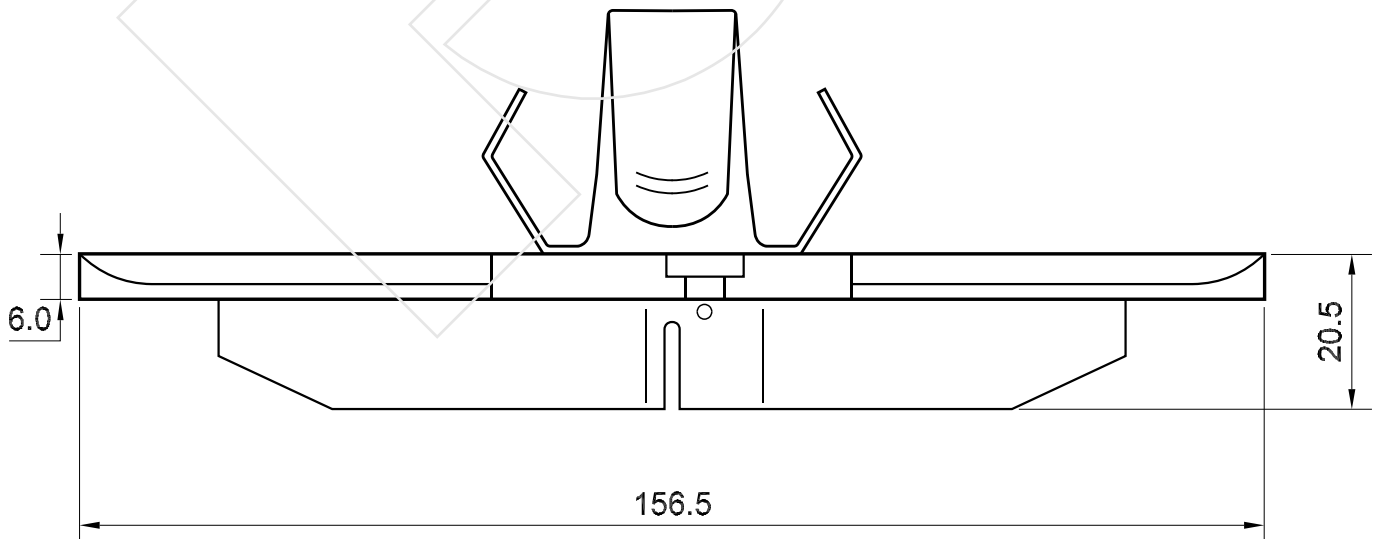
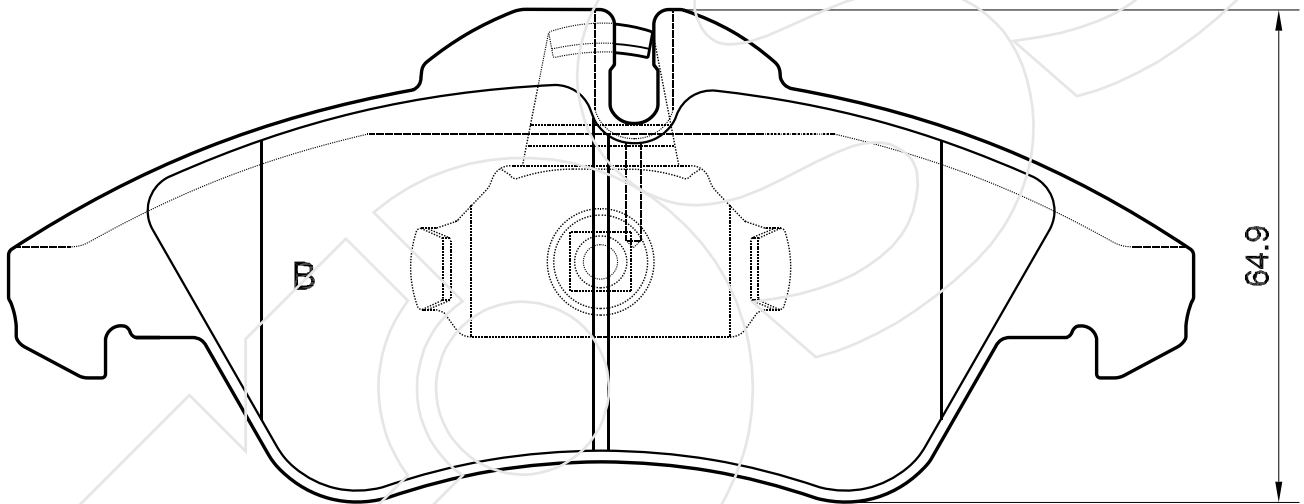
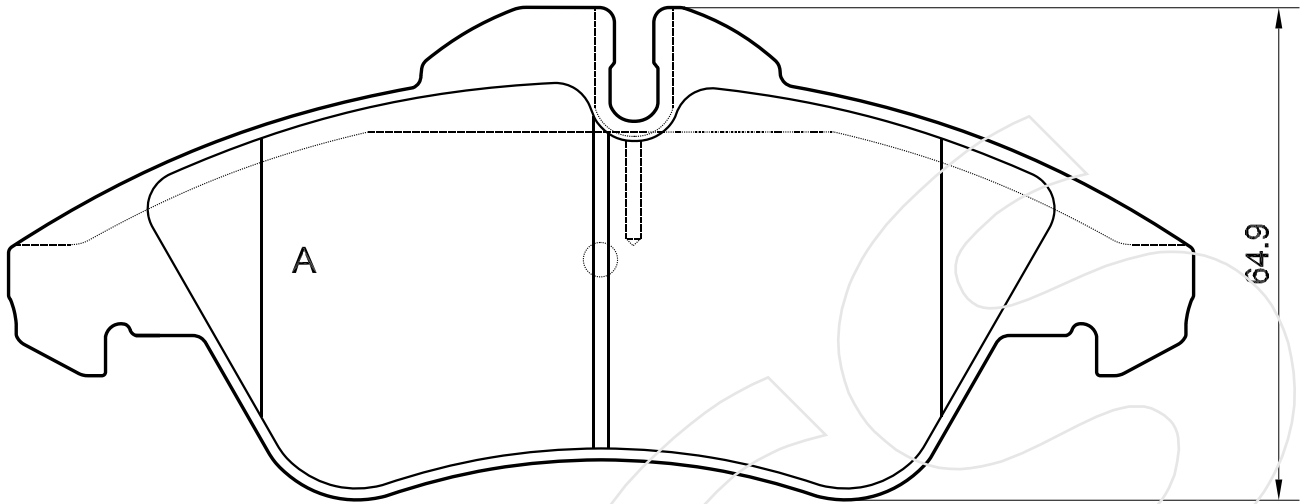
Reference in this Catalogue to other manufactures and to part numbers and other descriptions are for identification purposes only, because the above DISC BRAKE PADS are NOT ORIGINAL but with these interchangeable.

CODICE	IMPIANTO	ASSE	SCALA	APPLICAZIONI
<b>R-686</b>	GIRLING	ANTERIORE	100%	PEUGEOT
CODICE COMPONENTI	N°	L(mm)	SERIE	
M0015+F3074	4+4	305	4 PEZZI	
*	*	*	*	
*	*	*	*	
*	*	*	*	
CODICE ACCESSORI	N°	L(mm)	NOTE	
*	*	*	*	
*	*	*	*	
*	*	*	*	
*	*	*	*	



Reference in this Catalogue to other manufactures and to part numbers and other descriptions are for identification purposes only, because the above DISC BRAKE PADS are NOT ORIGINAL but with these interchangeable.

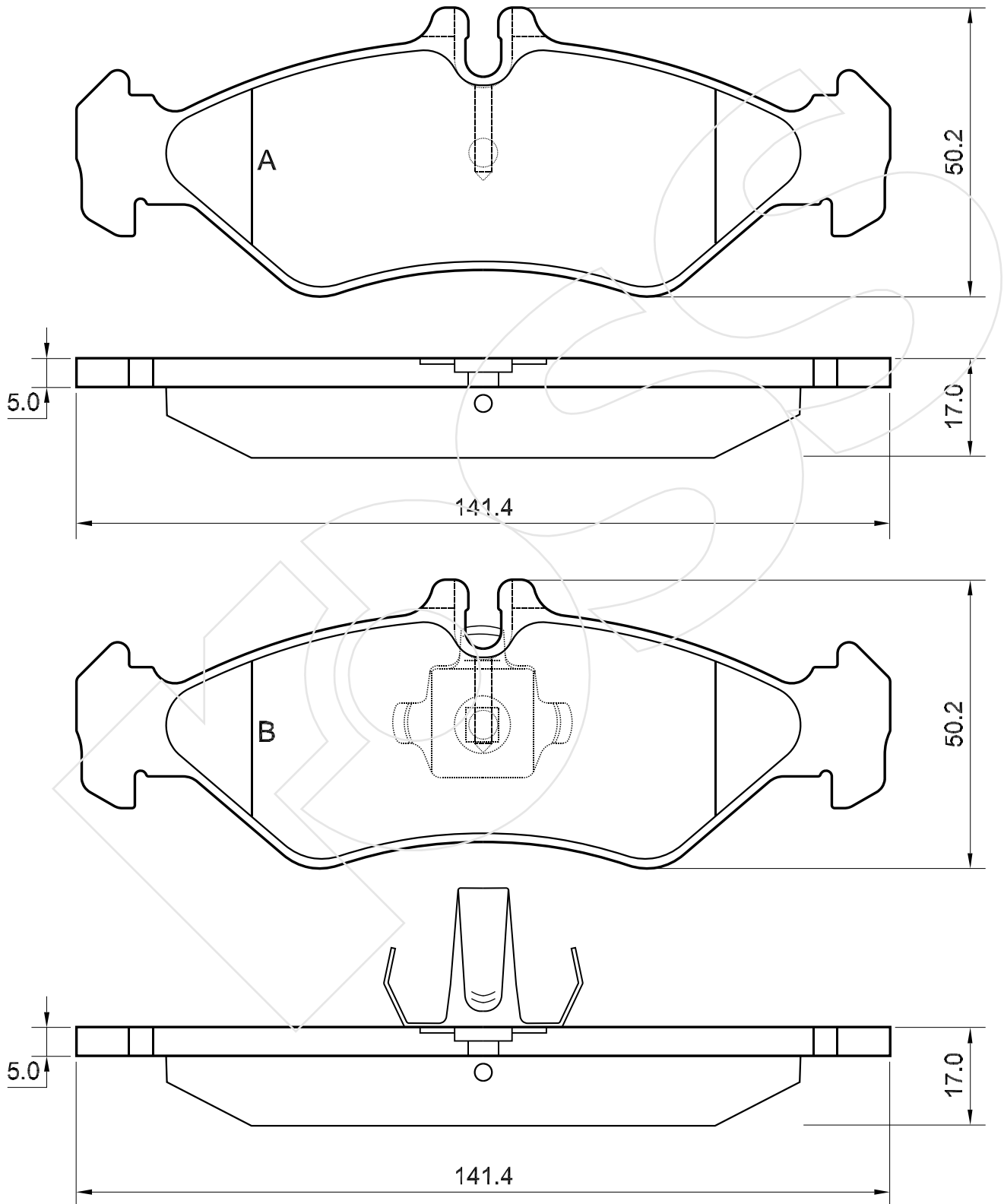
CODICE	IMPIANTO		ASSE	SCALA	APPLICAZIONI
<b>R-687</b>	ATE		ANTERIORE	100%	MERCEDES
CODICE COMPONENTI	N°	L(mm)	SERIE		
*	*	*	2 PEZZI TIPO A		
M0130	2	*	2 PEZZI TIPO B		
*	*	*	*		
*	*	*	*		
CODICE ACCESSORI	N°	L(mm)	NOTE		
*	*	*			
*	*	*			
*	*	*			
*	*	*			



Reference in this Catalogue to other manufactures and to part numbers and other descriptions are for identification purposes only, because the above DISC BRAKE PADS are NOT ORIGINAL but with these interchangeable.

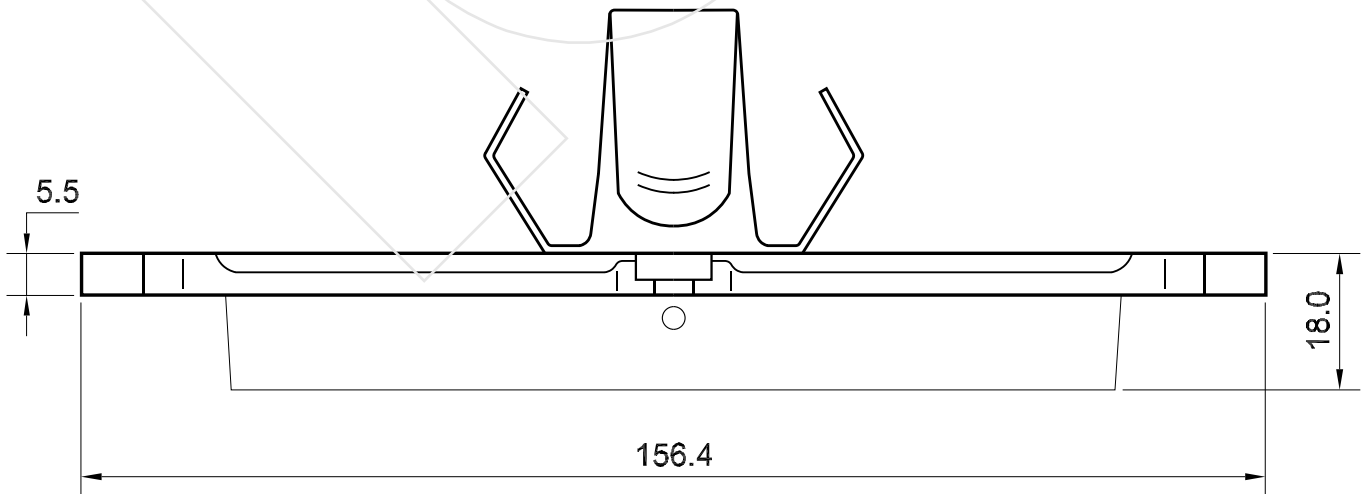
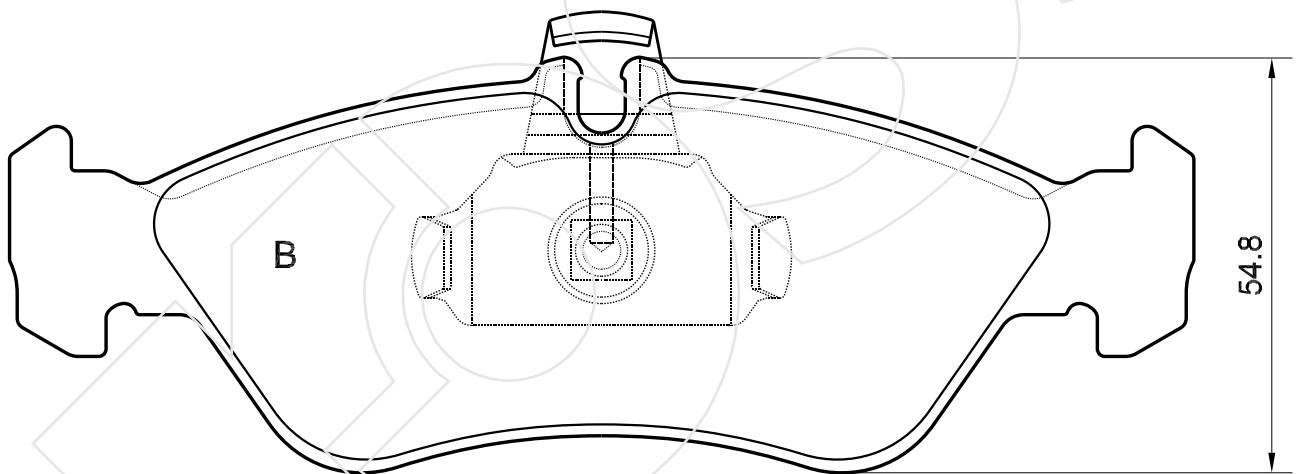
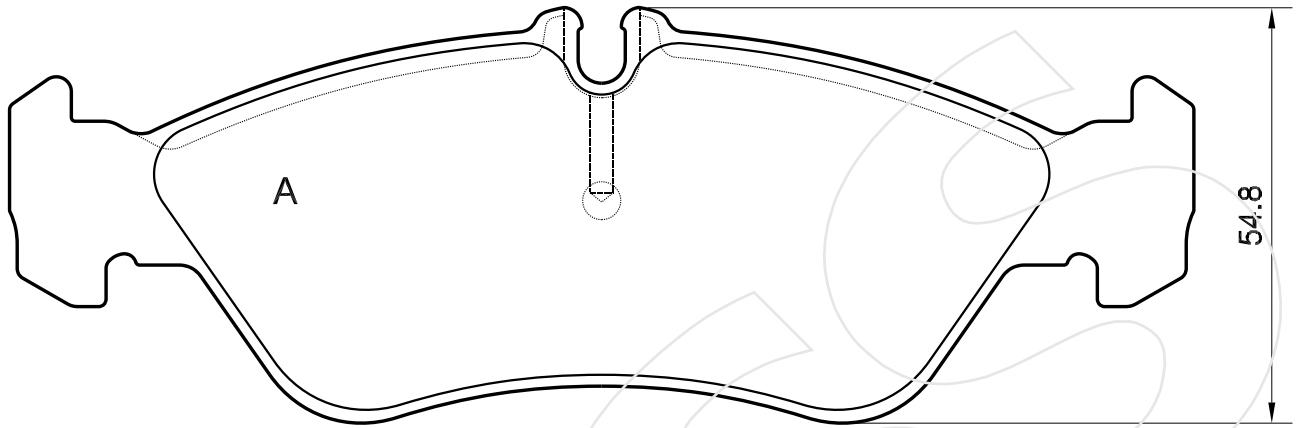


CODICE	IMPIANTO	ASSE	SCALA	APPLICAZIONI
<b>R-688</b>	ATE	POSTERIORE	100%	MERCEDES
CODICE COMPONENTI	N°	L(mm)	SERIE	
*	*	*	2 PEZZI TIPO A	
M0135	2	*	2 PEZZI TIPO B	
*	*	*	*	
*	*	*	*	
CODICE ACCESSORI	N°	L(mm)	NOTE	
*	*	*		
*	*	*		
*	*	*		
*	*	*		



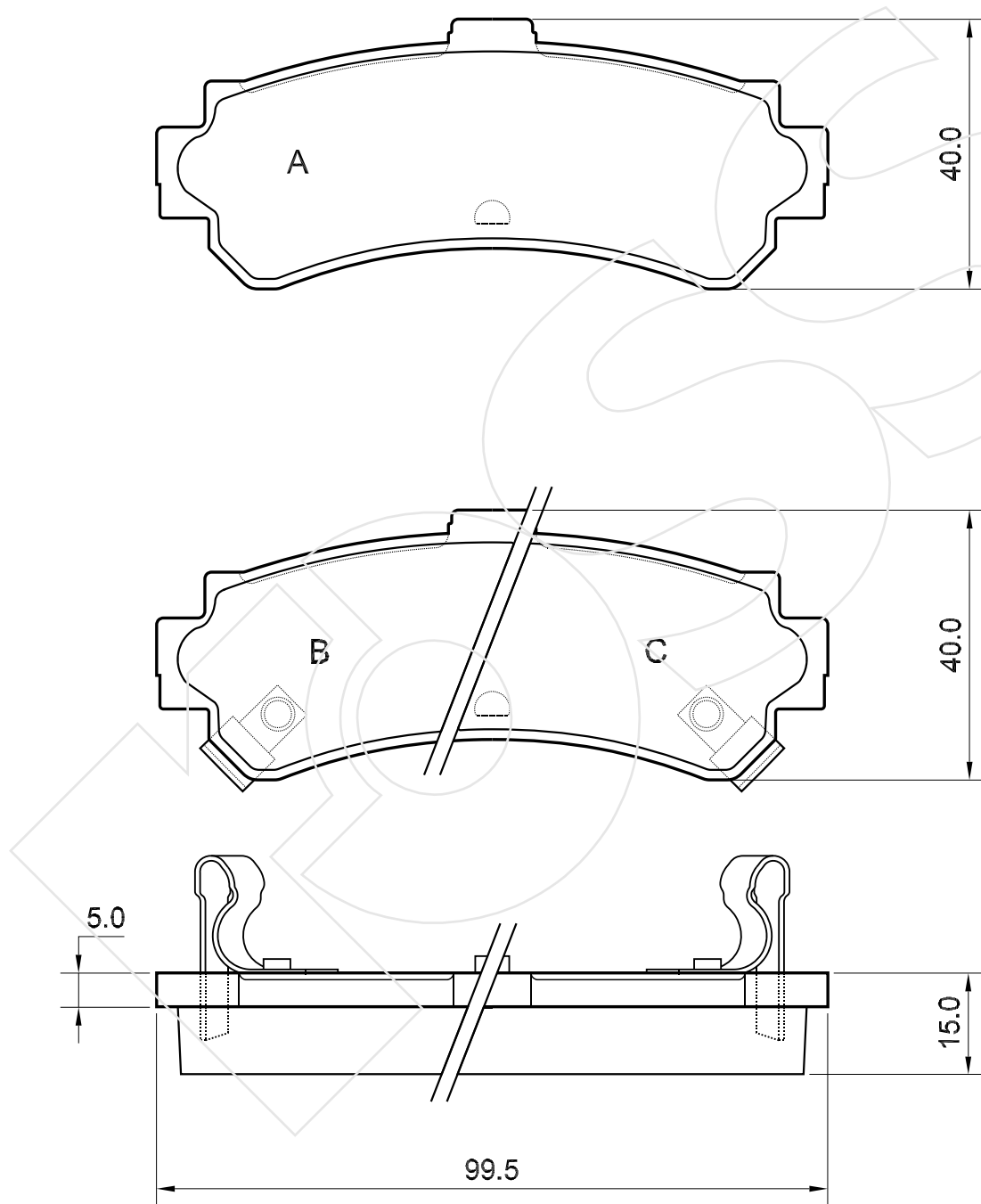
Reference in this Catalogue to other manufactures and to part numbers and other descriptions are for identification purposes only, because the above DISC BRAKE PADS are NOT ORIGINAL but with these interchangeable.

CODICE	IMPIANTO		ASSE	SCALA	APPLICAZIONI
<b>R-689</b>	ATE		POSTERIORE	100%	MERCEDES
CODICE COMPONENTI	N°	L(mm)	SERIE		
*	*	*	2 PEZZI TIPO A		
M0131	2	*	2 PEZZI TIPO B		
*	*	*	*		
*	*	*	*		
CODICE ACCESSORI	N°	L(mm)	NOTE		
*	*	*			
*	*	*			
*	*	*			
*	*	*			



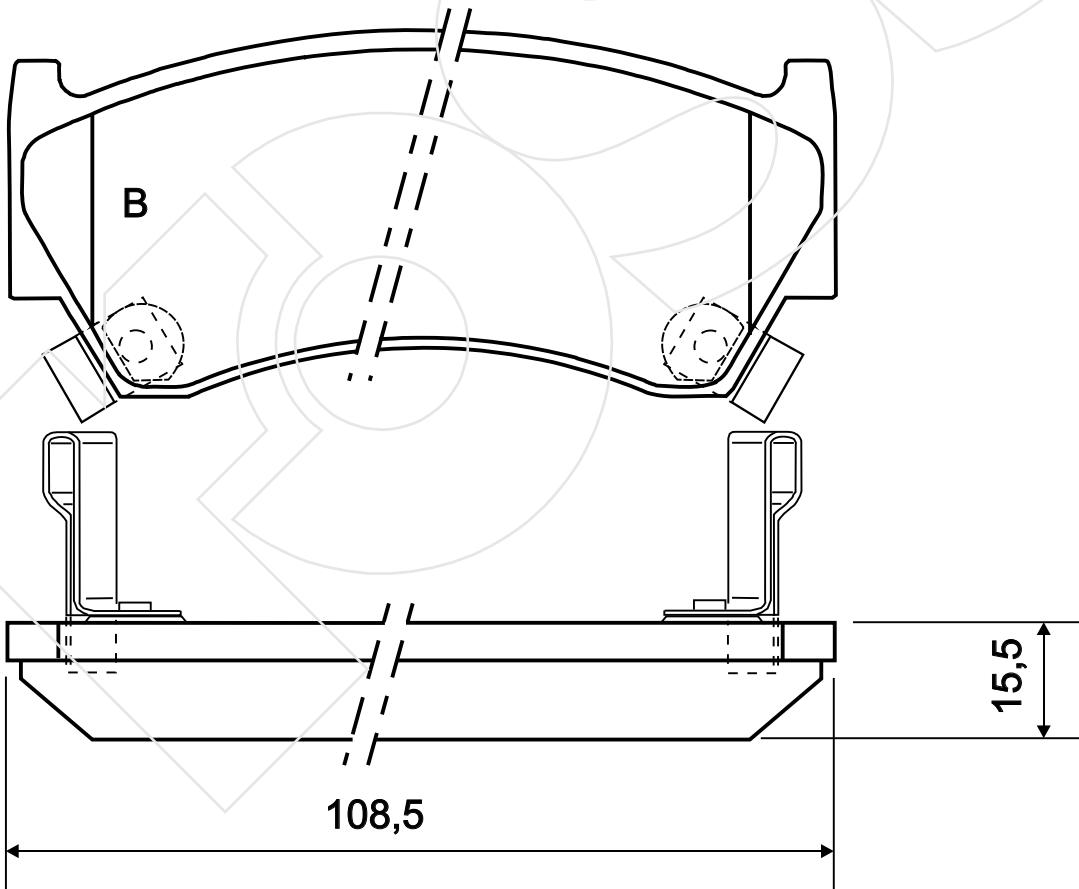
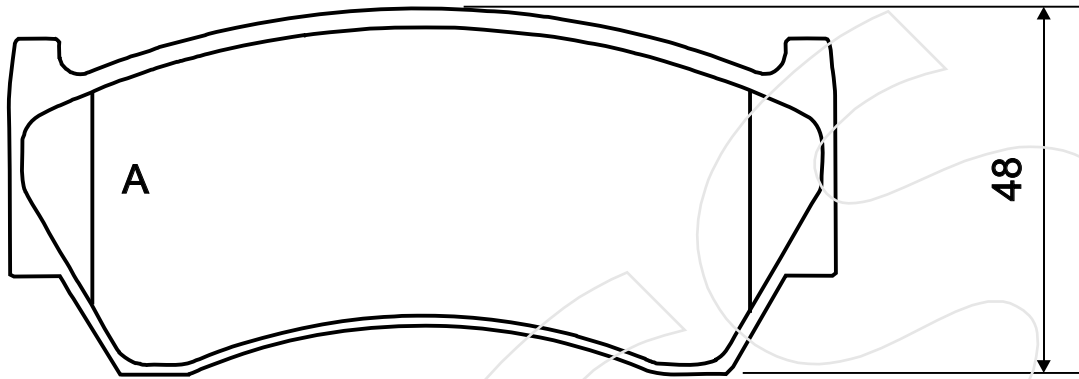
Reference in this Catalogue to other manufactures and to part numbers and other descriptions are for identification purposes only, because the above DISC BRAKE PADS are NOT ORIGINAL but with these interchangeable.

CODICE	IMPIANTO		ASSE	SCALA	APPLICAZIONI
<b>R-690</b>	AKEBONO		POSTERIORE	100%	NISSAN DATSUN
CODICE COMPONENTI	N°	L(mm)	SERIE		
*	*	*	2 PEZZI TIPO A		
M0074	1	*	1 PEZZO TIPO B		
M0074	1	*	1 PEZZO TIPO C		
*	*	*	*		
CODICE ACCESSORI	N°	L(mm)	NOTE		
*	*	*			
*	*	*			
*	*	*			
*	*	*			



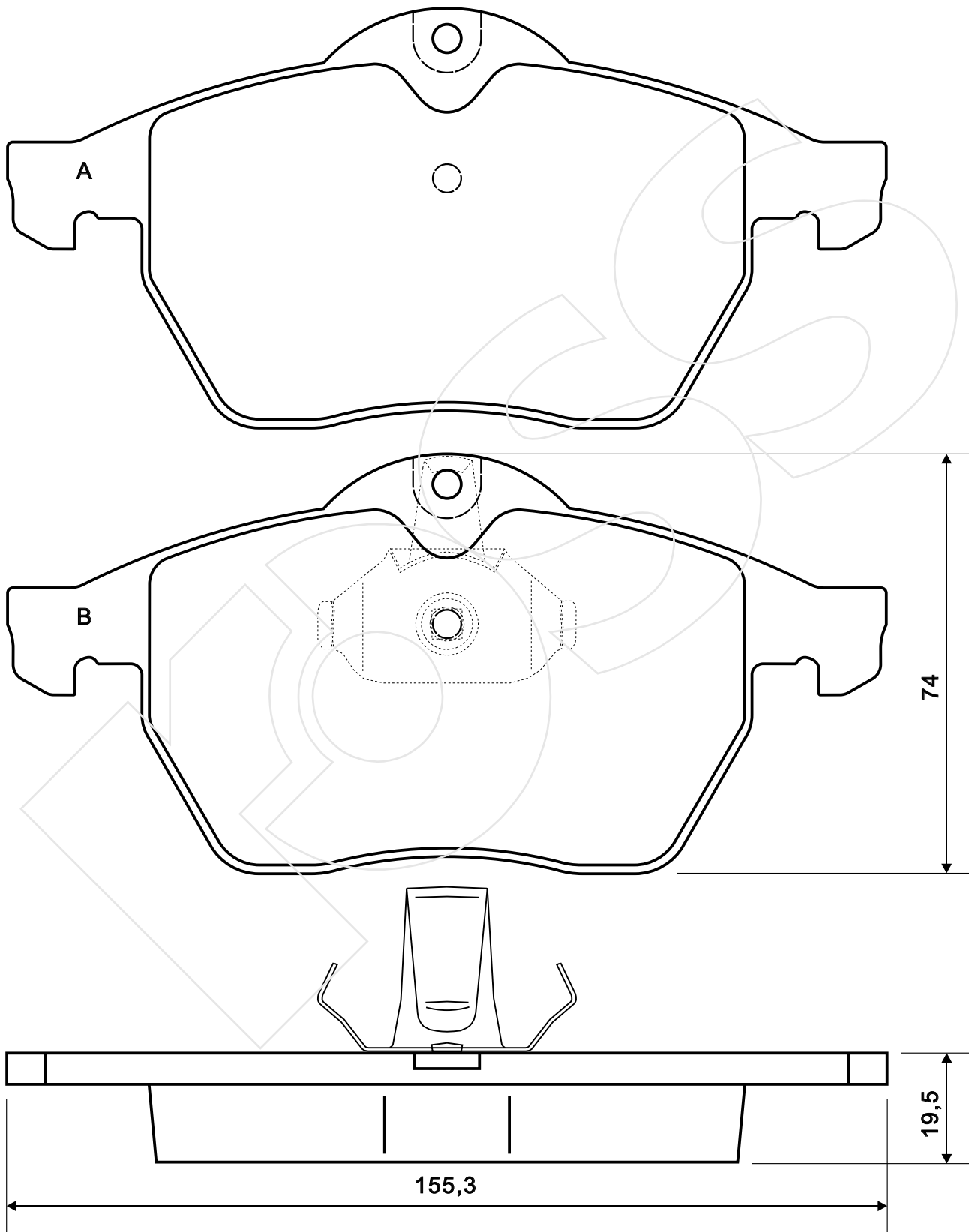
Reference in this Catalogue to other manufactures and to part numbers and other descriptions are for identification purposes only, because the above DISC BRAKE PADS are NOT ORIGINAL but with these interchangeable.

CODICE	IMPIANTO		ASSE	SCALA	APPLICAZIONI
<b>R-691</b>	SUMITOMO		ANTERIORE	1:1	NISSAN-DATSUN
CODICE COMPONENTI	N°	L(mm)	SERIE		
*	*	*	2 PEZZI TIPO A		
M0036	1	*	1 PEZZO TIPO B DX		
M0036	1	*	1 PEZZO TIPO B SX		
CODICE ACCESSORI	N°	L(mm)	NOTE		
*	*	*	*		
*	*	*	*		
*	*	*	*		
*	*	*	*		



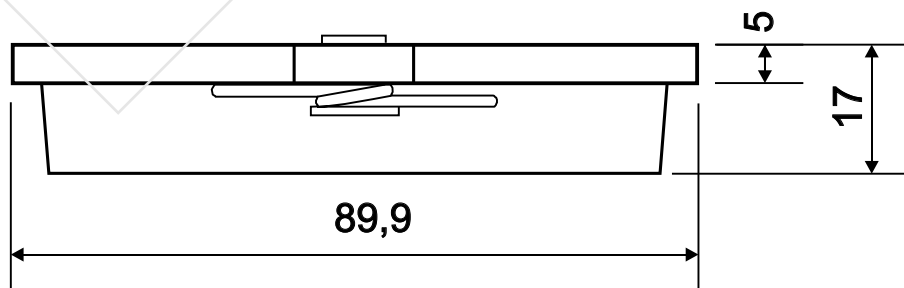
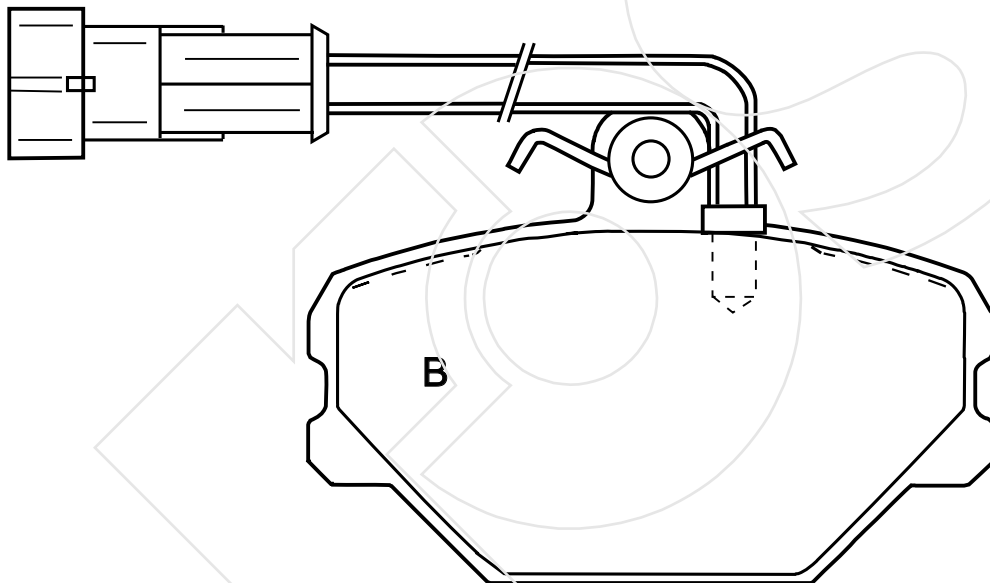
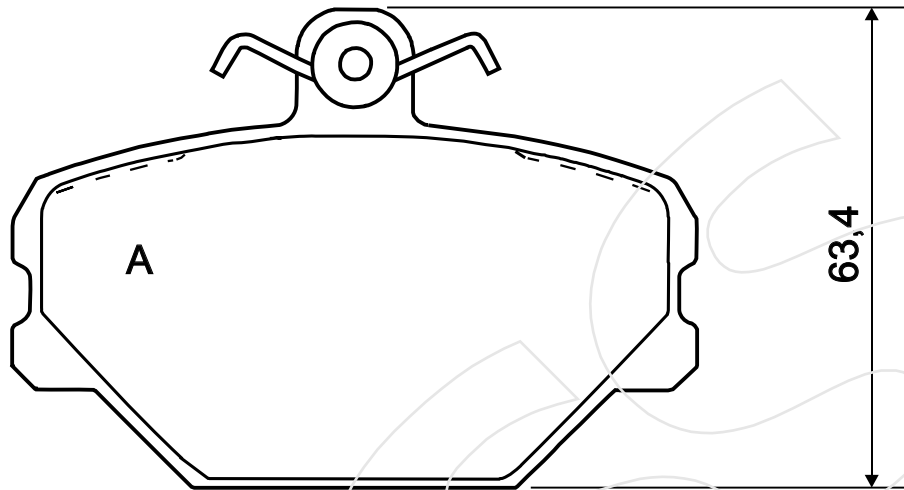
Reference in this Catalogue to other manufactures and to part numbers and other descriptions are for identification purposes only, because the above DISC BRAKE PADS are NOT ORIGINAL but with these interchangeable.

CODICE	IMPIANTO		ASSE	SCALA	APPLICAZIONI
<b>R-692</b>	ATE		ANTERIORE	1:1	OPEL
CODICE COMPONENTI	N°	L(mm)	SERIE		
*	*	*	2 PEZZI TIPO A		
M0132	2		2 PEZZI TIPO B		
*	*				
CODICE ACCESSORI	N°	L(mm)	NOTE		
*	*				
*	*				
*	*				
*	*				



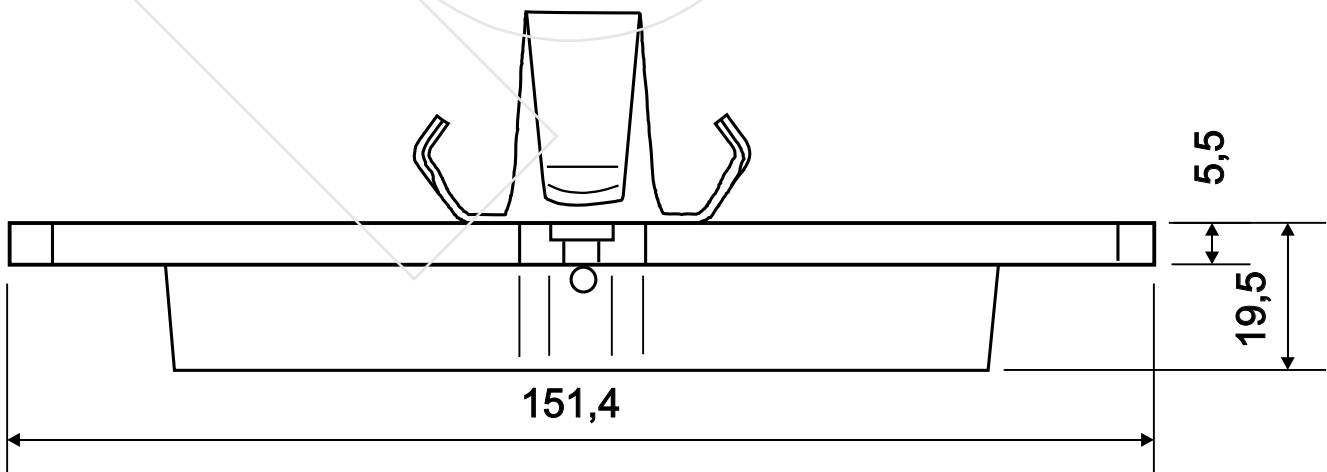
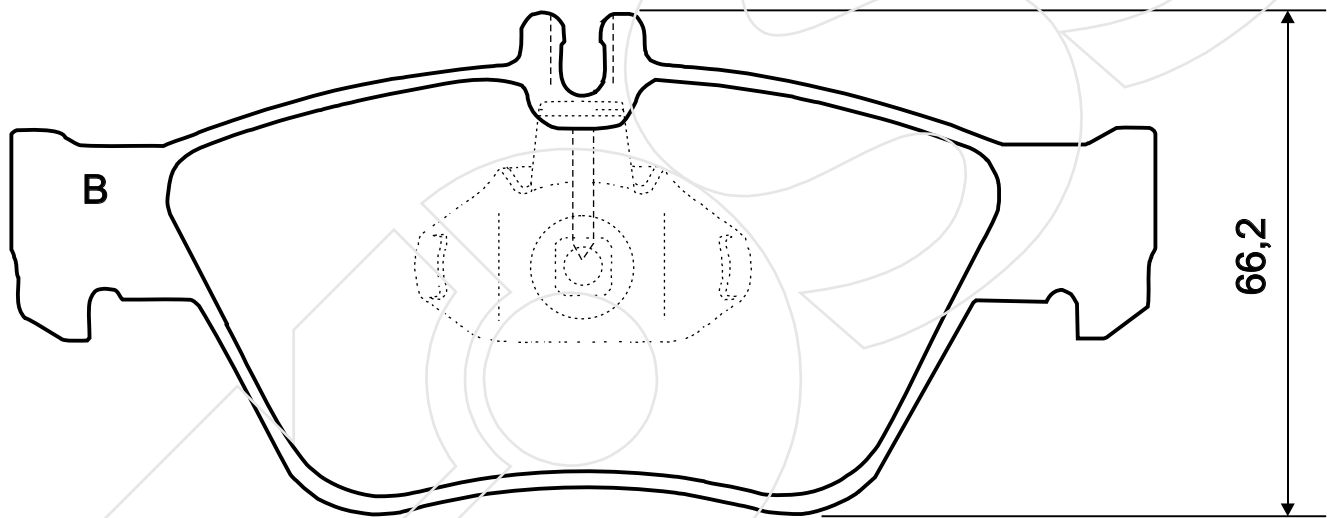
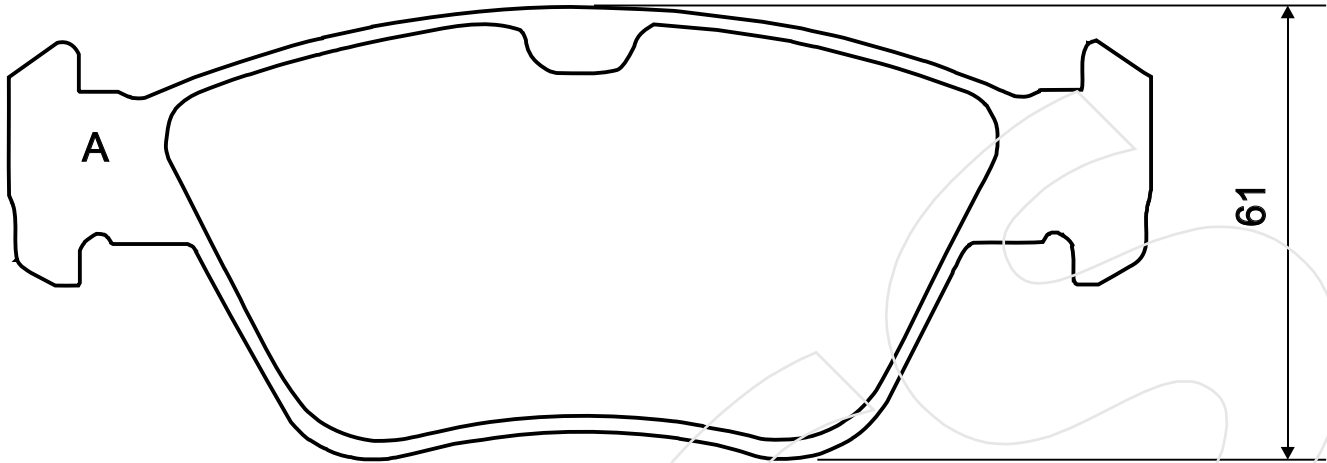
Reference in this Catalogue to other manufactures and to part numbers and other descriptions are for identification purposes only, because the above DISC BRAKE PADS are NOT ORIGINAL but with these interchangeable.

CODICE	IMPIANTO		ASSE	SCALA	APPLICAZIONI
<b>R-693</b>	GIRLING		ANTERIORE	1:1	FIAT FSO
CODICE COMPONENTI	N°	L(mm)	SERIE		
M0077+P1011	2+2	*	2 PEZZI TIPO A		
M0077+P1011+F3068	2+2+2	270	2 PEZZI TIPO B		
*			*		
CODICE ACCESSORI	N°	L(mm)	NOTE		
*	*		*		
*	*		*		
*	*		*		
*	*		*		



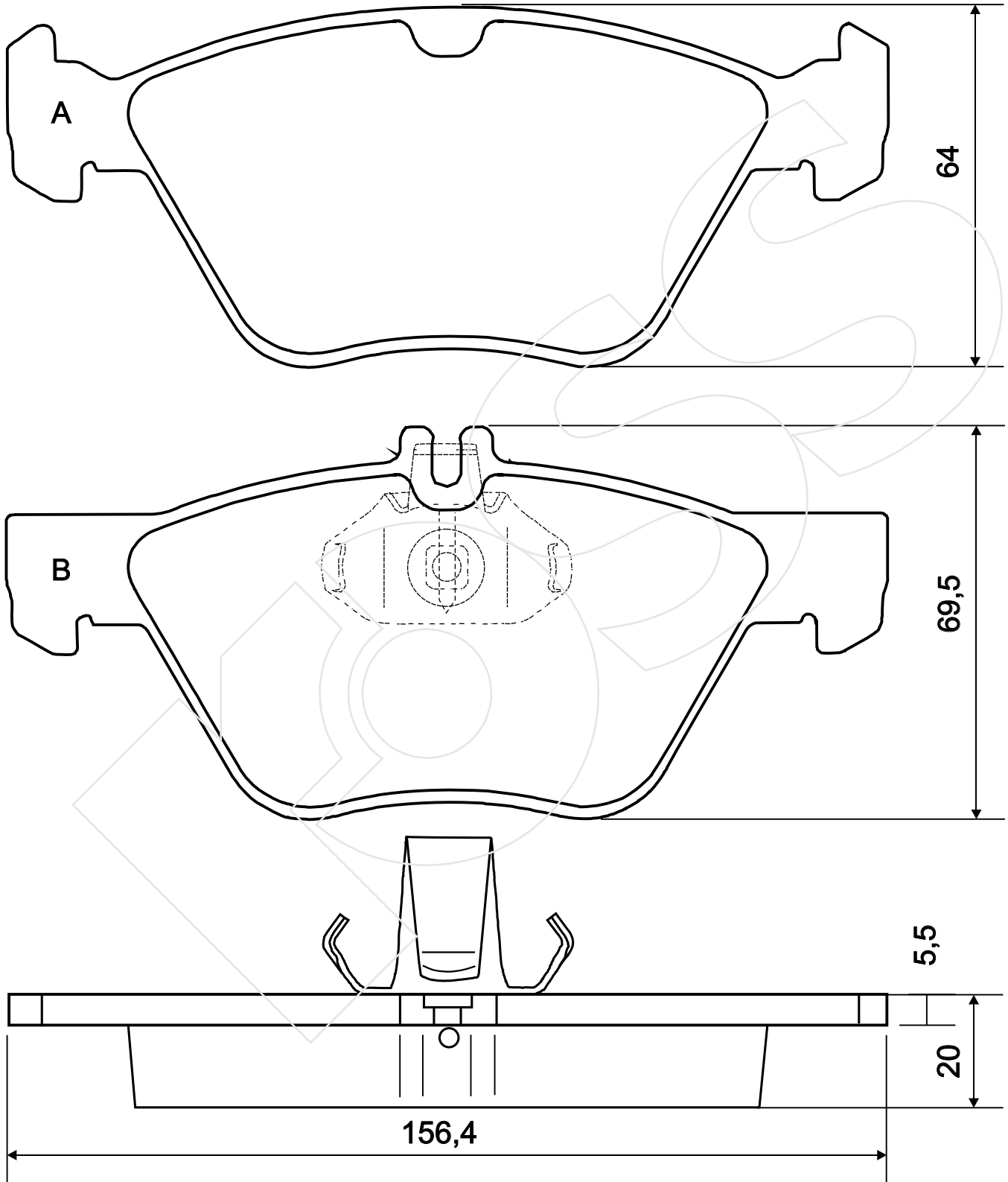
Reference in this Catalogue to other manufactures and to part numbers and other descriptions are for identification purposes only, because the above DISC BRAKE PADS are NOT ORIGINAL but with these interchangeable.

CODICE	IMPIANTO		ASSE	SCALA	APPLICAZIONI
<b>R-694</b>	ATE		ANTERIORE	1:1	MERCEDES
CODICE COMPONENTI	N°	L(mm)	SERIE		
*	*	*	2 PEZZI TIPO A		
M0132	2	*	2 PEZZI TIPO B		
*	*	*			
CODICE ACCESSORI	N°	L(mm)	NOTE		
*	*	*			
*	*	*			
*	*	*			
*	*	*			



Reference in this Catalogue to other manufactures and to part numbers and other descriptions are for identification purposes only, because the above DISC BRAKE PADS are NOT ORIGINAL but with these interchangeable.

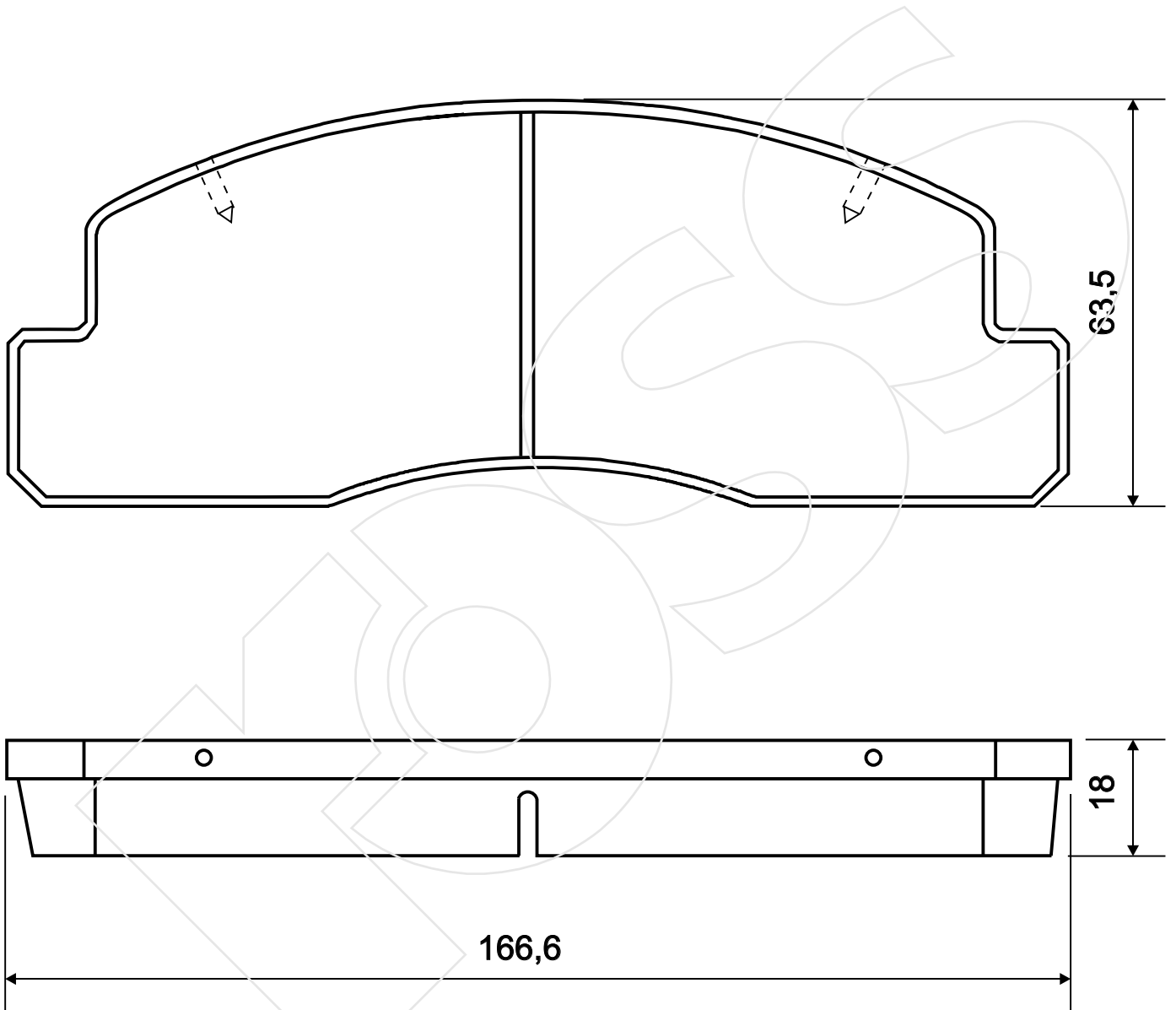
CODICE	IMPIANTO		ASSE	SCALA	APPLICAZIONI
<b>R-695</b>	ATE		ANTERIORE	1:1	MERCEDES
CODICE COMPONENTI	N°	L(mm)	SERIE		
*	*	*	2 PEZZI TIPO A		
M0132	2	*	2 PEZZI TIPO B		
*	*	*	*		
CODICE ACCESSORI	N°	L(mm)	NOTE		
*	*	*	*		
*	*	*	*		
*	*	*	*		
*	*	*	*		



Reference in this Catalogue to other manufactures and to part numbers and other descriptions are for identification purposes only, because the above DISC BRAKE PADS are NOT ORIGINAL but with these interchangeable.

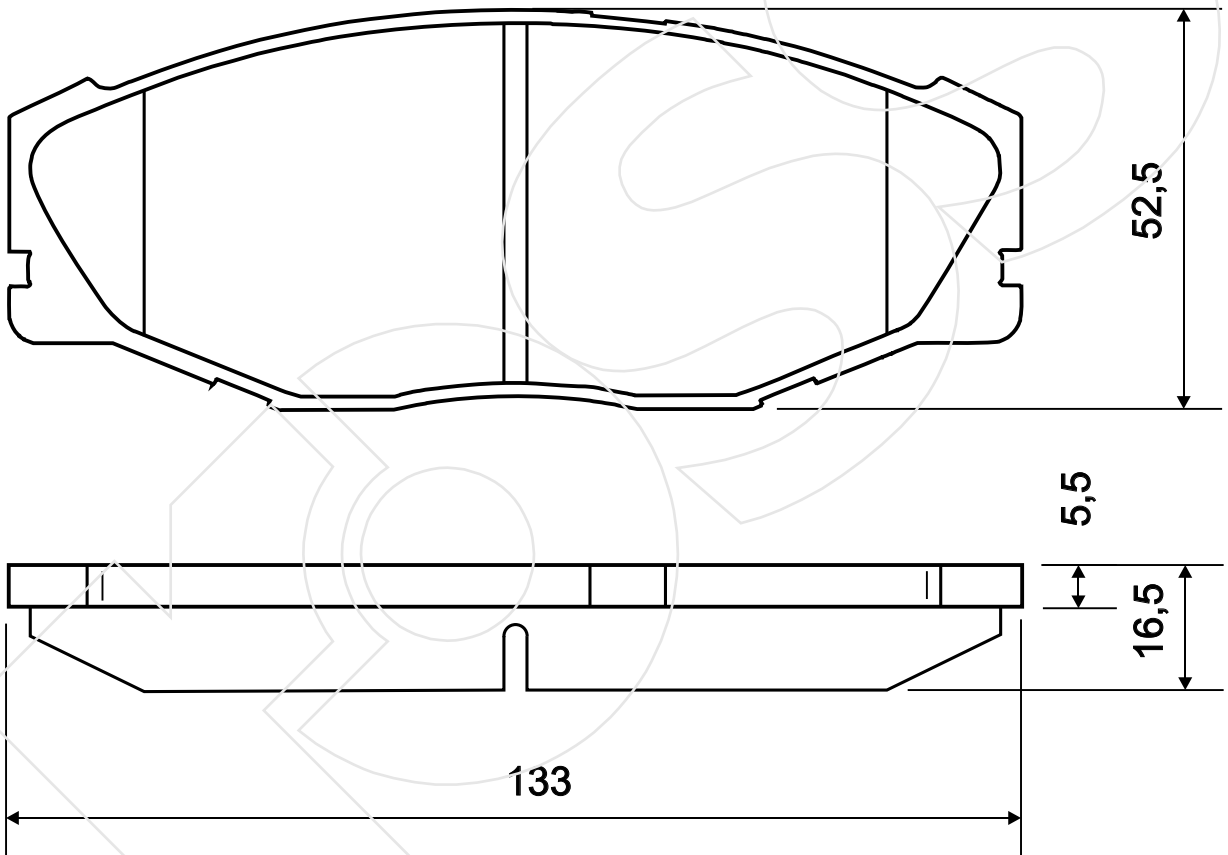


CODICE	IMPIANTO	ASSE	SCALA	APPLICAZIONI
<b>R-696</b>	SUMITOMO	ANTERIORE	1:1	TOYOTA
CODICE COMPONENTI	N°	L(mm)	SERIE	
*	*	*	4 PEZZI	
*	*	*	*	
*	*	*	*	
CODICE ACCESSORI	N°	L(mm)	NOTE	
*	*	*	*	
*	*	*	*	
*	*	*	*	
*	*	*	*	



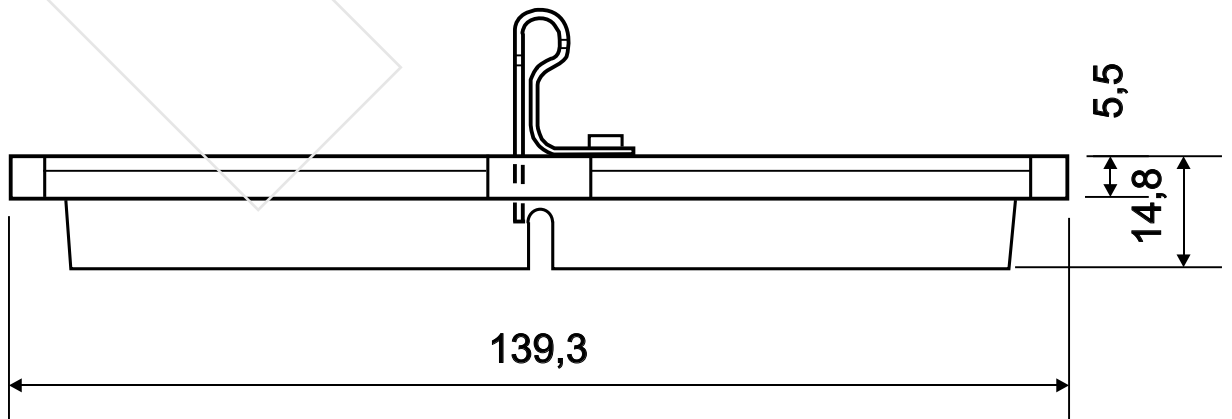
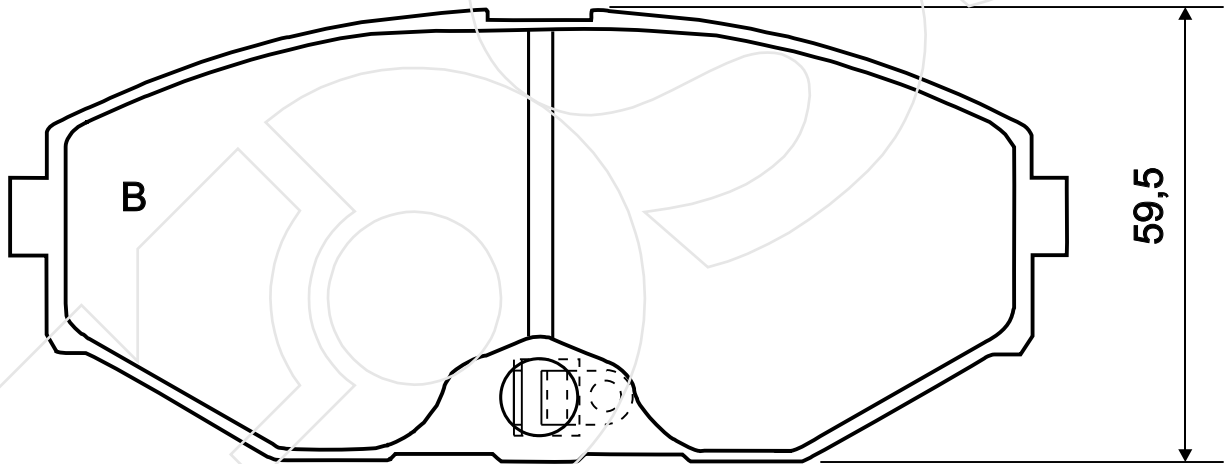
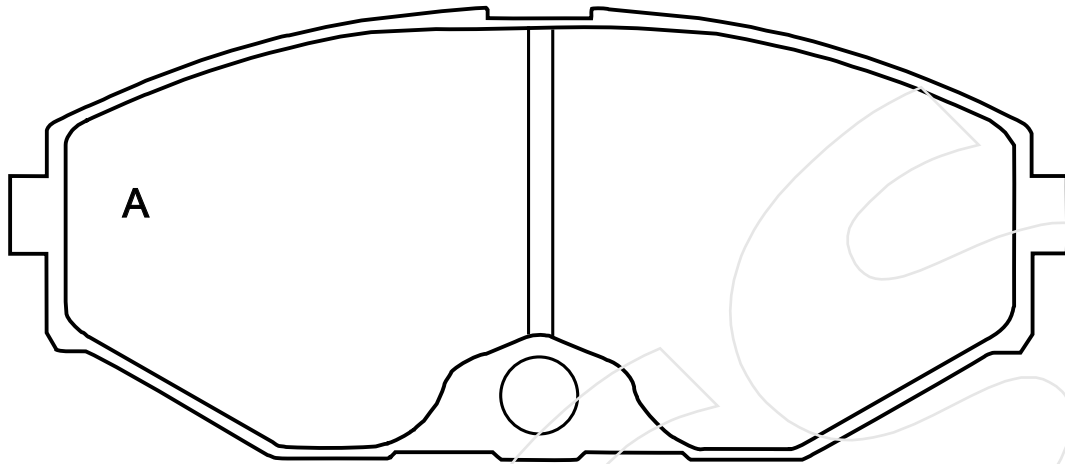
Reference in this Catalogue to other manufactures and to part numbers and other descriptions are for identification purposes only, because the above DISC BRAKE PADS are NOT ORIGINAL but with these interchangeable.

CODICE	IMPIANTO		ASSE	SCALA	APPLICAZIONI
<b>R-697</b>	AKEBONO		ANTERIORE	1:1	TOYOTA
CODICE COMPONENTI	N°	L(mm)	SERIE		
*	*	*	4 PEZZI		
*	*	*			
*	*	*			
CODICE ACCESSORI	N°	L(mm)	NOTE		
*	*	*			
*	*	*			
*	*	*			
*	*	*			



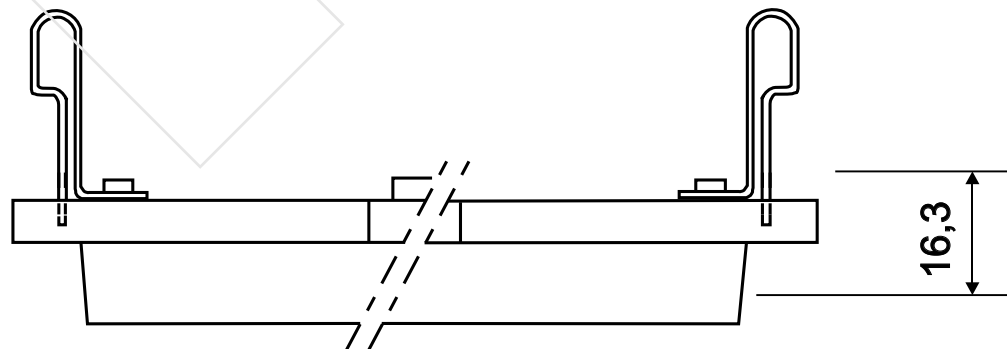
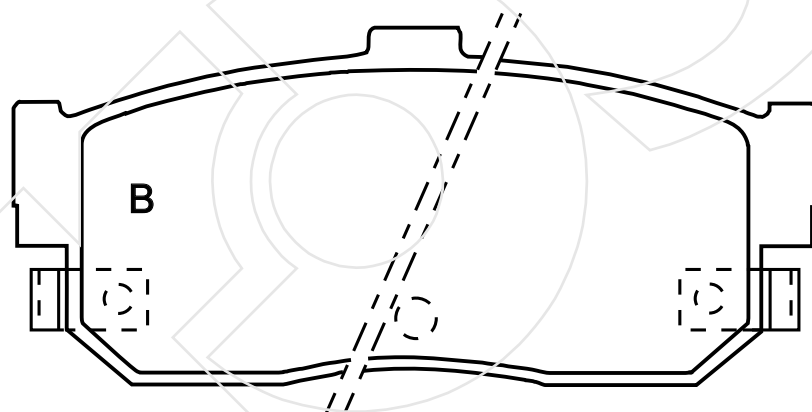
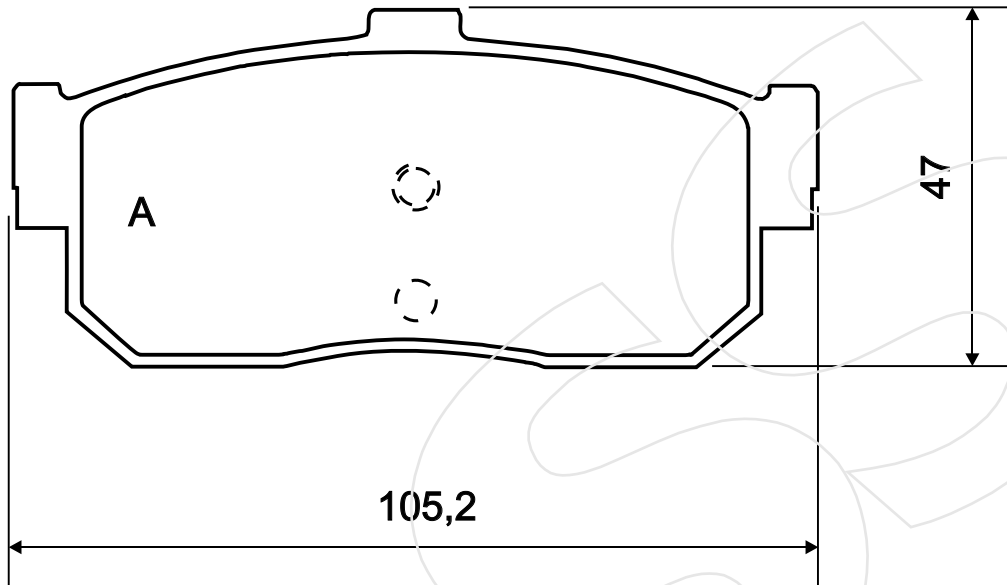
Reference in this Catalogue to other manufactures and to part numbers and other descriptions are for identification purposes only, because the above DISC BRAKE PADS are NOT ORIGINAL but with these interchangeable.

CODICE	IMPIANTO		ASSE	SCALA	APPLICAZIONI
<b>R-698</b>	AKEBONO		ANTERIORE	1:1	NISSAN-DATSUN
CODICE COMPONENTI	N°	L(mm)	SERIE		
*	*	*	2 PEZZI TIPO A		
M0074	2	*	2 PEZZI TIPO B		
*	*	*	*		
CODICE ACCESSORI	N°	L(mm)	NOTE		
*	*	*	*		
*	*	*	*		
*	*	*	*		
*	*	*	*		



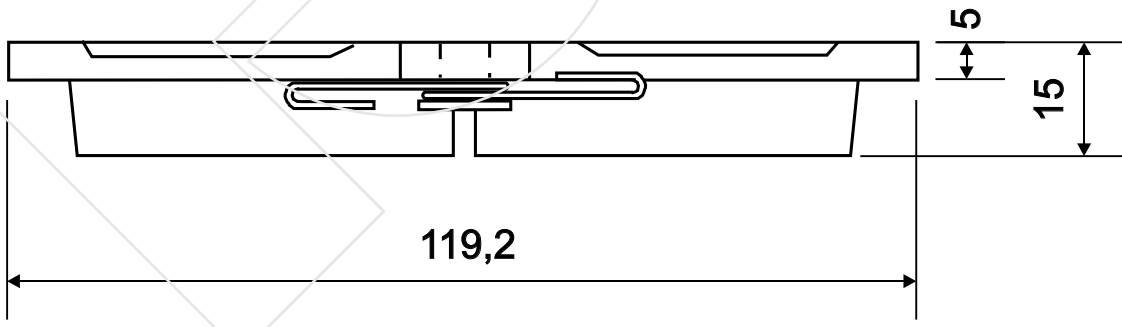
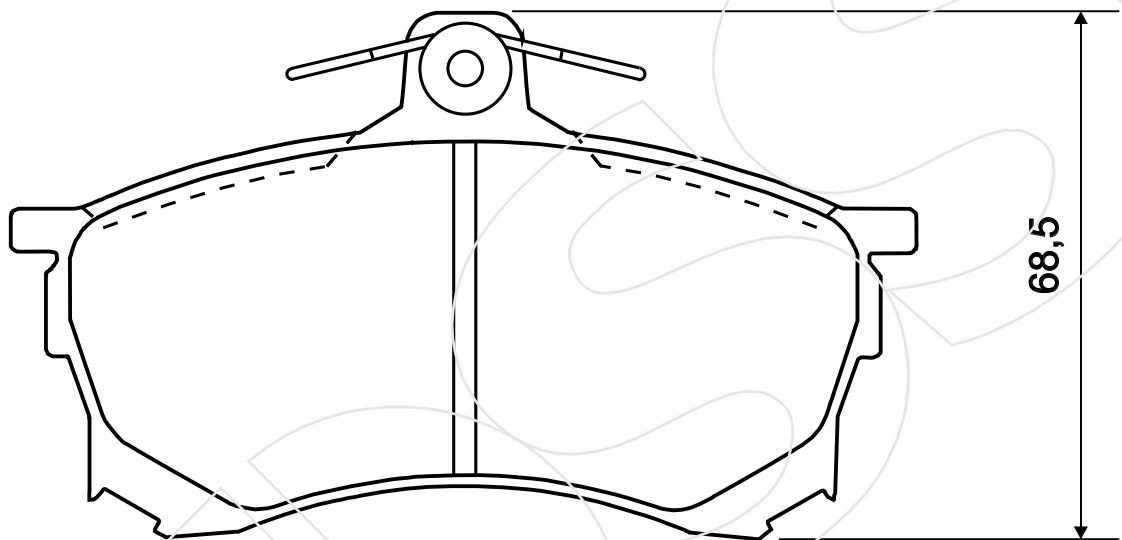
Reference in this Catalogue to other manufactures and to part numbers and other descriptions are for identification purposes only, because the above DISC BRAKE PADS are NOT ORIGINAL but with these interchangeable.

CODICE	IMPIANTO		ASSE	SCALA	APPLICAZIONI
<b>R-699</b>	SUMITOMO		POSTERIORE	1:1	NISSAN-DATSUN
CODICE COMPONENTI	N°	L(mm)	SERIE		
*	*	*	2 PEZZI TIPO A		
M0036	2	*	2 PEZZI TIPO B (dx+ sx)		
*	*	*			
CODICE ACCESSORI	N°	L(mm)	NOTE		
*	*	*			
*	*	*			
*	*	*			
*	*	*			



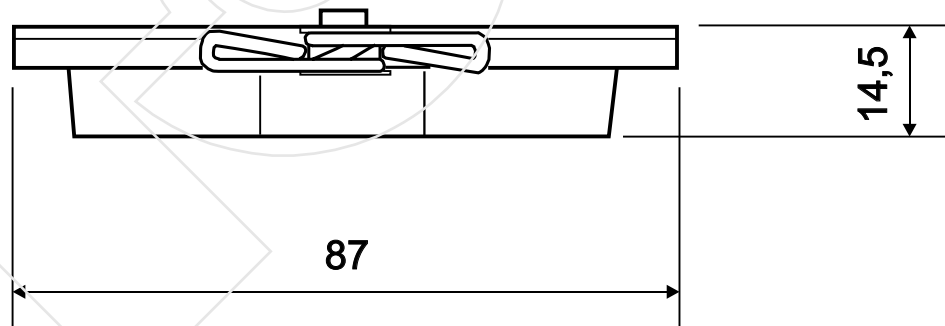
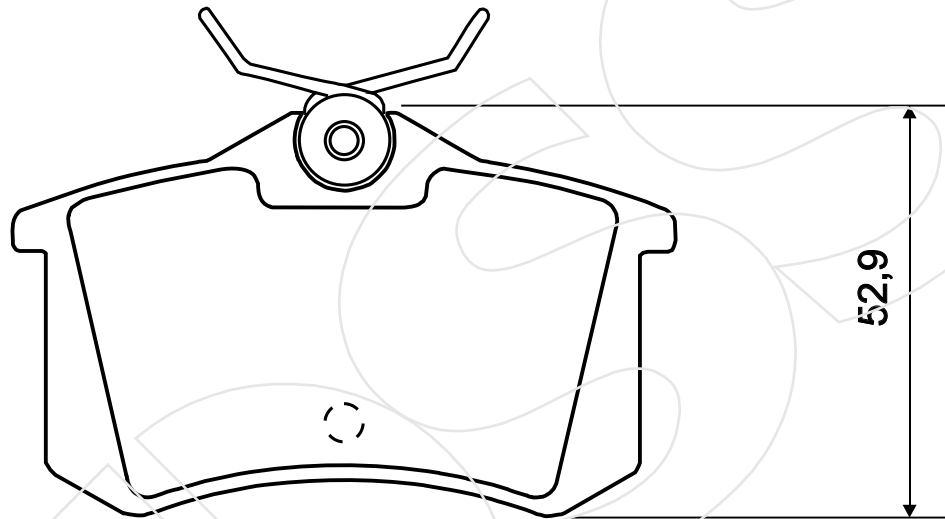
Reference in this Catalogue to other manufactures and to part numbers and other descriptions are for identification purposes only, because the above DISC BRAKE PADS are NOT ORIGINAL but with these interchangeable.

CODICE	IMPIANTO		ASSE	SCALA	APPLICAZIONI
<b>R-700</b>	GIRLING		ANTERIORE	1:1	mitsubishi
CODICE COMPONENTI	N°	L(mm)	SERIE		
M0013+P1012	4+4	*	4 PEZZI		
*	*	*	*		
*			*		
CODICE ACCESSORI	N°	L(mm)	NOTE		
*	*		*		
*	*		*		
*	*		*		
*	*		*		



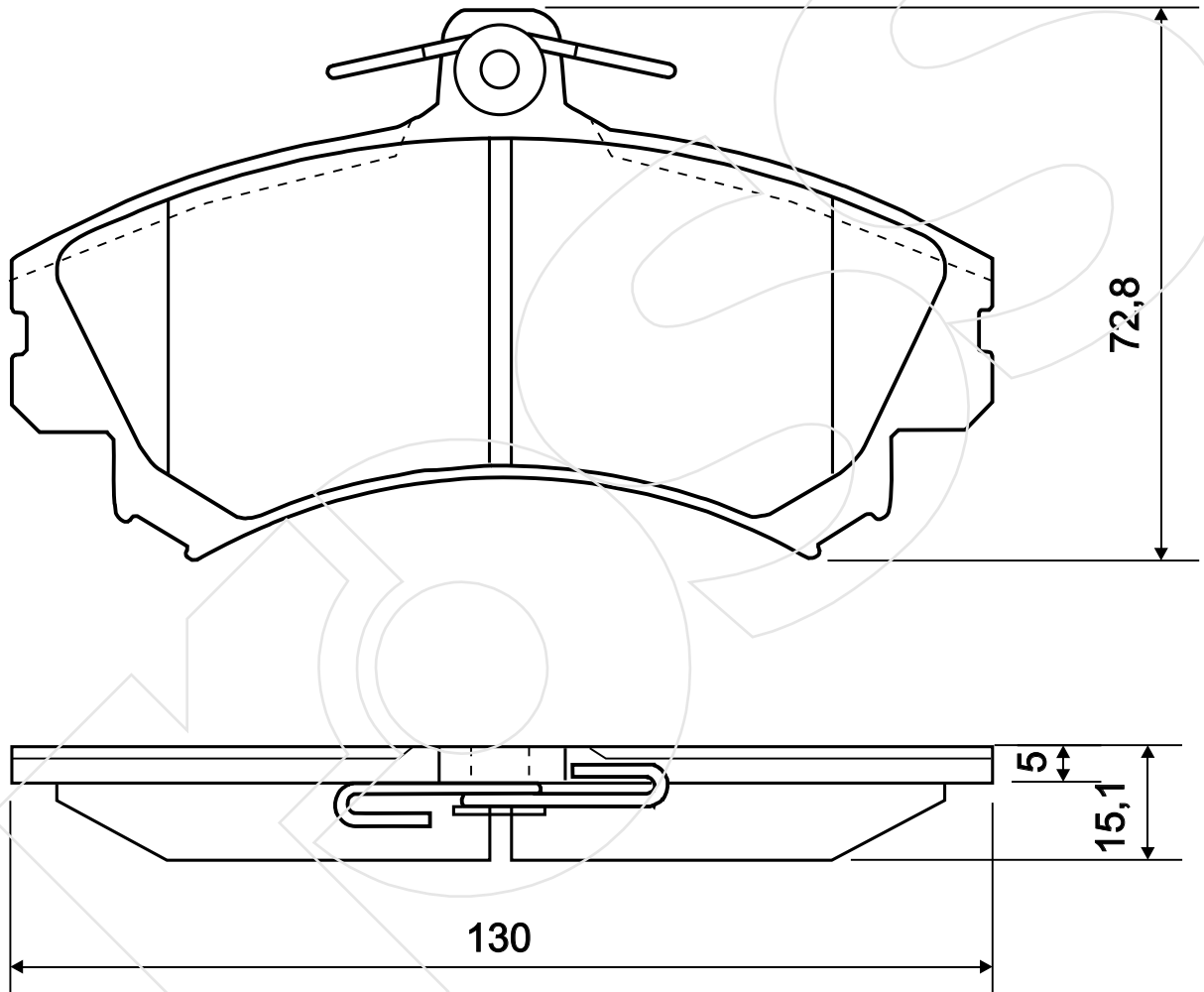
Reference in this Catalogue to other manufactures and to part numbers and other descriptions are for identification purposes only, because the above DISC BRAKE PADS are NOT ORIGINAL but with these interchangeable.

CODICE	IMPIANTO		ASSE	SCALA	APPLICAZIONI
<b>R-701</b>	GIRLING		POSTERIORE	1:1	LANCIA
CODICE COMPONENTI	N°	L(mm)	SERIE		
M0015+P1004	4+4	*	4 PEZZI		
*	*	*	*		
*			*		
CODICE ACCESSORI	N°	L(mm)	NOTE		
*	*		*		
*	*		*		
*	*		*		
*	*		*		



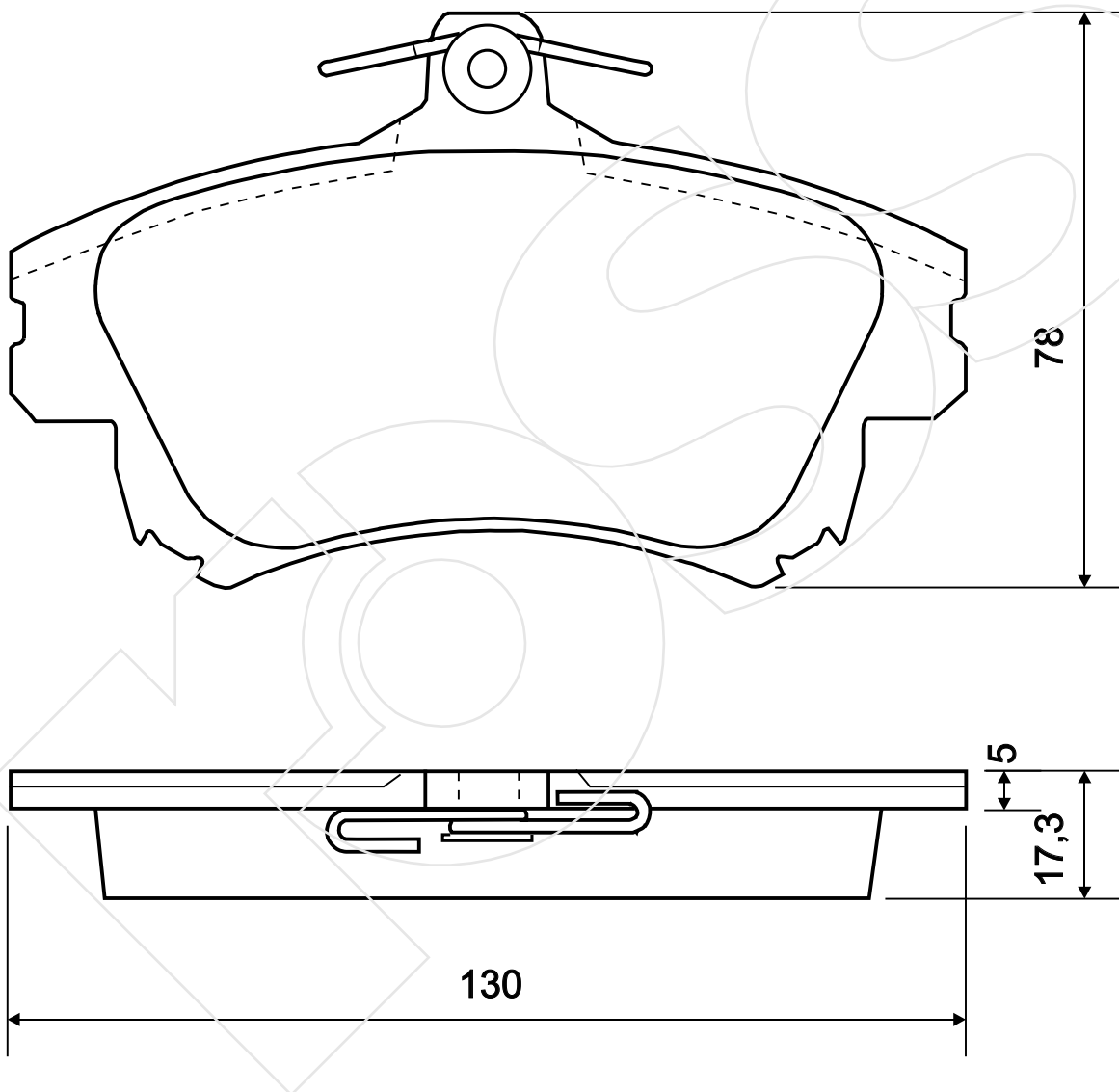
Reference in this Catalogue to other manufactures and to part numbers and other descriptions are for identification purposes only, because the above DISC BRAKE PADS are NOT ORIGINAL but with these interchangeable.

CODICE	IMPIANTO		ASSE	SCALA	APPLICAZIONI
<b>R-702</b>	GIRLING		ANTERIORE	1:1	MITSUBISHI VOLVO
CODICE COMPONENTI	N°	L(mm)	SERIE		
M0013+P1012	4+4	*	4 PEZZI		
*	*	*	*		
*	*	*	*		
CODICE ACCESSORI	N°	L(mm)	NOTE		
*	*	*	*		
*	*	*	*		
*	*	*	*		
*	*	*	*		



Reference in this Catalogue to other manufactures and to part numbers and other descriptions are for identification purposes only, because the above DISC BRAKE PADS are NOT ORIGINAL but with these interchangeable.

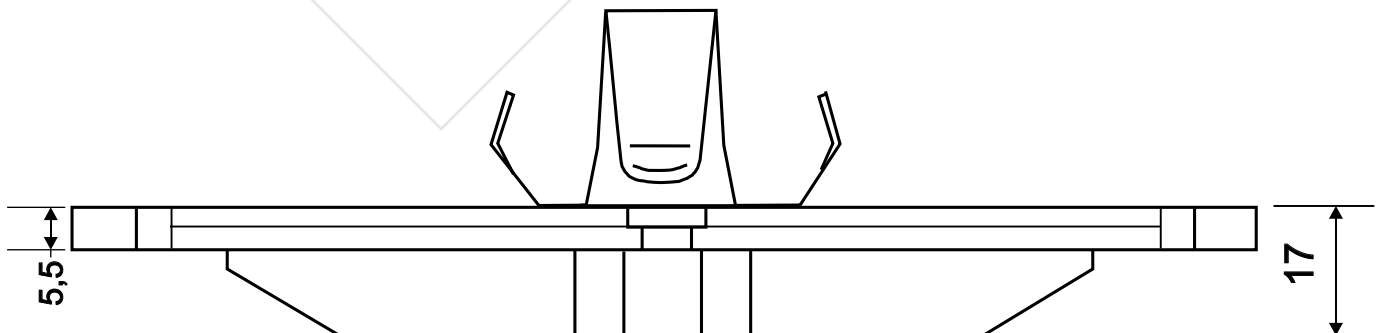
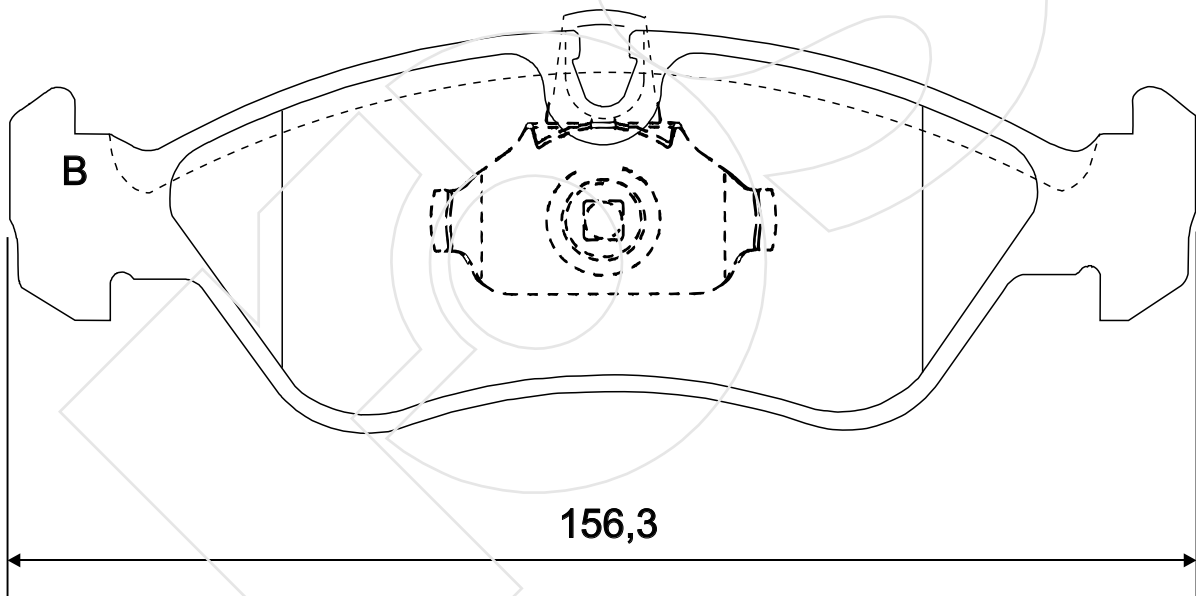
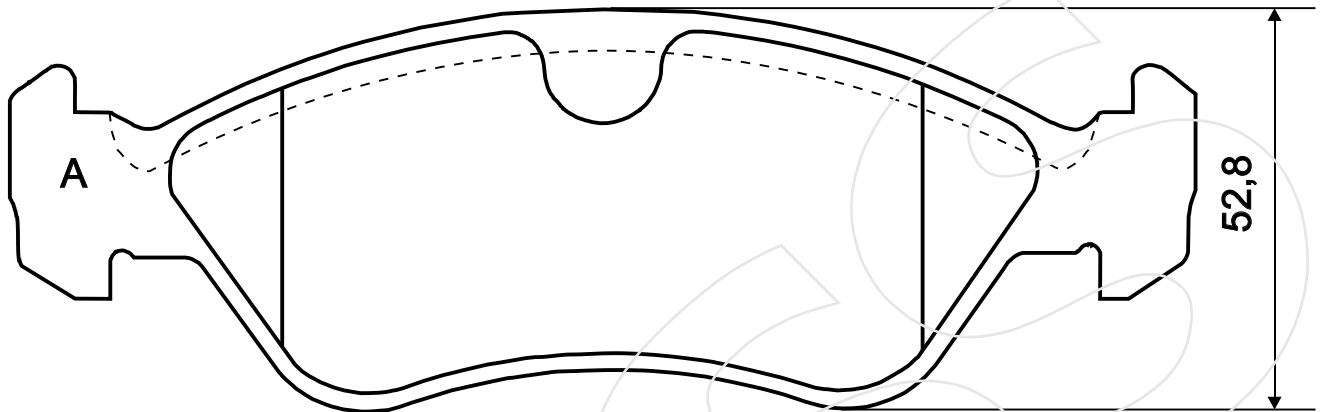
CODICE	IMPIANTO		ASSE	SCALA	APPLICAZIONI
<b>R-703</b>	GIRLING		ANTERIORE	1:1	MITSUBISHI VOLVO
CODICE COMPONENTI	N°	L(mm)	SERIE		
M0013+P1012	4+4	*	4 PEZZI		
*	*	*	*		
*	*	*	*		
CODICE ACCESSORI	N°	L(mm)	NOTE		
*	*	*	*		
*	*	*	*		
*	*	*	*		
*	*	*	*		



Reference in this Catalogue to other manufactures and to part numbers and other descriptions are for identification purposes only, because the above DISC BRAKE PADS are NOT ORIGINAL but with these interchangeable.

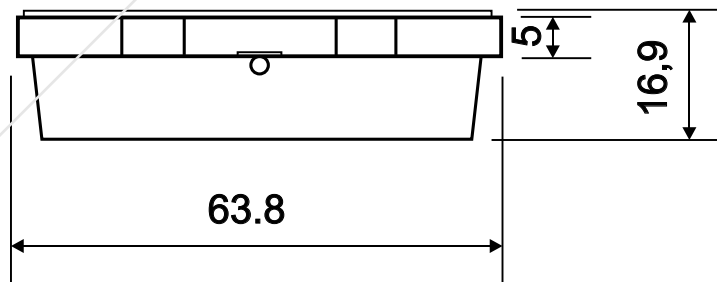
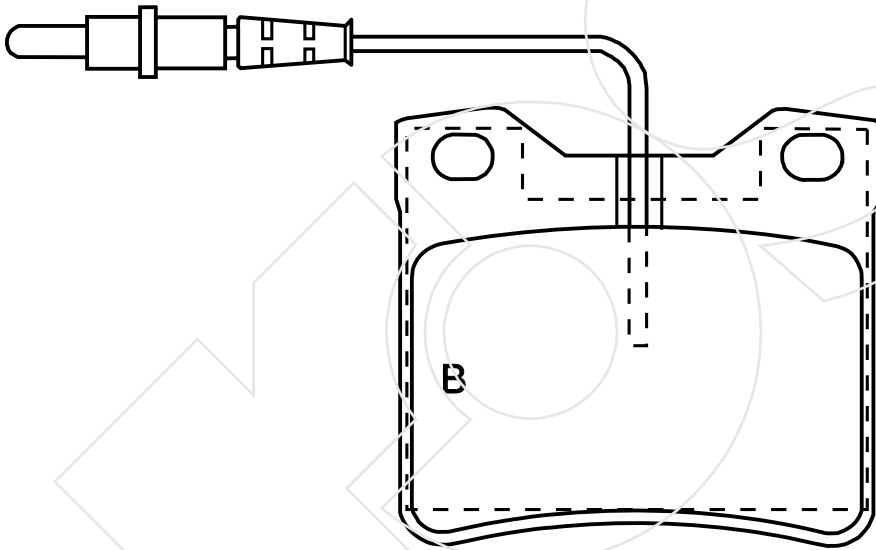
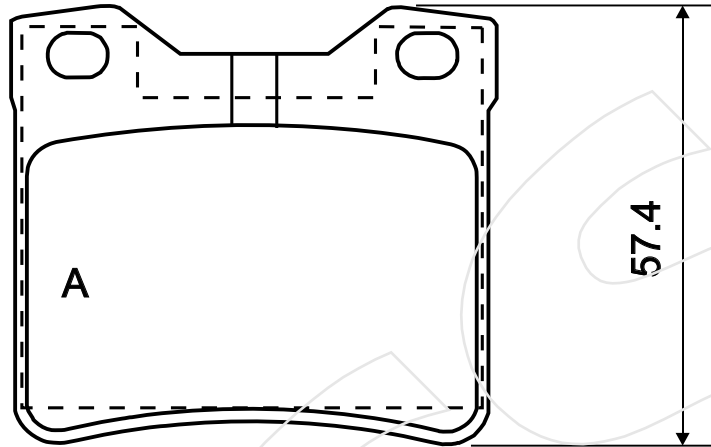


CODICE	IMPIANTO		ASSE	SCALA	APPLICAZIONI
<b>R-704</b>	ATE		ANTERIORE	1:1	OPEL
CODICE COMPONENTI	N°	L(mm)	SERIE		
*	*	*	2 PEZZI TIPO A		
M0131	2	*	2 PEZZI TIPO B		
*	*	*	*		
CODICE ACCESSORI	N°	L(mm)	NOTE		
*	*	*	*		
*	*	*	*		
*	*	*	*		
*	*	*	*		



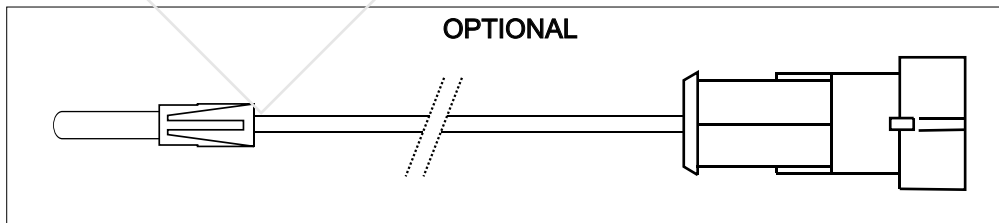
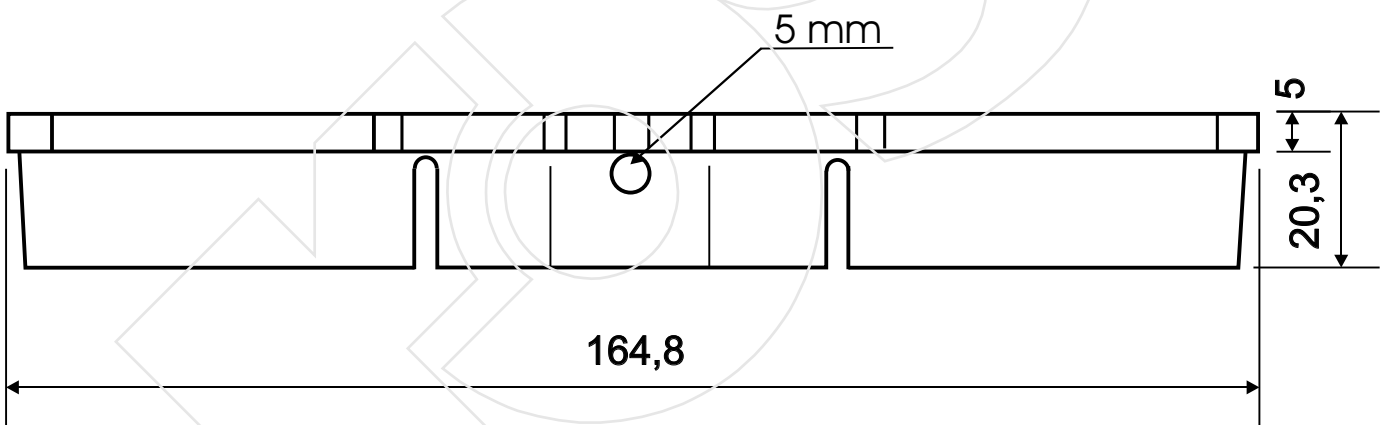
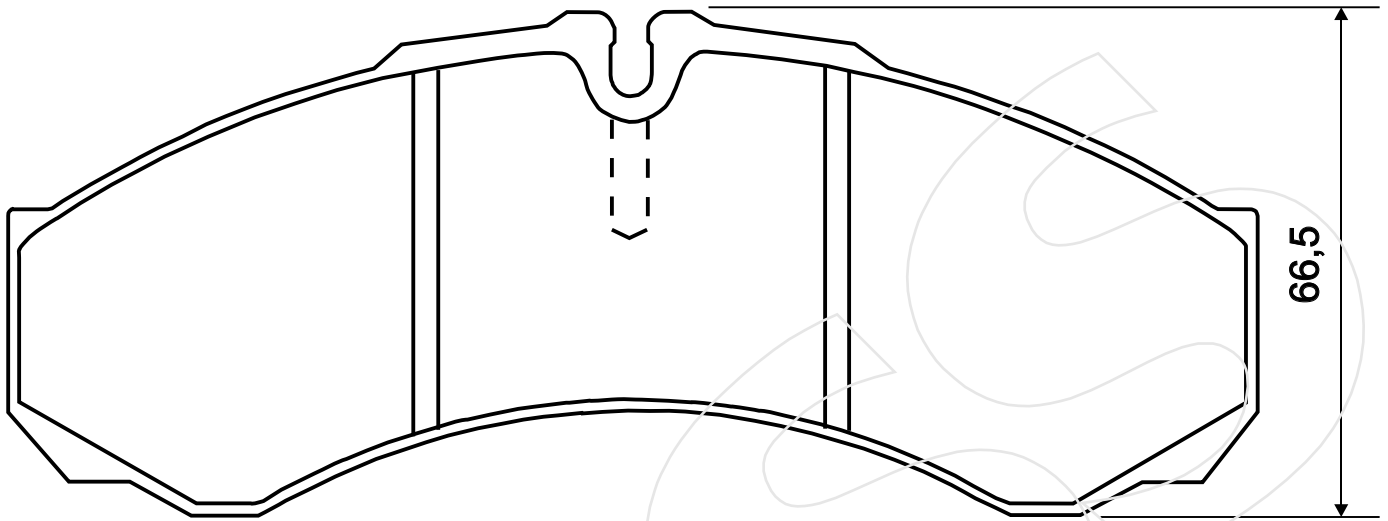
Reference in this Catalogue to other manufactures and to part numbers and other descriptions are for identification purposes only, because the above DISC BRAKE PADS are NOT ORIGINAL but with these interchangeable.

CODICE	IMPIANTO		ASSE	SCALA	APPLICAZIONI
<b>R-705</b>	ATE		POSTERIORE	1:1	MERCEDES
CODICE COMPONENTI	N°	L(mm)	SERIE		
*	*	*	2 PEZZI TIPO A		
F3010	2	120	2 PEZZI TIPO B		
*	*	*	*		
CODICE ACCESSORI	N°	L(mm)	NOTE		
*	*	*	*		
*	*	*	*		
*	*	*	*		
*	*	*	*		



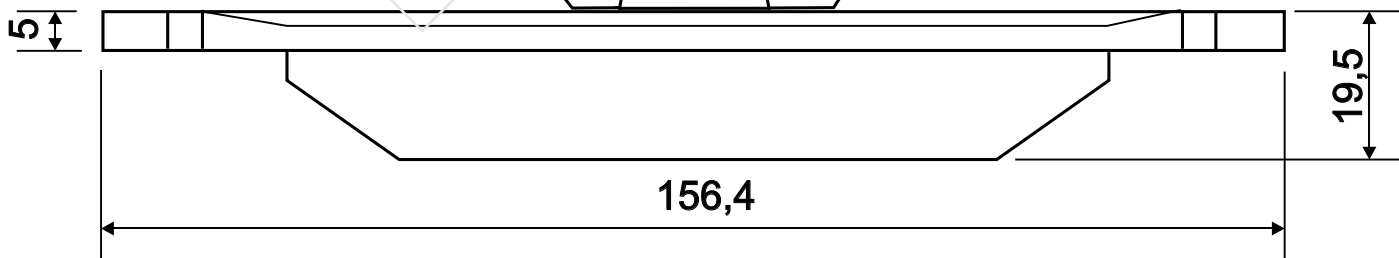
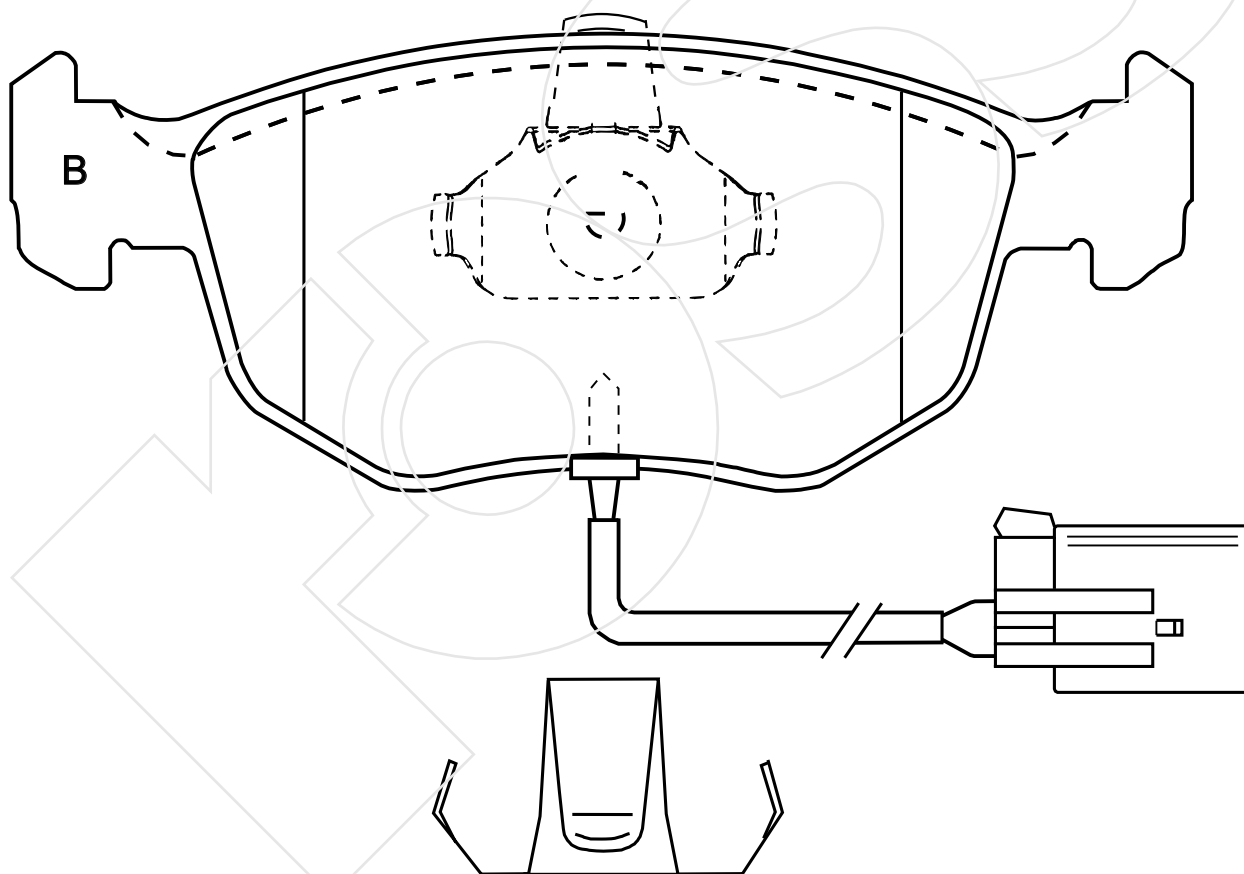
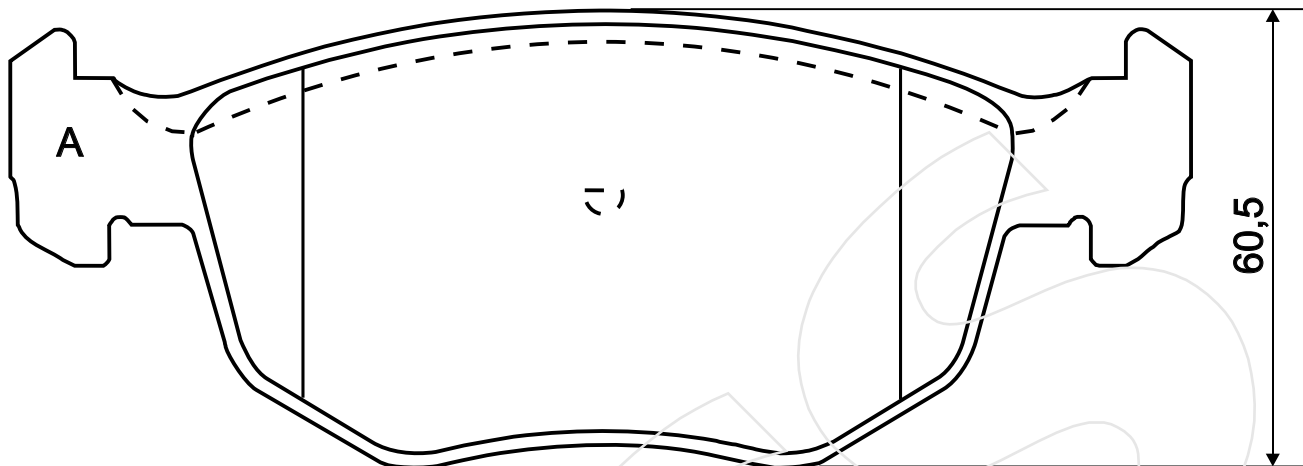
Reference in this Catalogue to other manufactures and to part numbers and other descriptions are for identification purposes only, because the above DISC BRAKE PADS are NOT ORIGINAL but with these interchangeable.

CODICE	IMPIANTO		ASSE	SCALA	APPLICAZIONI
<b>R-706</b>	BREMBO		ANTERIORE	1:1	FIAT IVECO
CODICE COMPONENTI	N°	L(mm)	SERIE		
*	*	*	4 PEZZI		
*	*	*	*		
OPTIONAL	N°	L(mm)	NOTE		
F3079	2	300	*		
*	*	*	*		
*	*	*	*		
*	*	*	*		



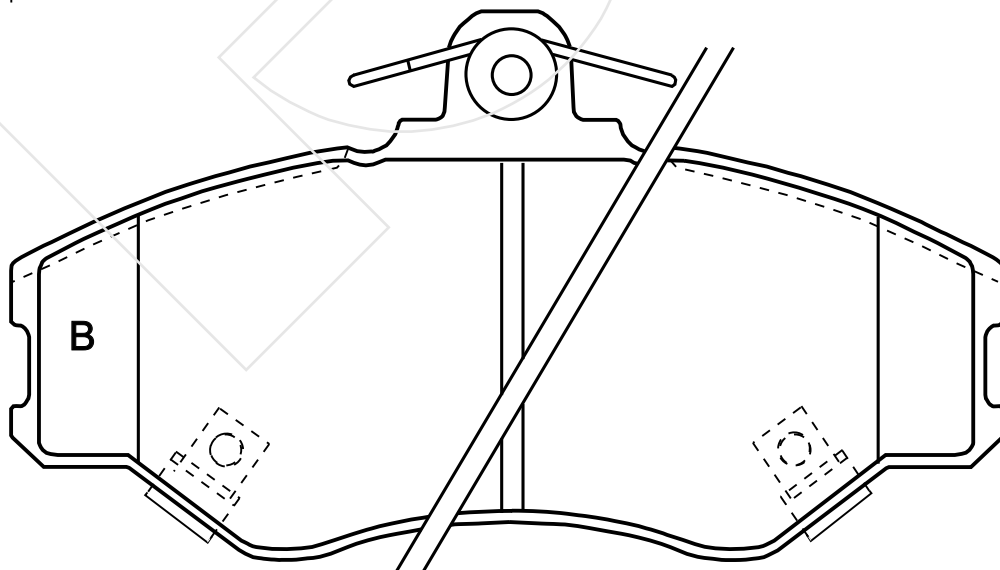
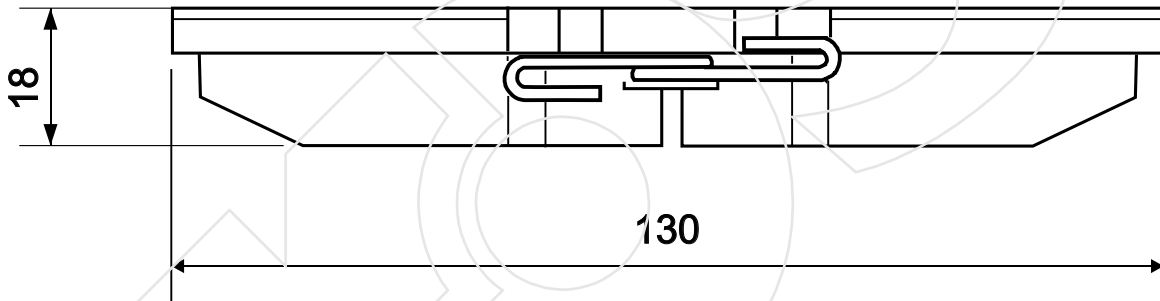
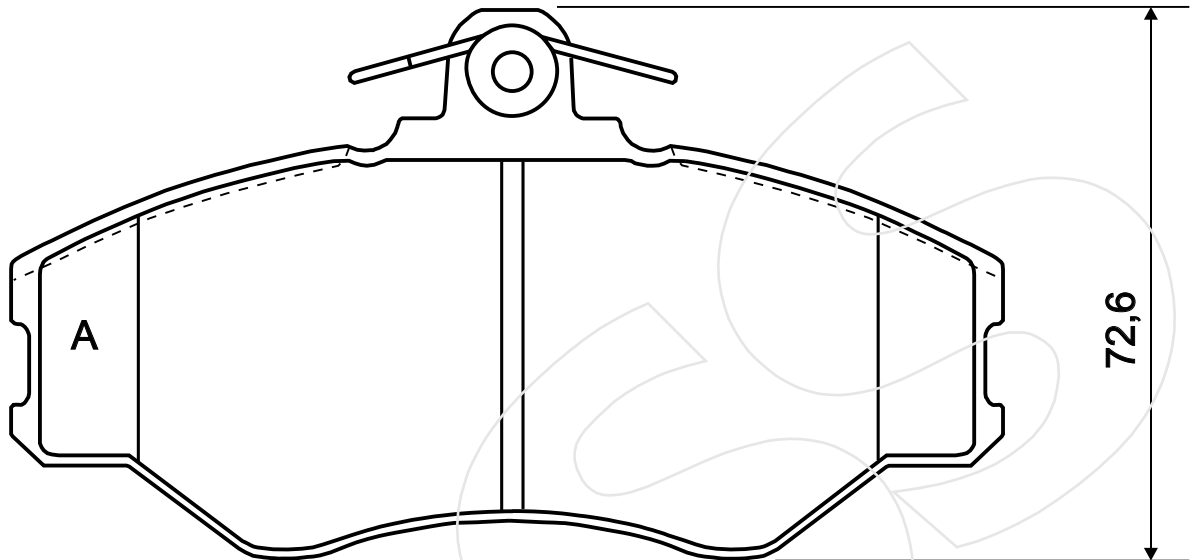
Reference in this Catalogue to other manufactures and to part numbers and other descriptions are for identification purposes only, because the above DISC BRAKE PADS are NOT ORIGINAL but with these interchangeable.

CODICE	IMPIANTO		ASSE	SCALA	APPLICAZIONI
<b>R-707</b>	ATE		ANTERIORE	1:1	FORD
CODICE COMPONENTI	N°	L(mm)	SERIE		
*	*		2 PEZZI TIPO A		
M0101+F3040	2+2	240	2 PEZZI TIPO B		
*	*		*		
CODICE ACCESSORI	N°	L(mm)	NOTE		
*	*		*		
*	*		*		
*	*		*		
*	*		*		



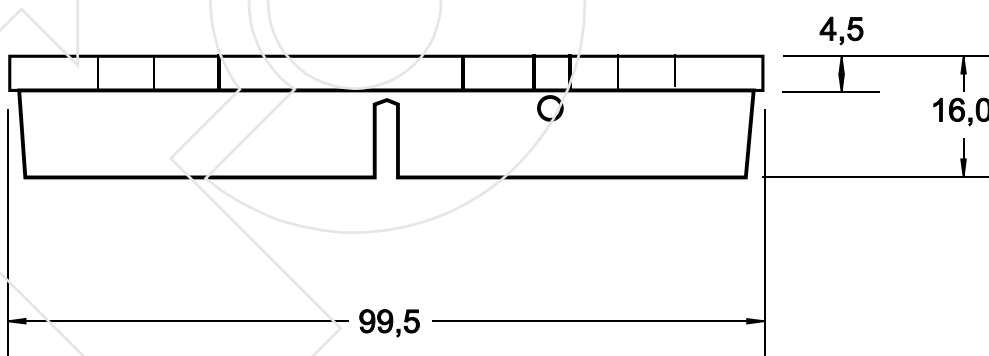
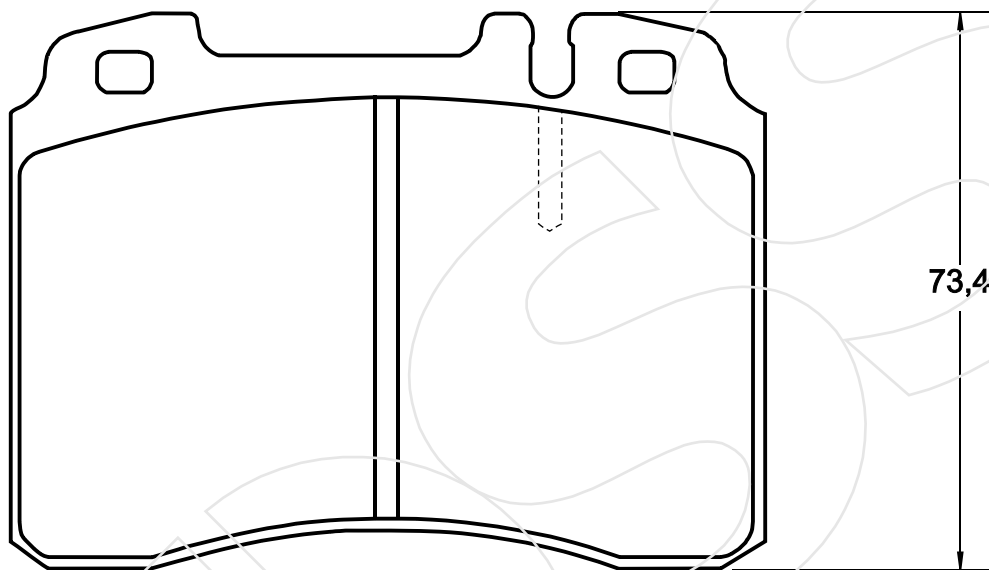
Reference in this Catalogue to other manufactures and to part numbers and other descriptions are for identification purposes only, because the above DISC BRAKE PADS are NOT ORIGINAL but with these interchangeable.

CODICE	IMPIANTO		ASSE	SCALA	APPLICAZIONI
<b>R-708</b>	GIRLING		ANTERIORE	1:1	HYUNDAI
CODICE COMPONENTI	N°	L(mm)	SERIE		
M0013	2	*	2 PEZZI TIPO A		
M0013 + M0074	2+2		2 PEZZI TIPO B		
*	*				
CODICE ACCESSORI	N°	L(mm)	NOTE		
*	*				
*	*				
*	*				
*	*				



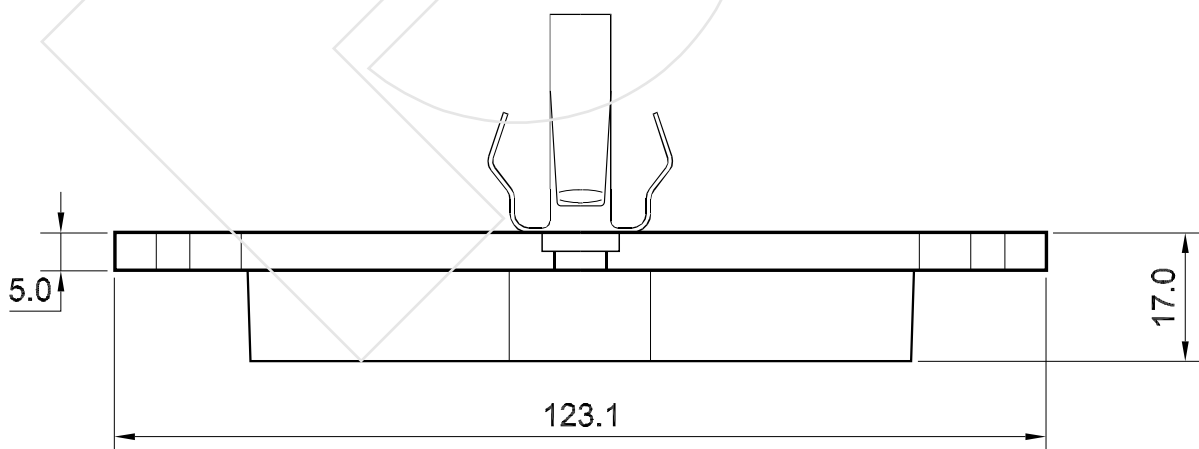
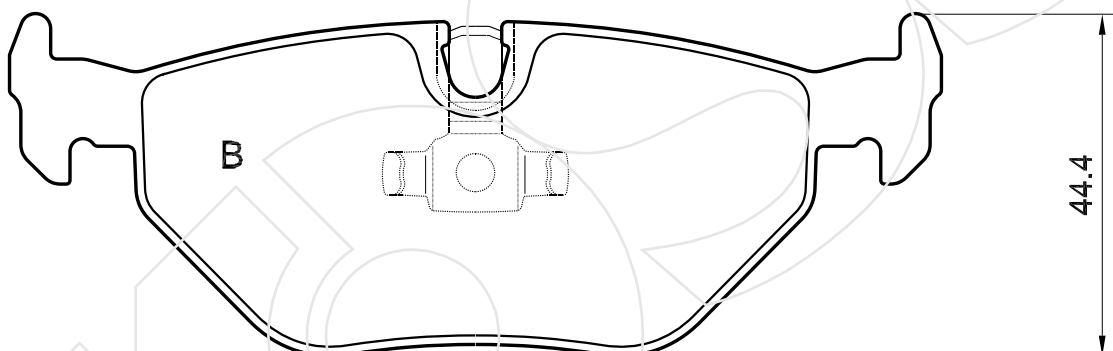
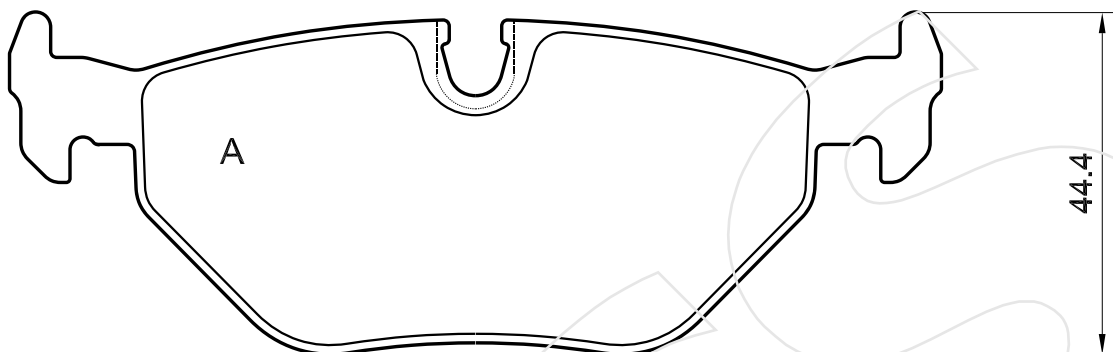
Reference in this Catalogue to other manufactures and to part numbers and other descriptions are for identification purposes only, because the above DISC BRAKE PADS are NOT ORIGINAL but with these interchangeable.

CODICE	IMPIANTO		ASSE	SCALA	APPLICAZIONI
<b>R-709</b>	ATE		ANTERIORE	1:1	MERCEDES
CODICE COMPONENTI	N°	L(mm)	SERIE		
*	*	*	4 PEZZI		
*	*	*	*		
*	*	*	*		
CODICE ACCESSORI	N°	L(mm)	NOTE		
*	*	*	*		
*	*	*	*		
*	*	*	*		
*	*	*	*		



Reference in this Catalogue to other manufactures and to part numbers and other descriptions are for identification purposes only, because the above DISC BRAKE PADS are NOT ORIGINAL but with these interchangeable.

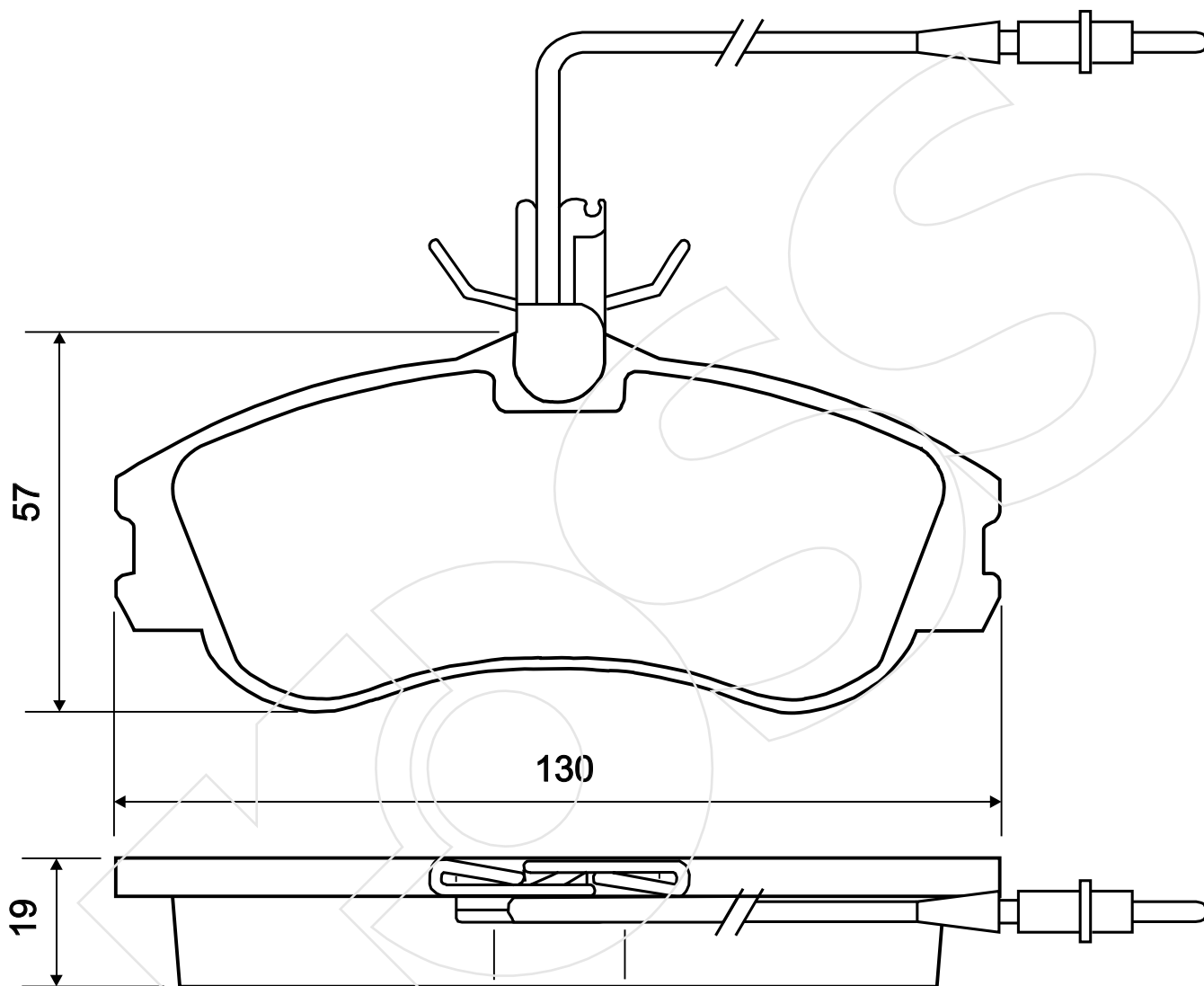
CODICE	IMPIANTO		ASSE	SCALA	APPLICAZIONI
<b>R-710</b>	ATE		POSTERIORE	1:1	BMW
CODICE COMPONENTI	N°	L(mm)	SERIE		
*	*	*	2 PEZZI TIPO A		
M0175	2		2 PEZZI TIPO B		
*	*	*	*		
CODICE ACCESSORI	N°	L(mm)	NOTE		
*	*	*	*		
*	*	*	*		
*	*	*	*		
*	*	*	*		



Reference in this Catalogue to other manufactures and to part numbers and other descriptions are for identification purposes only, because the above DISC BRAKE PADS are NOT ORIGINAL but with these interchangeable.

CODICE	IMPIANTO		ASSE	SCALA	APPLICAZIONI
<b>R-711</b>	GIRLING		ANTERIORE	1:1	CITROEN
CODICE COMPONENTI	N°	L(mm)	SERIE		
M0015+F3074	4+4	260	4 PEZZI		
*	*		*		
*	*		*		
CODICE ACCESSORI	N°	L(mm)	NOTE		
*	*		*		
*	*		*		
*	*		*		
*	*		*		

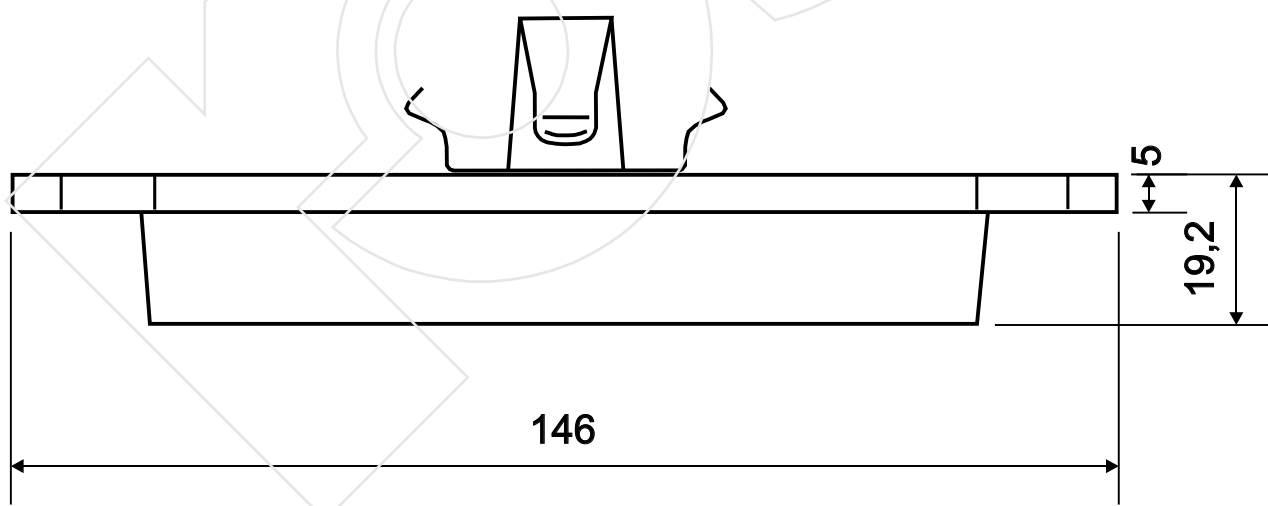
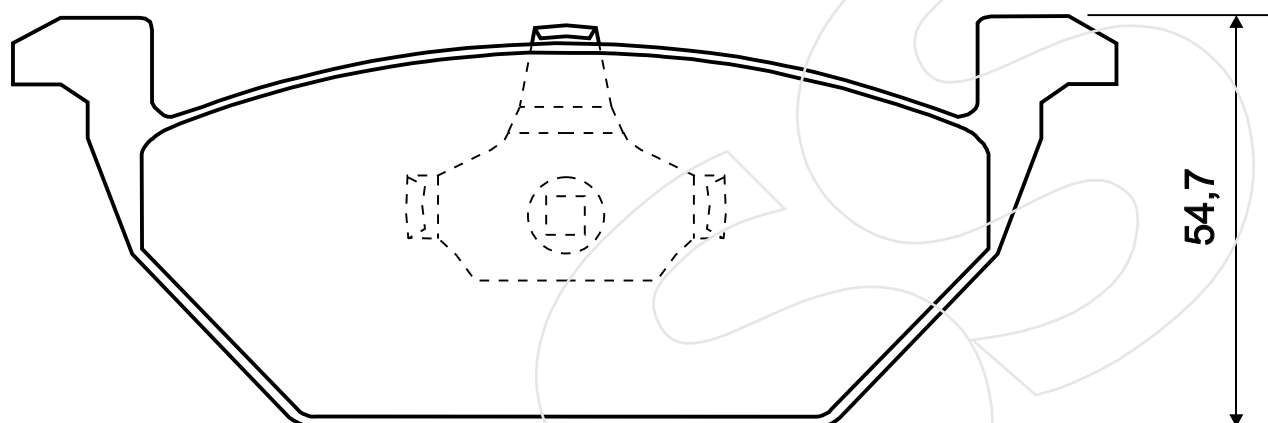
PEUGEOT



Reference in this Catalogue to other manufactures and to part numbers and other descriptions are for identification purposes only, because the above DISC BRAKE PADS are NOT ORIGINAL but with these interchangeable.

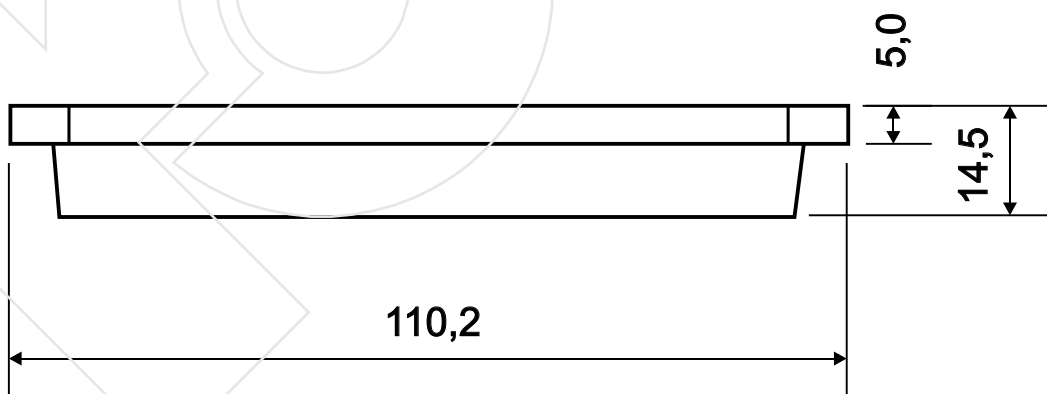
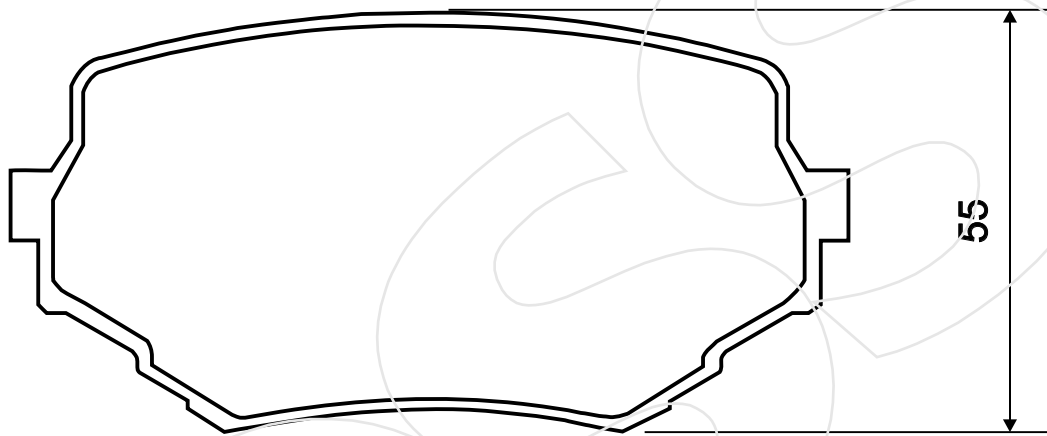


CODICE	IMPIANTO		ASSE	SCALA	APPLICAZIONI
<b>R-712</b>	ATE		ANTERIORE	1:1	AUDI
CODICE COMPONENTI	N°	L(mm)	SERIE		
M0128	4	*	4 PEZZI		
*	*	*	*		
CODICE ACCESSORI	N°	L(mm)	NOTE		
A0025	4	*	*		
*	*	*	*		
*	*	*	*		
*	*	*	*		



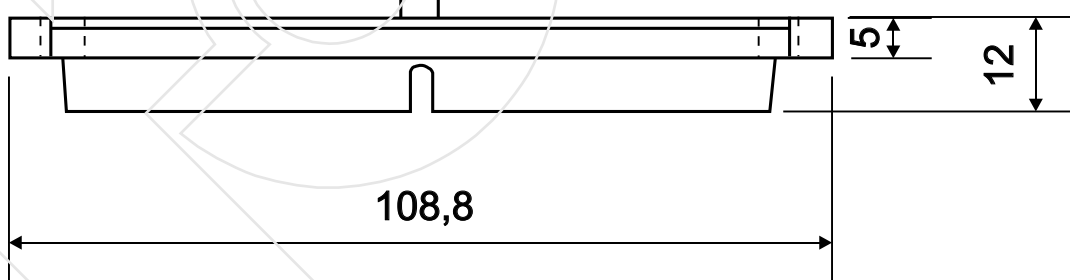
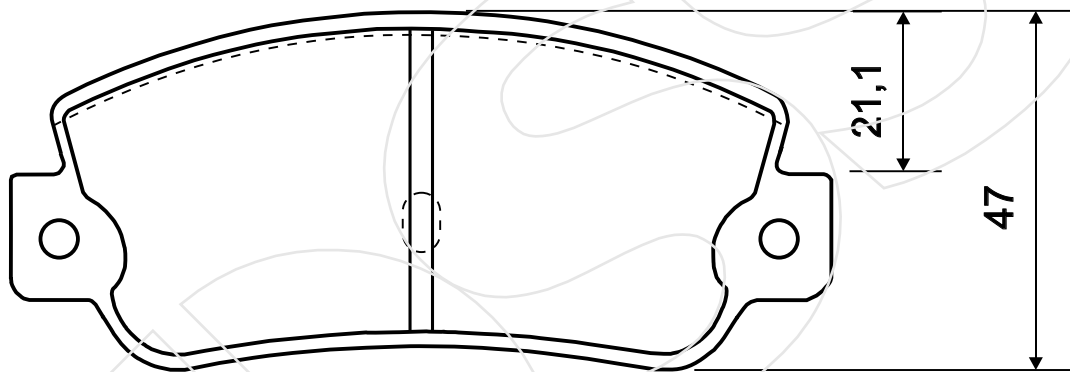
Reference in this Catalogue to other manufactures and to part numbers and other descriptions are for identification purposes only, because the above DISC BRAKE PADS are NOT ORIGINAL but with these interchangeable.

CODICE	IMPIANTO		ASSE	SCALA	APPLICAZIONI
<b>R-713</b>	SUMITOMO		ANTERIORE	1:1	SUZUKI
CODICE COMPONENTI	N°	L(mm)	SERIE		
*	*	*	4 PEZZI		
*	*	*			
*	*	*			
CODICE ACCESSORI	N°	L(mm)	NOTE		
*	*	*			
*	*	*			
*	*	*			
*	*	*			



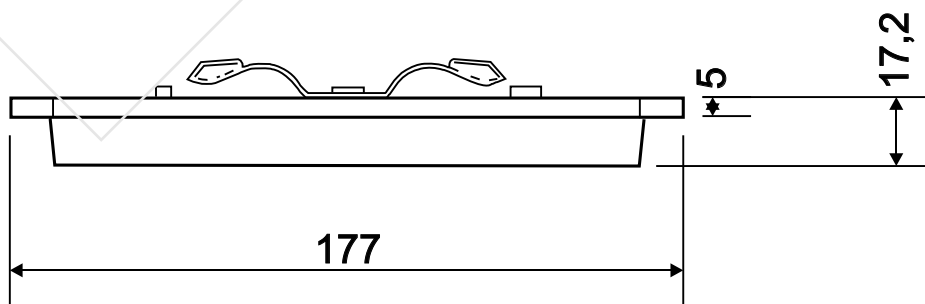
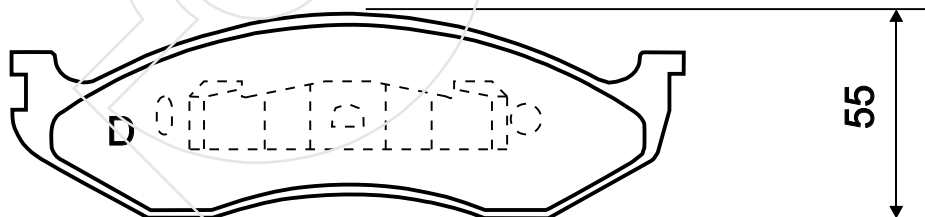
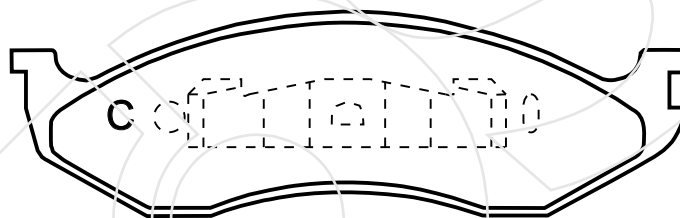
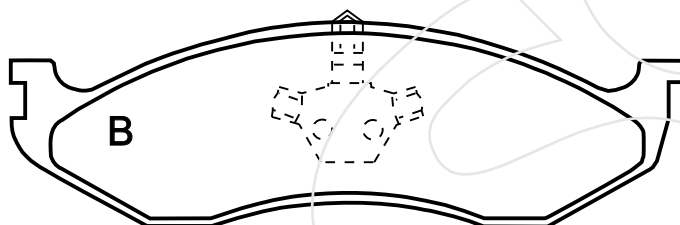
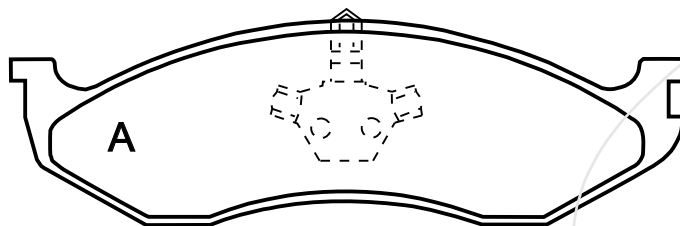
Reference in this Catalogue to other manufactures and to part numbers and other descriptions are for identification purposes only, because the above DISC BRAKE PADS are NOT ORIGINAL but with these interchangeable.

CODICE	IMPIANTO		ASSE	SCALA	APPLICAZIONI
<b>R-714</b>	BENDIX		POSTERIORE	1:1	LANCIA
CODICE COMPONENTI	N°	L(mm)	SERIE		
*	*	*	4 PEZZI		
*	*	*	*		
*	*	*	*		
CODICE ACCESSORI	N°	L(mm)	NOTE		
*	*	*	*		
*	*	*	*		
*	*	*	*		
*	*	*	*		



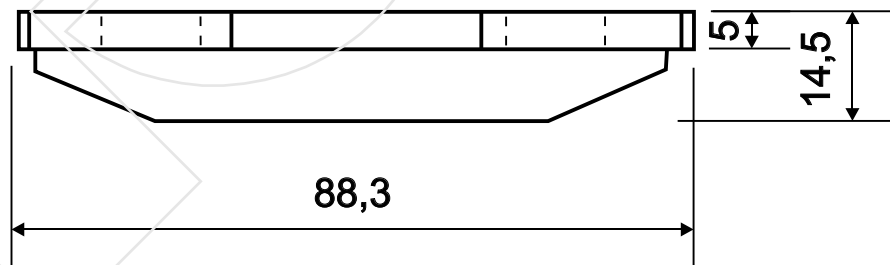
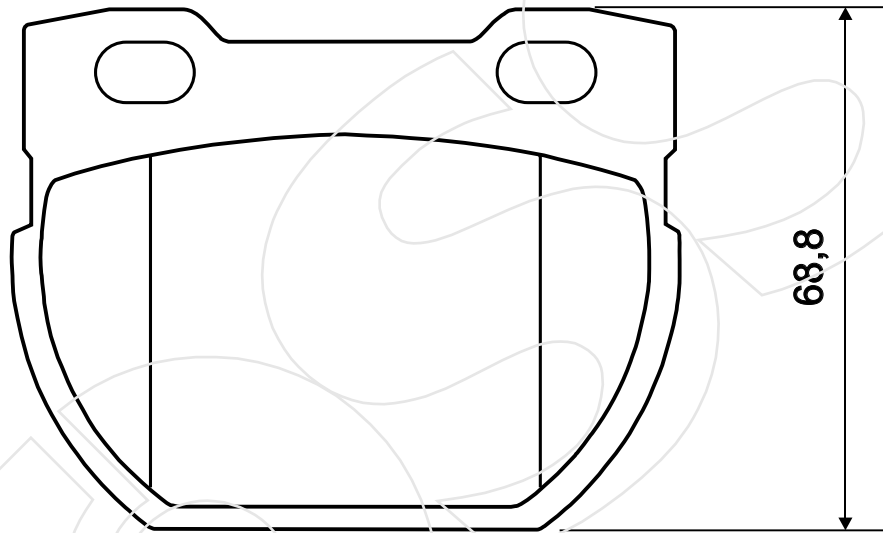
Reference in this Catalogue to other manufactures and to part numbers and other descriptions are for identification purposes only, because the above DISC BRAKE PADS are NOT ORIGINAL but with these interchangeable.

CODICE	IMPIANTO		ASSE	SCALA	APPLICAZIONI
<b>R-715</b>	KELSEY-HAYES		ANTERIORE	1:2	JEEP
CODICE COMPONENTI	N°	L(mm)	SERIE		
M0181	1		1 PEZZO TIPO A		
M0181	1		1 PEZZO TIPO B		
M0182	1		1 PEZZO TIPO C		
M0182	1		1 PEZZO TIPO D		
CODICE ACCESSORI	N°	L(mm)	NOTE		
*	*		*		
*	*		*		
*	*		*		
*	*		*		



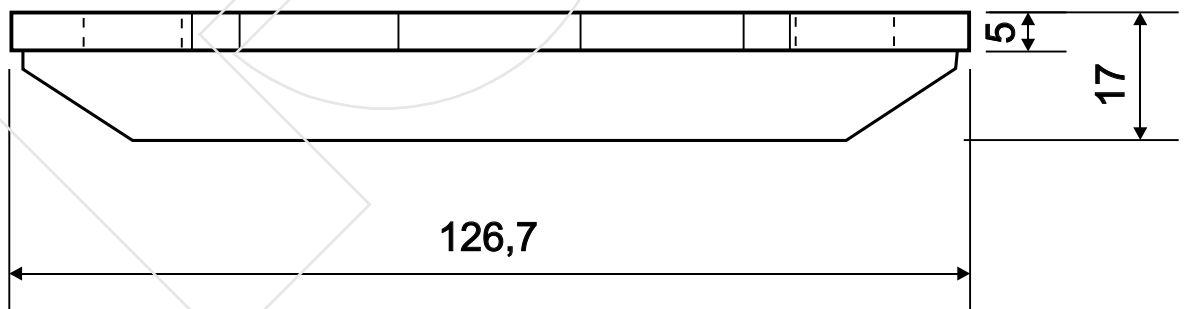
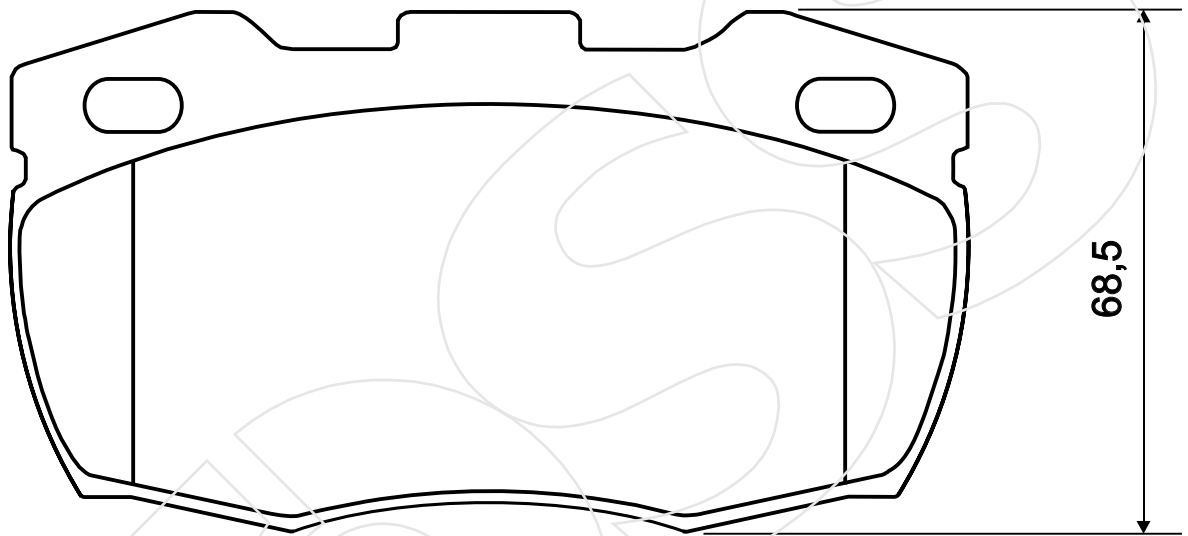
Reference in this Catalogue to other manufactures and to part numbers and other descriptions are for identification purposes only, because the above DISC BRAKE PADS are NOT ORIGINAL but with these interchangeable.

CODICE	IMPIANTO		ASSE	SCALA	APPLICAZIONI
<b>R-716</b>	LOCKHEED		POSTERIORE	1:1	LAND ROVER
CODICE COMPONENTI	N°	L(mm)	SERIE		
*	*	*	4 PEZZI		
*	*				
*	*				
CODICE ACCESSORI	N°	L(mm)	NOTE		
*	*				
*	*				
*	*				
*	*				



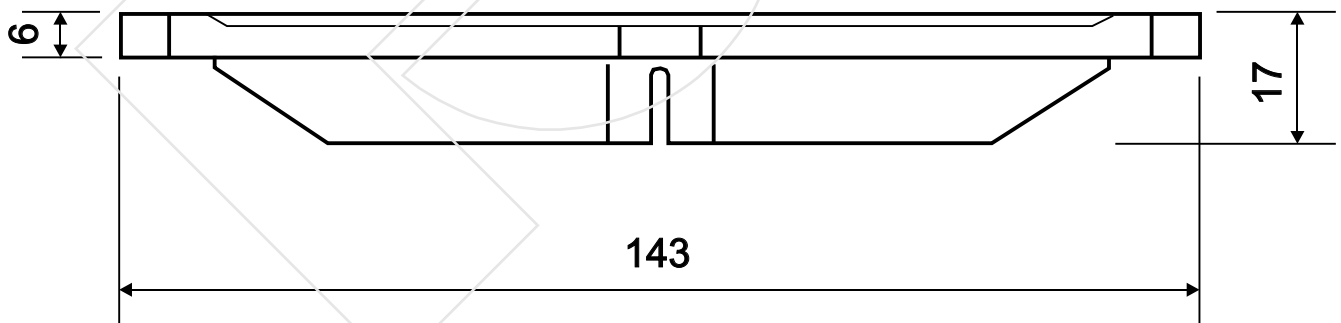
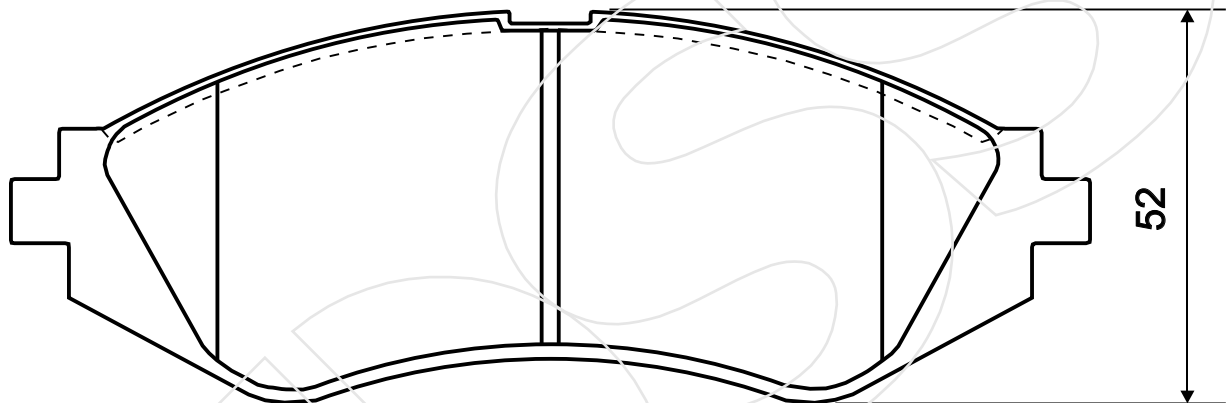
Reference in this Catalogue to other manufactures and to part numbers and other descriptions are for identification purposes only, because the above DISC BRAKE PADS are NOT ORIGINAL but with these interchangeable.

CODICE	IMPIANTO		ASSE	SCALA	APPLICAZIONI
<b>R-717</b>	LOCKHEED		ANTERIORE	1:1	LAND ROVER
CODICE COMPONENTI	N°	L(mm)	SERIE		
*	*	*	4 PEZZI		
*	*				
*	*				
CODICE ACCESSORI	N°	L(mm)	NOTE		
*	*				
*	*				
*	*				
*	*				



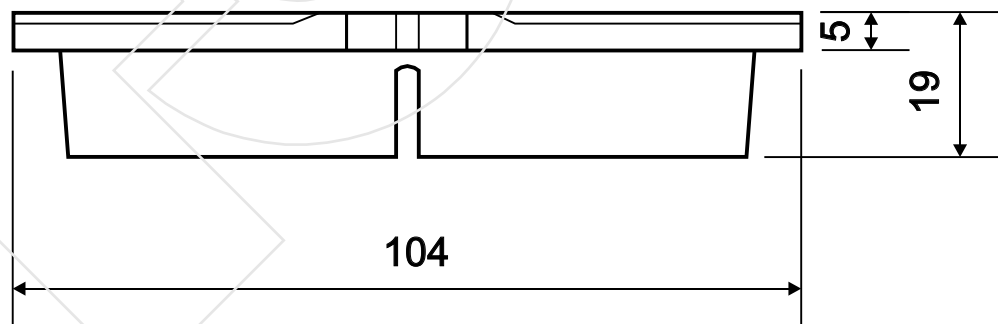
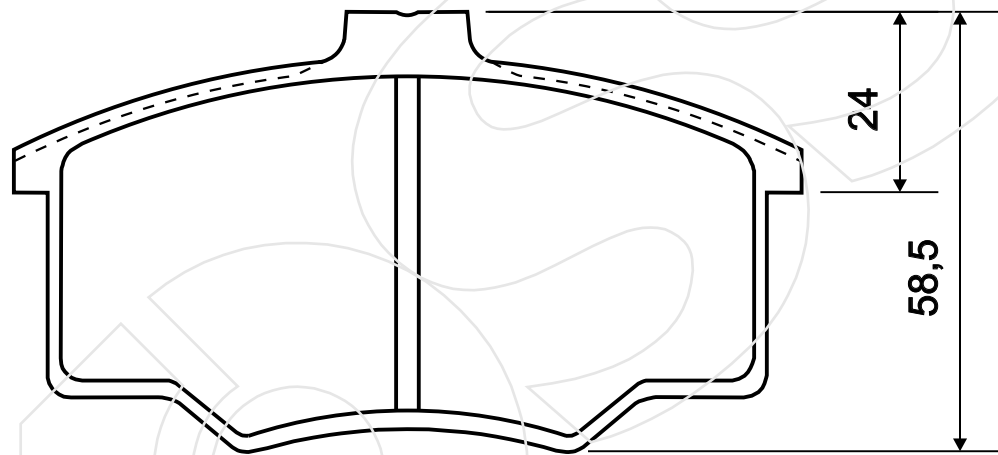
Reference in this Catalogue to other manufactures and to part numbers and other descriptions are for identification purposes only, because the above DISC BRAKE PADS are NOT ORIGINAL but with these interchangeable.

CODICE	IMPIANTO		ASSE	SCALA	APPLICAZIONI
<b>R-718</b>			ANTERIORE	1:1	DAEWOO
CODICE COMPONENTI	N°	L(mm)	SERIE		
*	*	*	4 PEZZI CON SMUSSI		
*	*		*		
*	*		*		
CODICE ACCESSORI	N°	L(mm)	NOTE		
*	*		*		
*	*		*		
*	*		*		
*	*		*		



Reference in this Catalogue to other manufactures and to part numbers and other descriptions are for identification purposes only, because the above DISC BRAKE PADS are NOT ORIGINAL but with these interchangeable.

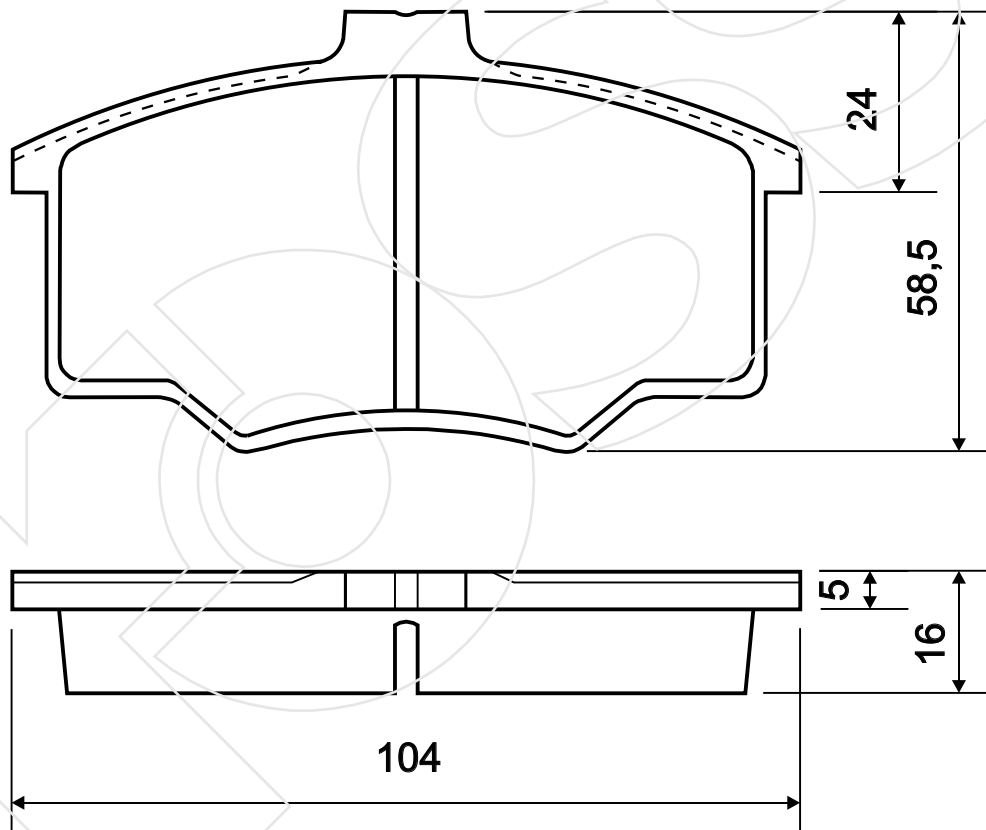
CODICE	IMPIANTO		ASSE	SCALA	APPLICAZIONI	
<b>R-719</b>			ANTERIORE	1:1	FIAT	CILE - BRASILE
CODICE COMPONENTI	N°	L(mm)	SERIE			
*	*	*	4 PEZZI			
*	*					
*	*					
CODICE ACCESSORI	N°	L(mm)	NOTE			
*	*					
*	*					
*	*					
*	*					



Reference in this Catalogue to other manufactures and to part numbers and other descriptions are for identification purposes only, because the above DISC BRAKE PADS are NOT ORIGINAL but with these interchangeable.

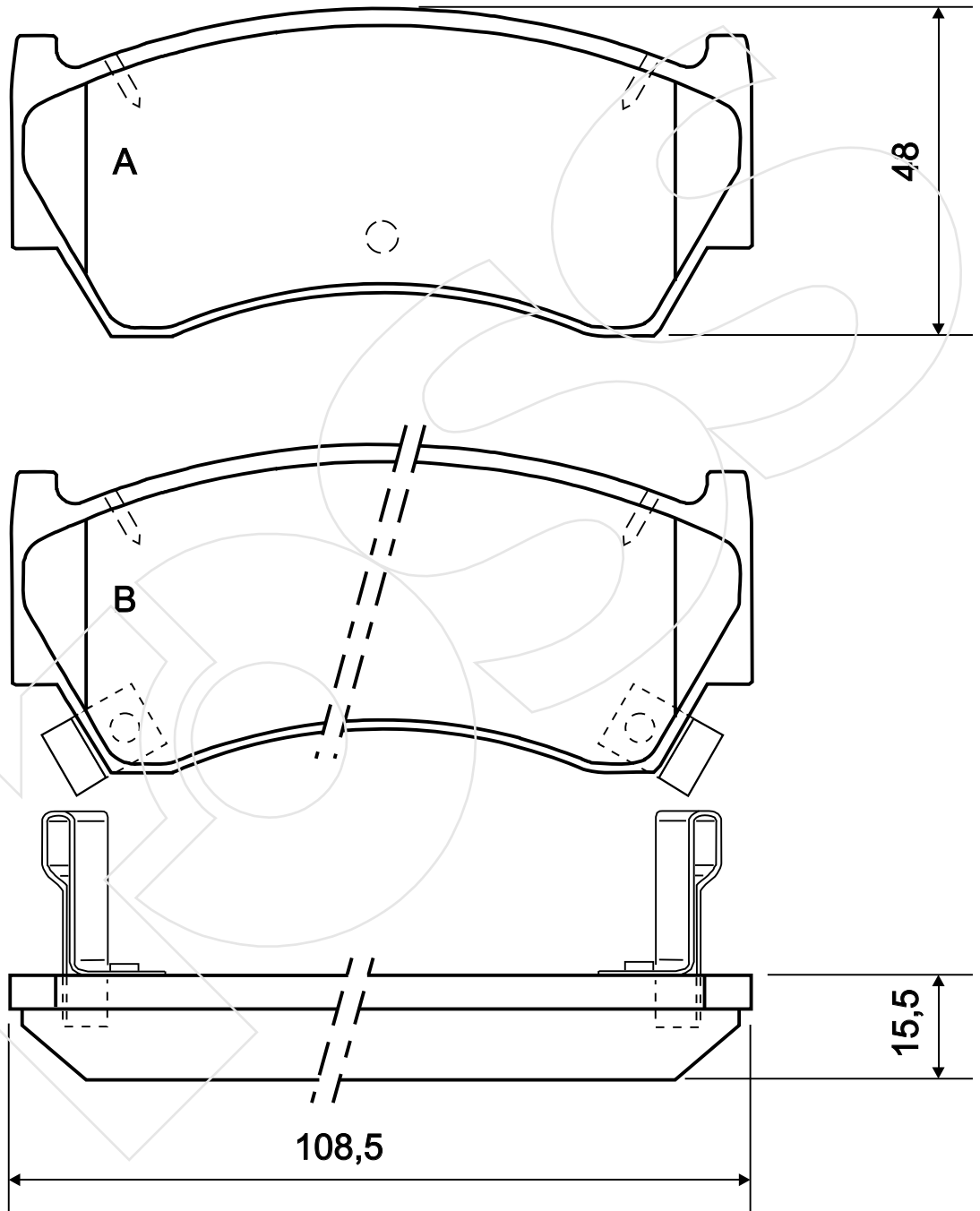


CODICE	IMPIANTO		ASSE	SCALA	APPLICAZIONI	
<b>R-720</b>			ANTERIORE	1:1	FIAT	CILE - BRASILE
CODICE COMPONENTI	N°	L(mm)	SERIE			
*	*	*	4 PEZZI			
*	*					
*	*					
CODICE ACCESSORI	N°	L(mm)	NOTE			
*	*					
*	*					
*	*					
*	*					



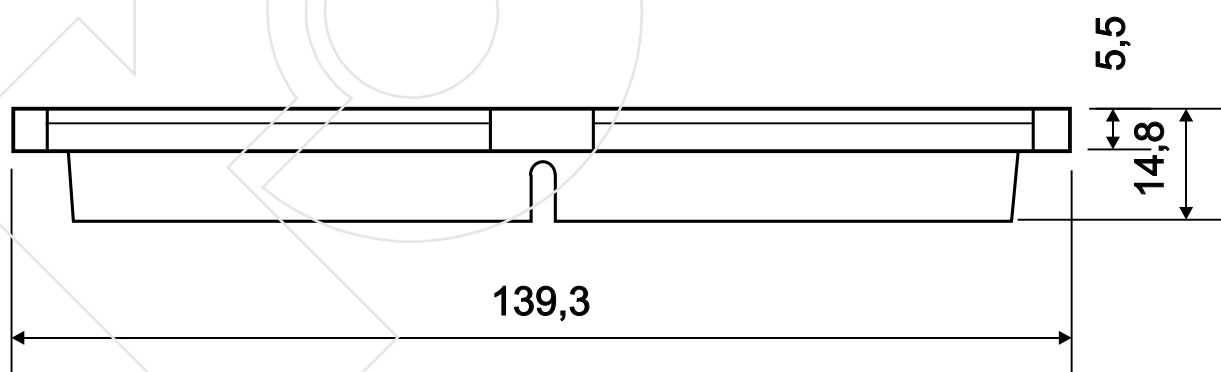
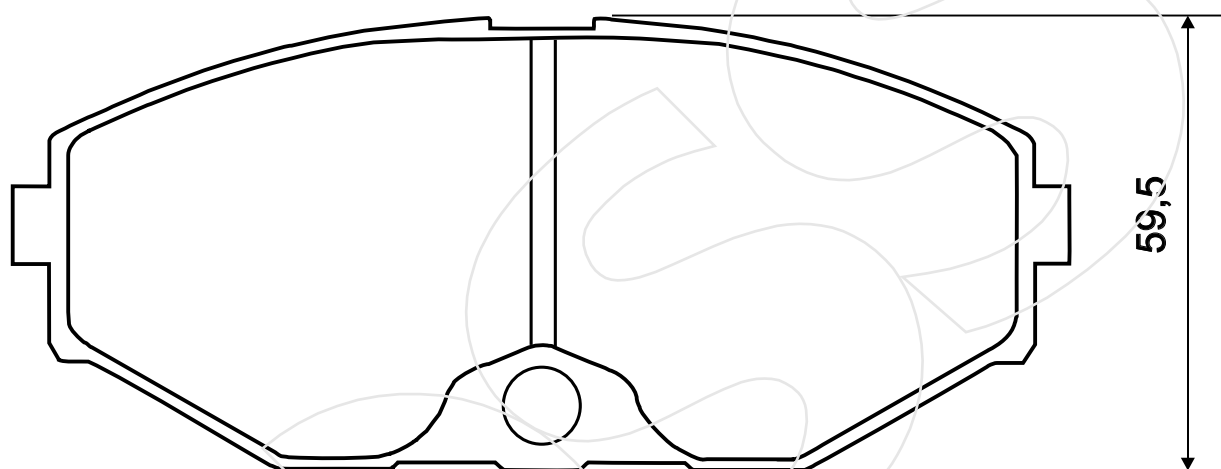
Reference in this Catalogue to other manufactures and to part numbers and other descriptions are for identification purposes only, because the above DISC BRAKE PADS are NOT ORIGINAL but with these interchangeable.

CODICE	IMPIANTO		ASSE	SCALA	APPLICAZIONI
<b>R-721</b>	SUMIMOTO		ANTERIORE	1:1	NISSAN
CODICE COMPONENTI	N°	L(mm)	SERIE		
*	*	*	2 PEZZI TIPO A		
M0036	2		1 PEZZO TIPO B DX		
*	*		1 PEZZO TIPO B SX		
CODICE ACCESSORI	N°	L(mm)	NOTE		
*	*		*		
*	*		*		
*	*		*		
*	*		*		



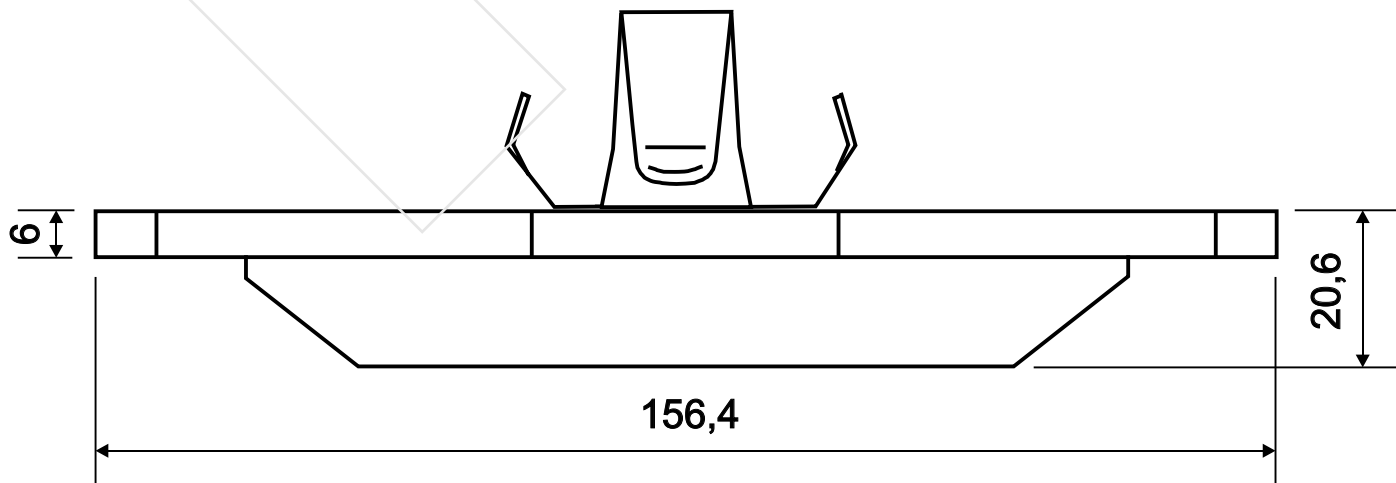
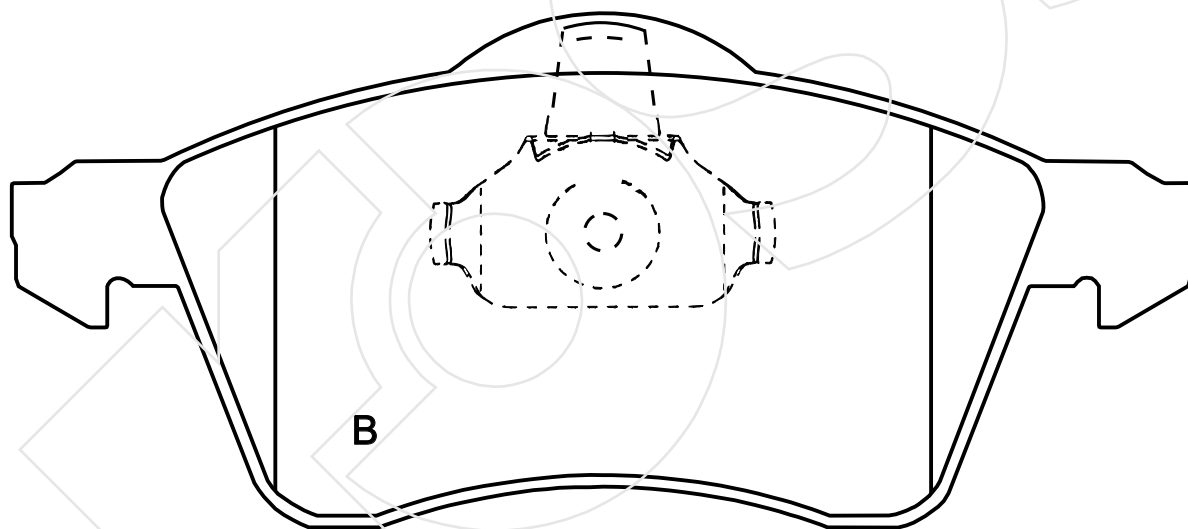
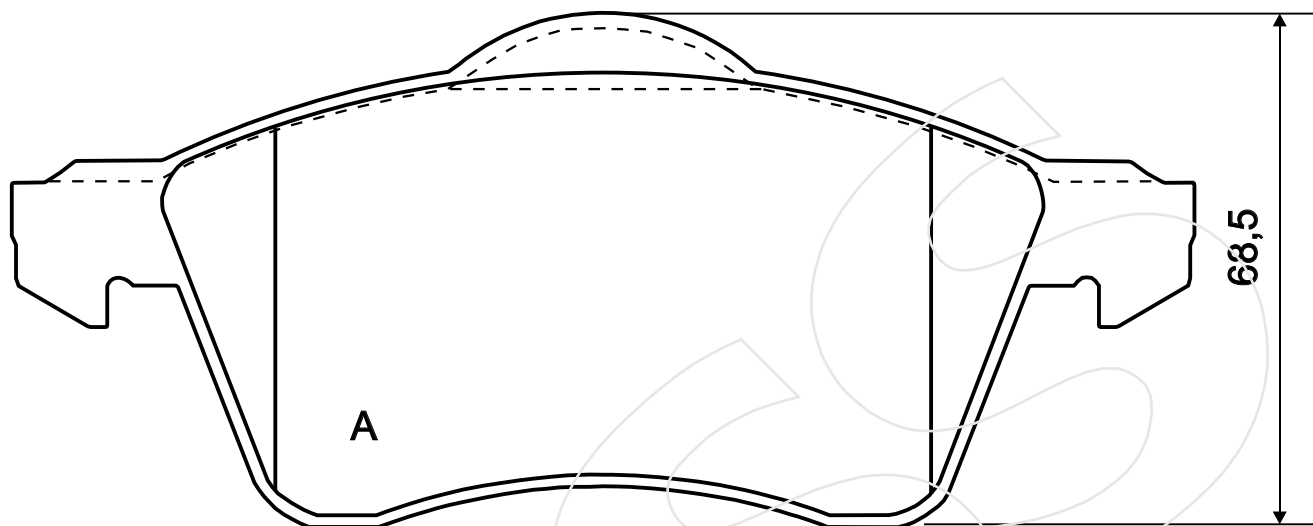
Reference in this Catalogue to other manufactures and to part numbers and other descriptions are for identification purposes only, because the above DISC BRAKE PADS are NOT ORIGINAL but with these interchangeable.

CODICE	IMPIANTO		ASSE	SCALA	APPLICAZIONI
<b>R-722</b>	AKEBONO		ANTERIORE	1:1	NISSAN
CODICE COMPONENTI	N°	L(mm)	SERIE		
*	*	*	4 PEZZI		
*	*				
*	*				
CODICE ACCESSORI	N°	L(mm)	NOTE		
*	*		*		
*	*		*		
*	*		*		
*	*		*		



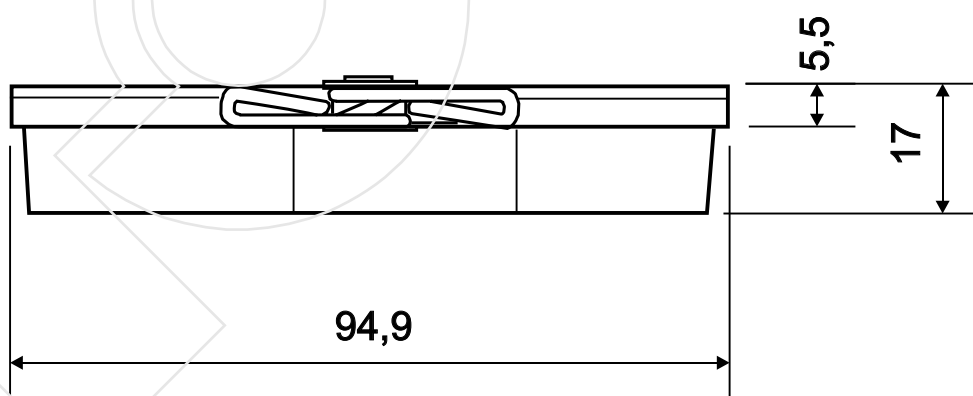
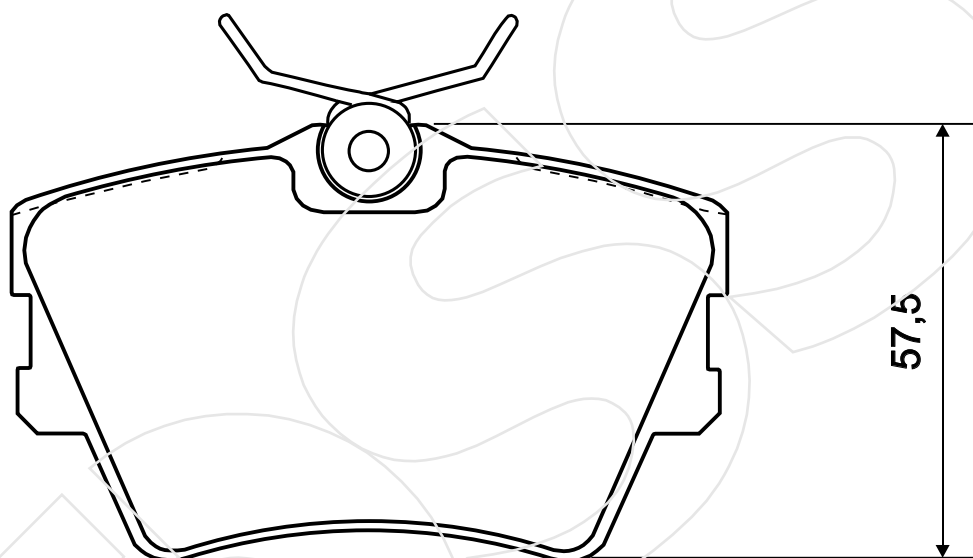
Reference in this Catalogue to other manufactures and to part numbers and other descriptions are for identification purposes only, because the above DISC BRAKE PADS are NOT ORIGINAL but with these interchangeable.

CODICE	IMPIANTO		ASSE	SCALA	APPLICAZIONI
<b>R-723</b>	ATE		ANTERIORE	1:1	VOLKSWAGEN
CODICE COMPONENTI	N°	L(mm)	SERIE		
*	*	*	2 PEZZI TIPO A		
M0132	2		2 PEZZI TIPO B		
*	*				
CODICE ACCESSORI	N°	L(mm)	NOTE		
*	*		*		
*	*		*		
*	*		*		
*	*		*		



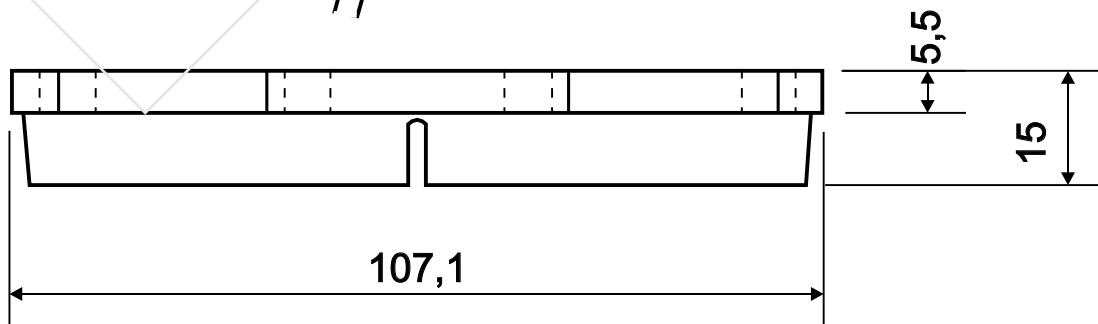
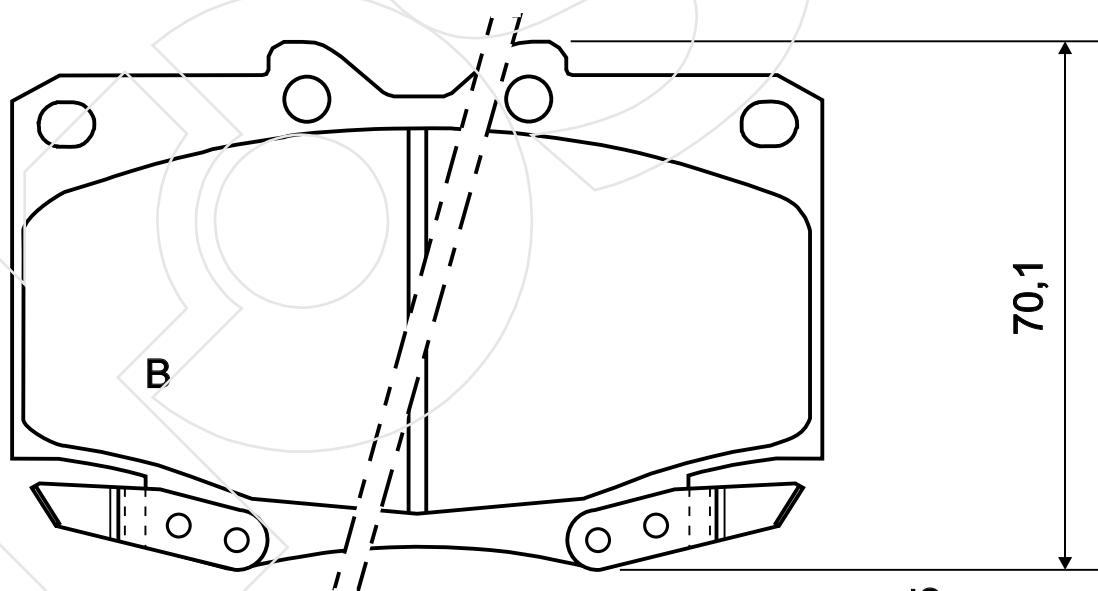
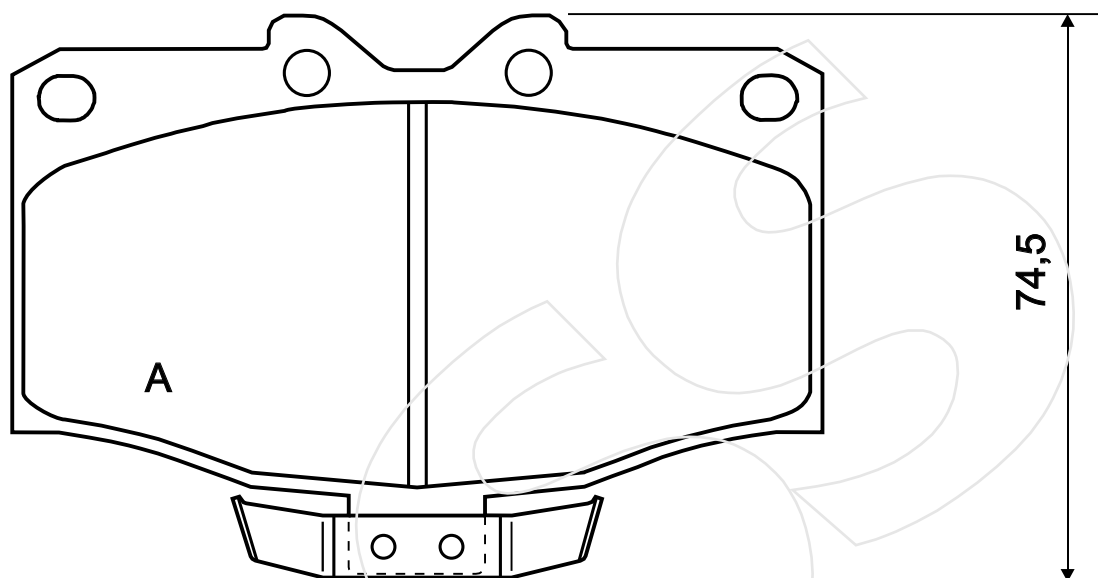
Reference in this Catalogue to other manufactures and to part numbers and other descriptions are for identification purposes only, because the above DISC BRAKE PADS are NOT ORIGINAL but with these interchangeable.

CODICE	IMPIANTO		ASSE	SCALA	APPLICAZIONI
<b>R-724</b>	GIRLING		POSTERIORE	1:1	VOLKSWAGEN
CODICE COMPONENTI	N°	L(mm)	SERIE		
M0015+P1004	4+4	*	4 PEZZI		
*	*				
*	*				
CODICE ACCESSORI	N°	L(mm)	NOTE		
*	*				
*	*				
*	*				
*	*				



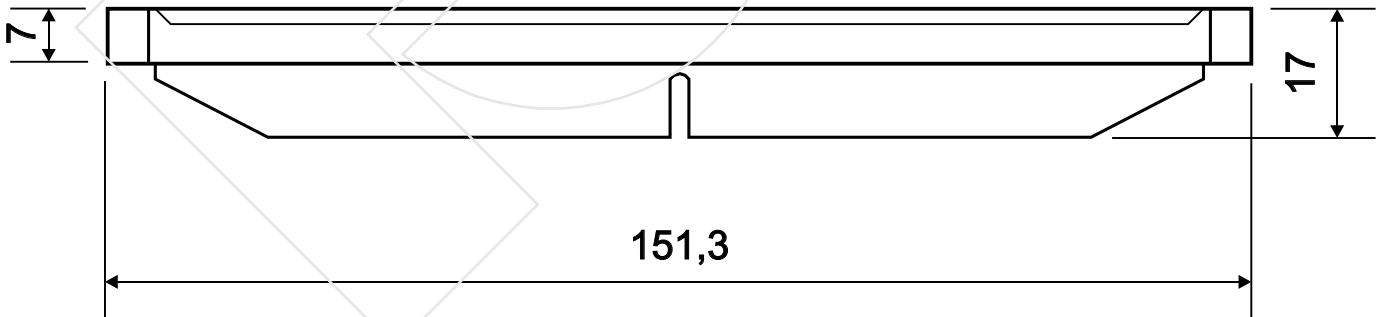
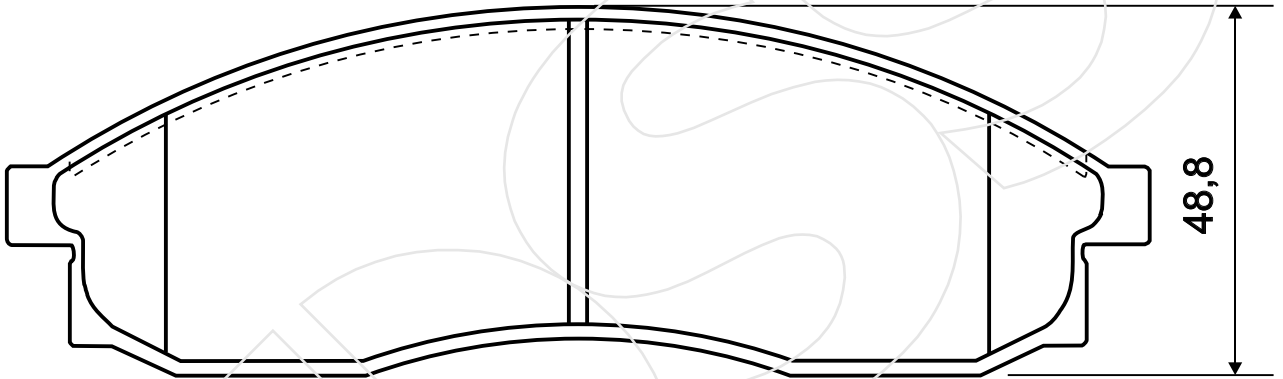
Reference in this Catalogue to other manufactures and to part numbers and other descriptions are for identification purposes only, because the above DISC BRAKE PADS are NOT ORIGINAL but with these interchangeable.

CODICE	IMPIANTO	ASSE	SCALA	APPLICAZIONI
<b>R-725</b>	SUMITOMO	ANTERIORE	1:1	TOYOTA
CODICE COMPONENTI	N°	L(mm)	SERIE	
M0078	2	*	2 PEZZI TIPO A	
M0079	1		1 PEZZO TIPO B CON MOLLA A DX	
M0080	1		1 PEZZO TIPO B CON MOLLA A SX	
CODICE ACCESSORI	N°	L(mm)	NOTE	
*	*		*	
*	*		*	
*	*		*	
*	*		*	



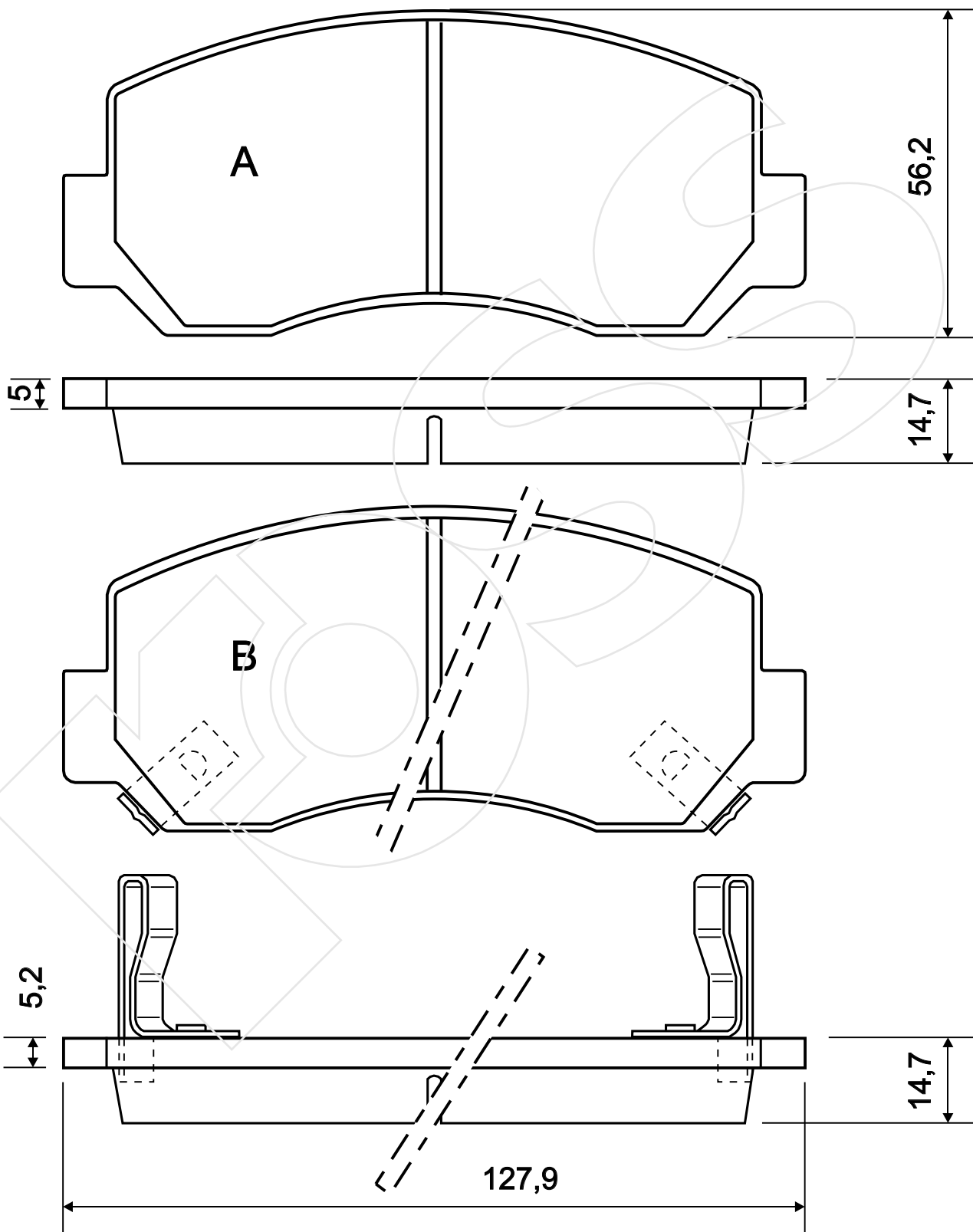
Reference in this Catalogue to other manufactures and to part numbers and other descriptions are for identification purposes only, because the above DISC BRAKE PADS are NOT ORIGINAL but with these interchangeable.

CODICE	IMPIANTO		ASSE	SCALA	APPLICAZIONI
<b>R-726</b>	SUMITOMO		ANTERIORE	1:1	NISSAN
CODICE COMPONENTI	N°	L(mm)	SERIE		
*	*	*	4 PEZZI		
*	*				
*	*				
CODICE ACCESSORI	N°	L(mm)	NOTE		
*	*	*			
*	*	*			
*	*	*			
*	*	*			



Reference in this Catalogue to other manufactures and to part numbers and other descriptions are for identification purposes only, because the above DISC BRAKE PADS are NOT ORIGINAL but with these interchangeable.

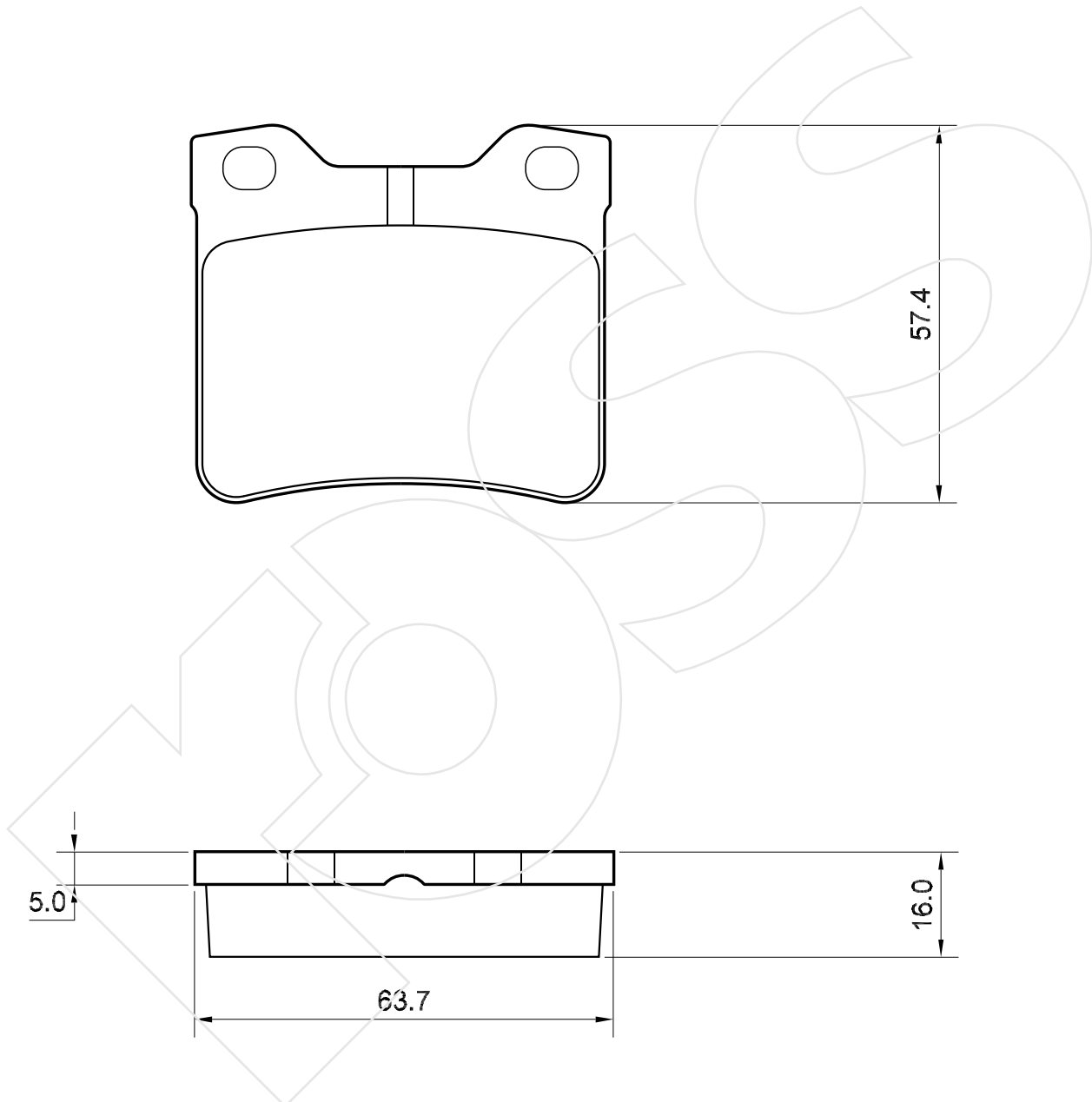
CODICE	IMPIANTO		ASSE	SCALA	APPLICAZIONI
<b>R-727</b>	SUMITOMO		ANTERIORE	1:1	ASIA MOTORS
CODICE COMPONENTI	N°	L(mm)	SERIE		
*	*	*	2 PEZZI TIPO A		
M0070	2		2 PEZZI TIPO B		
*	*				
CODICE ACCESSORI	N°	L(mm)	NOTE		
*	*		*		
*	*		*		
*	*		*		
*	*		*		



Reference in this Catalogue to other manufactures and to part numbers and other descriptions are for identification purposes only, because the above DISC BRAKE PADS are NOT ORIGINAL but with these interchangeable.

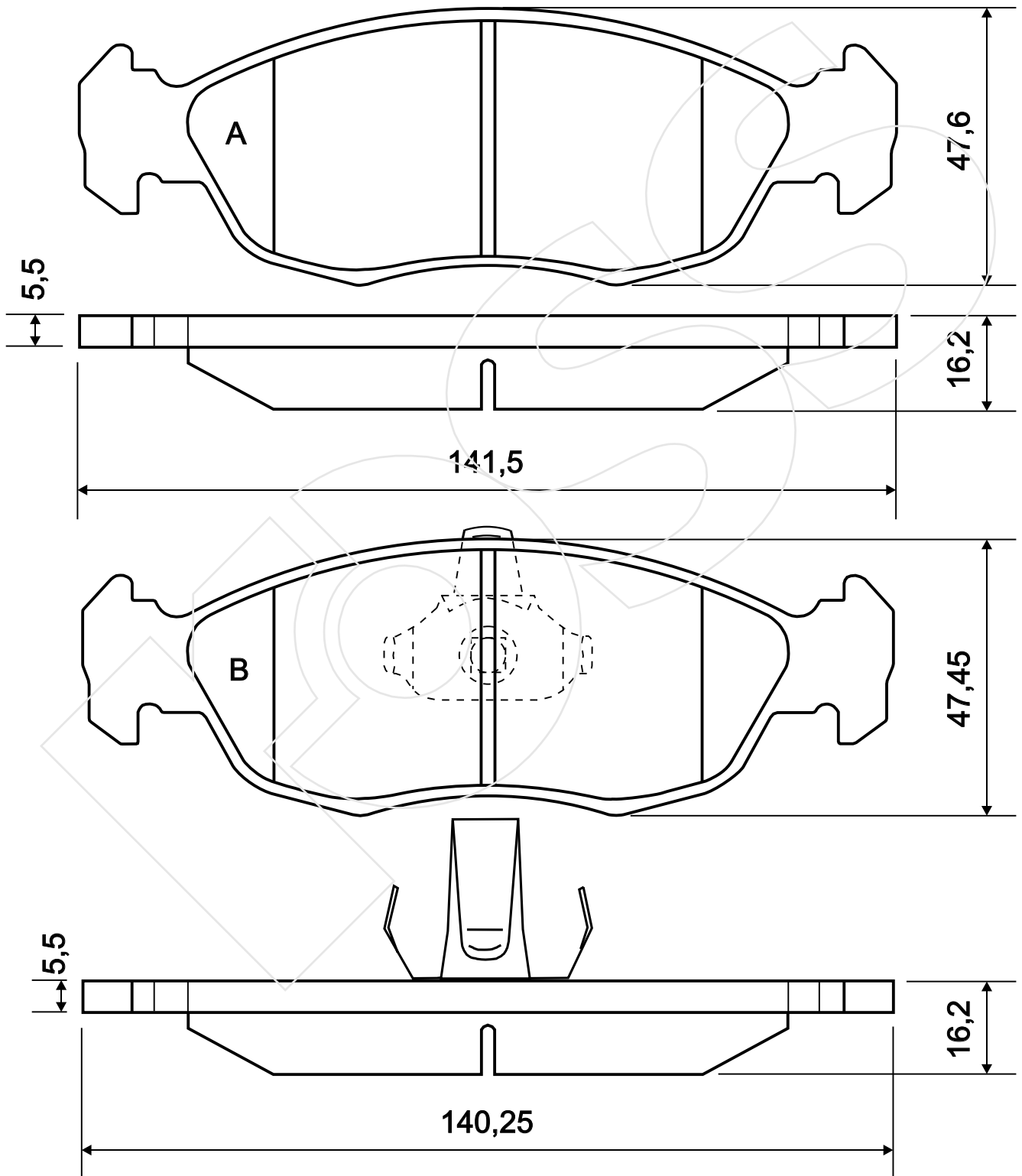


CODICE	IMPIANTO	ASSE	SCALA	APPLICAZIONI
<b>R-728</b>	ATE	POSTERIORE	1:1	PEUGEOT
CODICE COMPONENTI	N°	L(mm)	SERIE	
*	*	*	4 PEZZI	
*	*			
*	*			
CODICE ACCESSORI	N°	L(mm)	NOTE	
*	*			
*	*			
*	*			
*	*			



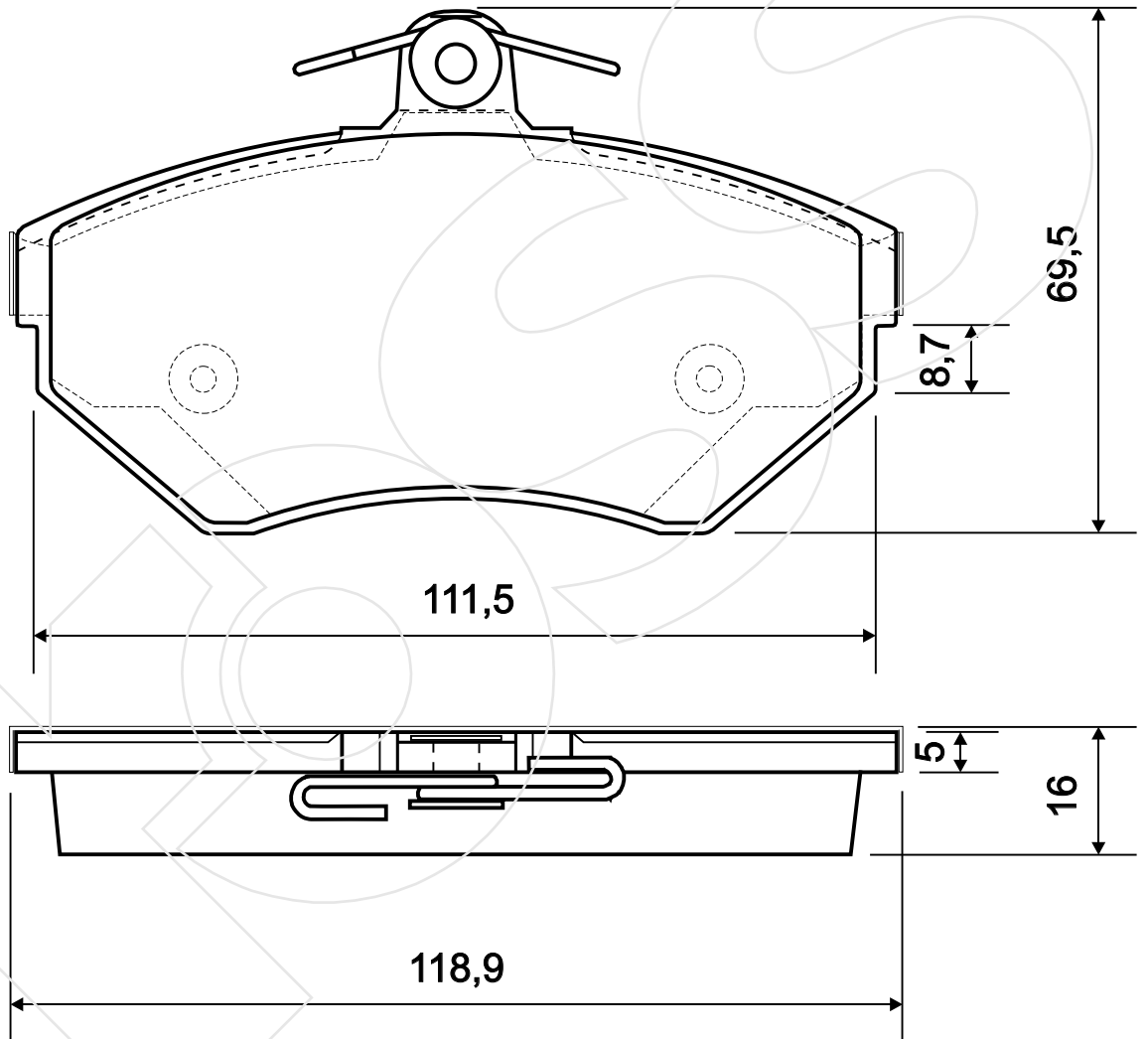
Reference in this Catalogue to other manufactures and to part numbers and other descriptions are for identification purposes only, because the above DISC BRAKE PADS are NOT ORIGINAL but with these interchangeable.

CODICE	IMPIANTO		ASSE	SCALA	APPLICAZIONI
<b>R-729</b>	ATE		ANTERIORE	1:1	PEUGEOT
CODICE COMPONENTI	N°	L(mm)	SERIE		
*	*	*	2 PEZZI TIPO (A)		
M0016	2		2 PEZZI TIPO (B)		
*	*				
CODICE ACCESSORI	N°	L(mm)	NOTE		
*	*		*		
*	*		*		
*	*		*		
*	*		*		



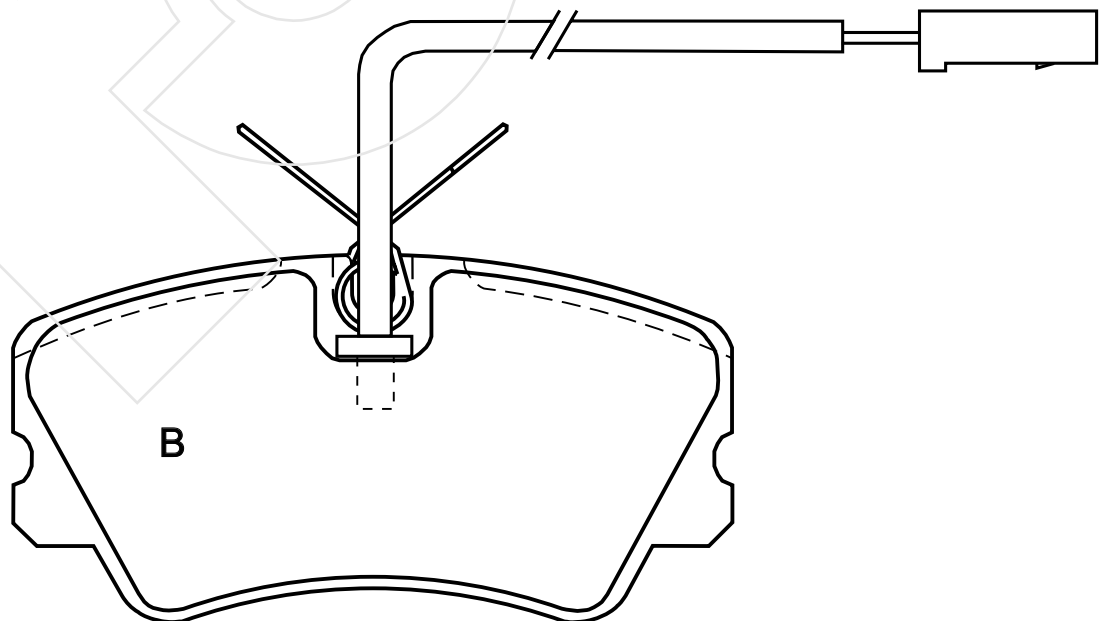
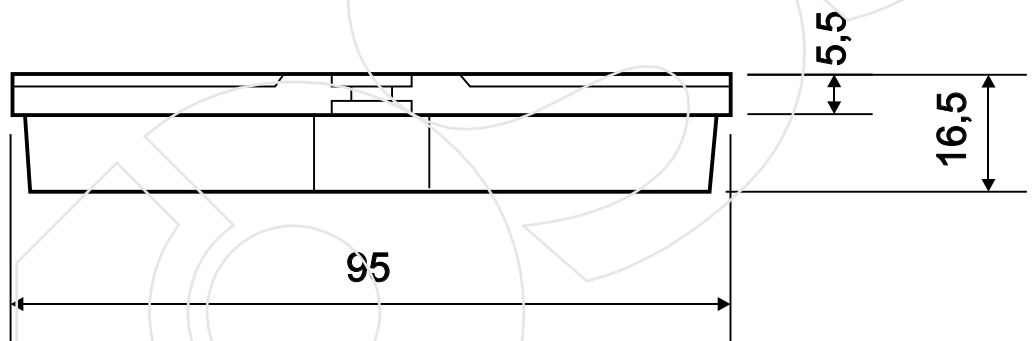
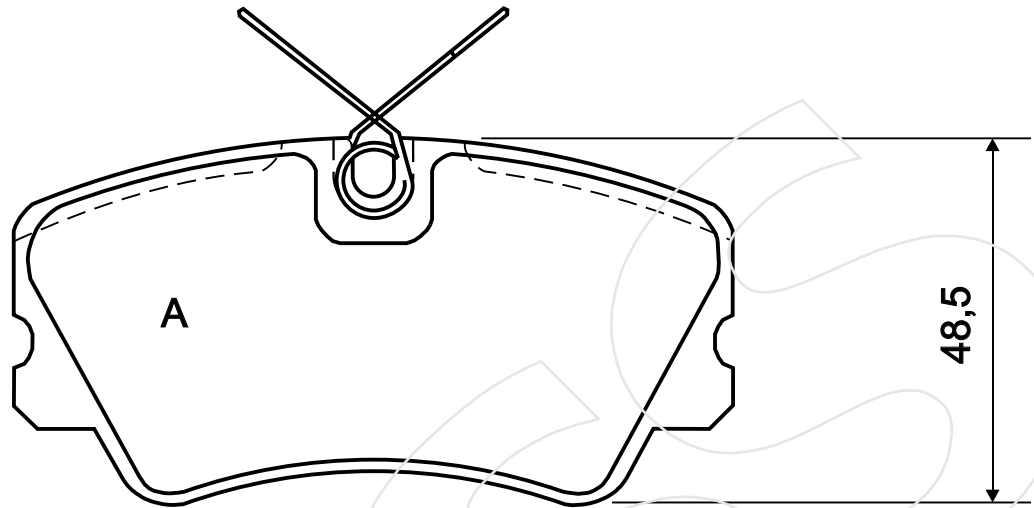
Reference in this Catalogue to other manufactures and to part numbers and other descriptions are for identification purposes only, because the above DISC BRAKE PADS are NOT ORIGINAL but with these interchangeable.

CODICE	IMPIANTO		ASSE	SCALA	APPLICAZIONI
<b>R-730</b>	GIRLING		ANTERIORE	1:1	VOLKSWAGEN
CODICE COMPONENTI	N°	L(mm)	SERIE		
M0013+P1012	4+4	*	4 PEZZI		
*	*				
*	*				
CODICE ACCESSORI	N°	L(mm)	NOTE		
*	*		*		
*	*		*		
*	*		*		
*	*		*		



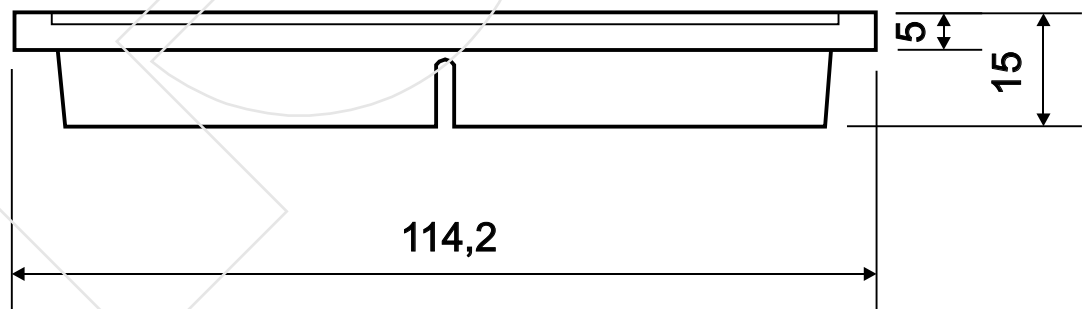
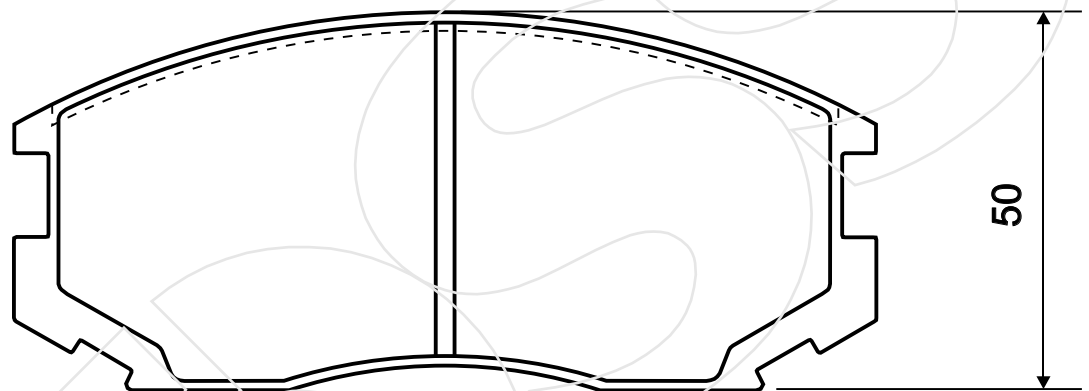
Reference in this Catalogue to other manufactures and to part numbers and other descriptions are for identification purposes only, because the above DISC BRAKE PADS are NOT ORIGINAL but with these interchangeable.

CODICE	IMPIANTO		ASSE	SCALA	APPLICAZIONI
<b>R-731</b>	ATE		ANTERIORE	1:1	ALFA ROMEO
CODICE COMPONENTI	N°	L(mm)	SERIE		
*	*		2 PEZZI TIPO A		
F3076	2	1010	2 PEZZI TIPO B		
KIT M0046	4				
CODICE ACCESSORI	N°	L(mm)	NOTE		
*	*		*		
*	*		*		
*	*		*		
*	*		*		



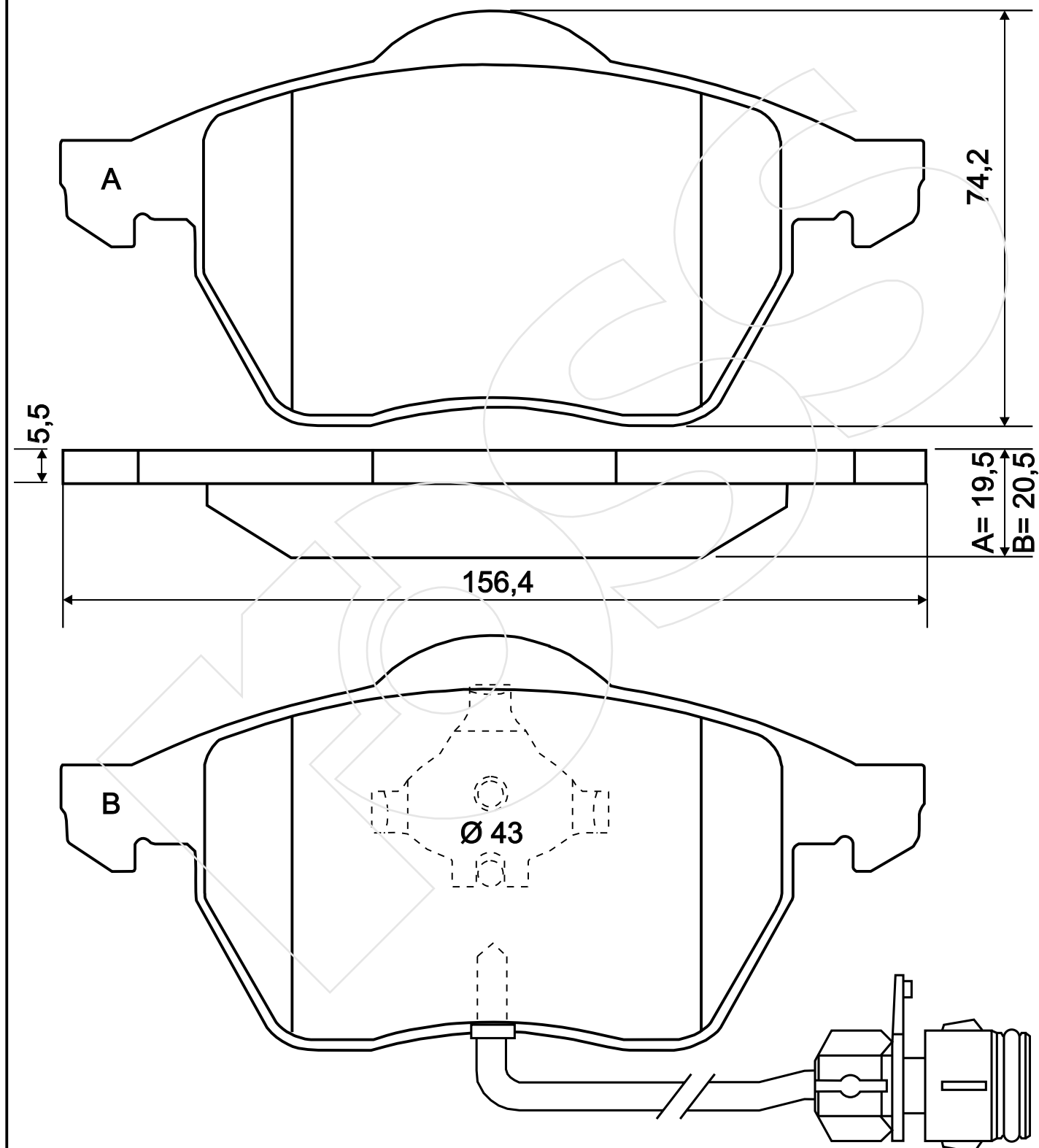
Reference in this Catalogue to other manufactures and to part numbers and other descriptions are for identification purposes only, because the above DISC BRAKE PADS are NOT ORIGINAL but with these interchangeable.

CODICE	IMPIANTO		ASSE	SCALA	APPLICAZIONI
<b>R-732</b>	SUMITOMO		ANTERIORE	1:1	MITSUBIUSHI
CODICE COMPONENTI	N°	L(mm)	SERIE		
*	*	*	4 PEZZI		
*	*				
*	*				
CODICE ACCESSORI	N°	L(mm)	NOTE		
*	*				
*	*				
*	*				
*	*				



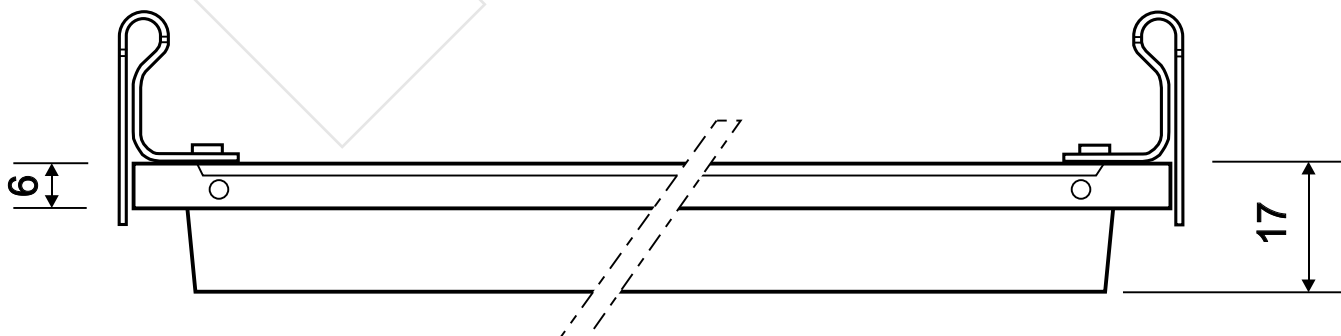
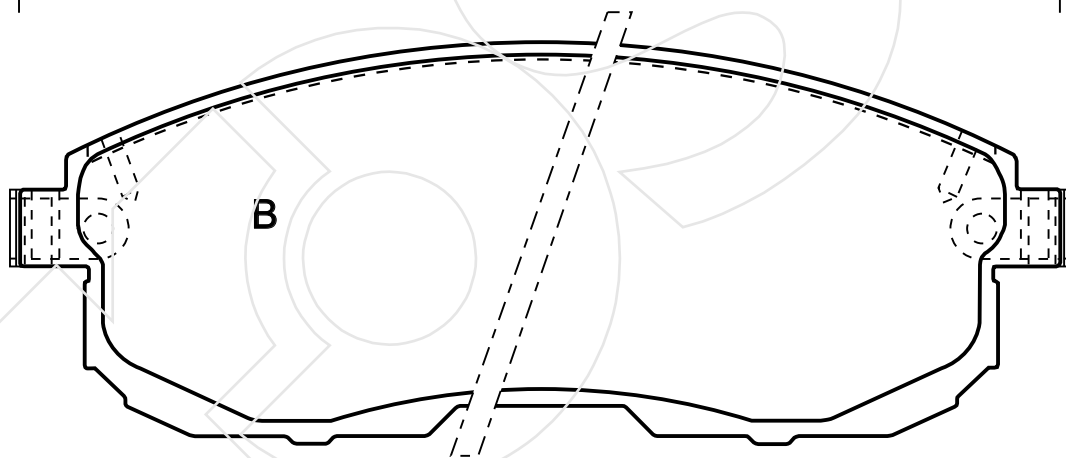
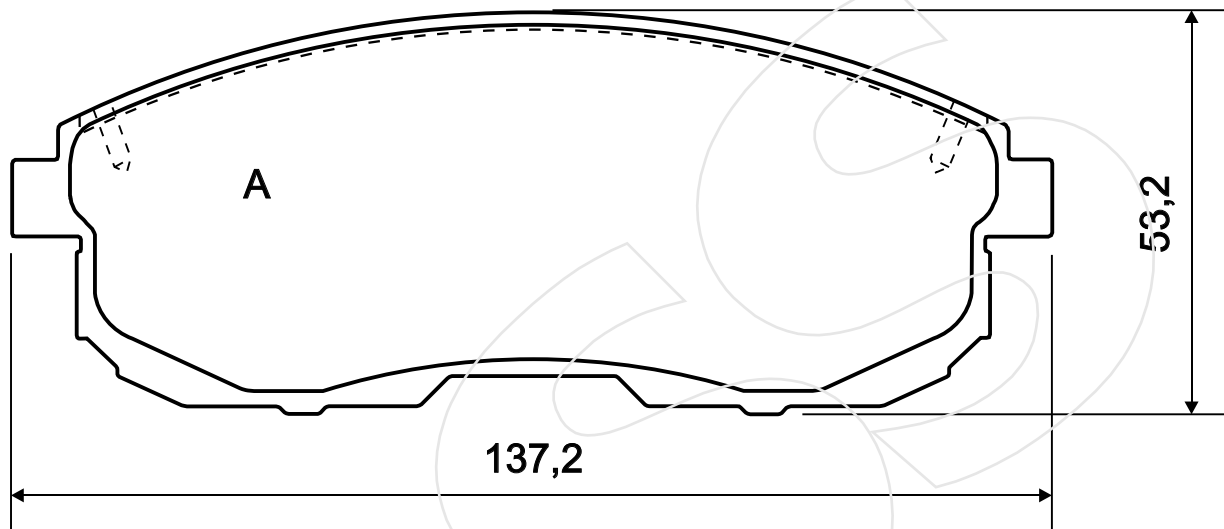
Reference in this Catalogue to other manufactures and to part numbers and other descriptions are for identification purposes only, because the above DISC BRAKE PADS are NOT ORIGINAL but with these interchangeable.

CODICE	IMPIANTO		ASSE	SCALA	APPLICAZIONI
<b>R-733</b>	ATE		ANTERIORE	1:1	VOLKSWAGEN
CODICE COMPONENTI	N°	L(mm)	SERIE		
*	*		2 PEZZI TIPO A		
M0136+F3037	2+2	200	2 PEZZI TIPO B		
*	*				
CODICE ACCESSORI	N°	L(mm)	NOTE		
*	*		*		
*	*		*		
*	*		*		
*	*		*		



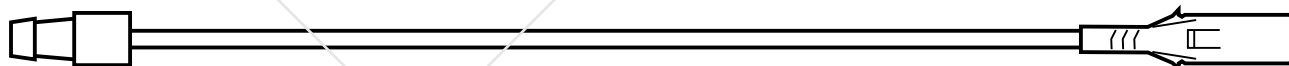
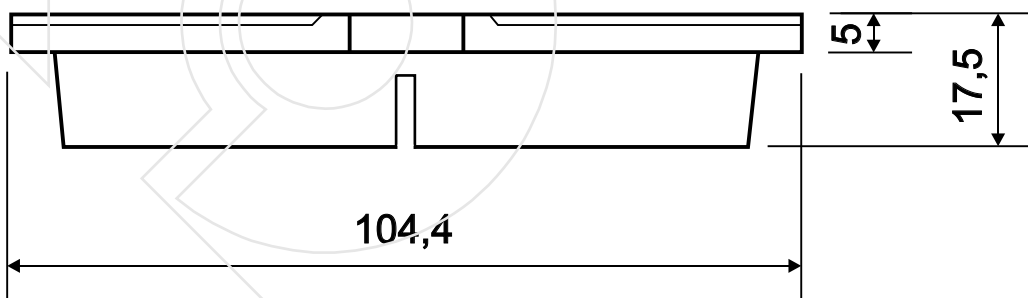
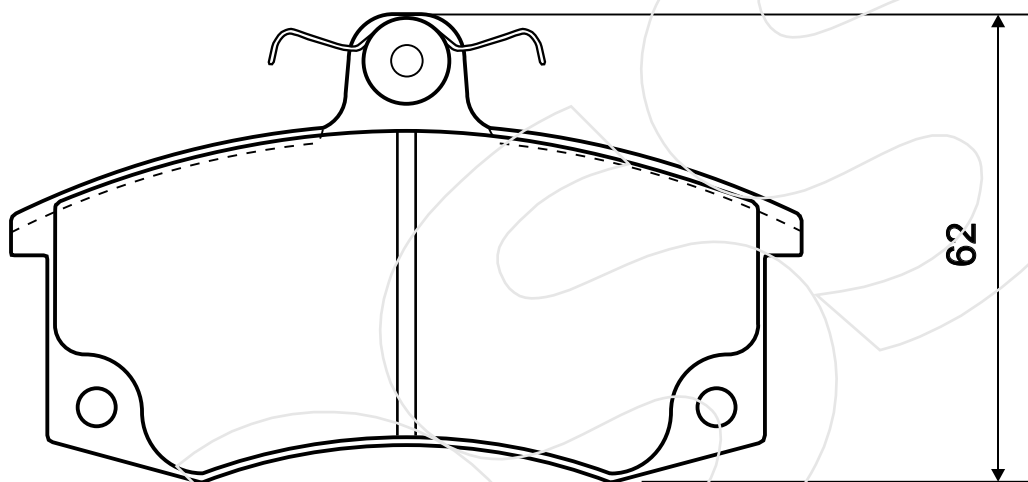
Reference in this Catalogue to other manufactures and to part numbers and other descriptions are for identification purposes only, because the above DISC BRAKE PADS are NOT ORIGINAL but with these interchangeable.

CODICE	IMPIANTO		ASSE	SCALA	APPLICAZIONI
<b>R-734</b>	SUMITOMO		ANTERIORE	1:1	NISSAN
CODICE COMPONENTI	N°	L(mm)	SERIE		
*	*	*	2 PEZZI TIPO A		
M0074	2		2 PEZZI TIPO B		
*	*	*			
CODICE ACCESSORI	N°	L(mm)	NOTE		
*	*	*	*		
*	*	*	*		
*	*	*	*		
*	*	*	*		



Reference in this Catalogue to other manufactures and to part numbers and other descriptions are for identification purposes only, because the above DISC BRAKE PADS are NOT ORIGINAL but with these interchangeable.

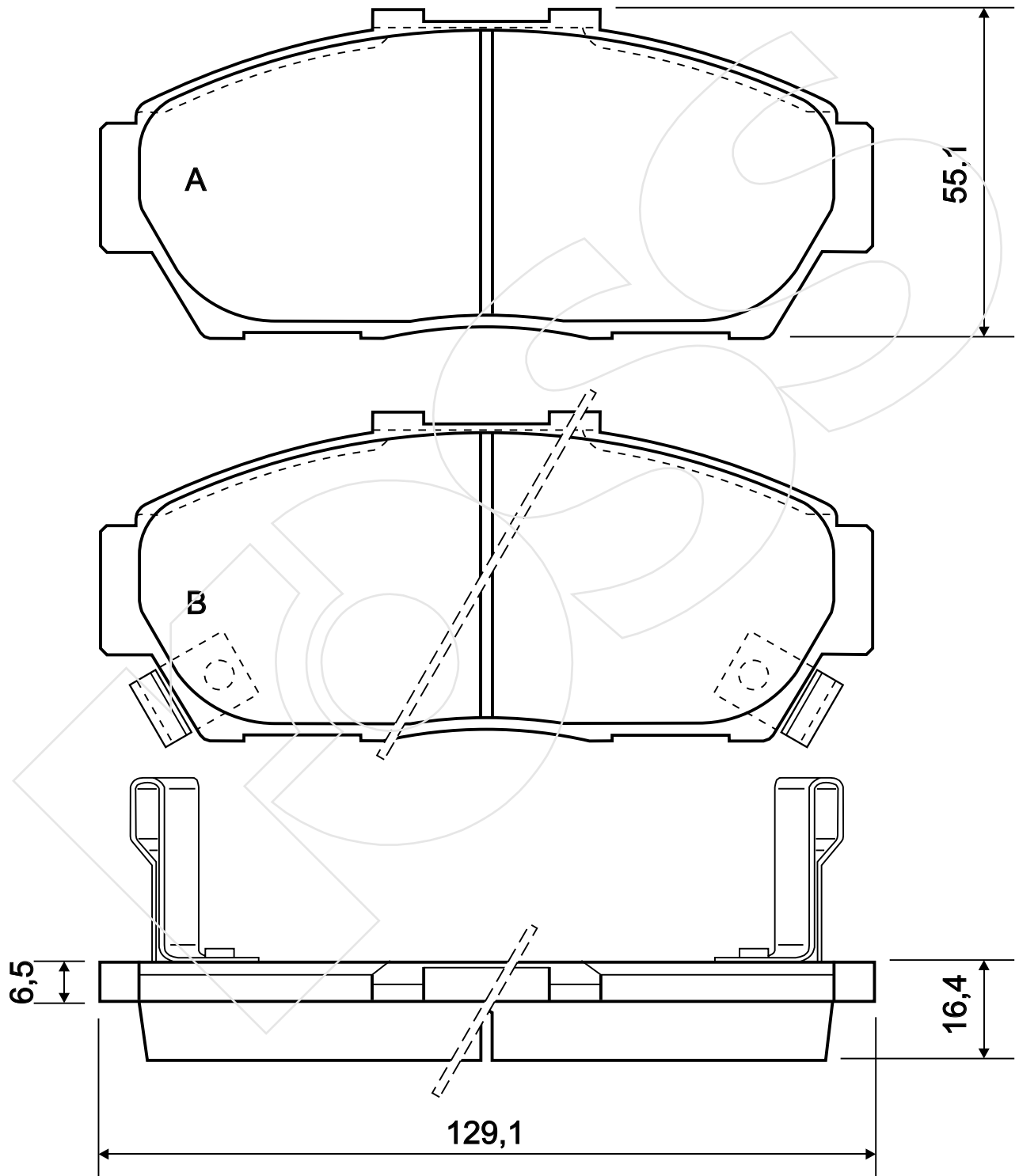
CODICE	IMPIANTO		ASSE	SCALA	APPLICAZIONI
<b>R-735</b>	GIRLING		ANTERIORE	1:1	LADA
CODICE COMPONENTI	N°	L(mm)	SERIE		
M0030+P1012	4+4	*	4 PEZZI		
F3075	2	170	*		
*	*	*	*		
*	*	*	*		
CODICE ACCESSORI	N°	L(mm)	NOTE		
*	*				
*	*				
*	*				
*	*				



Reference in this Catalogue to other manufactures and to part numbers and other descriptions are for identification purposes only, because the above DISC BRAKE PADS are NOT ORIGINAL but with these interchangeable.

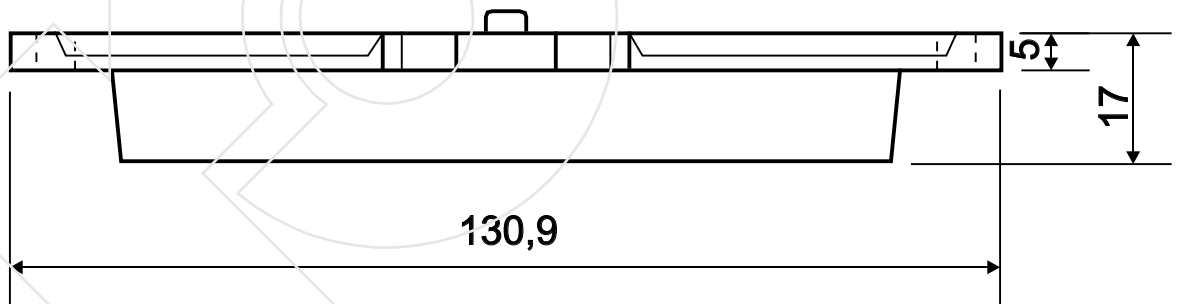
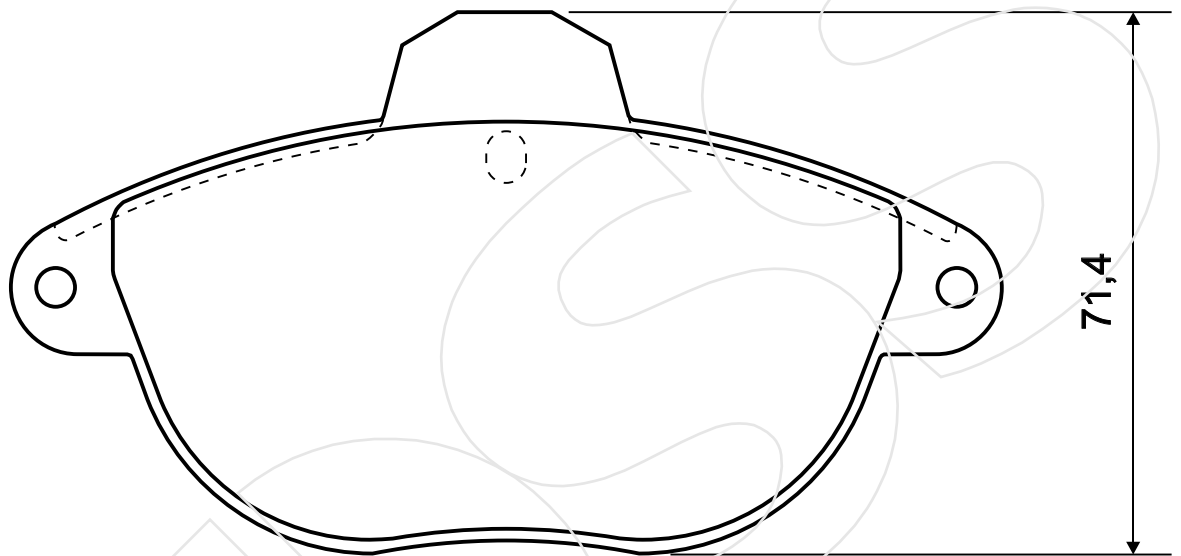


CODICE	IMPIANTO		ASSE	SCALA	APPLICAZIONI
<b>R-736</b>	AKEBONO		ANTERIORE	1:1	HONDA
CODICE COMPONENTI	N°	L(mm)	SERIE		
*	*	*	2 PEZZI TIPO A		
M0033	2		2 PEZZI TIPO B		
*	*				
CODICE ACCESSORI	N°	L(mm)	NOTE		
*	*		*		
*	*		*		
*	*		*		
*	*		*		



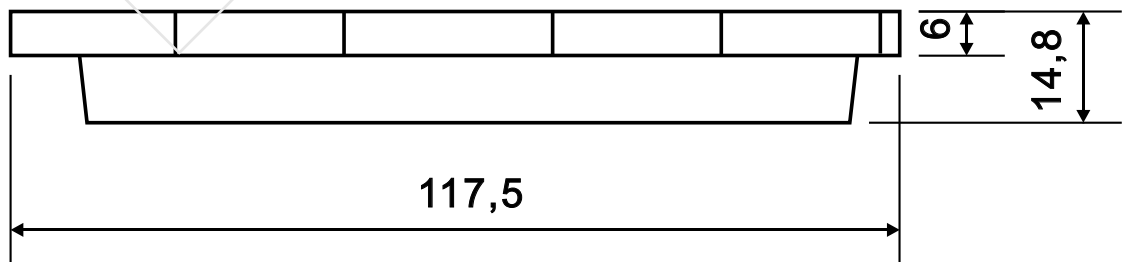
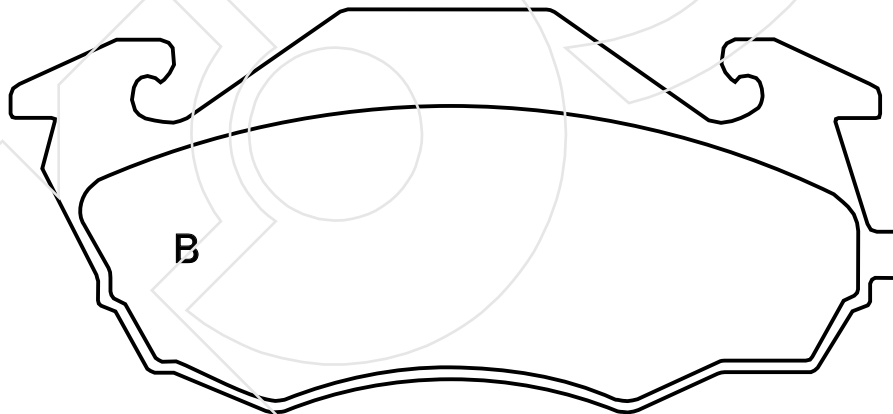
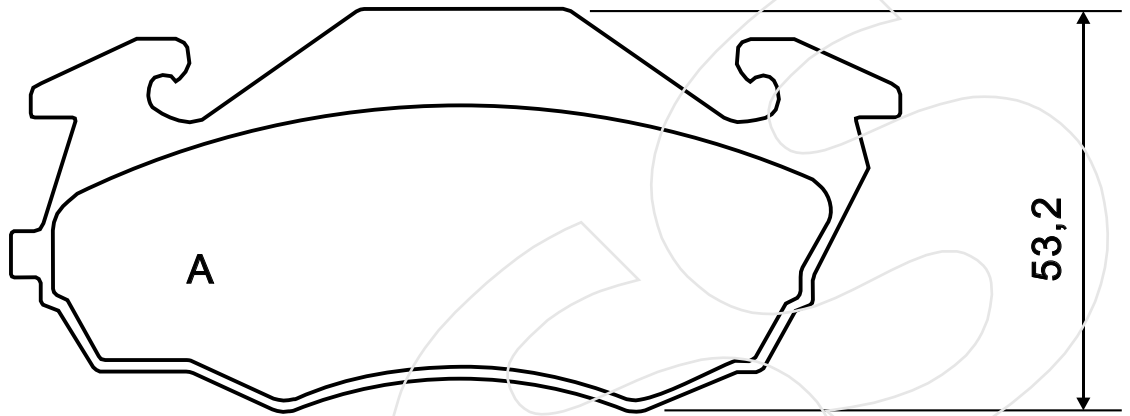
Reference in this Catalogue to other manufactures and to part numbers and other descriptions are for identification purposes only, because the above DISC BRAKE PADS are NOT ORIGINAL but with these interchangeable.

CODICE	IMPIANTO		ASSE	SCALA	APPLICAZIONI
<b>R-737</b>	BENDIX		ANTERIORE	1:1	CITROEN
CODICE COMPONENTI	N°	L(mm)	SERIE		
F3053	2	200	4 PEZZI		
F3057	2	350	*		
*	*	*	*		
*	*	*	*		
CODICE ACCESSORI	N°	L(mm)	NOTE		
*	*	*	*		
*	*	*	*		
*	*	*	*		
*	*	*	*		



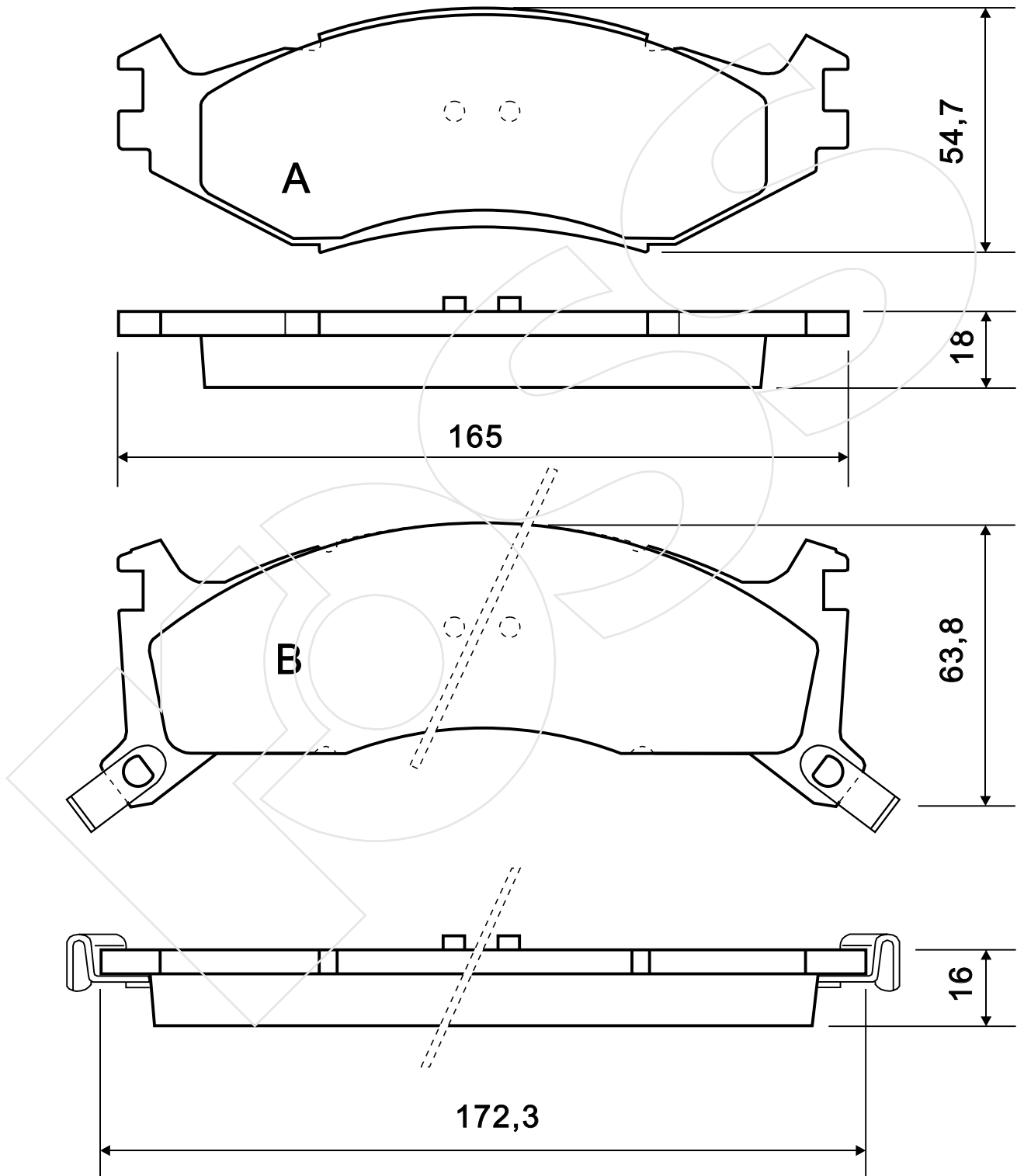
Reference in this Catalogue to other manufactures and to part numbers and other descriptions are for identification purposes only, because the above DISC BRAKE PADS are NOT ORIGINAL but with these interchangeable.

CODICE	IMPIANTO	ASSE	SCALA	APPLICAZIONI
<b>R-738</b>	BENDIX	ANTERIORE	1:1	SUBARU
CODICE COMPONENTI	N°	L(mm)	SERIE	
*	*	*	2 PEZZI TIPO A	
*	*	*	2 PEZZI TIPO B	
*	*	*		
CODICE ACCESSORI	N°	L(mm)	NOTE	
*	*	*	*	
*	*	*	*	
*	*	*	*	
*	*	*	*	



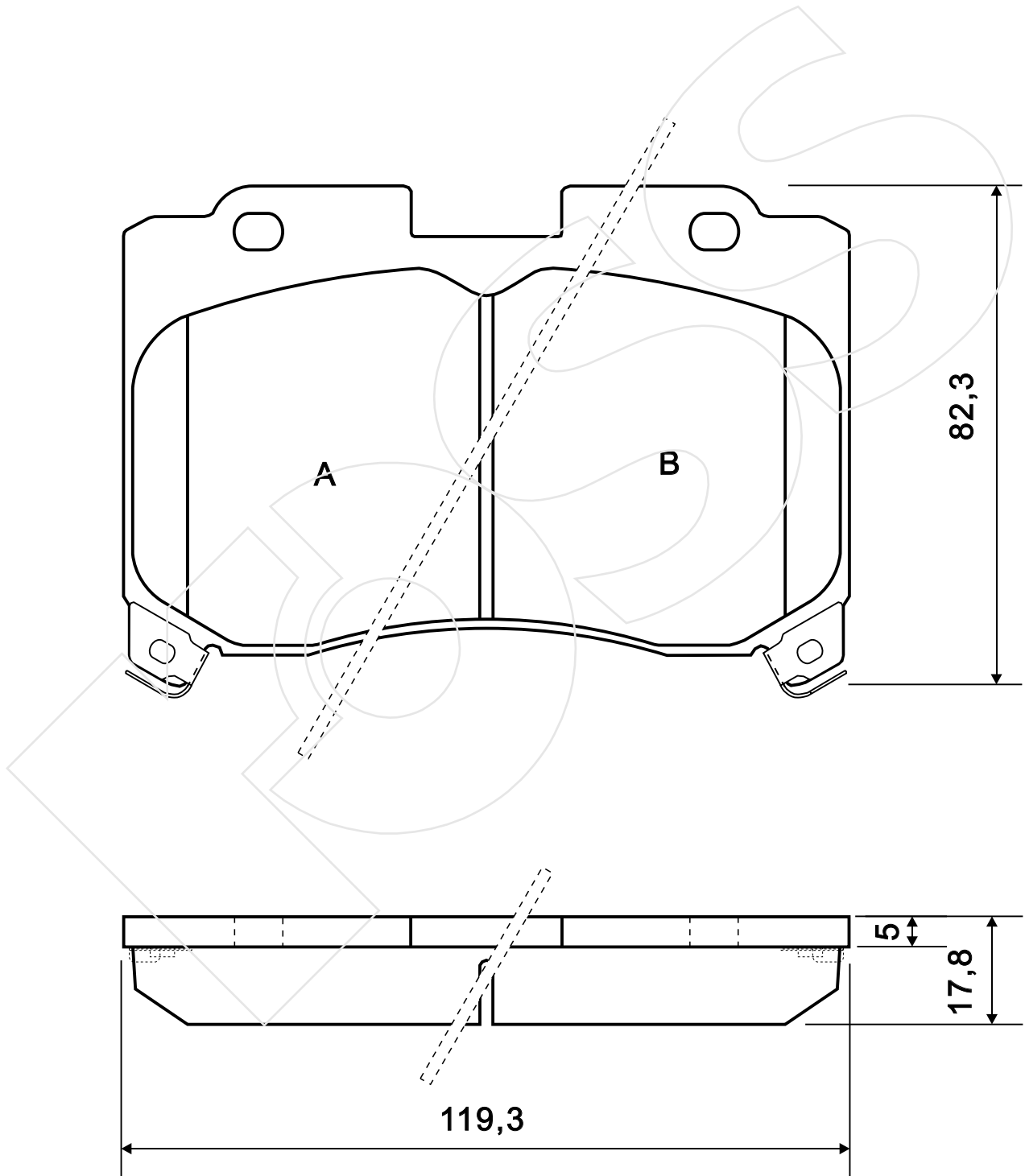
Reference in this Catalogue to other manufactures and to part numbers and other descriptions are for identification purposes only, because the above DISC BRAKE PADS are NOT ORIGINAL but with these interchangeable.

CODICE	IMPIANTO		ASSE	SCALA	APPLICAZIONI
<b>R-739</b>	KELSEY-HAYES		ANTERIORE	3:4	CHRYSLER
CODICE COMPONENTI	N°	L(mm)	SERIE		
*	*	*	2 PEZZI TIPO A		
M0183	2		2 PEZZI TIPO B		
*	*				
CODICE ACCESSORI	N°	L(mm)	NOTE		
*	*		*		
*	*		*		
*	*		*		
*	*		*		
			PLYMOUTH		



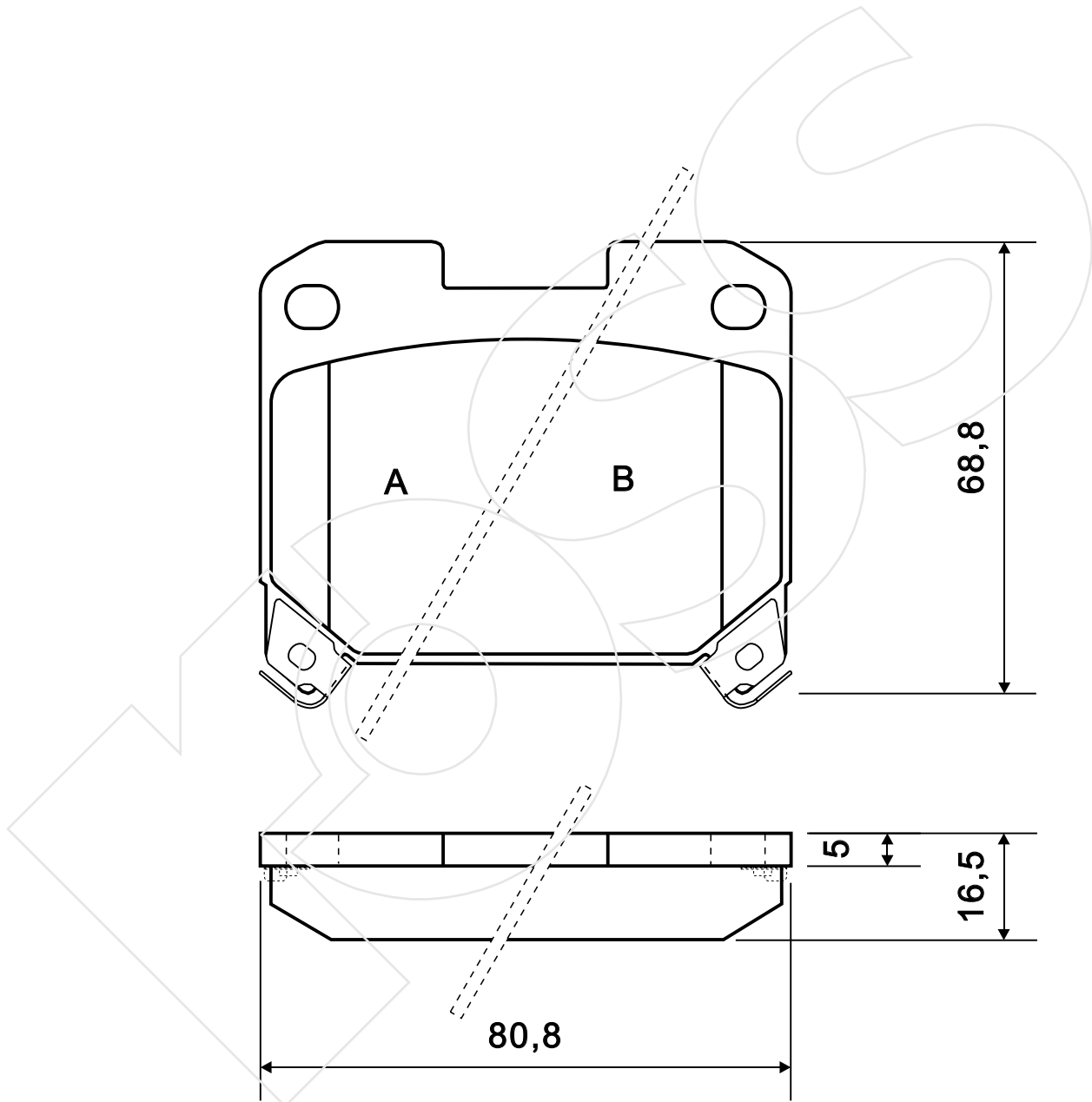
Reference in this Catalogue to other manufactures and to part numbers and other descriptions are for identification purposes only, because the above DISC BRAKE PADS are NOT ORIGINAL but with these interchangeable.

CODICE	IMPIANTO	ASSE	SCALA	APPLICAZIONI
<b>R-740</b>	SUMITOMO	ANTERIORE	1:1	TOYOTA
CODICE COMPONENTI	N°	L(mm)	SERIE	
M0137	2	*	2 PEZZI TIPO A	
M0138	2	*	2 PEZZI TIPO B	
*	*			
CODICE ACCESSORI	N°	L(mm)	NOTE	
*	*		*	
*	*		*	
*	*		*	
*	*		*	



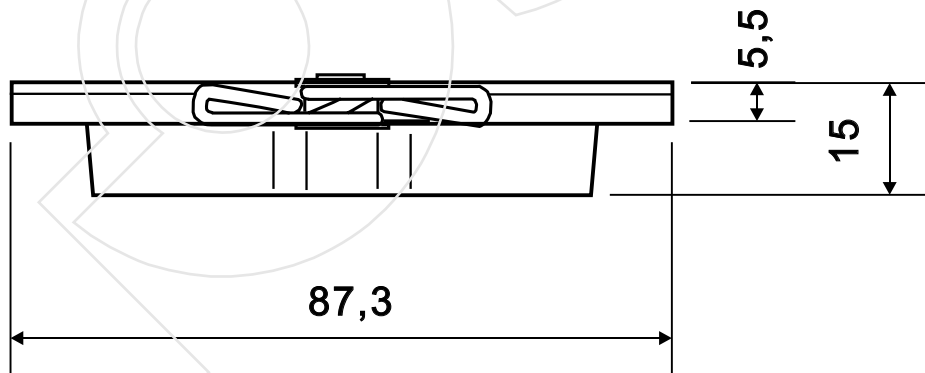
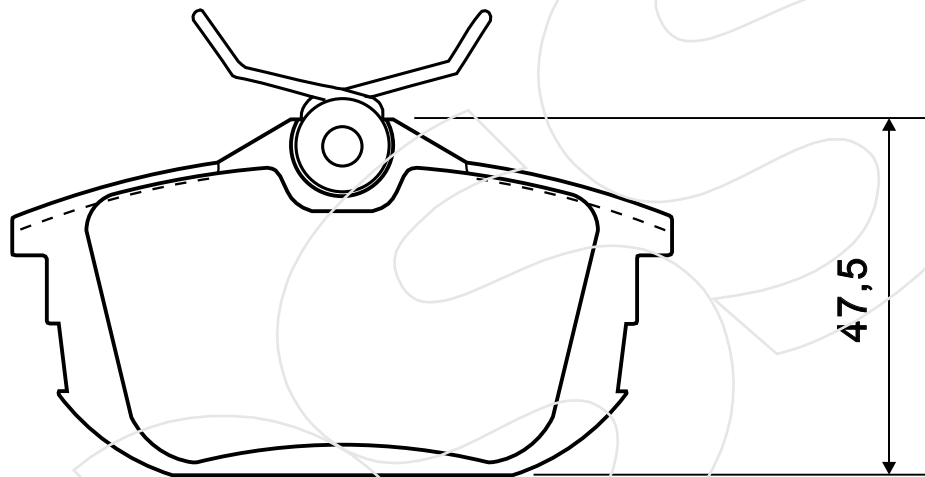
Reference in this Catalogue to other manufactures and to part numbers and other descriptions are for identification purposes only, because the above DISC BRAKE PADS are NOT ORIGINAL but with these interchangeable.

CODICE	IMPIANTO	ASSE	SCALA	APPLICAZIONI
<b>R-741</b>	SUMITOMO	POSTERIORE	1:1	TOYOTA
CODICE COMPONENTI	N°	L(mm)	SERIE	
M0137	2	*	2 PEZZI TIPO A	
M0138	2	*	2 PEZZI TIPO B	
*	*	*		
CODICE ACCESSORI	N°	L(mm)	NOTE	
*	*	*		
*	*	*		
*	*	*		
*	*	*		



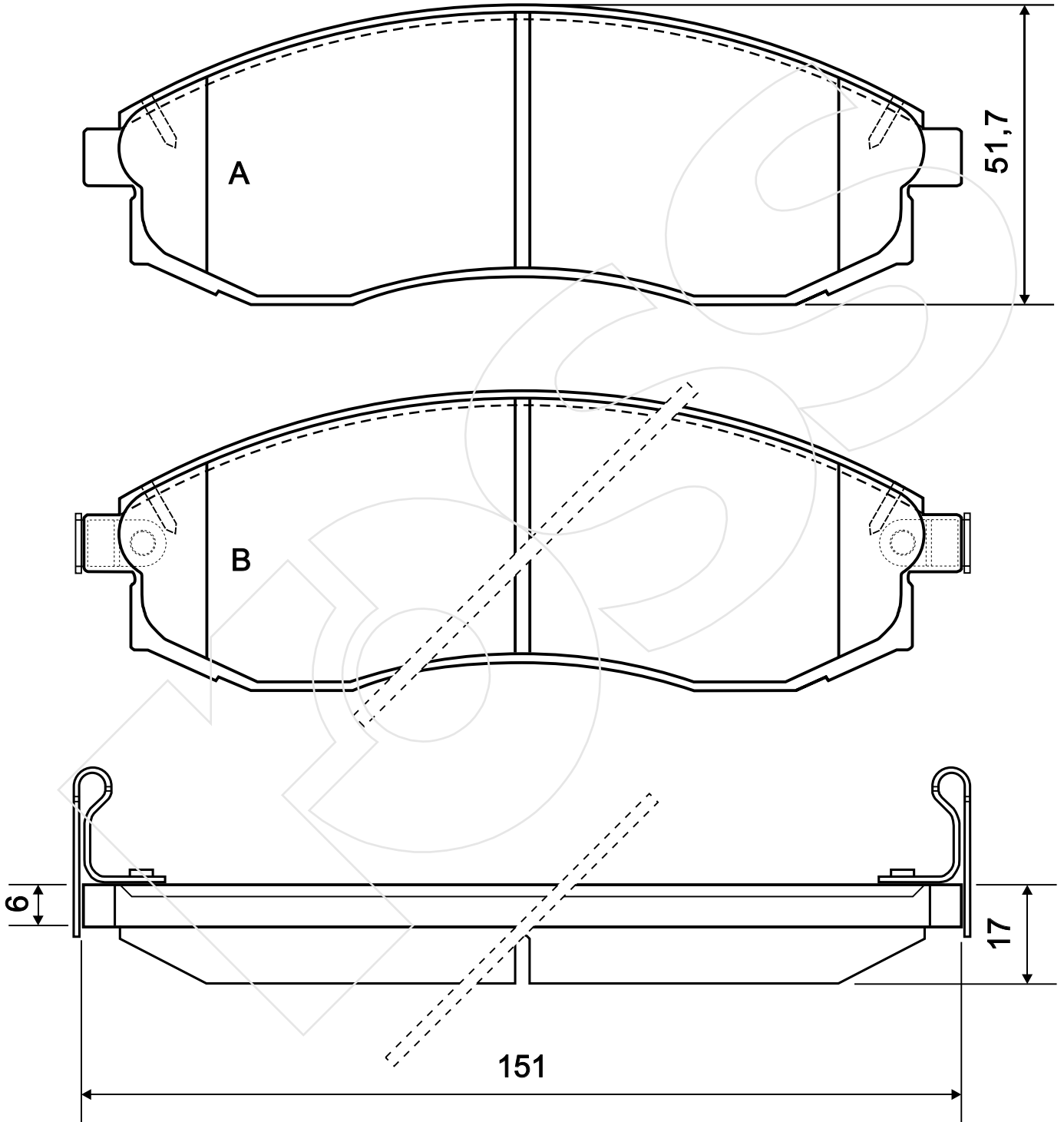
Reference in this Catalogue to other manufactures and to part numbers and other descriptions are for identification purposes only, because the above DISC BRAKE PADS are NOT ORIGINAL but with these interchangeable.

CODICE	IMPIANTO		ASSE	SCALA	APPLICAZIONI
<b>R-742</b>	GIRLING		POSTERIORE	1:1	VOLVO MITSUBISHI
CODICE COMPONENTI	N°	L(mm)	SERIE		
M0015	4	*	4 PEZZI		
*	*				
*	*				
CODICE ACCESSORI	N°	L(mm)	NOTE		
*	*		*		
*	*		*		
*	*		*		
*	*		*		



Reference in this Catalogue to other manufactures and to part numbers and other descriptions are for identification purposes only, because the above DISC BRAKE PADS are NOT ORIGINAL but with these interchangeable.

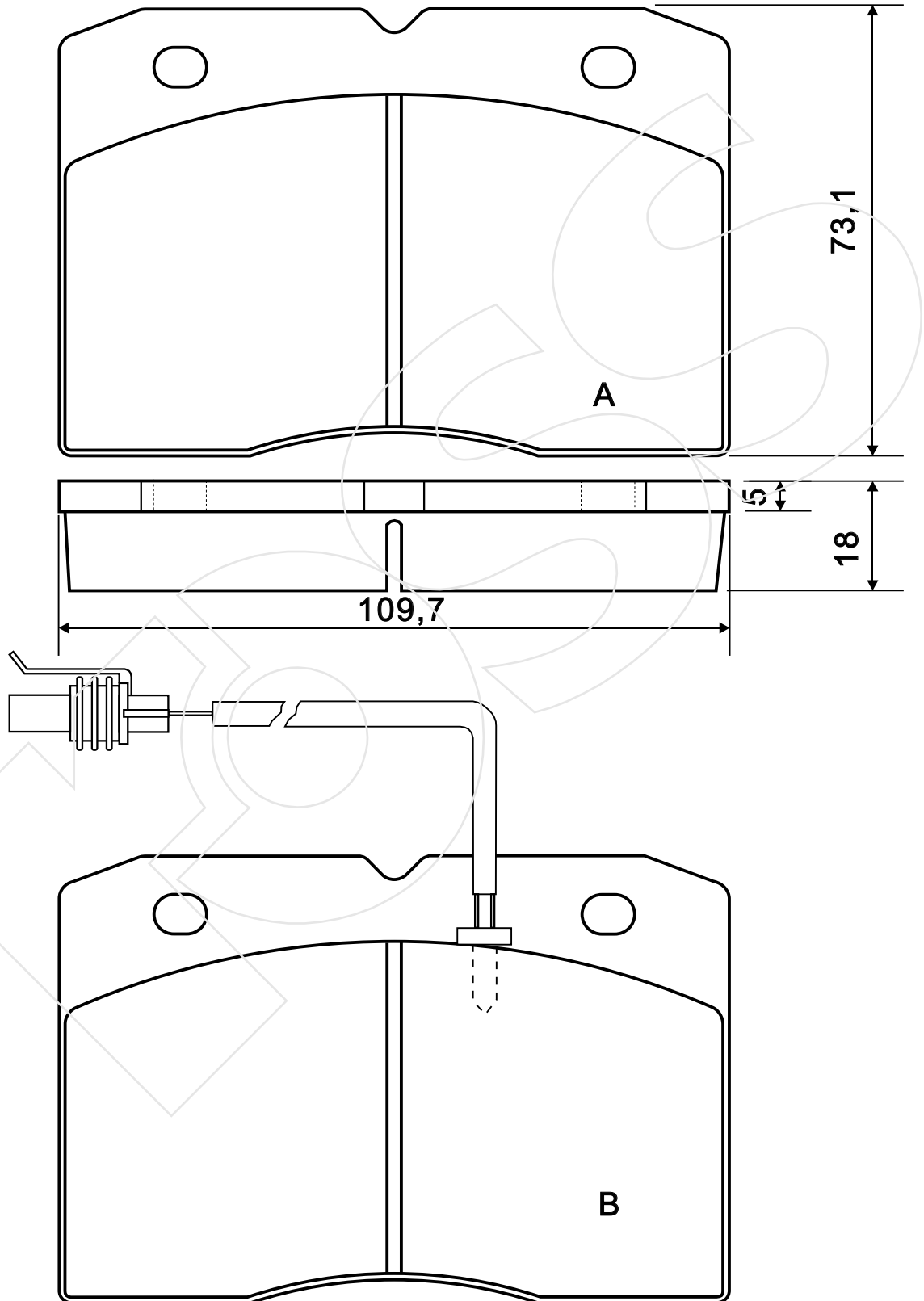
CODICE	IMPIANTO	ASSE	SCALA	APPLICAZIONI
<b>R-743</b>	AKEBONO	ANTERIORE	1:1	NISSAN
CODICE COMPONENTI	N°	L(mm)	SERIE	
*	*	*	2 PEZZI TIPO A	
M0074	2		2 PEZZI TIPO B	
*	*			
CODICE ACCESSORI	N°	L(mm)	NOTE	
*	*		*	
*	*		*	
*	*		*	
*	*		*	



Reference in this Catalogue to other manufactures and to part numbers and other descriptions are for identification purposes only, because the above DISC BRAKE PADS are NOT ORIGINAL but with these interchangeable.

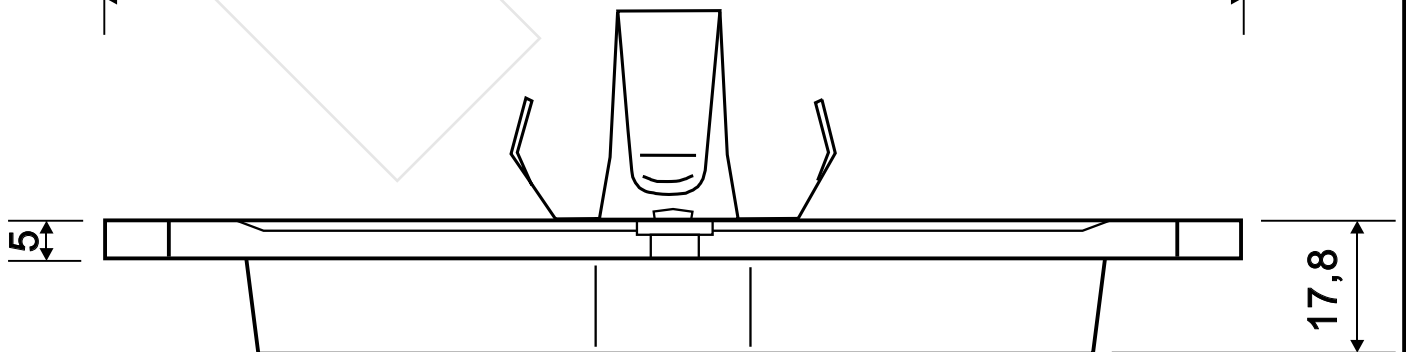
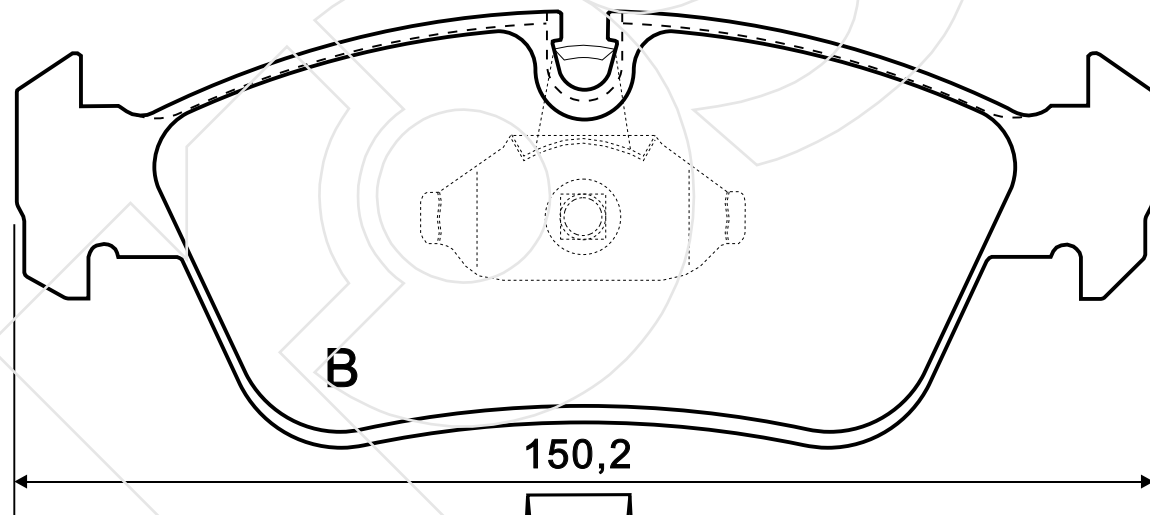
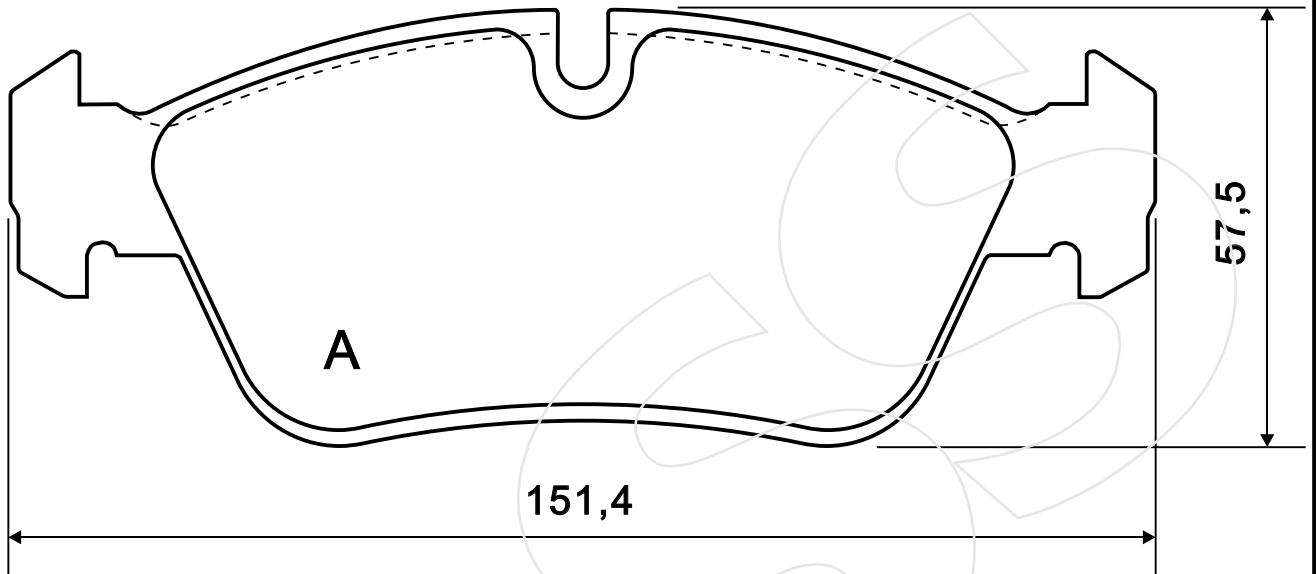


CODICE	IMPIANTO	ASSE	SCALA	APPLICAZIONI
<b>R-744</b>	BREMBO	ANTERIORE	1:1	IVECO
CODICE COMPONENTI	N°	L(mm)	SERIE	
*	*		2 PEZZI TIPO A	
F3077	2	130	2 PEZZI TIPO B	
*	*			
CODICE ACCESSORI	N°	L(mm)	NOTE	
*	*		*	
*	*		*	
*	*		*	
*	*		*	



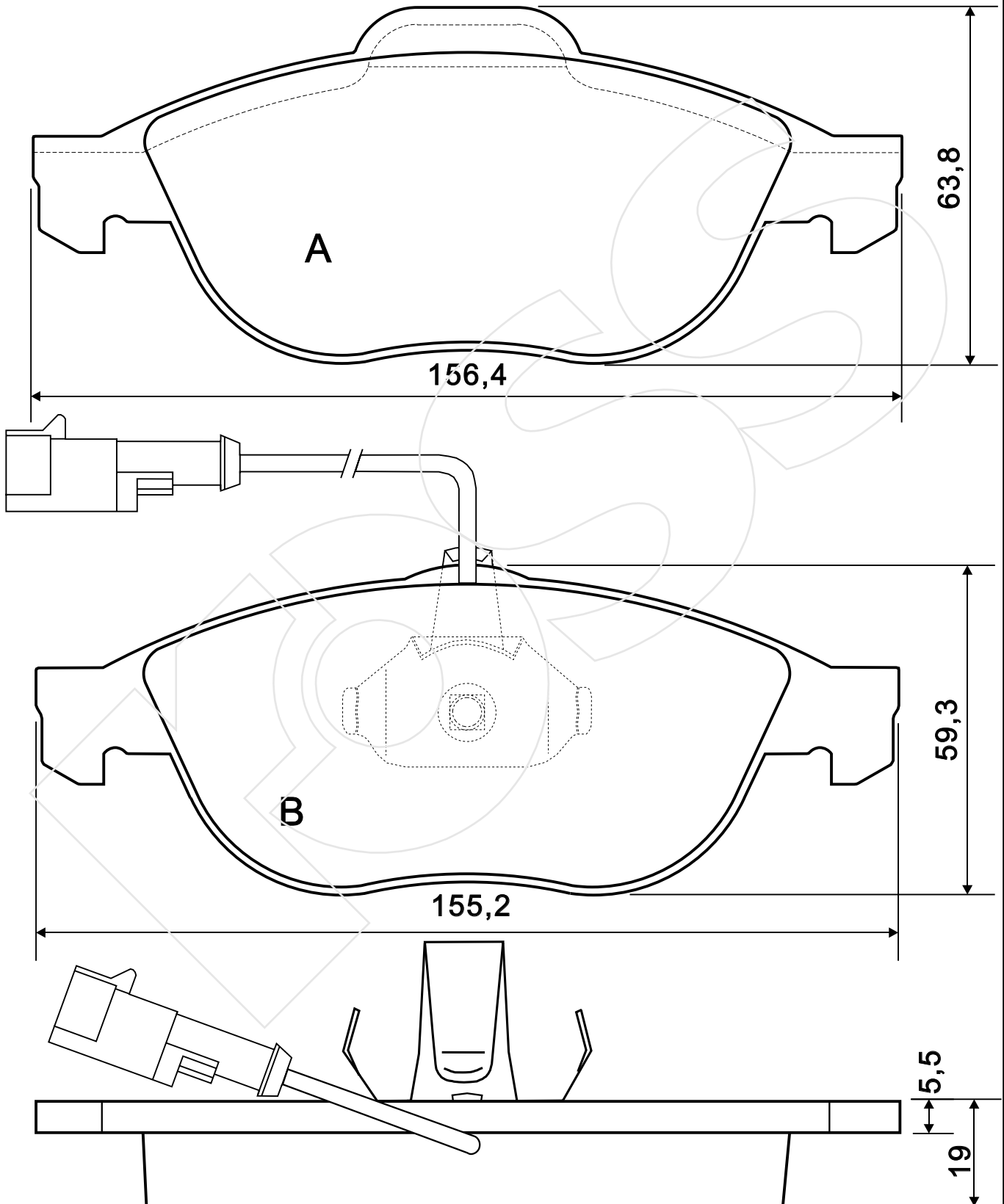
Reference in this Catalogue to other manufactures and to part numbers and other descriptions are for identification purposes only, because the above DISC BRAKE PADS are NOT ORIGINAL but with these interchangeable.

CODICE	IMPIANTO		ASSE	SCALA	APPLICAZIONI
<b>R-745</b>	ATE		ANTERIORE	1:1	BMW
CODICE COMPONENTI	N°	L(mm)	SERIE		
*	*	*	2 PEZZI TIPO A		
M0133	2		2 PEZZI TIPO B		
*	*				
CODICE ACCESSORI	N°	L(mm)	NOTE		
*	*		*		
*	*		*		
*	*		*		
*	*		*		



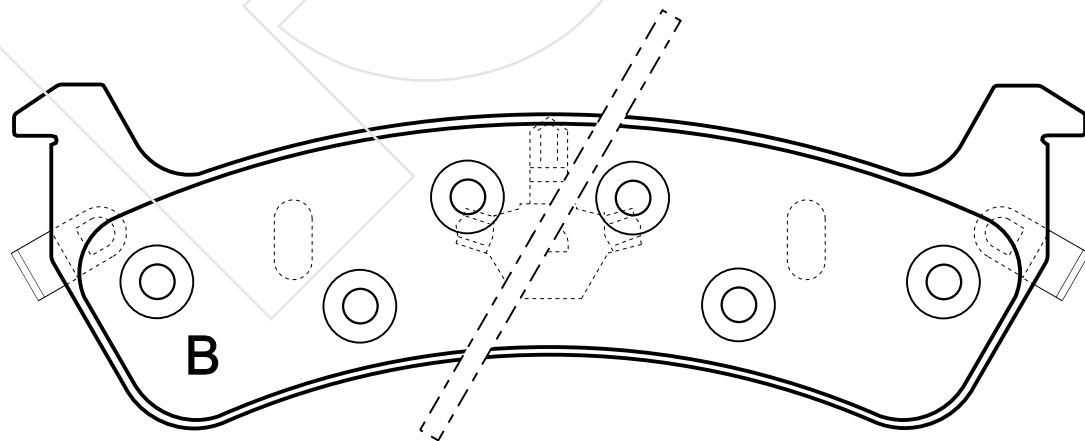
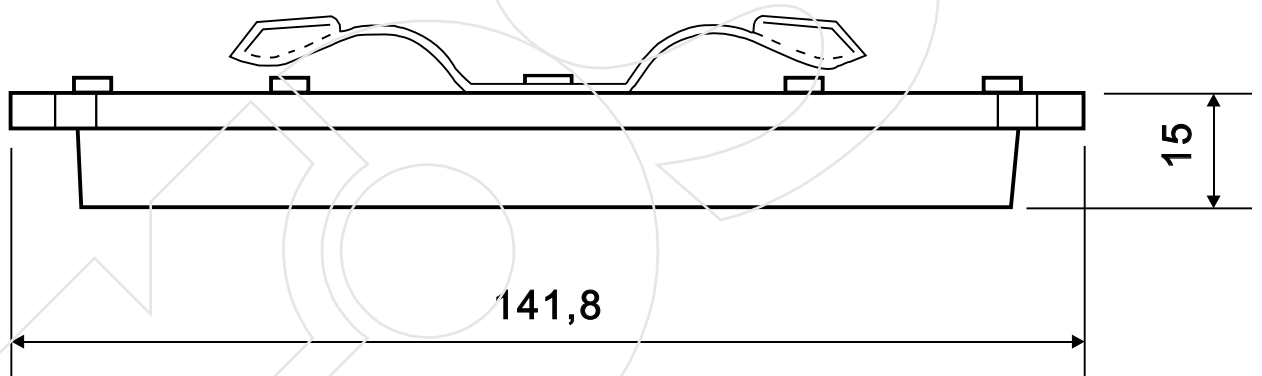
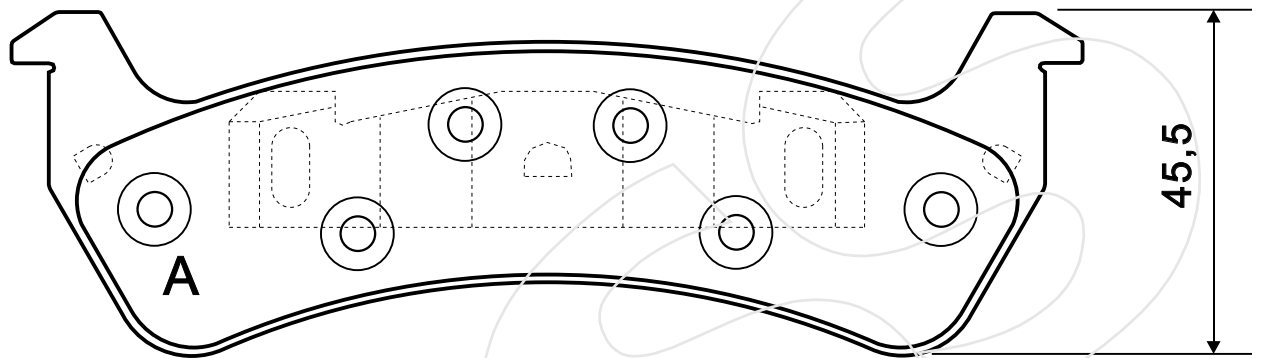
Reference in this Catalogue to other manufactures and to part numbers and other descriptions are for identification purposes only, because the above DISC BRAKE PADS are NOT ORIGINAL but with these interchangeable.

CODICE	IMPIANTO		ASSE	SCALA	APPLICAZIONI
<b>R-746</b>	ATE		ANTERIORE	1:1	ALFA ROMEO
CODICE COMPONENTI	N°	L(mm)	SERIE		
	*		2 PEZZI TIPO A		
M0131+F3019	2+2	220	2 PEZZI TIPO B		
	*				
CODICE ACCESSORI	N°	L(mm)	NOTE		
	*		*		
	*		*		
	*		*		
	*		*		



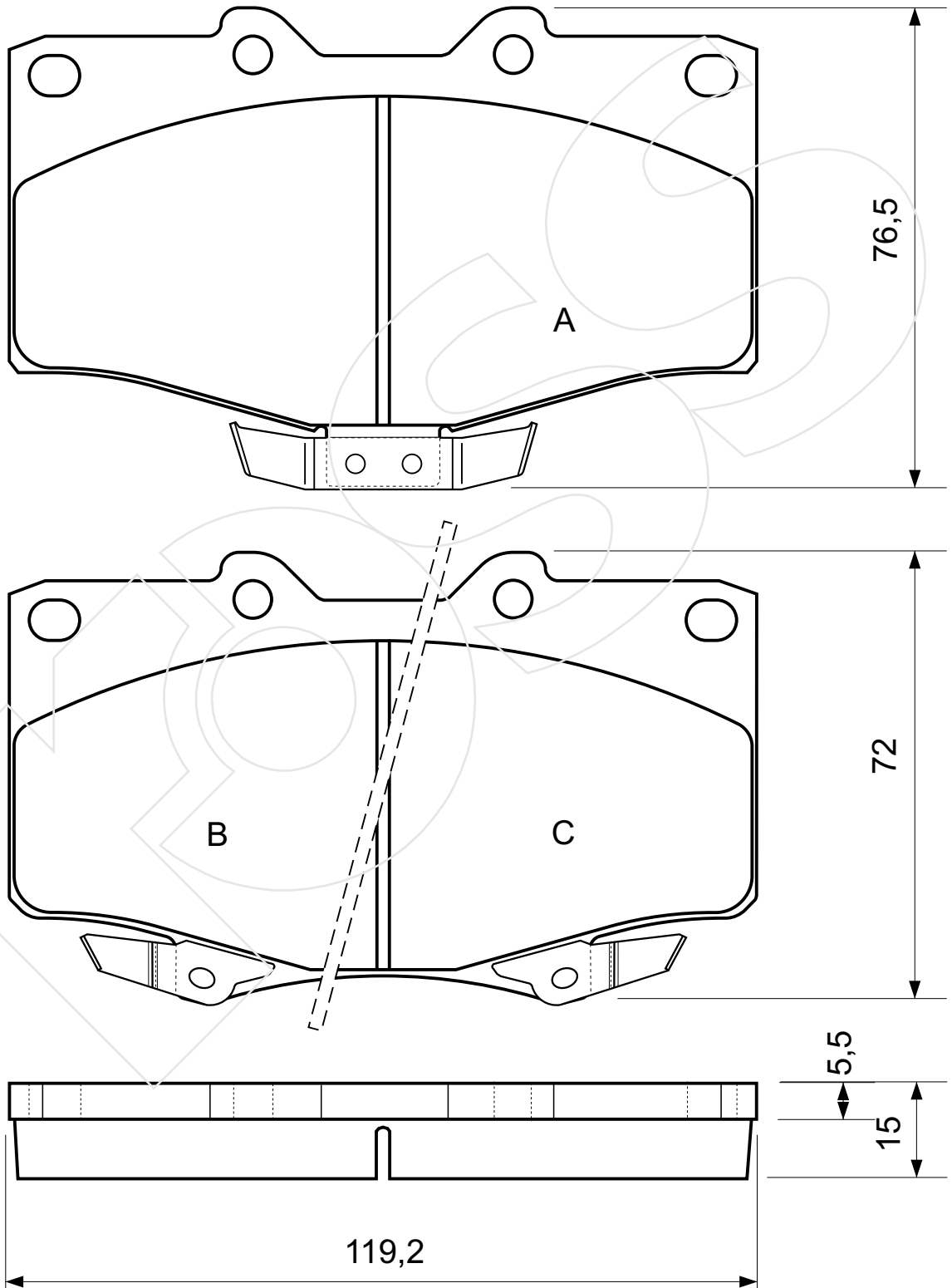
Reference in this Catalogue to other manufactures and to part numbers and other descriptions are for identification purposes only, because the above DISC BRAKE PADS are NOT ORIGINAL but with these interchangeable.

CODICE	IMPIANTO		ASSE	SCALA	APPLICAZIONI
<b>R-747</b>			POSTERIORE	1:1	JEEP Grand Cherokee
CODICE COMPONENTI	N°	L(mm)	SERIE		
M0207	2	*	2 PEZZI TIPO A		
M0208+M0119	2+2	*	2 PEZZI TIPO B		
*	*				
CODICE ACCESSORI	N°	L(mm)	NOTE		
*	*		*		
*	*		*		
*	*		*		
*	*		*		



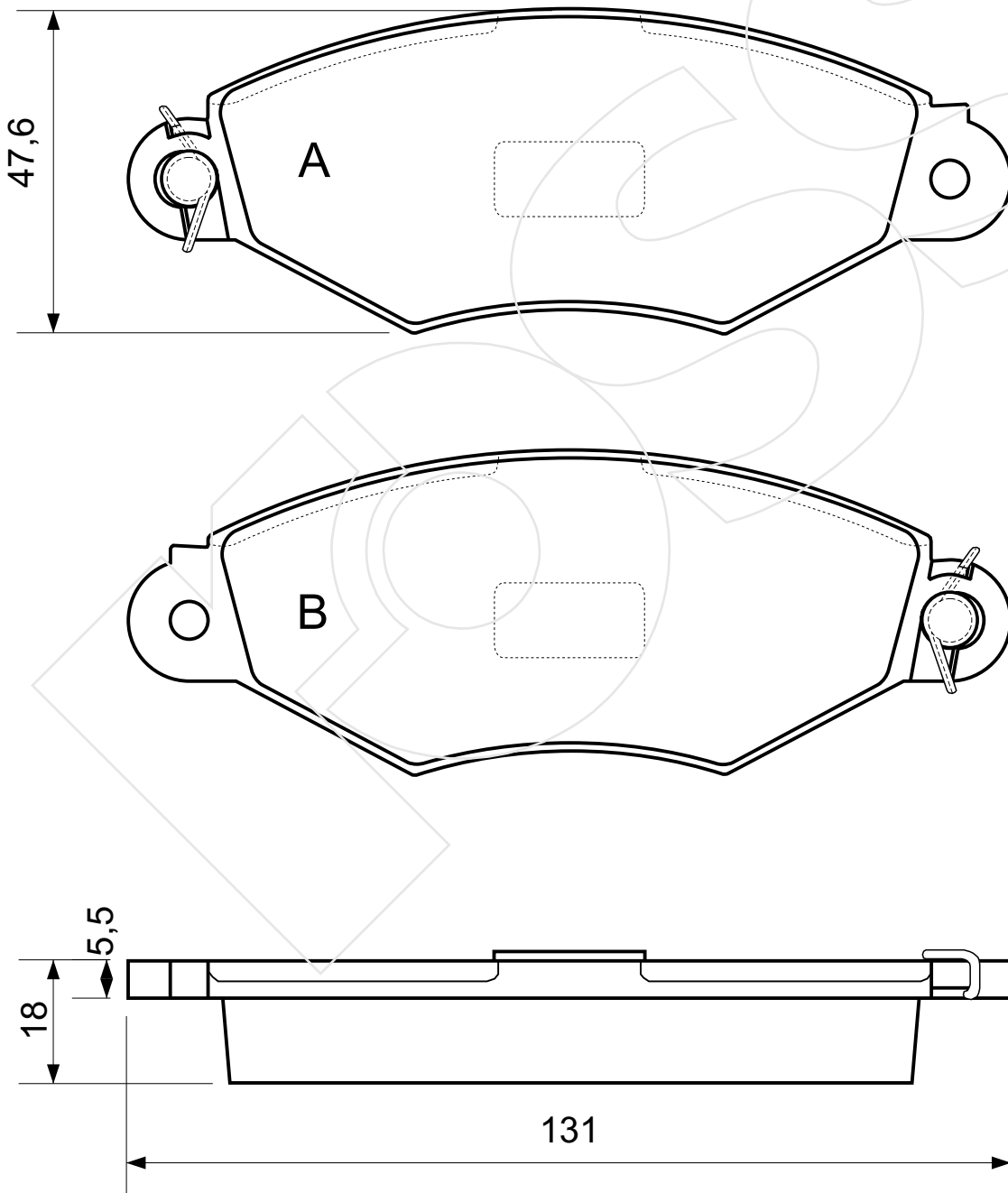
Reference in this Catalogue to other manufactures and to part numbers and other descriptions are for identification purposes only, because the above DISC BRAKE PADS are NOT ORIGINAL but with these interchangeable.

CODICE	IMPIANTO	ASSE	SCALA	APPLICAZIONI
<b>R-748</b>	SUMITOMO	ANTERIORE	1:1	TOYOTA
CODICE COMPONENTI	N°	L(mm)	SERIE	
M0078	2	*	2 PEZZI TIPO A	
M0111	1		1 PEZZO TIPO B	
M0110	1		1 PEZZO TIPO C	
CODICE ACCESSORI	N°	L(mm)	NOTE	
*	*		*	
*	*		*	
*	*		*	
*	*		*	



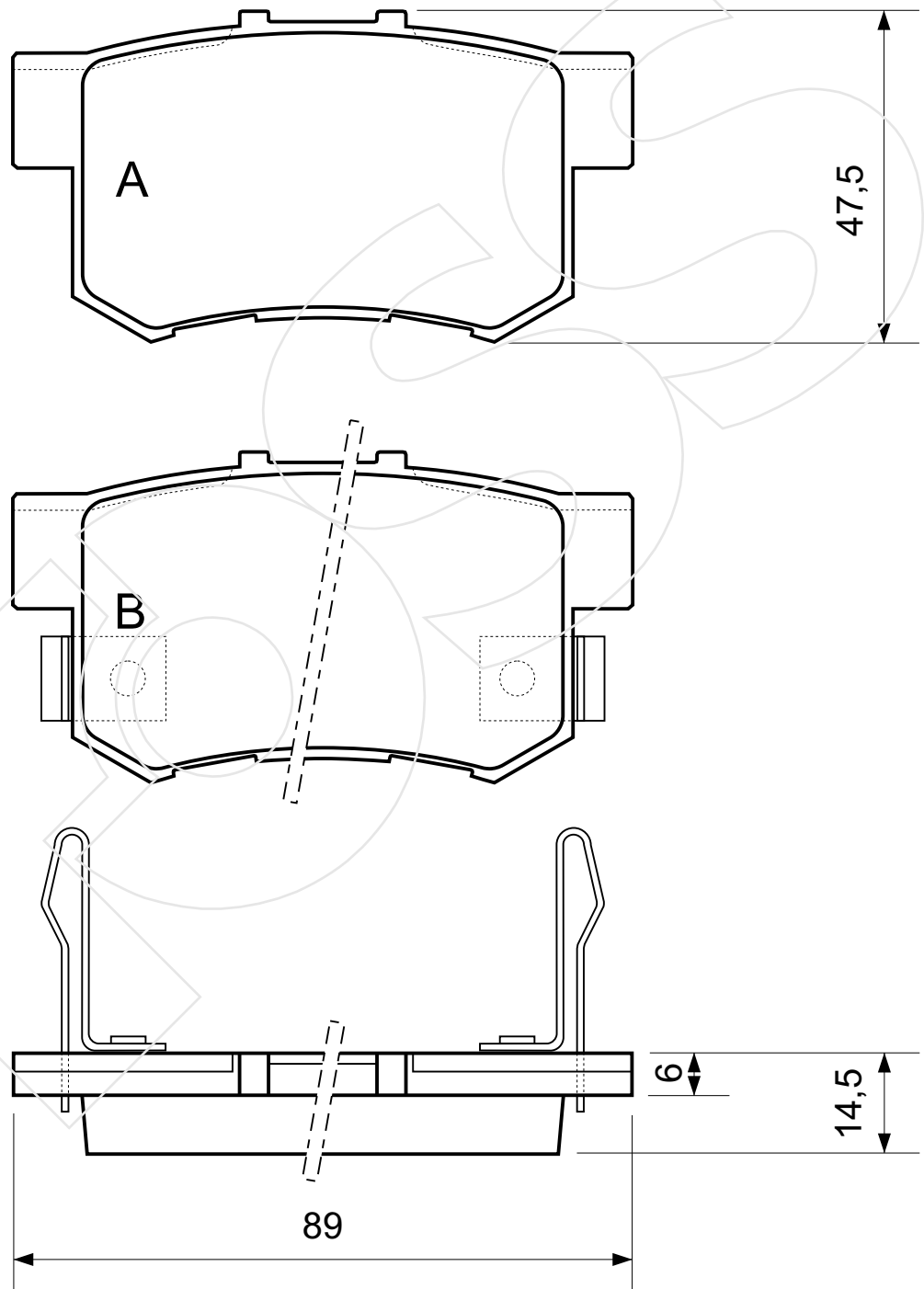
Reference in this Catalogue to other manufactures and to part numbers and other descriptions are for identification purposes only, because the above DISC BRAKE PADS are NOT ORIGINAL but with these interchangeable.

CODICE	IMPIANTO		ASSE	SCALA	APPLICAZIONI
<b>R-749</b>	BENDIX		ANTERIORE	1:1	RENAULT CITROEN PEUGEOT
CODICE COMPONENTI	N°	L(mm)	SERIE		
M0148	2	*	2 PEZZI TIPO A		
M0148	2	*	2 PEZZI TIPO B		
*	*	*			
CODICE ACCESSORI	N°	L(mm)	NOTE		
*	*	*	*		
*	*	*	*		
*	*	*	*		
*	*	*	*		



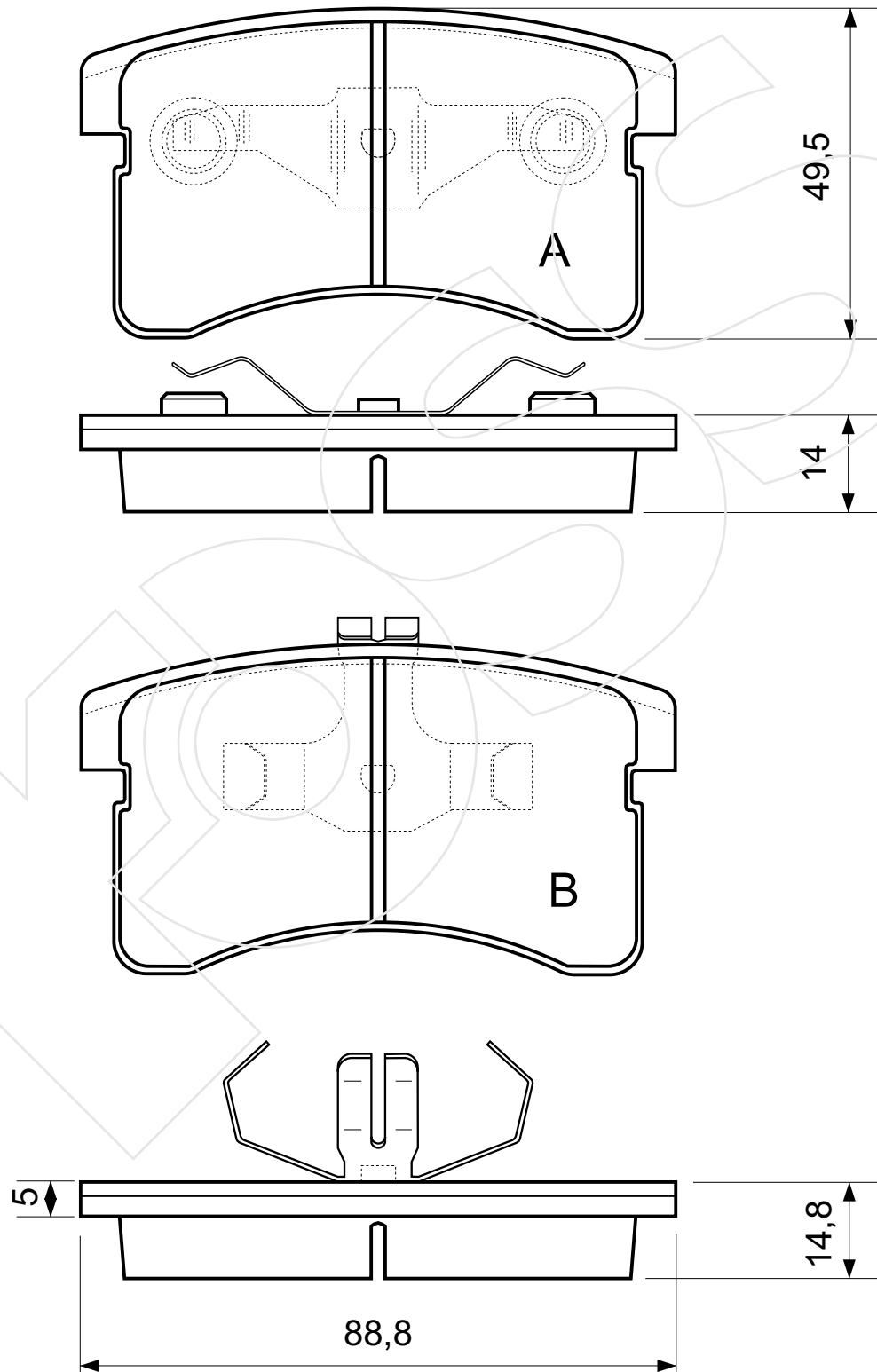
Reference in this Catalogue to other manufactures and to part numbers and other descriptions are for identification purposes only, because the above DISC BRAKE PADS are NOT ORIGINAL but with these interchangeable.

CODICE	IMPIANTO	ASSE	SCALA	APPLICAZIONI
<b>R-750</b>	AKEBONO	POSTERIORE	1:1	HONDA
CODICE COMPONENTI	N°	L(mm)	SERIE	
*	*	*	2 PEZZI TIPO A	
M 0092	1		1 PEZZO TIPO B CON MOLLAA DX	
M 0092	1		1 PEZZO TIPO B CON MOLLAA SX	
CODICE ACCESSORI	N°	L(mm)	NOTE	
*	*	*	*	
*	*	*	*	
*	*	*	*	
*	*	*	*	



Reference in this Catalogue to other manufactures and to part numbers and other descriptions are for identification purposes only, because the above DISC BRAKE PADS are NOT ORIGINAL but with these interchangeable.

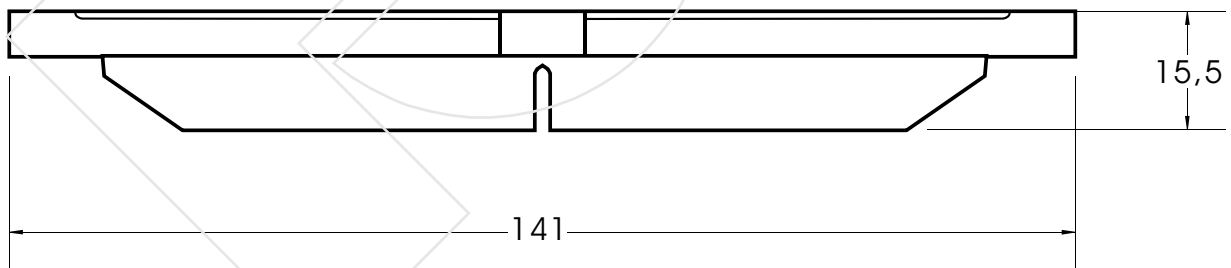
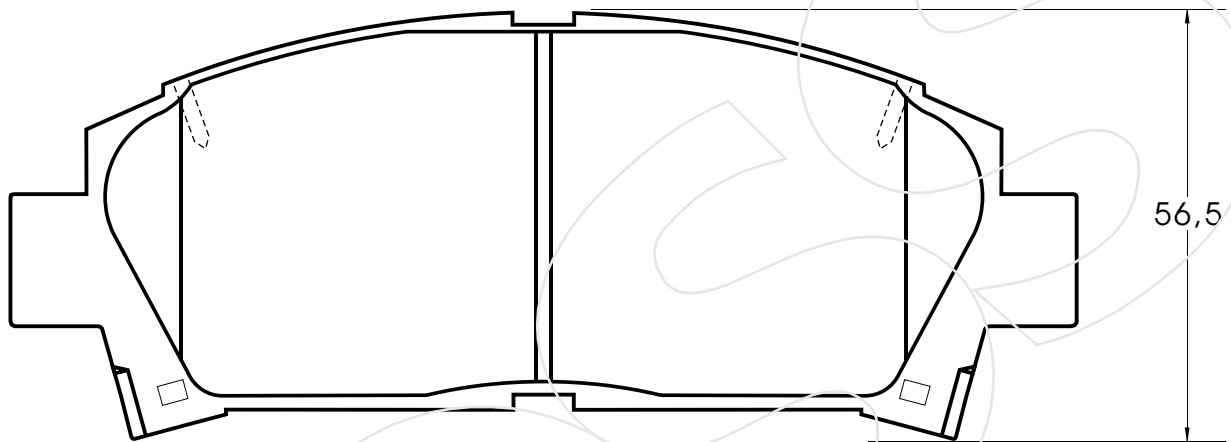
CODICE	IMPIANTO	ASSE	SCALA	APPLICAZIONI
<b>R-751</b>	AKEBONO	ANTERIORE	1:1	DAIHATSU
CODICE COMPONENTI	N°	L(mm)	SERIE	
M0072	2	*	2 PEZZI TIPO A	
M0154	2	*	2 PEZZI TIPO B	
*	*			
CODICE ACCESSORI	N°	L(mm)	NOTE	
*	*		*	
*	*		*	
*	*		*	
*	*		*	



Reference in this Catalogue to other manufactures and to part numbers and other descriptions are for identification purposes only, because the above DISC BRAKE PADS are NOT ORIGINAL but with these interchangeable.

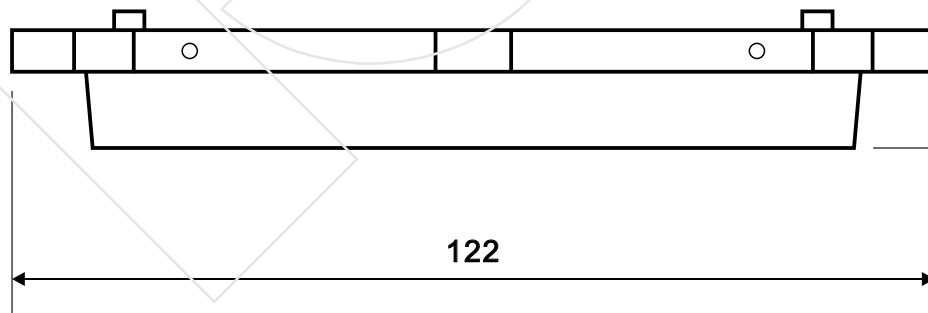
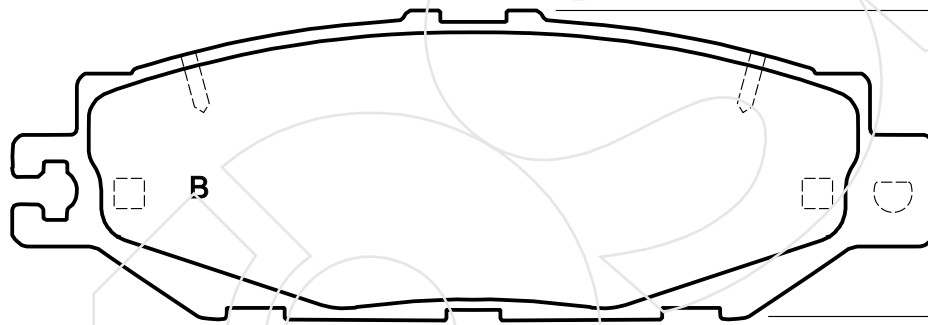
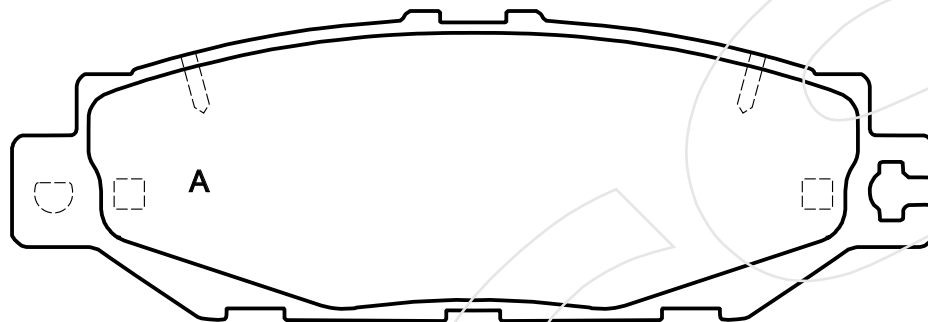


CODICE	IMPIANTO	ASSE	SCALA	APPLICAZIONI
<b>R-752</b>	AKEBONO	ANTERIORE	1:1	TOYOTA
CODICE COMPONENTI	N°	L(mm)	SERIE	
*	*	*	4 PEZZI	
*	*			
*	*			
CODICE ACCESSORI	N°	L(mm)	NOTE	
*	*		*	
*	*		*	
*	*		*	
*	*		*	



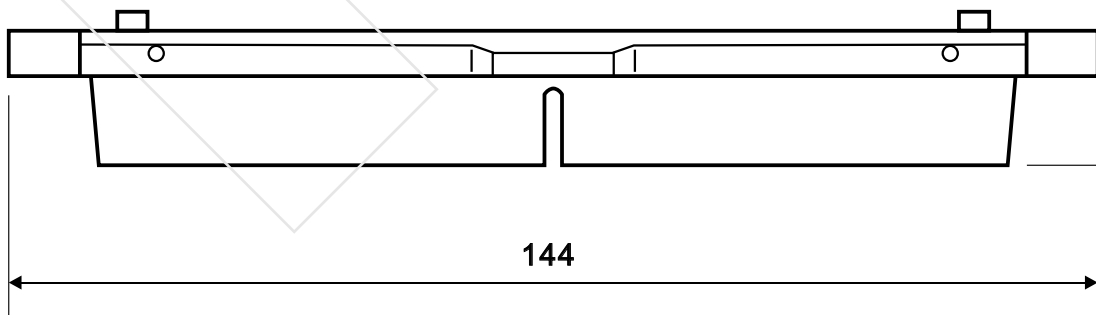
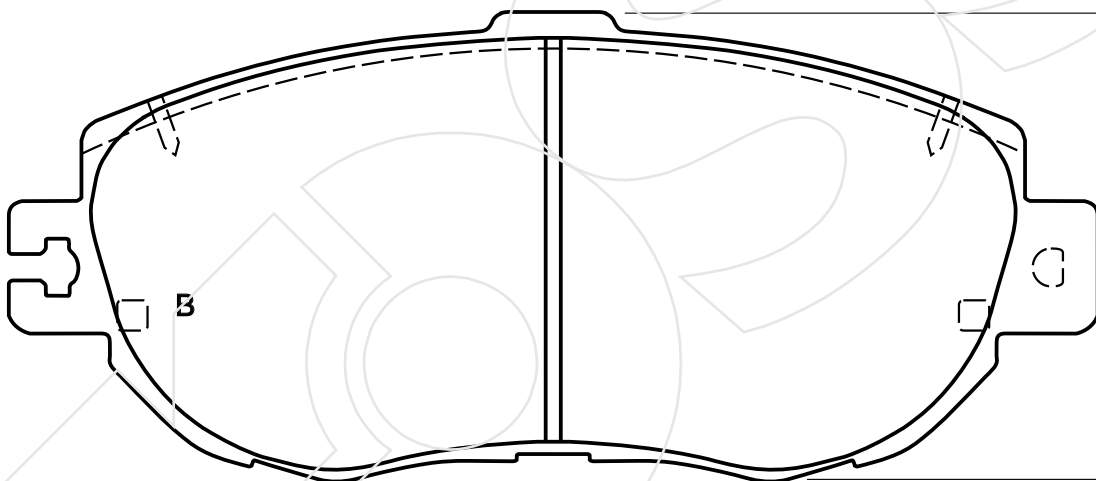
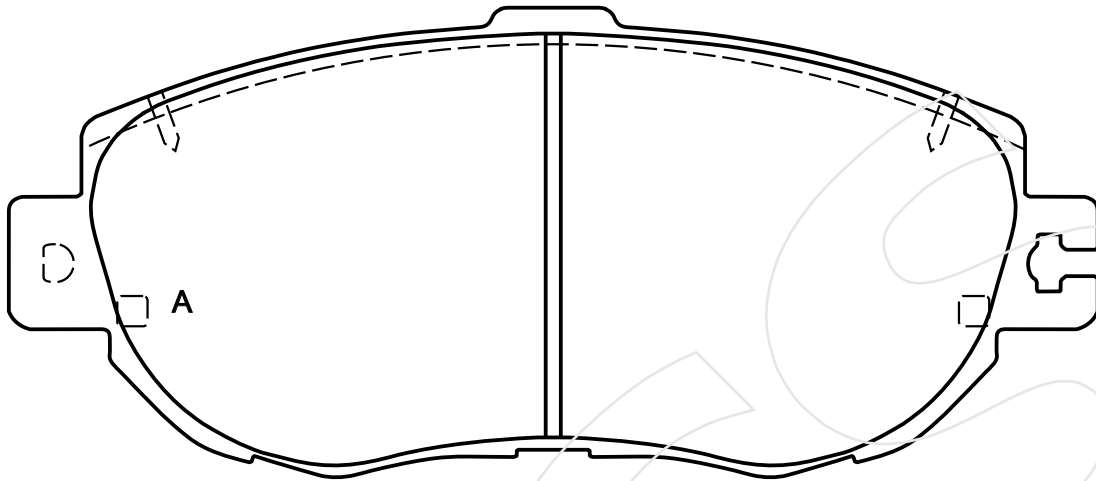
Reference in this Catalogue to other manufactures and to part numbers and other descriptions are for identification purposes only, because the above DISC BRAKE PADS are NOT ORIGINAL but with these interchangeable.

CODICE	IMPIANTO	ASSE	SCALA	APPLICAZIONI
<b>R-753</b>	*	POSTERIORE	1:1	LEXUS
CODICE COMPONENTI	N°	L(mm)	SERIE	
*	*	*	2 PEZZI TIPO A	
*	*	*	2 PEZZI TIPO B	
*	*	*		
CODICE ACCESSORI	N°	L(mm)	NOTE	
*	*	*		
*	*	*		
*	*	*		
*	*	*		



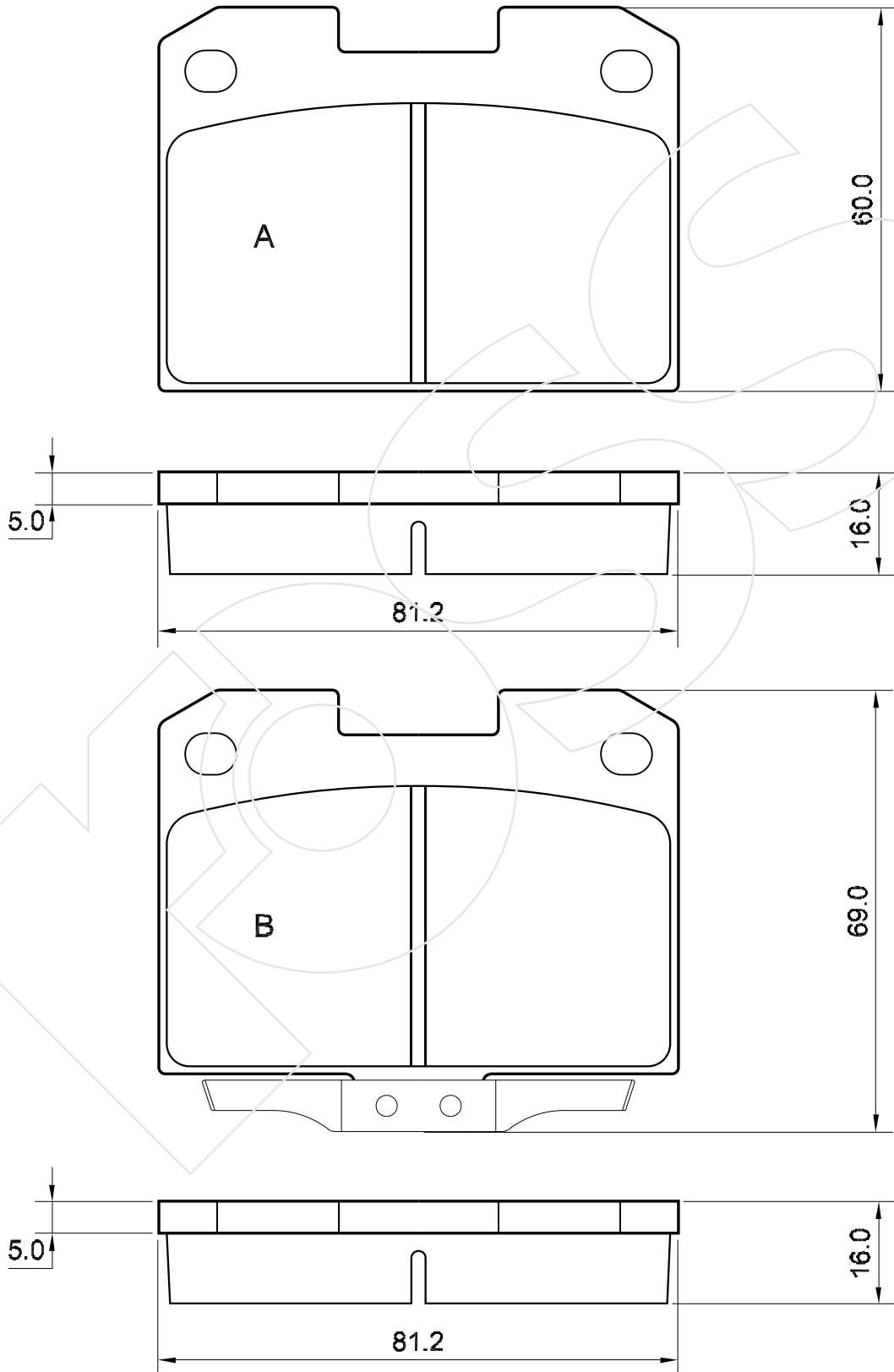
Reference in this Catalogue to other manufactures and to part numbers and other descriptions are for identification purposes only, because the above DISC BRAKE PADS are NOT ORIGINAL but with these interchangeable.

CODICE	IMPIANTO	ASSE	SCALA	APPLICAZIONI
<b>R-754</b>	*	ANTERIORE	1:1	LEXUS
CODICE COMPONENTI	N°	L(mm)	SERIE	
*	*	*	2 PEZZI TIPO A	
*	*	*	2 PEZZI TIPO B	
*	*	*		
CODICE ACCESSORI	N°	L(mm)	NOTE	
*	*	*		
*	*	*		
*	*	*		
*	*	*		



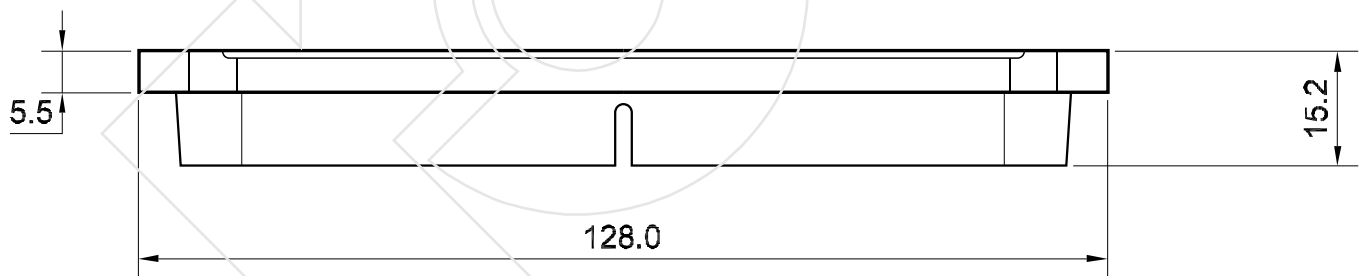
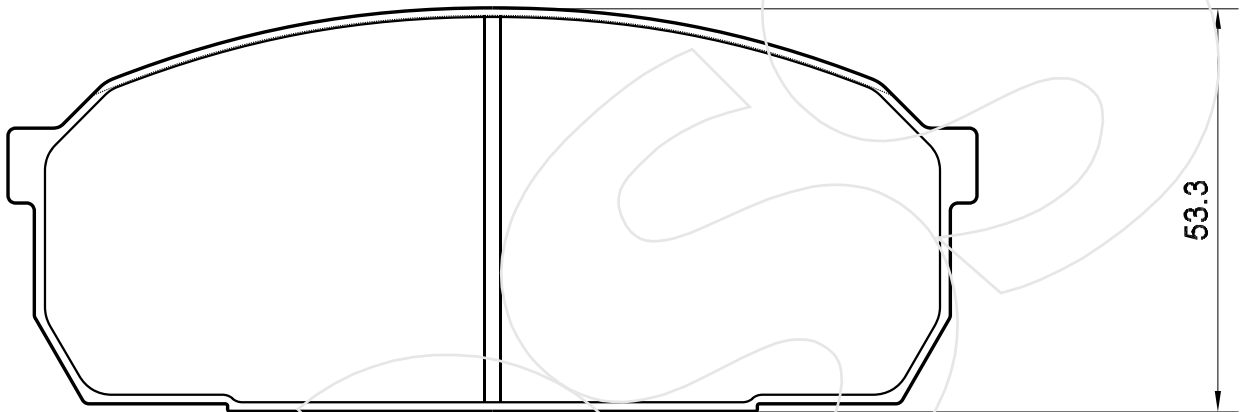
Reference in this Catalogue to other manufactures and to part numbers and other descriptions are for identification purposes only, because the above DISC BRAKE PADS are NOT ORIGINAL but with these interchangeable.

CODICE	IMPIANTO	ASSE	SCALA	APPLICAZIONI
<b>R-755</b>	SUMITOMO	POSTERIORE	1:1	MITSUBISHI
CODICE COMPONENTI	N°	L(mm)	SERIE	
*	*	*	2 PEZZI TIPO A	
M0055	2	*	2 PEZZI TIPO B	
*	*	*	*	
*	*	*	*	
CODICE ACCESSORI	N°	L(mm)	NOTE	
*	*	*	*	
*	*	*	*	
*	*	*	*	
*	*	*	*	



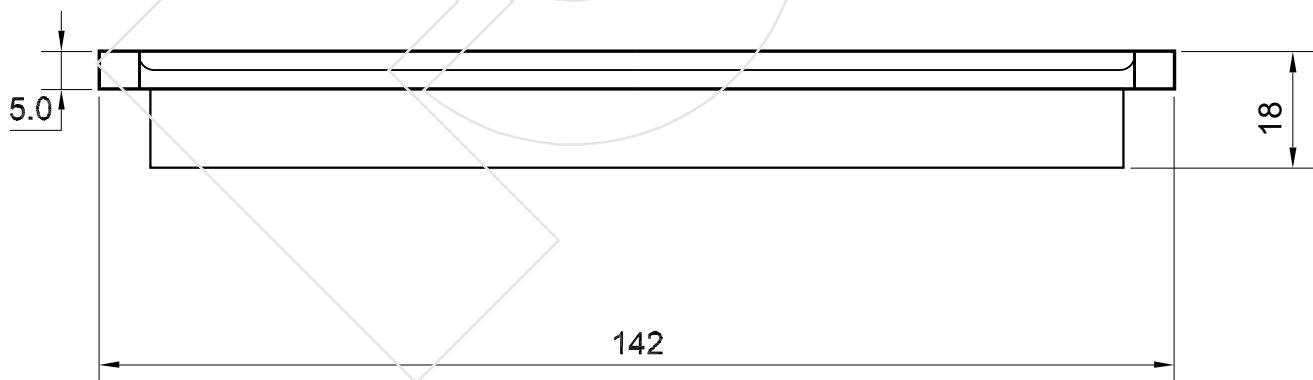
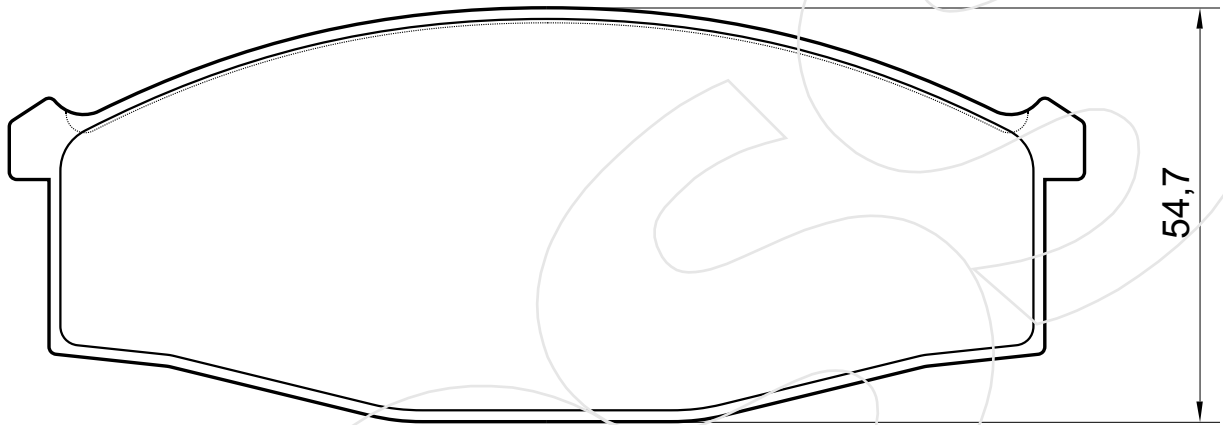
Reference in this Catalogue to other manufactures and to part numbers and other descriptions are for identification purposes only, because the above DISC BRAKE PADS are NOT ORIGINAL but with these interchangeable.

CODICE	IMPIANTO	ASSE	SCALA	APPLICAZIONI
<b>R-756</b>	SUMITOMO	ANTERIORE	1:1	MAZDA
CODICE COMPONENTI	N°	L(mm)	SERIE	
*	*	*	4 PEZZI	
*	*	*	*	
*	*	*	*	
*	*	*	*	
CODICE ACCESSORI	N°	L(mm)	NOTE	
*	*	*	*	
*	*	*	*	
*	*	*	*	
*	*	*	*	



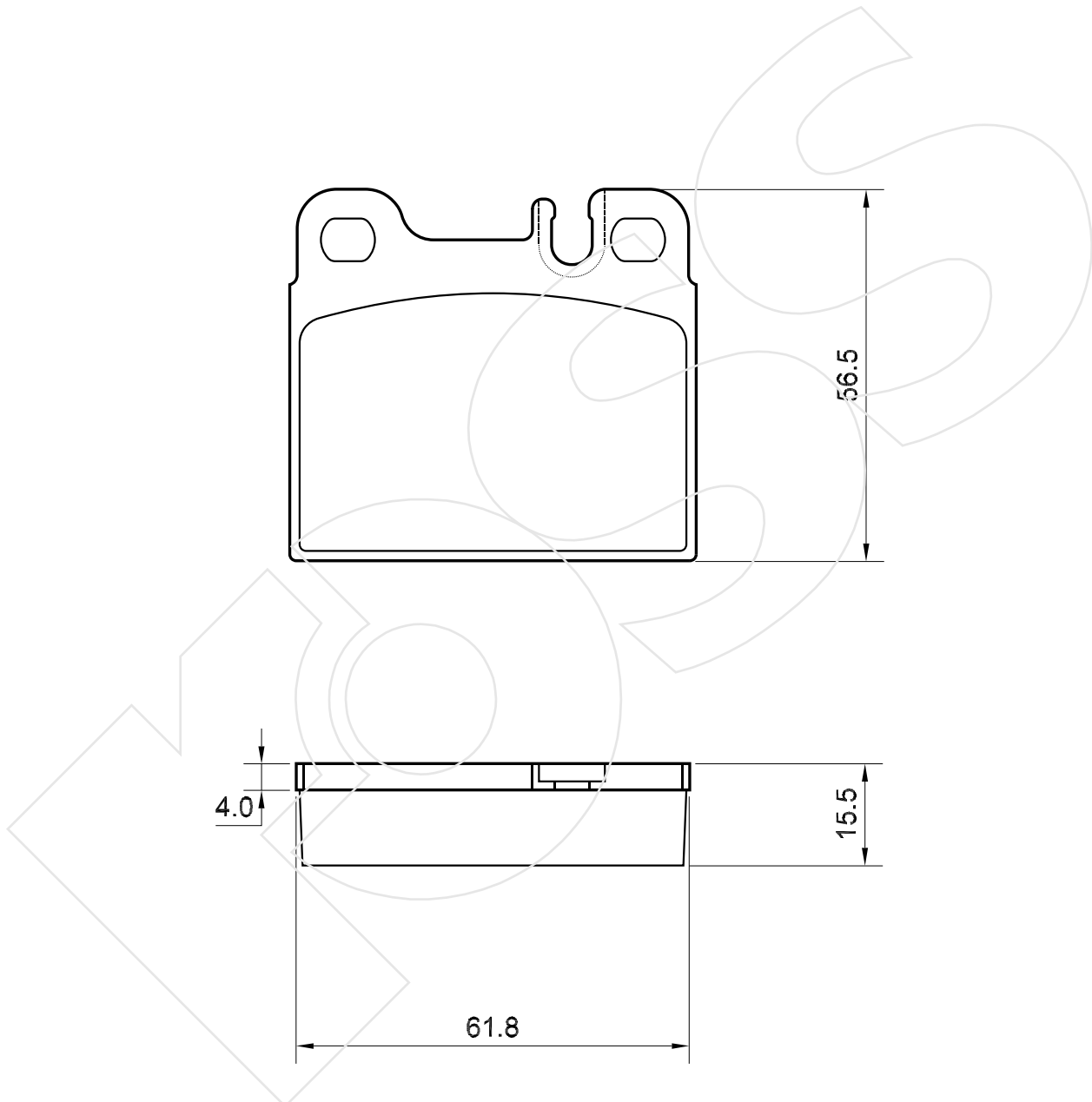
Reference in this Catalogue to other manufactures and to part numbers and other descriptions are for identification purposes only, because the above DISC BRAKE PADS are NOT ORIGINAL but with these interchangeable.

CODICE	IMPIANTO		ASSE	SCALA	APPLICAZIONI
<b>R-757</b>	AKEBONO		ANTERIORE	100%	NISSAN
CODICE COMPONENTI	N°	L(mm)	SERIE		
*	*	*	4 PEZZI		
*	*	*	*		
*	*	*	*		
*	*	*	*		
CODICE ACCESSORI	N°	L(mm)	NOTE		
*	*	*			
*	*	*			
*	*	*			



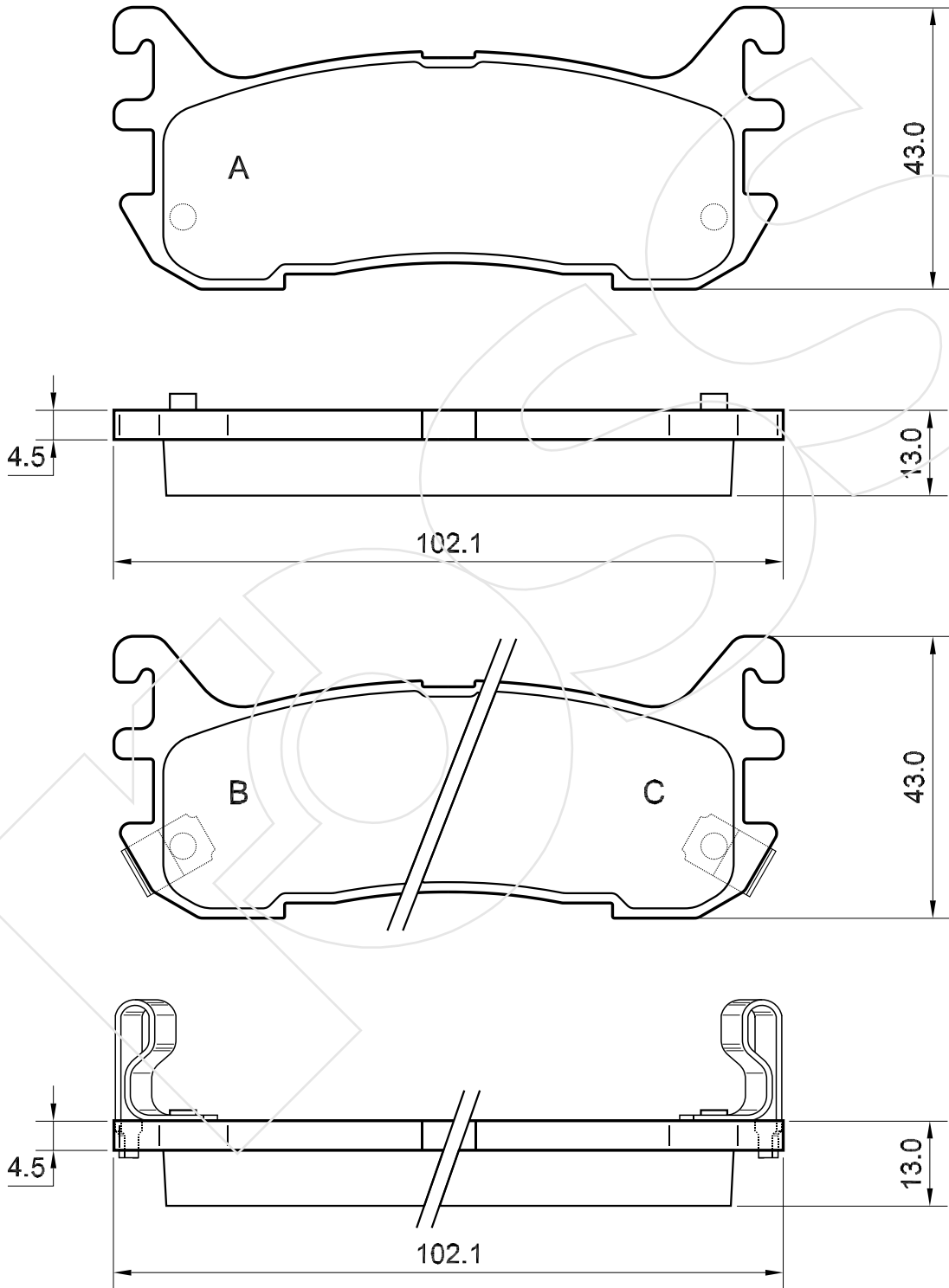
Reference in this Catalogue to other manufactures and to part numbers and other descriptions are for identification purposes only, because the above DISC BRAKE PADS are NOT ORIGINAL but with these interchangeable.

CODICE	IMPIANTO		ASSE	SCALA	APPLICAZIONI
<b>R-758</b>	ATE		POSTERIORE	100%	MERCEDES
CODICE COMPONENTI	N°	L(mm)	SERIE		
*	*	*	4 PEZZI		
*	*	*	*		
*	*	*	*		
*	*	*	*		
CODICE ACCESSORI	N°	L(mm)	NOTE		
*	*	*			
*	*	*			
*	*	*			
*	*	*			



Reference in this Catalogue to other manufactures and to part numbers and other descriptions are for identification purposes only, because the above DISC BRAKE PADS are NOT ORIGINAL but with these interchangeable.

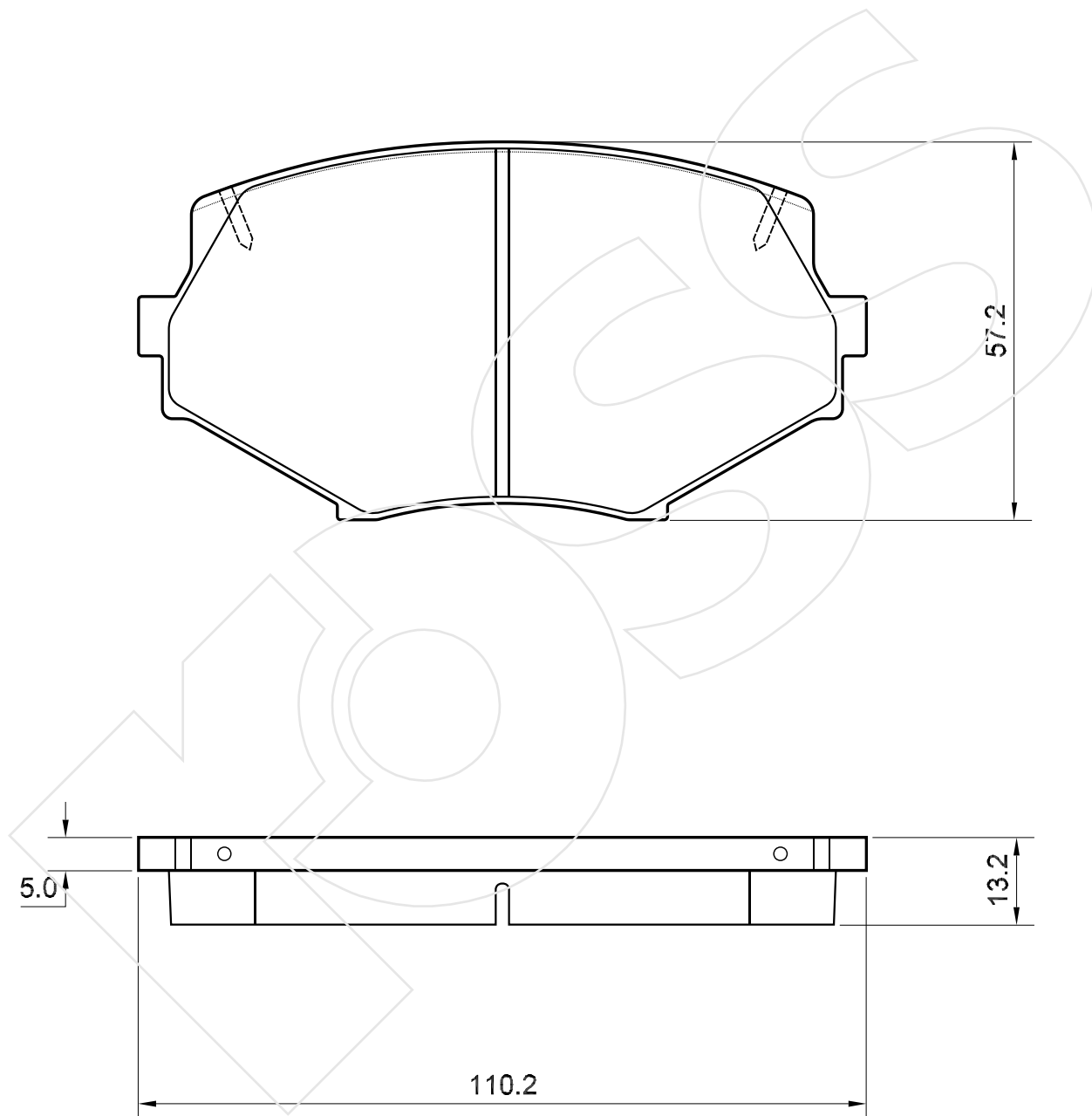
CODICE	IMPIANTO		ASSE	SCALA	APPLICAZIONI
<b>R-759</b>	AKEBONO		POSTERIORE	100%	MAZDA
CODICE COMPONENTI	N°	L(mm)	SERIE		
*	*	*	2 PEZZI TIPO A		
M0153	1	*	1 PEZZO TIPO B		
M0153	1	*	1 PEZZO TIPO C		
*	*	*	*		
CODICE ACCESSORI	N°	L(mm)	NOTE		
*	*	*			
*	*	*			
*	*	*			
*	*	*			



Reference in this Catalogue to other manufactures and to part numbers and other descriptions are for identification purposes only, because the above DISC BRAKE PADS are NOT ORIGINAL but with these interchangeable.

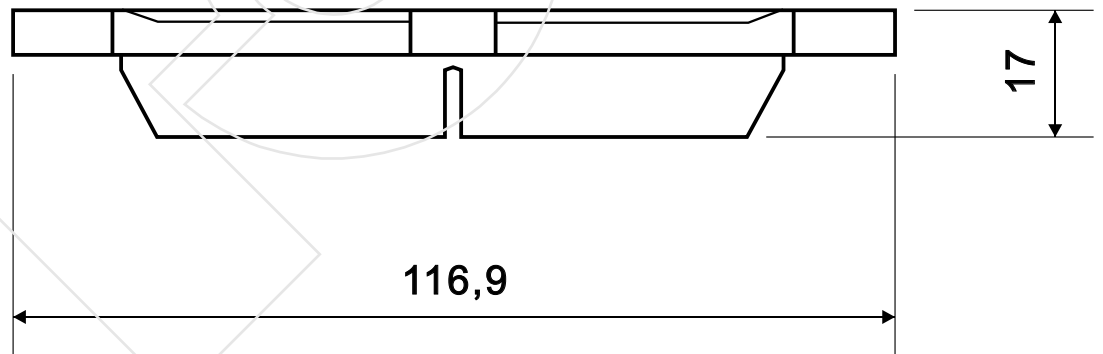
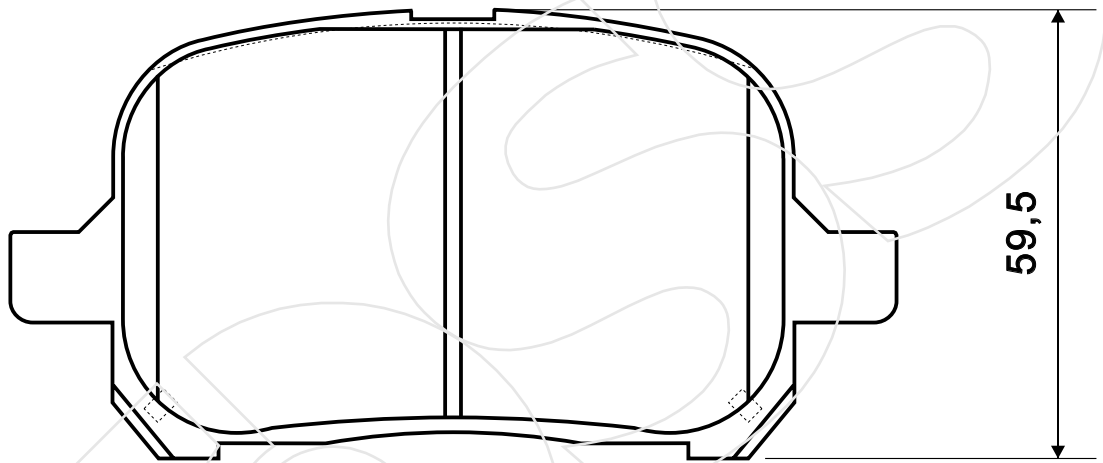


CODICE	IMPIANTO		ASSE	SCALA	APPLICAZIONI
<b>R-760</b>	SUMITOMO		ANTERIORE	100%	MAZDA
CODICE COMPONENTI	N°	L(mm)	SERIE		
*	*	*	4 PEZZI		
*	*	*	*		
*	*	*	*		
*	*	*	*		
CODICE ACCESSORI	N°	L(mm)	NOTE		
*	*	*			
*	*	*			
*	*	*			
*	*	*			



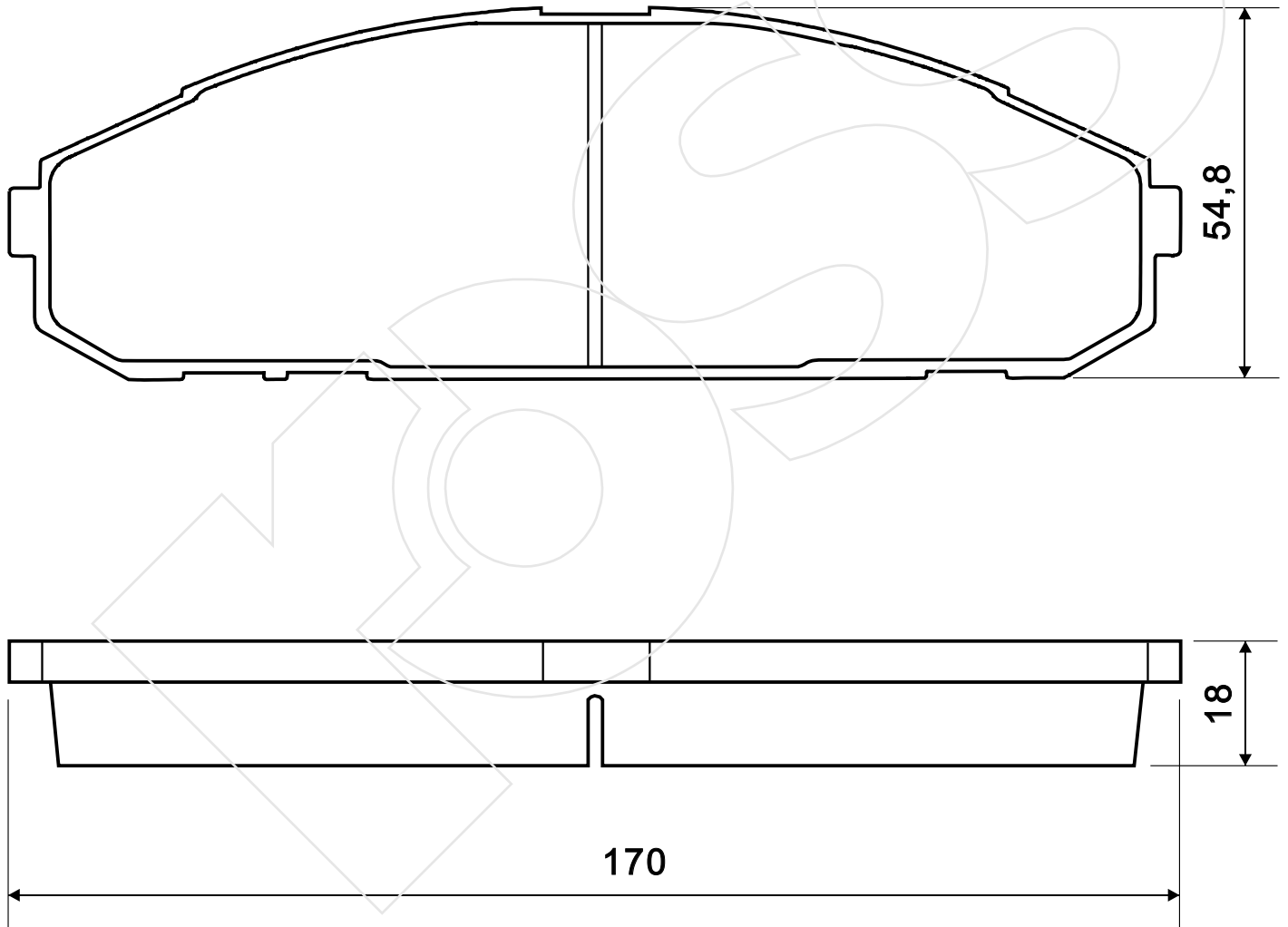
Reference in this Catalogue to other manufactures and to part numbers and other descriptions are for identification purposes only, because the above DISC BRAKE PADS are NOT ORIGINAL but with these interchangeable.

CODICE	IMPIANTO		ASSE	SCALA	APPLICAZIONI
<b>R-761</b>			ANTERIORE	1:1	TOYOTA
CODICE COMPONENTI	N°	L(mm)	SERIE		
*	*	*	4 PEZZI		
*	*				
*	*				
CODICE ACCESSORI	N°	L(mm)	NOTE		
*	*				
*	*				
*	*				
*	*				



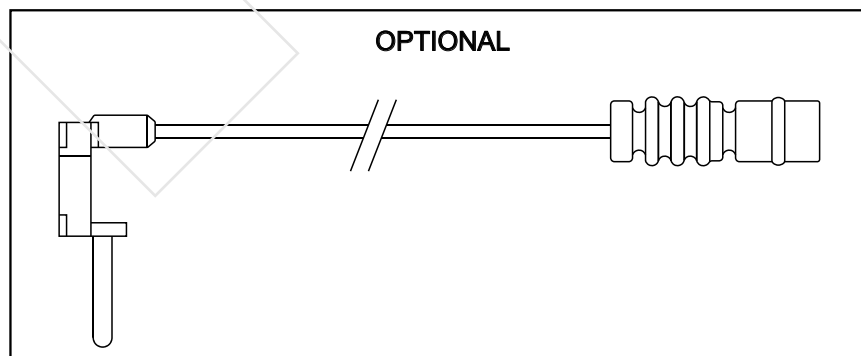
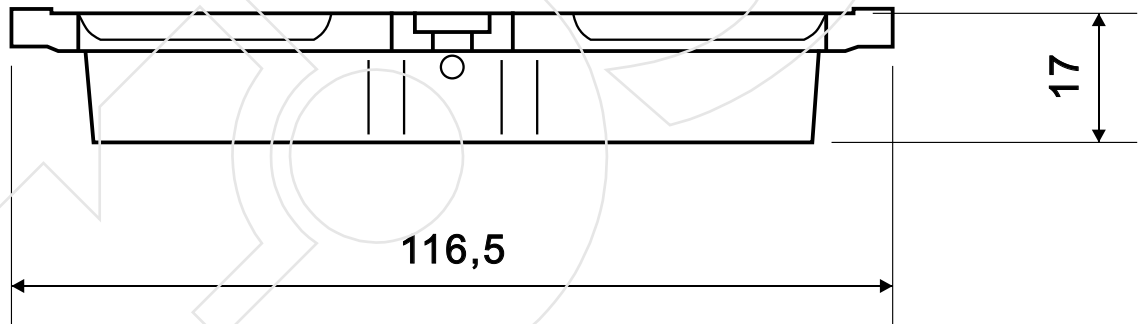
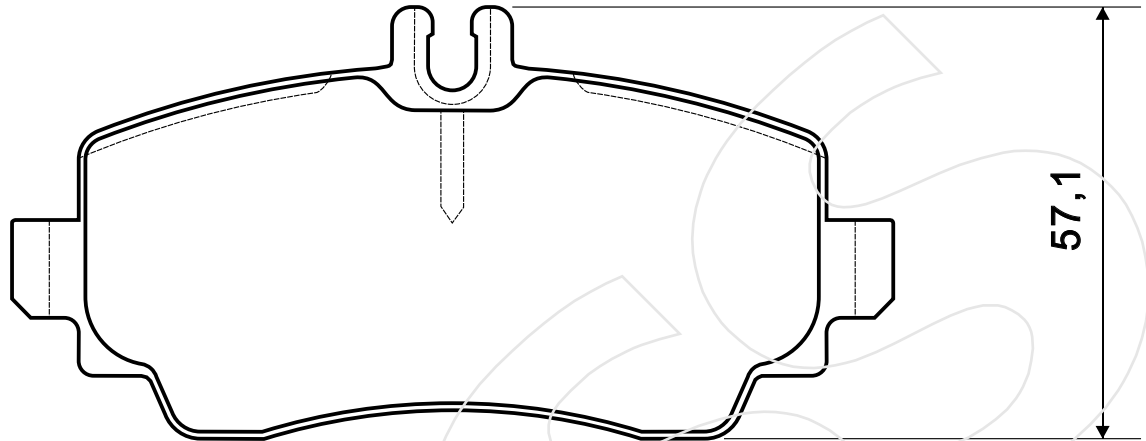
Reference in this Catalogue to other manufactures and to part numbers and other descriptions are for identification purposes only, because the above DISC BRAKE PADS are NOT ORIGINAL but with these interchangeable.

CODICE	IMPIANTO	ASSE	SCALA	APPLICAZIONI
<b>R-762</b>	SUMITOMO	ANTERIORE	1:1	NISSAN
CODICE COMPONENTI	N°	L(mm)	SERIE	
*	*	*	4 PEZZI	
*	*			
*	*			
CODICE ACCESSORI	N°	L(mm)	NOTE	
*	*			
*	*			
*	*			



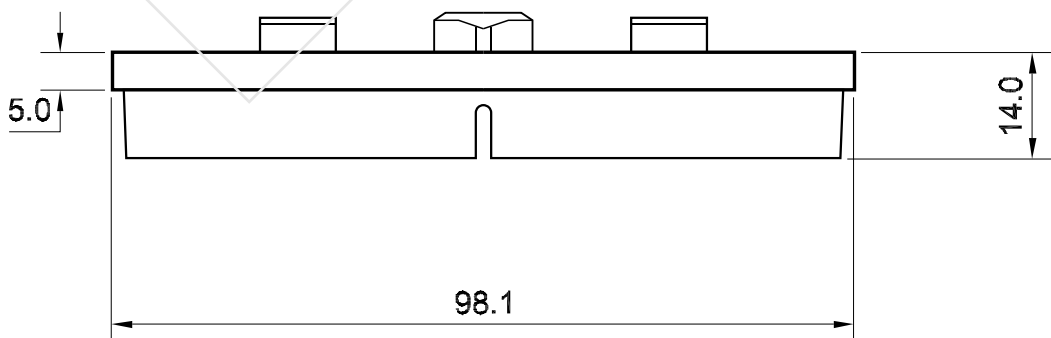
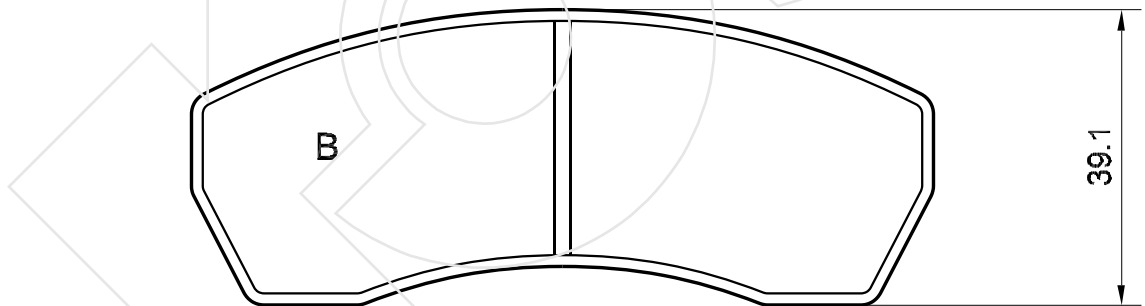
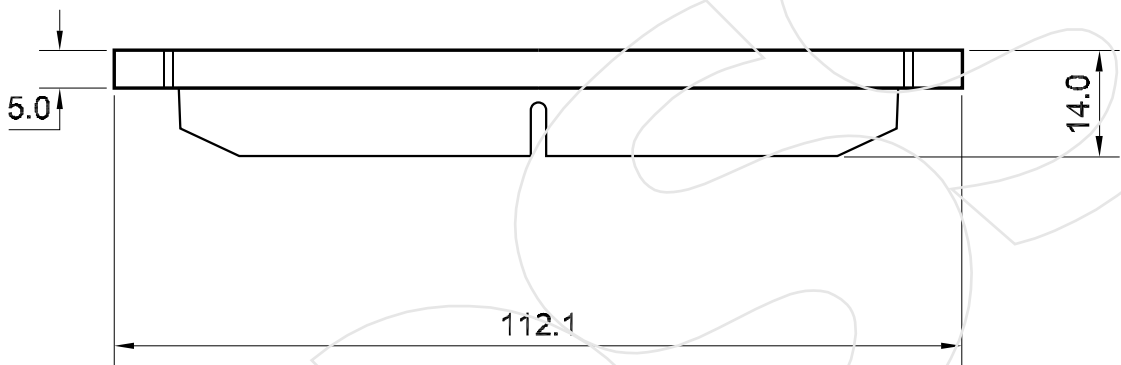
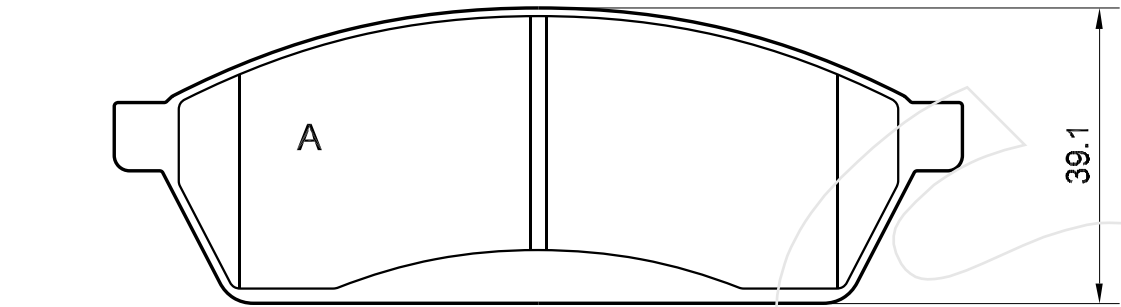
Reference in this Catalogue to other manufactures and to part numbers and other descriptions are for identification purposes only, because the above DISC BRAKE PADS are NOT ORIGINAL but with these interchangeable.

CODICE	IMPIANTO		ASSE	SCALA	APPLICAZIONI
<b>R-763</b>	GIRLING		ANTERIORE	1:1	MERCEDES
CODICE COMPONENTI	N°	L(mm)	SERIE		
*	*	*	4 PEZZI		
*	*				
*	*				
OPTIONAL	N°	L(mm)	NOTE		
F3082	2	130			
*	*				
*	*				
*	*				



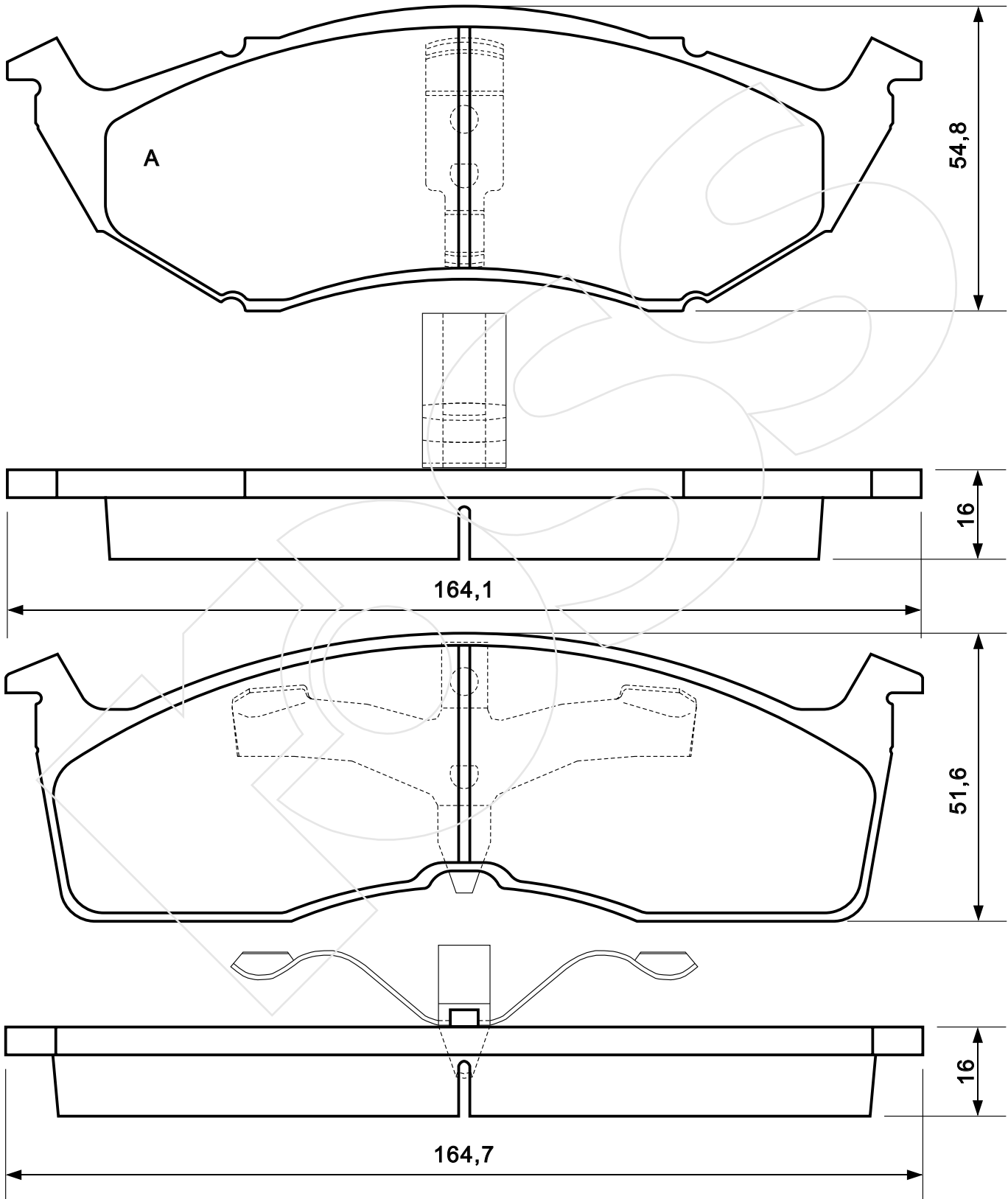
Reference in this Catalogue to other manufactures and to part numbers and other descriptions are for identification purposes only, because the above DISC BRAKE PADS are NOT ORIGINAL but with these interchangeable.

CODICE	IMPIANTO		ASSE	SCALA	APPLICAZIONI
<b>R-764</b>	*		ANTERIORE	100%	SUBARU
CODICE COMPONENTI	N°	L(mm)	SERIE		
*	*	*	2 PEZZI TIPO A		
*	*	*	2 PEZZI TIPO B		
*	*	*	*		
*	*	*	*		
OPTIONAL	N°	L(mm)	NOTE		
*	*	*	*		
*	*	*	*		
*	*	*	*		
*	*	*	*		



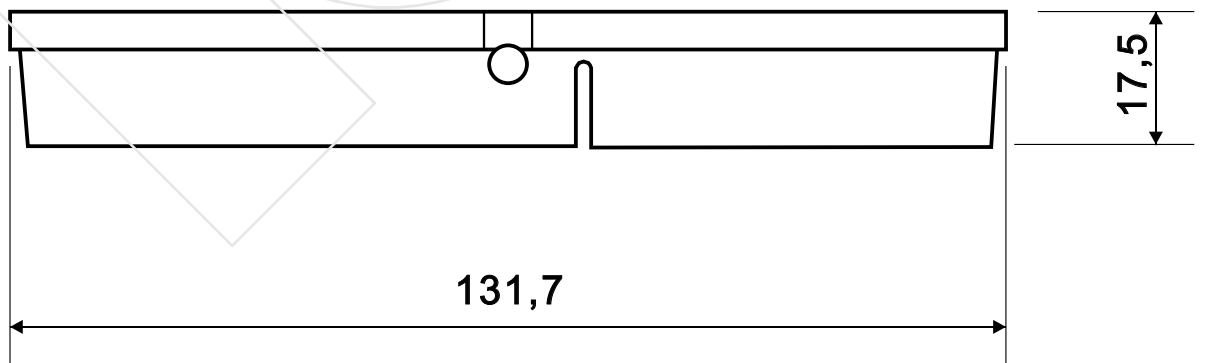
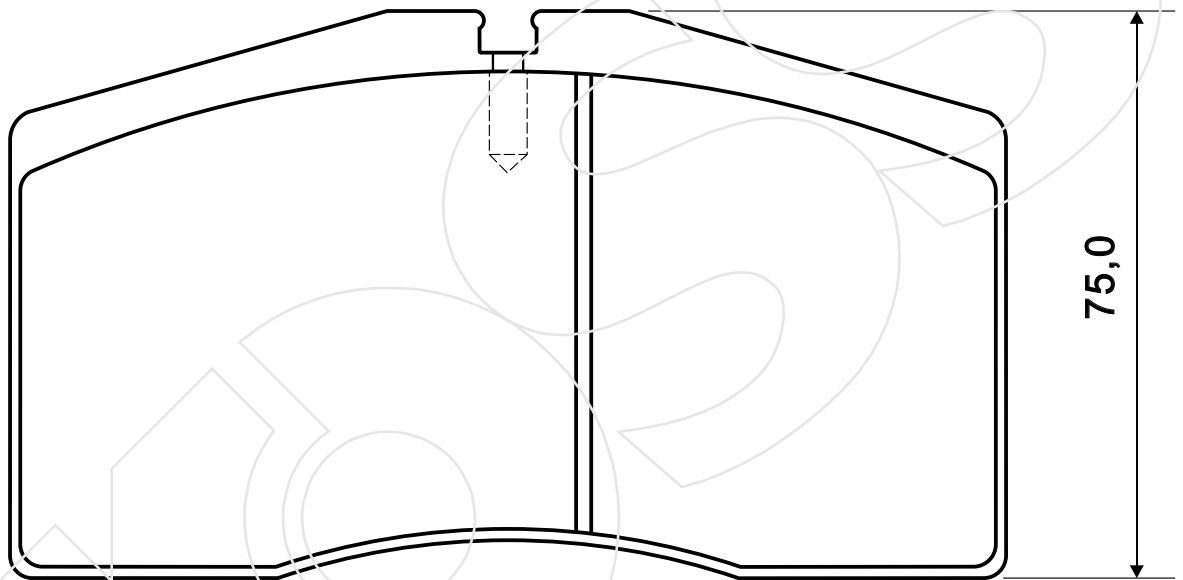
Reference in this Catalogue to other manufactures and to part numbers and other descriptions are for identification purposes only, because the above DISC BRAKE PADS are NOT ORIGINAL but with these interchangeable.

CODICE	IMPIANTO		ASSE	SCALA	APPLICAZIONI
<b>R-765</b>	*		ANTERIORE	1:1	FORD USA
CODICE COMPONENTI	N°	L(mm)	SERIE		
M0184	2	*	2 PEZZI	TIPO A	
M0185	2	*	2 PEZZI	TIPO B	
*	*	*			
CODICE ACCESSORI	N°	L(mm)	NOTE		
*	*	*			
*	*	*			
*	*	*			



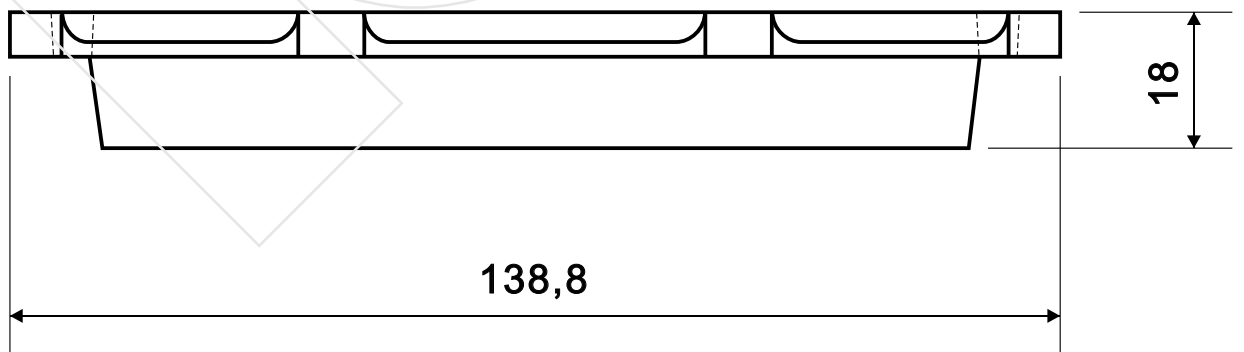
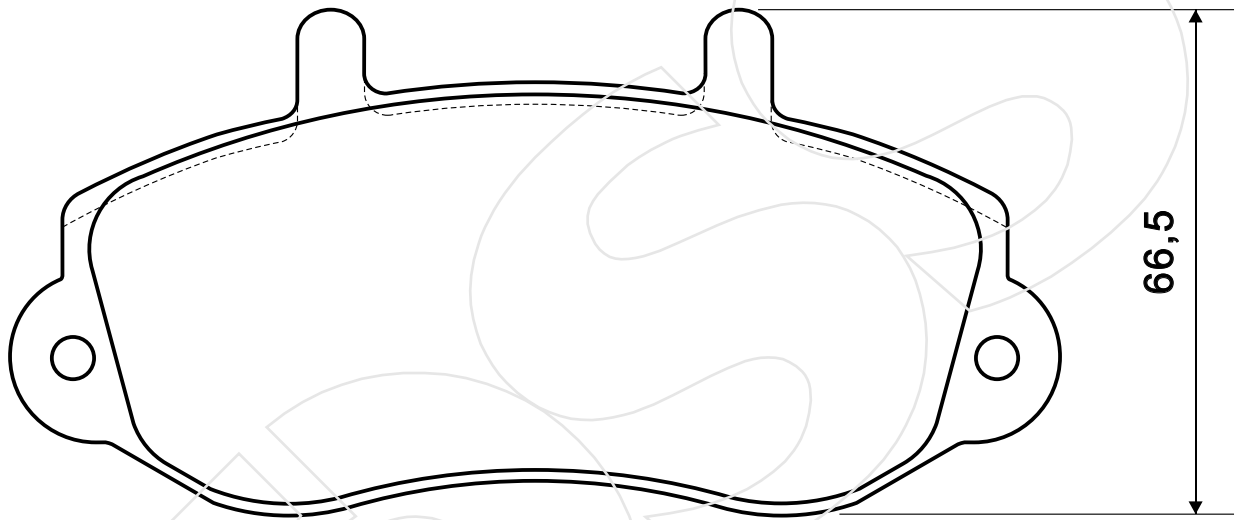
Reference in this Catalogue to other manufactures and to part numbers and other descriptions are for identification purposes only, because the above DISC BRAKE PADS are NOT ORIGINAL but with these interchangeable.

CODICE	IMPIANTO	ASSE	SCALA	APPLICAZIONI
<b>R-766</b>	ATE	ANTERIORE	1:1	PORSCHE
CODICE COMPONENTI	N°	L(mm)	SERIE	
*	*	*	4 PEZZI	
*	*			
*	*			
CODICE ACCESSORI	N°	L(mm)	NOTE	
*	*			
*	*			
*	*			
*	*			



Reference in this Catalogue to other manufactures and to part numbers and other descriptions are for identification purposes only, because the above DISC BRAKE PADS are NOT ORIGINAL but with these interchangeable.

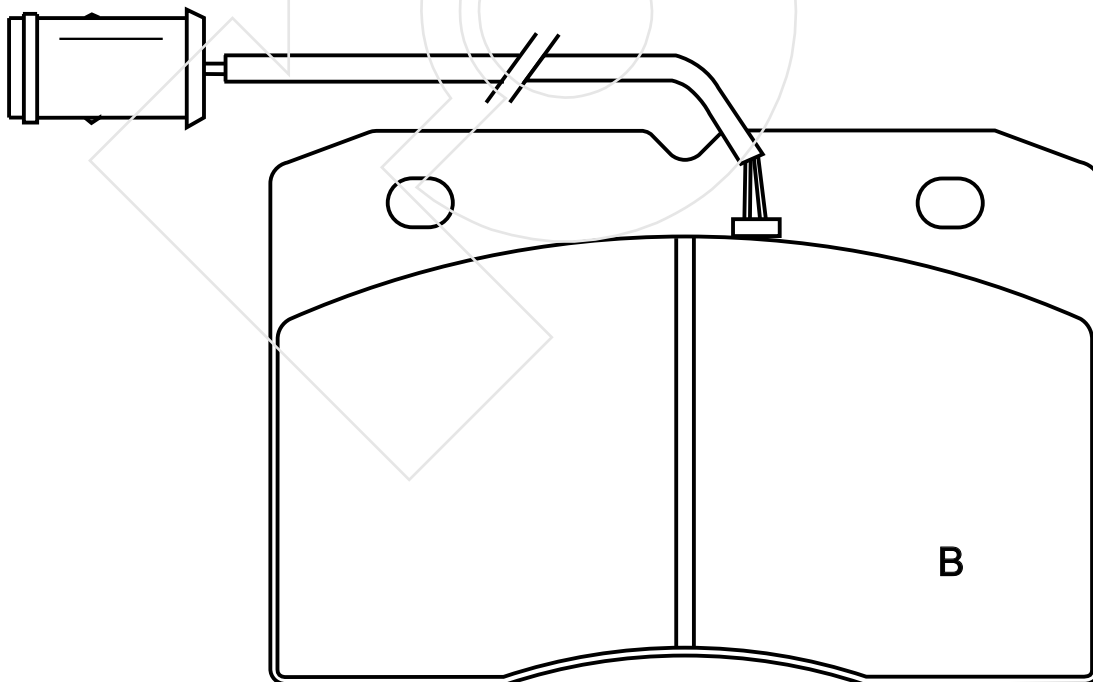
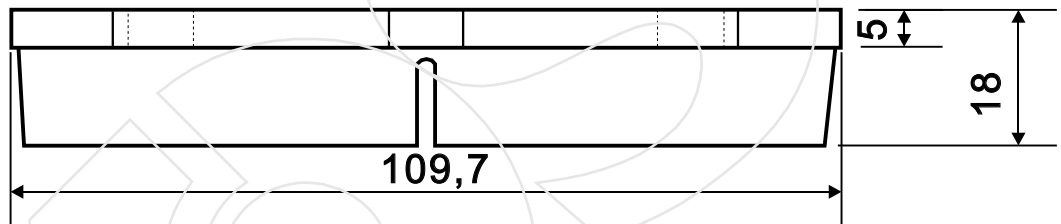
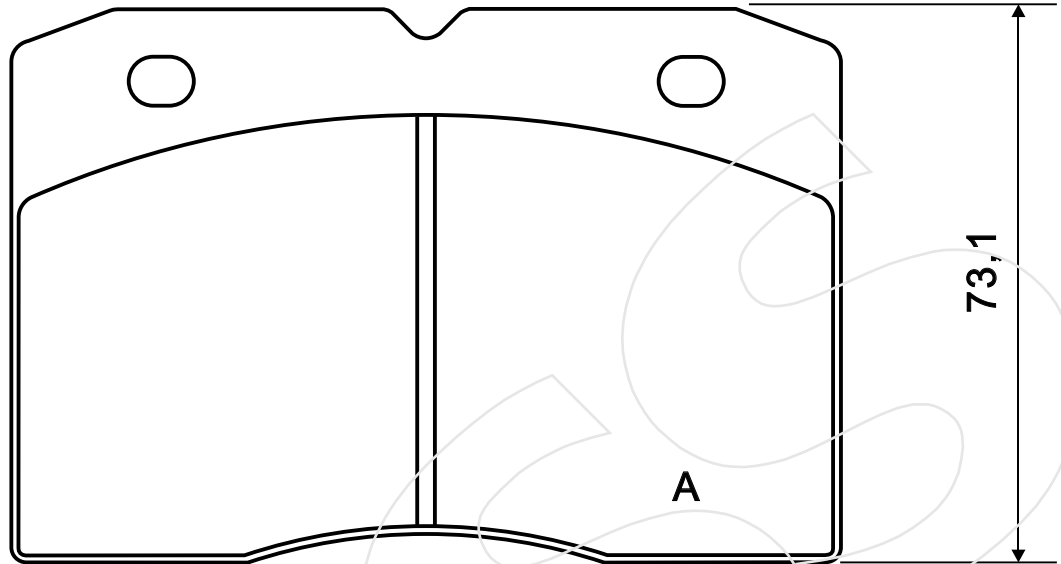
CODICE	IMPIANTO		ASSE	SCALA	APPLICAZIONI
<b>R-767</b>			ANTERIORE	1:1	RENAULT
CODICE COMPONENTI	N°	L(mm)	SERIE		
*	*	*	4 PEZZI		
*	*				
*	*				
CODICE ACCESSORI	N°	L(mm)	NOTE		
*	*				
*	*				
*	*				
*	*				



Reference in this Catalogue to other manufactures and to part numbers and other descriptions are for identification purposes only, because the above DISC BRAKE PADS are NOT ORIGINAL but with these interchangeable.

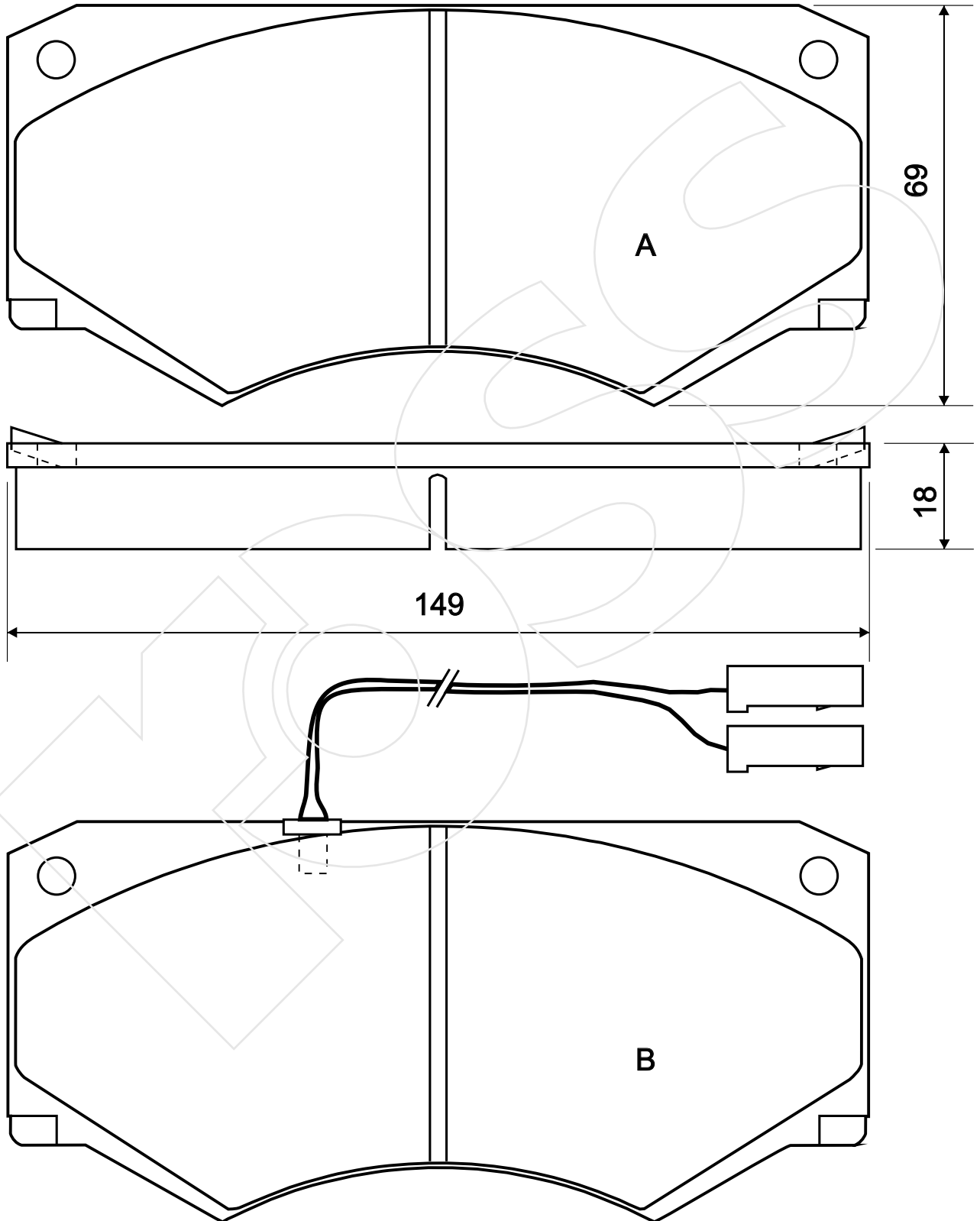


CODICE	IMPIANTO	ASSE	SCALA	APPLICAZIONI
<b>R-768</b>	BREMBO	ANTERIORE	1:1	IVECO FIAT
CODICE COMPONENTI	N°	L(mm)	SERIE	
*	*		2 PEZZI TIPO A	
F 3030	2	440	2 PEZZI TIPO B	
*	*			
CODICE ACCESSORI	N°	L(mm)	NOTE	
*	*		*	
*	*		*	
*	*		*	
*	*		*	



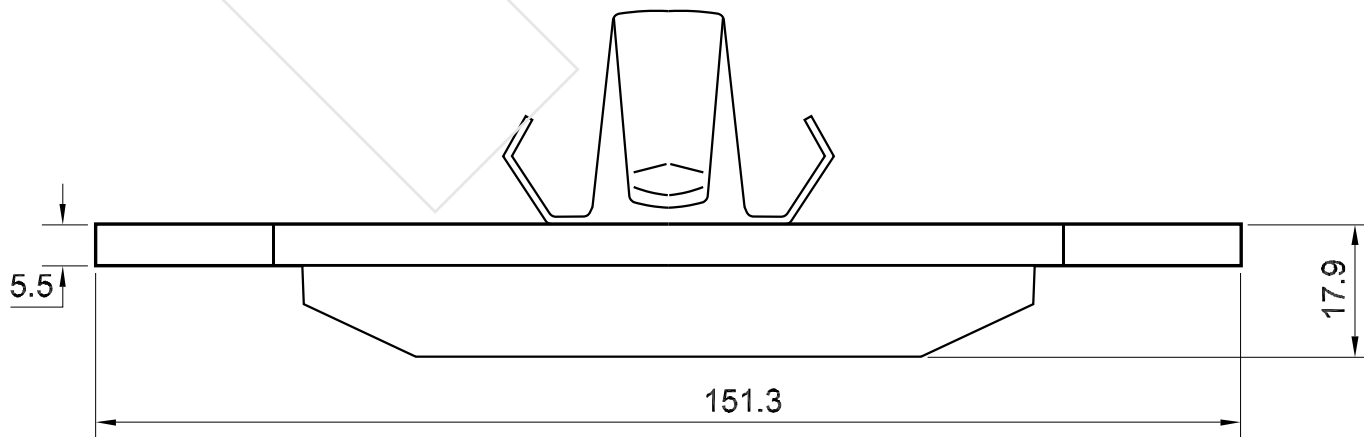
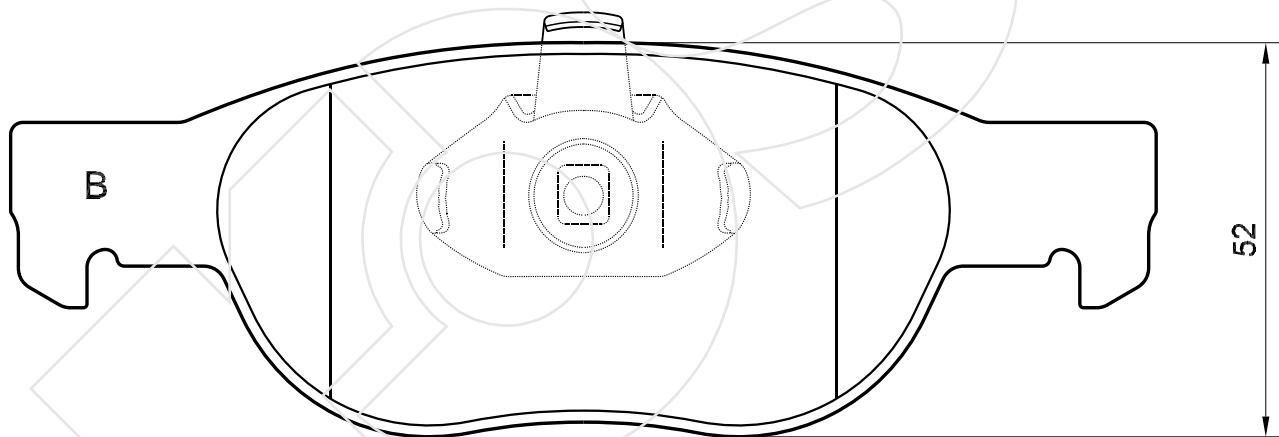
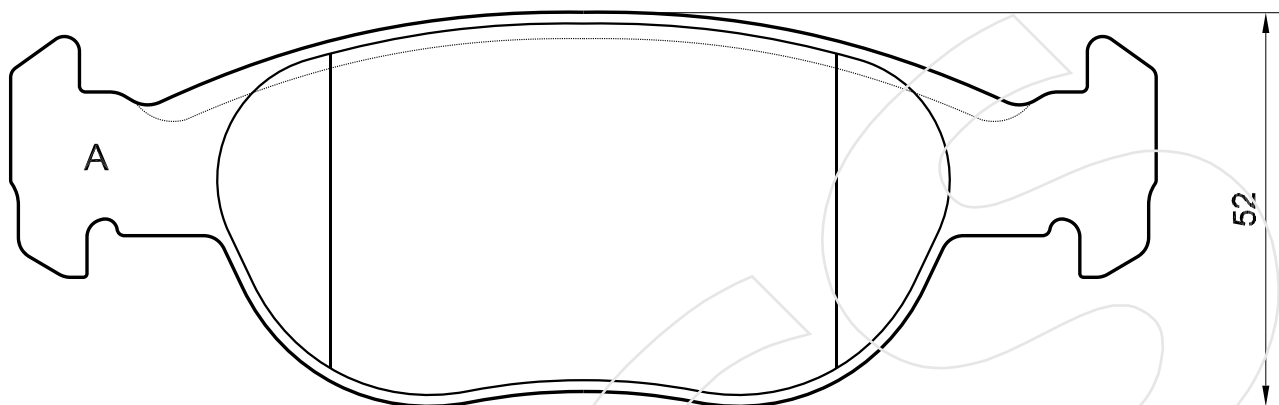
Reference in this Catalogue to other manufactures and to part numbers and other descriptions are for identification purposes only, because the above DISC BRAKE PADS are NOT ORIGINAL but with these interchangeable.

CODICE	IMPIANTO	ASSE	SCALA	APPLICAZIONI
<b>R-769</b>	PERROT	ANTERIORE	1:1	IVECO FIAT
CODICE COMPONENTI	N°	L(mm)	SERIE	
*	*	*	2 PEZZI TIPO A	
F 3026	2	750	2 PEZZI TIPO B	
*	*	*	*	
CODICE ACCESSORI	N°	L(mm)	NOTE	
*	*	*	*	
*	*	*	*	
*	*	*	*	
*	*	*	*	



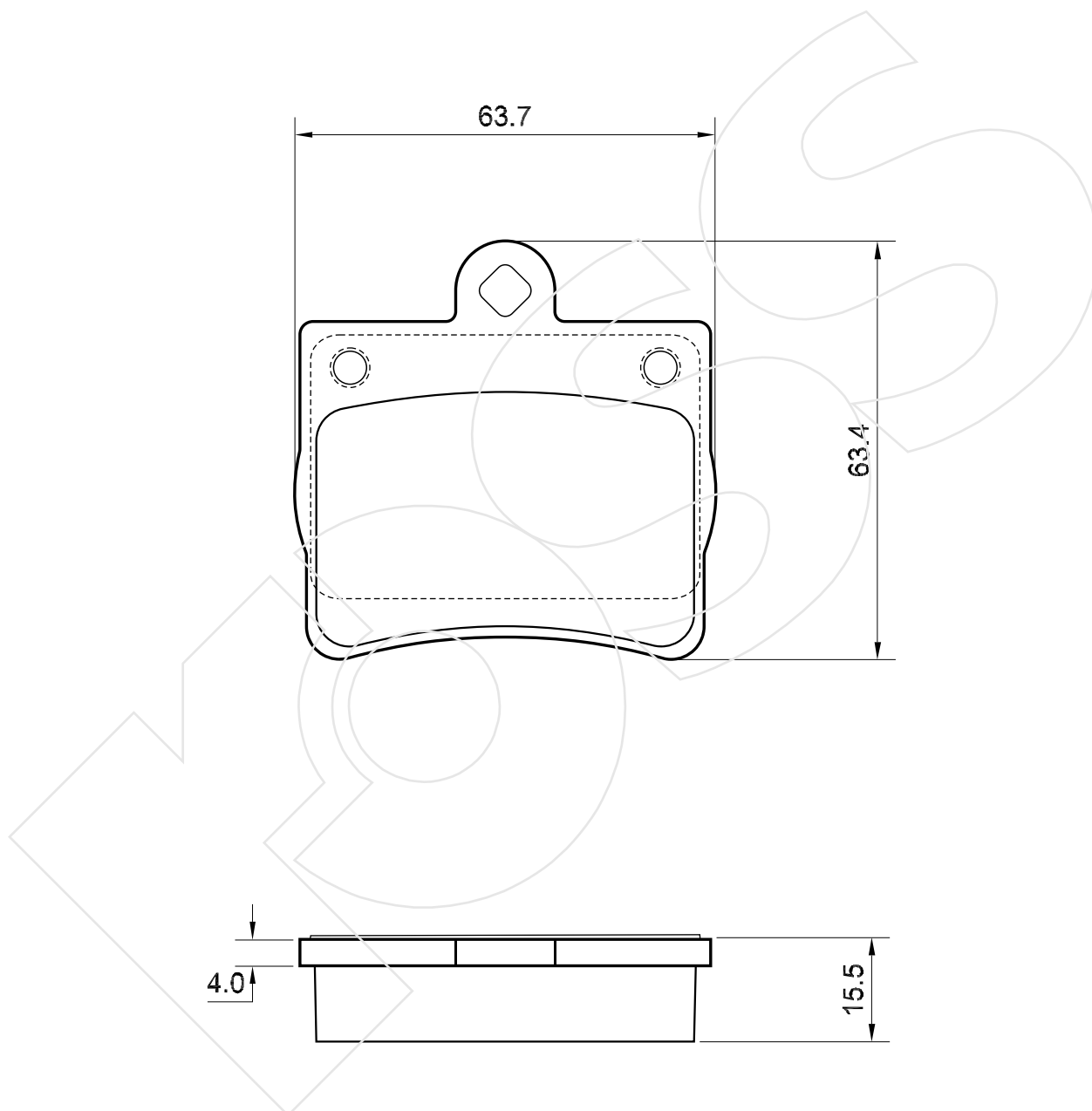
Reference in this Catalogue to other manufactures and to part numbers and other descriptions are for identification purposes only, because the above DISC BRAKE PADS are NOT ORIGINAL but with these interchangeable.

CODICE	IMPIANTO		ASSE	SCALA	APPLICAZIONI
<b>R-770</b>	ATE		ANTERIORE	100%	FIAT LANCIA
CODICE COMPONENTI	N°	L(mm)	SERIE		
*	*	*	2 PEZZI TIPO A		
M0146	2	*	2 PEZZI TIPO B		
*	*	*	*		
*	*	*	*		
CODICE ACCESSORI	N°	L(mm)	NOTE		
*	*	*			
*	*	*			
*	*	*			
*	*	*			



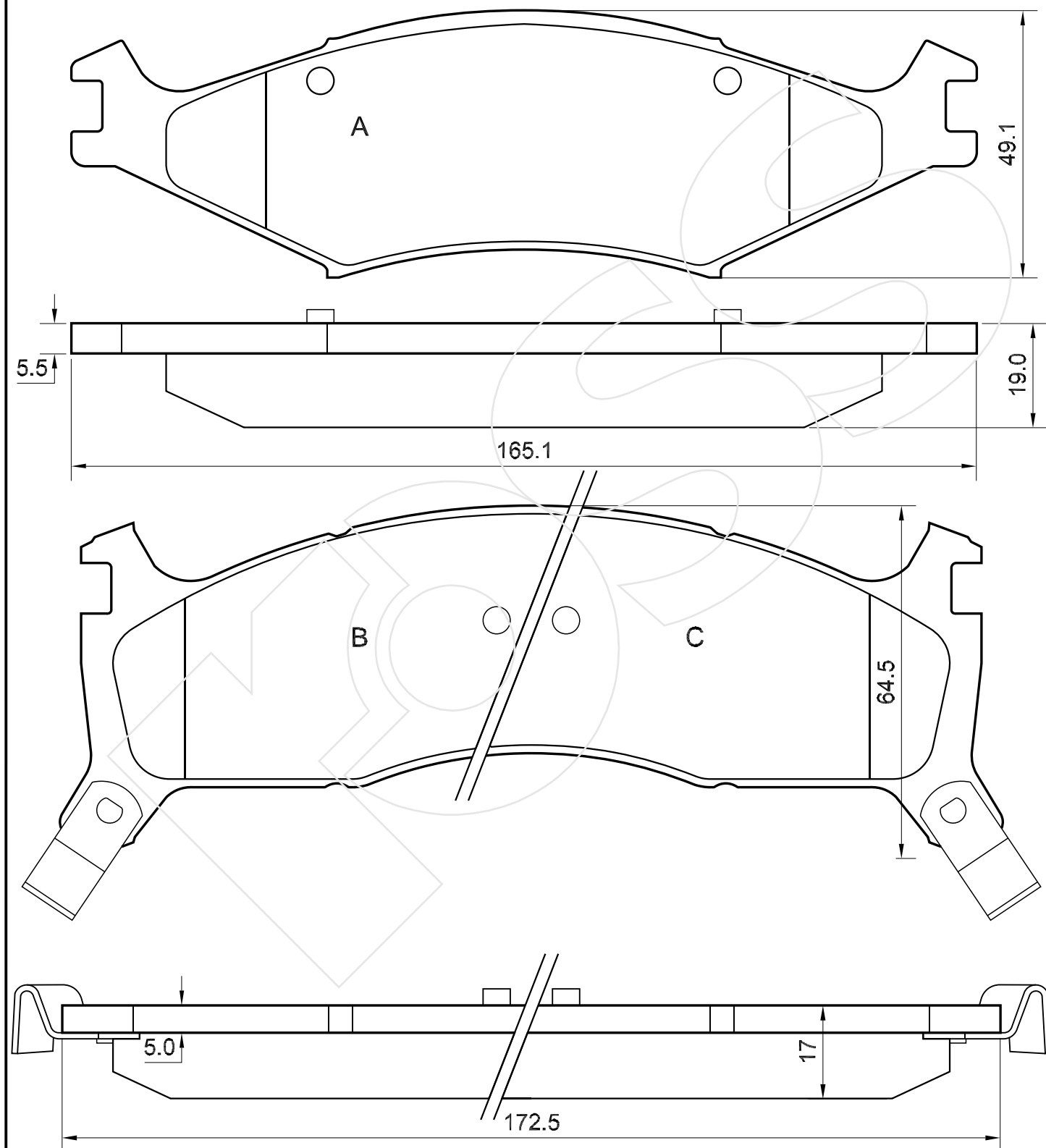
Reference in this Catalogue to other manufactures and to part numbers and other descriptions are for identification purposes only, because the above DISC BRAKE PADS are NOT ORIGINAL but with these interchangeable.

CODICE	IMPIANTO	ASSE	SCALA	APPLICAZIONI
<b>R-771</b>	ATE	POSTERIORE	100%	MERCEDES
CODICE COMPONENTI	N°	L(mm)	SERIE	
A00	4	*	4 PEZZI	
*	*	*	*	
*	*	*	*	
*	*	*	*	
CODICE ACCESSORI	N°	L(mm)	NOTE	
*	*	*		
*	*	*		
*	*	*		
*	*	*		



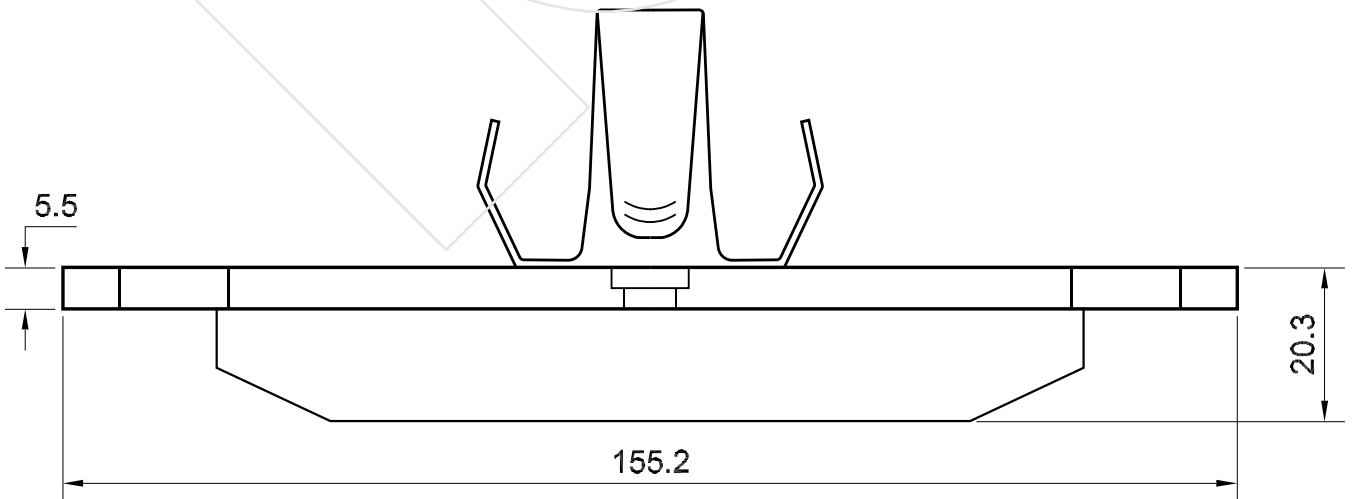
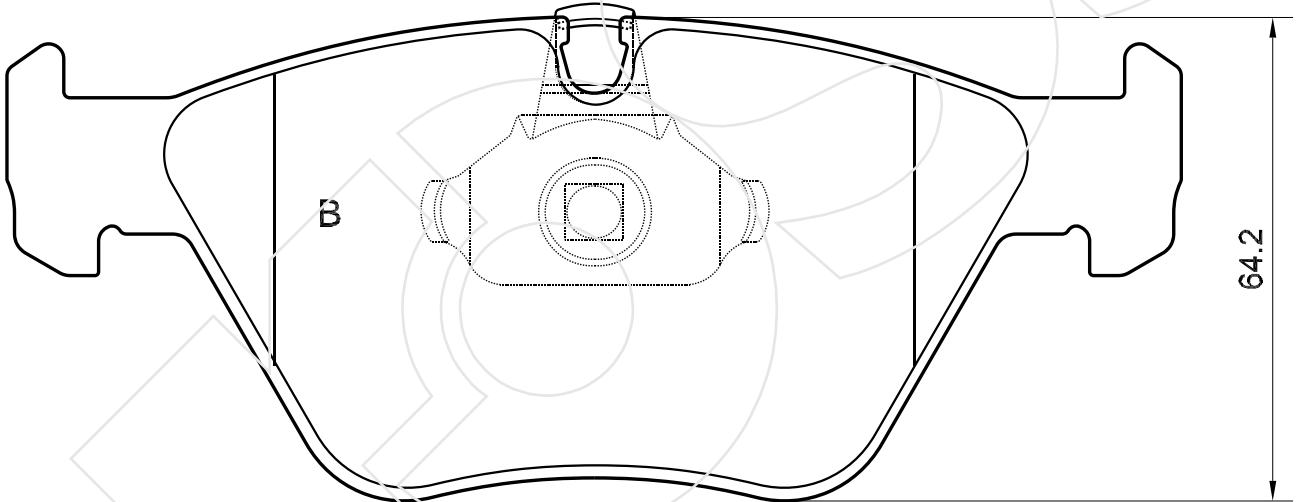
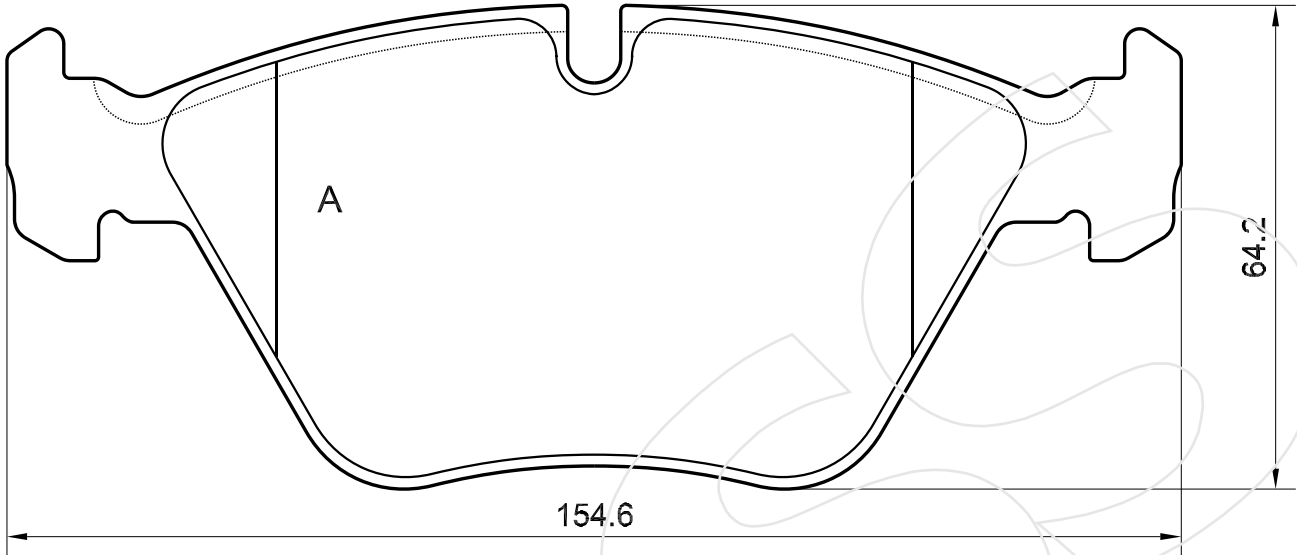
Reference in this Catalogue to other manufactures and to part numbers and other descriptions are for identification purposes only, because the above DISC BRAKE PADS are NOT ORIGINAL but with these interchangeable.

CODICE	IMPIANTO		ASSE	SCALA	APPLICAZIONI
<b>R-772</b>	KELSEY-HAYES		ANTERIORE	100%	KIA
CODICE COMPONENTI	N°	L(mm)	SERIE		
*	*	*	2 PEZZI TIPO A		
M0183	1	*	1 PEZZO TIPO B		
M0183	1	*	1 PEZZO TIPO C		
*	*	*	*		
CODICE ACCESSORI	N°	L(mm)	NOTE		
*	*	*			
*	*	*			
*	*	*			
*	*	*			



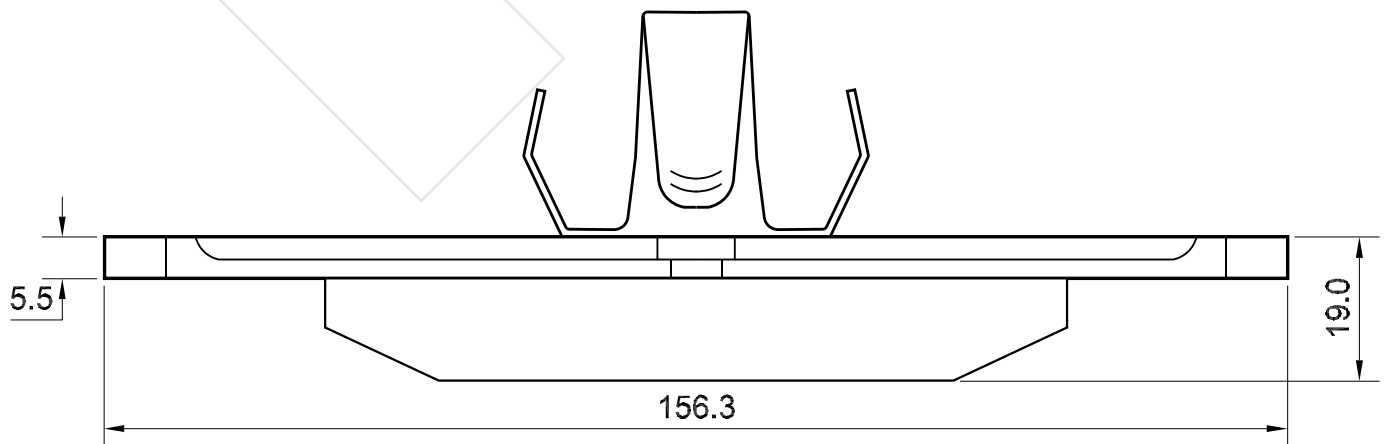
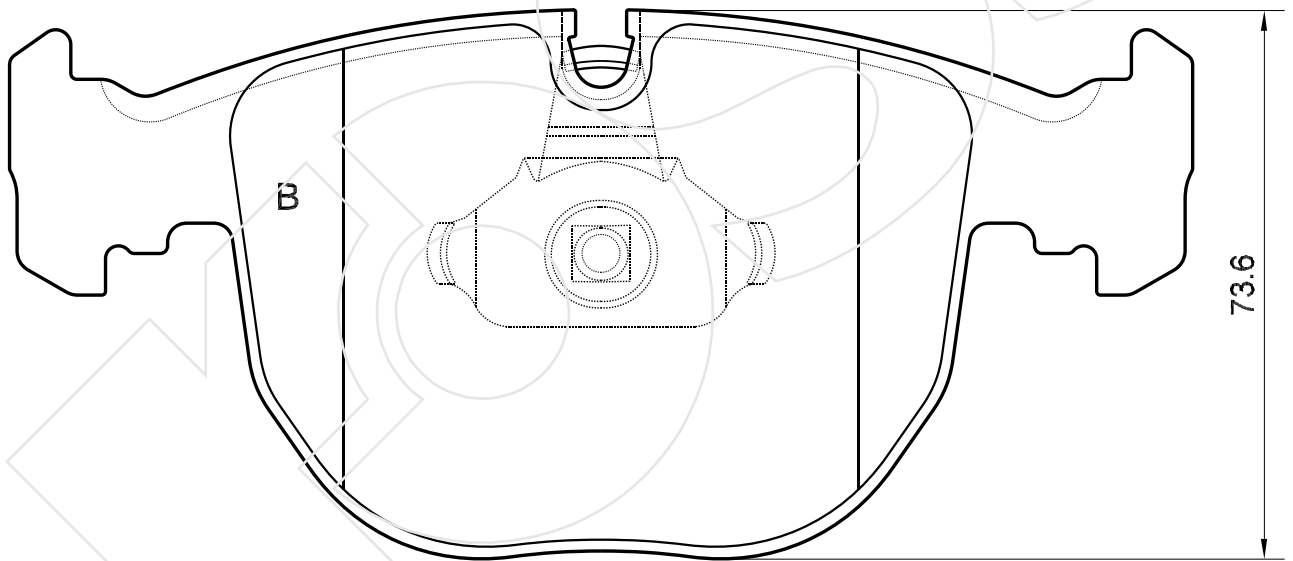
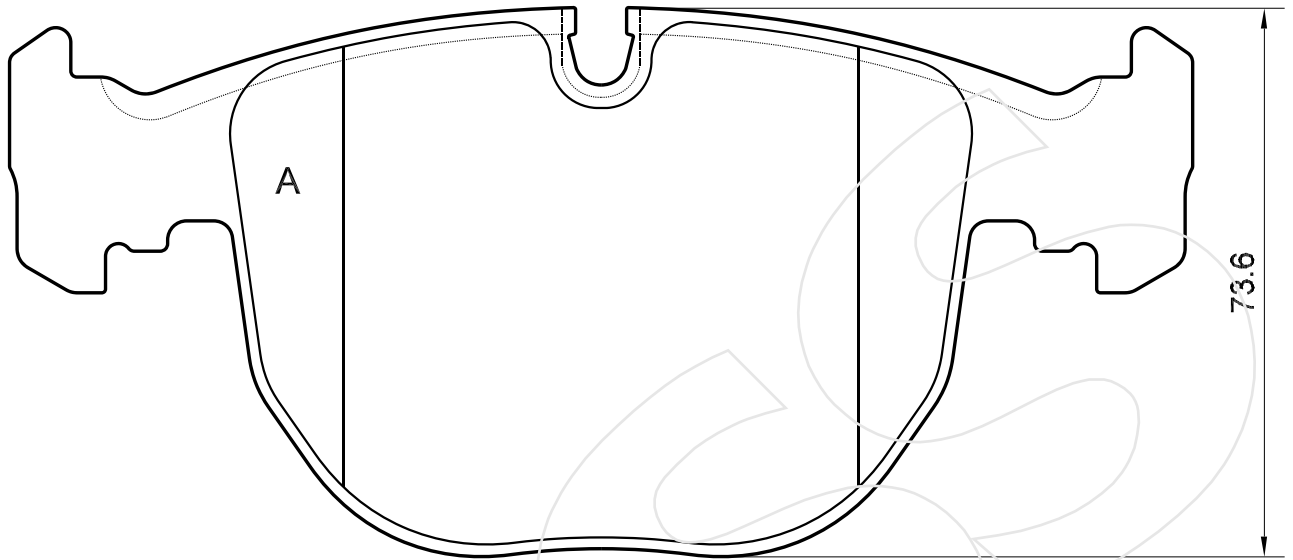
Reference in this Catalogue to other manufactures and to part numbers and other descriptions are for identification purposes only, because the above DISC BRAKE PADS are NOT ORIGINAL but with these interchangeable.

CODICE	IMPIANTO		ASSE	SCALA	APPLICAZIONI
<b>R-773</b>	ATE		ANTERIORE	100%	B.M.W.
CODICE COMPONENTI	N°	L(mm)	SERIE		
*	*	*	2 PEZZI TIPO A		
M0144	2	*	2 PEZZI TIPO B		
*	*	*	*		
*	*	*	*		
CODICE ACCESSORI	N°	L(mm)	NOTE		
*	*	*			
*	*	*			
*	*	*			
*	*	*			



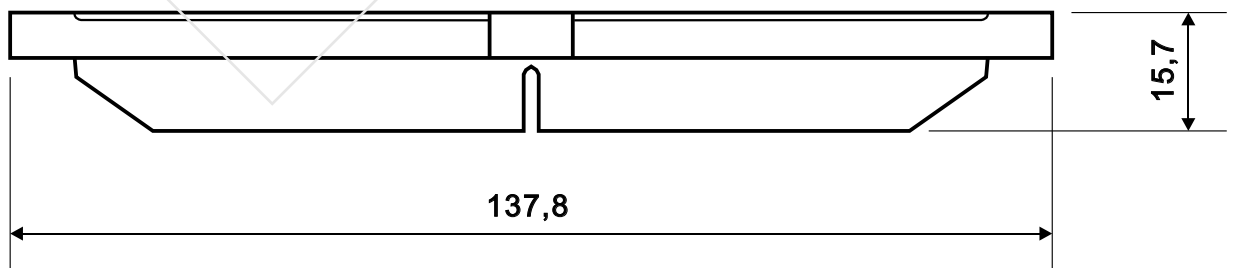
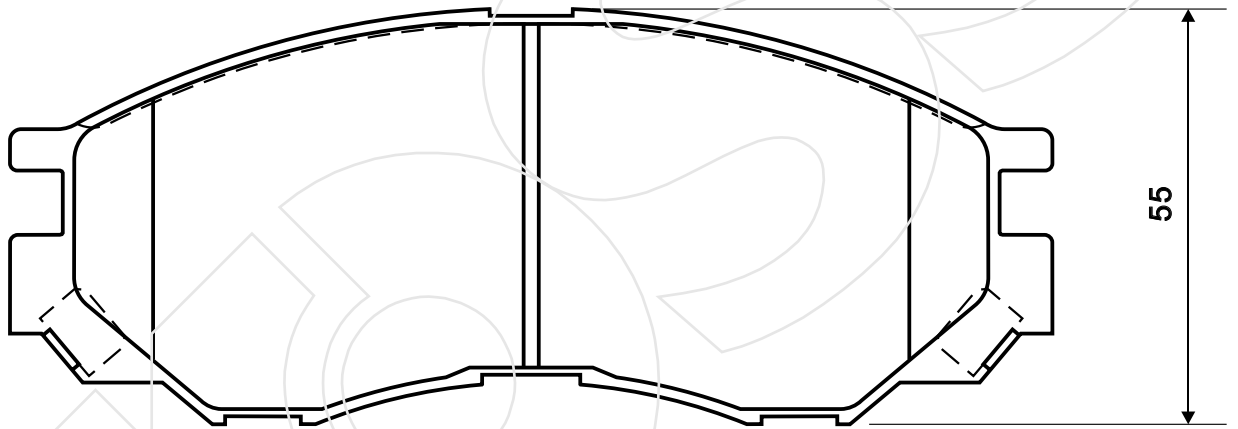
Reference in this Catalogue to other manufactures and to part numbers and other descriptions are for identification purposes only, because the above DISC BRAKE PADS are NOT ORIGINAL but with these interchangeable.

CODICE	IMPIANTO		ASSE	SCALA	APPLICAZIONI
<b>R-774</b>	ATE		ANTERIORE	100%	B.M.W.
CODICE COMPONENTI	N°	L(mm)	SERIE		
*	*	*	2 PEZZI TIPO A		
M0130	2	*	2 PEZZI TIPO B		
*	*	*	*		
*	*	*	*		
CODICE ACCESSORI	N°	L(mm)	NOTE		
*	*	*			
*	*	*			
*	*	*			
*	*	*			



Reference in this Catalogue to other manufactures and to part numbers and other descriptions are for identification purposes only, because the above DISC BRAKE PADS are NOT ORIGINAL but with these interchangeable.

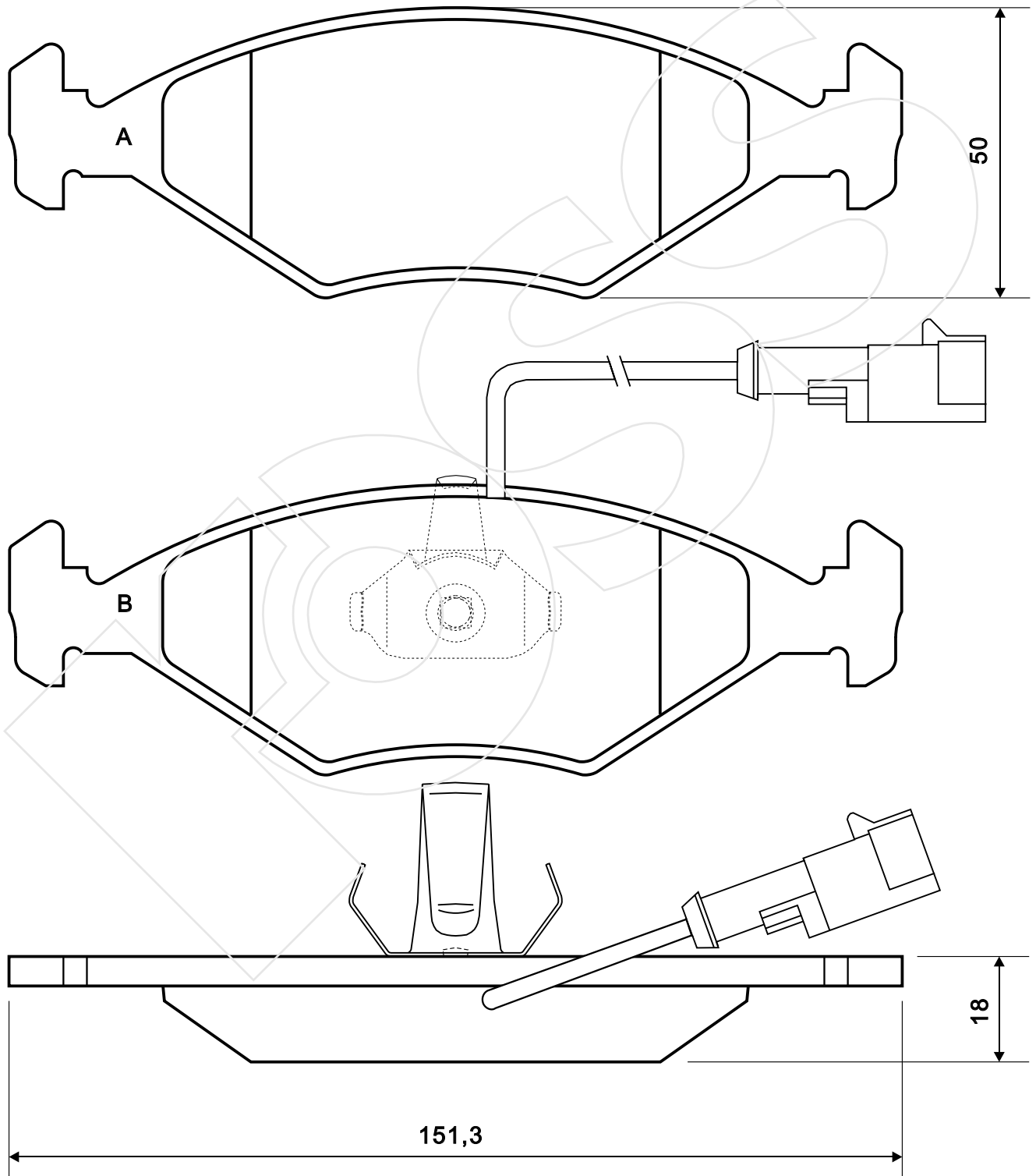
CODICE	IMPIANTO	ASSE	SCALA	APPLICAZIONI
<b>R-775</b>	AKEBONO	ANTERIORE	1:1	MITSUBISHI
CODICE COMPONENTI	N°	L(mm)	SERIE	
*	*	*	4 PEZZI	
*	*			
*	*			
CODICE ACCESSORI	N°	L(mm)	NOTE	
*	*			
*	*			
*	*			



Reference in this Catalogue to other manufactures and to part numbers and other descriptions are for identification purposes only, because the above DISC BRAKE PADS are NOT ORIGINAL but with these interchangeable.

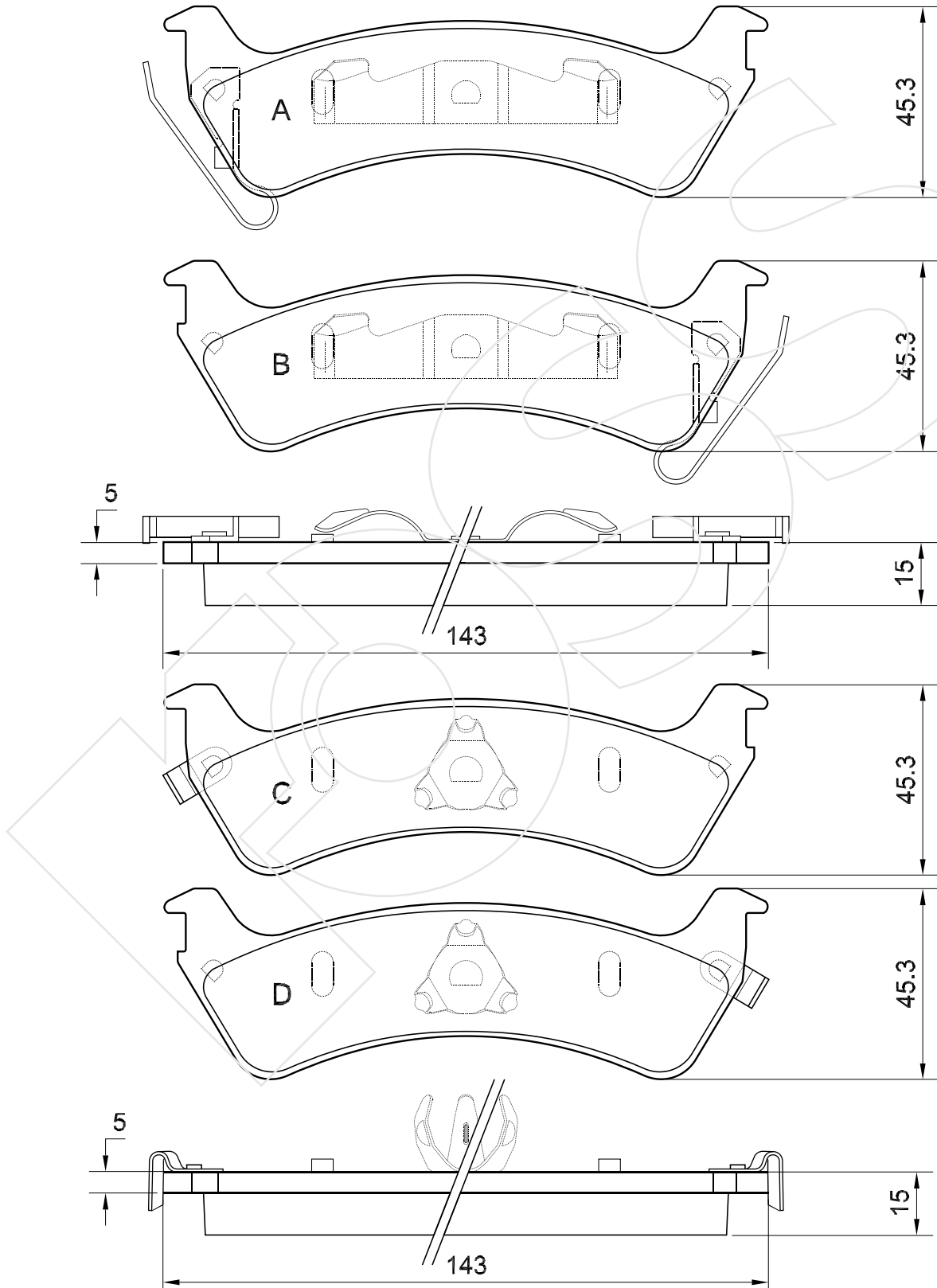


CODICE	IMPIANTO		ASSE	SCALA	APPLICAZIONI
<b>R-776</b>	ATE		ANTERIORE	1:1	FIAT
CODICE COMPONENTI	N°	L(mm)	SERIE		
*	*		2 PEZZI TIPO A		
M0133+F3019	2+2	200	2 PEZZI TIPO B		
*	*				
CODICE ACCESSORI	N°	L(mm)	NOTE		
*	*				
*	*				
*	*				
*	*				



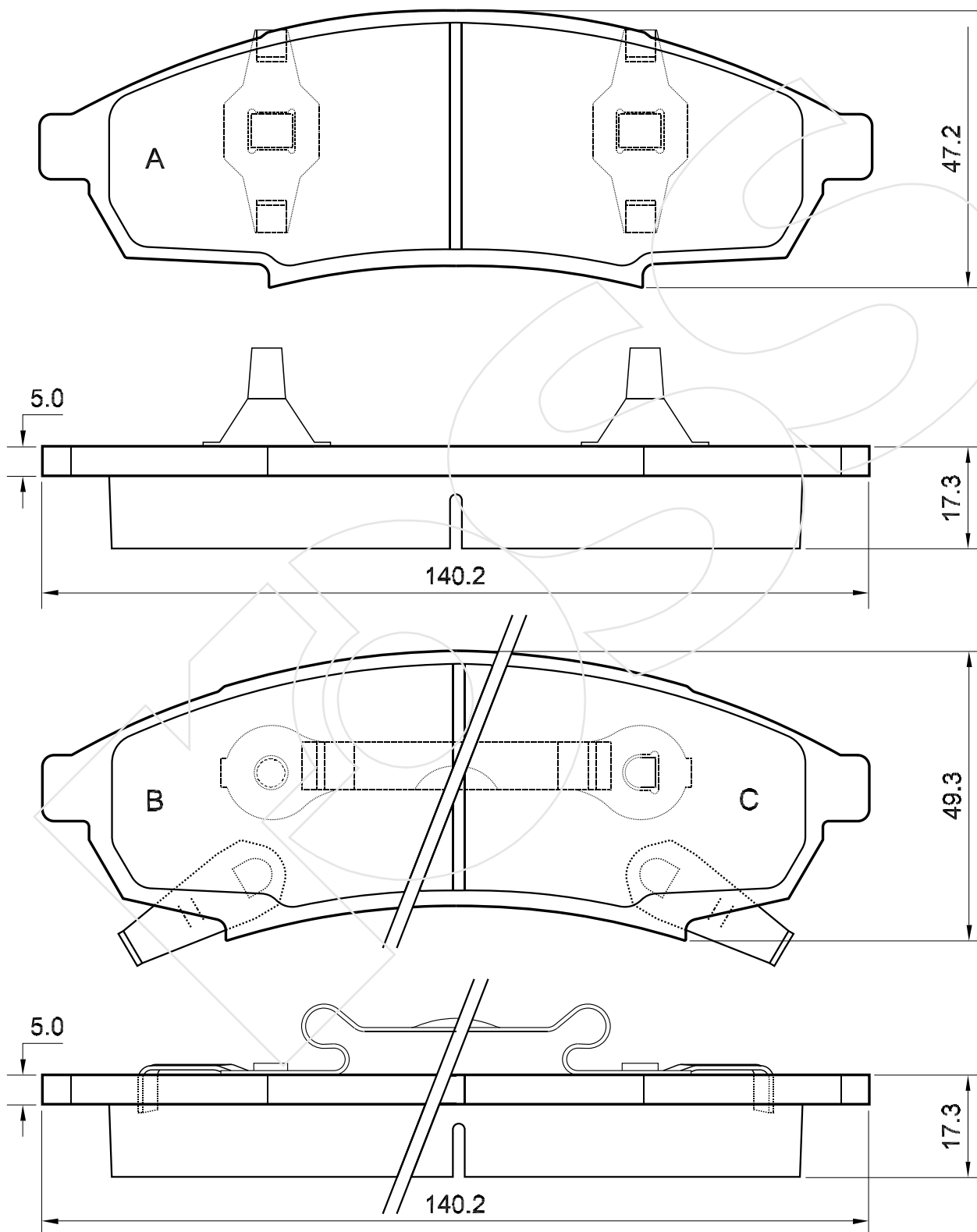
Reference in this Catalogue to other manufactures and to part numbers and other descriptions are for identification purposes only, because the above DISC BRAKE PADS are NOT ORIGINAL but with these interchangeable.

CODICE	IMPIANTO		ASSE	SCALA	APPLICAZIONI
<b>R-777</b>	*		POSTERIORE	70%	JEEP
CODICE COMPONENTI	N°	L(mm)	SERIE		
M0207+M0210	1+1	*	1 PEZZO TIPO A		
M0207+M0209	1+1	*	1 PEZZO TIPO B		
M0208+M0119	1+1	*	1 PEZZO TIPO C		
M0208+M0119	1+1	*	1 PEZZO TIPO D		
CODICE ACCESSORI	N°	L(mm)	NOTE		
*	*	*			
*	*	*			
*	*	*			
*	*	*			



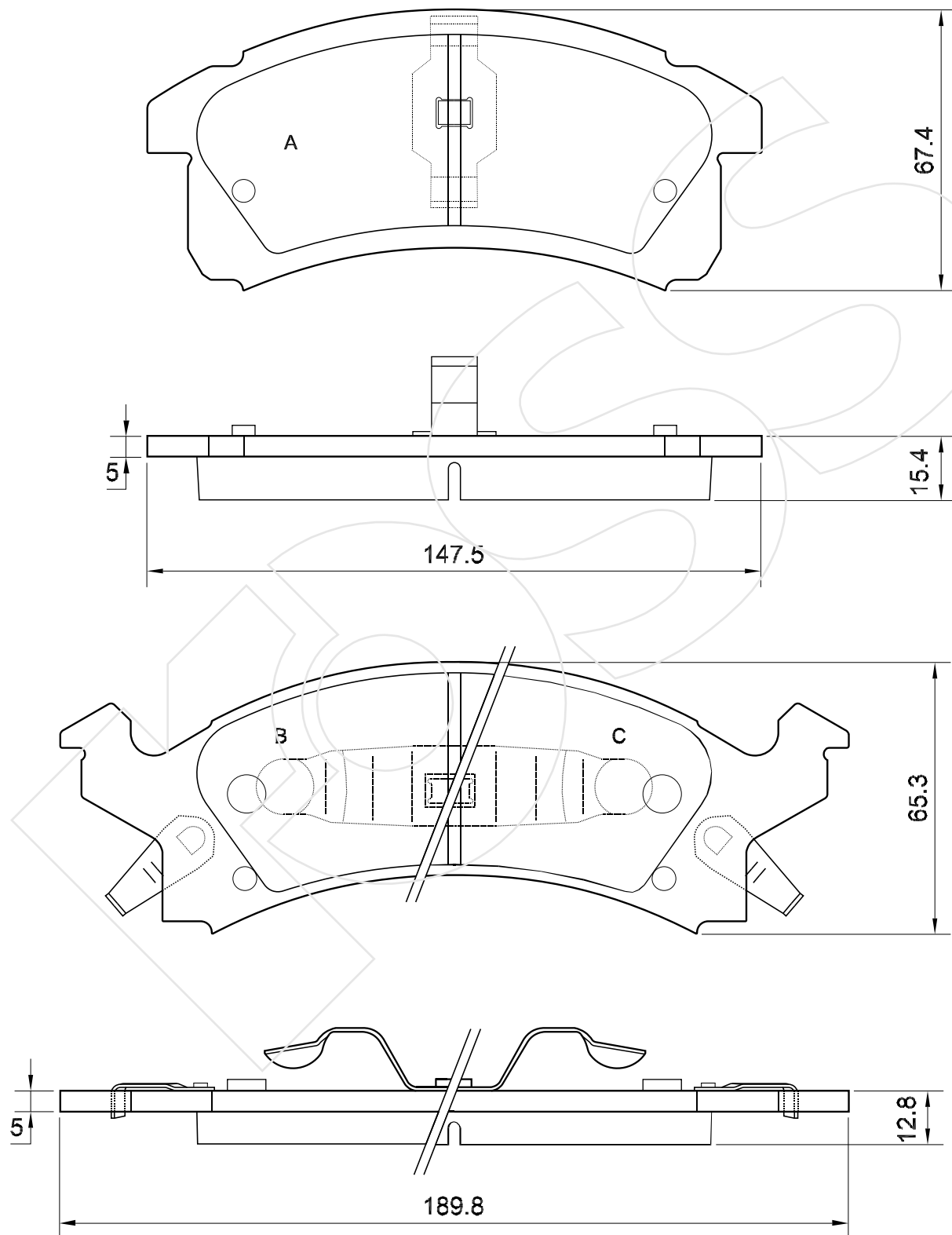
Reference in this Catalogue to other manufactures and to part numbers and other descriptions are for identification purposes only, because the above DISC BRAKE PADS are NOT ORIGINAL but with these interchangeable.

CODICE	IMPIANTO		ASSE	SCALA	APPLICAZIONI
<b>R-778</b>	WAGNER		ANTERIORE	100%	BUICK CHEVROLET OLDSMOBILE PONTIAC
CODICE COMPONENTI	N°	L(mm)	SERIE		
M0186	2	*	2 PEZZI TIPO A		
M0187+M0211	1+1	*	1 PEZZO TIPO B		
M0187+M0211	1+1	*	1 PEZZO TIPO C		
*	*	*	*		
CODICE ACCESSORI	N°	L(mm)	NOTE		
*	*	*			
*	*	*			
*	*	*			
*	*	*			



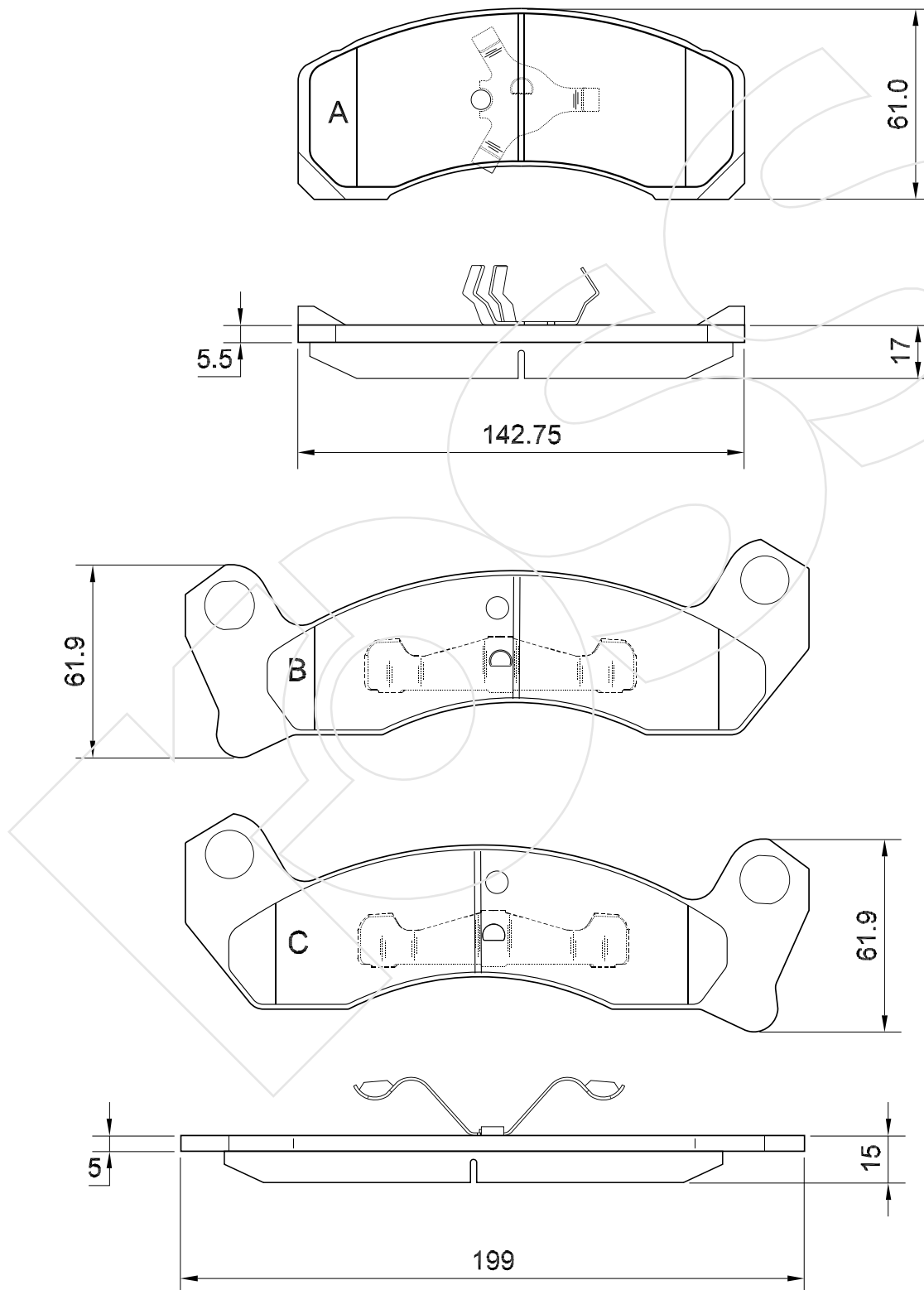
Reference in this Catalogue to other manufactures and to part numbers and other descriptions are for identification purposes only, because the above DISC BRAKE PADS are NOT ORIGINAL but with these interchangeable.

CODICE	IMPIANTO		ASSE	SCALA	APPLICAZIONI
<b>R-779</b>	*		ANTERIORE	70%	CHEVROLET OLDSMOBILE PONTAC BUICK
CODICE COMPONENTI	N°	L(mm)	SERIE		
M0188	2	*	2 PEZZI TIPO A		
M0211+M0189	1+1	*	2 PEZZI TIPO B		
M0211+M0189	1+1	*	*		
*	*	*	*		
CODICE ACCESSORI	N°	L(mm)	NOTE		
*	*	*			
*	*	*			
*	*	*			
*	*	*			



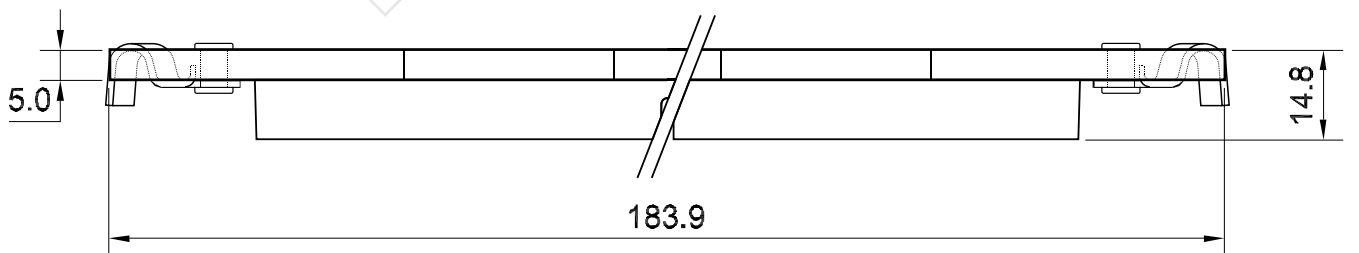
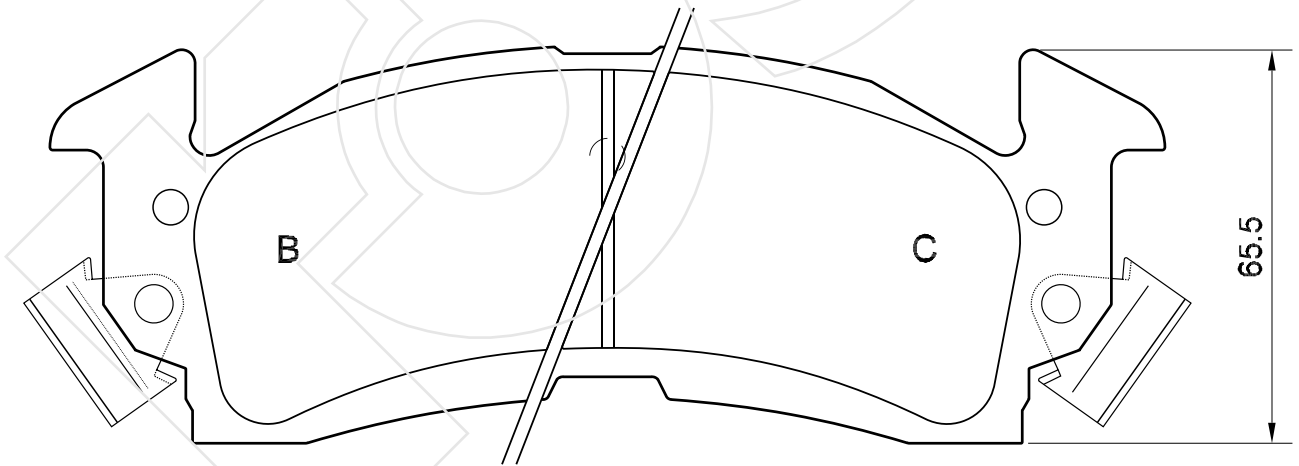
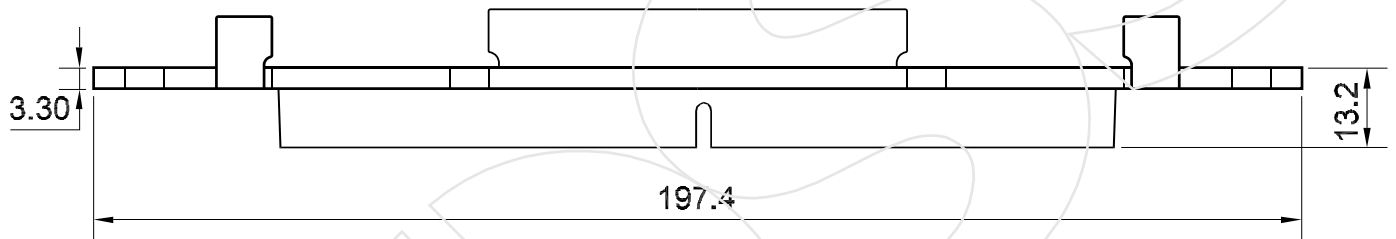
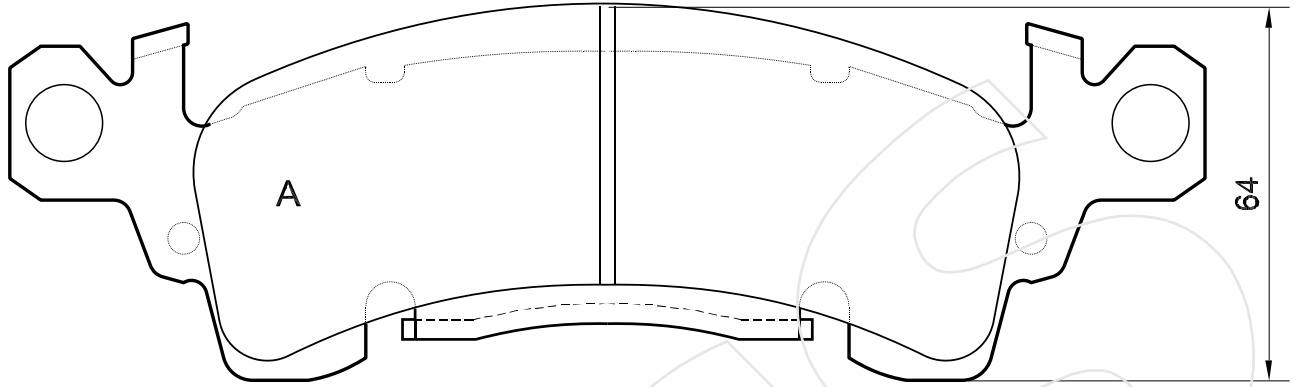
Reference in this Catalogue to other manufactures and to part numbers and other descriptions are for identification purposes only, because the above DISC BRAKE PADS are NOT ORIGINAL but with these interchangeable.

CODICE	IMPIANTO		ASSE	SCALA	APPLICAZIONI
<b>R-780</b>	KALSEY-HAYES		ANTERIORE	50%	FORD USA LINCOLN MERCURY
CODICE COMPONENTI	N°	L(mm)	SERIE		
M0212	2	*	2 PEZZI TIPO A		
M0213	1	*	1 PEZZO TIPO B		
M0213	1	*	1 PEZZO TIPO C		
*	*	*	*		
CODICE ACCESSORI	N°	L(mm)	NOTE		
*	*	*			
*	*	*			
*	*	*			
*	*	*			



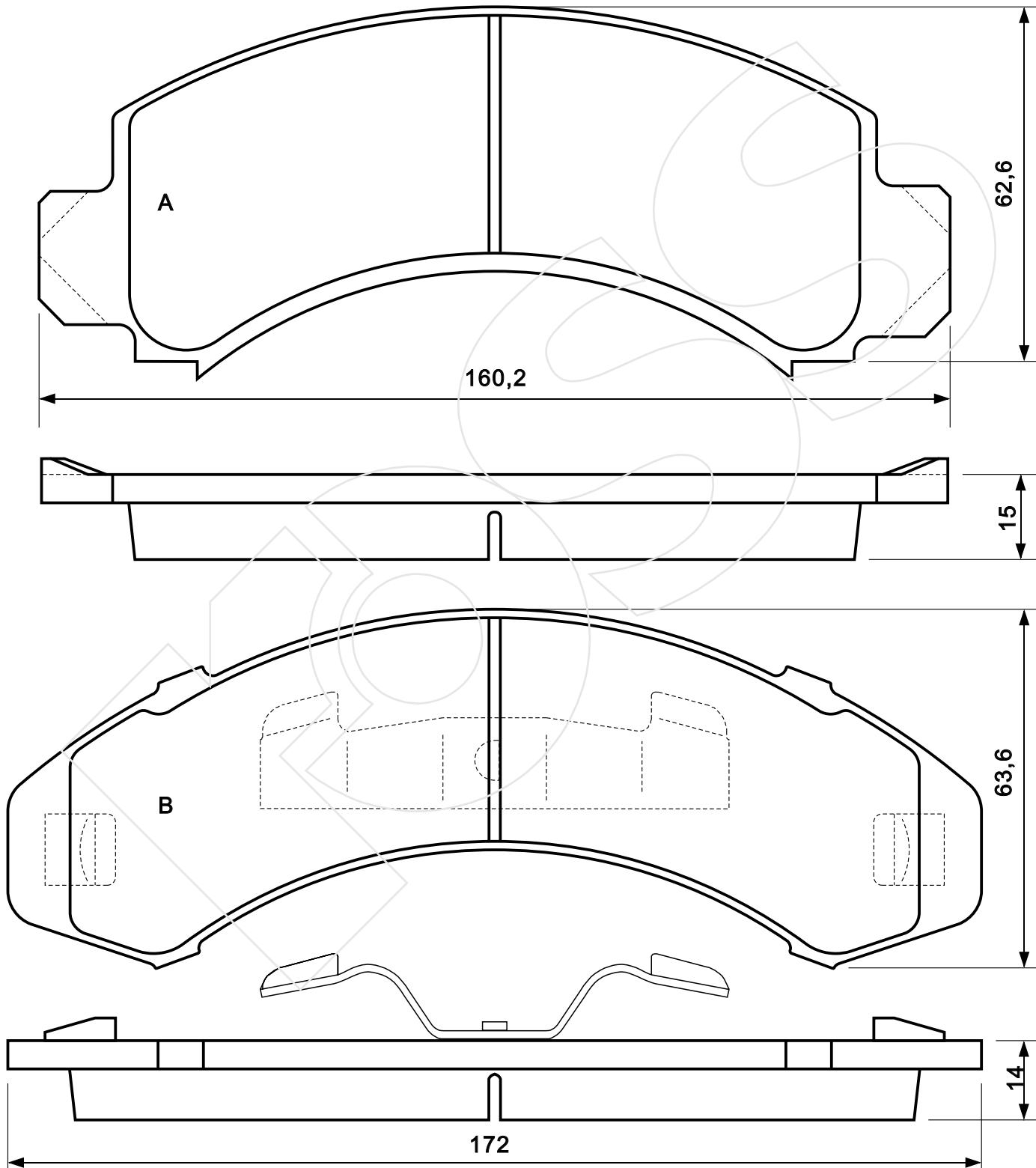
Reference in this Catalogue to other manufactures and to part numbers and other descriptions are for identification purposes only, because the above DISC BRAKE PADS are NOT ORIGINAL but with these interchangeable.

CODICE	IMPIANTO		ASSE	SCALA	APPLICAZIONI
<b>R-781</b>	KELSEY-HAYES		ANTERIORE	80%	BUICK CADILLAC CHEVROLET GMC JEEP PONTIAC
CODICE COMPONENTI	N°	L(mm)	SERIE		
*	*	*	2 PEZZI TIPO A		
M0190	1	*	1 PEZZO TIPO B		
M0190	1	*	1 PEZZO TIPO C		
*	*	*	*		
CODICE ACCESSORI	N°	L(mm)	NOTE		
*	*	*			
*	*	*			
*	*	*			
*	*	*			



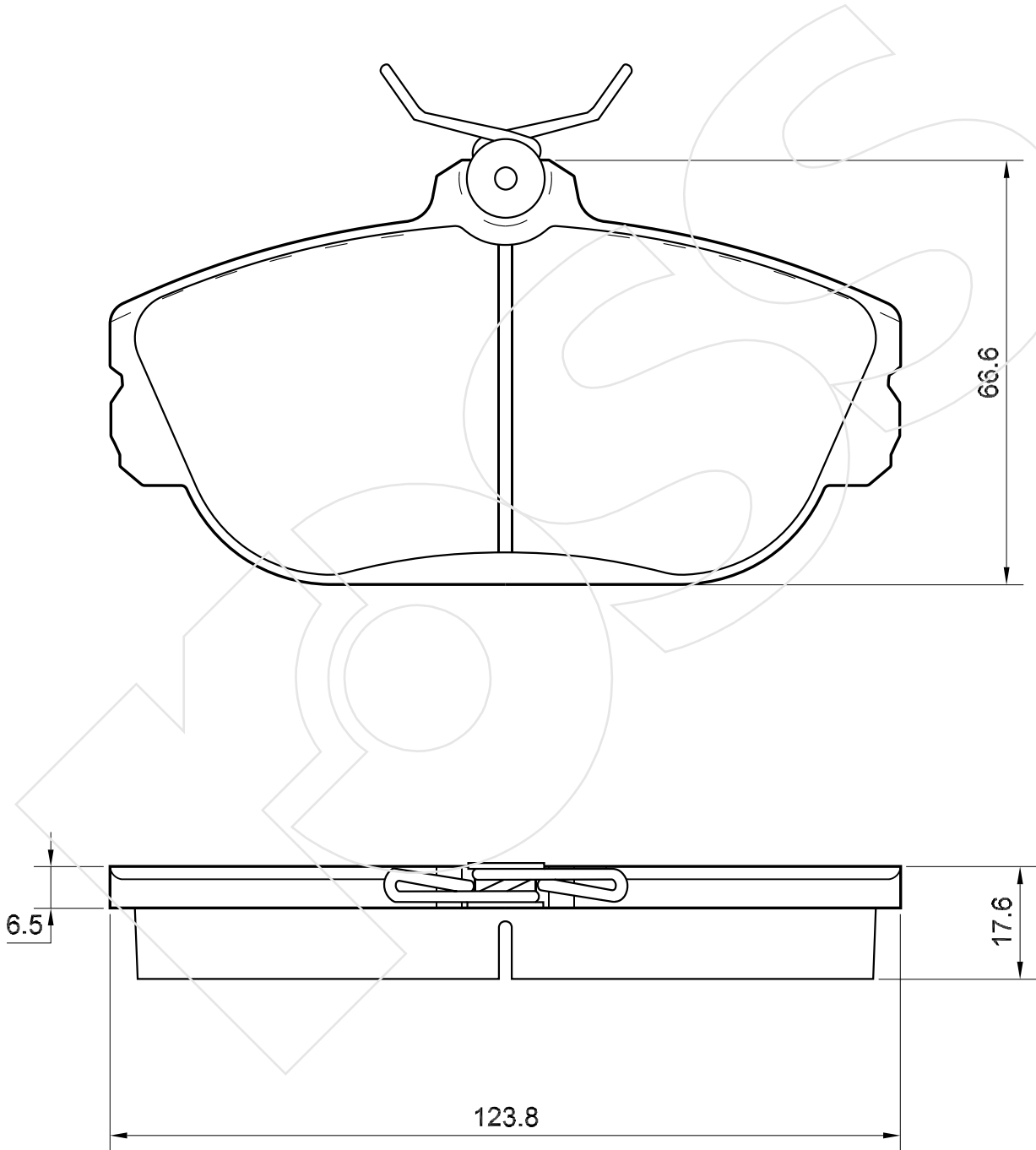
Reference in this Catalogue to other manufactures and to part numbers and other descriptions are for identification purposes only, because the above DISC BRAKE PADS are NOT ORIGINAL but with these interchangeable.

CODICE	IMPIANTO		ASSE	SCALA	APPLICAZIONI
<b>R-782</b>	*		ANTERIORE	1:1	FORD USA
CODICE COMPONENTI	N°	L(mm)	SERIE		
*	*	*	2 PEZZI TIPO A		
M0215	2		2 PEZZI TIPO B		
*	*				
CODICE ACCESSORI	N°	L(mm)	NOTE		
*	*				
*	*				
*	*				
*	*				



Reference in this Catalogue to other manufactures and to part numbers and other descriptions are for identification purposes only, because the above DISC BRAKE PADS are NOT ORIGINAL but with these interchangeable.

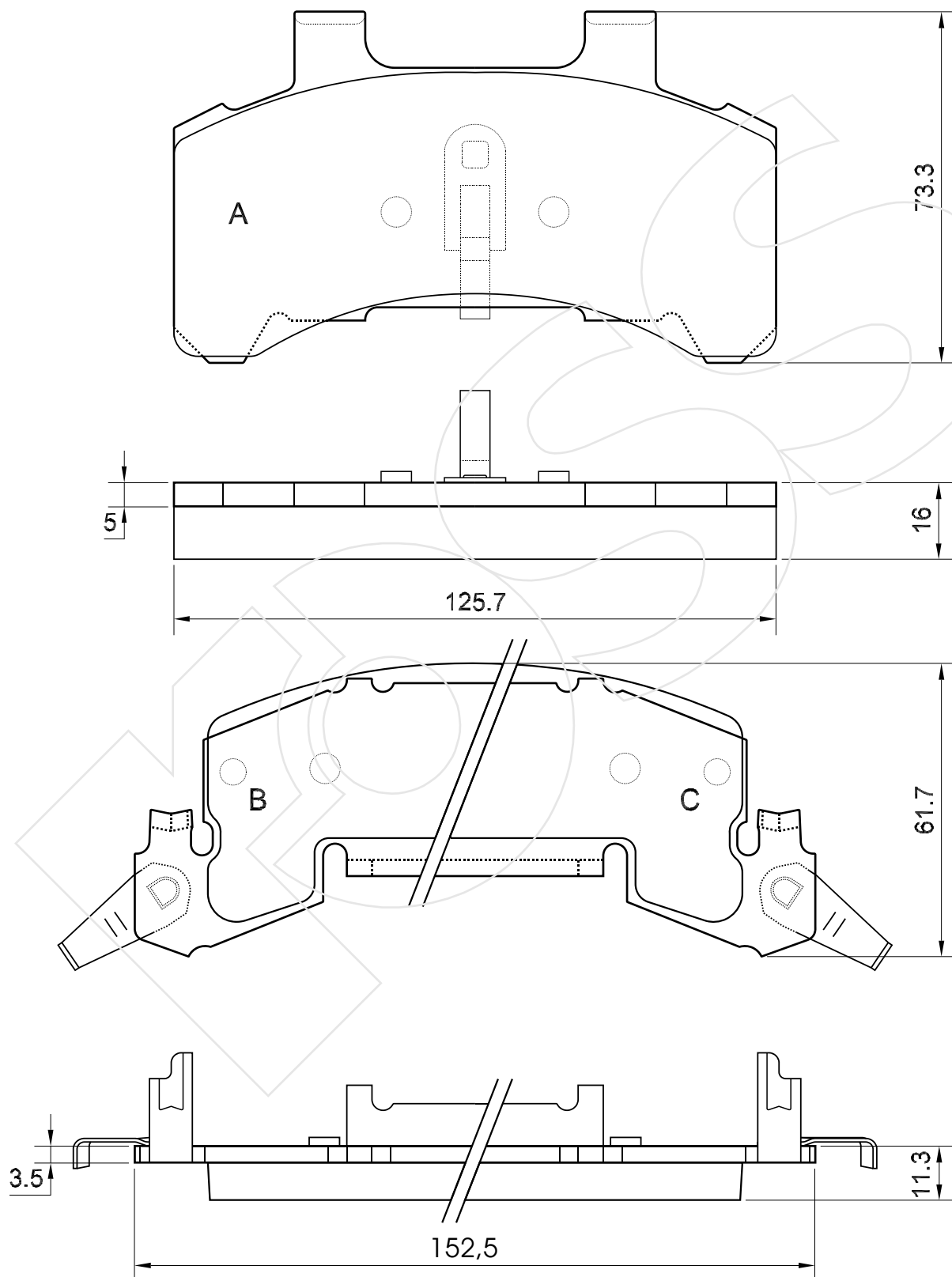
CODICE	IMPIANTO		ASSE	SCALA	APPLICAZIONI
<b>R-783</b>	GIRLING		ANTERIORE	100%	FORD USA FORD TRUCK LINCOLN MERCURY
CODICE COMPONENTI	N°	L(mm)	SERIE		
M0015	4	*	4 PEZZI		
*	*	*	*		
*	*	*	*		
*	*	*	*		
CODICE ACCESSORI	N°	L(mm)	NOTE		
*	*	*			
*	*	*			
*	*	*			
*	*	*			



Reference in this Catalogue to other manufactures and to part numbers and other descriptions are for identification purposes only, because the above DISC BRAKE PADS are NOT ORIGINAL but with these interchangeable.

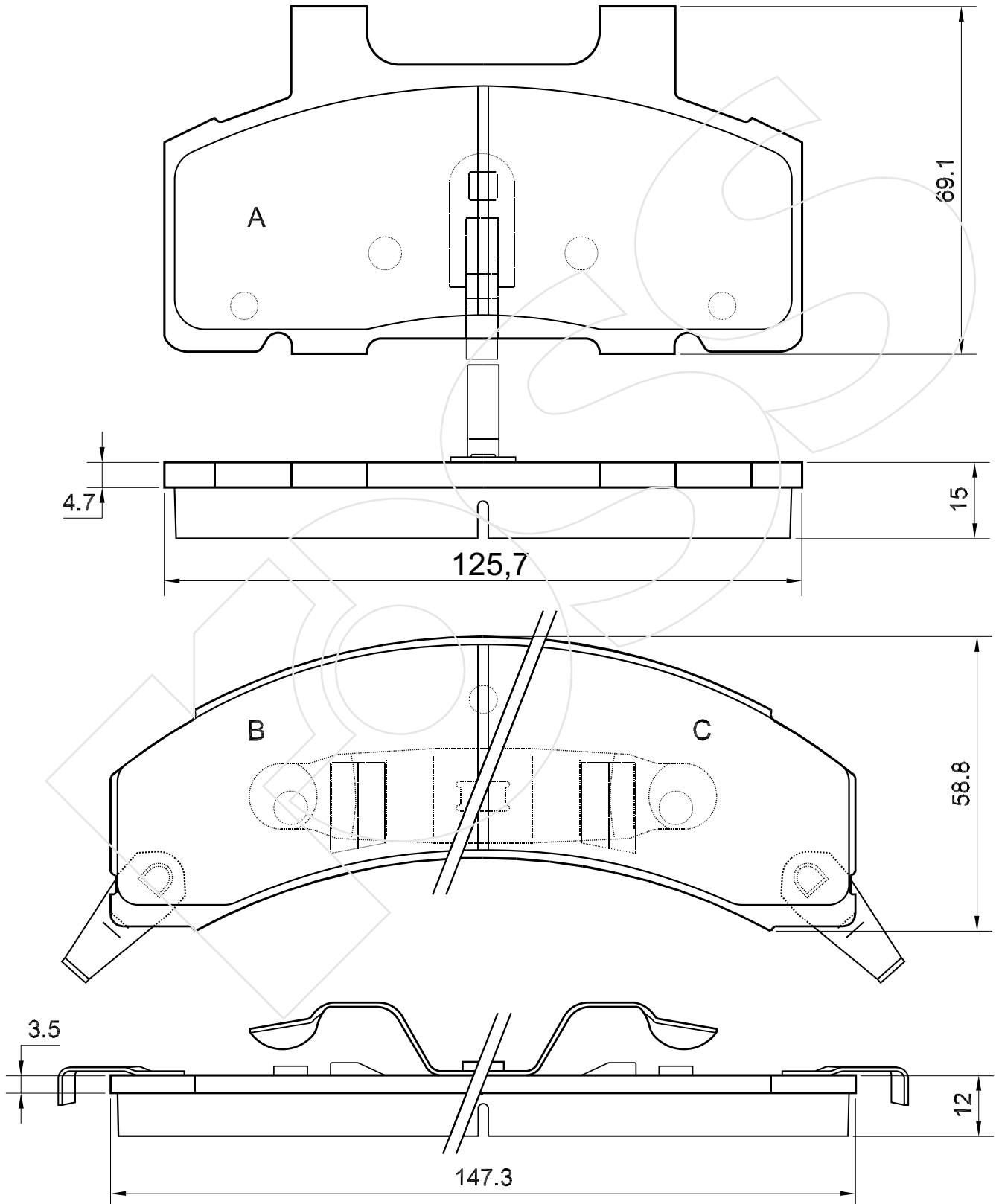


CODICE	IMPIANTO		ASSE	SCALA	APPLICAZIONI
<b>R-784</b>	BENDIX		ANTERIORE	80%	BUICK CHEVROLET OLDSMOBILE PONTIAC
CODICE COMPONENTI	N°	L(mm)	SERIE		
M0216	2	*	2 PEZZI TIPO A		
M0217	1	*	1 PEZZO TIPO B		
M0217	1	*	1 PEZZO TIPO C		
*	*	*	*		
CODICE ACCESSORI	N°	L(mm)	NOTE		
*	*	*			
*	*	*			
*	*	*			
*	*	*			



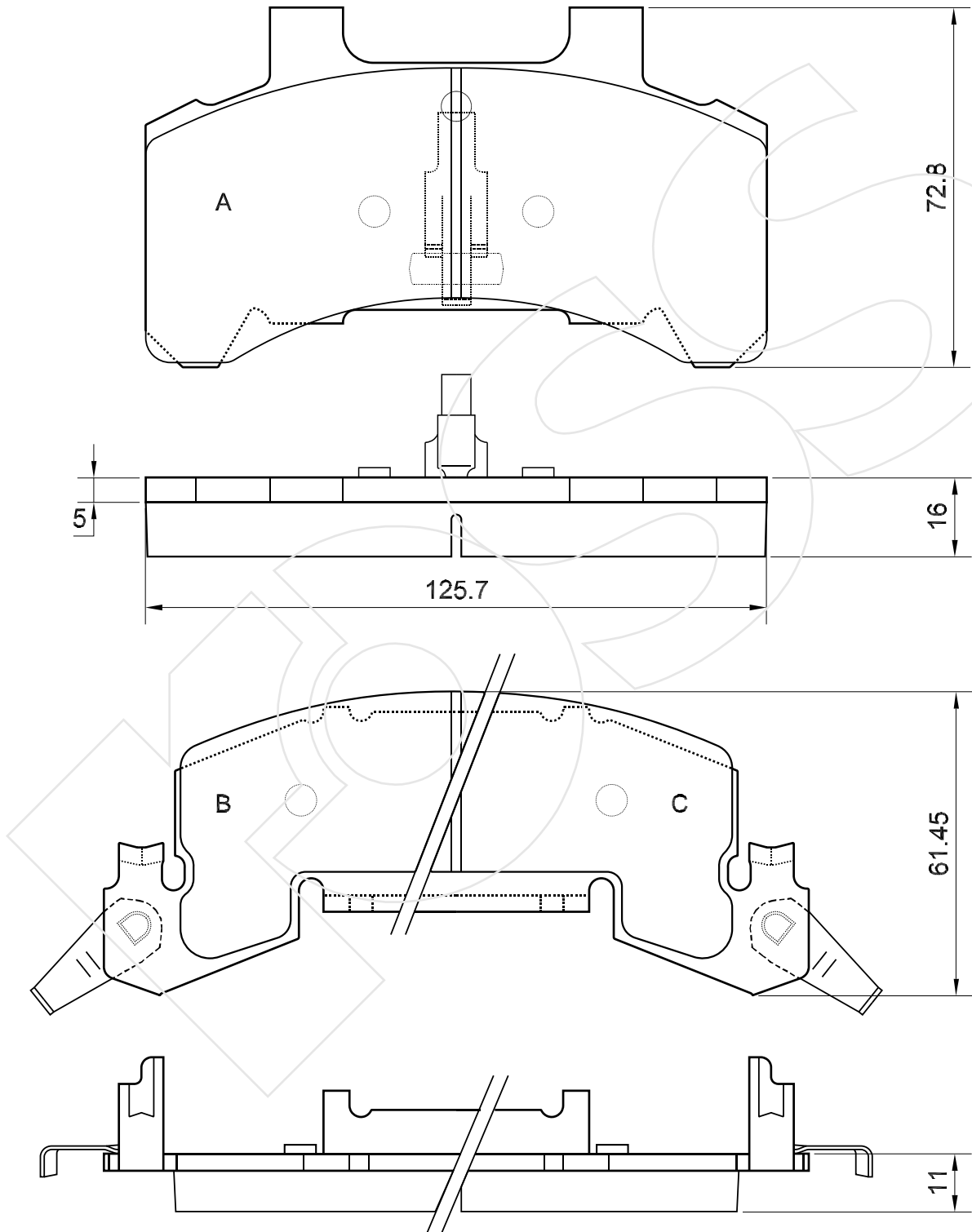
Reference in this Catalogue to other manufactures and to part numbers and other descriptions are for identification purposes only, because the above DISC BRAKE PADS are NOT ORIGINAL but with these interchangeable.

CODICE	IMPIANTO	ASSE	SCALA	APPLICAZIONI
<b>R-785</b>	BENDIX	ANTERIORE	90%	BUICK CHEVROLET CADILLAC OLDSMOLBILE PONTIAC
CODICE COMPONENTI	N°	L(mm)	SERIE	
M0216	2	*	2 PEZZI TIPO A	
M0217+M0189	1+1	*	1 PEZZO TIPO B	
M0217+M0189	1+1	*	1 PEZZO TIPO C	
*	*	*	*	
CODICE ACCESSORI	N°	L(mm)	NOTE	
*	*	*		
*	*	*		
*	*	*		
*	*	*		



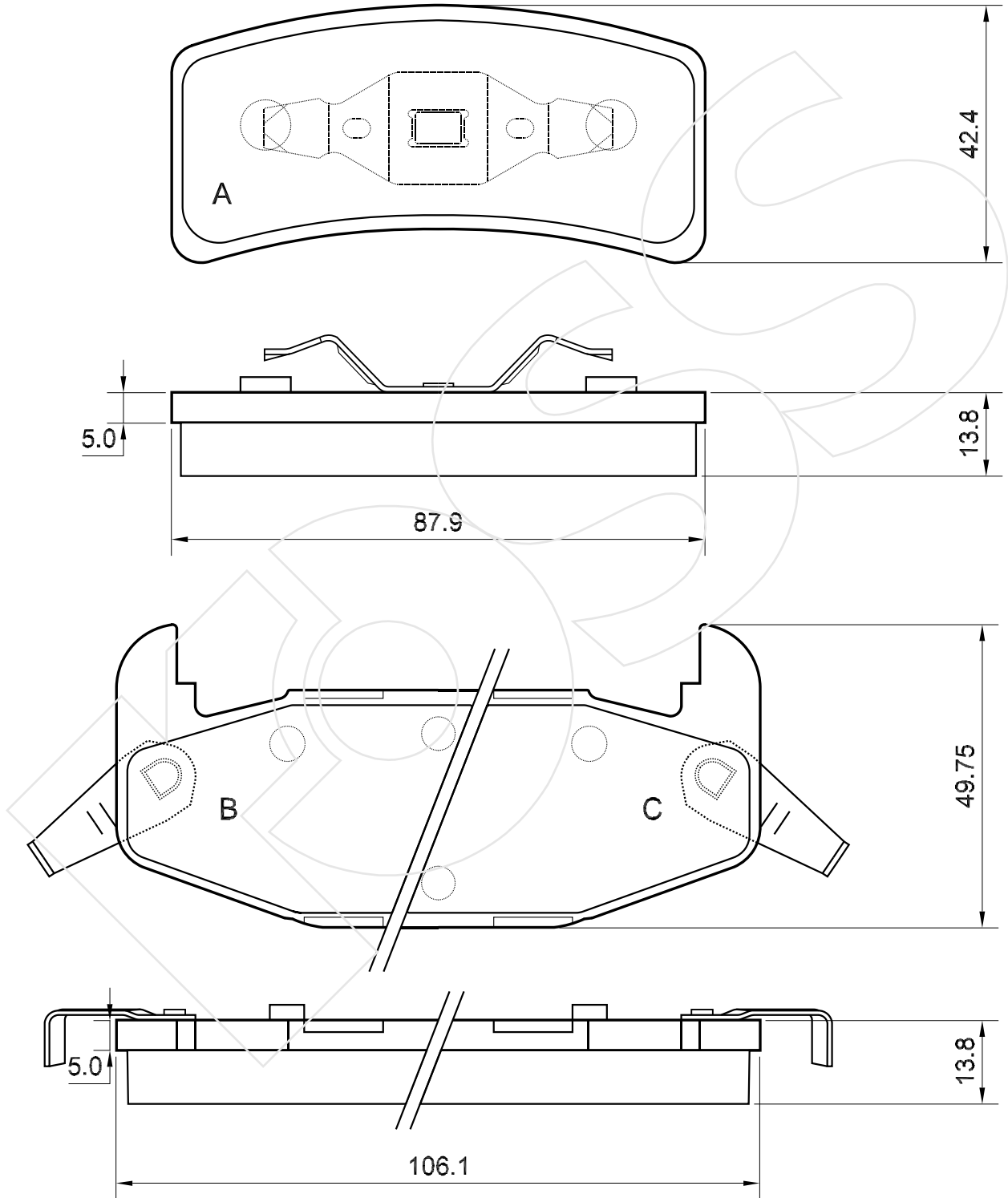
Reference in this Catalogue to other manufactures and to part numbers and other descriptions are for identification purposes only, because the above DISC BRAKE PADS are NOT ORIGINAL but with these interchangeable.

CODICE	IMPIANTO	ASSE	SCALA	APPLICAZIONI
<b>R-786</b>	BENDIX	ANTERIORE	80%	BUICK CADILLAC CHEVROLET PONTIAC
CODICE COMPONENTI	N°	L(mm)	SERIE	
M0218	2	*	2 PEZZI TIPO A	
M0190	1	*	1 PEZZO TIPO B	
M0190	1	*	1 PEZZO TIPO C	
*	*	*	*	
CODICE ACCESSORI	N°	L(mm)	NOTE	
*	*	*		
*	*	*		
*	*	*		
*	*	*		



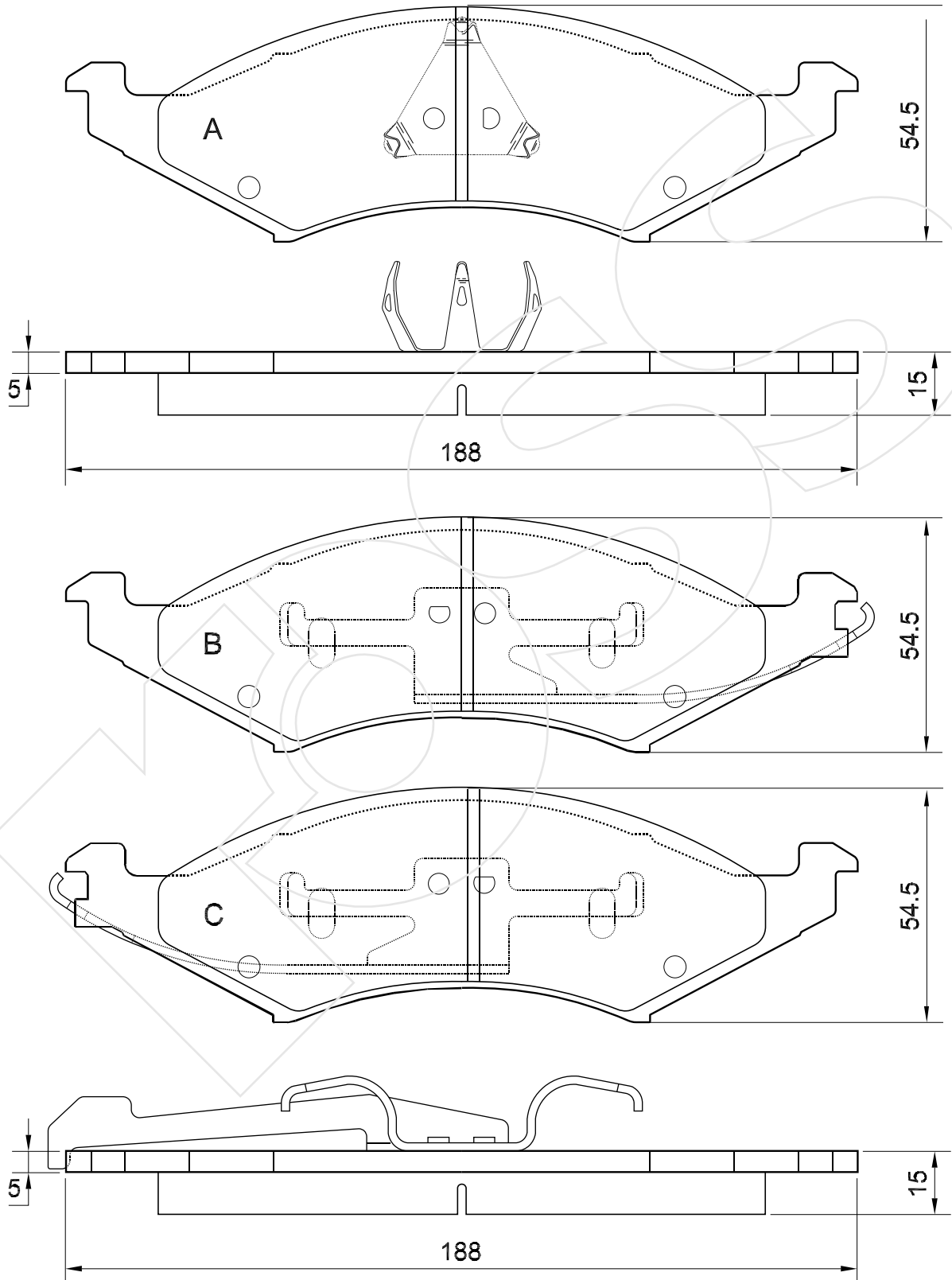
Reference in this Catalogue to other manufactures and to part numbers and other descriptions are for identification purposes only, because the above DISC BRAKE PADS are NOT ORIGINAL but with these interchangeable.

CODICE	IMPIANTO		ASSE	SCALA	APPLICAZIONI
<b>R-787</b>	BENDIX		POSTERIORE	100%	BUICK CHEVROLET OLDSMOBILE PONTIAC
CODICE COMPONENTI	N°	L(mm)	SERIE		
M0219	2	*	2 PEZZI TIPO A		
M0211	1	*	1 PEZZO TIPO B		
M0211	1	*	1 PEZZO TIPO C		
*	*	*	*		
CODICE ACCESSORI	N°	L(mm)	NOTE		
*	*	*			
*	*	*			
*	*	*			
*	*	*			



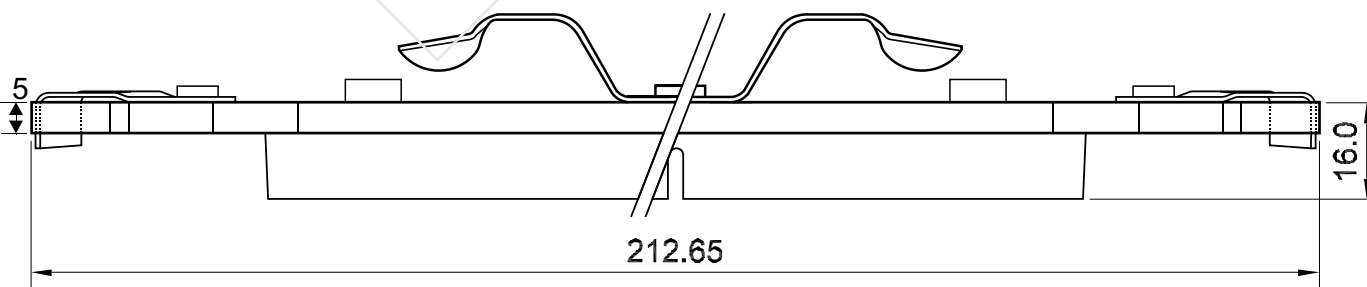
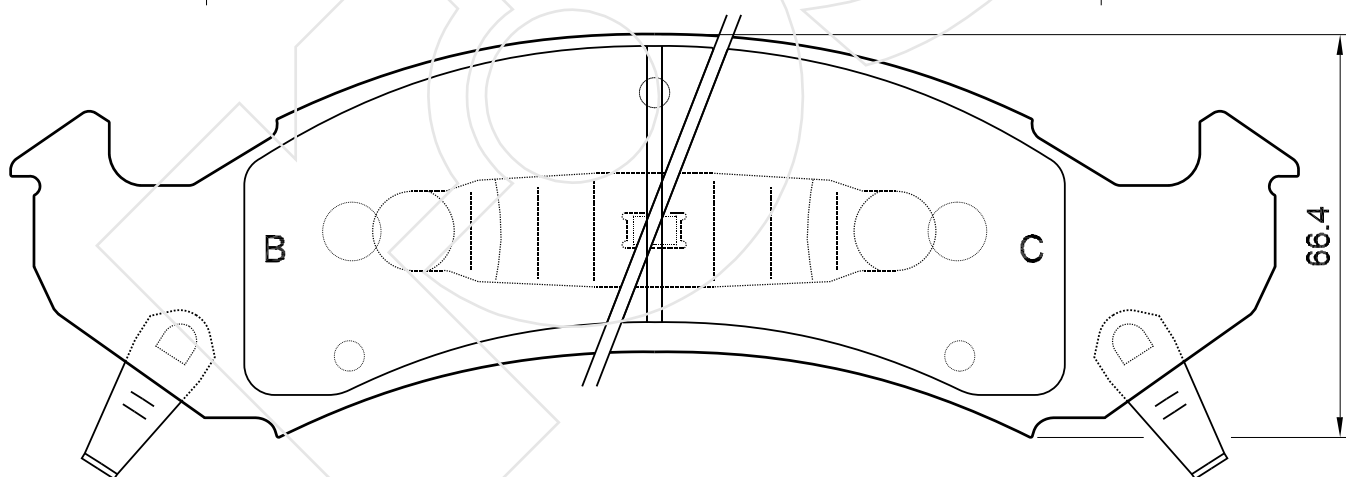
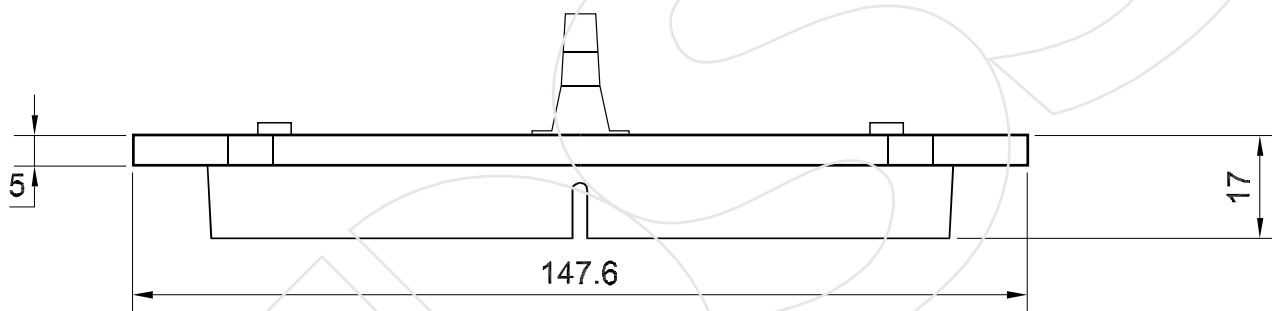
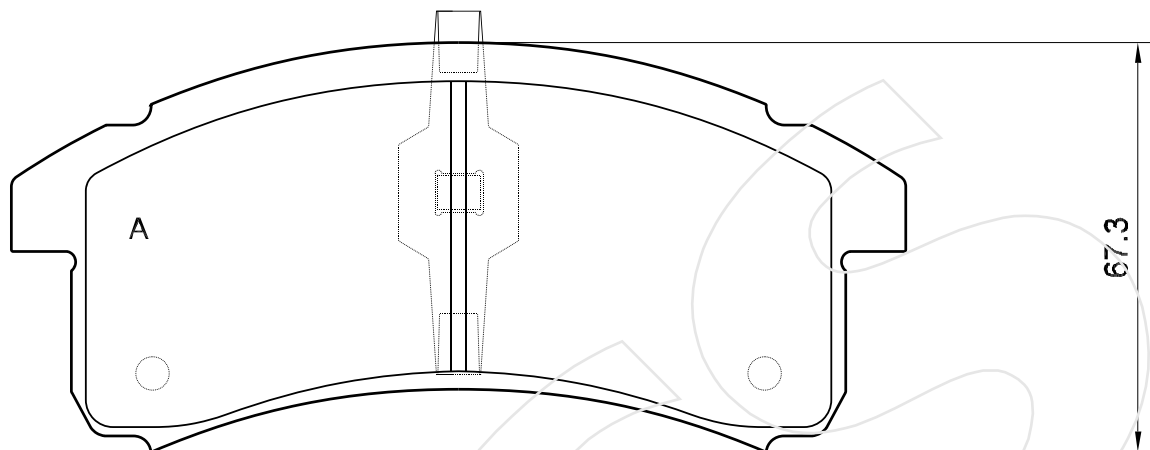
Reference in this Catalogue to other manufactures and to part numbers and other descriptions are for identification purposes only, because the above DISC BRAKE PADS are NOT ORIGINAL but with these interchangeable.

CODICE	IMPIANTO		ASSE	SCALA	APPLICAZIONI
<b>R-788</b>	KELSEY-HAYES		ANTERIORE	70%	FORD (USA) LINCOLN MERCURY
CODICE COMPONENTI	N°	L(mm)	SERIE		
M0220	2	*	2 PEZZI TIPO A		
M0222	1	*	1 PEZZO TIPO B		
M0221	1	*	1 PEZZO TIPO C		
*	*	*	*		
CODICE ACCESSORI	N°	L(mm)	NOTE		
*	*	*			
*	*	*			
*	*	*			
*	*	*			



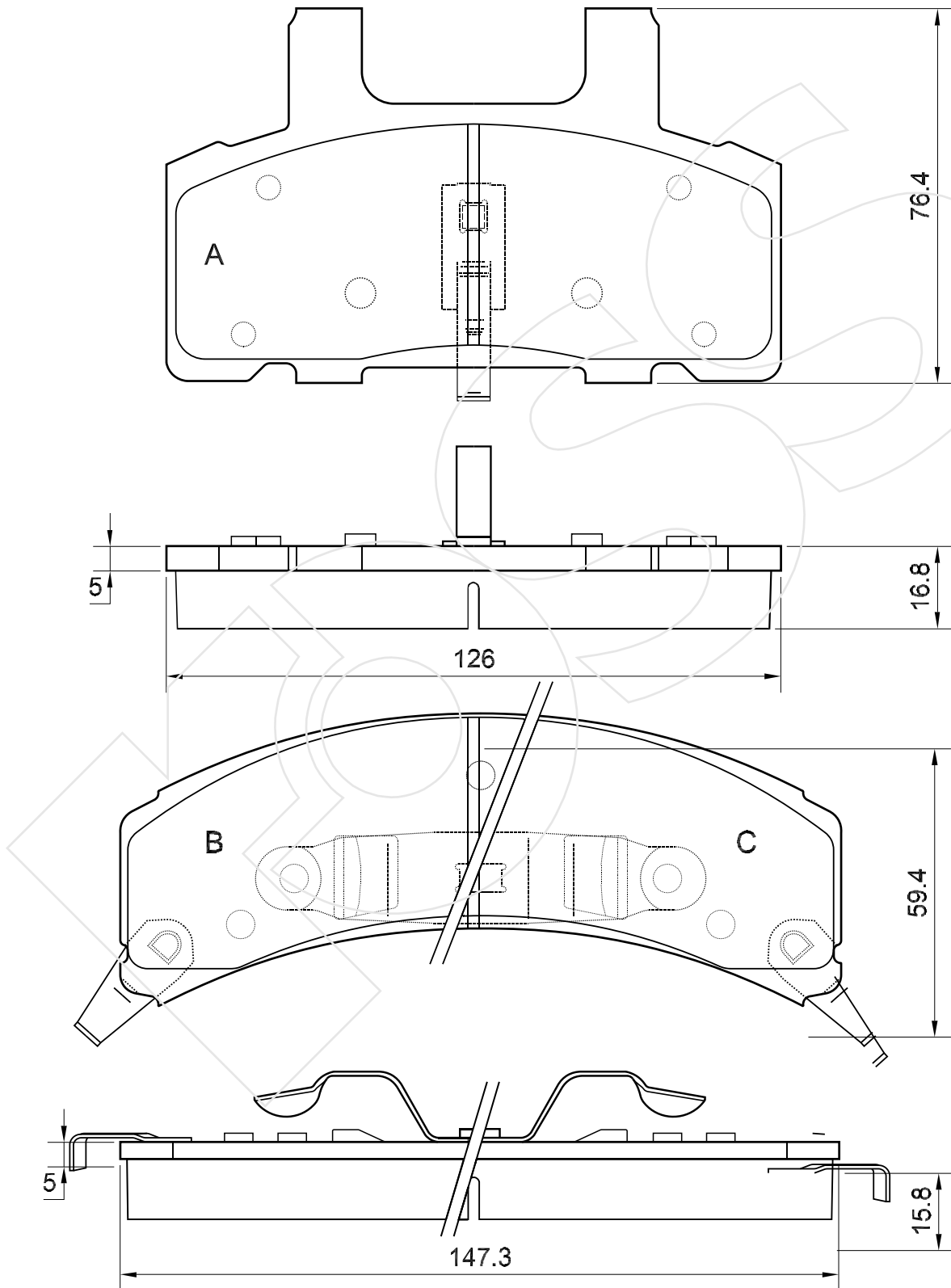
Reference in this Catalogue to other manufactures and to part numbers and other descriptions are for identification purposes only, because the above DISC BRAKE PADS are NOT ORIGINAL but with these interchangeable.

CODICE	IMPIANTO		ASSE	SCALA	APPLICAZIONI
<b>R-789</b>	KELSEY-HAYES		ANTERIORE	80%	BUICK CADILLAC CHEVROLET PONTIAC
CODICE COMPONENTI	N°	L(mm)	SERIE		
M0223	2	*	2 PEZZI TIPO A		
M0189+M0211	1+1	*	1 PEZZO TIPO B		
M0189+M0211	1+1	*	1 PEZZO TIPO C		
*	*	*	*		
CODICE ACCESSORI	N°	L(mm)	NOTE		
*	*	*			
*	*	*			
*	*	*			
*	*	*			



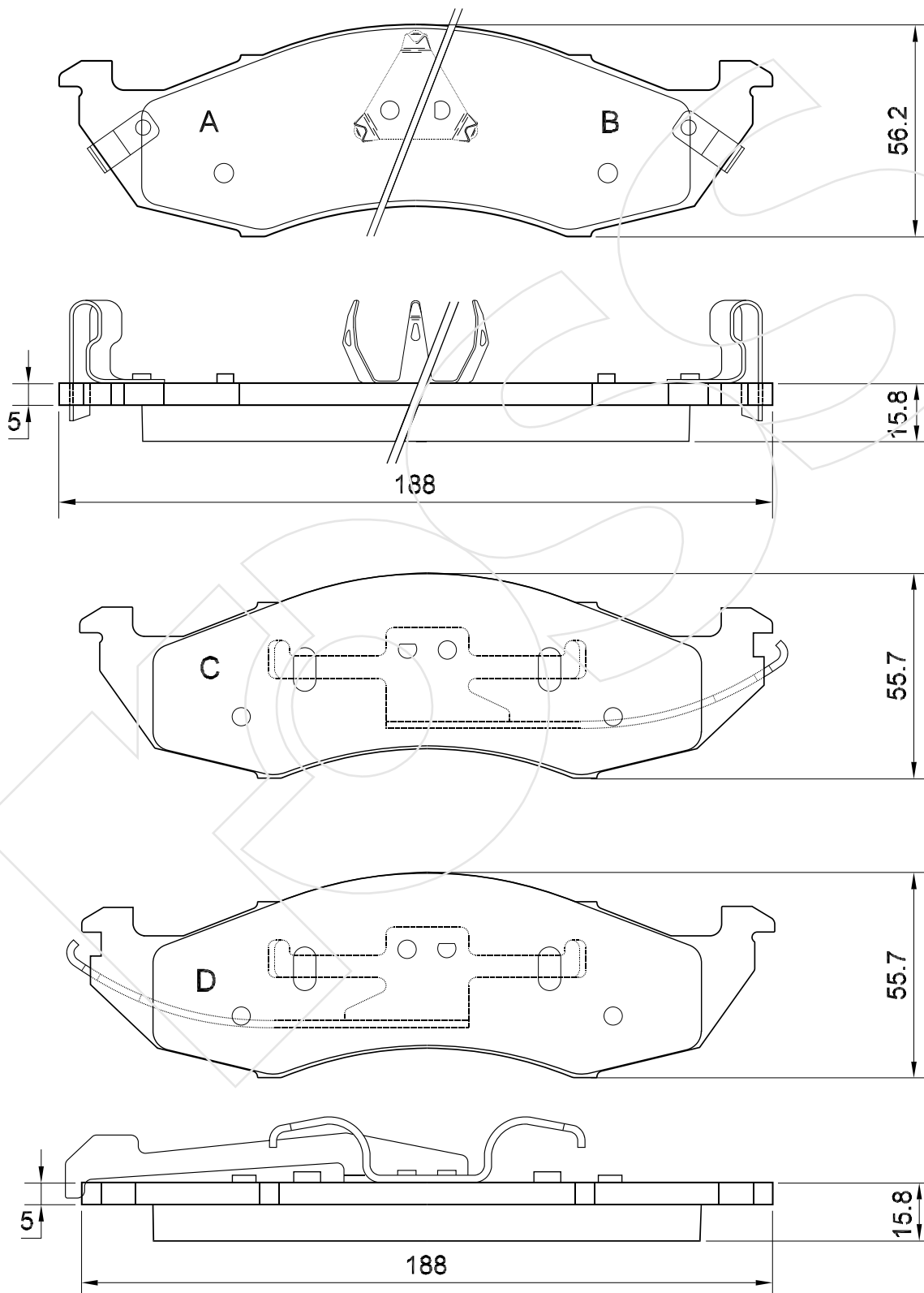
Reference in this Catalogue to other manufactures and to part numbers and other descriptions are for identification purposes only, because the above DISC BRAKE PADS are NOT ORIGINAL but with these interchangeable.

CODICE	IMPIANTO		ASSE	SCALA	APPLICAZIONI
<b>R-790</b>	BENDIX		ANTERIORE	80%	CHEVROLET GMC
CODICE COMPONENTI	N°	L(mm)	SERIE		
M0224	2	*	2 PEZZI TIPO A		
M0189+M0211	1+1	*	1 PEZZO TIPO B		
M0189+M0211	1+1	*	1 PEZZO TIPO C		
*	*	*	*		
CODICE ACCESSORI	N°	L(mm)	NOTE		
*	*	*			
*	*	*			
*	*	*			
*	*	*			



Reference in this Catalogue to other manufactures and to part numbers and other descriptions are for identification purposes only, because the above DISC BRAKE PADS are NOT ORIGINAL but with these interchangeable.

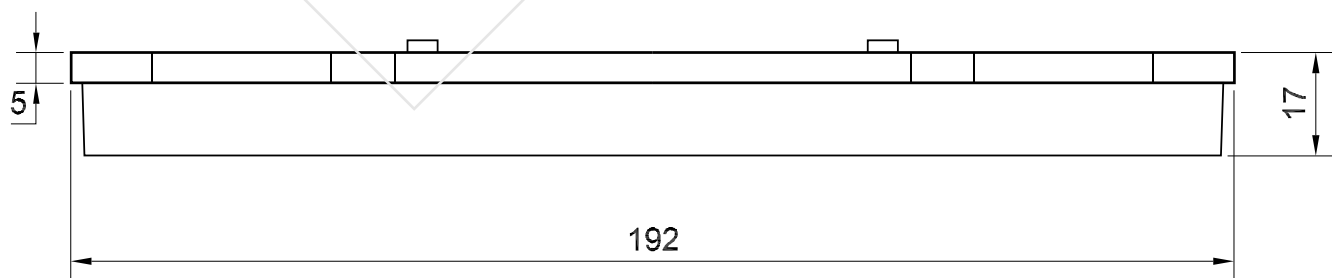
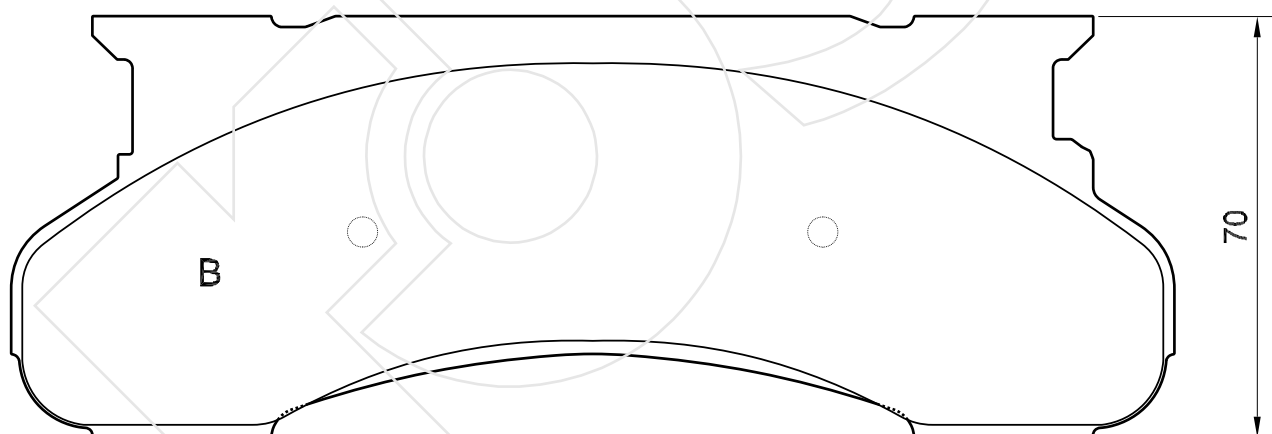
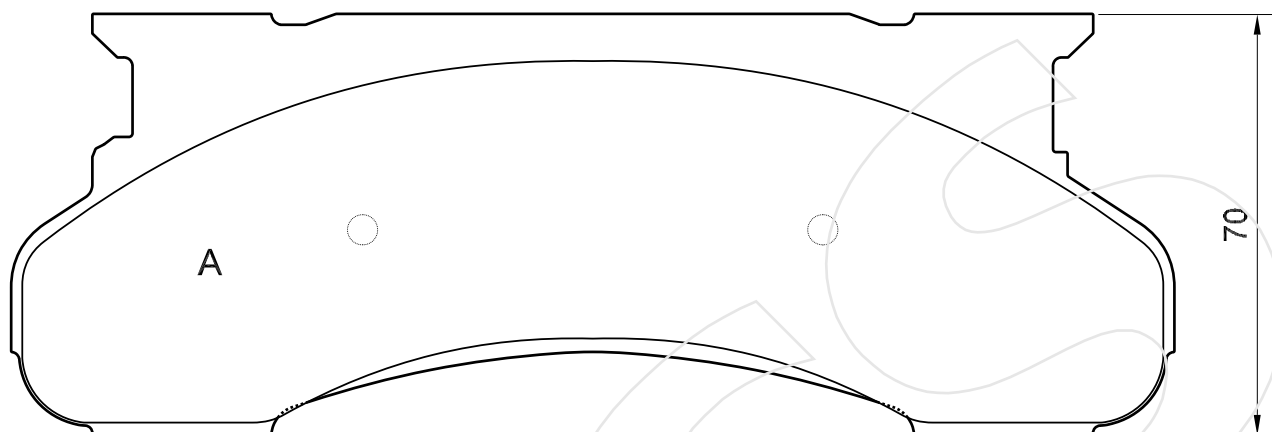
CODICE	IMPIANTO		ASSE	SCALA	APPLICAZIONI
<b>R-791</b>	KELSEY-HAYES		ANTERIORE	60%	MERCURY NISSAN
CODICE COMPONENTI	N°	L(mm)	SERIE		
M0225+M0226	1+1	*	1 PEZZO TIPO A		
M0225+M0226	1+1	*	1 PEZZO TIPO B		
M0222	1	*	1 PEZZO TIPO C		
M0221	1	*	1 PEZZO TIPO D		
CODICE ACCESSORI	N°	L(mm)	NOTE		
*	*	*			
*	*	*			
*	*	*			
*	*	*			



Reference in this Catalogue to other manufactures and to part numbers and other descriptions are for identification purposes only, because the above DISC BRAKE PADS are NOT ORIGINAL but with these interchangeable.

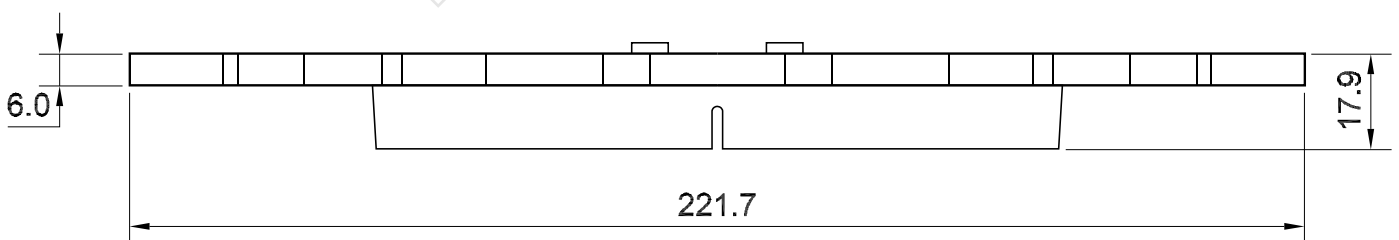
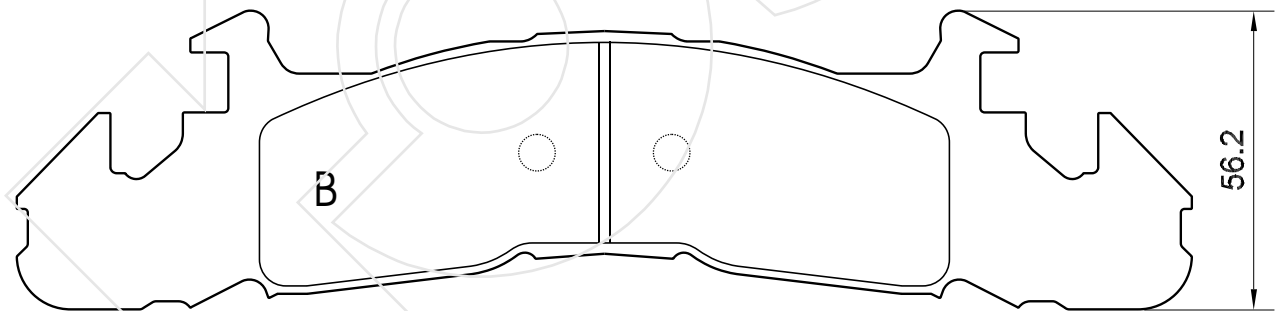
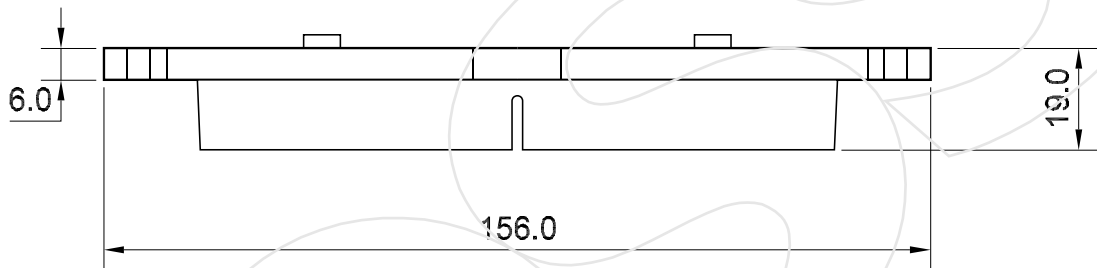
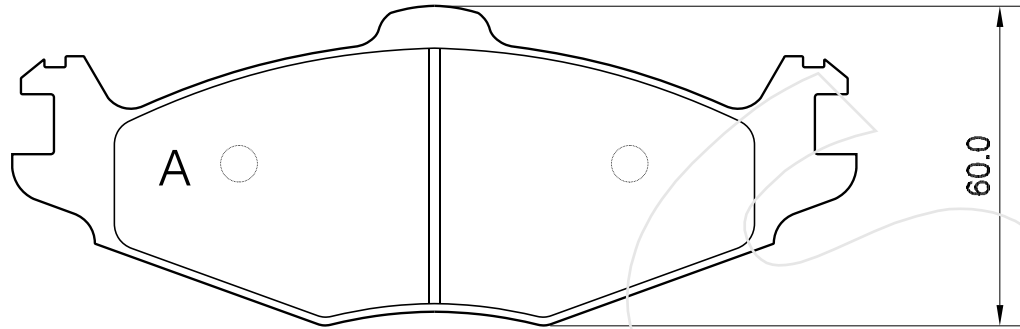


CODICE	IMPIANTO		ASSE	SCALA	APPLICAZIONI
<b>R-792</b>	*		ANTERIORE	80%	FORD (USA)
CODICE COMPONENTI	N°	L(mm)	SERIE		
*	*	*	2 PEZZI TIPO A		
*	*	*	2 PEZZI TIPO B		
*	*	*	*		
*	*	*	*		
CODICE ACCESSORI	N°	L(mm)	NOTE		
*	*	*			
*	*	*			
*	*	*			
*	*	*			



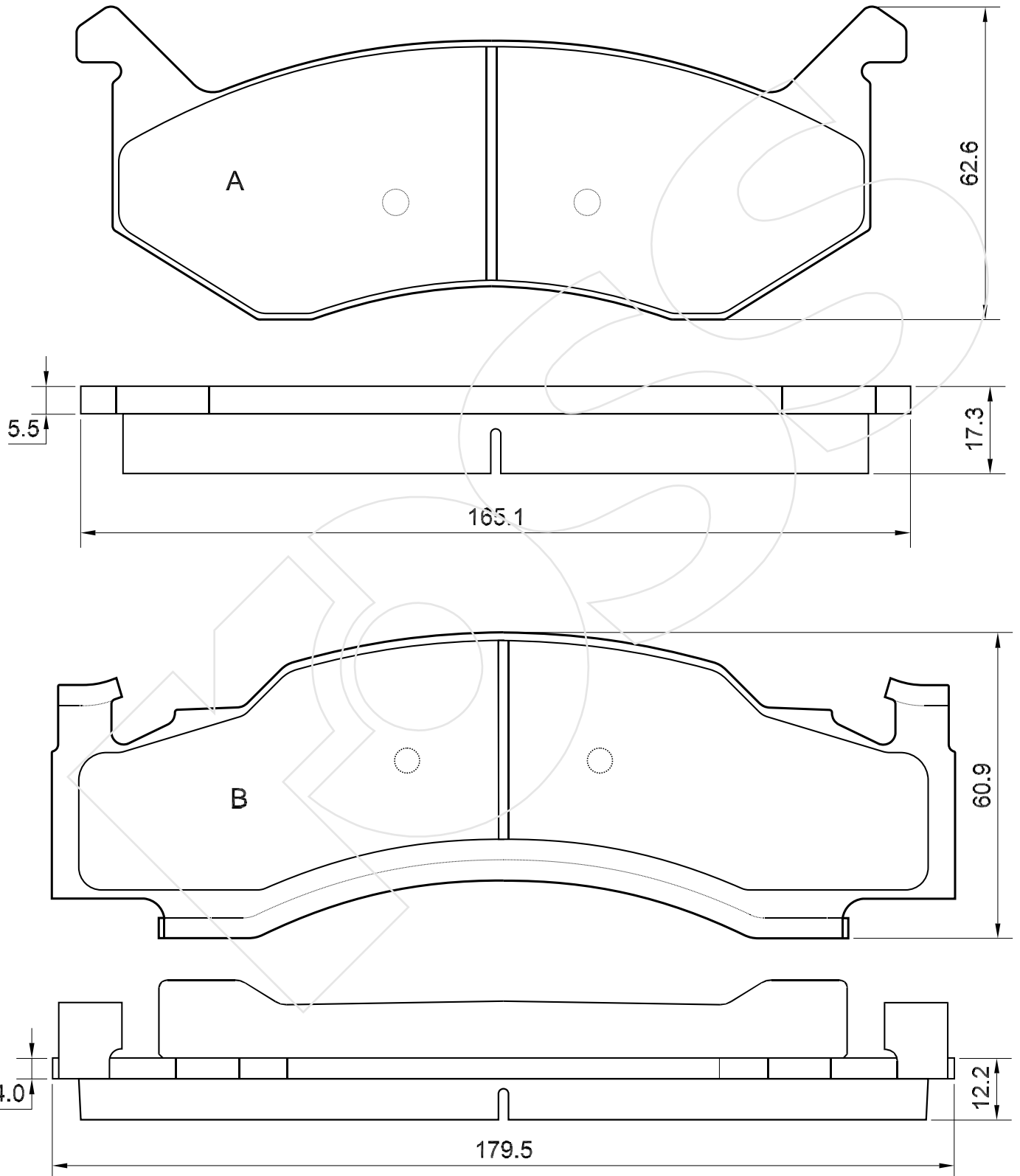
Reference in this Catalogue to other manufactures and to part numbers and other descriptions are for identification purposes only, because the above DISC BRAKE PADS are NOT ORIGINAL but with these interchangeable.

CODICE	IMPIANTO		ASSE	SCALA	APPLICAZIONI
<b>R-793</b>	*		ANTERIORE	100%	DODGE
CODICE COMPONENTI	N°	L(mm)	SERIE		
*	*	*	2 PEZZI TIPO A		
*	*	*	2 PEZZI TIPO B		
*	*	*	*		
*	*	*	*		
CODICE ACCESSORI	N°	L(mm)	NOTE		
*	*	*			
*	*	*			
*	*	*			
*	*	*			



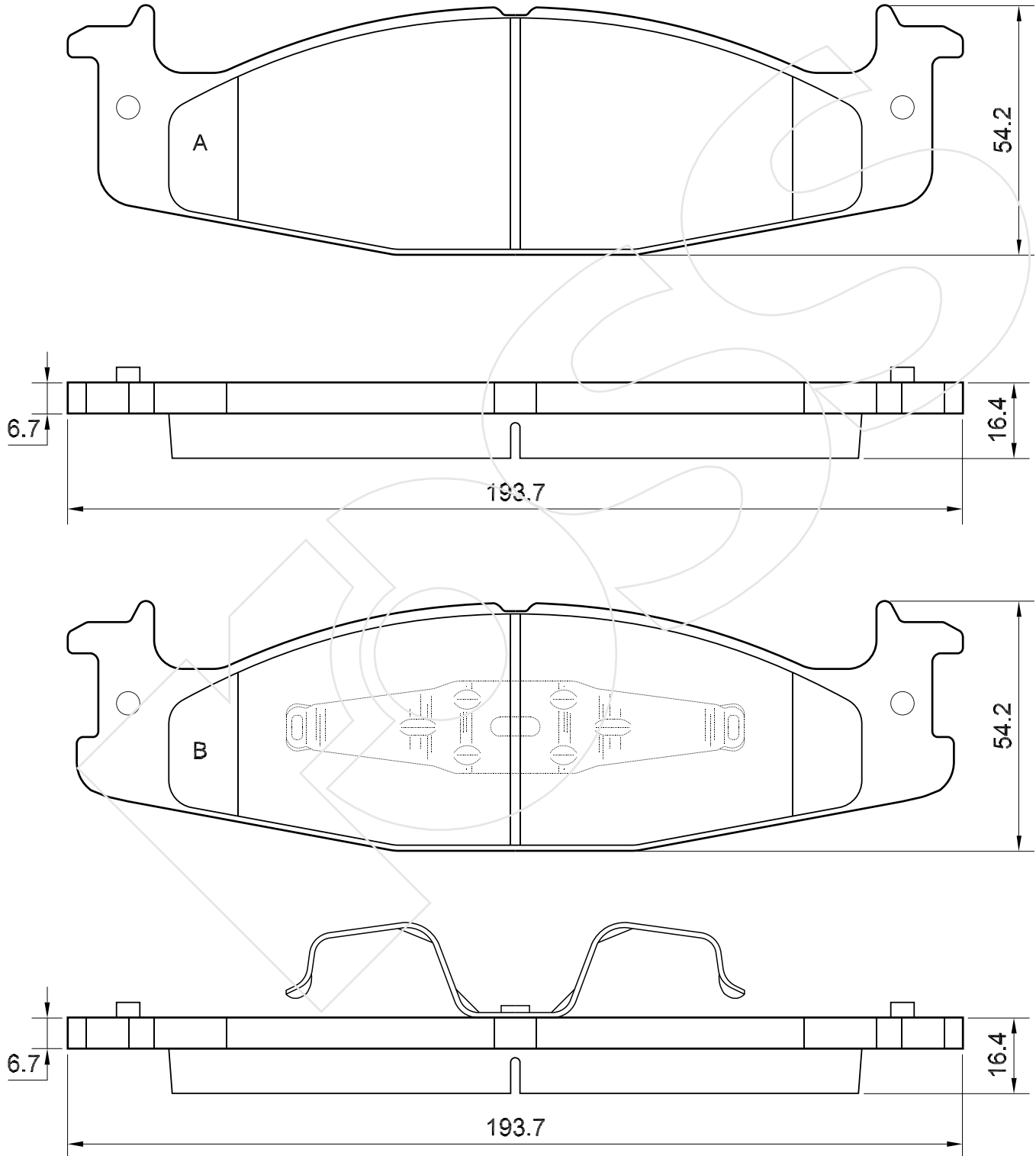
Reference in this Catalogue to other manufactures and to part numbers and other descriptions are for identification purposes only, because the above DISC BRAKE PADS are NOT ORIGINAL but with these interchangeable.

CODICE	IMPIANTO		ASSE	SCALA	APPLICAZIONI
<b>R-794</b>	*		ANTERIORE	90%	DODGE CHRYSLER
CODICE COMPONENTI	N°	L(mm)	SERIE		
*	*	*	2 PEZZI TIPO A		
*	*	*	2 PEZZI TIPO B		
*	*	*	*		
CODICE ACCESSORI	N°	L(mm)	NOTE		
*	*	*			
*	*	*			
*	*	*			
*	*	*			



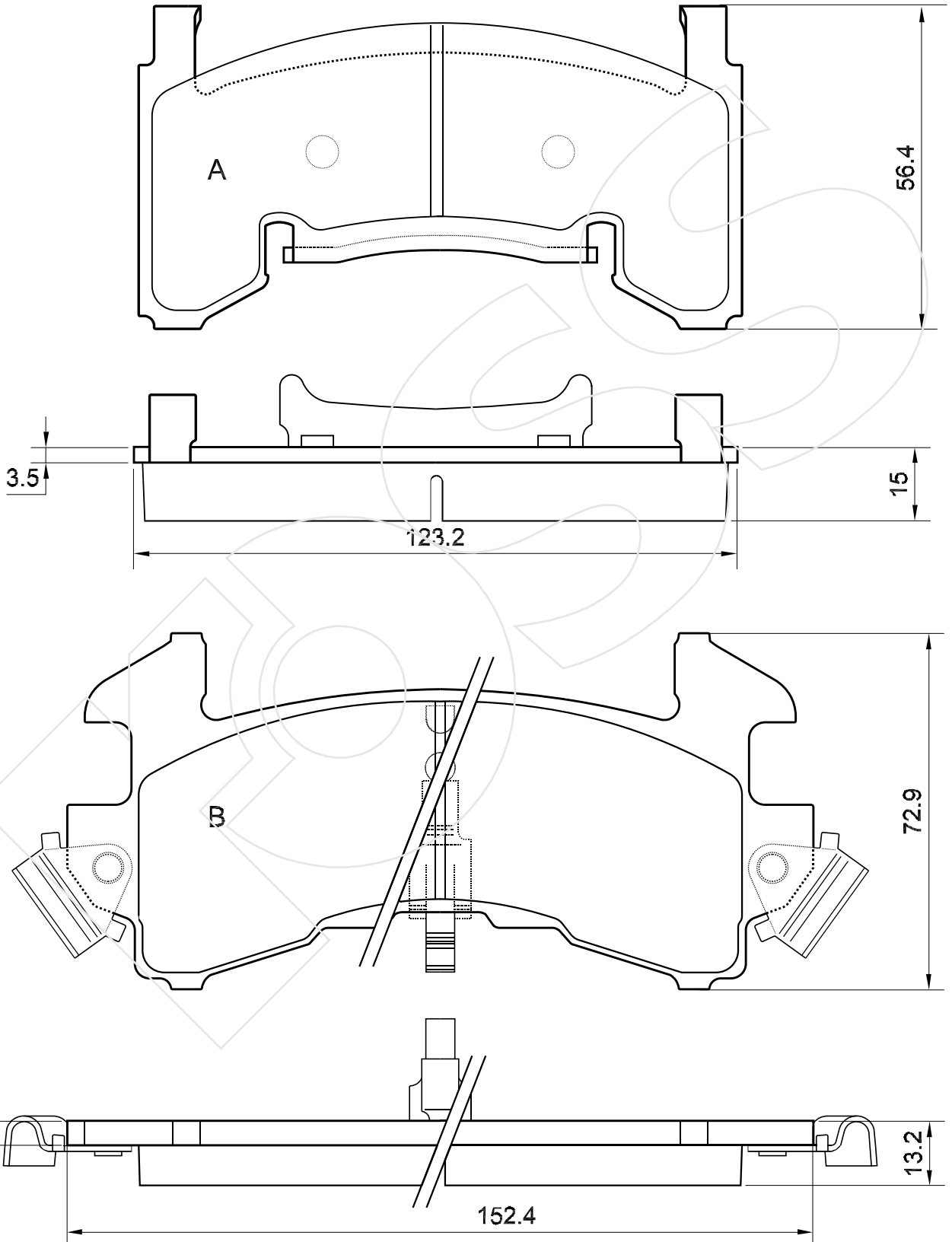
Reference in this Catalogue to other manufactures and to part numbers and other descriptions are for identification purposes only, because the above DISC BRAKE PADS are NOT ORIGINAL but with these interchangeable.

CODICE	IMPIANTO		ASSE	SCALA	APPLICAZIONI
<b>R-795</b>	*		ANTERIORE	80%	FORD TRUCK
CODICE COMPONENTI	N°	L(mm)	SERIE		
*	*	*	2 PEZZI TIPO A		
M0231	2	*	2 PEZZI TIPO B		
*	*	*	*		
*	*	*	*		
CODICE ACCESSORI	N°	L(mm)	NOTE		
*	*	*			
*	*	*			
*	*	*			
*	*	*			



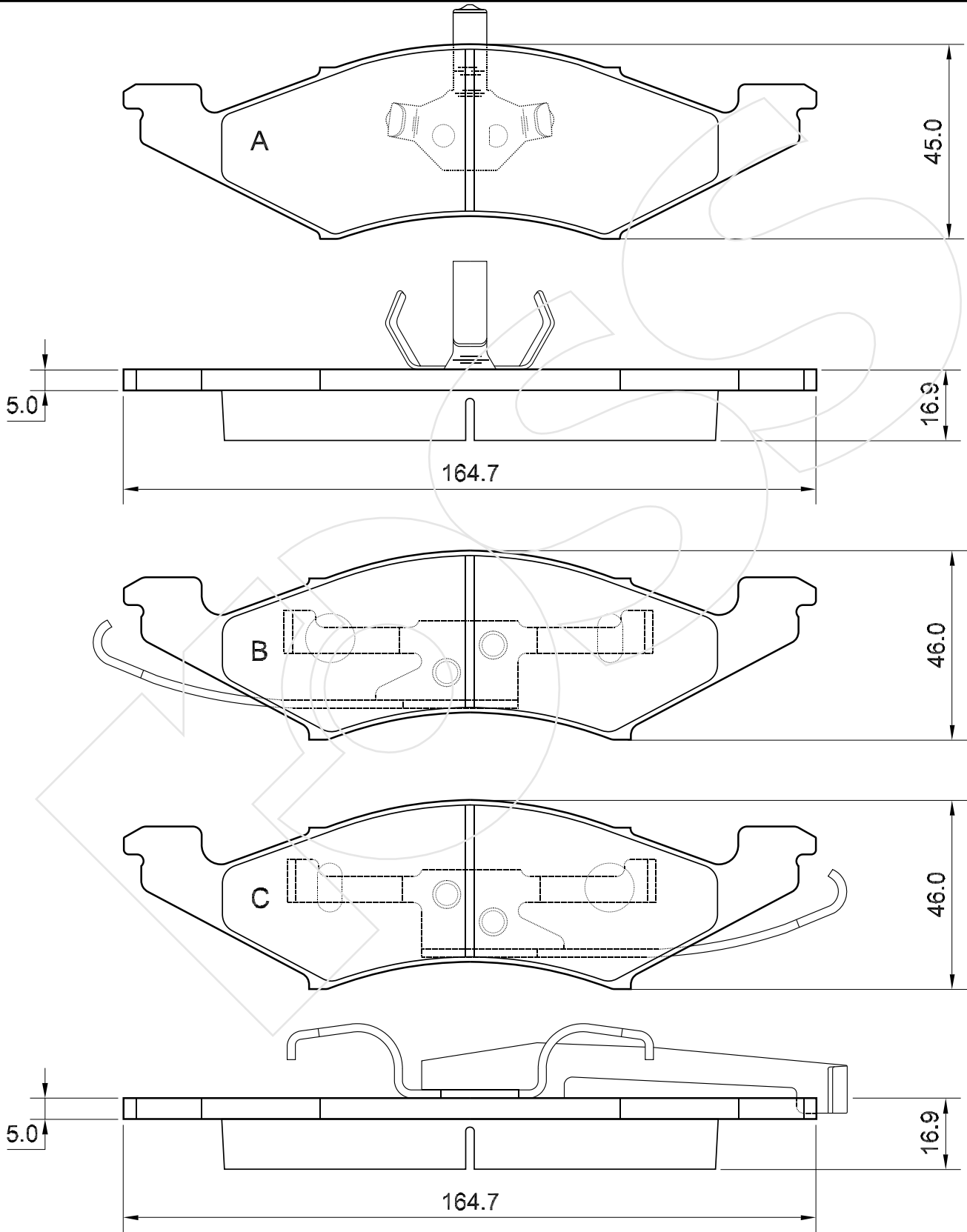
Reference in this Catalogue to other manufactures and to part numbers and other descriptions are for identification purposes only, because the above DISC BRAKE PADS are NOT ORIGINAL but with these interchangeable.

CODICE	IMPIANTO		ASSE	SCALA	APPLICAZIONI
<b>R-796</b>	BENDIX		ANTERIORE/POSTERIORE	85%	BUICK CHEVROLET CADILLAC GMC PONTIAC
CODICE COMPONENTI	N°	L(mm)	SERIE		
*	*	*	2 PEZZI TIPO A		
M0190+M0218	2+2	*	2 PEZZI TIPO B		
*	*	*	*		
*	*	*	*		
CODICE ACCESSORI	N°	L(mm)	NOTE		
*	*	*			
*	*	*			
*	*	*			
*	*	*			



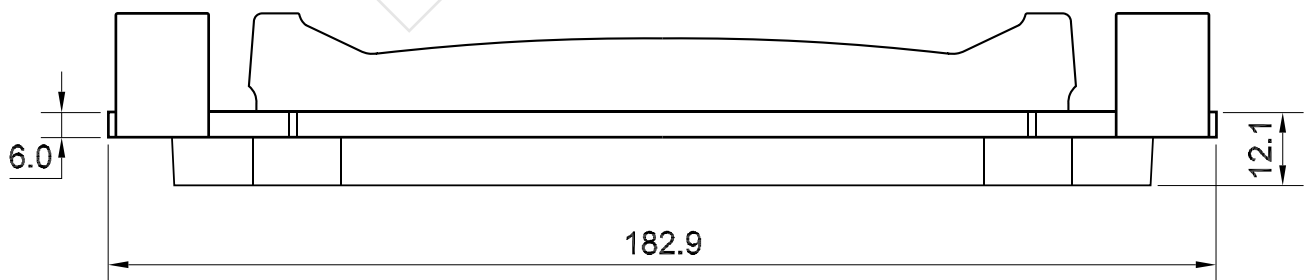
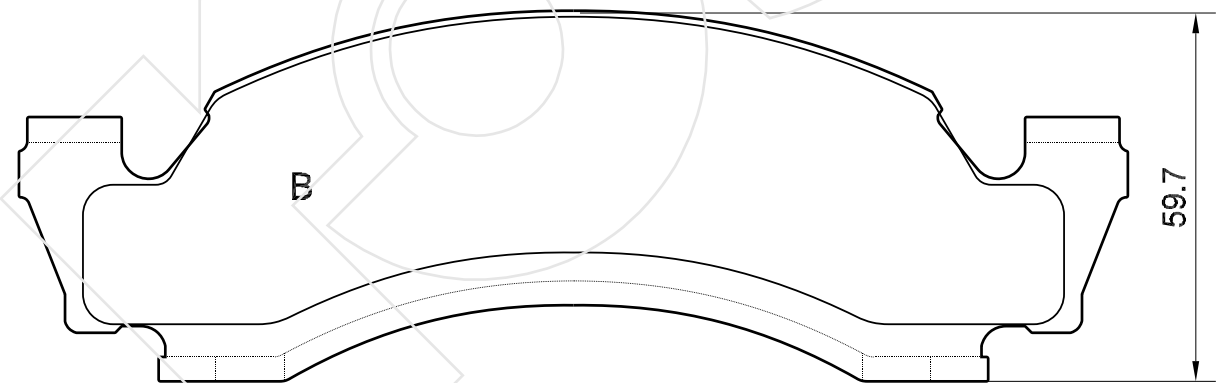
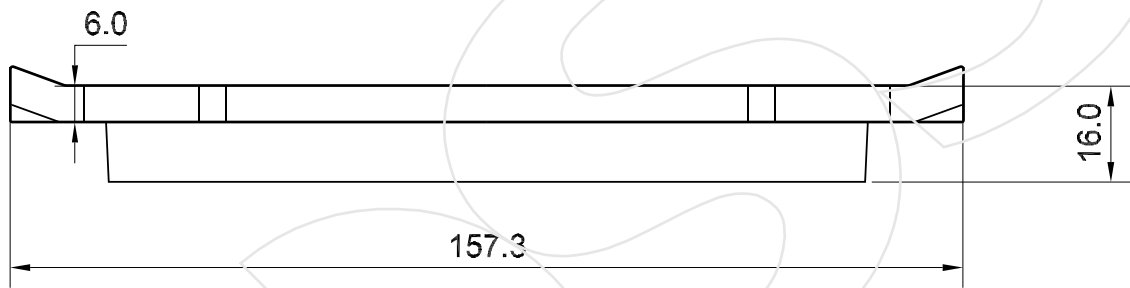
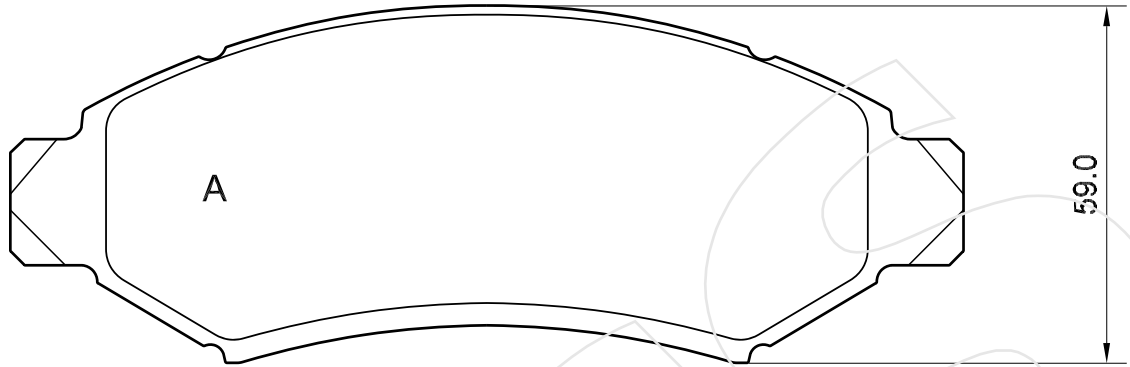
Reference in this Catalogue to other manufactures and to part numbers and other descriptions are for identification purposes only, because the above DISC BRAKE PADS are NOT ORIGINAL but with these interchangeable.

CODICE	IMPIANTO		ASSE	SCALA	APPLICAZIONI
<b>R-797</b>	BENDIX		ANTERIORE	75%	FORD MERCURY
CODICE COMPONENTI	N°	L(mm)	SERIE		
M0232	2	*	2 PEZZI TIPO A		
M0233	1	*	1 PEZZO TIPO B		
M0234	1	*	1 PEZZO TIPO C		
*	*	*	*		
CODICE ACCESSORI	N°	L(mm)	NOTE		
*	*	*			
*	*	*			
*	*	*			
*	*	*			



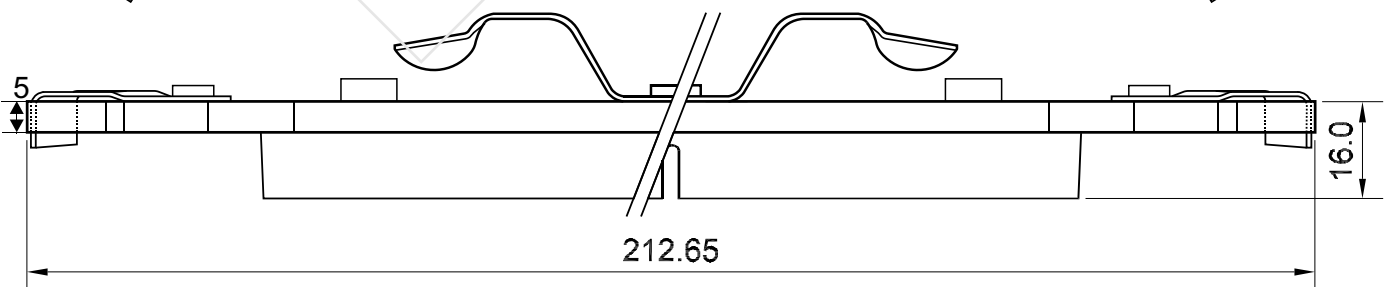
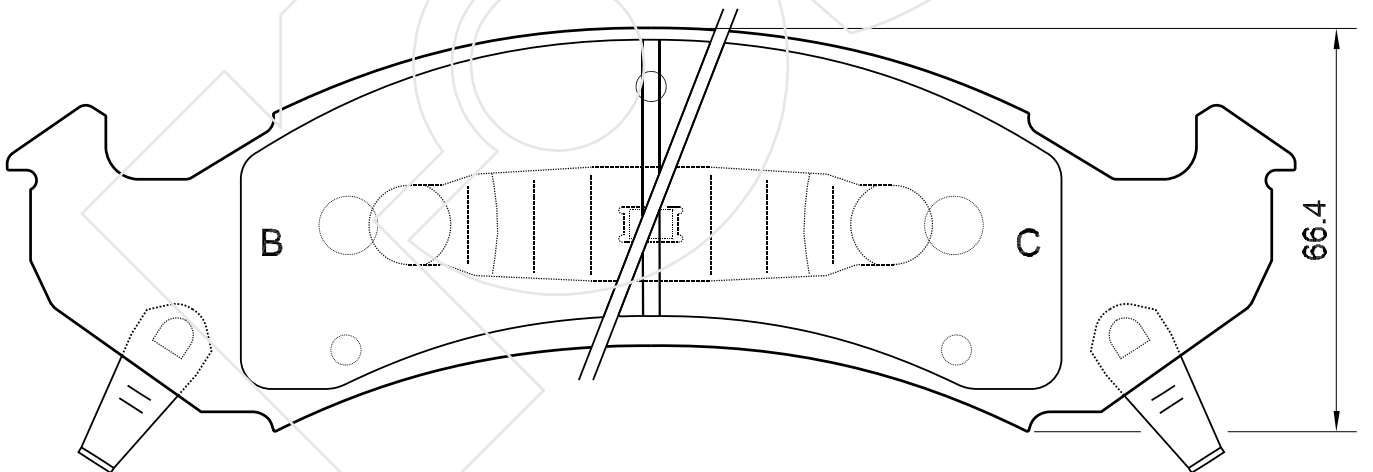
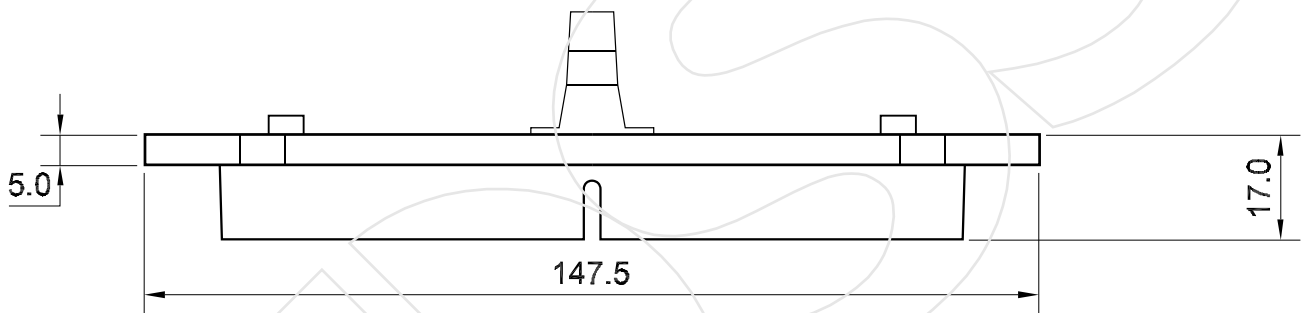
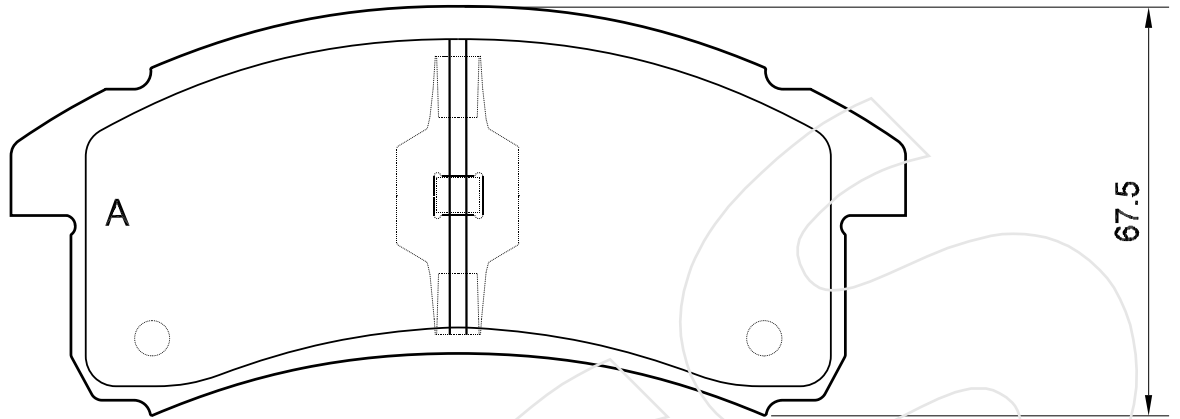
Reference in this Catalogue to other manufactures and to part numbers and other descriptions are for identification purposes only, because the above DISC BRAKE PADS are NOT ORIGINAL but with these interchangeable.

CODICE	IMPIANTO		ASSE	SCALA	APPLICAZIONI
<b>R-798</b>	WAGNER		ANTERIORE	80%	FORD TRUCK
CODICE COMPONENTI	N°	L(mm)	SERIE		
*	*	*	2 PEZZI TIPO A		
*	*	*	2 PEZZI TIPO B		
*	*	*	*		
*	*	*	*		
CODICE ACCESSORI	N°	L(mm)	NOTE		
*	*	*			
*	*	*			
*	*	*			
*	*	*			



Reference in this Catalogue to other manufactures and to part numbers and other descriptions are for identification purposes only, because the above DISC BRAKE PADS are NOT ORIGINAL but with these interchangeable.

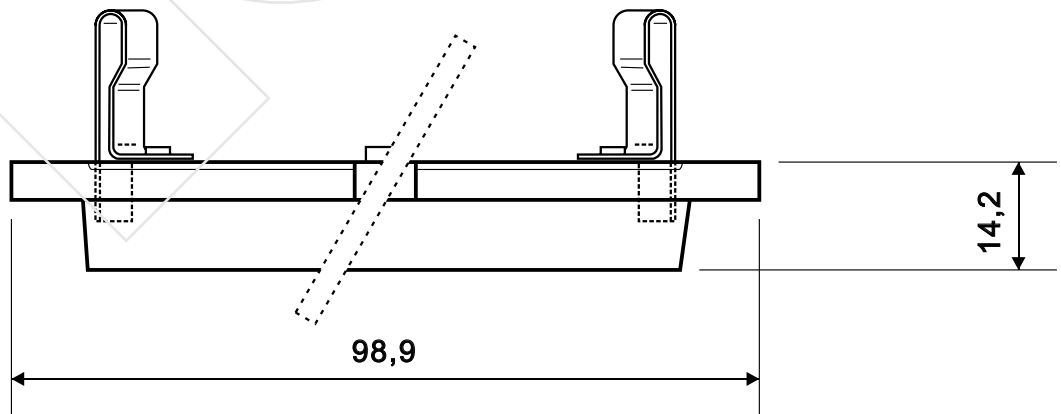
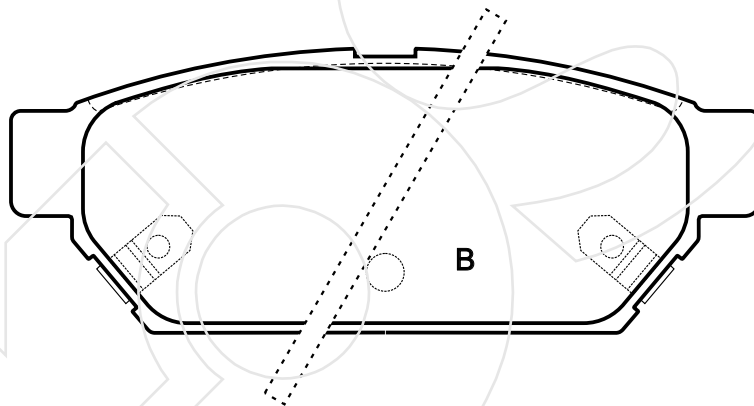
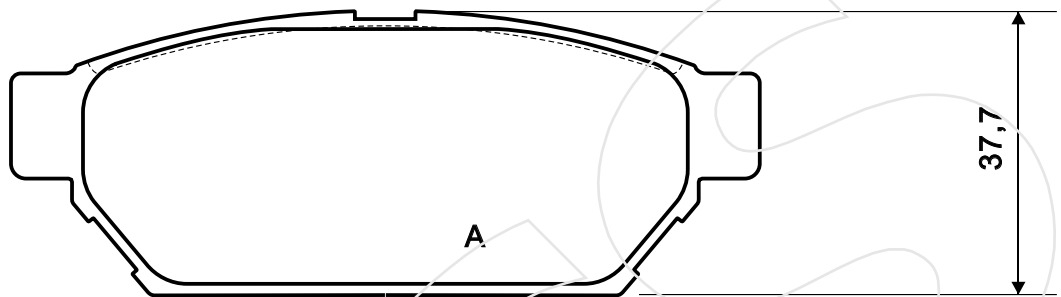
CODICE	IMPIANTO		ASSE	SCALA	APPLICAZIONI
<b>R-799</b>	DELCO		ANTERIORE	80%	BUICK CADILLAC CHEVROLET OLDSMOBILE PONTIAC
CODICE COMPONENTI	N°	L(mm)	SERIE		
M0223	2	*	2 PEZZI TIPO A		
M0211+M0189	2+2	*	1 PEZZO TIPO B		
M0211+M0189	2+2	*	1 PEZZO TIPO C		
*	*	*	*		
CODICE ACCESSORI	N°	L(mm)	NOTE		
*	*	*			
*	*	*			
*	*	*			
*	*	*			



Reference in this Catalogue to other manufactures and to part numbers and other descriptions are for identification purposes only, because the above DISC BRAKE PADS are NOT ORIGINAL but with these interchangeable.

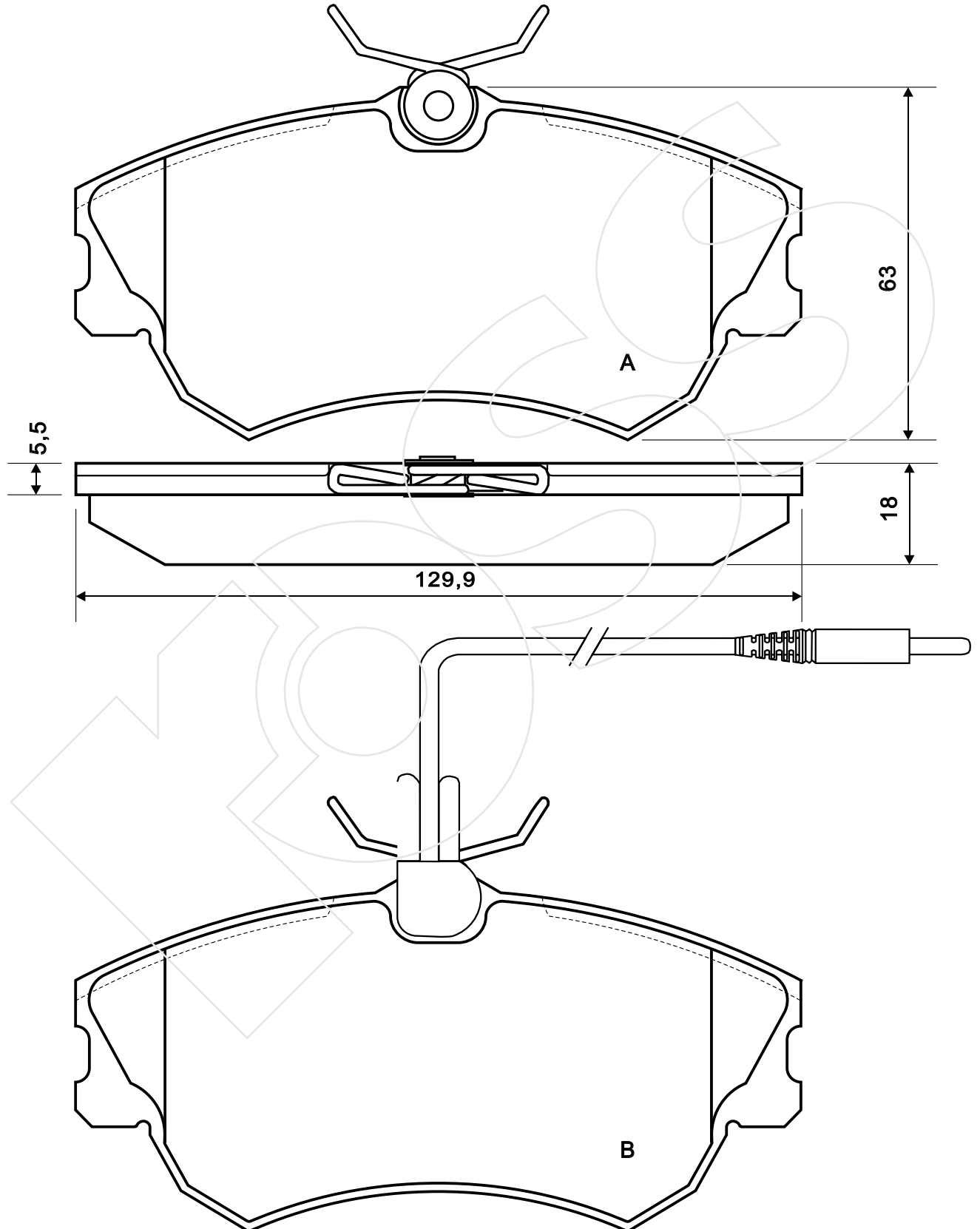


CODICE	IMPIANTO	ASSE	SCALA	APPLICAZIONI
<b>R-800</b>	AKEBONO	POSTERIORE	1:1	MITSUBISHI
CODICE COMPONENTI	N°	L(mm)	SERIE	
*	*	*	2 PEZZI TIPO A	
M0069	2		2 PEZZI TIPO B	
*	*			
CODICE ACCESSORI	N°	L(mm)	NOTE	
*	*			
*	*			
*	*			
*	*			



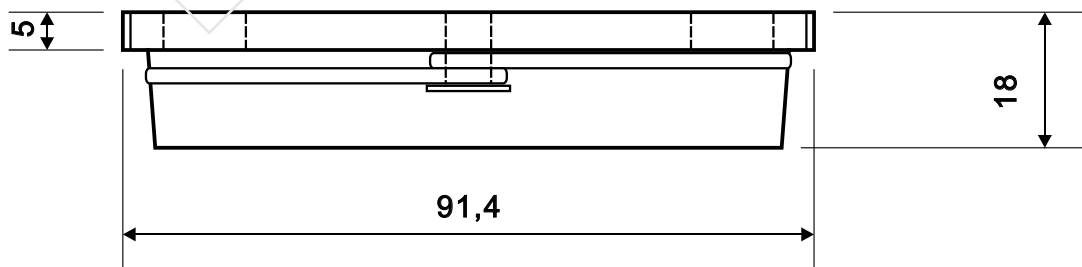
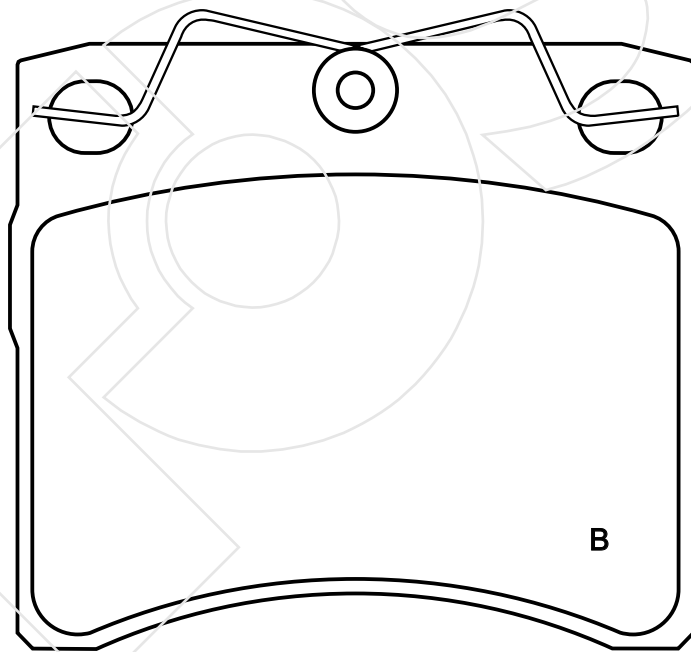
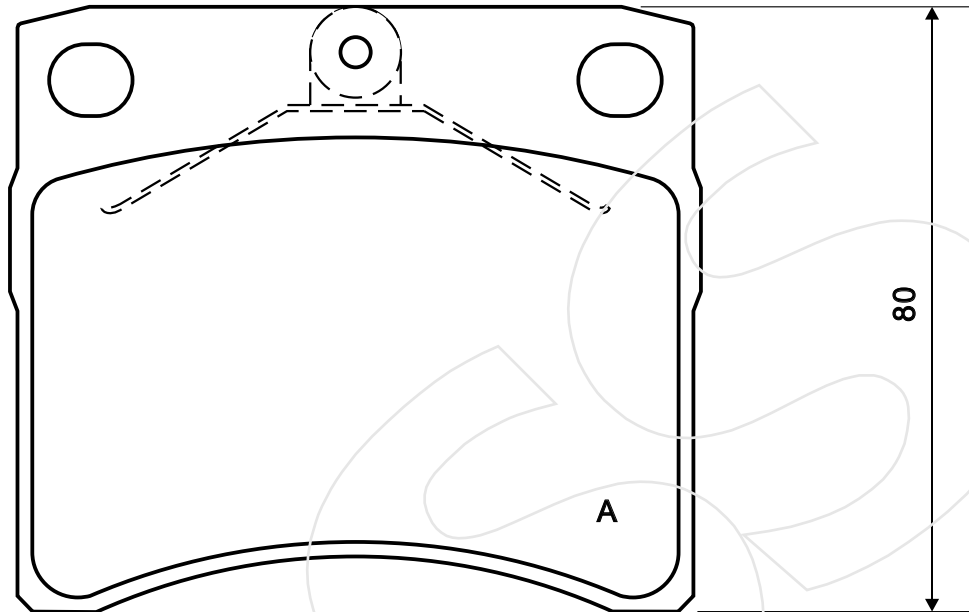
Reference in this Catalogue to other manufactures and to part numbers and other descriptions are for identification purposes only, because the above DISC BRAKE PADS are NOT ORIGINAL but with these interchangeable.

CODICE	IMPIANTO		ASSE	SCALA	APPLICAZIONI
<b>R-801</b>	GIRLING		ANTERIORE	1:1	RENAULT
CODICE COMPONENTI	N°	L(mm)	SERIE		
M0015	2	*	2 PEZZI	TIPO A	
M0015+F3074	2+2	305	2 PEZZI	TIPO B	
*	*	*			
CODICE ACCESSORI	N°	L(mm)	NOTE		
*	*	*			
*	*	*			
*	*	*			



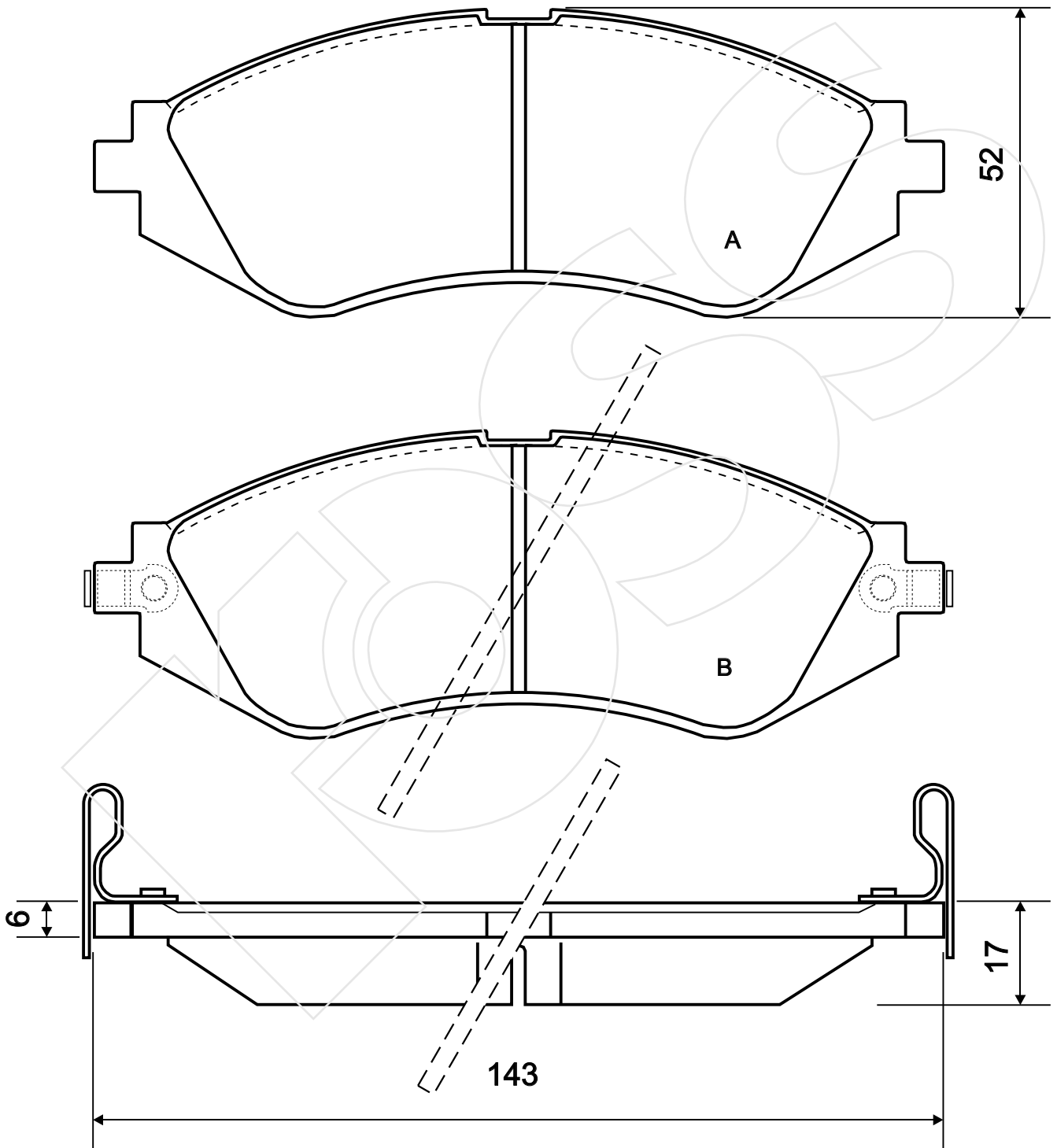
Reference in this Catalogue to other manufactures and to part numbers and other descriptions are for identification purposes only, because the above DISC BRAKE PADS are NOT ORIGINAL but with these interchangeable.

CODICE	IMPIANTO	ASSE	SCALA	APPLICAZIONI
<b>R-802</b>	GIRLING	ANTERIORE	1:1	VOLKSWAGEN
CODICE COMPONENTI	N°	L(mm)	SERIE	
M0147+P1013	2+2	*	2 PEZZI	TIPO A
M0100+P1013	2+2	*	2 PEZZI	TIPO B
*	*			
CODICE ACCESSORI	N°	L(mm)	NOTE	
*	*			
*	*			
*	*			
*	*			



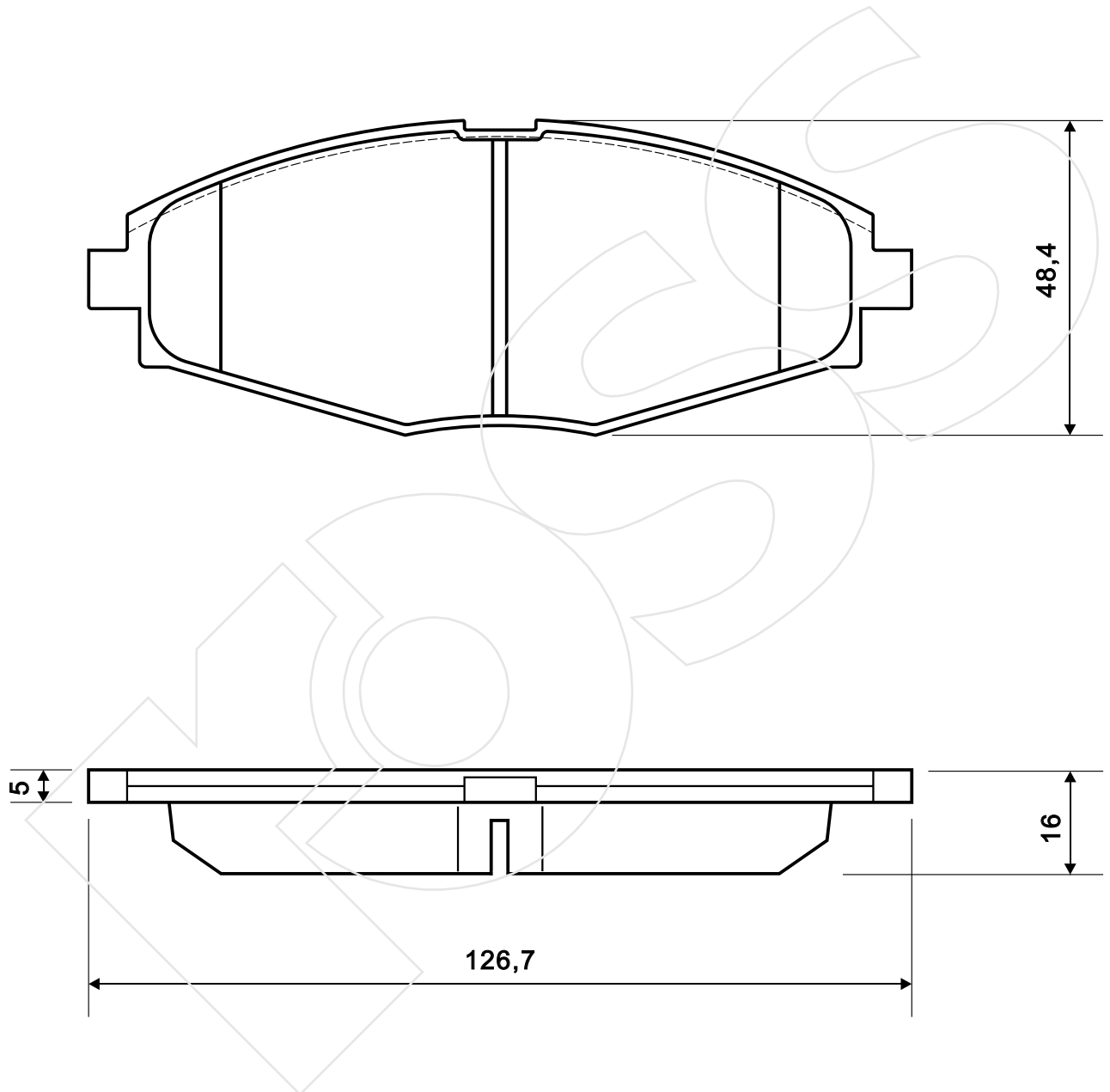
Reference in this Catalogue to other manufactures and to part numbers and other descriptions are for identification purposes only, because the above DISC BRAKE PADS are NOT ORIGINAL but with these interchangeable.

CODICE	IMPIANTO		ASSE	SCALA	APPLICAZIONI
<b>R-803</b>	AKEBONO		ANTERIORE	1:1	DAEWOO
CODICE COMPONENTI	N°	L(mm)	SERIE		
*	*	*	2 PEZZI TIPO A		
M0044	1		1 PEZZO TIPO B DX		
M0044	1		1 PEZZO TIPO B SX		
CODICE ACCESSORI	N°	L(mm)	NOTE		
*	*				
*	*				
*	*				
*	*				



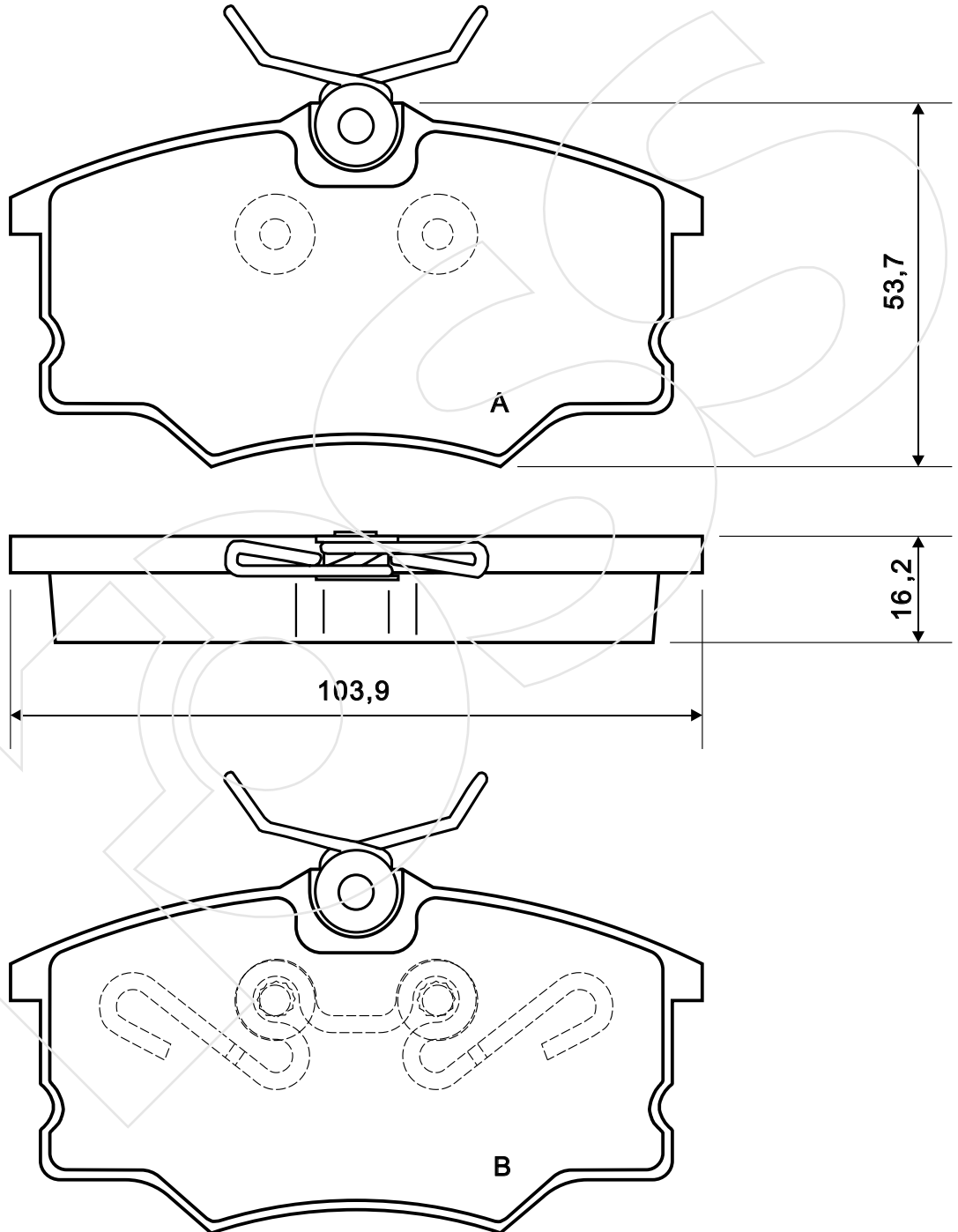
Reference in this Catalogue to other manufactures and to part numbers and other descriptions are for identification purposes only, because the above DISC BRAKE PADS are NOT ORIGINAL but with these interchangeable.

CODICE	IMPIANTO	ASSE	SCALA	APPLICAZIONI
<b>R-804</b>	AKEBONO	ANTERIORE	1:1	DAEWOO
CODICE COMPONENTI	N°	L(mm)	SERIE	
*	*	*	4 PEZZI	
*	*	*	*	
*	*	*	*	
*	*	*	*	
CODICE ACCESSORI	N°	L(mm)	NOTE	
*	*	*		
*	*	*		
*	*	*		
*	*	*		



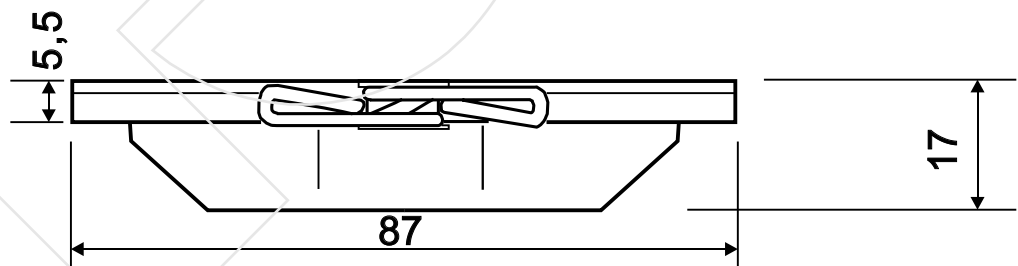
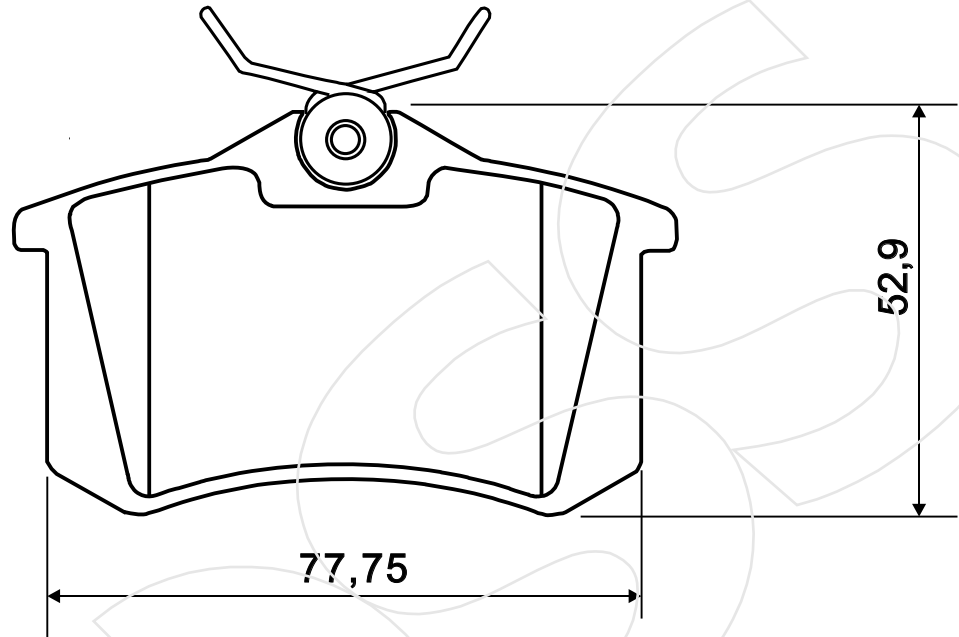
Reference in this Catalogue to other manufactures and to part numbers and other descriptions are for identification purposes only, because the above DISC BRAKE PADS are NOT ORIGINAL but with these interchangeable.

CODICE	IMPIANTO	ASSE	SCALA	APPLICAZIONI
<b>R-805</b>	GIRLING	ANTERIORE	1:1	OPEL BRASIL
CODICE COMPONENTI	N°	L(mm)	SERIE	
M0015	2	*	2 PEZZI	TIPO A
M0015+M0159+P1015	2+2+4	*	2 PEZZI	TIPO B
*	*			
CODICE ACCESSORI	N°	L(mm)	NOTE	
*	*			
*	*			
*	*			
*	*			



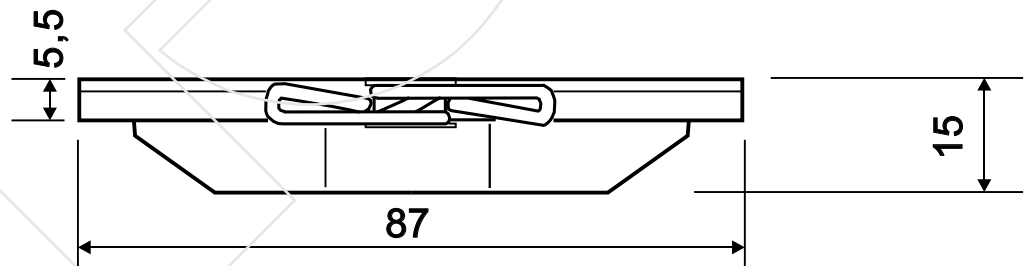
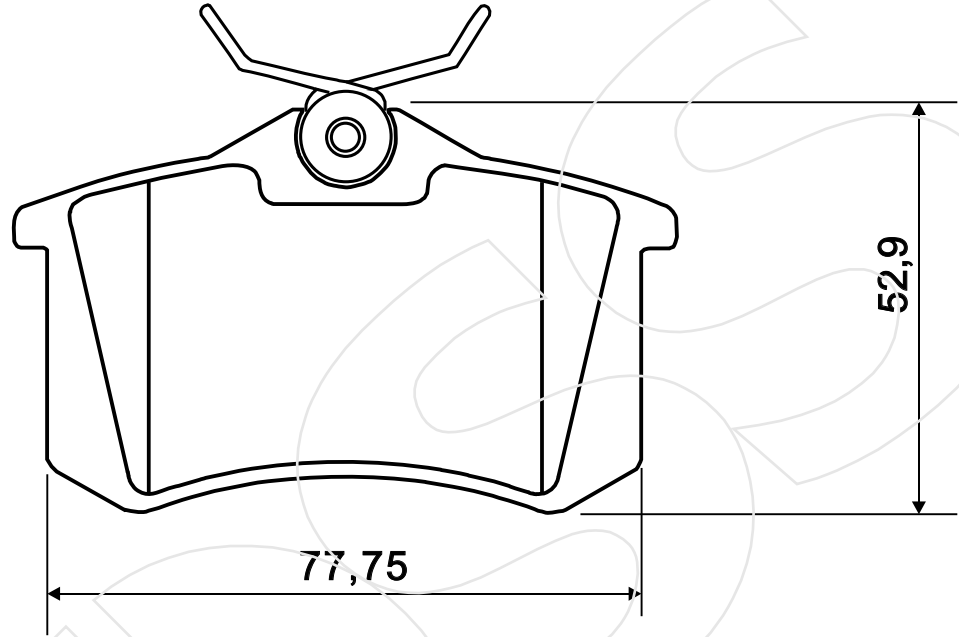
Reference in this Catalogue to other manufactures and to part numbers and other descriptions are for identification purposes only, because the above DISC BRAKE PADS are NOT ORIGINAL but with these interchangeable.

CODICE	IMPIANTO		ASSE	SCALA	APPLICAZIONI
<b>R-806</b>	GIRLING		POSTERIORE	1:1	VOLKSWAGEN
CODICE COMPONENTI	N°	L(mm)	SERIE		
M0015+P1004	4+4	*	4 PEZZI		
*	*				
*	*				
CODICE ACCESSORI	N°	L(mm)	NOTE		
*	*				
*	*				
*	*				
*	*				



Reference in this Catalogue to other manufactures and to part numbers and other descriptions are for identification purposes only, because the above DISC BRAKE PADS are NOT ORIGINAL but with these interchangeable.

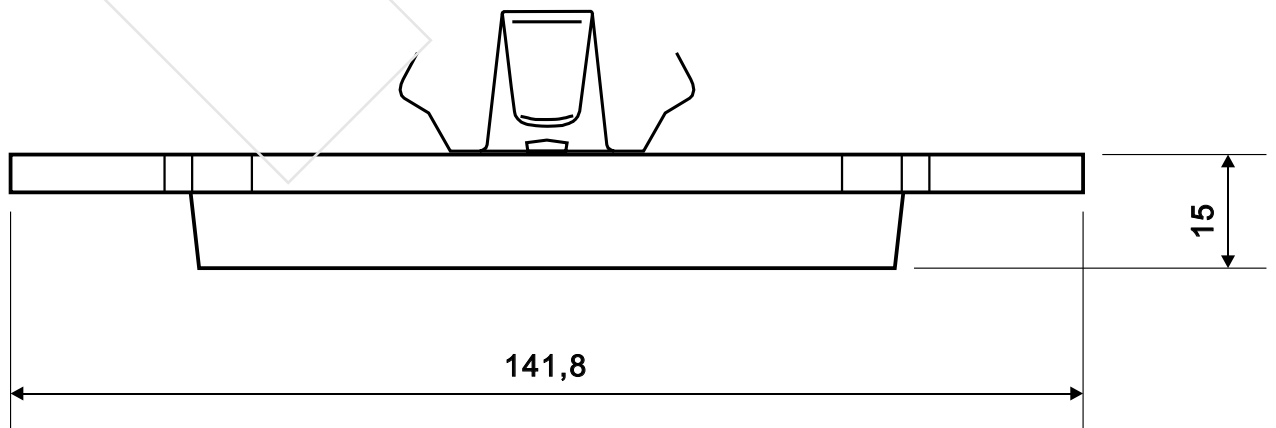
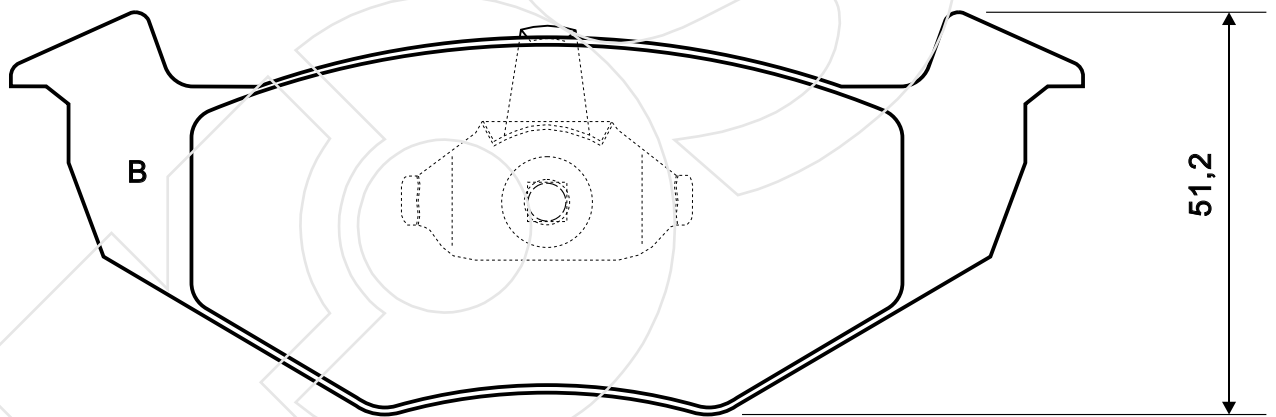
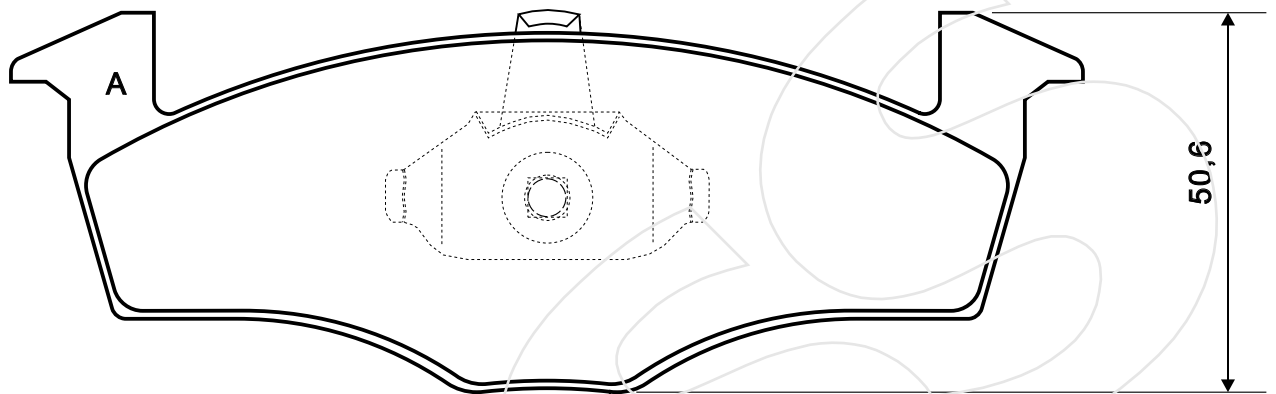
CODICE	IMPIANTO	ASSE	SCALA	APPLICAZIONI
<b>R-807</b>	GIRLING	POSTERIORE	1:1	PEUGEOT SEAT WOLKSWAGEN
CODICE COMPONENTI	N°	L(mm)	SERIE	
M0015+P1004	4+4	*	4 PEZZI	
*	*			
*	*			
CODICE ACCESSORI	N°	L(mm)	NOTE	
*	*			
*	*			
*	*			
*	*			



Reference in this Catalogue to other manufactures and to part numbers and other descriptions are for identification purposes only, because the above DISC BRAKE PADS are NOT ORIGINAL but with these interchangeable.

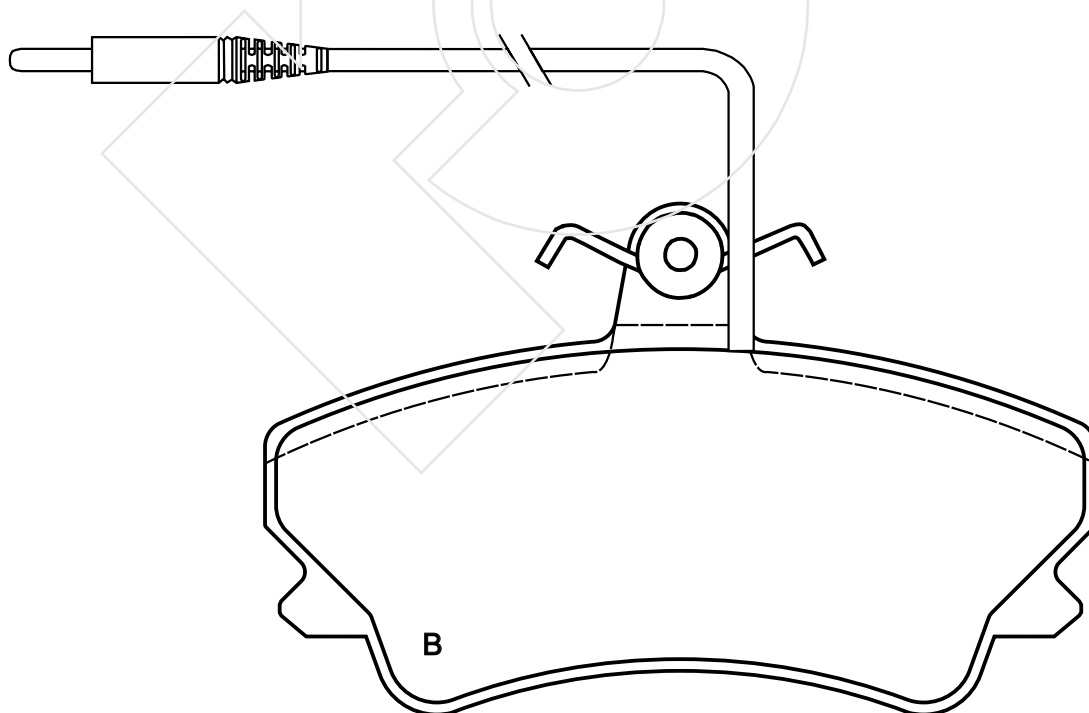
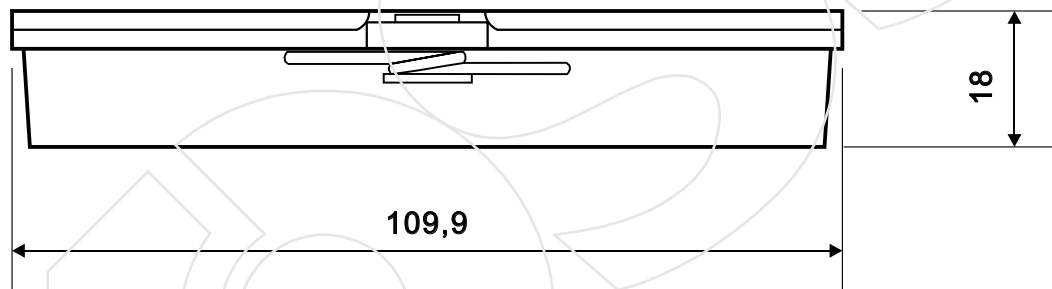
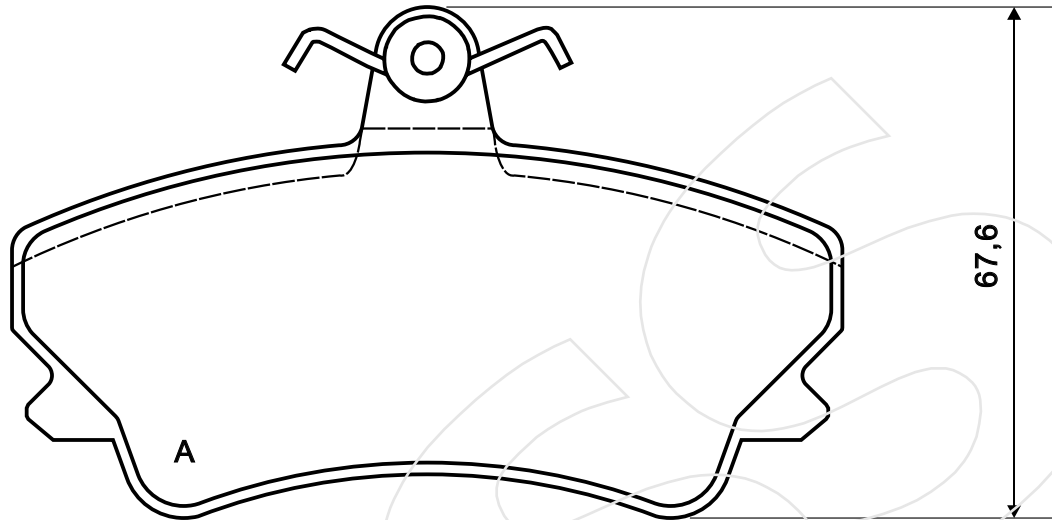


CODICE	IMPIANTO		ASSE	SCALA	APPLICAZIONI
<b>R-808</b>	KELSEY-HAYES		ANTERIORE	1:1	SEAT VOLKSWAGEN
CODICE COMPONENTI	N°	L(mm)	SERIE		
M0128	2	*	2 PEZZI	TIPO A	
M0127	2	*	2 PEZZI	TIPO B	
*	*	*	*	*	
CODICE ACCESSORI	N°	L(mm)	NOTE		
*	*	*	*	*	
*	*	*	*	*	
*	*	*	*	*	
*	*	*	*	*	



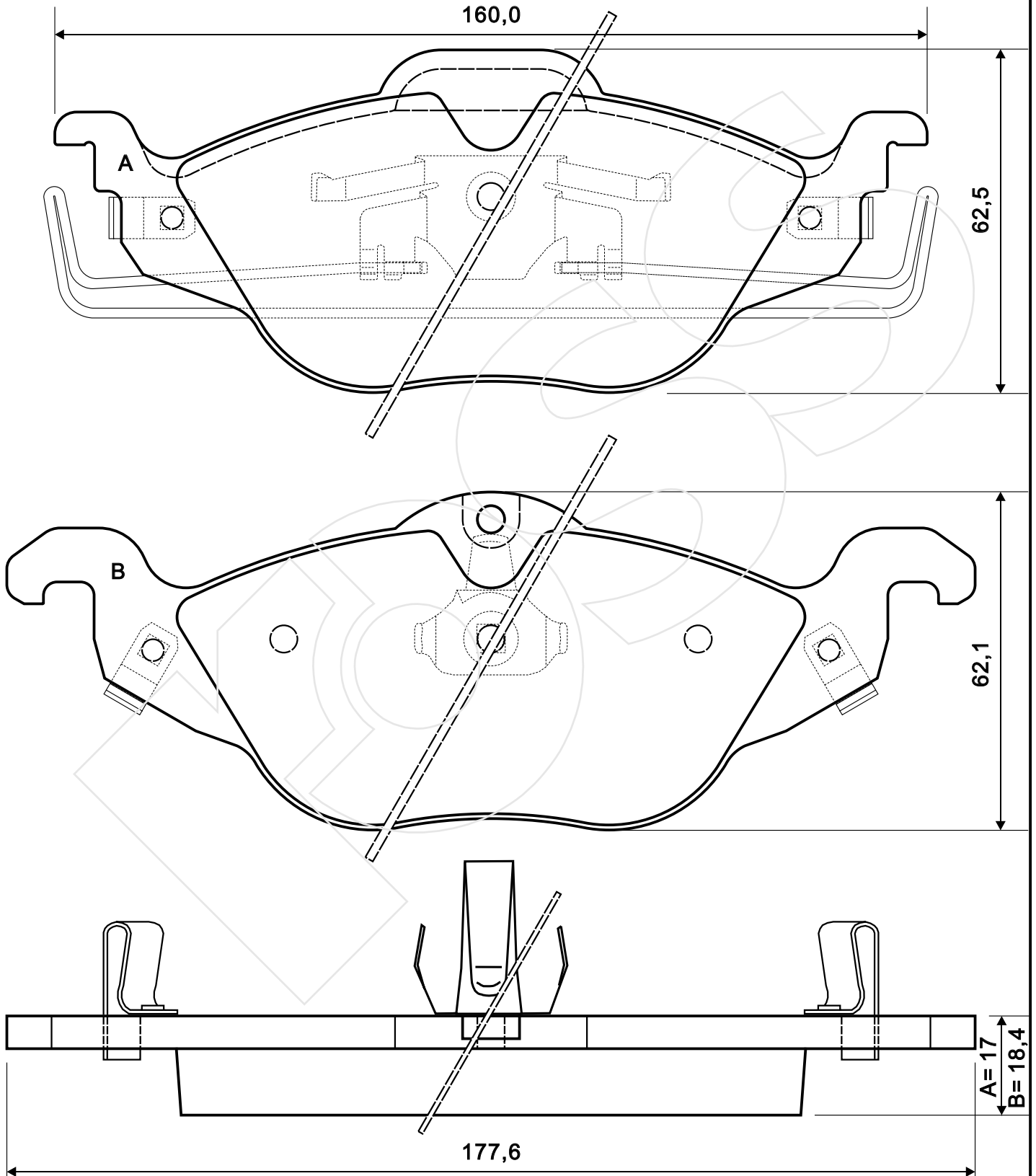
Reference in this Catalogue to other manufactures and to part numbers and other descriptions are for identification purposes only, because the above DISC BRAKE PADS are NOT ORIGINAL but with these interchangeable.

CODICE	IMPIANTO	ASSE	SCALA	APPLICAZIONI
<b>R-809</b>	GIRLING	ANTERIORE	1:1	RENAULT: ESPACE
CODICE COMPONENTI	N°	L(mm)	SERIE	
M0030+P1012	2+2		2 PEZZI TIPO A	
M0030+P1012+F3010	2+2+2	285	2 PEZZI TIPO B	
*	*			
CODICE ACCESSORI	N°	L(mm)	NOTE	
*	*			
*	*			
*	*			
*	*			



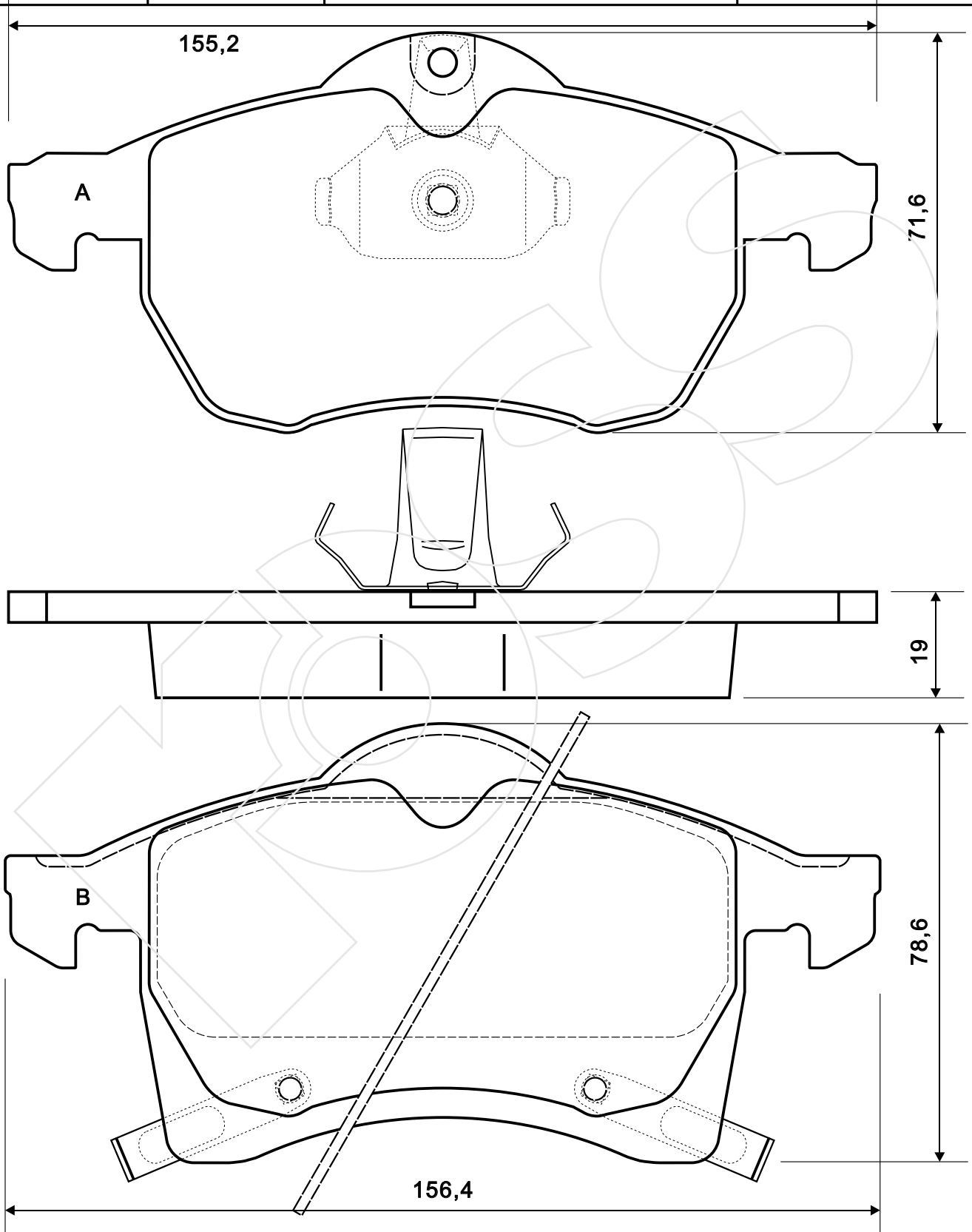
Reference in this Catalogue to other manufactures and to part numbers and other descriptions are for identification purposes only, because the above DISC BRAKE PADS are NOT ORIGINAL but with these interchangeable.

CODICE	IMPIANTO		ASSE	SCALA	APPLICAZIONI
<b>R-810</b>	ATE		ANTERIORE	1:1	OPEL
CODICE COMPONENTI	N°	L(mm)	SERIE		
M0160+M0161	2+2	*	2 PEZZI TIPO A		
M0160+M0162	2+2	*	2 PEZZI TIPO B		
*	*				
*	*				
CODICE ACCESSORI	N°	L(mm)	NOTE		
*	*				
*	*				
*	*				
*	*				



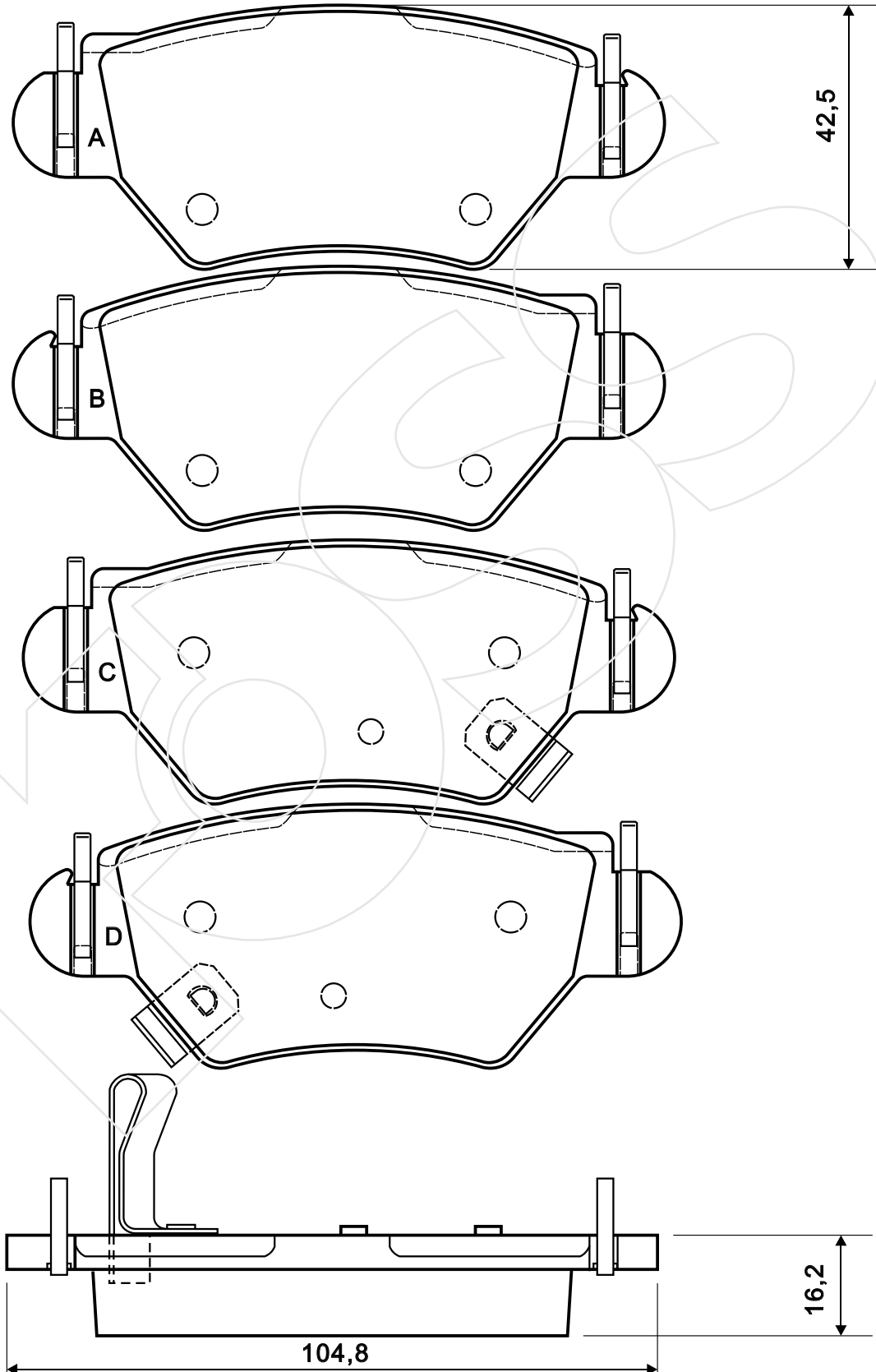
Reference in this Catalogue to other manufactures and to part numbers and other descriptions are for identification purposes only, because the above DISC BRAKE PADS are NOT ORIGINAL but with these interchangeable.

CODICE	IMPIANTO		ASSE	SCALA	APPLICAZIONI
<b>R-811</b>	ATE		ANTERIORE	1:1	OPEL
CODICE COMPONENTI	N°	L(mm)	SERIE		
M0132	2	*	2 PEZZI TIPO A		
M0157	2	*	2 PEZZI TIPO B		
*	*				
CODICE ACCESSORI	N°	L(mm)	NOTE		
*	*				
*	*				
*	*				
*	*				



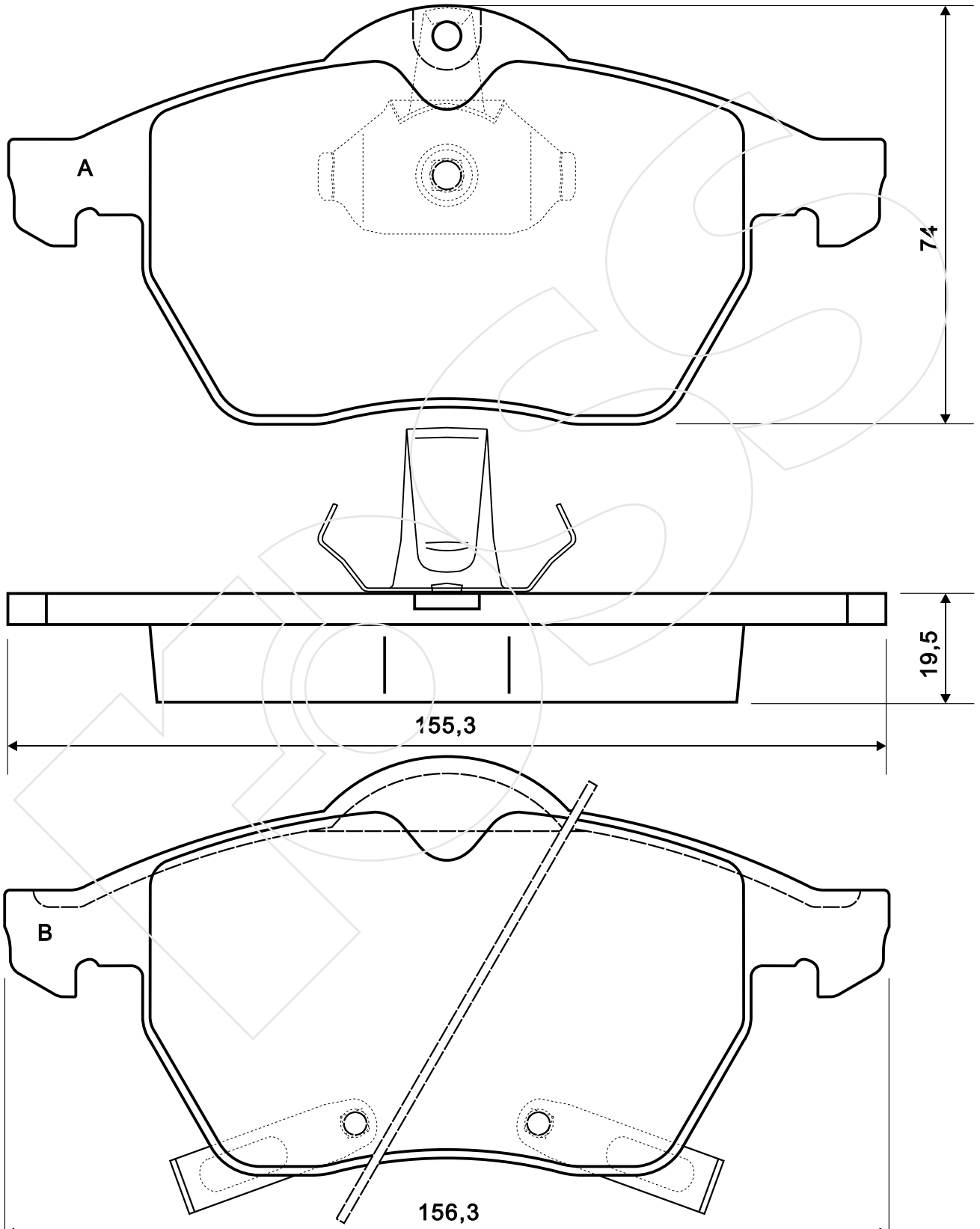
Reference in this Catalogue to other manufactures and to part numbers and other descriptions are for identification purposes only, because the above DISC BRAKE PADS are NOT ORIGINAL but with these interchangeable.

CODICE	IMPIANTO		ASSE	SCALA	APPLICAZIONI
<b>R-812</b>	BOSCH		POSTERIORE	1:1	OPEL
CODICE COMPONENTI	N°	L(mm)	SERIE		
M0180	2	*	1 PEZZO TIPO A		
M0180	2		1 PEZZO TIPO B		
M0180+M0156	2+1		1 PEZZO TIPO C		
M0180+M0156	2+1		1 PEZZO TIPO D		
CODICE ACCESSORI	N°	L(mm)	NOTE		
*	*				
*	*				
*	*				
*	*				



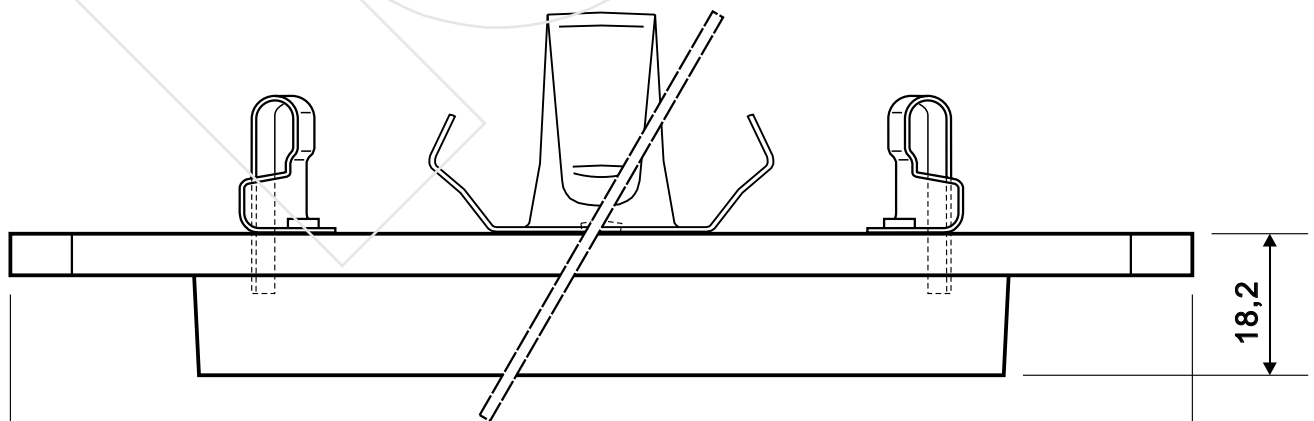
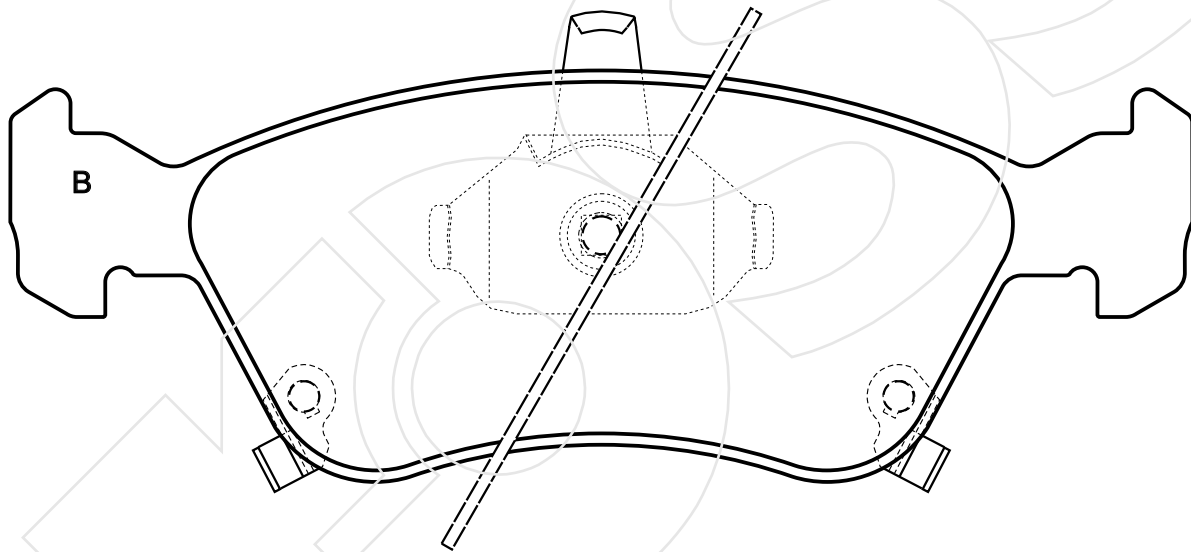
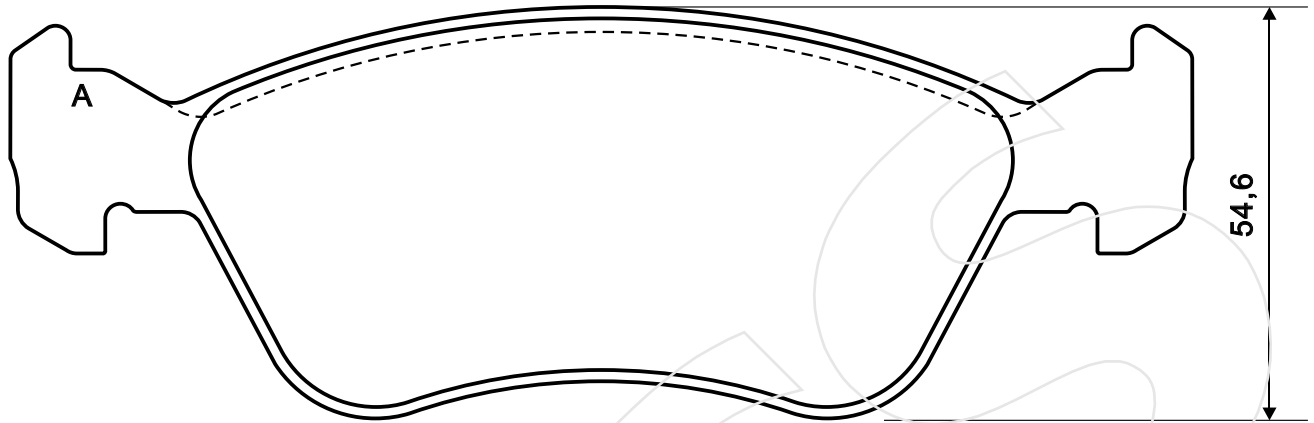
Reference in this Catalogue to other manufactures and to part numbers and other descriptions are for identification purposes only, because the above DISC BRAKE PADS are NOT ORIGINAL but with these interchangeable.

CODICE	IMPIANTO	ASSE	SCALA	APPLICAZIONI
<b>R-813</b>	ATE	ANTERIORE	1:1	SAAB
CODICE COMPONENTI	N°	L(mm)	SERIE	
M0132	2	*	2 PEZZI TIPO A	
M0158	2	*	2 PEZZI TIPO B	
*	*			
CODICE ACCESSORI	N°	L(mm)	NOTE	
*	*			
*	*			
*	*			
*	*			



Reference in this Catalogue to other manufactures and to part numbers and other descriptions are for identification purposes only, because the above DISC BRAKE PADS are NOT ORIGINAL but with these interchangeable.

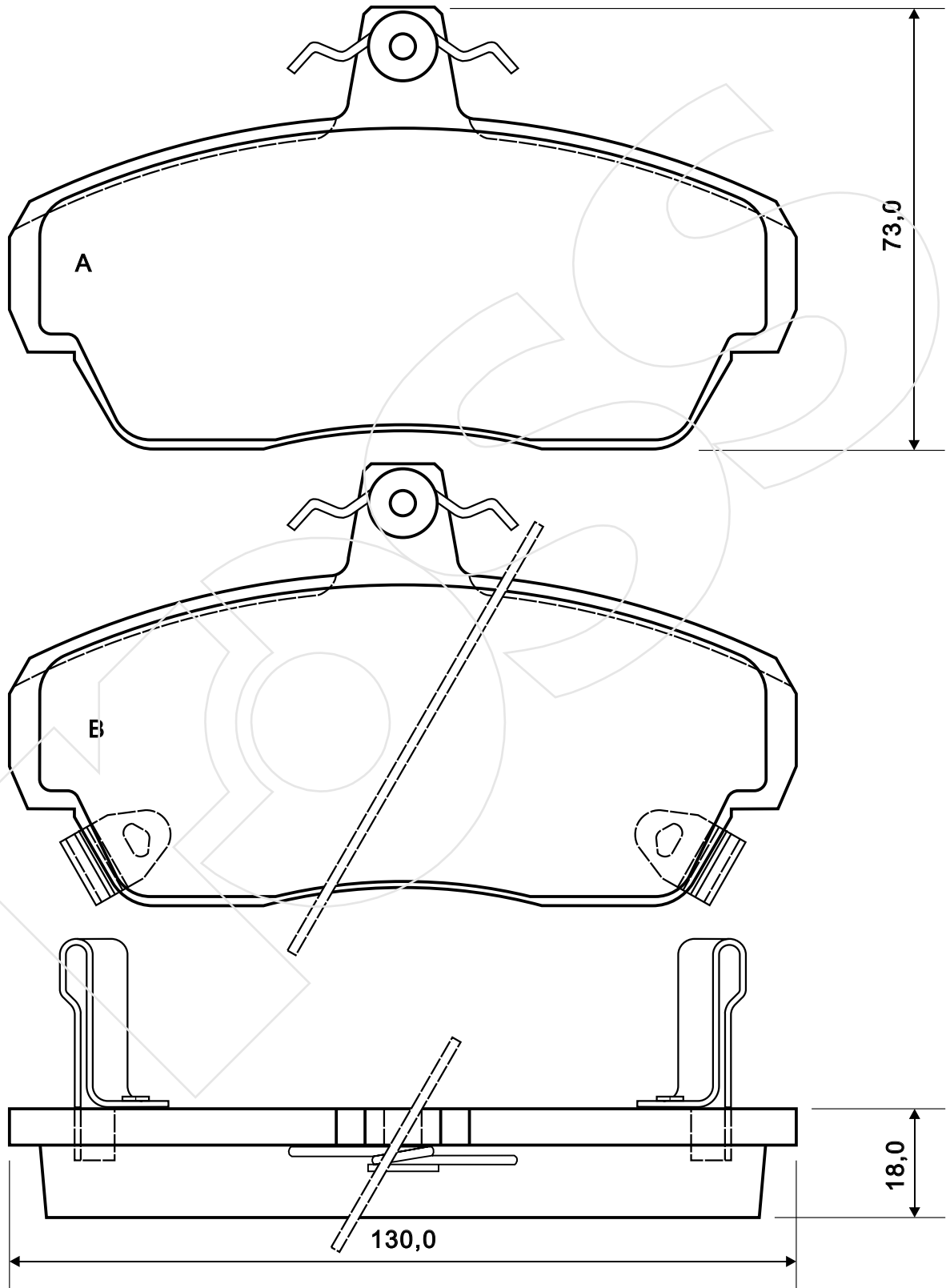
CODICE	IMPIANTO		ASSE	SCALA	APPLICAZIONI
<b>R-814</b>	*		ANTERIORE	1:1	TOYOTA:
CODICE COMPONENTI	N°	L(mm)	SERIE		
*	*	*	2 PEZZI TIPO A		
M0132 + M0094	1+1		1 PEZZO TIPO B DX		
M0132 + M0095	1+1		1 PEZZO TIPO B SX		
CODICE ACCESSORI	N°	L(mm)	NOTE		
*	*				
*	*				
*	*				
*	*				



156,3

Reference in this Catalogue to other manufactures and to part numbers and other descriptions are for identification purposes only, because the above DISC BRAKE PADS are NOT ORIGINAL but with these interchangeable.

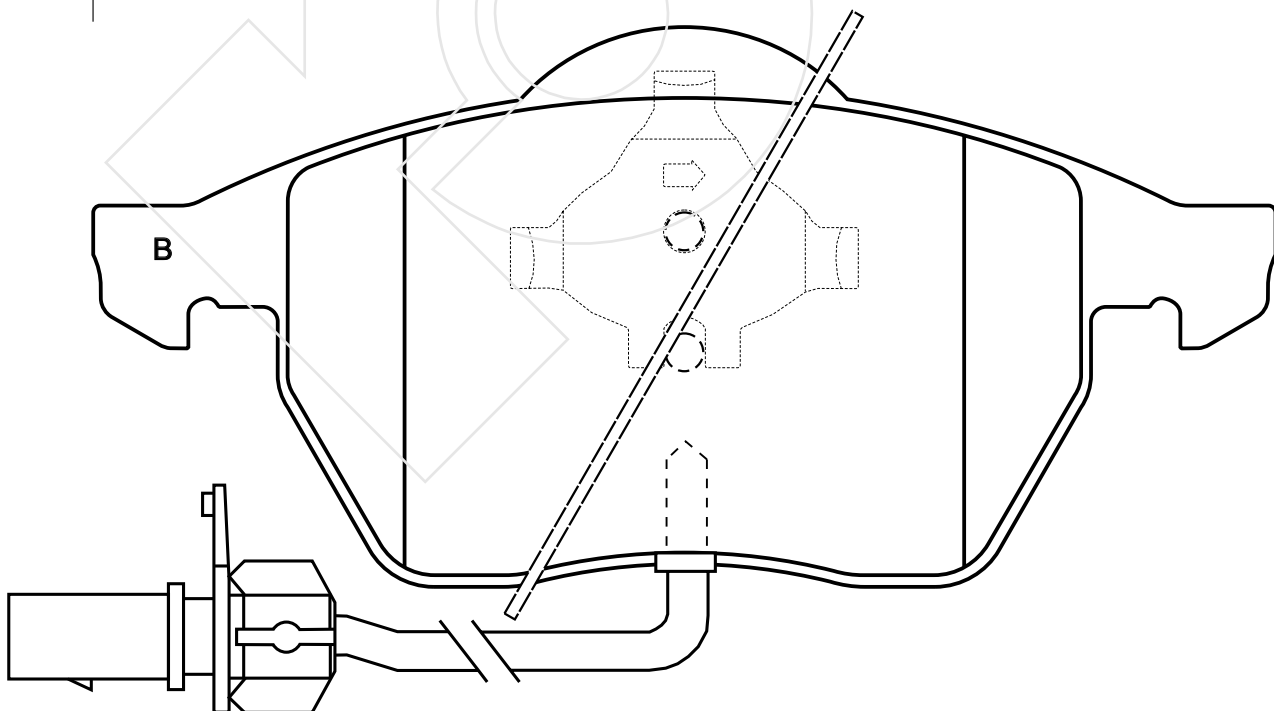
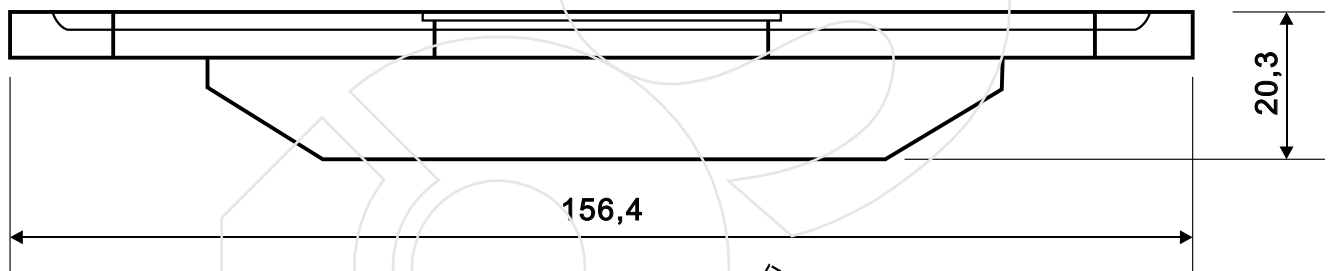
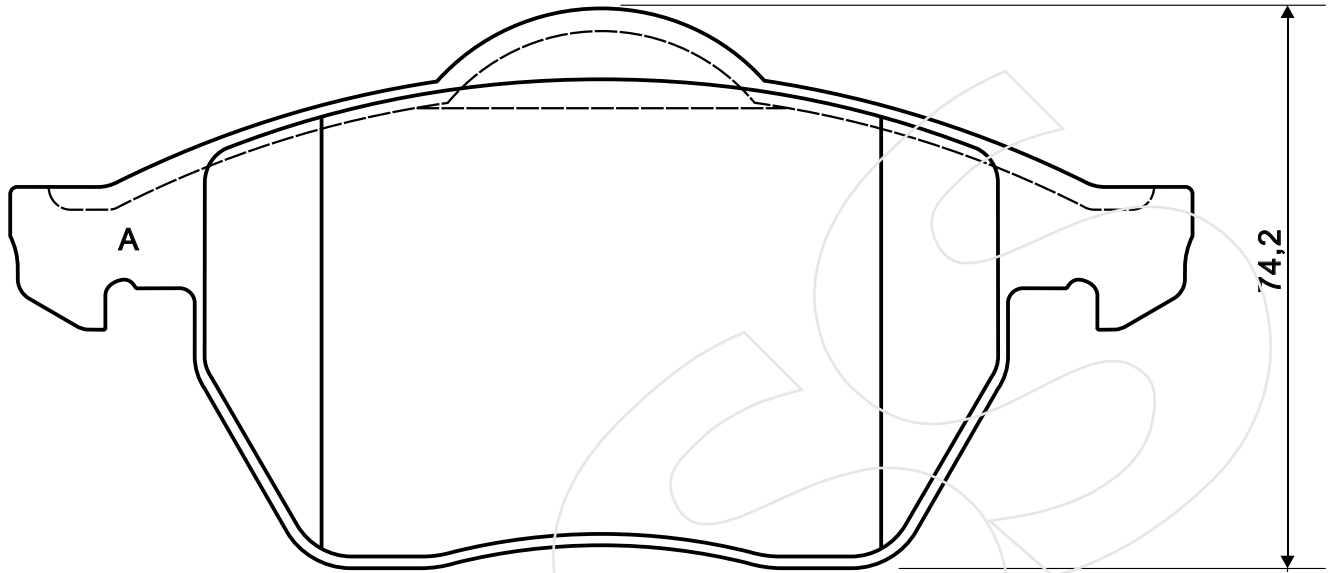
CODICE	IMPIANTO	ASSE	SCALA	APPLICAZIONI
<b>R-815</b>	GIRLING	ANTERIORE	1:1	ROVER
CODICE COMPONENTI	N°	L(mm)	SERIE	
M0030	2	*	2 PEZZI TIPO A	
M0030 + M0084	1+1		1 PEZZO TIPO B DX	
M0030 + M0084	1+1		1 PEZZO TIPO B SX	
CODICE ACCESSORI	N°	L(mm)	NOTE	
*	*			
*	*			
*	*			
*	*			



Reference in this Catalogue to other manufactures and to part numbers and other descriptions are for identification purposes only, because the above DISC BRAKE PADS are NOT ORIGINAL but with these interchangeable.

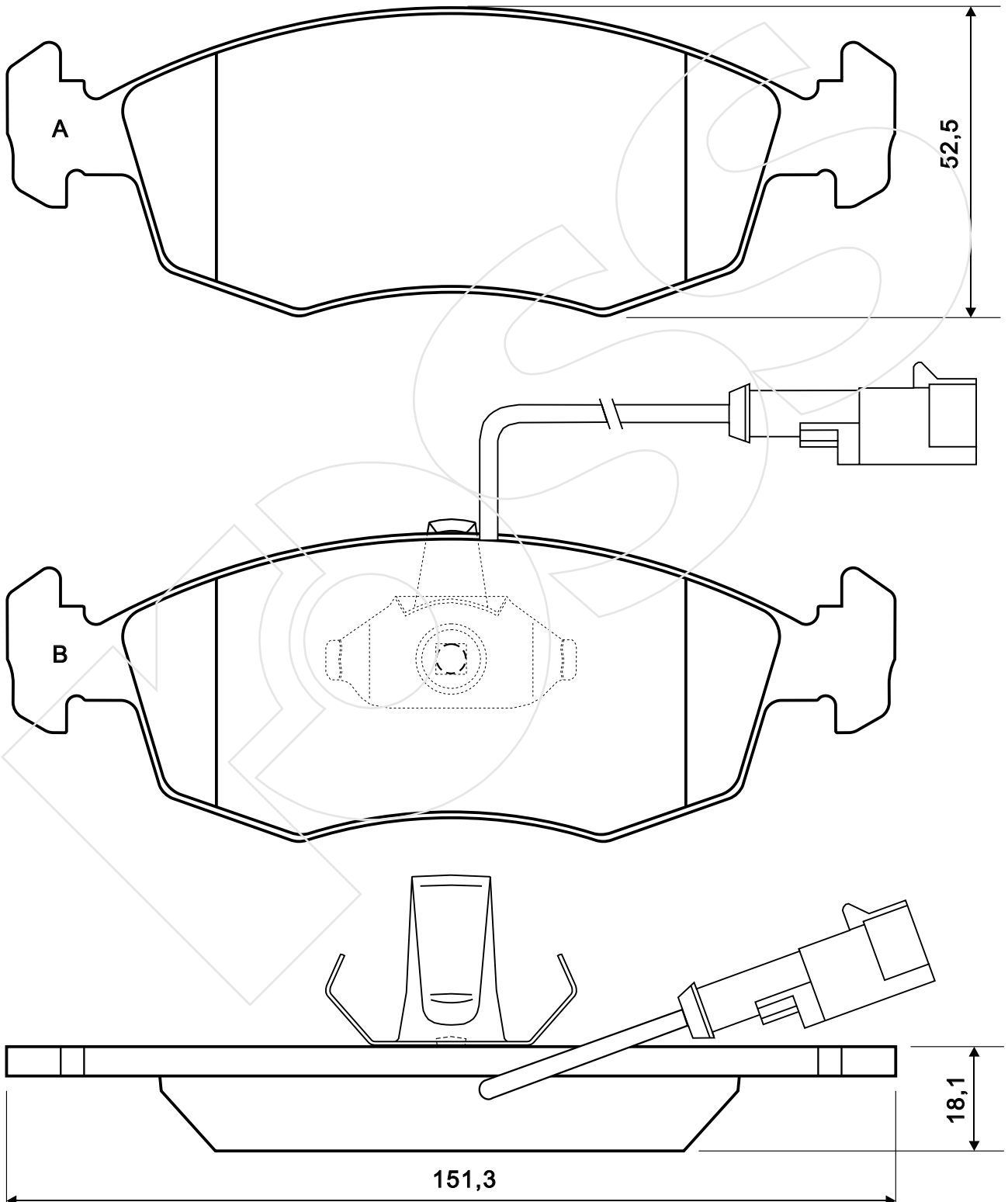


CODICE	IMPIANTO		ASSE	SCALA	APPLICAZIONI
<b>R-816</b>	ATE		ANTERIORE	1:1	AUDI
CODICE COMPONENTI	N°	L(mm)	SERIE		
*	*	*	2 PEZZI TIPO A		
M0139+F3044	1+1	215	1 PEZZO TIPO B DX		
M0140+F3044	1+1	215	1 PEZZO TIPO B SX		
CODICE ACCESSORI	N°	L(mm)	NOTE		
*	*	*			
*	*	*			
*	*	*			
*	*	*			



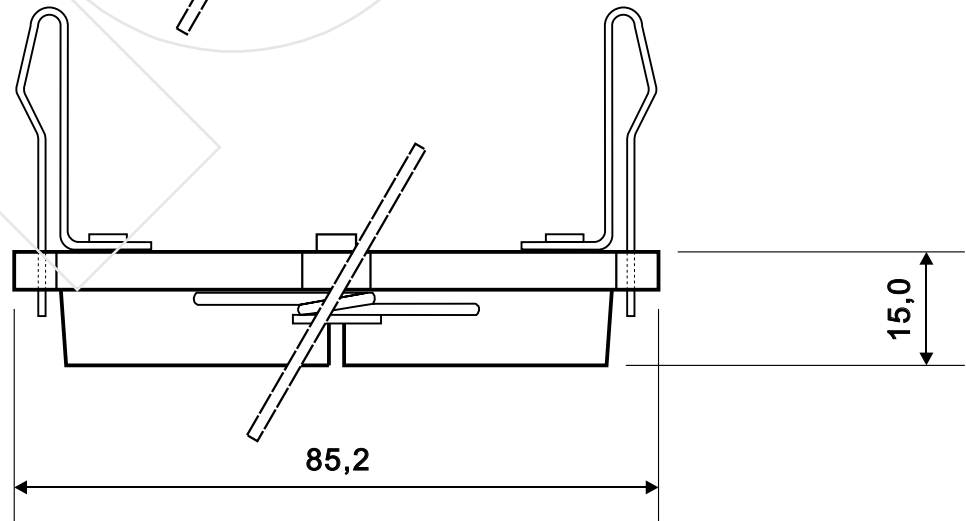
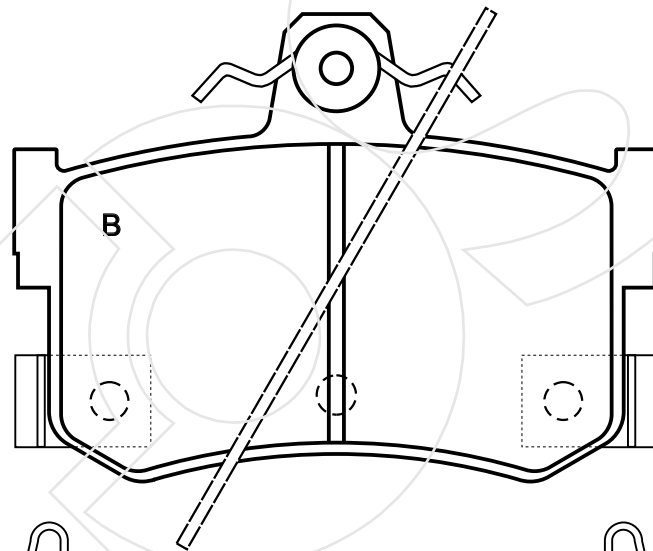
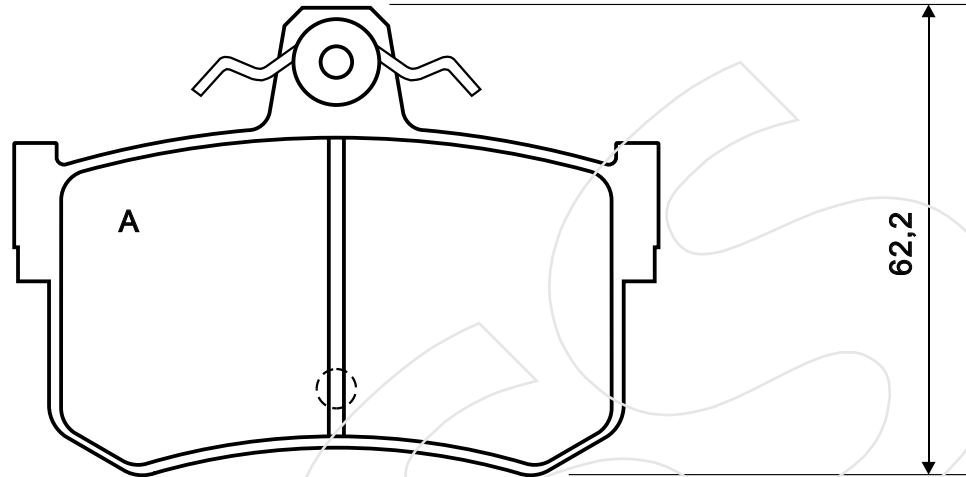
Reference in this Catalogue to other manufactures and to part numbers and other descriptions are for identification purposes only, because the above DISC BRAKE PADS are NOT ORIGINAL but with these interchangeable.

CODICE	IMPIANTO		ASSE	SCALA	APPLICAZIONI
<b>R-817</b>	ATE		ANTERIORE	1:1	FIAT
CODICE COMPONENTI	N°	L(mm)	SERIE		
*	*	*	2 PEZZI TIPO A		
M0133+ F3020	2+2	250	2 PEZZI TIPO B		
*	*	*			
*	*	*			
CODICE ACCESSORI	N°	L(mm)	NOTE		
*	*	*			
*	*	*			
*	*	*			
*	*	*			



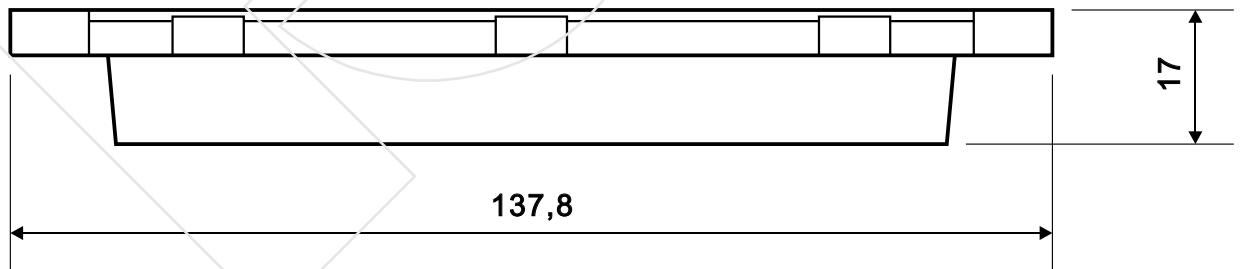
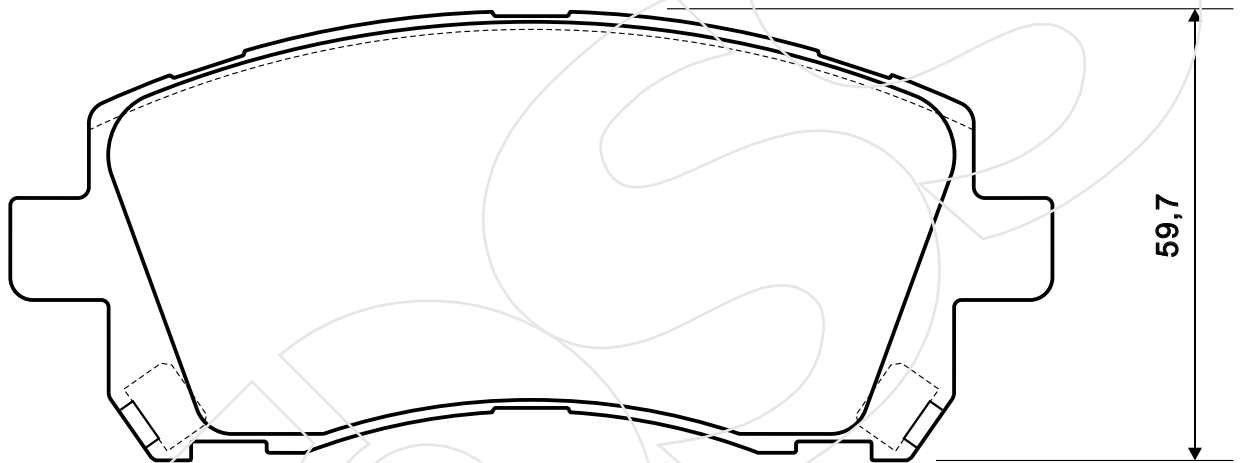
Reference in this Catalogue to other manufactures and to part numbers and other descriptions are for identification purposes only, because the above DISC BRAKE PADS are NOT ORIGINAL but with these interchangeable.

CODICE	IMPIANTO	ASSE	SCALA	APPLICAZIONI
<b>R-818</b>	GIRLING	POSTERIORE	1:1	ROVER
CODICE COMPONENTI	N°	L(mm)	SERIE	
M0030	2	*	2 PEZZI TIPO A	
M0030+M0092	1+1		1 PEZZO TIPO B DX	
M0030+M0092	1+1		1 PEZZO TIPO B SX	
CODICE ACCESSORI	N°	L(mm)	NOTE	
*	*			
*	*			
*	*			
*	*			



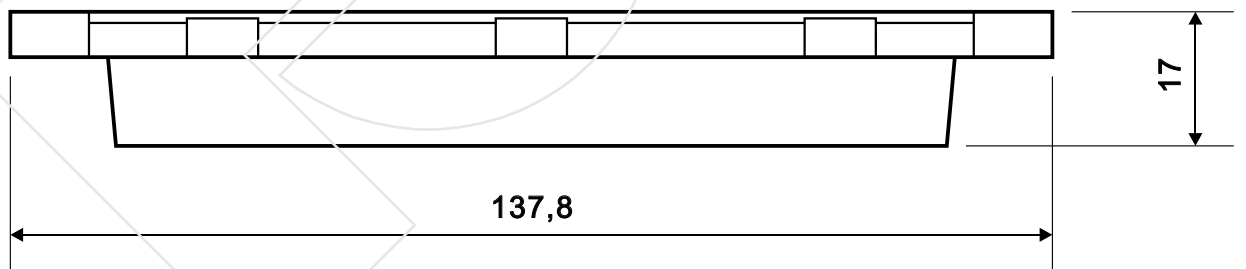
Reference in this Catalogue to other manufactures and to part numbers and other descriptions are for identification purposes only, because the above DISC BRAKE PADS are NOT ORIGINAL but with these interchangeable.

CODICE	IMPIANTO	ASSE	SCALA	APPLICAZIONI
<b>R-819</b>	AKEBONO	ANTERIORE	1:1	SUBARU
CODICE COMPONENTI	N°	L(mm)	SERIE	
*	*	*	4 PEZZI	
*	*			
*	*			
CODICE ACCESSORI	N°	L(mm)	NOTE	
*	*			
*	*			
*	*			
*	*			



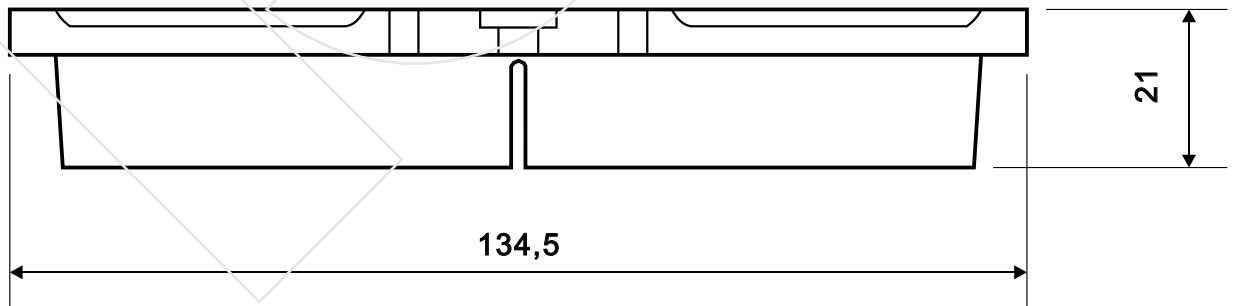
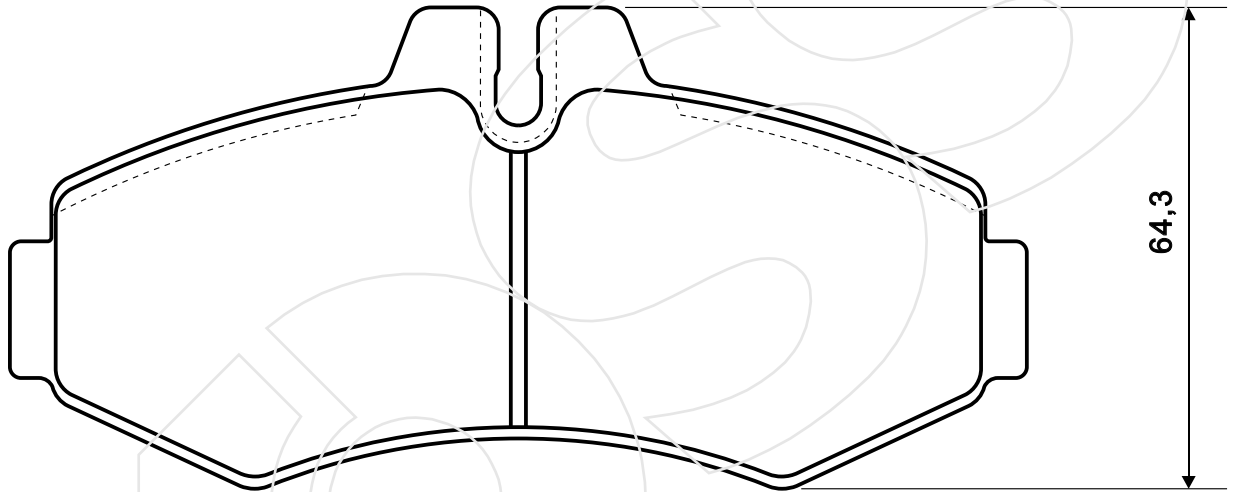
Reference in this Catalogue to other manufactures and to part numbers and other descriptions are for identification purposes only, because the above DISC BRAKE PADS are NOT ORIGINAL but with these interchangeable.

CODICE	IMPIANTO	ASSE	SCALA	APPLICAZIONI
<b>R-820</b>	AKEBONO	ANTERIORE	1:1	SUBARU
CODICE COMPONENTI	N°	L(mm)	SERIE	
*	*	*	4 PEZZI	
*	*			
*	*			
CODICE ACCESSORI	N°	L(mm)	NOTE	
*	*			
*	*			
*	*			
*	*			



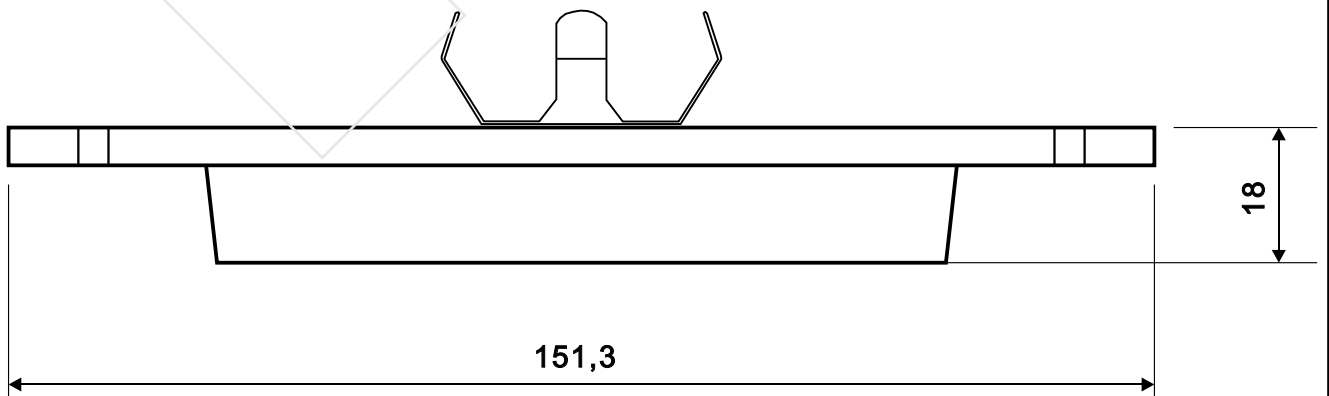
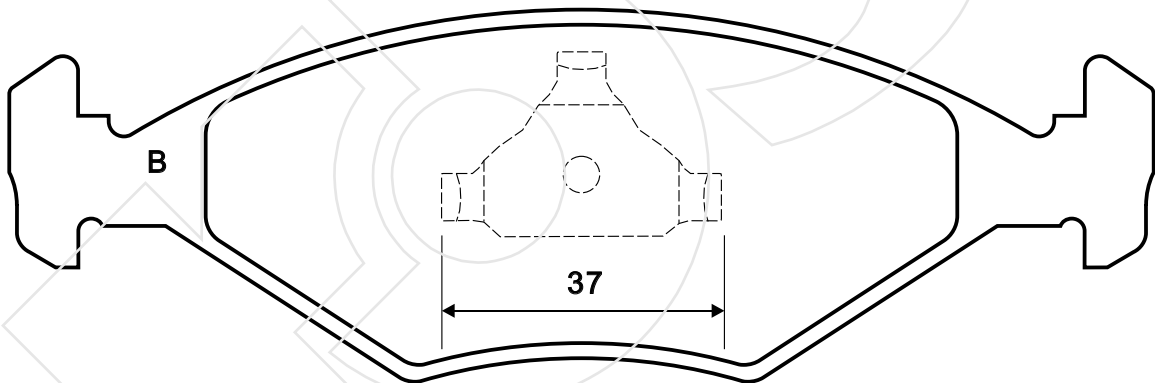
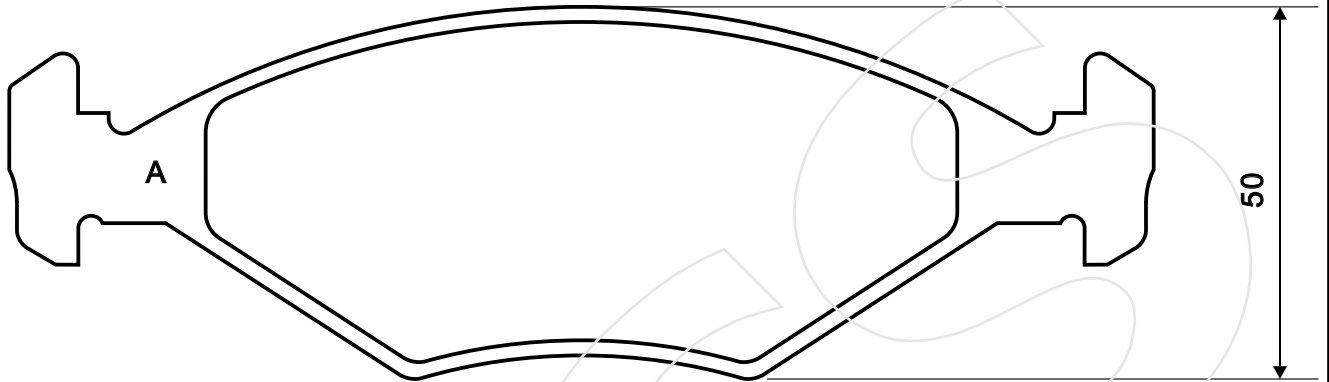
Reference in this Catalogue to other manufactures and to part numbers and other descriptions are for identification purposes only, because the above DISC BRAKE PADS are NOT ORIGINAL but with these interchangeable.

CODICE	IMPIANTO		ASSE	SCALA	APPLICAZIONI
<b>R-821</b>	PERROT		ANTERIORE	1:1	MERCEDES
CODICE COMPONENTI	N°	L(mm)	SERIE		
*	*	*	4 PEZZI		
*	*				
*	*				
CODICE ACCESSORI	N°	L(mm)	NOTE		
*	*				
*	*				
*	*				
*	*				



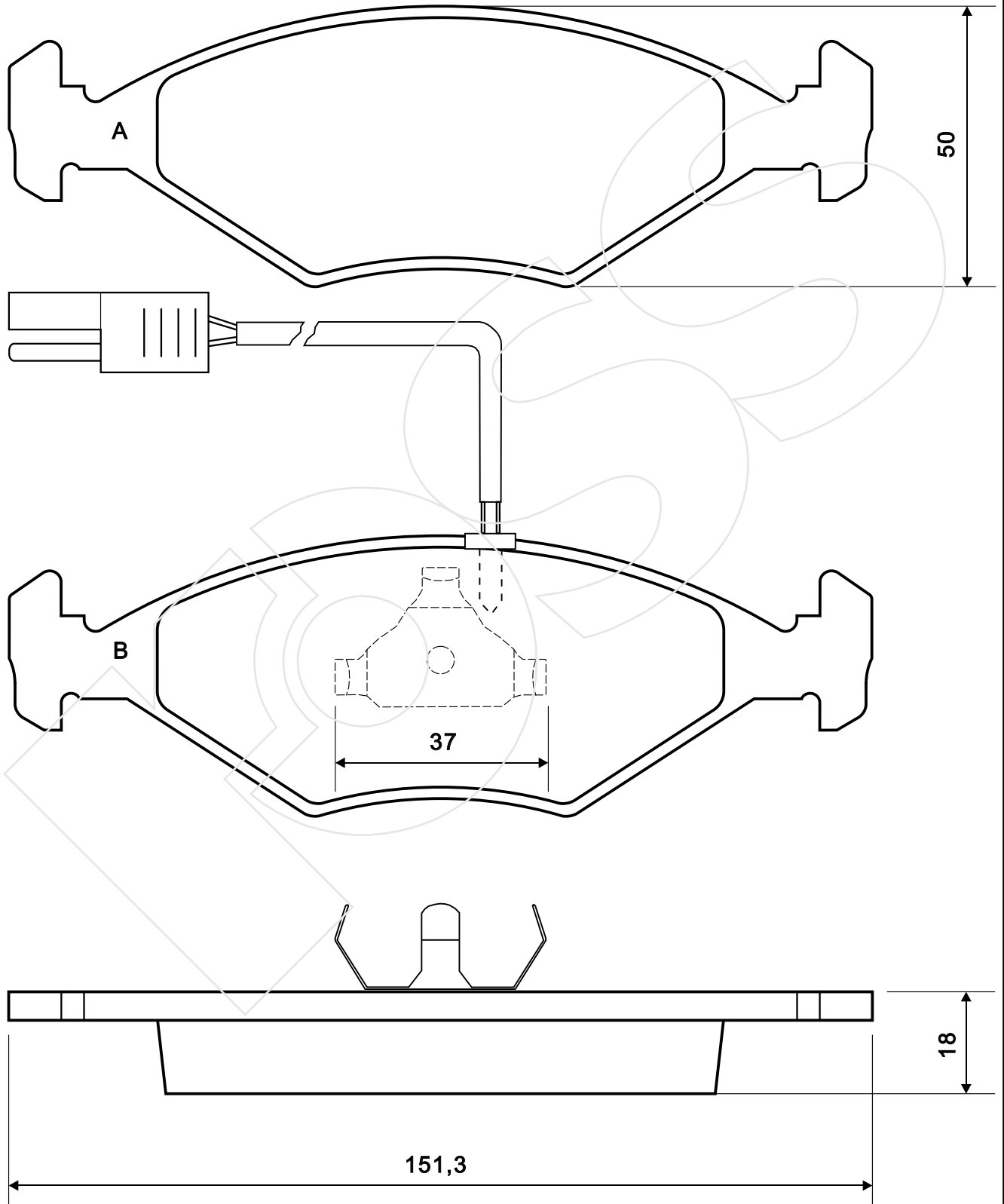
Reference in this Catalogue to other manufactures and to part numbers and other descriptions are for identification purposes only, because the above DISC BRAKE PADS are NOT ORIGINAL but with these interchangeable.

CODICE	IMPIANTO		ASSE	SCALA	APPLICAZIONI
<b>R-822</b>	ATE		ANTERIORE	1:1	FIAT
CODICE COMPONENTI	N°	L(mm)	SERIE		
*	*		2 PEZZI TIPO A		
M0024+PI002	2+2	200	2 PEZZI TIPO B		
*	*				
CODICE ACCESSORI	N°	L(mm)	NOTE		
*	*				
*	*				
*	*				
*	*				



Reference in this Catalogue to other manufactures and to part numbers and other descriptions are for identification purposes only, because the above DISC BRAKE PADS are NOT ORIGINAL but with these interchangeable.

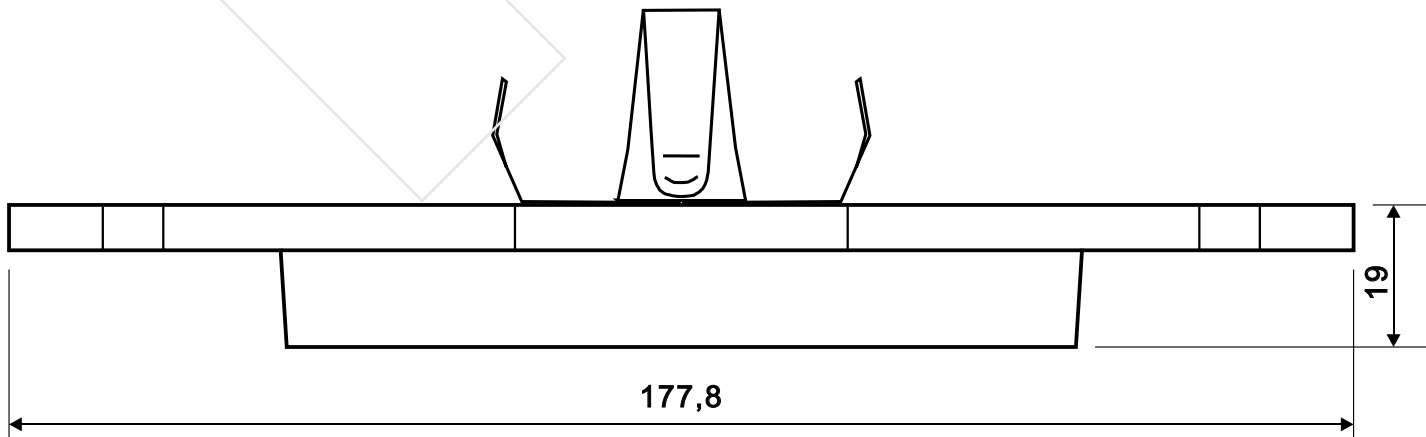
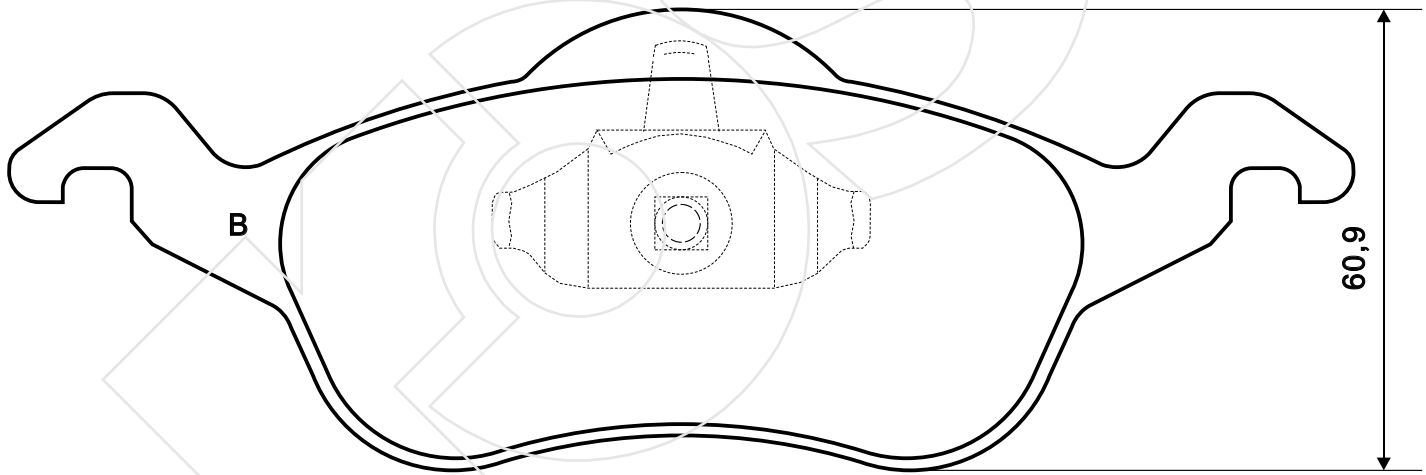
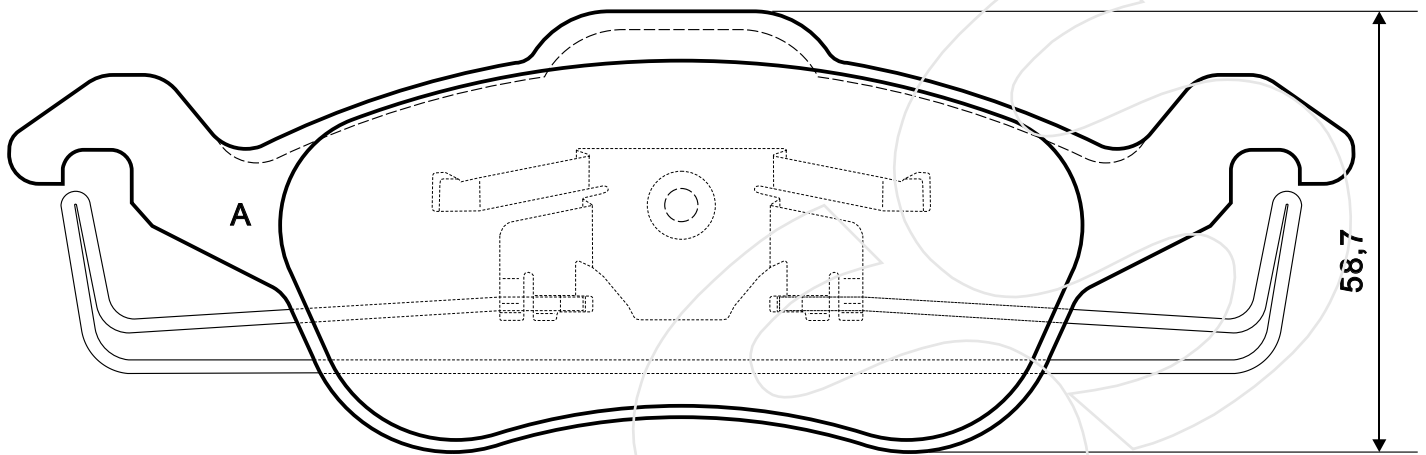
CODICE	IMPIANTO		ASSE	SCALA	APPLICAZIONI
<b>R-823</b>	ATE		ANTERIORE	1:1	FIAT
CODICE COMPONENTI	N°	L(mm)	SERIE		
*	*		2 PEZZI TIPO A		
M0024 + F3031	2+2	200	2 PEZZI TIPO B		
*	*				
CODICE ACCESSORI	N°	L(mm)	NOTE		
*	*				
*	*				
*	*				
*	*				



Reference in this Catalogue to other manufactures and to part numbers and other descriptions are for identification purposes only, because the above DISC BRAKE PADS are NOT ORIGINAL but with these interchangeable.

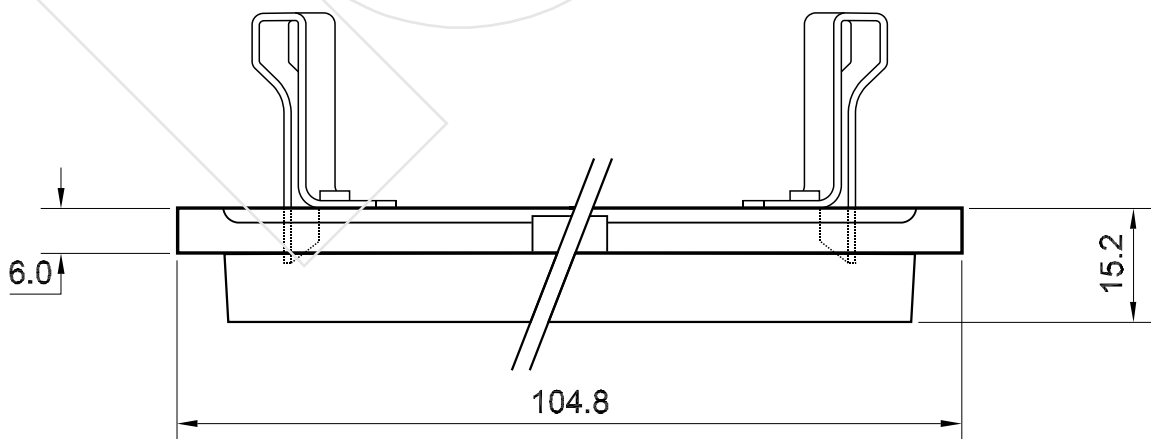
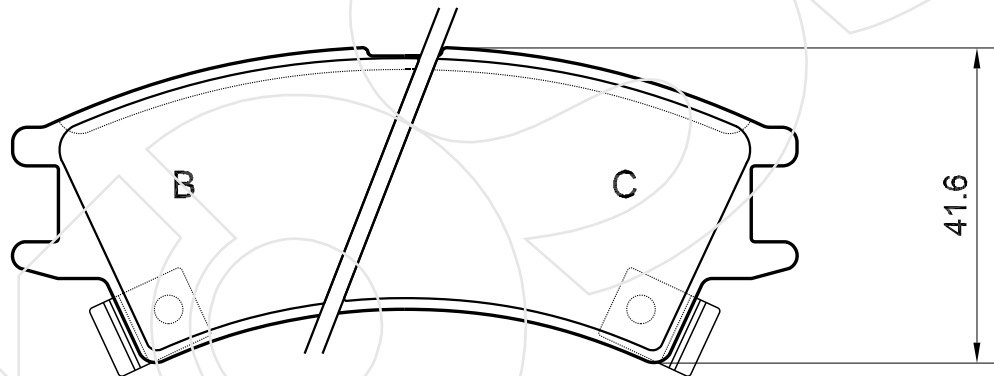
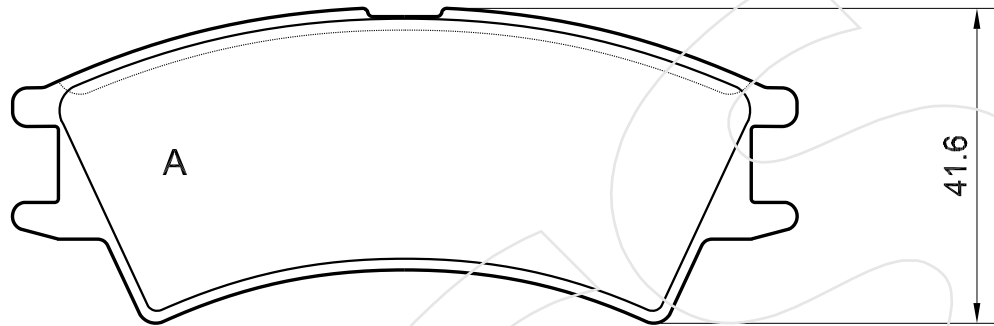


CODICE	IMPIANTO		ASSE	SCALA	APPLICAZIONI
<b>R-824</b>	ATE		ANTERIORE	1:1	FORD
CODICE COMPONENTI	N°	L(mm)	SERIE		
M0167	2	*	2 PEZZI TIPO A		
M0168	2	*	2 PEZZI TIPO B		
*	*	*			
CODICE ACCESSORI	N°	L(mm)	NOTE		
*	*	*			
*	*	*			
*	*	*			
*	*	*			



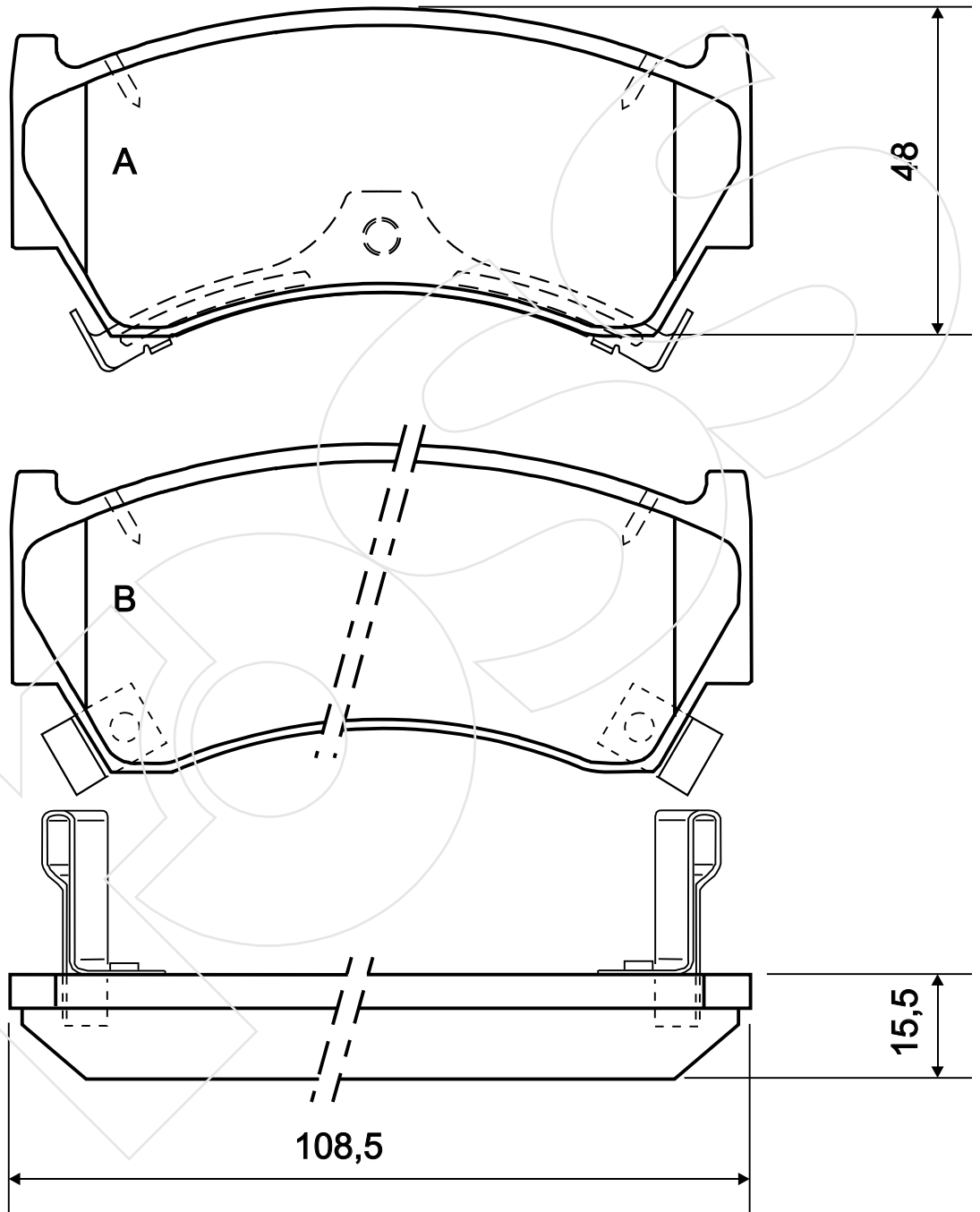
Reference in this Catalogue to other manufactures and to part numbers and other descriptions are for identification purposes only, because the above DISC BRAKE PADS are NOT ORIGINAL but with these interchangeable.

CODICE	IMPIANTO		ASSE	SCALA	APPLICAZIONI
<b>R-825</b>	MANDO		ANTERIORE	100%	HYUNDAI
CODICE COMPONENTI	N°	L(mm)	SERIE		
*	*	*	2 PEZZI TIPO A		
M0032	1	*	1 PEZZO TIPO B		
M0032	1	*	1 PEZZO TIPO C		
*	*	*	*		
CODICE ACCESSORI	N°	L(mm)	NOTE		
*	*	*			
*	*	*			
*	*	*			
*	*	*			



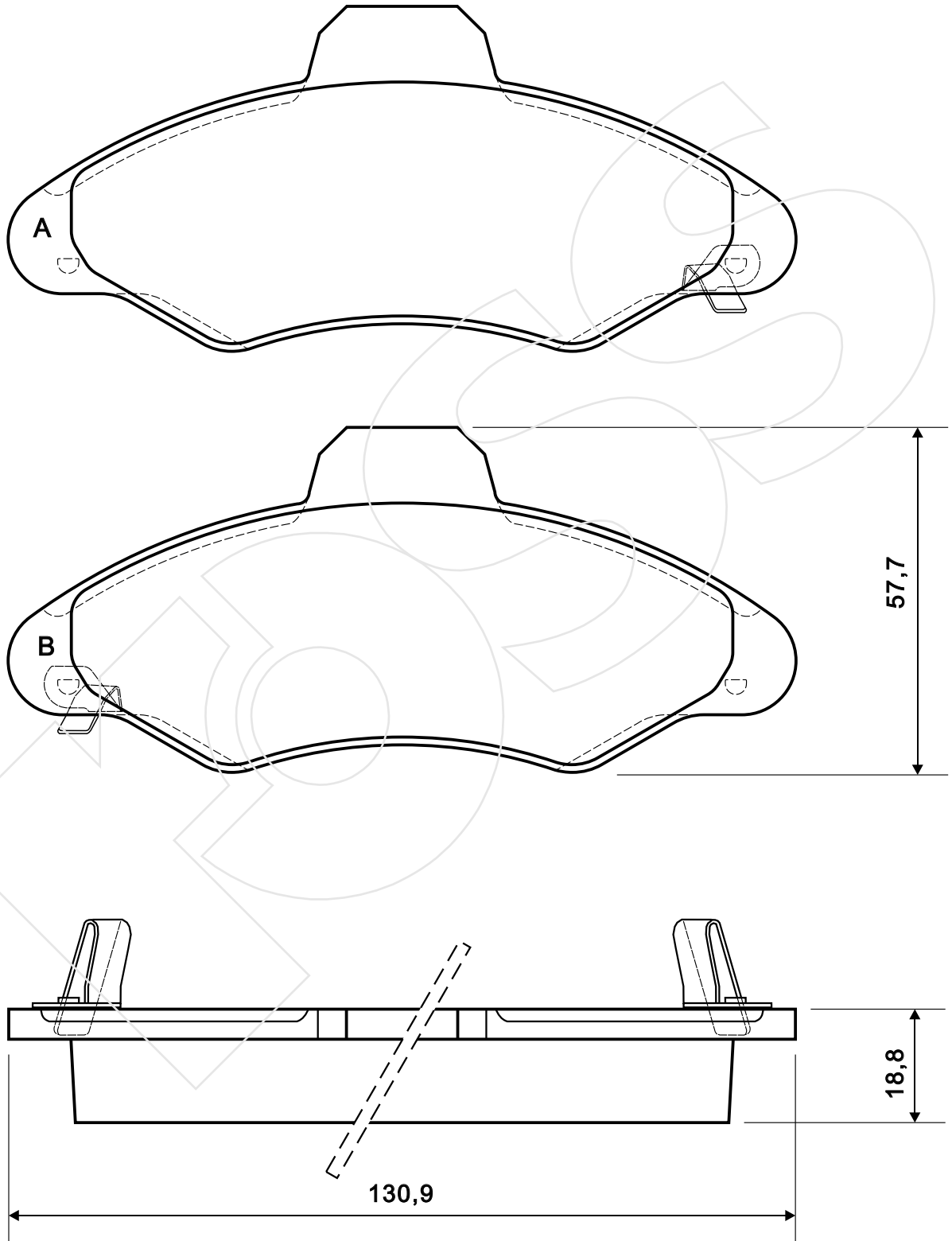
Reference in this Catalogue to other manufactures and to part numbers and other descriptions are for identification purposes only, because the above DISC BRAKE PADS are NOT ORIGINAL but with these interchangeable.

CODICE	IMPIANTO		ASSE	SCALA	APPLICAZIONI
<b>R-826</b>	SUMIMOTO		ANTERIORE	1:1	NISSAN
CODICE COMPONENTI	N°	L(mm)	SERIE		
M0166	2	*	2 PEZZI TIPO A		
M0036	1		1 PEZZO TIPO B DX		
M0036	1		1 PEZZO TIPO B SX		
CODICE ACCESSORI	N°	L(mm)	NOTE		
*	*				
*	*				
*	*				
*	*				



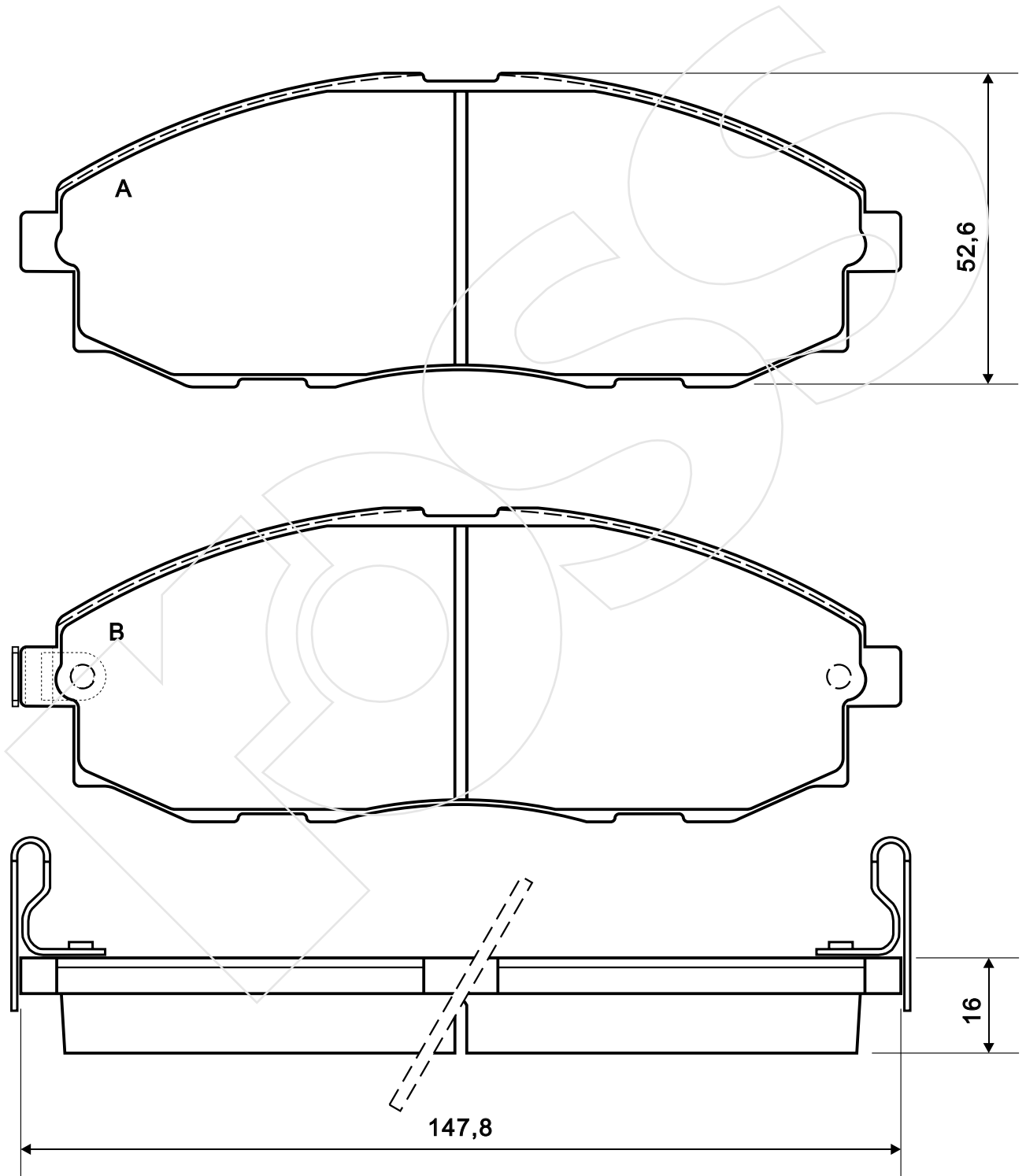
Reference in this Catalogue to other manufactures and to part numbers and other descriptions are for identification purposes only, because the above DISC BRAKE PADS are NOT ORIGINAL but with these interchangeable.

CODICE	IMPIANTO		ASSE	SCALA	APPLICAZIONI
<b>R-827</b>	BENDIX		ANTERIORE	1:1	FORD
CODICE COMPONENTI	N°	L(mm)	SERIE		
M0169	2	*	2 PEZZI TIPO A		
M0170	2	*	2 PEZZI TIPO B		
*	*	*			
CODICE ACCESSORI	N°	L(mm)	NOTE		
*	*	*			
*	*	*			
*	*	*			
*	*	*			



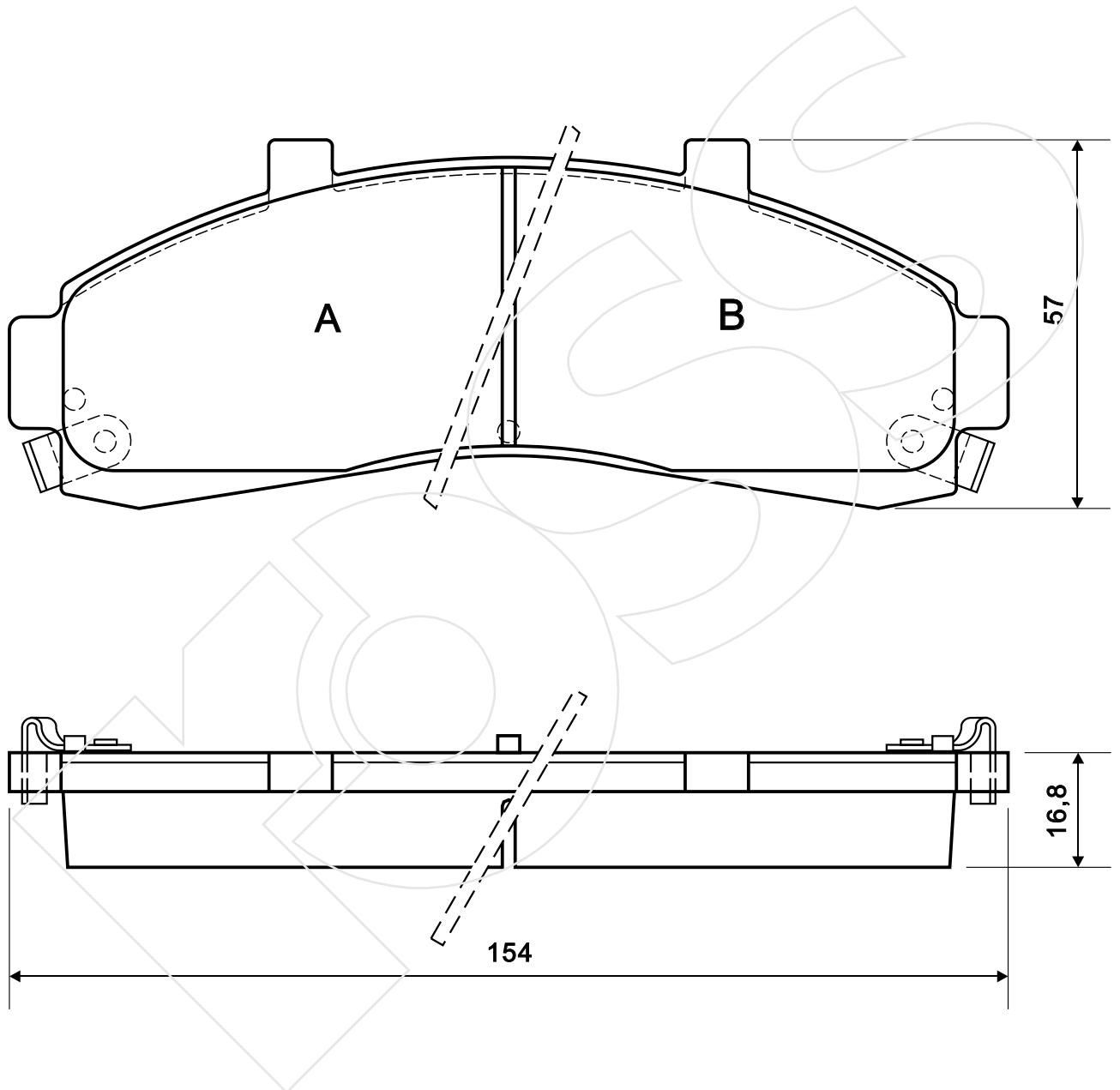
Reference in this Catalogue to other manufactures and to part numbers and other descriptions are for identification purposes only, because the above DISC BRAKE PADS are NOT ORIGINAL but with these interchangeable.

CODICE	IMPIANTO	ASSE	SCALA	APPLICAZIONI
<b>R-828</b>	*	ANTERIORE	1:1	HYUNDAI7
CODICE COMPONENTI	N°	L(mm)	SERIE	
*	*	*	2 PEZZI TIPO A	
M0074	1		1 PEZZO TIPO B DX	
M0074	1		1PEZZO TIPO B SX	
CODICE ACCESSORI	N°	L(mm)	NOTE	
*	*			
*	*			
*	*			
*	*			



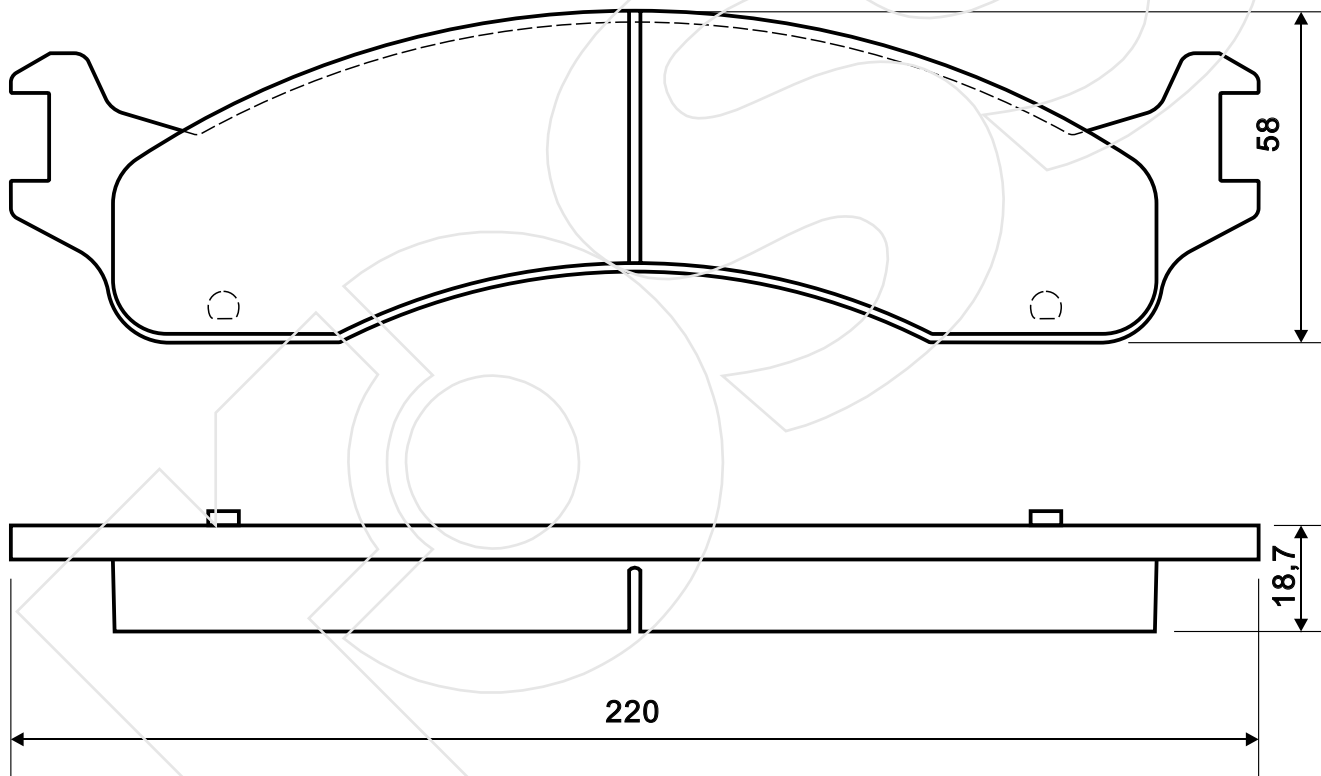
Reference in this Catalogue to other manufactures and to part numbers and other descriptions are for identification purposes only, because the above DISC BRAKE PADS are NOT ORIGINAL but with these interchangeable.

CODICE	IMPIANTO		ASSE	SCALA	APPLICAZIONI
<b>R-829</b>	*		ANTERIORE	1:1	FORD USA
CODICE COMPONENTI	N°	L(mm)	SERIE		
M0206	2	*	2 PEZZI TIPO A		
M0206	2	*	2 PEZZI TIPO B		
*	*	*			
CODICE ACCESSORI	N°	L(mm)	NOTE		
*	*	*			
*	*	*			
*	*	*			
*	*	*			



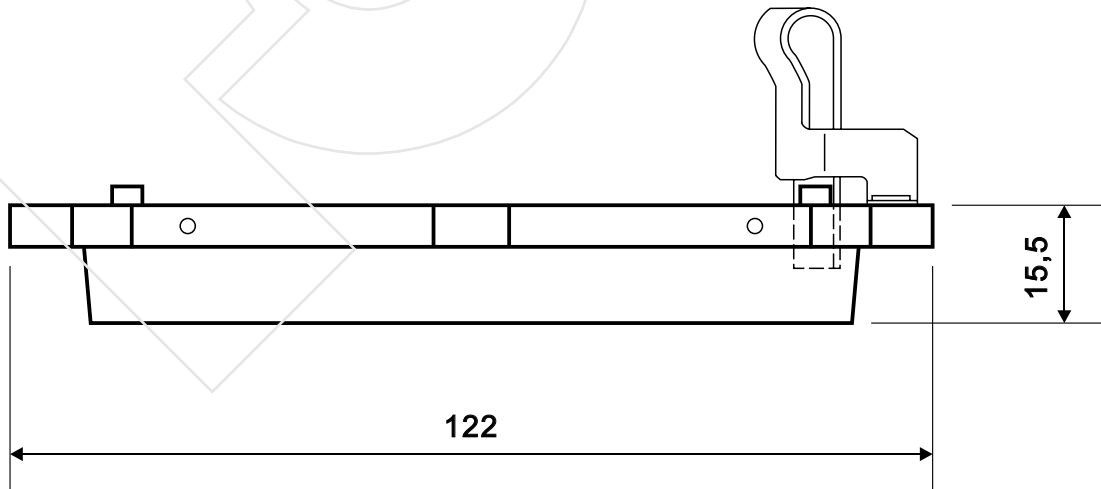
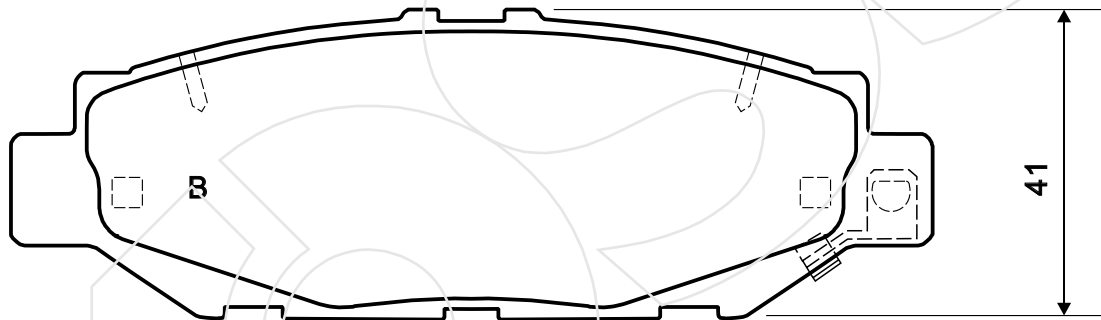
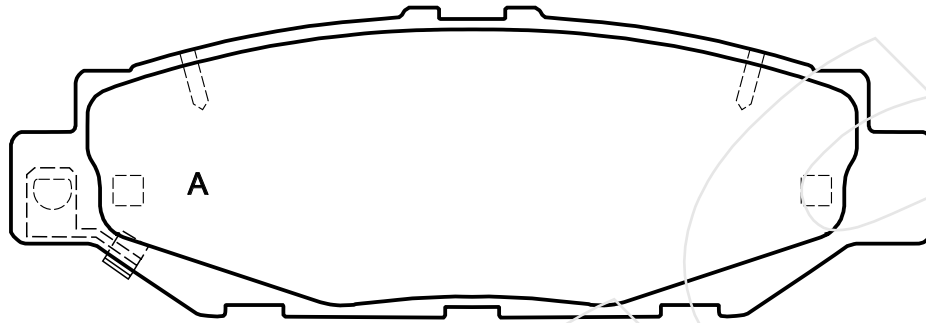
Reference in this Catalogue to other manufactures and to part numbers and other descriptions are for identification purposes only, because the above DISC BRAKE PADS are NOT ORIGINAL but with these interchangeable.

CODICE	IMPIANTO	ASSE	SCALA	APPLICAZIONI
<b>R-830</b>	*	ANTERIORE	3/4	FORD USA
CODICE COMPONENTI	N°	L(mm)	SERIE	
*	*	*	4 PEZZI	
*	*			
*	*			
CODICE ACCESSORI	N°	L(mm)	NOTE	
*	*			
*	*			
*	*			
*	*			



Reference in this Catalogue to other manufactures and to part numbers and other descriptions are for identification purposes only, because the above DISC BRAKE PADS are NOT ORIGINAL but with these interchangeable.

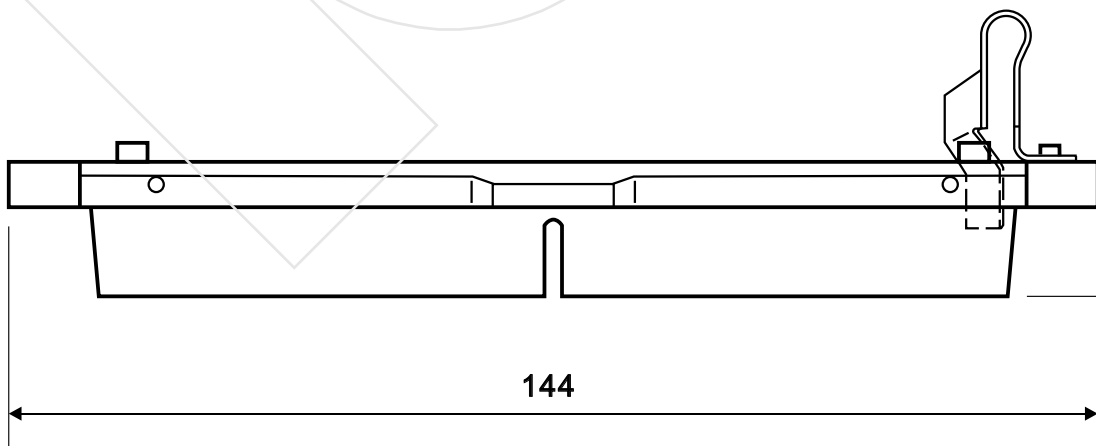
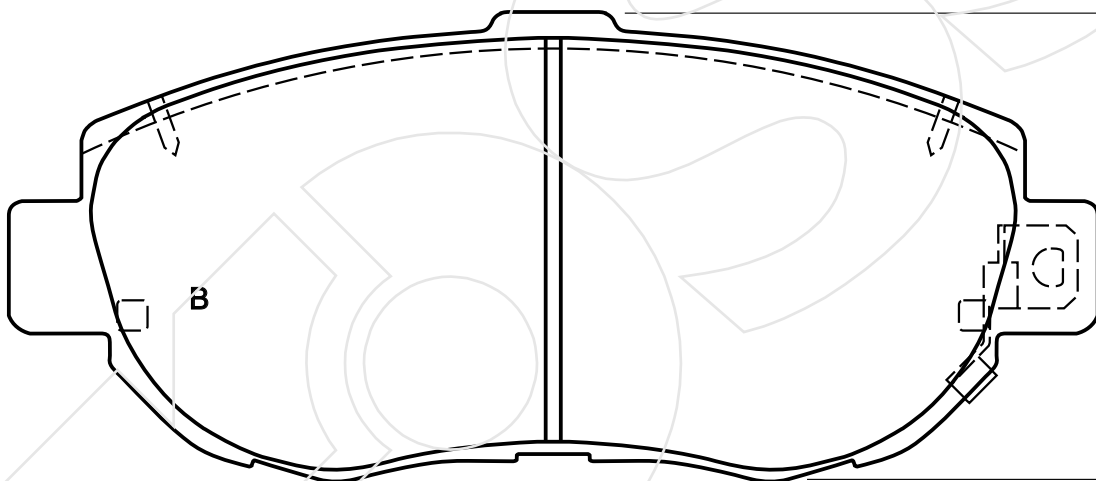
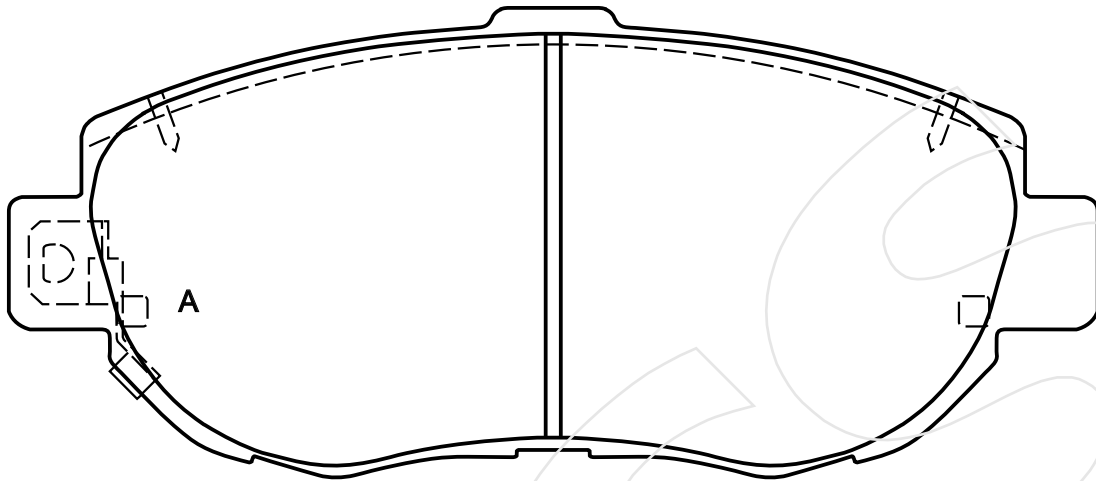
CODICE	IMPIANTO		ASSE	SCALA	APPLICAZIONI
<b>R-831</b>	SUMITOMO		POSTERIORE	1:1	LEXUS TOYOTA
CODICE COMPONENTI	N°	L(mm)	SERIE		
M0149	*	*	2 PEZZI	TIPO A	
M0150	*		2 PEZZI	TIPO B	
*	*				
CODICE ACCESSORI	N°	L(mm)	NOTE		
*	*				
*	*				
*	*				
*	*				



Reference in this Catalogue to other manufactures and to part numbers and other descriptions are for identification purposes only, because the above DISC BRAKE PADS are NOT ORIGINAL but with these interchangeable.

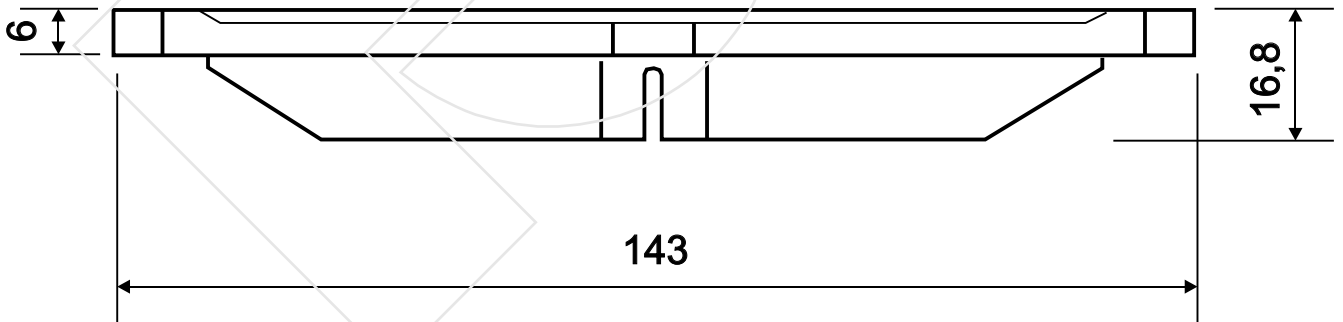
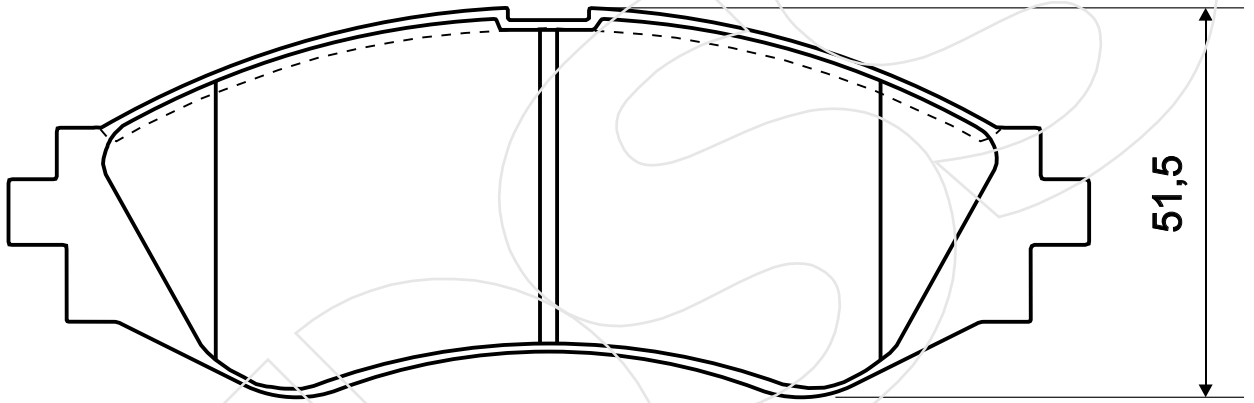


CODICE	IMPIANTO	ASSE	SCALA	APPLICAZIONI
<b>R-832</b>	SUMITOMO	ANTERIORE	1:1	LEXUS TOYOTA
CODICE COMPONENTI	N°	L(mm)	SERIE	
M0151	2	*	2 PEZZI TIPO A	
M0152	2	*	2 PEZZI TIPO B	
*	*			
CODICE ACCESSORI	N°	L(mm)	NOTE	
*	*			
*	*			
*	*			
*	*			



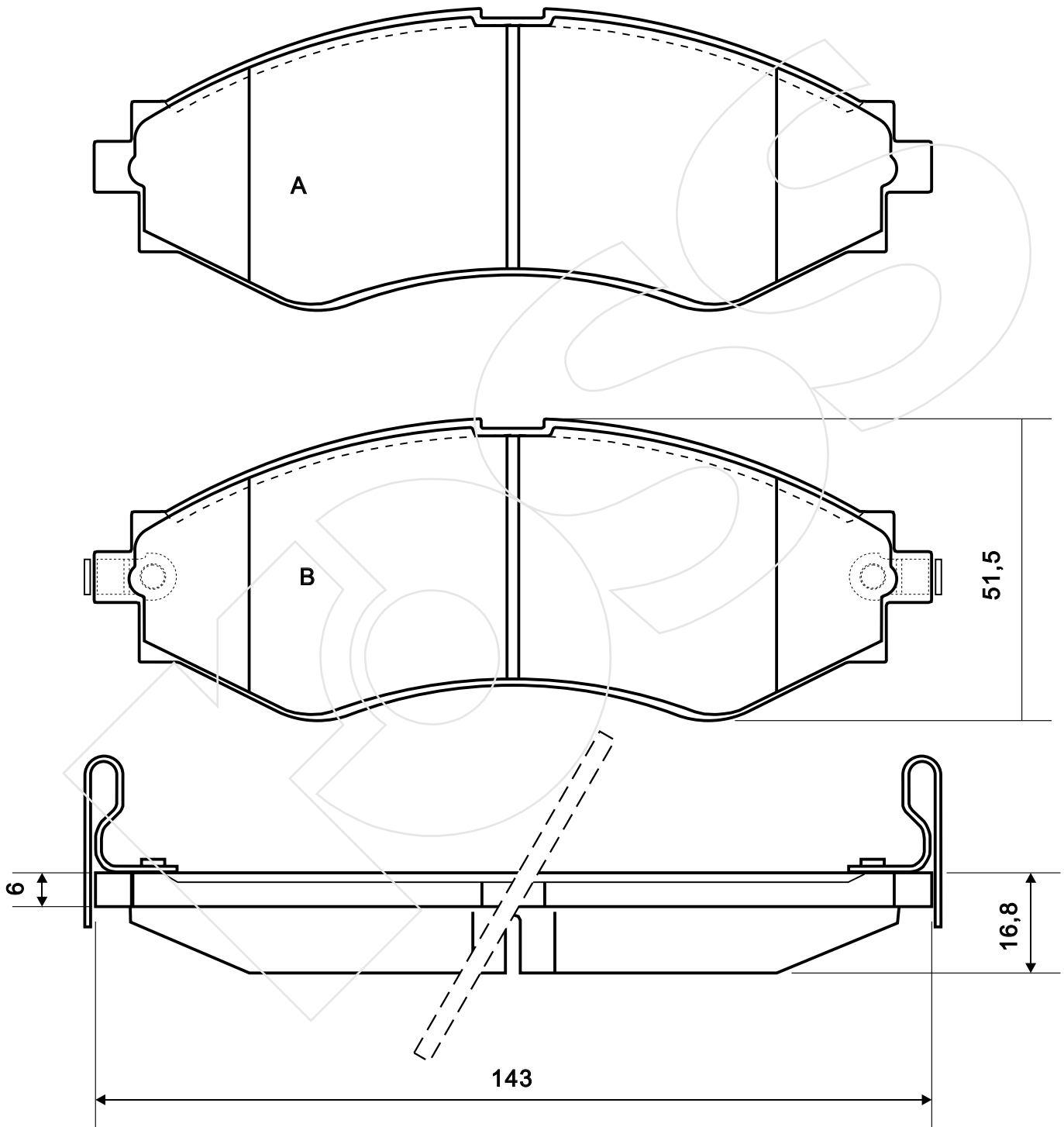
Reference in this Catalogue to other manufactures and to part numbers and other descriptions are for identification purposes only, because the above DISC BRAKE PADS are NOT ORIGINAL but with these interchangeable.

CODICE	IMPIANTO		ASSE	SCALA	APPLICAZIONI
<b>R-833</b>	AKEBONO		ANTERIORE	1:1	DAEWOO
CODICE COMPONENTI	N°	L(mm)	SERIE		
*	*	*	4 PEZZI		
*	*				
*	*				
CODICE ACCESSORI	N°	L(mm)	NOTE		
*	*				
*	*				
*	*				
*	*				



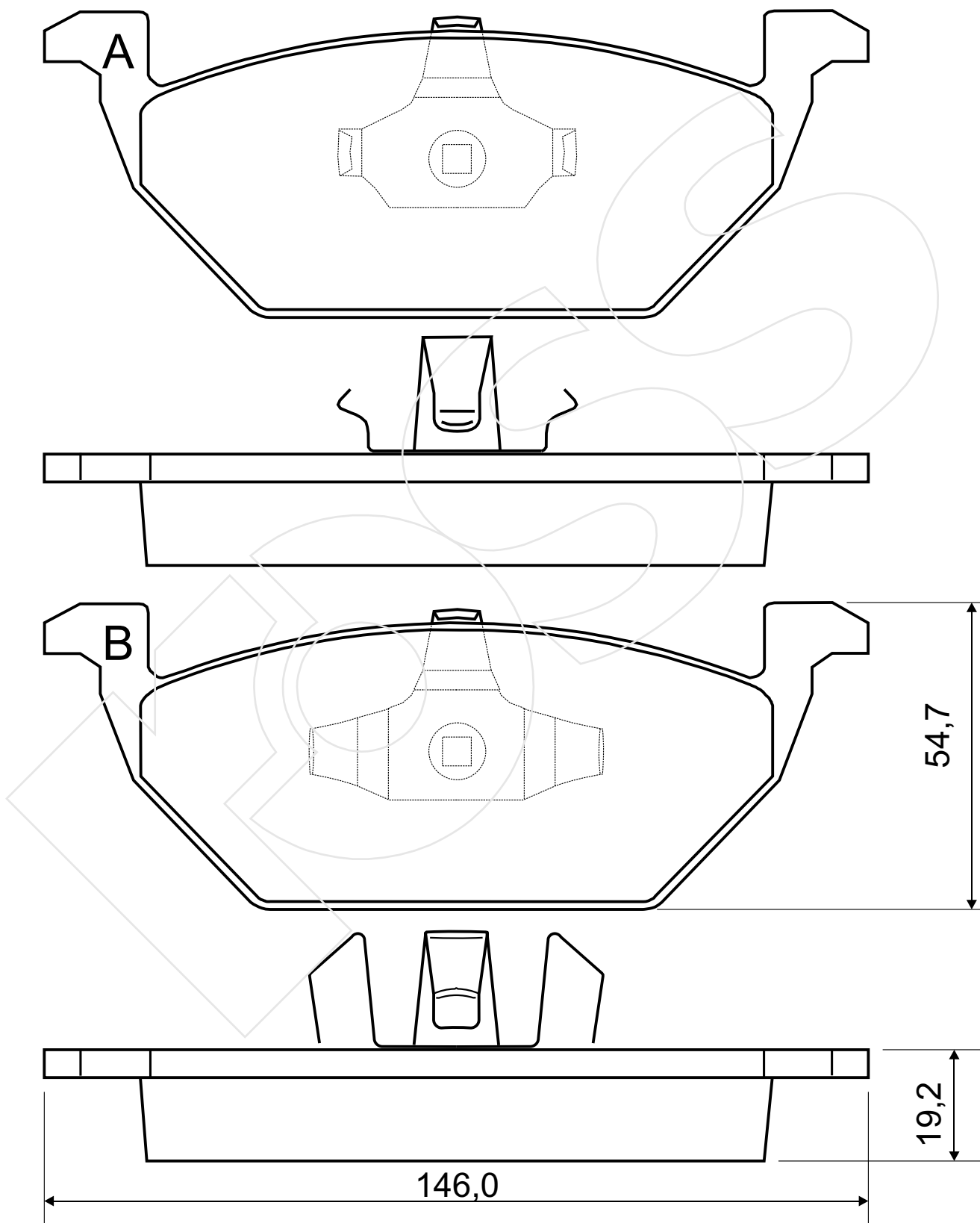
Reference in this Catalogue to other manufactures and to part numbers and other descriptions are for identification purposes only, because the above DISC BRAKE PADS are NOT ORIGINAL but with these interchangeable.

CODICE	IMPIANTO	ASSE	SCALA	APPLICAZIONI
<b>R-834</b>	AKEBONO	ANTERIORE	1:1	DAEWOO
CODICE COMPONENTI	N°	L(mm)	SERIE	
*	*	*	2 PEZZI TIPO A	
M0044	1		1 PEZZO TIPO B DX	
M0044	1		1 PEZZO TIPO B SX	
CODICE ACCESSORI	N°	L(mm)	NOTE	
*	*			
*	*			
*	*			
*	*			



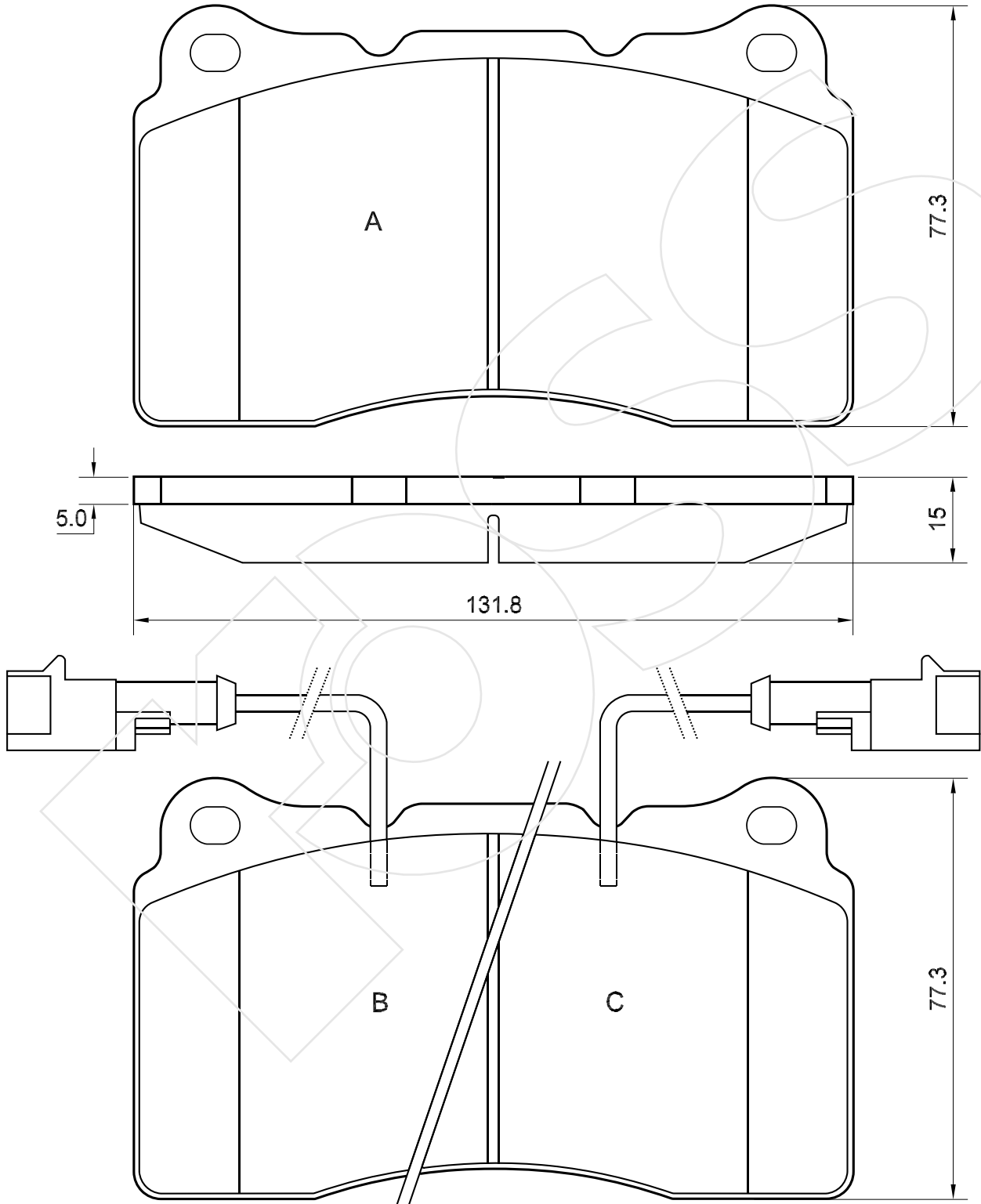
Reference in this Catalogue to other manufactures and to part numbers and other descriptions are for identification purposes only, because the above DISC BRAKE PADS are NOT ORIGINAL but with these interchangeable.

CODICE	IMPIANTO		ASSE	SCALA	APPLICAZIONI
<b>R-835</b>	ATE		ANTERIORE	1:1	AUDI VW
CODICE COMPONENTI	N°	L(mm)	SERIE		
M0128	2	*	2 PEZZI TIPO A		
M0172	2	*	2 PEZZI TIPO B		
*	*	*	*		
CODICE ACCESSORI	N°	L(mm)	NOTE		
*	*	*	*		
*	*	*	*		
*	*	*	*		
*	*	*	*		



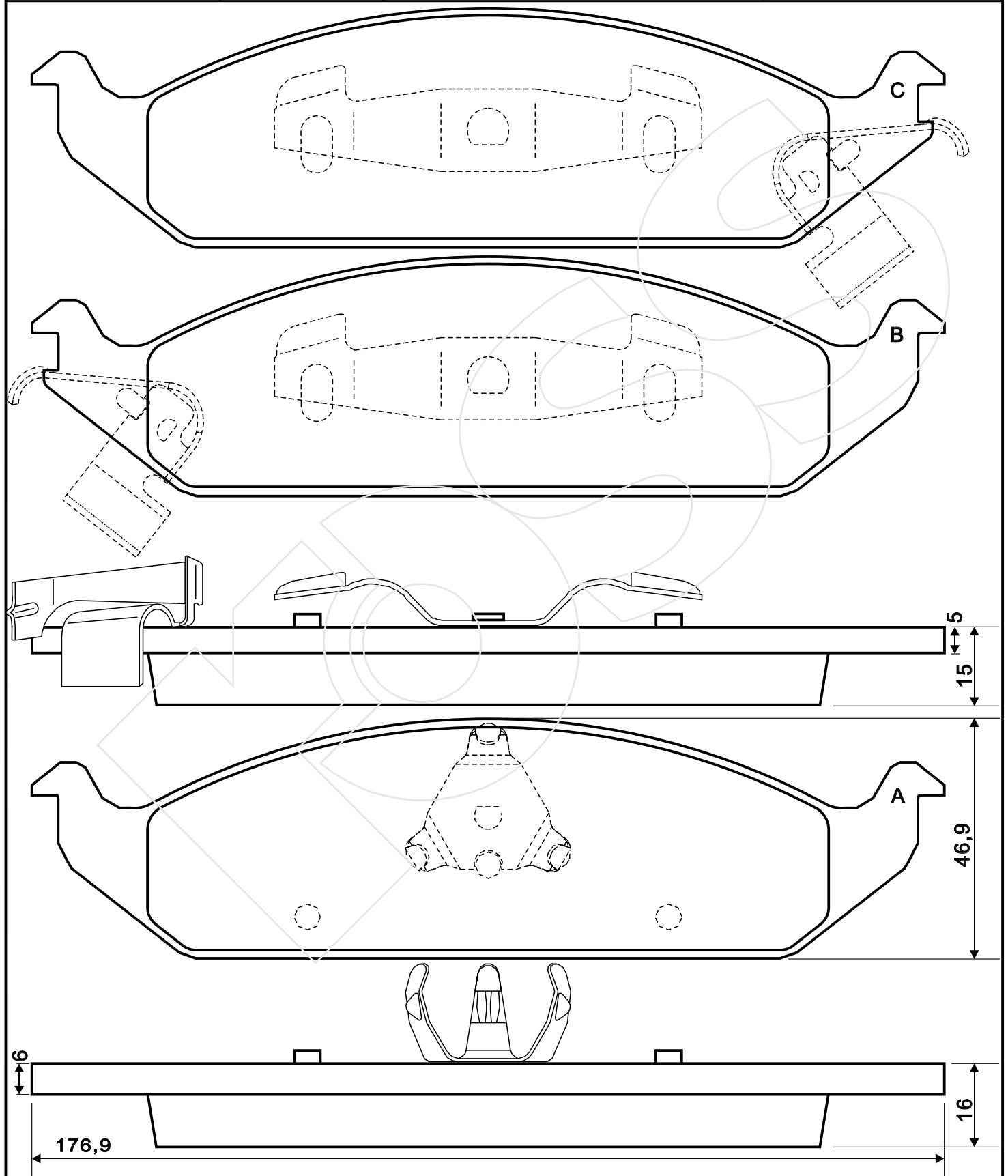
Reference in this Catalogue to other manufactures and to part numbers and other descriptions are for identification purposes only, because the above DISC BRAKE PADS are NOT ORIGINAL but with these interchangeable.

CODICE	IMPIANTO		ASSE	SCALA	APPLICAZIONI
<b>R-836</b>	BREMBO		ANTERIORE	100%	ALFA ROMEO
CODICE COMPONENTI	N°	L(mm)	SERIE		FIAT LANCIA
*	*	*	2 PEZZI TIPO A		
F3020	1	230	1 PEZZO TIPO B		
F3020	1	230	1 PEZZO TIPO C		
*	*	*	*		
CODICE ACCESSORI	N°	L(mm)	NOTE		
*	*	*			
*	*	*			
*	*	*			
*	*	*			

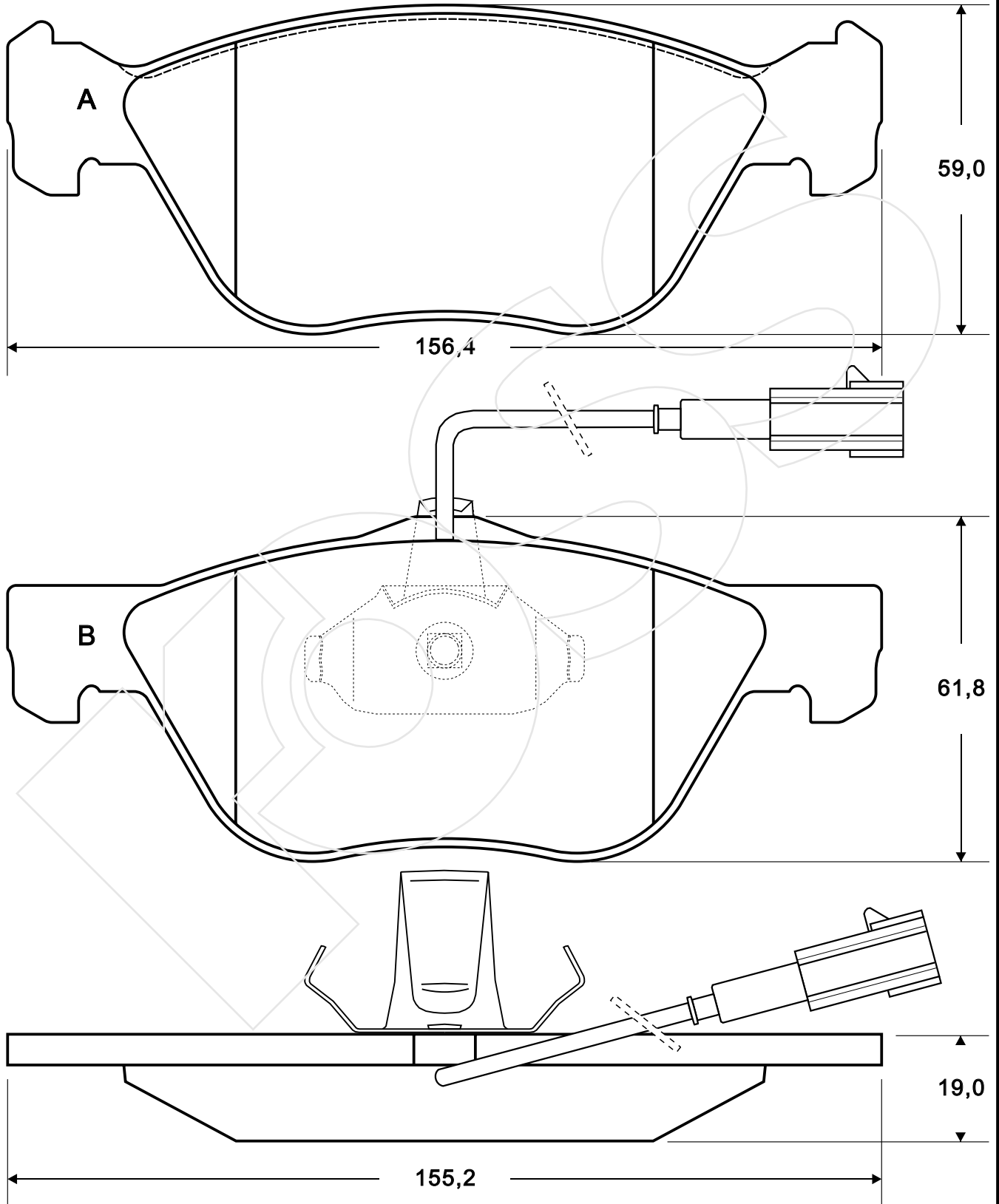


Reference in this Catalogue to other manufactures and to part numbers and other descriptions are for identification purposes only, because the above DISC BRAKE PADS are NOT ORIGINAL but with these interchangeable.

CODICE	IMPIANTO		ASSE	SCALA	APPLICAZIONI
<b>R-837</b>	BENDIX		ANTERIORE	1:1	CHRYSLER DODGE PLYMOUTH
CODICE COMPONENTI	N°	L(mm)	SERIE		
M0235	2	*	2 PEZZI TIPO A		
M0236+M0237	1+1		1 PEZZO TIPO B		
M0236+M0238	1+1		1 PEZZO TIPO C		
CODICE ACCESSORI	N°	L(mm)	NOTE		
*	*				
*	*				
*	*				
*	*				

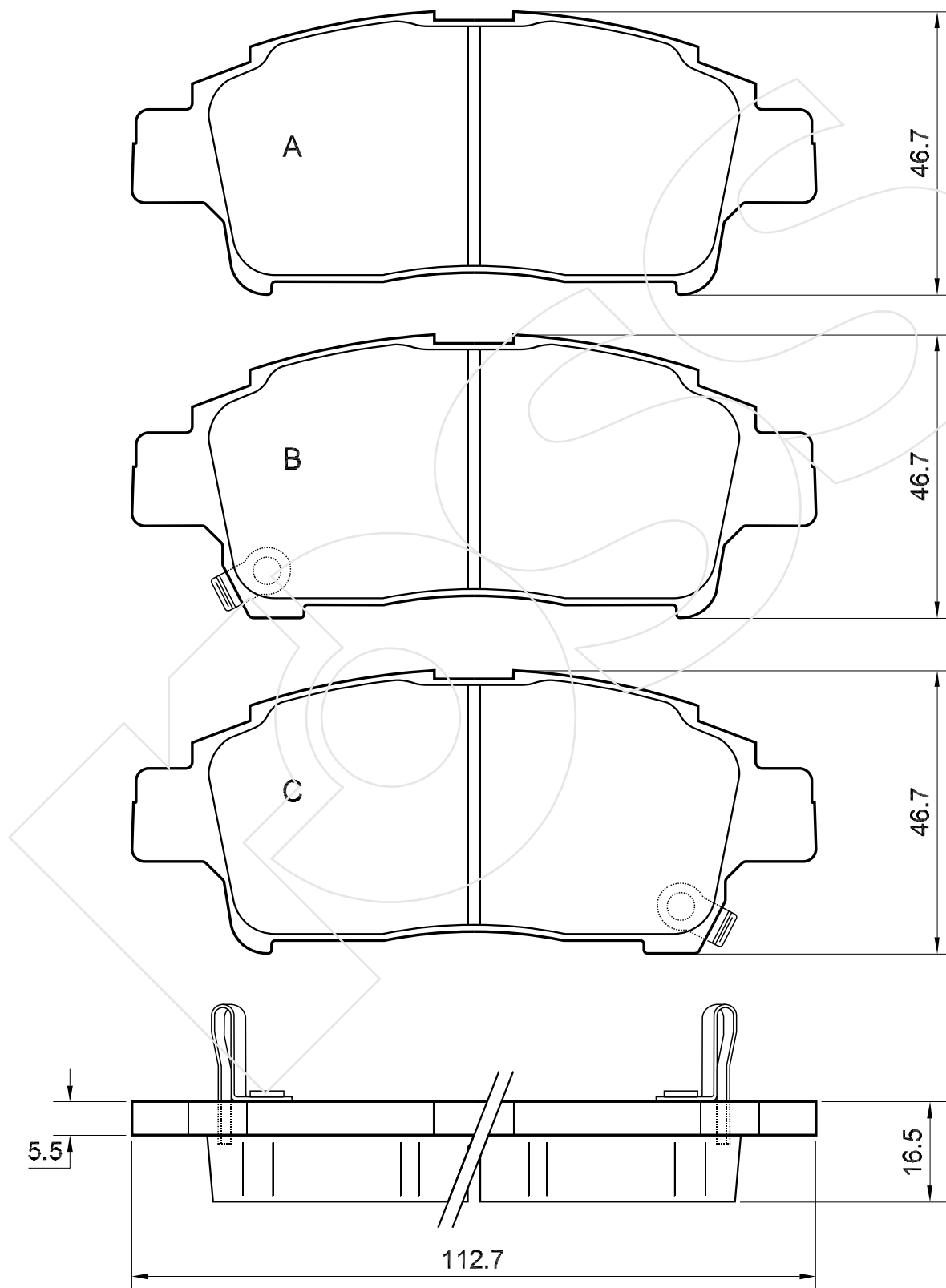


CODICE	IMPIANTO		ASSE	SCALA	APPLICAZIONI
<b>R-838</b>	ATE		ANTERIORE	1:1	ALFA LANCIA
CODICE COMPONENTI	N°	L(mm)	SERIE		
*	*		2 PEZZI TIPO A		
F3019 +M0173	2+2	220	2 PEZZI TIPO B		
*	*				
CODICE ACCESSORI	N°	L(mm)	NOTE		
*	*				
*	*				
*	*				
*	*				



Reference in this Catalogue to other manufactures and to part numbers and other descriptions are for identification purposes only, because the above DISC BRAKE PADS are NOT ORIGINAL but with these interchangeable.

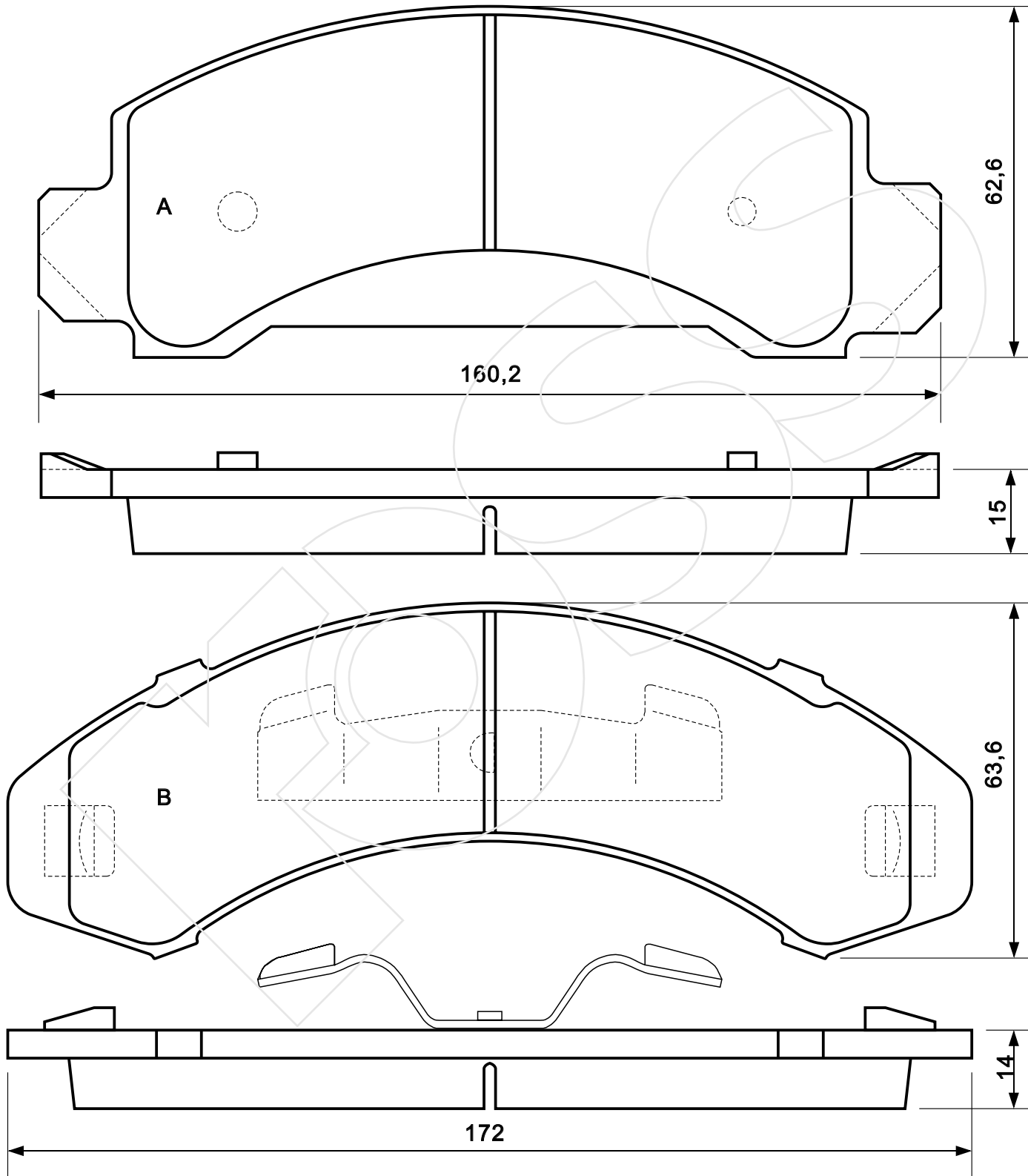
CODICE	IMPIANTO	ASSE	SCALA	APPLICAZIONI
<b>R-839</b>	AKEBONO	ANTERIORE	100%	TOYOTA
CODICE COMPONENTI	N°	L(mm)	SERIE	
*	*	*	2 PEZZI TIPO A	
M0174	1	*	1 PEZZO TIPO B	
M0174	1	*	1 PEZZO TIPO C	
*	*	*	*	
CODICE ACCESSORI	N°	L(mm)	NOTE	
*	*	*		
*	*	*		
*	*	*		
*	*	*		



Reference in this Catalogue to other manufactures and to part numbers and other descriptions are for identification purposes only, because the above DISC BRAKE PADS are NOT ORIGINAL but with these interchangeable.

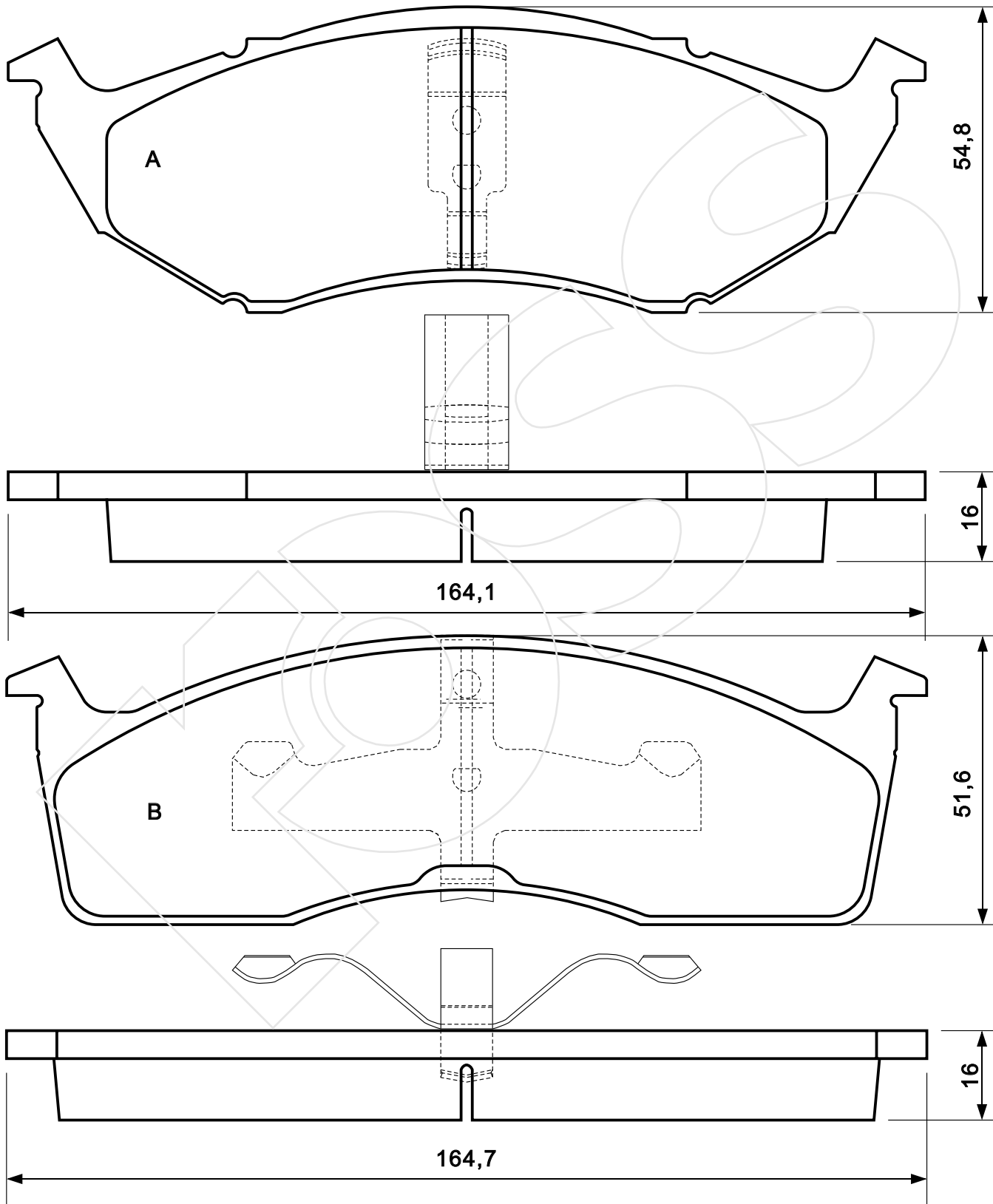


CODICE	IMPIANTO		ASSE	SCALA	APPLICAZIONI
<b>R-840</b>	BENDIX		ANTERIORE	1:1	FORD USA
CODICE COMPONENTI	N°	L(mm)	SERIE		
*	*	*	2 PEZZI TIPO A		
M0215	2		2 PEZZI TIPO B		
*	*				
CODICE ACCESSORI	N°	L(mm)	NOTE		
*	*				
*	*				
*	*				
*	*				



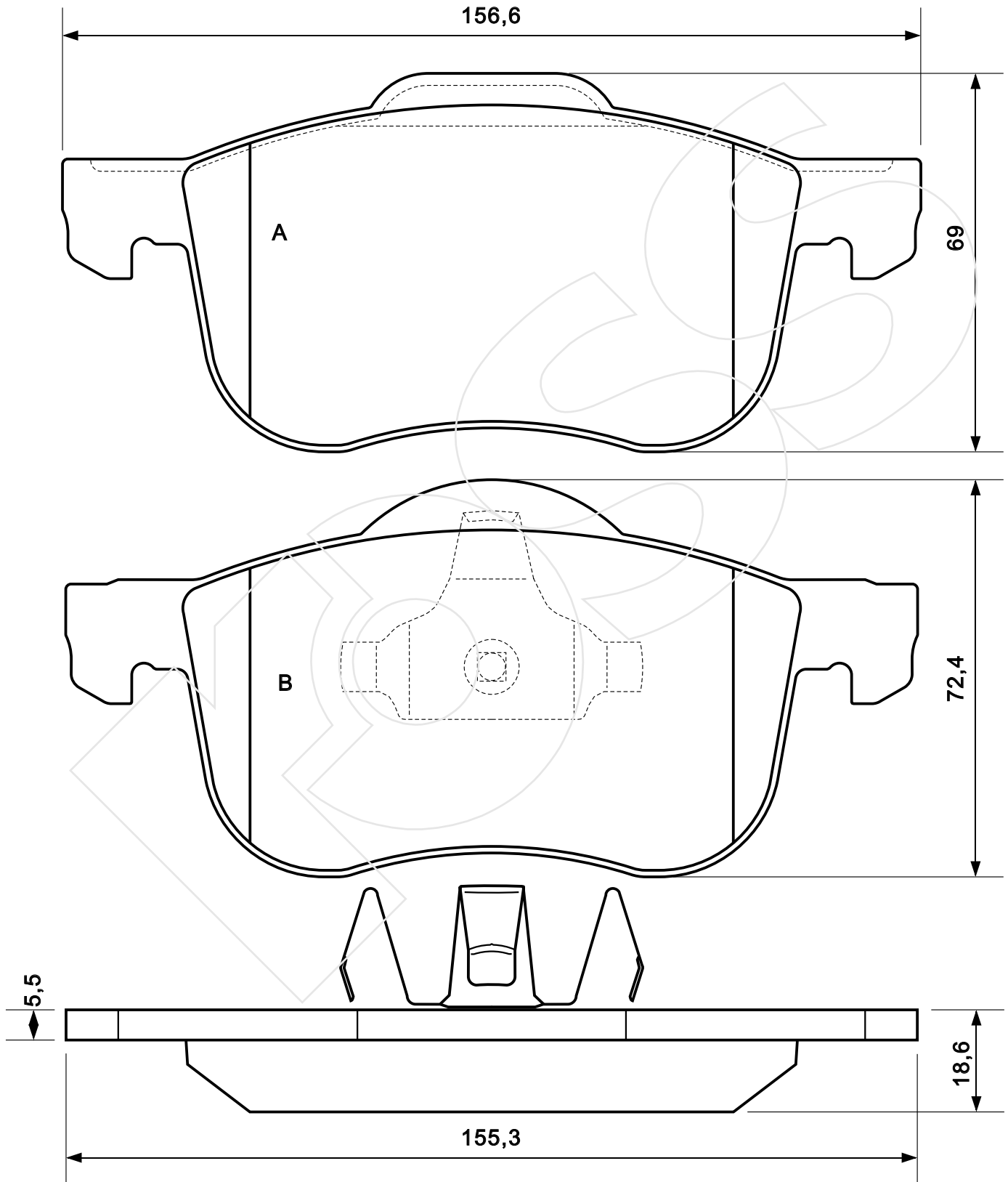
Reference in this Catalogue to other manufactures and to part numbers and other descriptions are for identification purposes only, because the above DISC BRAKE PADS are NOT ORIGINAL but with these interchangeable.

CODICE	IMPIANTO		ASSE	SCALA	APPLICAZIONI
<b>R-841</b>	KELSEY-HAYES		ANTERIORE	1:1	CHRYSLER DODGE EAGLE PLYMOUTH
CODICE COMPONENTI	N°	L(mm)	SERIE		
M0308	2	*	2 PEZZI	TIPO A	
M0309	2	*	2 PEZZI	TIPO B	
*	*	*			
CODICE ACCESSORI	N°	L(mm)	NOTE		
*	*	*			
*	*	*			
*	*	*			
*	*	*			



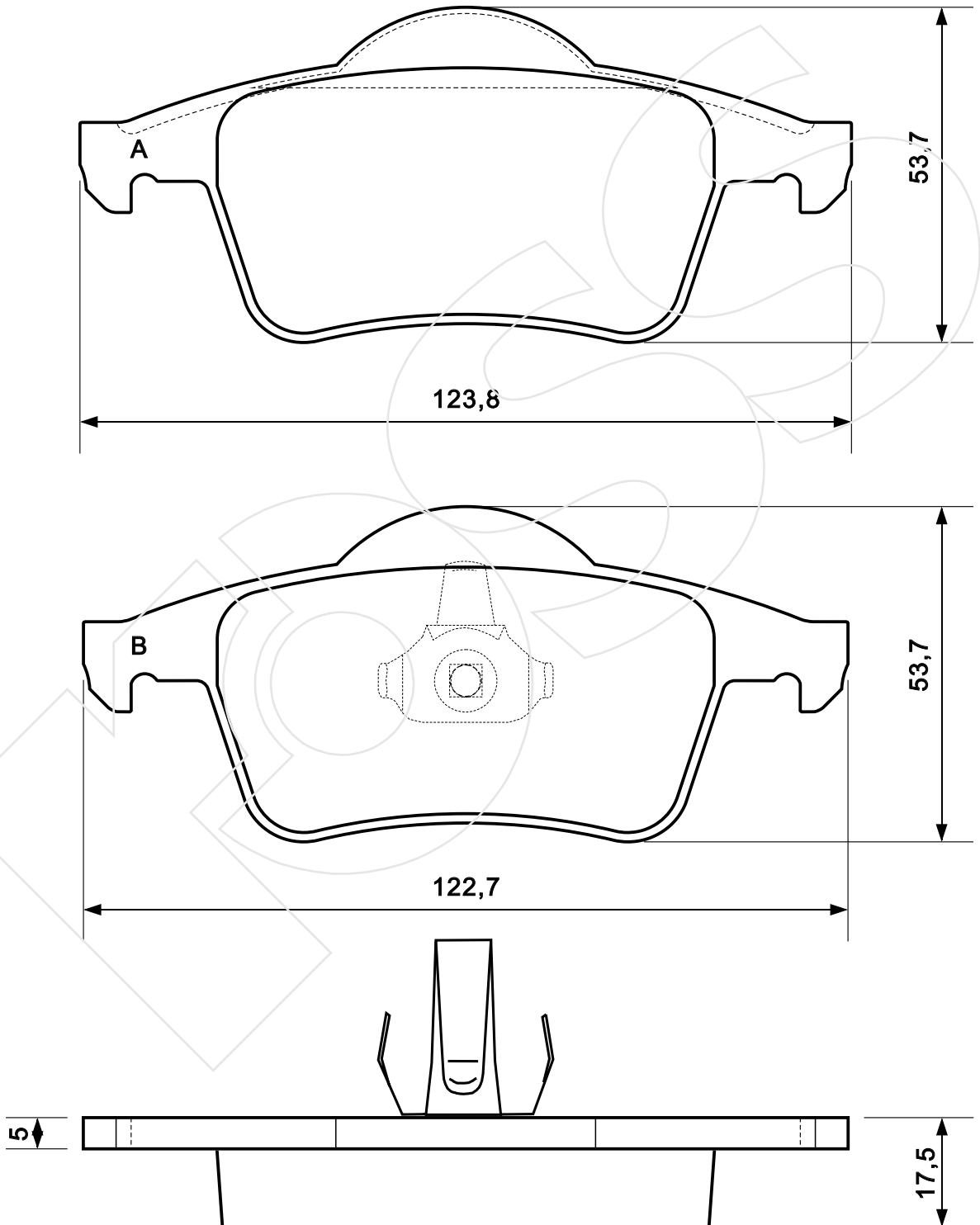
Reference in this Catalogue to other manufactures and to part numbers and other descriptions are for identification purposes only, because the above DISC BRAKE PADS are NOT ORIGINAL but with these interchangeable.

CODICE	IMPIANTO	ASSE	SCALA	APPLICAZIONI
<b>R-842</b>	ATE	ANTERIORE	1:1	VOLVO
CODICE COMPONENTI	N°	L(mm)	SERIE	
*	*	*	2 PEZZI TIPO A	
M0176	2		2 PEZZI TIPO B	
*	*			
CODICE ACCESSORI	N°	L(mm)	NOTE	
A006+A007	2+2			
*	*			
*	*			
*	*			



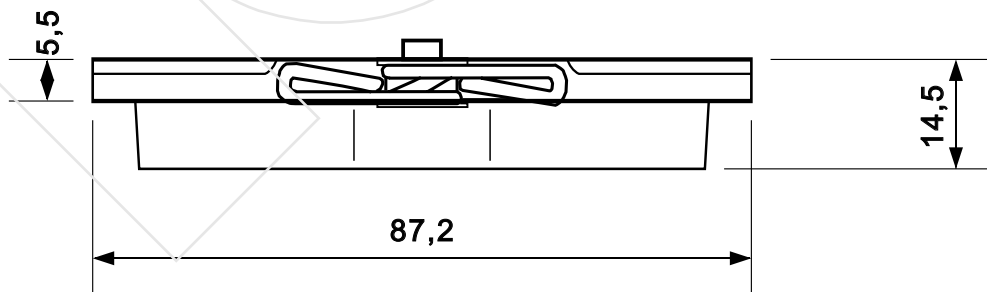
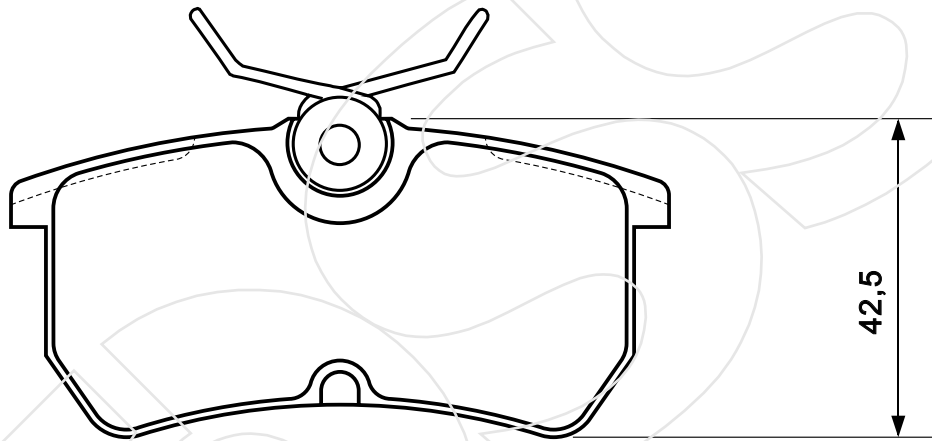
Reference in this Catalogue to other manufactures and to part numbers and other descriptions are for identification purposes only, because the above DISC BRAKE PADS are NOT ORIGINAL but with these interchangeable.

CODICE	IMPIANTO		ASSE	SCALA	APPLICAZIONI
<b>R-843</b>	ATE		POSTERIORE	1:1	VOLVO
CODICE COMPONENTI	N°	L(mm)	SERIE		
*	*	*	2 PEZZI TIPO A		
M0145	2		2 PEZZI TIPO B		
*	*				
CODICE ACCESSORI	N°	L(mm)	NOTE		
A008+A009	2+2				
*	*				
*	*				
*	*				



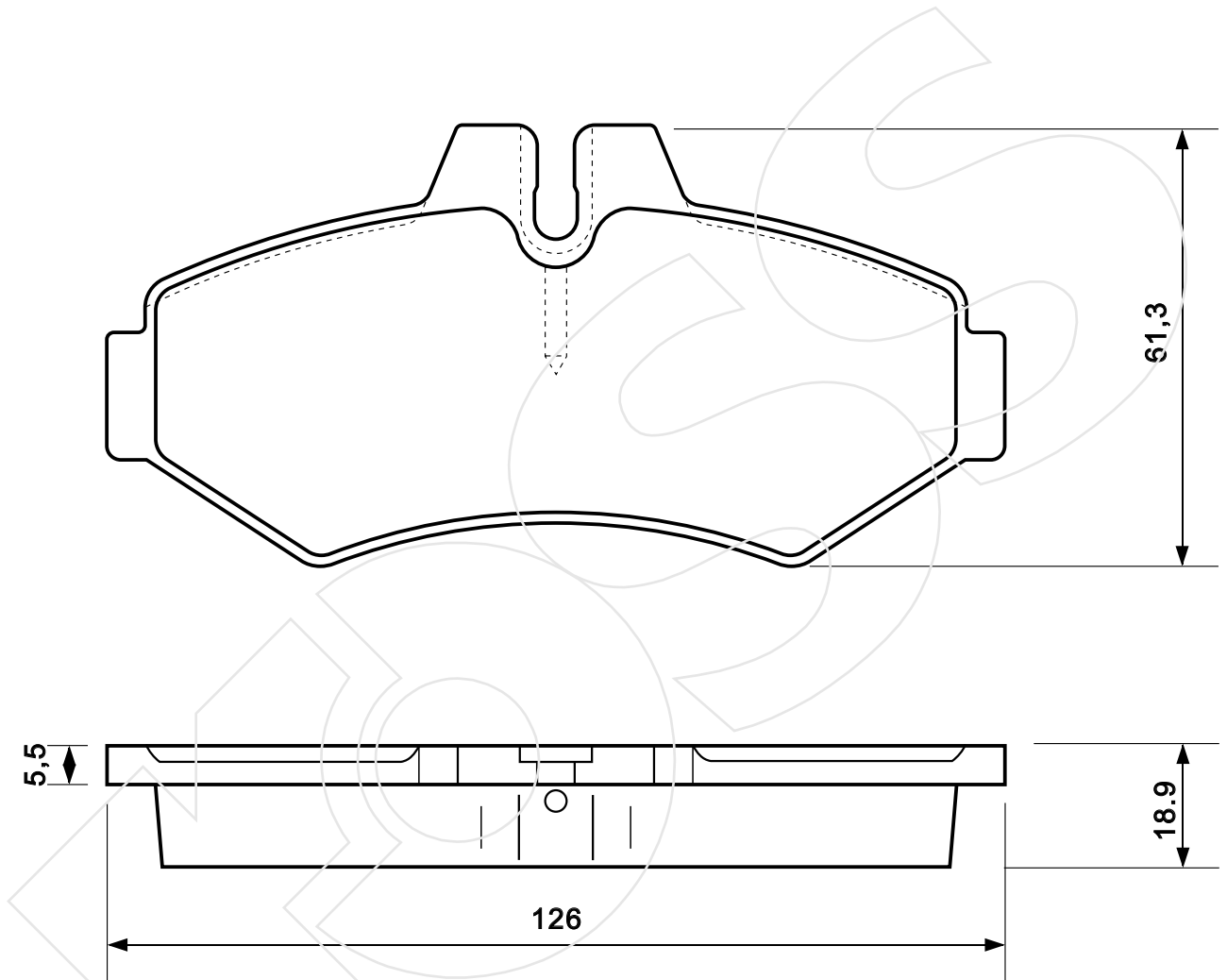
Reference in this Catalogue to other manufactures and to part numbers and other descriptions are for identification purposes only, because the above DISC BRAKE PADS are NOT ORIGINAL but with these interchangeable.

CODICE	IMPIANTO	ASSE	SCALA	APPLICAZIONI
<b>R-844</b>	GIRLING	POSTERIORE	1:1	FORD
CODICE COMPONENTI	N°	L(mm)	SERIE	
M 0015+P1004	4+4	*	4 PEZZI	
*	*			
*	*			
CODICE ACCESSORI	N°	L(mm)	NOTE	
*	*			
*	*			
*	*			
*	*			



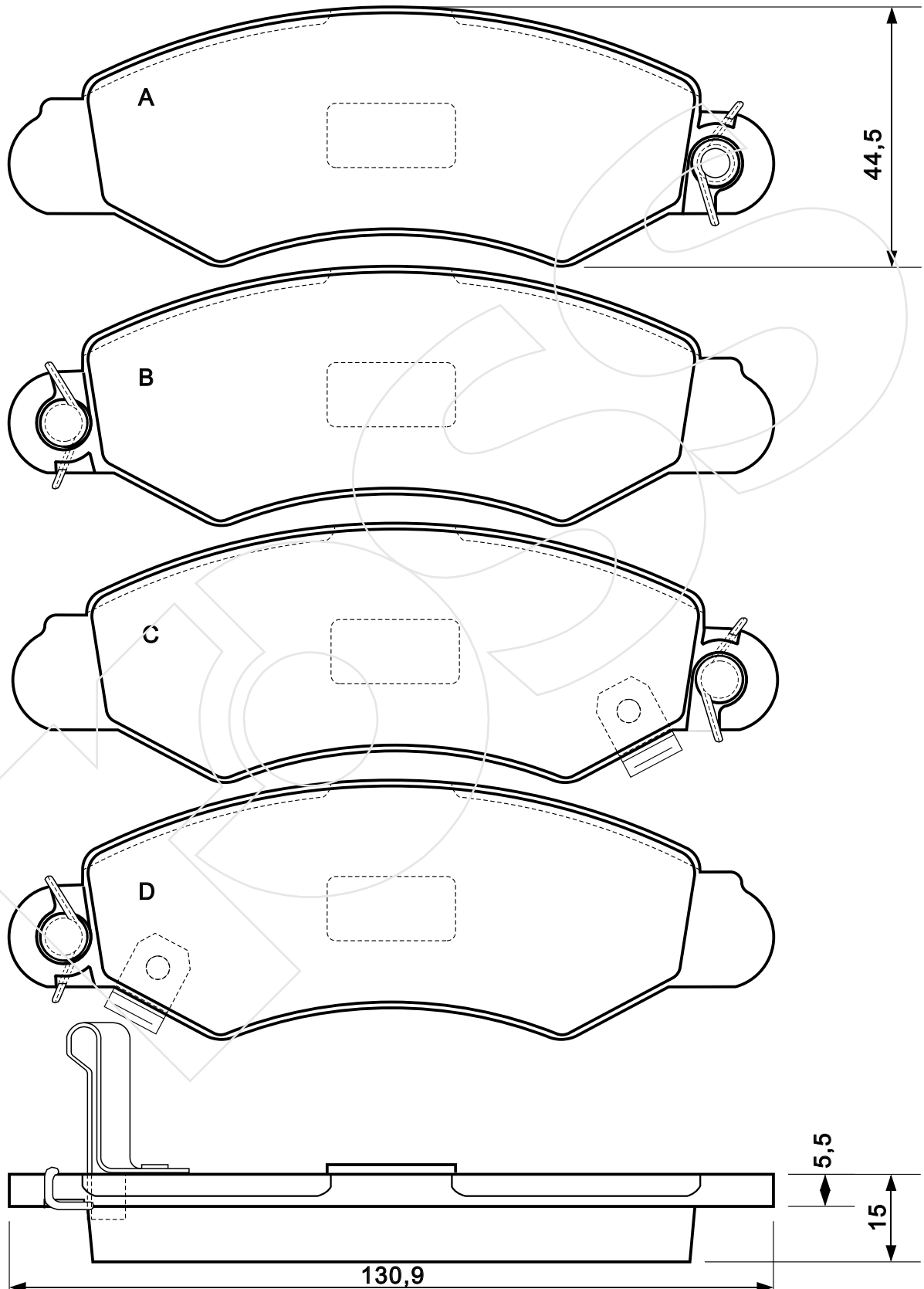
Reference in this Catalogue to other manufactures and to part numbers and other descriptions are for identification purposes only, because the above DISC BRAKE PADS are NOT ORIGINAL but with these interchangeable.

CODICE	IMPIANTO		ASSE	SCALA	APPLICAZIONI
<b>R-845</b>	PERROT		POSTERIORE	1:1	MERCEDES
CODICE COMPONENTI	N°	L(mm)	SERIE		
*	*	*	4 PEZZI		
*	*				
*	*				
CODICE ACCESSORI	N°	L(mm)	NOTE		
*	*				
*	*				
*	*				
*	*				



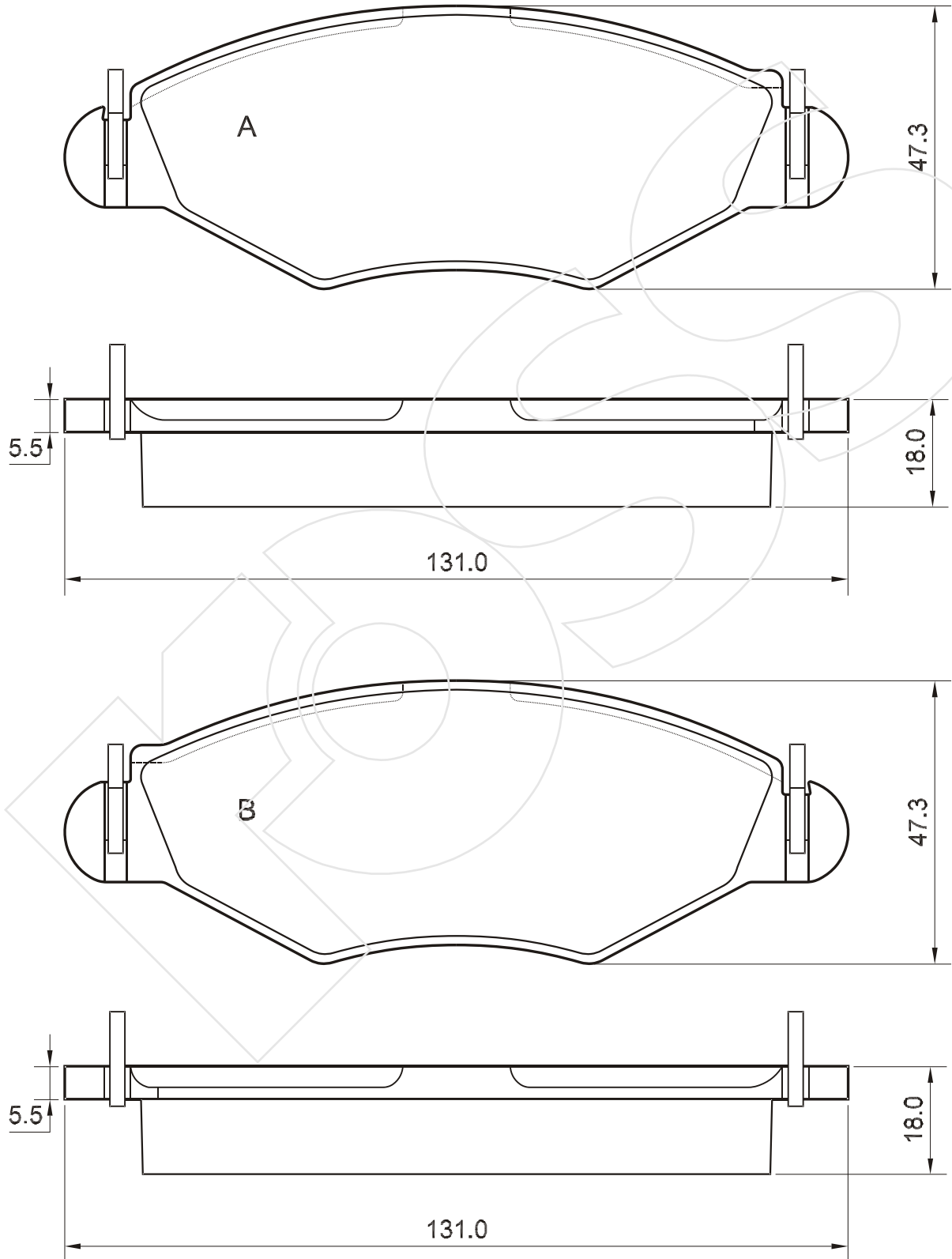
Reference in this Catalogue to other manufactures and to part numbers and other descriptions are for identification purposes only, because the above DISC BRAKE PADS are NOT ORIGINAL but with these interchangeable.

CODICE	IMPIANTO		ASSE	SCALA	APPLICAZIONI
<b>R-846</b>	BOSCH		ANTERIORE	1:1	SUZUKI
CODICE COMPONENTI	N°	L(mm)	SERIE		
M 0148	1	*	1 PEZZO TIPO A		
M 0148	1		1 PEZZO TIPO B		
M 0148 + M 0 177	1+1		1 PEZZO TIPO C		
M 0148 + M 0 177	1+1		1 PEZZO TIPO D		
CODICE ACCESSORI	N°	L(mm)	NOTE		
*	*				
*	*				
*	*				
*	*				



Reference in this Catalogue to other manufactures and to part numbers and other descriptions are for identification purposes only, because the above DISC BRAKE PADS are NOT ORIGINAL but with these interchangeable.

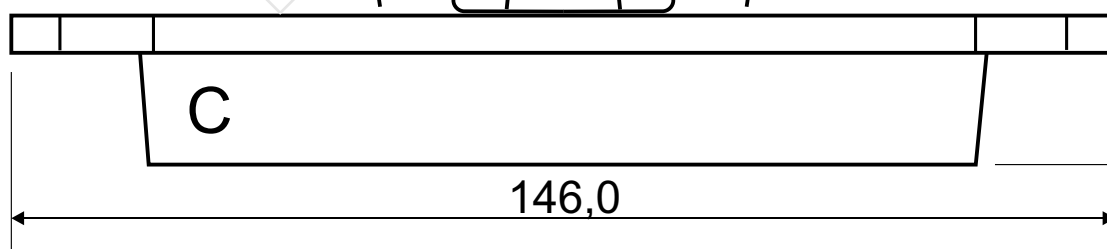
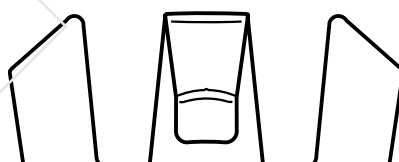
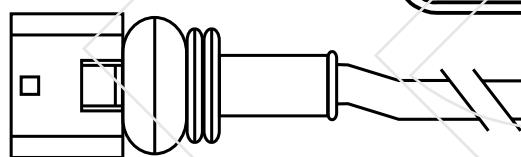
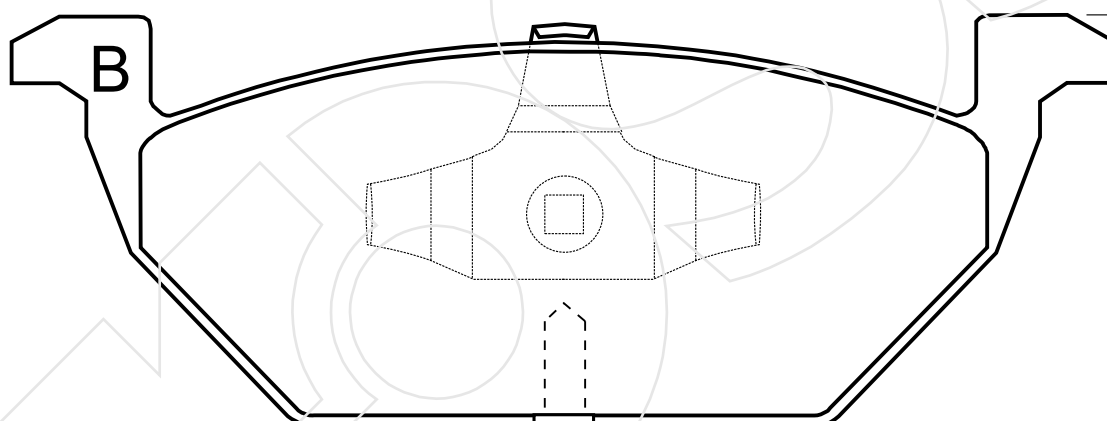
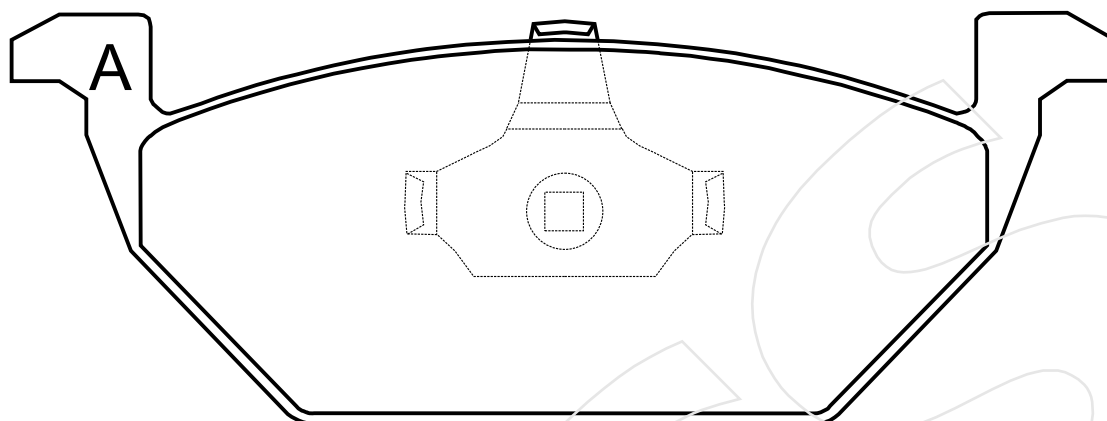
CODICE	IMPIANTO		ASSE	SCALA	APPLICAZIONI
<b>R-847</b>	BOSCH		ANTERIORE	100%	PEUGEOT
CODICE COMPONENTI	N°	L(mm)	SERIE		
M0180	4	*	2 PEZZI TIPO A		
M0180	4	*	2 PEZZI TIPO B		
*	*	*	*		
*	*	*	*		
CODICE ACCESSORI	N°	L(mm)	NOTE		
*	*	*			
*	*	*			
*	*	*			
*	*	*			



Reference in this Catalogue to other manufactures and to part numbers and other descriptions are for identification purposes only, because the above DISC BRAKE PADS are NOT ORIGINAL but with these interchangeable.

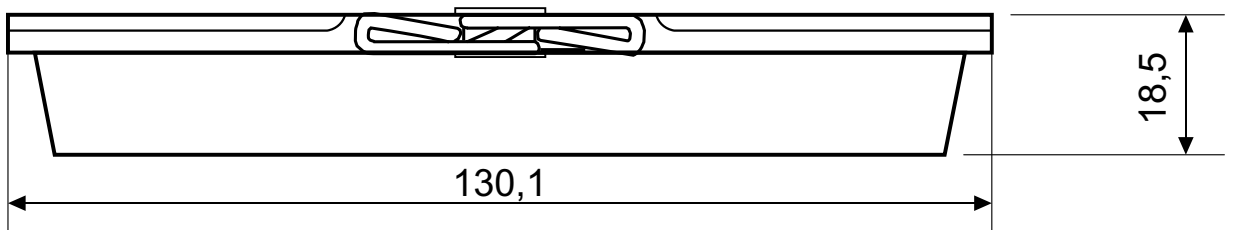
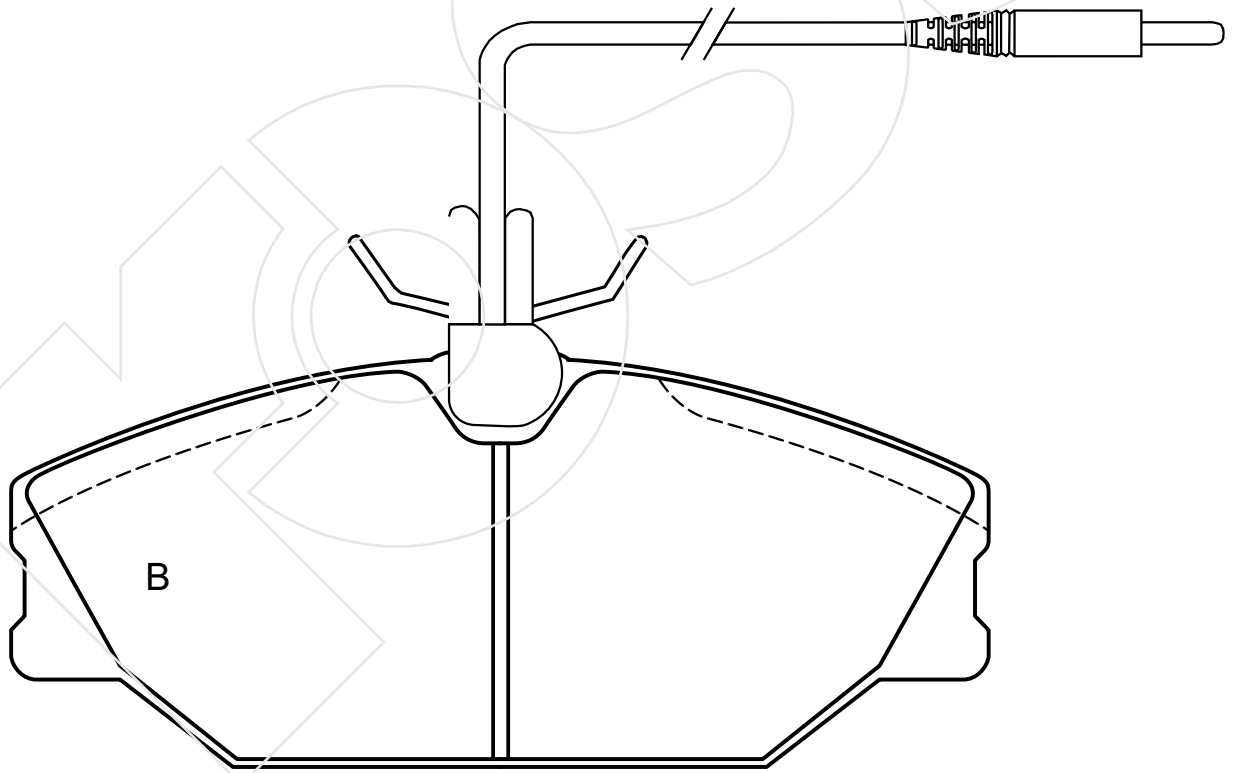
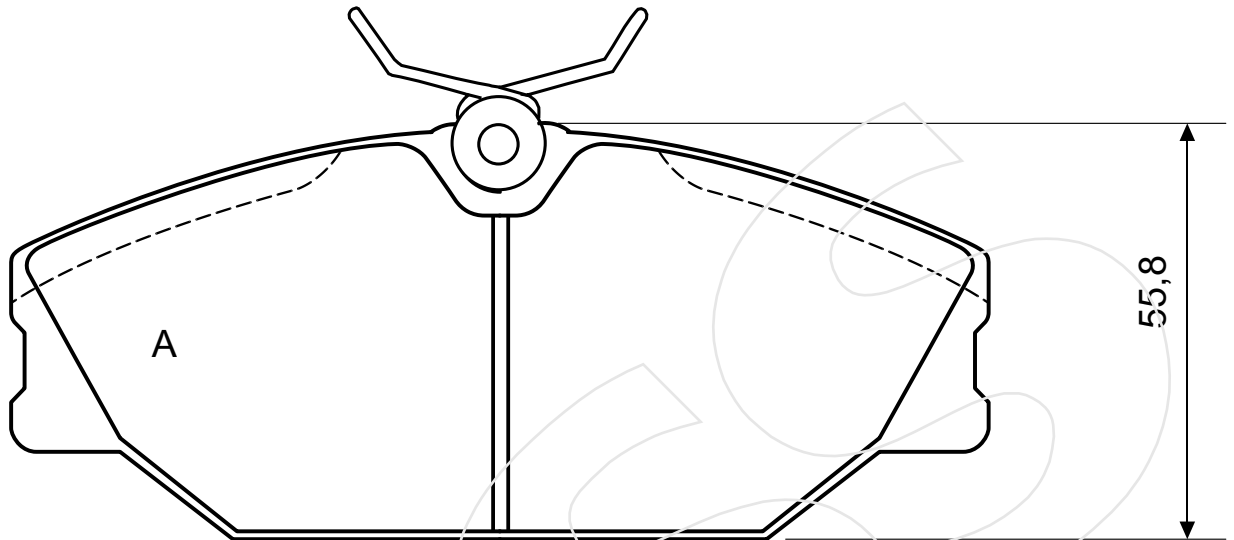


CODICE	IMPIANTO		ASSE	SCALA	APPLICAZIONI
<b>R-848</b>	ATE		ANTERIORE	1:1	AUDI VW
CODICE COMPONENTI	N°	L(mm)	SERIE		
M0128	2		2 PEZZI TIPO A		
M0172+F3114	1+1	140	1 PEZZO TIPO B		
M0172	1		1 PEZZO TIPO C		
CODICE ACCESSORI	N°	L(mm)	NOTE		
*	*		*		
*	*		*		
*	*		*		
*	*		*		



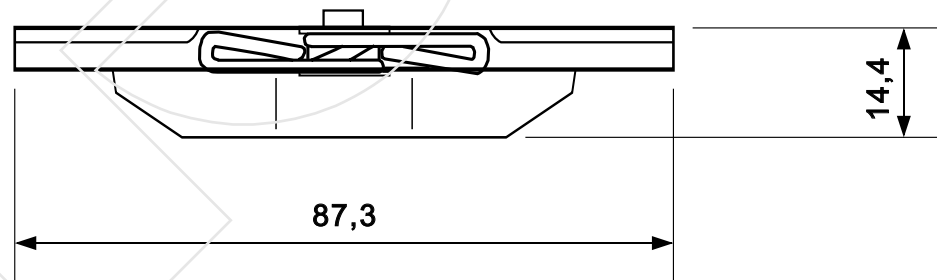
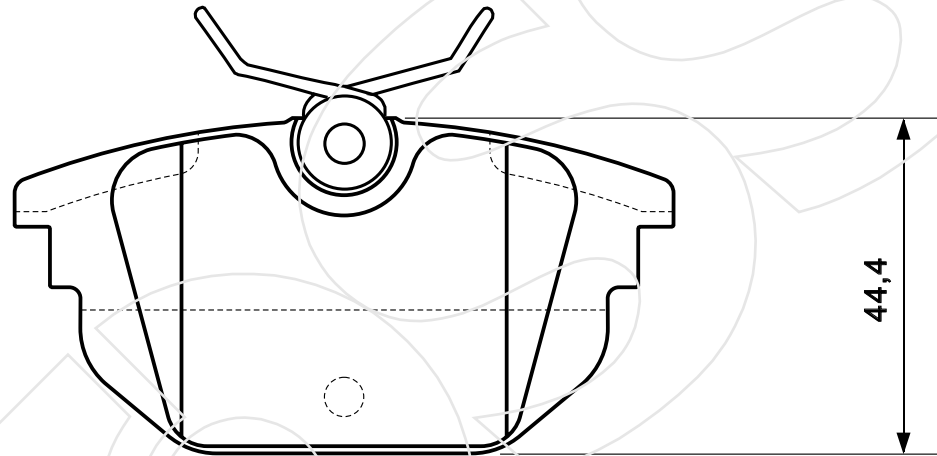
Reference in this Catalogue to other manufactures and to part numbers and other descriptions are for identification purposes only, because the above DISC BRAKE PADS are NOT ORIGINAL but with these interchangeable.

CODICE	IMPIANTO	ASSE	SCALA	APPLICAZIONI
<b>R-849</b>	*	ANTERIORE	1:1	RENAULT
CODICE COMPONENTI	N°	L(mm)	SERIE	
M 0015+P1004	3+3	*	3 PEZZI TIPO A	
M 0015 + F 3074	1+1	305	1 PEZZO TIPO B	
*	*	*		
	*	*		
CODICE ACCESSORI	N°	L(mm)	NOTE	
*	*			
*	*			
*	*			
*	*			



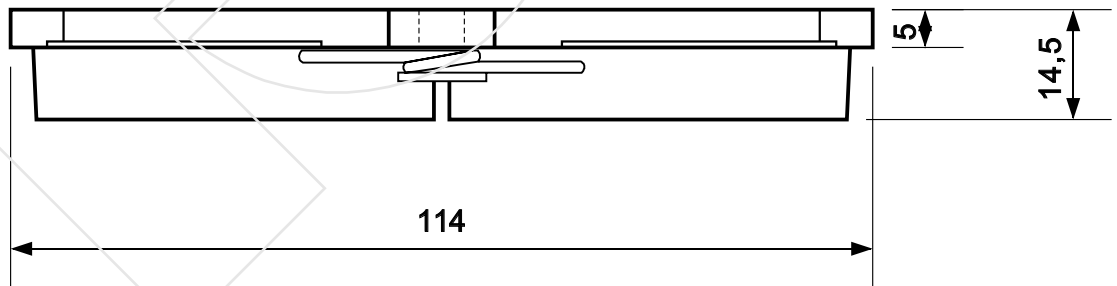
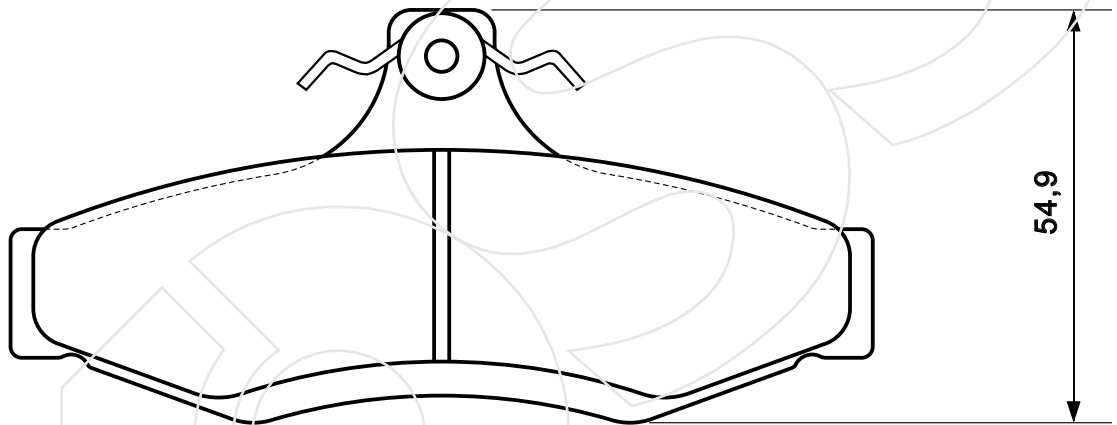
Reference in this Catalogue to other manufactures and to part numbers and other descriptions are for identification purposes only, because the above DISC BRAKE PADS are NOT ORIGINAL but with these interchangeable.

CODICE	IMPIANTO	ASSE	SCALA	APPLICAZIONI
<b>R-850</b>	GIRLING	POSTERIORE	1:1	ALFA ROMEO FIAT LANCIA
CODICE COMPONENTI	N°	L(mm)	SERIE	
M 0015+P1004	4+4		4 PEZZI	
CODICE ACCESSORI	N°	L(mm)	NOTE	
*	*			
*	*			
*	*			
*	*			



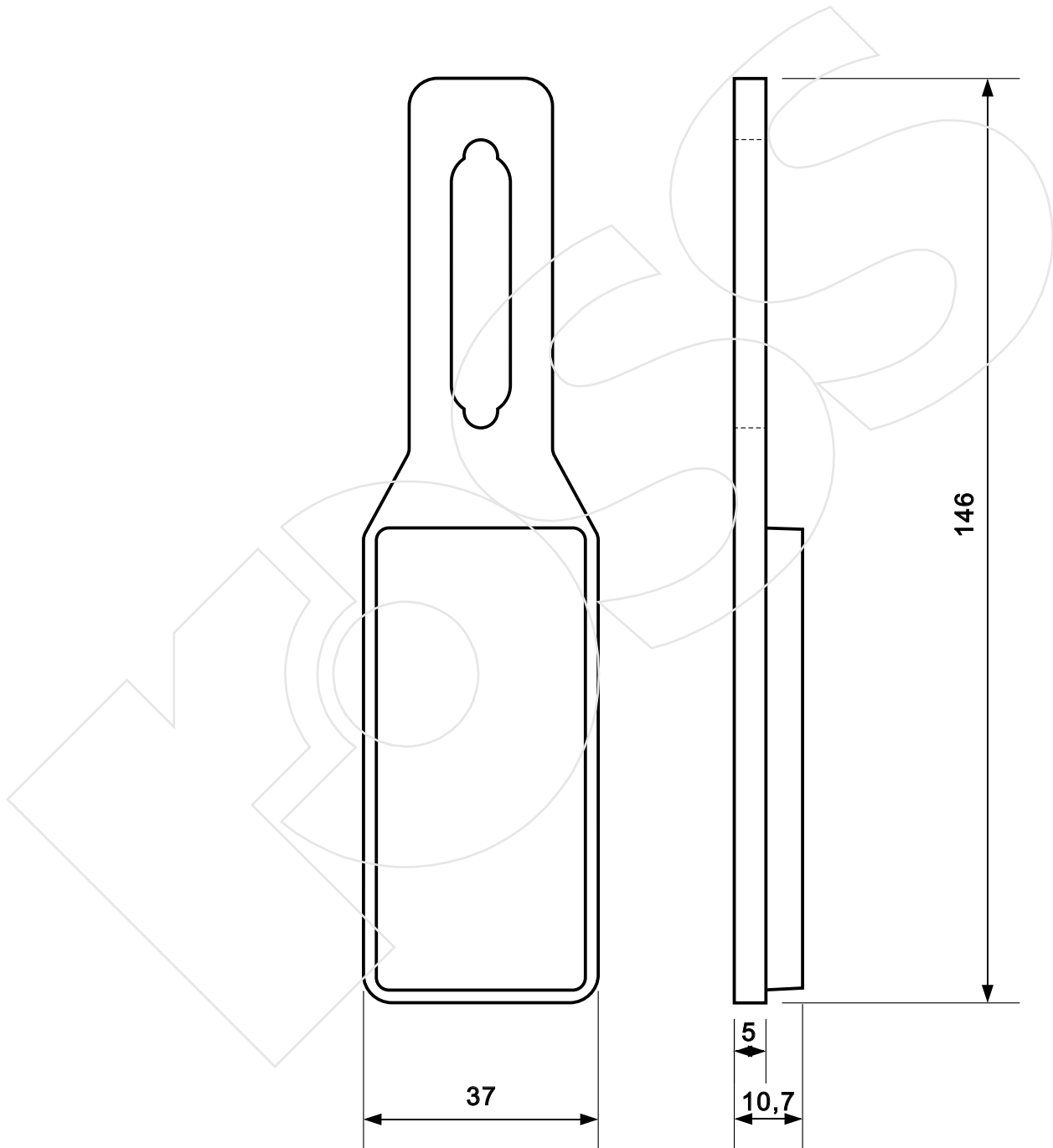
Reference in this Catalogue to other manufactures and to part numbers and other descriptions are for identification purposes only, because the above DISC BRAKE PADS are NOT ORIGINAL but with these interchangeable.

CODICE	IMPIANTO	ASSE	SCALA	APPLICAZIONI
<b>R-851</b>	*	POSTERIORE	1:1	DAEWOO
CODICE COMPONENTI	N°	L(mm)	SERIE	
M0030	4	*	4 PEZZI	
*	*			
*	*			
CODICE ACCESSORI	N°	L(mm)	NOTE	
*	*			
*	*			
*	*			
*	*			



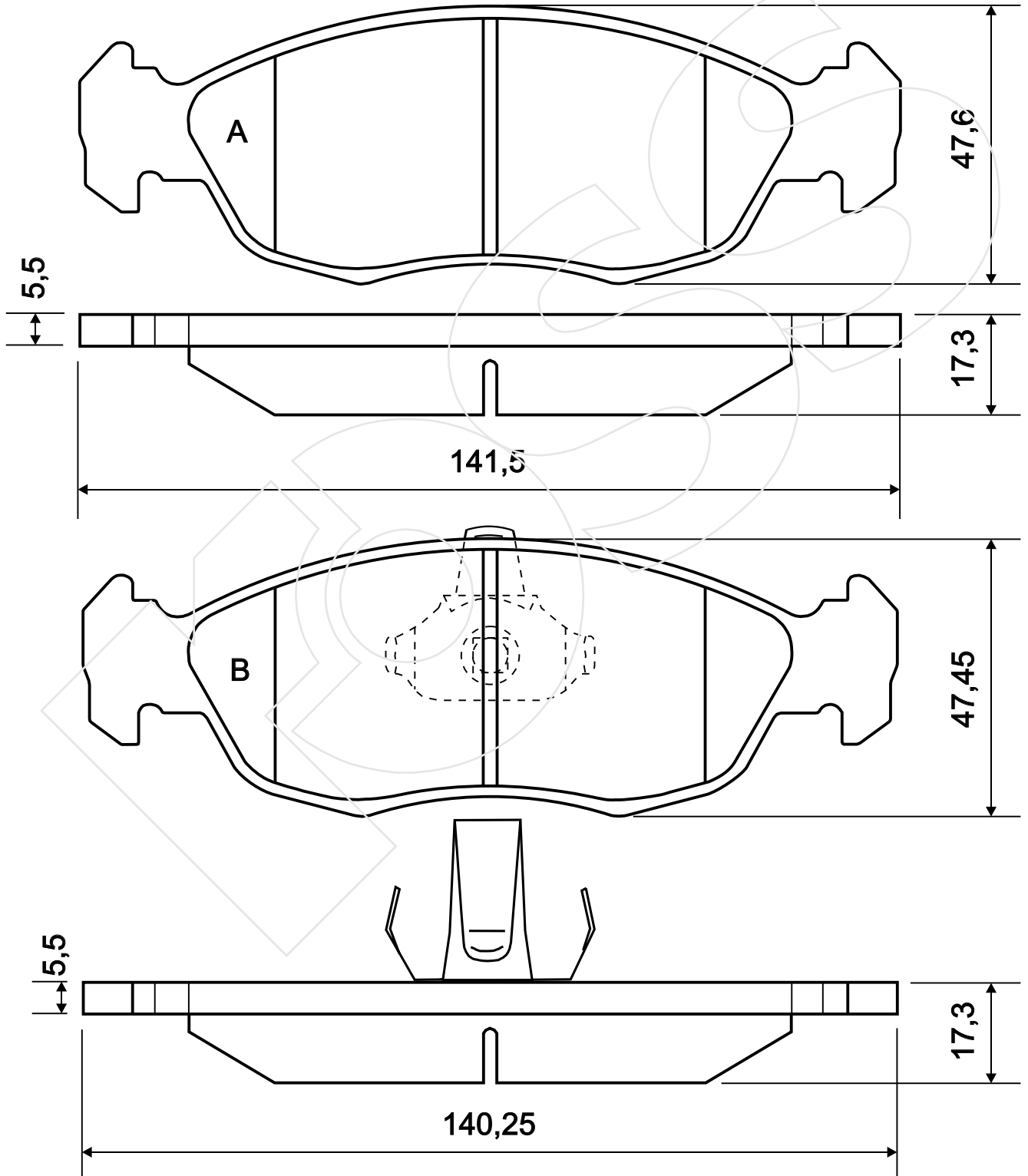
Reference in this Catalogue to other manufactures and to part numbers and other descriptions are for identification purposes only, because the above DISC BRAKE PADS are NOT ORIGINAL but with these interchangeable.

CODICE	IMPIANTO	ASSE	SCALA	APPLICAZIONI
<b>R-852</b>	CITROEN	FRENO A MANO	1:1	CITROEN
CODICE COMPONENTI	N°	L(mm)	SERIE	
*	*	*	2 PEZZI	
*	*			
*	*			
CODICE ACCESSORI	N°	L(mm)	NOTE	
*	*			
*	*			
*	*			
*	*			

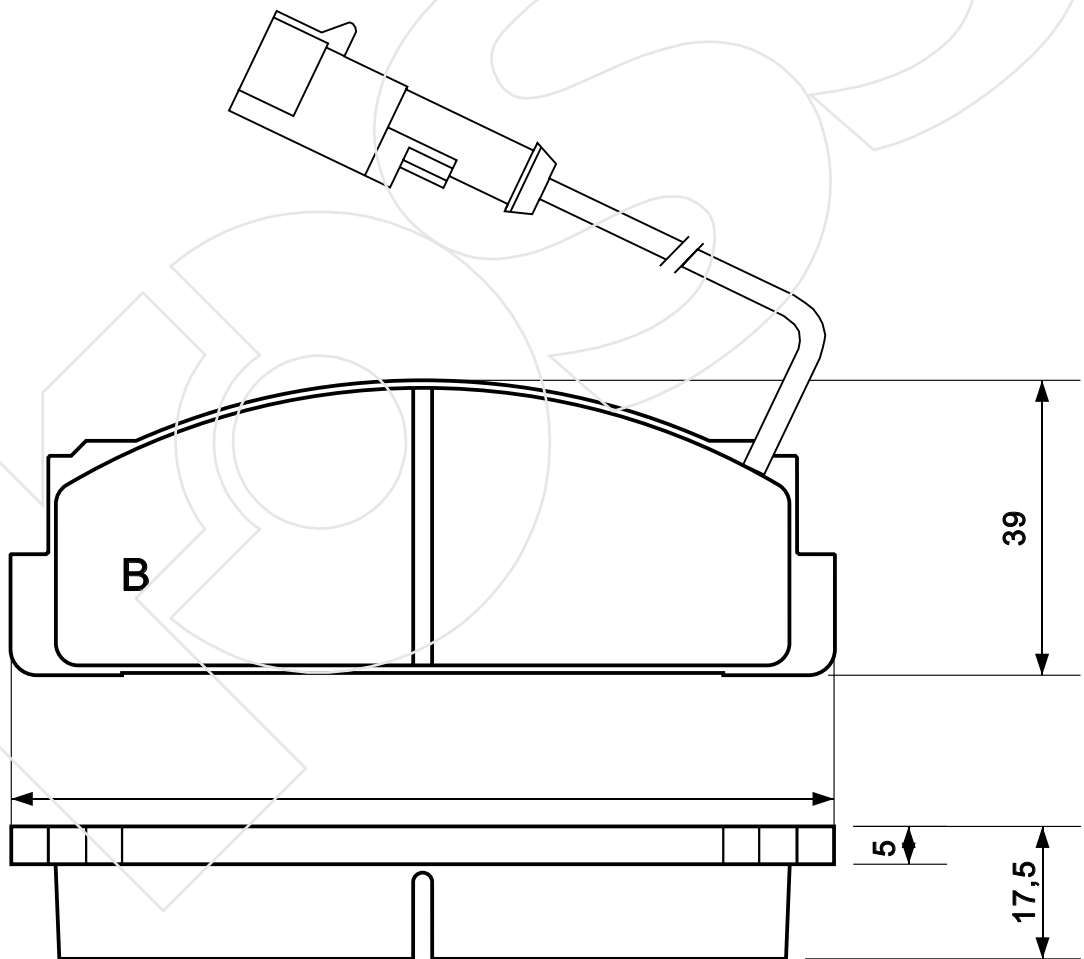
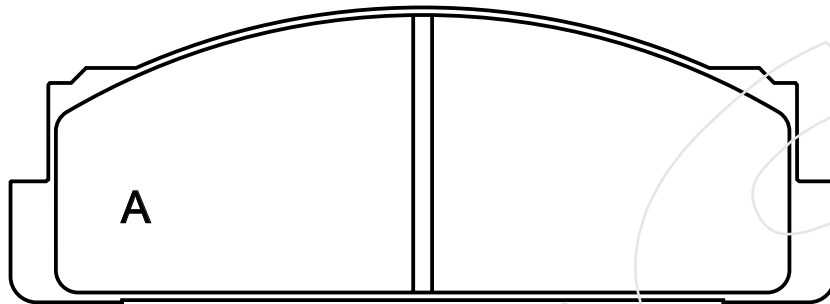


Reference in this Catalogue to other manufactures and to part numbers and other descriptions are for identification purposes only, because the above DISC BRAKE PADS are NOT ORIGINAL but with these interchangeable.

CODICE	IMPIANTO		ASSE	SCALA	APPLICAZIONI
<b>R-853</b>	ATE		ANTERIORE	1:1	PEUGEOT
CODICE COMPONENTI	N°	L(mm)	SERIE		
*	*	*	2 PEZZI TIPO (A)		
M0106	2		2 PEZZI TIPO (B)		
*	*				
CODICE ACCESSORI	N°	L(mm)	NOTE		
*	*		*		
*	*		*		
*	*		*		
*	*		*		



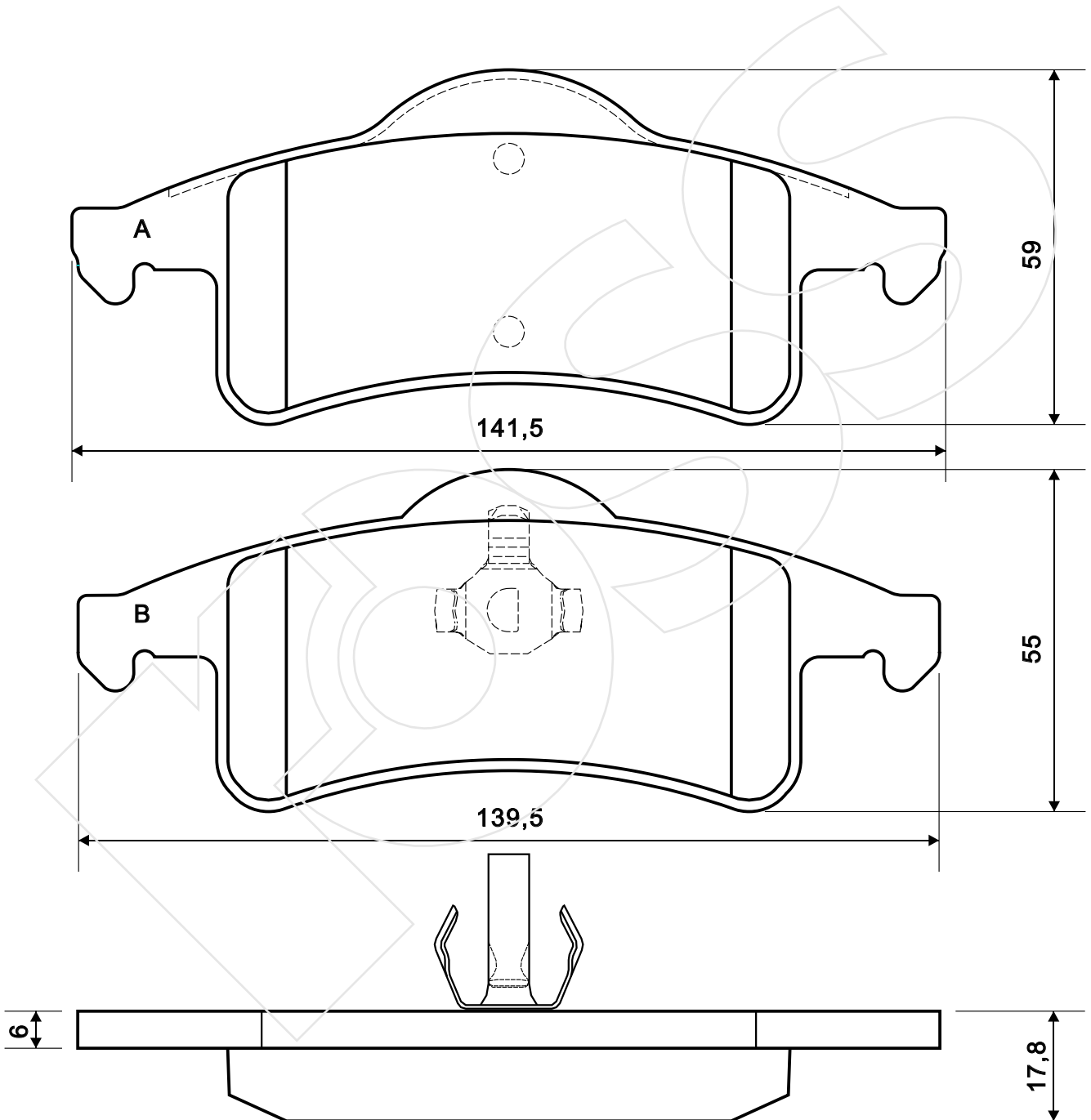
CODICE	IMPIANTO	ASSE	SCALA	APPLICAZIONI
<b>R-854</b>	BENDIX	ANTERIORE	1:1	FIAT TURCHIA
CODICE COMPONENTI	N°	L(mm)	SERIE	
*	*		3 PEZZI TIPO A	
F3020	1	230	1 PEZZO TIPO B	
*	*			
CODICE ACCESSORI	N°	L(mm)	NOTE	
*	*			
*	*			
*	*			
*	*			



109

Reference in this Catalogue to other manufactures and to part numbers and other descriptions are for identification purposes only, because the above DISC BRAKE PADS are NOT ORIGINAL but with these interchangeable.

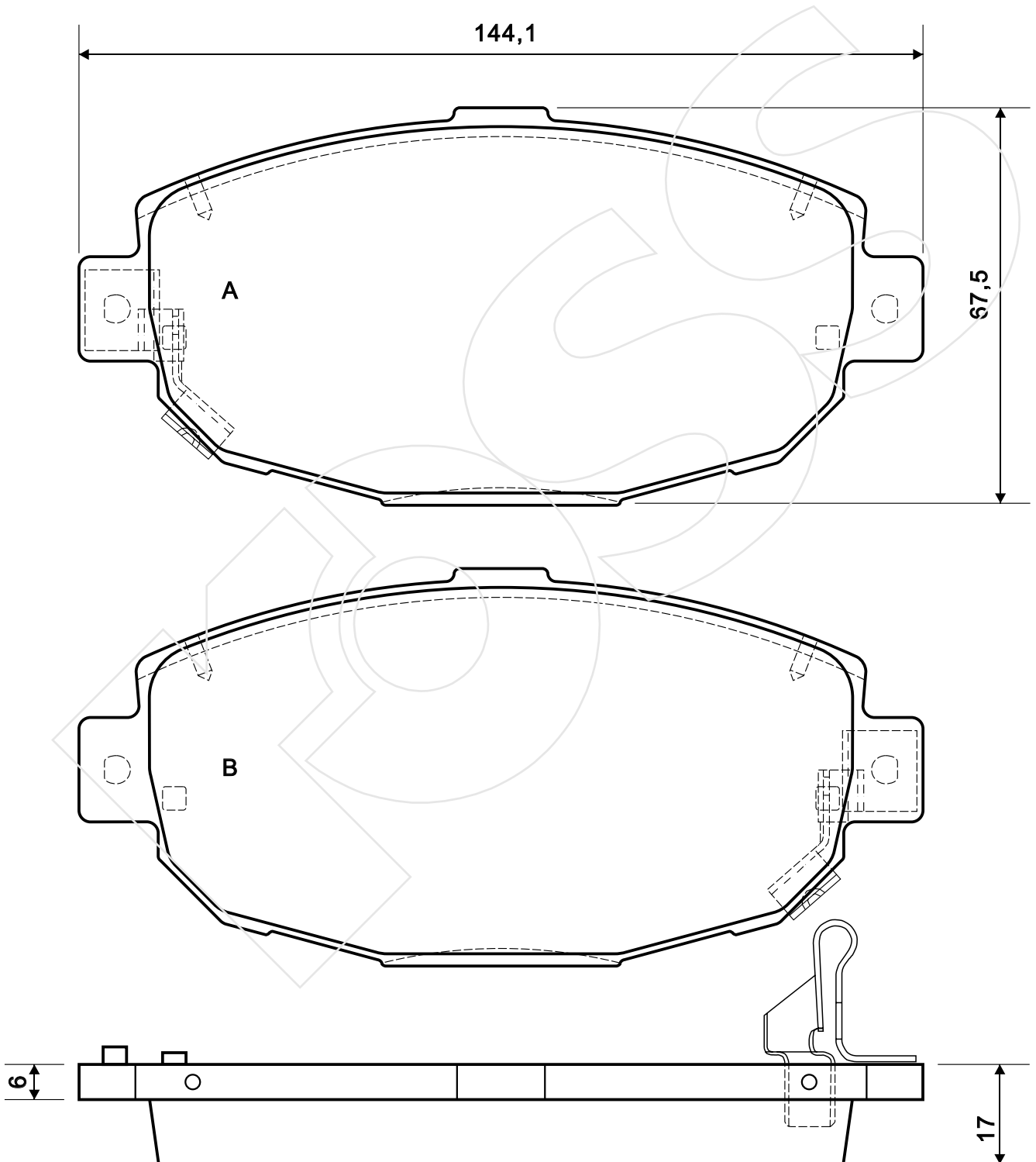
CODICE	IMPIANTO	ASSE	SCALA	APPLICAZIONI
<b>R-855</b>	ATE	POSTERIORE	1:1	Grand Cherokee
CODICE COMPONENTI	N°	L(mm)	SERIE	
*	*	*	2 PEZZI TIPO A	
M0196	2		2 PEZZI TIPO B	
*	*			
CODICE ACCESSORI	N°	L(mm)	NOTE	
*	*			
*	*			
*	*			
*	*			



Reference in this Catalogue to other manufactures and to part numbers and other descriptions are for identification purposes only, because the above DISC BRAKE PADS are NOT ORIGINAL but with these interchangeable.

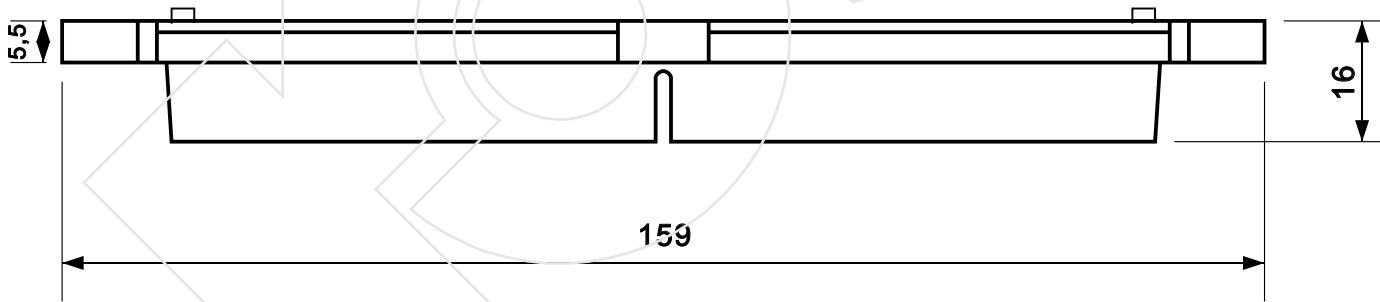
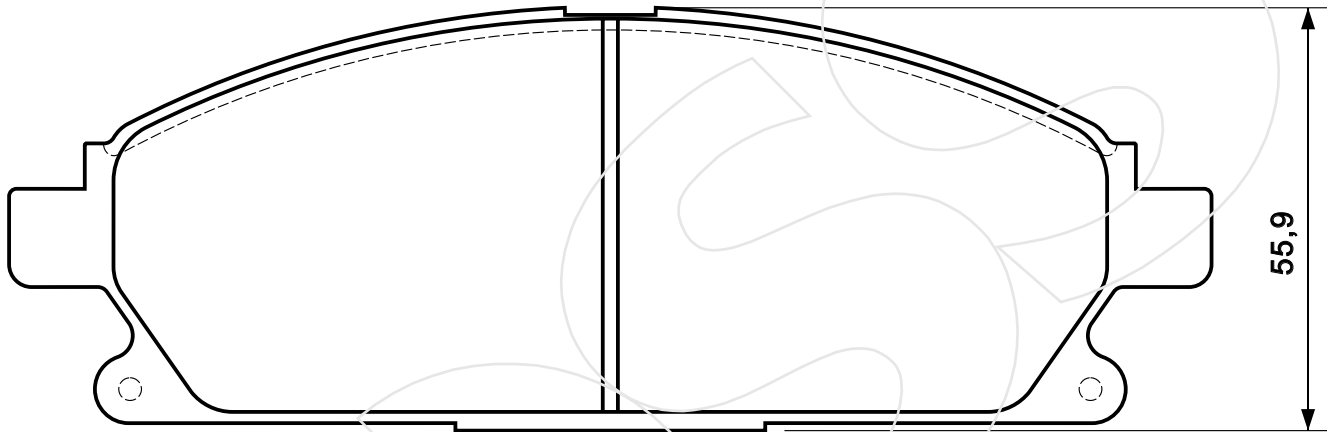


CODICE	IMPIANTO		ASSE	SCALA	APPLICAZIONI
<b>R-856</b>	*		ANTERIORE	1:1	LEXUS
CODICE COMPONENTI	N°	L(mm)	SERIE		
M0191	2	*	2 PEZZI	TIPO A	
M0192	2	*	2 PEZZI	TIPO B	
*	*	*			
CODICE ACCESSORI	N°	L(mm)	NOTE		
*	*	*			
*	*	*			
*	*	*			
*	*	*			



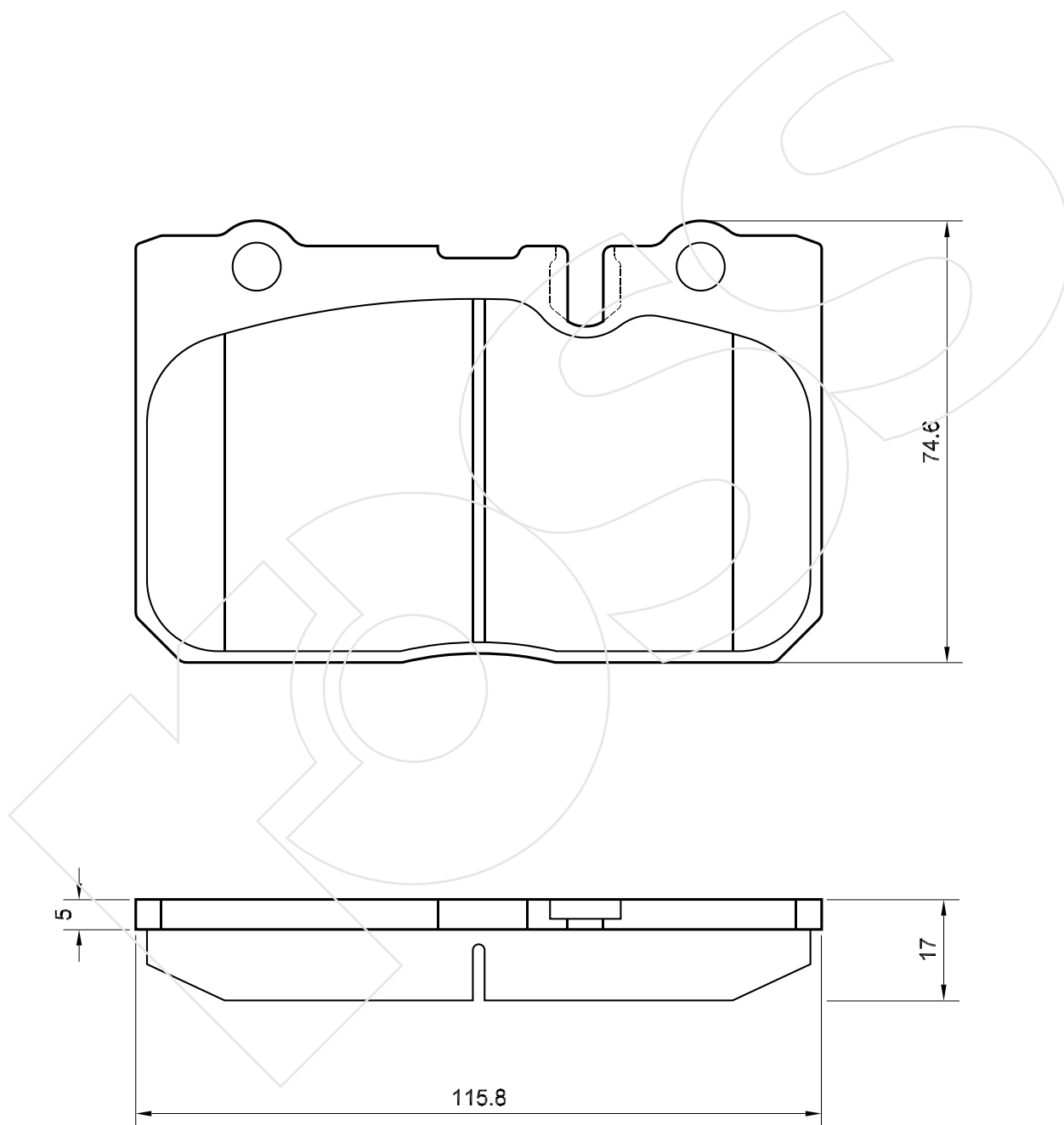
Reference in this Catalogue to other manufactures and to part numbers and other descriptions are for identification purposes only, because the above DISC BRAKE PADS are NOT ORIGINAL but with these interchangeable.

CODICE	IMPIANTO		ASSE	SCALA	APPLICAZIONI
<b>R-857</b>	SUM		ANTERIORE	1:1	NISSAN
CODICE COMPONENTI	N°	L(mm)	SERIE		
*	*	*	4 PEZZI		
*	*				
*	*				
CODICE ACCESSORI	N°	L(mm)	NOTE		
*	*				
*	*				
*	*				
*	*				



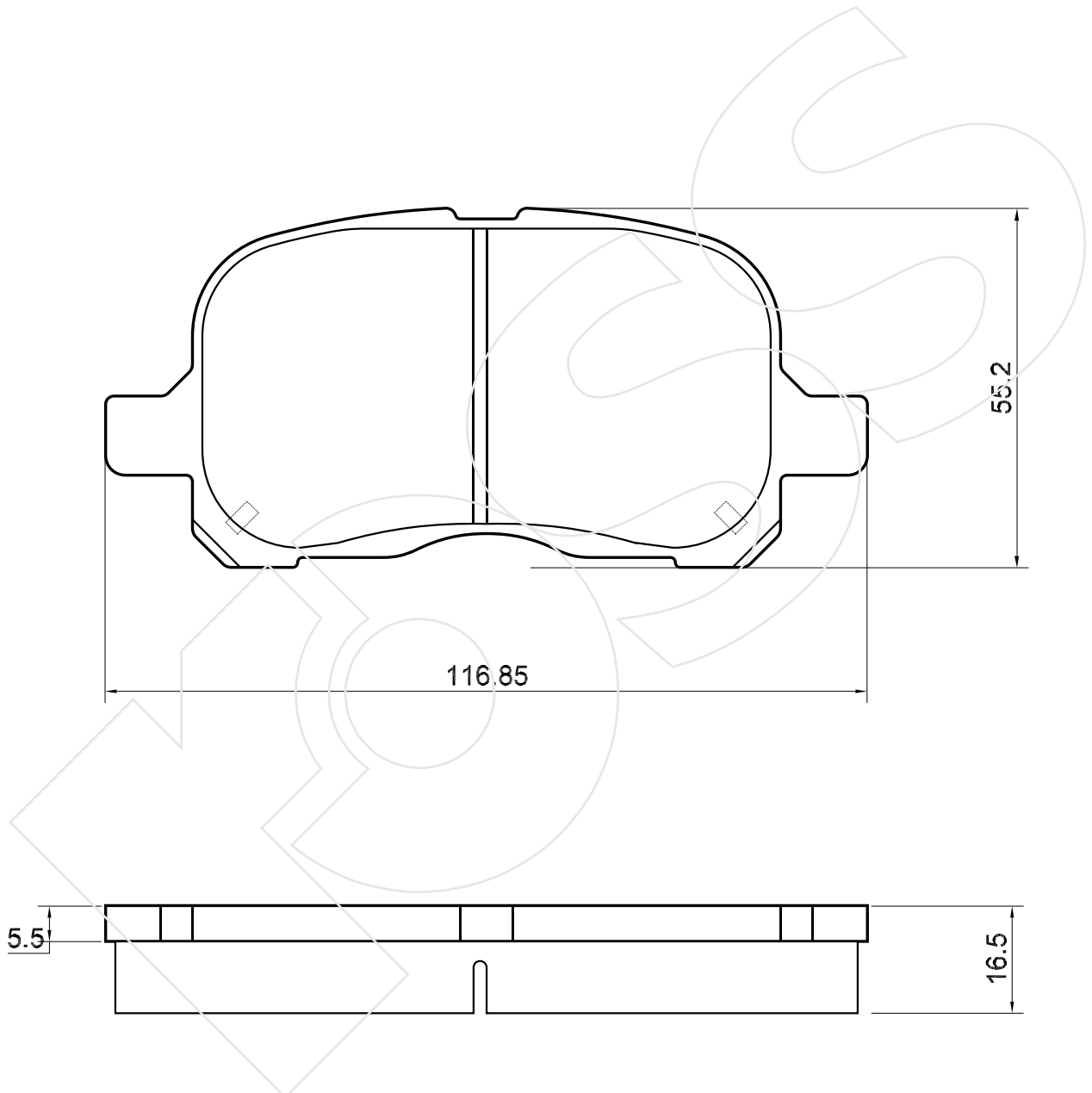
Reference in this Catalogue to other manufactures and to part numbers and other descriptions are for identification purposes only, because the above DISC BRAKE PADS are NOT ORIGINAL but with these interchangeable.

CODICE	IMPIANTO		ASSE	SCALA	APPLICAZIONI
<b>R-858</b>	*		ANTERIORE	100%	TOYOTA LEXUS
CODICE COMPONENTI	N°	L(mm)	SERIE		
*	*	*	4 PEZZI		
*	*	*	*		
*	*	*	*		
*	*	*	*		
CODICE ACCESSORI	N°	L(mm)	NOTE		
*	*	*			
*	*	*			
*	*	*			



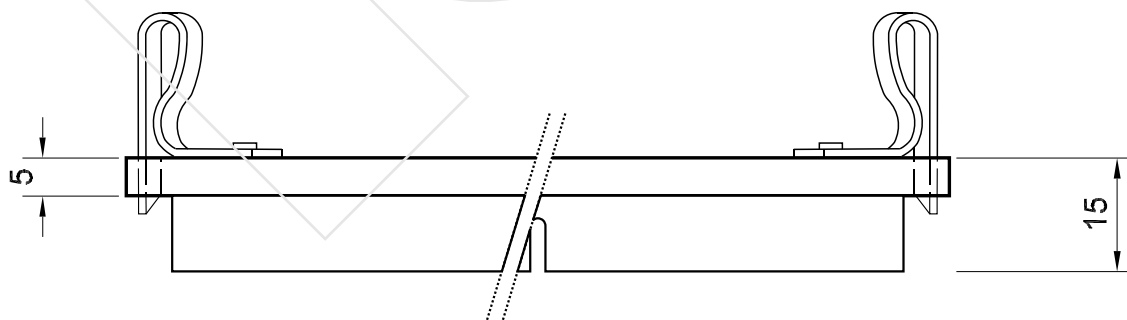
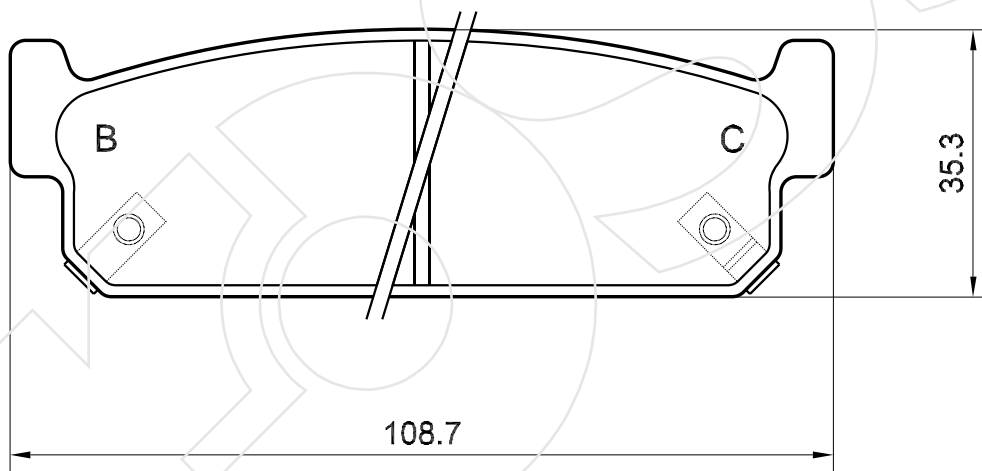
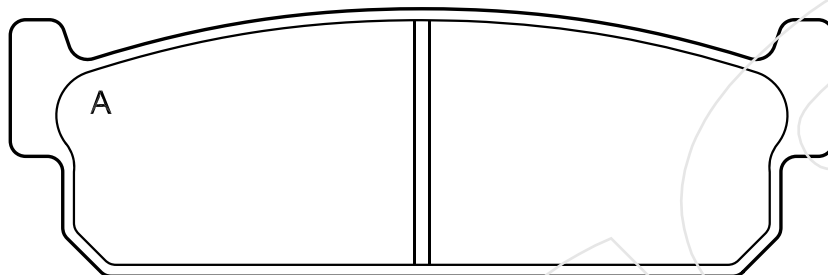
Reference in this Catalogue to other manufactures and to part numbers and other descriptions are for identification purposes only, because the above DISC BRAKE PADS are NOT ORIGINAL but with these interchangeable.

CODICE	IMPIANTO		ASSE	SCALA	APPLICAZIONI
<b>R-859</b>	AKEBONO		ANTERIORE	100%	TOYOTA
CODICE COMPONENTI	N°	L(mm)	SERIE		
*	*	*	4 PEZZI		
*	*	*			
*	*	*			
*	*	*			
CODICE ACCESSORI	N°	L(mm)	NOTE		
*	*	*			
*	*	*			
*	*	*			
*	*	*			



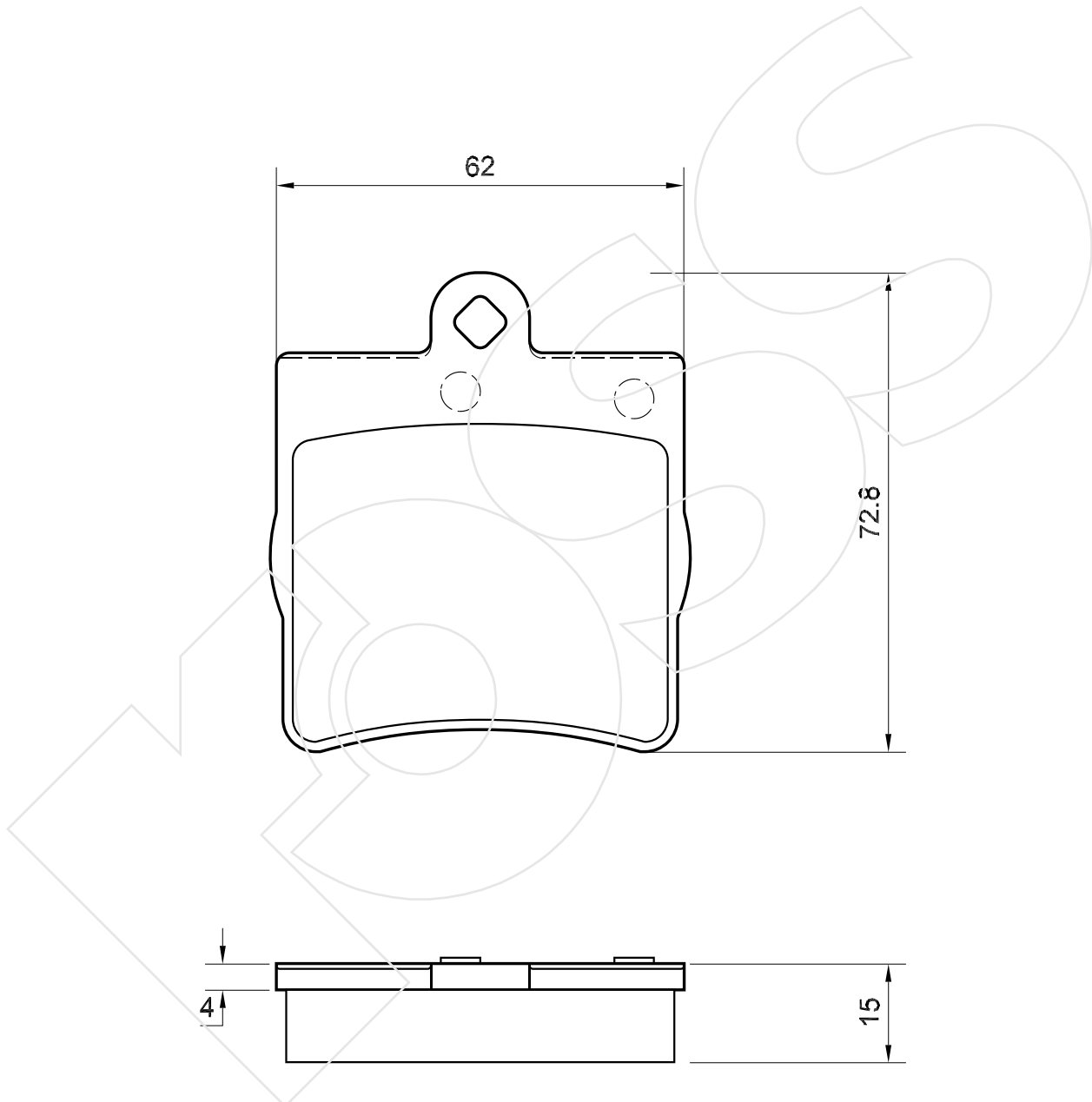
Reference in this Catalogue to other manufactures and to part numbers and other descriptions are for identification purposes only, because the above DISC BRAKE PADS are NOT ORIGINAL but with these interchangeable.

CODICE	IMPIANTO		ASSE	SCALA	APPLICAZIONI
<b>R-860</b>	SUMITOMO		ANTERIORE	100%	NISSAN
CODICE COMPONENTI	N°	L(mm)	SERIE		
*	*	*	2 PEZZI TIPO A		
M0193	1	*	1 PEZZO TIPO B		
M0193	1	*	1 PEZZO TIPO C		
*	*	*			
CODICE ACCESSORI	N°	L(mm)	NOTE		
*	*	*			
*	*	*			
*	*	*			
*	*	*			



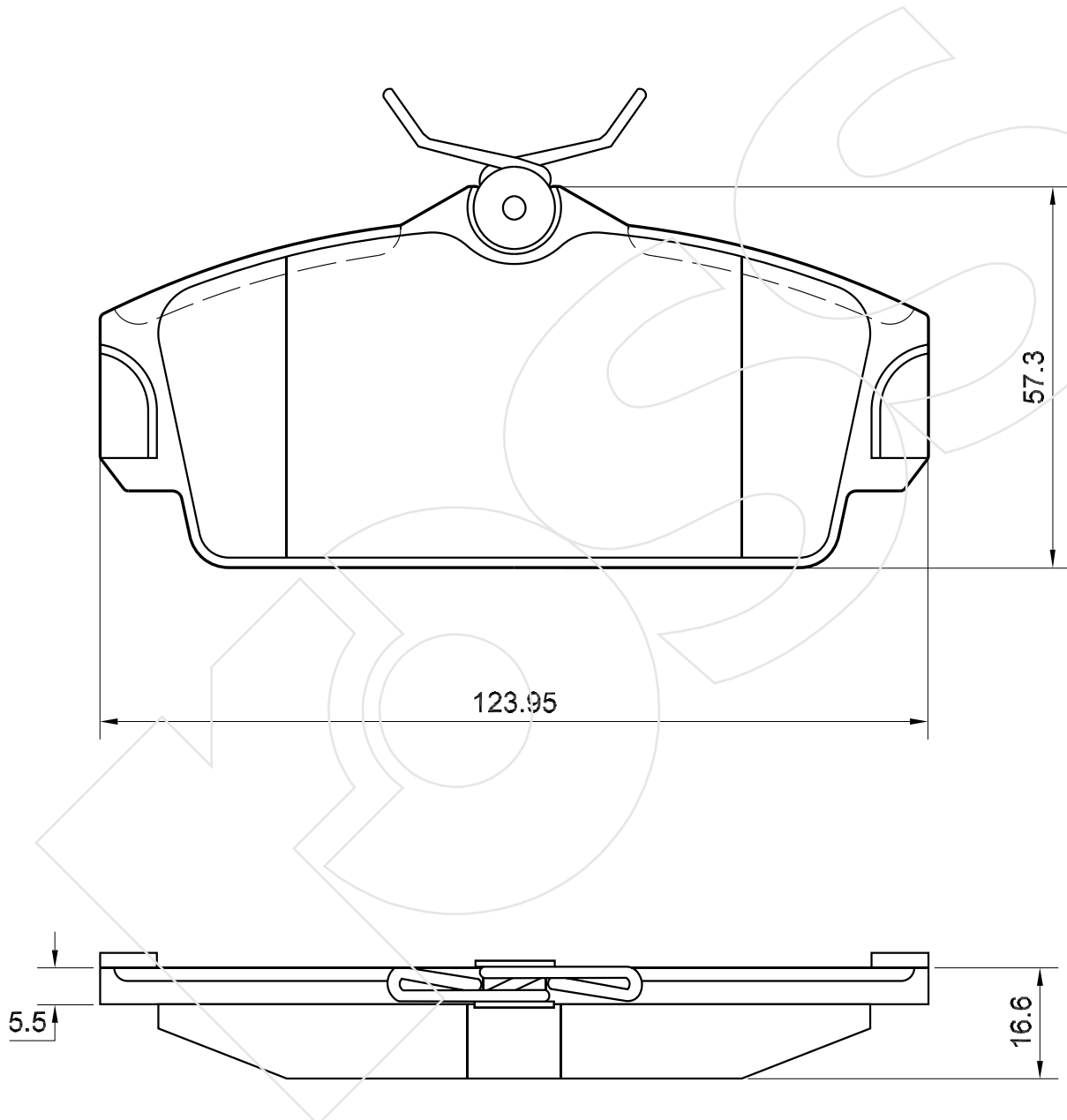
Reference in this Catalogue to other manufactures and to part numbers and other descriptions are for identification purposes only, because the above DISC BRAKE PADS are NOT ORIGINAL but with these interchangeable.

CODICE	IMPIANTO		ASSE	SCALA	APPLICAZIONI
<b>R-861</b>	ATE		POSTERIORE	100%	MERCEDES
CODICE COMPONENTI	N°	L(mm)	SERIE		
*	*	*	4 PEZZI		
*	*	*			
*	*	*			
*	*	*			
CODICE ACCESSORI	N°	L(mm)	NOTE		
*	*	*			
*	*	*			
*	*	*			
*	*	*			



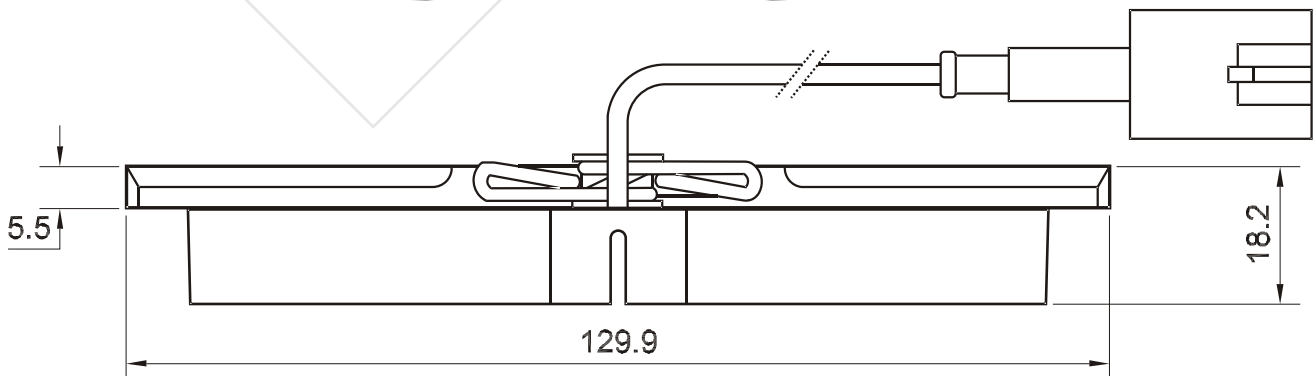
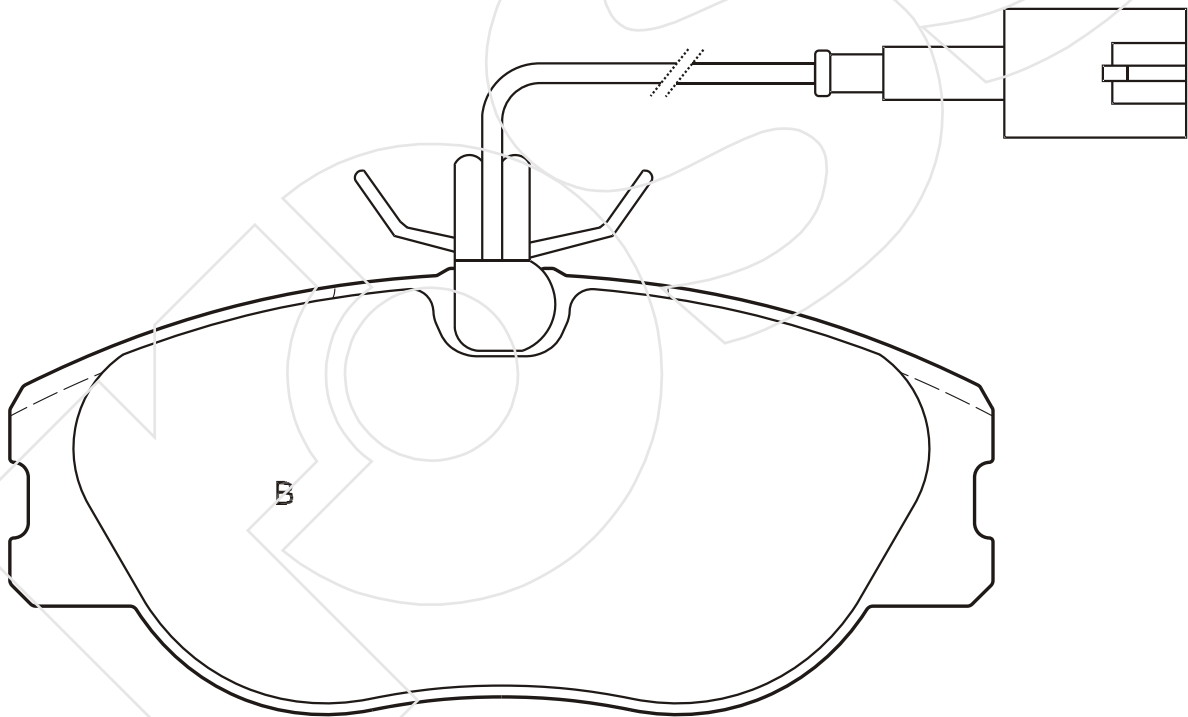
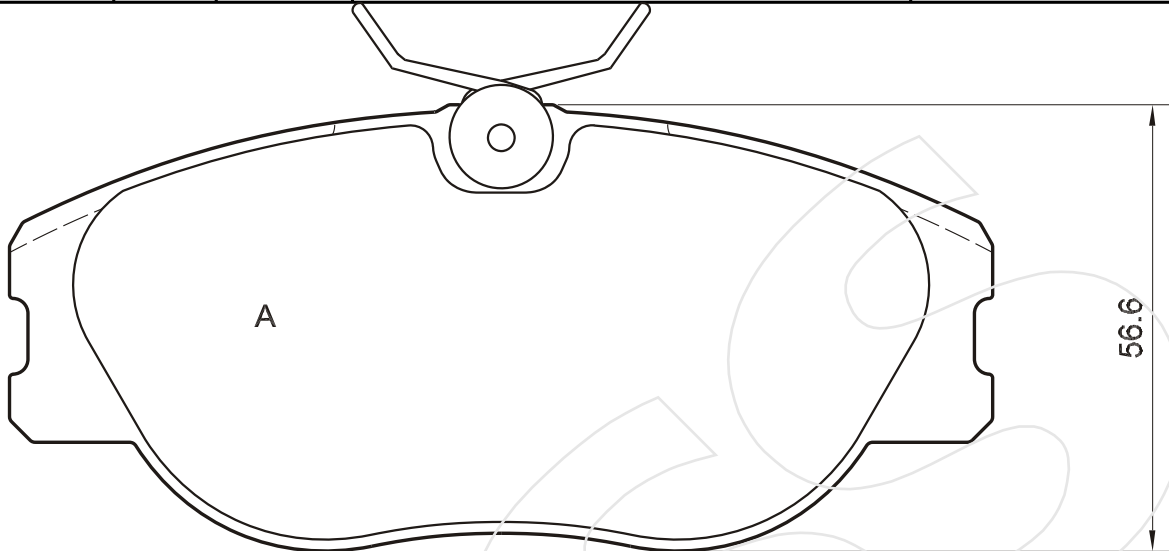
Reference in this Catalogue to other manufactures and to part numbers and other descriptions are for identification purposes only, because the above DISC BRAKE PADS are NOT ORIGINAL but with these interchangeable.

CODICE	IMPIANTO		ASSE	SCALA	APPLICAZIONI
<b>R-862</b>	GIR		ANTERIORE	100%	NISSAN
CODICE COMPONENTI	N°	L(mm)	SERIE		
M0015+P1004	4+4	*	4 PEZZI		
*	*	*			
*	*	*			
*	*	*			
CODICE ACCESSORI	N°	L(mm)	NOTE		
*	*	*			
*	*	*			
*	*	*			



Reference in this Catalogue to other manufactures and to part numbers and other descriptions are for identification purposes only, because the above DISC BRAKE PADS are NOT ORIGINAL but with these interchangeable.

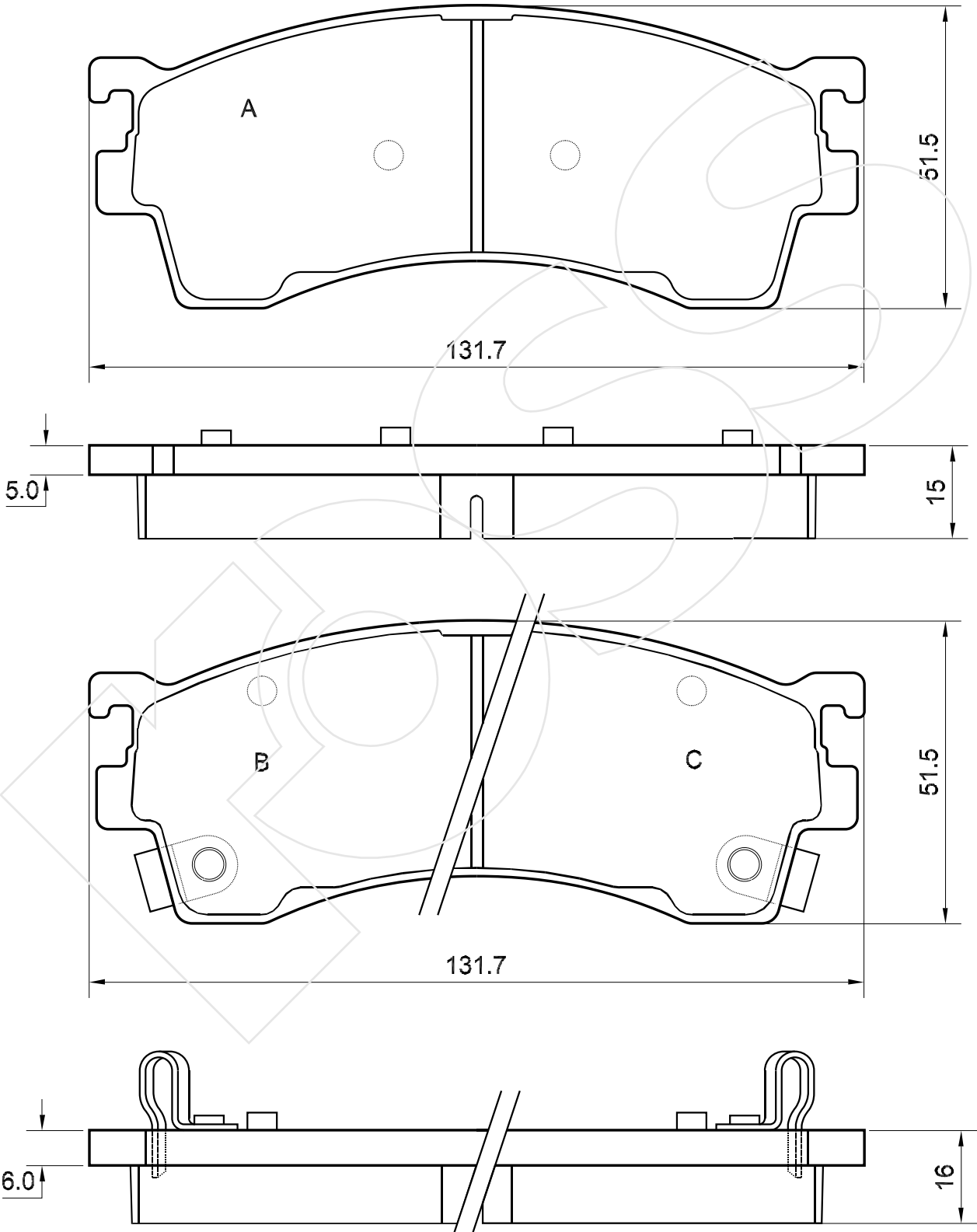
CODICE	IMPIANTO		ASSE	SCALA	APPLICAZIONI
<b>R-863</b>	LUCAS		ANTERIORE	100%	MERCEDES
CODICE COMPONENTI	N°	L(mm)	SERIE		
M0015	2	*	2 PEZZI TIPO A		
M0015+F3119	2+2	240	2 PEZZI TIPO B		
*	*	*			
*	*	*			
CODICE ACCESSORI	N°	L(mm)	NOTE		
*	*	*			
*	*	*			
*	*	*			
*	*	*			



Reference in this Catalogue to other manufactures and to part numbers and other descriptions are for identification purposes only, because the above DISC BRAKE PADS are NOT ORIGINAL but with these interchangeable.

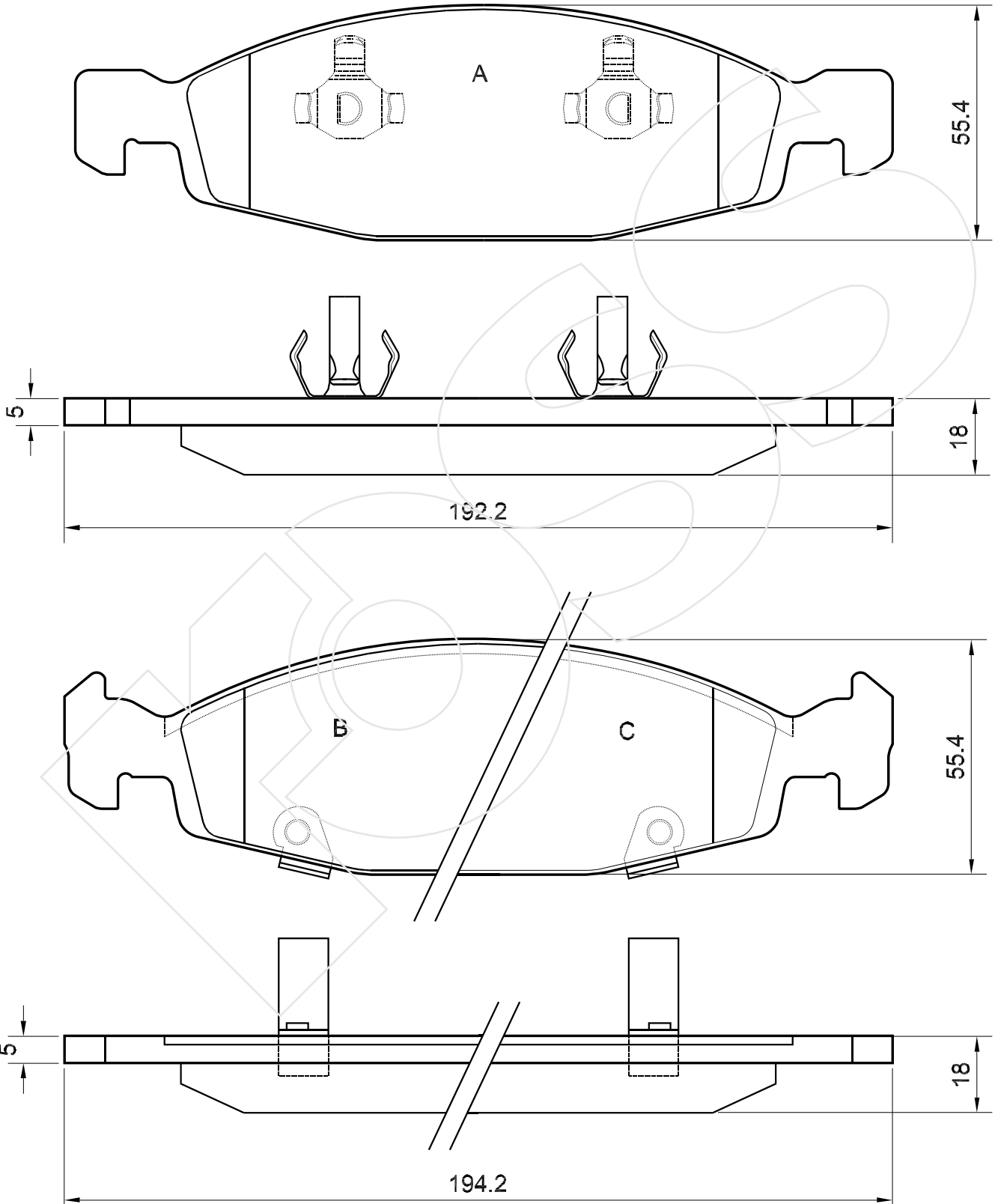


CODICE	IMPIANTO		ASSE	SCALA	APPLICAZIONI
<b>R-864</b>	SUMITOMO		ANTERIORE	100%	MAZDA
CODICE COMPONENTI	N°	L(mm)	SERIE		
*	*	*	2 PEZZI TIPO A		
M0199	1	*	1 PEZZO TIPO B		
M0199	1	*	1 PEZZO TIPO C		
*	*	*	*		
CODICE ACCESSORI	N°	L(mm)	NOTE		
*	*	*			
*	*	*			
*	*	*			
*	*	*			



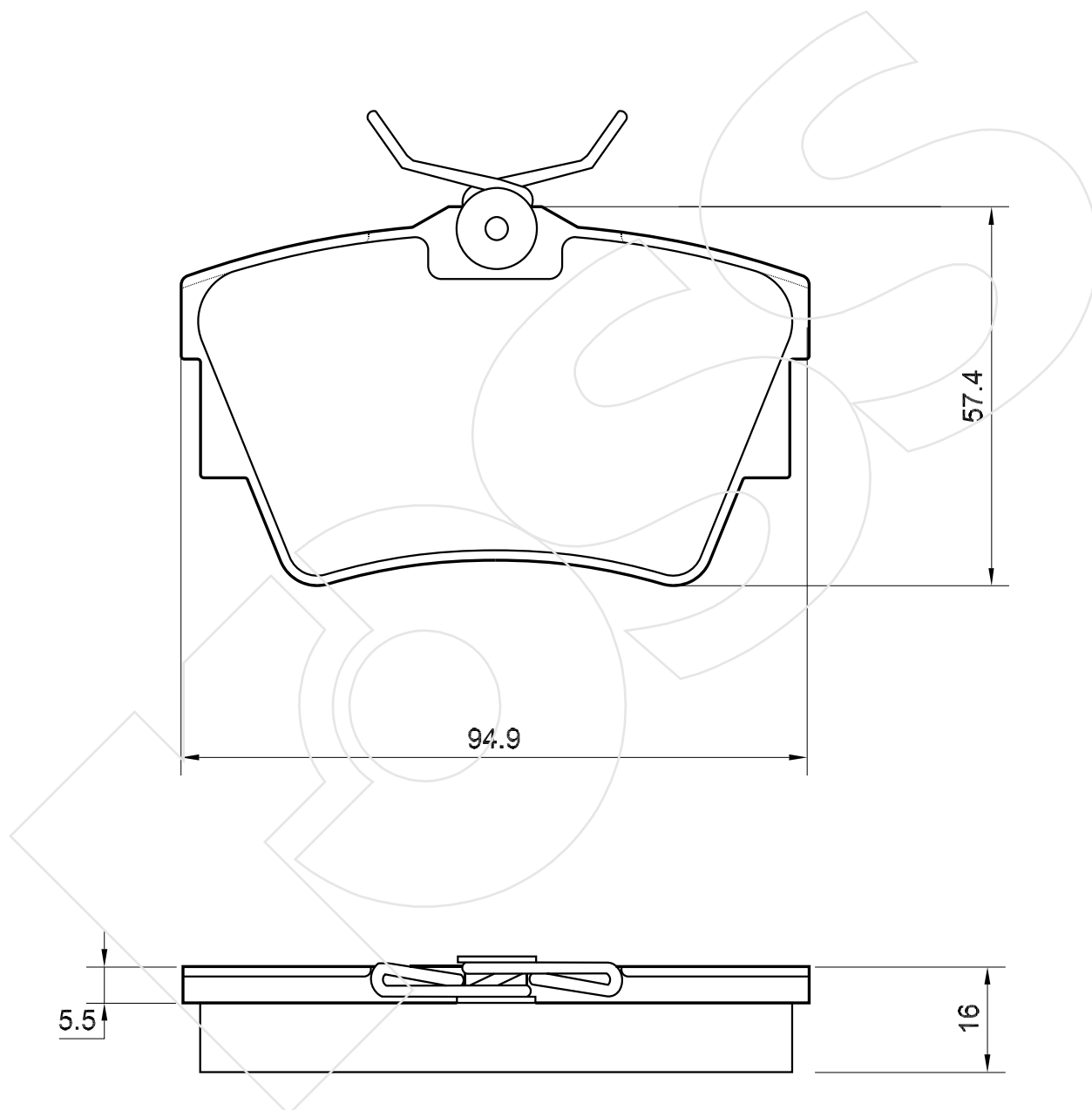
Reference in this Catalogue to other manufactures and to part numbers and other descriptions are for identification purposes only, because the above DISC BRAKE PADS are NOT ORIGINAL but with these interchangeable.

CODICE	IMPIANTO		ASSE	SCALA	APPLICAZIONI
<b>R-865</b>	KELSEY-HAYES		ANTERIORE	75%	GRAND CHEROKEE
CODICE COMPONENTI	N°	L(mm)	SERIE		
M0196	2	*	2 PEZZI TIPO A		
M0197	1	*	1 PEZZO TIPO B		
M0198	1	*	1 PEZZO TIPO C		
*	*	*	*		
CODICE ACCESSORI	N°	L(mm)	NOTE		
*	*	*			
*	*	*			
*	*	*			
*	*	*			



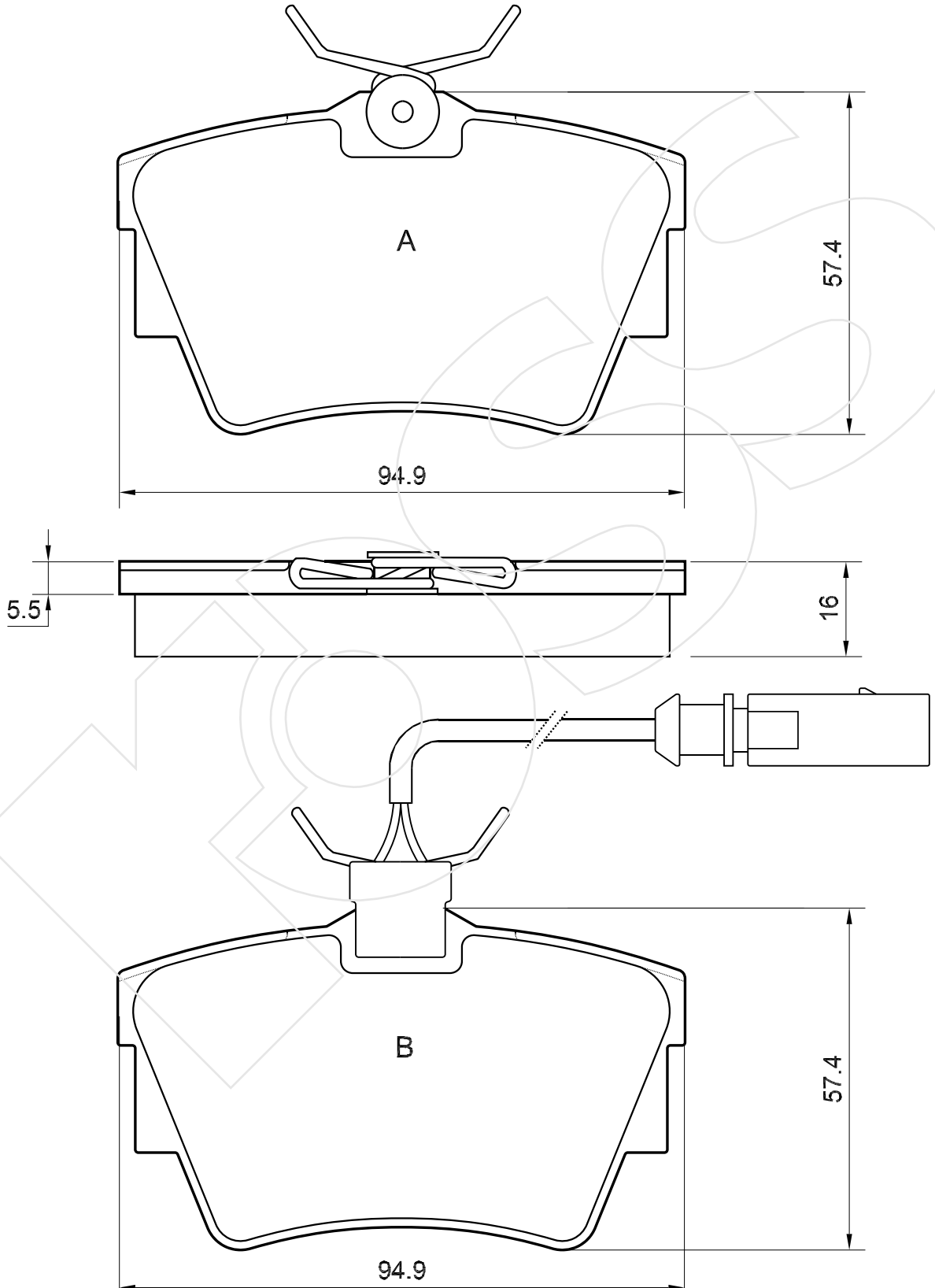
Reference in this Catalogue to other manufactures and to part numbers and other descriptions are for identification purposes only, because the above DISC BRAKE PADS are NOT ORIGINAL but with these interchangeable.

CODICE	IMPIANTO		ASSE	SCALA	APPLICAZIONI
<b>R-866</b>	LUCAS		POSTERIORE	100%	VOLKSWAGEN
CODICE COMPONENTI	N°	L(mm)	SERIE		
M0015	4	*	4 PEZZI		
*	*	*	*		
*	*	*	*		
*	*	*	*		
CODICE ACCESSORI	N°	L(mm)	NOTE		
*	*	*			
*	*	*			
*	*	*			
*	*	*			



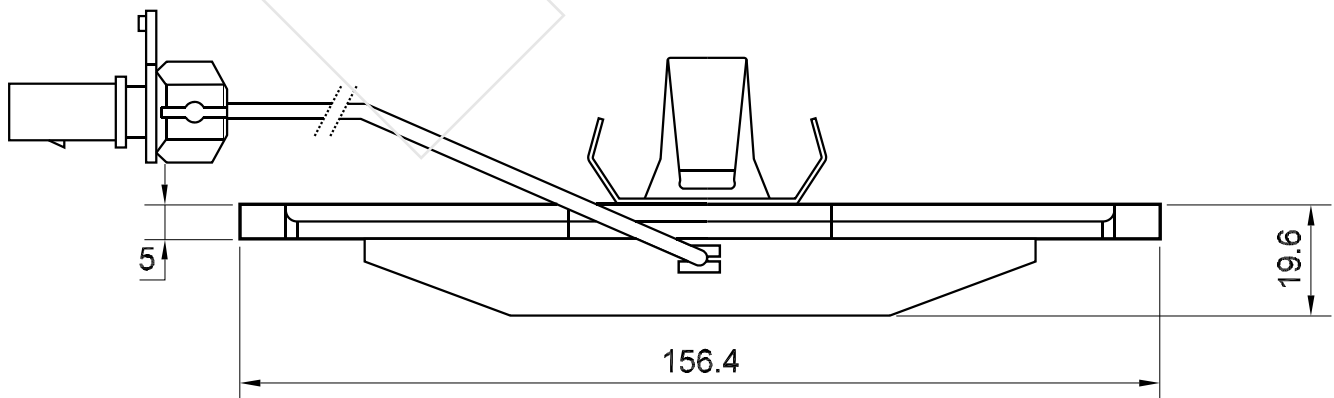
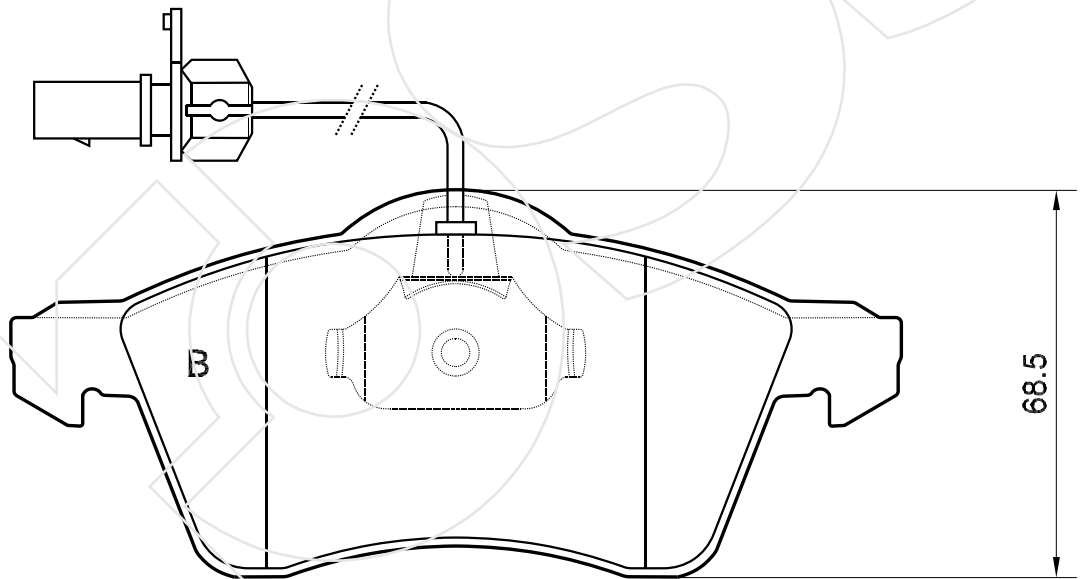
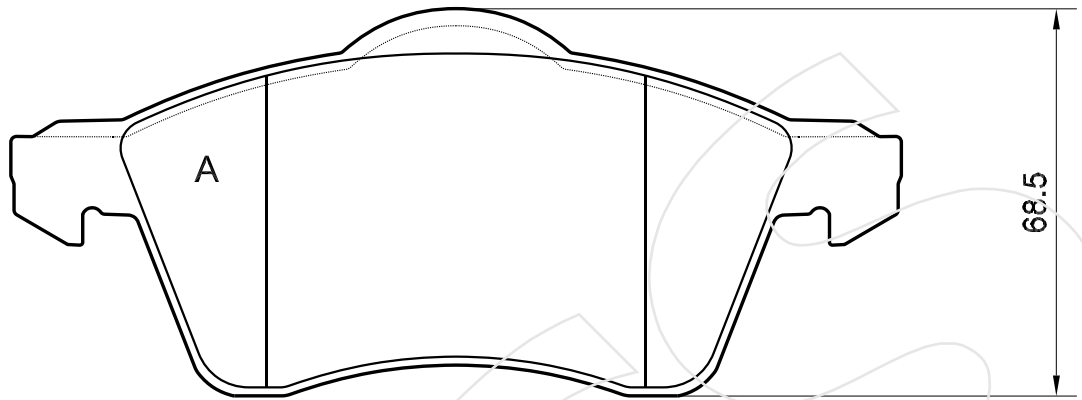
Reference in this Catalogue to other manufactures and to part numbers and other descriptions are for identification purposes only, because the above DISC BRAKE PADS are NOT ORIGINAL but with these interchangeable.

CODICE	IMPIANTO	ASSE	SCALA	APPLICAZIONI
<b>R-867</b>	LUCAS	POSTERIORE	100%	SEAT:
CODICE COMPONENTI	N°	L(mm)	SERIE	VOLKSWAGEN:
M0015	2	*	2 PEZZI TIPO A	
M0015+F3123	2+2	210	2 PEZZI TIPO B	
*	*	*		
*	*	*		
CODICE ACCESSORI	N°	L(mm)	NOTE	
*	*	*		
*	*	*		
*	*	*		
*	*	*		



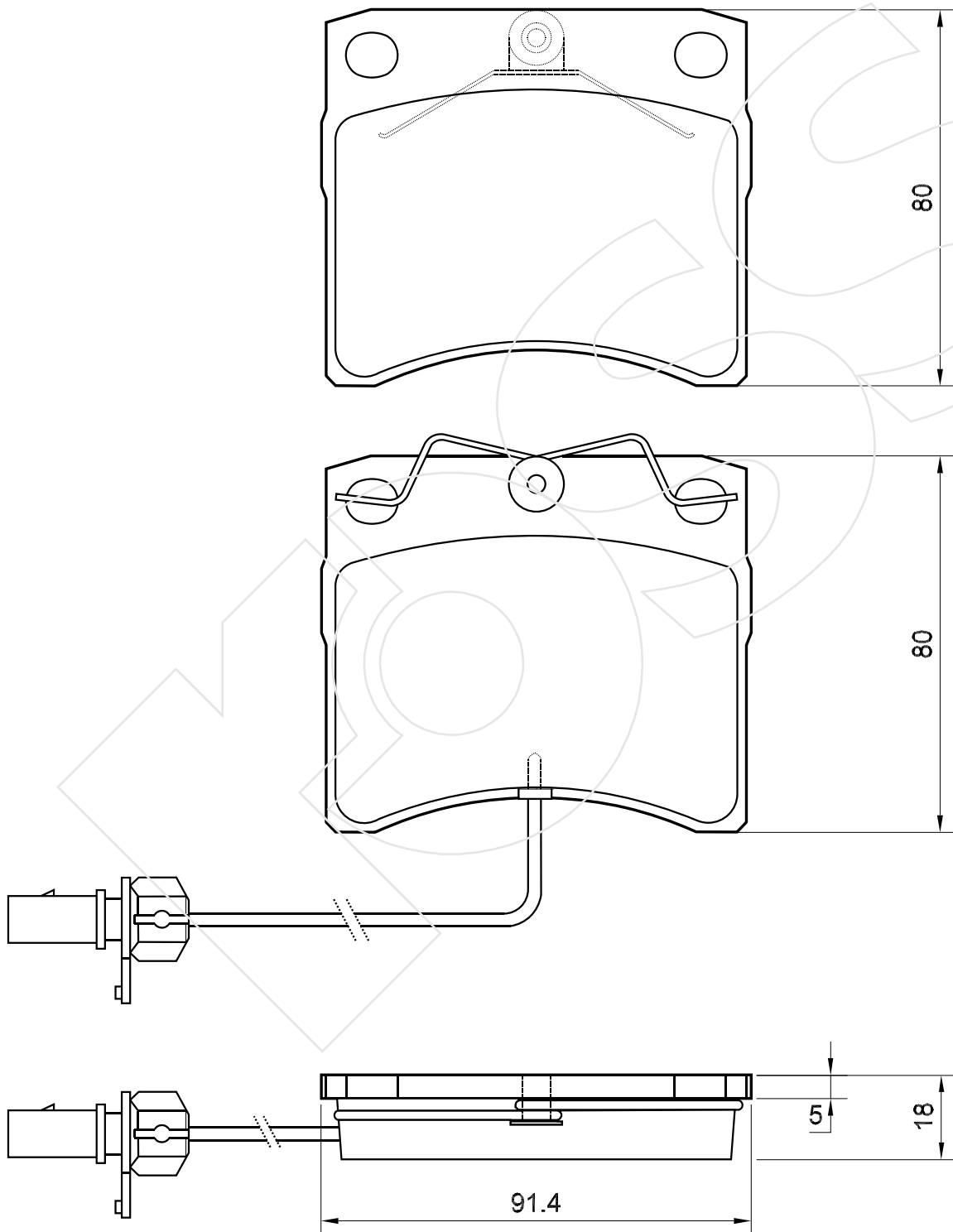
Reference in this Catalogue to other manufactures and to part numbers and other descriptions are for identification purposes only, because the above DISC BRAKE PADS are NOT ORIGINAL but with these interchangeable.

CODICE	IMPIANTO		ASSE	SCALA	APPLICAZIONI
<b>R-868</b>	ATE		POSTERIORE	75%	VW :
CODICE COMPONENTI	N°	L(mm)	SERIE		
*	*	*	2 PEZZI TIPO A		
M0132-F3044	2+2	210	2 PEZZI TIPO B		
*	*	*			
*	*	*			
CODICE ACCESSORI	N°	L(mm)	NOTE		
*	*	*			
*	*	*			
*	*	*			
*	*	*			



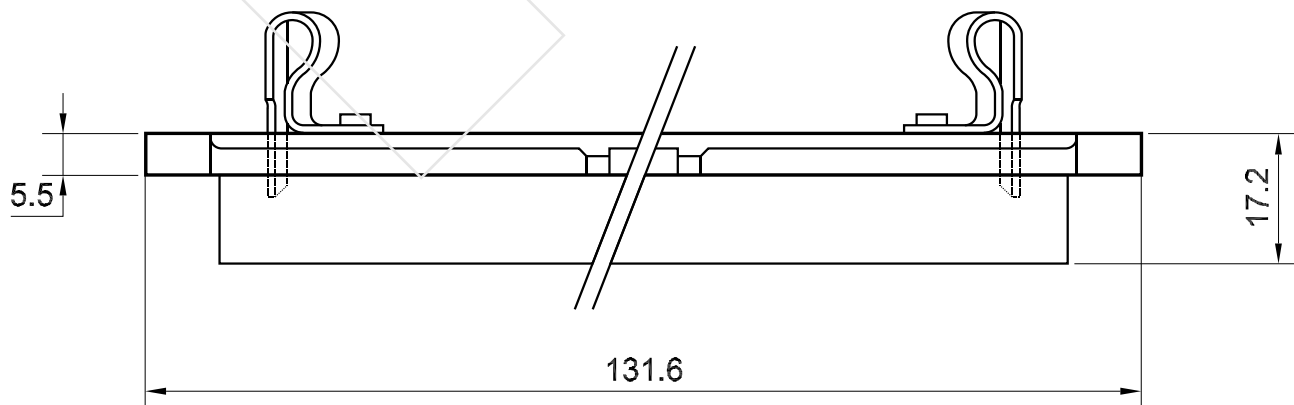
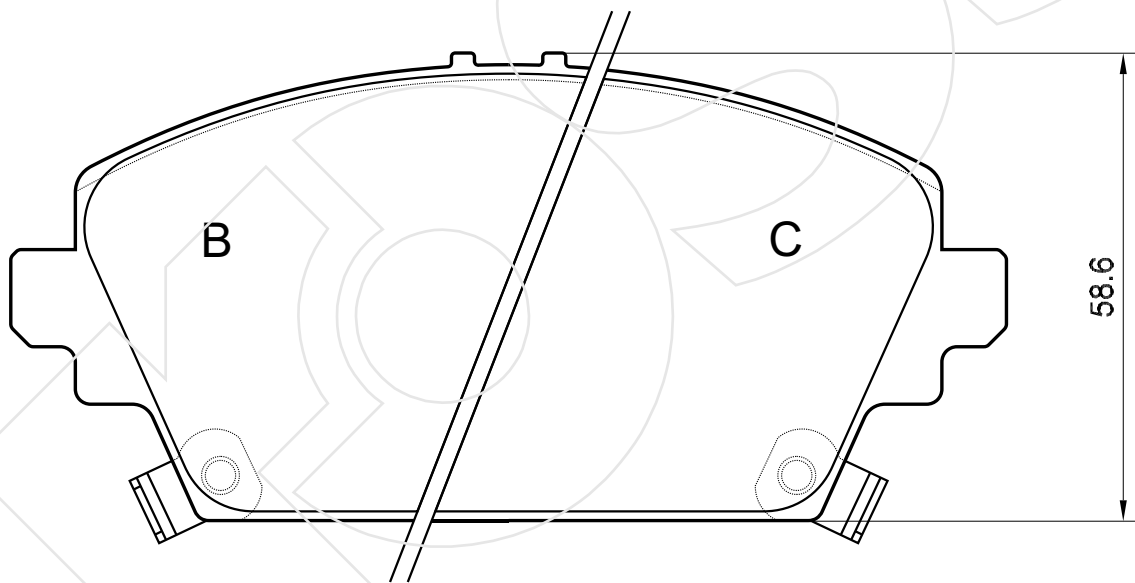
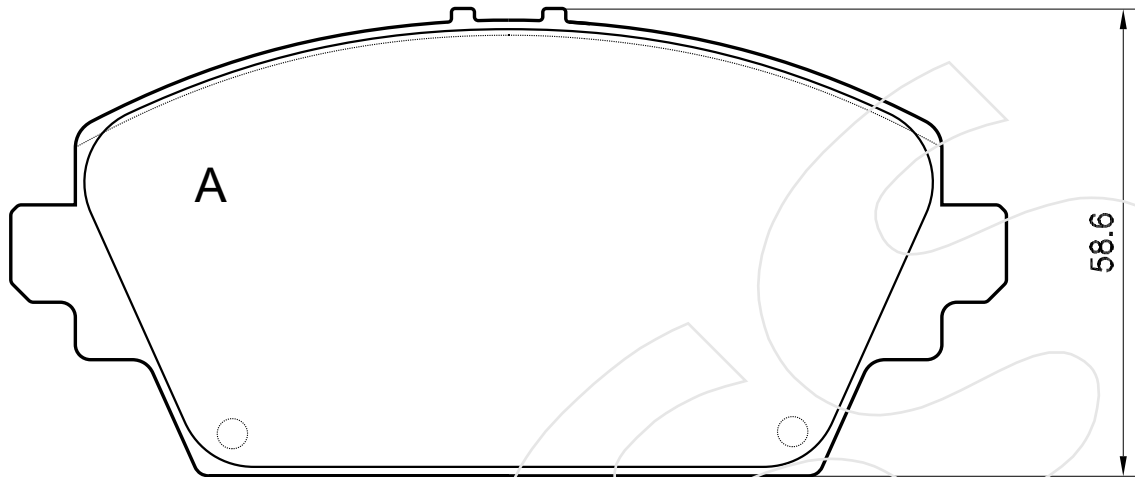
Reference in this Catalogue to other manufactures and to part numbers and other descriptions are for identification purposes only, because the above DISC BRAKE PADS are NOT ORIGINAL but with these interchangeable.

CODICE	IMPIANTO		ASSE	SCALA	APPLICAZIONI
<b>R-869</b>	LUCAS		ANTERIORE	75%	VW: EUROVAN '96
CODICE COMPONENTI	N°	L(mm)	SERIE		
M0100	2	*	2 PEZZI TIPO A		
F3044+M0147	2+2	215	2 PEZZI TIPO B		
*	*	*			
*	*	*			
CODICE ACCESSORI	N°	L(mm)	NOTE		
*	*	*			
*	*	*			
*	*	*			
*	*	*			



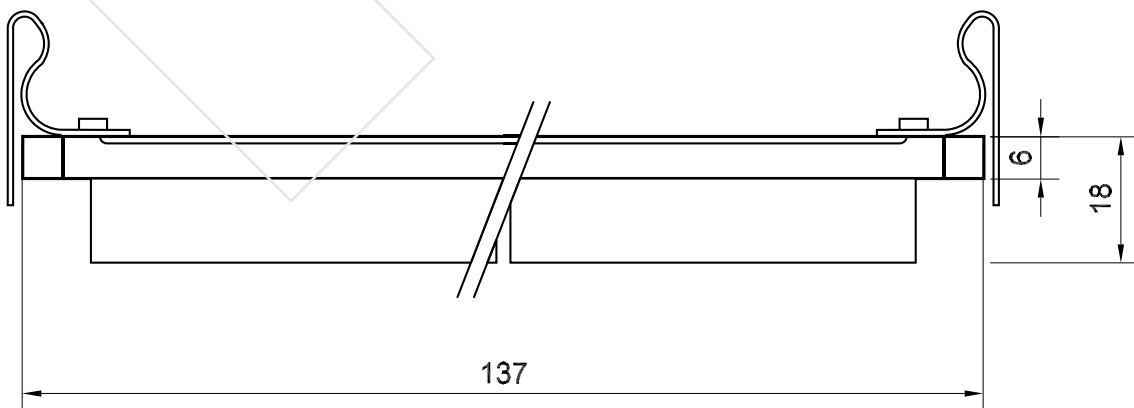
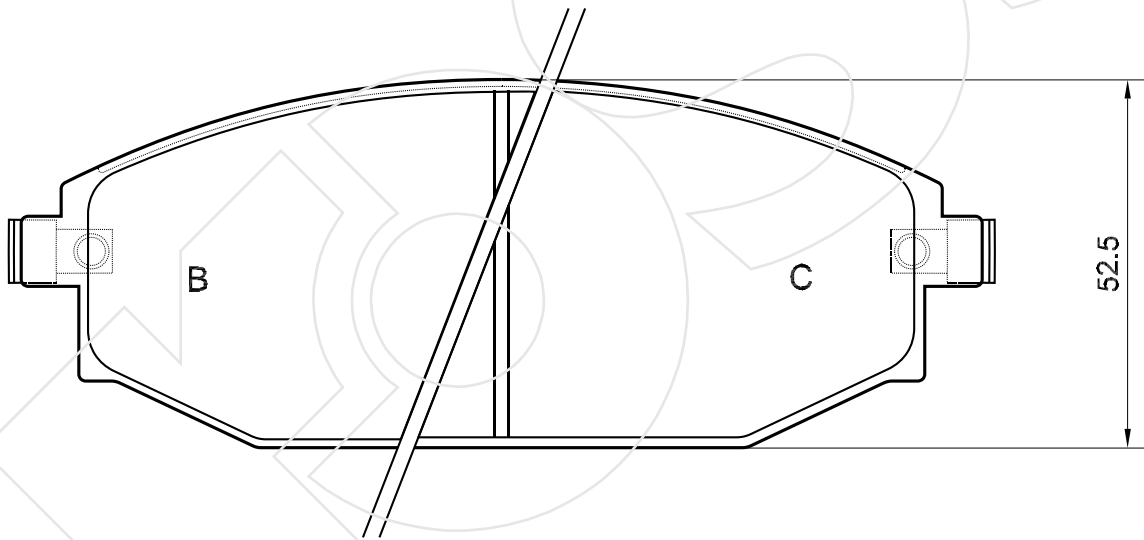
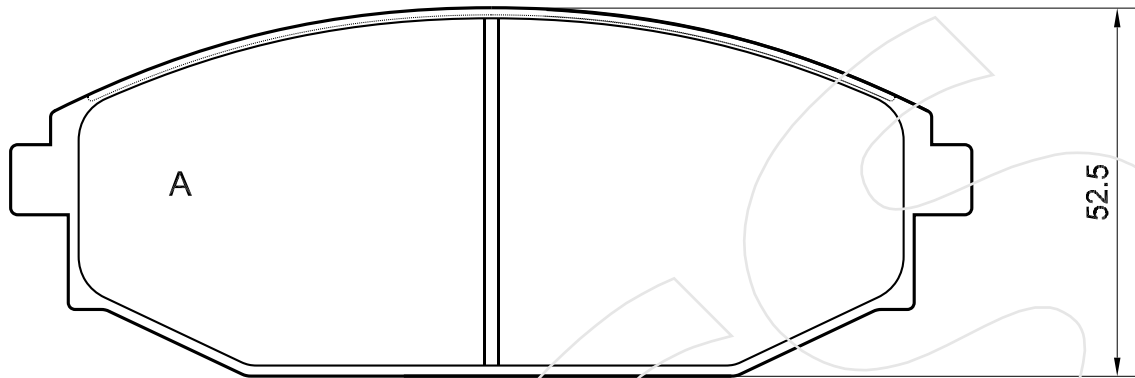
Reference in this Catalogue to other manufactures and to part numbers and other descriptions are for identification purposes only, because the above DISC BRAKE PADS are NOT ORIGINAL but with these interchangeable.

CODICE	IMPIANTO		ASSE	SCALA	APPLICAZIONI
<b>R-870</b>	GIRLING		ANTERIORE	100%	HONDA: ACCORD
CODICE COMPONENTI	N°	L(mm)	SERIE		
*	*	*	2 PEZZI TIPO A		
M0202	1	*	1 PEZZO TIPO B		
M0202	1	*	1 PEZZO TIPO C		
*	*	*			
CODICE ACCESSORI	N°	L(mm)	NOTE		
*	*	*			
*	*	*			
*	*	*			
*	*	*			



Reference in this Catalogue to other manufactures and to part numbers and other descriptions are for identification purposes only, because the above DISC BRAKE PADS are NOT ORIGINAL but with these interchangeable.

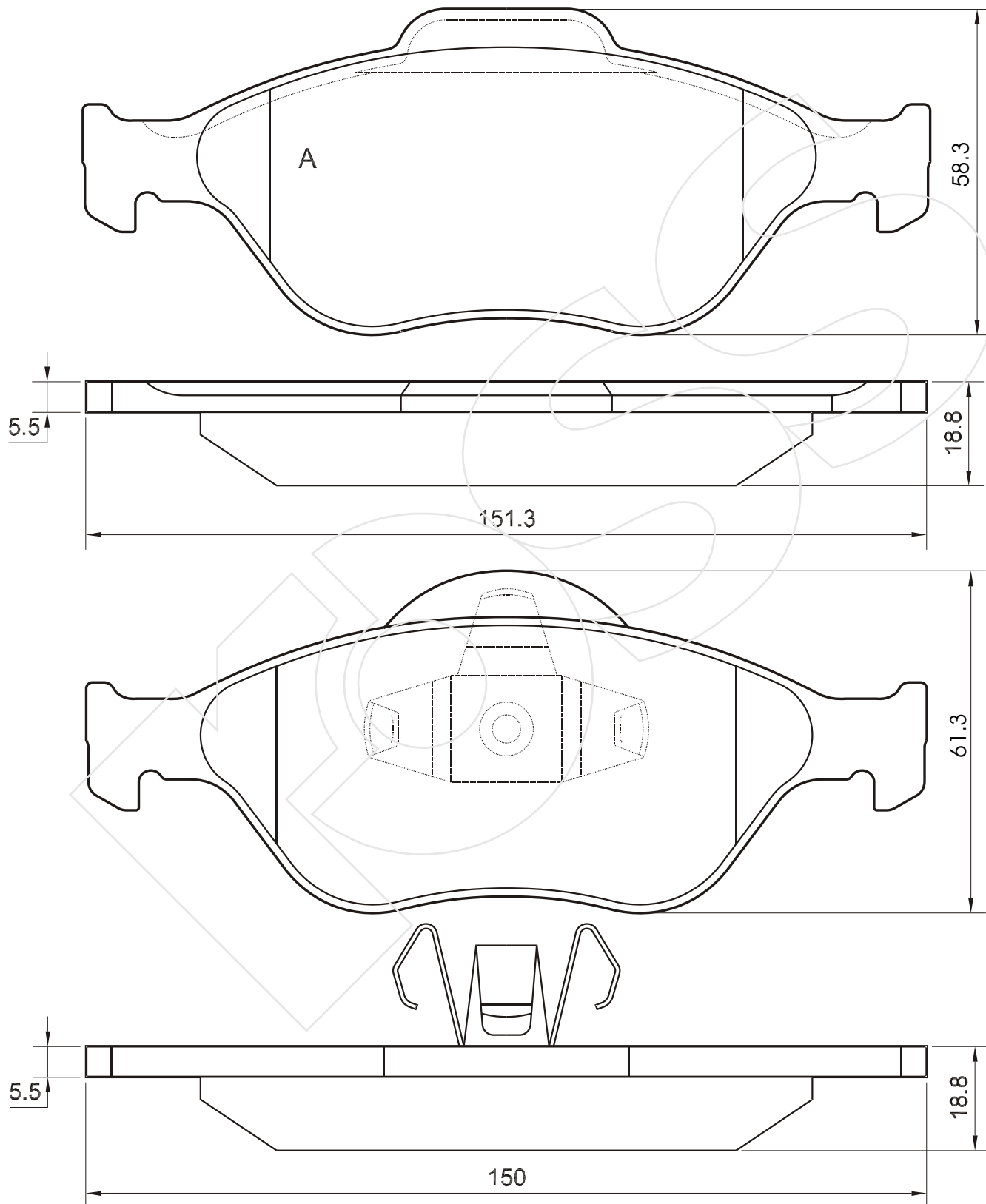
CODICE	IMPIANTO		ASSE	SCALA	APPLICAZIONI
<b>R-871</b>	SUMITOMO		ANTERIORE	100%	HYUNDAI: GALLOPER
CODICE COMPONENTI	N°	L(mm)	SERIE		
*	*	*	2 PEZZI TIPO A		
M0074	1	*	1 PEZZO TIPO B		
M0074	1	*	1 PEZZO TIPO C		
*	*	*	*		
CODICE ACCESSORI	N°	L(mm)	NOTE		
*	*	*			
*	*	*			
*	*	*			
*	*	*			



Reference in this Catalogue to other manufactures and to part numbers and other descriptions are for identification purposes only, because the above DISC BRAKE PADS are NOT ORIGINAL but with these interchangeable.

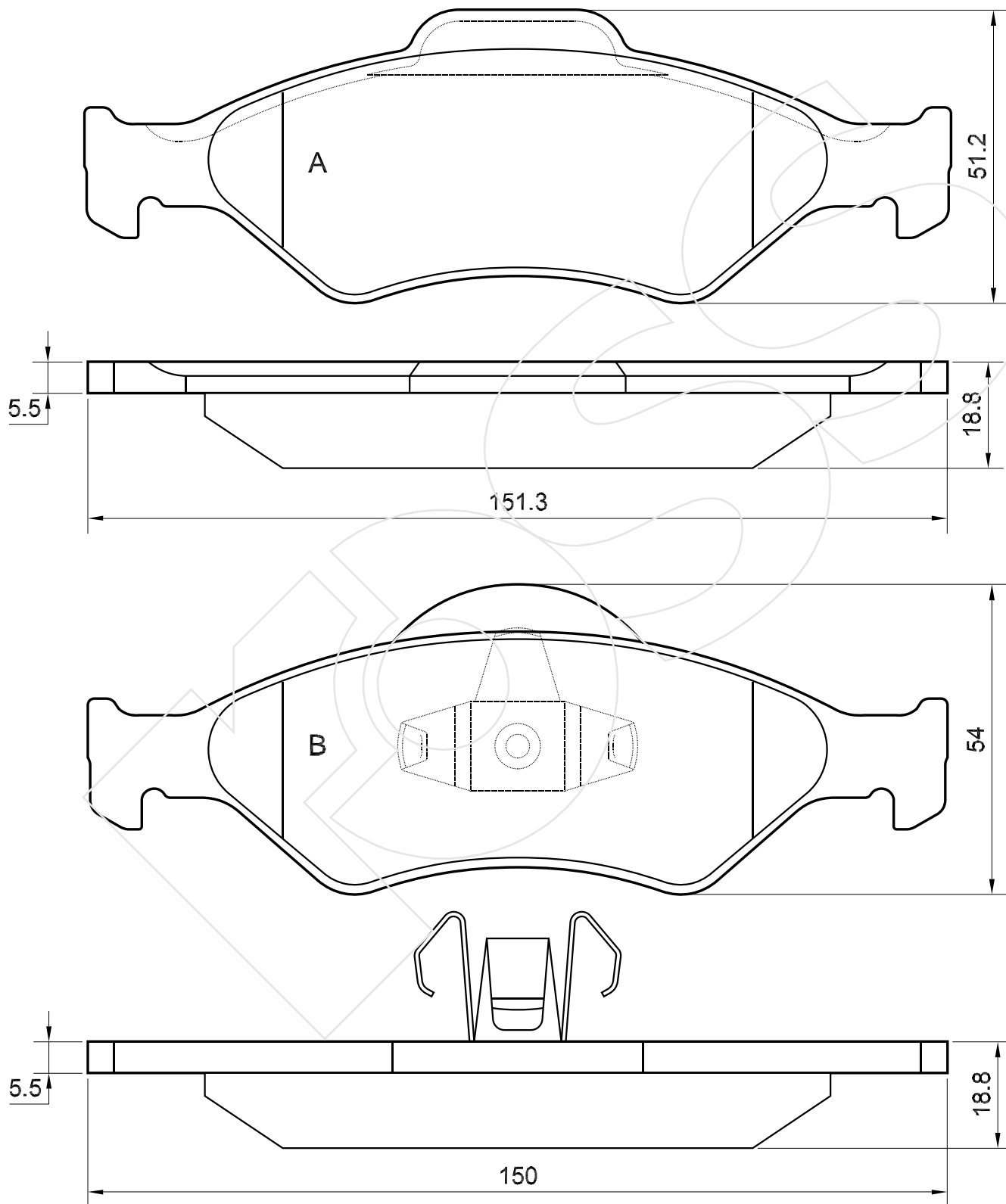


CODICE	IMPIANTO		ASSE	SCALA	APPLICAZIONI
<b>R-872</b>	ATE		ANTERIORE	100%	FORD FIESTA
CODICE COMPONENTI	N°	L(mm)	SERIE		
*	*	*	2 PEZZI TIPO A		
M0168	2	*	2 PEZZI TIPO B		
*	*	*	*		
*	*	*	*		
CODICE ACCESSORI	N°	L(mm)	NOTE		
*	*	*			
*	*	*			
*	*	*			
*	*	*			



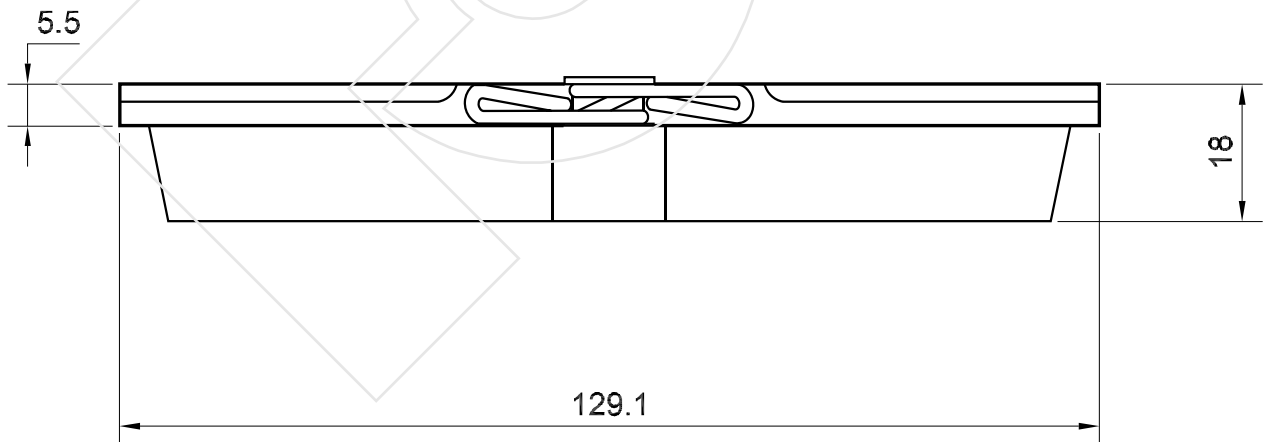
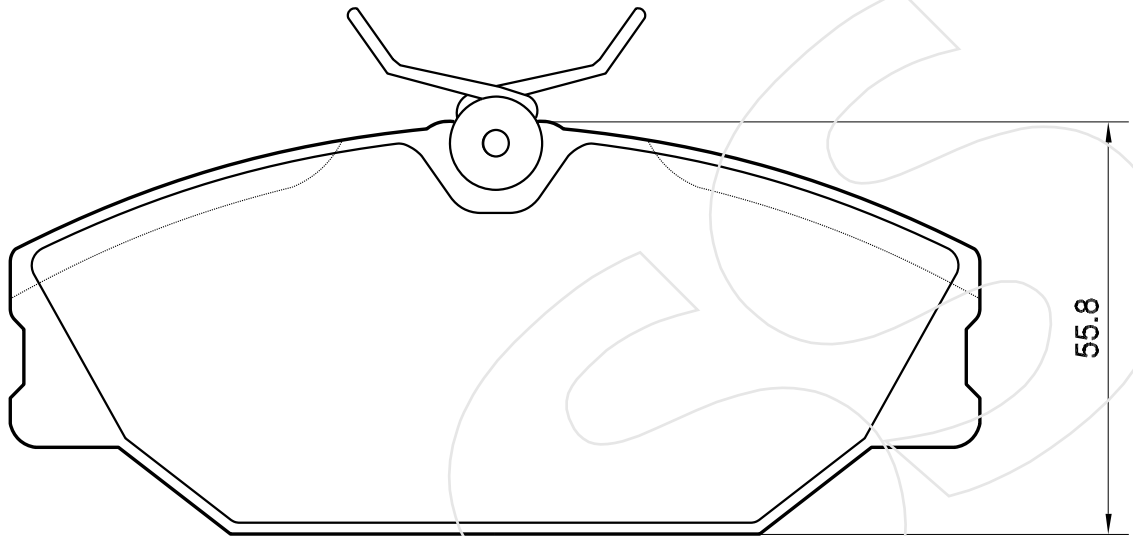
Reference in this Catalogue to other manufactures and to part numbers and other descriptions are for identification purposes only, because the above DISC BRAKE PADS are NOT ORIGINAL but with these interchangeable.

CODICE	IMPIANTO		ASSE	SCALA	APPLICAZIONI
<b>R-873</b>	*		ANTERIORE	100%	FORD FIESTA
CODICE COMPONENTI	N°	L(mm)	SERIE		
*	*	*	2 PEZZI TIPO A		
M0200	2	*	2 PEZZI TIPO B		
*	*	*	*		
*	*	*	*		
CODICE ACCESSORI	N°	L(mm)	NOTE		
*	*	*			
*	*	*			
*	*	*			
*	*	*			



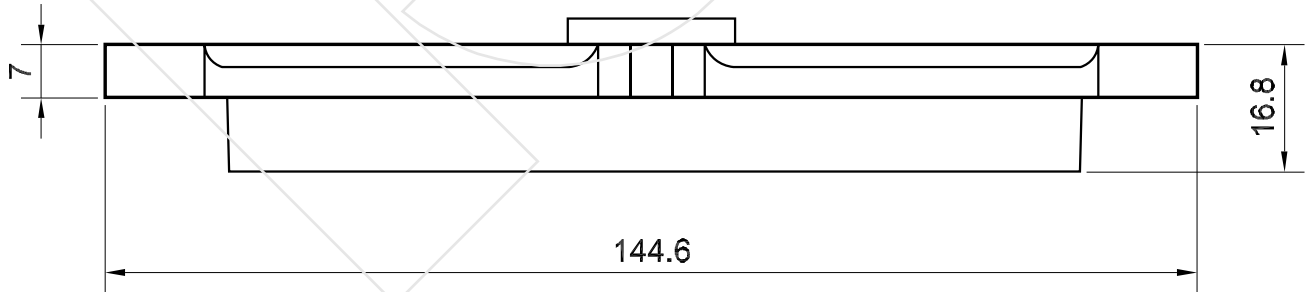
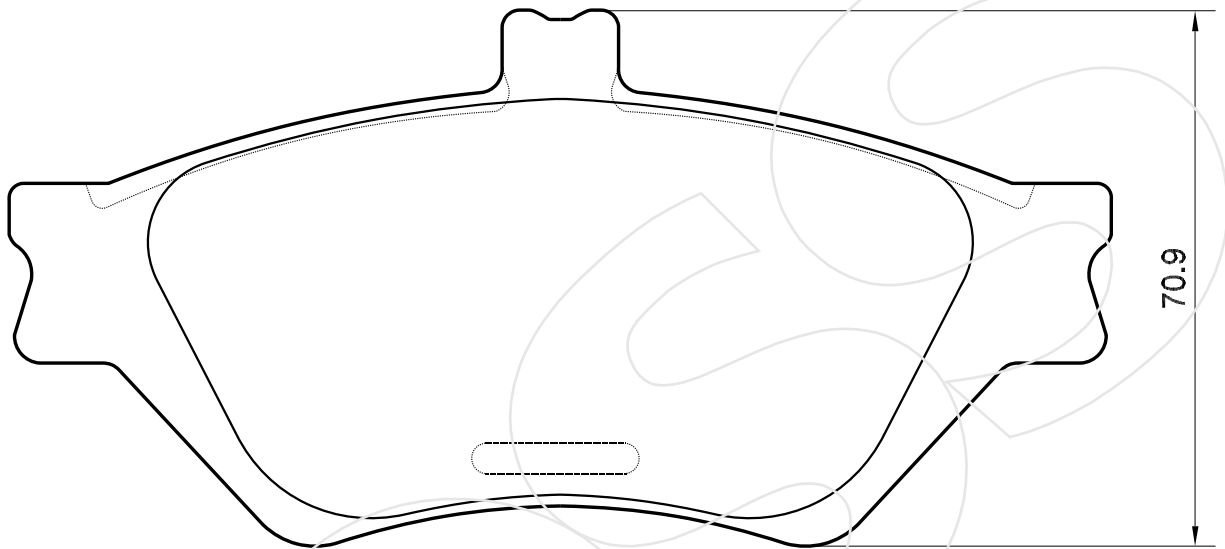
Reference in this Catalogue to other manufactures and to part numbers and other descriptions are for identification purposes only, because the above DISC BRAKE PADS are NOT ORIGINAL but with these interchangeable.

CODICE	IMPIANTO		ASSE	SCALA	APPLICAZIONI
<b>R-874</b>	LUCAS		ANTERIORE	100%	RENAULT
CODICE COMPONENTI	N°	L(mm)	SERIE		
M0015+P1004	4+4	*	4 PEZZI		
*	*	*	*		
*	*	*	*		
*	*	*	*		
CODICE ACCESSORI	N°	L(mm)	NOTE		
*	*	*			
*	*	*			
*	*	*			
*	*	*			



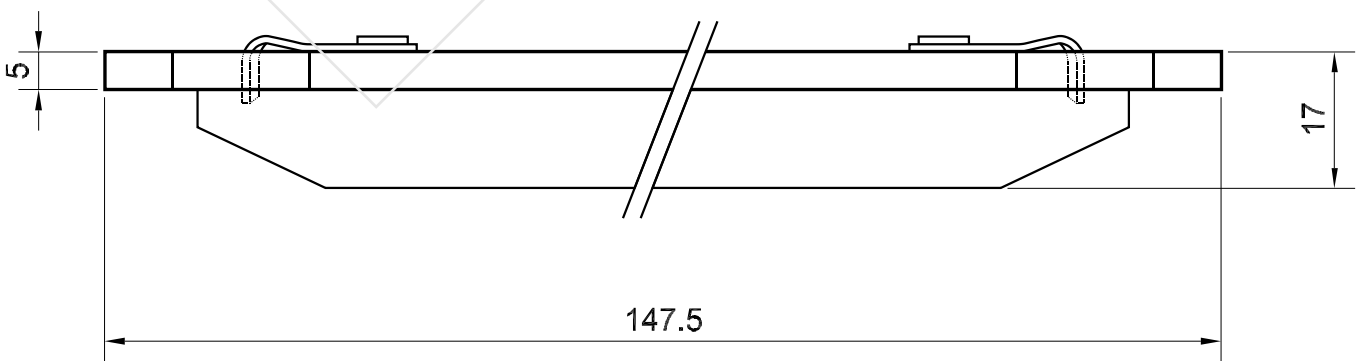
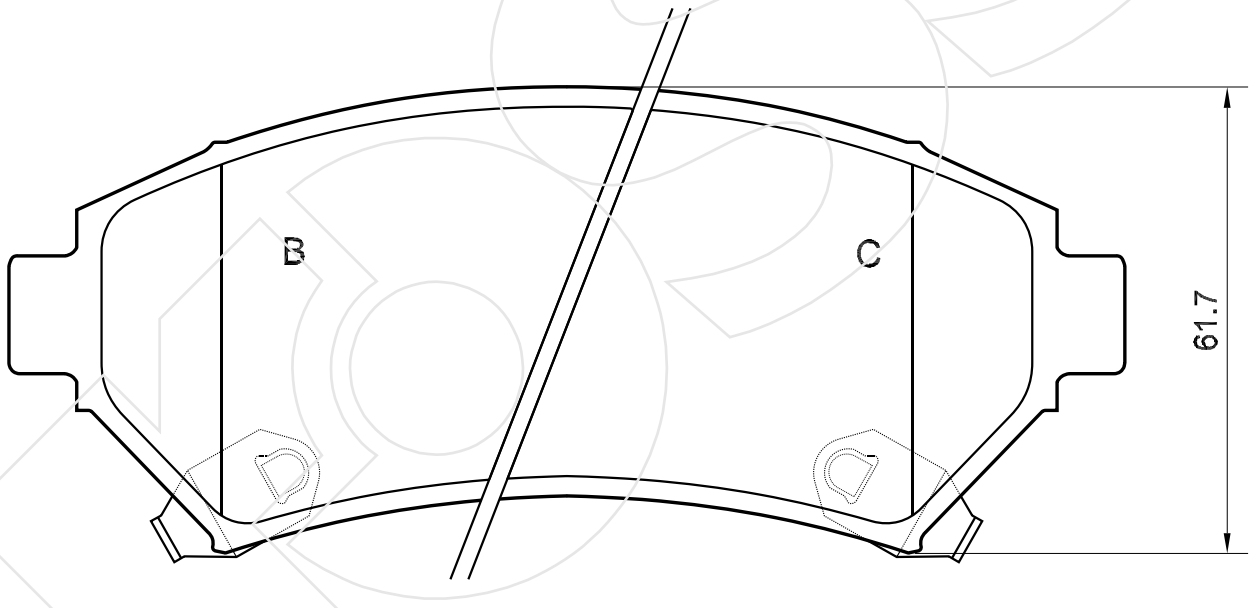
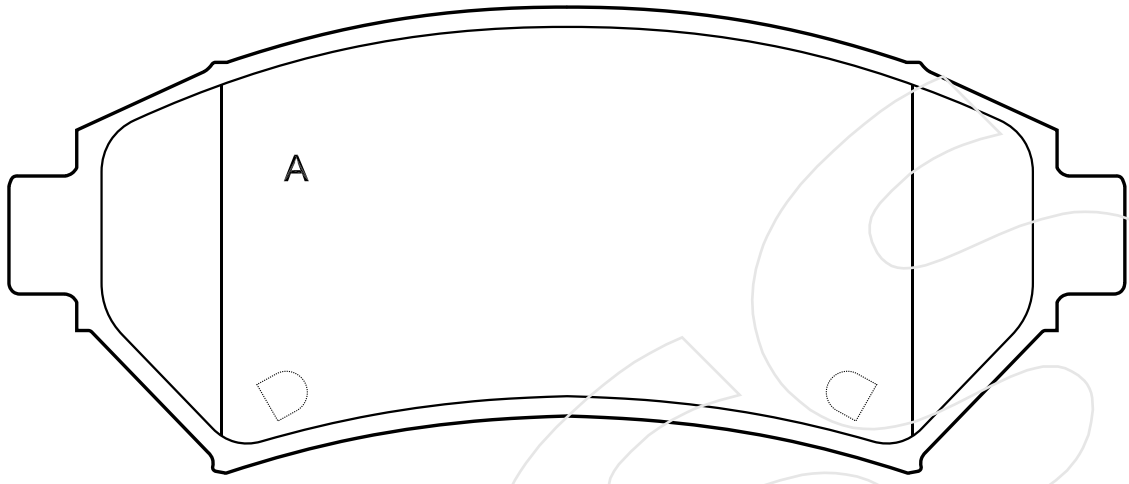
Reference in this Catalogue to other manufactures and to part numbers and other descriptions are for identification purposes only, because the above DISC BRAKE PADS are NOT ORIGINAL but with these interchangeable.

CODICE	IMPIANTO		ASSE	SCALA	APPLICAZIONI
<b>R-875</b>	BENDIX		ANTERIORE	100%	FORD LINCOLN MERCURY
CODICE COMPONENTI	N°	L(mm)	SERIE		
*	*	*	4 PEZZI		
*	*	*			
*	*	*			
*	*	*			
CODICE ACCESSORI	N°	L(mm)	NOTE		
*	*	*			
*	*	*			
*	*	*			



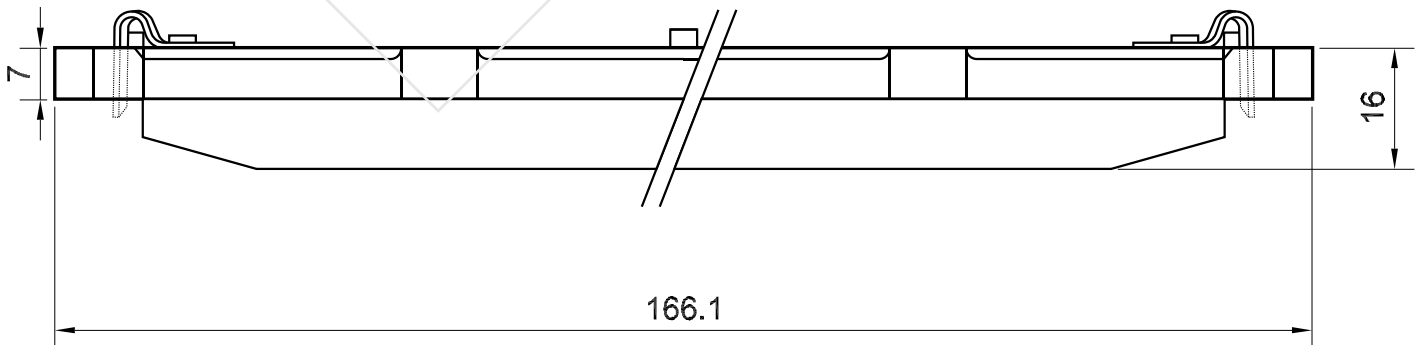
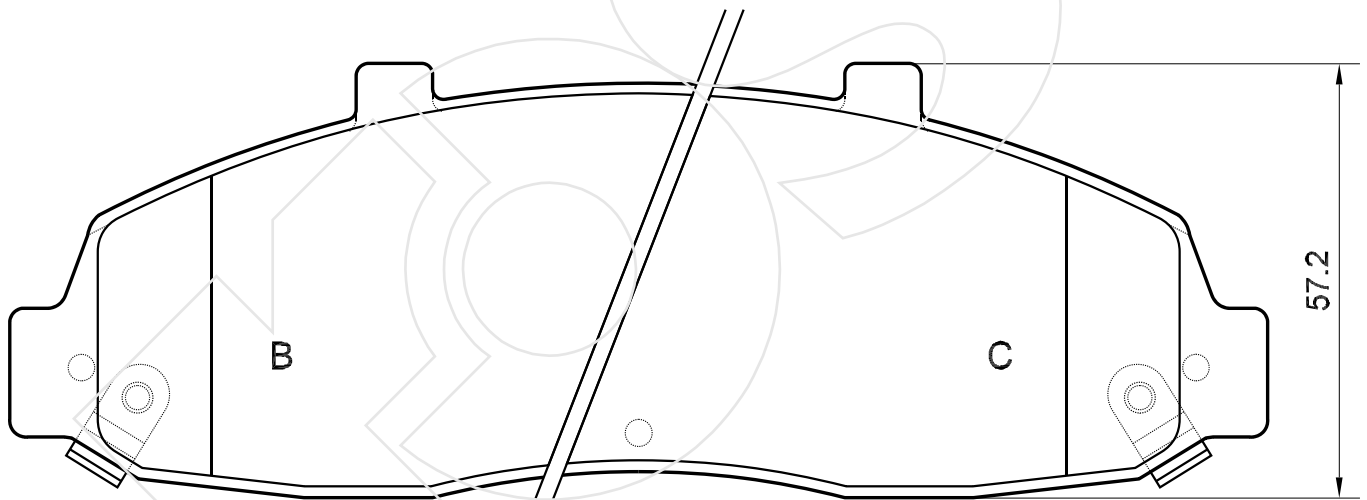
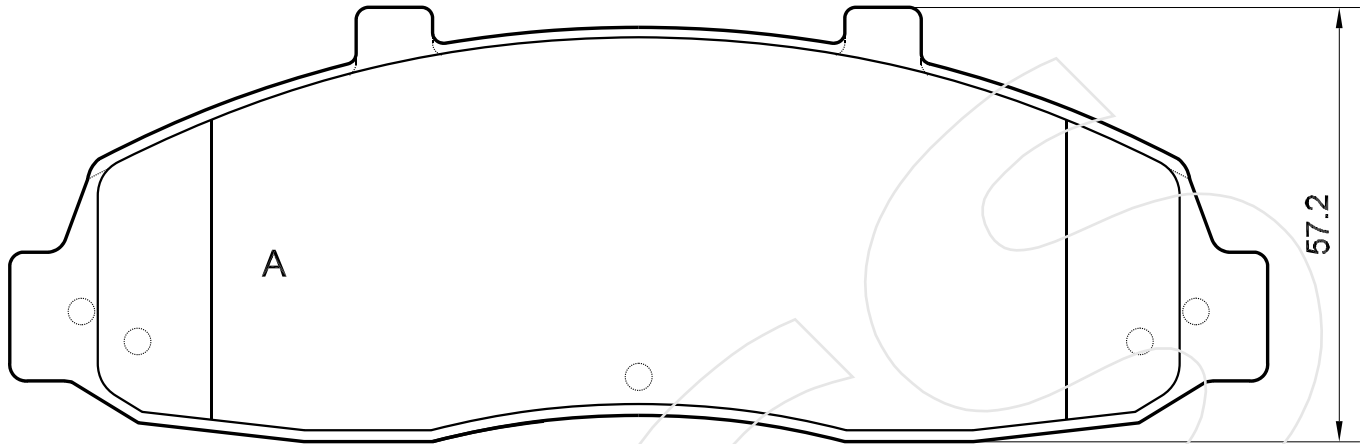
Reference in this Catalogue to other manufactures and to part numbers and other descriptions are for identification purposes only, because the above DISC BRAKE PADS are NOT ORIGINAL but with these interchangeable.

CODICE	IMPIANTO		ASSE	SCALA	APPLICAZIONI
<b>R-876</b>	WAGNER		ANTERIORE	100%	OPEL BUICK CADILLAC CHEVROLET OLDSMOBILE
CODICE COMPONENTI	N°	L(mm)	SERIE		
*	*	*	2 PEZZI TIPO A		
M0205	1	*	1 PEZZ TIPO B		
M0205	1	*	1 PEZZO TIPO C		
*	*	*	*		
CODICE ACCESSORI	N°	L(mm)	NOTE		
*	*	*			
*	*	*			
*	*	*			
*	*	*			



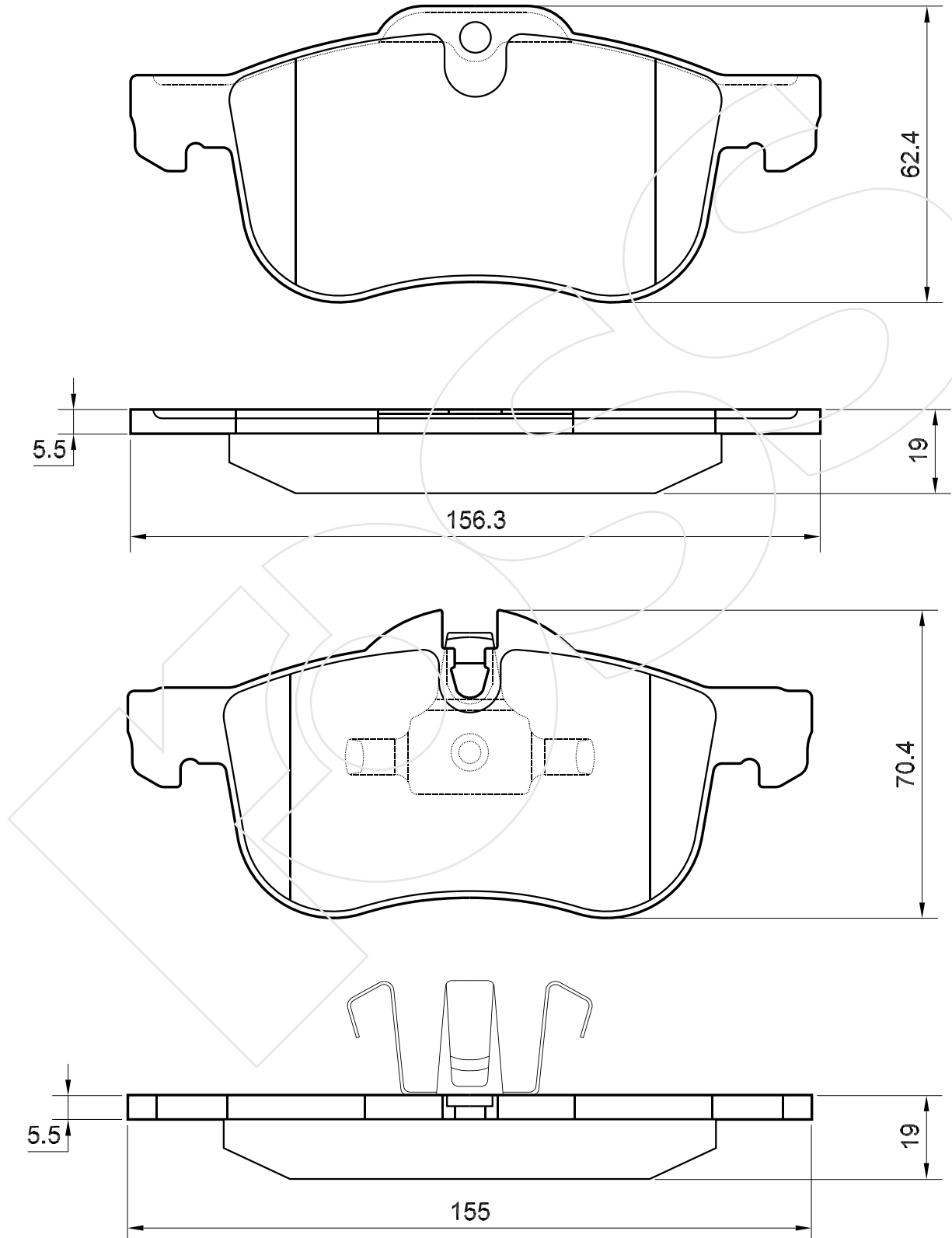
Reference in this Catalogue to other manufactures and to part numbers and other descriptions are for identification purposes only, because the above DISC BRAKE PADS are NOT ORIGINAL but with these interchangeable.

CODICE	IMPIANTO	ASSE	SCALA	APPLICAZIONI
<b>R-877</b>	*	ANTERIORE	100%	FORD TRUCK
CODICE COMPONENTI	N°	L(mm)	SERIE	
*	*	*	2 PEZZI TIPO A	
M0206	1	*	1 PEZZO TIPO B	
M0206	1	*	1 PEZZO TIPO C	
*	*	*	*	
CODICE ACCESSORI	N°	L(mm)	NOTE	
*	*	*		
*	*	*		
*	*	*		
*	*	*		



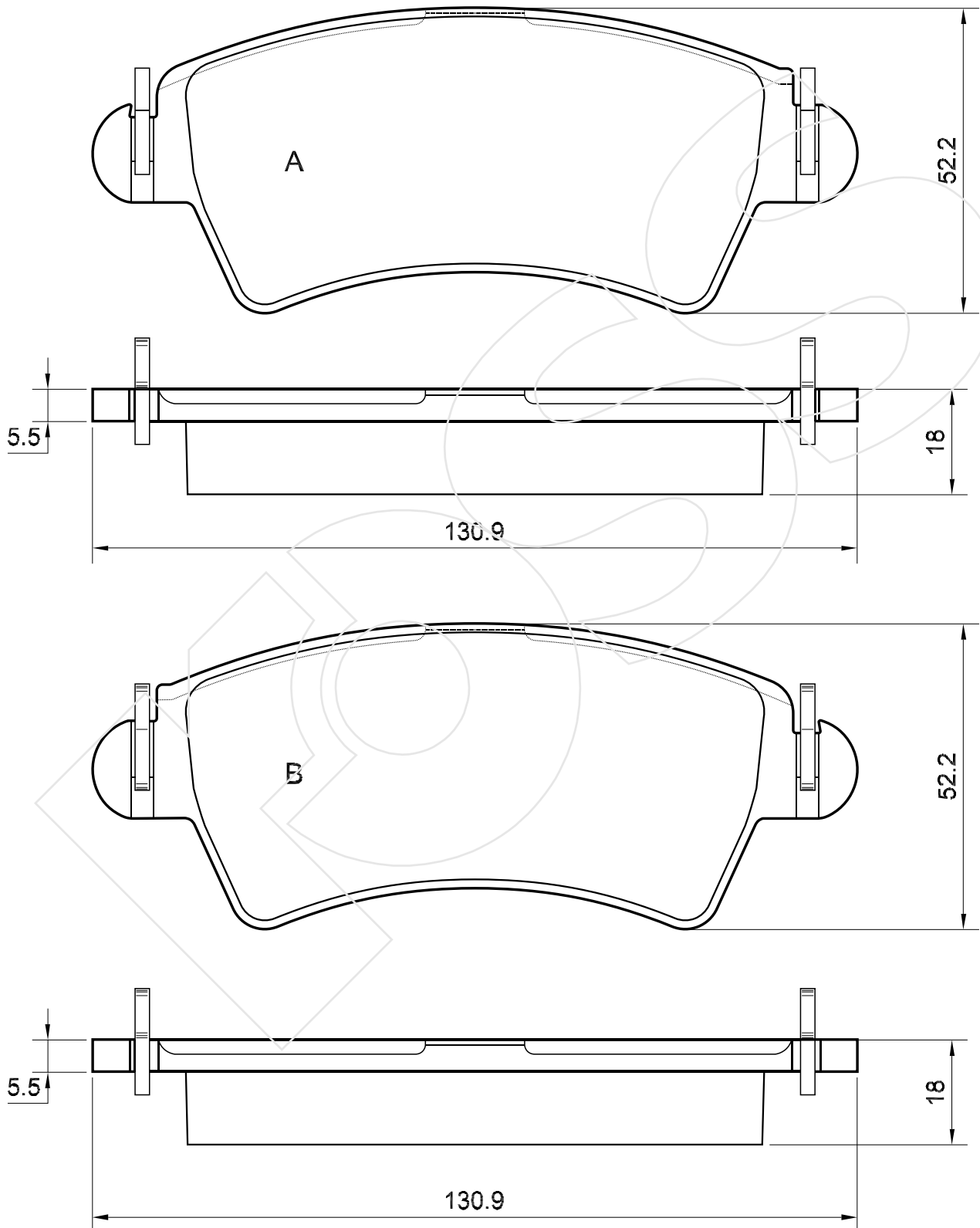
Reference in this Catalogue to other manufactures and to part numbers and other descriptions are for identification purposes only, because the above DISC BRAKE PADS are NOT ORIGINAL but with these interchangeable.

CODICE	IMPIANTO	ASSE	SCALA	APPLICAZIONI
<b>R-878</b>	ATE	ANTERIORE	75%	ROVER
CODICE COMPONENTI	N°	L(mm)	SERIE	
*	*	*	2 PEZZI TIPO A	
M0203	2	*	2 PEZZI TIPO B	
*	*	*	*	
*	*	*	*	
OPTIONAL	N°	L(mm)	NOTE	
A026	2	*		
A027	2	*		
*	*	*		
*	*	*		



Reference in this Catalogue to other manufactures and to part numbers and other descriptions are for identification purposes only, because the above DISC BRAKE PADS are NOT ORIGINAL but with these interchangeable.

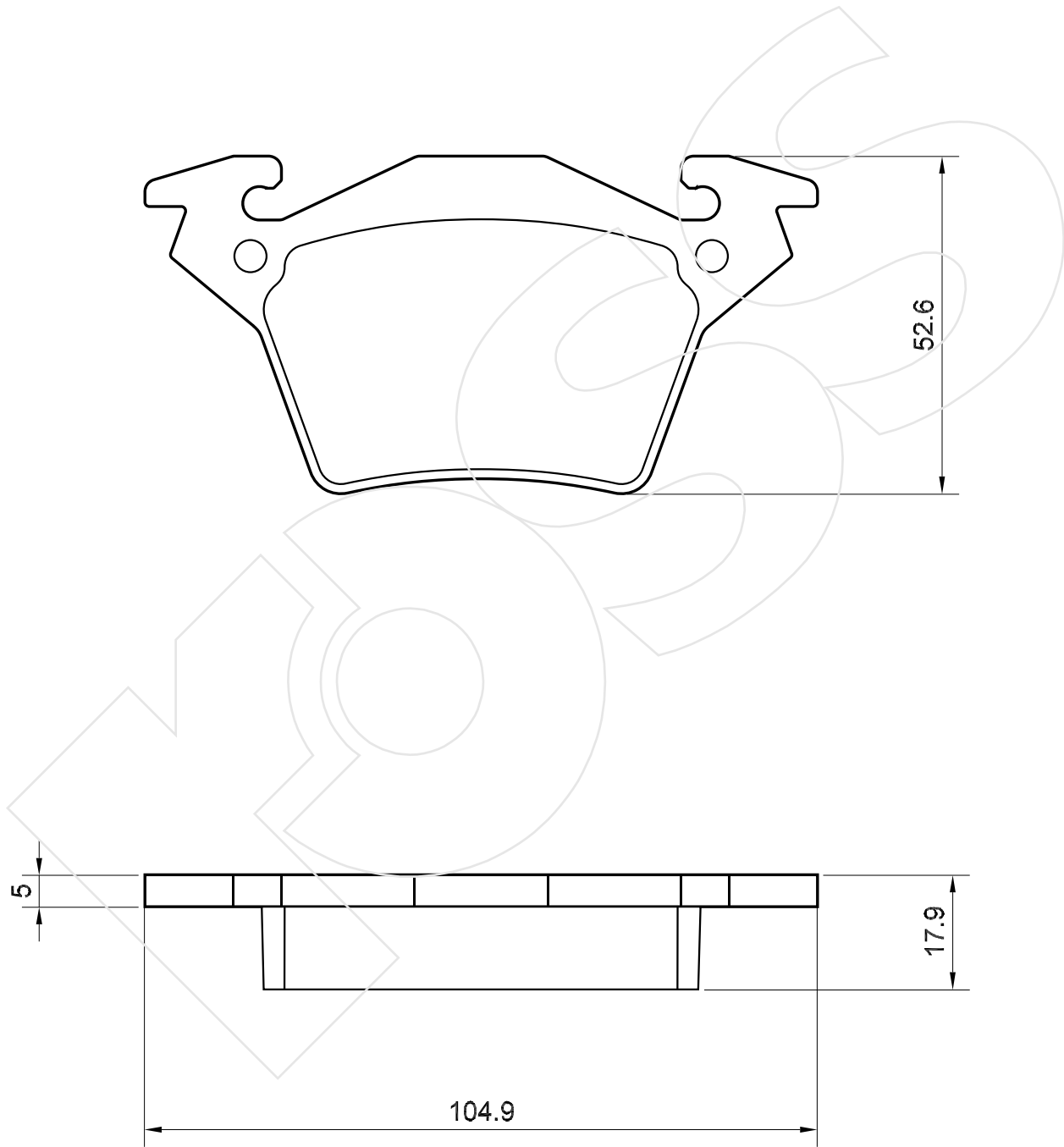
CODICE	IMPIANTO	ASSE	SCALA	APPLICAZIONI
<b>R-879</b>	BOSCH	ANTERIORE	100%	CITROEN PEUGEOT
CODICE COMPONENTI	N°	L(mm)	SERIE	
M0180	4	*	2 PEZZI TIPO A	
M0180	4	*	2 PEZZI TIPO B	
*	*	*	*	
*	*	*	*	
CODICE ACCESSORI	N°	L(mm)	NOTE	
*	*	*		
*	*	*		
*	*	*		
*	*	*		



Reference in this Catalogue to other manufactures and to part numbers and other descriptions are for identification purposes only, because the above DISC BRAKE PADS are NOT ORIGINAL but with these interchangeable.

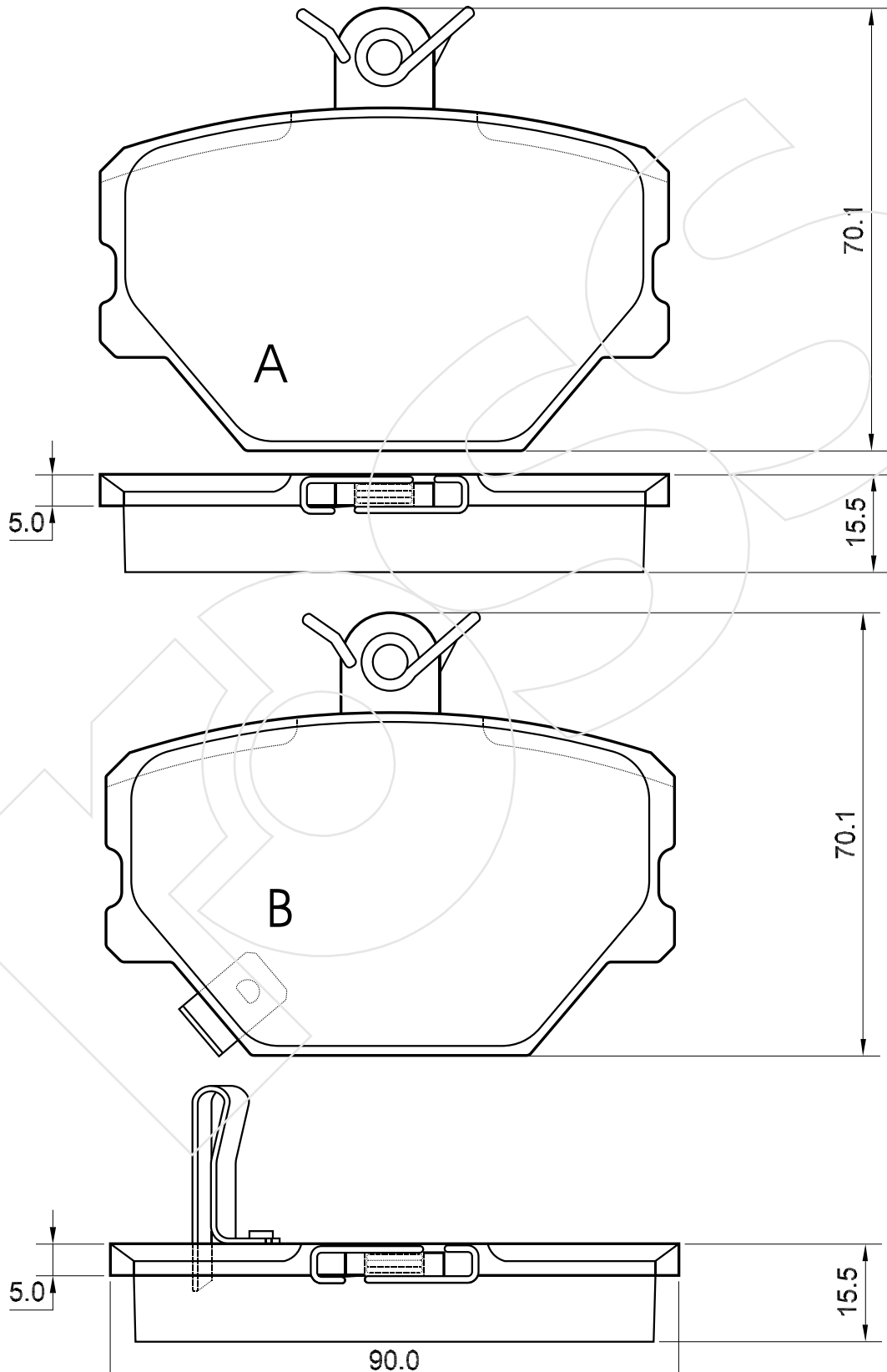


CODICE	IMPIANTO		ASSE	SCALA	APPLICAZIONI
<b>R-880</b>	BOSCH		POSTERIORE	100%	MERCEDES
CODICE COMPONENTI	N°	L(mm)	SERIE		
*	*	*	4 PEZZI		
*	*	*	*		
*	*	*	*		
*	*	*	*		
CODICE ACCESSORI	N°	L(mm)	NOTE		
*	*	*			
*	*	*			
*	*	*			
*	*	*			



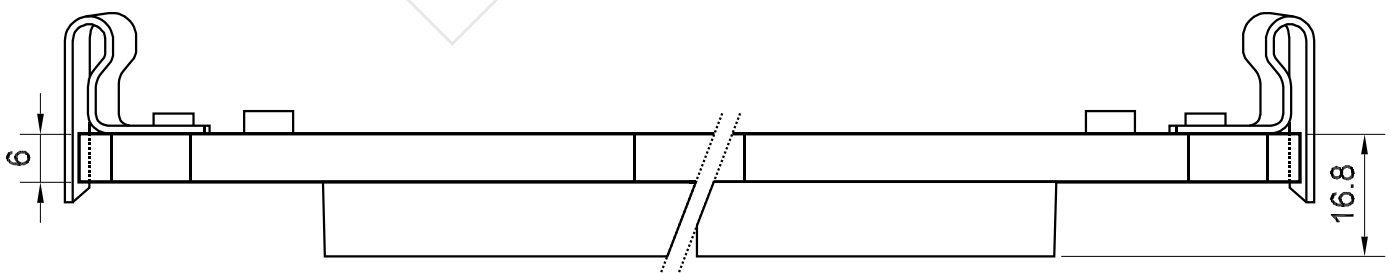
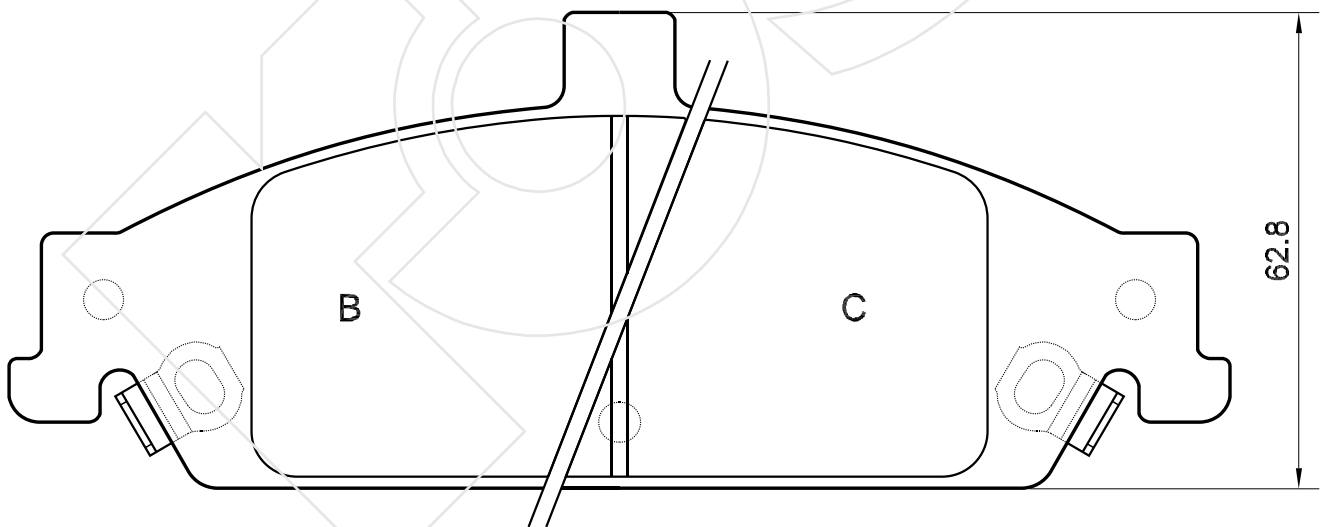
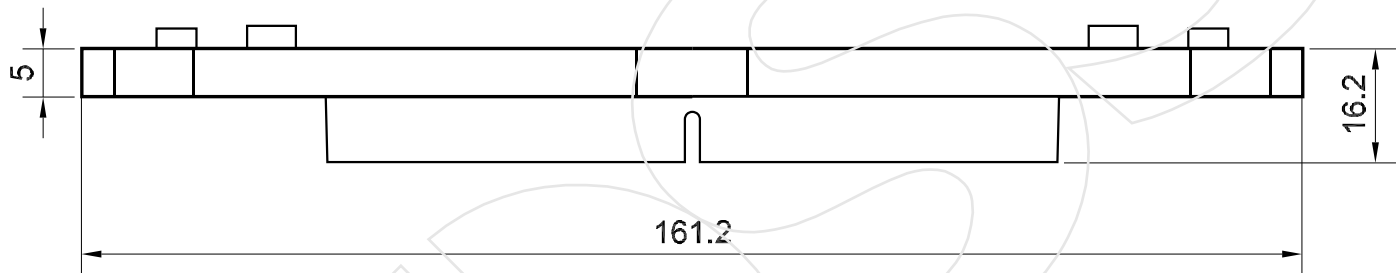
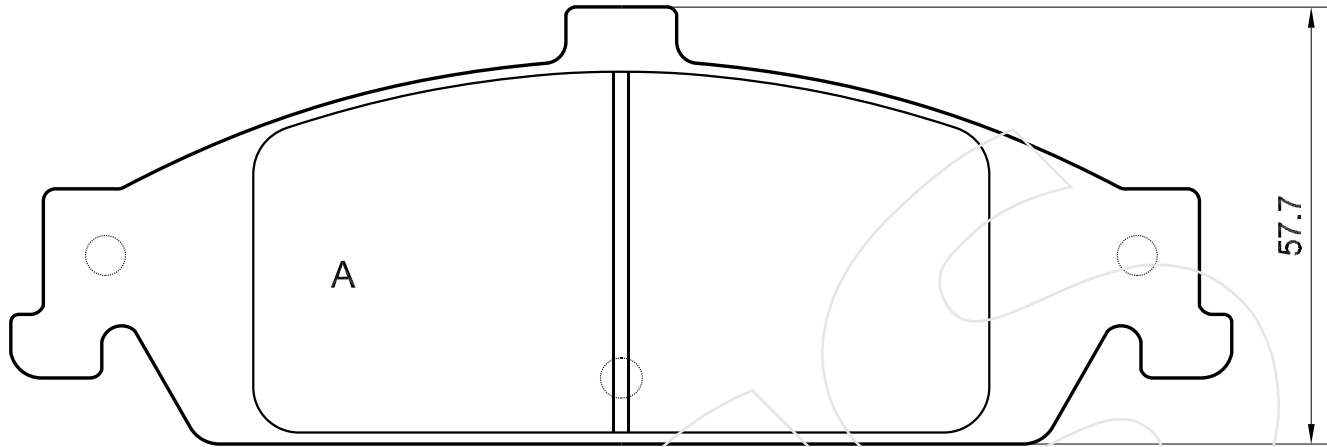
Reference in this Catalogue to other manufactures and to part numbers and other descriptions are for identification purposes only, because the above DISC BRAKE PADS are NOT ORIGINAL but with these interchangeable.

CODICE	IMPIANTO		ASSE	SCALA	APPLICAZIONI
<b>R-881</b>	BOSCH		ANTERIORE	100%	MERCEDES
CODICE COMPONENTI	N°	L(mm)	SERIE		
M0201	2	*	2 PEZZI TIPO A		
M0156+M0201	2+2	*	2 PEZZI TIPO B		
*	*	*	*		
*	*	*	*		
CODICE ACCESSORI	N°	L(mm)	NOTE		
*	*	*	*		
*	*	*	*		
*	*	*	*		
*	*	*	*		



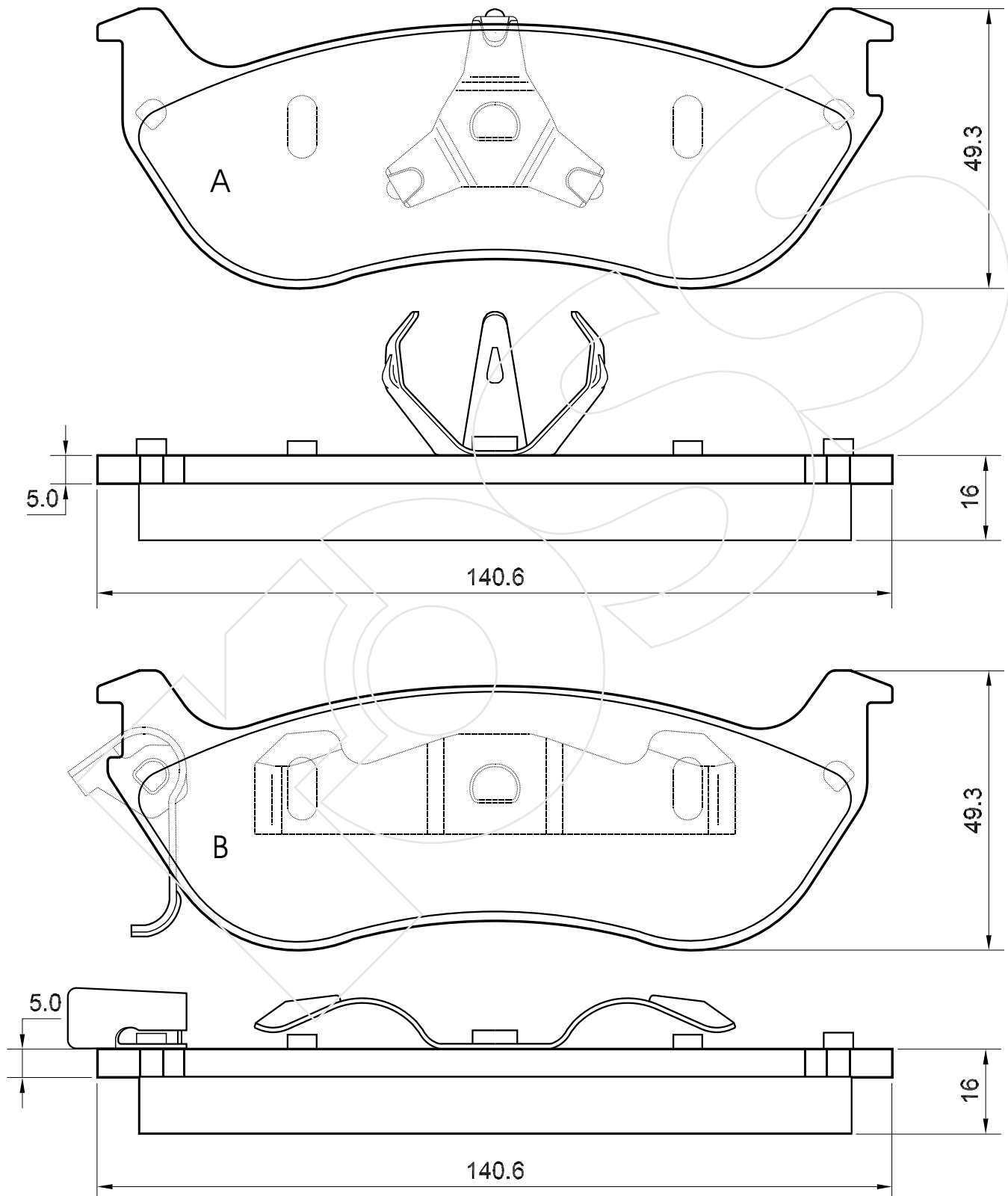
Reference in this Catalogue to other manufactures and to part numbers and other descriptions are for identification purposes only, because the above DISC BRAKE PADS are NOT ORIGINAL but with these interchangeable.

CODICE	IMPIANTO		ASSE	SCALA	APPLICAZIONI
<b>R-882</b>	SUMITOMO		ANTERIORE	100%	CHEVROLET
CODICE COMPONENTI	N°	L(mm)	SERIE		
*	*	*	2 PEZZI TIPO A		
M0240	1	*	1 PEZZO TIPO B		
M0240	1	*	1 PEZZO TIPO C		
*	*	*	*		
CODICE ACCESSORI	N°	L(mm)	NOTE		
*	*	*			
*	*	*			
*	*	*			
*	*	*			



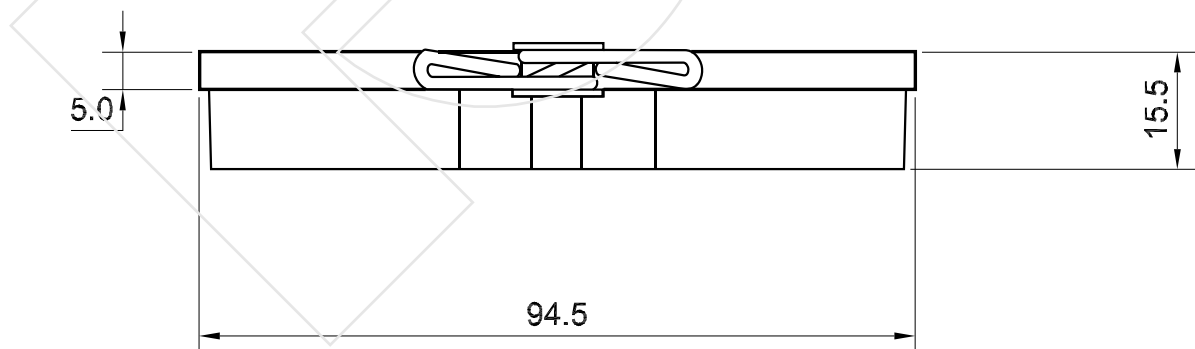
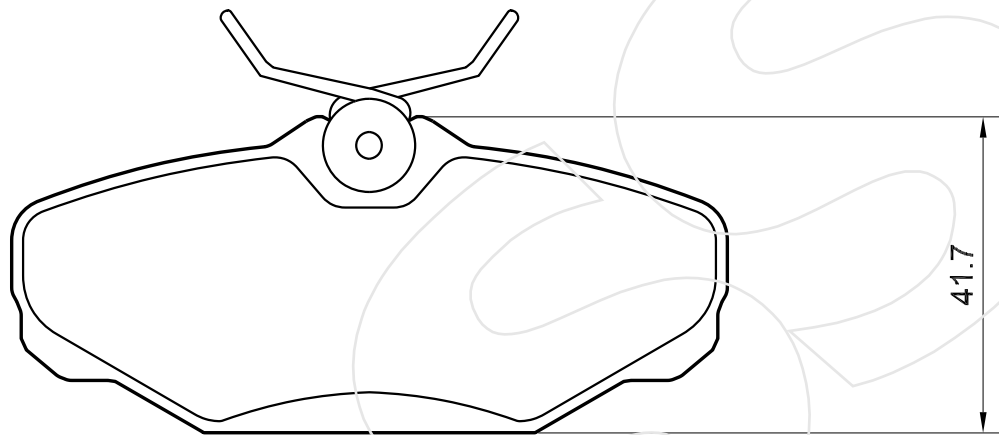
Reference in this Catalogue to other manufactures and to part numbers and other descriptions are for identification purposes only, because the above DISC BRAKE PADS are NOT ORIGINAL but with these interchangeable.

CODICE	IMPIANTO		ASSE	SCALA	APPLICAZIONI
<b>R-883</b>	KELSEY-HAYES		POSTERIORE	100%	MERCURY:
CODICE COMPONENTI	N°	L(mm)	SERIE		
M0241	2	*	2 PEZZI TIPO A		
M0207+M0242	2+2	*	2 PEZZI TIPO B		
*	*	*	*		
*	*	*	*		
CODICE ACCESSORI	N°	L(mm)	NOTE		
*	*	*			
*	*	*			
*	*	*			
*	*	*			



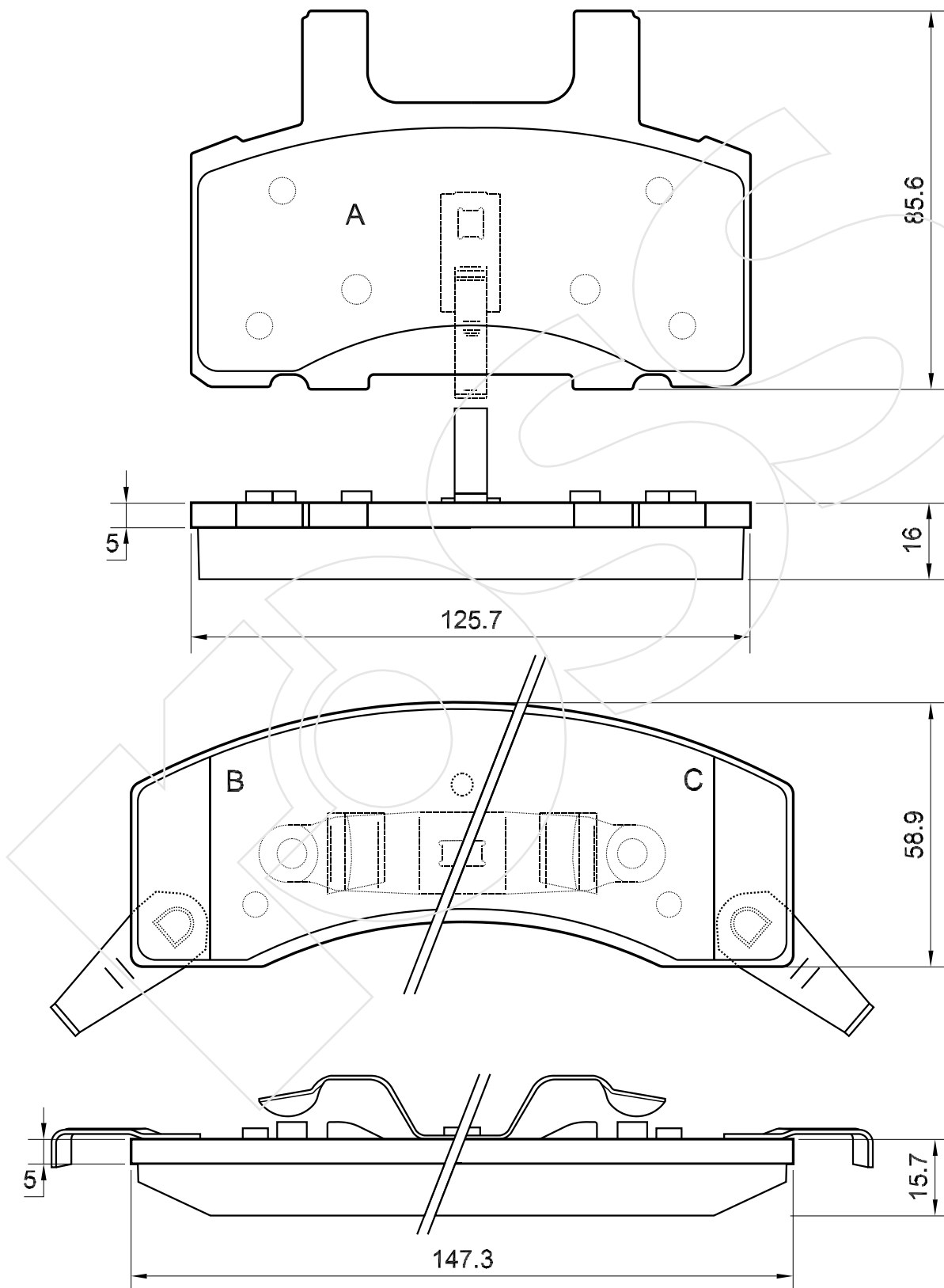
Reference in this Catalogue to other manufactures and to part numbers and other descriptions are for identification purposes only, because the above DISC BRAKE PADS are NOT ORIGINAL but with these interchangeable.

CODICE	IMPIANTO		ASSE	SCALA	APPLICAZIONI
<b>R-884</b>	GIR		POSTERIORE	100%	FORD USA LINCOLN MERCURY
CODICE COMPONENTI	N°	L(mm)	SERIE		
M0015+P1004	4	*	4 PEZZI		
*	*	*	*		
*	*	*	*		
*	*	*	*		
CODICE ACCESSORI	N°	L(mm)	NOTE		
*	*	*			
*	*	*			
*	*	*			
*	*	*			



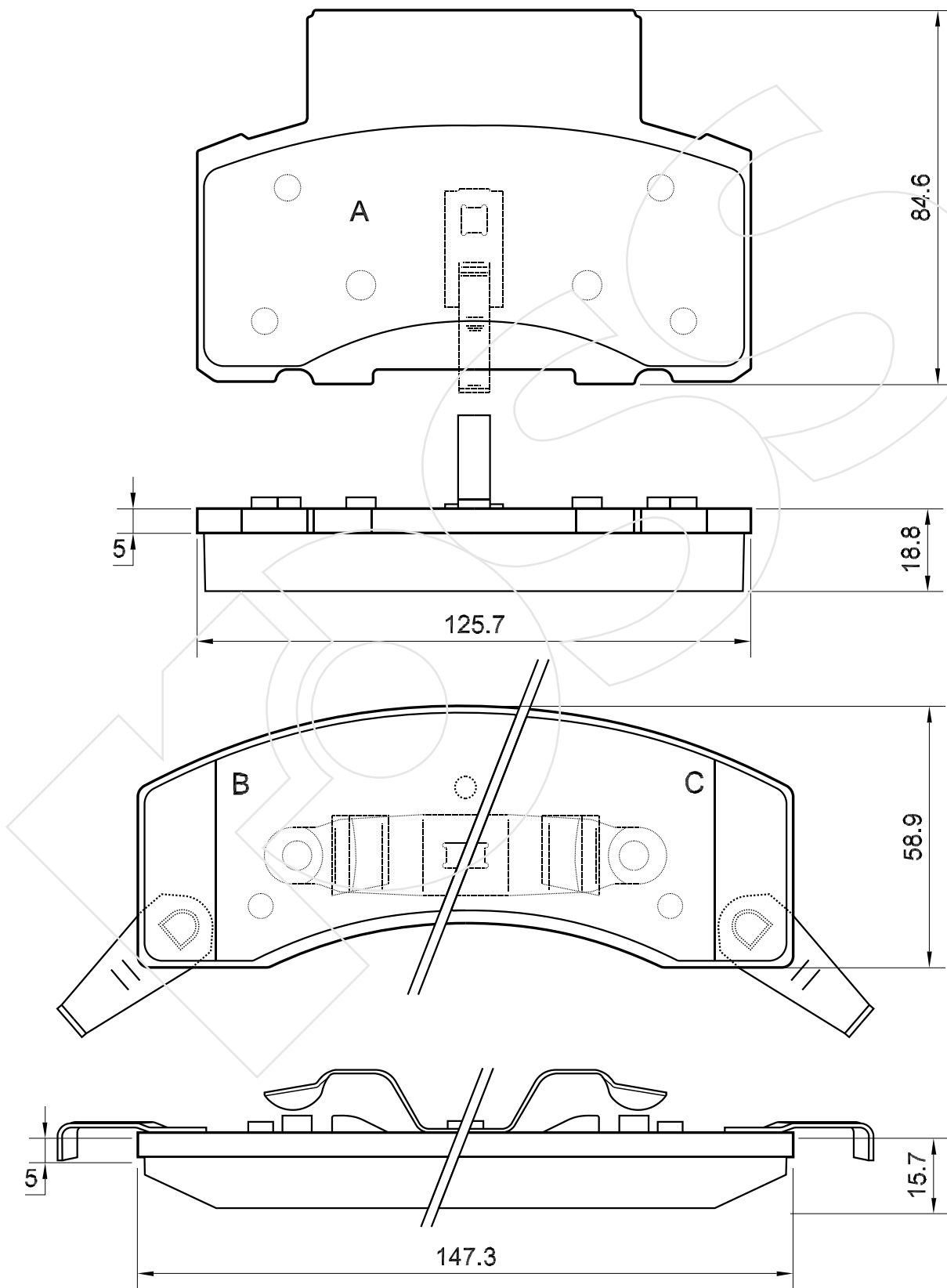
Reference in this Catalogue to other manufactures and to part numbers and other descriptions are for identification purposes only, because the above DISC BRAKE PADS are NOT ORIGINAL but with these interchangeable.

CODICE	IMPIANTO	ASSE	SCALA	APPLICAZIONI
<b>R-885</b>	BENDIX	ANTERIORE	75%	CHEVROLET
CODICE COMPONENTI	N°	L(mm)	SERIE	
M0224	2	*	2 PEZZI TIPO A	
M0211+M0189	1+1	*	1 PEZZO TIPO B	
M0211+M0189	1+1	*	1 PEZZO TIPO C	
*	*	*	*	
CODICE ACCESSORI	N°	L(mm)	NOTE	
*	*	*		
*	*	*		
*	*	*		
*	*	*		

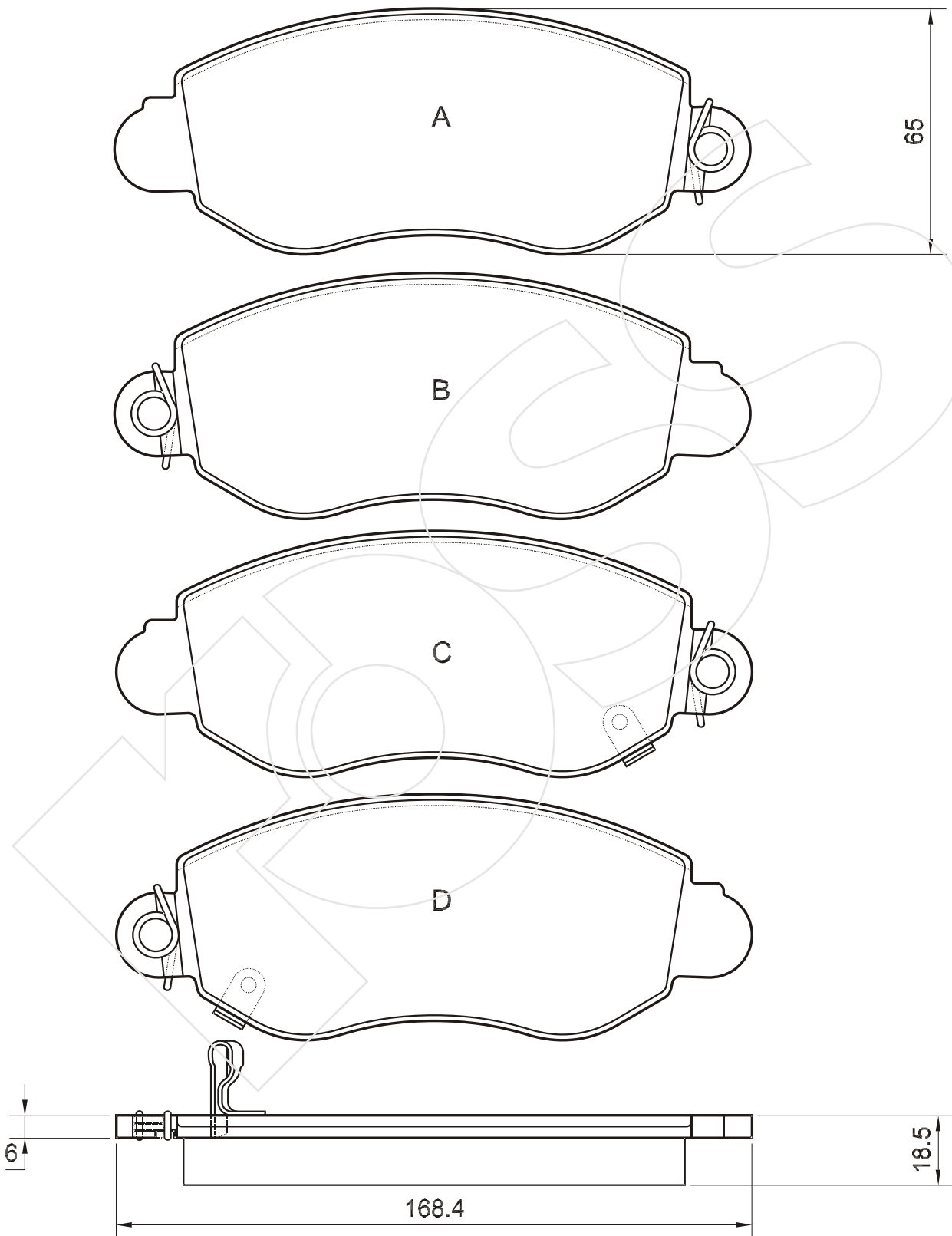


Reference in this Catalogue to other manufactures and to part numbers and other descriptions are for identification purposes only, because the above DISC BRAKE PADS are NOT ORIGINAL but with these interchangeable.

CODICE	IMPIANTO		ASSE	SCALA	APPLICAZIONI
<b>R-886</b>	BENDIX		ANTERIORE	75%	CHEVROLET DODGE GMC
CODICE COMPONENTI	N°	L(mm)	SERIE		
M0224	2	*	2 PEZZI TIPO A		
M0211+M0189	1+1	*	1 PEZZO TIPO B		
M0211+M0189	1+1	*	1 PEZZO TIPO C		
*	*	*	*		
CODICE ACCESSORI	N°	L(mm)	NOTE		
*	*	*			
*	*	*			
*	*	*			
*	*	*			



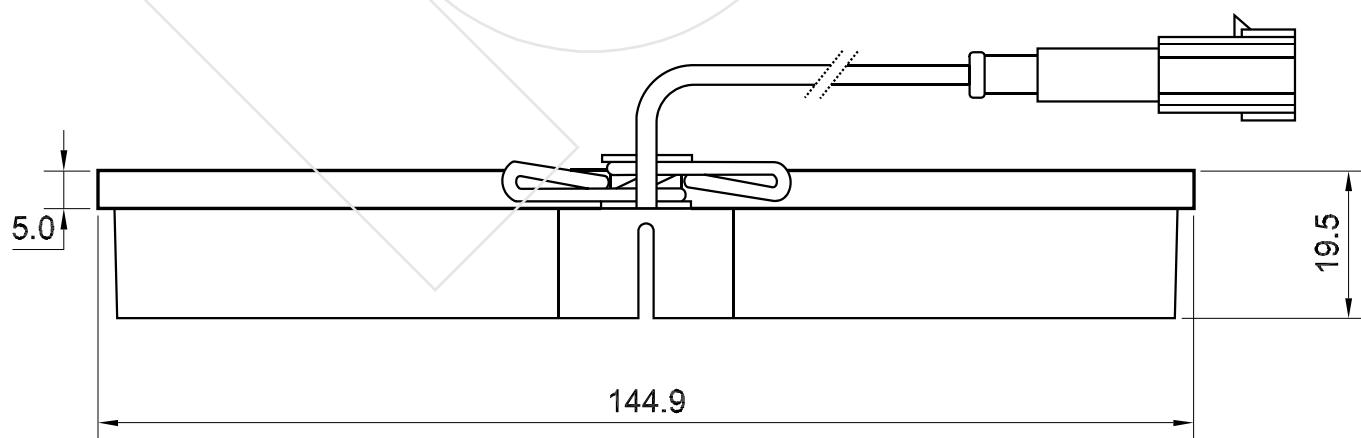
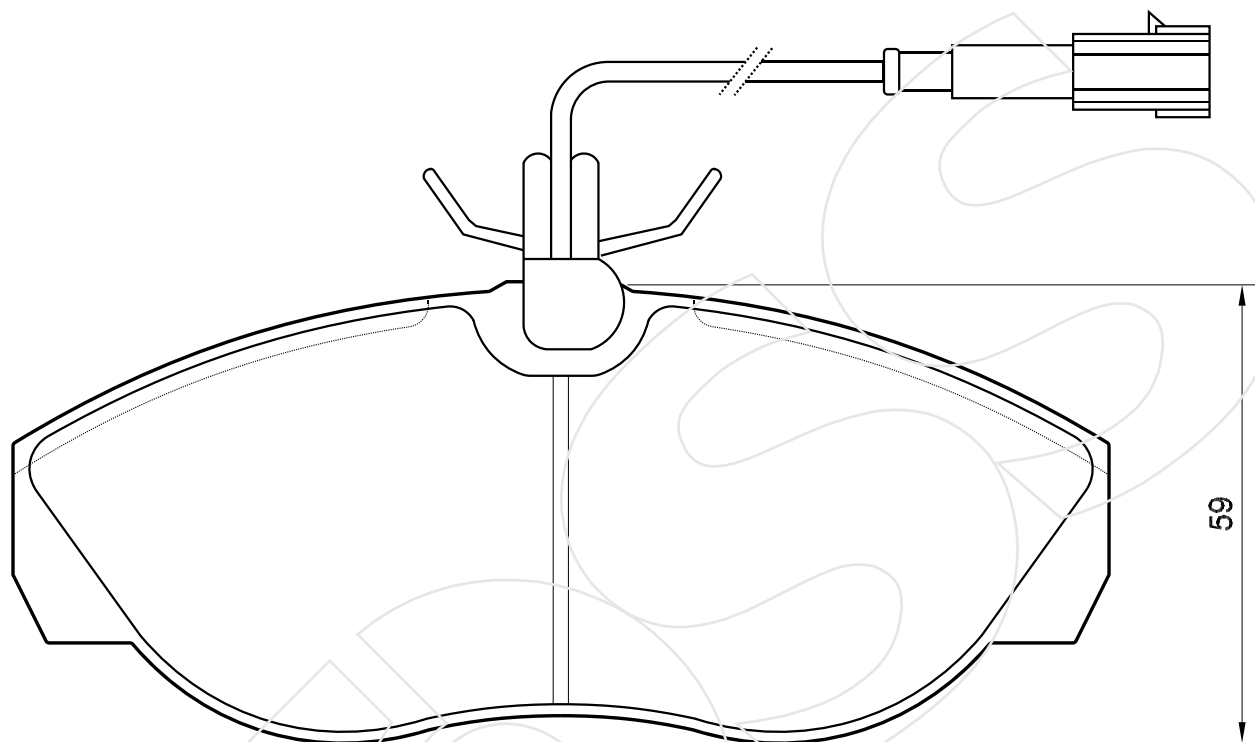
CODICE	IMPIANTO		ASSE	SCALA	APPLICAZIONI
<b>R-887</b>	BOSCH		ANTERIORE	65%	FORD
CODICE COMPONENTI	N°	L(mm)	SERIE		
M0204	1	*	1 PEZZO TIPO A		
M0204	1	*	1 PEZZO TIPO B		
M0204+M0074	1+1	*	1 PEZZO TIPO C		
M0204+M0074	1+1	*	1 PEZZO TIPO D		
CODICE ACCESSORI	N°	L(mm)	NOTE		
*	*	*			
*	*	*			
*	*	*			
*	*	*			



Reference in this Catalogue to other manufactures and to part numbers and other descriptions are for identification purposes only, because the above DISC BRAKE PADS are NOT ORIGINAL but with these interchangeable.

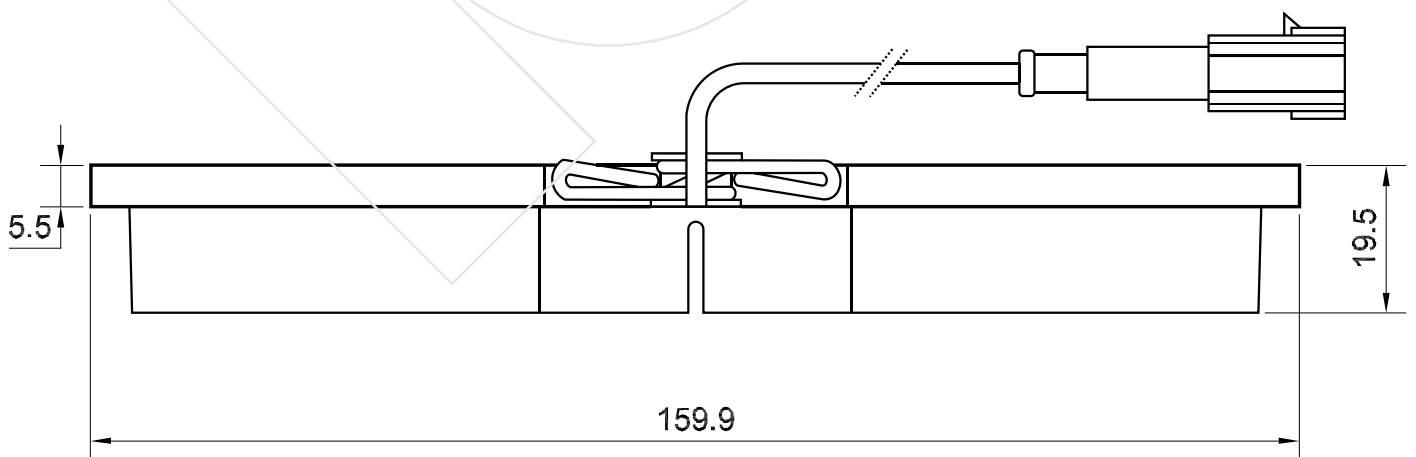
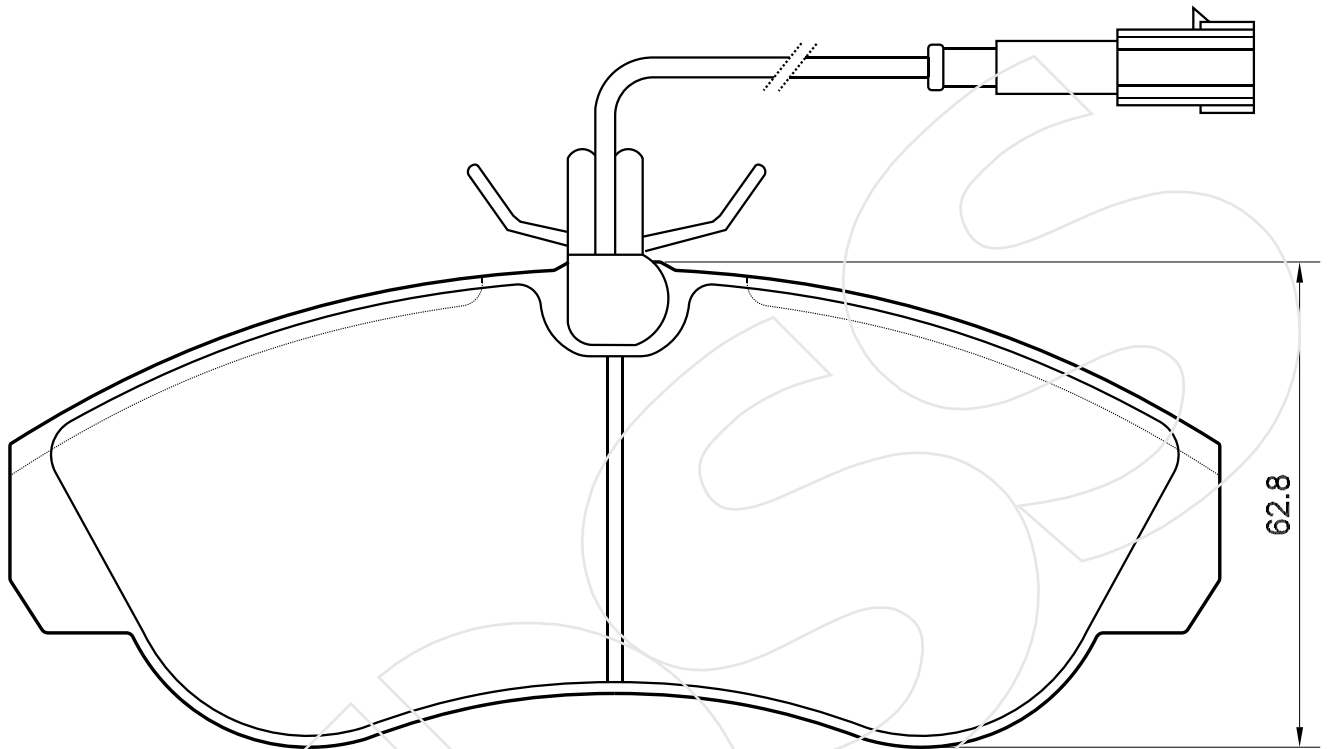


CODICE	IMPIANTO		ASSE	SCALA	APPLICAZIONI
<b>R-888</b>	LUCAS		ANTERIORE	100%	FIAT
CODICE COMPONENTI	N°	L(mm)	SERIE		
M0015	3	*	3 PEZZI SENZA SEGNALATORE		
M0015+F3121	1+1	300	1 PEZZO CON SEGNALATORE		
*	*	*	*		
*	*	*	*		
CODICE ACCESSORI	N°	L(mm)	NOTE		
*	*	*			
*	*	*			
*	*	*			
*	*	*			



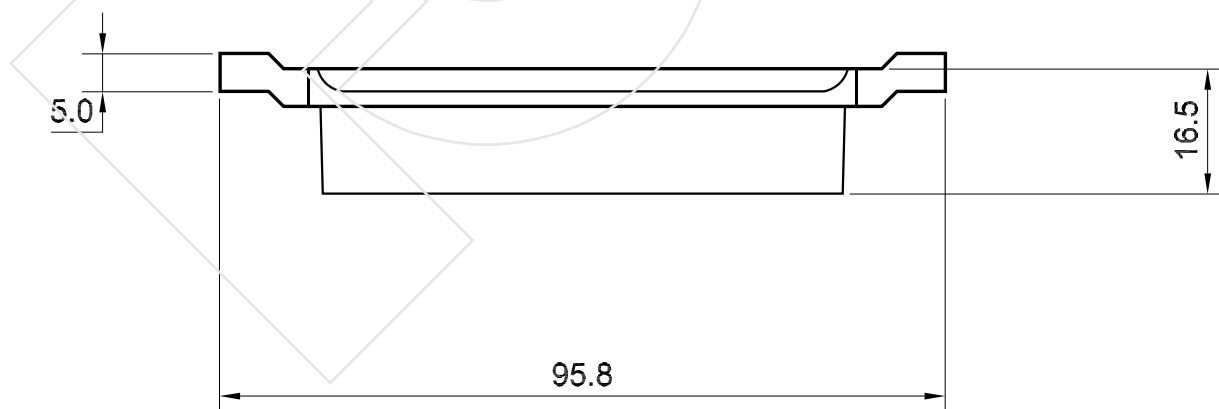
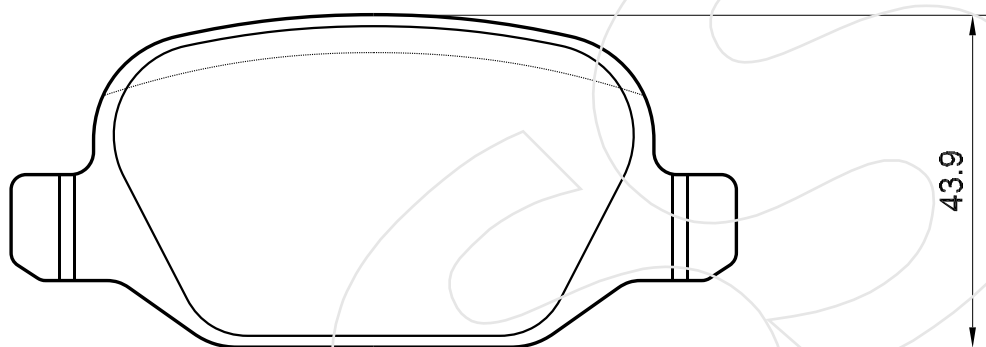
Reference in this Catalogue to other manufactures and to part numbers and other descriptions are for identification purposes only, because the above DISC BRAKE PADS are NOT ORIGINAL but with these interchangeable.

CODICE	IMPIANTO	ASSE	SCALA	APPLICAZIONI
<b>R-889</b>	LUCAS	ANTERIORE	100%	FIAT DUCATO
CODICE COMPONENTI	N°	L(mm)	SERIE	
M0015	3	*	3 PEZZI SENZA SEGNALATORE	
M0015+F3121	1+1	300	1 PEZZO CON SEGNALATORE	
*	*	*	*	
*	*	*	*	
CODICE ACCESSORI	N°	L(mm)	NOTE	
*	*	*		
*	*	*		
*	*	*		
*	*	*		



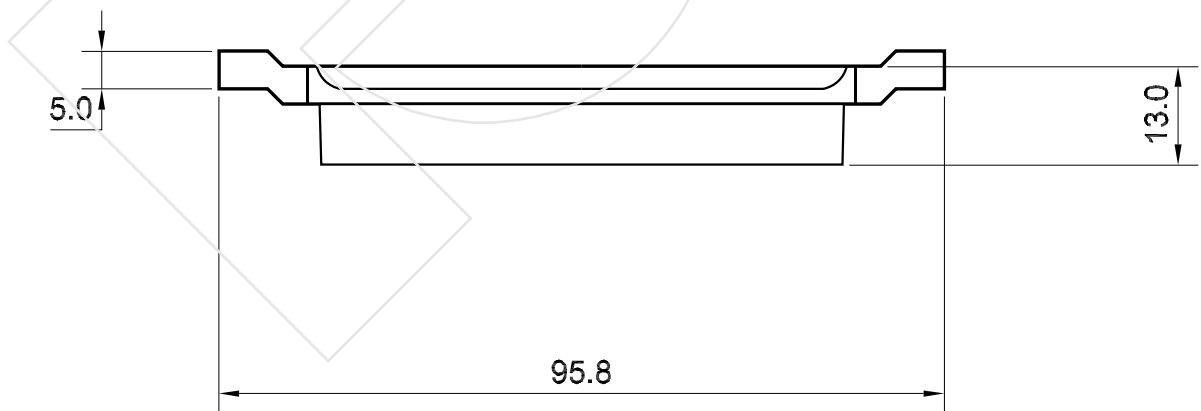
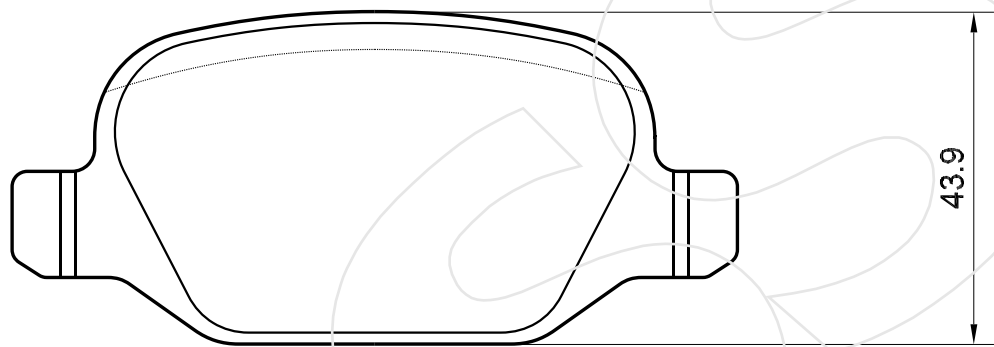
Reference in this Catalogue to other manufactures and to part numbers and other descriptions are for identification purposes only, because the above DISC BRAKE PADS are NOT ORIGINAL but with these interchangeable.

CODICE	IMPIANTO		ASSE	SCALA	APPLICAZIONI
<b>R-890</b>	GIRLING		POSTERIORE	100%	LANCIA
CODICE COMPONENTI	N°	L(mm)	SERIE		
*	*	*	4 PEZZI		
*	*	*	*		
*	*	*	*		
*	*	*	*		
CODICE ACCESSORI	N°	L(mm)	NOTE		
*	*	*			
*	*	*			
*	*	*			
*	*	*			



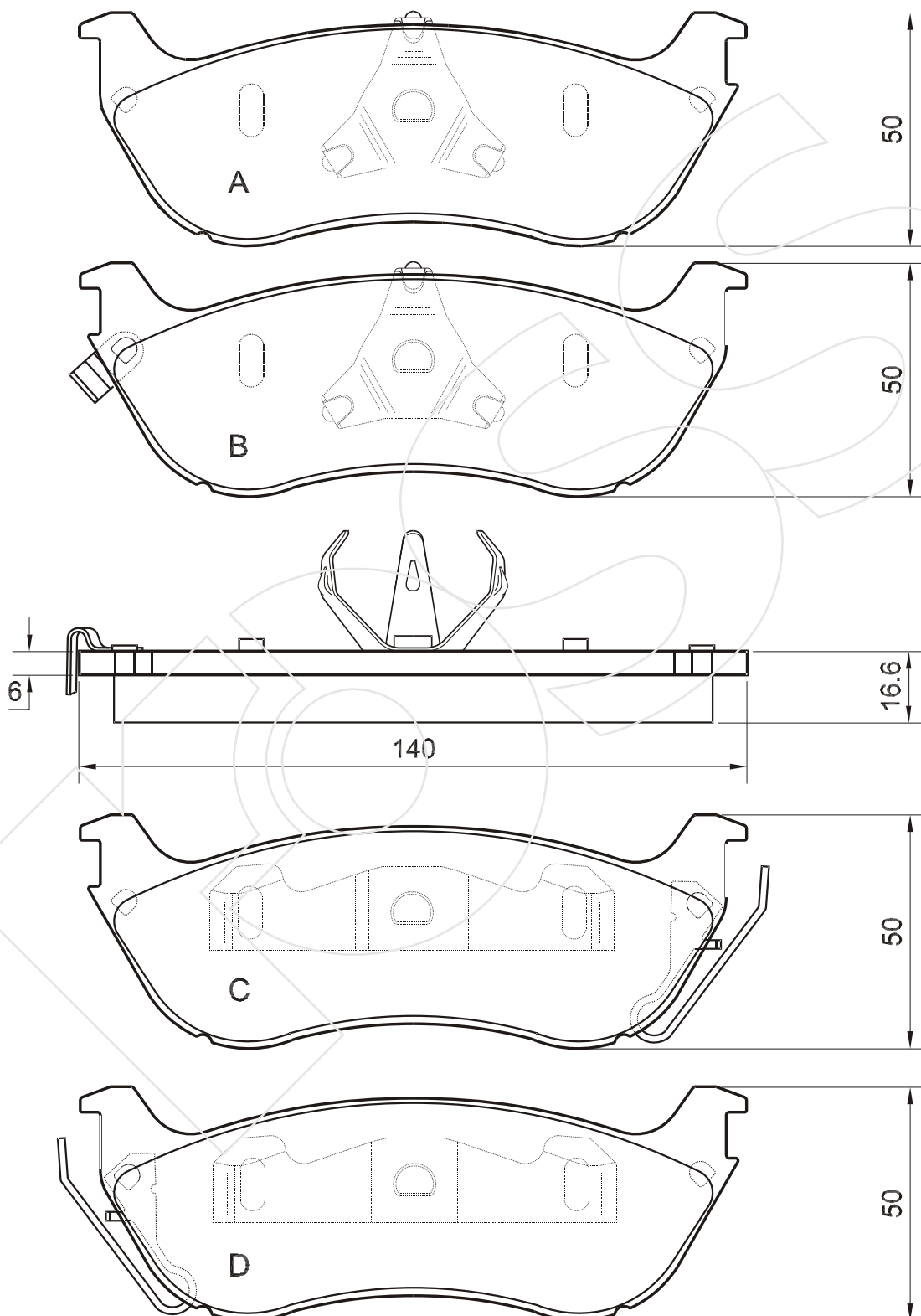
Reference in this Catalogue to other manufactures and to part numbers and other descriptions are for identification purposes only, because the above DISC BRAKE PADS are NOT ORIGINAL but with these interchangeable.

CODICE	IMPIANTO	ASSE	SCALA	APPLICAZIONI
<b>R-891</b>	GIRLING	POSTERIORE	100%	FIAT PUNTO
CODICE COMPONENTI	N°	L(mm)	SERIE	
*	*	*	4 PEZZI	
*	*	*	*	
*	*	*	*	
*	*	*	*	
CODICE ACCESSORI	N°	L(mm)	NOTE	
*	*	*		
*	*	*		
*	*	*		
*	*	*		



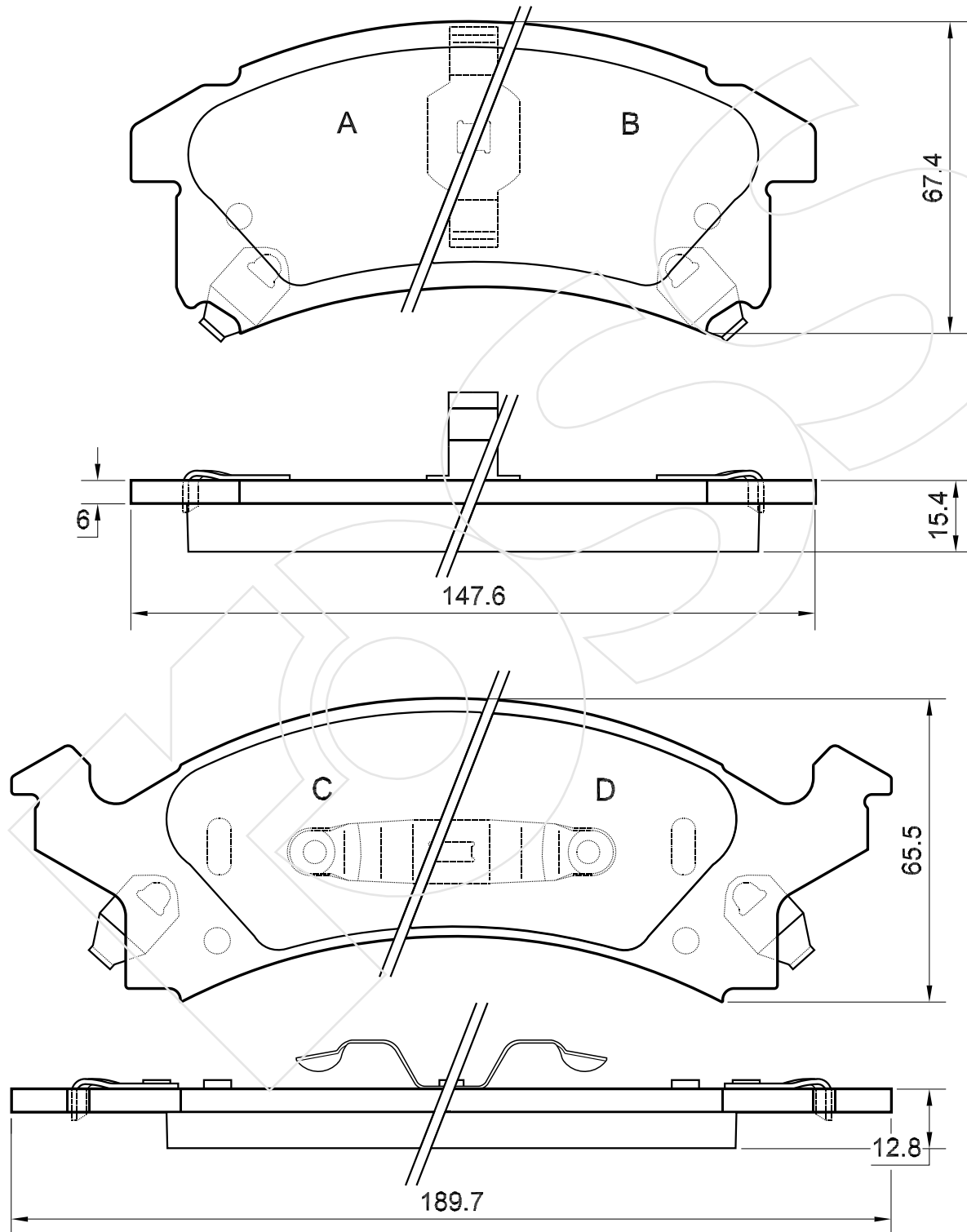
Reference in this Catalogue to other manufactures and to part numbers and other descriptions are for identification purposes only, because the above DISC BRAKE PADS are NOT ORIGINAL but with these interchangeable.

CODICE	IMPIANTO		ASSE	SCALA	APPLICAZIONI
<b>R-892</b>	KELSEY-HAYES		POSTERIORE	75%	MERCEDES
CODICE COMPONENTI	N°	L(mm)	SERIE		
M0243	1	*	1 PEZZO TIPO A		
M0243+M0253	1+1	*	1 PEZZO TIPO B		
M0236+M0210	1+1	*	1 PEZZO TIPO C		
M0236+M0209	1+1	*	1 PEZZO TIPO D		
CODICE ACCESSORI	N°	L(mm)	NOTE		
*	*	*			
*	*	*			
*	*	*			
*	*	*			



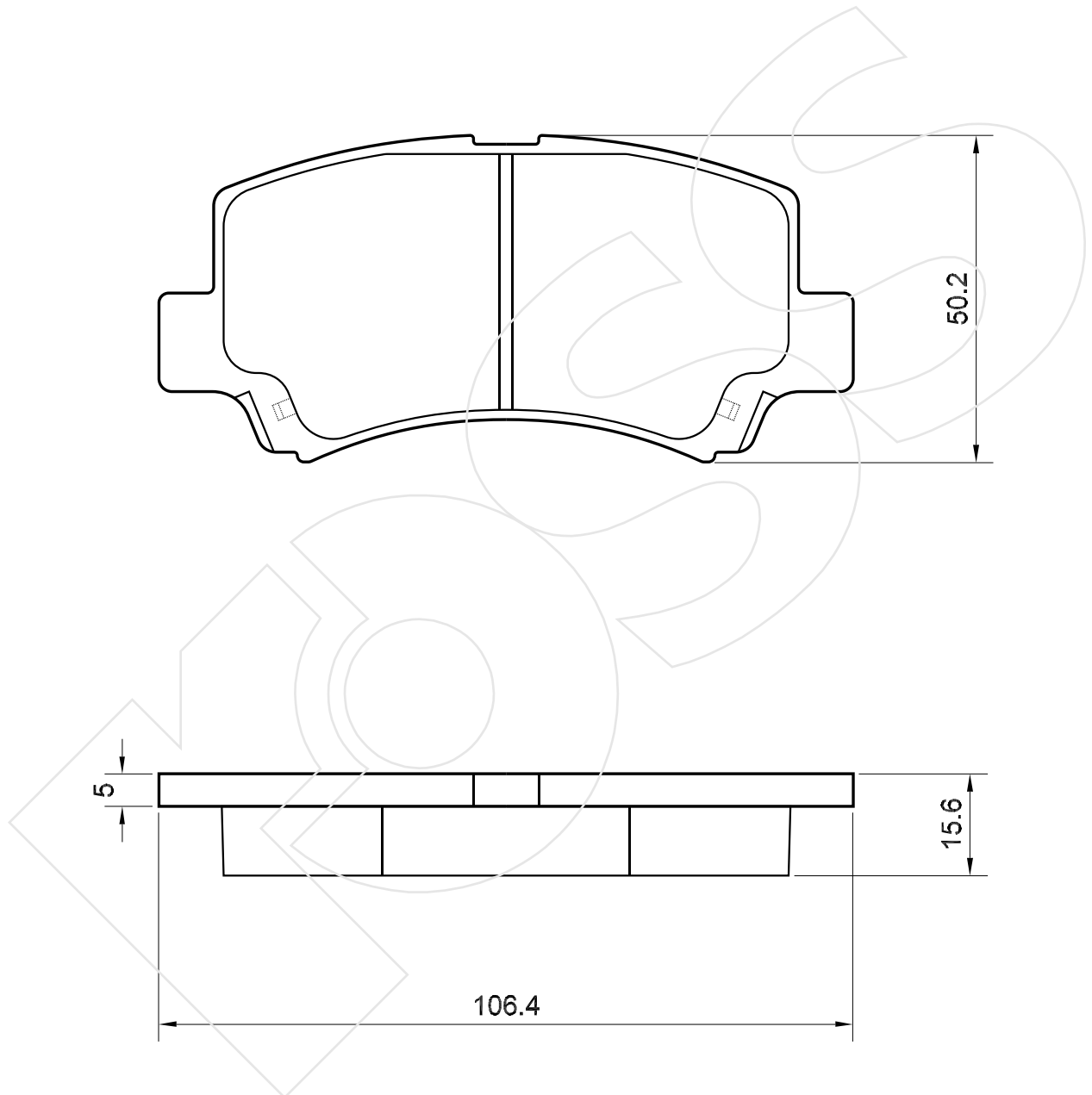
Reference in this Catalogue to other manufactures and to part numbers and other descriptions are for identification purposes only, because the above DISC BRAKE PADS are NOT ORIGINAL but with these interchangeable.

CODICE	IMPIANTO		ASSE	SCALA	APPLICAZIONI
<b>R-893</b>	*		ANTERIORE	75%	BUICK CHEVROLET
CODICE COMPONENTI	N°	L(mm)	SERIE		
M0188+M0205	1+1	*	1 PEZZO TIPO A		
M0188+M0205	1+1	*	1 PEZZO TIPO B		
M0189+M0205	1+1	*	1 PEZZO TIPO C		
M0189+M0205	1+1	*	1 PEZZO TIPO D		
CODICE ACCESSORI	N°	L(mm)	NOTE		
*	*	*			
*	*	*			
*	*	*			
*	*	*			



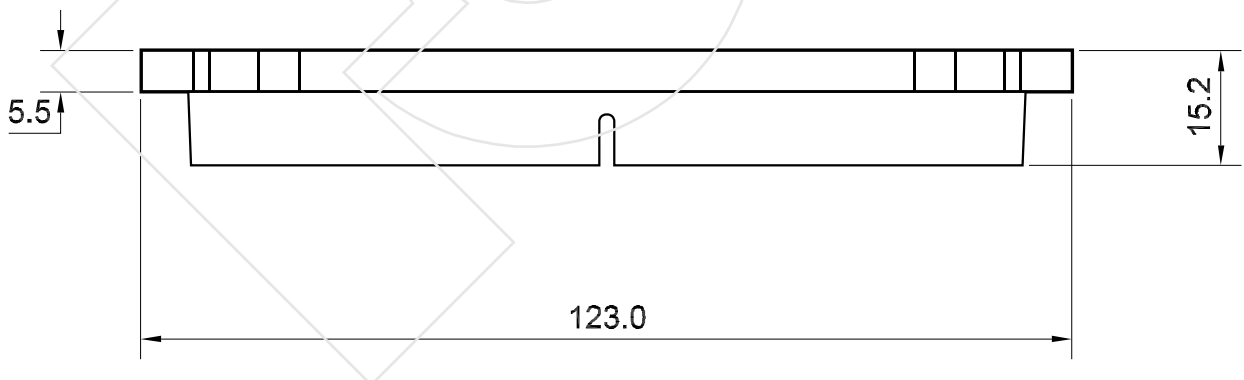
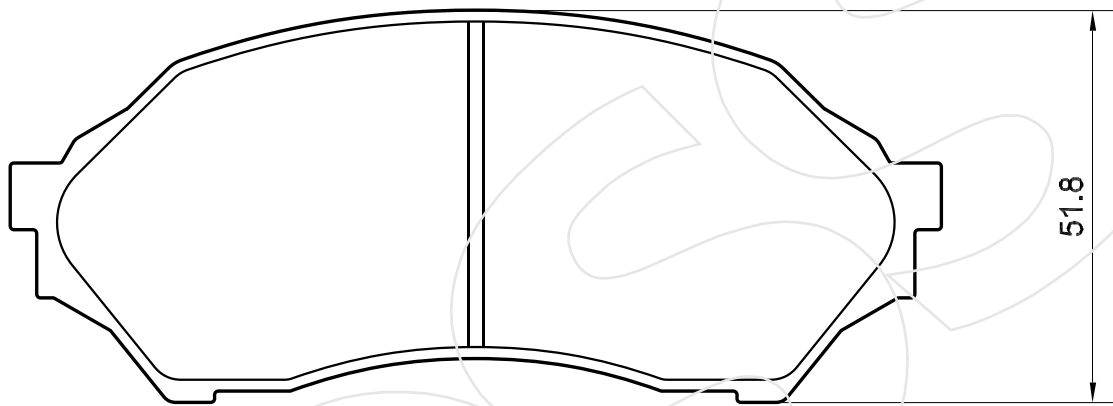
Reference in this Catalogue to other manufactures and to part numbers and other descriptions are for identification purposes only, because the above DISC BRAKE PADS are NOT ORIGINAL but with these interchangeable.

CODICE	IMPIANTO	ASSE	SCALA	APPLICAZIONI
<b>R-894</b>	ATE	POSTERIORE	100%	SUZUKI
CODICE COMPONENTI	N°	L(mm)	SERIE	
*	*	*	4 PEZZI	
*	*	*	*	
*	*	*	*	
*	*	*	*	
CODICE ACCESSORI	N°	L(mm)	NOTE	
*	*	*		
*	*	*		
*	*	*		
*	*	*		



Reference in this Catalogue to other manufactures and to part numbers and other descriptions are for identification purposes only, because the above DISC BRAKE PADS are NOT ORIGINAL but with these interchangeable.

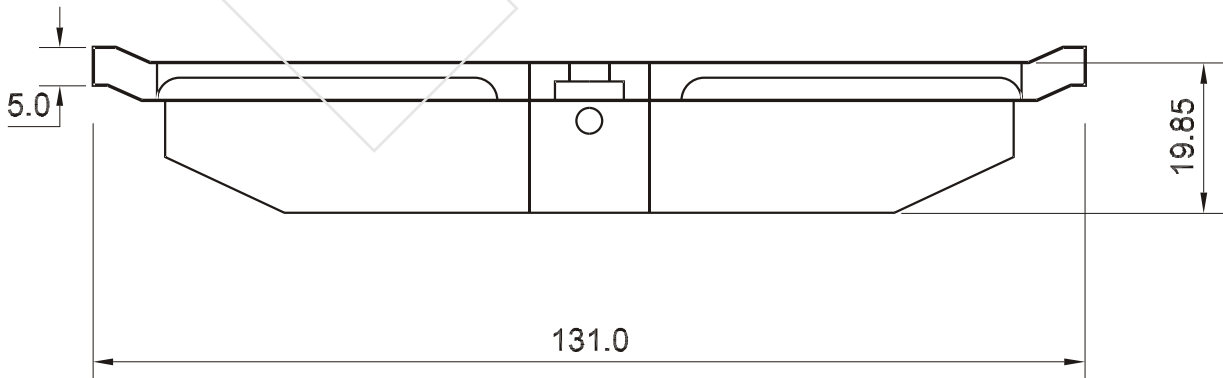
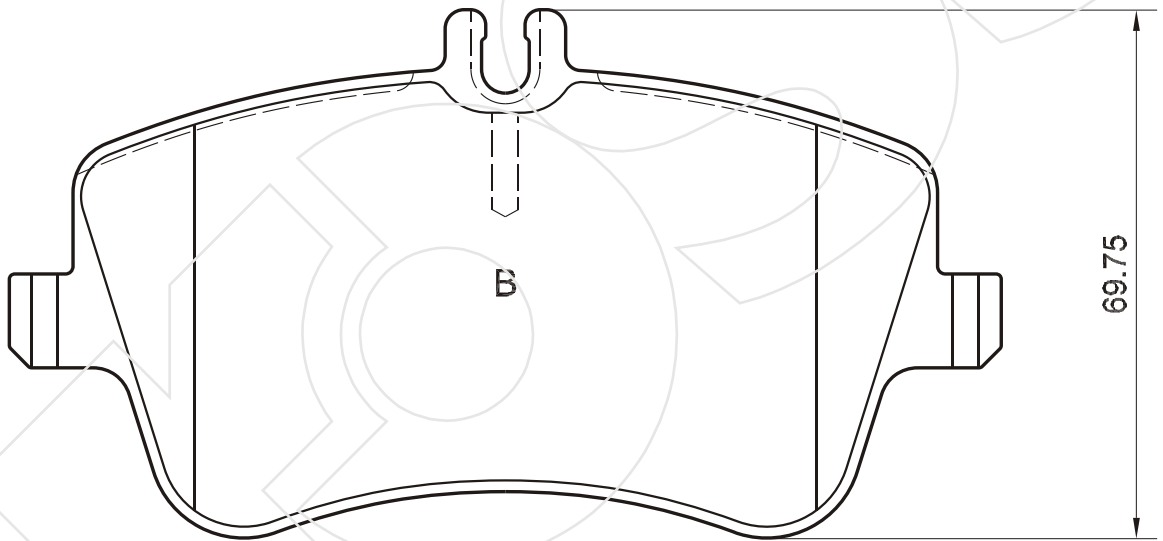
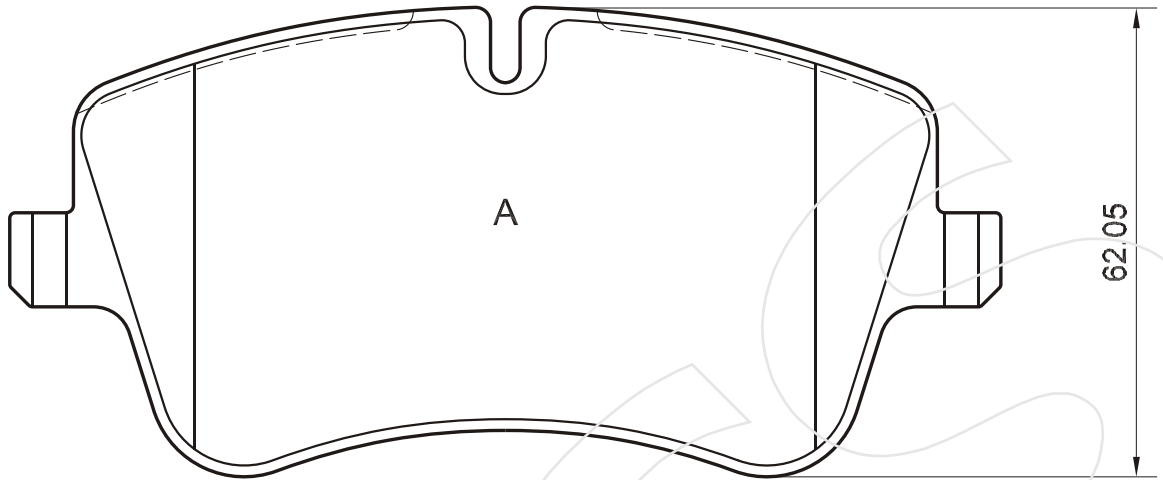
CODICE	IMPIANTO		ASSE	SCALA	APPLICAZIONI
<b>R-895</b>	SUMITOMO		ANTERIORE	100%	MAZDA
CODICE COMPONENTI	N°	L(mm)	SERIE		
*	*	*	4 PEZZI		
*	*	*			
*	*	*			
*	*	*			
CODICE ACCESSORI	N°	L(mm)	NOTE		
M0141	2	*			
*	*	*			
*	*	*			
*	*	*			



Reference in this Catalogue to other manufactures and to part numbers and other descriptions are for identification purposes only, because the above DISC BRAKE PADS are NOT ORIGINAL but with these interchangeable.

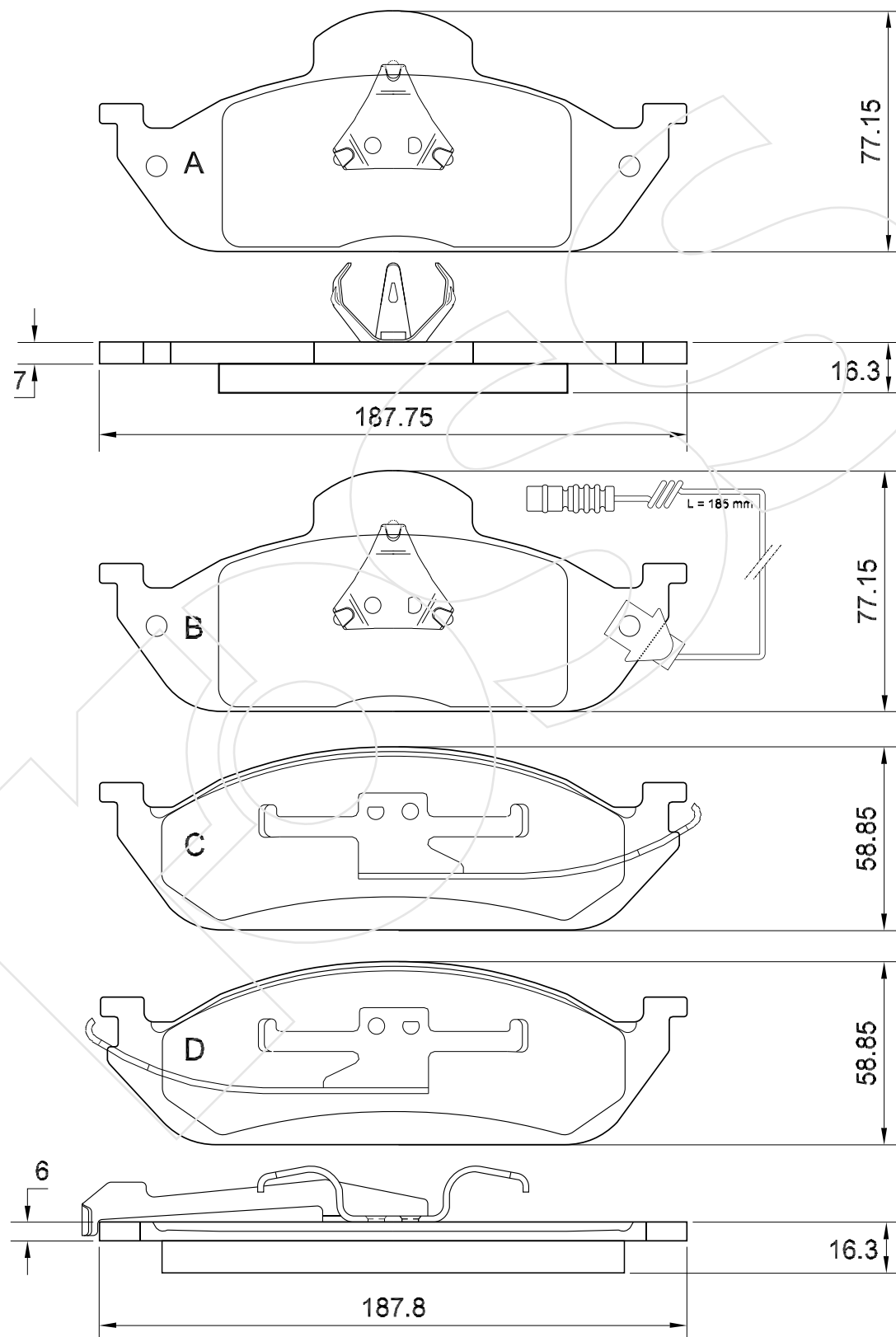


CODICE	IMPIANTO		ASSE	SCALA	APPLICAZIONI
<b>R-896</b>	LUCAS		ANTERIORE	100%	MERCEDES
CODICE COMPONENTI	N°	L(mm)	SERIE		
*	*	*	2 PEZZI TIPO A		
*	*	*	2 PEZZI TIPO B (Foro diam. 3.4)		
*	*	*	*		
*	*	*	*		
CODICE ACCESSORI	N°	L(mm)	NOTE		
*	*	*			
*	*	*			
*	*	*			
*	*	*			



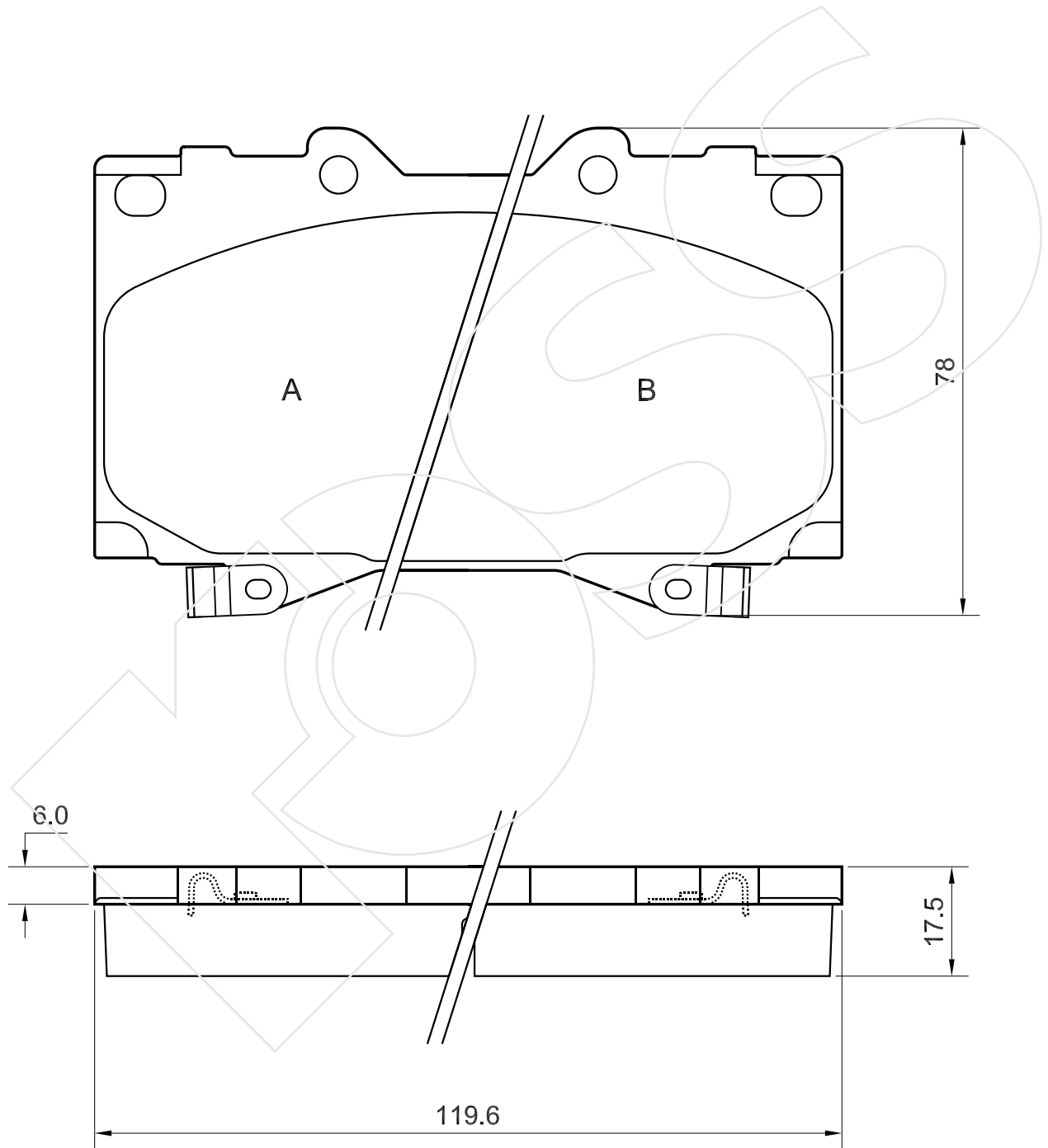
Reference in this Catalogue to other manufactures and to part numbers and other descriptions are for identification purposes only, because the above DISC BRAKE PADS are NOT ORIGINAL but with these interchangeable.

CODICE	IMPIANTO		ASSE	SCALA	APPLICAZIONI
<b>R-897</b>	KELSEY-HAYES		ANTERIORE	50%	MERCEDES
CODICE COMPONENTI	N°	L(mm)	SERIE		
M0225	1	*	1 PEZZO TIPO A		
M0225+F3125	1+1	185	1 PEZZO TIPO B		
M0222	1	*	1 PEZZO TIPO C		
M0221	1	*	1 PEZZO TIPO D		
CODICE ACCESSORI	N°	L(mm)	NOTE		
*	*	*			
*	*	*			
*	*	*			
*	*	*			



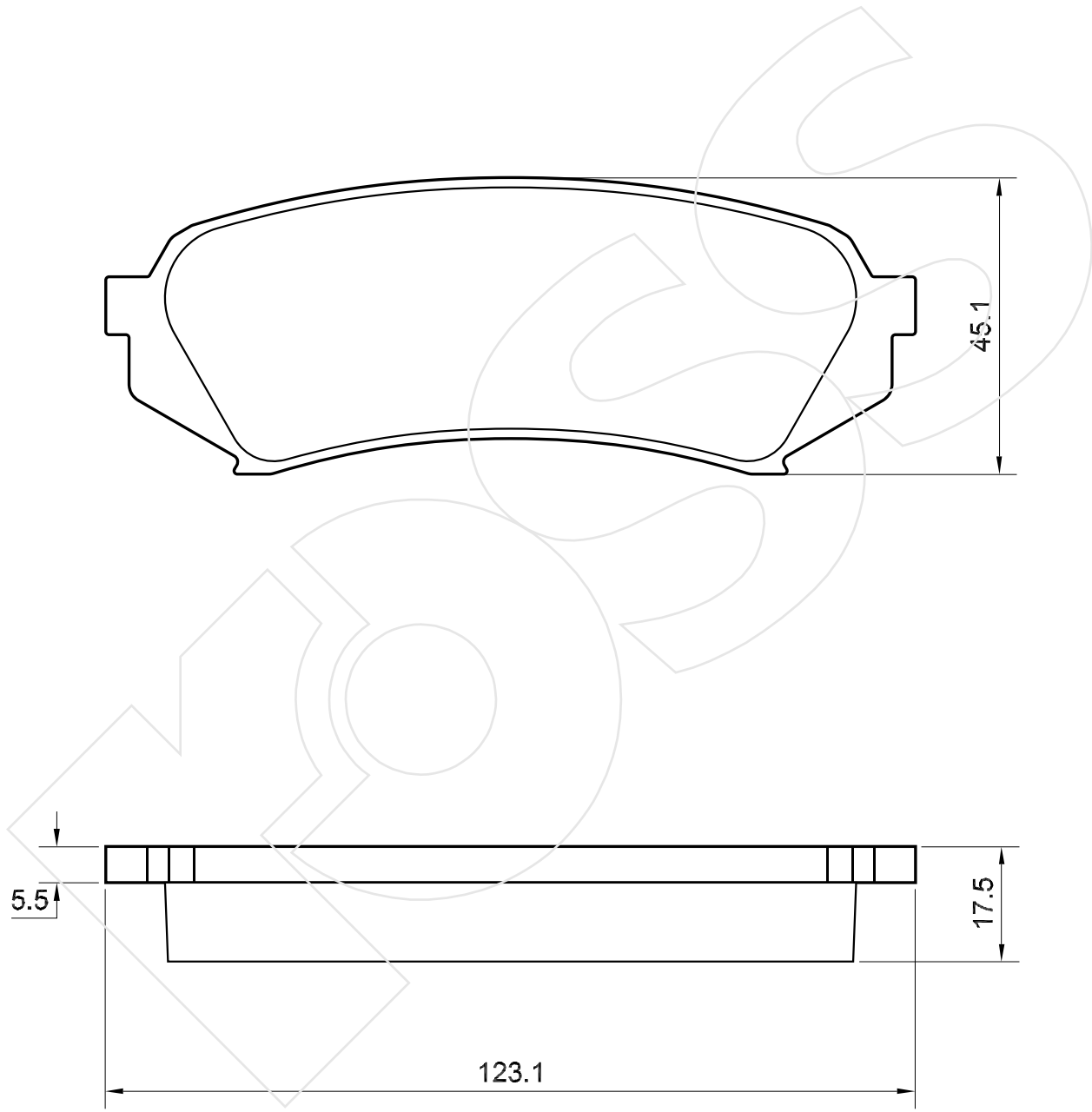
Reference in this Catalogue to other manufactures and to part numbers and other descriptions are for identification purposes only, because the above DISC BRAKE PADS are NOT ORIGINAL but with these interchangeable.

CODICE	IMPIANTO		ASSE	SCALA	APPLICAZIONI
<b>R-898</b>	SUMITOMO		ANTERIORE	100%	TOYOTA
CODICE COMPONENTI	N°	L(mm)	SERIE		
M0362	2	*	2 PEZZI TIPO A		
M0362	2	*	2 PEZZI TIPO B		
*	*	*	*		
*	*	*	*		
CODICE ACCESSORI	N°	L(mm)	NOTE		
*	*	*			
*	*	*			
*	*	*			
*	*	*			



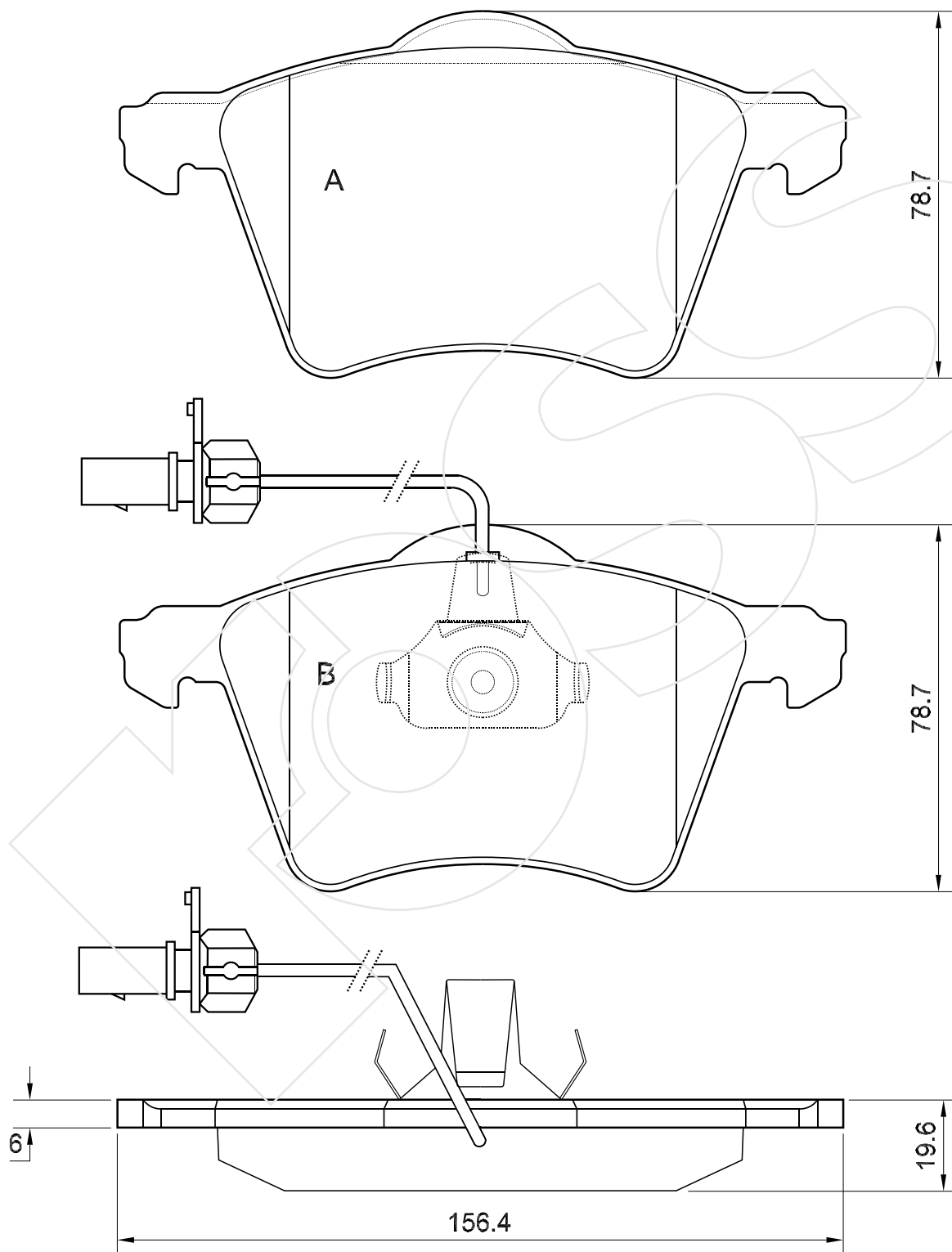
Reference in this Catalogue to other manufactures and to part numbers and other descriptions are for identification purposes only, because the above DISC BRAKE PADS are NOT ORIGINAL but with these interchangeable.

CODICE	IMPIANTO	ASSE	SCALA	APPLICAZIONI
<b>R-899</b>	AKEBONO	POSTERIORE	100%	TOYOTA
CODICE COMPONENTI	N°	L(mm)	SERIE	
*	*	*	4 PEZZI	
*	*	*	*	
*	*	*	*	
*	*	*	*	
CODICE ACCESSORI	N°	L(mm)	NOTE	
*	*	*		
*	*	*		
*	*	*		
*	*	*		



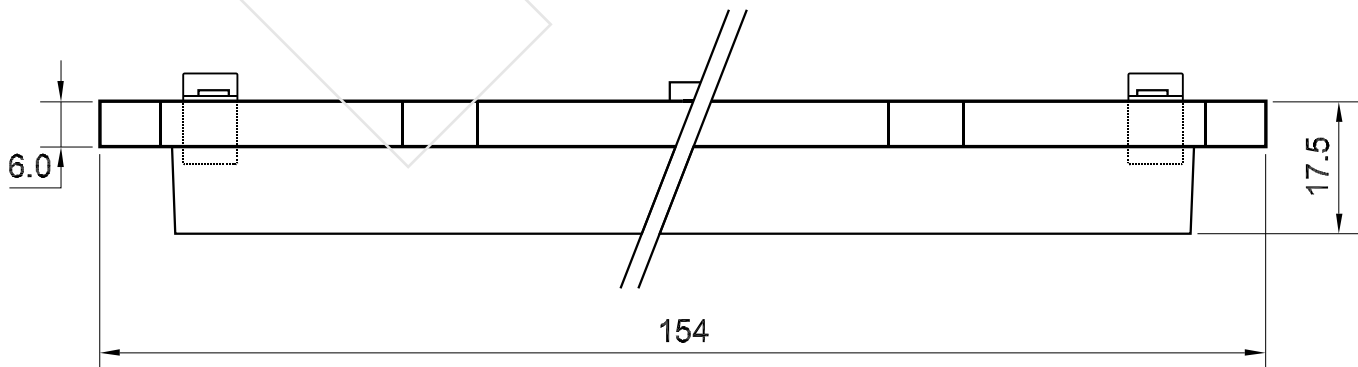
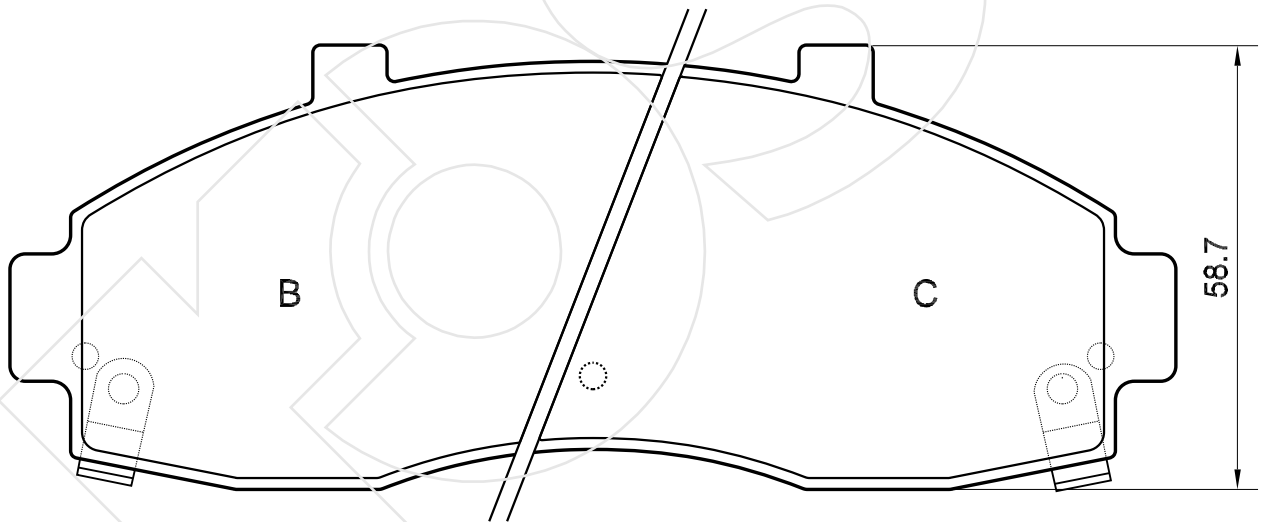
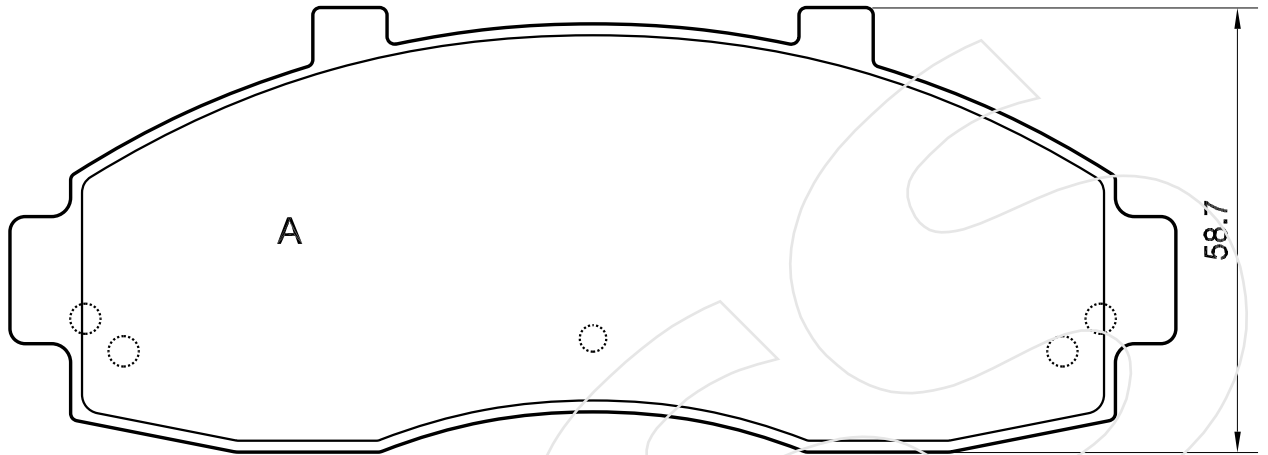
Reference in this Catalogue to other manufactures and to part numbers and other descriptions are for identification purposes only, because the above DISC BRAKE PADS are NOT ORIGINAL but with these interchangeable.

CODICE	IMPIANTO		ASSE	SCALA	APPLICAZIONI
<b>R-900</b>	ATE		ANTERIORE	75%	VOLKSWAGEN
CODICE COMPONENTI	N°	L(mm)	SERIE		
*	*	*	2 PEZZI TIPO A		
M0132+F3133	2+2	280	2 PEZZI TIPO B		
*	*	*	*		
*	*	*	*		
CODICE ACCESSORI	N°	L(mm)	NOTE		
*	*	*			
*	*	*			
*	*	*			
*	*	*			



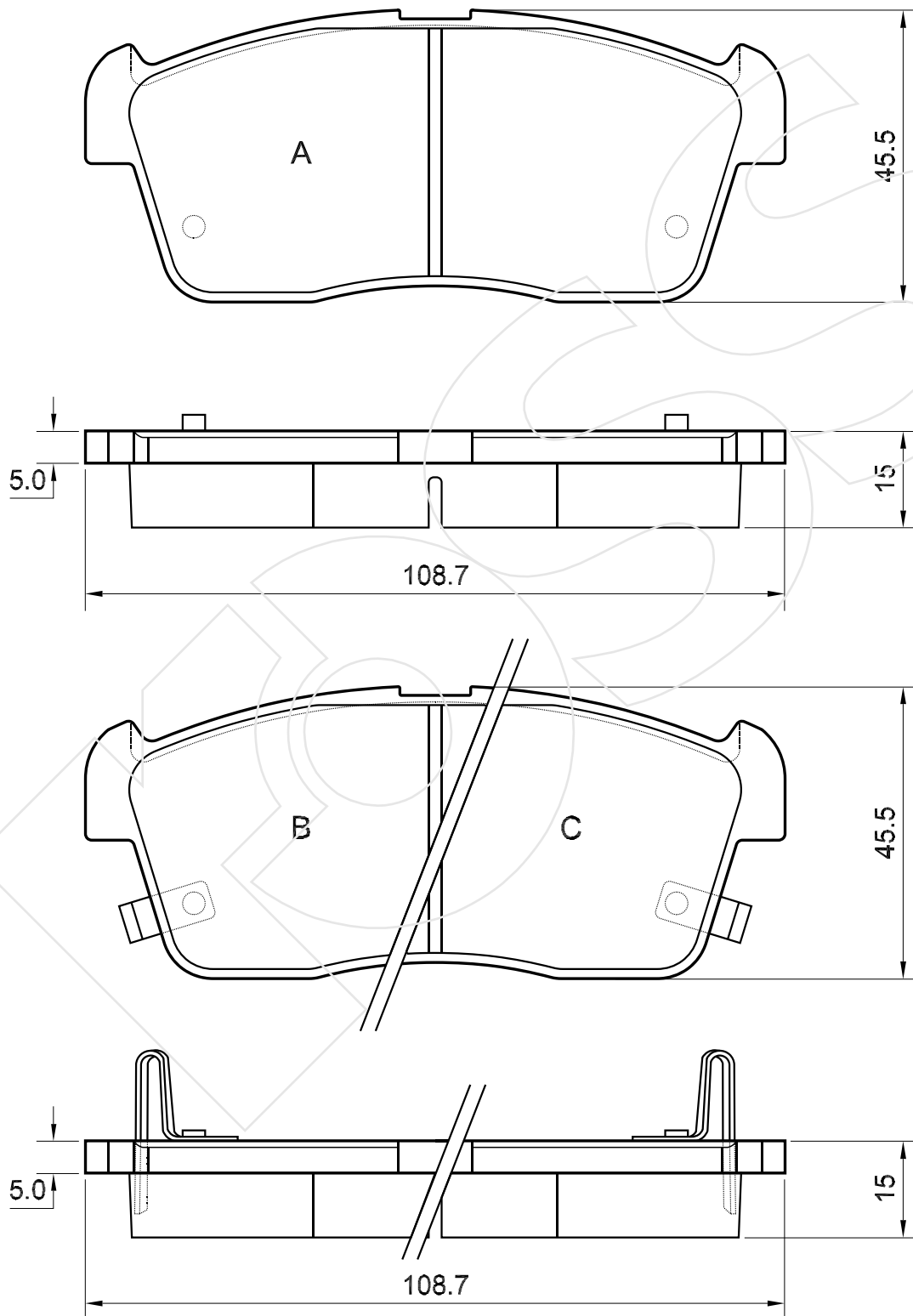
Reference in this Catalogue to other manufactures and to part numbers and other descriptions are for identification purposes only, because the above DISC BRAKE PADS are NOT ORIGINAL but with these interchangeable.

CODICE	IMPIANTO		ASSE	SCALA	APPLICAZIONI
<b>R-901</b>	WAGNER		ANTERIORE	100%	KIA
CODICE COMPONENTI	N°	L(mm)	SERIE		
*	*	*	2 PEZZI TIPO A		
M0258	1	*	1 PEZZO TIPO B		
M0258	1	*	1 PEZZO TIPO C		
*	*	*	*		
*	*	*	*		
CODICE ACCESSORI	N°	L(mm)	NOTE		
*	*	*			
*	*	*			
*	*	*			
*	*	*			



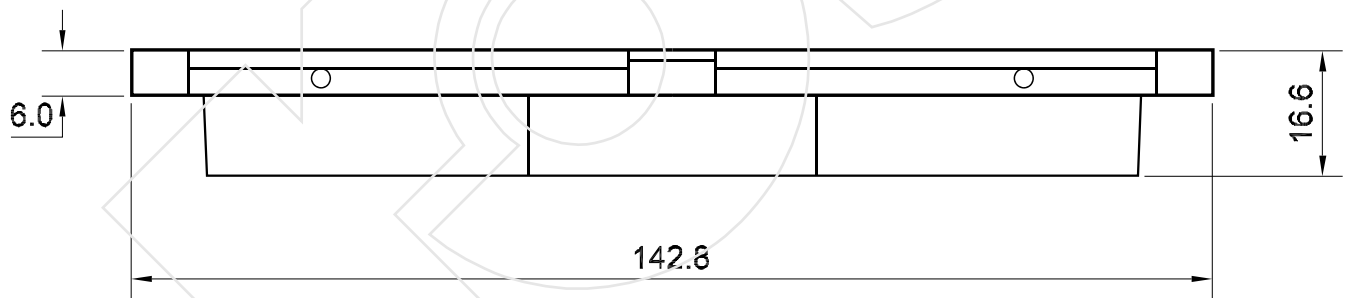
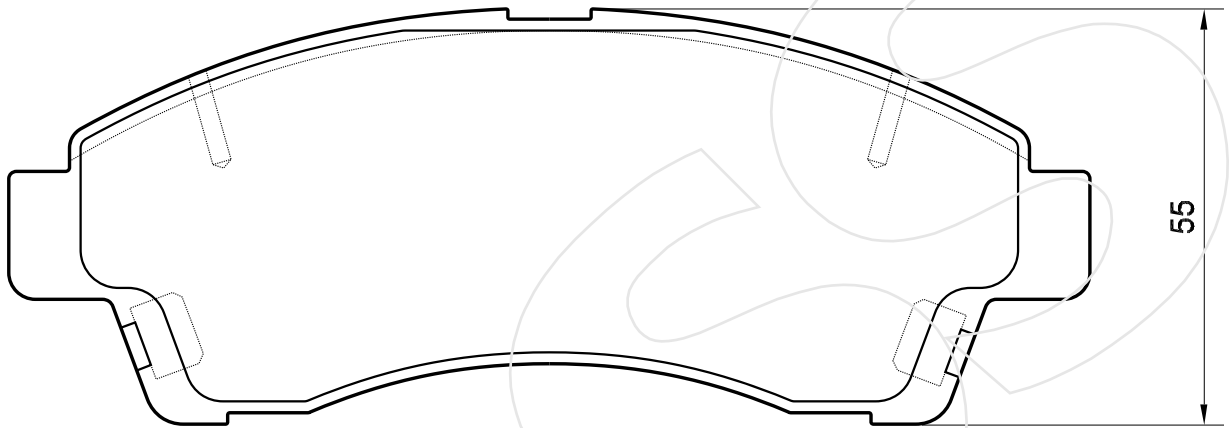
Reference in this Catalogue to other manufactures and to part numbers and other descriptions are for identification purposes only, because the above DISC BRAKE PADS are NOT ORIGINAL but with these interchangeable.

CODICE	IMPIANTO	ASSE	SCALA	APPLICAZIONI
<b>R-902</b>	SUMITOMO	ANTERIORE	100%	SUZUKI
CODICE COMPONENTI	N°	L(mm)	SERIE	
*	*	*	2 PEZZI TIPO A	
M0177	1	*	1 PEZZO TIPO B	
M0177	1	*	1 PEZZO TIPO C	
*	*	*	*	
CODICE ACCESSORI	N°	L(mm)	NOTE	
*	*	*		
*	*	*		
*	*	*		
*	*	*		



Reference in this Catalogue to other manufactures and to part numbers and other descriptions are for identification purposes only, because the above DISC BRAKE PADS are NOT ORIGINAL but with these interchangeable.

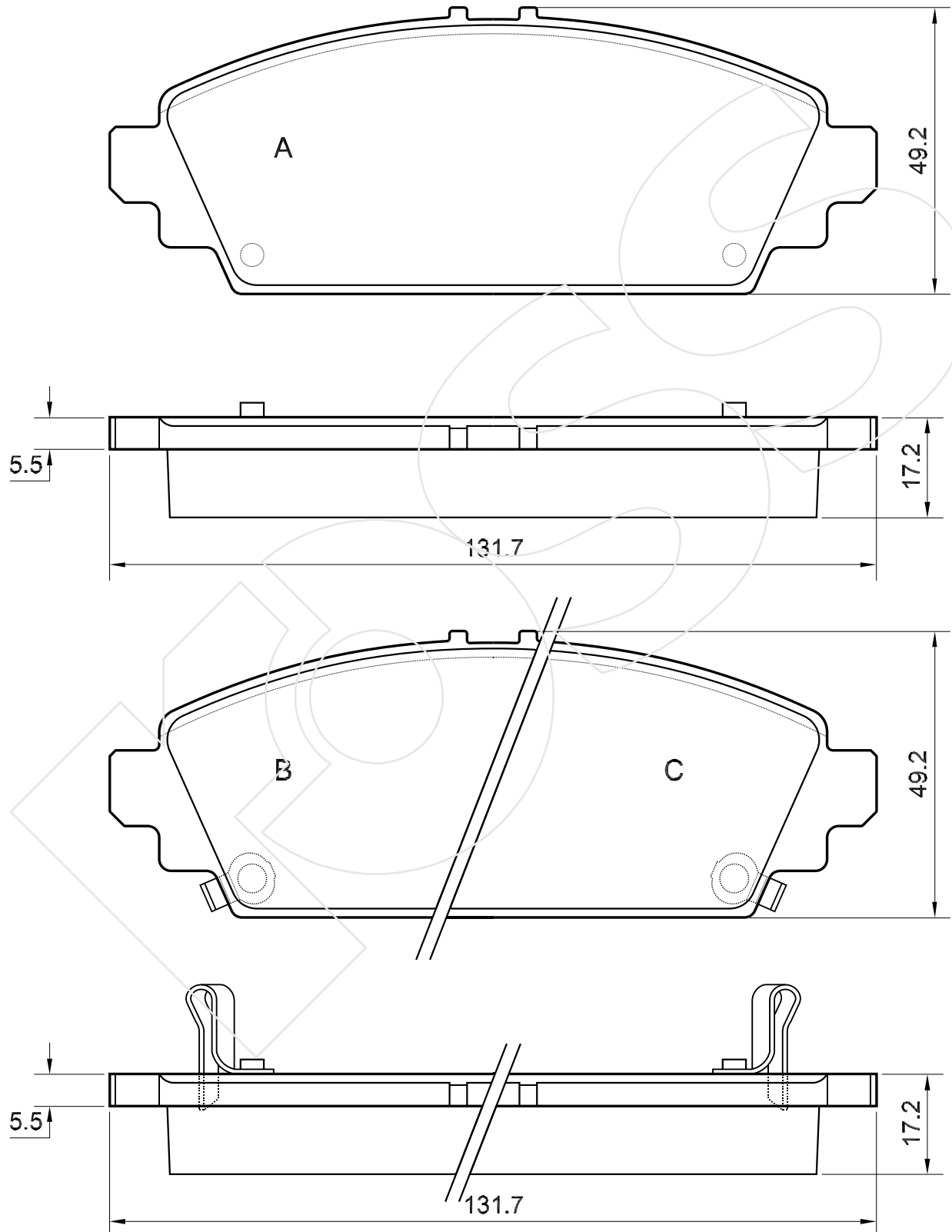
CODICE	IMPIANTO		ASSE	SCALA	APPLICAZIONI
<b>R-903</b>	*		ANTERIORE	100%	MAZDA MITSUBISHI
CODICE COMPONENTI	N°	L(mm)	SERIE		
M0251	2	*	4 PEZZI		
*	*	*	*		
*	*	*	*		
*	*	*	*		
CODICE ACCESSORI	N°	L(mm)	NOTE		
*	*	*	*		
*	*	*	*		
*	*	*	*		
*	*	*	*		



Reference in this Catalogue to other manufactures and to part numbers and other descriptions are for identification purposes only, because the above DISC BRAKE PADS are NOT ORIGINAL but with these interchangeable.



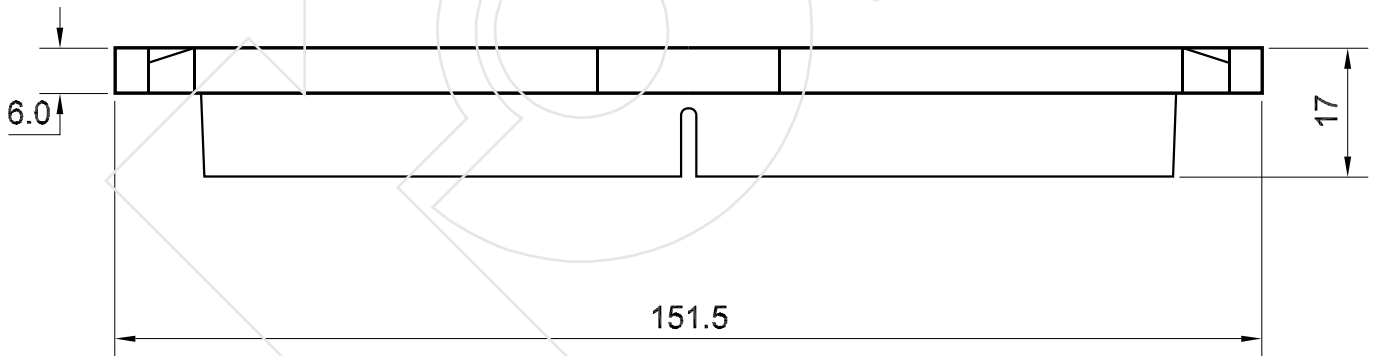
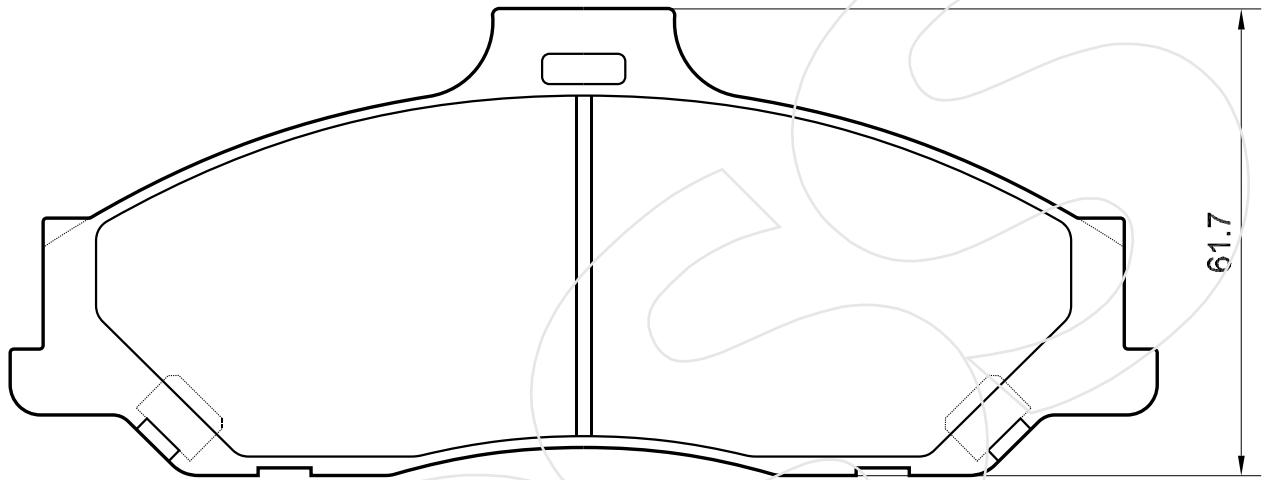
CODICE	IMPIANTO	ASSE	SCALA	APPLICAZIONI
<b>R-904</b>	GIRLING	ANTERIORE	100%	HONDA
CODICE COMPONENTI	N°	L(mm)	SERIE	
*	*	*	2 PEZZI TIPO A	
M0202	1	*	1 PEZZO TIPO B	
M0202	1	*	1 PEZZO TIPO C	
*	*	*	*	
CODICE ACCESSORI	N°	L(mm)	NOTE	
*	*	*		
*	*	*		
*	*	*		
*	*	*		



Reference in this Catalogue to other manufactures and to part numbers and other descriptions are for identification purposes only, because the above DISC BRAKE PADS are NOT ORIGINAL but with these interchangeable.

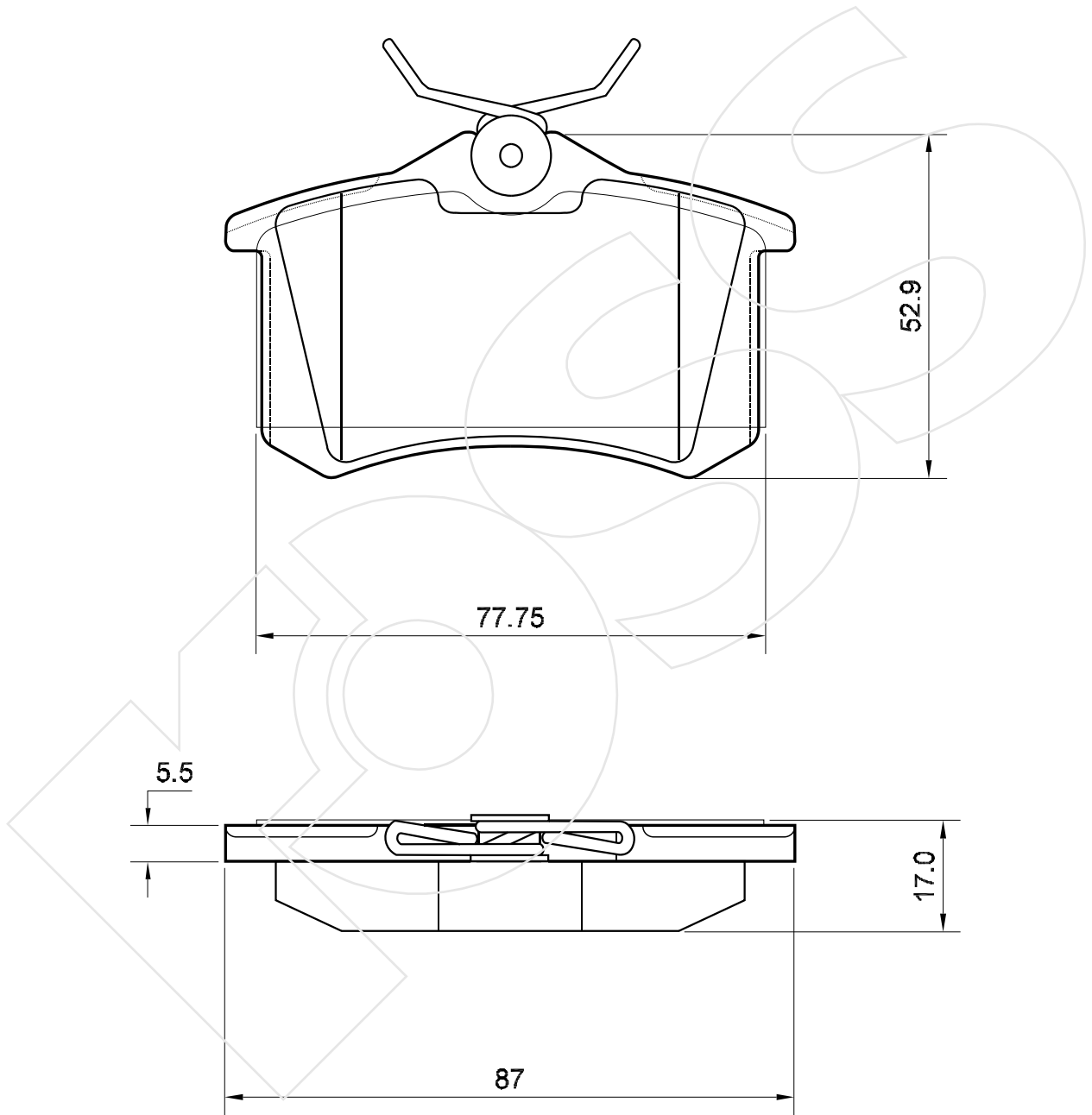
CODICE	IMPIANTO		ASSE	SCALA	APPLICAZIONI
<b>R-905</b>	KELSEY-HAYES		ANTERIORE	100%	FORD
CODICE COMPONENTI	N°	L(mm)	SERIE		
M0251	2	*	4 PEZZI		
*	*	*	*		
*	*	*	*		
*	*	*	*		
CODICE ACCESSORI	N°	L(mm)	NOTE		
*	*	*			
*	*	*			
*	*	*			
*	*	*			

MAZDA



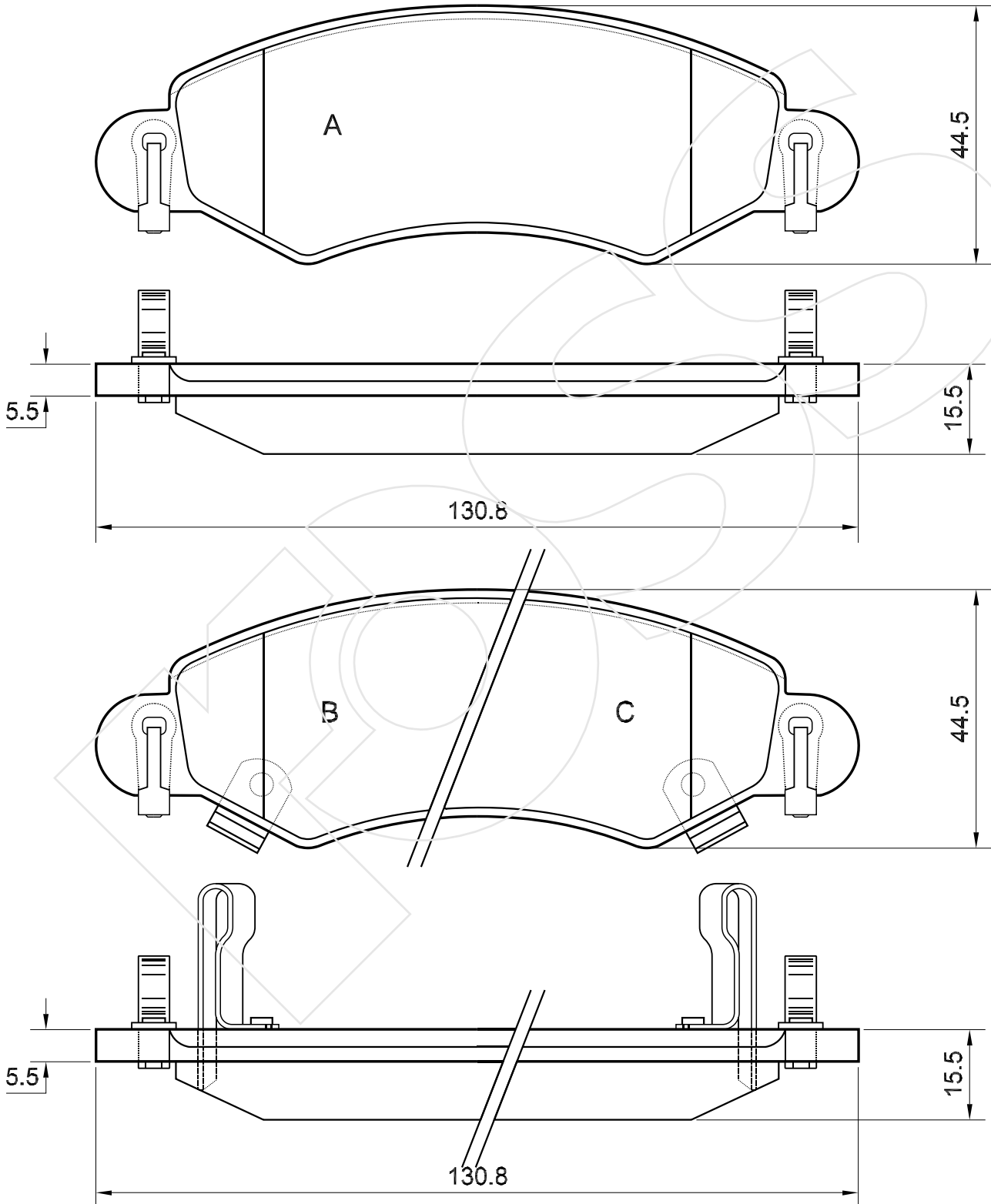
Reference in this Catalogue to other manufactures and to part numbers and other descriptions are for identification purposes only, because the above DISC BRAKE PADS are NOT ORIGINAL but with these interchangeable.

CODICE	IMPIANTO	ASSE	SCALA	APPLICAZIONI
<b>R-906</b>	LUCAS	POSTERIORE	100%	AUDI
CODICE COMPONENTI	N°	L(mm)	SERIE	
M0015+P1004+ANT.	4+4+4	*	4 PEZZI	
*	*	*	*	
*	*	*	*	
*	*	*	*	
CODICE ACCESSORI	N°	L(mm)	NOTE	
*	*	*		
*	*	*		
*	*	*		
*	*	*		



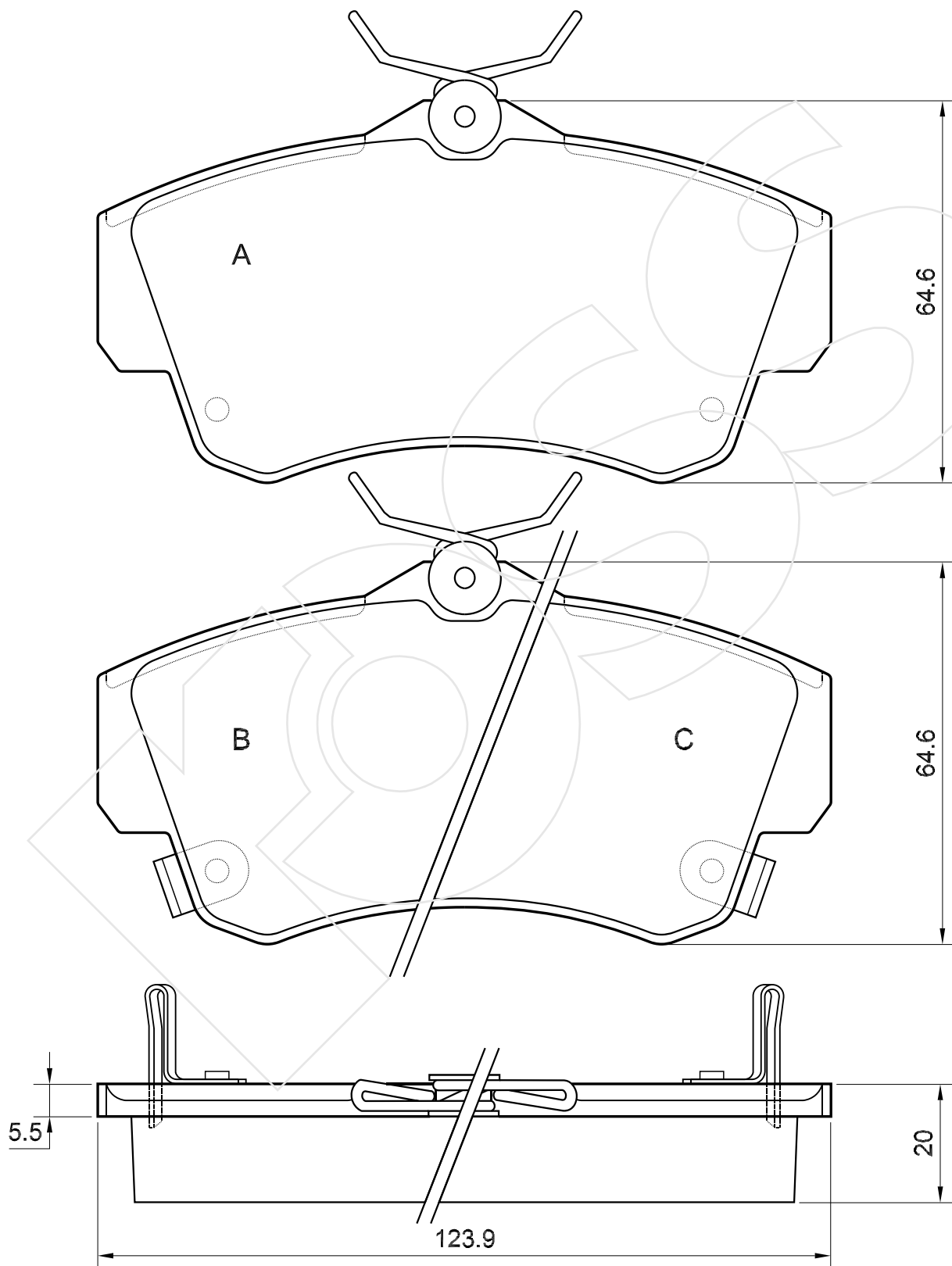
Reference in this Catalogue to other manufactures and to part numbers and other descriptions are for identification purposes only, because the above DISC BRAKE PADS are NOT ORIGINAL but with these interchangeable.

CODICE	IMPIANTO	ASSE	SCALA	APPLICAZIONI
<b>R-907</b>	BOSCH	ANTERIORE	100%	OPEL
CODICE COMPONENTI	N°	L(mm)	SERIE	
M0229	4	*	2 PEZZI TIPO A	
M0177+M0229	2+2	*	1 PEZZO TIPO B	
M0177+M0229	2+2	*	1 PEZZO TIPO C	
*	*	*	*	
CODICE ACCESSORI	N°	L(mm)	NOTE	
*	*	*		
*	*	*		
*	*	*		
*	*	*		



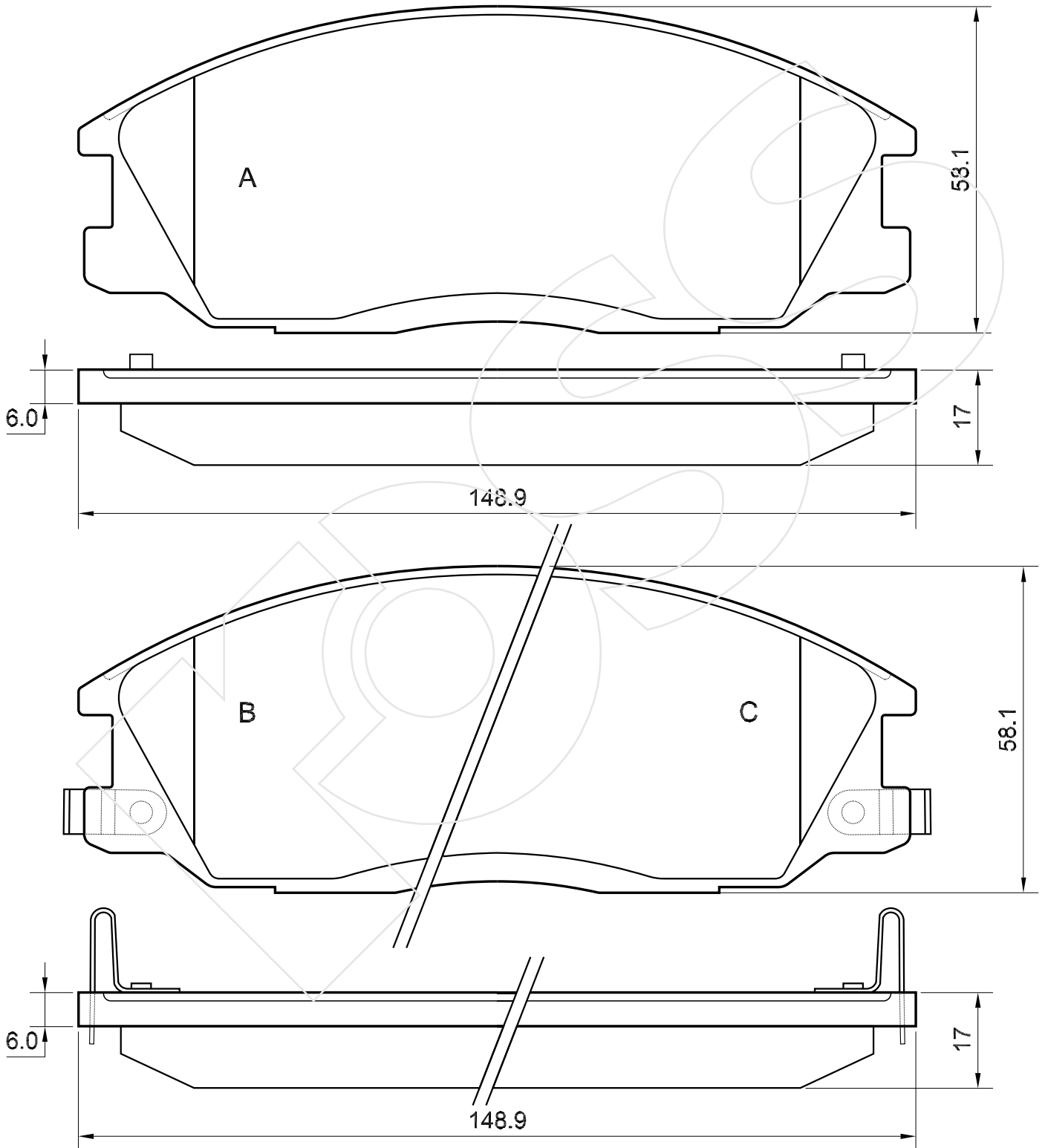
Reference in this Catalogue to other manufactures and to part numbers and other descriptions are for identification purposes only, because the above DISC BRAKE PADS are NOT ORIGINAL but with these interchangeable.

CODICE	IMPIANTO		ASSE	SCALA	APPLICAZIONI
<b>R-908</b>	LUCAS		ANTERIORE	100%	CHRYSLER
CODICE COMPONENTI	N°	L(mm)	SERIE		
M0015	2	*	2 PEZZI TIPO A		
M0015+M0261	1+1	*	1 PEZZO TIPO B		
M0015+M0261	1+1	*	1 PEZZO TIPO C		
*	*	*	*		
CODICE ACCESSORI	N°	L(mm)	NOTE		
*	*	*			
*	*	*			
*	*	*			
*	*	*			



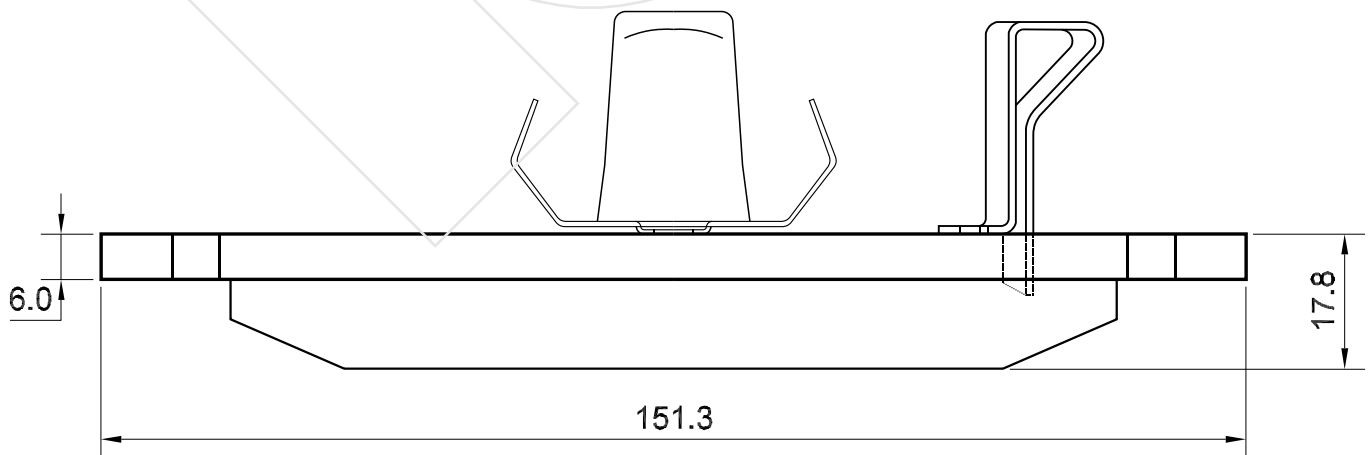
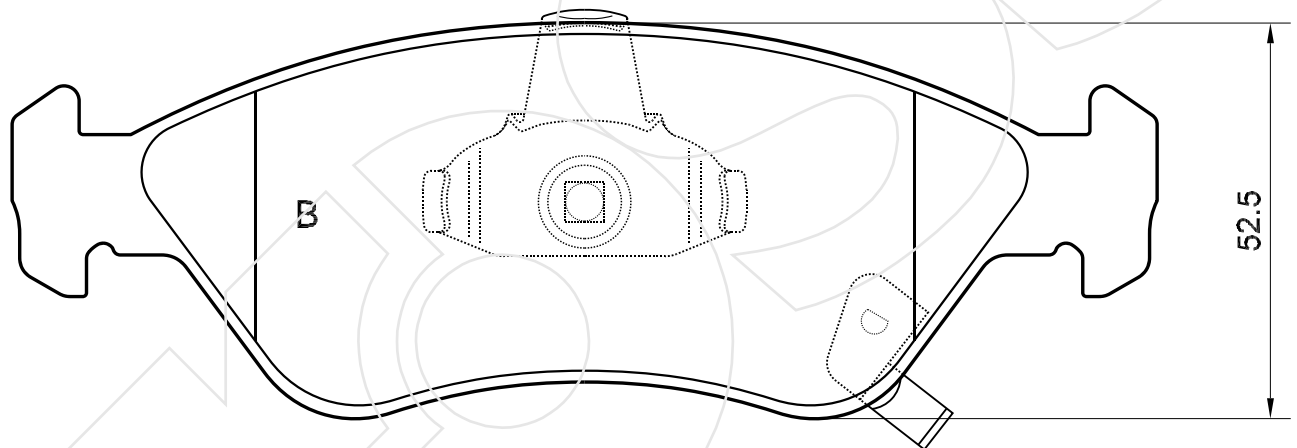
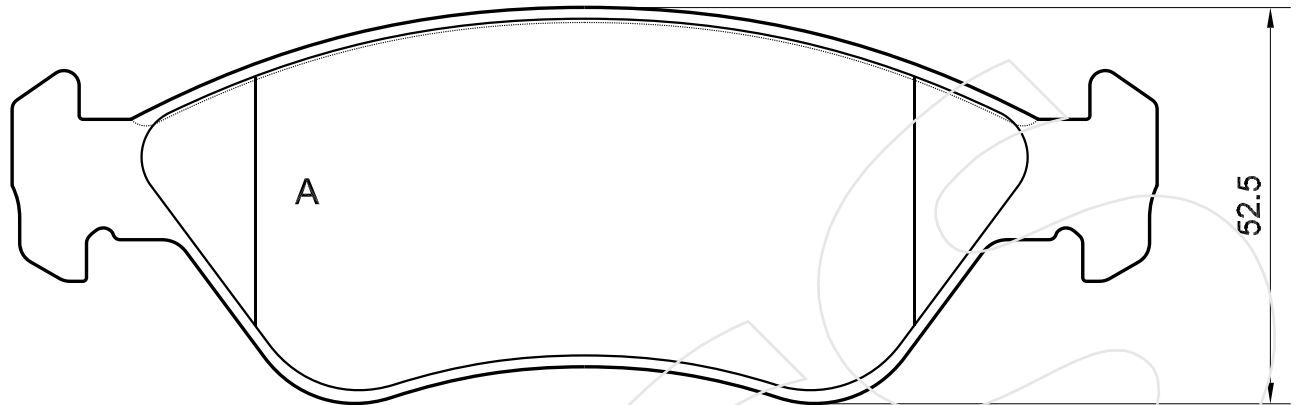
Reference in this Catalogue to other manufactures and to part numbers and other descriptions are for identification purposes only, because the above DISC BRAKE PADS are NOT ORIGINAL but with these interchangeable.

CODICE	IMPIANTO		ASSE	SCALA	APPLICAZIONI
<b>R-909</b>	*		ANTERIORE	100%	HYUNDAI
CODICE COMPONENTI	N°	L(mm)	SERIE		
*	*	*	2 PEZZI TIPO A		
M0074	1	*	1 PEZZO TIPO B		
M0074	1	*	1 PEZZO TIPO C		
*	*	*	*		
CODICE ACCESSORI	N°	L(mm)	NOTE		
*	*	*			
*	*	*			
*	*	*			
*	*	*			



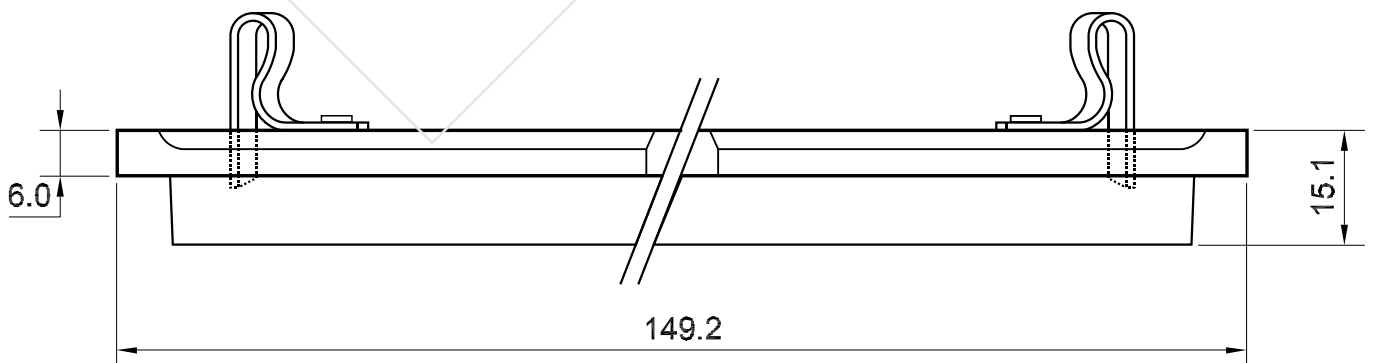
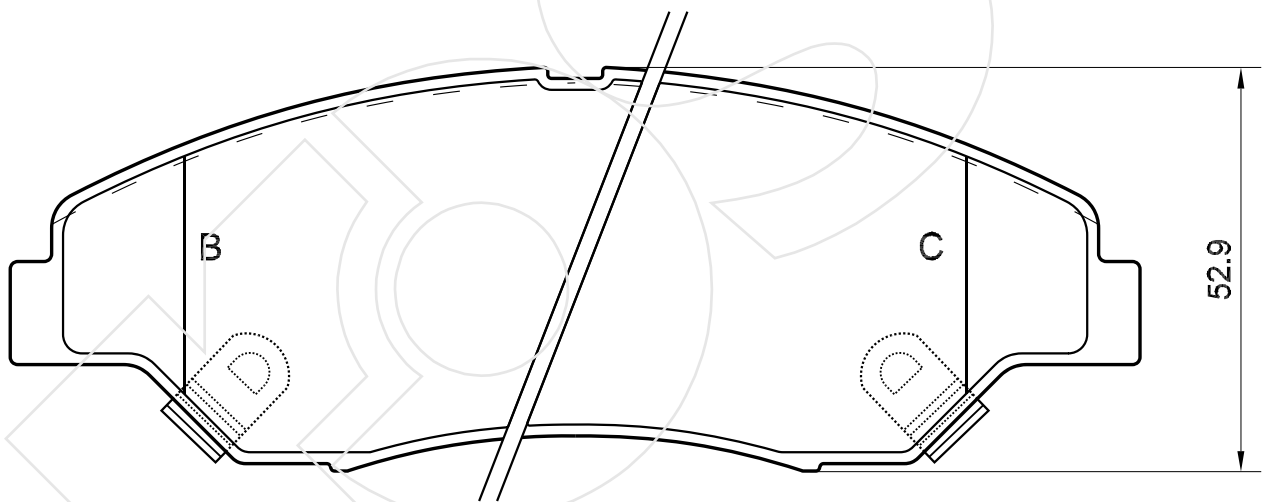
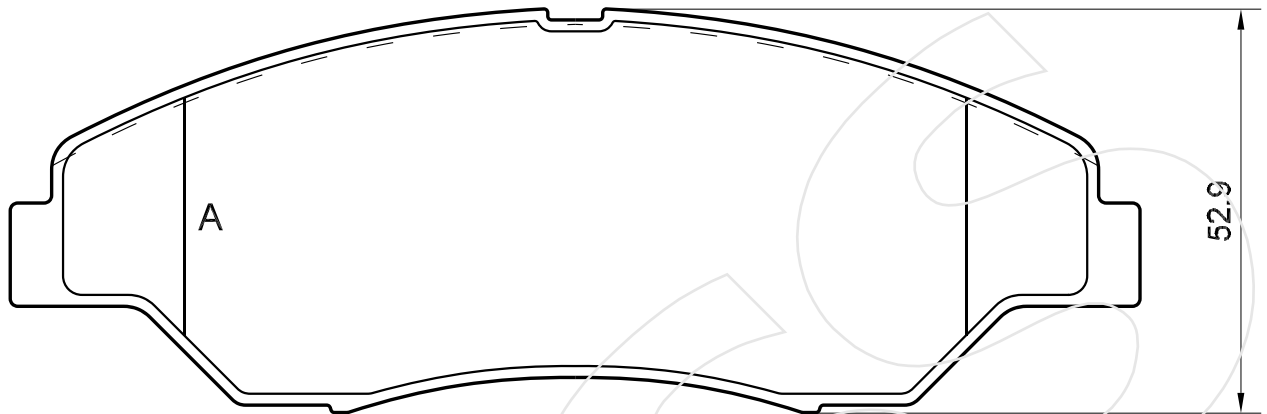
Reference in this Catalogue to other manufactures and to part numbers and other descriptions are for identification purposes only, because the above DISC BRAKE PADS are NOT ORIGINAL but with these interchangeable.

CODICE	IMPIANTO		ASSE	SCALA	APPLICAZIONI
<b>R-910</b>	ATE		ANTERIORE	100%	KIA
CODICE COMPONENTI	N°	L(mm)	SERIE		
*	*	*	2 PEZZI TIPO A		
M0132+M0114	2+2	*	2 PEZZI TIPO B		
*	*	*	*		
*	*	*	*		
CODICE ACCESSORI	N°	L(mm)	NOTE		
*	*	*			
*	*	*			
*	*	*			
*	*	*			



Reference in this Catalogue to other manufactures and to part numbers and other descriptions are for identification purposes only, because the above DISC BRAKE PADS are NOT ORIGINAL but with these interchangeable.

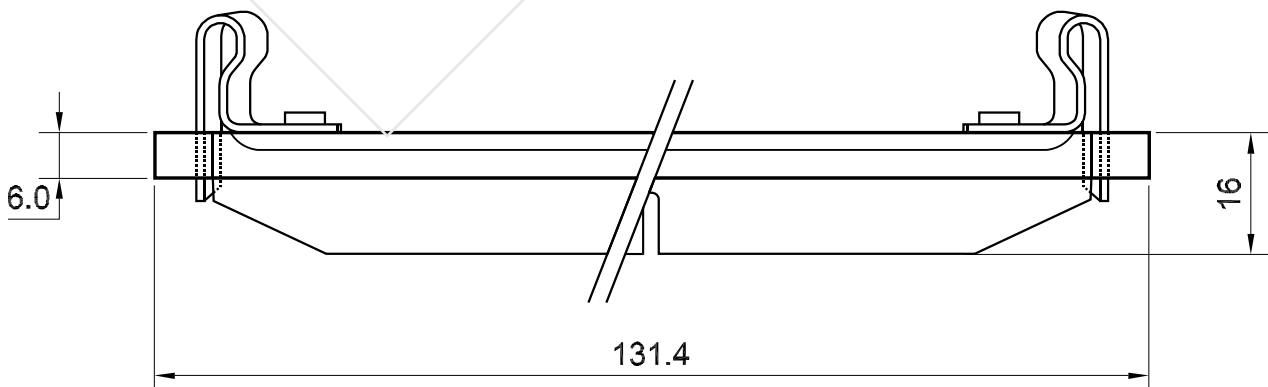
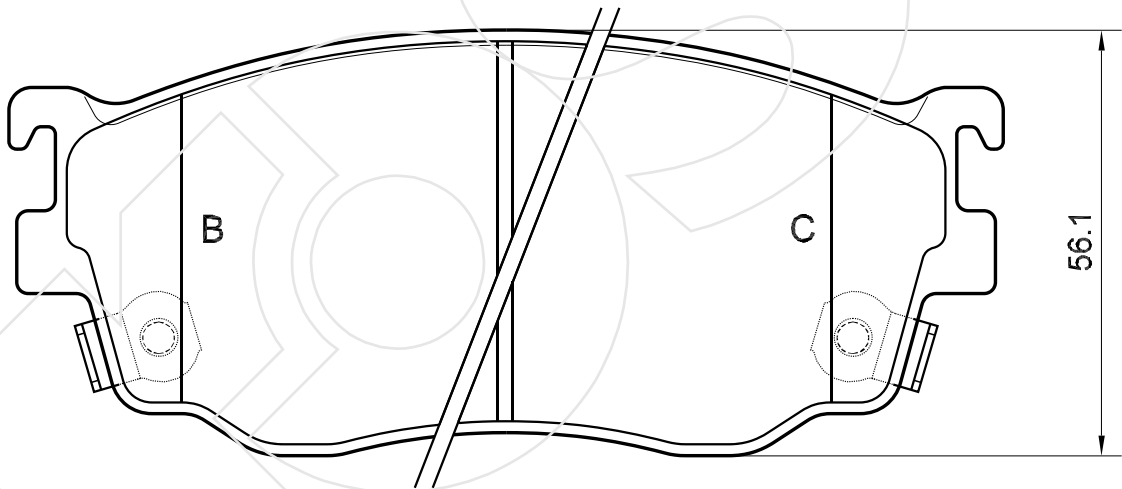
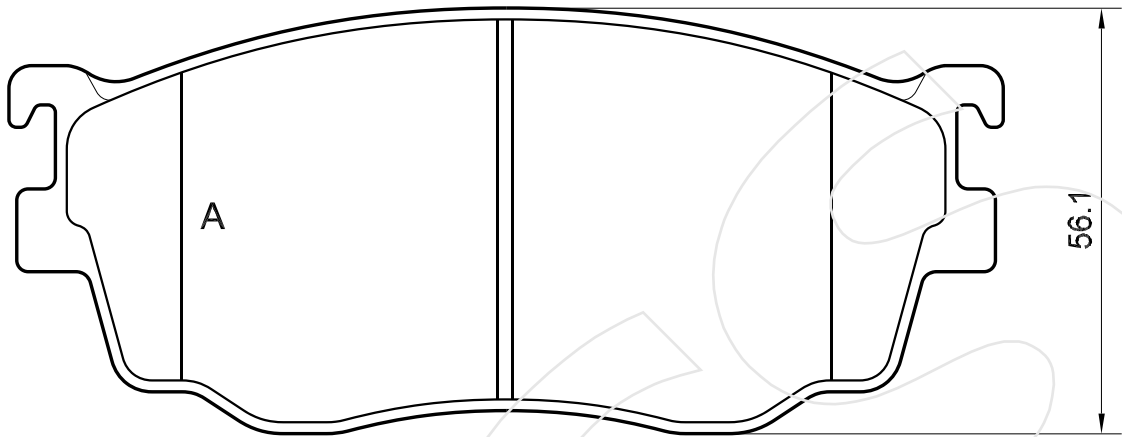
CODICE	IMPIANTO		ASSE	SCALA	APPLICAZIONI
<b>R-911</b>	*		ANTERIORE	100%	KIA
CODICE COMPONENTI	N°	L(mm)	SERIE		
*	*	*	2 PEZZI TIPO A		
M0070	1	*	1 PEZZO TIPO B		
M0070	1	*	1 PEZZO TIPO C		
*	*	*	*		
CODICE ACCESSORI	N°	L(mm)	NOTE		
*	*	*			
*	*	*			
*	*	*			
*	*	*			



Reference in this Catalogue to other manufactures and to part numbers and other descriptions are for identification purposes only, because the above DISC BRAKE PADS are NOT ORIGINAL but with these interchangeable.

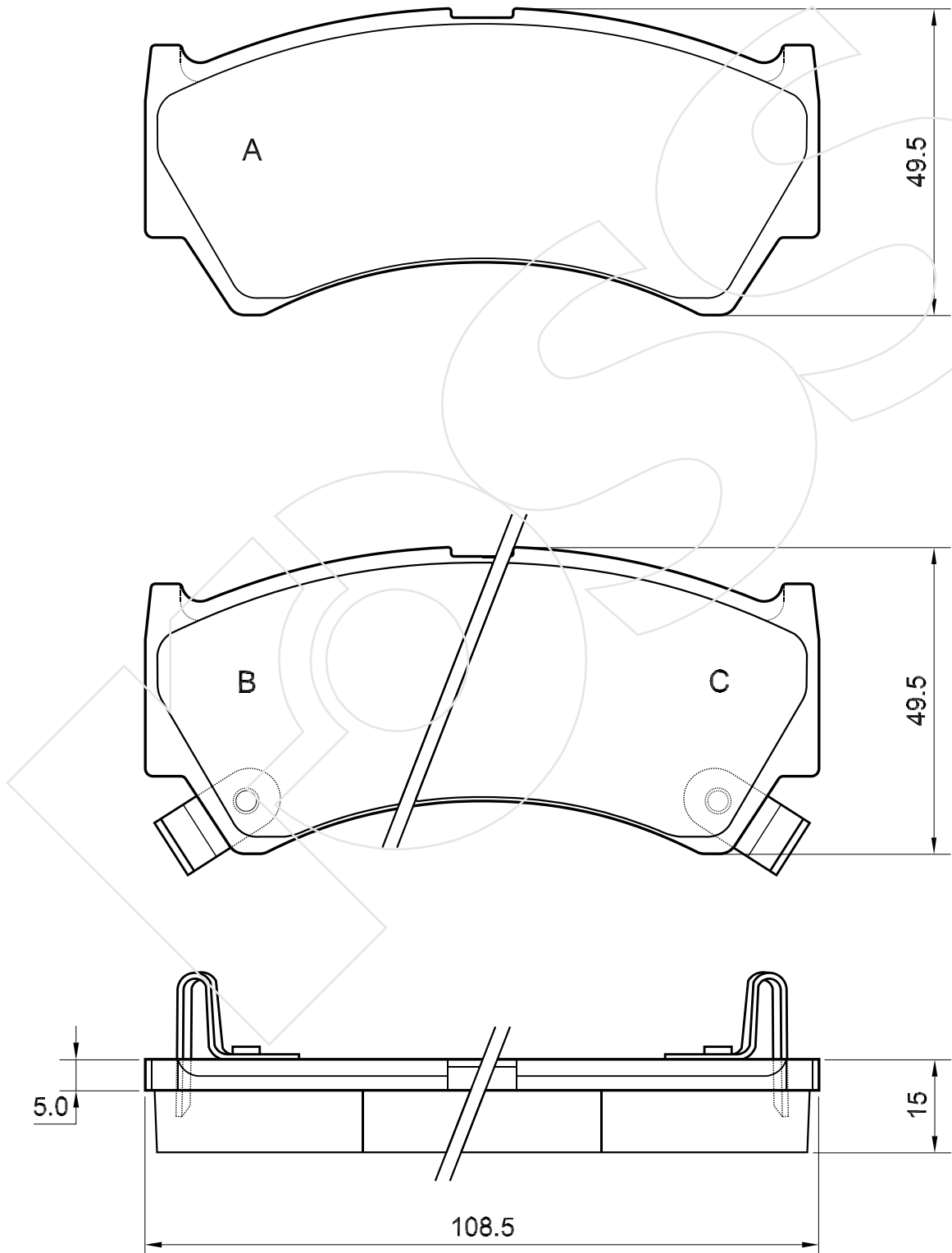


CODICE	IMPIANTO		ASSE	SCALA	APPLICAZIONI
<b>R-912</b>	SUMITOMO		ANTERIORE	100%	MAZDA
CODICE COMPONENTI	N°	L(mm)	SERIE		
*	*	*	2 PEZZI TIPO A		
M0199	1	*	1 PEZZO TIPO B		
M0199	1	*	1 PEZZO TIPO C		
*	*	*	*		
CODICE ACCESSORI	N°	L(mm)	NOTE		
*	*	*			
*	*	*			
*	*	*			
*	*	*			



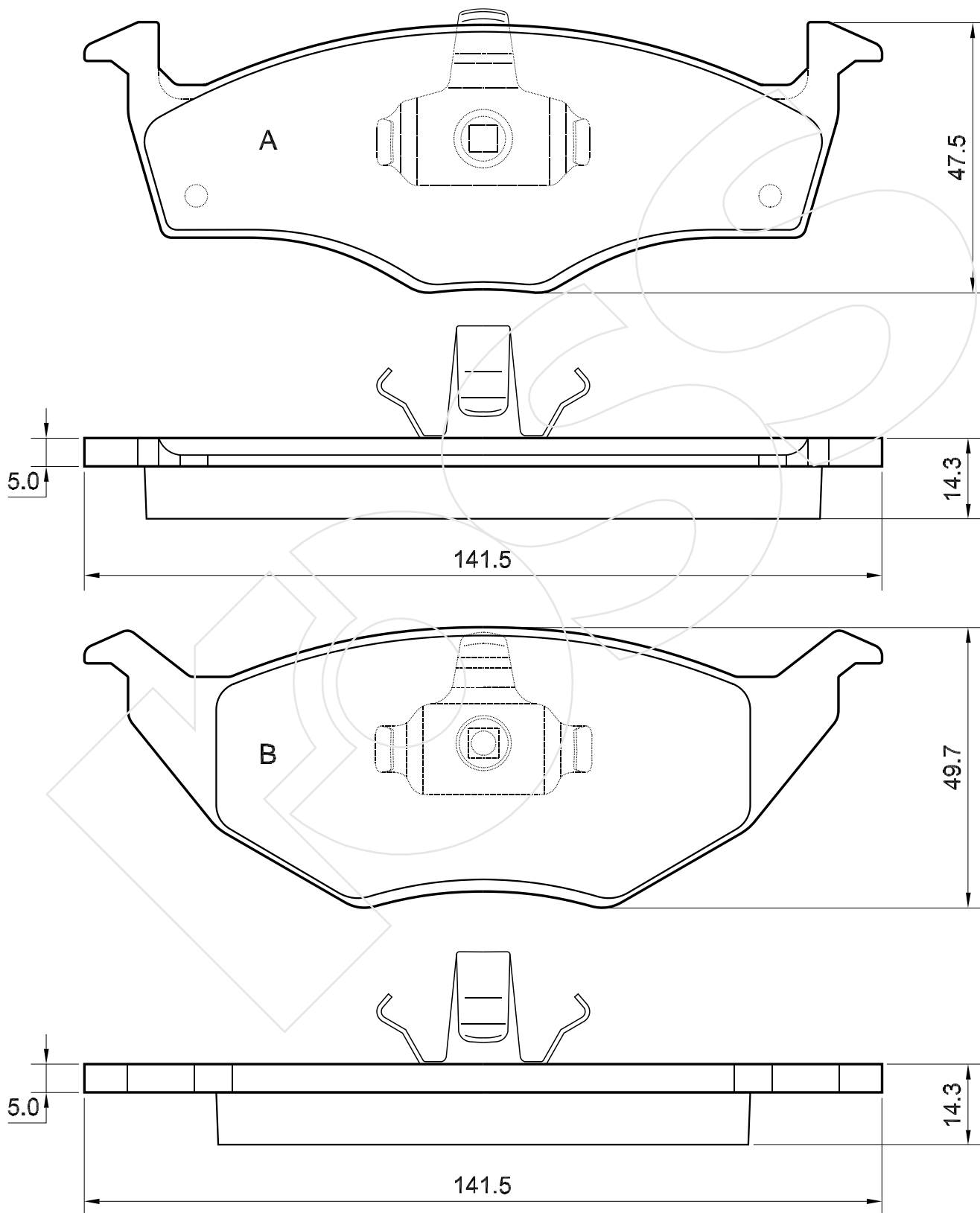
Reference in this Catalogue to other manufactures and to part numbers and other descriptions are for identification purposes only, because the above DISC BRAKE PADS are NOT ORIGINAL but with these interchangeable.

CODICE	IMPIANTO		ASSE	SCALA	APPLICAZIONI
<b>R-913</b>	SUMITOMO		ANTERIORE	100%	SUZUKI
CODICE COMPONENTI	N°	L(mm)	SERIE		
*	*	*	2 PEZZI TIPO A		
M	1	*	1 PEZZO TIPO B		
M	1	*	1 PEZZO TIPO C		
*	*	*	*		
CODICE ACCESSORI	N°	L(mm)	NOTE		
*	*	*			
*	*	*			
*	*	*			
*	*	*			



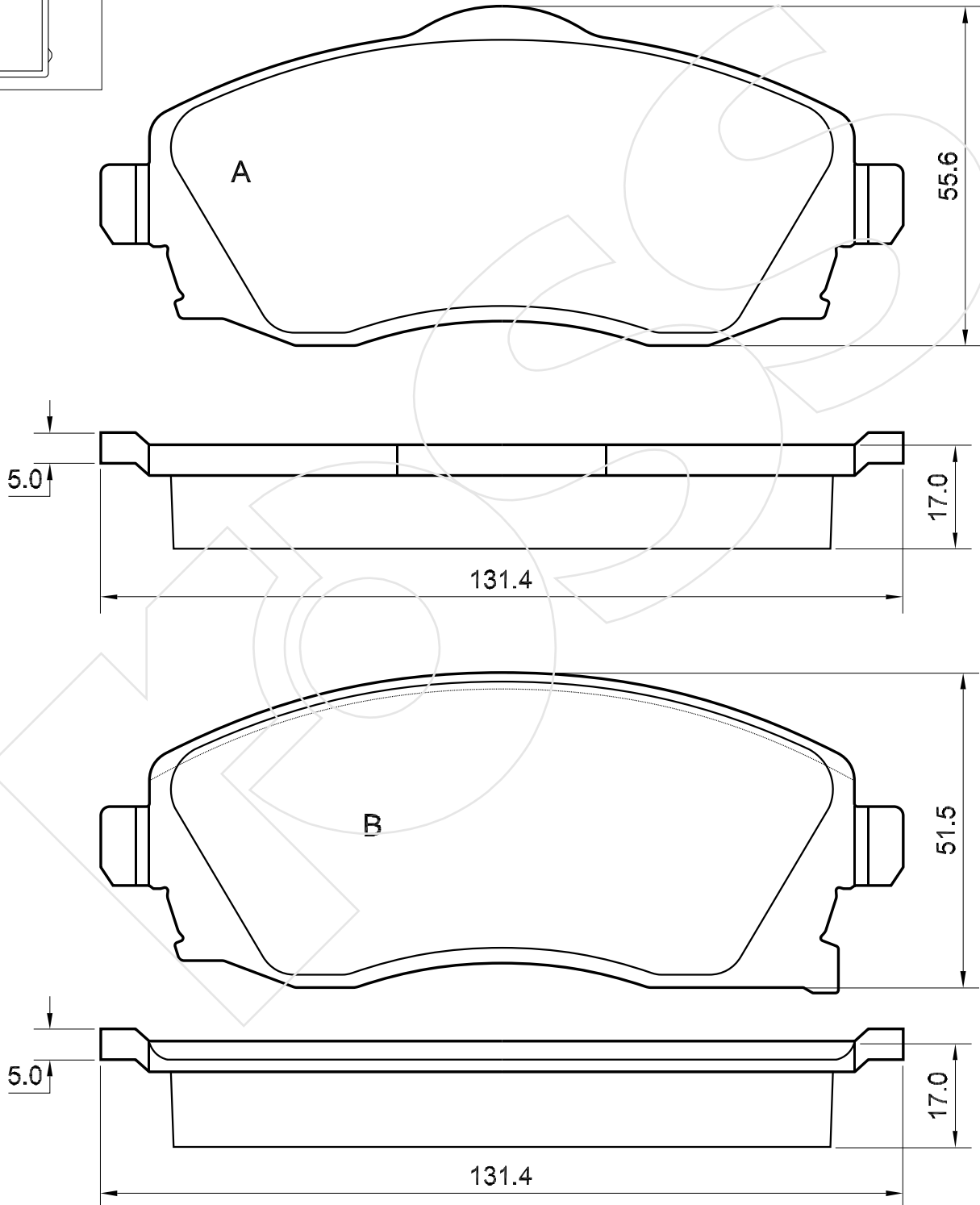
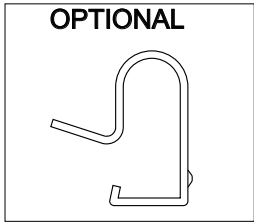
Reference in this Catalogue to other manufactures and to part numbers and other descriptions are for identification purposes only, because the above DISC BRAKE PADS are NOT ORIGINAL but with these interchangeable.

CODICE	IMPIANTO		ASSE	SCALA	APPLICAZIONI
<b>R-914</b>	KELSEY-HAYES		ANTERIORE	100%	VOLKSWAGEN
CODICE COMPONENTI	N°	L(mm)	SERIE		
M0127	2	*	2 PEZZI TIPO A		
M0249	2	*	2 PEZZI TIPO B		
*	*	*	*		
*	*	*	*		
CODICE ACCESSORI	N°	L(mm)	NOTE		
*	*	*			
*	*	*			
*	*	*			
*	*	*			

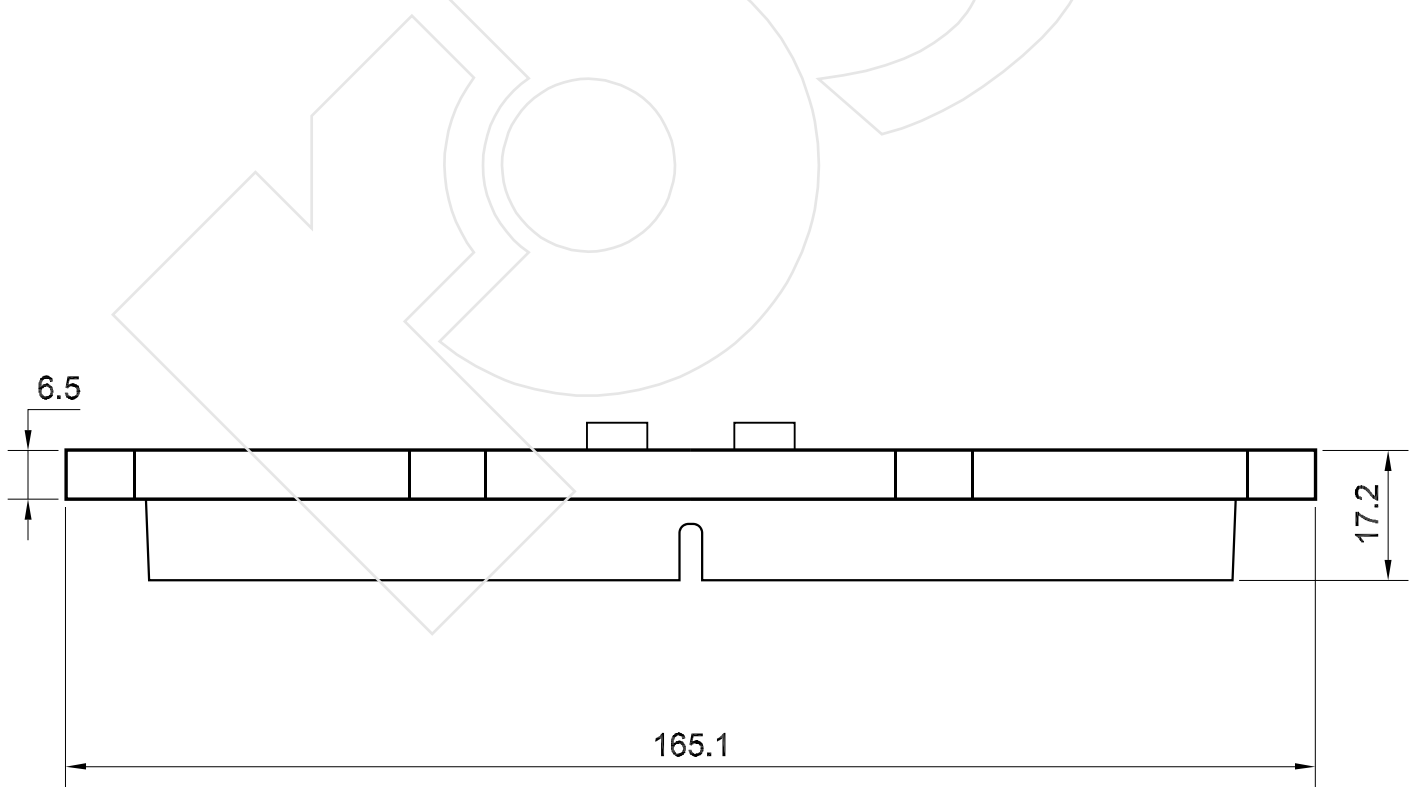
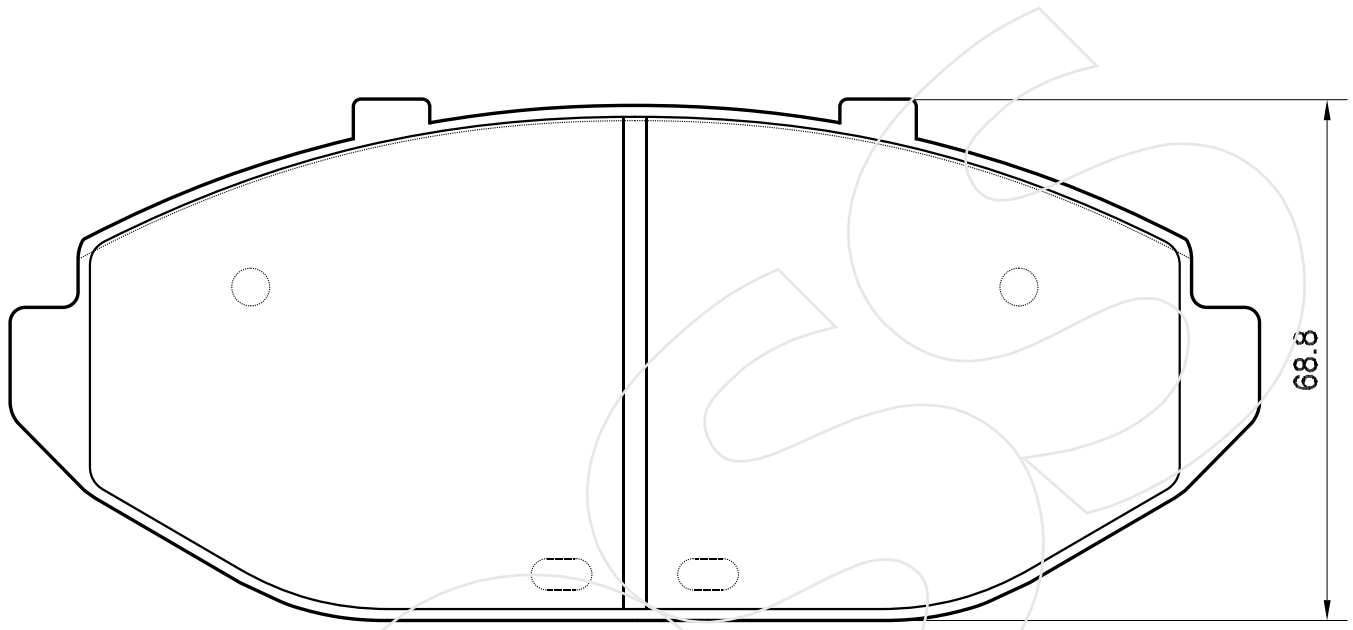


Reference in this Catalogue to other manufactures and to part numbers and other descriptions are for identification purposes only, because the above DISC BRAKE PADS are NOT ORIGINAL but with these interchangeable.

CODICE	IMPIANTO		ASSE	SCALA	APPLICAZIONI
<b>R-915</b>	LUCAS		ANTERIORE	100%	OPEL
CODICE COMPONENTI	N°	L(mm)	SERIE		
*	*	*	2 PEZZI TIPO A		
*	*	*	2 PEZZI TIPO B		
*	*	*	*		
*	*	*	*		
OPTIONAL	N°	L(mm)	NOTE		
M0256	2	*			
*	*	*			
*	*	*			
*	*	*			

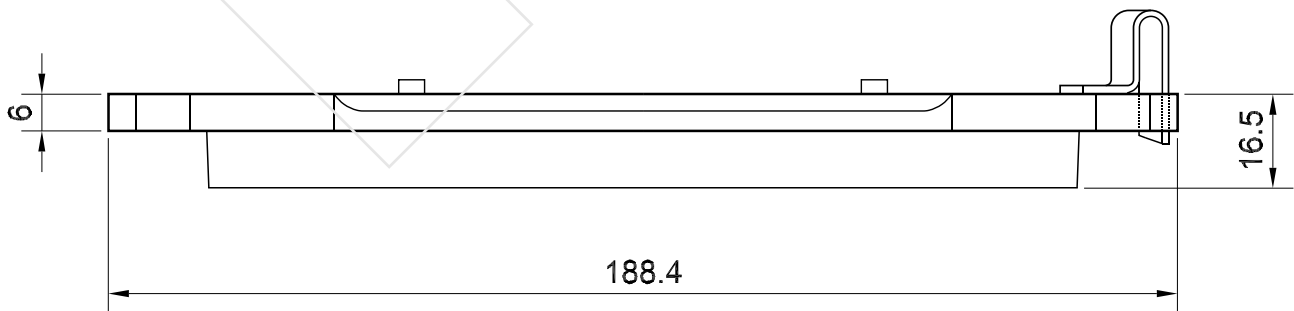
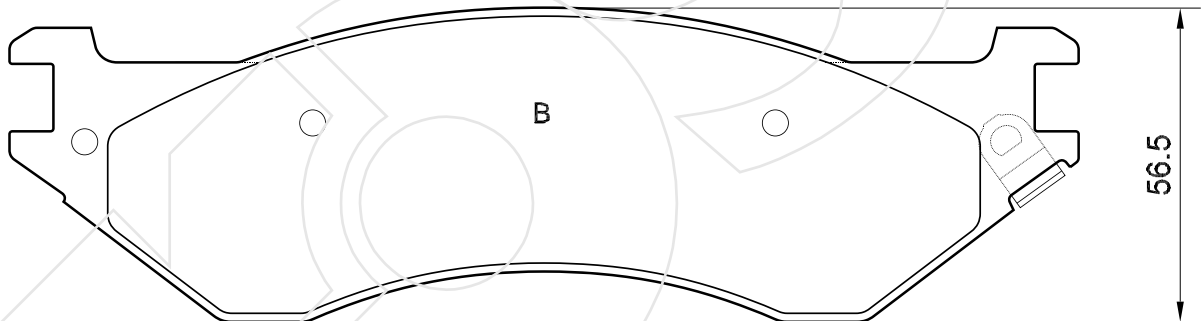
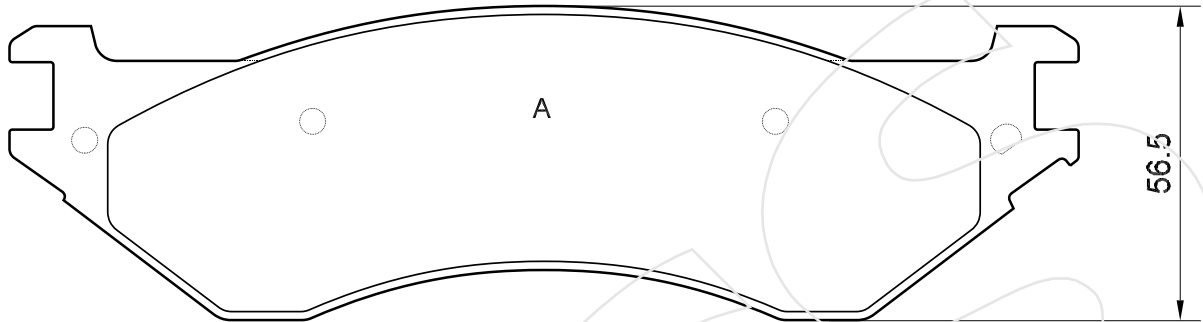


CODICE	IMPIANTO	ASSE	SCALA	APPLICAZIONI
<b>R-916</b>	BENDIX	ANTERIORE	100%	FORD (USA)
CODICE COMPONENTI	N°	L(mm)	SERIE	LINCOLN
*	*	*	4 PEZZI	MERCURY
*	*	*	*	
*	*	*	*	
*	*	*	*	
CODICE ACCESSORI	N°	L(mm)	NOTE	
*	*	*		
*	*	*		
*	*	*		
*	*	*		



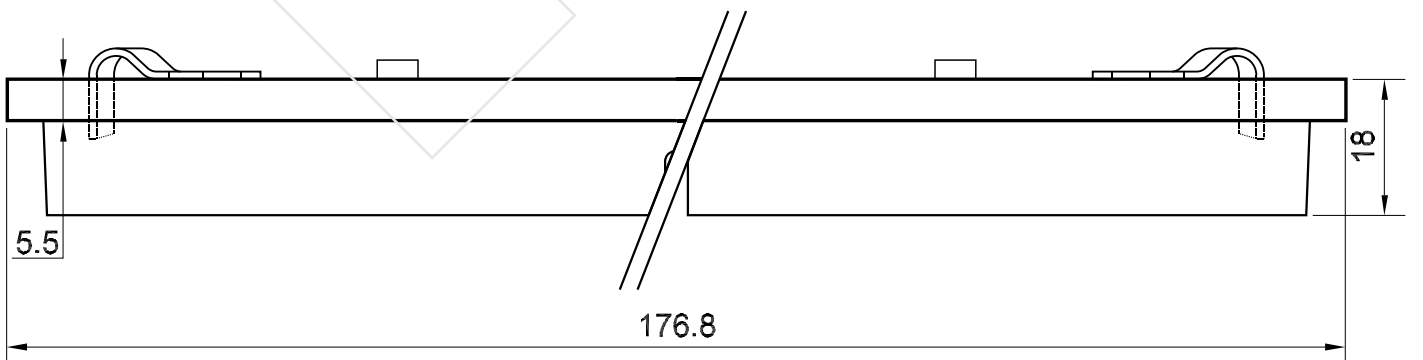
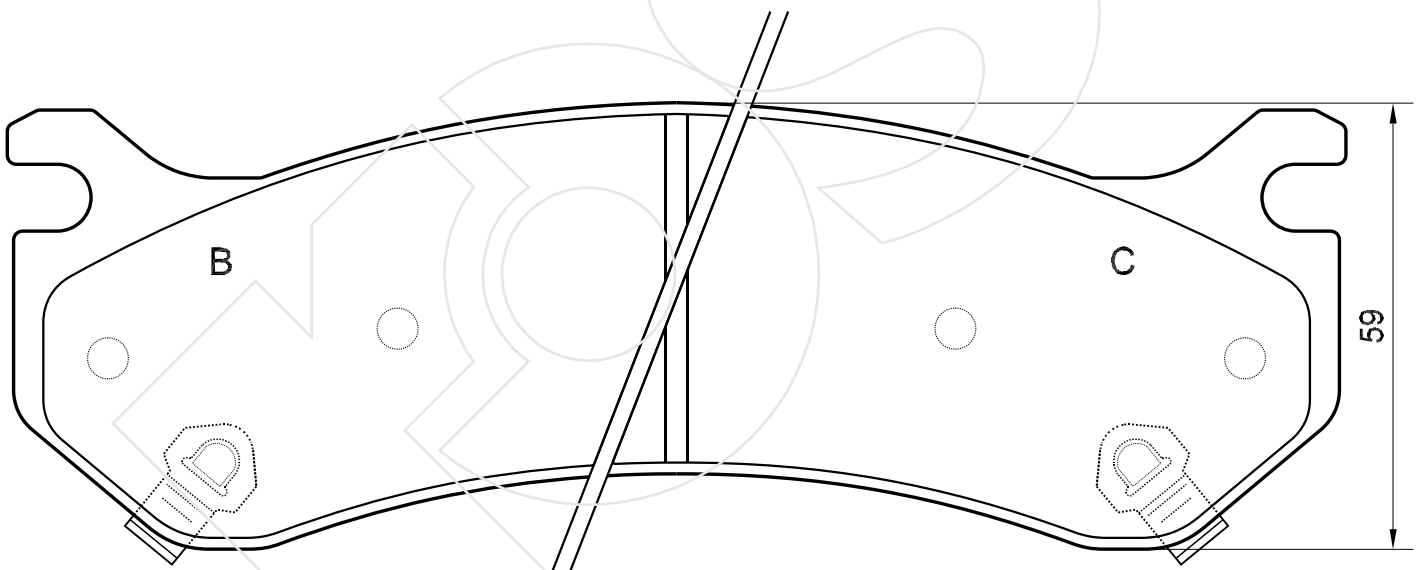
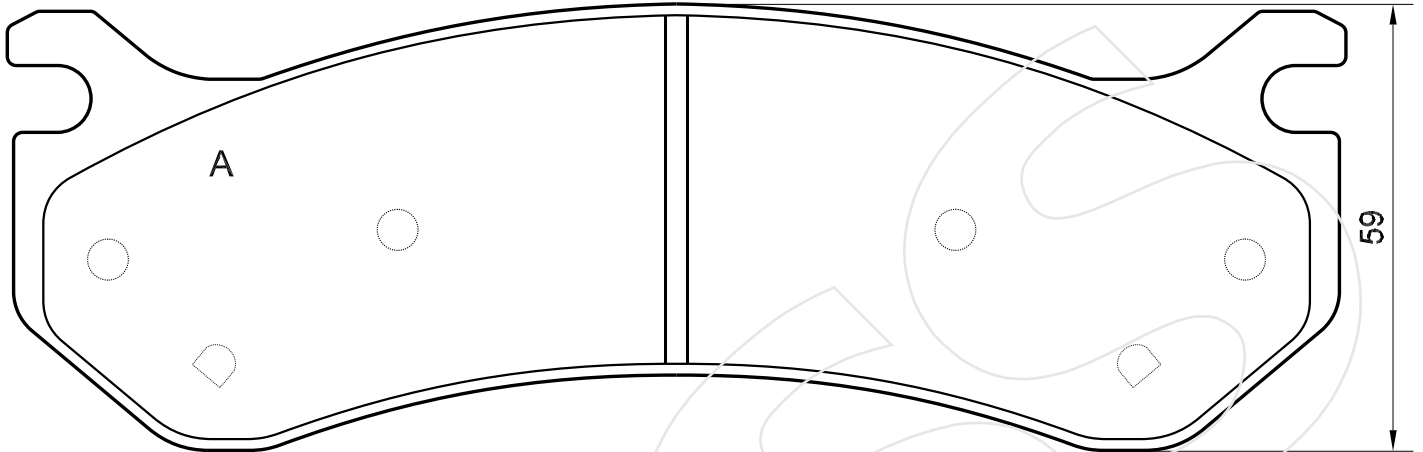
Reference in this Catalogue to other manufactures and to part numbers and other descriptions are for identification purposes only, because the above DISC BRAKE PADS are NOT ORIGINAL but with these interchangeable.

CODICE	IMPIANTO	ASSE	SCALA	APPLICAZIONI
<b>R-917</b>	KELSEY-HAYES	ANTERIORE/POSTERIORE	75%	FORD TRUCK
CODICE COMPONENTI	N°	L(mm)	SERIE	LINCOLN
*	*	*	2 PEZZI TIPO A	
M0244	2	*	2 PEZZI TIPO B	DODGE TRUCK
*	*	*	*	
*	*	*	*	
CODICE ACCESSORI	N°	L(mm)	NOTE	
*	*	*		
*	*	*		
*	*	*		
*	*	*		



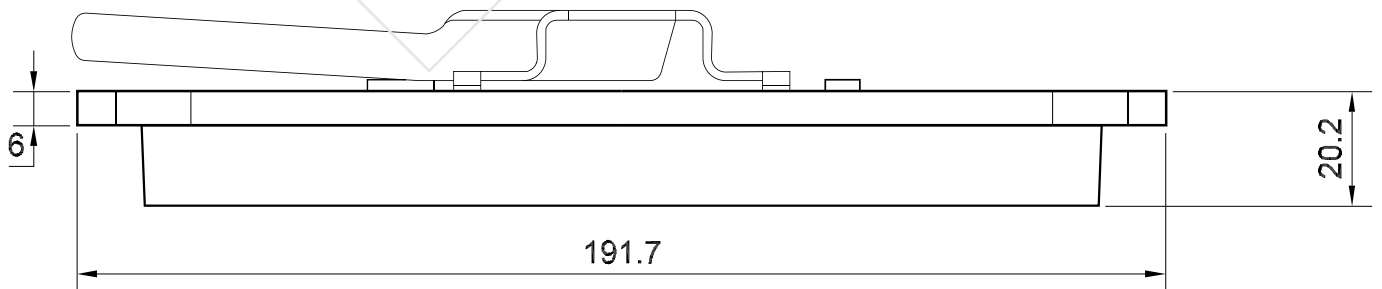
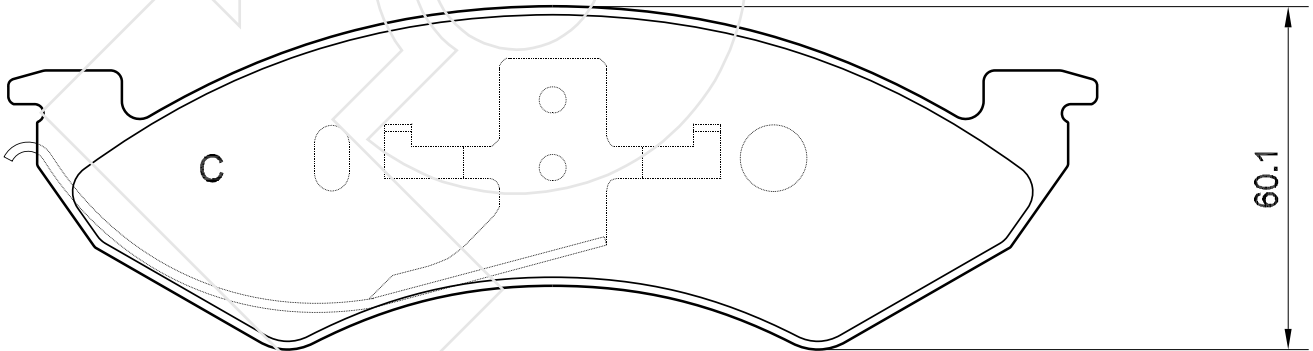
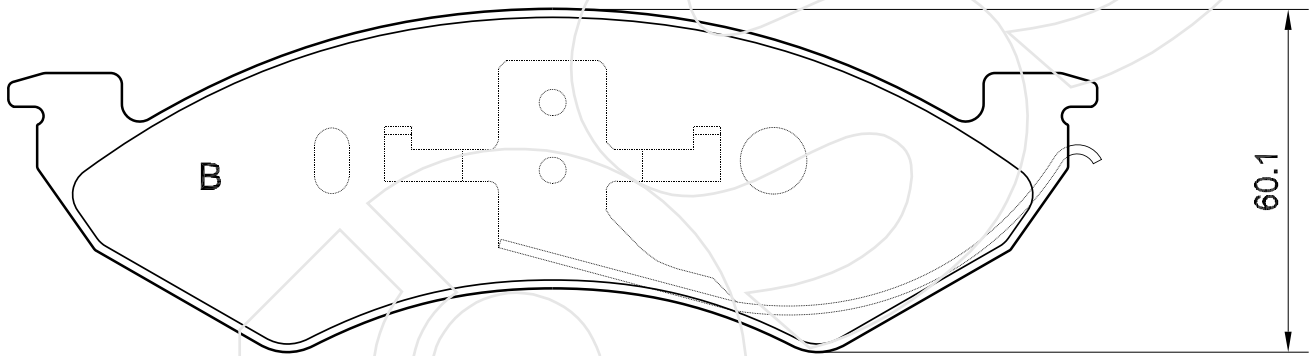
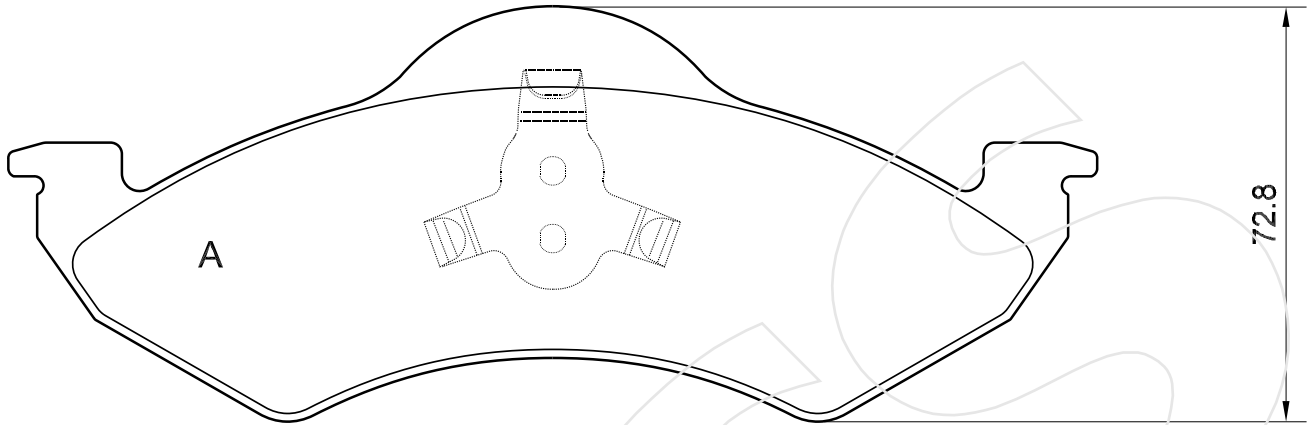
Reference in this Catalogue to other manufactures and to part numbers and other descriptions are for identification purposes only, because the above DISC BRAKE PADS are NOT ORIGINAL but with these interchangeable.

CODICE	IMPIANTO		ASSE	SCALA	APPLICAZIONI
<b>R-918</b>	*		ANTERIORE/POSTERIORE	100%	CHEVROLET TRUCK
CODICE COMPONENTI	N°	L(mm)	SERIE		
*	*	*	2 PEZZI TIPO A		
M0245	1	*	1 PEZZO TIPO B		
M0245	1	*	1 PEZZO TIPO C		
*	*	*	*		
CODICE ACCESSORI	N°	L(mm)	NOTE		
*	*	*			
*	*	*			
*	*	*			
*	*	*			
*	*	*			
*	*	*			



Reference in this Catalogue to other manufactures and to part numbers and other descriptions are for identification purposes only, because the above DISC BRAKE PADS are NOT ORIGINAL but with these interchangeable.

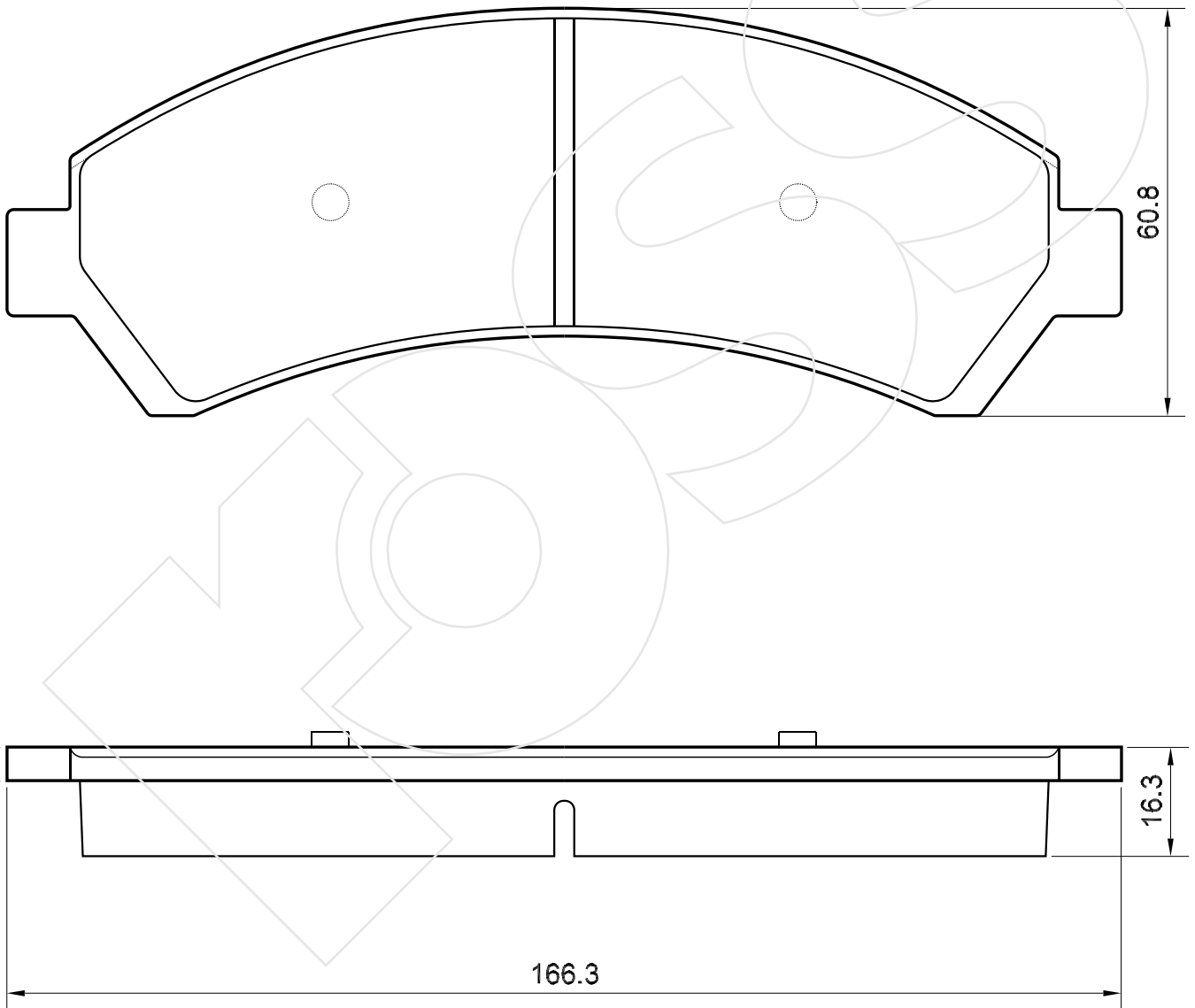
CODICE	IMPIANTO		ASSE	SCALA	APPLICAZIONI
<b>R-919</b>	*		ANTERIORE	75%	DODGE TRUCK
CODICE COMPONENTI	N°	L(mm)	SERIE		
M0248	2	*	2 PEZZI TIPO A		
M0247	1	*	1 PEZZO TIPO B		
M0246	1	*	1 PEZZO TIPO C		
*	*	*	*		
CODICE ACCESSORI	N°	L(mm)	NOTE		
*	*	*			
*	*	*			
*	*	*			
*	*	*			



Reference in this Catalogue to other manufactures and to part numbers and other descriptions are for identification purposes only, because the above DISC BRAKE PADS are NOT ORIGINAL but with these interchangeable.

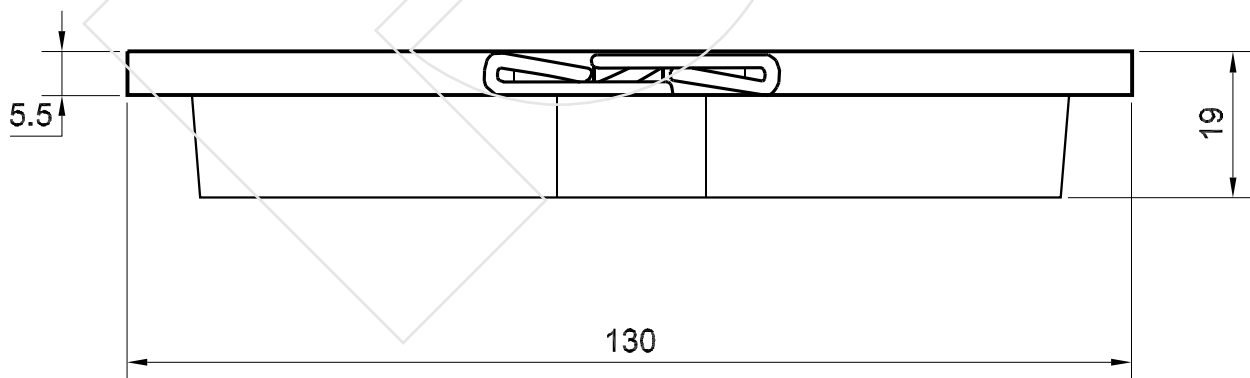
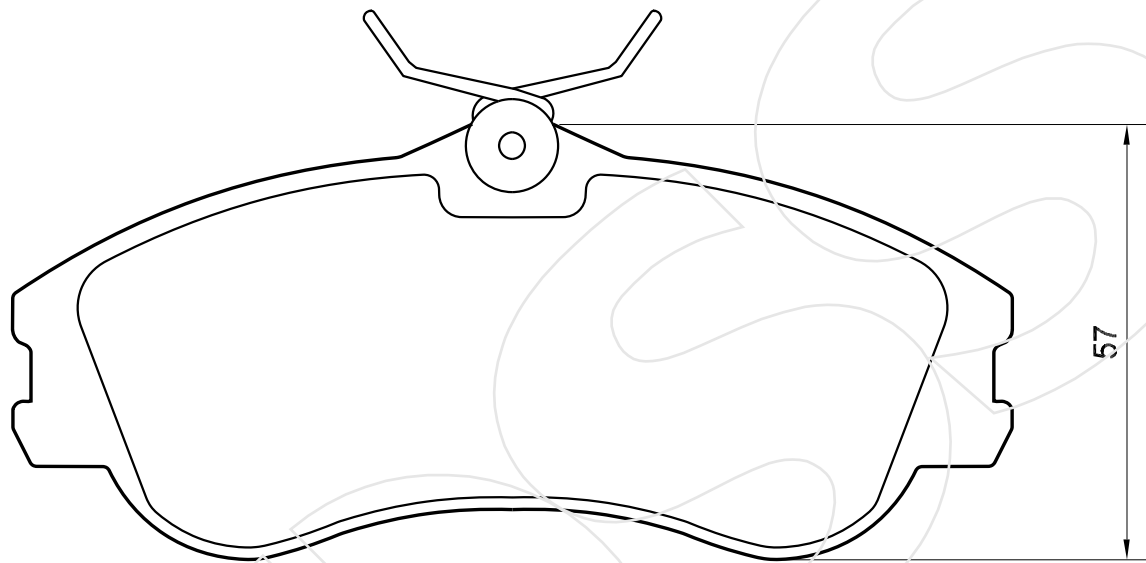


CODICE	IMPIANTO	ASSE	SCALA	APPLICAZIONI
<b>R-920</b>	*	ANTERIORE	100%	CHEVROLET TRUCK
CODICE COMPONENTI	N°	L(mm)	SERIE	GMC TRUCK
*	*	*	4 PEZZI	OLDSMOBILE
*	*	*	*	
*	*	*	*	
CODICE ACCESSORI	N°	L(mm)	NOTE	
*	*	*		
*	*	*		
*	*	*		
*	*	*		



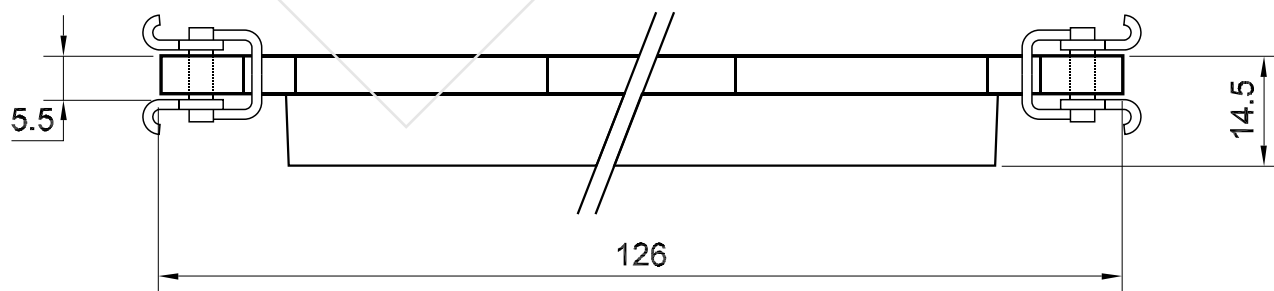
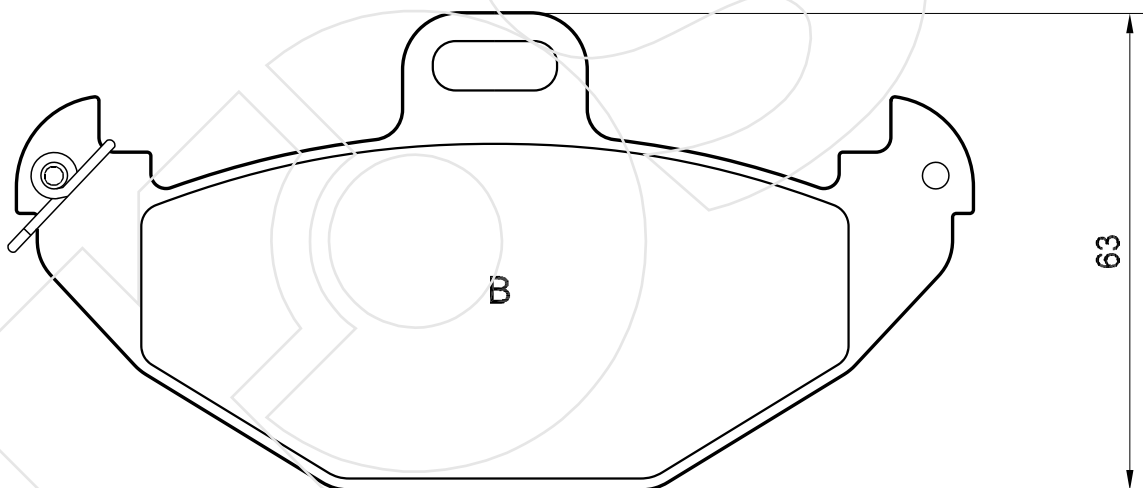
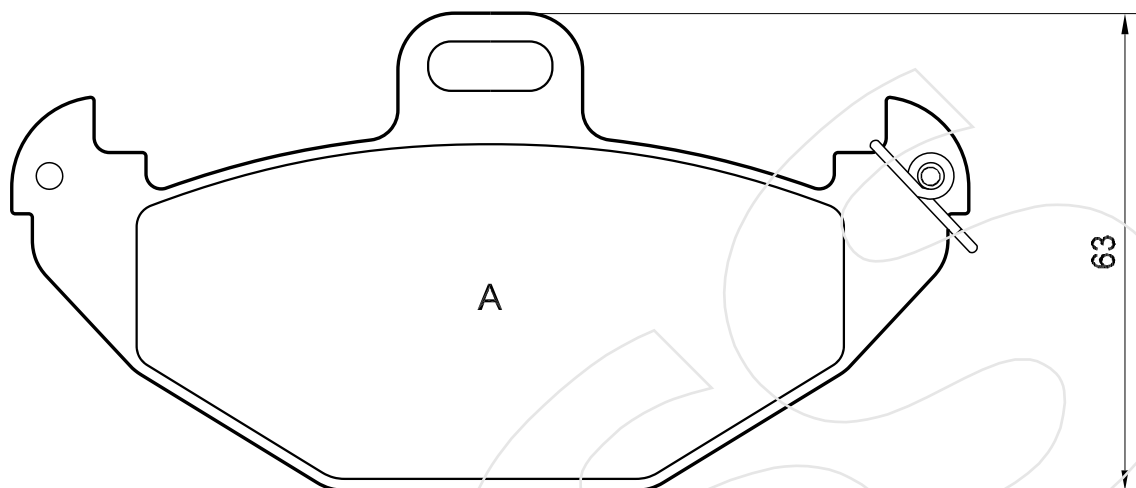
Reference in this Catalogue to other manufactures and to part numbers and other descriptions are for identification purposes only, because the above DISC BRAKE PADS are NOT ORIGINAL but with these interchangeable.

CODICE	IMPIANTO		ASSE	SCALA	APPLICAZIONI
<b>R-921</b>	GIRLING		ANTERIORE	100%	CITROEN
CODICE COMPONENTI	N°	L(mm)	SERIE		
M0015	4	*	4 PEZZI		
*	*	*	*		
*	*	*	*		
*	*	*	*		
CODICE ACCESSORI	N°	L(mm)	NOTE		
*	*	*			
*	*	*			
*	*	*			
*	*	*			



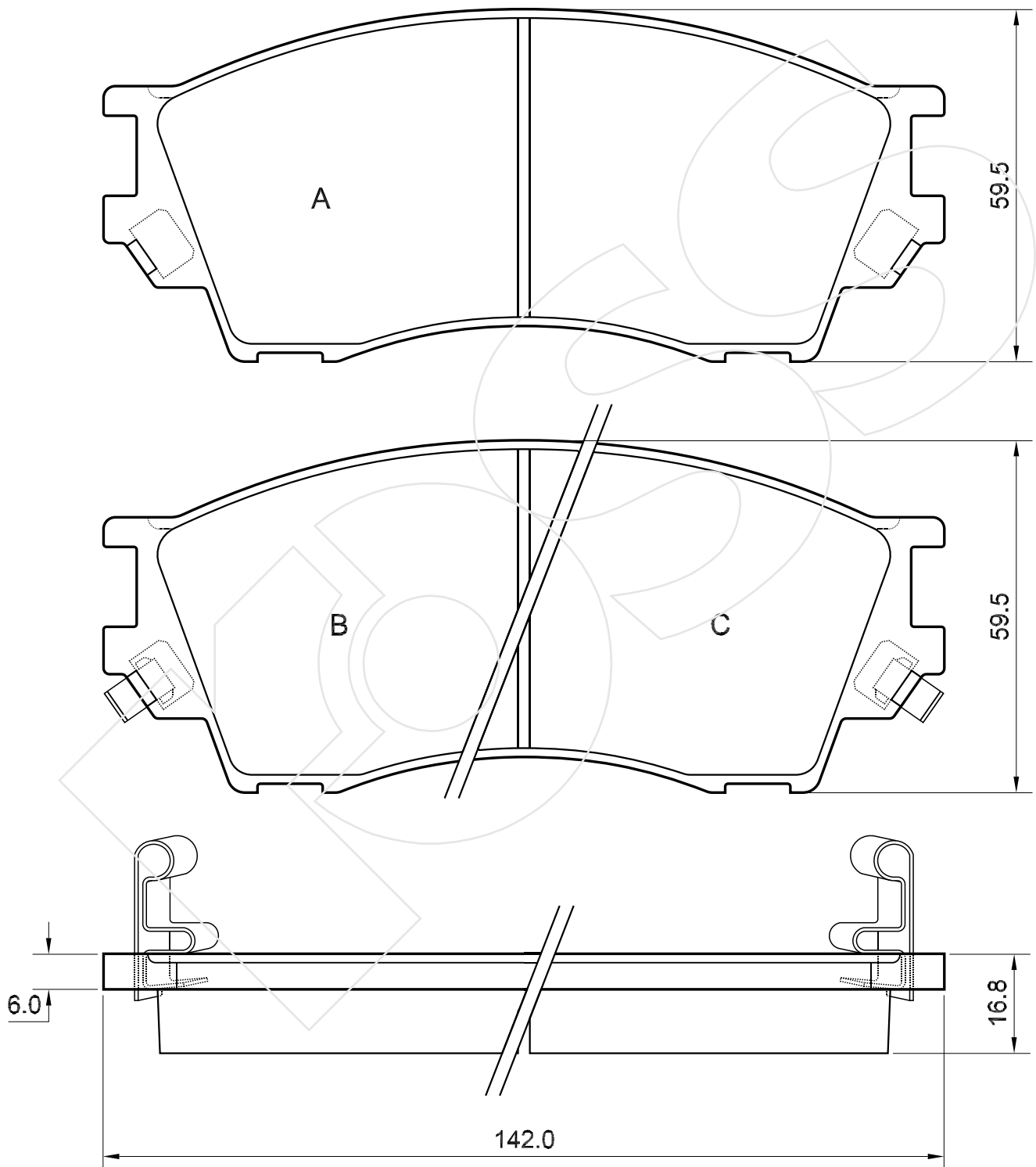
Reference in this Catalogue to other manufactures and to part numbers and other descriptions are for identification purposes only, because the above DISC BRAKE PADS are NOT ORIGINAL but with these interchangeable.

CODICE	IMPIANTO	ASSE	SCALA	APPLICAZIONI
<b>R-922</b>	BREMBO	POSTERIORE	100%	RENAULT
CODICE COMPONENTI	N°	L(mm)	SERIE	
M0230+P1019	2+2	*	2 PEZZI TIPO A	
M0230+P1019	2+2	*	2 PEZZI TIPO B	
*	*	*	*	
*	*	*	*	
CODICE ACCESSORI	N°	L(mm)	NOTE	
*	*	*		
*	*	*		
*	*	*		
*	*	*		



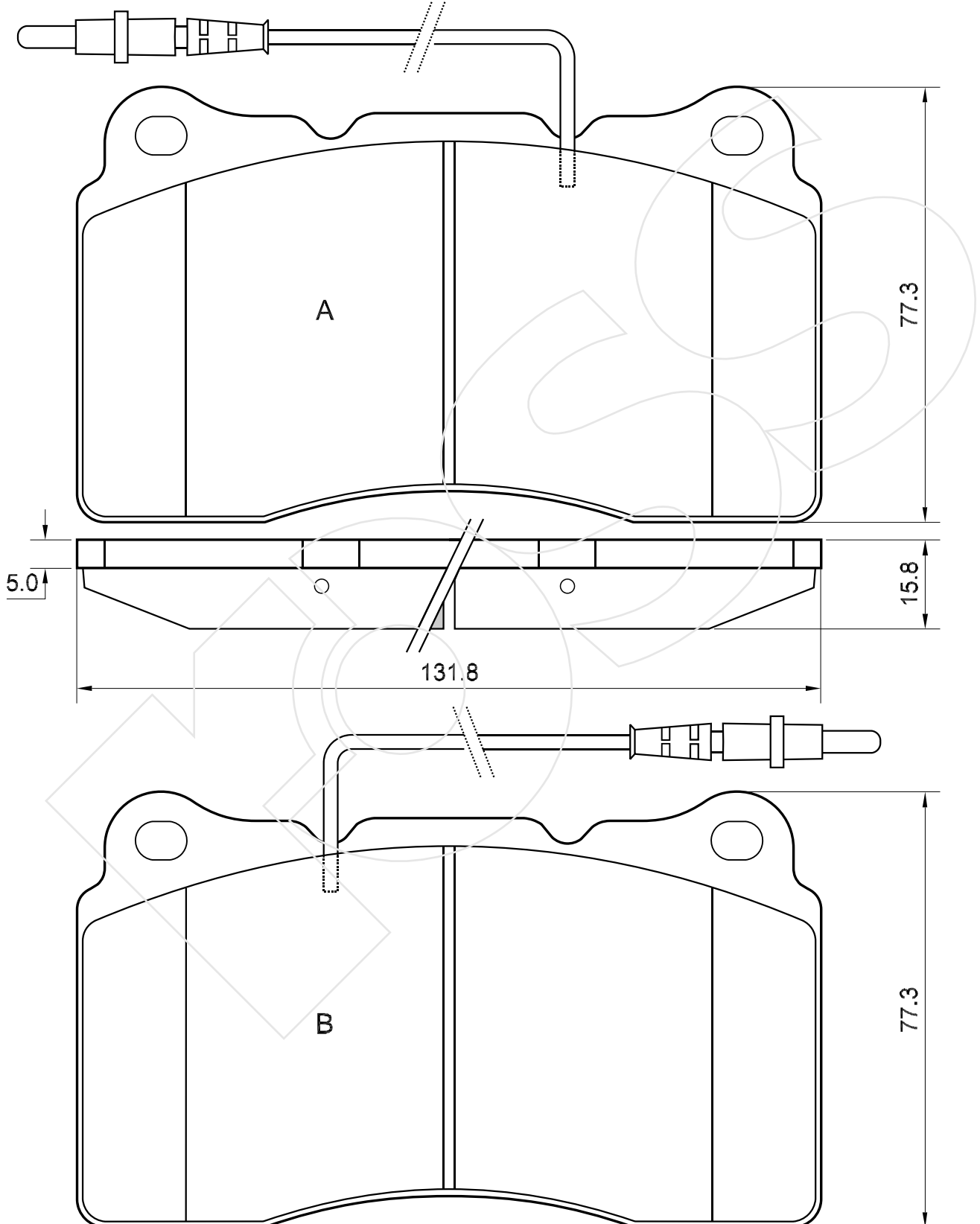
Reference in this Catalogue to other manufactures and to part numbers and other descriptions are for identification purposes only, because the above DISC BRAKE PADS are NOT ORIGINAL but with these interchangeable.

CODICE	IMPIANTO	ASSE	SCALA	APPLICAZIONI
<b>R-923</b>	AKEBONO	ANTERIORE	100%	MAZDA
CODICE COMPONENTI	N°	L(mm)	SERIE	
*	*	*	2 PEZZI TIPO A	
M0251	1	*	1 PEZZO TIPO B	
M0251	1	*	1 PEZZO TIPO C	
*	*	*	*	
CODICE ACCESSORI	N°	L(mm)	NOTE	
*	*	*		
*	*	*		
*	*	*		
*	*	*		



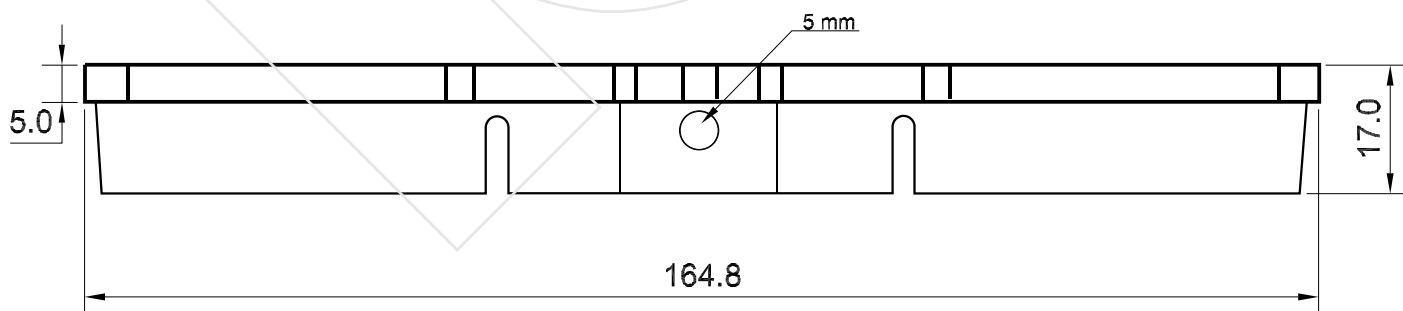
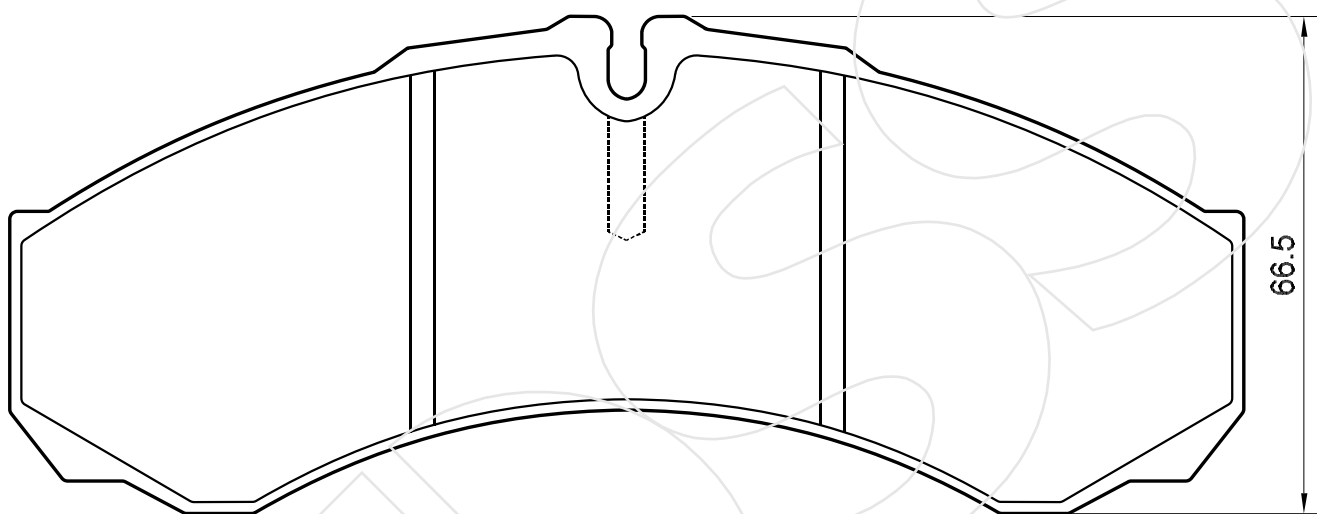
Reference in this Catalogue to other manufactures and to part numbers and other descriptions are for identification purposes only, because the above DISC BRAKE PADS are NOT ORIGINAL but with these interchangeable.

CODICE	IMPIANTO		ASSE	SCALA	APPLICAZIONI
<b>R-924</b>	BREMBO		ANTERIORE	100%	PEUGEOT
CODICE COMPONENTI	N°	L(mm)	SERIE		
F3010	2	305	2 PEZZI	TIPO A	
F3010	2	305	2 PEZZI	TIPO B	
*	*	*	*		
*	*	*	*		
CODICE ACCESSORI	N°	L(mm)	NOTE		
*	*	*			
*	*	*			
*	*	*			
*	*	*			



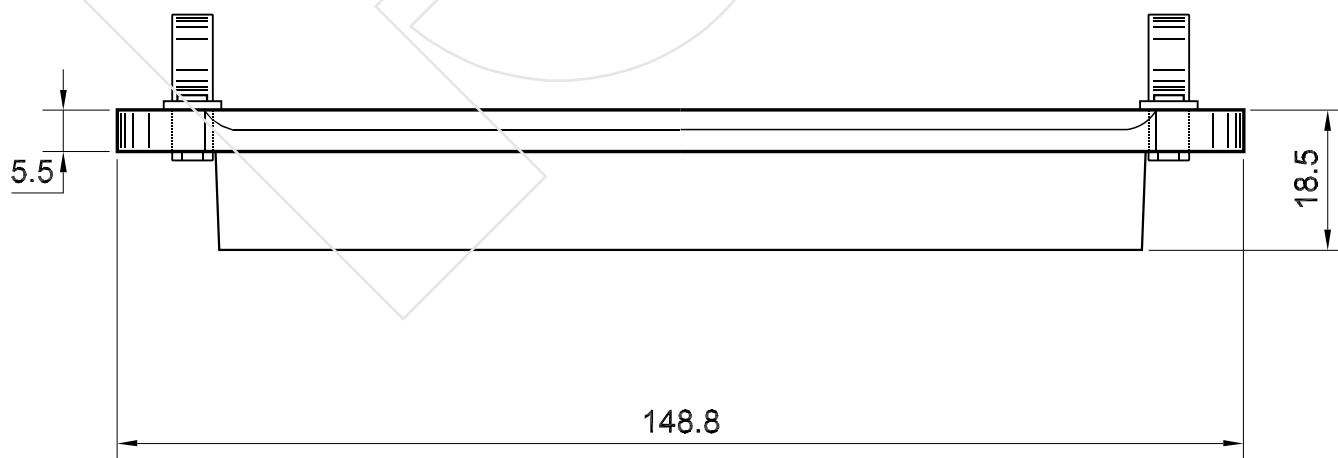
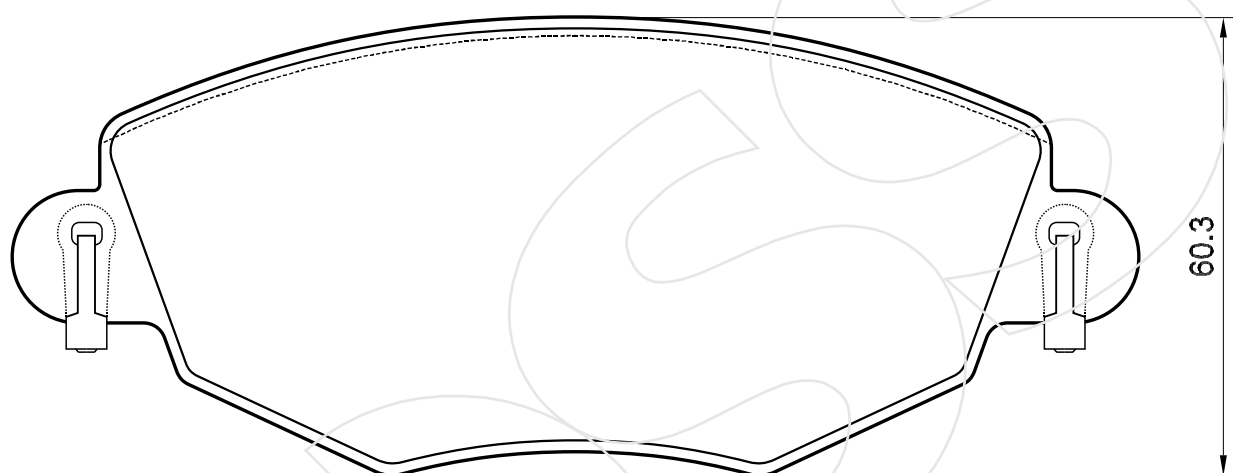
Reference in this Catalogue to other manufactures and to part numbers and other descriptions are for identification purposes only, because the above DISC BRAKE PADS are NOT ORIGINAL but with these interchangeable.

CODICE	IMPIANTO		ASSE	SCALA	APPLICAZIONI
<b>R-925</b>	ATE		ANTERIORE	100%	FIAT-IVECO
CODICE COMPONENTI	N°	L(mm)	SERIE		
*	*	*	4 PEZZI		
*	*	*			
*	*	*			
*	*	*			
CODICE ACCESSORI	N°	L(mm)	NOTE		
*	*	*			
*	*	*			
*	*	*			
*	*	*			



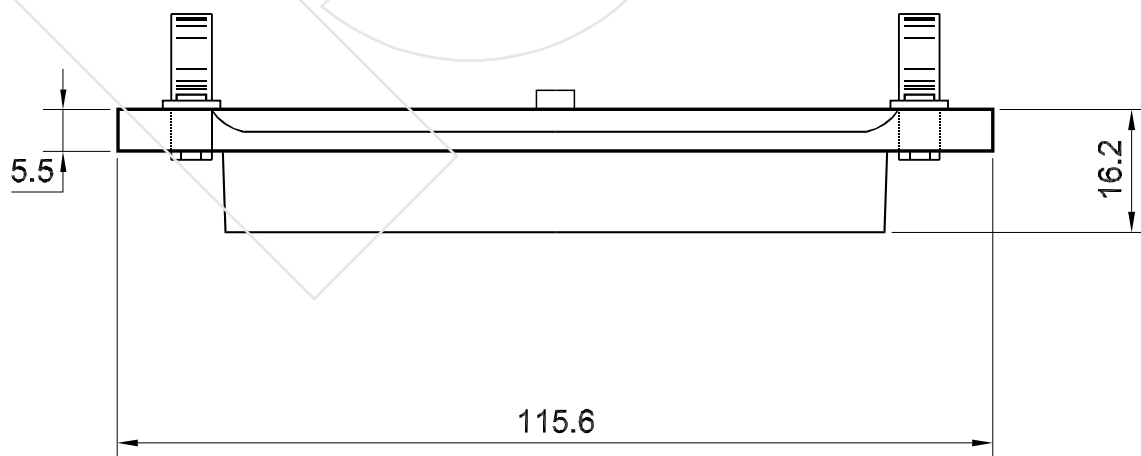
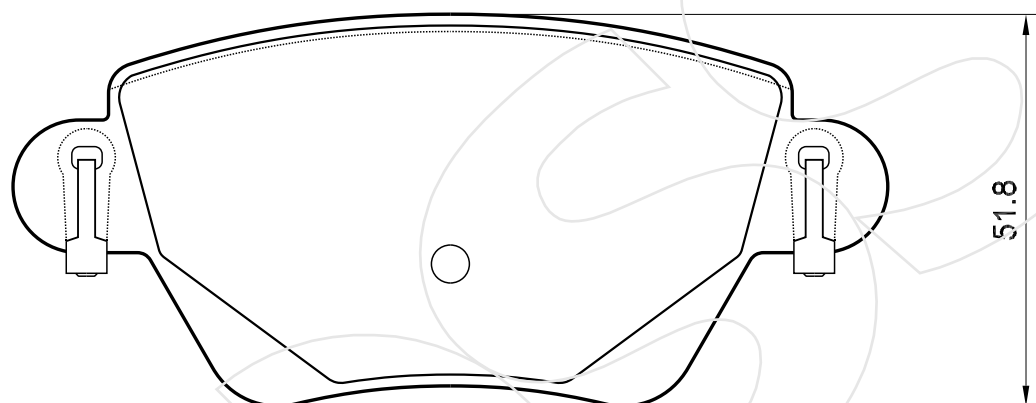
Reference in this Catalogue to other manufactures and to part numbers and other descriptions are for identification purposes only, because the above DISC BRAKE PADS are NOT ORIGINAL but with these interchangeable.

CODICE	IMPIANTO		ASSE	SCALA	APPLICAZIONI
<b>R-926</b>	BOSCH		ANTERIORE	100%	FORD
CODICE COMPONENTI	N°	L(mm)	SERIE		
M0229	8	*	4 PEZZI		
*	*	*	*		
*	*	*	*		
*	*	*	*		
CODICE ACCESSORI	N°	L(mm)	NOTE		
*	*	*	*		
*	*	*	*		
*	*	*	*		
*	*	*	*		



Reference in this Catalogue to other manufactures and to part numbers and other descriptions are for identification purposes only, because the above DISC BRAKE PADS are NOT ORIGINAL but with these interchangeable.

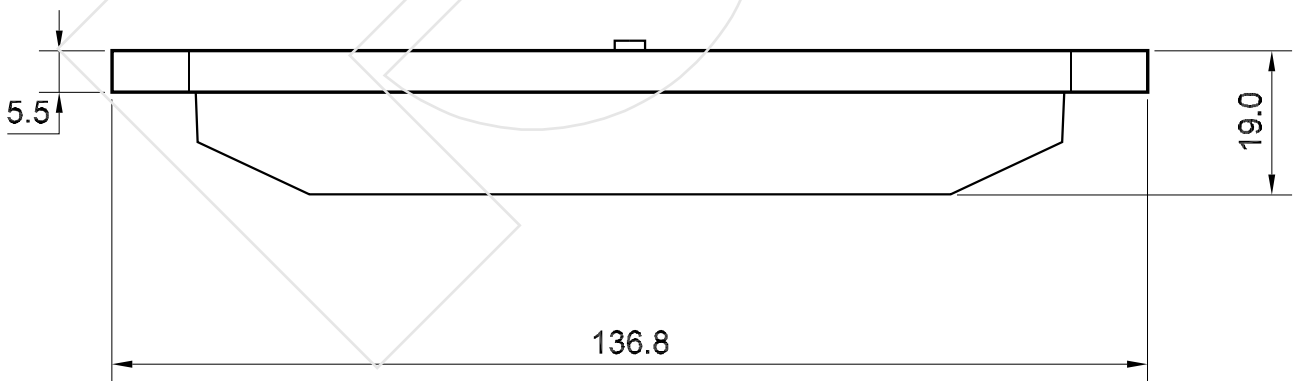
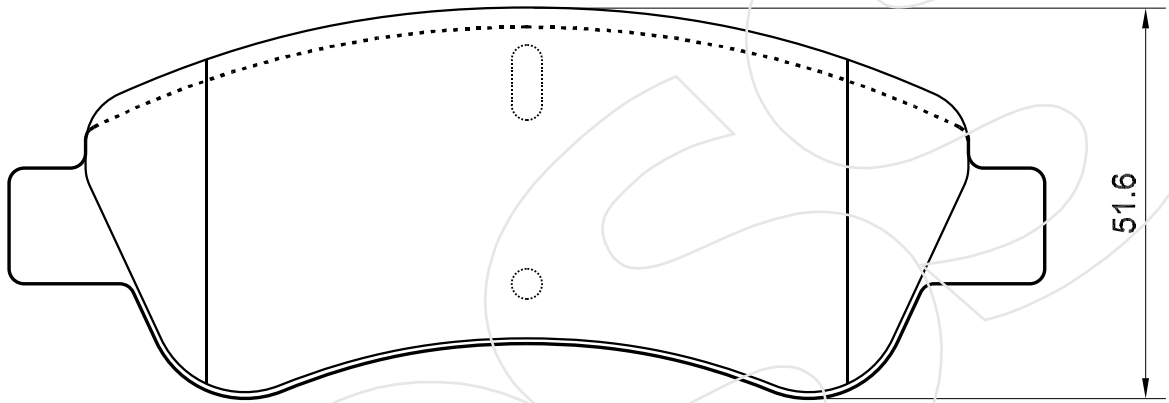
CODICE	IMPIANTO	ASSE	SCALA	APPLICAZIONI
<b>R-927</b>	BOSCH	POSTERIORE	100%	FORD
CODICE COMPONENTI	N°	L(mm)	SERIE	
M0256	8	*	4 PEZZI	
*	*	*	*	
*	*	*	*	
*	*	*	*	
CODICE ACCESSORI	N°	L(mm)	NOTE	
*	*	*		
*	*	*		
*	*	*		
*	*	*		



Reference in this Catalogue to other manufactures and to part numbers and other descriptions are for identification purposes only, because the above DISC BRAKE PADS are NOT ORIGINAL but with these interchangeable.

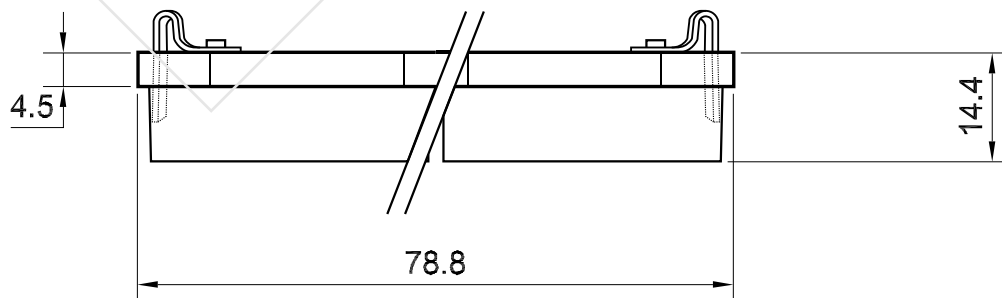
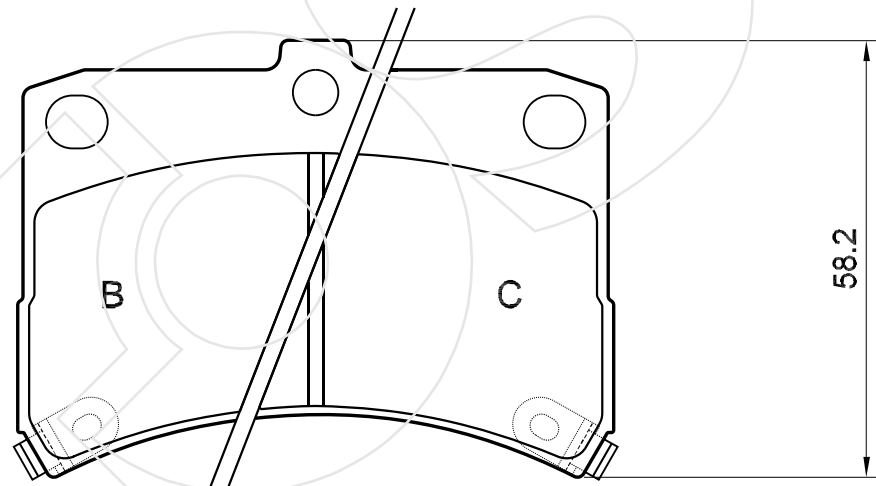
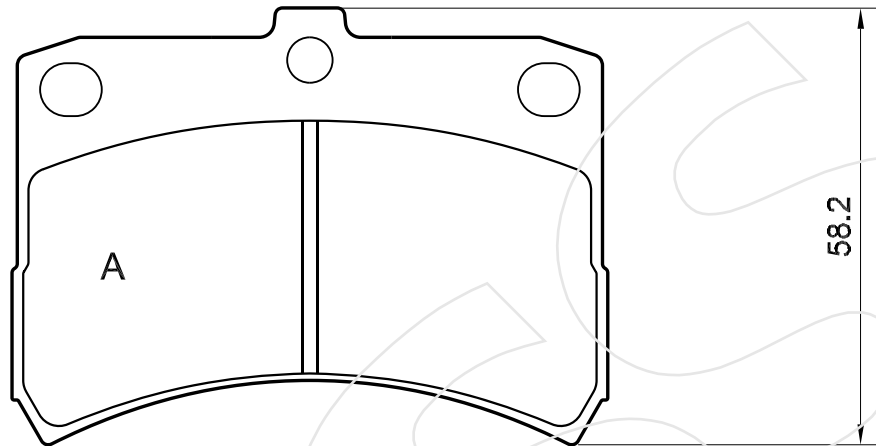


CODICE	IMPIANTO		ASSE	SCALA	APPLICAZIONI
<b>R-928</b>	BOSCH		ANTERIORE	100%	CITROEN PEUGEOT
CODICE COMPONENTI	N°	L(mm)	SERIE		
*	*	*	4 PEZZI		
*	*	*	*		
*	*	*	*		
*	*	*	*		
CODICE ACCESSORI	N°	L(mm)	NOTE		
*	*	*			
*	*	*			
*	*	*			
*	*	*			



Reference in this Catalogue to other manufactures and to part numbers and other descriptions are for identification purposes only, because the above DISC BRAKE PADS are NOT ORIGINAL but with these interchangeable.

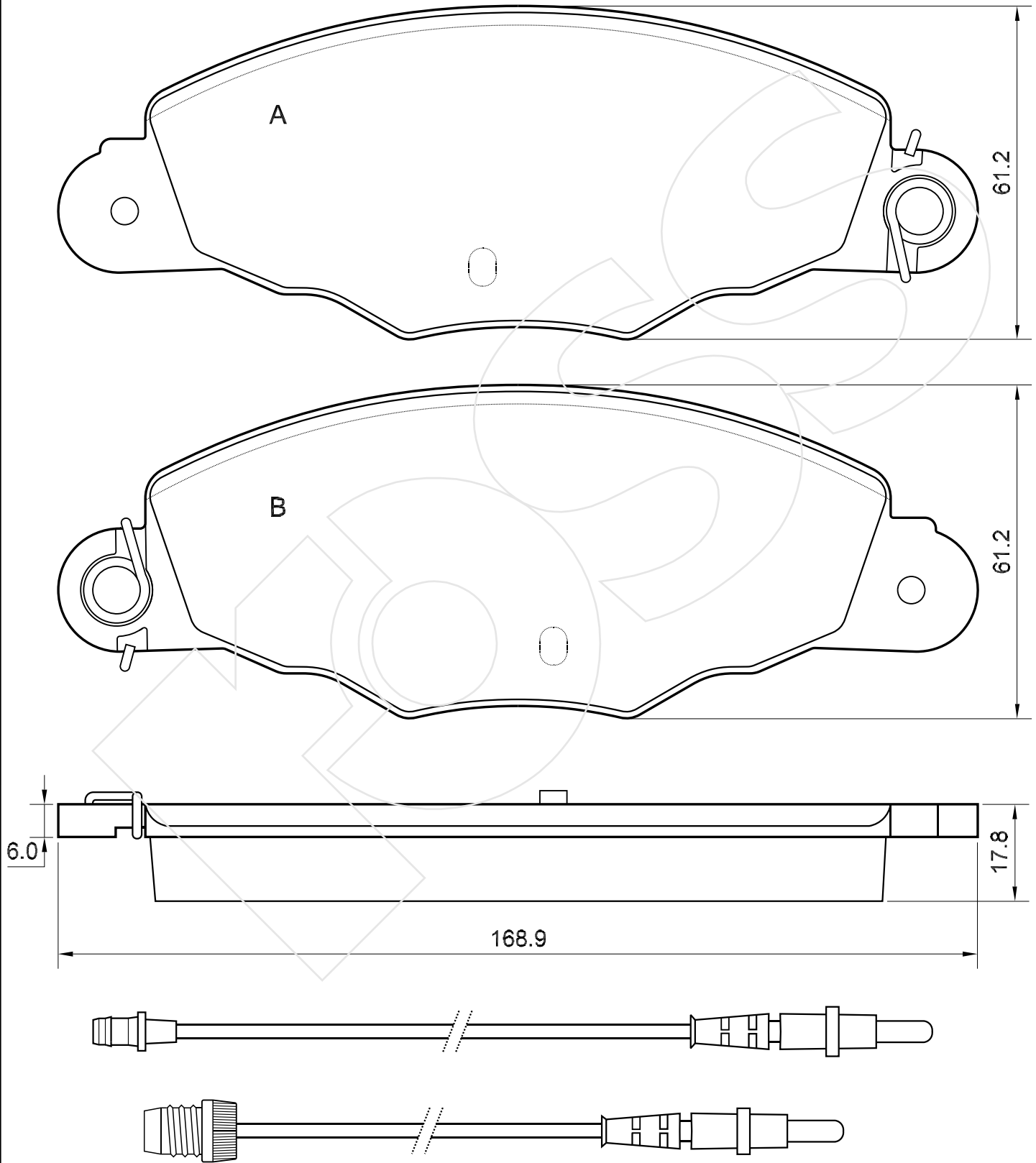
CODICE	IMPIANTO		ASSE	SCALA	APPLICAZIONI
<b>R-929</b>	SUMITOMO		ANTERIORE	100%	DAIHATSU
CODICE COMPONENTI	N°	L(mm)	SERIE		
*	*	*	2 PEZZI TIPO A		
M0255	1	*	1 PEZZO TIPO B		
M0255	1	*	1 PEZZO TIPO C		
*	*	*	*		
CODICE ACCESSORI	N°	L(mm)	NOTE		
*	*	*			
*	*	*			
*	*	*			
*	*	*			



Reference in this Catalogue to other manufactures and to part numbers and other descriptions are for identification purposes only, because the above DISC BRAKE PADS are NOT ORIGINAL but with these interchangeable.

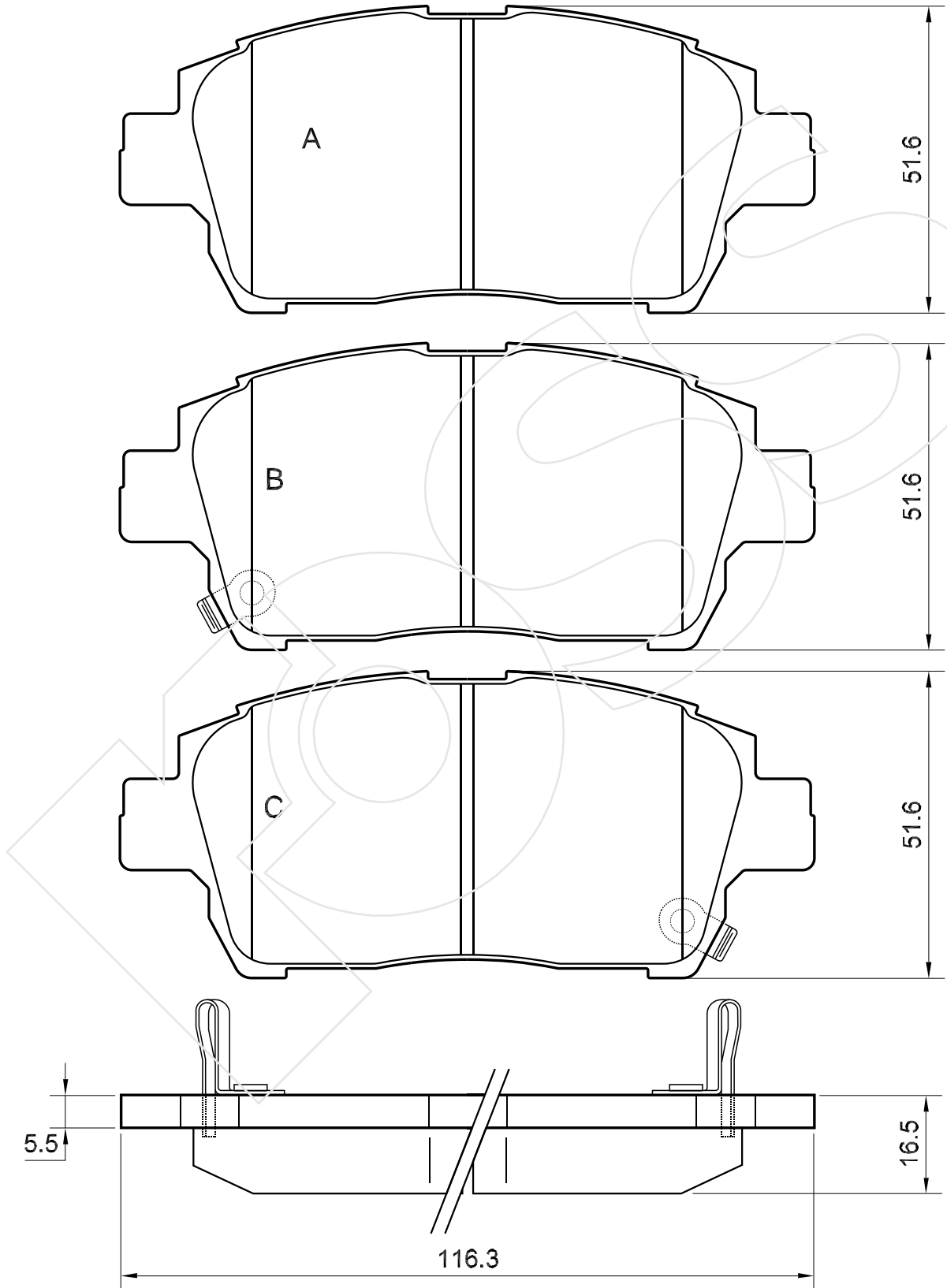
CODICE	IMPIANTO		ASSE	SCALA	APPLICAZIONI
<b>R-930</b>	BOSCH		ANTERIORE	100%	CITROEN
CODICE COMPONENTI	N°	L(mm)	SERIE		
M0204	4	*	2 PEZZI TIPO A		
*	*	*	2 PEZZI TIPO B		
F3122	2	180	*		
F3124	2	410	*		
CODICE ACCESSORI	N°	L(mm)	NOTE		
*	*	*			
*	*	*			
*	*	*			
*	*	*			

PEUGEOT



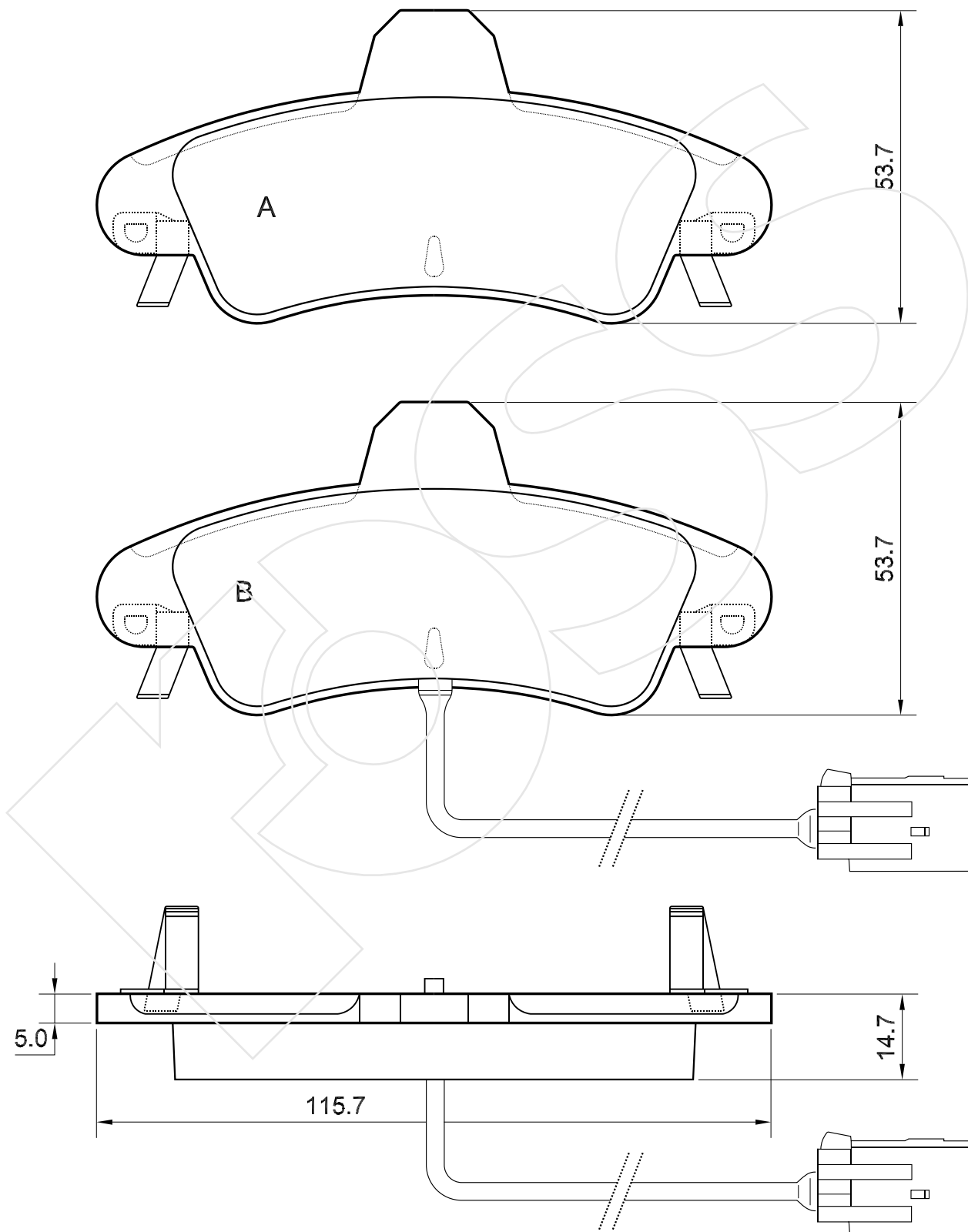
Reference in this Catalogue to other manufactures and to part numbers and other descriptions are for identification purposes only, because the above DISC BRAKE PADS are NOT ORIGINAL but with these interchangeable.

CODICE	IMPIANTO	ASSE	SCALA	APPLICAZIONI
<b>R-931</b>	AKEBONO	ANTERIORE/POSTERIORE	100%	TOYOTA
CODICE COMPONENTI	N°	L(mm)	SERIE	
*	*	*	2 PEZZI TIPO A	
M0174	1	*	1 PEZZO TIPO B	
M0174	1	*	1 PEZZO TIPO C	
*	*	*	*	
CODICE ACCESSORI	N°	L(mm)	NOTE	
*	*	*		
*	*	*		
*	*	*		
*	*	*		



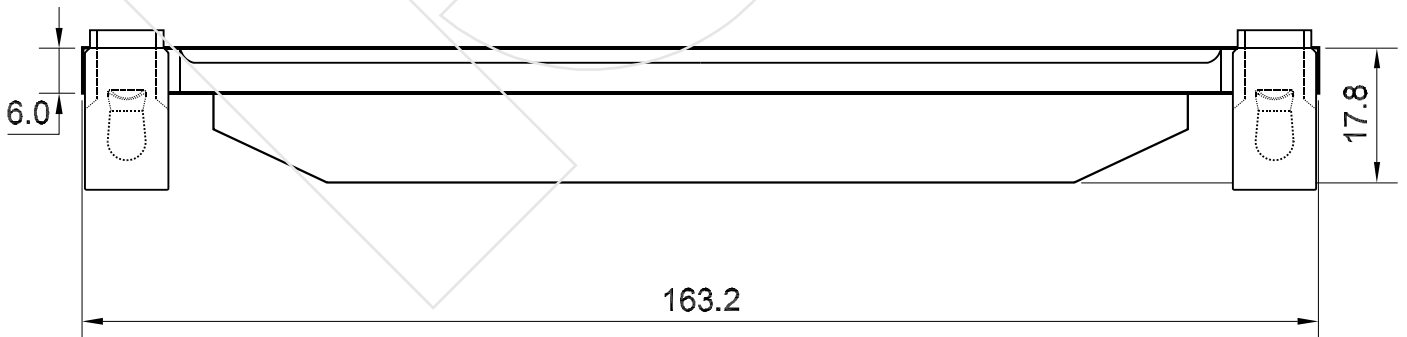
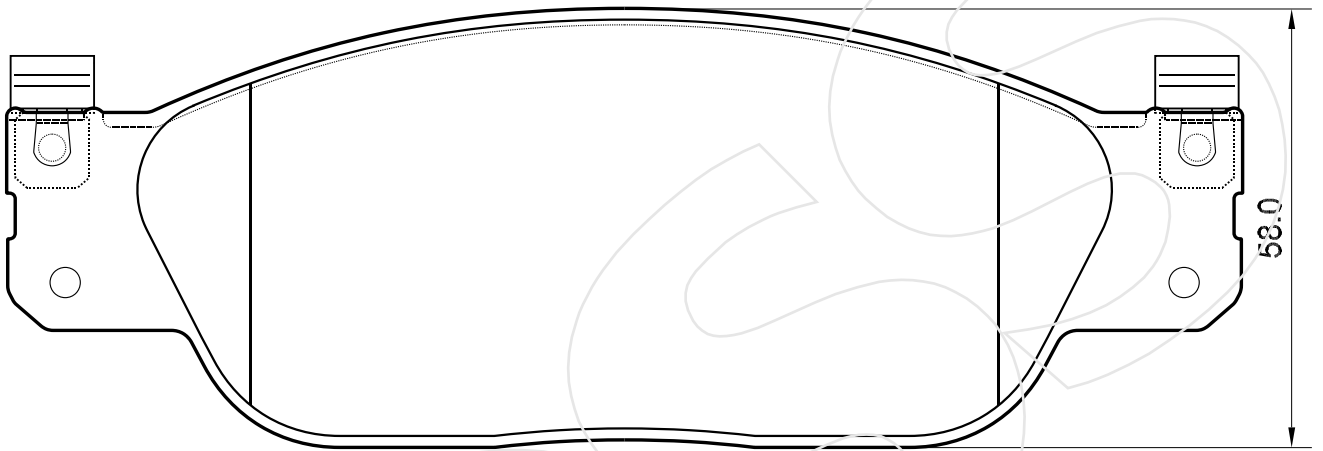
Reference in this Catalogue to other manufactures and to part numbers and other descriptions are for identification purposes only, because the above DISC BRAKE PADS are NOT ORIGINAL but with these interchangeable.

CODICE	IMPIANTO		ASSE	SCALA	APPLICAZIONI
<b>R-932</b>	BENDIX		POSTERIORE	100%	FORD
CODICE COMPONENTI	N°	L(mm)	SERIE		
M0169+M0170	2+2	*	2 PEZZI	TIPO A	
M0169+M0170+F3038	2+2+2	225	2 PEZZI	TIPO B	
*	*	*	*		
*	*	*	*		
CODICE ACCESSORI	N°	L(mm)	NOTE		
*	*	*			
*	*	*			
*	*	*			
*	*	*			



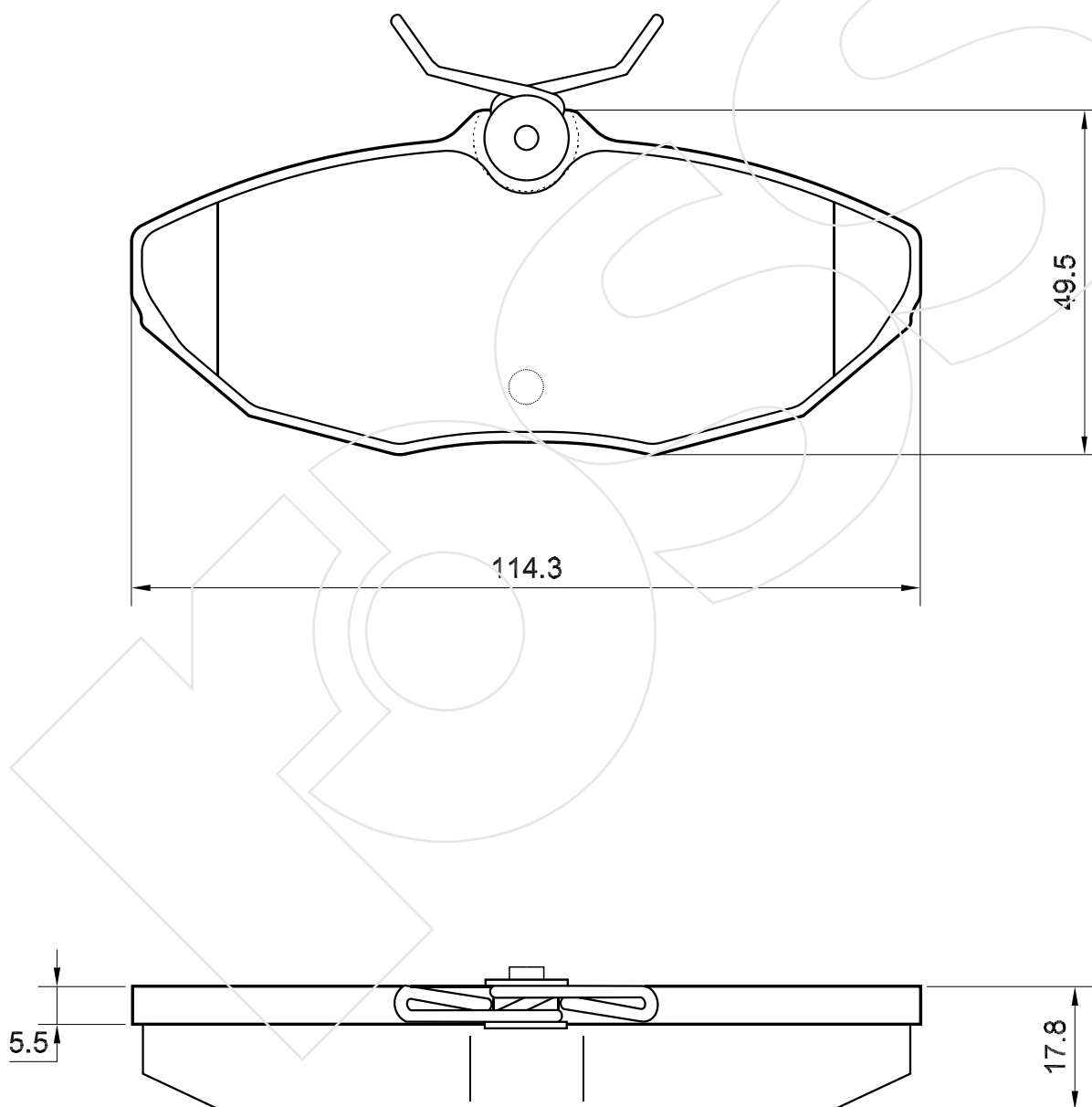
Reference in this Catalogue to other manufactures and to part numbers and other descriptions are for identification purposes only, because the above DISC BRAKE PADS are NOT ORIGINAL but with these interchangeable.

CODICE	IMPIANTO		ASSE	SCALA	APPLICAZIONI
<b>R-933</b>	TRW		ANTERIORE	100%	JAGUAR
CODICE COMPONENTI	N°	L(mm)	SERIE		
M0254	8	*	4 PEZZI		
*	*	*	*		
*	*	*	*		
*	*	*	*		
CODICE ACCESSORI	N°	L(mm)	NOTE		
*	*	*			
*	*	*			
*	*	*			
*	*	*			



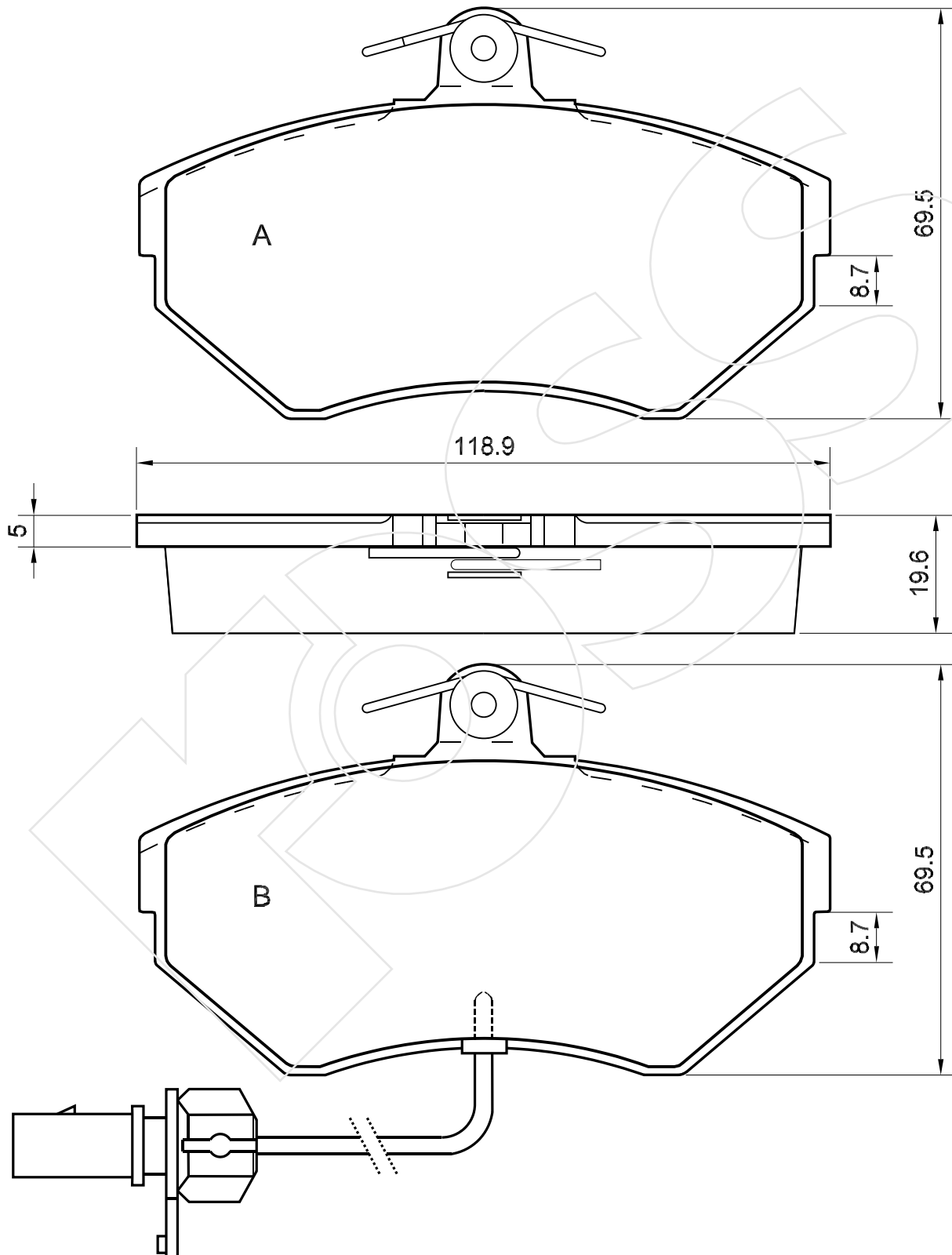
Reference in this Catalogue to other manufactures and to part numbers and other descriptions are for identification purposes only, because the above DISC BRAKE PADS are NOT ORIGINAL but with these interchangeable.

CODICE	IMPIANTO		ASSE	SCALA	APPLICAZIONI
<b>R-934</b>	TRW		POSTERIORE	100%	JAGUAR LINCOLN
CODICE COMPONENTI	N°	L(mm)	SERIE		
M0015+P1004	4+4	*	4 PEZZI		
*	*	*	*		
*	*	*	*		
*	*	*	*		
CODICE ACCESSORI	N°	L(mm)	NOTE		
*	*	*			
*	*	*			
*	*	*			
*	*	*			



Reference in this Catalogue to other manufactures and to part numbers and other descriptions are for identification purposes only, because the above DISC BRAKE PADS are NOT ORIGINAL but with these interchangeable.

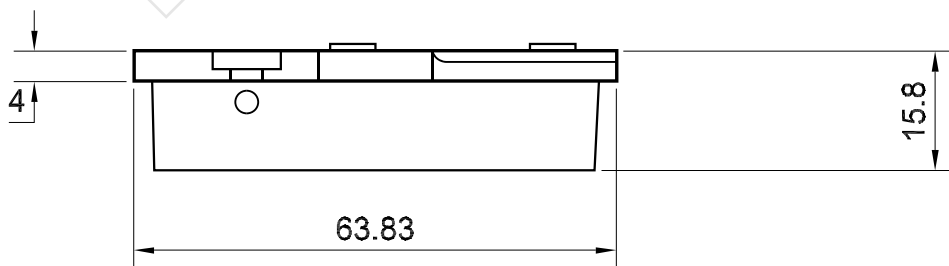
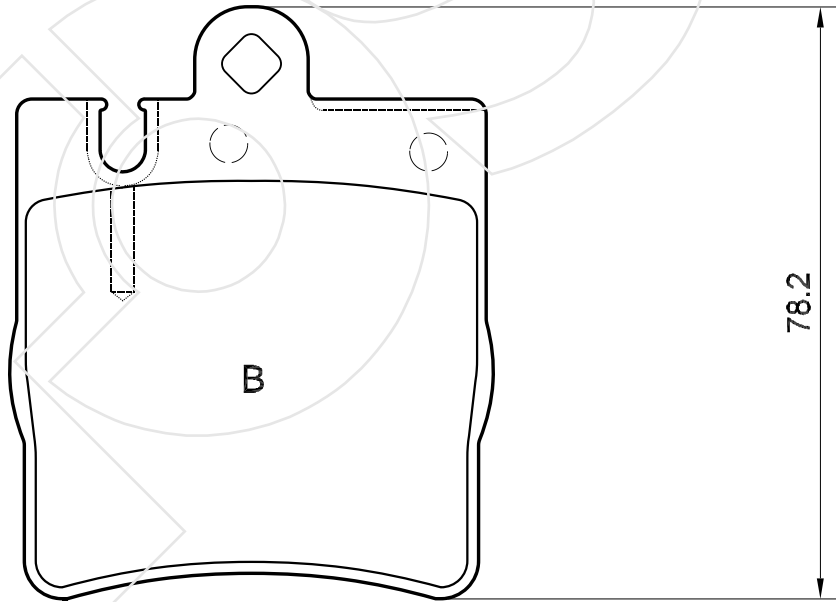
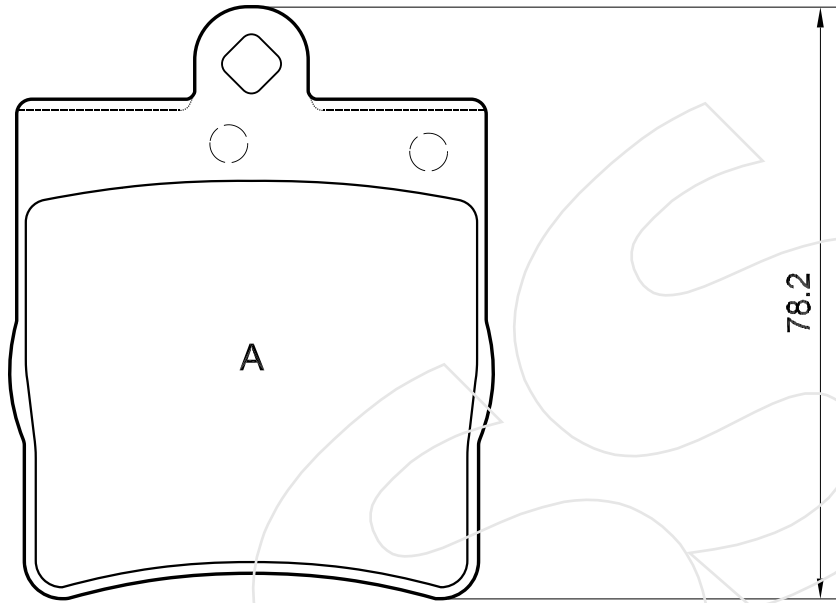
CODICE	IMPIANTO	ASSE	SCALA	APPLICAZIONI
<b>R-935</b>	GIRLING	ANTERIORE	100%	AUDI VOLKSWAGEN
CODICE COMPONENTI	N°	L(mm)	SERIE	
M0013	2	*	2 PEZZI	TIPO A
M0013+F3044	2+2	210	2 PEZZI	TIPO B
*	*	*	*	
*	*	*	*	
CODICE ACCESSORI	N°	L(mm)	NOTE	
*	*	*		
*	*	*		
*	*	*		
*	*	*		



Reference in this Catalogue to other manufactures and to part numbers and other descriptions are for identification purposes only, because the above DISC BRAKE PADS are NOT ORIGINAL but with these interchangeable.

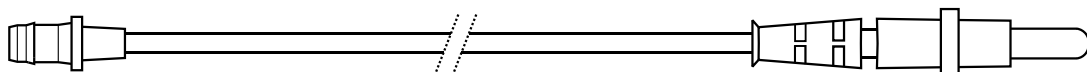
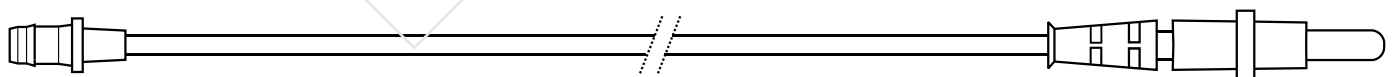
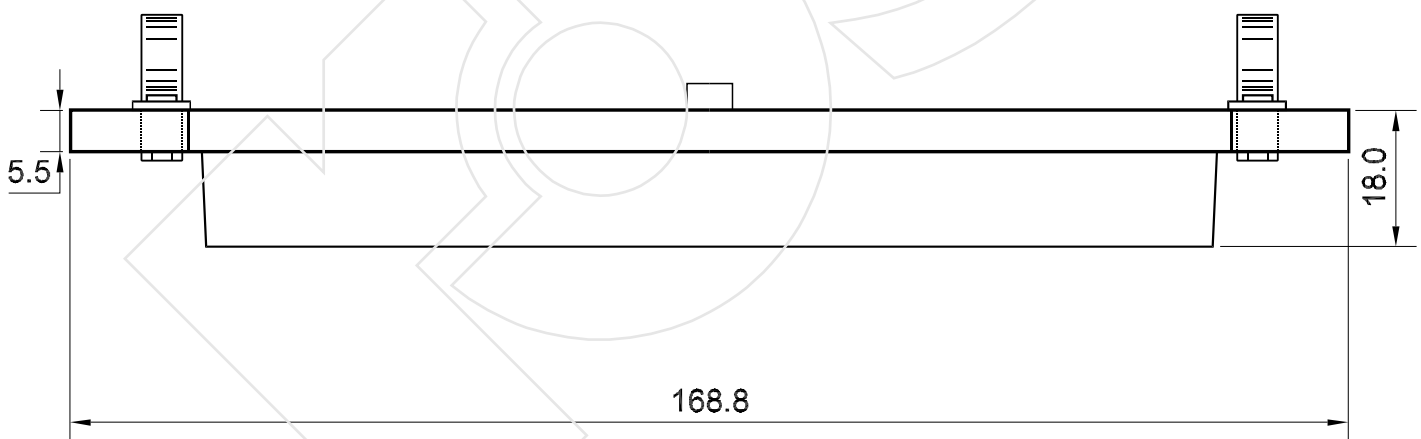
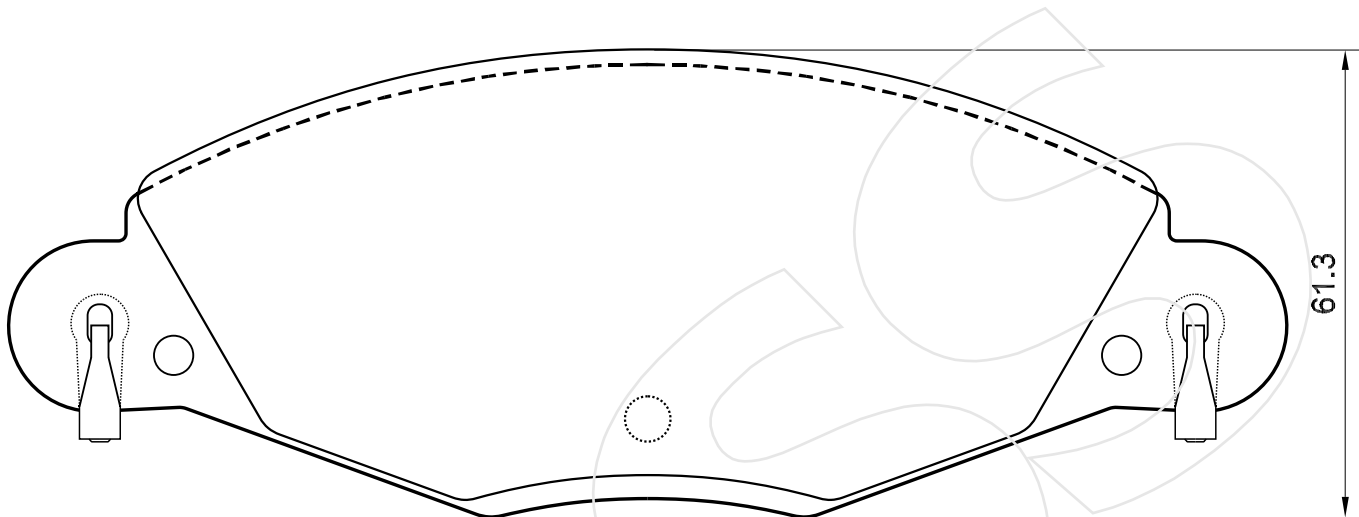


CODICE	IMPIANTO		ASSE	SCALA	APPLICAZIONI
<b>R-936</b>	ATE		POSTERIORE	100%	MERCEDES
CODICE COMPONENTI	N°	L(mm)	SERIE		
*	*	*	3 PEZZI TIPO A		
*	*	*	1 PEZZO TIPO B		
*	*	*	*		
*	*	*	*		
CODICE ACCESSORI	N°	L(mm)	NOTE		
F3082	2	90			
*	*	*			
*	*	*			
*	*	*			



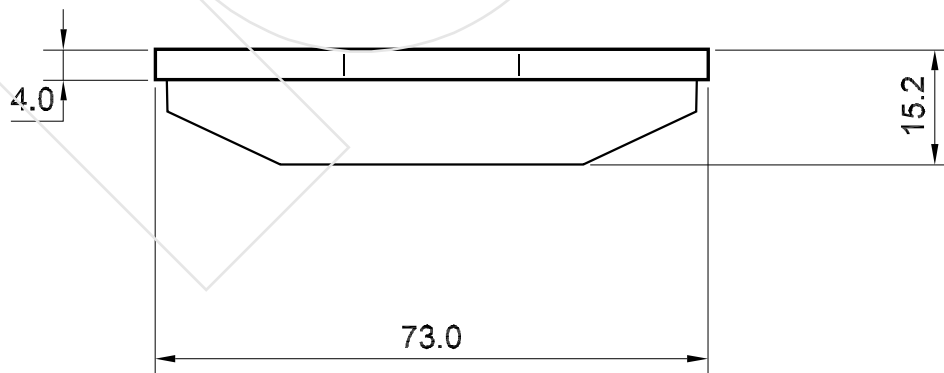
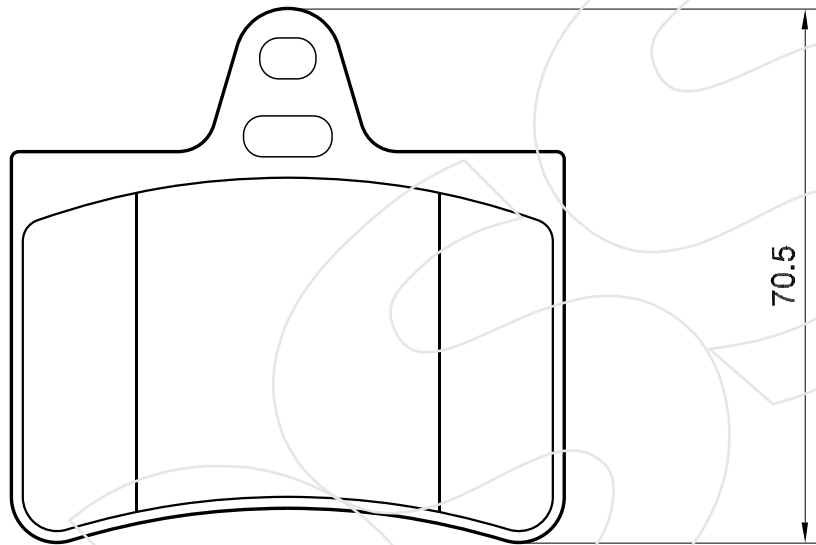
Reference in this Catalogue to other manufactures and to part numbers and other descriptions are for identification purposes only, because the above DISC BRAKE PADS are NOT ORIGINAL but with these interchangeable.

CODICE	IMPIANTO		ASSE	SCALA	APPLICAZIONI
<b>R-937</b>	BOSCH		ANTERIORE	100%	<b>CITROEN</b>
CODICE COMPONENTI	N°	L(mm)	SERIE		
M0229	8	*	4 PEZZI		
F3124	2	410	*		
F3078	2	280	*		
*	*	*	*		
CODICE ACCESSORI	N°	L(mm)	NOTE		
*	*	*			
*	*	*			
*	*	*			
*	*	*			



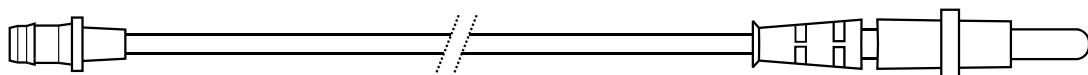
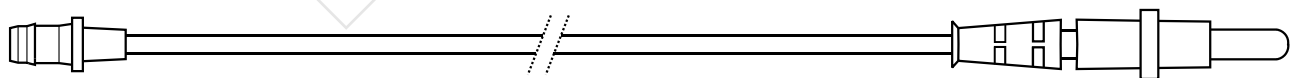
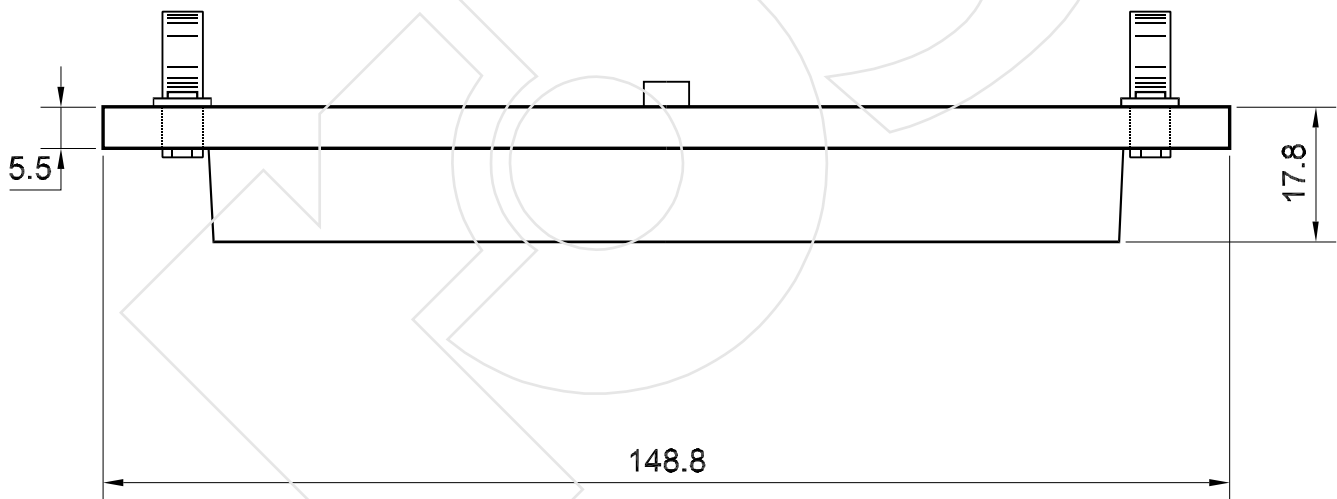
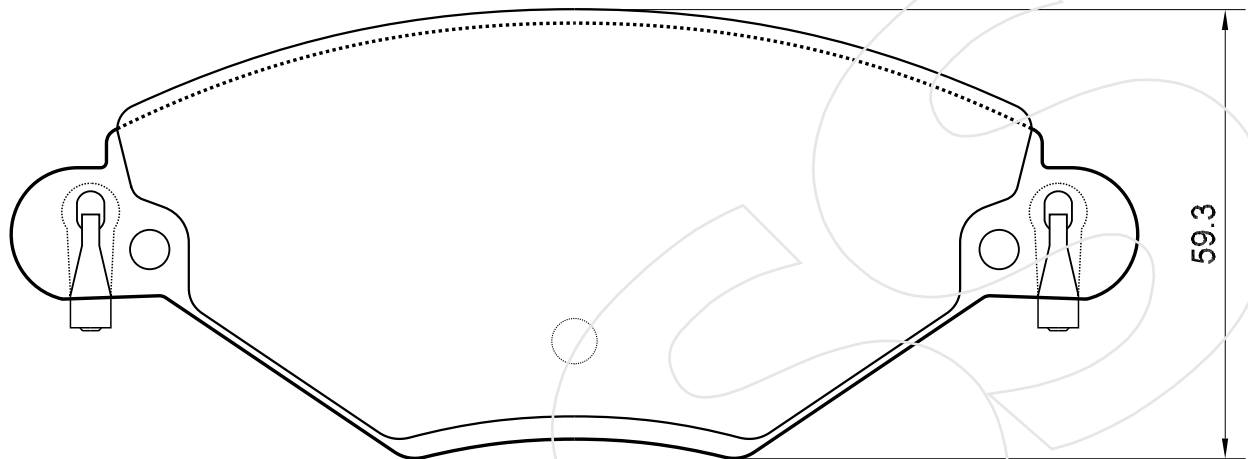
Reference in this Catalogue to other manufactures and to part numbers and other descriptions are for identification purposes only, because the above DISC BRAKE PADS are NOT ORIGINAL but with these interchangeable.

CODICE	IMPIANTO		ASSE	SCALA	APPLICAZIONI
<b>R-938</b>	CITROEN		POSTERIORE	100%	CITROEN
CODICE COMPONENTI	N°	L(mm)	SERIE		
*	*	*	4 PEZZI		
*	*	*	*		
*	*	*	*		
*	*	*	*		
*	*	*	*		
CODICE ACCESSORI	N°	L(mm)	NOTE		
*	*	*			
*	*	*			
*	*	*			
*	*	*			



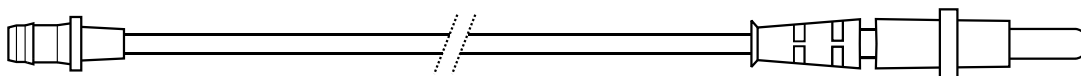
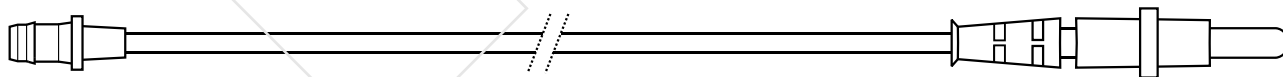
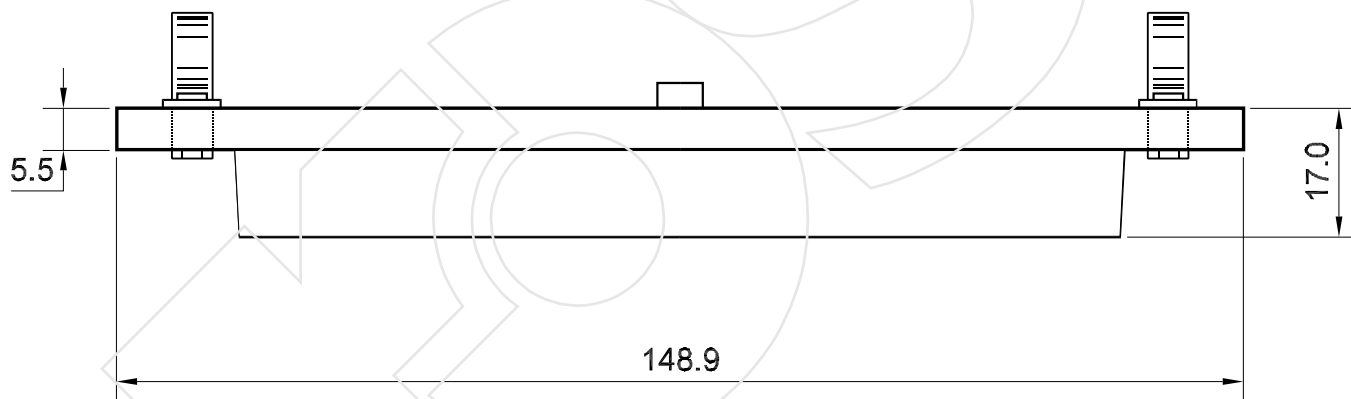
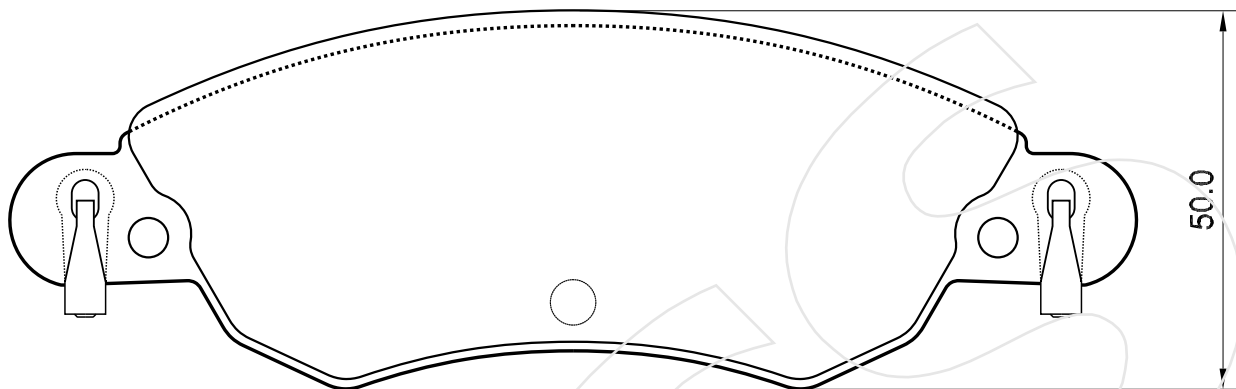
Reference in this Catalogue to other manufactures and to part numbers and other descriptions are for identification purposes only, because the above DISC BRAKE PADS are NOT ORIGINAL but with these interchangeable.

CODICE	IMPIANTO		ASSE	SCALA	APPLICAZIONI
<b>R-939</b>	BOSCH		ANTERIORE	100%	CITROEN
CODICE COMPONENTI	N°	L(mm)	SERIE		
M0229	8	*	4 PEZZI		
F3124	2	410	*		
F3078	2	280	*		
*	*	*	*		
CODICE ACCESSORI	N°	L(mm)	NOTE		
*	*	*			
*	*	*			
*	*	*			
*	*	*			



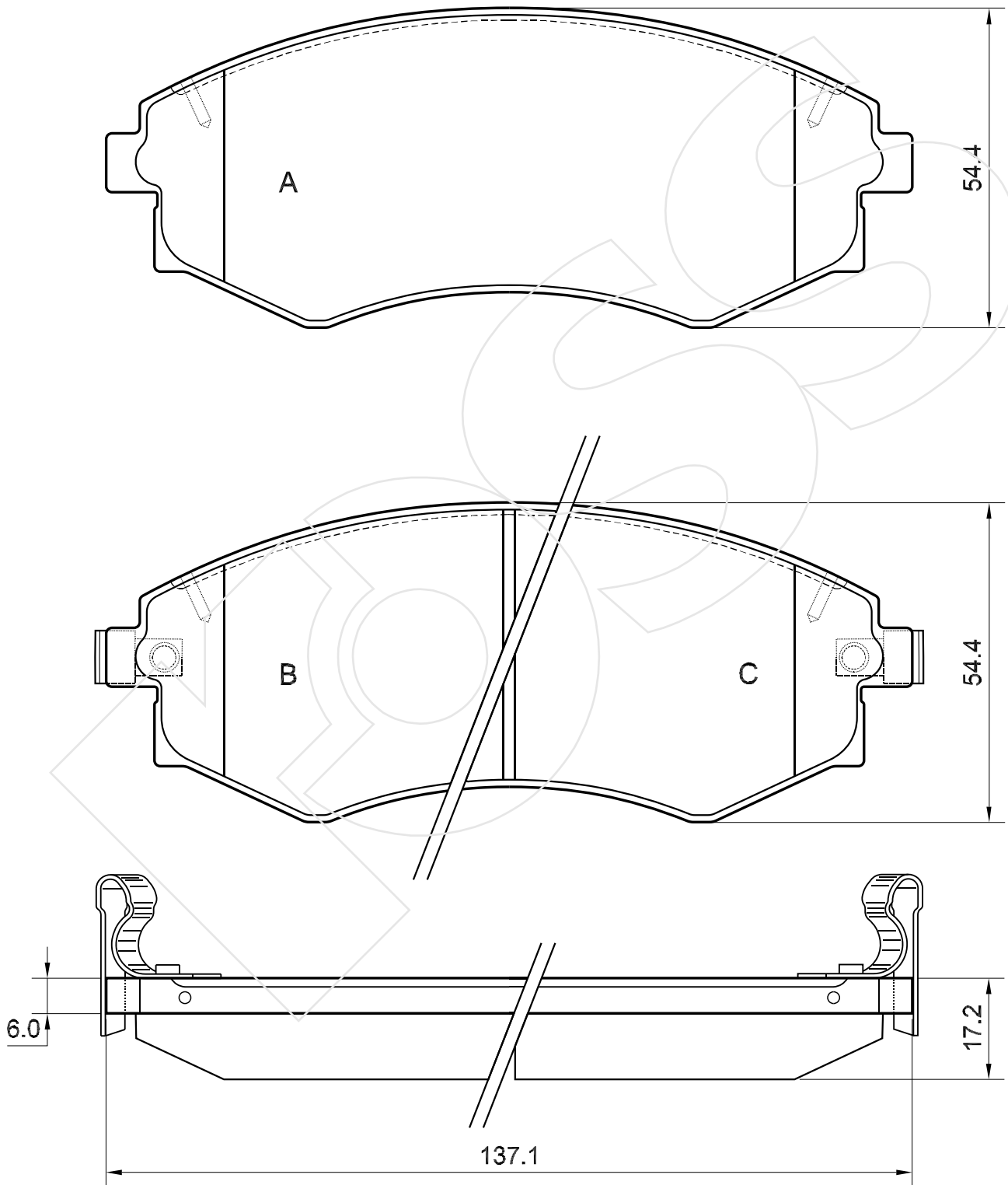
Reference in this Catalogue to other manufactures and to part numbers and other descriptions are for identification purposes only, because the above DISC BRAKE PADS are NOT ORIGINAL but with these interchangeable.

CODICE	IMPIANTO	ASSE	SCALA	APPLICAZIONI
<b>R-940</b>	BOSCH	ANTERIORE	100%	CITROEN
CODICE COMPONENTI	N°	L(mm)	SERIE	
M0229	8	*	4 PEZZI	
F3124	2	410	*	
F3078	2	280	*	
*	*	*	*	
CODICE ACCESSORI	N°	L(mm)	NOTE	
*	*	*		
*	*	*		
*	*	*		
*	*	*		



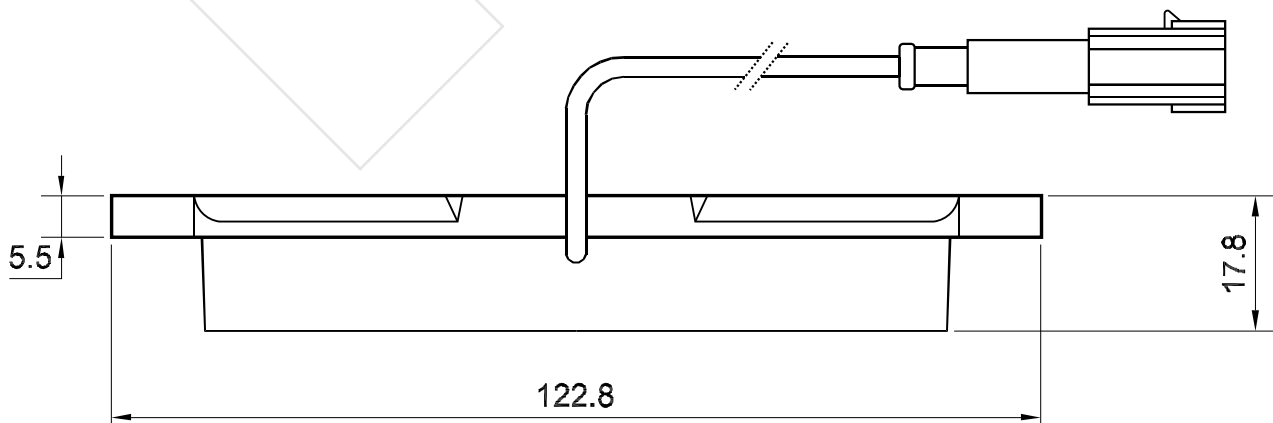
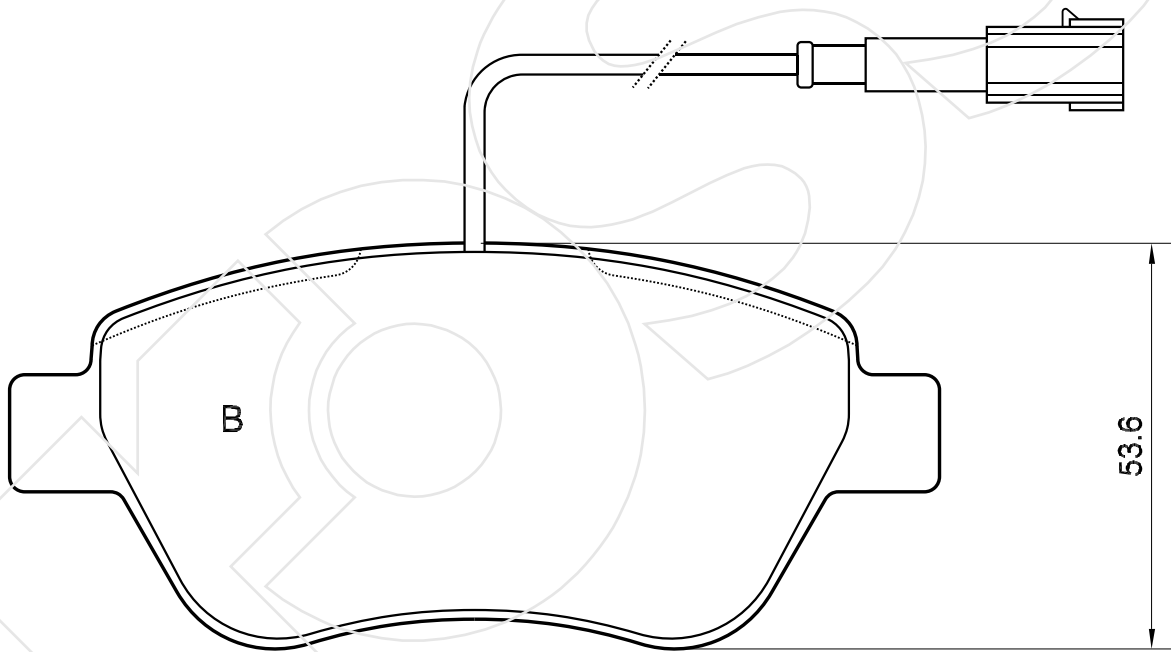
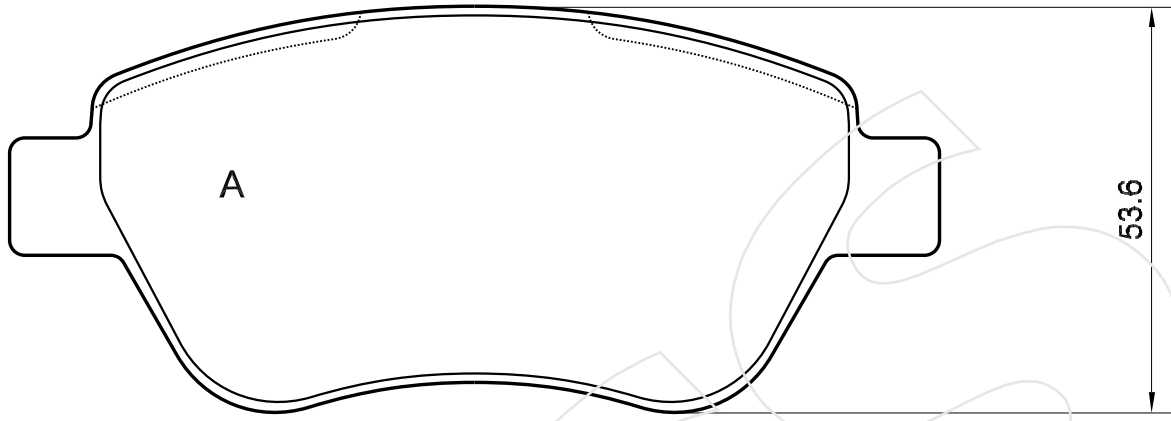
Reference in this Catalogue to other manufactures and to part numbers and other descriptions are for identification purposes only, because the above DISC BRAKE PADS are NOT ORIGINAL but with these interchangeable.

CODICE	IMPIANTO		ASSE	SCALA	APPLICAZIONI
<b>R-941</b>	SUMITOMO		ANTERIORE	100%	HYUNDAI
CODICE COMPONENTI	N°	L(mm)	SERIE		
*	*	*	2 PEZZI TIPO A		
M0074	1	*	1 PEZZO TIPO B		
M0074	1	*	1 PEZZO TIPO C		
*	*	*	*		
CODICE ACCESSORI	N°	L(mm)	NOTE		
*	*	*			
*	*	*			
*	*	*			
*	*	*			



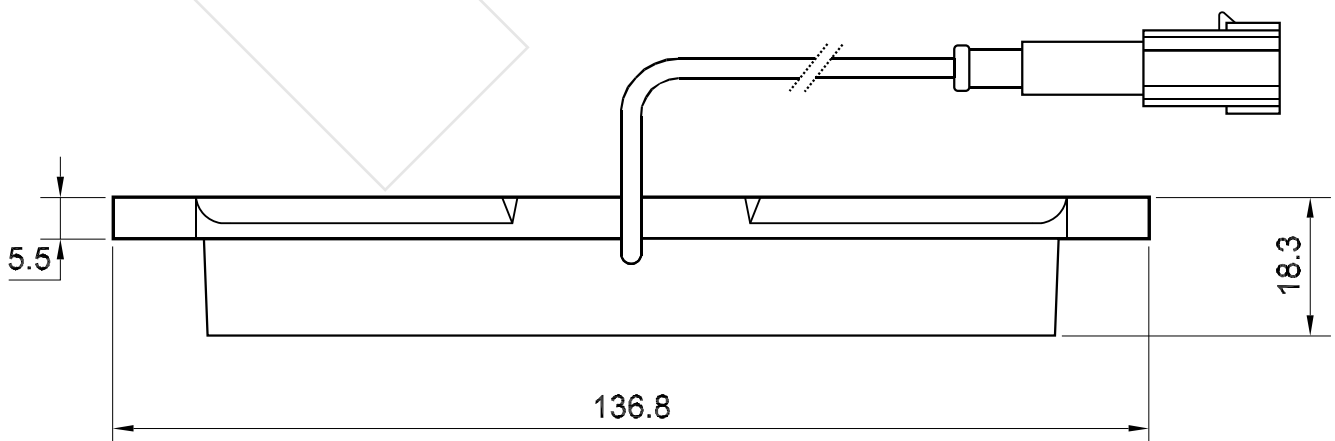
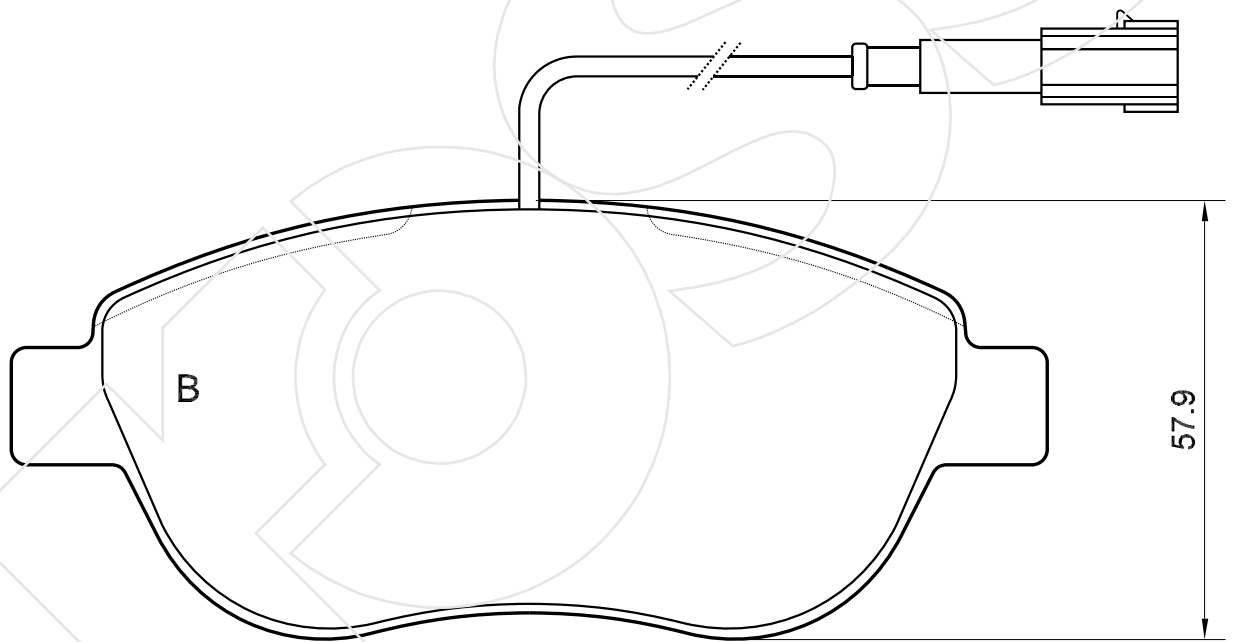
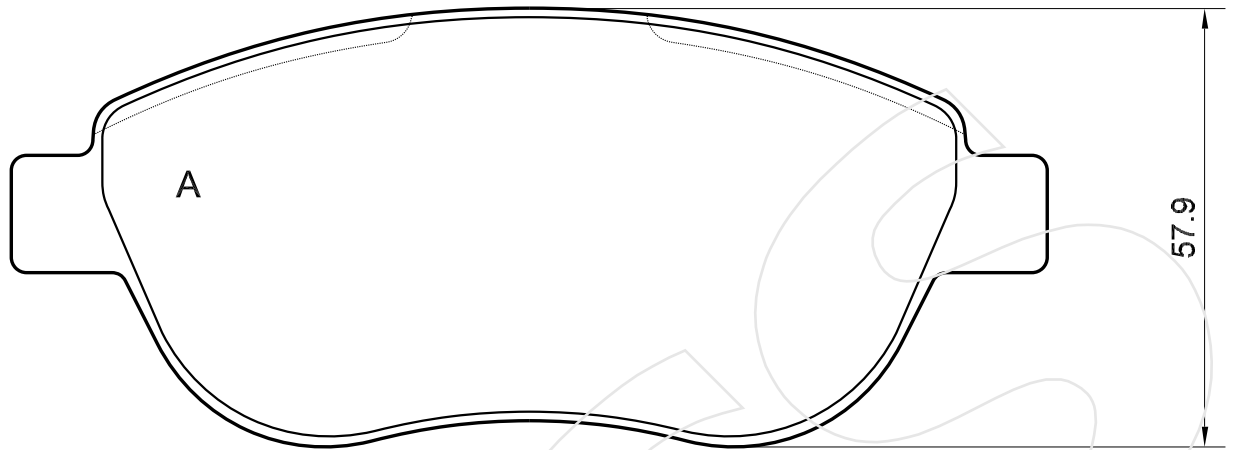
Reference in this Catalogue to other manufactures and to part numbers and other descriptions are for identification purposes only, because the above DISC BRAKE PADS are NOT ORIGINAL but with these interchangeable.

CODICE	IMPIANTO		ASSE	SCALA	APPLICAZIONI
<b>R-942</b>	BOSCH		ANTERIORE	100%	FIAT
CODICE COMPONENTI	N°	L(mm)	SERIE		
*	*	*	3 PEZZI	TIPO A	
F3019	1	200	1 PEZZI	TIPO B	
*	*	*	*		
*	*	*	*		
CODICE ACCESSORI	N°	L(mm)	NOTE		
*	*	*			
*	*	*			
*	*	*			
*	*	*			



Reference in this Catalogue to other manufactures and to part numbers and other descriptions are for identification purposes only, because the above DISC BRAKE PADS are NOT ORIGINAL but with these interchangeable.

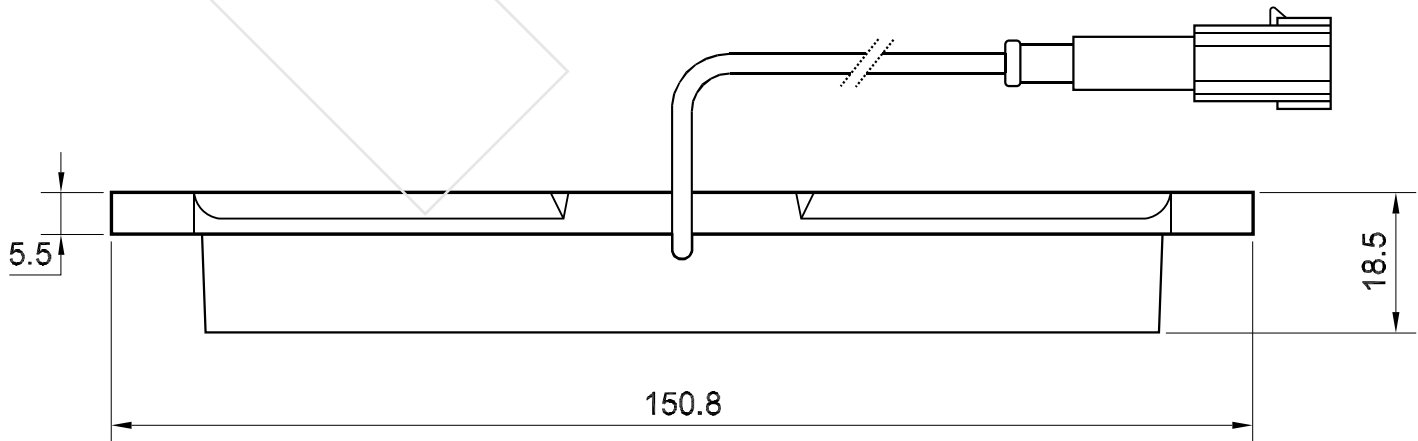
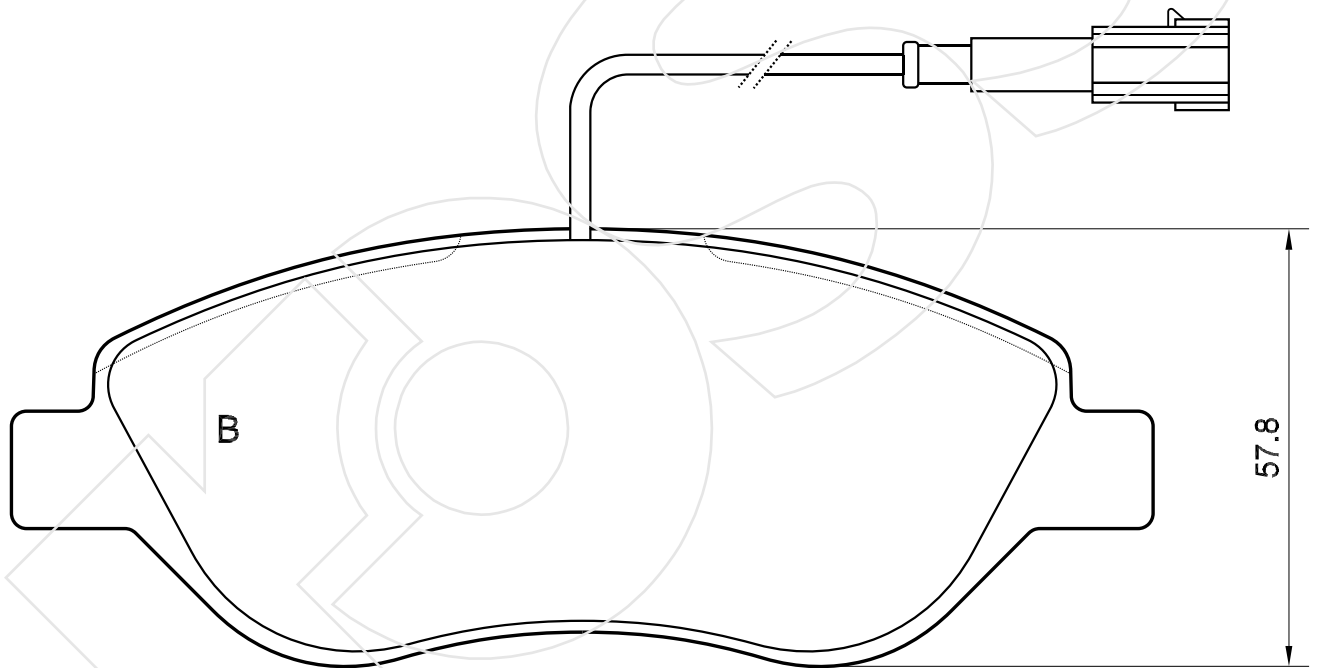
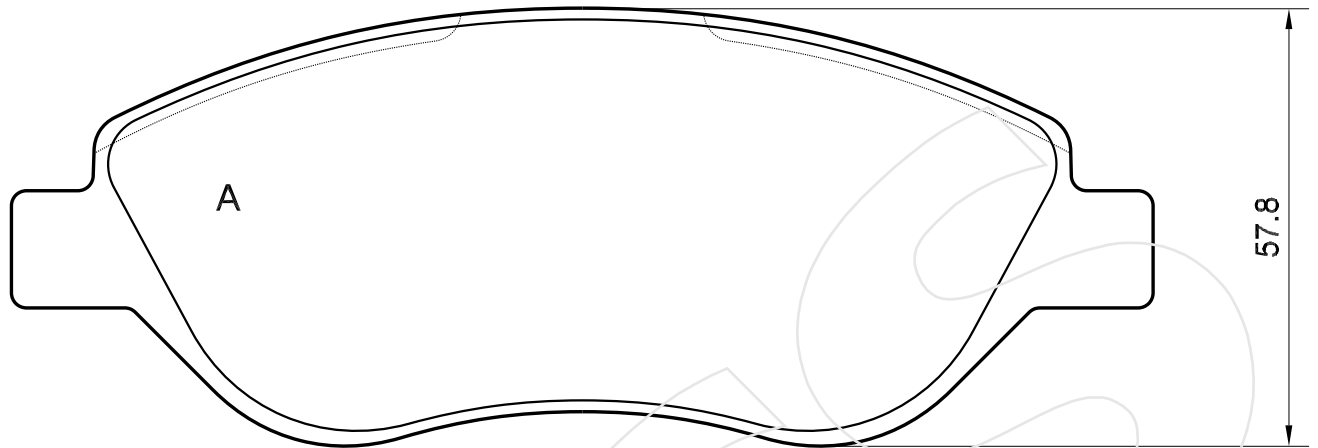
CODICE	IMPIANTO		ASSE	SCALA	APPLICAZIONI
<b>R-943</b>	BOSCH		ANTERIORE	100%	FIAT
CODICE COMPONENTI	N°	L(mm)	SERIE		
*	*	*	3 PEZZI TIPO A		
F3019	1	220	1 PEZZI TIPO B		
*	*	*	*		
*	*	*	*		
CODICE ACCESSORI	N°	L(mm)	NOTE		
*	*	*			
*	*	*			
*	*	*			
*	*	*			



Reference in this Catalogue to other manufactures and to part numbers and other descriptions are for identification purposes only, because the above DISC BRAKE PADS are NOT ORIGINAL but with these interchangeable.

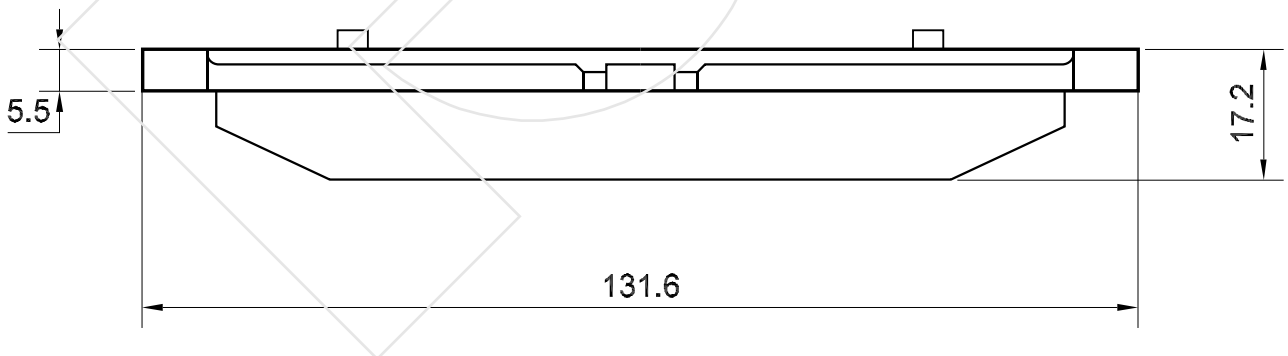
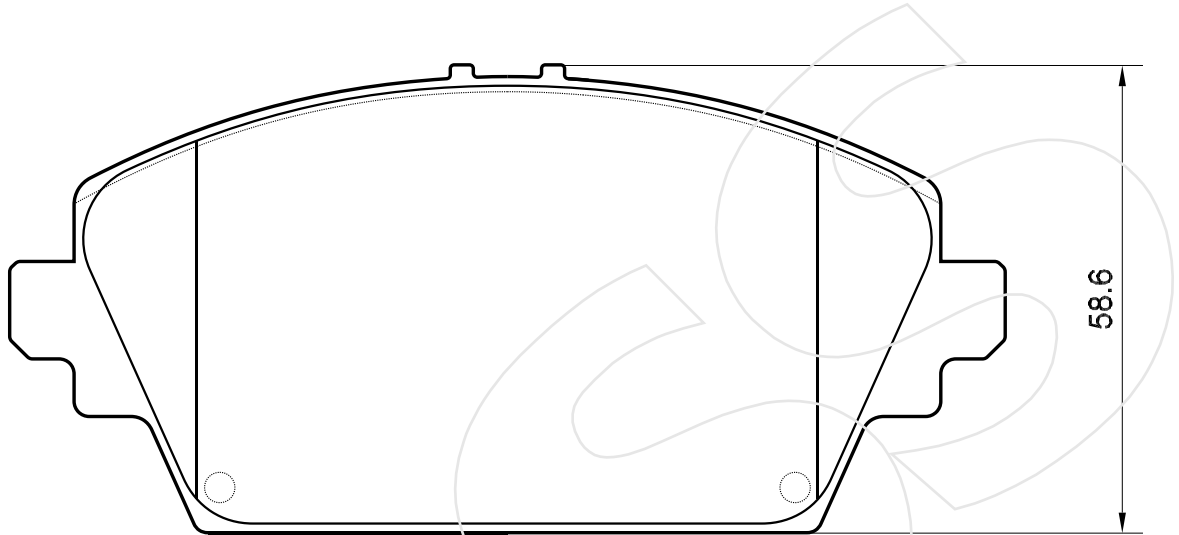


CODICE	IMPIANTO		ASSE	SCALA	APPLICAZIONI
<b>R-944</b>	BOSCH		ANTERIORE	100%	FIAT
CODICE COMPONENTI	N°	L(mm)	SERIE		
*	*	*	3 PEZZI TIPO A		
F3019	1	220	1 PEZZI TIPO B		
*	*	*	*		
*	*	*	*		
CODICE ACCESSORI	N°	L(mm)	NOTE		
*	*	*			
*	*	*			
*	*	*			
*	*	*			



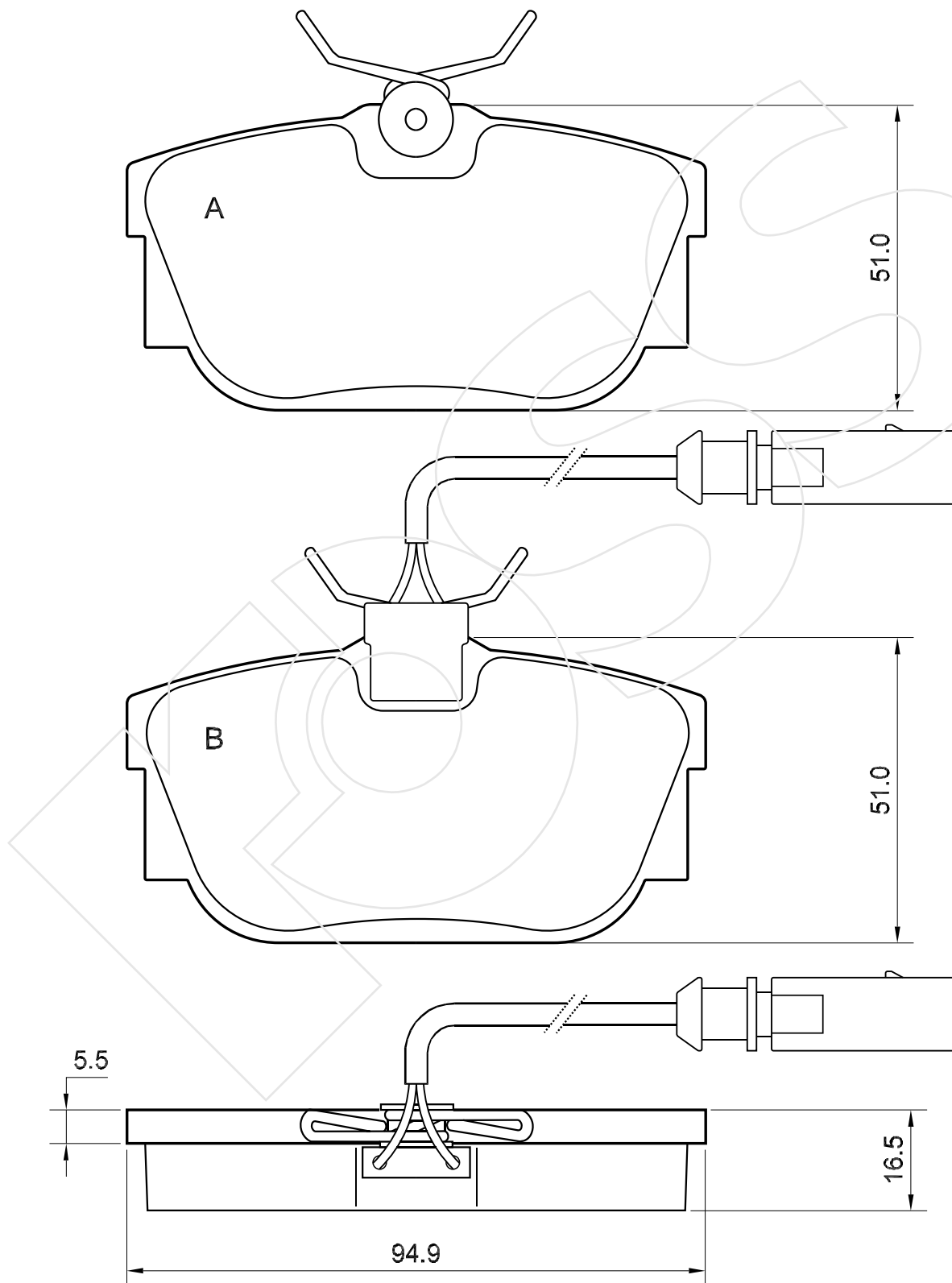
Reference in this Catalogue to other manufactures and to part numbers and other descriptions are for identification purposes only, because the above DISC BRAKE PADS are NOT ORIGINAL but with these interchangeable.

CODICE	IMPIANTO		ASSE	SCALA	APPLICAZIONI
<b>R-945</b>	GIRLING		ANTERIORE	100%	NISSAN
CODICE COMPONENTI	N°	L(mm)	SERIE		
*	*	*	4 PEZZI		
*	*	*	*		
*	*	*	*		
*	*	*	*		
CODICE ACCESSORI	N°	L(mm)	NOTE		
*	*	*			
*	*	*			
*	*	*			
*	*	*			



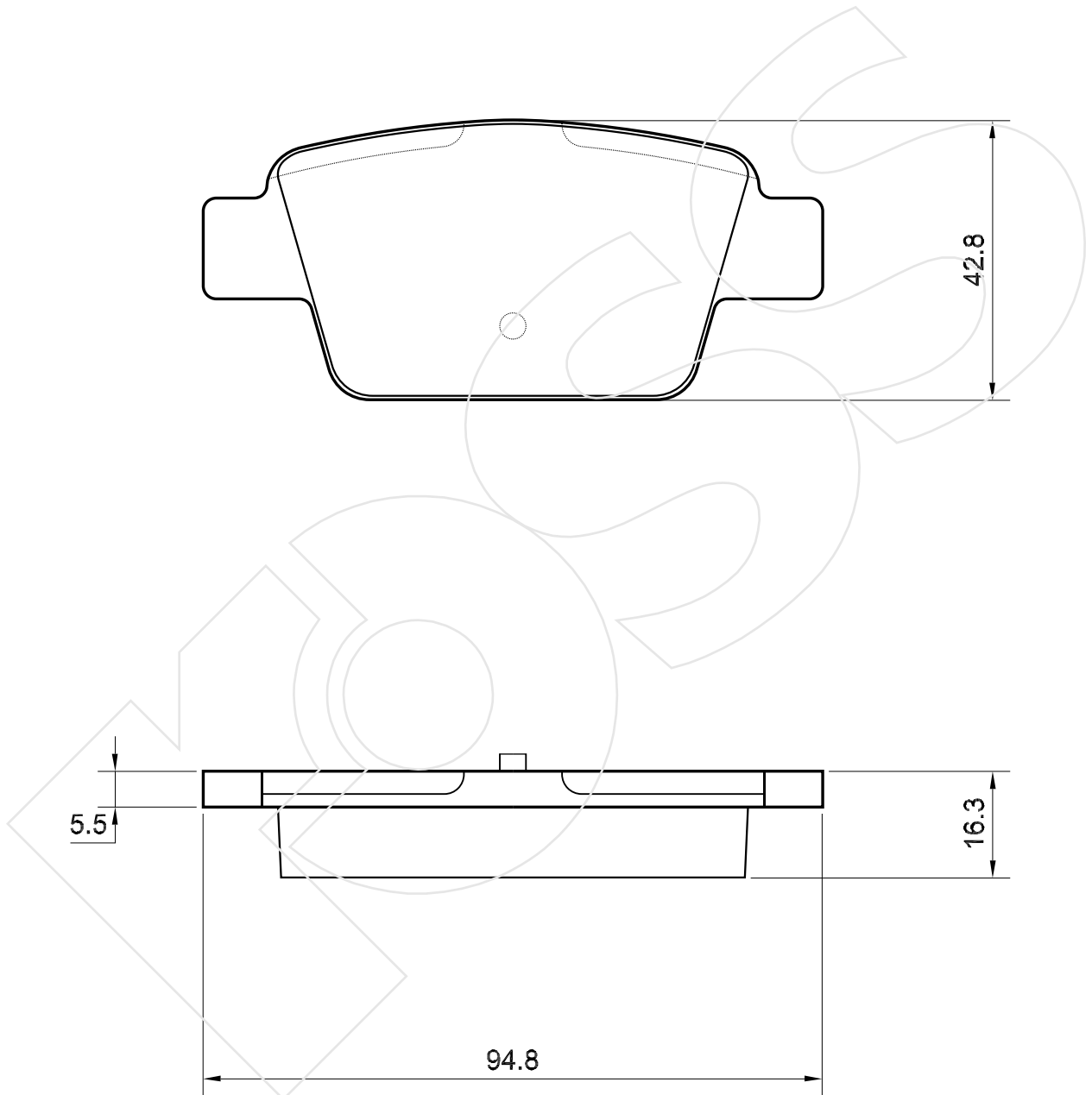
Reference in this Catalogue to other manufactures and to part numbers and other descriptions are for identification purposes only, because the above DISC BRAKE PADS are NOT ORIGINAL but with these interchangeable.

CODICE	IMPIANTO		ASSE	SCALA	APPLICAZIONI
<b>R-946</b>	LUCAS		POSTERIORE	100%	VOLKSWAGEN
CODICE COMPONENTI	N°	L(mm)	SERIE		
M0015+P1004	2+2	*	2 PEZZI TIPO A		
M0015+F3123	2+2	210	2 PEZZI TIPO B		
*	*	*	*		
*	*	*	*		
CODICE ACCESSORI	N°	L(mm)	NOTE		
*	*	*			
*	*	*			
*	*	*			
*	*	*			



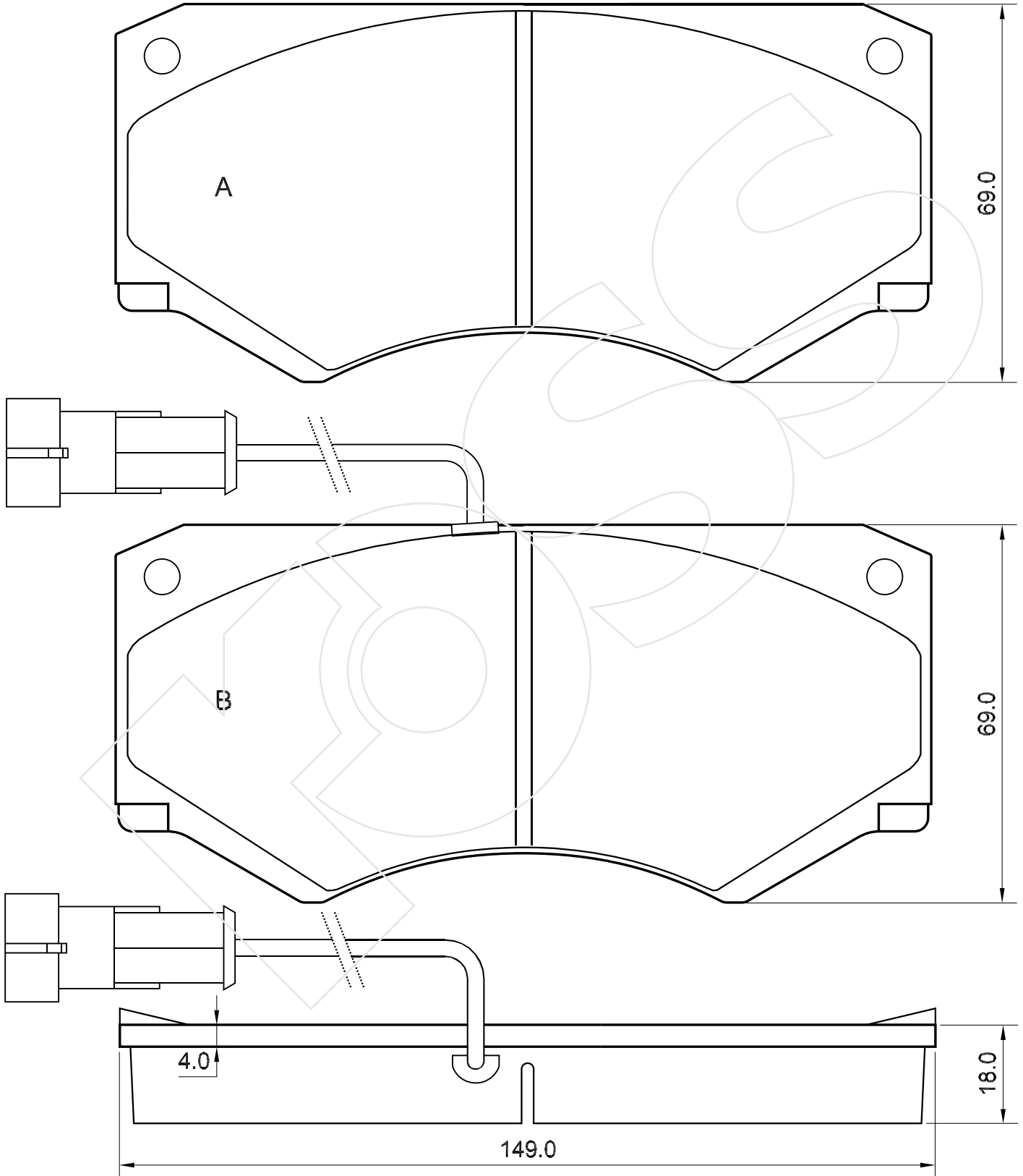
Reference in this Catalogue to other manufactures and to part numbers and other descriptions are for identification purposes only, because the above DISC BRAKE PADS are NOT ORIGINAL but with these interchangeable.

CODICE	IMPIANTO		ASSE	SCALA	APPLICAZIONI
<b>R-947</b>	BOSCH		POSTERIORE	100%	FIAT
CODICE COMPONENTI	N°	L(mm)	SERIE		
*	*	*	4 PEZZI		
*	*	*	*		
*	*	*	*		
*	*	*	*		
CODICE ACCESSORI	N°	L(mm)	NOTE		
*	*	*			
*	*	*			
*	*	*			
*	*	*			



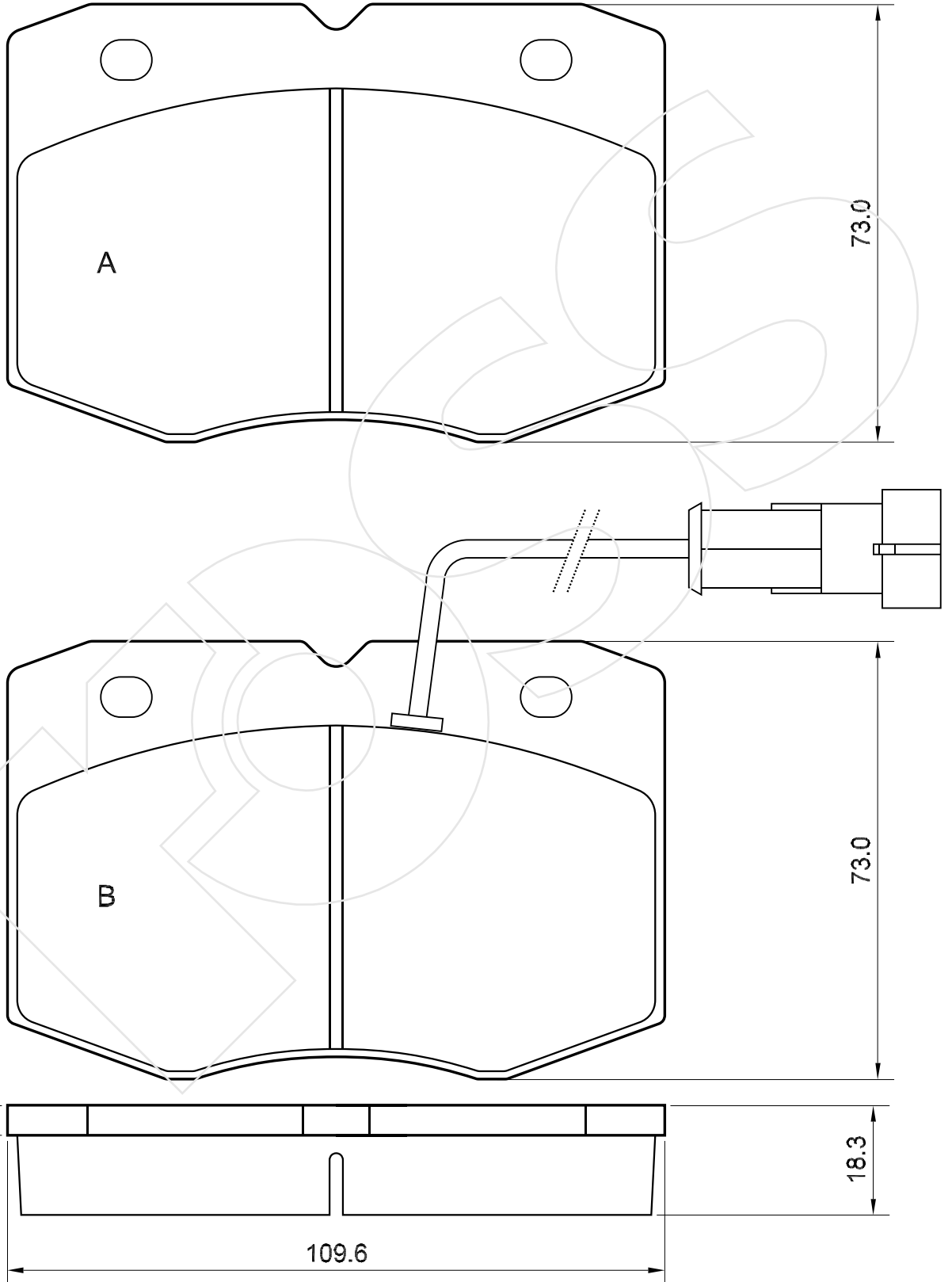
Reference in this Catalogue to other manufactures and to part numbers and other descriptions are for identification purposes only, because the above DISC BRAKE PADS are NOT ORIGINAL but with these interchangeable.

CODICE	IMPIANTO		ASSE	SCALA	APPLICAZIONI
<b>R-948</b>	BREMBO		ANTERIORE	100%	IVECO
CODICE COMPONENTI	N°	L(mm)	SERIE		
*	*	*	2 PEZZI TIPO A		
F3068	2	280	2 PEZZI TIPO B		
*	*	*	*		
*	*	*	*		
CODICE ACCESSORI	N°	L(mm)	NOTE		
*	*	*			
*	*	*			
*	*	*			
*	*	*			



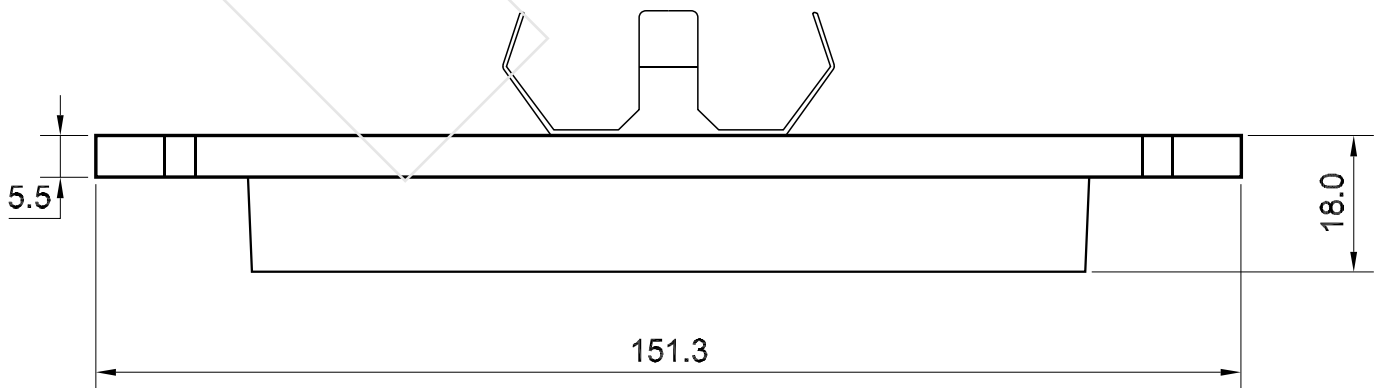
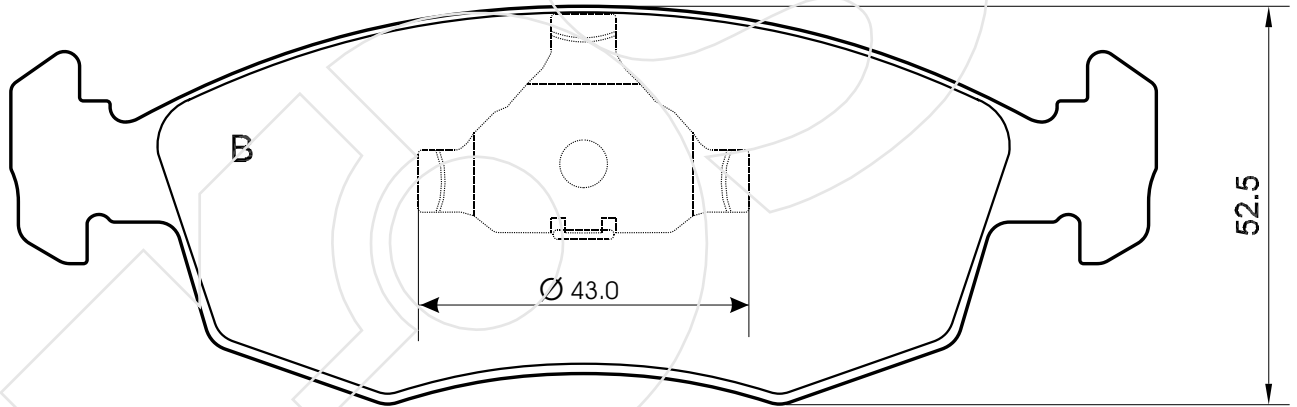
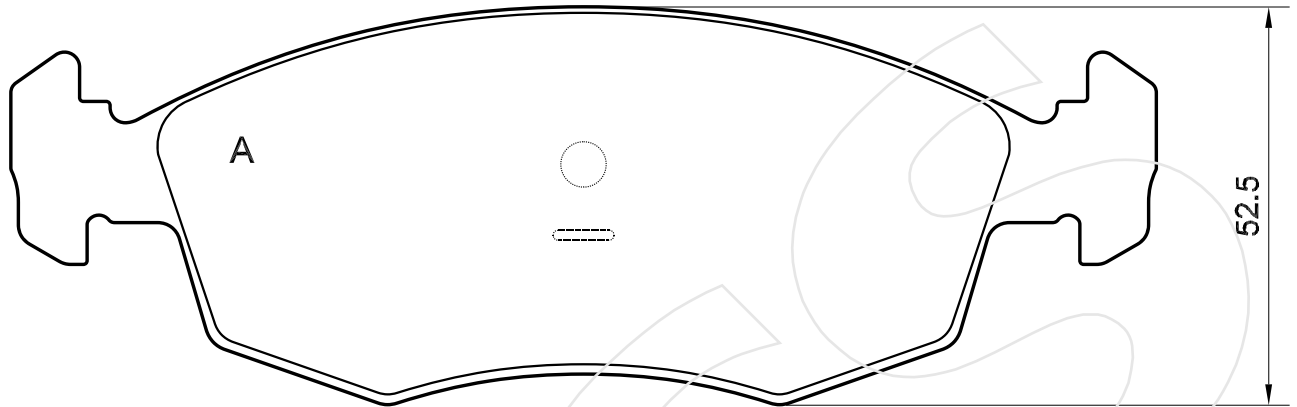
Reference in this Catalogue to other manufactures and to part numbers and other descriptions are for identification purposes only, because the above DISC BRAKE PADS are NOT ORIGINAL but with these interchangeable.

CODICE	IMPIANTO	ASSE	SCALA	APPLICAZIONI
<b>R-949</b>	BREMBO	ANTERIORE	100%	IVECO
CODICE COMPONENTI	N°	L(mm)	SERIE	
*	*	*	2 PEZZI TIPO A	
F3068	2	280	2 PEZZI TIPO B	
*	*	*	*	
*	*	*	*	
CODICE ACCESSORI	N°	L(mm)	NOTE	
*	*	*		
*	*	*		
*	*	*		
*	*	*		



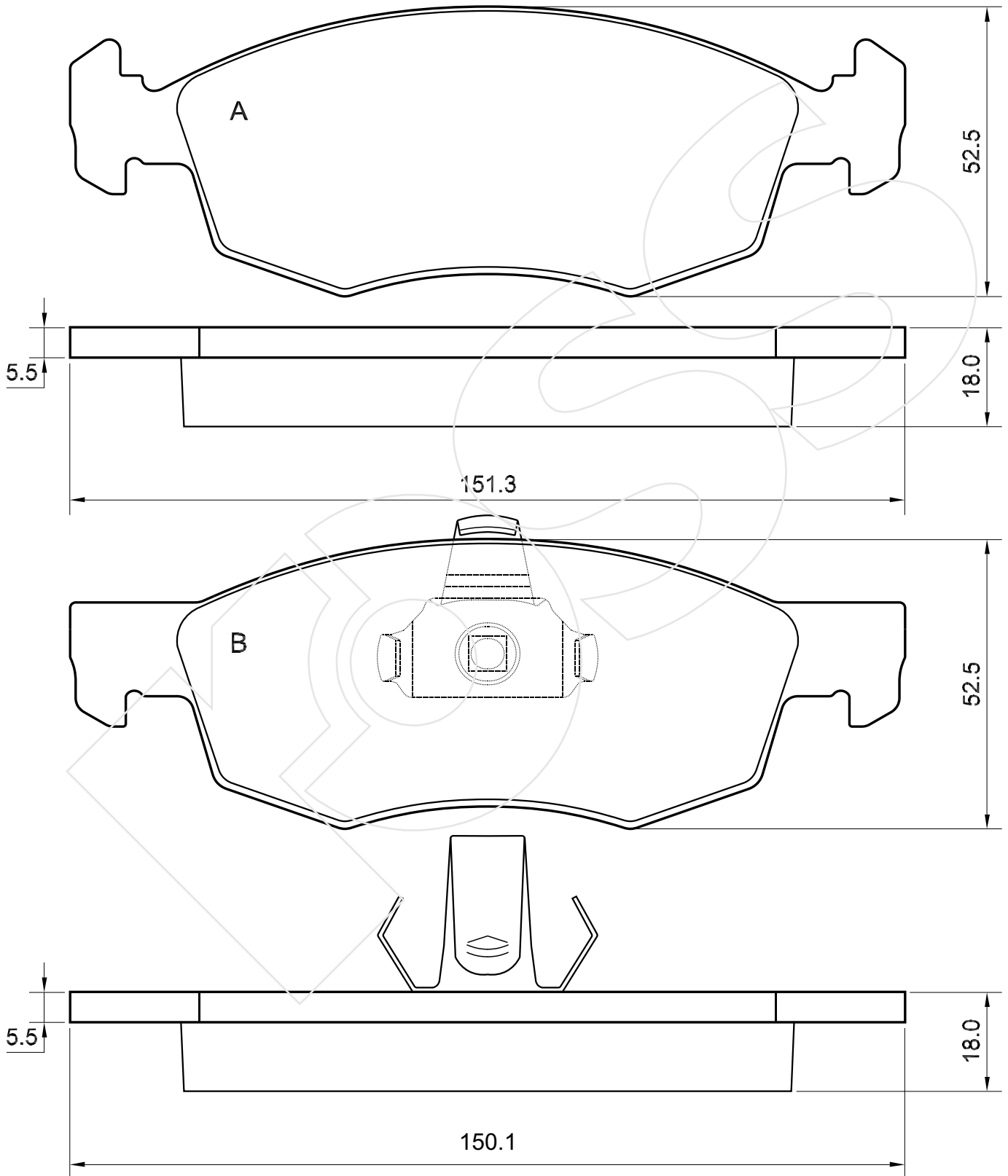
Reference in this Catalogue to other manufactures and to part numbers and other descriptions are for identification purposes only, because the above DISC BRAKE PADS are NOT ORIGINAL but with these interchangeable.

CODICE	IMPIANTO		ASSE	SCALA	APPLICAZIONI
<b>R-950</b>	ATE		ANTERIORE	100%	FIAT
CODICE COMPONENTI	N°	L(mm)	SERIE		MERCURY
*	*	*	2 PEZZI TIPO A		
M0011+P1002	2+2	*	2 PEZZI TIPO B		
*	*	*	*		
*	*	*	*		
CODICE ACCESSORI	N°	L(mm)	NOTE		
*	*	*			
*	*	*			
*	*	*			
*	*	*			



Reference in this Catalogue to other manufactures and to part numbers and other descriptions are for identification purposes only, because the above DISC BRAKE PADS are NOT ORIGINAL but with these interchangeable.

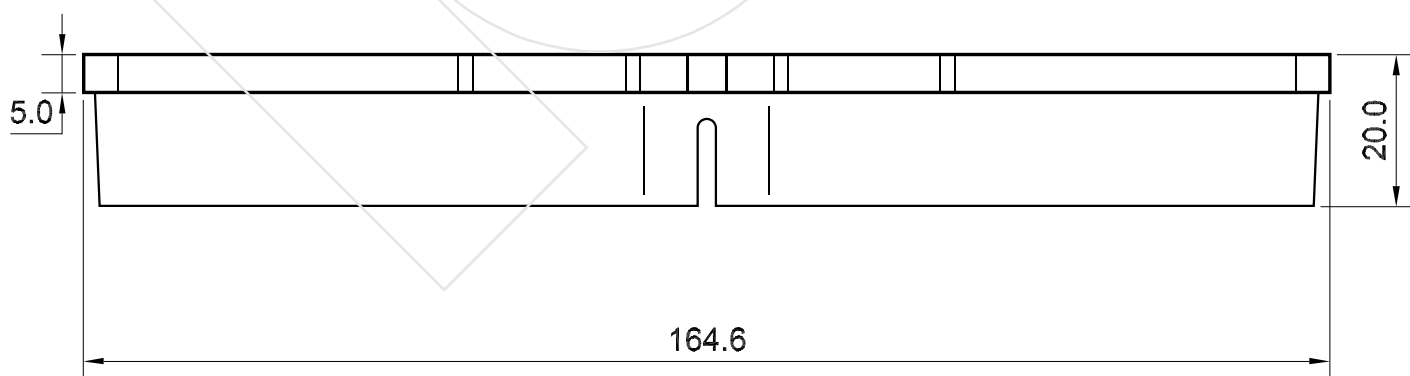
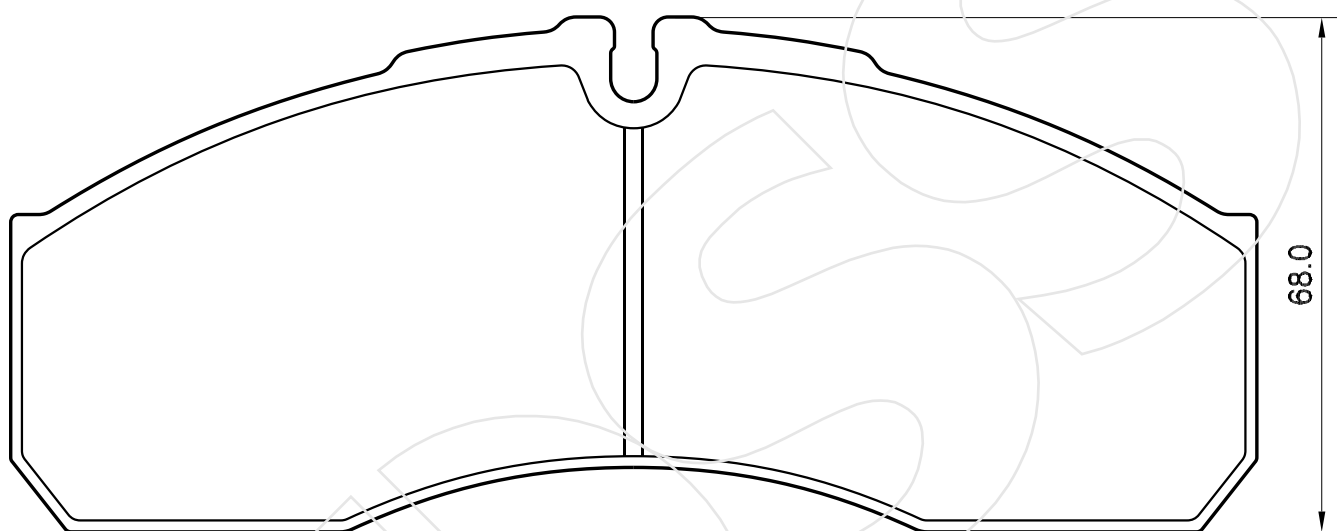
CODICE	IMPIANTO		ASSE	SCALA	APPLICAZIONI
<b>R-951</b>	ATE		ANTERIORE	100%	FIAT
CODICE COMPONENTI	N°	L(mm)	SERIE		
*	*	*	2 PEZZI TIPO A		
M0133	2	*	2 PEZZI TIPO B		
*	*	*	*		
*	*	*	*		
CODICE ACCESSORI	N°	L(mm)	NOTE		
*	*	*			
*	*	*			
*	*	*			
*	*	*			



Reference in this Catalogue to other manufactures and to part numbers and other descriptions are for identification purposes only, because the above DISC BRAKE PADS are NOT ORIGINAL but with these interchangeable.

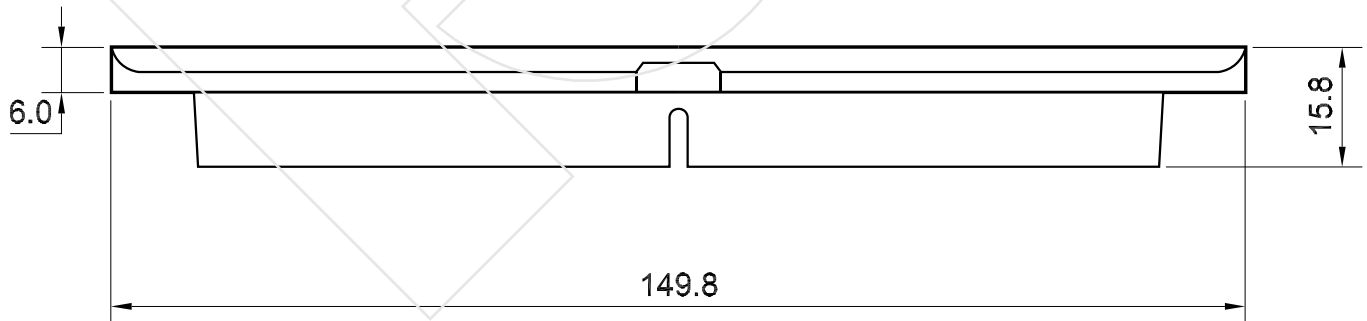
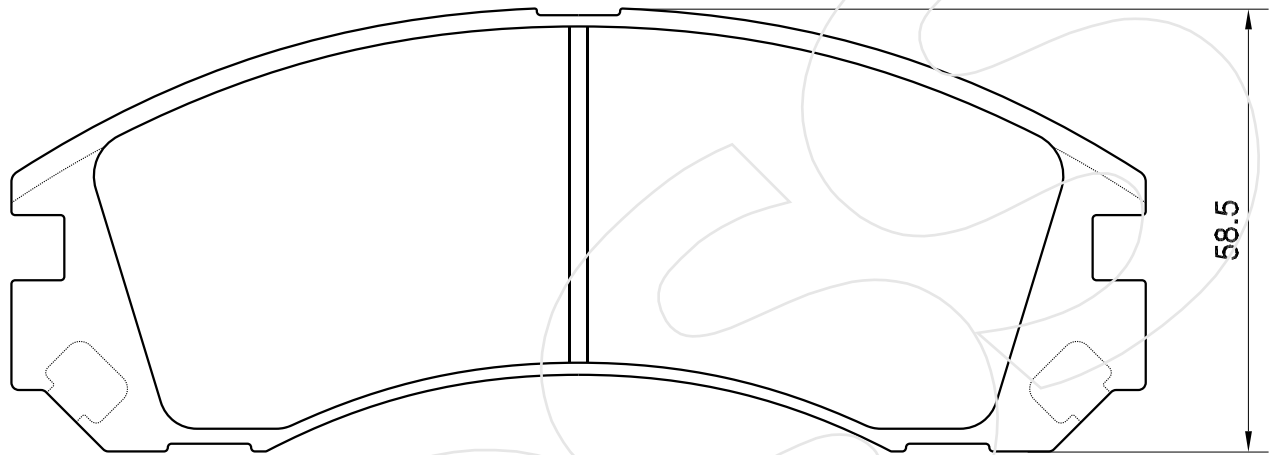


CODICE	IMPIANTO		ASSE	SCALA	APPLICAZIONI
<b>R-952</b>	BREMBO		ANTERIORE/POSTERIORE	100%	IVECO
CODICE COMPONENTI	N°	L(mm)	SERIE		RENAULT
*	*	*	4 PEZZI		MERCEDES
*	*	*	*		
*	*	*	*		
*	*	*	*		
CODICE ACCESSORI	N°	L(mm)	NOTE		
*	*	*			
*	*	*			
*	*	*			
*	*	*			



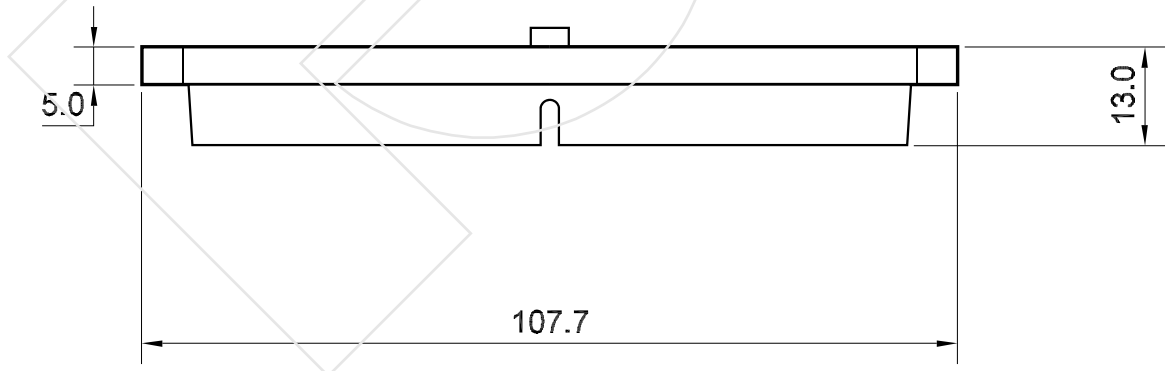
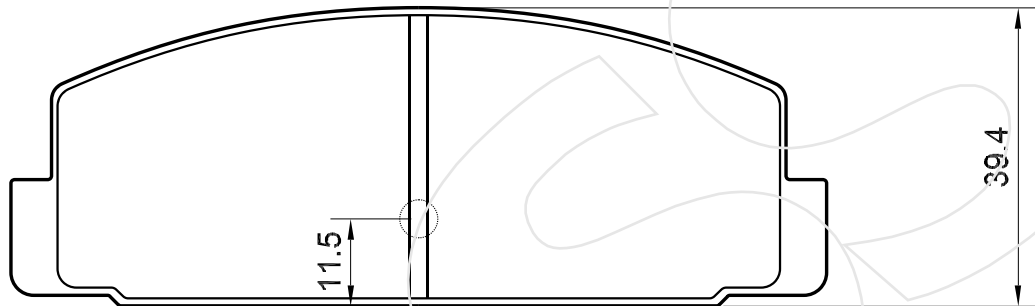
Reference in this Catalogue to other manufactures and to part numbers and other descriptions are for identification purposes only, because the above DISC BRAKE PADS are NOT ORIGINAL but with these interchangeable.

CODICE	IMPIANTO		ASSE	SCALA	APPLICAZIONI
<b>R-953</b>	AKEBONO		ANTERIORE	100%	MITSUBISHI
CODICE COMPONENTI	N°	L(mm)	SERIE		
*	*	*	4 PEZZI		
*	*	*	*		
*	*	*	*		
*	*	*	*		
*	*	*	*		
CODICE ACCESSORI	N°	L(mm)	NOTE		
*	*	*			
*	*	*			
*	*	*			
*	*	*			



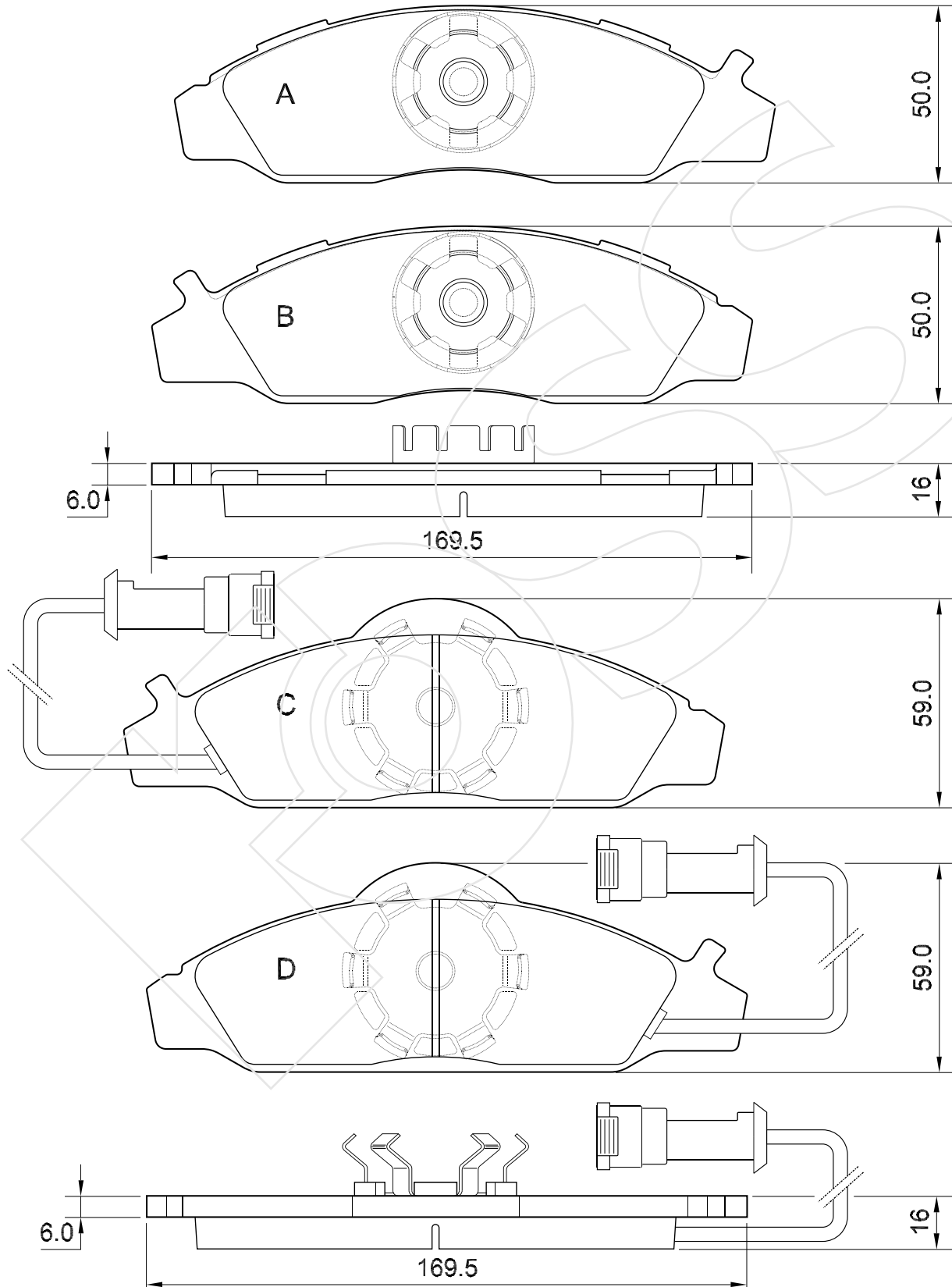
Reference in this Catalogue to other manufactures and to part numbers and other descriptions are for identification purposes only, because the above DISC BRAKE PADS are NOT ORIGINAL but with these interchangeable.

CODICE	IMPIANTO		ASSE	SCALA	APPLICAZIONI
<b>R-954</b>	AKEBONO		POSTERIORE	100%	MAZDA
CODICE COMPONENTI	N°	L(mm)	SERIE		
*	*	*	4 PEZZI		
*	*	*			
*	*	*			
*	*	*			
CODICE ACCESSORI	N°	L(mm)	NOTE		
*	*	*			
*	*	*			
*	*	*			
*	*	*			



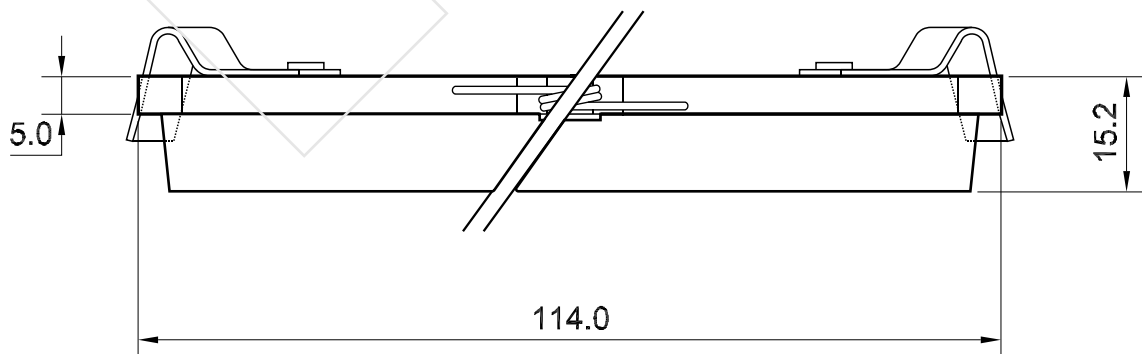
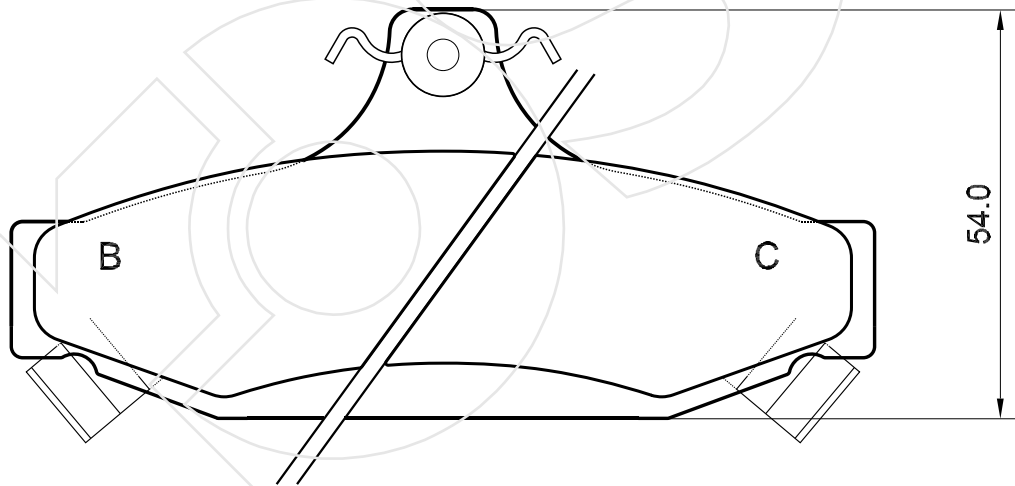
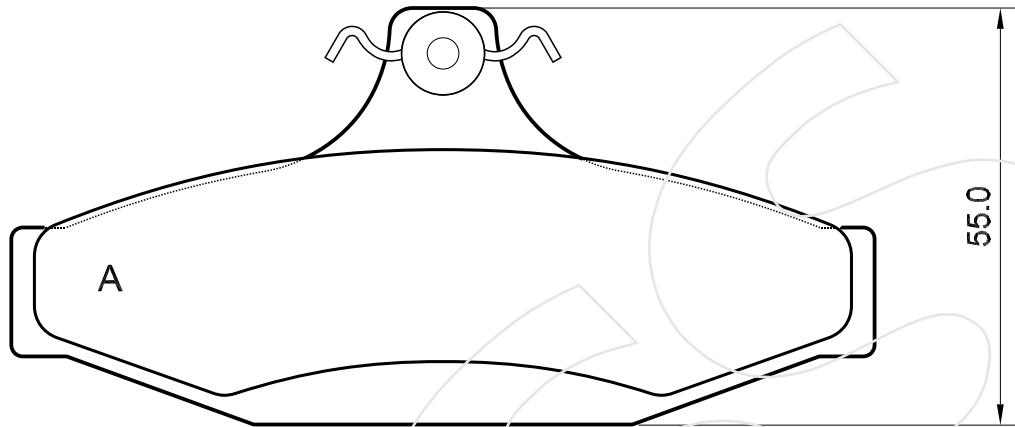
Reference in this Catalogue to other manufactures and to part numbers and other descriptions are for identification purposes only, because the above DISC BRAKE PADS are NOT ORIGINAL but with these interchangeable.

CODICE	IMPIANTO		ASSE	SCALA	APPLICAZIONI
<b>R-955</b>	LUCAS		ANTERIORE	60%	SSANGYONG
CODICE COMPONENTI	N°	L(mm)	SERIE		
M0250+M0259+M0264	1+1+1	*	1 PEZZO TIPO A		
M0250+M0259+M0264	1+1+1	*	1 PEZZO TIPO B		
M0265+F3023	1+1	260	1 PEZZO TIPO C		
M0265+F3023	1+1	260	1 PEZZO TIPO D		
CODICE ACCESSORI	N°	L(mm)	NOTE		
*	*	*			
*	*	*			
*	*	*			
*	*	*			



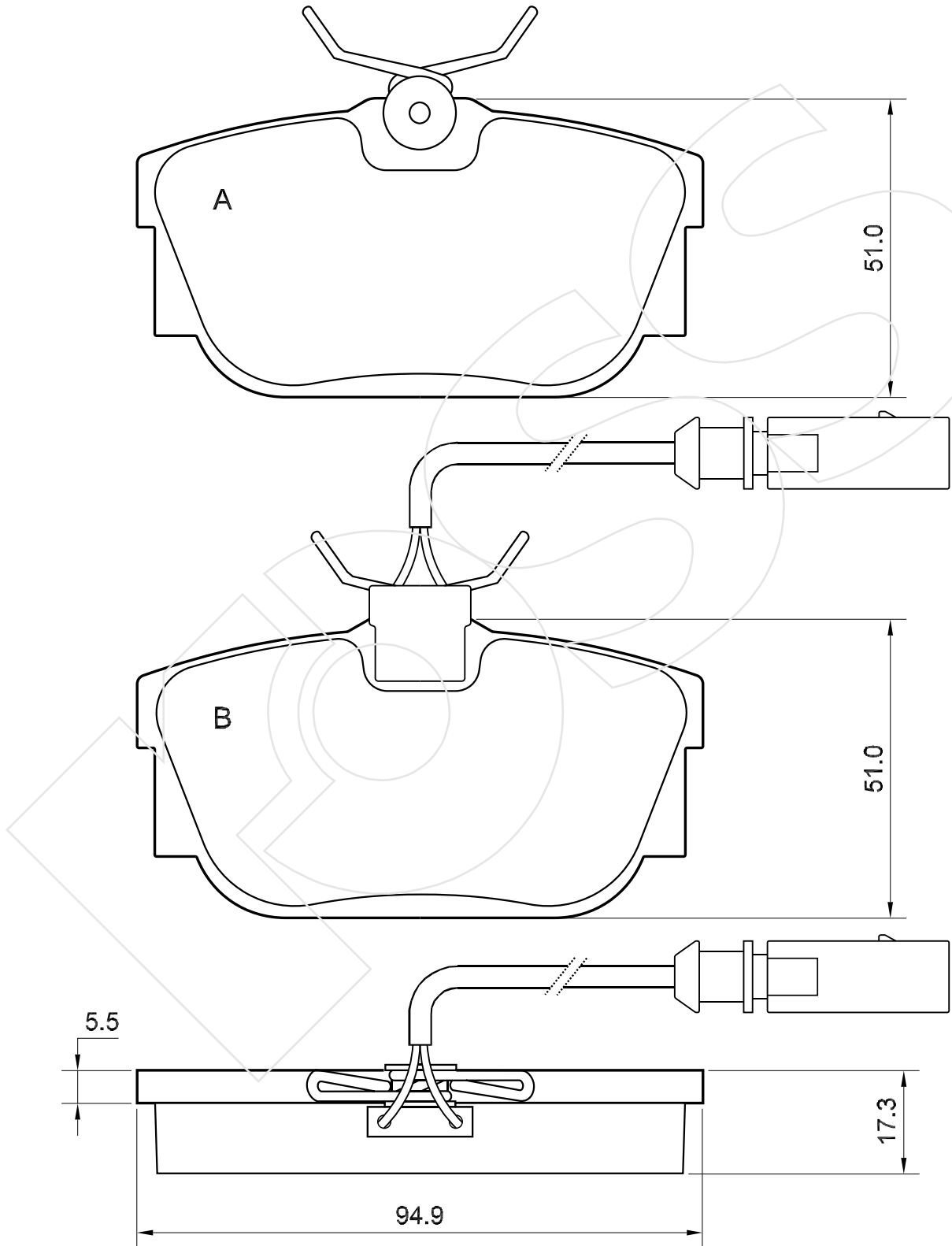
Reference in this Catalogue to other manufactures and to part numbers and other descriptions are for identification purposes only, because the above DISC BRAKE PADS are NOT ORIGINAL but with these interchangeable.

CODICE	IMPIANTO	ASSE	SCALA	APPLICAZIONI
<b>R-956</b>	LUCAS	POSTERIORE	100%	SSANGYONG
CODICE COMPONENTI	N°	L(mm)	SERIE	
M0030+P1011	2+2	*	2 PEZZI TIPO A	
M0030+P1011+M0076	1+1+1	*	1 PEZZO TIPO B	
M0030+P1011+M0076	1+1+1	*	1 PEZZO TIPO C	
*	*	*	*	
CODICE ACCESSORI	N°	L(mm)	NOTE	
*	*	*		
*	*	*		
*	*	*		
*	*	*		



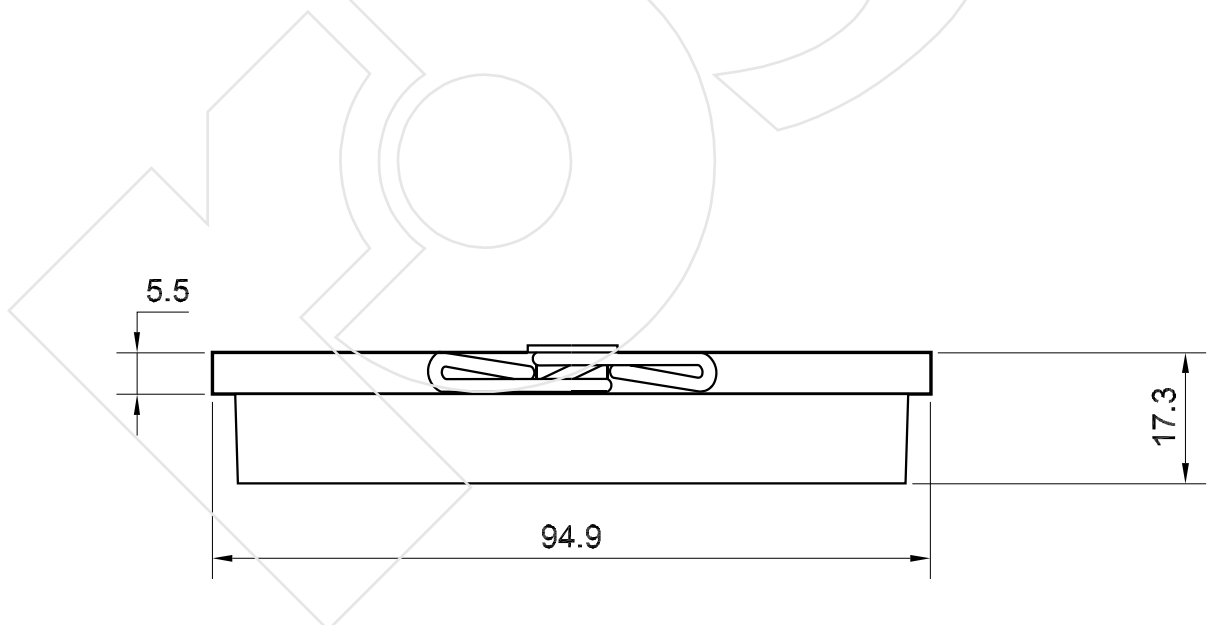
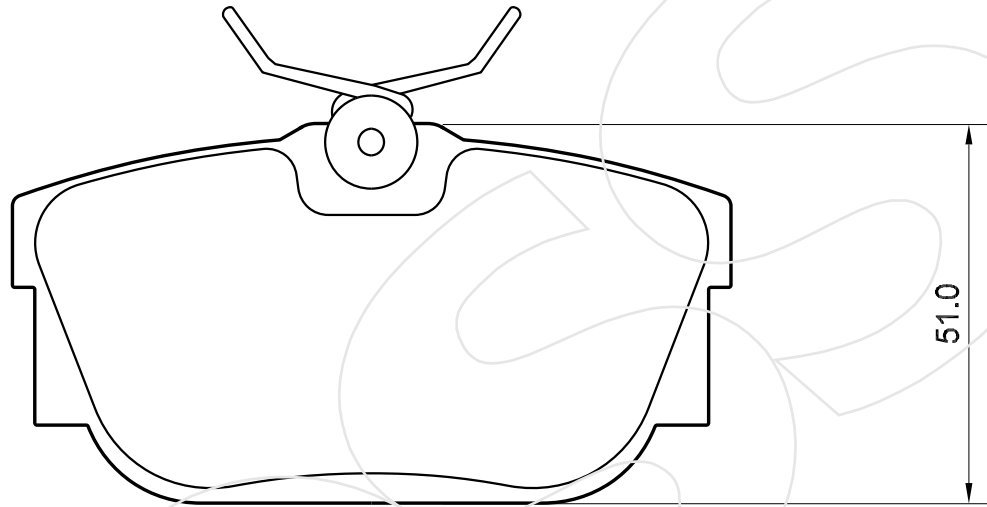
Reference in this Catalogue to other manufactures and to part numbers and other descriptions are for identification purposes only, because the above DISC BRAKE PADS are NOT ORIGINAL but with these interchangeable.

CODICE	IMPIANTO	ASSE	SCALA	APPLICAZIONI
<b>R-957</b>	LUCAS	POSTERIORE	100%	VOLKSWAGEN
CODICE COMPONENTI	N°	L(mm)	SERIE	
M0015+P1004	2+2	*	2 PEZZI TIPO A	
M0015+F3123	2+2	210	2 PEZZI TIPO B	
*	*	*	*	
*	*	*	*	
CODICE ACCESSORI	N°	L(mm)	NOTE	
*	*	*		
*	*	*		
*	*	*		
*	*	*		



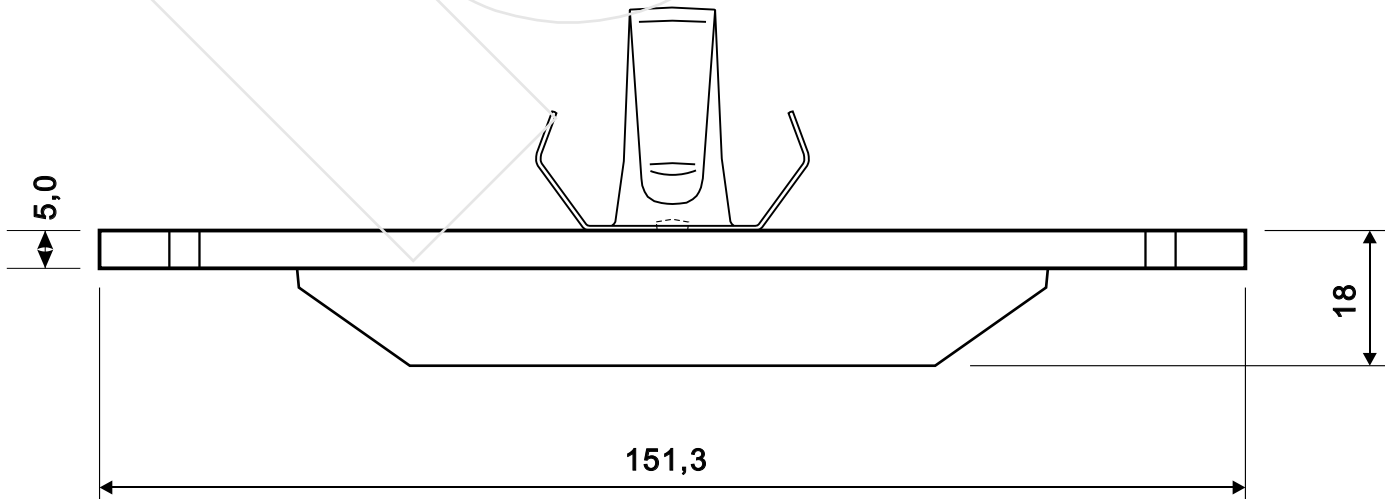
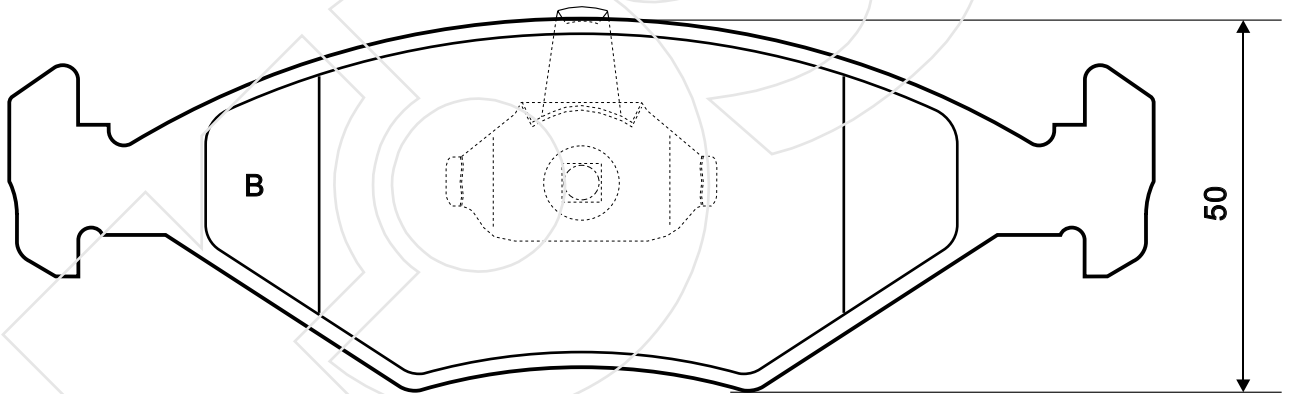
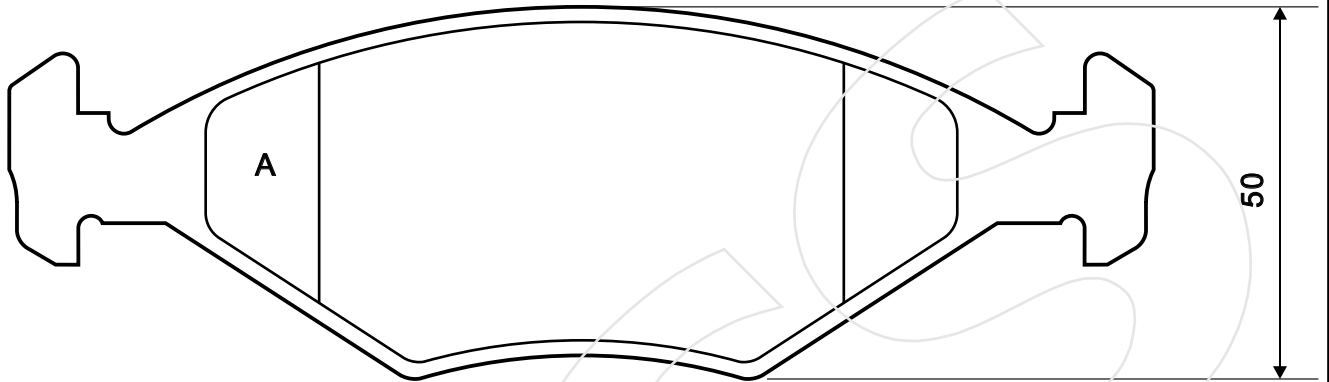
Reference in this Catalogue to other manufactures and to part numbers and other descriptions are for identification purposes only, because the above DISC BRAKE PADS are NOT ORIGINAL but with these interchangeable.

CODICE	IMPIANTO	ASSE	SCALA	APPLICAZIONI
<b>R-958</b>	LUCAS	POSTERIORE	100%	VOLKSWAGEN
CODICE COMPONENTI	N°	L(mm)	SERIE	
M0015+P1004	4	*	4 PEZZI	
*	*	*	*	
*	*	*	*	
*	*	*	*	
CODICE ACCESSORI	N°	L(mm)	NOTE	
*	*	*		
*	*	*		
*	*	*		
*	*	*		



Reference in this Catalogue to other manufactures and to part numbers and other descriptions are for identification purposes only, because the above DISC BRAKE PADS are NOT ORIGINAL but with these interchangeable.

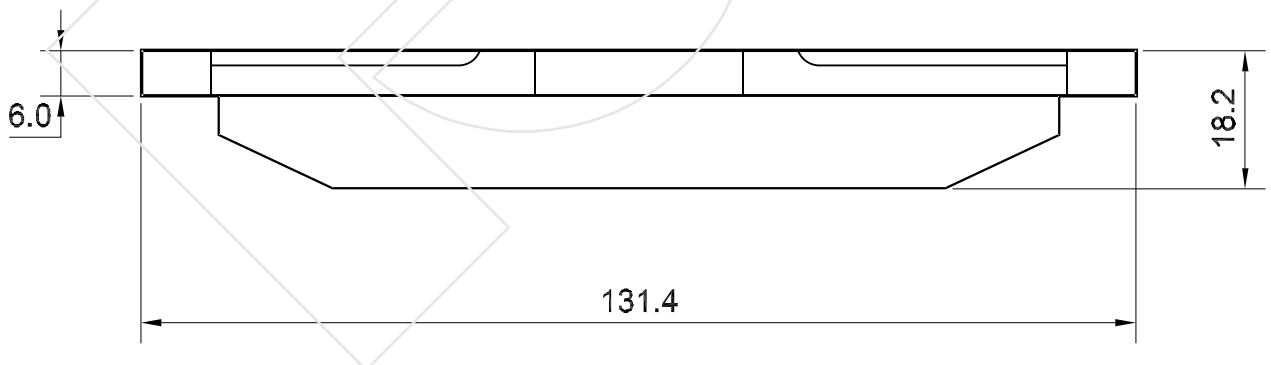
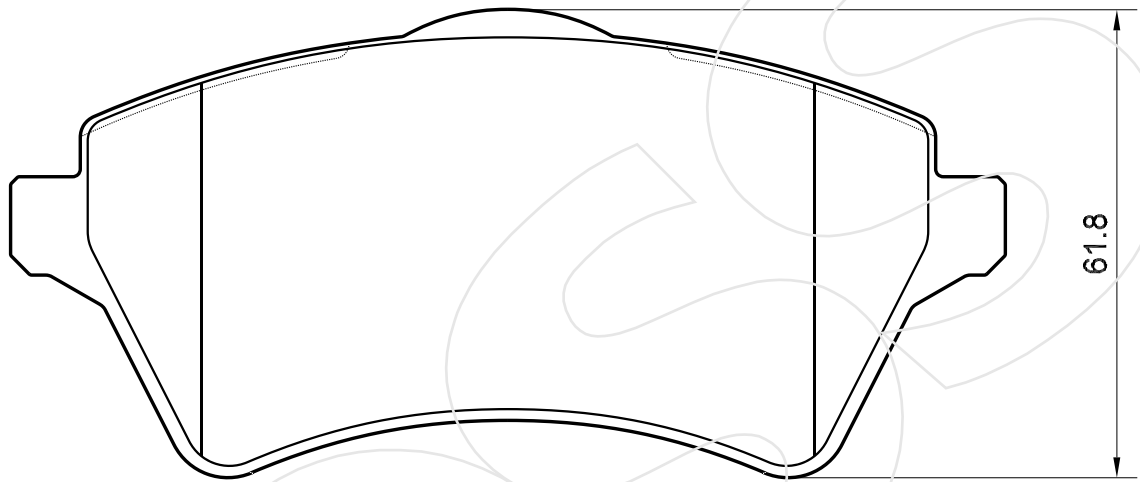
CODICE	IMPIANTO		ASSE	SCALA	APPLICAZIONI
<b>R-959</b>	ATE		ANTERIORE	1:1	FIAT
CODICE COMPONENTI	N°	L(mm)	SERIE		
*	*	*	2 PEZZI TIPO A		
M0133	2	*	2 PEZZI TIPO B		
*	*	*			
*	*	*			
CODICE ACCESSORI	N°	L(mm)	NOTE		
*	*	*			
*	*	*			
*	*	*			
*	*	*			



Reference in this Catalogue to other manufactures and to part numbers and other descriptions are for identification purposes only, because the above DISC BRAKE PADS are NOT ORIGINAL but with these interchangeable.

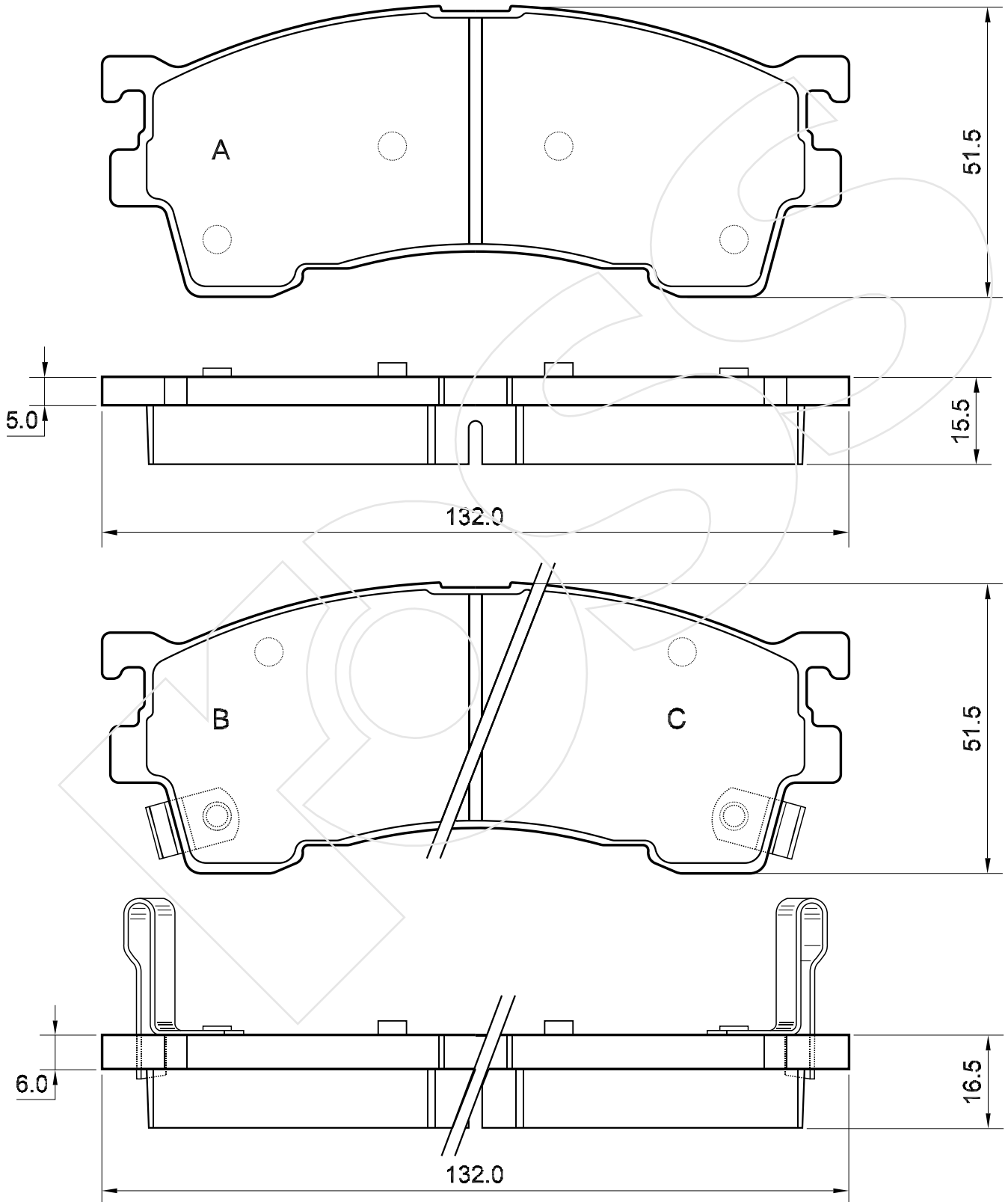


CODICE	IMPIANTO		ASSE	SCALA	APPLICAZIONI
<b>R-960</b>	LUCAS		ANTERIORE	100%	LAND ROVER
CODICE COMPONENTI	N°	L(mm)	SERIE		
*	*	*	4 PEZZI		
*	*	*			
*	*	*			
*	*	*			
CODICE ACCESSORI	N°	L(mm)	NOTE		
*	*	*			
*	*	*			
*	*	*			
*	*	*			



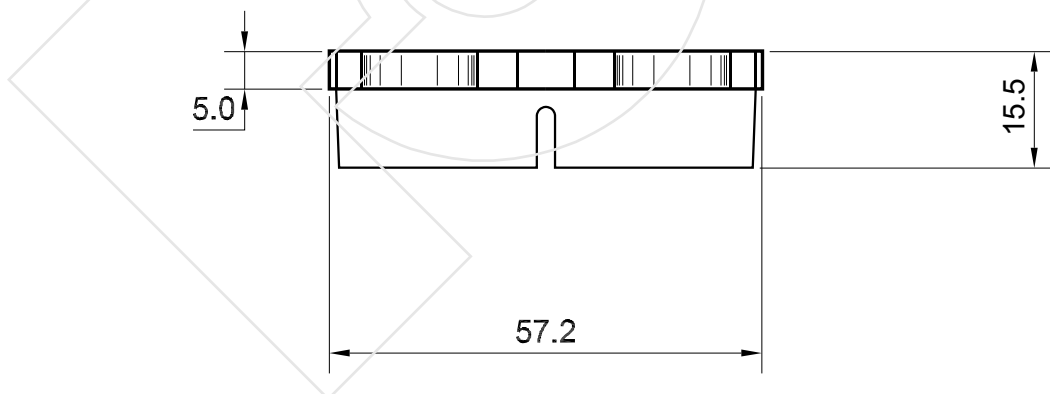
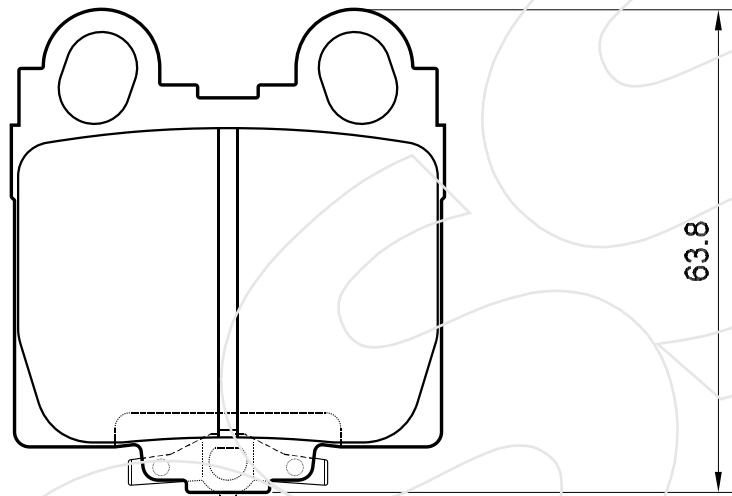
Reference in this Catalogue to other manufactures and to part numbers and other descriptions are for identification purposes only, because the above DISC BRAKE PADS are NOT ORIGINAL but with these interchangeable.

CODICE	IMPIANTO		ASSE	SCALA	APPLICAZIONI
<b>R-961</b>	SUMITOMO		ANTERIORE	100%	FORD MAZDA
CODICE COMPONENTI	N°	L(mm)	SERIE		
*	*	*	2 PEZZI TIPO A		
M0109	1	*	1 PEZZO TIPO B		
M0109	1	*	1 PEZZO TIPO C		
*	*	*	*		
CODICE ACCESSORI	N°	L(mm)	NOTE		
*	*	*			
*	*	*			
*	*	*			
*	*	*			



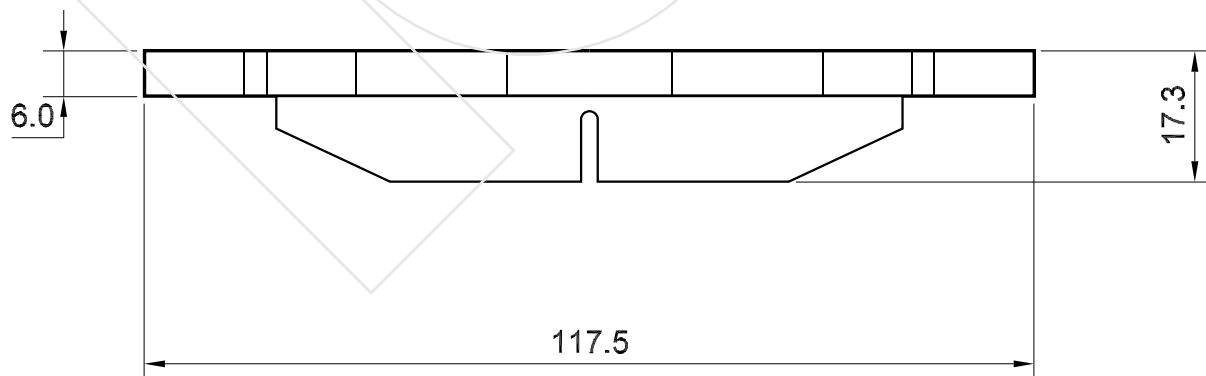
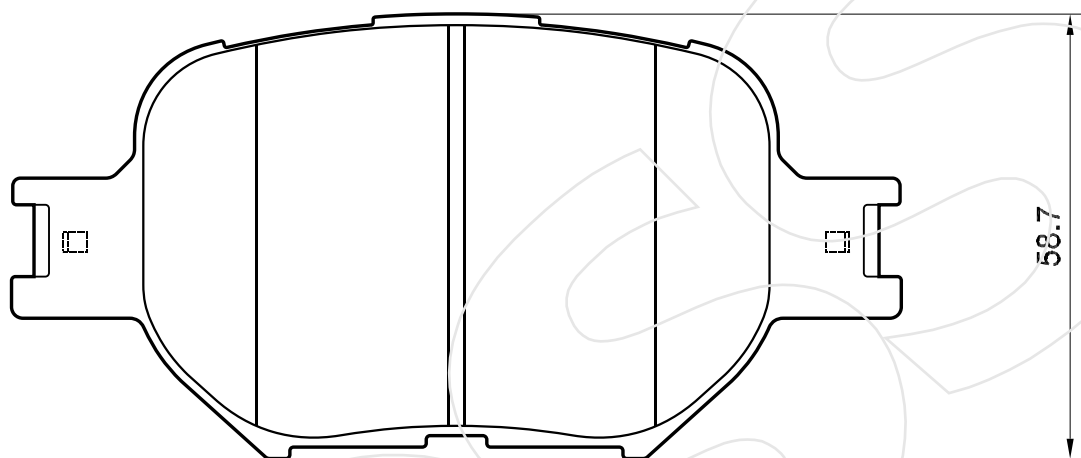
Reference in this Catalogue to other manufactures and to part numbers and other descriptions are for identification purposes only, because the above DISC BRAKE PADS are NOT ORIGINAL but with these interchangeable.

CODICE	IMPIANTO		ASSE	SCALA	APPLICAZIONI
<b>R-962</b>	SUMITOMO		POSTERIORE	100%	TOYOTA LEXUS
CODICE COMPONENTI	N°	L(mm)	SERIE		
M0262	4	*	4 PEZZI		
*	*	*	*		
*	*	*	*		
*	*	*	*		
CODICE ACCESSORI	N°	L(mm)	NOTE		
*	*	*			
*	*	*			
*	*	*			



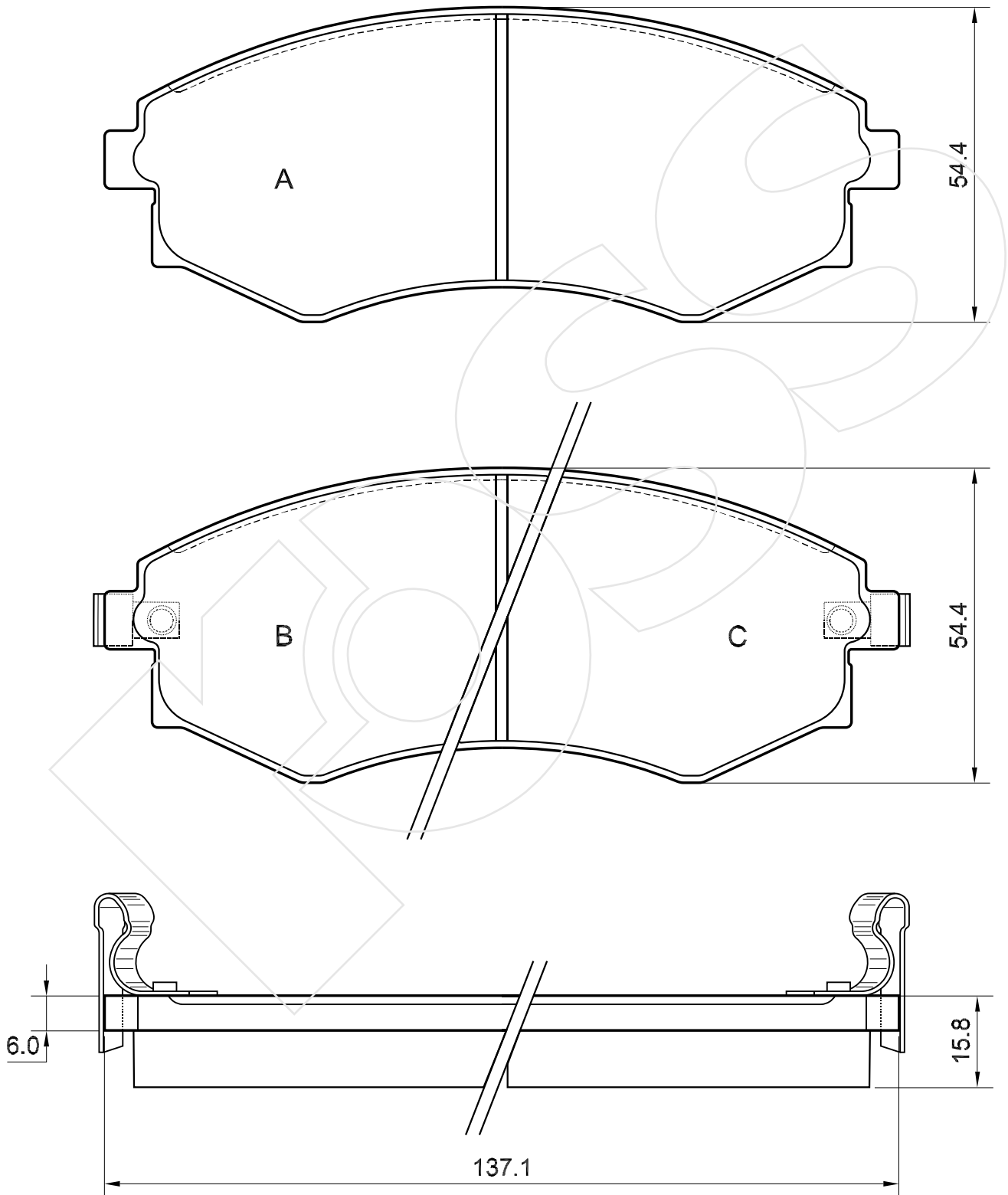
Reference in this Catalogue to other manufactures and to part numbers and other descriptions are for identification purposes only, because the above DISC BRAKE PADS are NOT ORIGINAL but with these interchangeable.

CODICE	IMPIANTO	ASSE	SCALA	APPLICAZIONI
<b>R-963</b>	AKEBONO	ANTERIORE	100%	TOYOTA
CODICE COMPONENTI	N°	L(mm)	SERIE	
*	*	*	4 PEZZI	
*	*	*	*	
*	*	*	*	
*	*	*	*	
CODICE ACCESSORI	N°	L(mm)	NOTE	
*	*	*		
*	*	*		
*	*	*		
*	*	*		



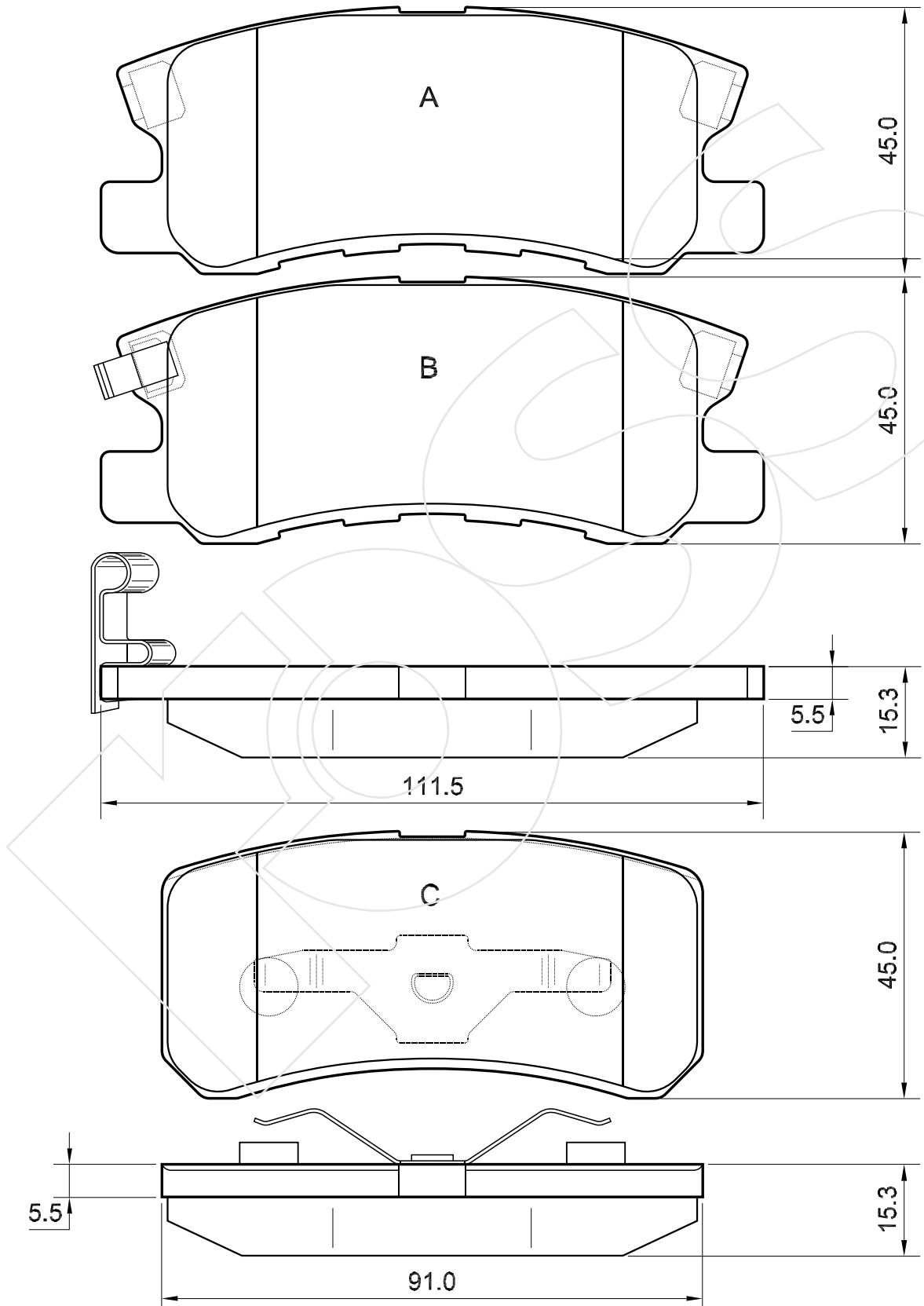
Reference in this Catalogue to other manufactures and to part numbers and other descriptions are for identification purposes only, because the above DISC BRAKE PADS are NOT ORIGINAL but with these interchangeable.

CODICE	IMPIANTO	ASSE	SCALA	APPLICAZIONI
<b>R-964</b>	AKEBONO	ANTERIORE	100%	KYA HYUNDAI
CODICE COMPONENTI	N°	L(mm)	SERIE	
*	*	*	2 PEZZI TIPO A	
M0074	1	*	1 PEZZO TIPO B	
M0074	1	*	1 PEZZO TIPO C	
*	*	*	*	
CODICE ACCESSORI	N°	L(mm)	NOTE	
*	*	*		
*	*	*		
*	*	*		
*	*	*		



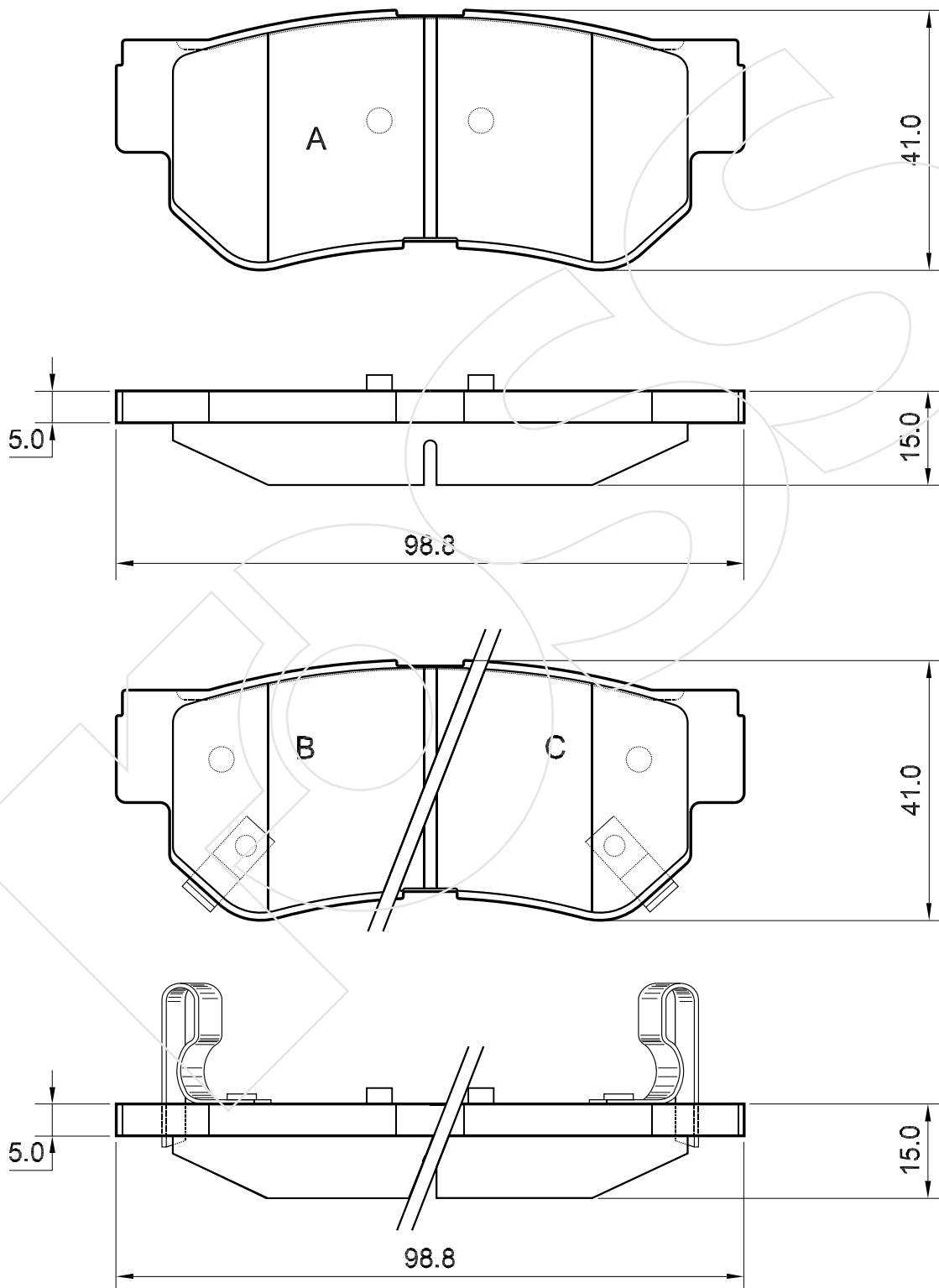
Reference in this Catalogue to other manufactures and to part numbers and other descriptions are for identification purposes only, because the above DISC BRAKE PADS are NOT ORIGINAL but with these interchangeable.

CODICE	IMPIANTO		ASSE	SCALA	APPLICAZIONI
<b>R-965</b>	AKEBONO		POSTERIORE	100%	MITSUBISHI
CODICE COMPONENTI	N°	L(mm)	SERIE		
*	1	*	1 PEZZI TIPO A		
M0251	1	*	1 PEZZO TIPO B		
M0072	2	*	2 PEZZO TIPO C		
*	*	*	*		
CODICE ACCESSORI	N°	L(mm)	NOTE		
*	*	*			
*	*	*			
*	*	*			
*	*	*			



Reference in this Catalogue to other manufactures and to part numbers and other descriptions are for identification purposes only, because the above DISC BRAKE PADS are NOT ORIGINAL but with these interchangeable.

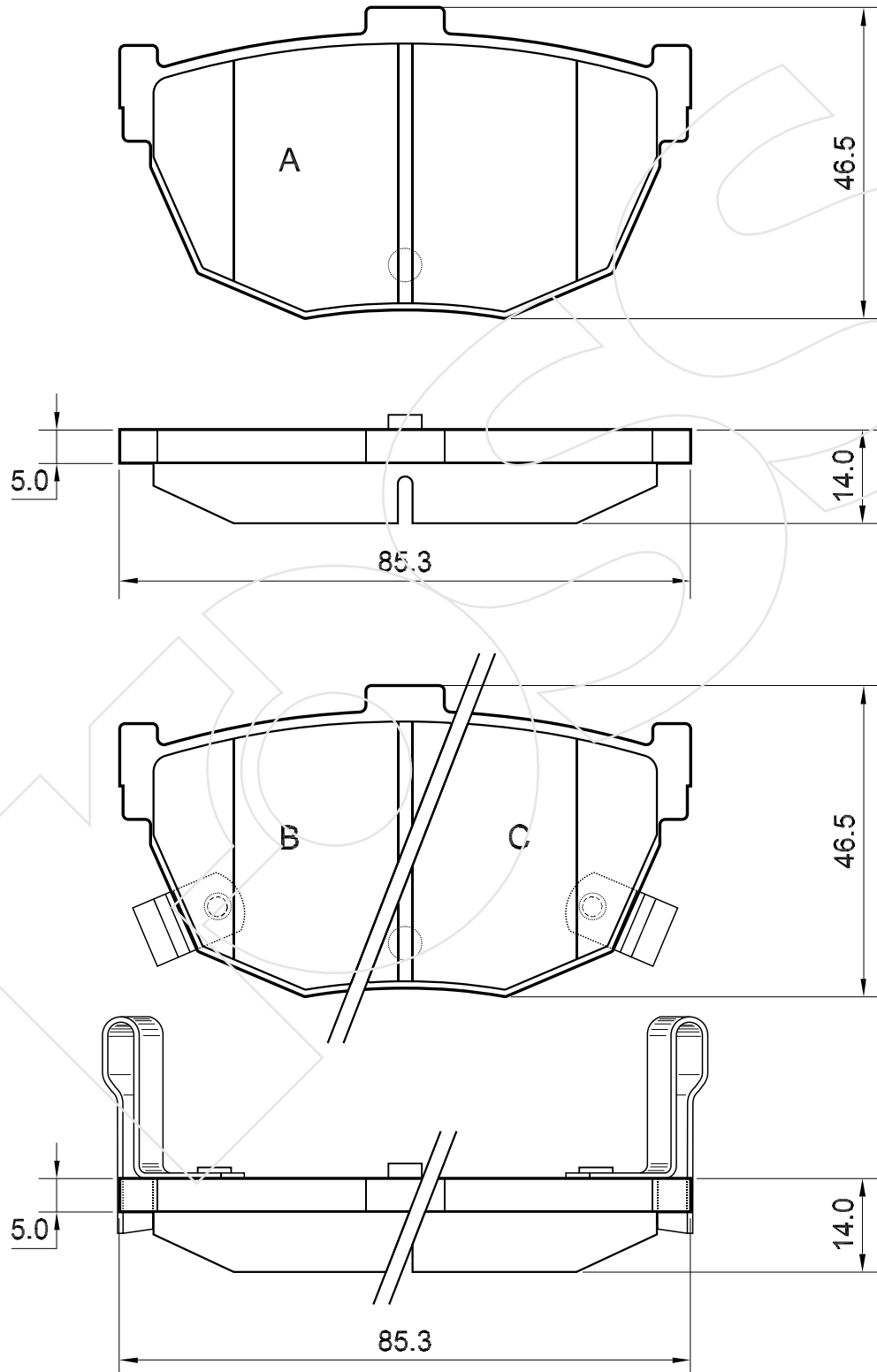
CODICE	IMPIANTO		ASSE	SCALA	APPLICAZIONI
<b>R-966</b>	MANDO		POSTERIORE	100%	HYUNDAI
CODICE COMPONENTI	N°	L(mm)	SERIE		
*	*	*	2 PEZZI TIPO A		
M0074	1	*	1 PEZZO TIPO B		
M0074	1	*	1 PEZZO TIPO C		
*	*	*	*		
CODICE ACCESSORI	N°	L(mm)	NOTE		
*	*	*			
*	*	*			
*	*	*			
*	*	*			



Reference in this Catalogue to other manufactures and to part numbers and other descriptions are for identification purposes only, because the above DISC BRAKE PADS are NOT ORIGINAL but with these interchangeable.

CODICE	IMPIANTO		ASSE	SCALA	APPLICAZIONI
<b>R-967</b>	SUMITOMO		POSTERIORE	100%	HYUNDAI
CODICE COMPONENTI	N°	L(mm)	SERIE		
*	*	*	2 PEZZI TIPO A		
M0036	1	*	1 PEZZO TIPO B		
M0036	1	*	1 PEZZO TIPO C		
*	*	*	*		
CODICE ACCESSORI	N°	L(mm)	NOTE		
*	*	*			
*	*	*			
*	*	*			
*	*	*			

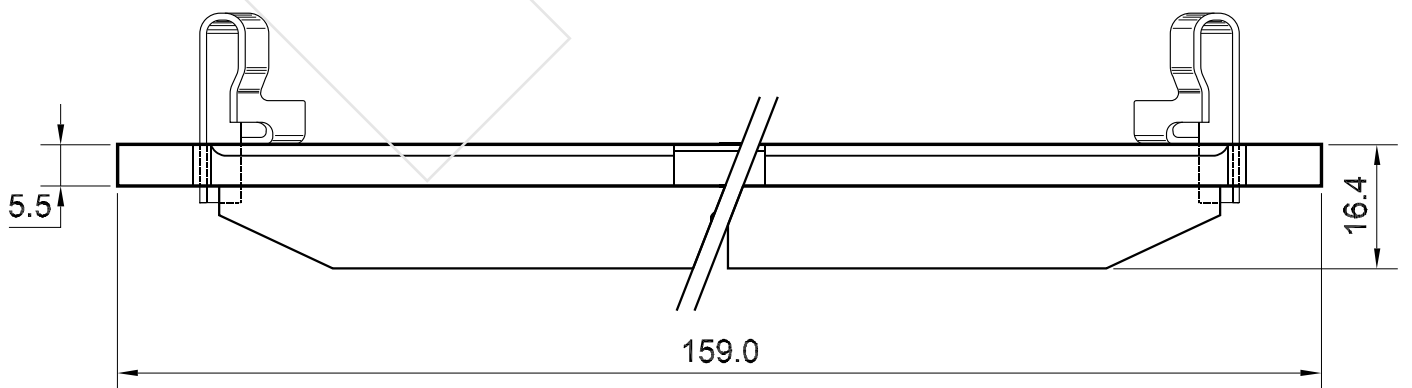
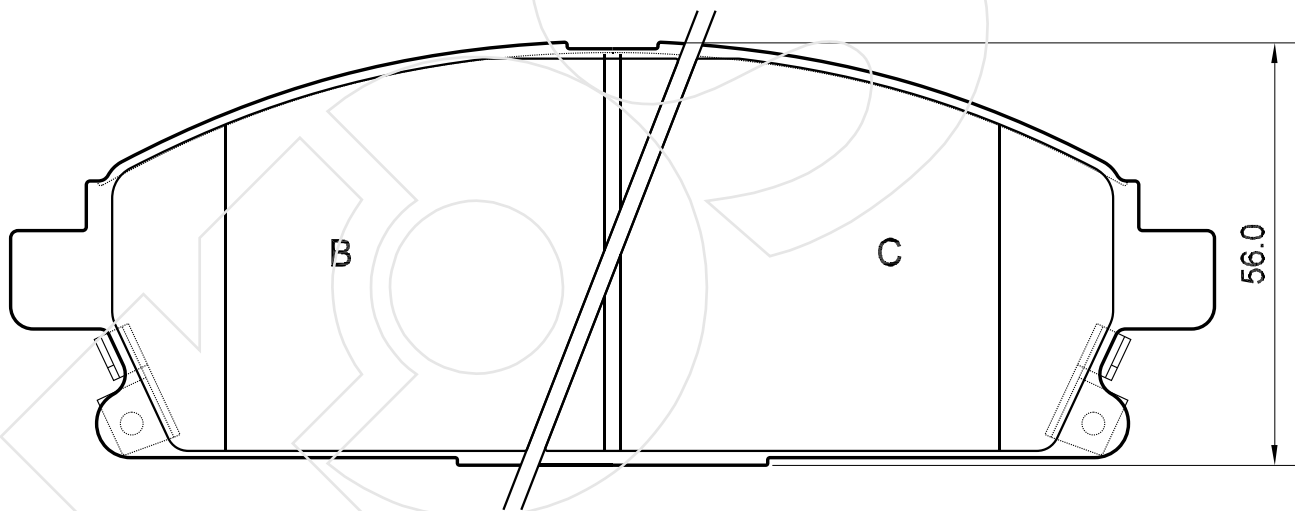
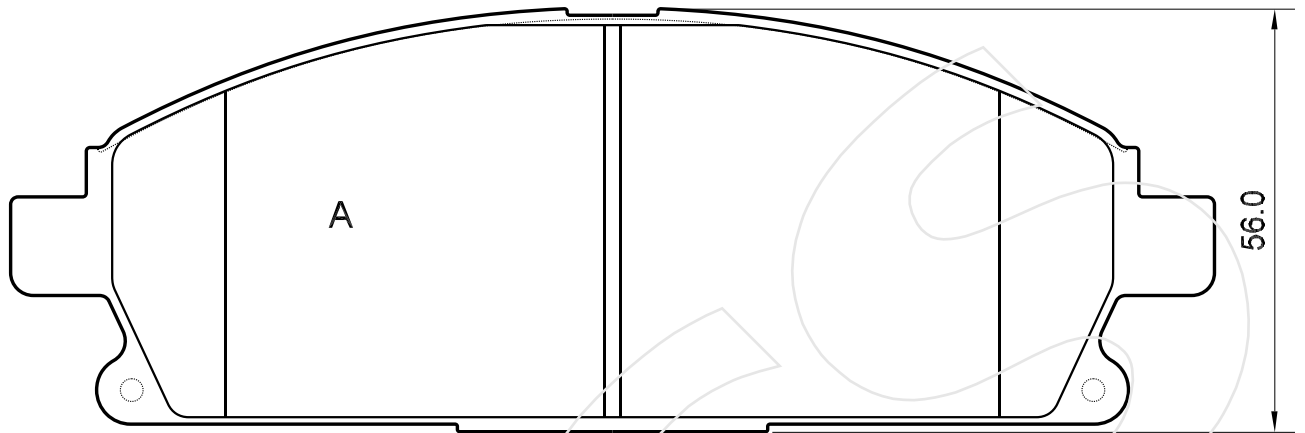
MITSUBISHI



Reference in this Catalogue to other manufactures and to part numbers and other descriptions are for identification purposes only, because the above DISC BRAKE PADS are NOT ORIGINAL but with these interchangeable.

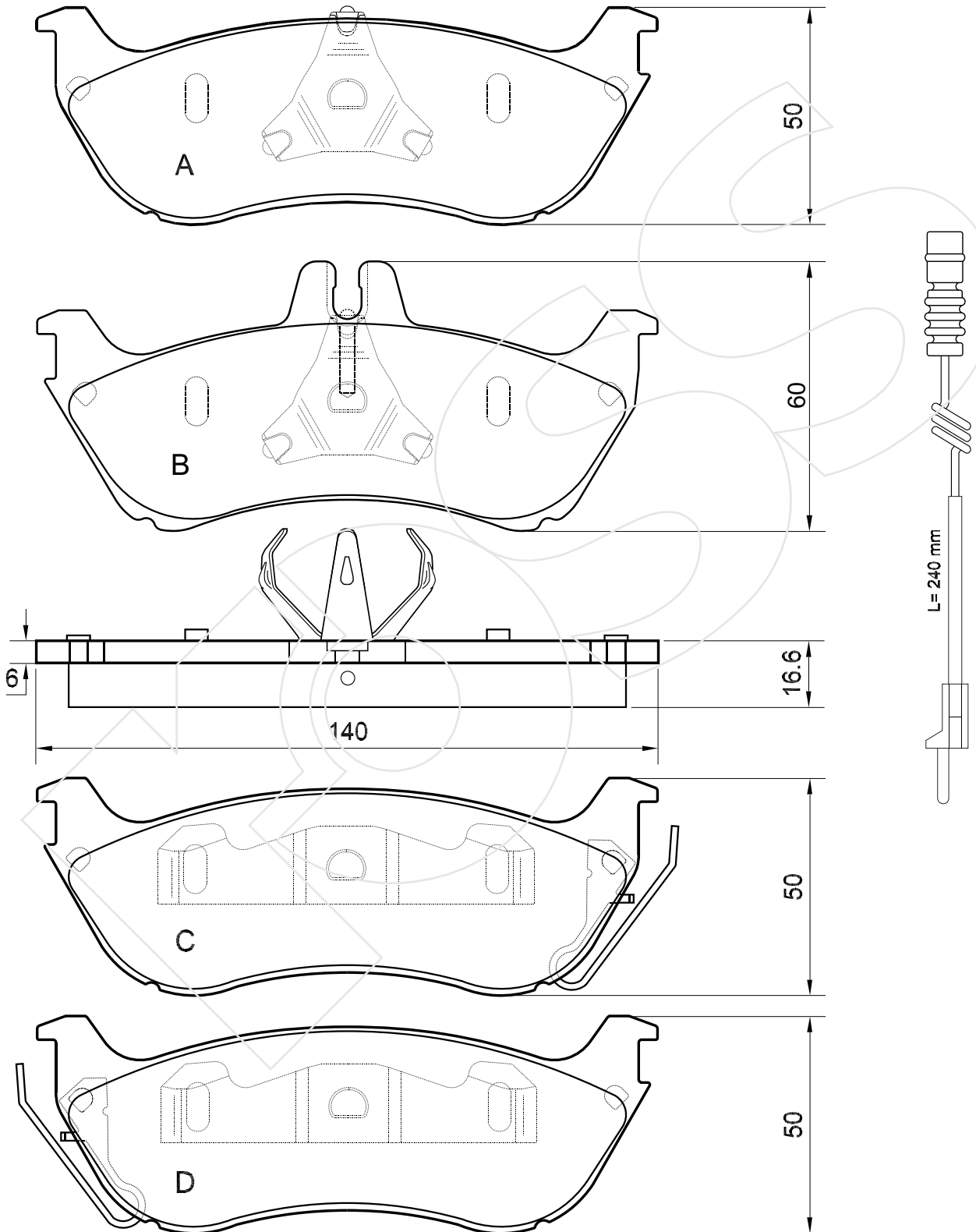


CODICE	IMPIANTO		ASSE	SCALA	APPLICAZIONI
<b>R-968</b>	SUMITOMO		ANTERIORE	100%	NISSAN
CODICE COMPONENTI	N°	L(mm)	SERIE		
*	*	*	2 PEZZI TIPO A		
M0194	1	*	1 PEZZO TIPO B		
M0195	1	*	1 PEZZO TIPO C		
*	*	*	*		
CODICE ACCESSORI	N°	L(mm)	NOTE		
*	*	*			
*	*	*			
*	*	*			
*	*	*			



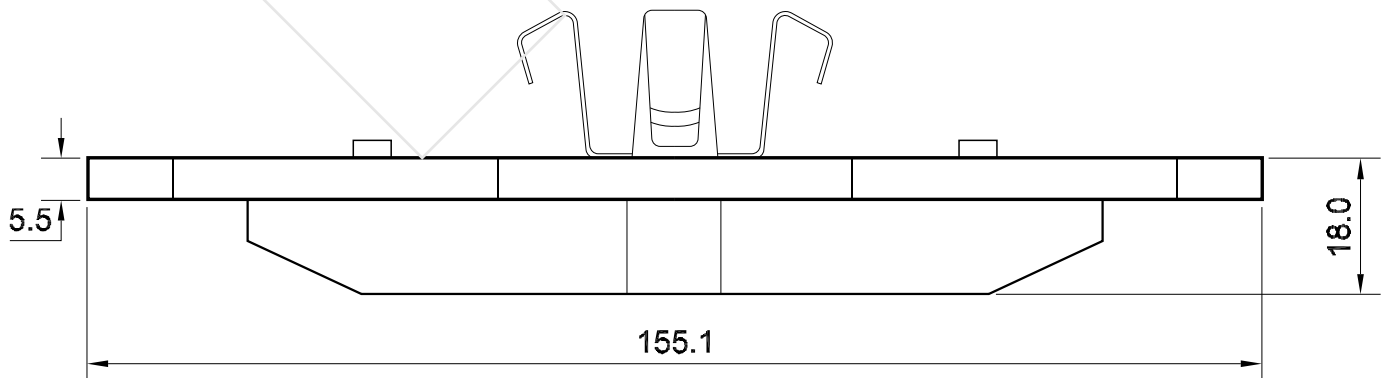
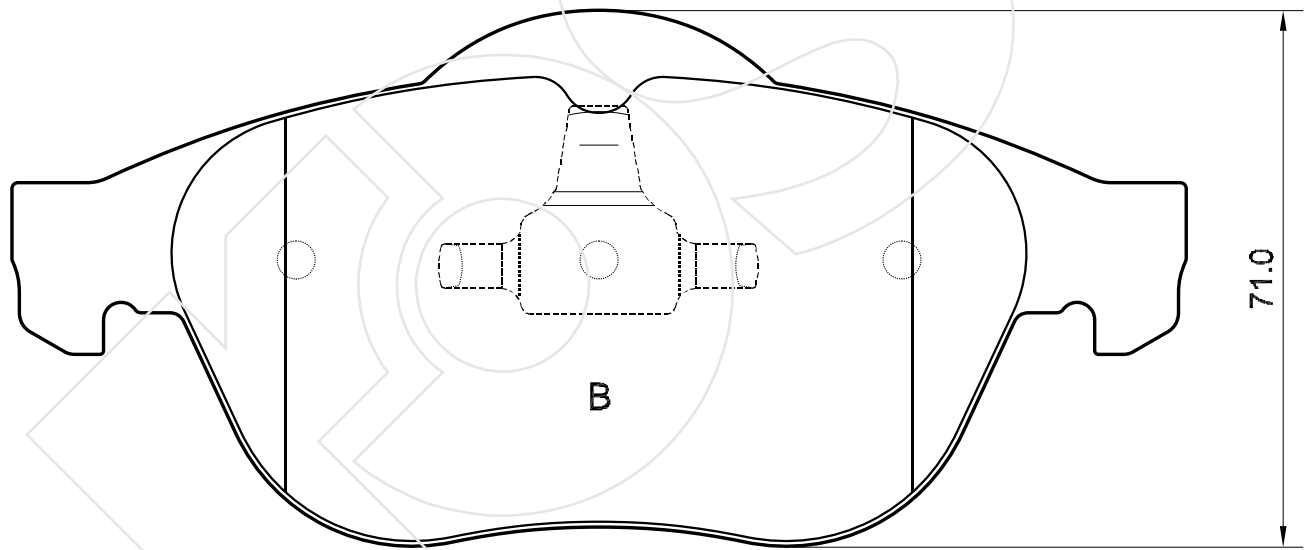
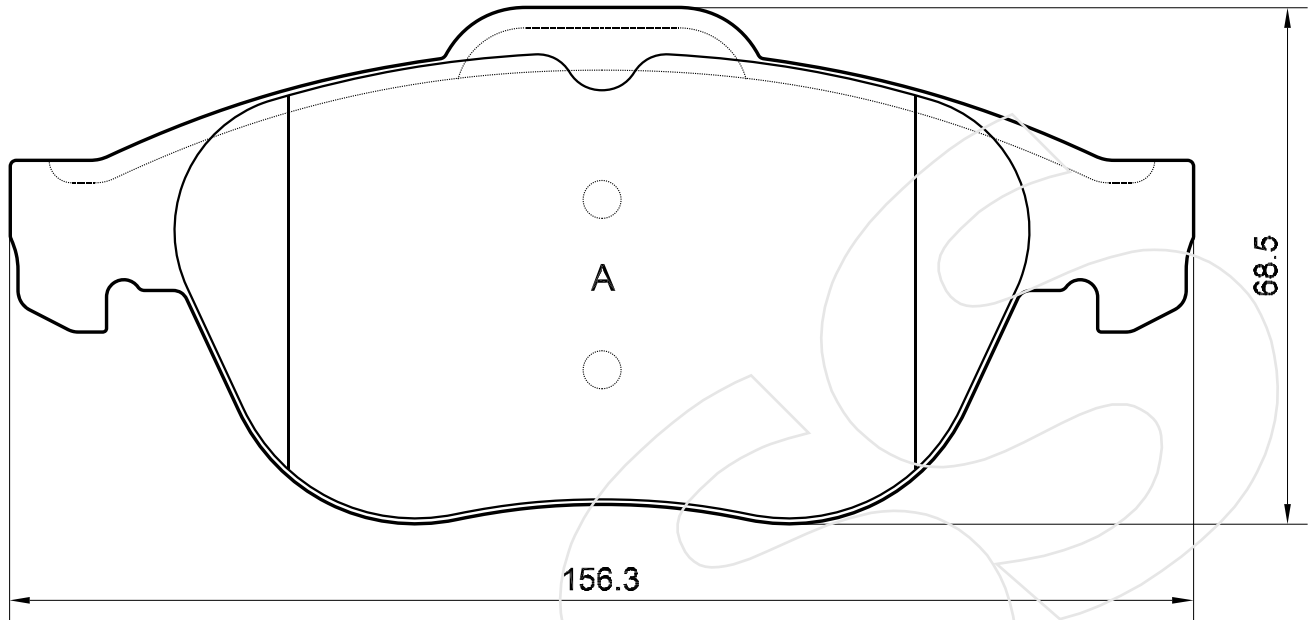
Reference in this Catalogue to other manufactures and to part numbers and other descriptions are for identification purposes only, because the above DISC BRAKE PADS are NOT ORIGINAL but with these interchangeable.

CODICE	IMPIANTO		ASSE	SCALA	APPLICAZIONI
<b>R-969</b>	KELSEY-HAYES		POSTERIORE	75%	MERCEDES
CODICE COMPONENTI	N°	L(mm)	SERIE		
M0243	1	*	1 PEZZO TIPO A		
M0243+F3128	1+1	240	1 PEZZO TIPO B		
M0236+M0210	1+1	*	1 PEZZO TIPO C		
M0236+M0209	1+1	*	1 PEZZO TIPO D		
CODICE ACCESSORI	N°	L(mm)	NOTE		
*	*	*			
*	*	*			
*	*	*			
*	*	*			



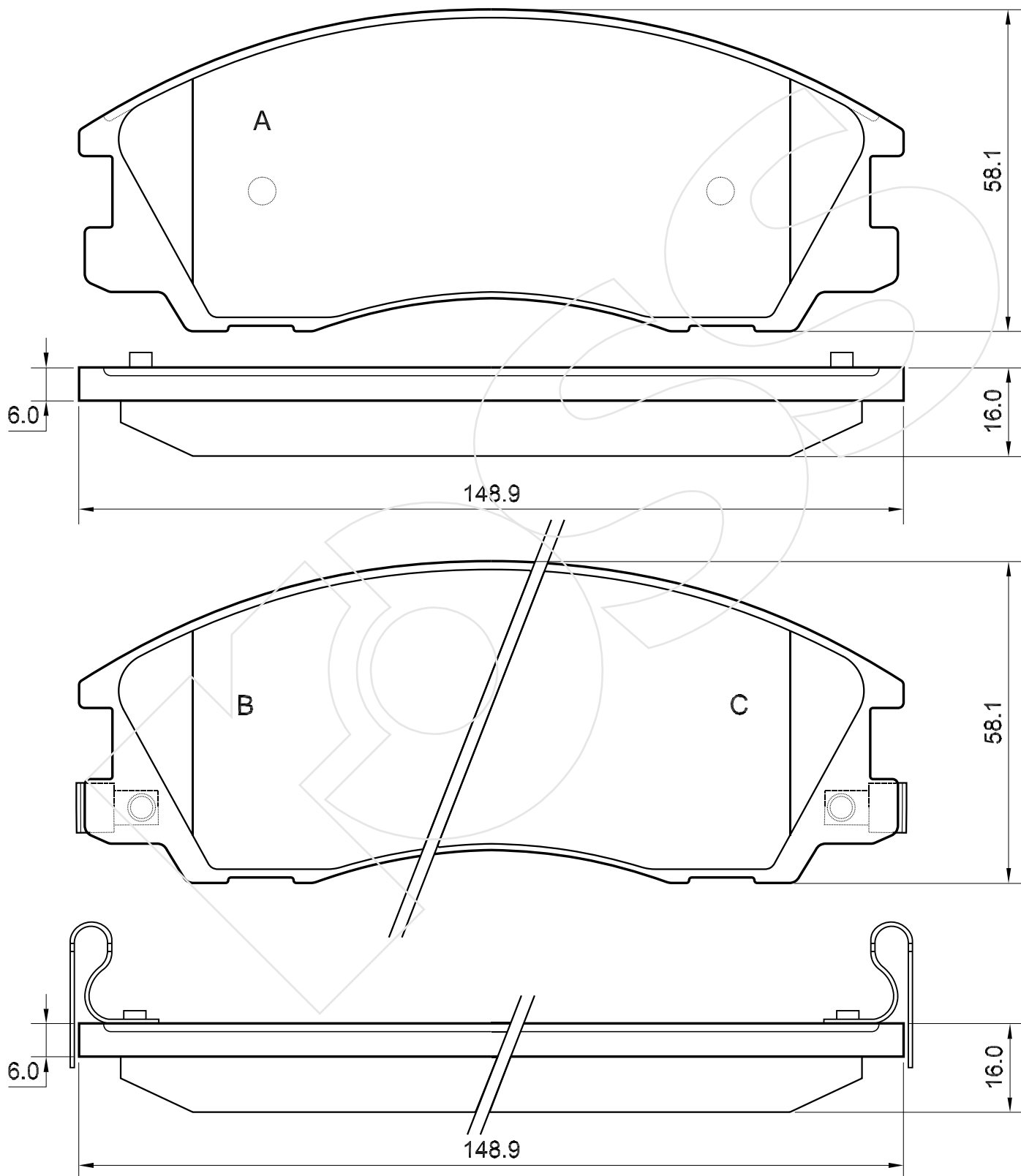
Reference in this Catalogue to other manufactures and to part numbers and other descriptions are for identification purposes only, because the above DISC BRAKE PADS are NOT ORIGINAL but with these interchangeable.

CODICE	IMPIANTO	ASSE	SCALA	APPLICAZIONI
<b>R-970</b>	ATE	ANTERIORE	100%	RENAULT
CODICE COMPONENTI	N°	L(mm)	SERIE	
*	*	*	2 PEZZI TIPO A	
M0203	2	*	2 PEZZI TIPO B	
*	*	*	*	
*	*	*	*	
CODICE ACCESSORI	N°	L(mm)	NOTE	
*	*	*		
*	*	*		
*	*	*		
*	*	*		



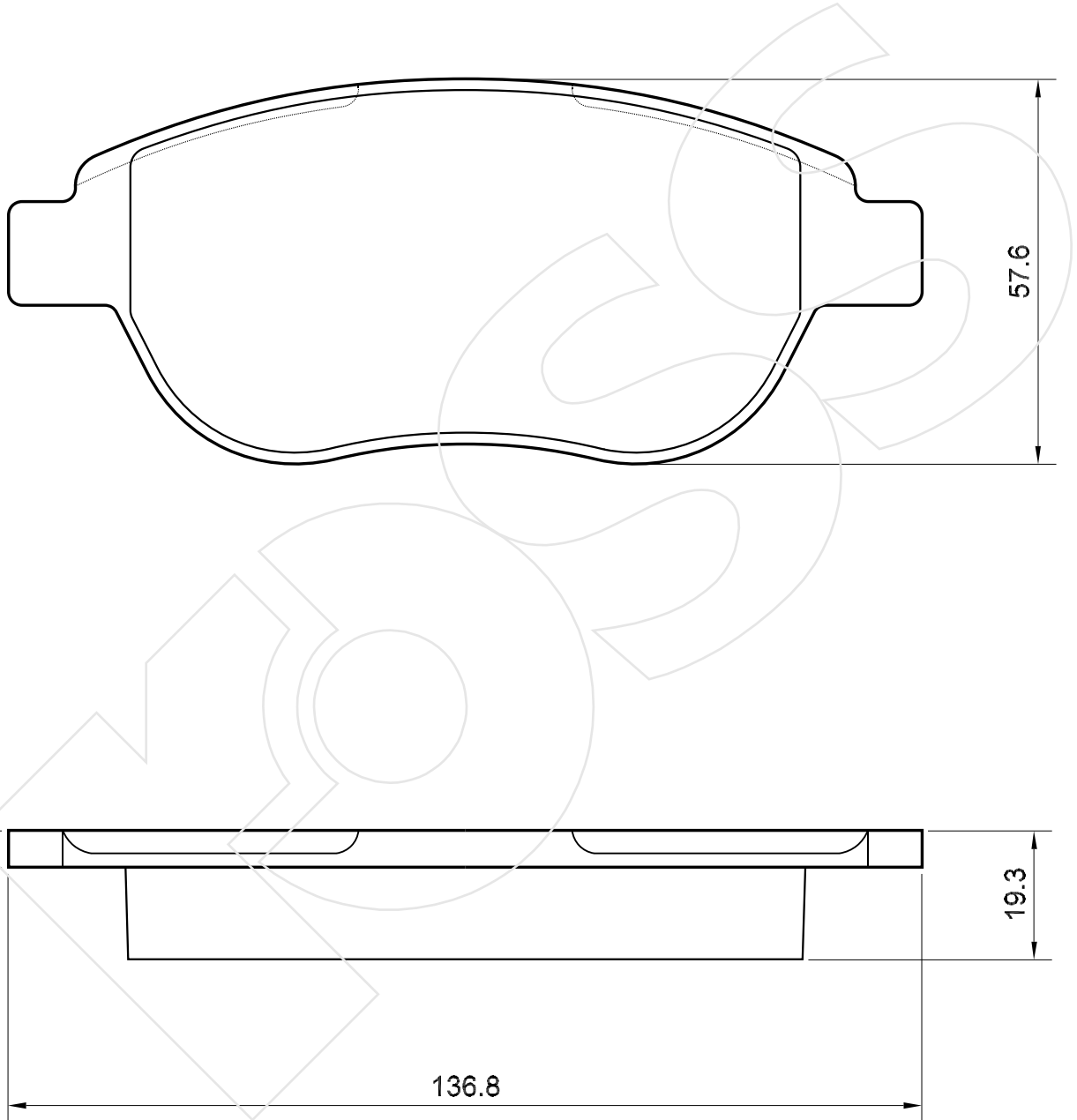
Reference in this Catalogue to other manufactures and to part numbers and other descriptions are for identification purposes only, because the above DISC BRAKE PADS are NOT ORIGINAL but with these interchangeable.

CODICE	IMPIANTO		ASSE	SCALA	APPLICAZIONI
<b>R-971</b>	MANDO		ANTERIORE	100%	HYUNDAI
CODICE COMPONENTI	N°	L(mm)	SERIE		
*	*	*	2 PEZZI TIPO A		
M0074	1	*	1 PEZZO TIPO B		
M0074	1	*	1 PEZZO TIPO C		
*	*	*	*		
CODICE ACCESSORI	N°	L(mm)	NOTE		
*	*	*			
*	*	*			
*	*	*			
*	*	*			



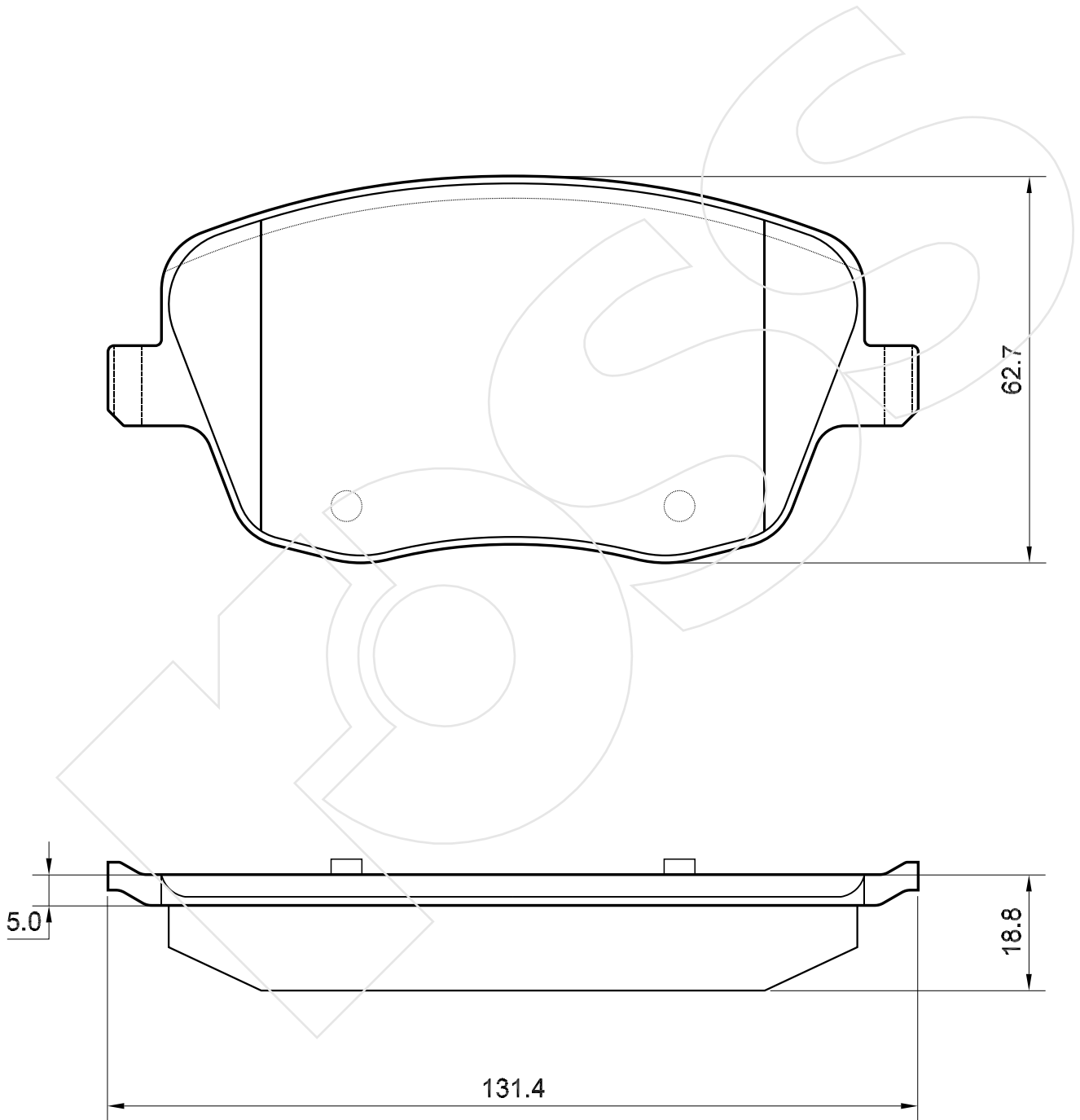
Reference in this Catalogue to other manufactures and to part numbers and other descriptions are for identification purposes only, because the above DISC BRAKE PADS are NOT ORIGINAL but with these interchangeable.

CODICE	IMPIANTO	ASSE	SCALA	APPLICAZIONI
<b>R-972</b>	BOSCH	ANTERIORE	100%	PEUGEOT
CODICE COMPONENTI	N°	L(mm)	SERIE	
*	*	*	4 PEZZI	
*	*	*		
*	*	*		
*	*	*		
CODICE ACCESSORI	N°	L(mm)	NOTE	
*	*	*		
*	*	*		
*	*	*		
*	*	*		



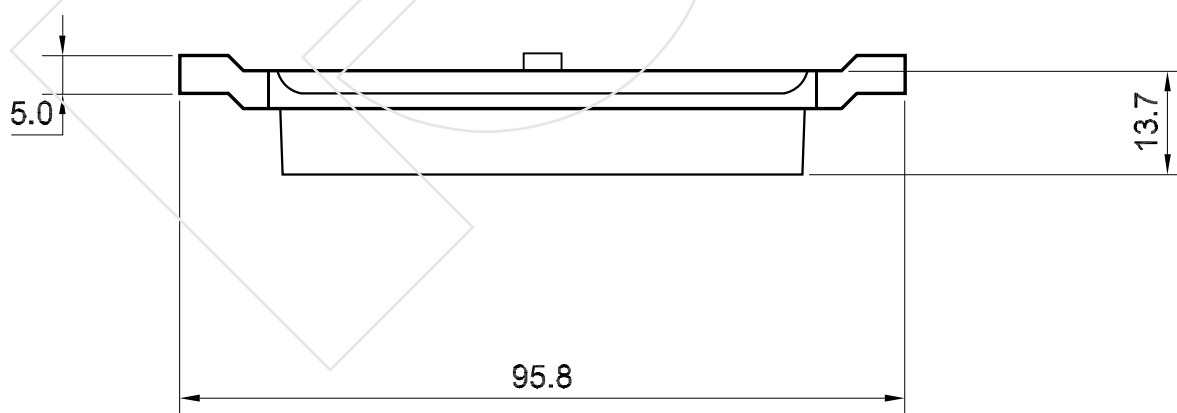
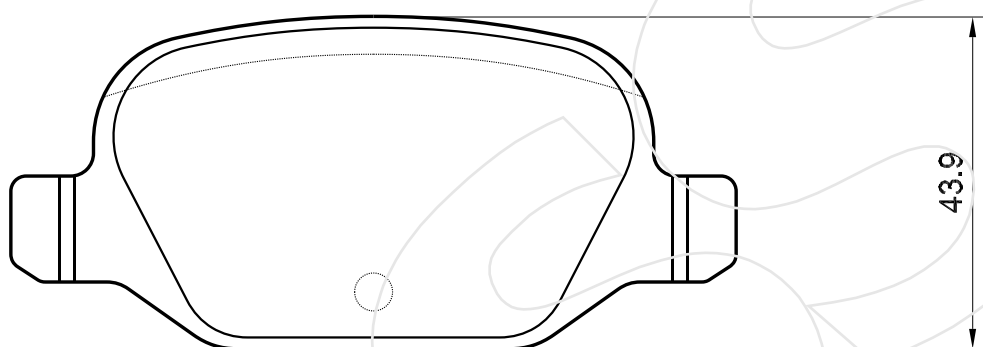
Reference in this Catalogue to other manufactures and to part numbers and other descriptions are for identification purposes only, because the above DISC BRAKE PADS are NOT ORIGINAL but with these interchangeable.

CODICE	IMPIANTO	ASSE	SCALA	APPLICAZIONI
<b>R-973</b>	LUCAS	ANTERIORE	100%	SKODA
CODICE COMPONENTI	N°	L(mm)	SERIE	
*	*	*	4 PEZZI	
*	*	*	*	
*	*	*	*	
*	*	*	*	
CODICE ACCESSORI	N°	L(mm)	NOTE	
*	*	*		
*	*	*		
*	*	*		
*	*	*		



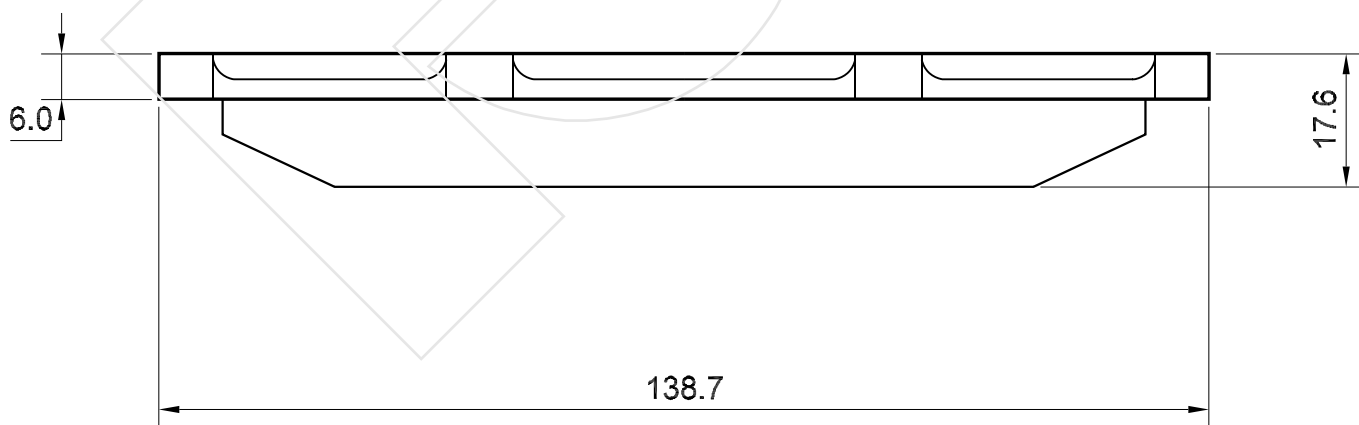
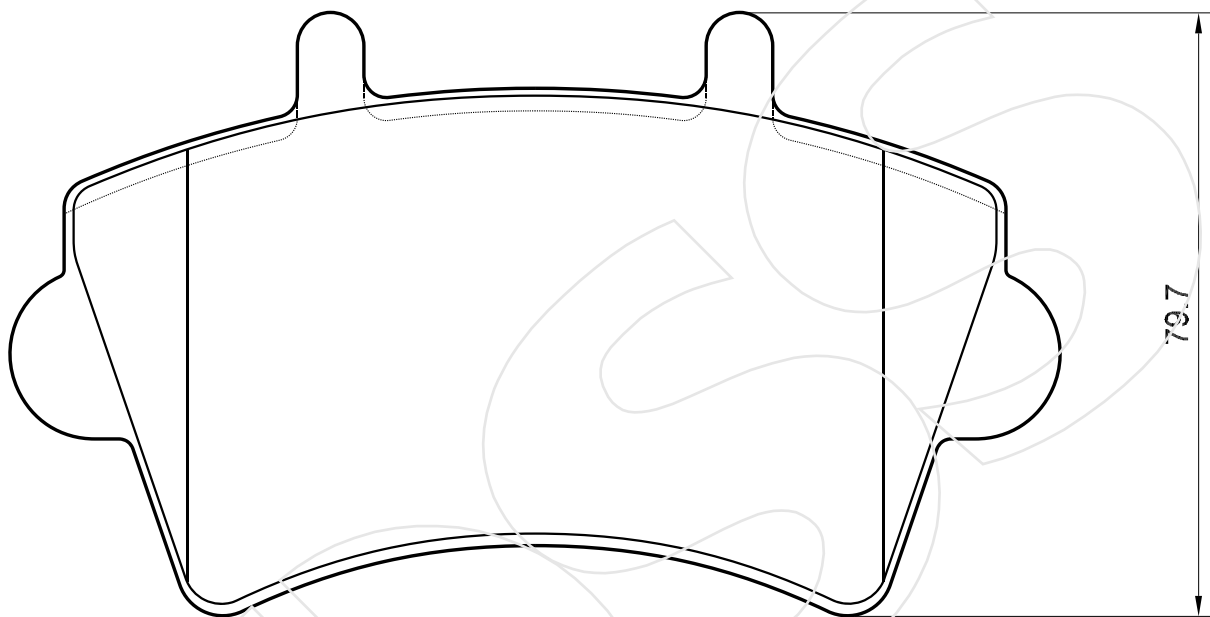
Reference in this Catalogue to other manufactures and to part numbers and other descriptions are for identification purposes only, because the above DISC BRAKE PADS are NOT ORIGINAL but with these interchangeable.

CODICE	IMPIANTO		ASSE	SCALA	APPLICAZIONI
<b>R-974</b>	LUCAS		POSTERIORE	100%	FIAT
CODICE COMPONENTI	N°	L(mm)	SERIE		
*	*	*	4 PEZZI		
*	*	*			
*	*	*			
*	*	*			
CODICE ACCESSORI	N°	L(mm)	NOTE		
*	*	*			
*	*	*			
*	*	*			
*	*	*			



Reference in this Catalogue to other manufactures and to part numbers and other descriptions are for identification purposes only, because the above DISC BRAKE PADS are NOT ORIGINAL but with these interchangeable.

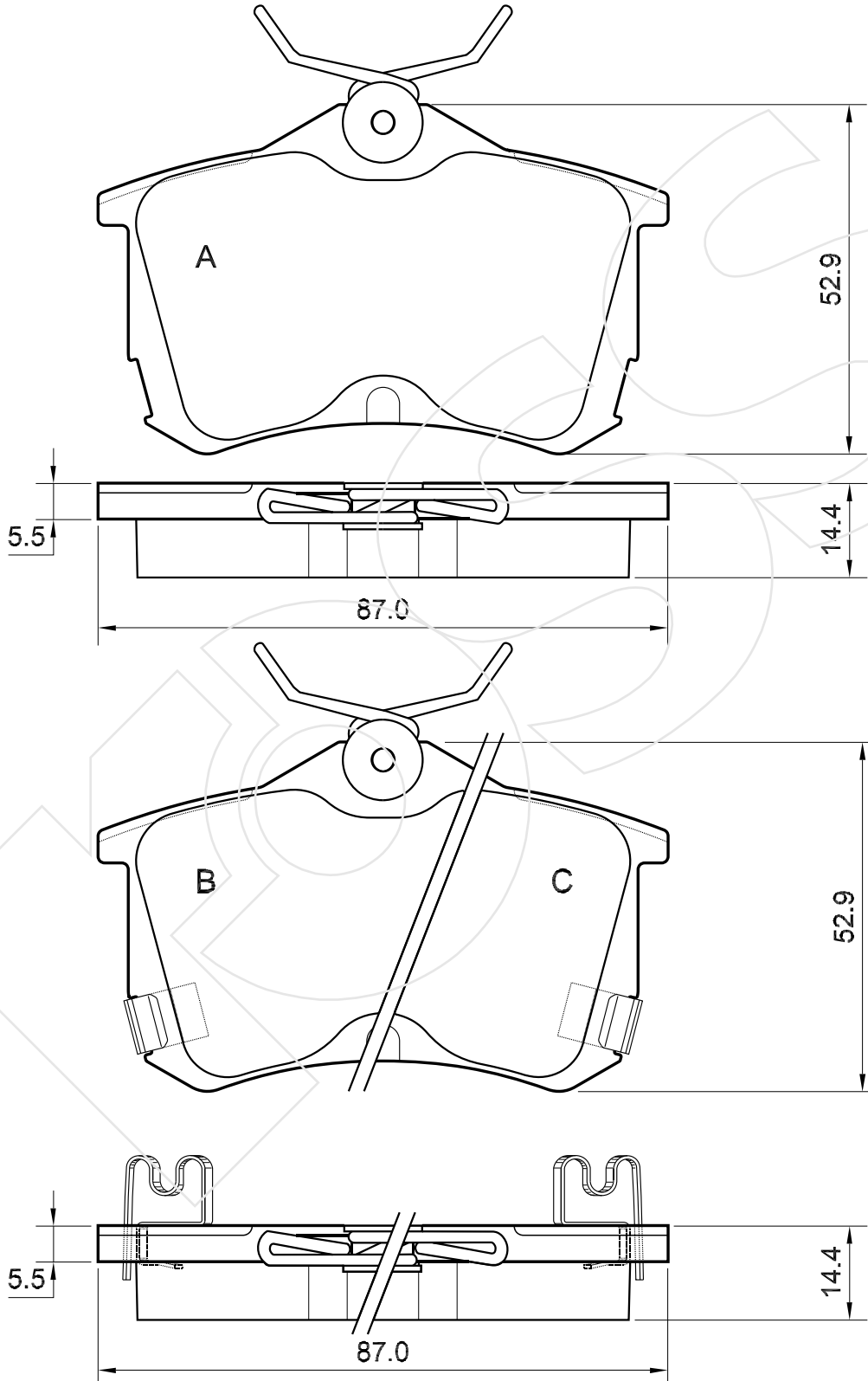
CODICE	IMPIANTO		ASSE	SCALA	APPLICAZIONI
<b>R-975</b>	BENDIX		ANTERIORE	100%	OPEL RENAULT VAUXHALL
CODICE COMPONENTI	N°	L(mm)	SERIE		
*	*	*	4 PEZZI		
*	*	*	*		
*	*	*	*		
*	*	*	*		
CODICE ACCESSORI	N°	L(mm)	NOTE		
*	*	*			
*	*	*			
*	*	*			
*	*	*			



Reference in this Catalogue to other manufactures and to part numbers and other descriptions are for identification purposes only, because the above DISC BRAKE PADS are NOT ORIGINAL but with these interchangeable.

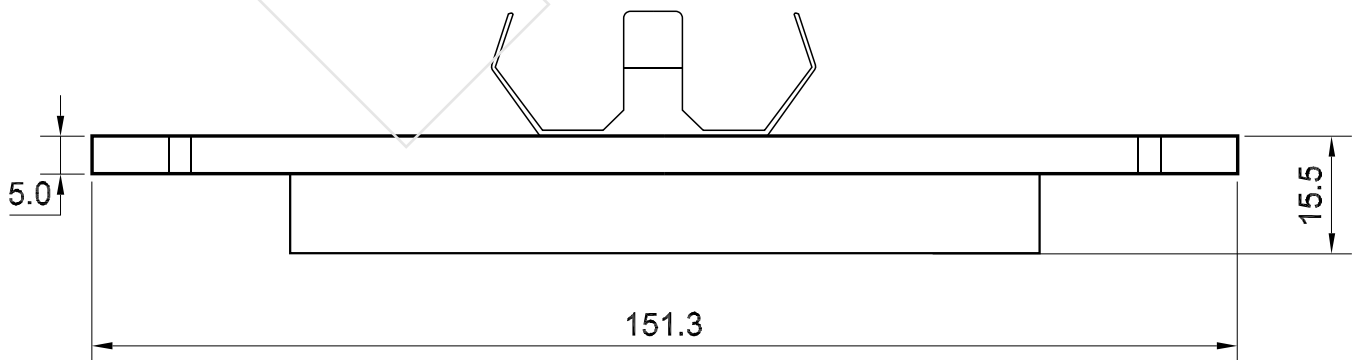
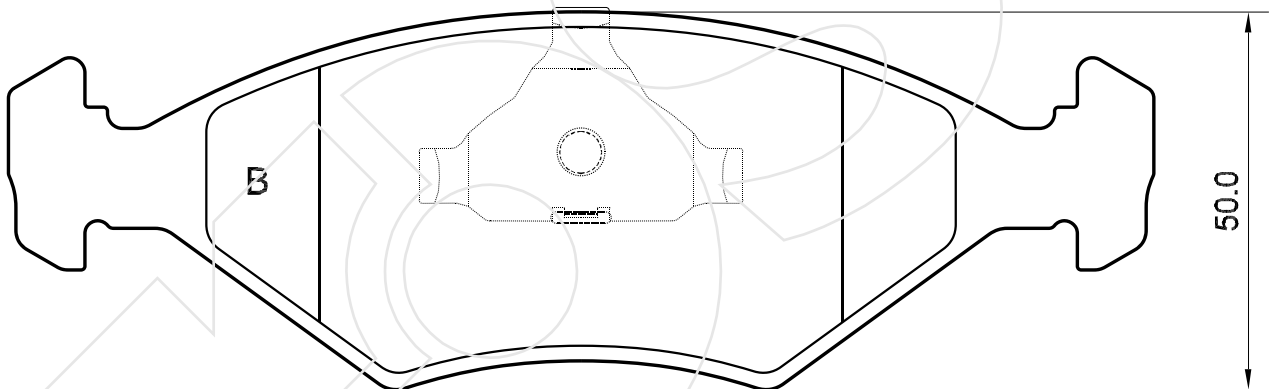
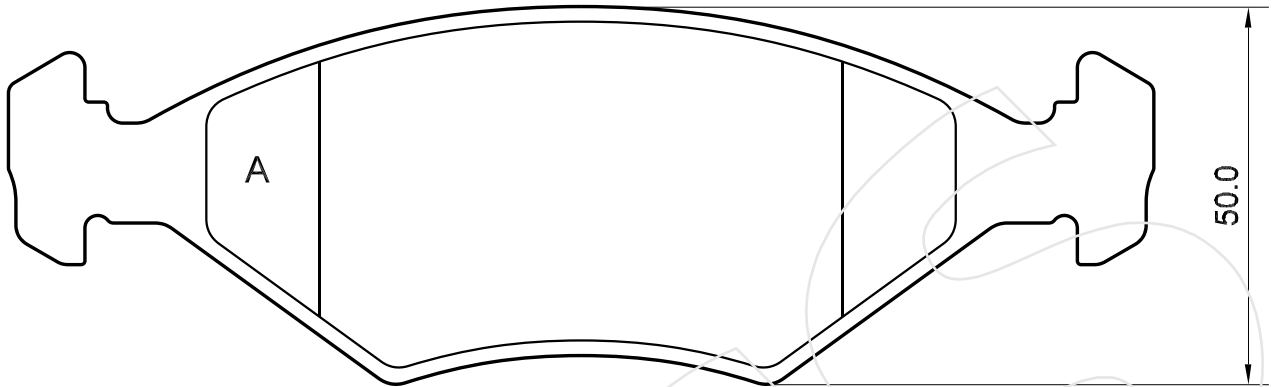


CODICE	IMPIANTO		ASSE	SCALA	APPLICAZIONI
<b>R-976</b>	LUCAS		POSTERIORE	100%	HONDA
CODICE COMPONENTI	N°	L(mm)	SERIE		
M0015	2	*	2 PEZZI TIPO A		
M0015+M0141	1+1	*	1 PEZZO TIPO B		
M0015+M0141	1+1	*	1 PEZZO TIPO C		
*	*	*	*		
CODICE ACCESSORI	N°	L(mm)	NOTE		
*	*	*			
*	*	*			
*	*	*			
*	*	*			



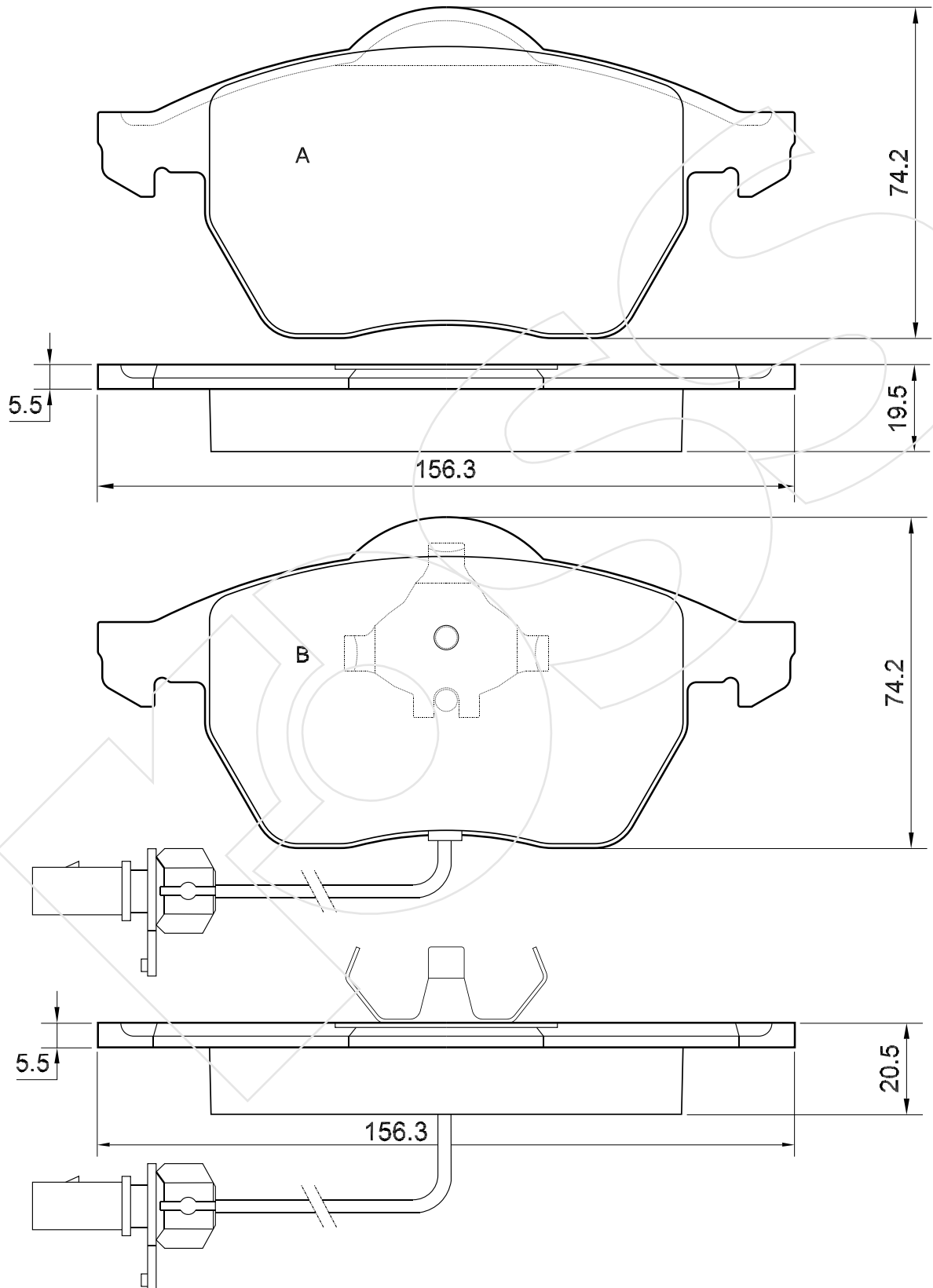
Reference in this Catalogue to other manufactures and to part numbers and other descriptions are for identification purposes only, because the above DISC BRAKE PADS are NOT ORIGINAL but with these interchangeable.

CODICE	IMPIANTO		ASSE	SCALA	APPLICAZIONI
<b>R-977</b>	ATE		ANTERIORE	100%	VOLKSWAGEN
CODICE COMPONENTI	N°	L(mm)	SERIE		
*	*	*	2 PEZZI TIPO A		
M0011+P1002	2+2	*	2 PEZZI TIPO B		
*	*	*	*		
*	*	*	*		
CODICE ACCESSORI	N°	L(mm)	NOTE		
*	*	*			
*	*	*			
*	*	*			
*	*	*			



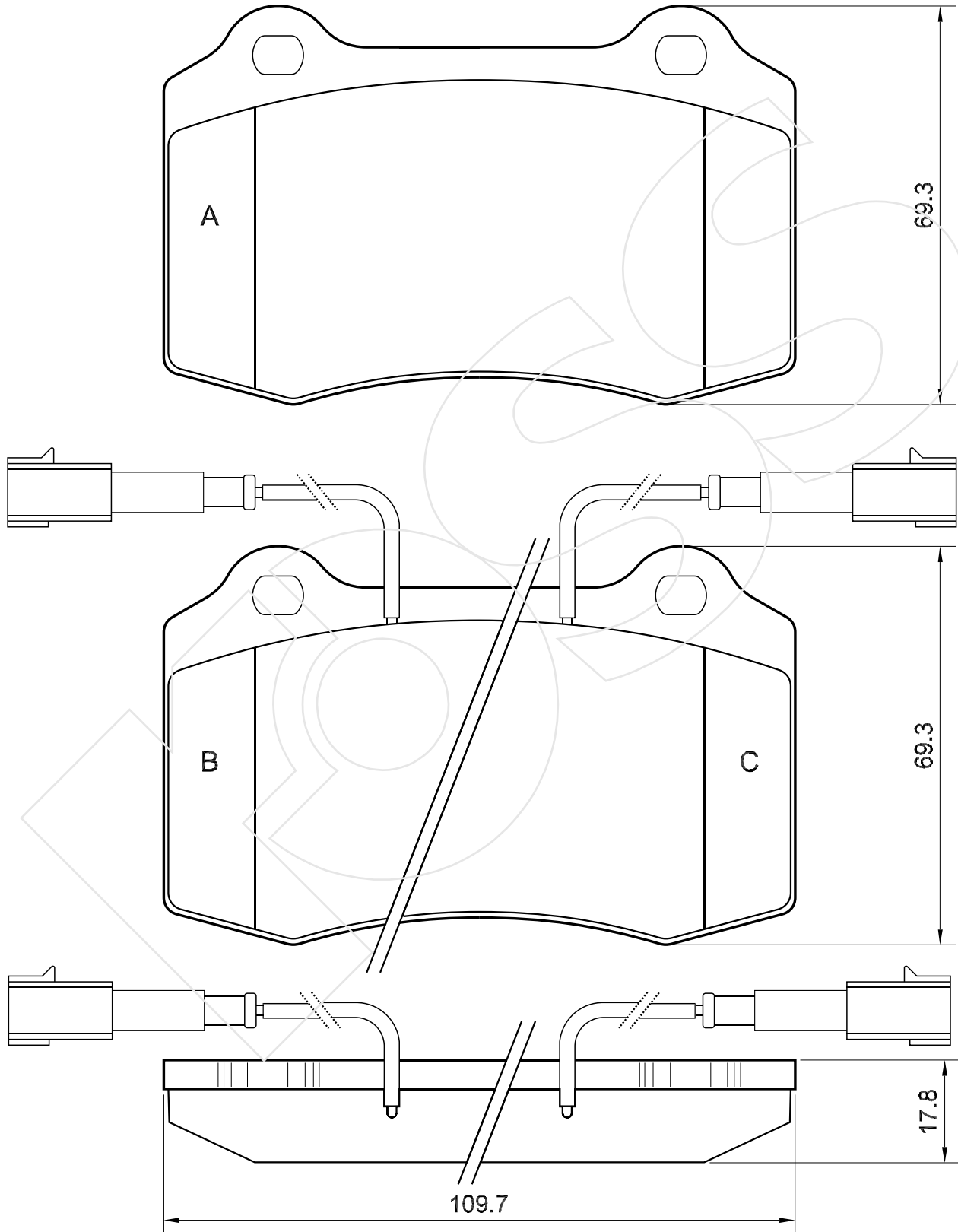
Reference in this Catalogue to other manufactures and to part numbers and other descriptions are for identification purposes only, because the above DISC BRAKE PADS are NOT ORIGINAL but with these interchangeable.

CODICE	IMPIANTO		ASSE	SCALA	APPLICAZIONI
<b>R-978</b>	ATE		ANTERIORE	<b>75%</b>	FORD
CODICE COMPONENTI	N°	L(mm)	SERIE		SEAT
*	*	*	2 PEZZI TIPO A		
M0091	1	*	1 PEZZO senza segnalatore		
M0091+F3044	1+1	200	1 PEZZO con segnalatore		
*	*	*			VOLKSWAGEN
CODICE ACCESSORI	N°	L(mm)	NOTE		
*	*	*			
*	*	*			
*	*	*			
*	*	*			



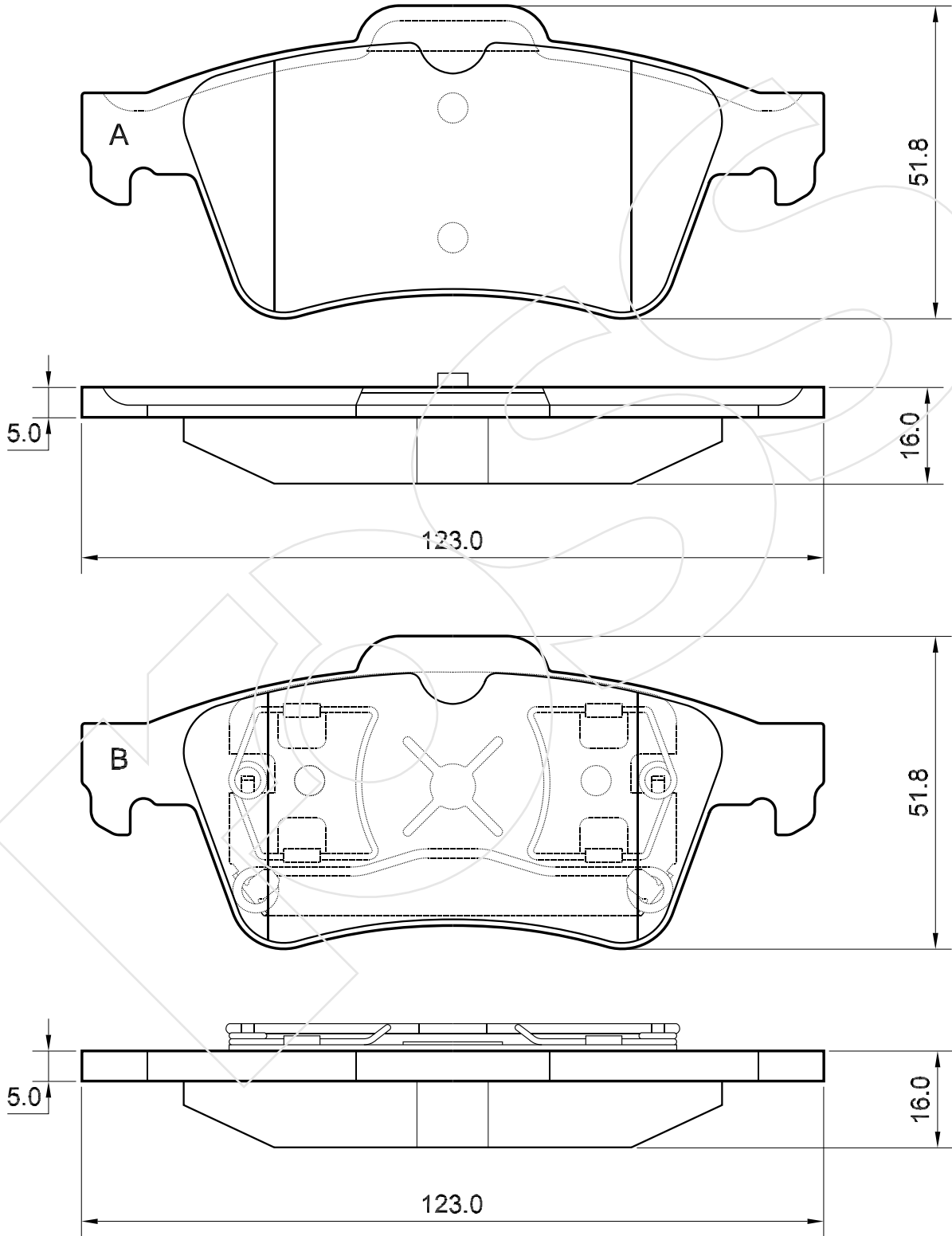
Reference in this Catalogue to other manufactures and to part numbers and other descriptions are for identification purposes only, because the above DISC BRAKE PADS are NOT ORIGINAL but with these interchangeable.

CODICE	IMPIANTO		ASSE	SCALA	APPLICAZIONI
<b>R-979</b>	BREMBO		ANTERIORE	100%	ALFA ROMEO
CODICE COMPONENTI	N°	L(mm)	SERIE		FIAT
*	*	*	2 PEZZI TIPO A		LANCIA
F3130	1	300	1 PEZZO TIPO B		DODGE
F3130	1	300	1 PEZZO TIPO C		
*	*	*	*		
CODICE ACCESSORI	N°	L(mm)	NOTE		
*	*	*			
*	*	*			
*	*	*			
*	*	*			



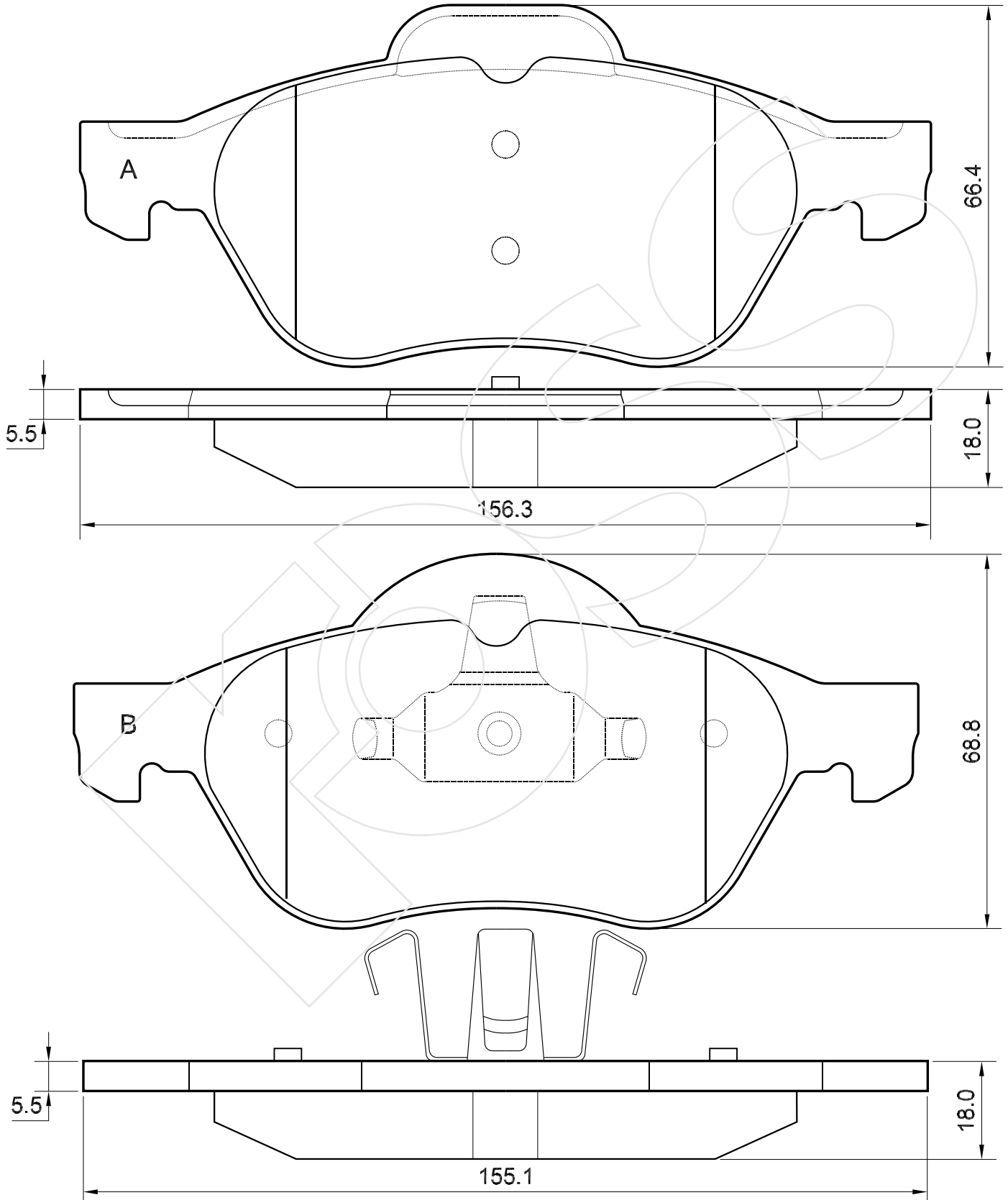
Reference in this Catalogue to other manufactures and to part numbers and other descriptions are for identification purposes only, because the above DISC BRAKE PADS are NOT ORIGINAL but with these interchangeable.

CODICE	IMPIANTO		ASSE	SCALA	APPLICAZIONI
<b>R-980</b>	ATE		POSTERIORE	100%	RENAULT NISSAN
CODICE COMPONENTI	N°	L(mm)	SERIE		
*	*	*	2 PEZZI TIPO A		
M0263	2	*	2 PEZZI TIPO B		
*	*	*	*		
*	*	*	*		
CODICE ACCESSORI	N°	L(mm)	NOTE		
*	*	*			
*	*	*			
*	*	*			
*	*	*			



Reference in this Catalogue to other manufactures and to part numbers and other descriptions are for identification purposes only, because the above DISC BRAKE PADS are NOT ORIGINAL but with these interchangeable.

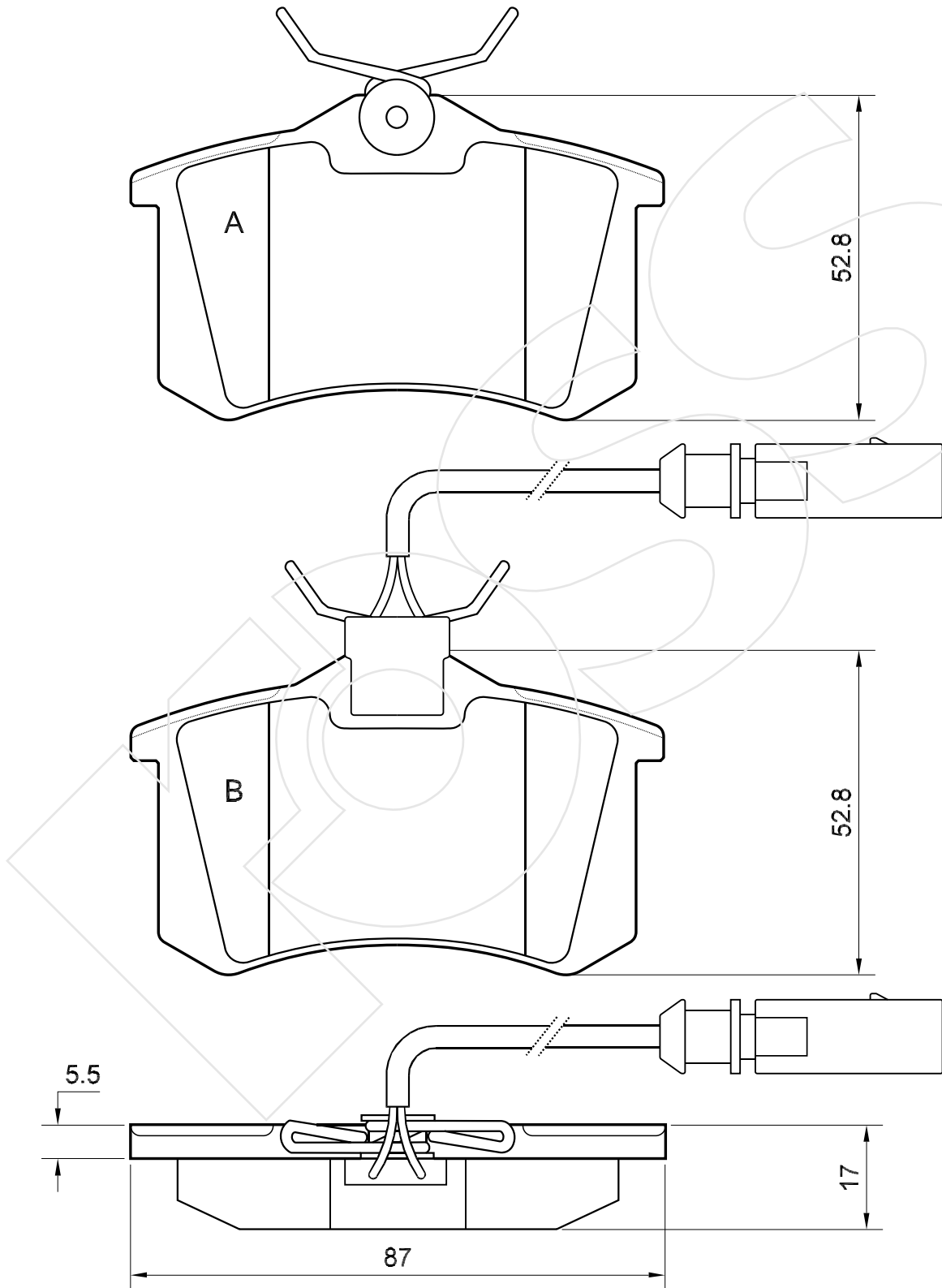
CODICE	IMPIANTO		ASSE	SCALA	APPLICAZIONI
<b>R-981</b>	ATE		ANTERIORE	100%	RENAULT
CODICE COMPONENTI	N°	L(mm)	SERIE		
*	*	*	2 PEZZI TIPO A		
M0203	2	*	2 PEZZI TIPO B		
*	*	*	*		
*	*	*	*		
CODICE ACCESSORI	N°	L(mm)	NOTE		
*	*	*			
*	*	*			
*	*	*			
*	*	*			



Reference in this Catalogue to other manufactures and to part numbers and other descriptions are for identification purposes only, because the above DISC BRAKE PADS are NOT ORIGINAL but with these interchangeable.

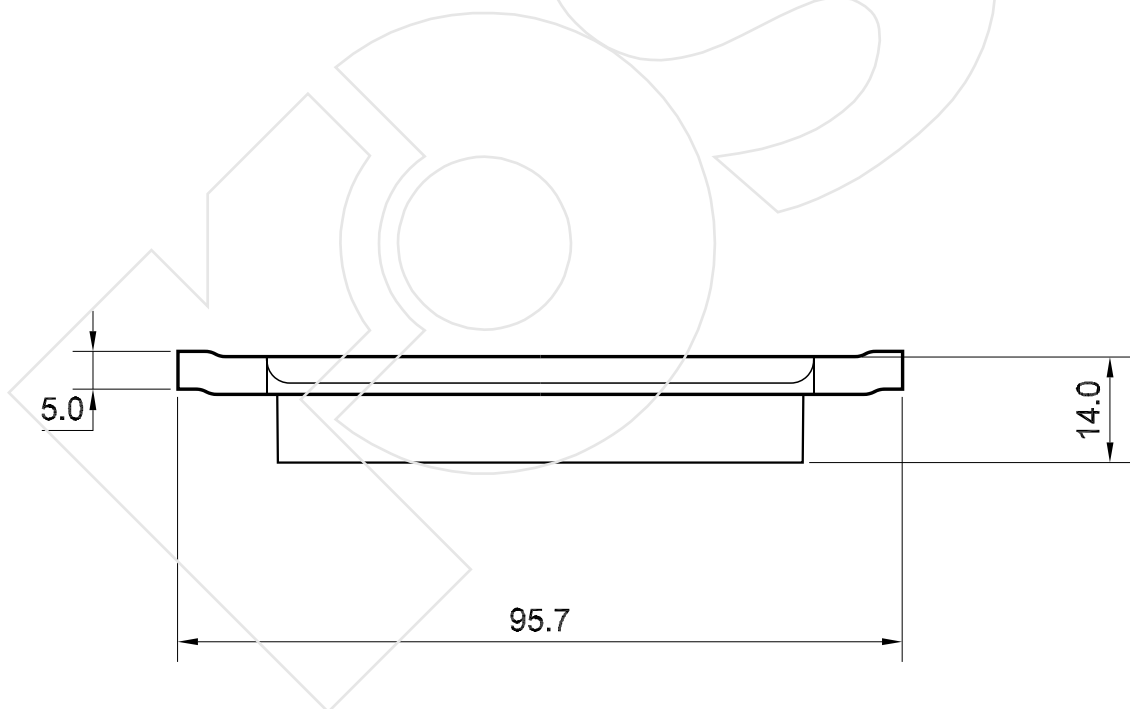
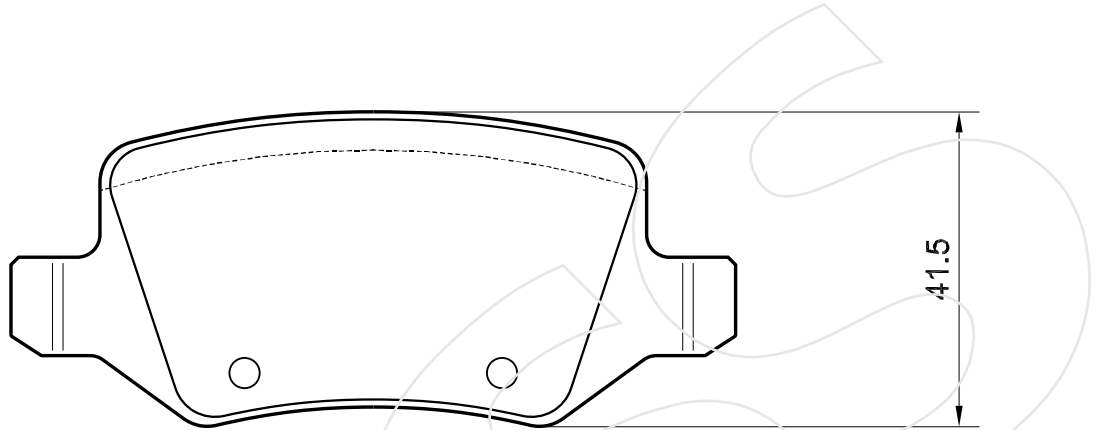
CODICE	IMPIANTO	ASSE	SCALA	APPLICAZIONI
<b>R-982</b>	GIRLING	POSTERIORE	100%	VOLKSWAGEN
CODICE COMPONENTI	N°	L(mm)	SERIE	
M0015	3	*	3 PEZZI	TIPO A
M0015+F3123	1+1	200	1 PEZZI	TIPO B
*	*	*	*	*
*	*	*	*	*
CODICE ACCESSORI	N°	L(mm)	NOTE	
*	*	*		
*	*	*		
*	*	*		
*	*	*		

SEAT



Reference in this Catalogue to other manufactures and to part numbers and other descriptions are for identification purposes only, because the above DISC BRAKE PADS are NOT ORIGINAL but with these interchangeable.

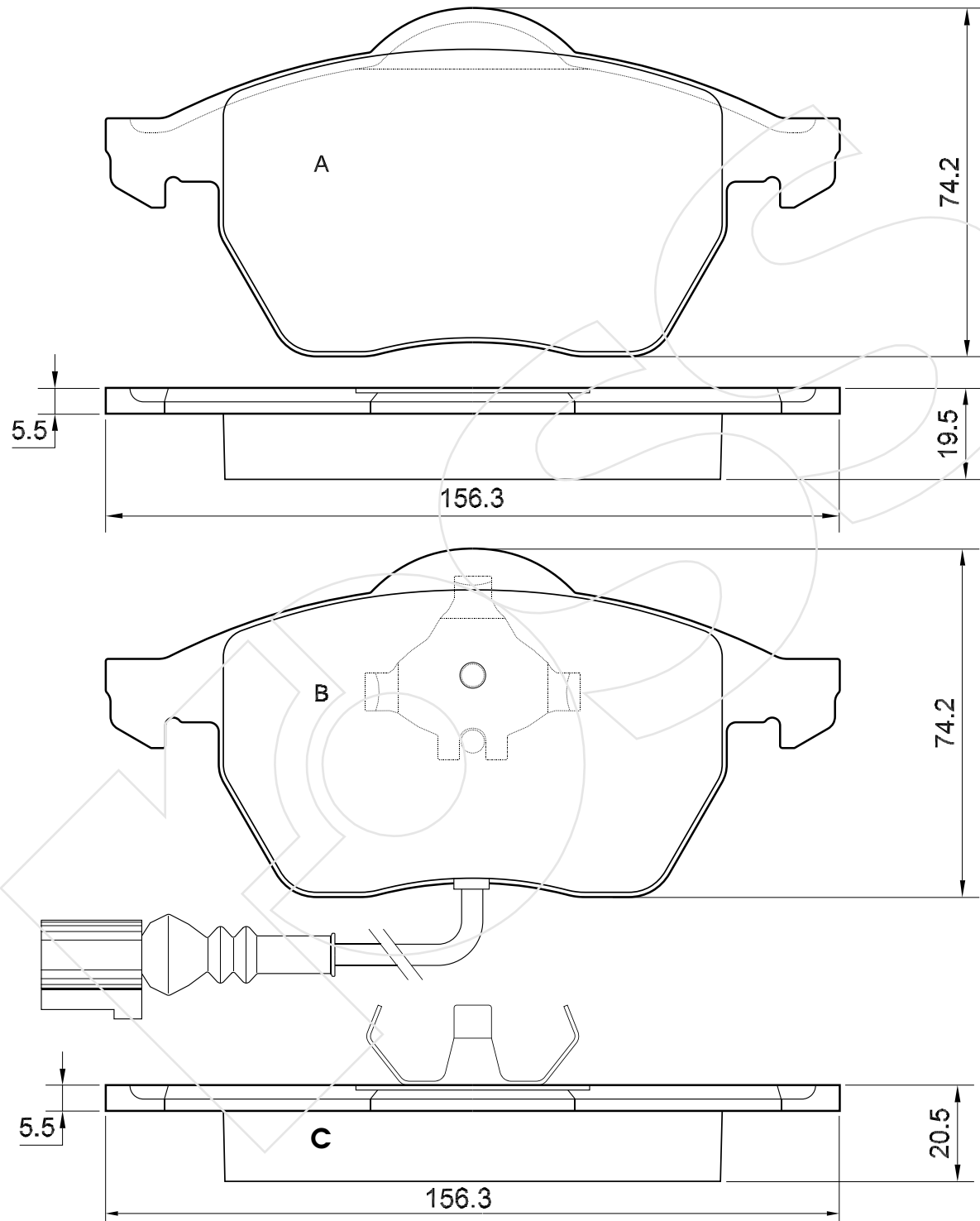
CODICE	IMPIANTO	ASSE	SCALA	APPLICAZIONI
<b>R-983</b>	LUCAS	POSTERIORE	100%	MERCEDES
CODICE COMPONENTI	N°	L(mm)	SERIE	
*	*	*	4 PEZZI	
*	*	*	*	
*	*	*	*	
*	*	*	*	
CODICE ACCESSORI	N°	L(mm)	NOTE	
*	*	*		
*	*	*		
*	*	*		
*	*	*		



Reference in this Catalogue to other manufactures and to part numbers and other descriptions are for identification purposes only, because the above DISC BRAKE PADS are NOT ORIGINAL but with these interchangeable.

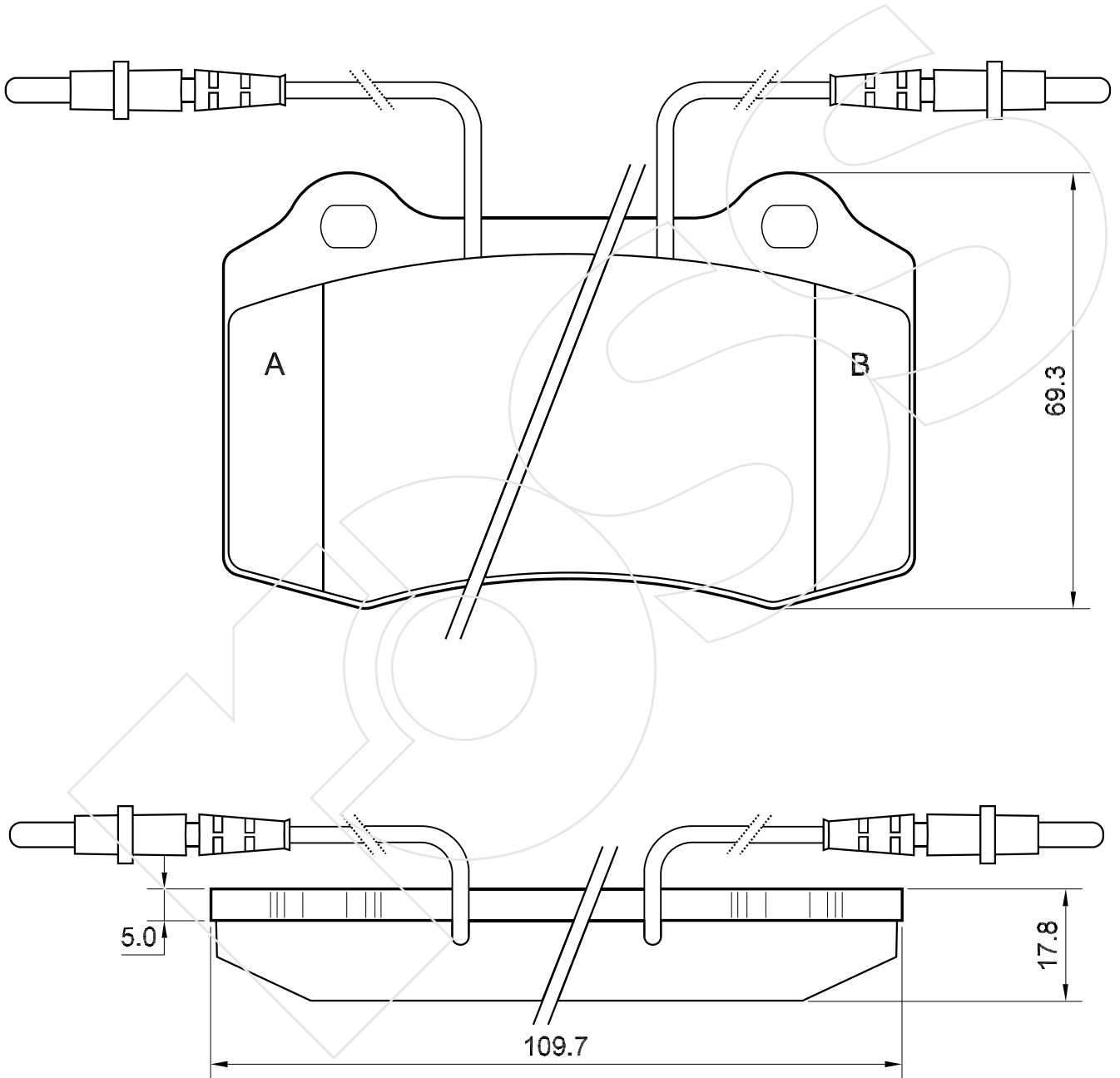


CODICE	IMPIANTO		ASSE	SCALA	APPLICAZIONI
<b>R-984</b>	ATE		ANTERIORE	75%	AUDI
CODICE COMPONENTI	N°	L(mm)	SERIE		SEAT
*	*	*	2 PEZZI TIPO A		SKODA
M0091+F3114	1+1	160	1 PEZZO TIPO B		VOLKSWAGEN
M0091	1	*	1 PEZZO TIPO C		
*	*	*	*		
CODICE ACCESSORI	N°	L(mm)	NOTE		
*	*	*			
*	*	*			
*	*	*			
*	*	*			



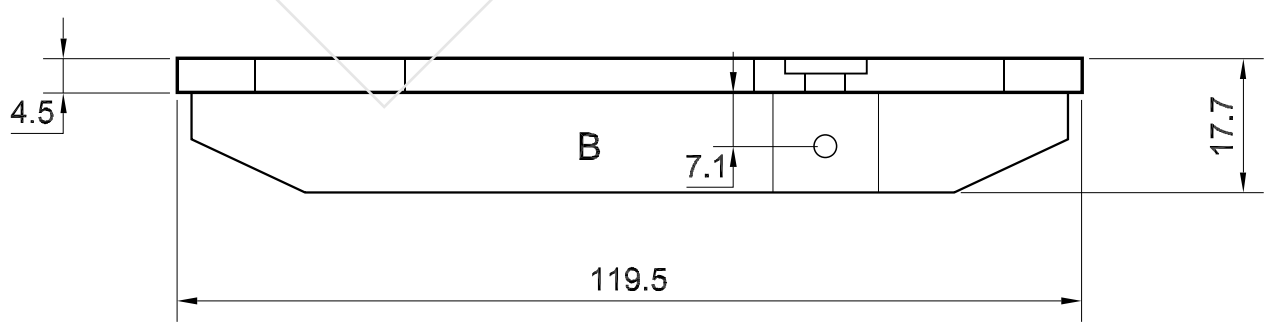
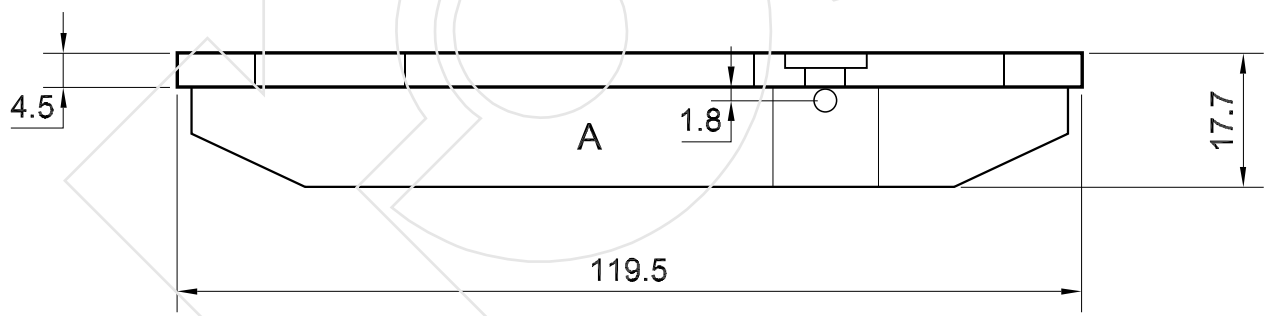
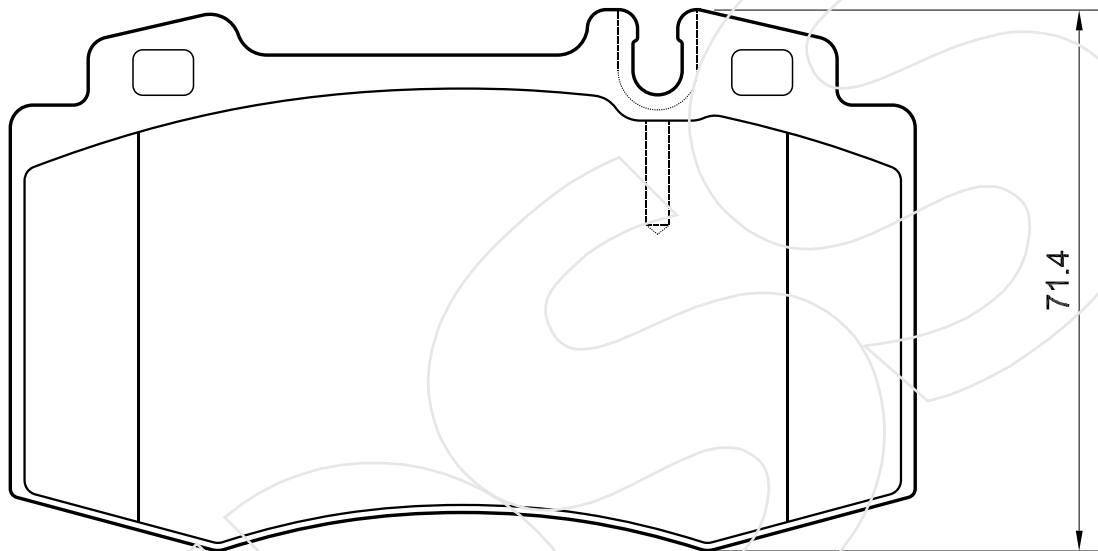
Reference in this Catalogue to other manufactures and to part numbers and other descriptions are for identification purposes only, because the above DISC BRAKE PADS are NOT ORIGINAL but with these interchangeable.

CODICE	IMPIANTO		ASSE	SCALA	APPLICAZIONI
<b>R-985</b>	BREMBO		ANTERIORE	100%	PEUGEOT
CODICE COMPONENTI	N°	L(mm)	SERIE		
F3129	2	370	2 PEZZI TIPO A		
F3129	2	370	2 PEZZI TIPO B		
*	*	*	*		
*	*	*	*		
CODICE ACCESSORI	N°	L(mm)	NOTE		
*	*	*			
*	*	*			
*	*	*			
*	*	*			



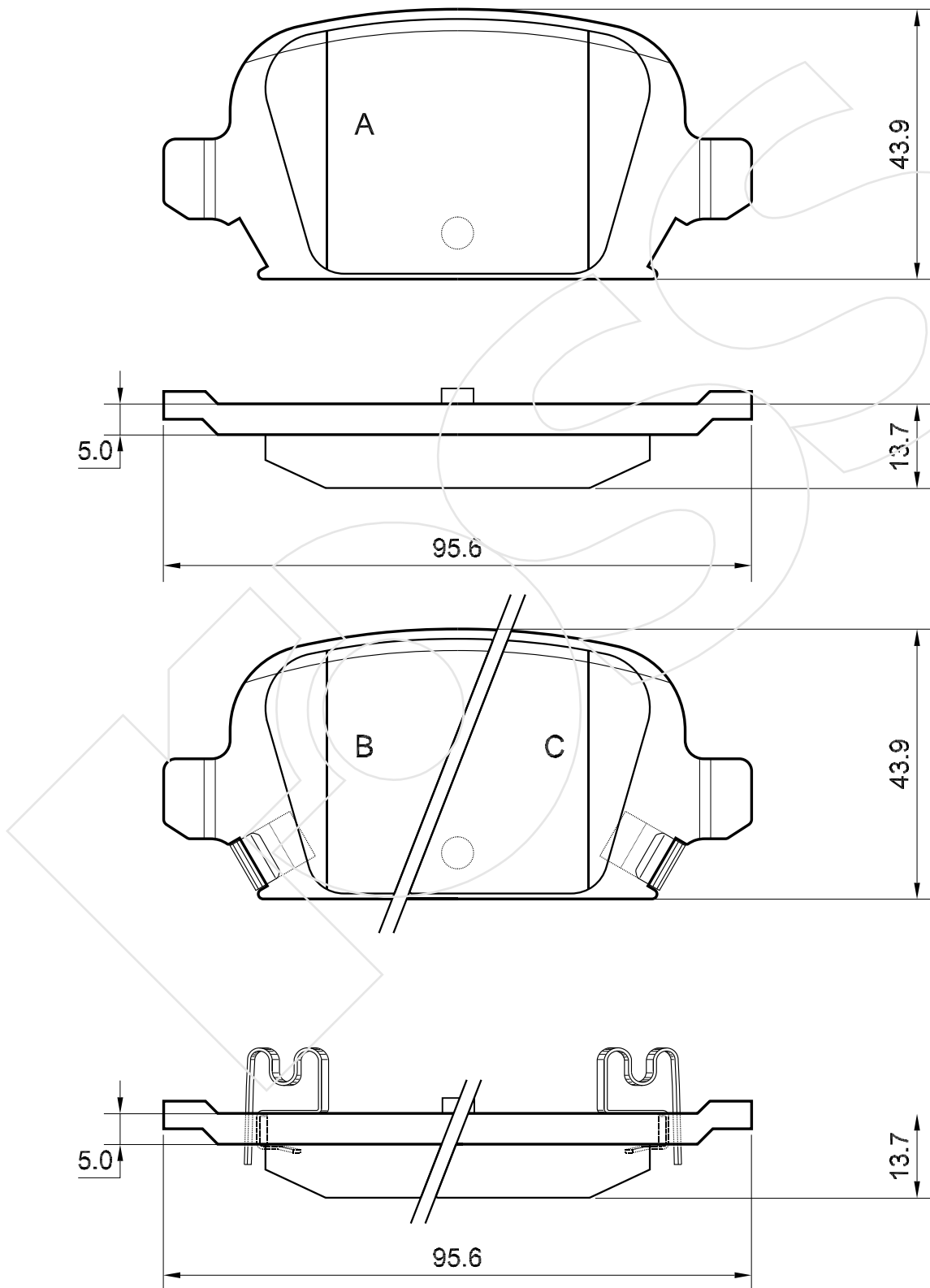
Reference in this Catalogue to other manufactures and to part numbers and other descriptions are for identification purposes only, because the above DISC BRAKE PADS are NOT ORIGINAL but with these interchangeable.

CODICE	IMPIANTO	ASSE	SCALA	APPLICAZIONI
<b>R-986</b>	ATE	ANTERIORE	100%	MERCEDES
CODICE COMPONENTI	N°	L(mm)	SERIE	
*	*	*	2 PEZZI TIPO A	
*	*	*	2 PEZZI TIPO B	
*	*	*	*	
*	*	*	*	
CODICE ACCESSORI	N°	L(mm)	NOTE	
*	*	*		
*	*	*		
*	*	*		
*	*	*		



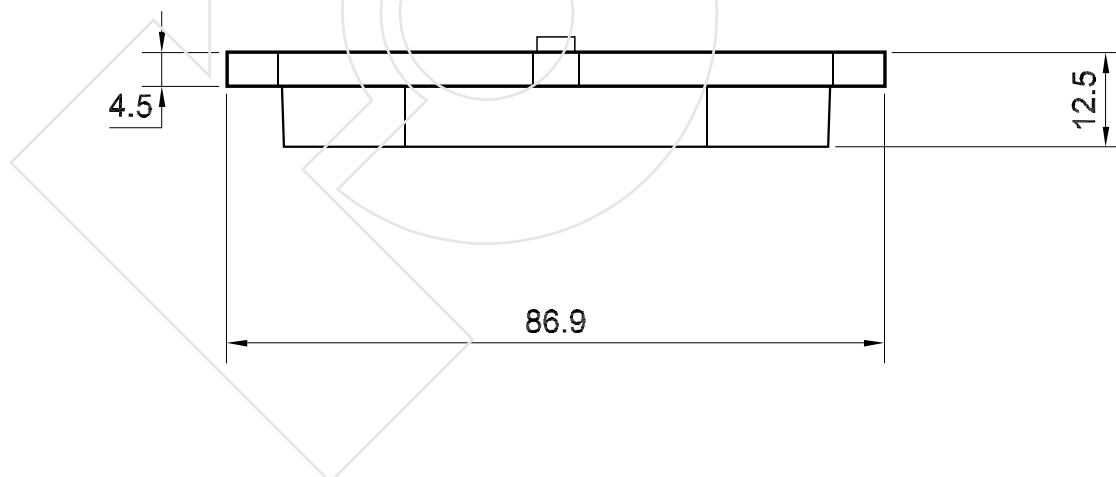
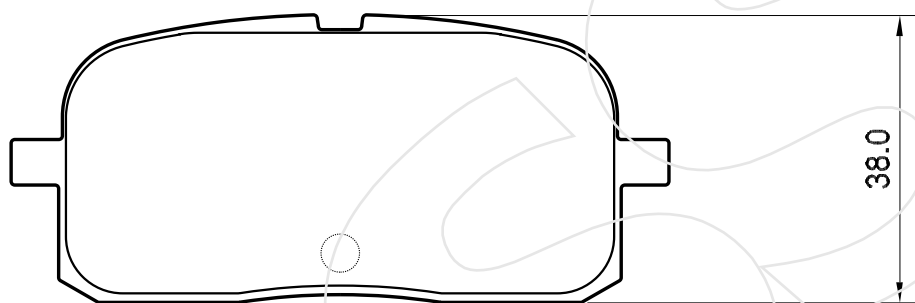
Reference in this Catalogue to other manufactures and to part numbers and other descriptions are for identification purposes only, because the above DISC BRAKE PADS are NOT ORIGINAL but with these interchangeable.

CODICE	IMPIANTO		ASSE	SCALA	APPLICAZIONI
<b>R-987</b>	LUCAS		POSTERIORE	100%	OPEL
CODICE COMPONENTI	N°	L(mm)	SERIE		VAUXHALL
*	*	*	2 PEZZI TIPO A		
M0141	1	*	1 PEZZO TIPO B		
M0141	1	*	1 PEZZO TIPO C		
*	*	*	*		
CODICE ACCESSORI	N°	L(mm)	NOTE		
*	*	*			
*	*	*			
*	*	*			
*	*	*			



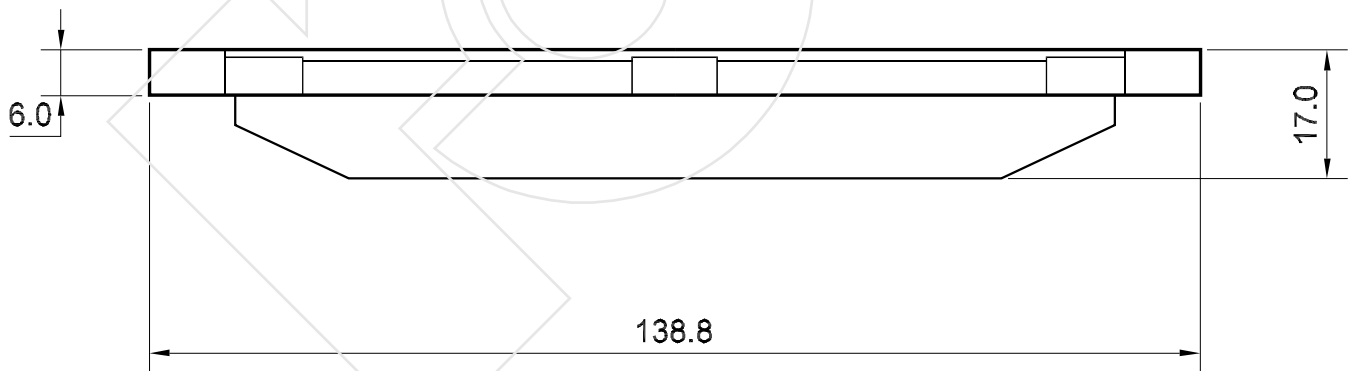
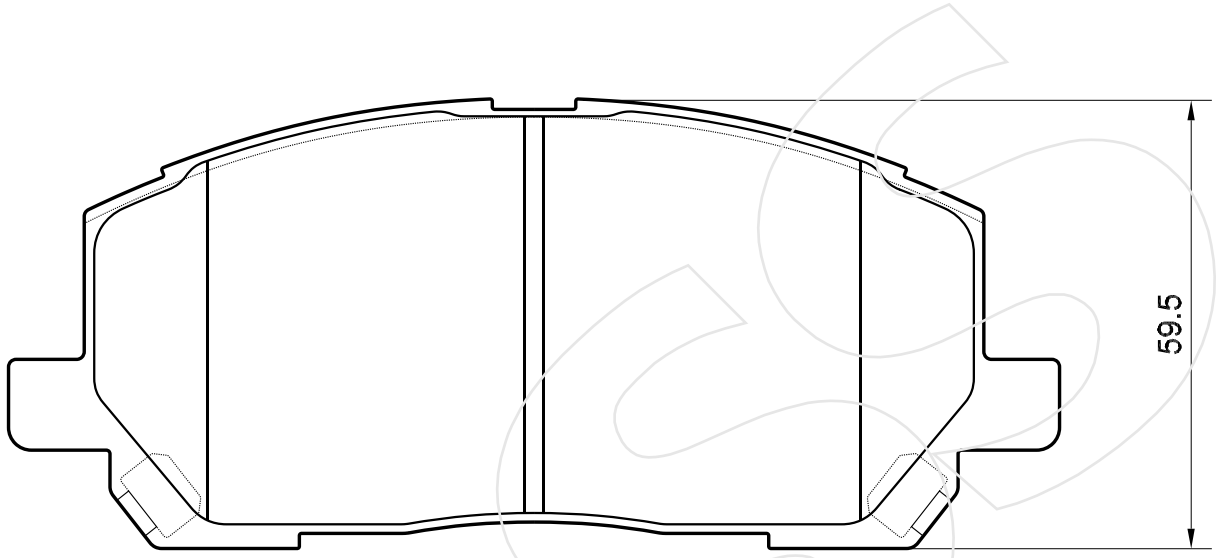
Reference in this Catalogue to other manufactures and to part numbers and other descriptions are for identification purposes only, because the above DISC BRAKE PADS are NOT ORIGINAL but with these interchangeable.

CODICE	IMPIANTO		ASSE	SCALA	APPLICAZIONI
<b>R-988</b>	AKEBONO		POSTERIORE	100%	TOYOTA
CODICE COMPONENTI	N°	L(mm)	SERIE		
*	*	*	4 PEZZI		
*	*	*	*		
*	*	*	*		
*	*	*	*		
CODICE ACCESSORI	N°	L(mm)	NOTE		
*	*	*			
*	*	*			
*	*	*			
*	*	*			



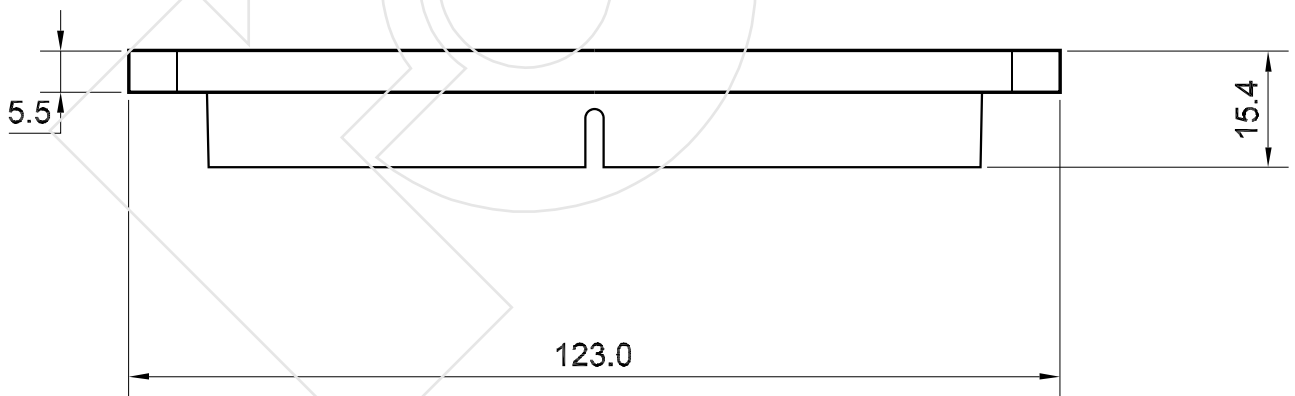
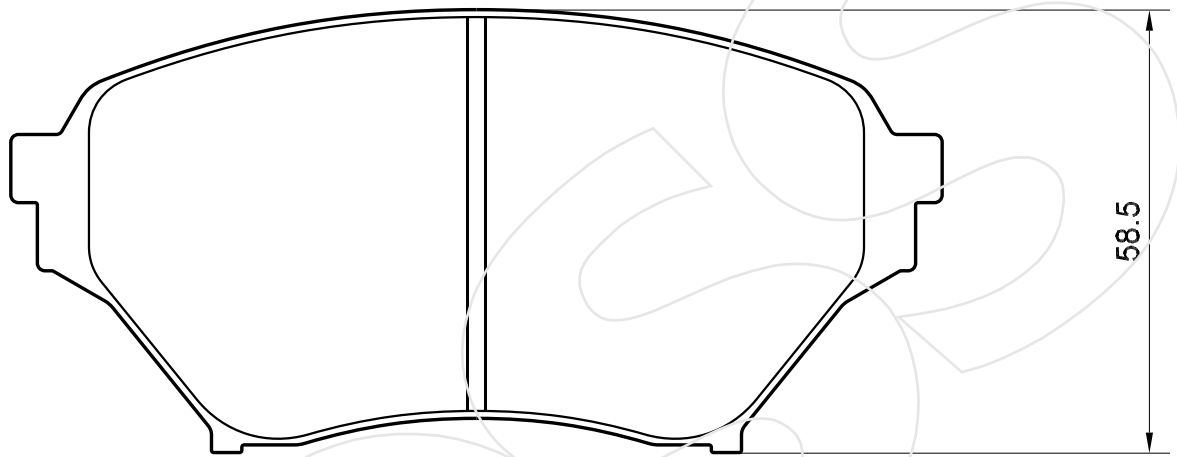
Reference in this Catalogue to other manufactures and to part numbers and other descriptions are for identification purposes only, because the above DISC BRAKE PADS are NOT ORIGINAL but with these interchangeable.

CODICE	IMPIANTO	ASSE	SCALA	APPLICAZIONI
<b>R-989</b>	*	ANTERIORE	100%	TOYOTA
CODICE COMPONENTI	N°	L(mm)	SERIE	
*	*	*	4 PEZZI	
*	*	*	*	
*	*	*	*	
*	*	*	*	
CODICE ACCESSORI	N°	L(mm)	NOTE	
*	*	*		
*	*	*		
*	*	*		
*	*	*		



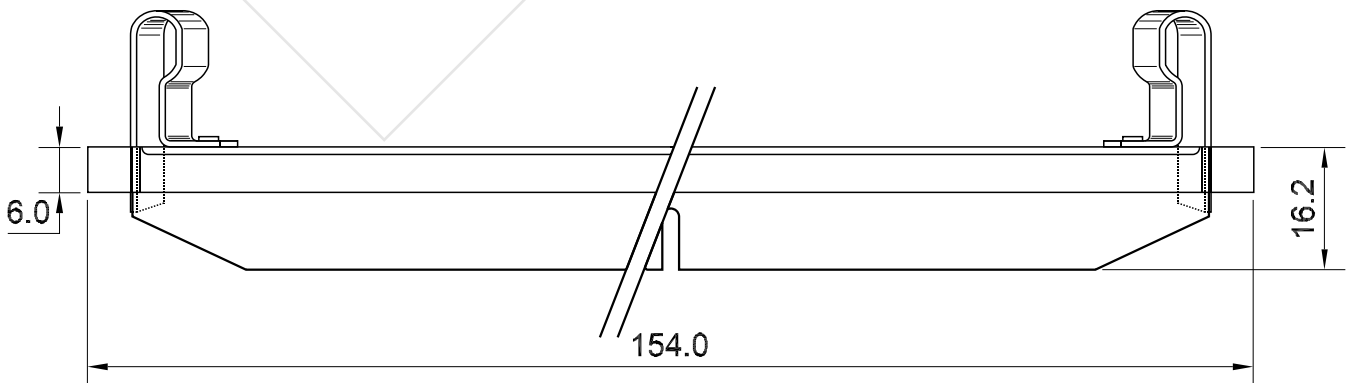
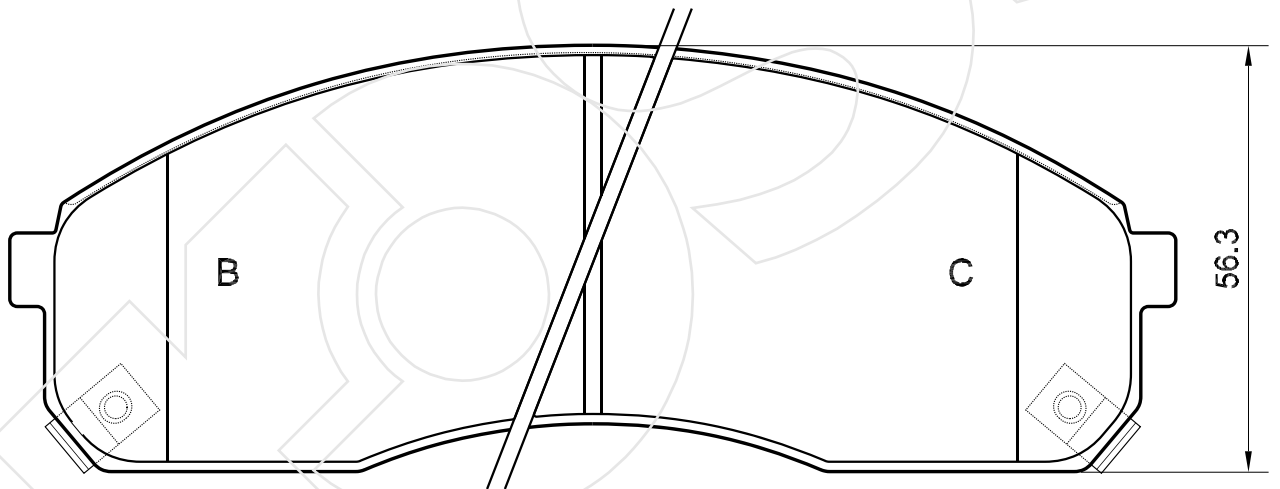
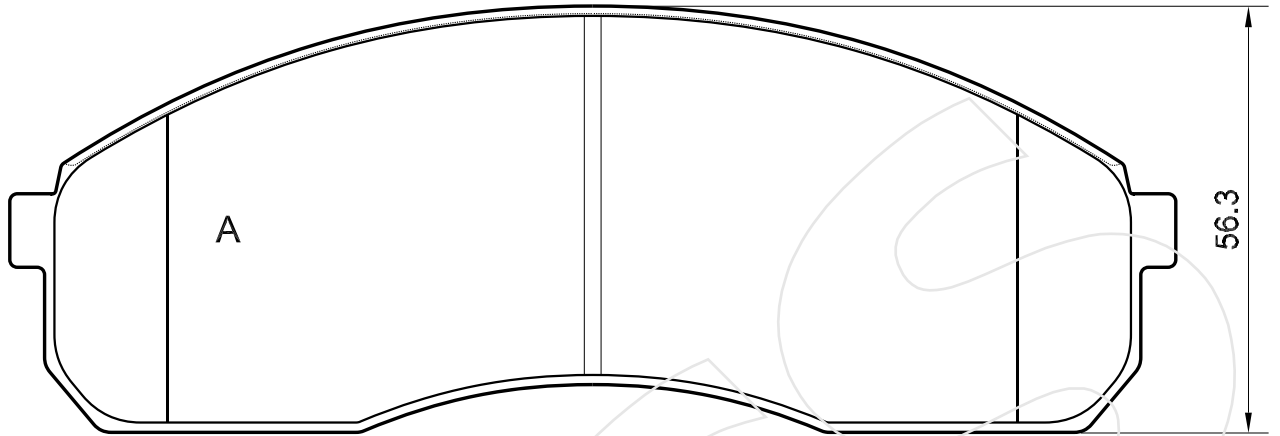
Reference in this Catalogue to other manufactures and to part numbers and other descriptions are for identification purposes only, because the above DISC BRAKE PADS are NOT ORIGINAL but with these interchangeable.

CODICE	IMPIANTO		ASSE	SCALA	APPLICAZIONI
<b>R-990</b>	SUMITOMO		ANTERIORE	100%	TOYOTA MAZDA
CODICE COMPONENTI	N°	L(mm)	SERIE		
*	*	*	4 PEZZI		
*	*	*			
*	*	*			
*	*	*			
CODICE ACCESSORI	N°	L(mm)	NOTE		
M0141	2	*			
*	*	*			
*	*	*			
*	*	*			



Reference in this Catalogue to other manufactures and to part numbers and other descriptions are for identification purposes only, because the above DISC BRAKE PADS are NOT ORIGINAL but with these interchangeable.

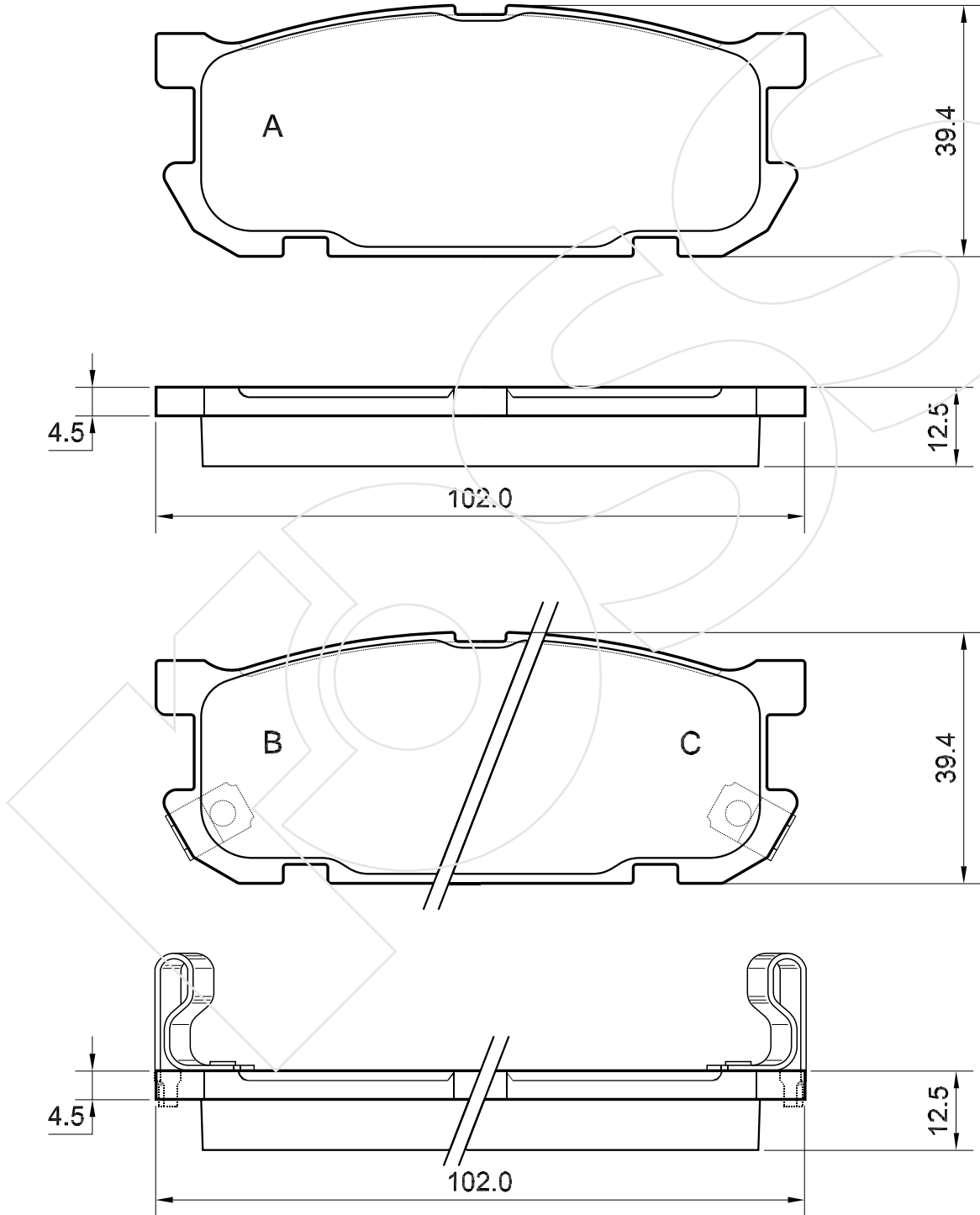
CODICE	IMPIANTO		ASSE	SCALA	APPLICAZIONI
<b>R-991</b>	SUMITOMO		ANTERIORE	100%	KIA
CODICE COMPONENTI	N°	L(mm)	SERIE		
*	*	*	2 PEZZI TIPO A		
M0069	1	*	1 PEZZO TIPO B		
M0069	1	*	1 PEZZO TIPO C		
*	*	*	*		
CODICE ACCESSORI	N°	L(mm)	NOTE		
*	*	*			
*	*	*			
*	*	*			
*	*	*			



Reference in this Catalogue to other manufactures and to part numbers and other descriptions are for identification purposes only, because the above DISC BRAKE PADS are NOT ORIGINAL but with these interchangeable.

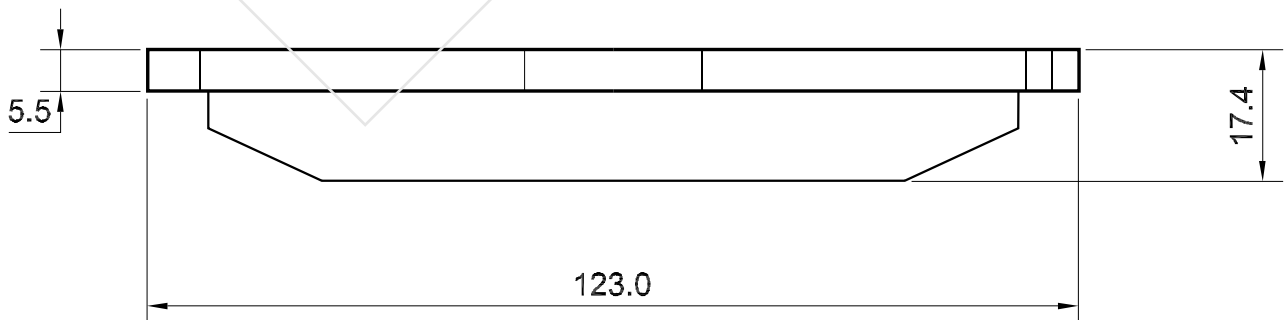
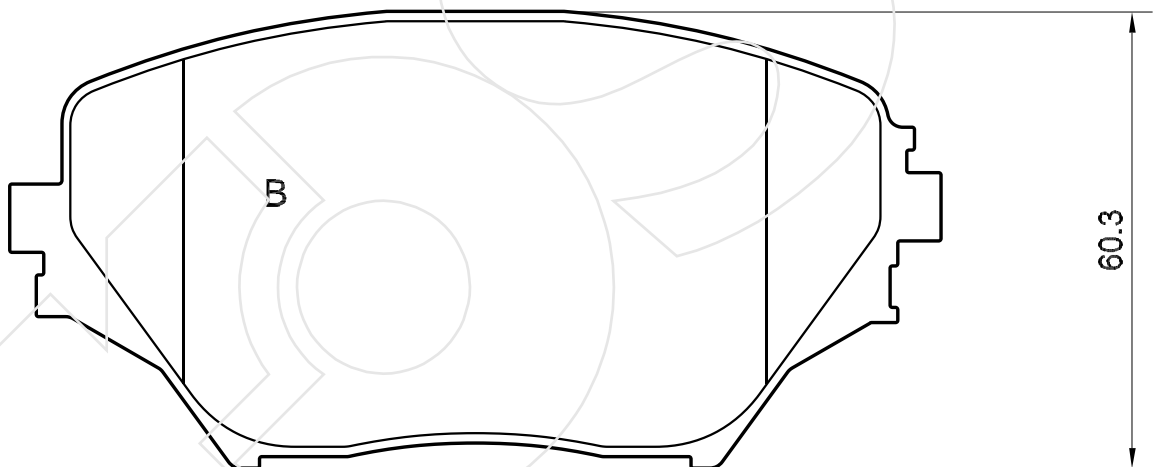
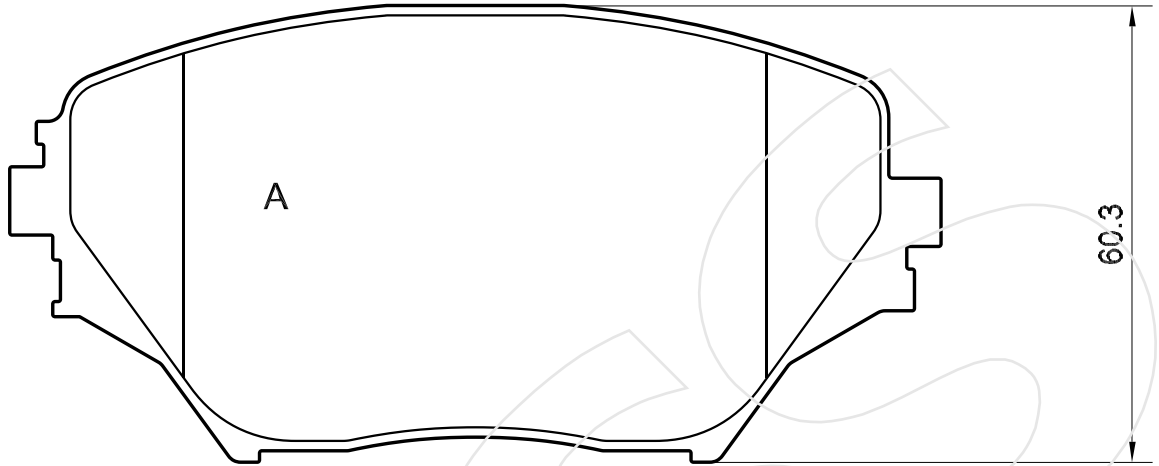


CODICE	IMPIANTO		ASSE	SCALA	APPLICAZIONI
<b>R-992</b>	AKEBONO		POSTERIORE	100%	MAZDA
CODICE COMPONENTI	N°	L(mm)	SERIE		
*	*	*	2 PEZZI TIPO A		
M0153	1	*	1 PEZZO TIPO B		
M0153	1	*	1 PEZZO TIPO C		
*	*	*	*		
CODICE ACCESSORI	N°	L(mm)	NOTE		
*	*	*			
*	*	*			
*	*	*			
*	*	*			



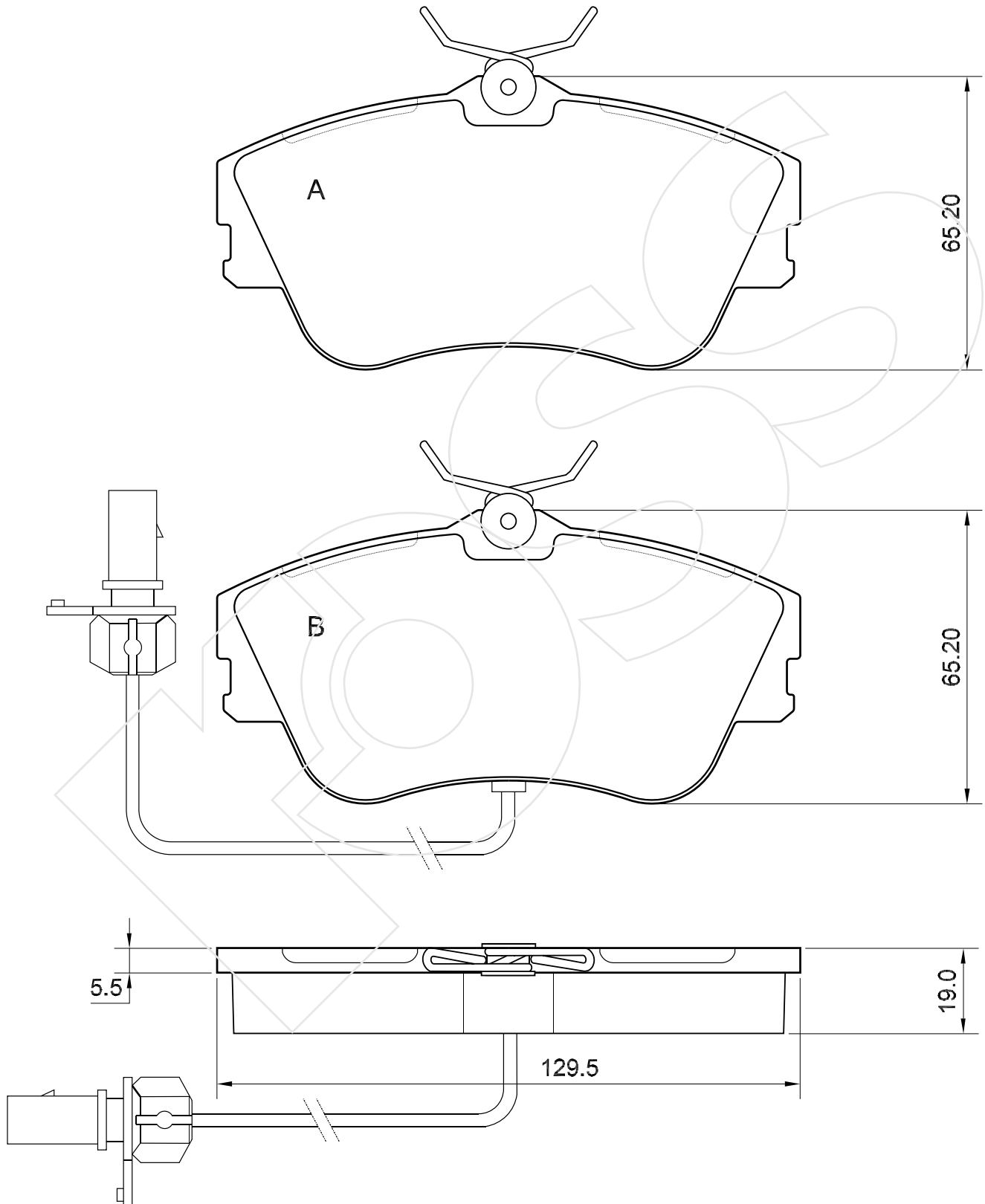
Reference in this Catalogue to other manufactures and to part numbers and other descriptions are for identification purposes only, because the above DISC BRAKE PADS are NOT ORIGINAL but with these interchangeable.

CODICE	IMPIANTO		ASSE	SCALA	APPLICAZIONI
<b>R-993</b>	SUMITOMO		ANTERIORE	100%	TOYOTA
CODICE COMPONENTI	N°	L(mm)	SERIE		
*	*	*	2 PEZZI TIPO A		
*	*	*	2 PEZZI TIPO B		
*	*	*	*		
*	*	*	*		
CODICE ACCESSORI	N°	L(mm)	NOTE		
*	*	*			
*	*	*			
*	*	*			
*	*	*			



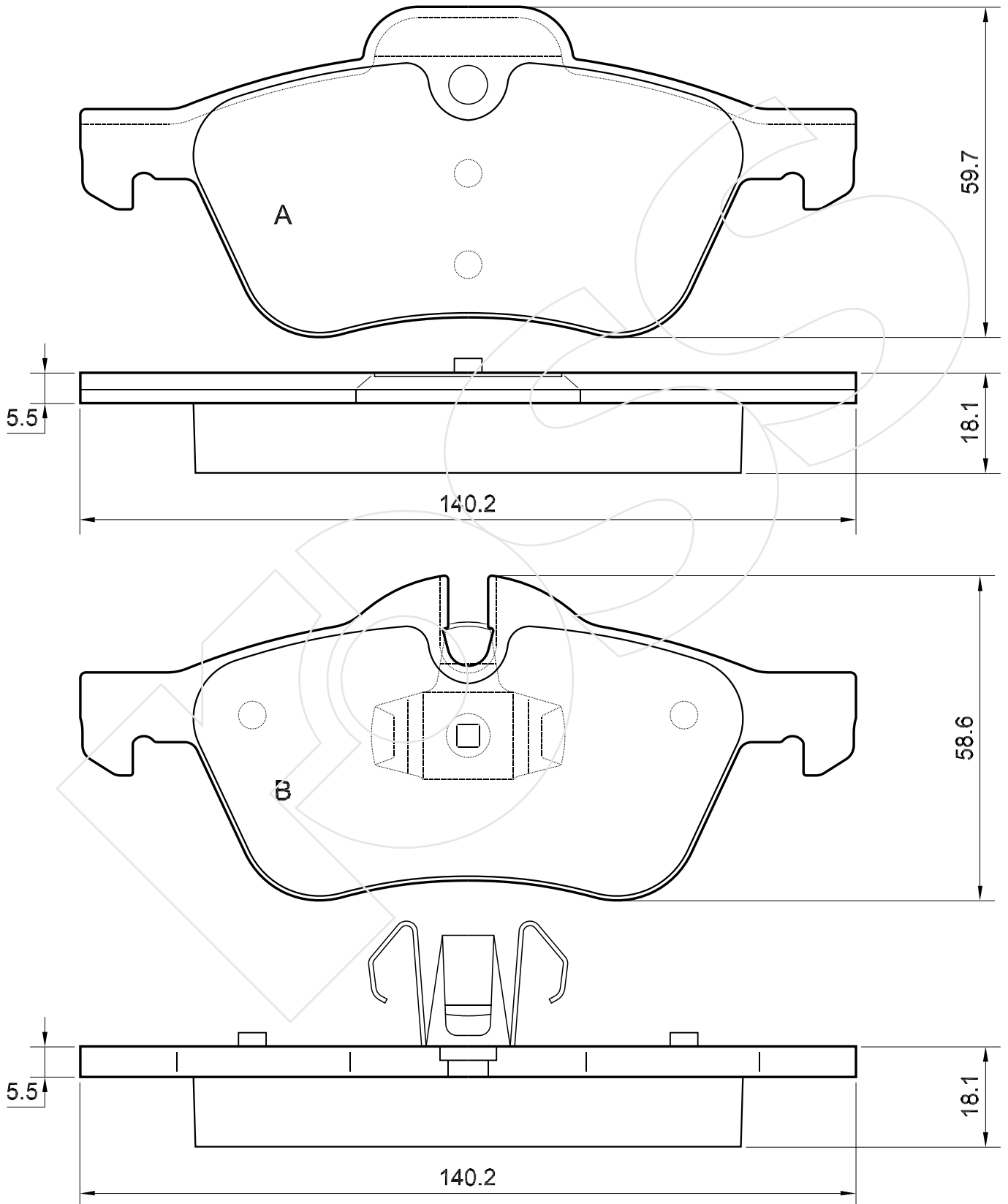
Reference in this Catalogue to other manufactures and to part numbers and other descriptions are for identification purposes only, because the above DISC BRAKE PADS are NOT ORIGINAL but with these interchangeable.

CODICE	IMPIANTO		ASSE	SCALA	APPLICAZIONI
<b>R-994</b>	GIRLING		ANTERIORE	80%	VOLKSWAGEN
CODICE COMPONENTI	N°	L(mm)	SERIE		
M0015	3	*	3 PEZZI TIPO A		
M0015+F3044	1+1	210	1 PEZZO TIPO B		
*	*	*	*		
*	*	*	*		
CODICE ACCESSORI	N°	L(mm)	NOTE		
*	*	*			
*	*	*			
*	*	*			
*	*	*			



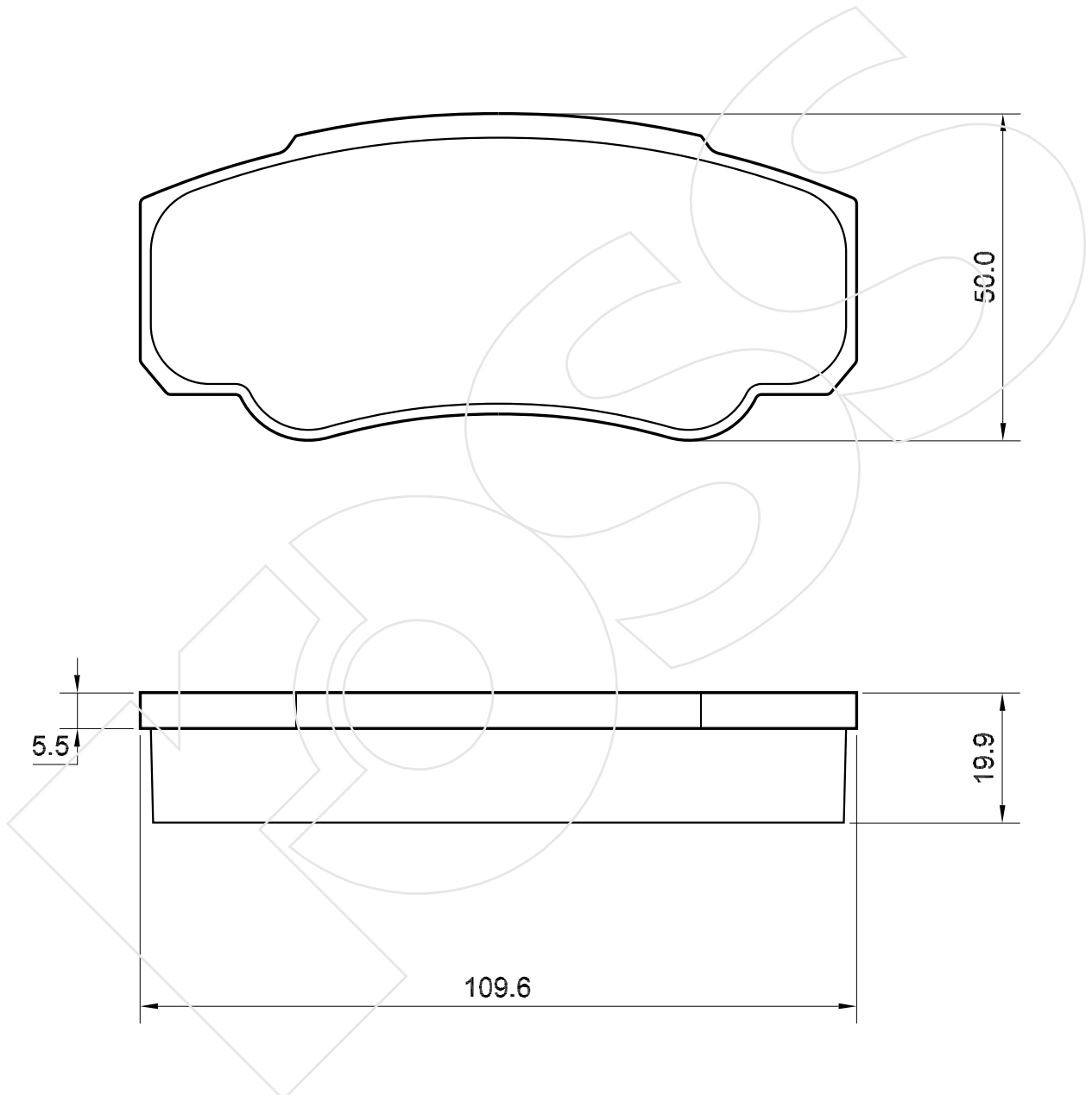
Reference in this Catalogue to other manufactures and to part numbers and other descriptions are for identification purposes only, because the above DISC BRAKE PADS are NOT ORIGINAL but with these interchangeable.

CODICE	IMPIANTO		ASSE	SCALA	APPLICAZIONI
<b>R-995</b>	LUCAS		ANTERIORE	100%	MINI
CODICE COMPONENTI	N°	L(mm)	SERIE		
*	*	*	2 PEZZI TIPO A		
M0200	2	*	2 PEZZI TIPO B		
*	*	*	*		
*	*	*	*		
CODICE ACCESSORI	N°	L(mm)	NOTE		
*	*	*			
*	*	*			
*	*	*			
*	*	*			



Reference in this Catalogue to other manufactures and to part numbers and other descriptions are for identification purposes only, because the above DISC BRAKE PADS are NOT ORIGINAL but with these interchangeable.

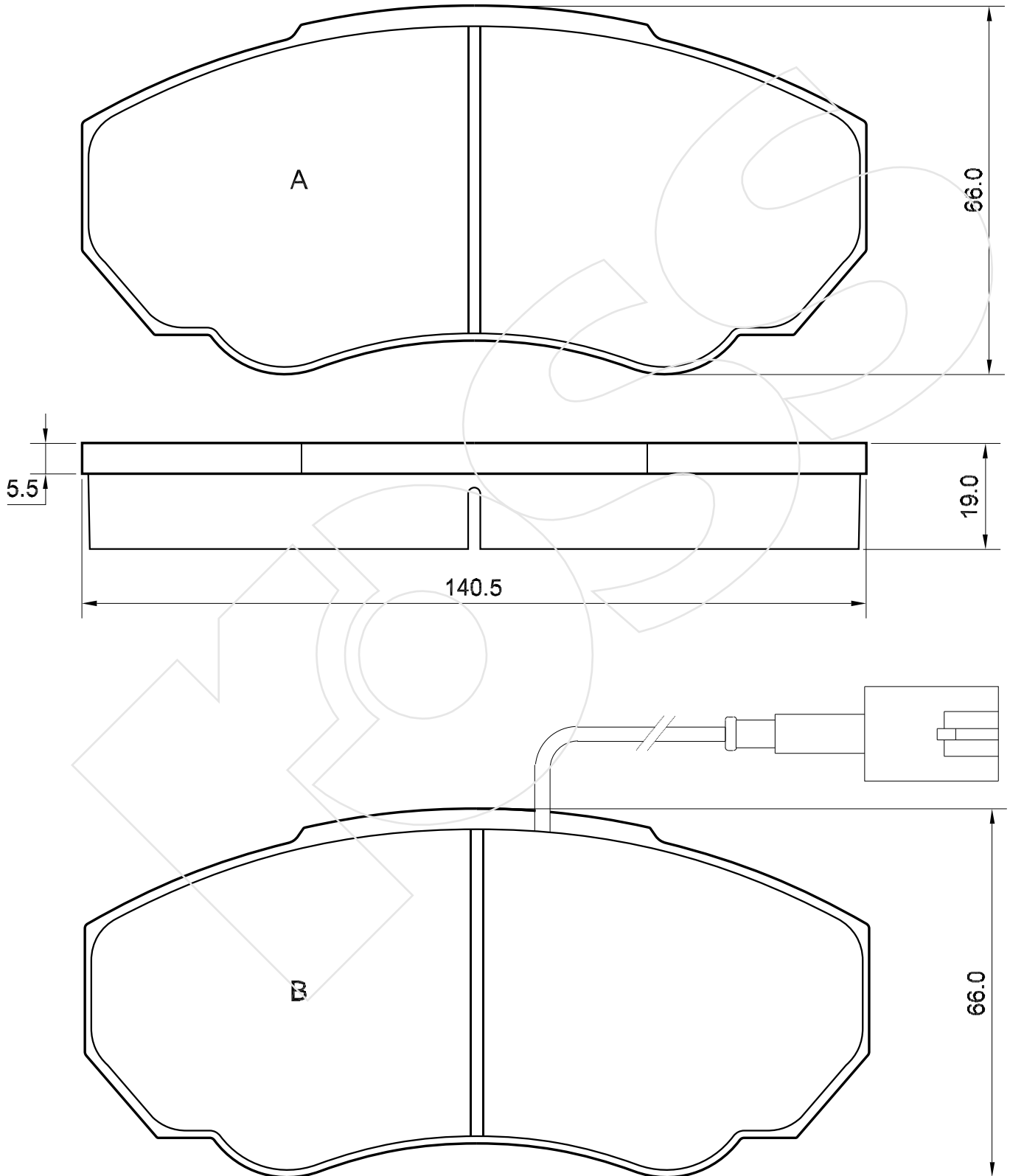
CODICE	IMPIANTO	ASSE	SCALA	APPLICAZIONI
<b>R-996</b>	BREMBO	POSTERIORE	100%	FIAT PEUGEOT
CODICE COMPONENTI	N°	L(mm)	SERIE	
*	*	*	4 PEZZI	
*	*	*	*	
*	*	*	*	
*	*	*	*	
CODICE ACCESSORI	N°	L(mm)	NOTE	
*	*	*		
*	*	*		
*	*	*		
*	*	*		



Reference in this Catalogue to other manufactures and to part numbers and other descriptions are for identification purposes only, because the above DISC BRAKE PADS are NOT ORIGINAL but with these interchangeable.

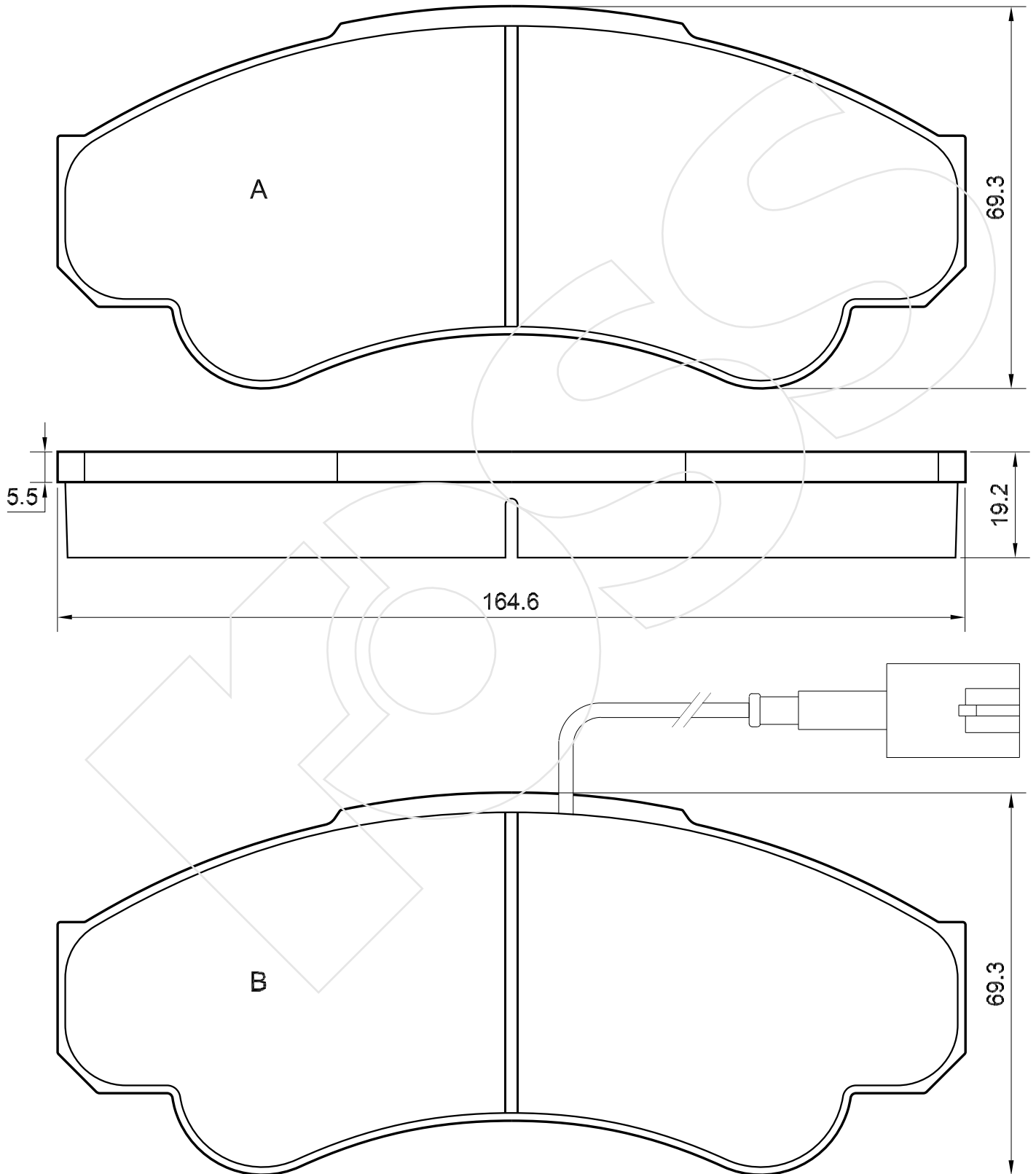
CODICE	IMPIANTO		ASSE	SCALA	APPLICAZIONI
<b>R-997</b>	BREMBO		ANTERIORE	100%	FIAT
CODICE COMPONENTI	N°	L(mm)	SERIE		
*	*	*	3 PEZZI TIPO A		
F3019	1	220	1 PEZZO TIPO B		
*	*	*	*		
*	*	*	*		
CODICE ACCESSORI	N°	L(mm)	NOTE		
*	*	*			
*	*	*			
*	*	*			
*	*	*			

PEUGEOT



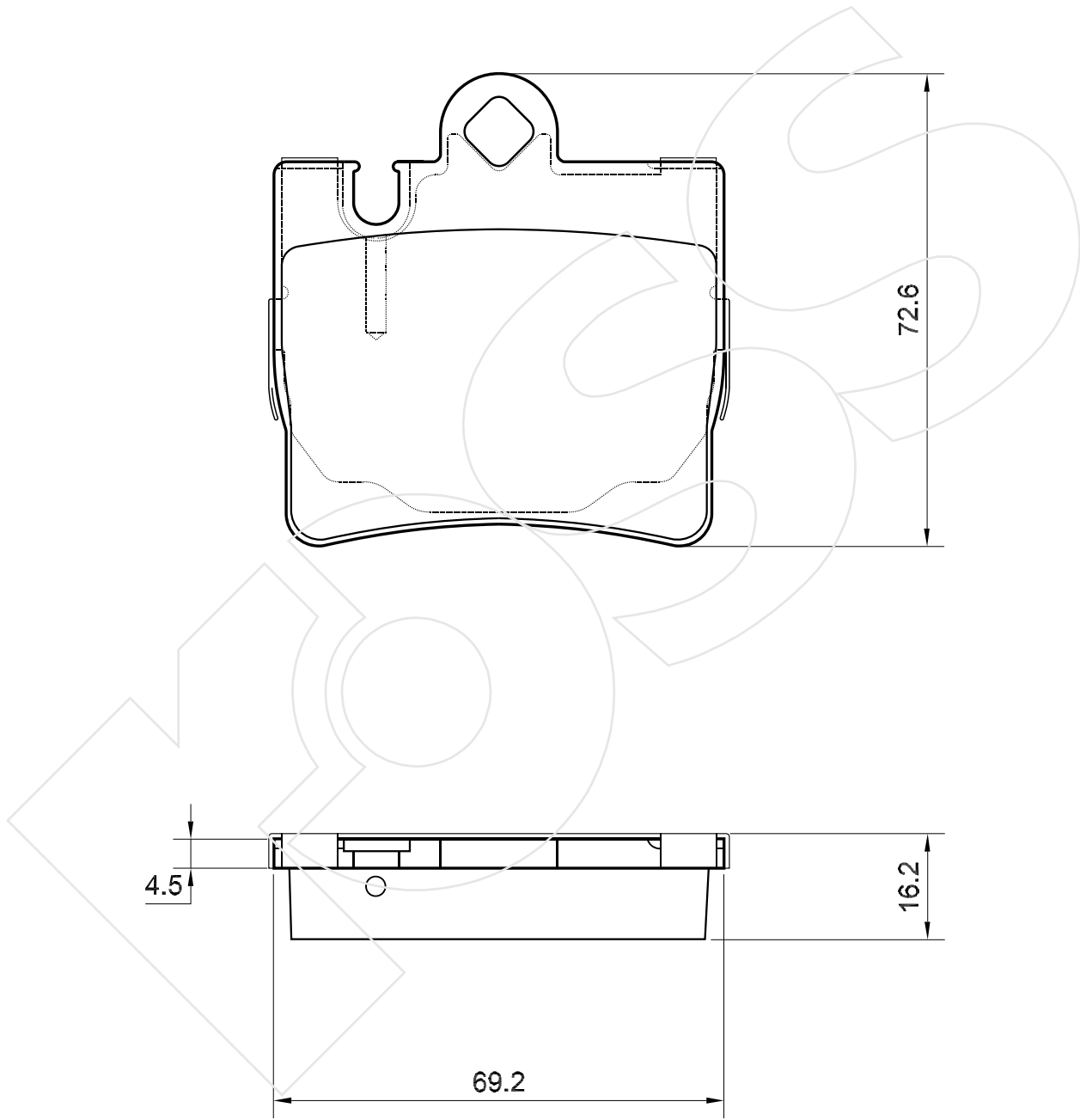
Reference in this Catalogue to other manufactures and to part numbers and other descriptions are for identification purposes only, because the above DISC BRAKE PADS are NOT ORIGINAL but with these interchangeable.

CODICE	IMPIANTO	ASSE	SCALA	APPLICAZIONI
<b>R-998</b>	BREMBO	ANTERIORE	100%	CITROEN FIAT PEUGEOT
CODICE COMPONENTI	N°	L(mm)	SERIE	
*	*	*	3PEZZI TIPO A	
F3019	1	220	1PEZZO TIPO B	
*	*	*	*	
*	*	*	*	
CODICE ACCESSORI	N°	L(mm)	NOTE	
*	*	*		
*	*	*		
*	*	*		
*	*	*		



Reference in this Catalogue to other manufactures and to part numbers and other descriptions are for identification purposes only, because the above DISC BRAKE PADS are NOT ORIGINAL but with these interchangeable.

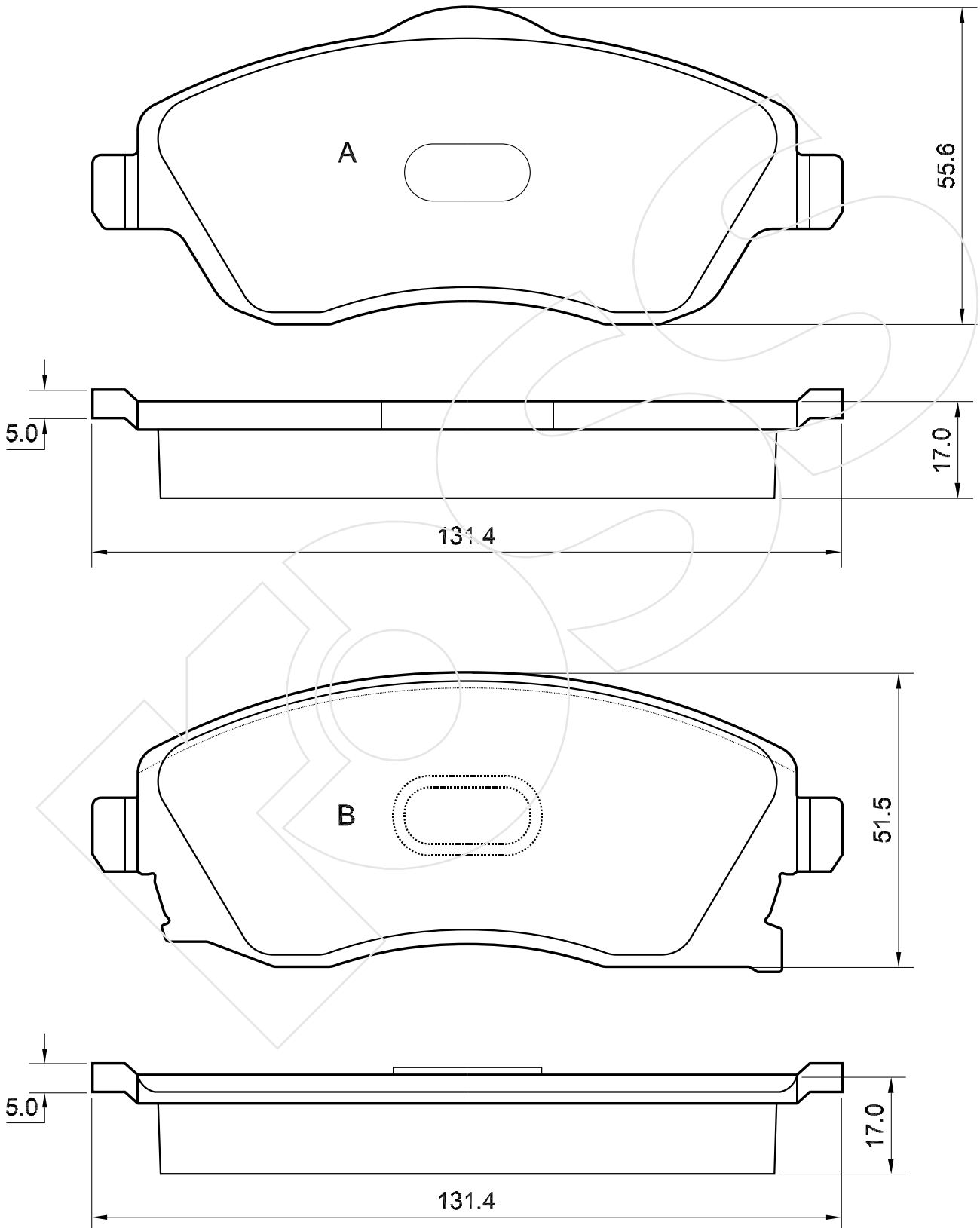
CODICE	IMPIANTO		ASSE	SCALA	APPLICAZIONI
<b>R-999</b>	ATE		POSTERIORE	100%	MERCEDES
CODICE COMPONENTI	N°	L(mm)	SERIE		
ANTIVIBRANTE	4	*	4 PEZZI		
*	*	*	*		
*	*	*	*		
*	*	*	*		
CODICE ACCESSORI	N°	L(mm)	NOTE		
*	*	*			
*	*	*			
*	*	*			
*	*	*			



Reference in this Catalogue to other manufactures and to part numbers and other descriptions are for identification purposes only, because the above DISC BRAKE PADS are NOT ORIGINAL but with these interchangeable.

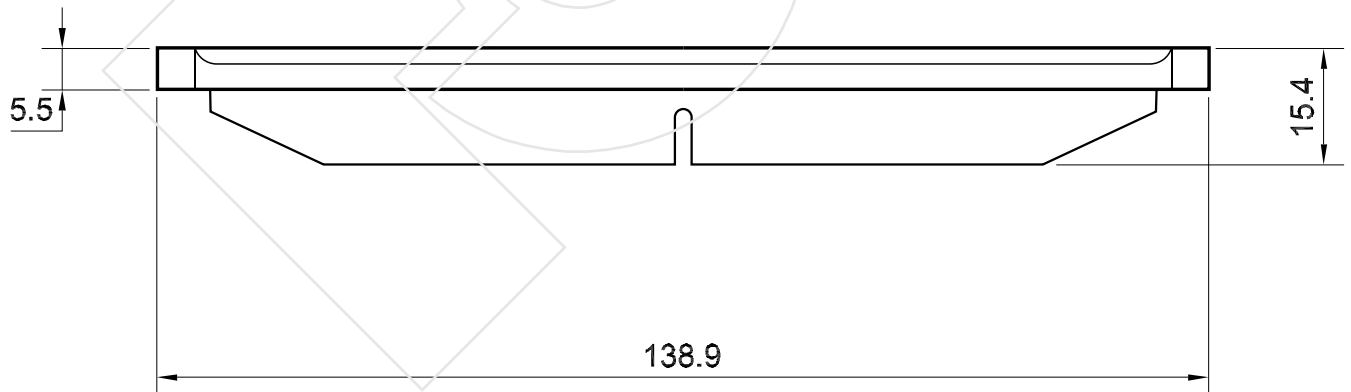
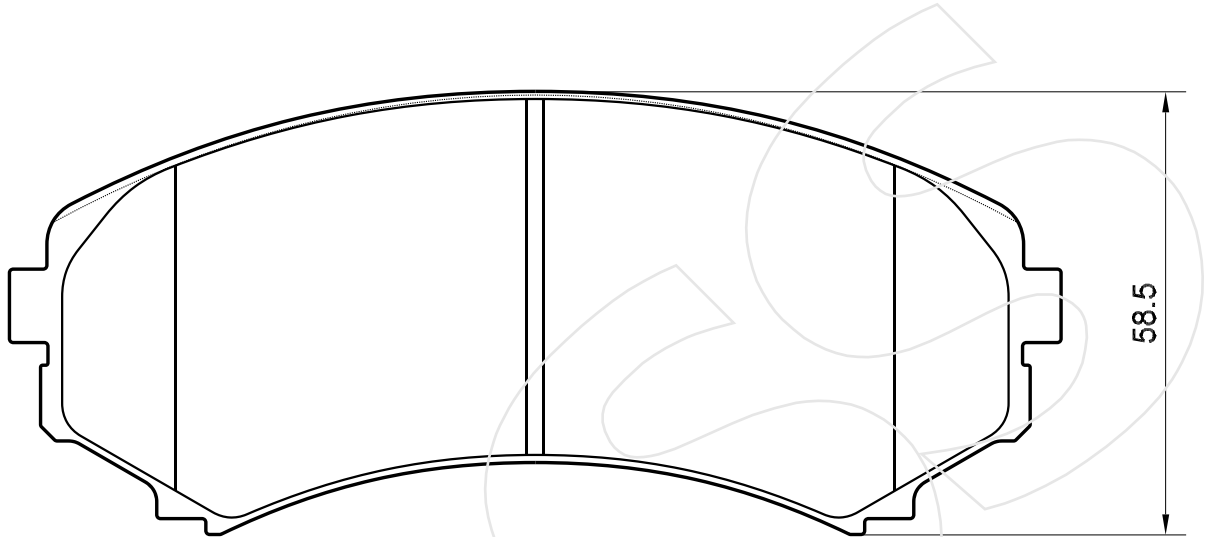


CODICE	IMPIANTO	ASSE	SCALA	APPLICAZIONI
<b>R-1000</b>	GIRLING	ANTERIORE	100%	OPEL
CODICE COMPONENTI	N°	L(mm)	SERIE	
*	*	*	2 PEZZI TIPO A	
*	*	*	2 PEZZI TIPO B	
*	*	*	*	
*	*	*	*	
CODICE ACCESSORI	N°	L(mm)	NOTE	
*	*	*		
*	*	*		
*	*	*		
*	*	*		



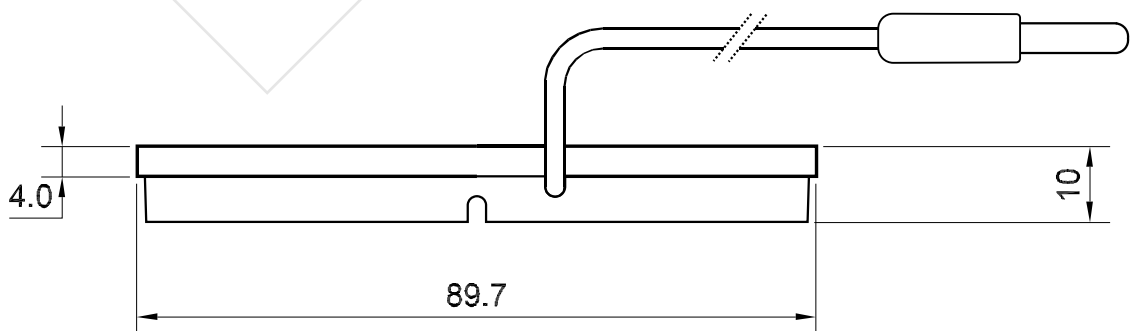
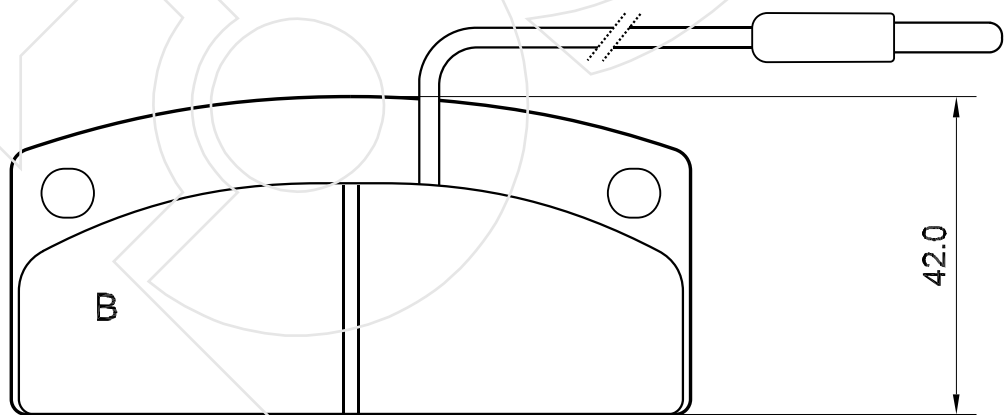
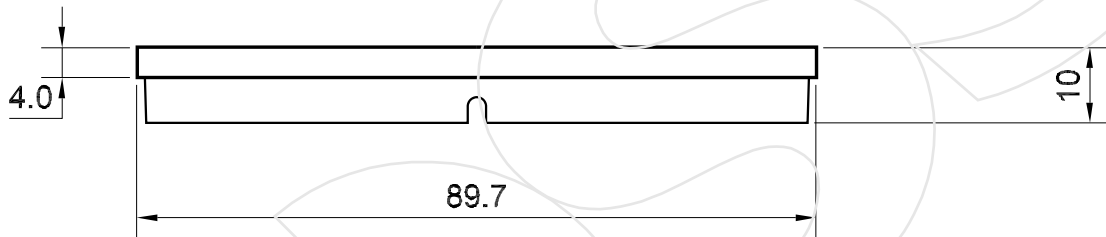
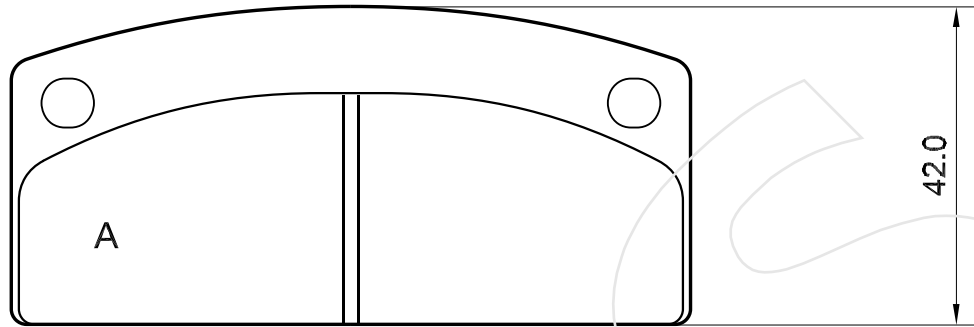
Reference in this Catalogue to other manufactures and to part numbers and other descriptions are for identification purposes only, because the above DISC BRAKE PADS are NOT ORIGINAL but with these interchangeable.

CODICE	IMPIANTO	ASSE	SCALA	APPLICAZIONI
<b>R-1001</b>	SUMITOMO	ANTERIORE	100%	MITSUBISHI
CODICE COMPONENTI	N°	L(mm)	SERIE	
*	*	*	4 PEZZI	
*	*	*	*	
*	*	*	*	
*	*	*	*	
CODICE ACCESSORI	N°	L(mm)	NOTE	
*	*	*		
*	*	*		
*	*	*		
*	*	*		



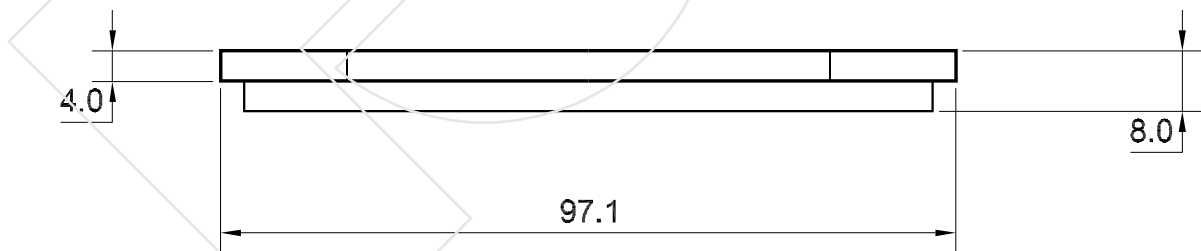
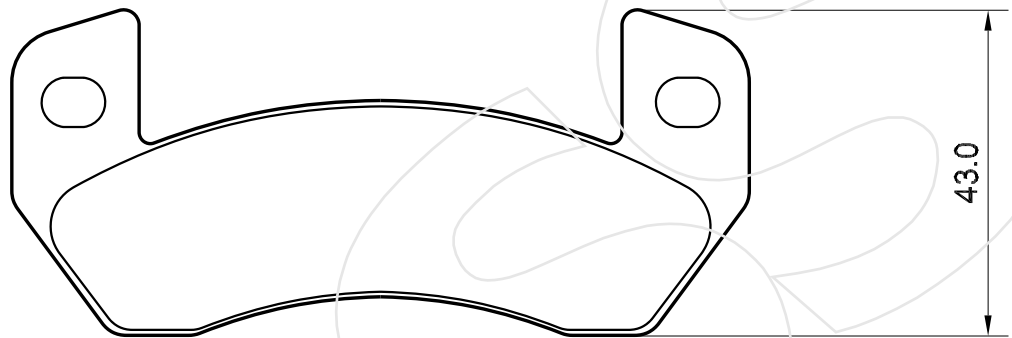
Reference in this Catalogue to other manufactures and to part numbers and other descriptions are for identification purposes only, because the above DISC BRAKE PADS are NOT ORIGINAL but with these interchangeable.

CODICE	IMPIANTO		ASSE	SCALA	APPLICAZIONI
<b>R-1002</b>	*		ANTERIORE	100%	LIGIER
CODICE COMPONENTI	N°	L(mm)	SERIE		
*	*	*	2 PEZZI TIPO A		
F3005	2	200	2 PEZZI TIPO B		
*	*	*	*		
*	*	*	*		
CODICE ACCESSORI	N°	L(mm)	NOTE		
*	*	*			
*	*	*			
*	*	*			
*	*	*			



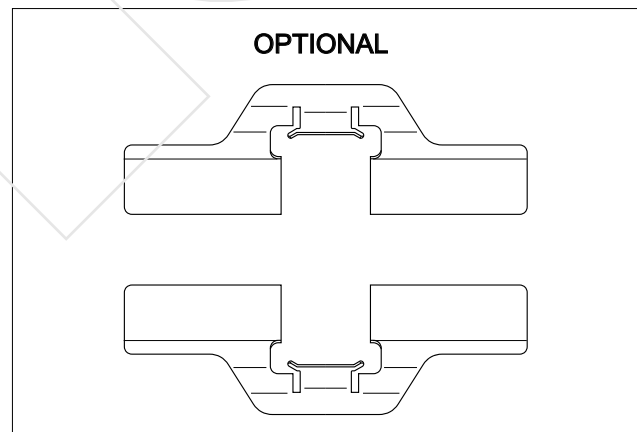
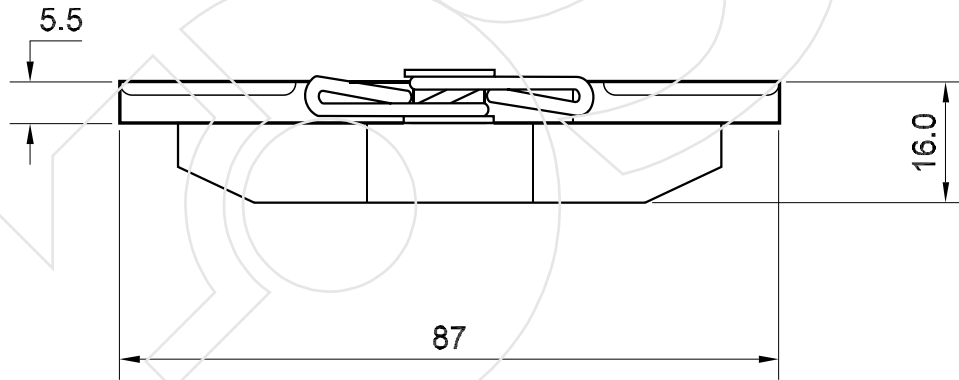
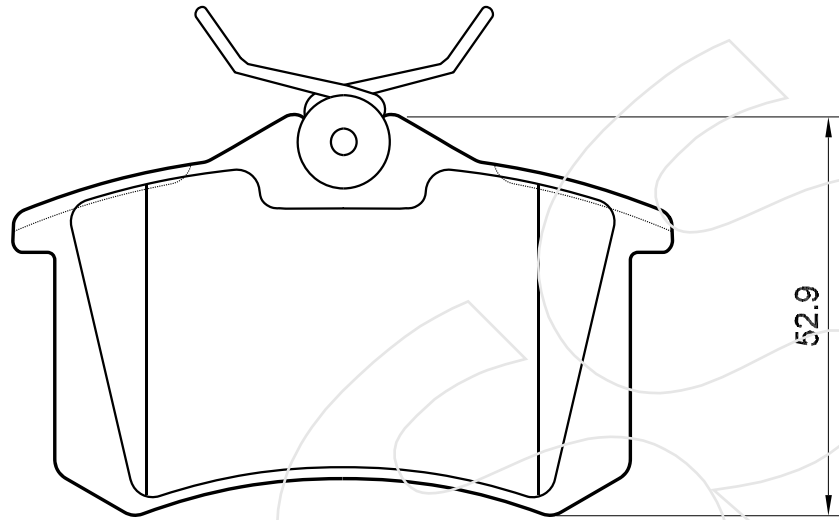
Reference in this Catalogue to other manufactures and to part numbers and other descriptions are for identification purposes only, because the above DISC BRAKE PADS are NOT ORIGINAL but with these interchangeable.

CODICE	IMPIANTO	ASSE	SCALA	APPLICAZIONI
<b>R-1003</b>	*	POSTERIORE	100%	LIGIER
CODICE COMPONENTI	N°	L(mm)	SERIE	
*	*	*	4 PEZZI	
*	*	*	*	
*	*	*	*	
*	*	*	*	
CODICE ACCESSORI	N°	L(mm)	NOTE	
*	*	*		
*	*	*		
*	*	*		
*	*	*		



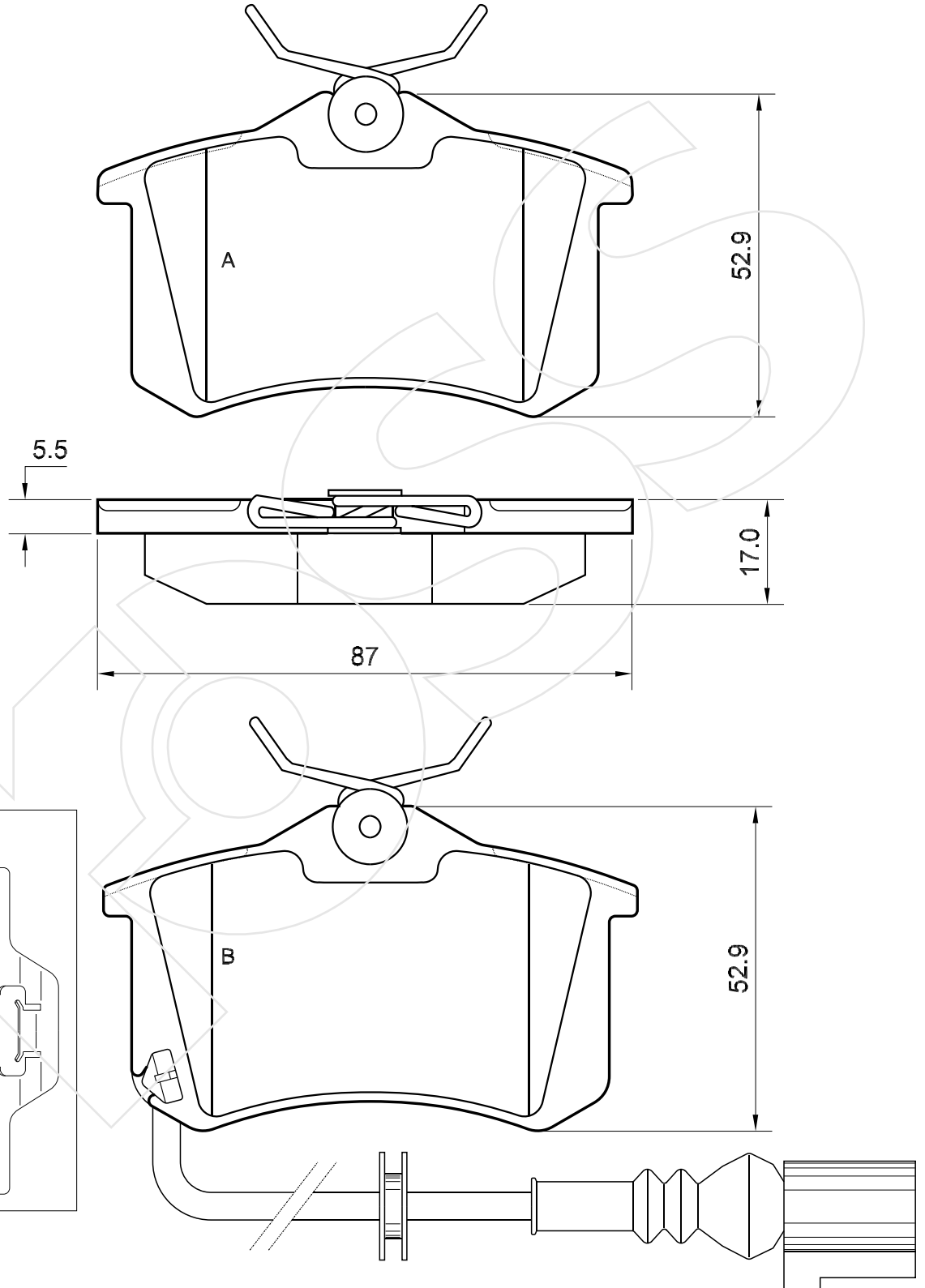
Reference in this Catalogue to other manufactures and to part numbers and other descriptions are for identification purposes only, because the above DISC BRAKE PADS are NOT ORIGINAL but with these interchangeable.

CODICE	IMPIANTO		ASSE	SCALA	APPLICAZIONI
<b>R-1004</b>	GIRLING		POSTERIORE	100%	RENAULT VOLKSWAGEN
CODICE COMPONENTI	N°	L(mm)	SERIE		
M0015	4	*	4 PEZZI		
*	*	*	*		
*	*	*	*		
*	*	*	*		
OPTIONAL	N°	L(mm)	NOTE		
M0270	4	*			
*	*	*			
*	*	*			
*	*	*			



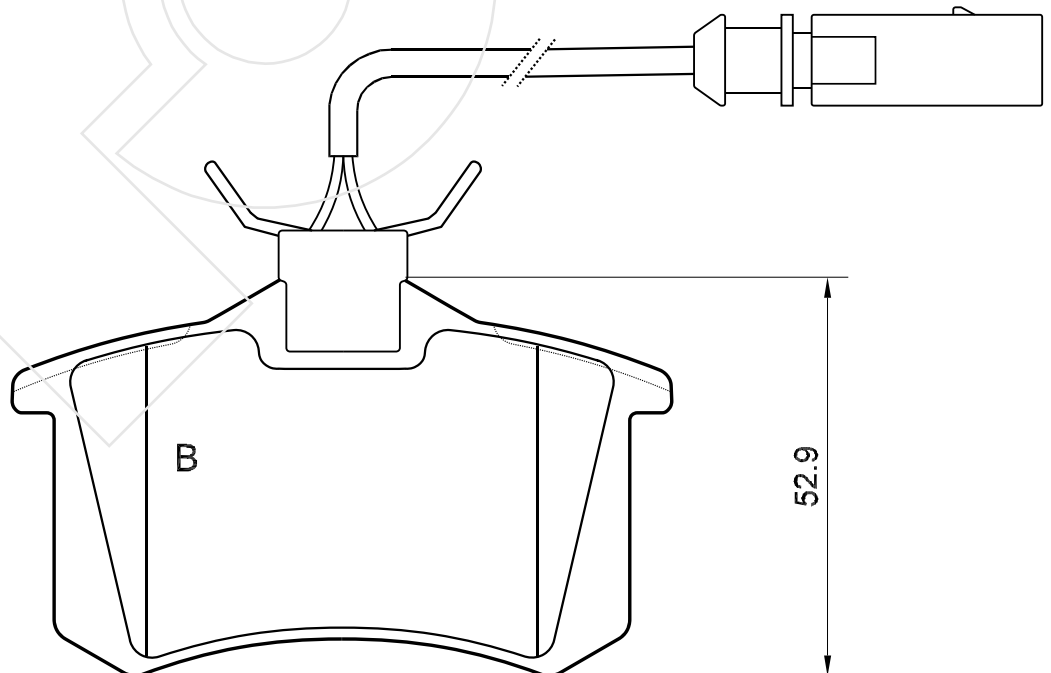
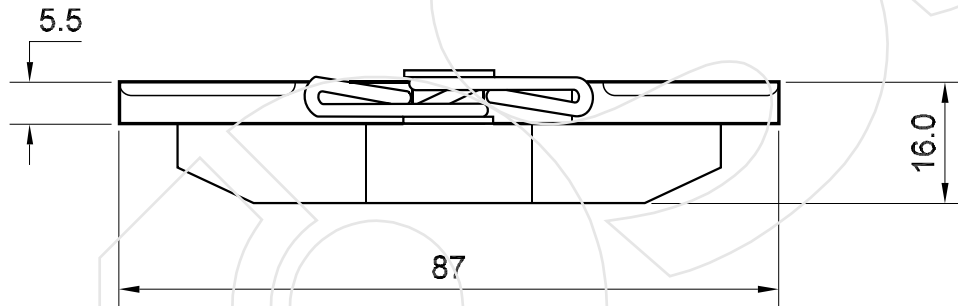
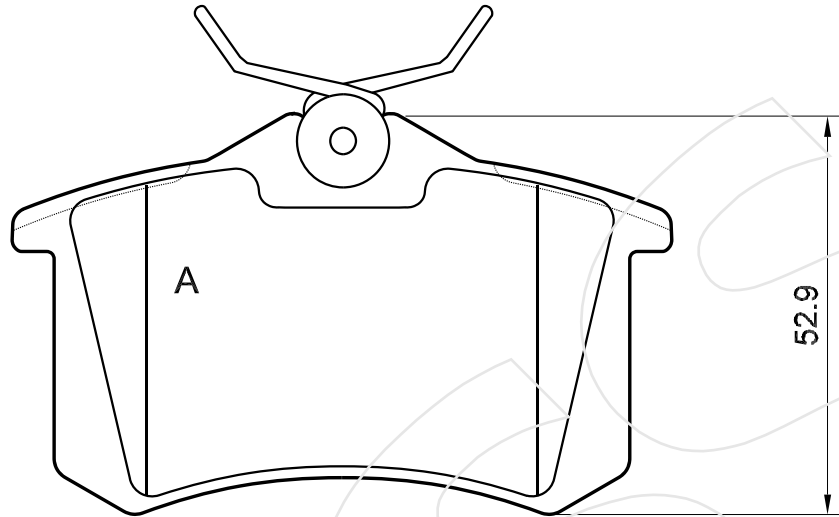
Reference in this Catalogue to other manufactures and to part numbers and other descriptions are for identification purposes only, because the above DISC BRAKE PADS are NOT ORIGINAL but with these interchangeable.

CODICE	IMPIANTO		ASSE	SCALA	APPLICAZIONI
<b>R-1005</b>	GIRLING		POSTERIORE	100%	VOLKSWAGEN
CODICE COMPONENTI	N°	L(mm)	SERIE		
M0015	3	*	3 PEZZI TIPO A		
M0015+F3132	1+1	260	1 PEZZO TIPO B		
*	*	*	*		
*	*	*	*		
OPTIONAL	N°	L(mm)	NOTE		
M0270	4	*			
*	*	*			
*	*	*			
*	*	*			



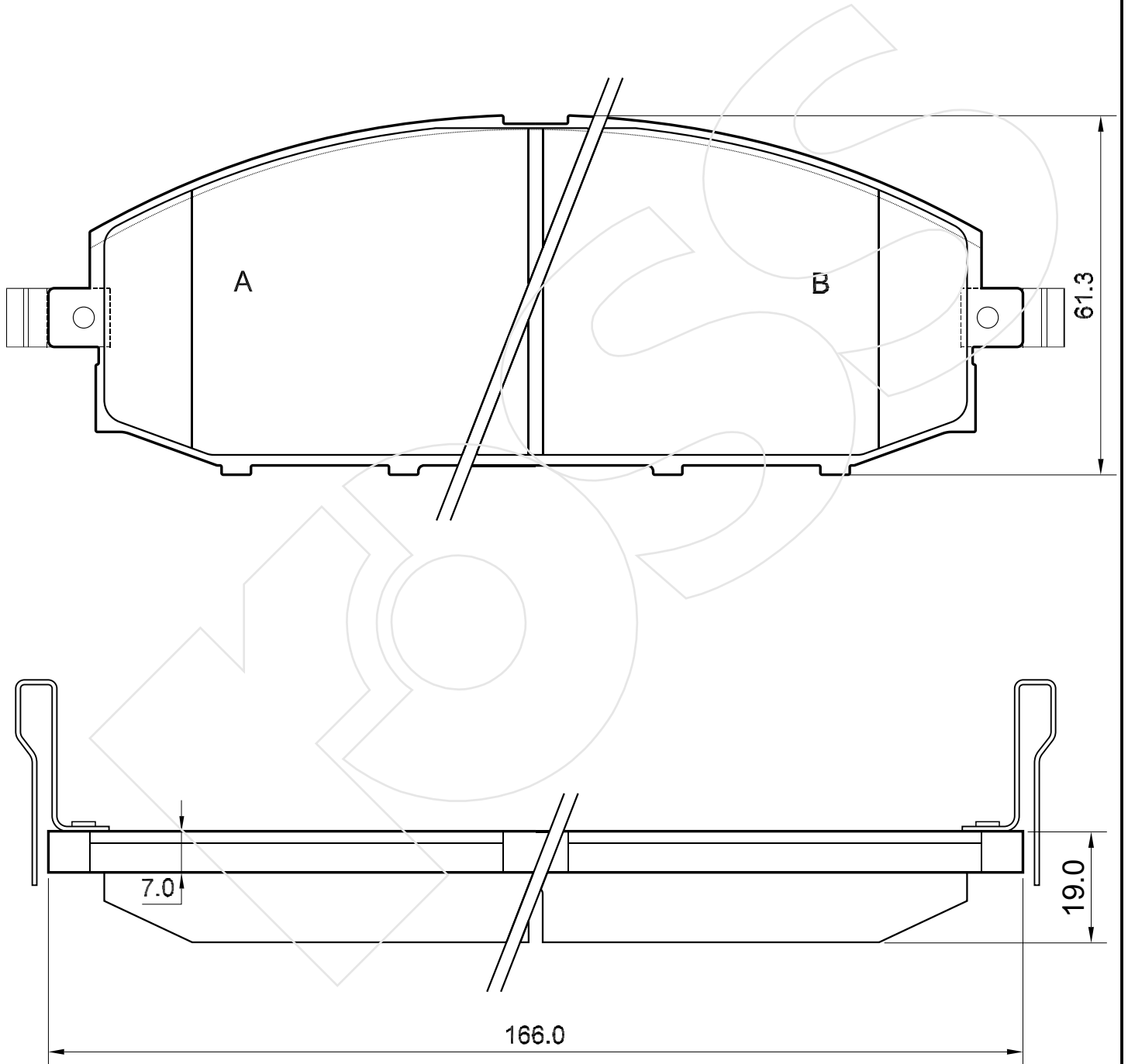
Reference in this Catalogue to other manufactures and to part numbers and other descriptions are for identification purposes only, because the above DISC BRAKE PADS are NOT ORIGINAL but with these interchangeable.

CODICE	IMPIANTO		ASSE	SCALA	APPLICAZIONI
<b>R-1006</b>	GIRLING		POSTERIORE	100%	AUDI
CODICE COMPONENTI	N°	L(mm)	SERIE		
M0015	2	*	2 PEZZI TIPO A		
M0015+F3134	2+2	340	2 PEZZO TIPO B		
*	*	*	*		
*	*	*	*		
CODICE ACCESSORI	N°	L(mm)	NOTE		
*	*	*			
*	*	*			
*	*	*			
*	*	*			



Reference in this Catalogue to other manufactures and to part numbers and other descriptions are for identification purposes only, because the above DISC BRAKE PADS are NOT ORIGINAL but with these interchangeable.

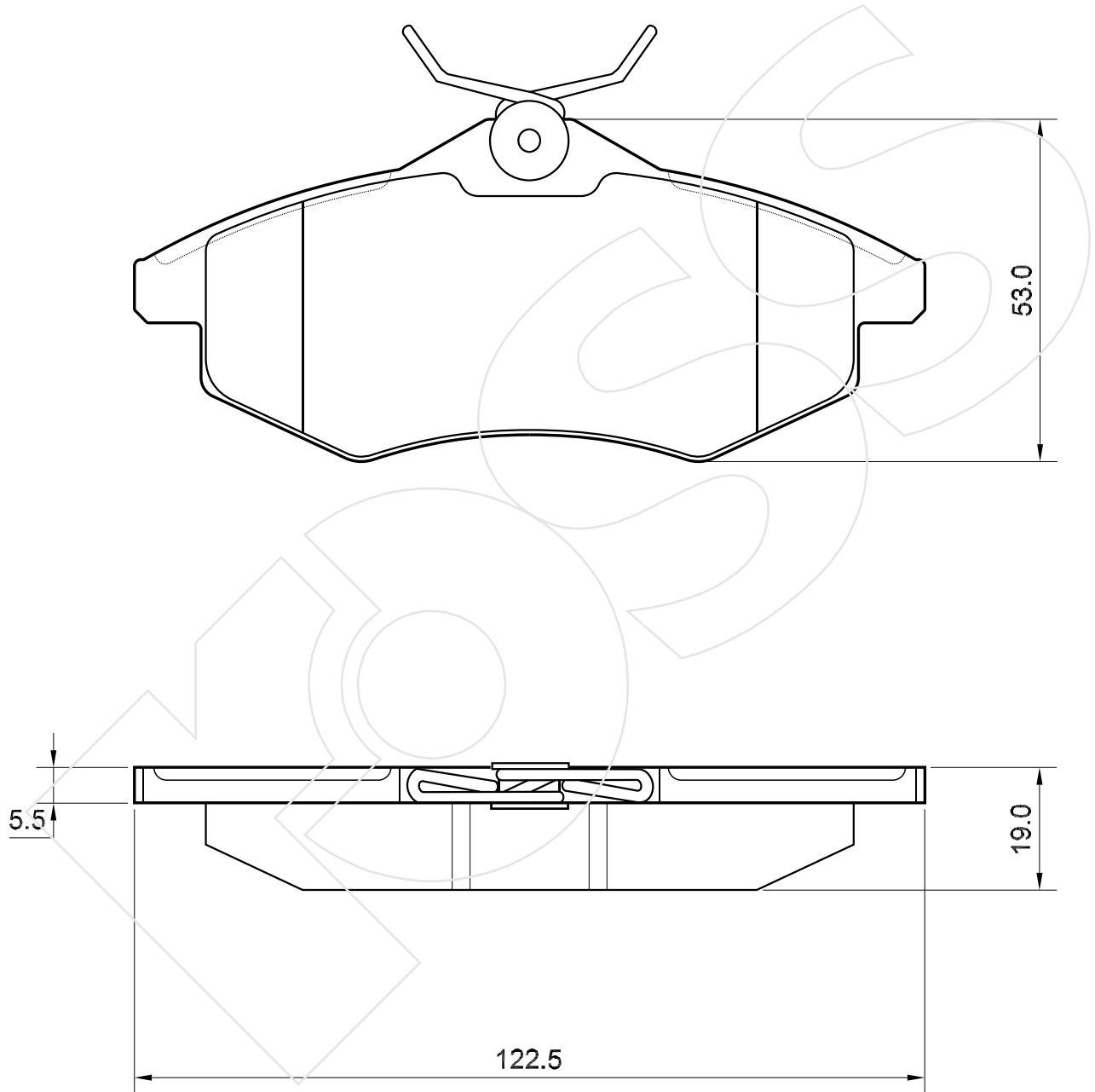
CODICE	IMPIANTO	ASSE	SCALA	APPLICAZIONI
<b>R-1007</b>	AKEBONO	ANTERIORE	100%	NISSAN
CODICE COMPONENTI	N°	L(mm)	SERIE	
M0051	2	*	2 PEZZI TIPO A	
M0051	2	*	2 PEZZO TIPO B	
*	*	*	*	
*	*	*	*	
CODICE ACCESSORI	N°	L(mm)	NOTE	
*	*	*		
*	*	*		
*	*	*		
*	*	*		



Reference in this Catalogue to other manufactures and to part numbers and other descriptions are for identification purposes only, because the above DISC BRAKE PADS are NOT ORIGINAL but with these interchangeable.

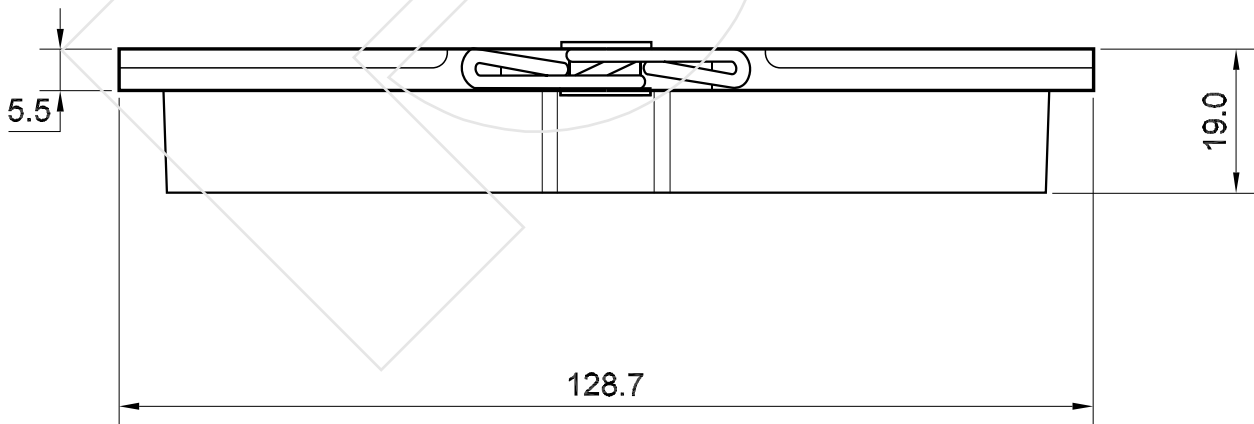
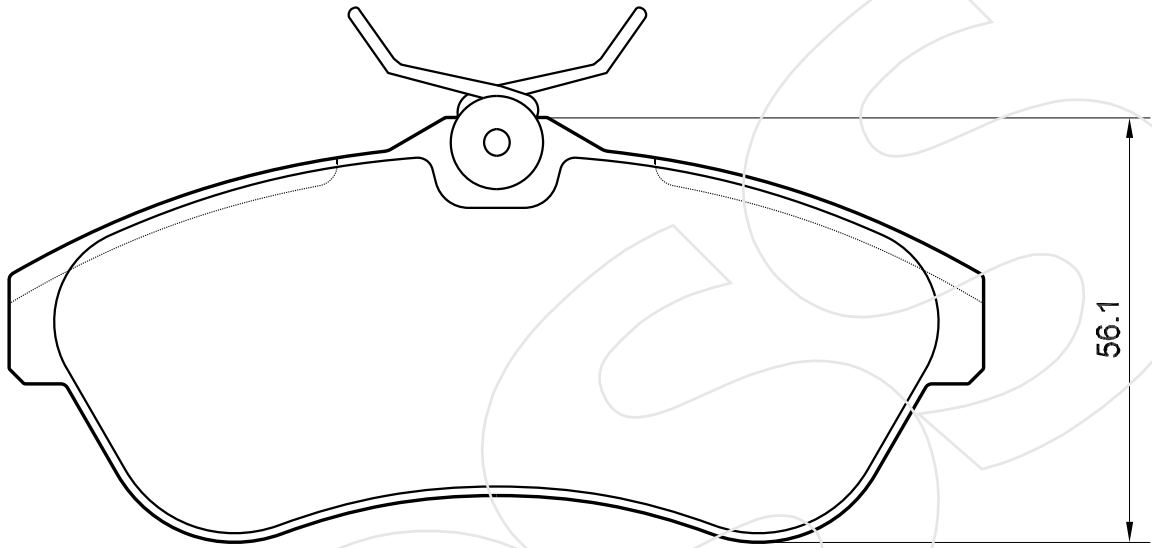


CODICE	IMPIANTO		ASSE	SCALA	APPLICAZIONI
<b>R-1008</b>	GIRLING		ANTERIORE	100%	CITROEN
CODICE COMPONENTI	N°	L(mm)	SERIE		
M0015	4	*	4 PEZZI		
*	*	*	*		
*	*	*	*		
*	*	*	*		
CODICE ACCESSORI	N°	L(mm)	NOTE		
*	*	*			
*	*	*			
*	*	*			
*	*	*			



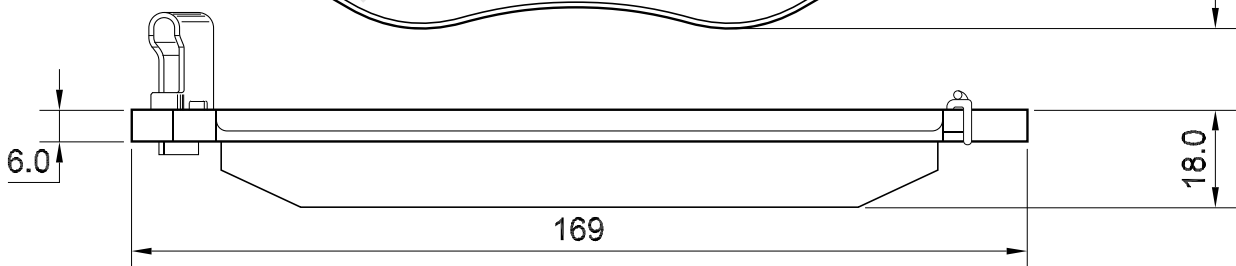
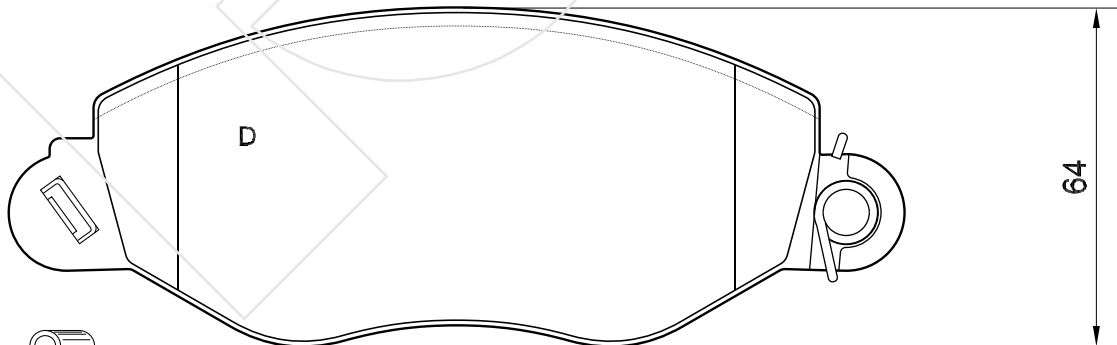
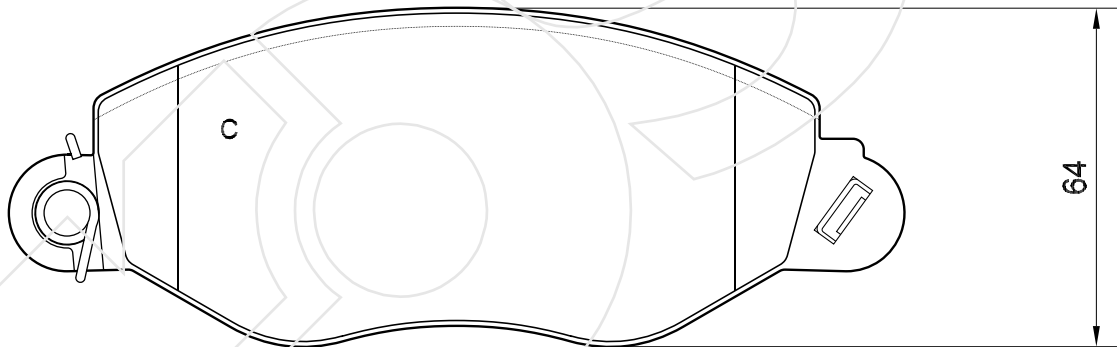
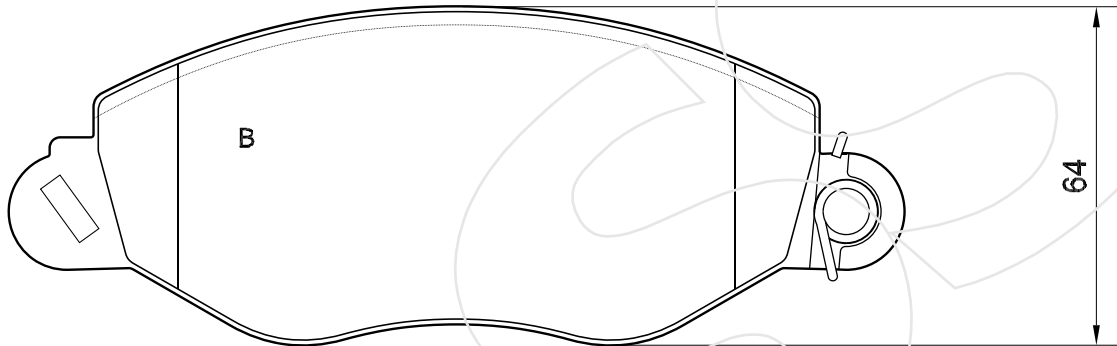
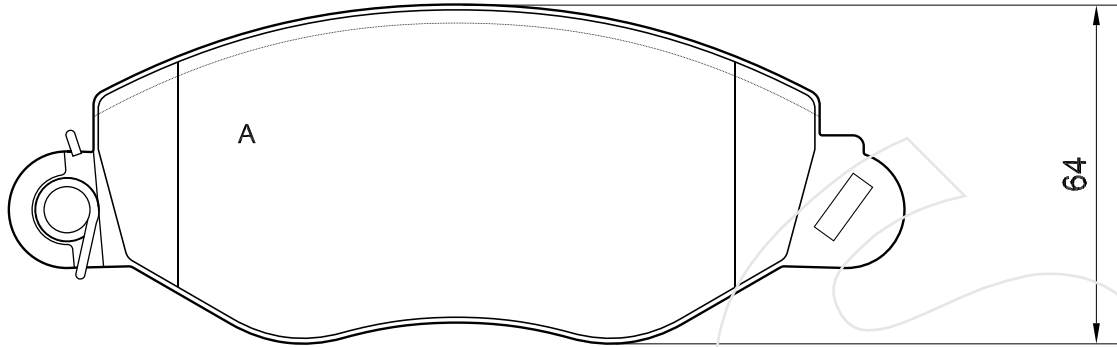
Reference in this Catalogue to other manufactures and to part numbers and other descriptions are for identification purposes only, because the above DISC BRAKE PADS are NOT ORIGINAL but with these interchangeable.

CODICE	IMPIANTO		ASSE	SCALA	APPLICAZIONI
<b>R-1009</b>	GIRLING		ANTERIORE	100%	CITROEN
CODICE COMPONENTI	N°	L(mm)	SERIE		
M0015	4	*	4 PEZZI		
*	*	*	*		
*	*	*	*		
*	*	*	*		
CODICE ACCESSORI	N°	L(mm)	NOTE		
*	*	*			
*	*	*			
*	*	*			
*	*	*			



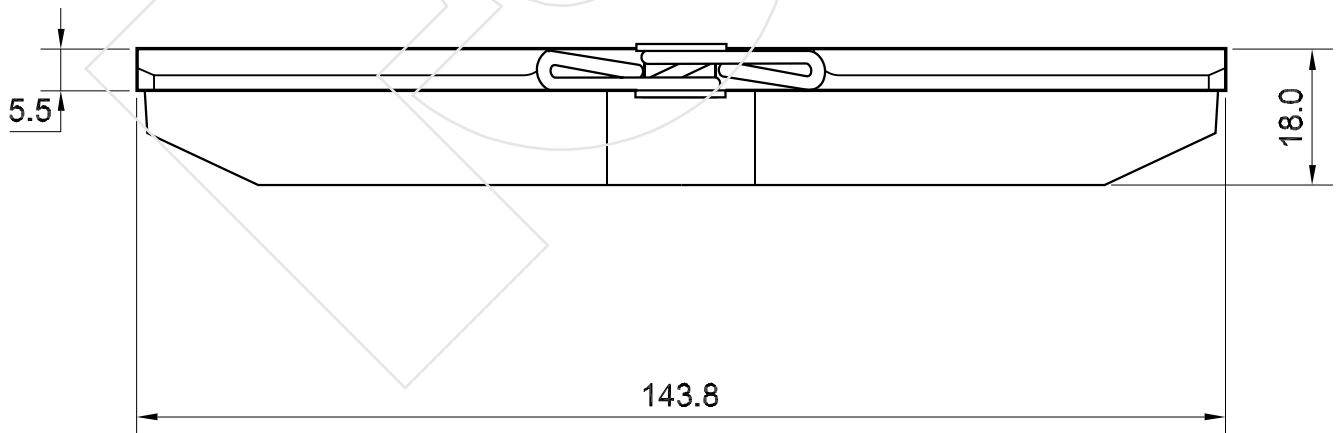
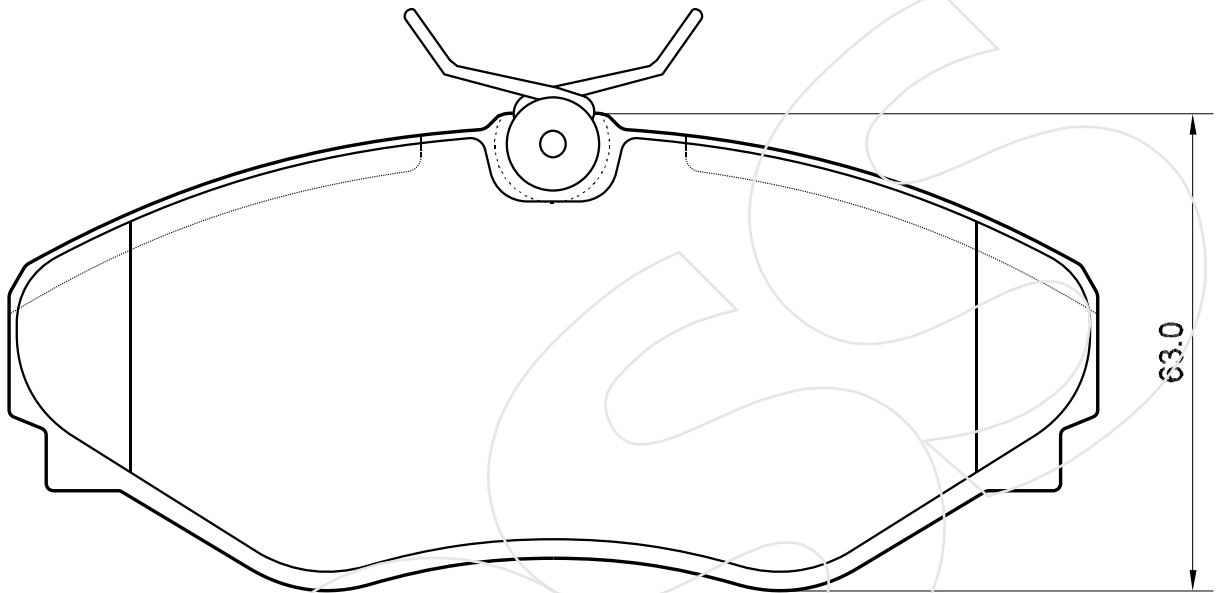
Reference in this Catalogue to other manufactures and to part numbers and other descriptions are for identification purposes only, because the above DISC BRAKE PADS are NOT ORIGINAL but with these interchangeable.

CODICE	IMPIANTO		ASSE	SCALA	APPLICAZIONI
<b>R-1010</b>	BOSCH		ANTERIORE	70%	FORD
CODICE COMPONENTI	N°	L(mm)	SERIE		
M0204	1	*	1 PEZZO TIPO A		
M0204	1	*	1 PEZZO TIPO B		
M0204+M0273	1+1	*	1 PEZZO TIPO C		
M0204+M0273	1+1	*	1 PEZZO TIPO D		
CODICE ACCESSORI	N°	L(mm)	NOTE		
*	*	*			
*	*	*			
*	*	*			
*	*	*			



Reference in this Catalogue to other manufactures and to part numbers and other descriptions are for identification purposes only, because the above DISC BRAKE PADS are NOT ORIGINAL but with these interchangeable.

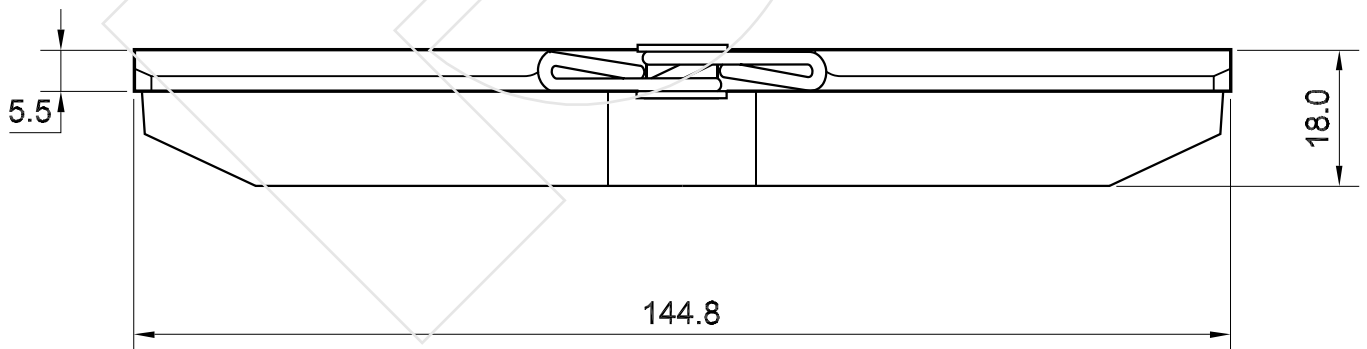
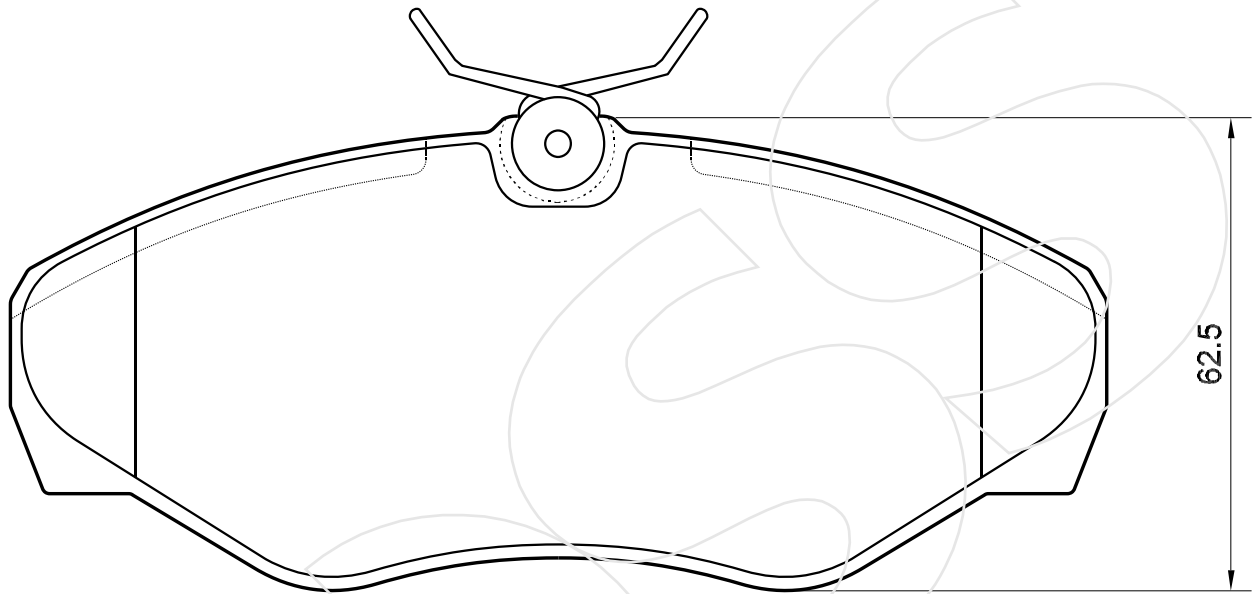
CODICE	IMPIANTO		ASSE	SCALA	APPLICAZIONI
<b>R-1011</b>	GIRLING		ANTERIORE	1:1	OPEL
CODICE COMPONENTI	N°	L(mm)	SERIE		
M0015	4	*	4 PEZZI		
*	*	*	*		
*	*	*	*		
*	*	*	*		
CODICE ACCESSORI	N°	L(mm)	NOTE		
*	*	*			
*	*	*			
*	*	*			
*	*	*			



Reference in this Catalogue to other manufactures and to part numbers and other descriptions are for identification purposes only, because the above DISC BRAKE PADS are NOT ORIGINAL but with these interchangeable.

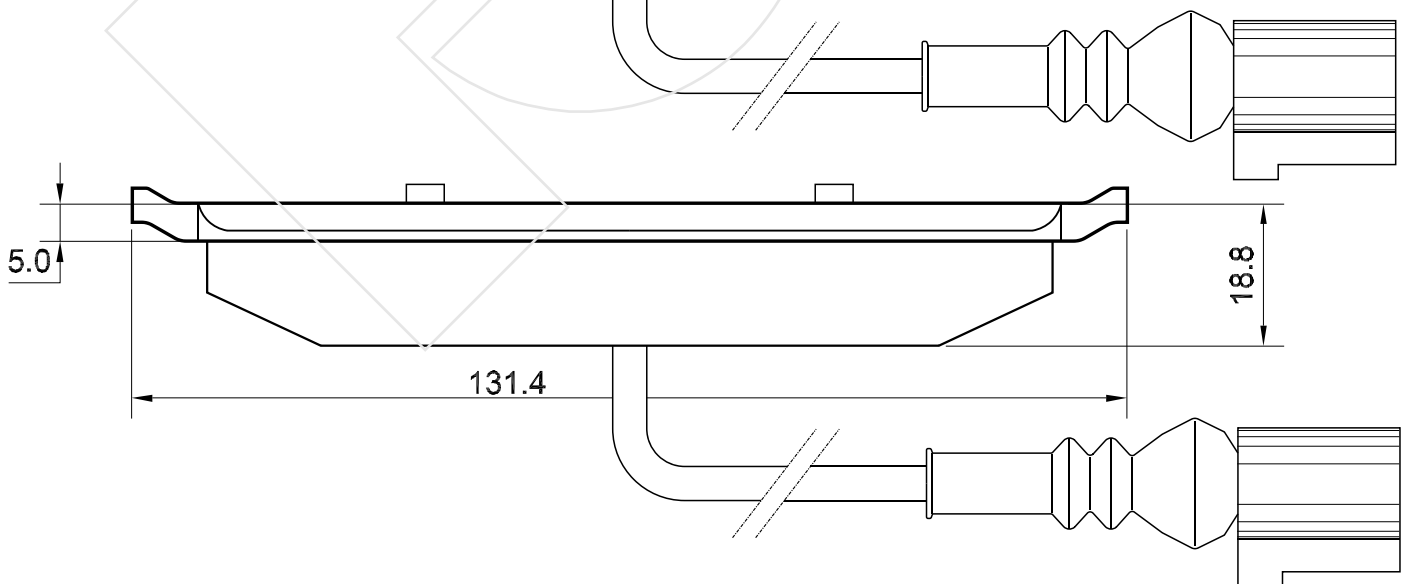
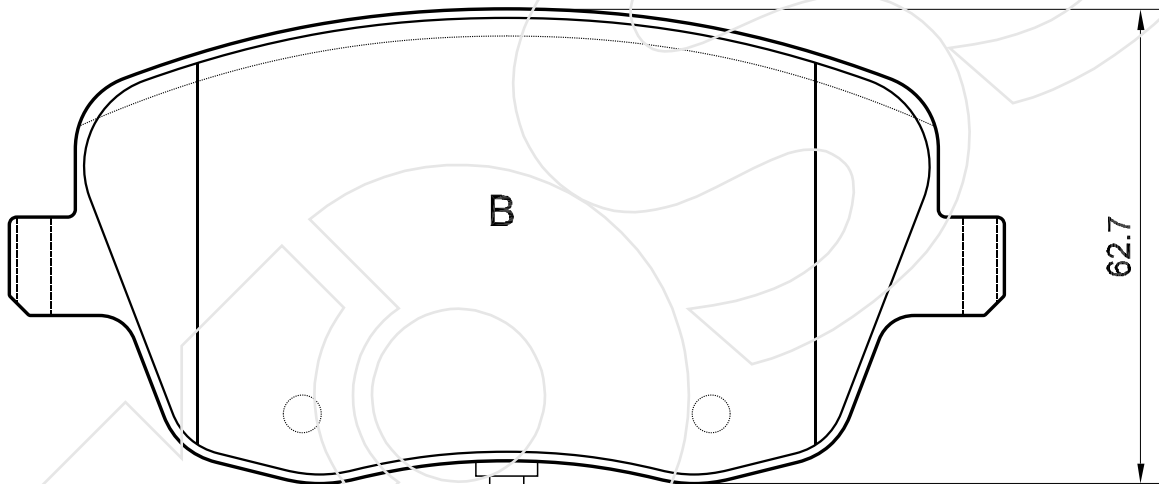
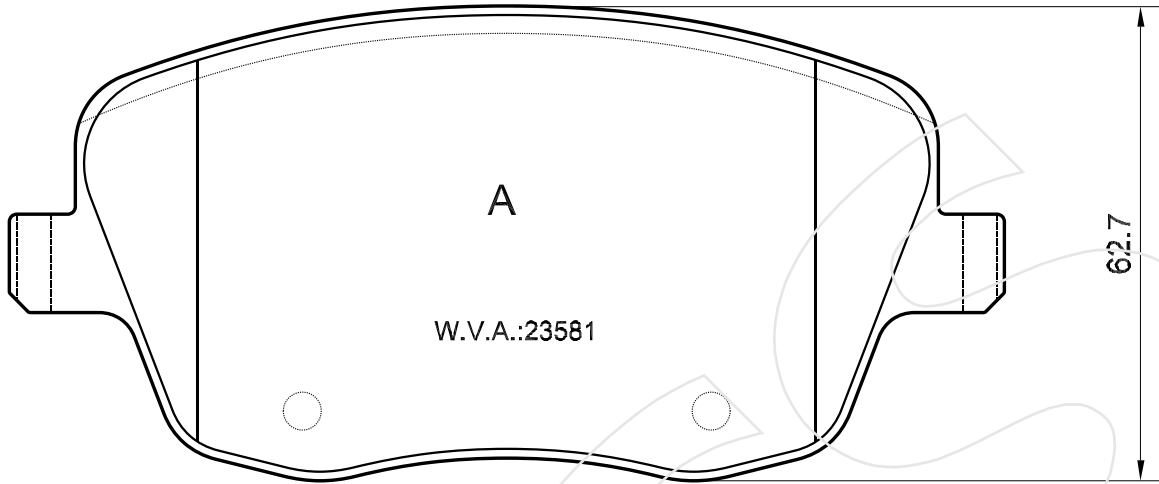
CODICE	IMPIANTO		ASSE	SCALA	APPLICAZIONI
<b>R-1012</b>	GIRLING		ANTERIORE	1:1	RENAULT
CODICE COMPONENTI	N°	L(mm)	SERIE		
M0015	4	*	4 PEZZI		
*	*	*	*		
*	*	*	*		
*	*	*	*		
CODICE ACCESSORI	N°	L(mm)	NOTE		
*	*	*	*		
*	*	*	*		
*	*	*	*		
*	*	*	*		

OPEL



Reference in this Catalogue to other manufactures and to part numbers and other descriptions are for identification purposes only, because the above DISC BRAKE PADS are NOT ORIGINAL but with these interchangeable.

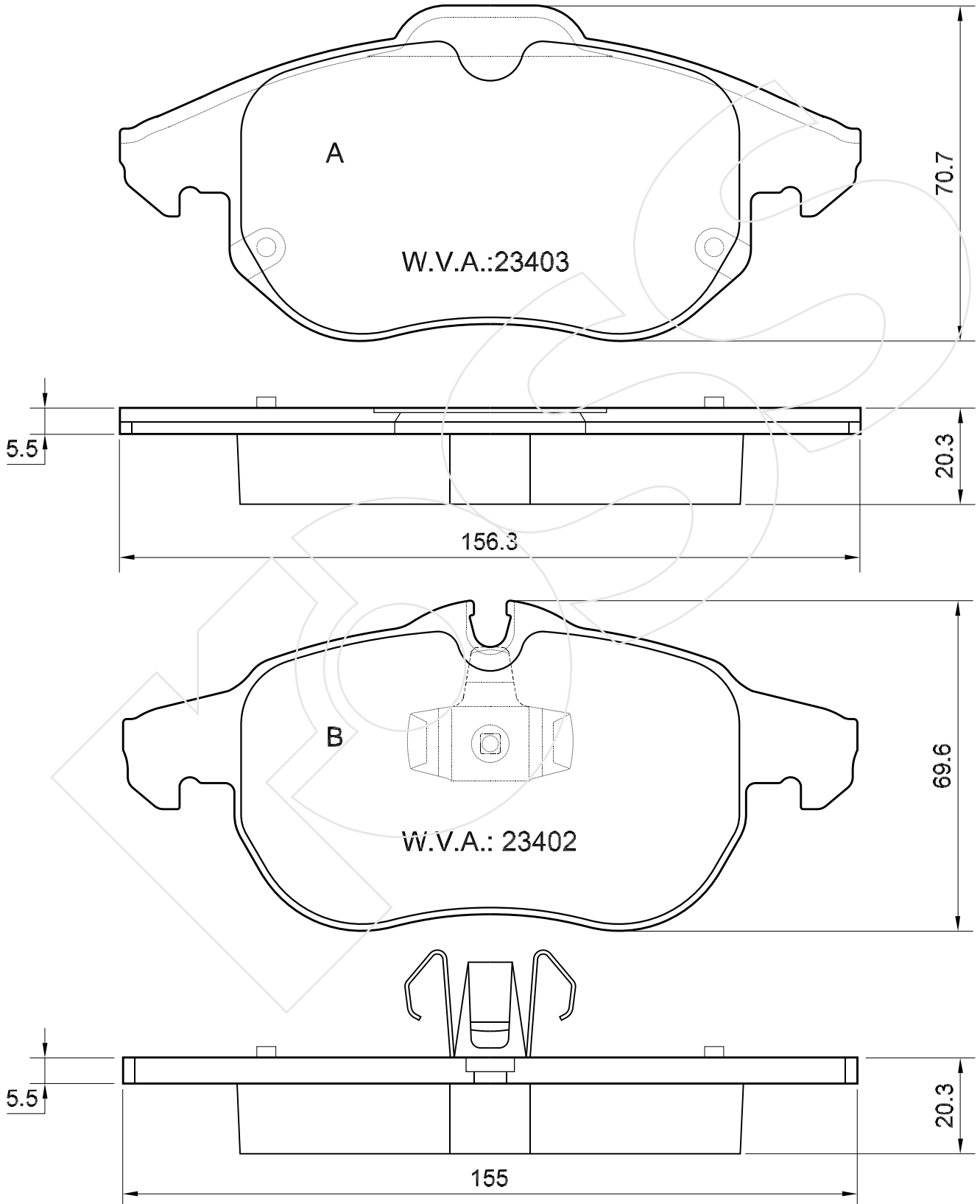
CODICE	IMPIANTO		ASSE	SCALA	APPLICAZIONI
<b>R-1013</b>	GIRLING		ANTERIORE	1:1	SKODA
CODICE COMPONENTI	N°	L(mm)	SERIE		
*	*	*	3 PEZZI TIPO A		
F3135	1	180	1 PEZZO TIPO B		
*	*	*	*		
*	*	*	*		
CODICE ACCESSORI	N°	L(mm)	NOTE		
*	*	*			
*	*	*			
*	*	*			
*	*	*			



Reference in this Catalogue to other manufactures and to part numbers and other descriptions are for identification purposes only, because the above DISC BRAKE PADS are NOT ORIGINAL but with these interchangeable.

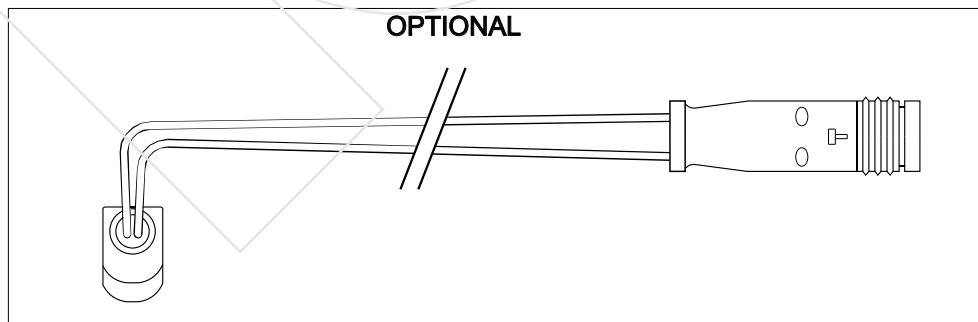
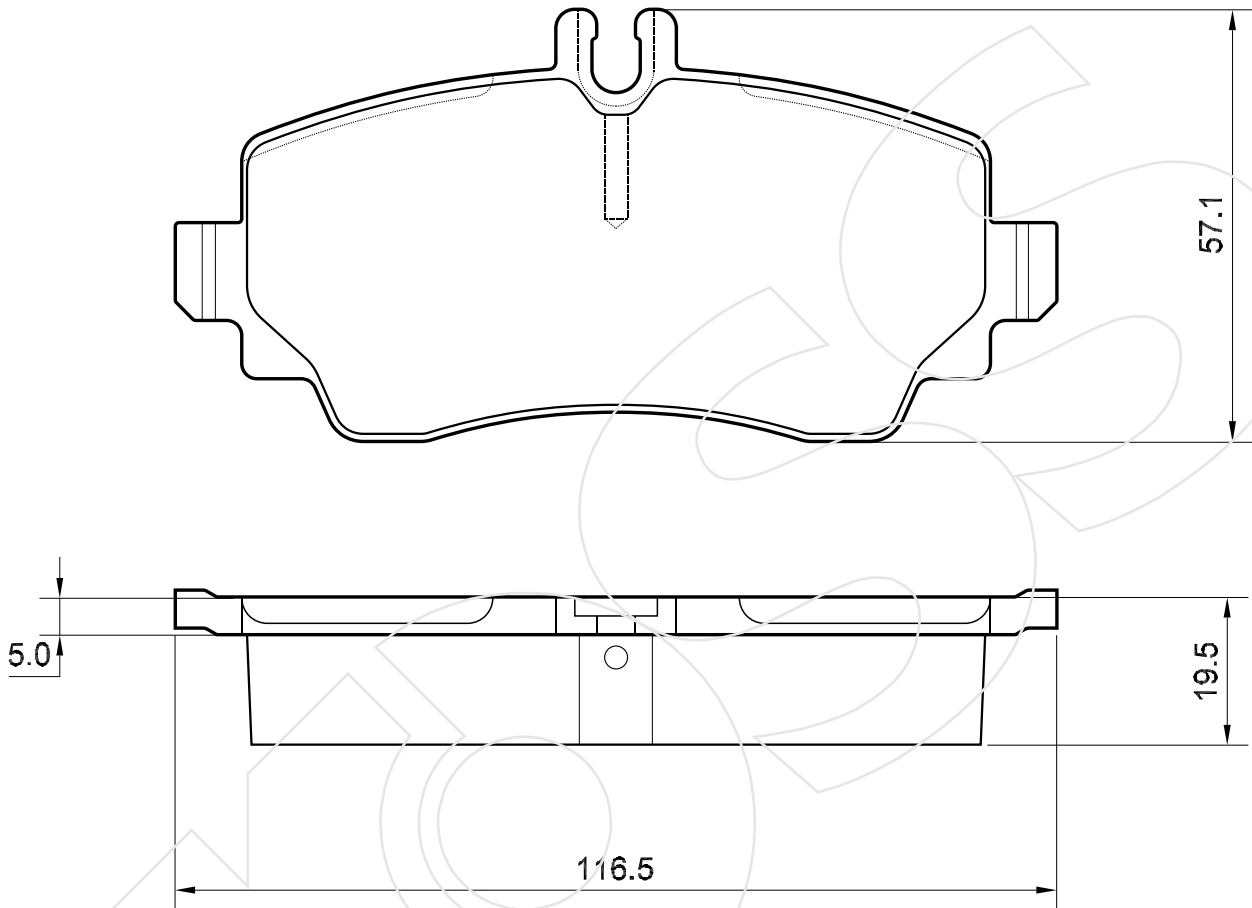
CODICE	IMPIANTO		ASSE	SCALA	APPLICAZIONI
<b>R-1014</b>	ATE		ANTERIORE	1:1	OPEL
CODICE COMPONENTI	N°	L(mm)	SERIE		
*	*	*	2 PEZZI TIPO A		
M0200	2	*	2 PEZZI TIPO B		
*	*	*	*		
*	*	*	*		
CODICE ACCESSORI	N°	L(mm)	NOTE		
*	*	*			
*	*	*			
*	*	*			
*	*	*			
*	*	*			

SAAB



Reference in this Catalogue to other manufactures and to part numbers and other descriptions are for identification purposes only, because the above DISC BRAKE PADS are NOT ORIGINAL but with these interchangeable.

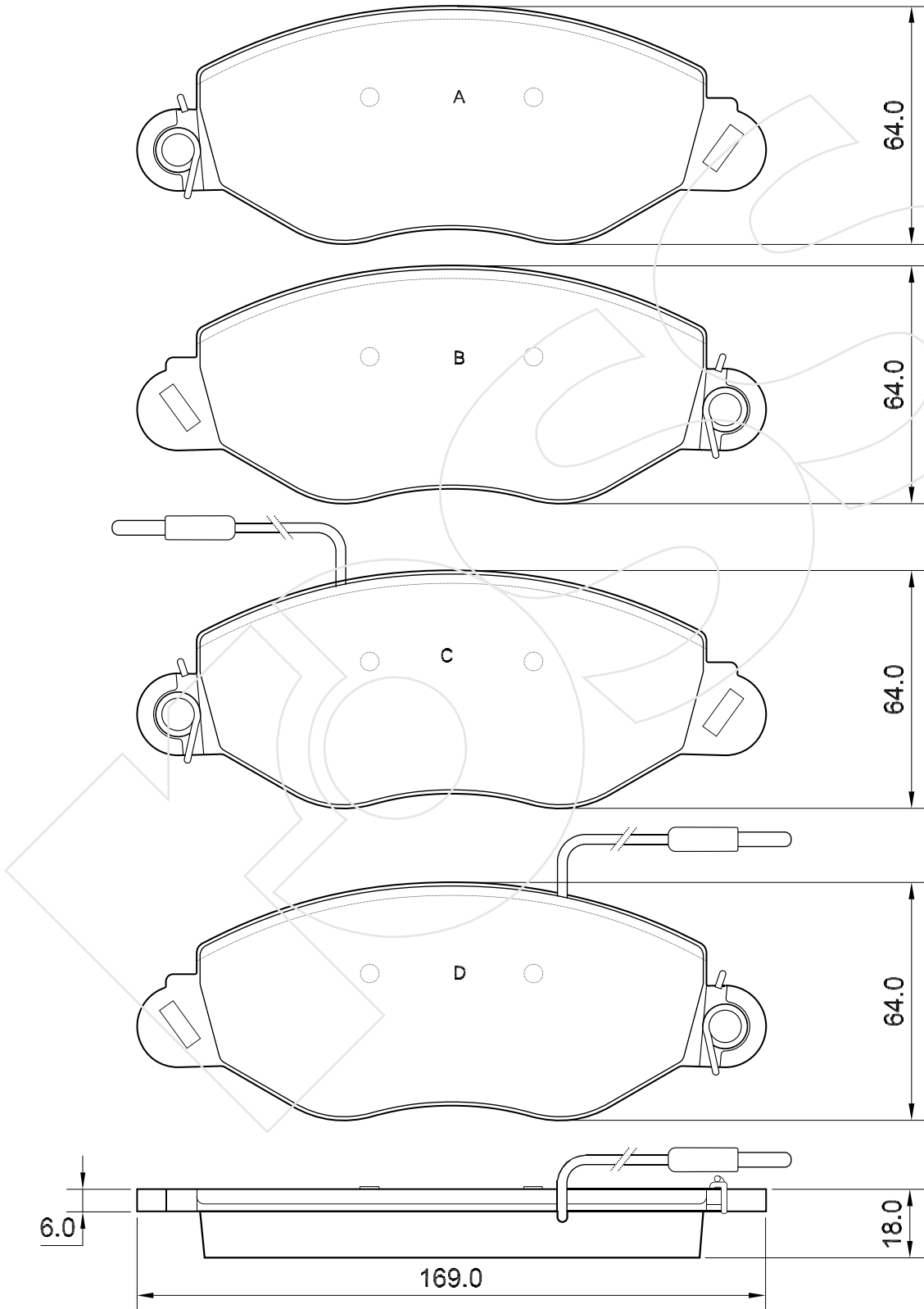
CODICE	IMPIANTO		ASSE	SCALA	APPLICAZIONI
<b>R-1015</b>	GIRLING		ANTERIORE	1:1	MERCEDES
CODICE COMPONENTI	N°	L(mm)	SERIE		
*	*	*	4 PEZZI		
*	*	*	*		
*	*	*	*		
*	*	*	*		
OPTIONAL	N°	L(mm)	NOTE		
F3136	1	100			
*	*	*			
*	*	*			
*	*	*			



Reference in this Catalogue to other manufactures and to part numbers and other descriptions are for identification purposes only, because the above DISC BRAKE PADS are NOT ORIGINAL but with these interchangeable.

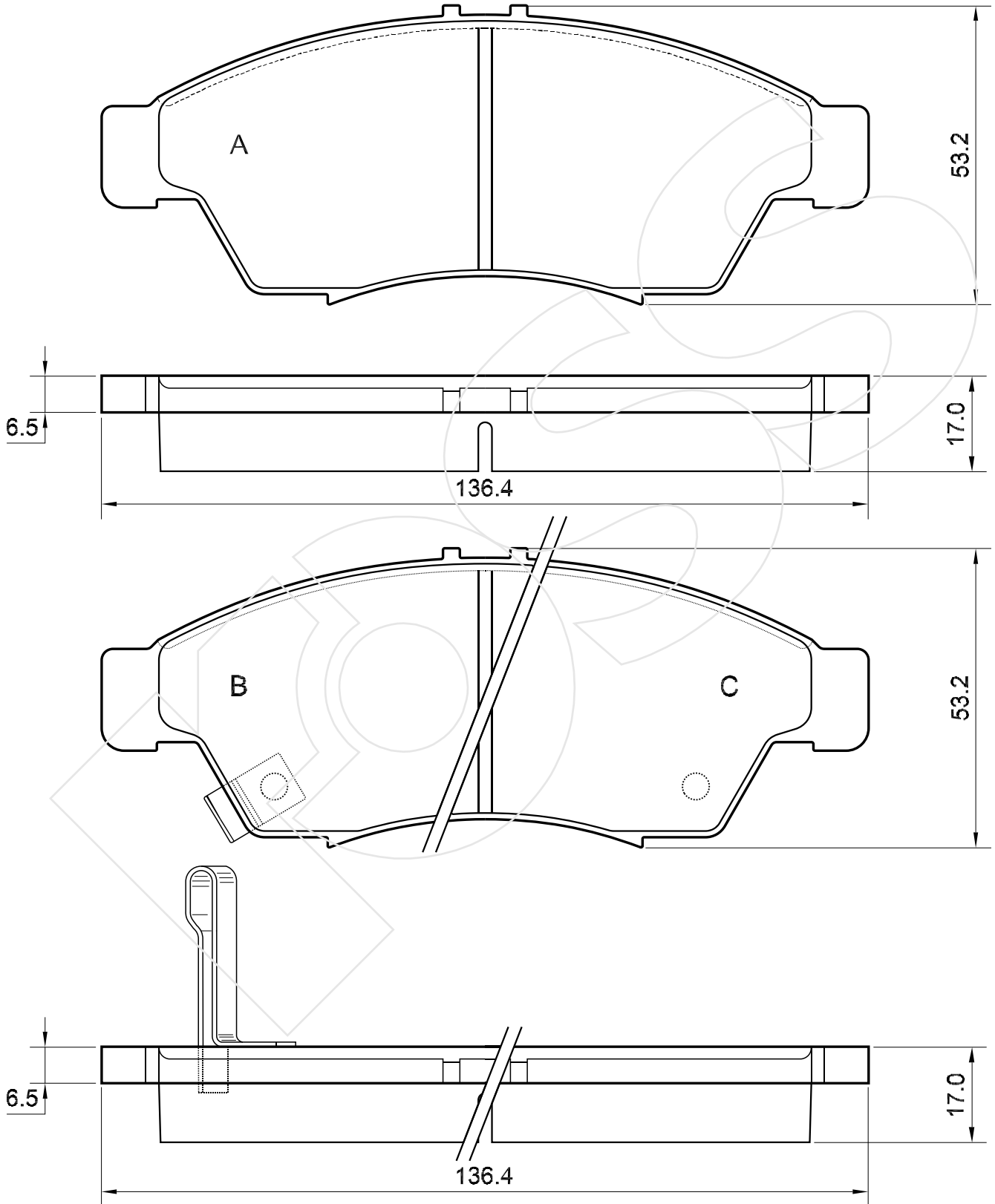


CODICE	IMPIANTO		ASSE	SCALA	APPLICAZIONI
<b>R-1016</b>	BOSCH		ANTERIORE	60%	NISSAN
CODICE COMPONENTI	N°	L(mm)	SERIE		
M0204	1	*	1 PEZZO TIPO A		
M0204	1	*	1 PEZZO TIPO B		
M0204+F3005	1+1	200	1 PEZZO TIPO C		
M0204+F3005	1+1	200	1 PEZZO TIPO D		
CODICE ACCESSORI	N°	L(mm)	NOTE		
*	*	*			
*	*	*			
*	*	*			
*	*	*			



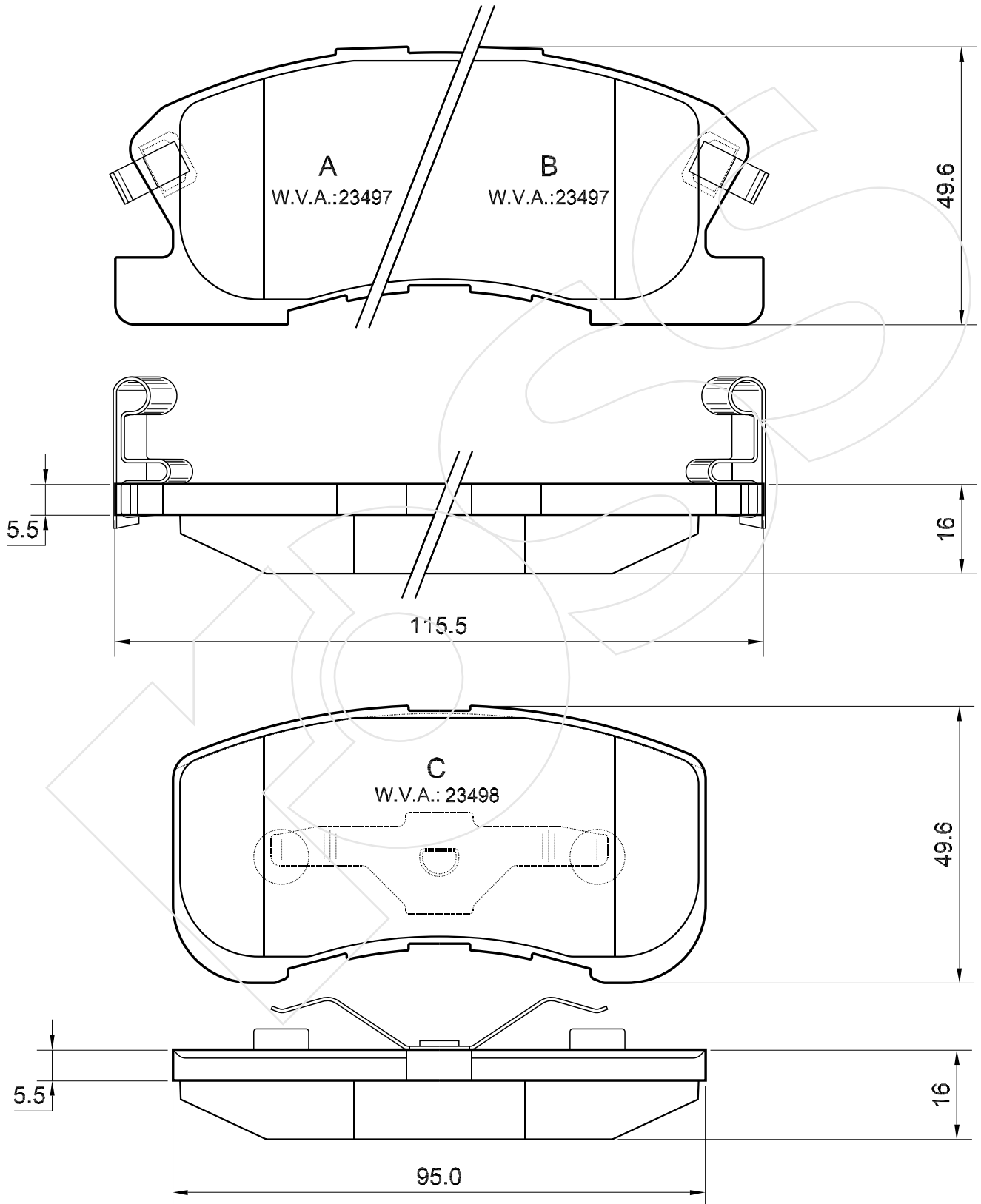
Reference in this Catalogue to other manufactures and to part numbers and other descriptions are for identification purposes only, because the above DISC BRAKE PADS are NOT ORIGINAL but with these interchangeable.

CODICE	IMPIANTO		ASSE	SCALA	APPLICAZIONI
<b>R-1017</b>	AKEBONO		ANTERIORE	100%	SUZUKI
CODICE COMPONENTI	N°	L(mm)	SERIE		
*	*	*	2 PEZZI TIPO A		
M0092	1	*	1 PEZZO TIPO B		
*	*	*	1 PEZZO TIPO C		
*	*	*	*		
CODICE ACCESSORI	N°	L(mm)	NOTE		
*	*	*			
*	*	*			
*	*	*			
*	*	*			



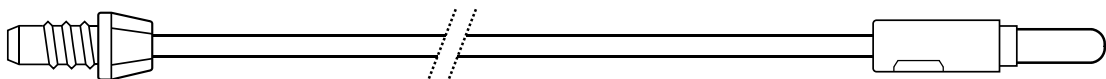
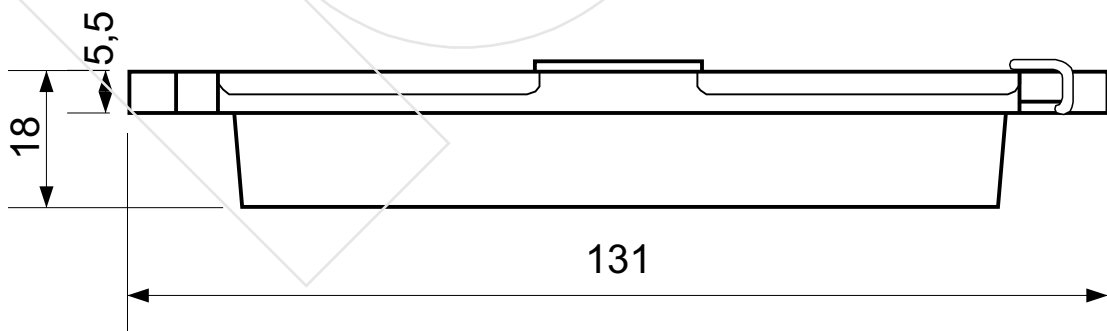
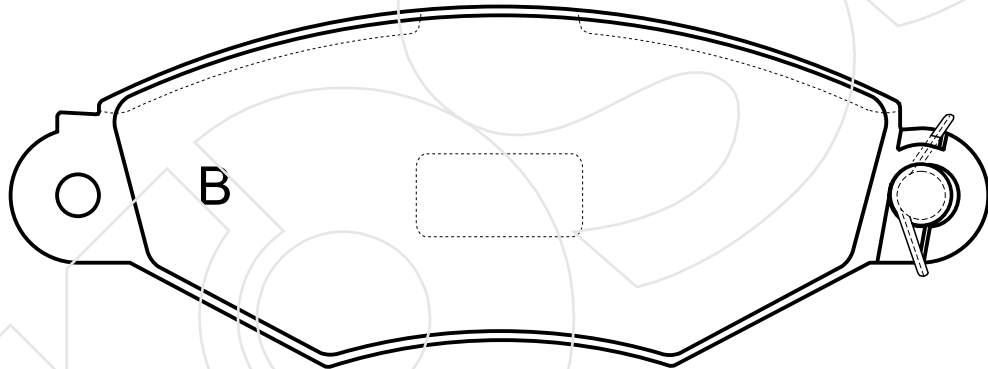
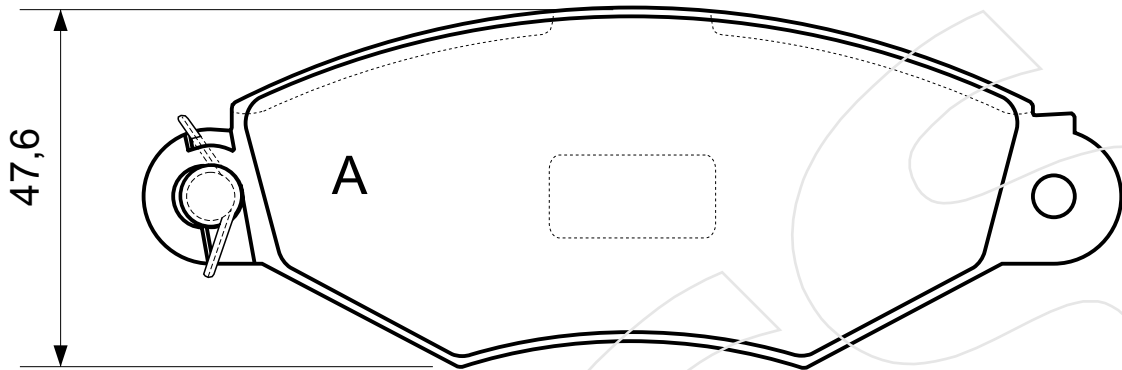
Reference in this Catalogue to other manufactures and to part numbers and other descriptions are for identification purposes only, because the above DISC BRAKE PADS are NOT ORIGINAL but with these interchangeable.

CODICE	IMPIANTO		ASSE	SCALA	APPLICAZIONI
<b>R-1018</b>	AKEBONO		ANTERIORE	100%	DAIHATSU
CODICE COMPONENTI	N°	L(mm)	SERIE		
M0251	1	*	1 PEZZO TIPO A		
M0251	1	*	1 PEZZO TIPO B		
M0072	2	*	2 PEZZI TIPO C		
*	*	*	*		
CODICE ACCESSORI	N°	L(mm)	NOTE		
*	*	*			
*	*	*			
*	*	*			
*	*	*			



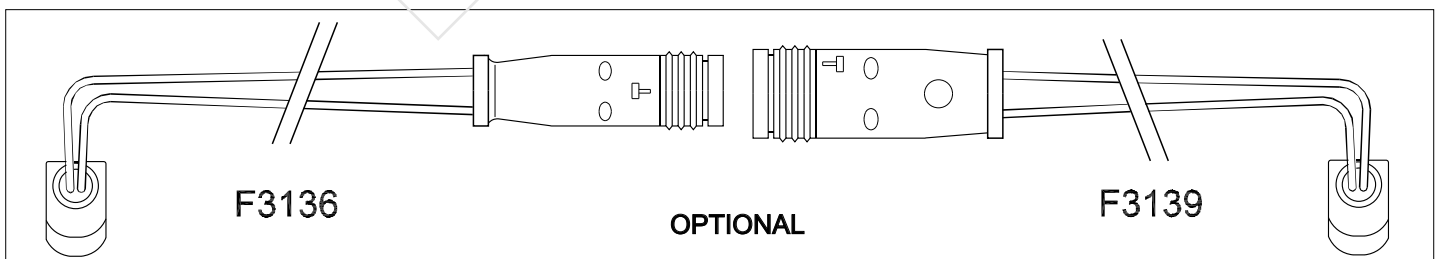
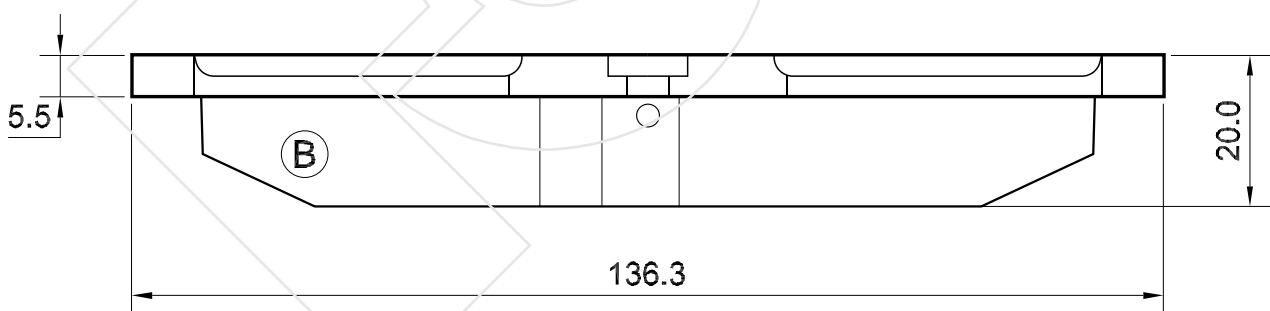
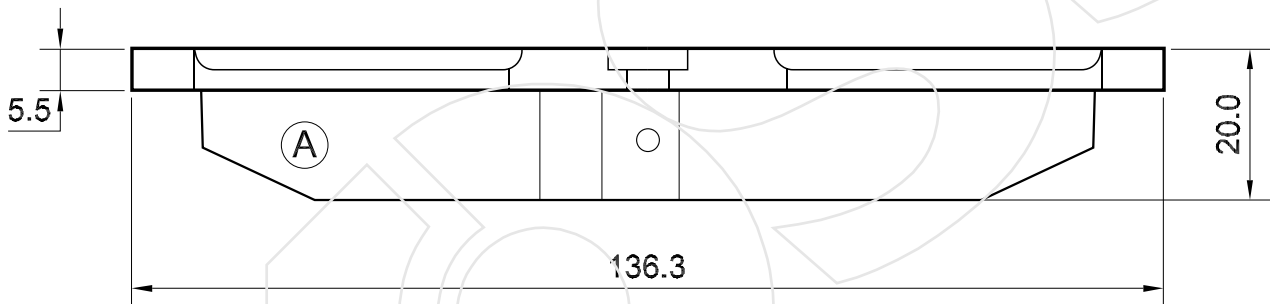
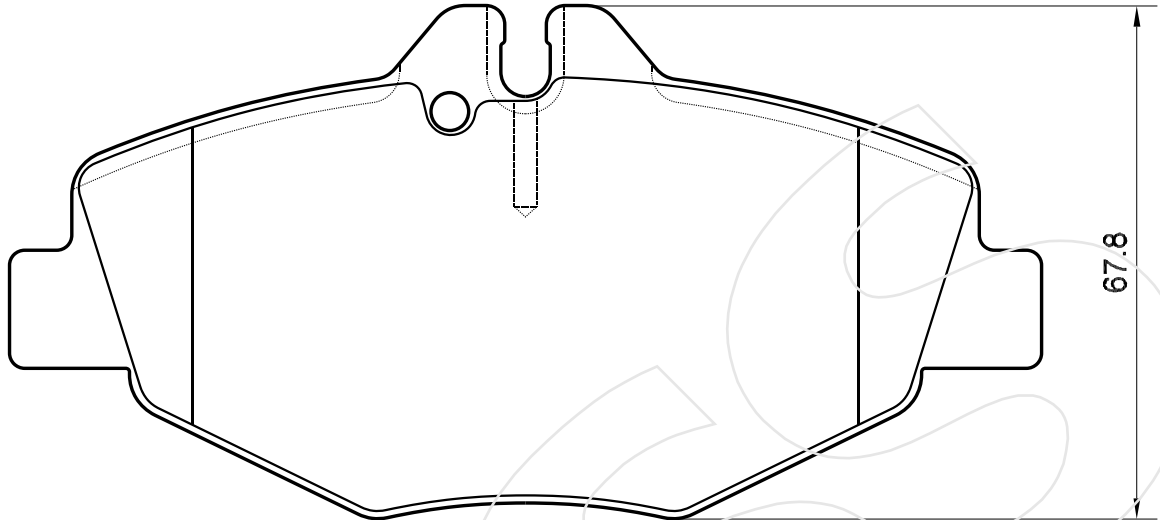
Reference in this Catalogue to other manufactures and to part numbers and other descriptions are for identification purposes only, because the above DISC BRAKE PADS are NOT ORIGINAL but with these interchangeable.

CODICE	IMPIANTO		ASSE	SCALA	APPLICAZIONI
<b>R-1019</b>	BOSCH		ANTERIORE	1:1	RENAULT PEUGEOT
CODICE COMPONENTI	N°	L(mm)	SERIE		
M0148	2		2 PEZZI TIPO A		
M0148	2		2 PEZZI TIPO B		
F3117	1	170	*		
CODICE ACCESSORI	N°	L(mm)	NOTE		
*	*		*		
*	*				
*	*				
*	*				



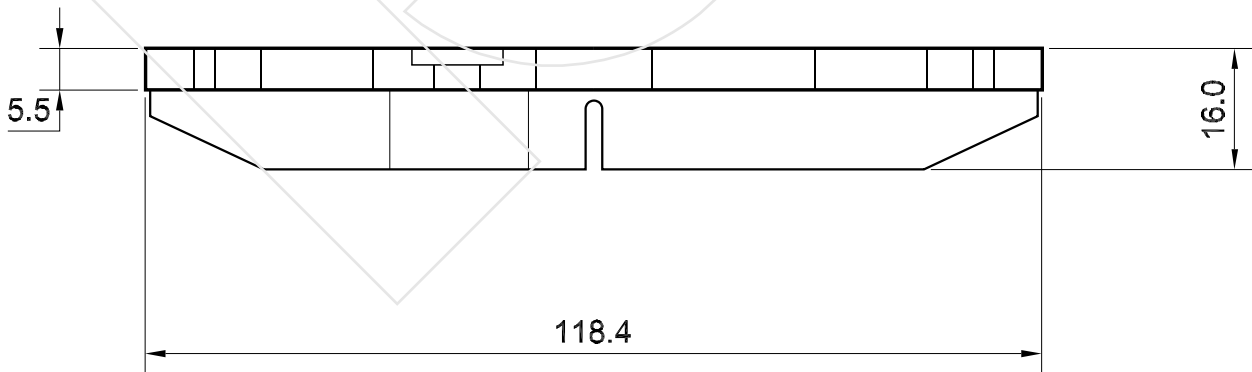
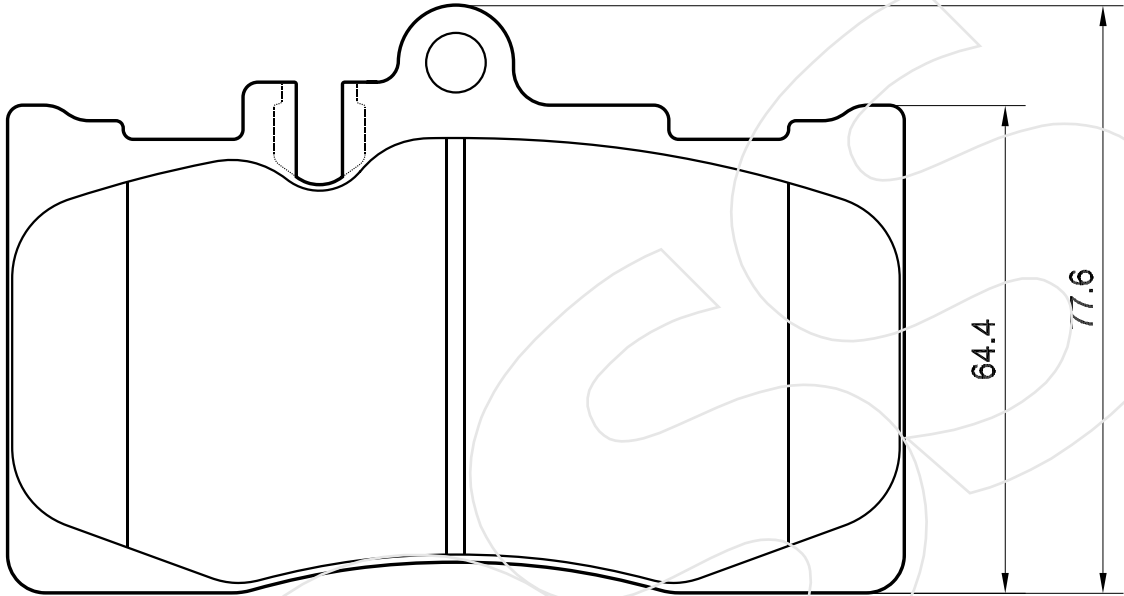
Reference in this Catalogue to other manufactures and to part numbers and other descriptions are for identification purposes only, because the above DISC BRAKE PADS are NOT ORIGINAL but with these interchangeable.

CODICE	IMPIANTO		ASSE	SCALA	APPLICAZIONI
<b>R-1020</b>	BOSCH		ANTERIORE	100%	MERCEDES
CODICE COMPONENTI	N°	L(mm)	SERIE		
*	*	*	2 PEZZI TIPO A		
*	*	*	2 PEZZI TIPO B		
*	*	*	*		
*	*	*	*		
OPTIONAL	N°	L(mm)	NOTE		
F3136	1	100			
F3139	1	100			
*	*	*			
*	*	*			



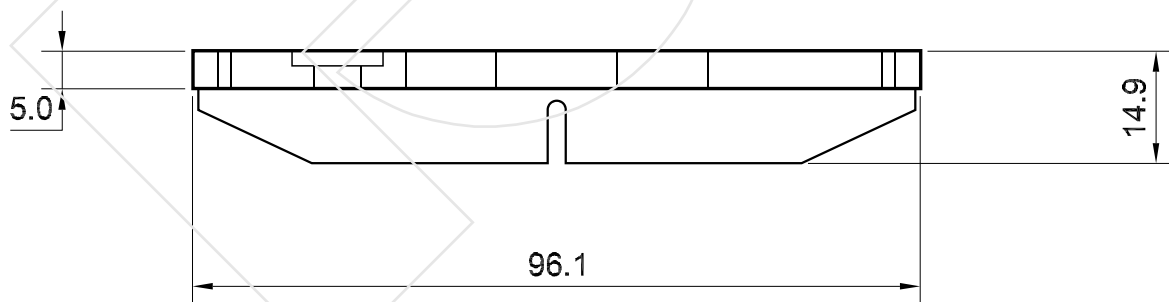
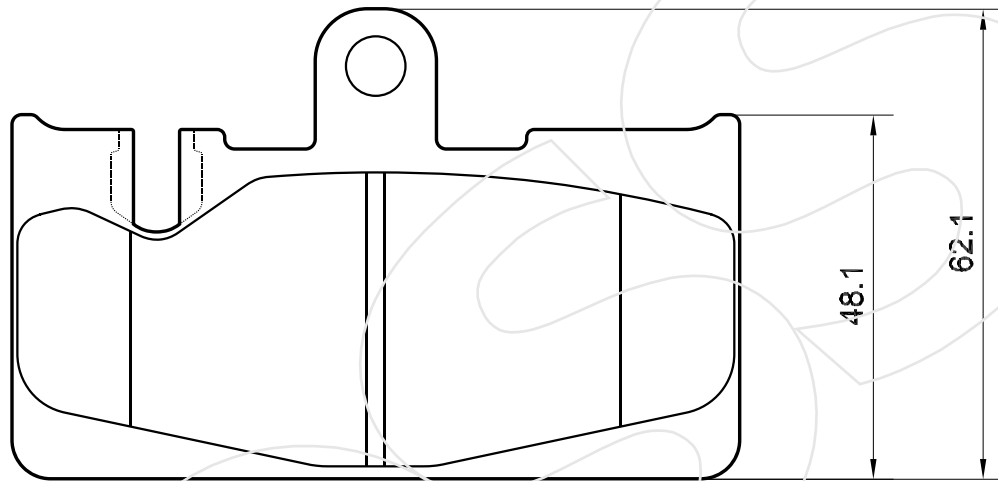
Reference in this Catalogue to other manufactures and to part numbers and other descriptions are for identification purposes only, because the above DISC BRAKE PADS are NOT ORIGINAL but with these interchangeable.

CODICE	IMPIANTO	ASSE	SCALA	APPLICAZIONI
<b>R-1021</b>	SUMITOMO	ANTERIORE	100%	LEXUS
CODICE COMPONENTI	N°	L(mm)	SERIE	
*	*	*	4 PEZZI	
*	*	*	*	
*	*	*	*	
*	*	*	*	
CODICE ACCESSORI	N°	L(mm)	NOTE	
*	*	*		
*	*	*		
*	*	*		
*	*	*		



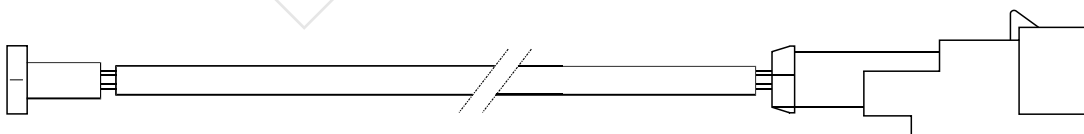
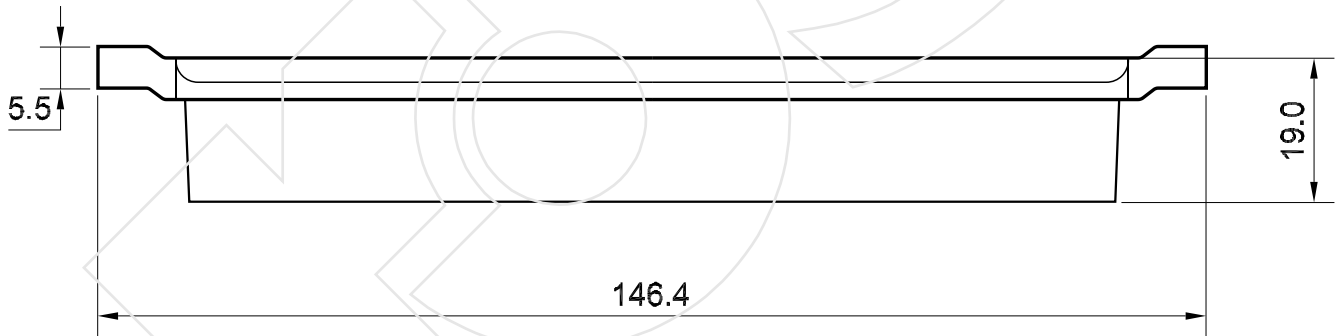
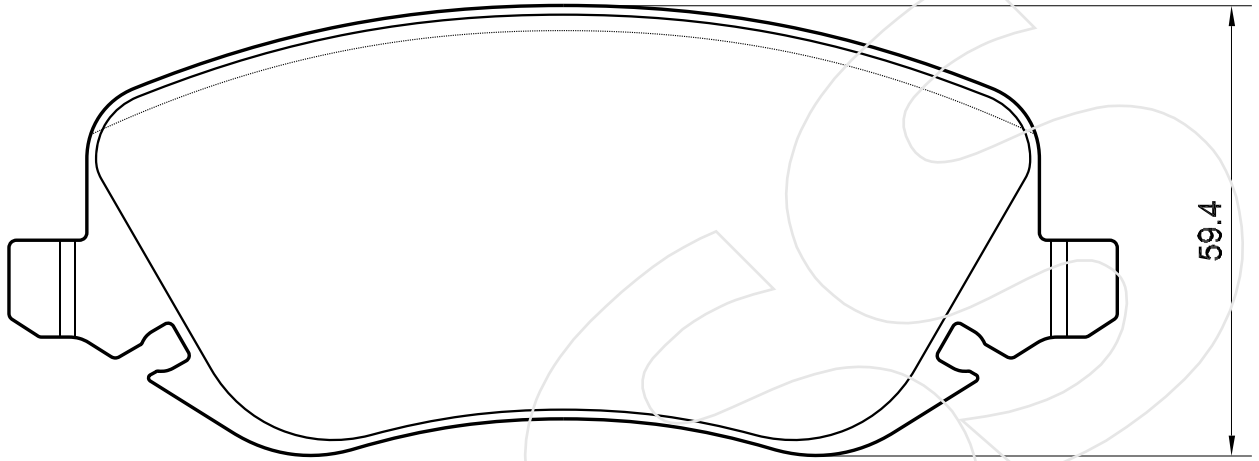
Reference in this Catalogue to other manufactures and to part numbers and other descriptions are for identification purposes only, because the above DISC BRAKE PADS are NOT ORIGINAL but with these interchangeable.

CODICE	IMPIANTO	ASSE	SCALA	APPLICAZIONI
<b>R-1022</b>	SUMITOMO	POSTERIORE	100%	LEXUS
CODICE COMPONENTI	N°	L(mm)	SERIE	
*	*	*	4 PEZZI	
*	*	*	*	
*	*	*	*	
*	*	*	*	
CODICE ACCESSORI	N°	L(mm)	NOTE	
*	*	*		
*	*	*		
*	*	*		
*	*	*		



Reference in this Catalogue to other manufactures and to part numbers and other descriptions are for identification purposes only, because the above DISC BRAKE PADS are NOT ORIGINAL but with these interchangeable.

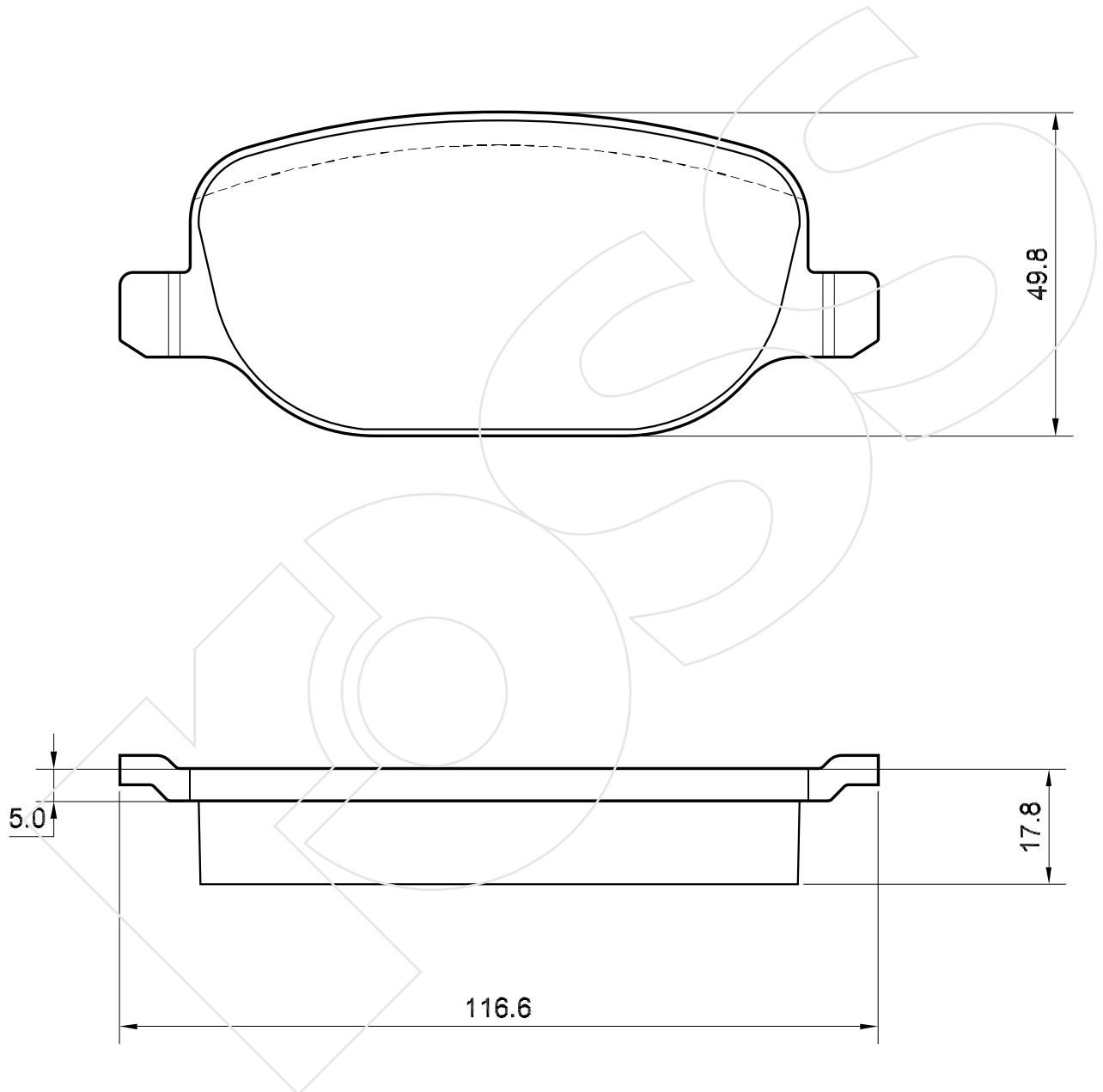
CODICE	IMPIANTO		ASSE	SCALA	APPLICAZIONI
<b>R-1023</b>	GIRLING		ANTERIORE	100%	LANCIA
CODICE COMPONENTI	N°	L(mm)	SERIE		
F3137	2	200	4 PEZZI		
*	*	*	*		
*	*	*	*		
*	*	*	*		
CODICE ACCESSORI	N°	L(mm)	NOTE		
*	*	*			
*	*	*			
*	*	*			
*	*	*			



Reference in this Catalogue to other manufactures and to part numbers and other descriptions are for identification purposes only, because the above DISC BRAKE PADS are NOT ORIGINAL but with these interchangeable.

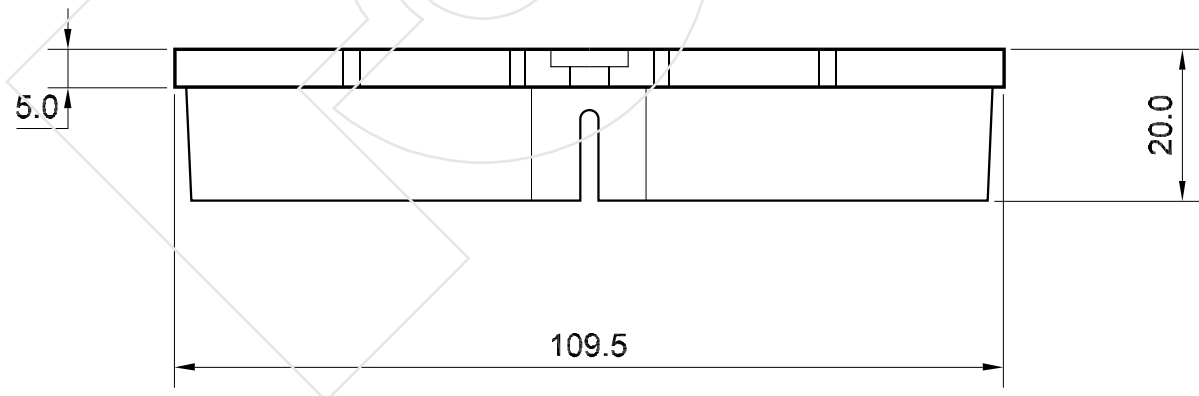
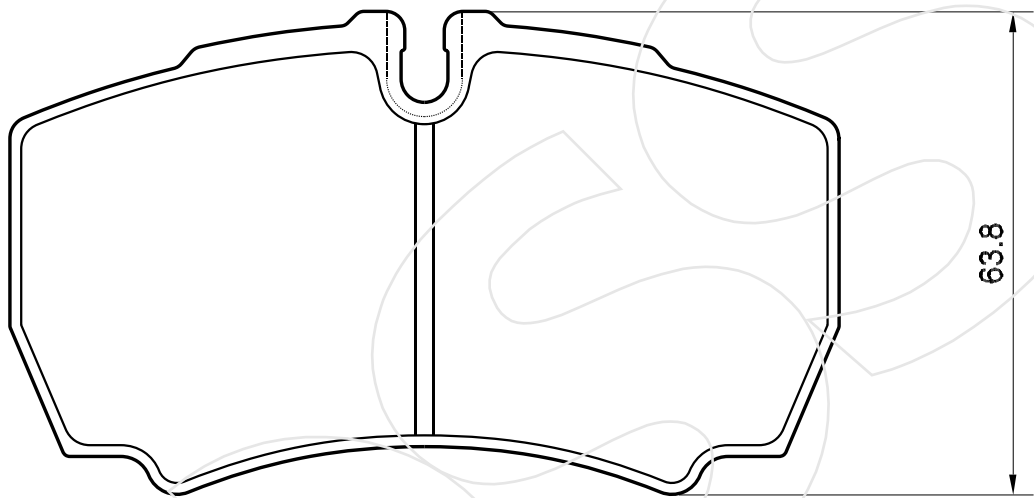


CODICE	IMPIANTO	ASSE	SCALA	APPLICAZIONI
<b>R-1024</b>	GIRLING	POSTERIORE	100%	LANCIA
CODICE COMPONENTI	N°	L(mm)	SERIE	
*	*	*	4 PEZZI	
*	*	*	*	
*	*	*	*	
*	*	*	*	
CODICE ACCESSORI	N°	L(mm)	NOTE	
*	*	*		
*	*	*		
*	*	*		
*	*	*		



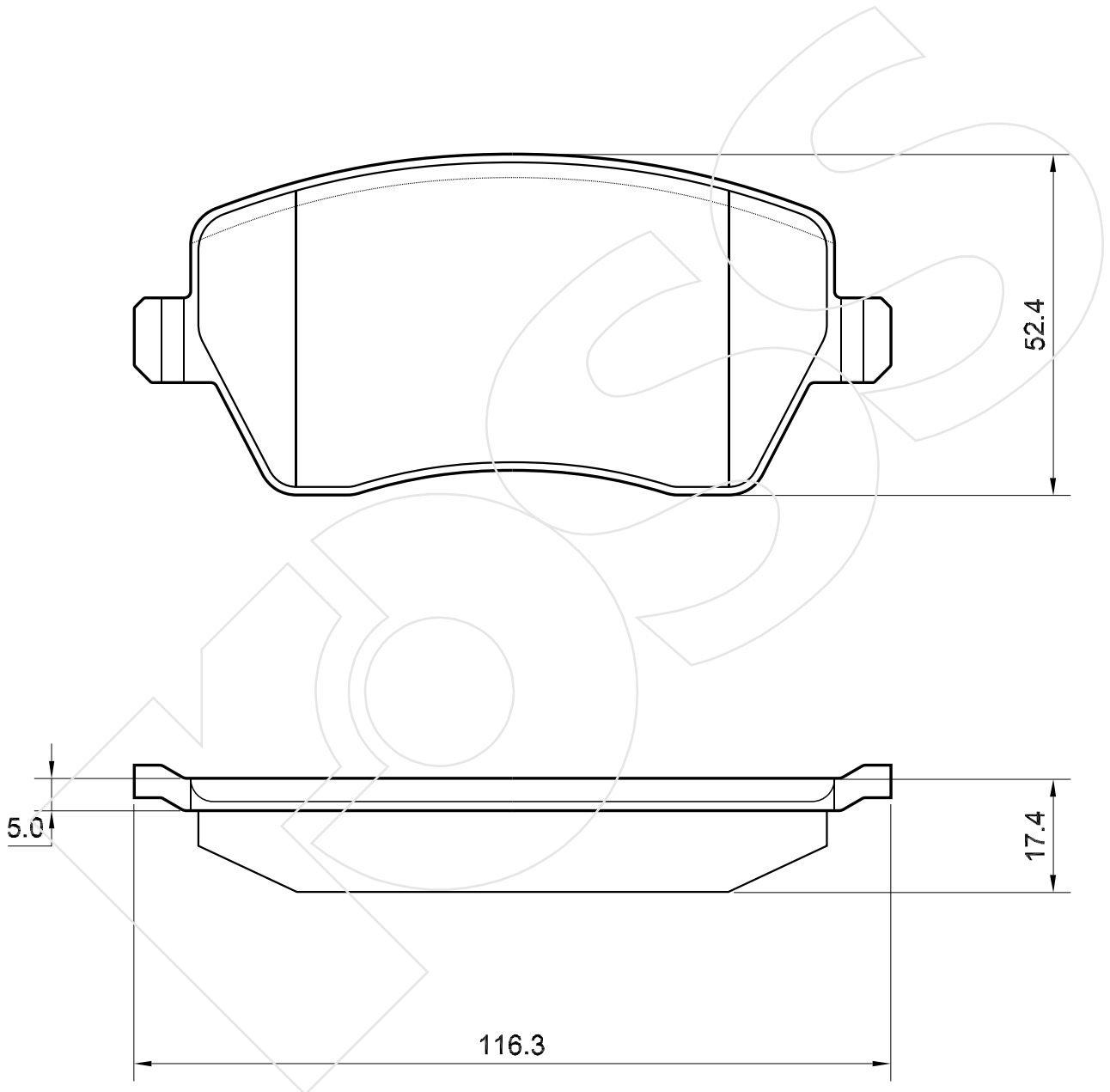
Reference in this Catalogue to other manufactures and to part numbers and other descriptions are for identification purposes only, because the above DISC BRAKE PADS are NOT ORIGINAL but with these interchangeable.

CODICE	IMPIANTO		ASSE	SCALA	APPLICAZIONI
<b>R-1025</b>	BREMBO		POSTERIORE	100%	IVECO
CODICE COMPONENTI	N°	L(mm)	SERIE		
*	*	*	4 PEZZI		
*	*	*	*		
*	*	*	*		
*	*	*	*		
CODICE ACCESSORI	N°	L(mm)	NOTE		
*	*	*			
*	*	*			
*	*	*			
*	*	*			



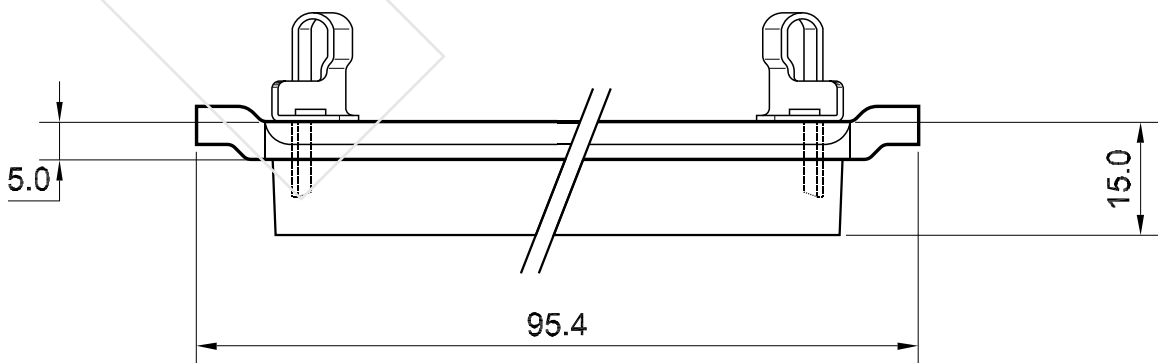
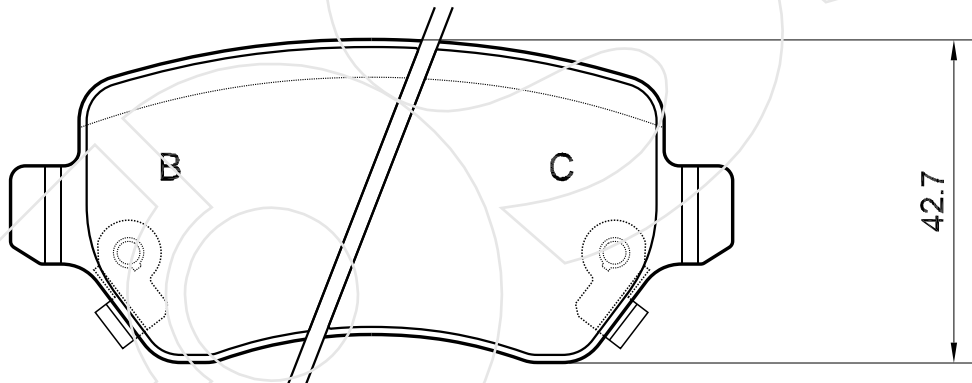
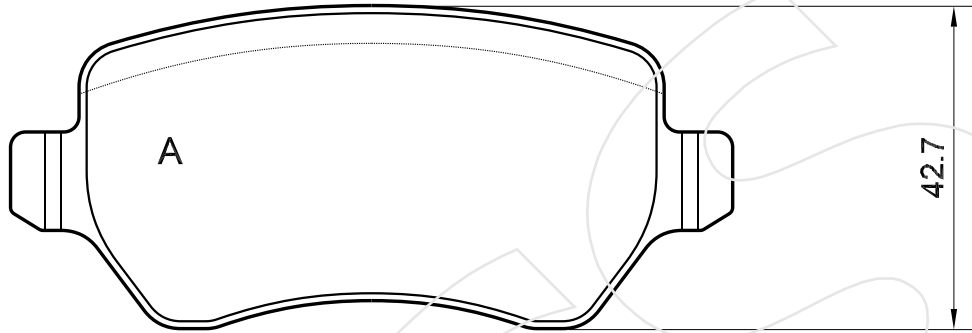
Reference in this Catalogue to other manufactures and to part numbers and other descriptions are for identification purposes only, because the above DISC BRAKE PADS are NOT ORIGINAL but with these interchangeable.

CODICE	IMPIANTO		ASSE	SCALA	APPLICAZIONI
<b>R-1026</b>	GIRLING		ANTERIORE	100%	NISSAN
CODICE COMPONENTI	N°	L(mm)	SERIE		
*	*	*	4 PEZZI		
*	*	*	*		
*	*	*	*		
*	*	*	*		
CODICE ACCESSORI	N°	L(mm)	NOTE		
*	*	*			
*	*	*			
*	*	*			
*	*	*			



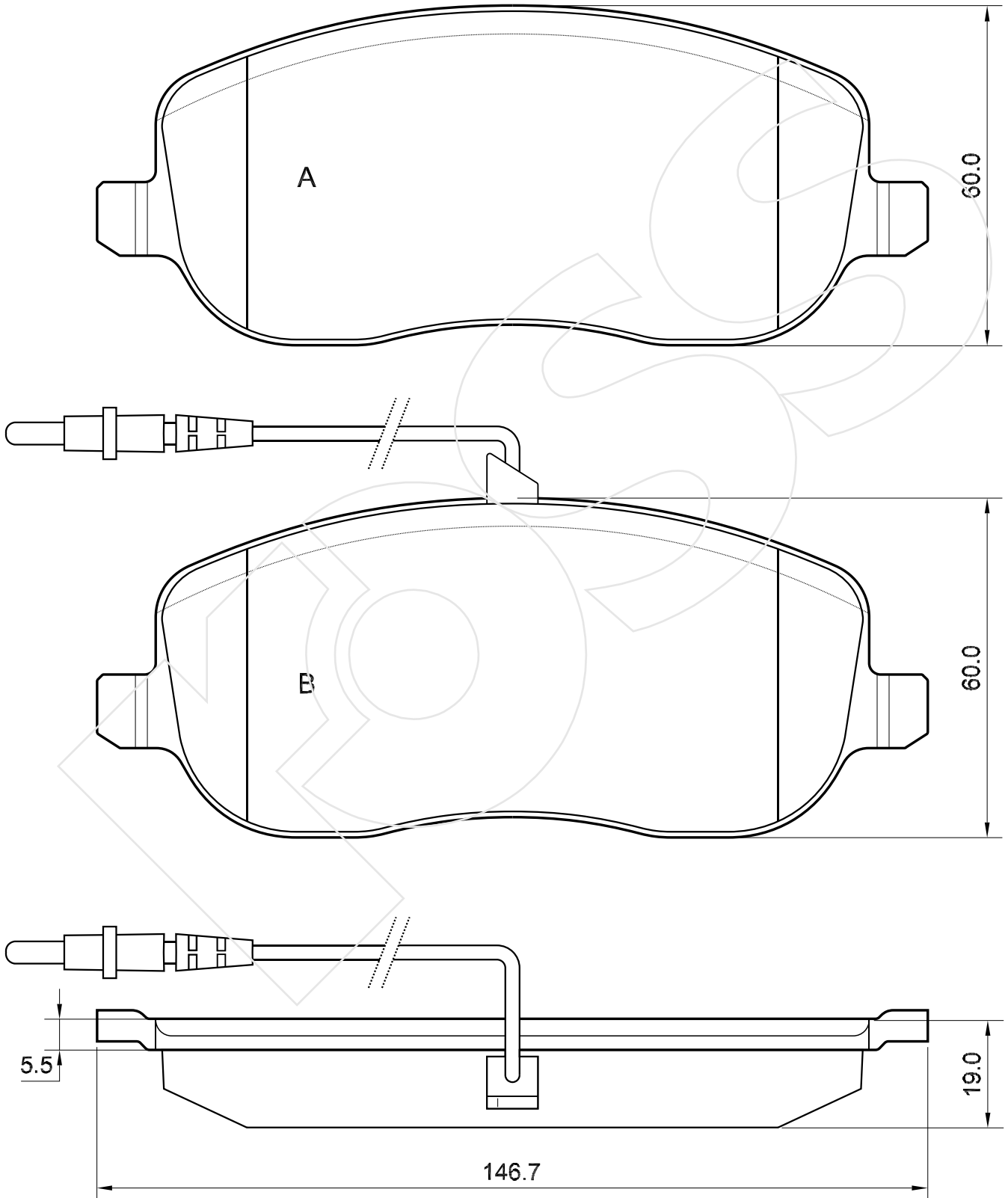
Reference in this Catalogue to other manufactures and to part numbers and other descriptions are for identification purposes only, because the above DISC BRAKE PADS are NOT ORIGINAL but with these interchangeable.

CODICE	IMPIANTO		ASSE	SCALA	APPLICAZIONI
<b>R-1027</b>	GIRLING		POSTERIORE	100%	OPEL
CODICE COMPONENTI	N°	L(mm)	SERIE		
*	*	*	2 PEZZI TIPO A		
M0095	1	*	1 PEZZO TIPO B		
M0094	1	*	1 PEZZO TIPO C		
*	*	*	*		
CODICE ACCESSORI	N°	L(mm)	NOTE		
*	*	*			
*	*	*			
*	*	*			
*	*	*			



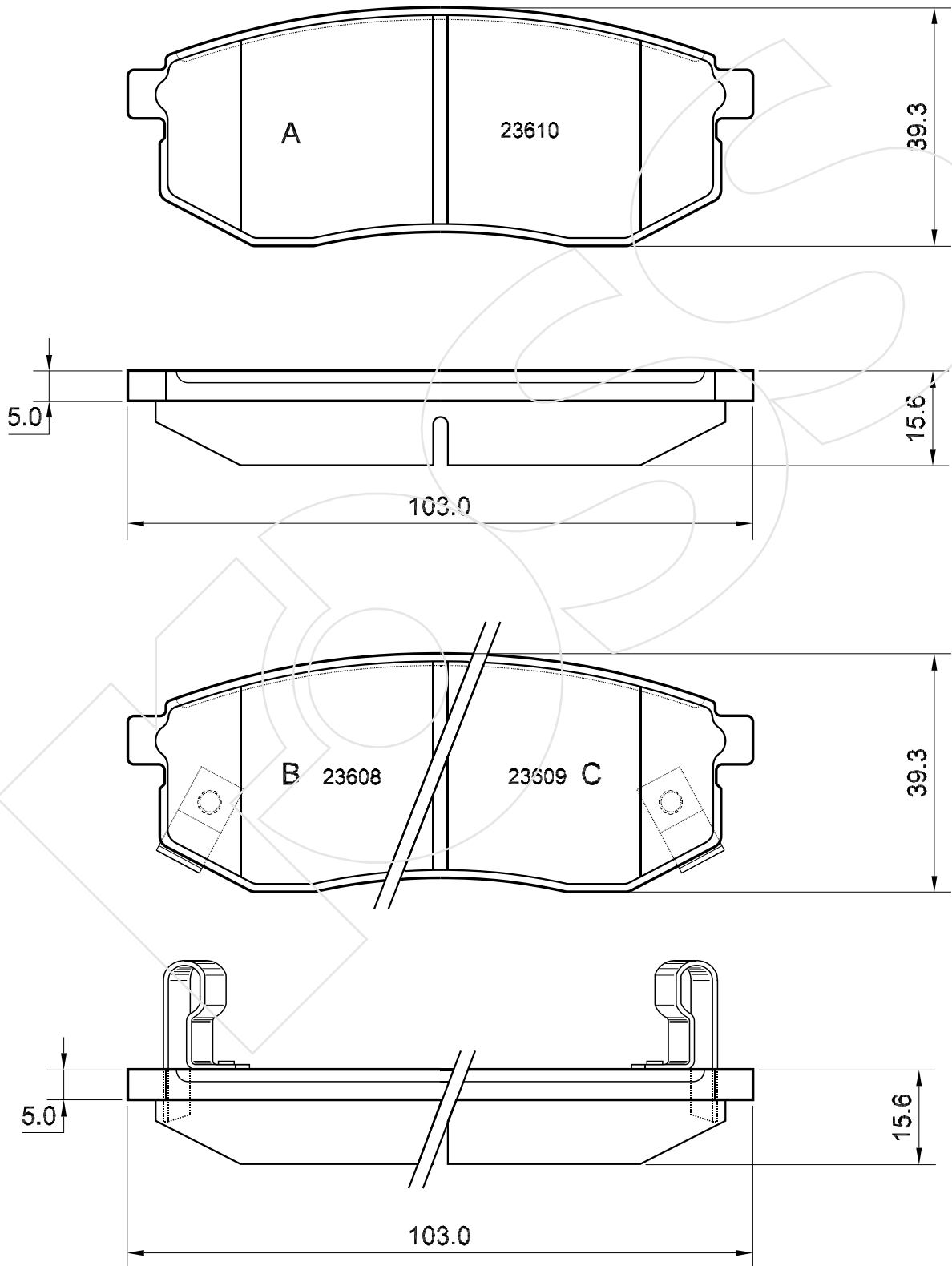
Reference in this Catalogue to other manufactures and to part numbers and other descriptions are for identification purposes only, because the above DISC BRAKE PADS are NOT ORIGINAL but with these interchangeable.

CODICE	IMPIANTO		ASSE	SCALA	APPLICAZIONI
<b>R-1028</b>	GIRLING		ANTERIORE	100%	<b>CITROEN :</b> <b>FIAT</b> <b>LANCIA</b> <b>PEUGEOT</b>
CODICE COMPONENTI	N°	L(mm)	SERIE		
*	*	*	2 PEZZI TIPO A		
F3141	2	175	2 PEZZI TIPO B		
*	*	*	*		
*	*	*	*		
CODICE ACCESSORI	N°	L(mm)	NOTE		
*	*	*			
*	*	*			
*	*	*			
*	*	*			



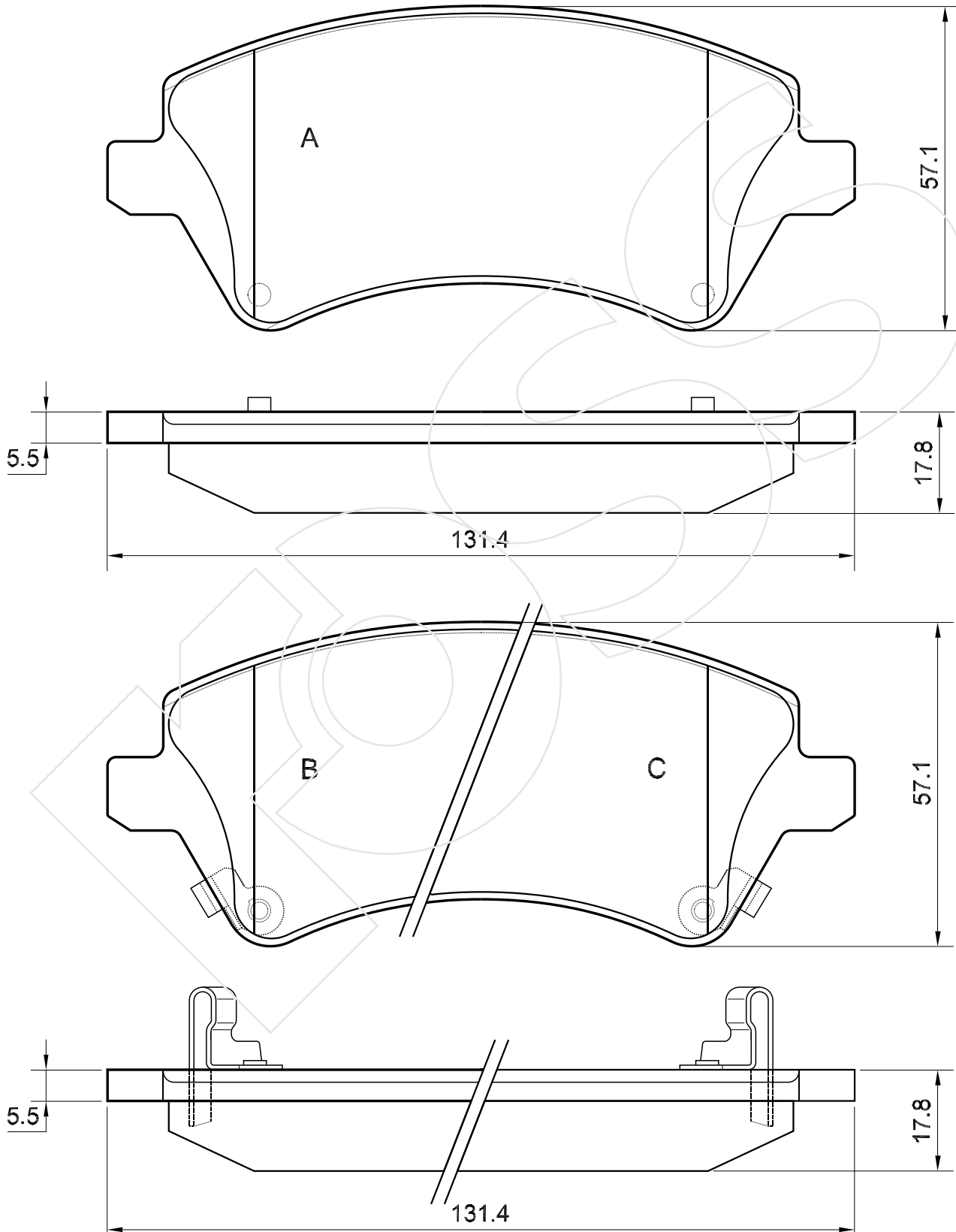
Reference in this Catalogue to other manufactures and to part numbers and other descriptions are for identification purposes only, because the above DISC BRAKE PADS are NOT ORIGINAL but with these interchangeable.

CODICE	IMPIANTO		ASSE	SCALA	APPLICAZIONI
<b>R-1029</b>	AKEBONO		POSTERIORE	100%	<b>MITSUBISHI:</b> <b>KIA</b> <b>HYUNDAI</b>
CODICE COMPONENTI	N°	L(mm)	SERIE		
*	*	*	2 PEZZI TIPO A		
M0074	1	*	1 PEZZO TIPO B		
M0074	1	*	1 PEZZO TIPO C		
*	*	*	*		
CODICE ACCESSORI	N°	L(mm)	NOTE		
*	*	*			
*	*	*			
*	*	*			
*	*	*			



Reference in this Catalogue to other manufactures and to part numbers and other descriptions are for identification purposes only, because the above DISC BRAKE PADS are NOT ORIGINAL but with these interchangeable.

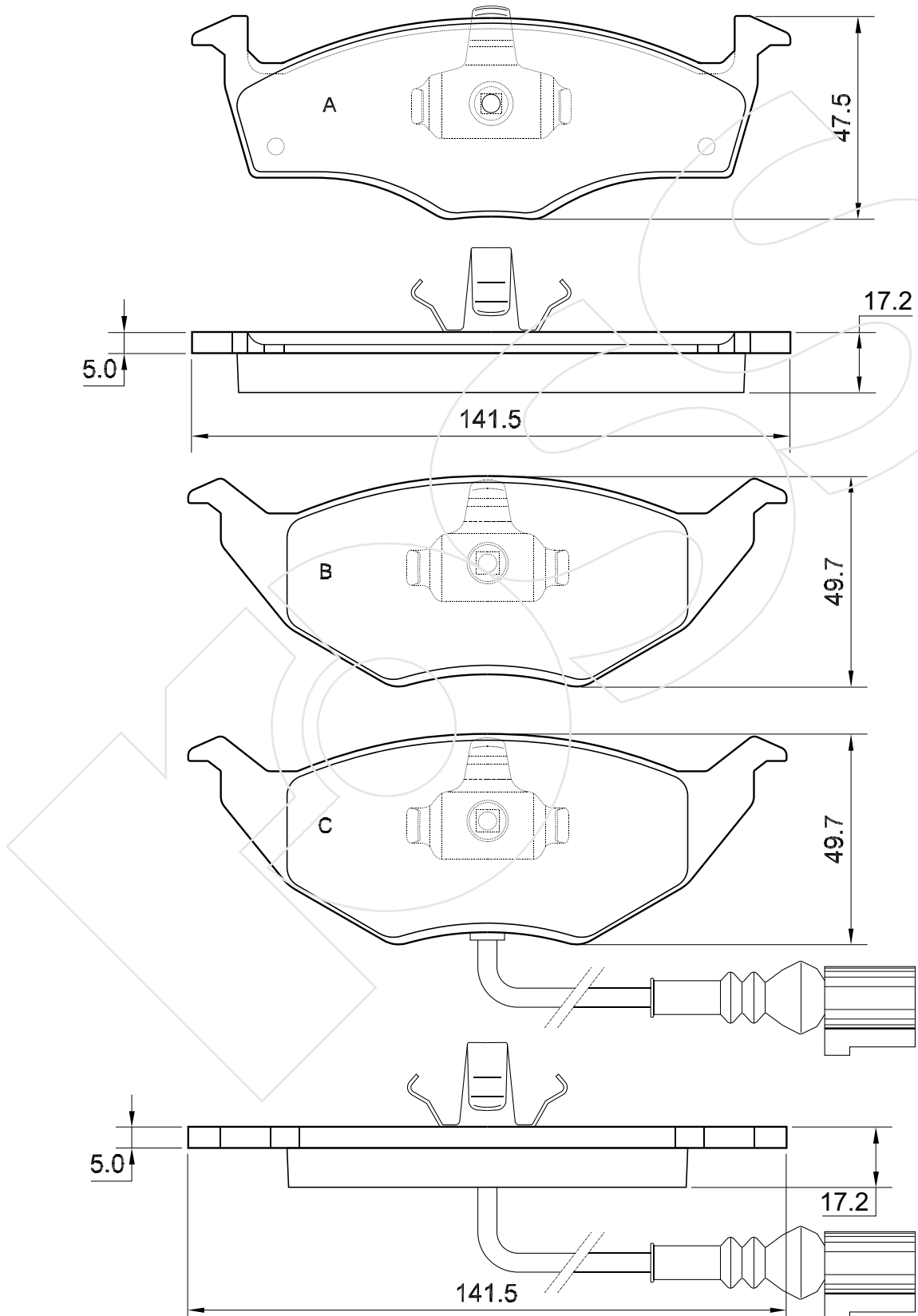
CODICE	IMPIANTO		ASSE	SCALA	APPLICAZIONI
<b>R-1030</b>	LUCAS		ANTERIORE	100%	TOYOTA
CODICE COMPONENTI	N°	L(mm)	SERIE		
*	*	*	2 PEZZI TIPO A		
M0094	1	*	1 PEZZO TIPO B		
M0095	1	*	1 PEZZO TIPO C		
*	*	*	*		
CODICE ACCESSORI	N°	L(mm)	NOTE		
*	*	*			
*	*	*			
*	*	*			
*	*	*			



Reference in this Catalogue to other manufactures and to part numbers and other descriptions are for identification purposes only, because the above DISC BRAKE PADS are NOT ORIGINAL but with these interchangeable.

CODICE	IMPIANTO		ASSE	SCALA	APPLICAZIONI
<b>R-1031</b>	KELSEY-HAYES		ANTERIORE	70%	<b>SKODA:</b>
CODICE COMPONENTI	N°	L(mm)	SERIE		
M0127	2	*	2 PEZZI TIPO A		
M0249	1	*	1 PEZZO TIPO B		
M0249+F3135	1+1	180	1 PEZZO TIPO C		
*	*	*	*		
OPTIONAL	N°	L(mm)	NOTE		
*	*	*			
*	*	*			
*	*	*			
*	*	*			

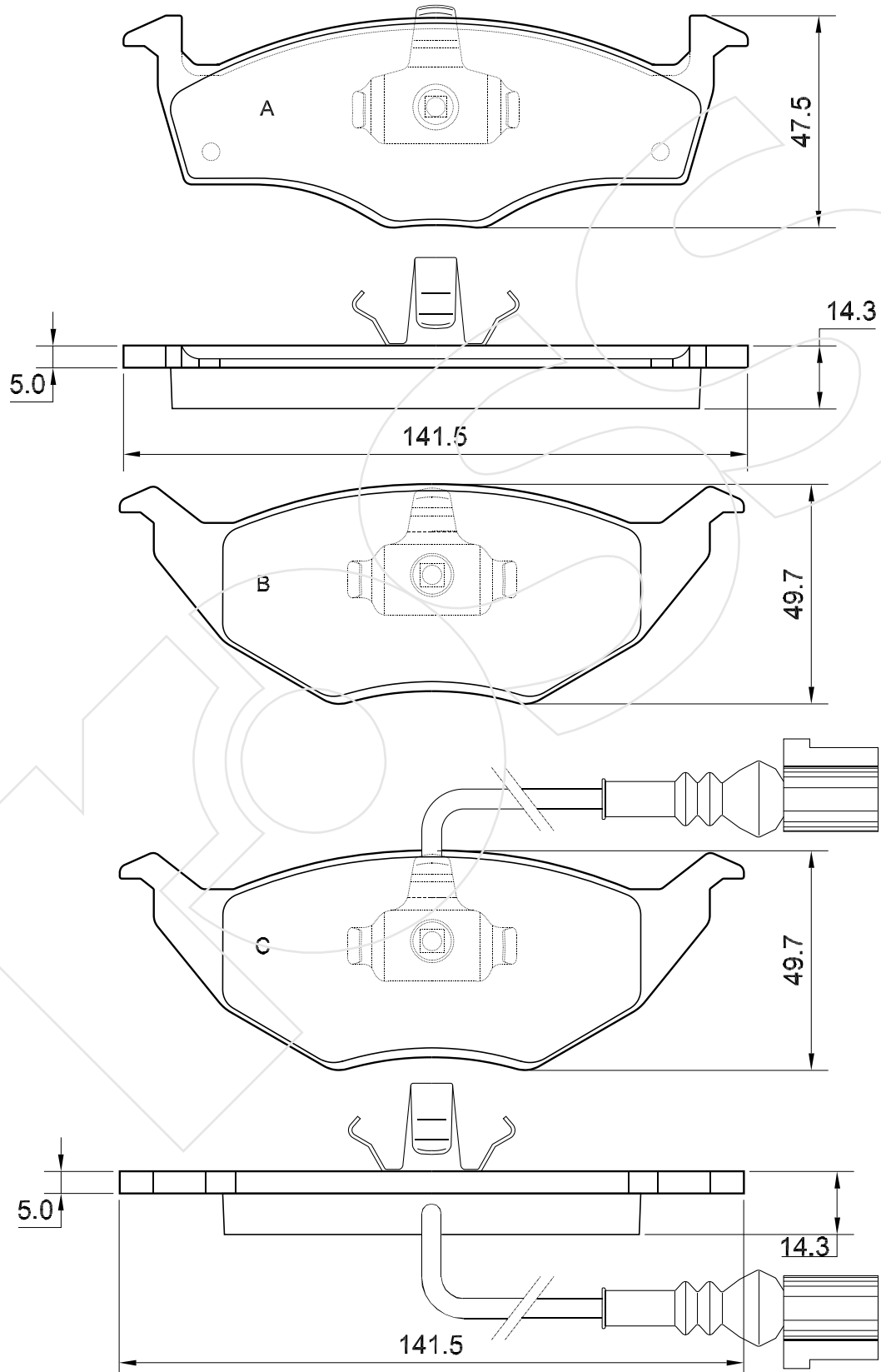
**VOLKSWAGEN**



Reference in this Catalogue to other manufactures and to part numbers and other descriptions are for identification purposes only, because the above DISC BRAKE PADS are NOT ORIGINAL but with these interchangeable.

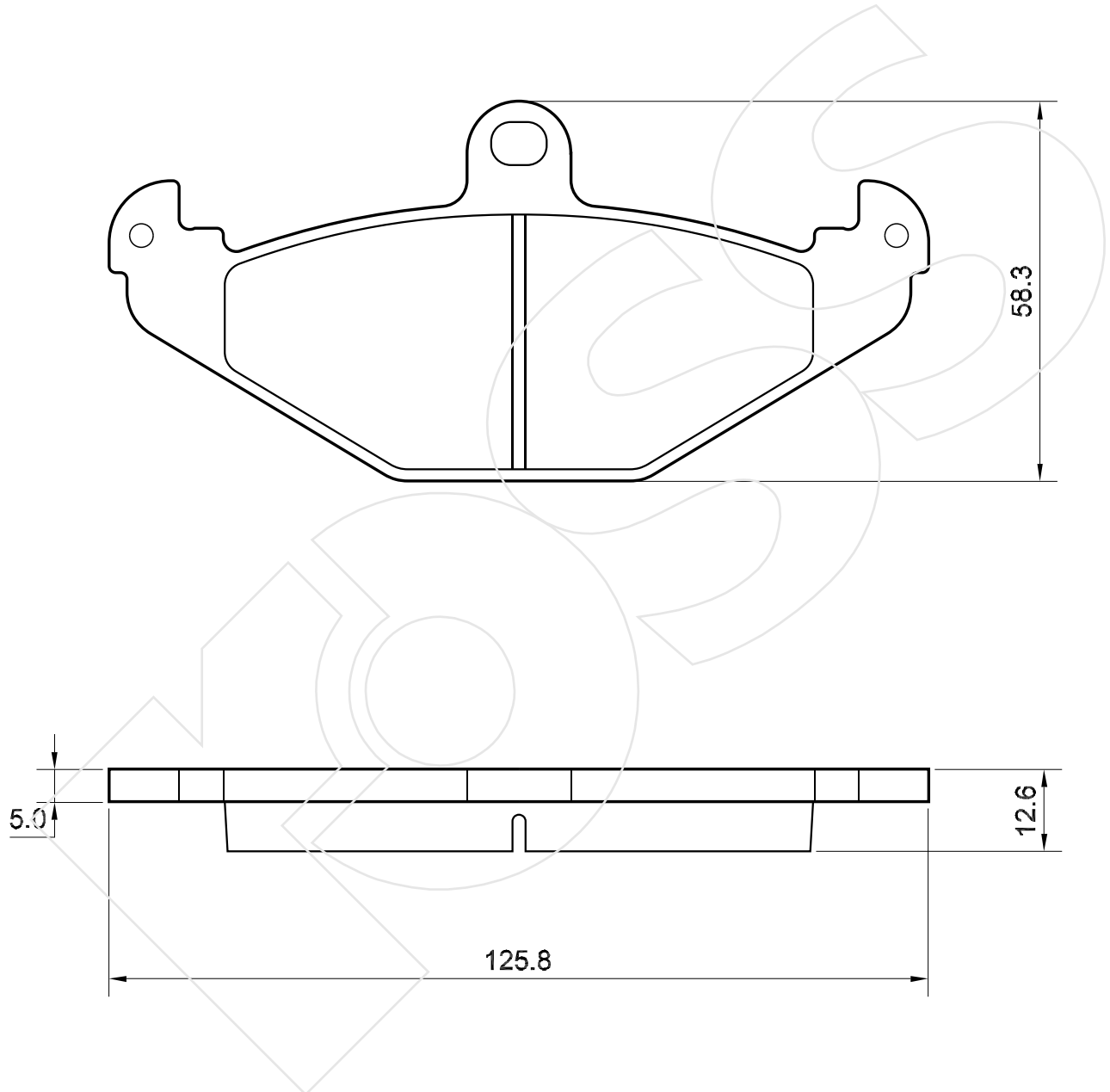


CODICE	IMPIANTO	ASSE	SCALA	APPLICAZIONI
<b>R-1032</b>	KELSEY-HAYES	ANTERIORE	70%	<b>AUDI:</b>
CODICE COMPONENTI	N°	L(mm)	SERIE	
M0127	2	*	2 PEZZI TIPO A	
M0249	1	*	1 PEZZO TIPO B	
M0249+F3142	1+1	235	1 PEZZO TIPO C	
*	*	*	*	
OPTIONAL	N°	L(mm)	NOTE	
*	*	*		
*	*	*		
*	*	*		
*	*	*		



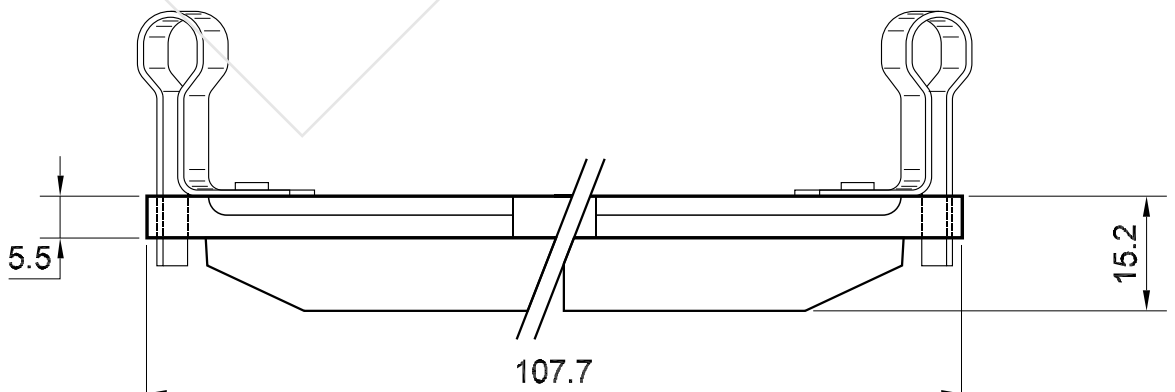
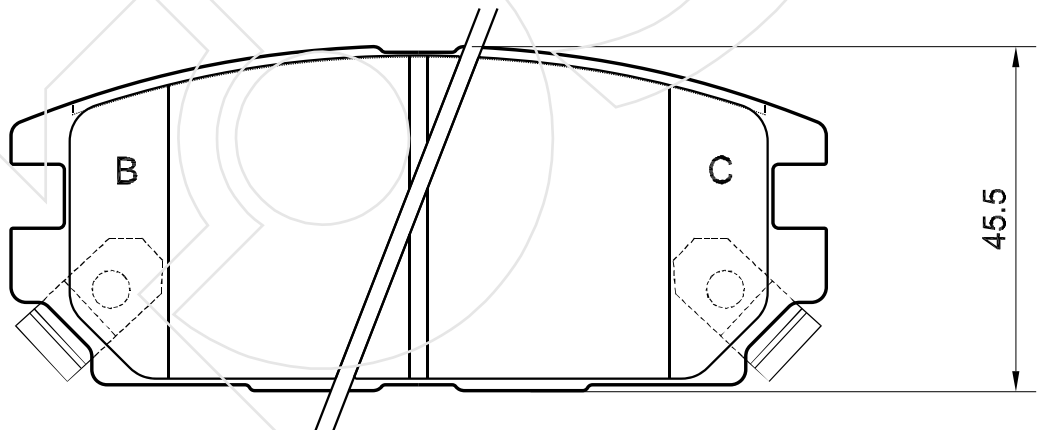
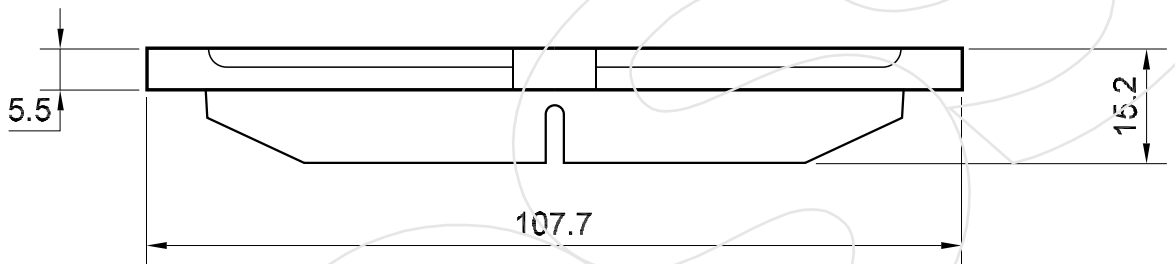
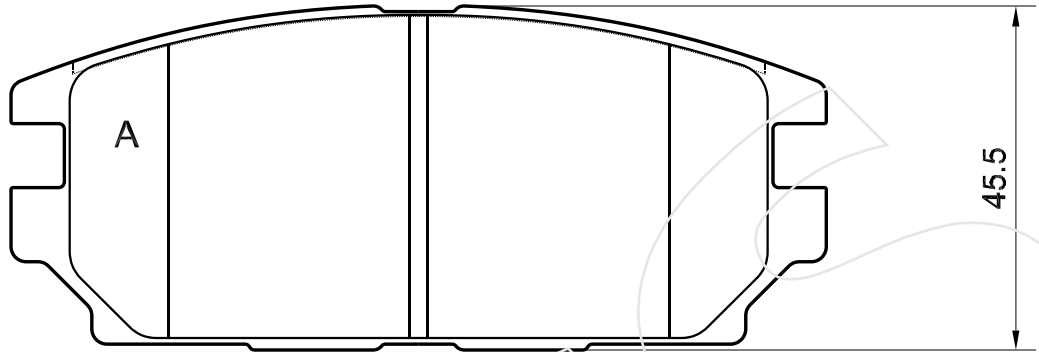
Reference in this Catalogue to other manufactures and to part numbers and other descriptions are for identification purposes only, because the above DISC BRAKE PADS are NOT ORIGINAL but with these interchangeable.

CODICE	IMPIANTO		ASSE	SCALA	APPLICAZIONI
<b>R-1033</b>	BREMBO		POSTERIORE	1:1	<b>OPEL</b>
CODICE COMPONENTI	N°	L(mm)	SERIE		VAUXHALL
*	*	*	4 PEZZI		
*	*	*	*		
*	*	*	*		
*	*	*	*		
OPTIONAL	N°	L(mm)	NOTE		
*	*	*			
*	*	*			
*	*	*			
*	*	*			



Reference in this Catalogue to other manufactures and to part numbers and other descriptions are for identification purposes only, because the above DISC BRAKE PADS are NOT ORIGINAL but with these interchangeable.

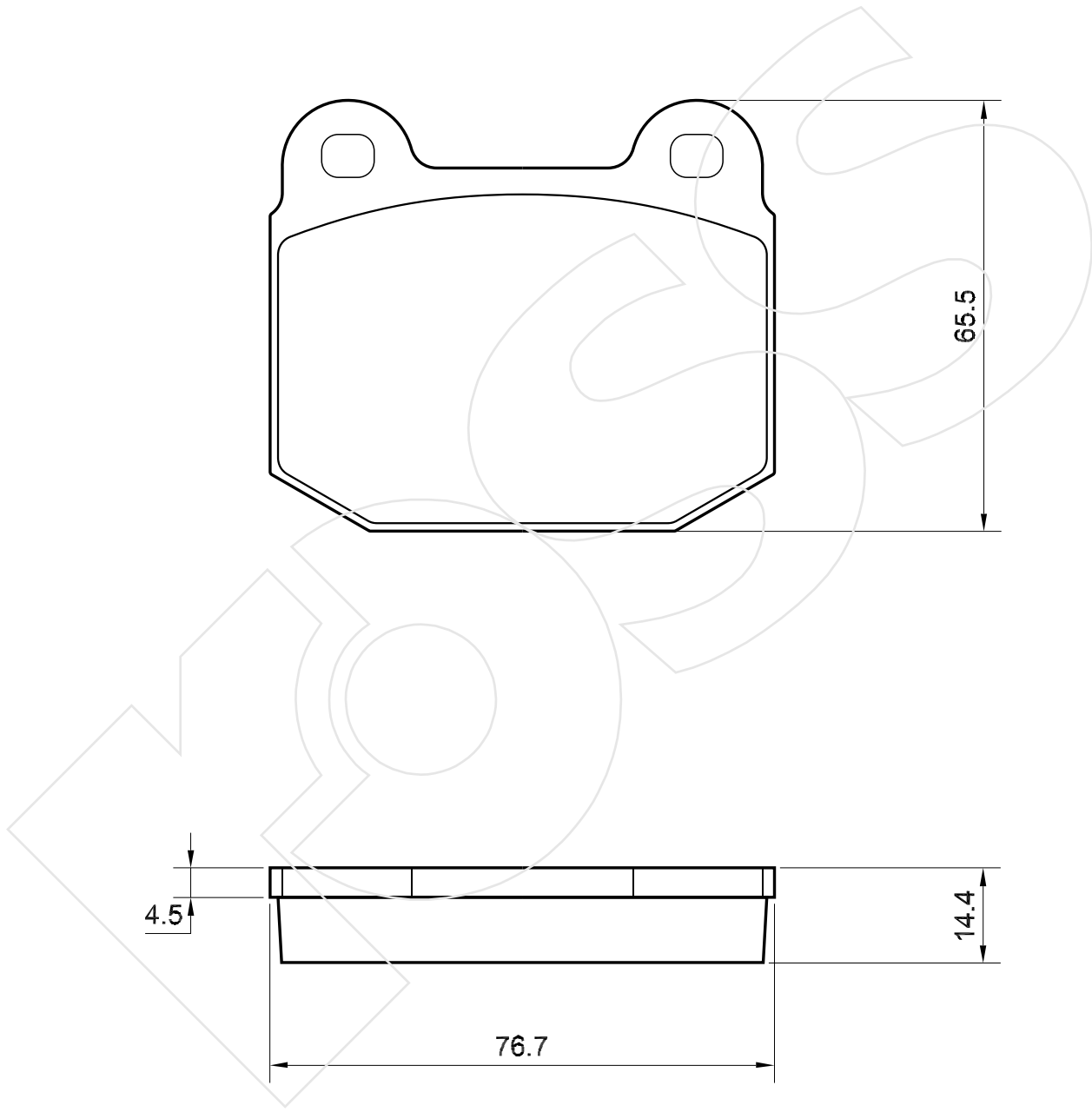
CODICE	IMPIANTO		ASSE	SCALA	APPLICAZIONI
<b>R-1034</b>	AKEBONO		POSTERIORE	1:1	MITSUBISHI
CODICE COMPONENTI	N°	L(mm)	SERIE		DODGE
*	*	*	2 PEZZI TIPO A		
M0060	1	*	1 PEZZO TIPO B		
M0060	1	*	1 PEZZO TIPO C		EAGLE
*	*	*	*		
OPTIONAL	N°	L(mm)	NOTE		
*	*	*			
*	*	*			
*	*	*			
*	*	*			



Reference in this Catalogue to other manufactures and to part numbers and other descriptions are for identification purposes only, because the above DISC BRAKE PADS are NOT ORIGINAL but with these interchangeable.

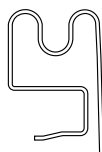
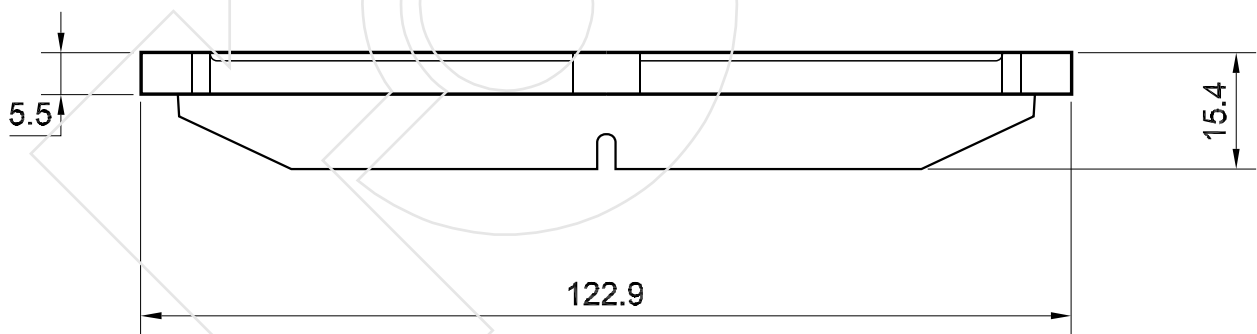
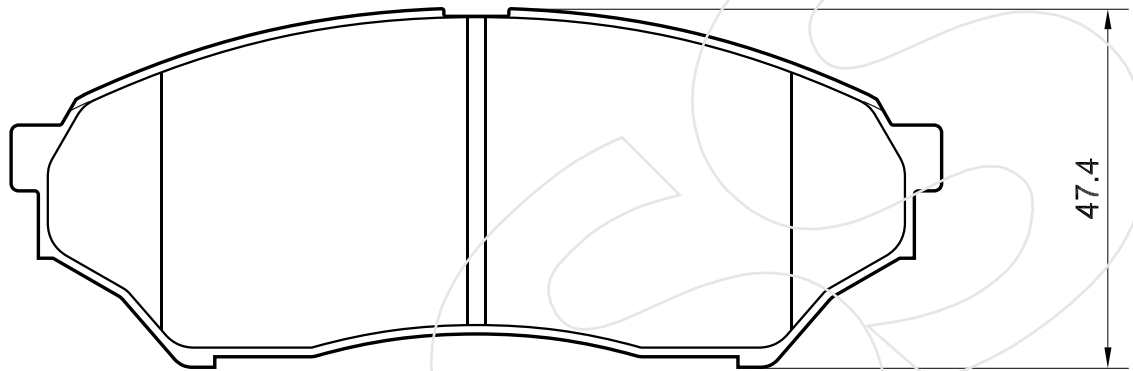
CODICE	IMPIANTO		ASSE	SCALA	APPLICAZIONI
<b>R-1035</b>	ATE		ANTERIORE	100%	LOTUS
CODICE COMPONENTI	N°	L(mm)	SERIE		
*	*	*	4 PEZZI		
*	*	*	*		
*	*	*	*		
*	*	*	*		
*	*	*	*		
*	*	*	*		
OPTIONAL	N°	L(mm)	NOTE		
*	*	*	*		
*	*	*	*		
*	*	*	*		
*	*	*	*		

OPEL



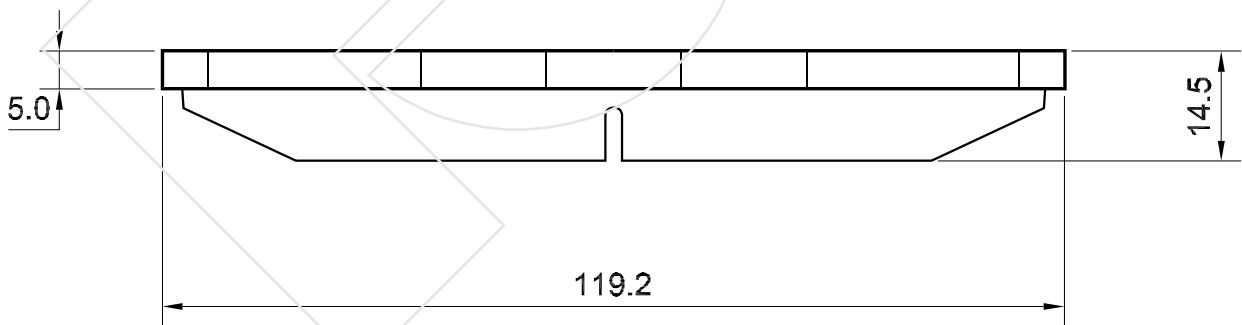
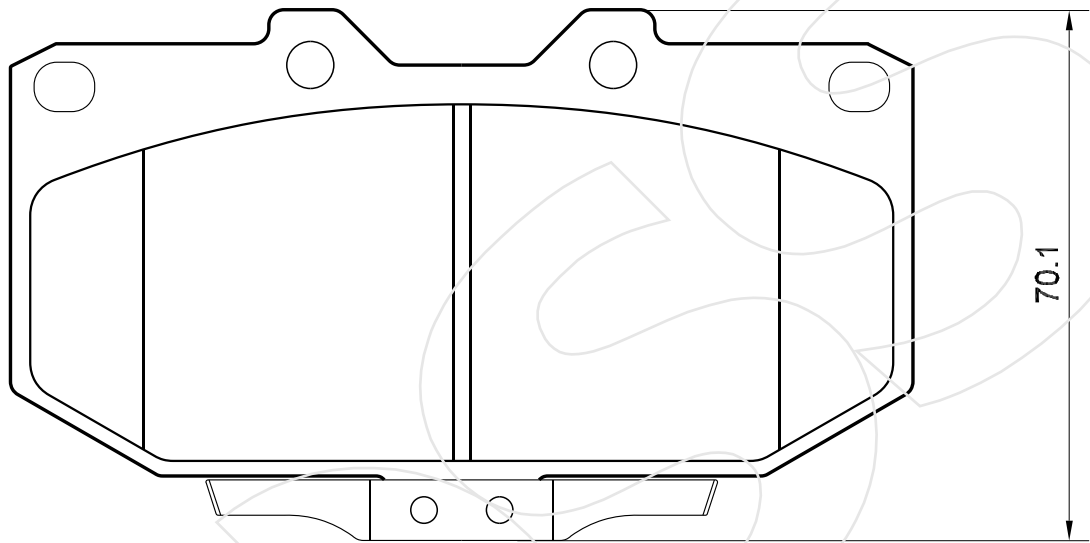
Reference in this Catalogue to other manufactures and to part numbers and other descriptions are for identification purposes only, because the above DISC BRAKE PADS are NOT ORIGINAL but with these interchangeable.

CODICE	IMPIANTO	ASSE	SCALA	APPLICAZIONI
<b>R-1036</b>	SUMITOMO	ANTERIORE	100%	MITSUBISHI
CODICE COMPONENTI	N°	L(mm)	SERIE	
M0141	1	*	4 PEZZI	
*	*	*	*	
*	*	*	*	
*	*	*	*	
OPTIONAL	N°	L(mm)	NOTE	
*	*	*	*	
*	*	*	*	
*	*	*	*	
*	*	*	*	



Reference in this Catalogue to other manufactures and to part numbers and other descriptions are for identification purposes only, because the above DISC BRAKE PADS are NOT ORIGINAL but with these interchangeable.

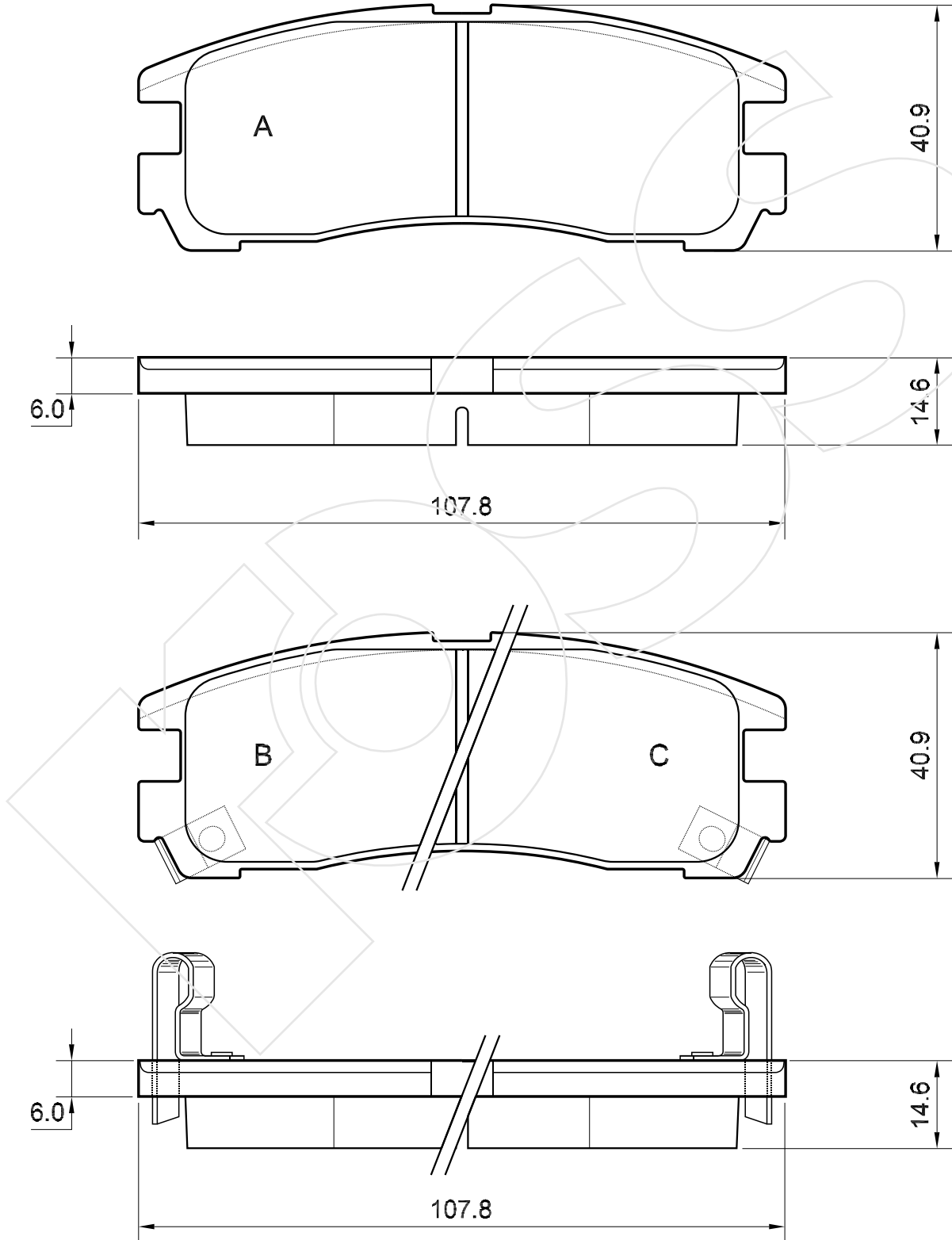
CODICE	IMPIANTO	ASSE	SCALA	APPLICAZIONI
<b>R-1037</b>	SUMITOMO	ANTERIORE	100%	SUBARU
CODICE COMPONENTI	N°	L(mm)	SERIE	
M055	4	*	4 PEZZI	
*	*	*	*	
*	*	*	*	
*	*	*	*	
OPTIONAL	N°	L(mm)	NOTE	
*	*	*	*	
*	*	*	*	
*	*	*	*	
*	*	*	*	



Reference in this Catalogue to other manufactures and to part numbers and other descriptions are for identification purposes only, because the above DISC BRAKE PADS are NOT ORIGINAL but with these interchangeable.

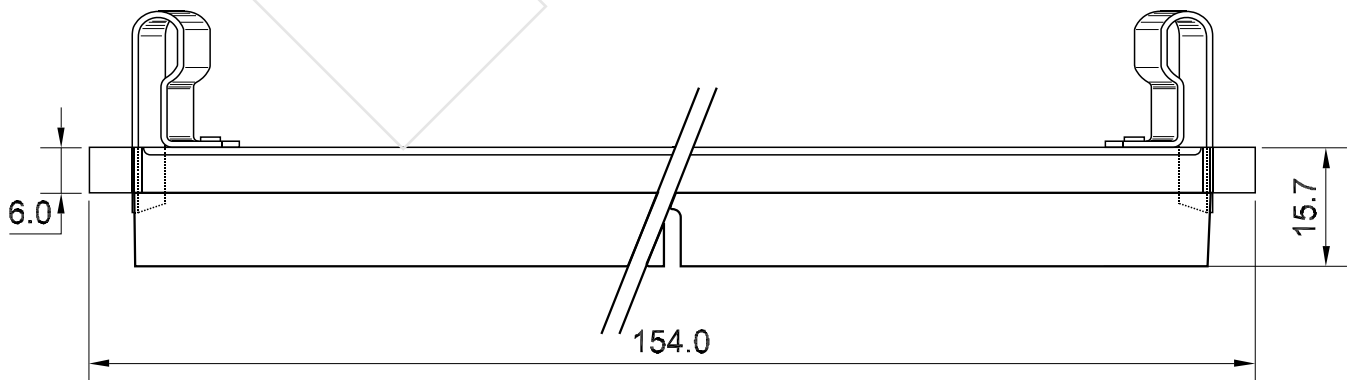
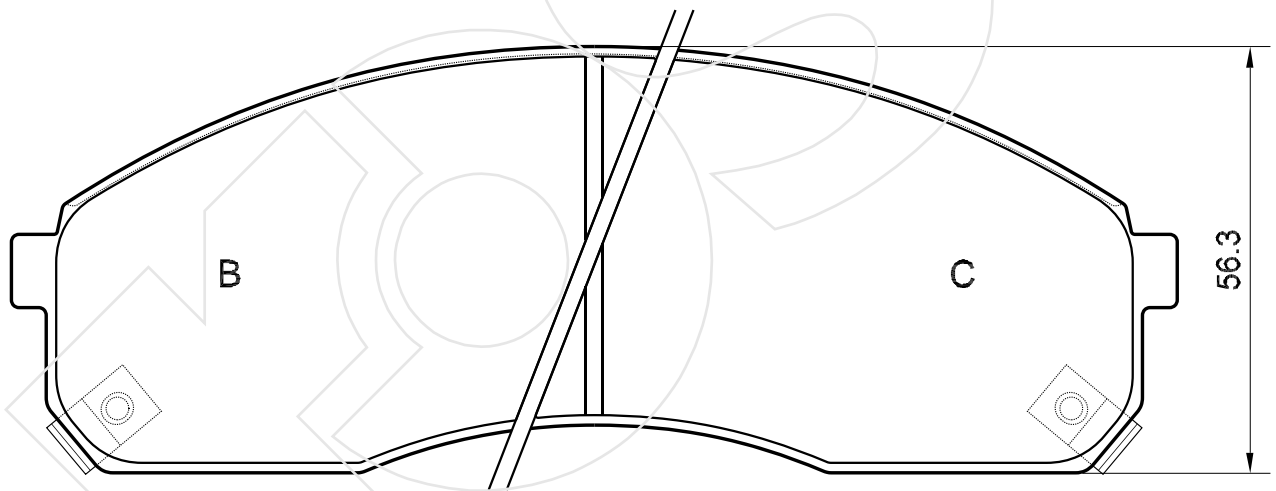
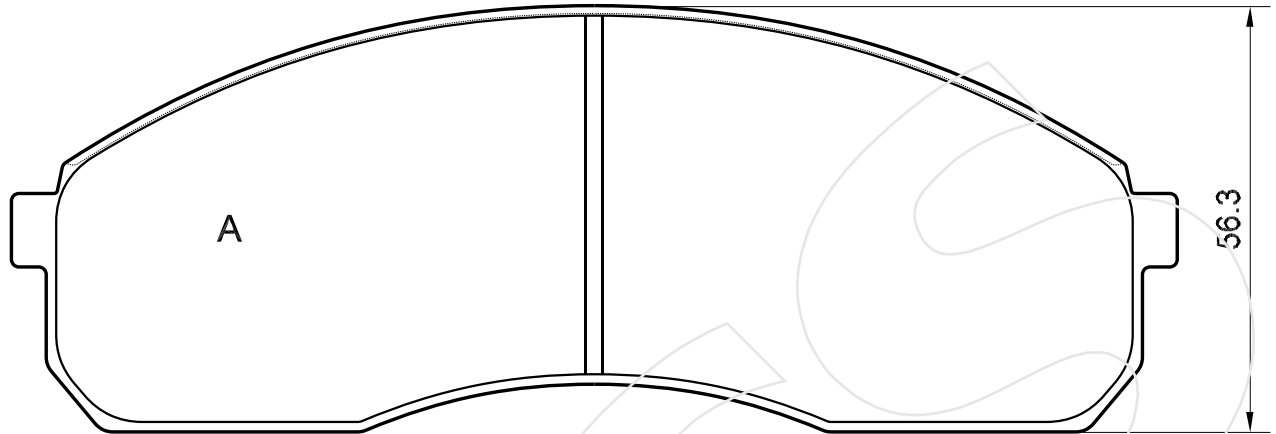
CODICE	IMPIANTO		ASSE	SCALA	APPLICAZIONI
<b>R-1038</b>	AKEBONO		POSTERIORE	100%	CHEVROLET
CODICE COMPONENTI	N°	L(mm)	SERIE		
*	*	*	2 PEZZI TIPO A		
M0069	1	*	1 PEZZI TIPO B		
M0069	1	*	1 PEZZI TIPO C		
*	*	*	*		
OPTIONAL	N°	L(mm)	NOTE		
*	*	*	*		
*	*	*	*		
*	*	*	*		
*	*	*	*		

OPEL



Reference in this Catalogue to other manufactures and to part numbers and other descriptions are for identification purposes only, because the above DISC BRAKE PADS are NOT ORIGINAL but with these interchangeable.

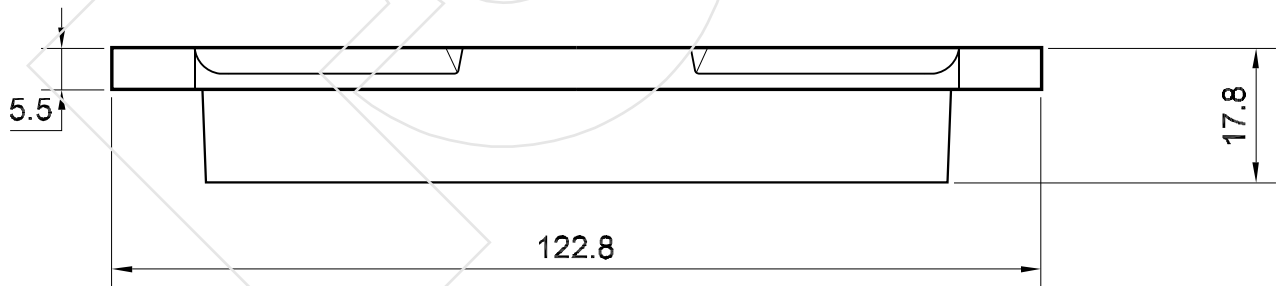
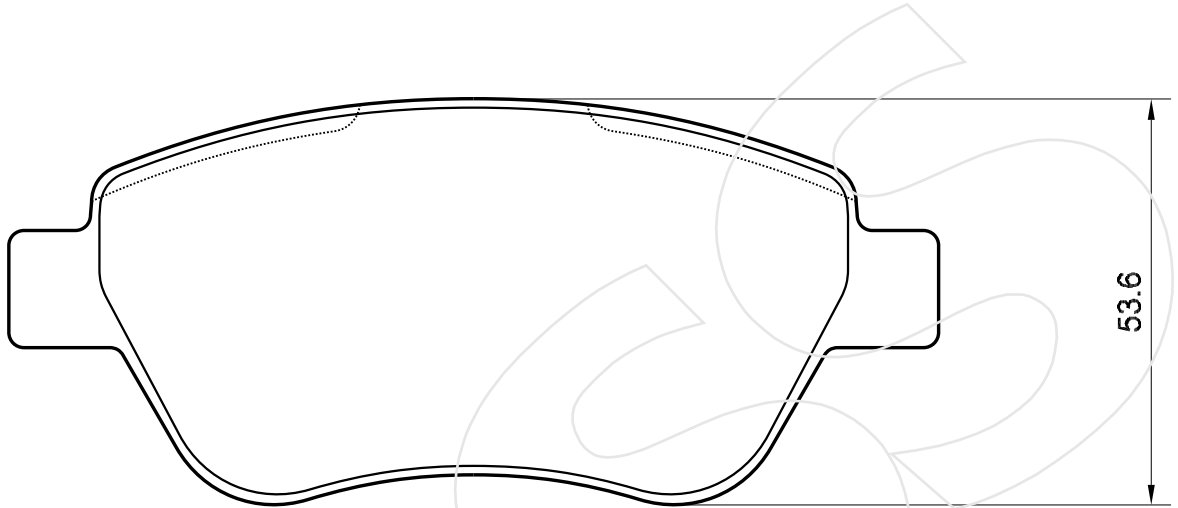
CODICE	IMPIANTO		ASSE	SCALA	APPLICAZIONI
<b>R-1039</b>	SUMITOMO		ANTERIORE	100%	KIA
CODICE COMPONENTI	N°	L(mm)	SERIE		
*	*	*	2 PEZZI TIPO A		
M0069	1	*	1 PEZZI TIPO B		
M0069	1	*	1 PEZZI TIPO C		
*	*	*	*		
OPTIONAL	N°	L(mm)	NOTE		
*	*	*	*		
*	*	*	*		
*	*	*	*		
*	*	*	*		



Reference in this Catalogue to other manufactures and to part numbers and other descriptions are for identification purposes only, because the above DISC BRAKE PADS are NOT ORIGINAL but with these interchangeable.

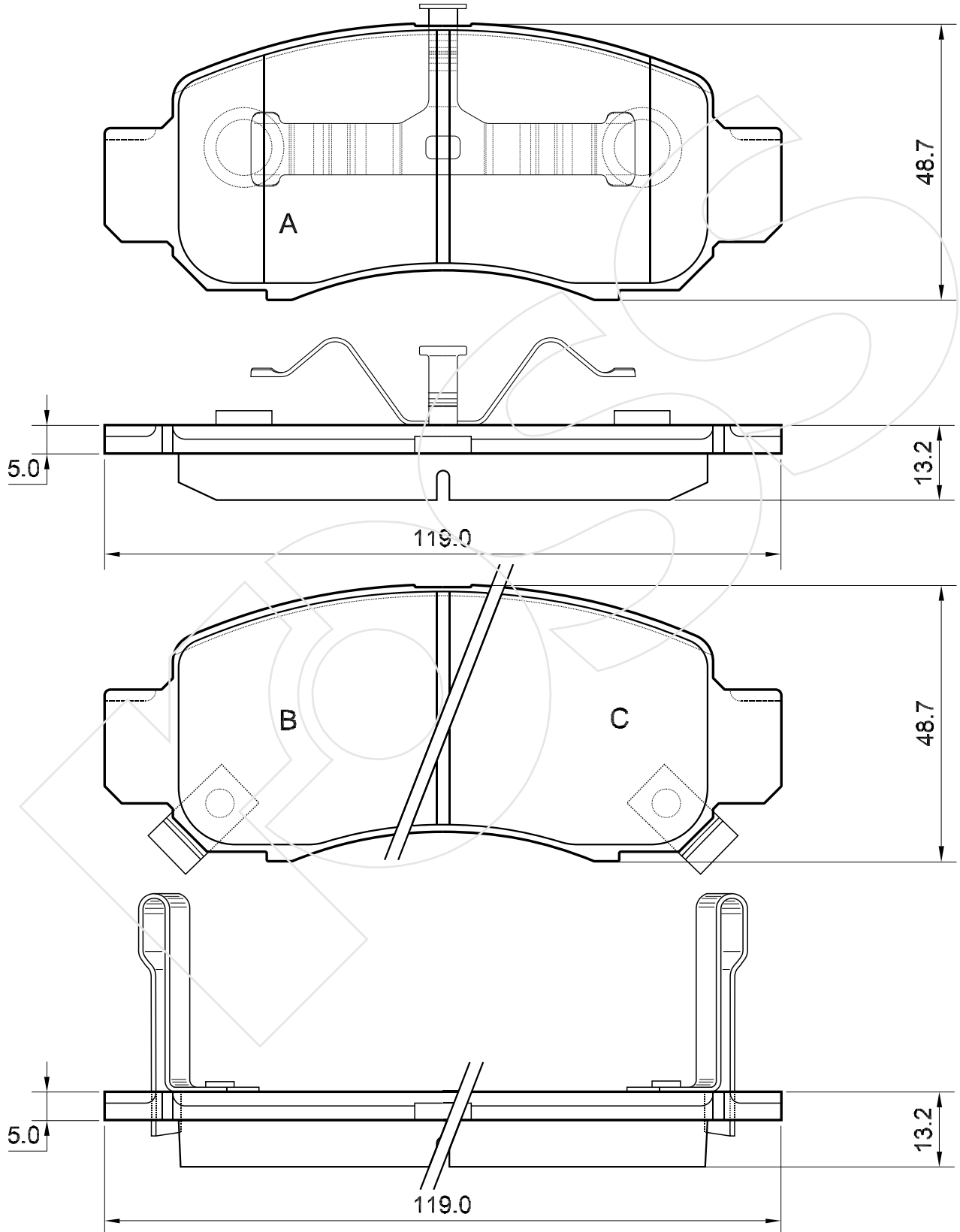


CODICE	IMPIANTO	ASSE	SCALA	APPLICAZIONI
<b>R-1040</b>	BOSCH	ANTERIORE	100%	FIAT
CODICE COMPONENTI	N°	L(mm)	SERIE	
*	*	*	4 PEZZI	
*	*	*	*	
*	*	*	*	
*	*	*	*	
OPTIONAL	N°	L(mm)	NOTE	
*	*	*	*	
*	*	*	*	
*	*	*	*	
*	*	*	*	



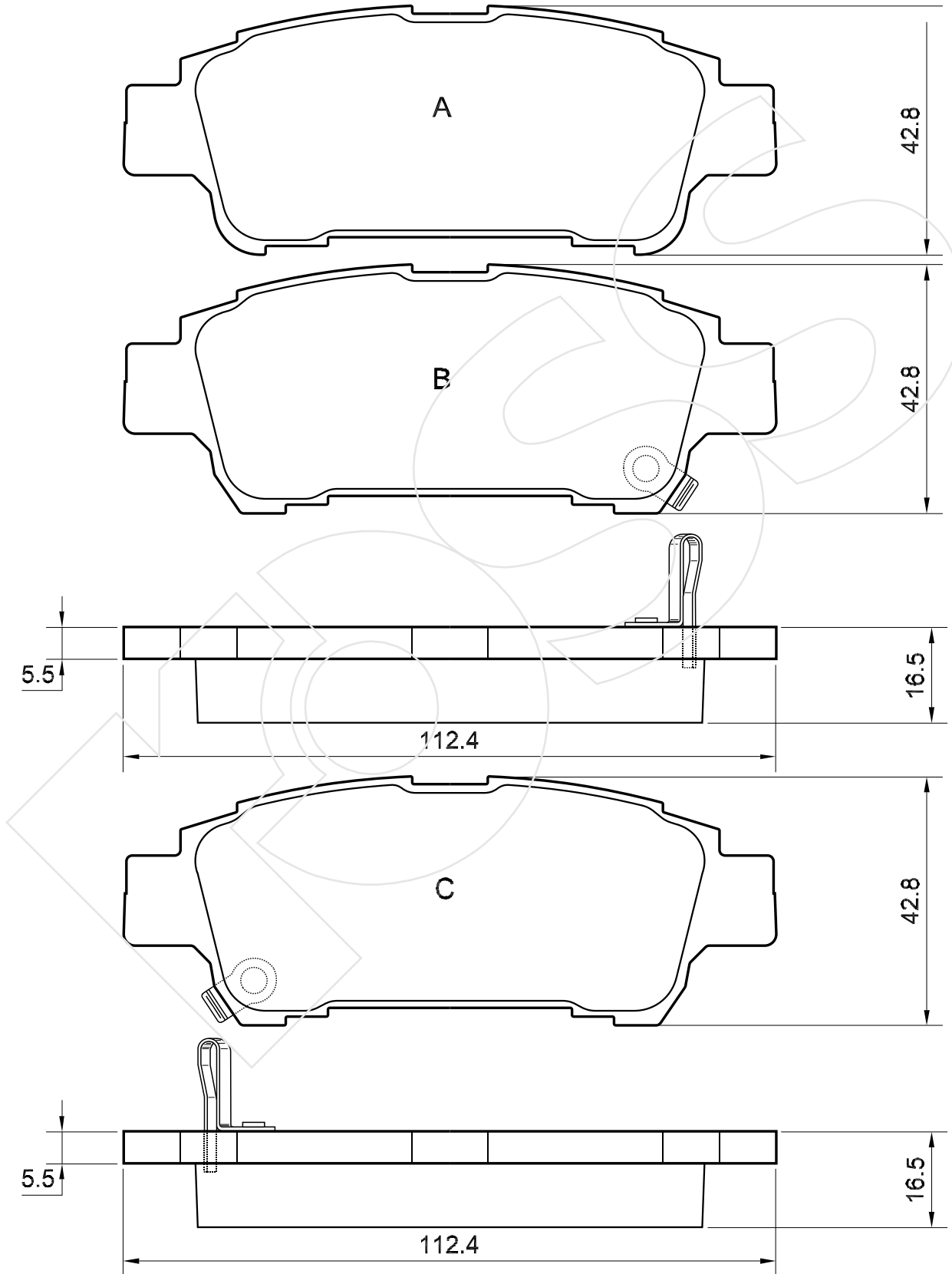
Reference in this Catalogue to other manufactures and to part numbers and other descriptions are for identification purposes only, because the above DISC BRAKE PADS are NOT ORIGINAL but with these interchangeable.

CODICE	IMPIANTO		ASSE	SCALA	APPLICAZIONI
<b>R-1041</b>	*		ANTERIORE	100%	HONDA
CODICE COMPONENTI	N°	L(mm)	SERIE		
M0227	2	*	2 PEZZI TIPO A		
M0062	1	*	1 PEZZO TIPO B		
M0062	1	*	1 PEZZO TIPO C		
*	*	*	*		
OPTIONAL	N°	L(mm)	NOTE		
*	*	*	*		
*	*	*	*		
*	*	*	*		
*	*	*	*		



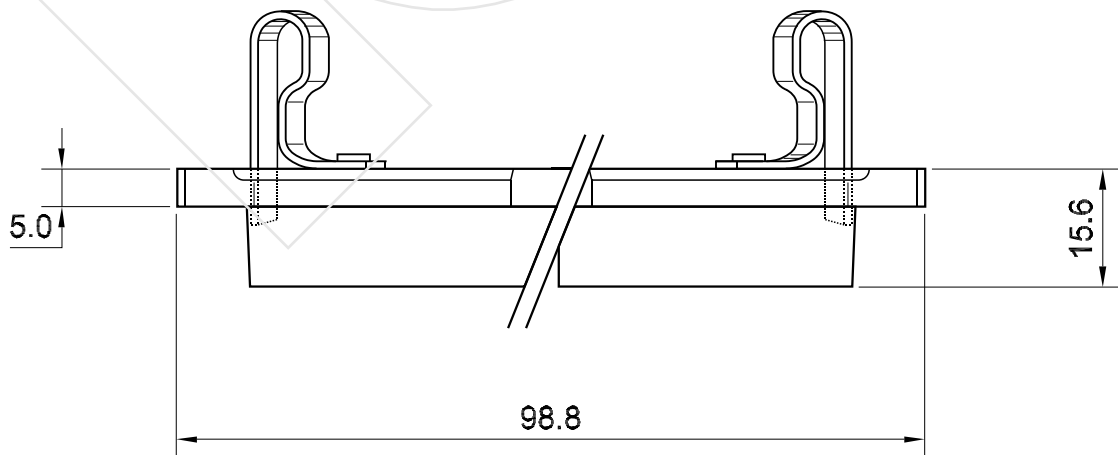
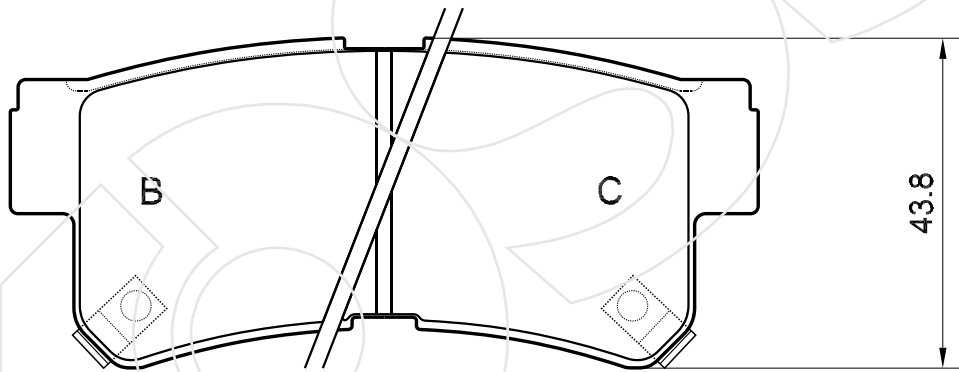
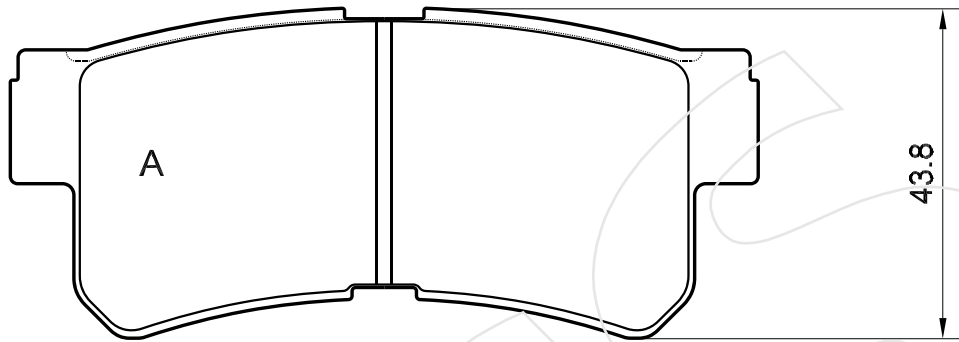
Reference in this Catalogue to other manufactures and to part numbers and other descriptions are for identification purposes only, because the above DISC BRAKE PADS are NOT ORIGINAL but with these interchangeable.

CODICE	IMPIANTO		ASSE	SCALA	APPLICAZIONI
<b>R-1042</b>	SUMITOMO		POSTERIORE	100%	TOYOTA
CODICE COMPONENTI	N°	L(mm)	SERIE		
*	*	*	2 PEZZI TIPO A		
M0174	1	*	1 PEZZO TIPO B		
M0174	1	*	1 PEZZO TIPO C		
*	*	*	*		
OPTIONAL	N°	L(mm)	NOTE		
*	*	*	*		
*	*	*	*		
*	*	*	*		
*	*	*	*		



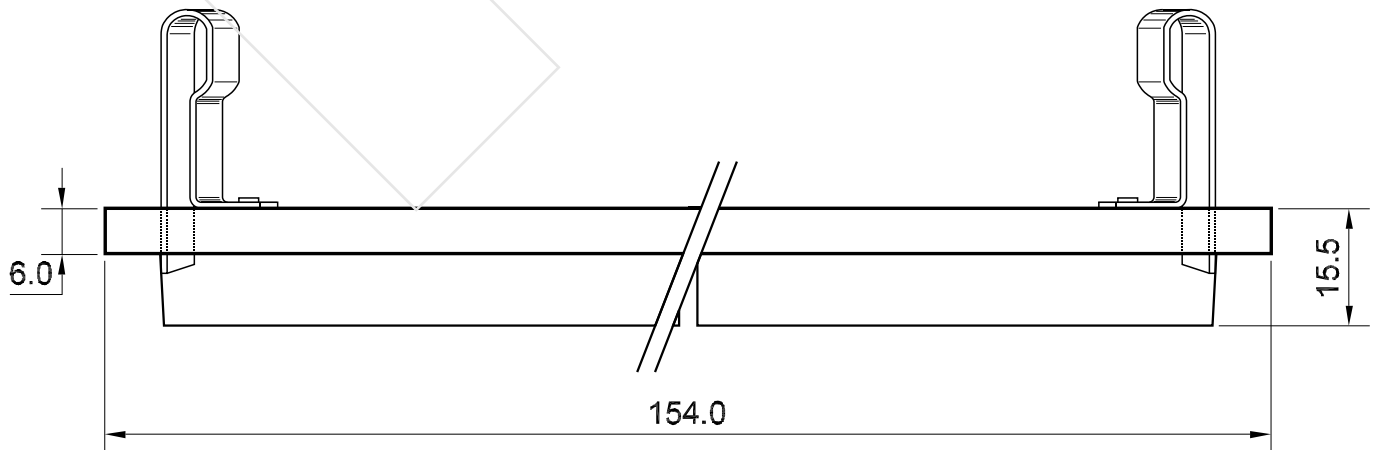
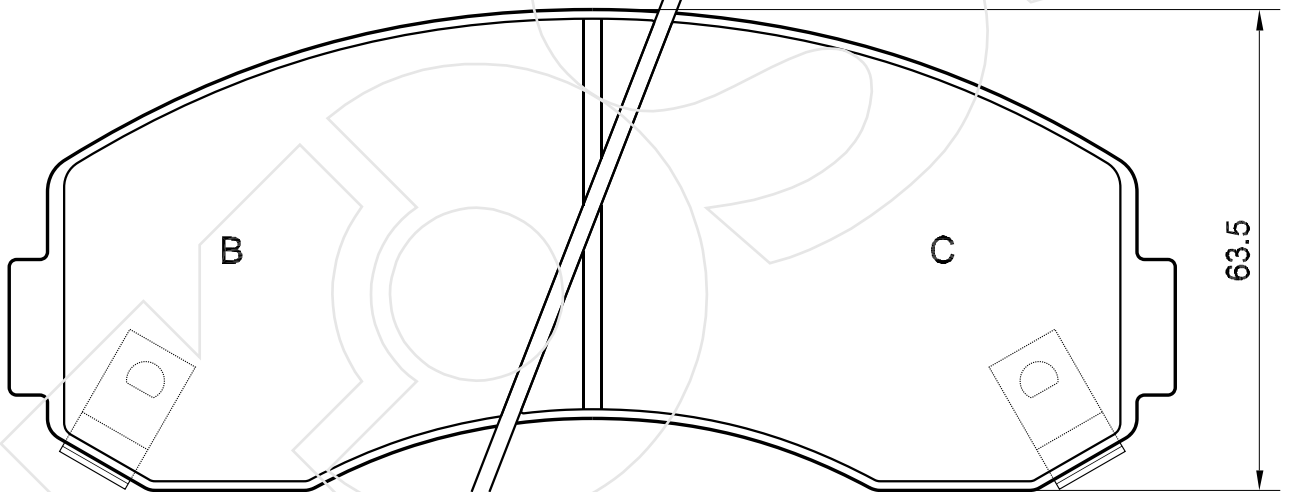
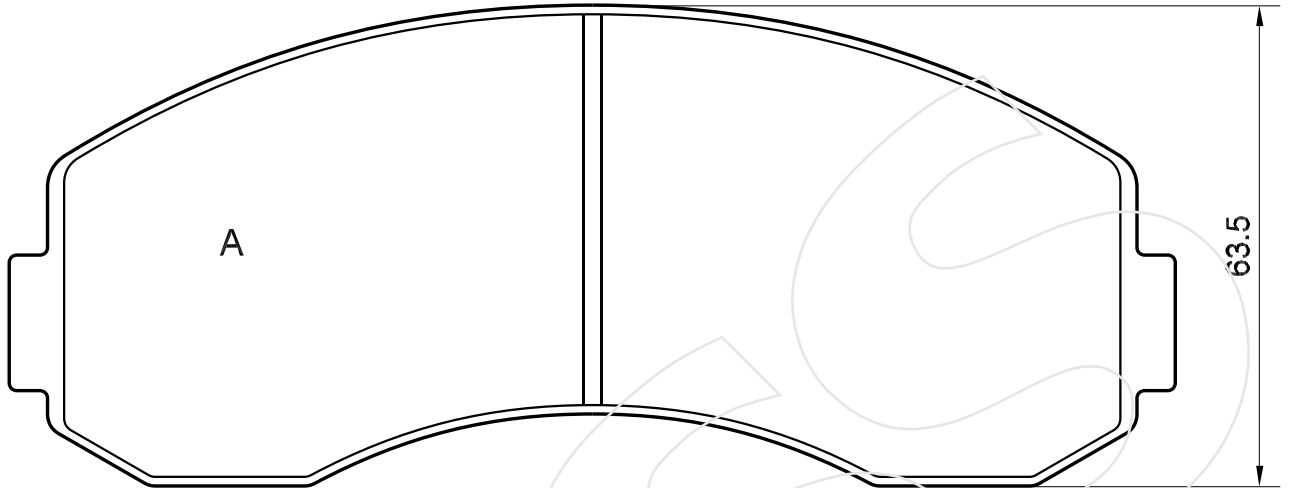
Reference in this Catalogue to other manufactures and to part numbers and other descriptions are for identification purposes only, because the above DISC BRAKE PADS are NOT ORIGINAL but with these interchangeable.

CODICE	IMPIANTO		ASSE	SCALA	APPLICAZIONI
<b>R-1043</b>	*		POSTERIORE	100%	HYUNDAI
CODICE COMPONENTI	N°	L(mm)	SERIE		
*	*	*	2 PEZZI TIPO A		
M0276	1	*	1 PEZZO TIPO B		
M0276	1	*	1 PEZZO TIPO C		
*	*	*	*		
OPTIONAL	N°	L(mm)	NOTE		
*	*	*	*		
*	*	*	*		
*	*	*	*		
*	*	*	*		



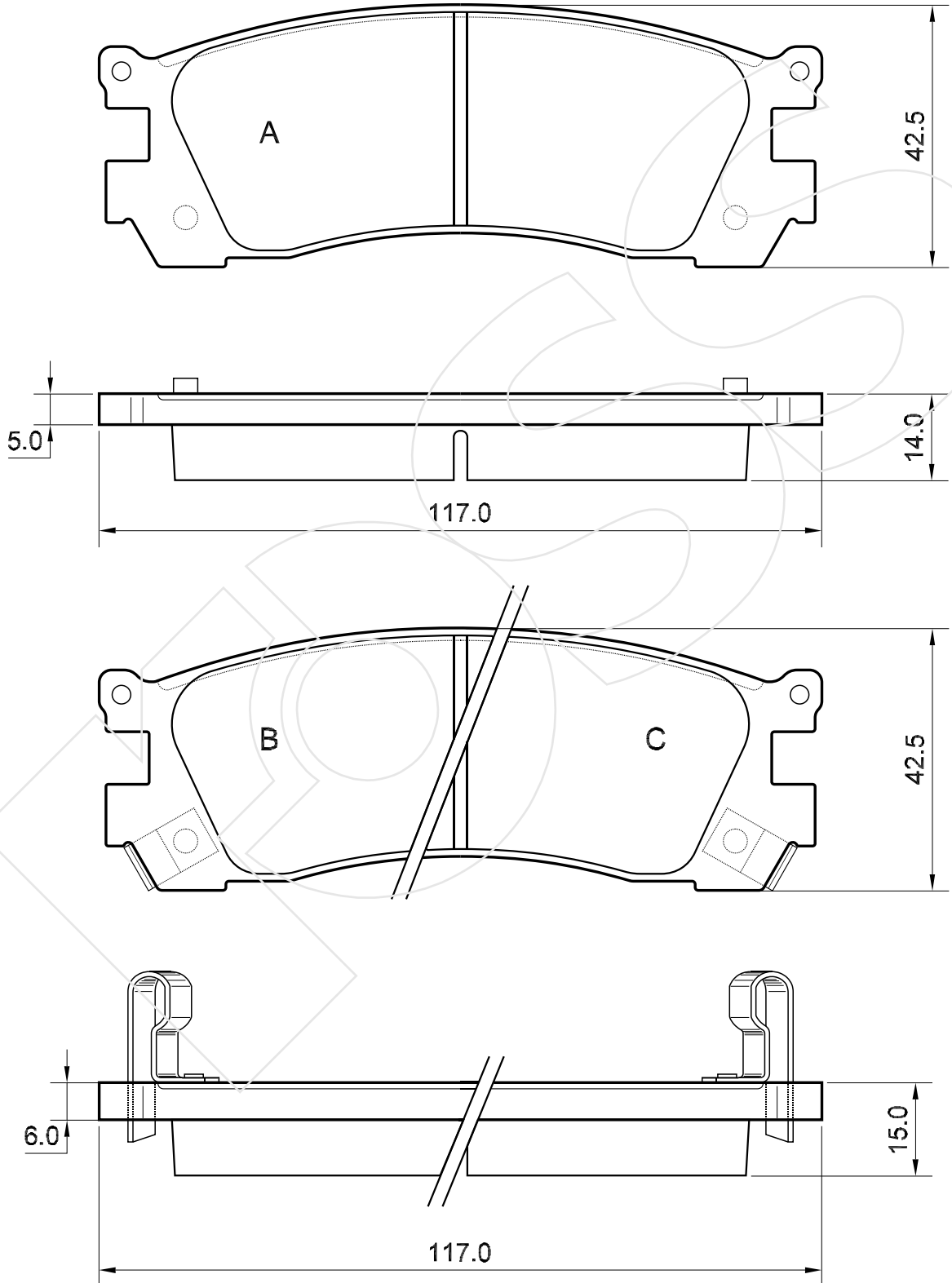
Reference in this Catalogue to other manufactures and to part numbers and other descriptions are for identification purposes only, because the above DISC BRAKE PADS are NOT ORIGINAL but with these interchangeable.

CODICE	IMPIANTO		ASSE	SCALA	APPLICAZIONI
<b>R-1044</b>	LUCAS		ANTERIORE	100%	ASIA MOTORS
CODICE COMPONENTI	N°	L(mm)	SERIE		
*	*	*	2 PEZZI TIPO A		
M0070	1	*	1 PEZZO TIPO B		
M0070	1	*	1 PEZZO TIPO C		
*	*	*	*		
OPTIONAL	N°	L(mm)	NOTE		
*	*	*	*		
*	*	*	*		
*	*	*	*		
*	*	*	*		



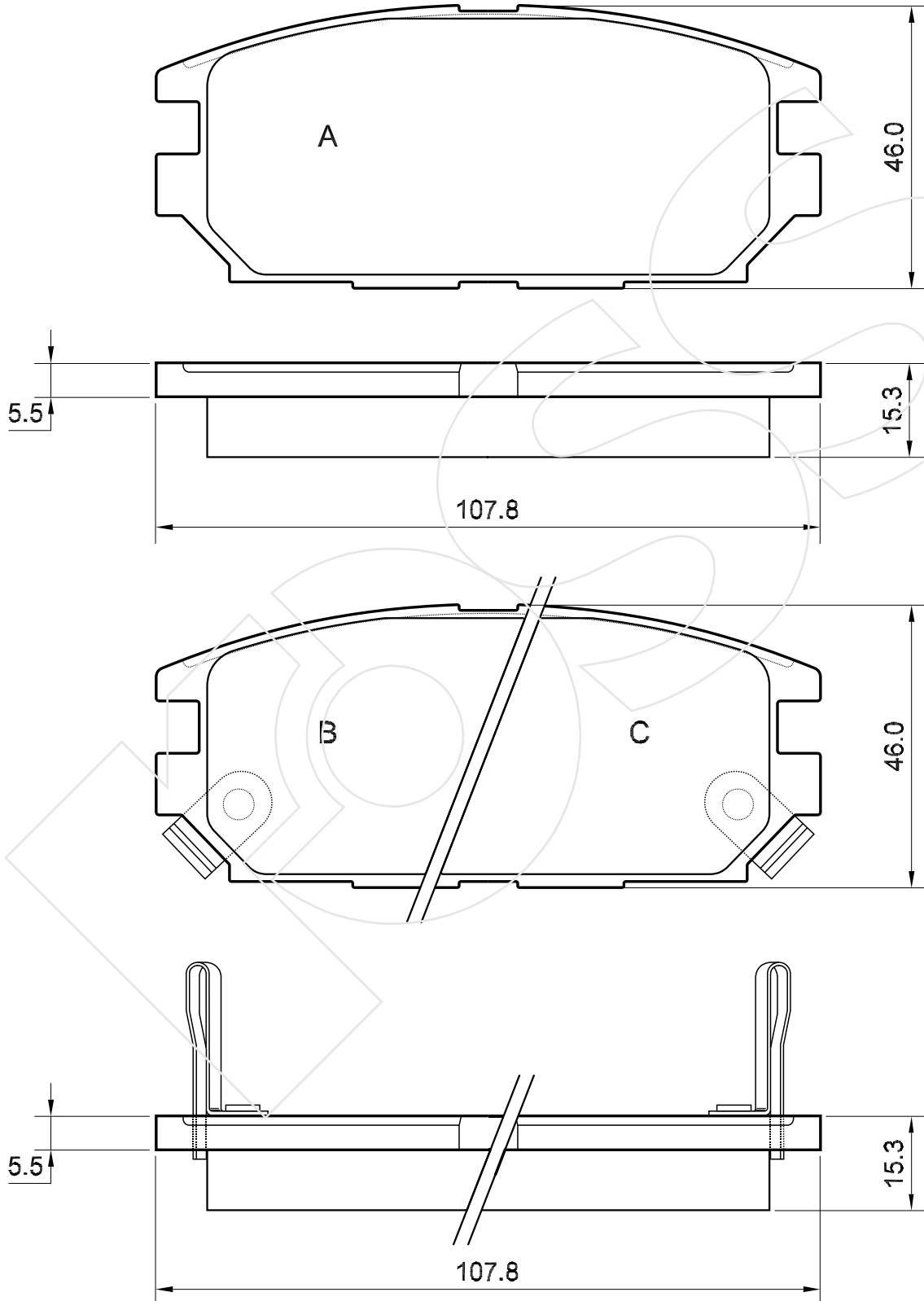
Reference in this Catalogue to other manufactures and to part numbers and other descriptions are for identification purposes only, because the above DISC BRAKE PADS are NOT ORIGINAL but with these interchangeable.

CODICE	IMPIANTO		ASSE	SCALA	APPLICAZIONI
<b>R-1045</b>	AKEBONO		POSTERIORE	100%	MAZDA
CODICE COMPONENTI	N°	L(mm)	SERIE		
*	*	*	2 PEZZI TIPO A		
M0069	1	*	1 PEZZO TIPO B		
M0069	1	*	1 PEZZO TIPO C		
*	*	*	*		
OPTIONAL	N°	L(mm)	NOTE		
*	*	*	*		
*	*	*	*		
*	*	*	*		
*	*	*	*		



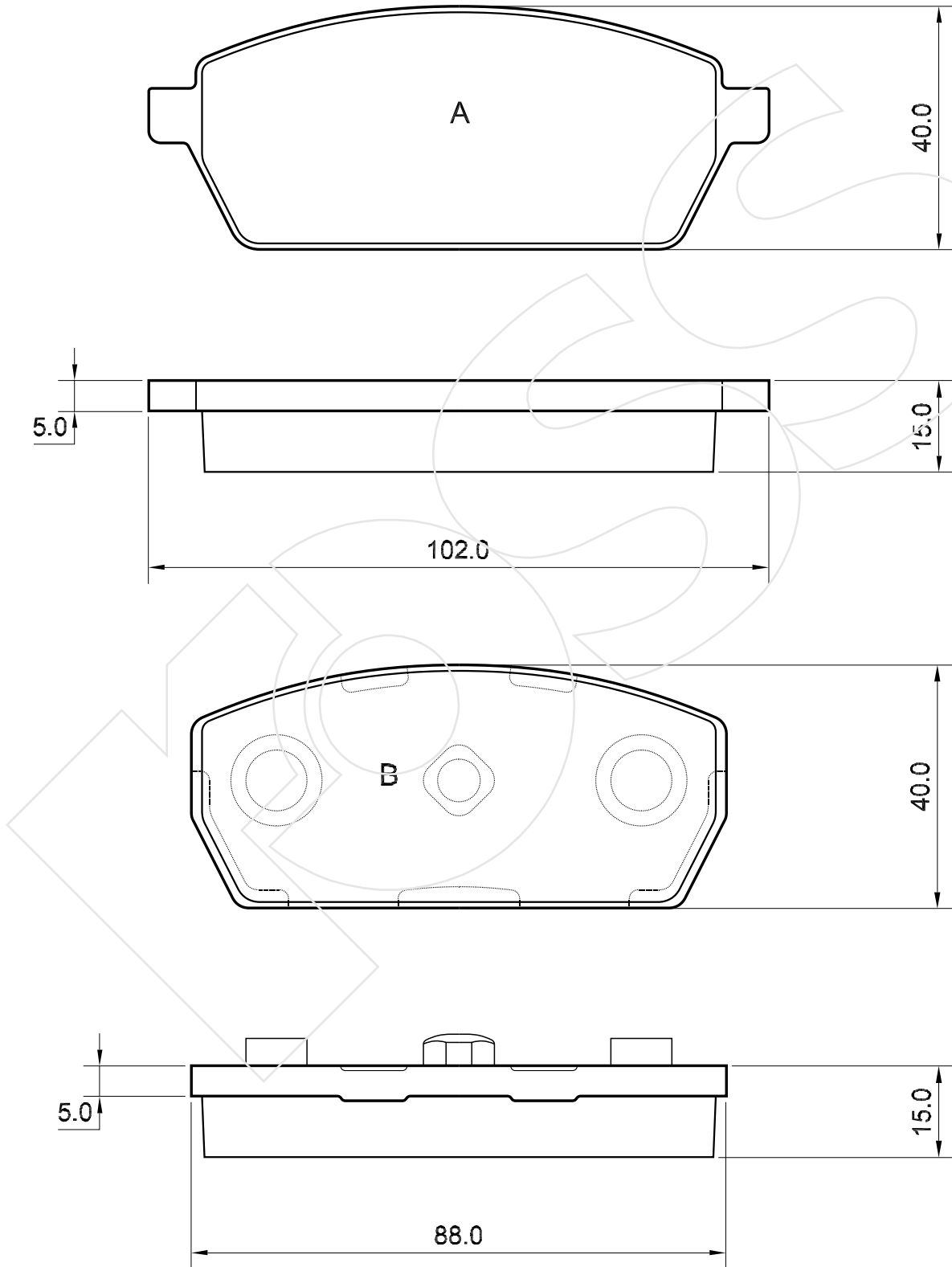
Reference in this Catalogue to other manufactures and to part numbers and other descriptions are for identification purposes only, because the above DISC BRAKE PADS are NOT ORIGINAL but with these interchangeable.

CODICE	IMPIANTO		ASSE	SCALA	APPLICAZIONI
<b>R-1046</b>	AKEBONO		POSTERIORE	100%	MITSUBISHI
CODICE COMPONENTI	N°	L(mm)	SERIE		
*	*	*	2 PEZZI TIPO A		
M0109	1	*	1 PEZZO TIPO B		
M0109	1	*	1 PEZZO TIPO C		
*	*	*	*		
OPTIONAL	N°	L(mm)	NOTE		
*	*	*	*		
*	*	*	*		
*	*	*	*		
*	*	*	*		



Reference in this Catalogue to other manufactures and to part numbers and other descriptions are for identification purposes only, because the above DISC BRAKE PADS are NOT ORIGINAL but with these interchangeable.

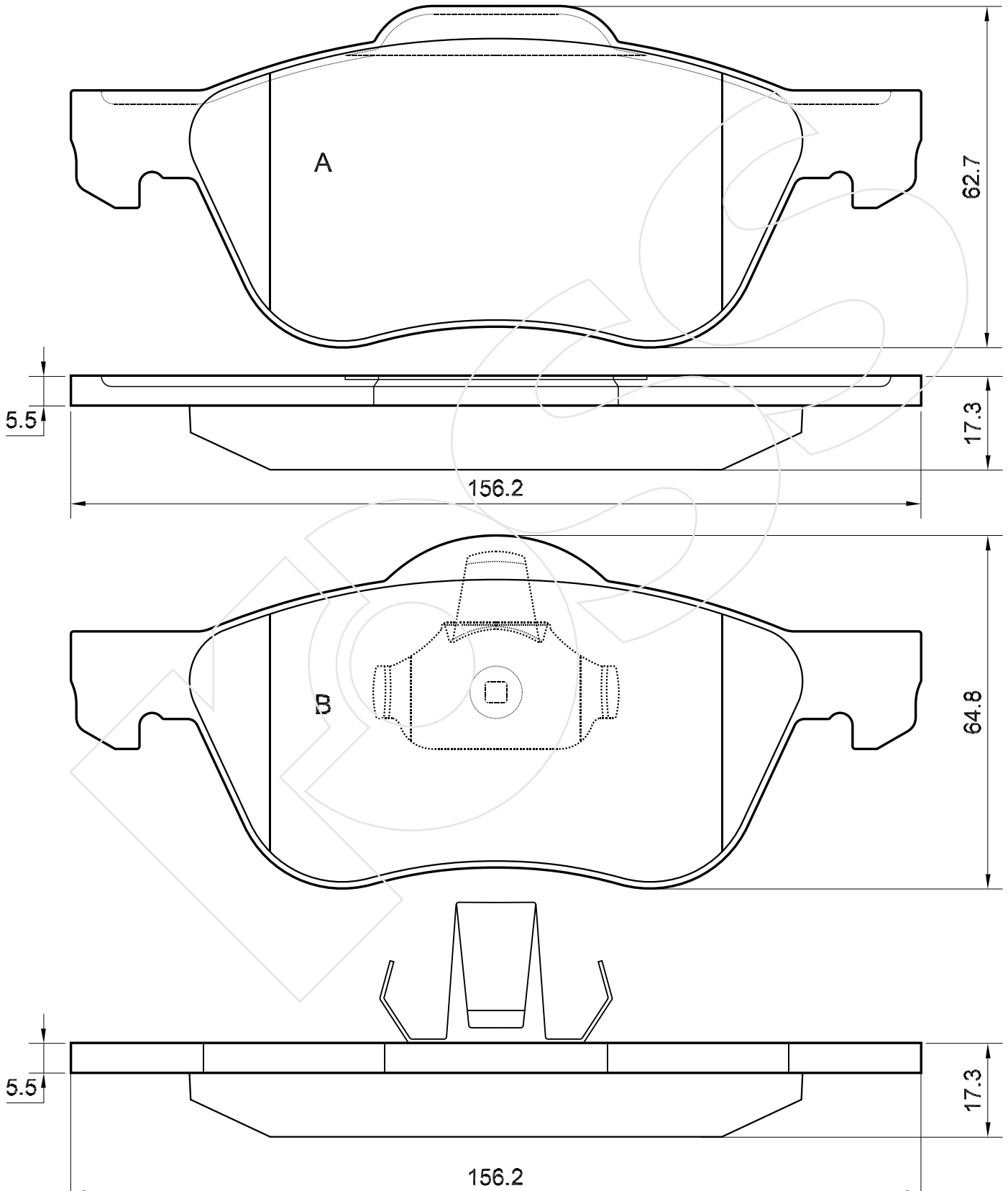
CODICE	IMPIANTO	ASSE	SCALA	APPLICAZIONI
<b>R-1047</b>	AKEBONO	ANTERIORE	100%	SUZUKI
CODICE COMPONENTI	N°	L(mm)	SERIE	
*	*	*	2 PEZZI TIPO A	
*	*	*	2 PEZZI TIPO B	
*	*	*	*	
*	*	*	*	
OPTIONAL	N°	L(mm)	NOTE	
*	*	*	*	
*	*	*	*	
*	*	*	*	
*	*	*	*	



Reference in this Catalogue to other manufactures and to part numbers and other descriptions are for identification purposes only, because the above DISC BRAKE PADS are NOT ORIGINAL but with these interchangeable.

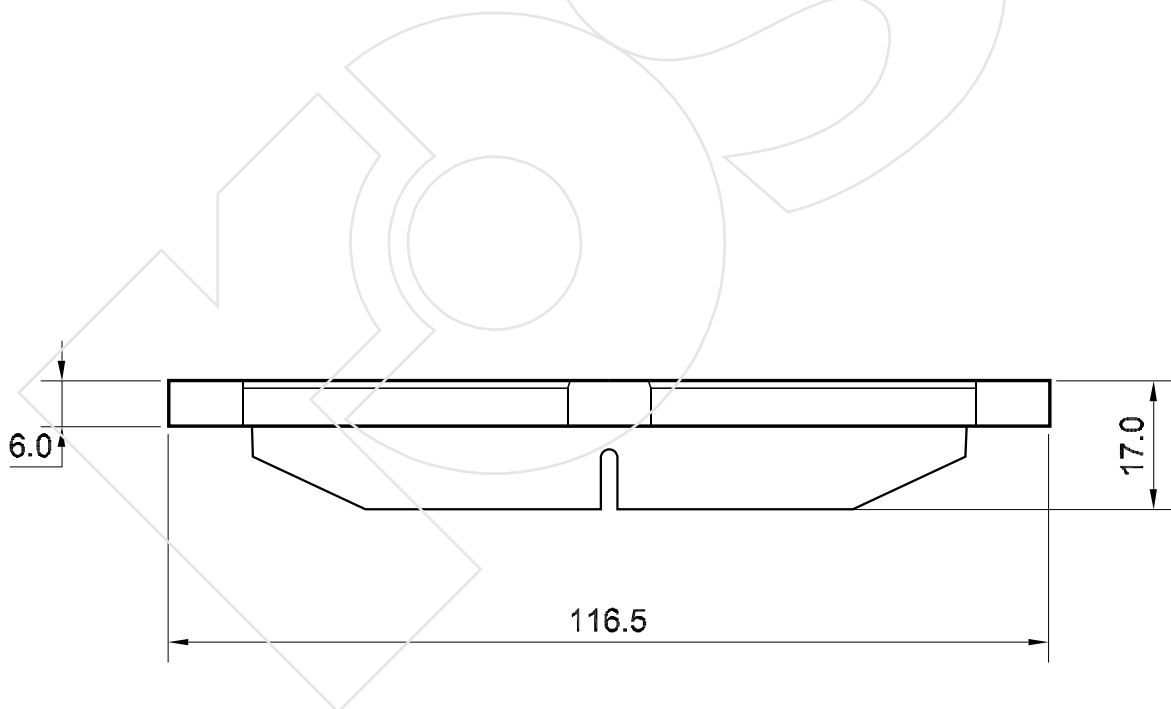
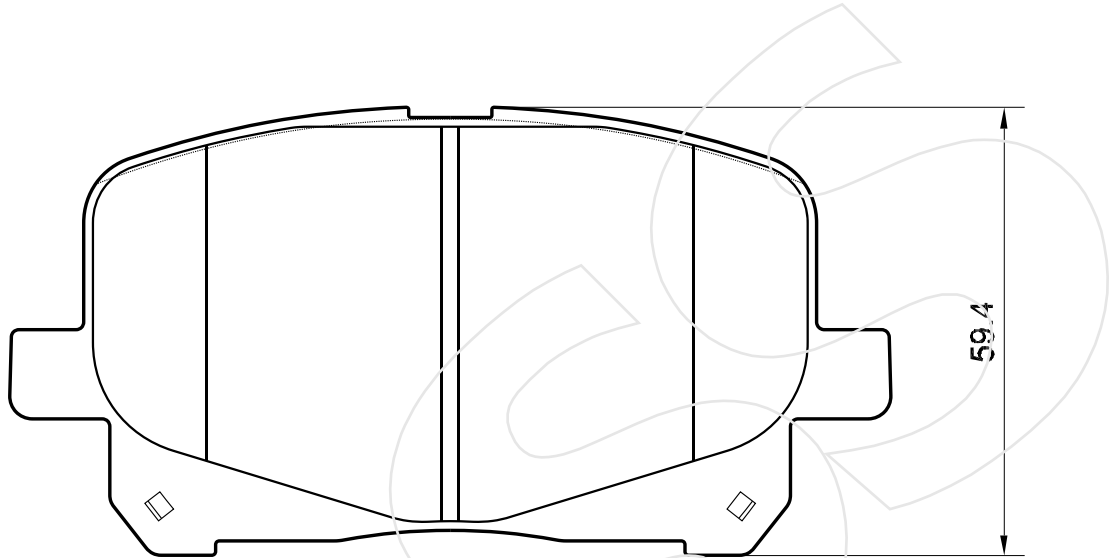


CODICE	IMPIANTO		ASSE	SCALA	APPLICAZIONI
<b>R-1048</b>	ATE		ANTERIORE	100%	NISSAN
CODICE COMPONENTI	N°	L(mm)	SERIE		
*	*	*	2 PEZZI TIPO A		
M0132	2	*	2 PEZZI TIPO B		
*	*	*	*		
*	*	*	*		
OPTIONAL	N°	L(mm)	NOTE		
*	*	*	*		
*	*	*	*		
*	*	*	*		
*	*	*	*		



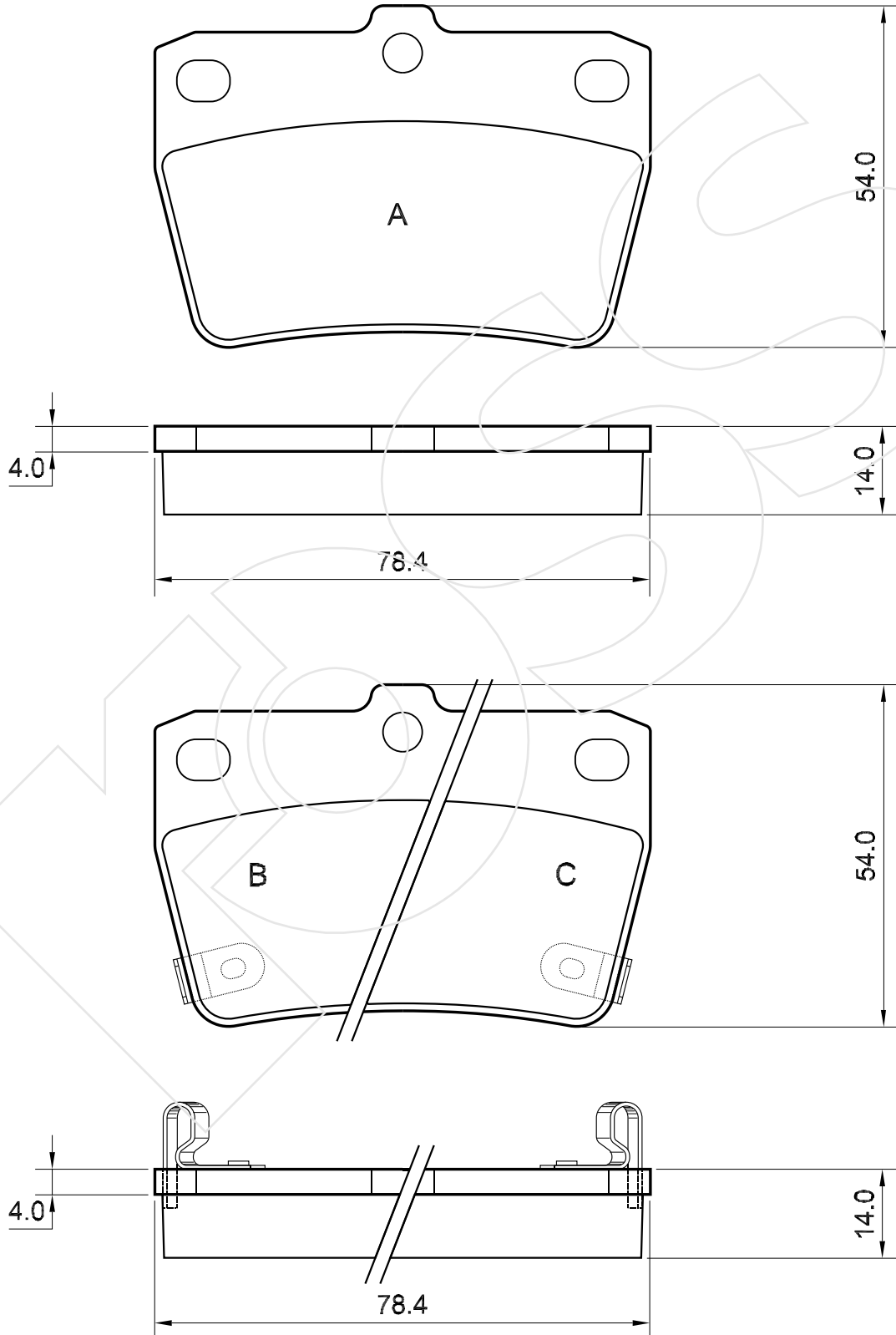
Reference in this Catalogue to other manufactures and to part numbers and other descriptions are for identification purposes only, because the above DISC BRAKE PADS are NOT ORIGINAL but with these interchangeable.

CODICE	IMPIANTO		ASSE	SCALA	APPLICAZIONI
<b>R-1049</b>	AKEBONO		ANTERIORE	100%	TOYOTA
CODICE COMPONENTI	N°	L(mm)	SERIE		
*	*	*	4 PEZZI		
*	*	*	*		
*	*	*	*		
*	*	*	*		
OPTIONAL	N°	L(mm)	NOTE		
*	*	*	*		
*	*	*	*		
*	*	*	*		
*	*	*	*		



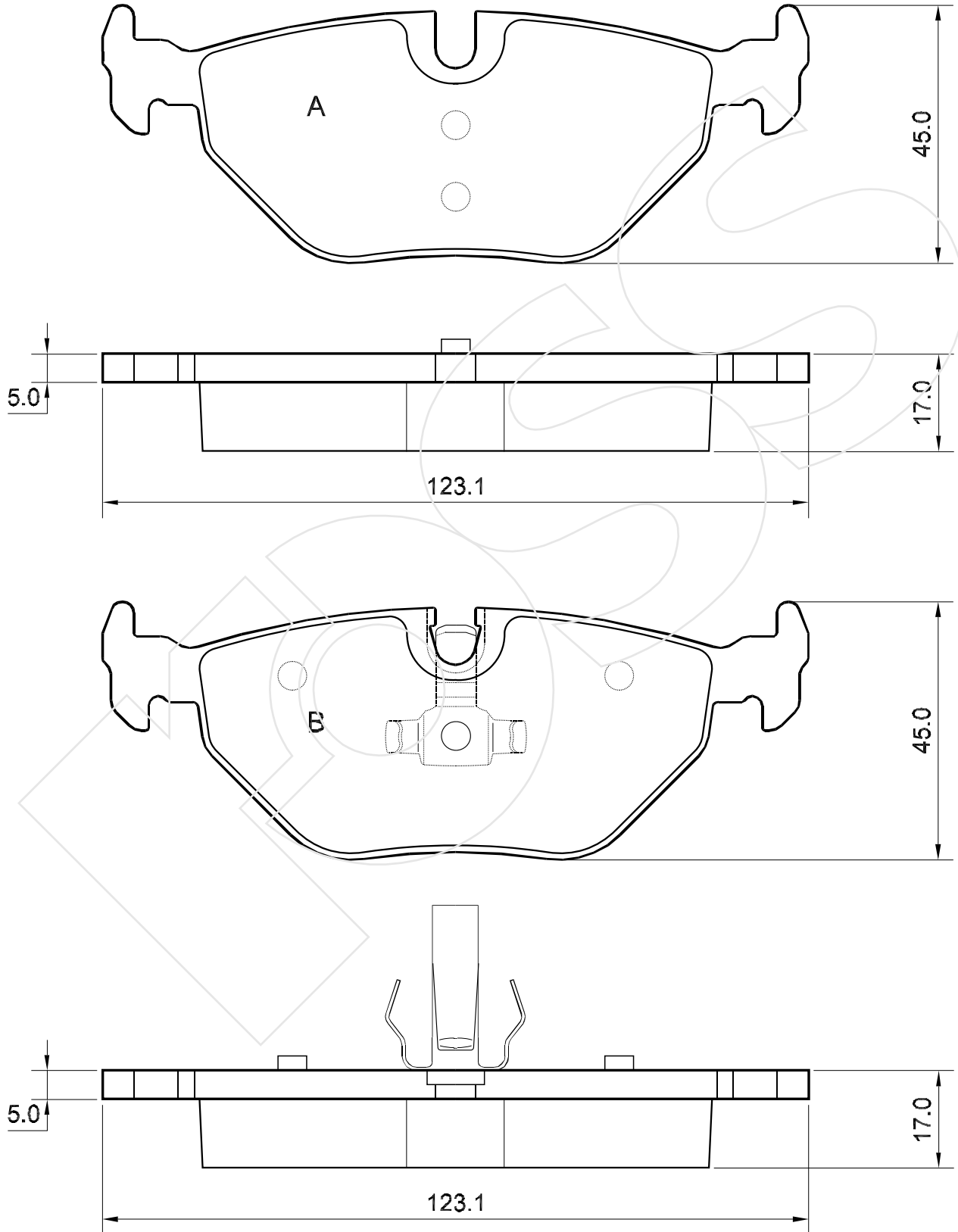
Reference in this Catalogue to other manufactures and to part numbers and other descriptions are for identification purposes only, because the above DISC BRAKE PADS are NOT ORIGINAL but with these interchangeable.

CODICE	IMPIANTO		ASSE	SCALA	APPLICAZIONI
<b>R-1050</b>	AKEBONO		POSTERIORE	100%	TOYOTA
CODICE COMPONENTI	N°	L(mm)	SERIE		
*	*	*	2 PEZZI TIPO A		
M0255	1	*	1 PEZZO TIPO B		
M0255	1	*	1 PEZZO TIPO C		
*	*	*	*		
OPTIONAL	N°	L(mm)	NOTE		
*	*	*	*		
*	*	*	*		
*	*	*	*		
*	*	*	*		



Reference in this Catalogue to other manufactures and to part numbers and other descriptions are for identification purposes only, because the above DISC BRAKE PADS are NOT ORIGINAL but with these interchangeable.

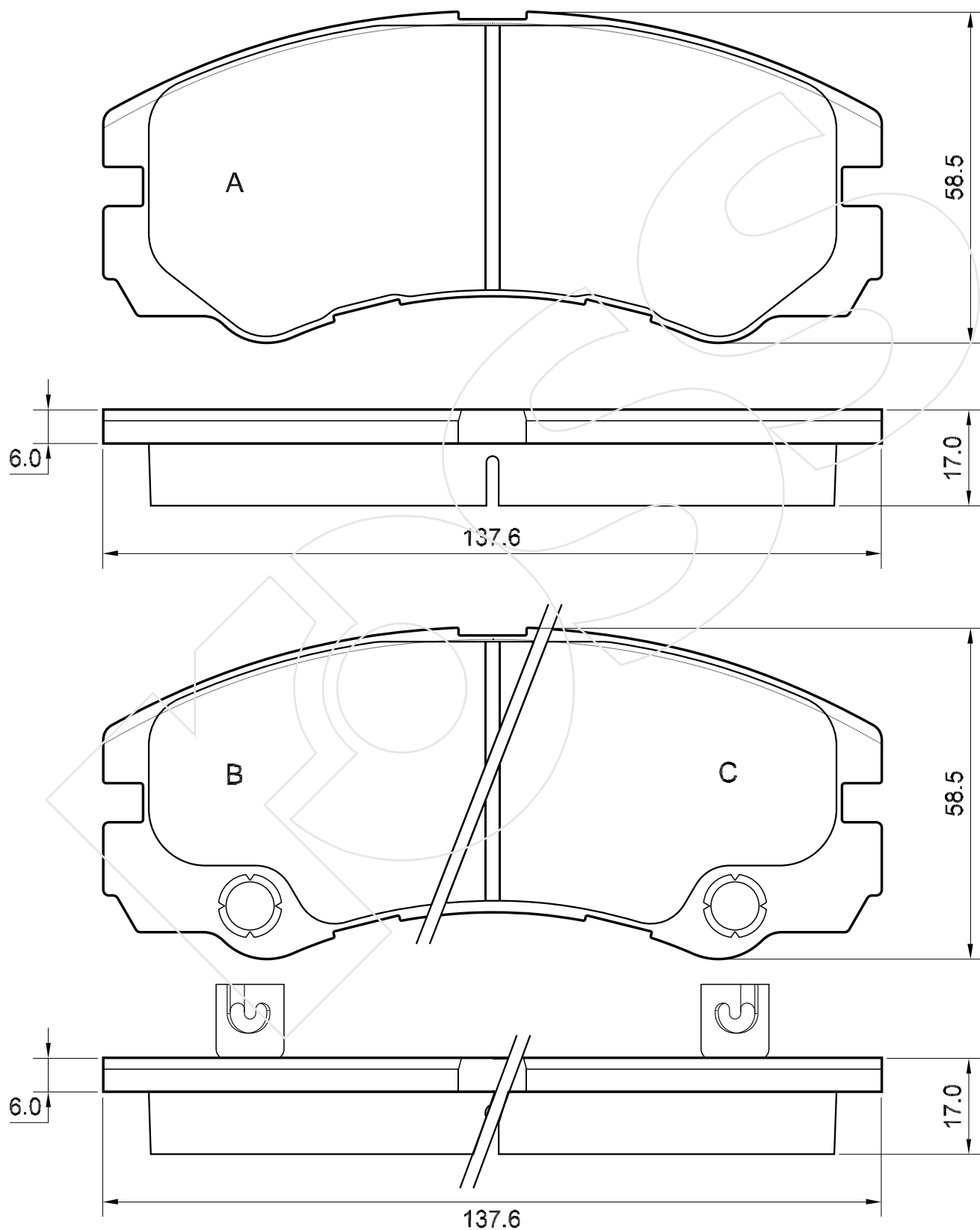
CODICE	IMPIANTO		ASSE	SCALA	APPLICAZIONI
<b>R-1051</b>	ATE		POSTERIORE	100%	BMW
CODICE COMPONENTI	N°	L(mm)	SERIE		ROVER
*	*	*	2 PEZZI TIPO A		
M0175	2	*	2 PEZZI TIPO B		
*	*	*	*		
*	*	*	*		
OPTIONAL	N°	L(mm)	NOTE		
*	*	*	*		
*	*	*	*		
*	*	*	*		
*	*	*	*		



Reference in this Catalogue to other manufactures and to part numbers and other descriptions are for identification purposes only, because the above DISC BRAKE PADS are NOT ORIGINAL but with these interchangeable.

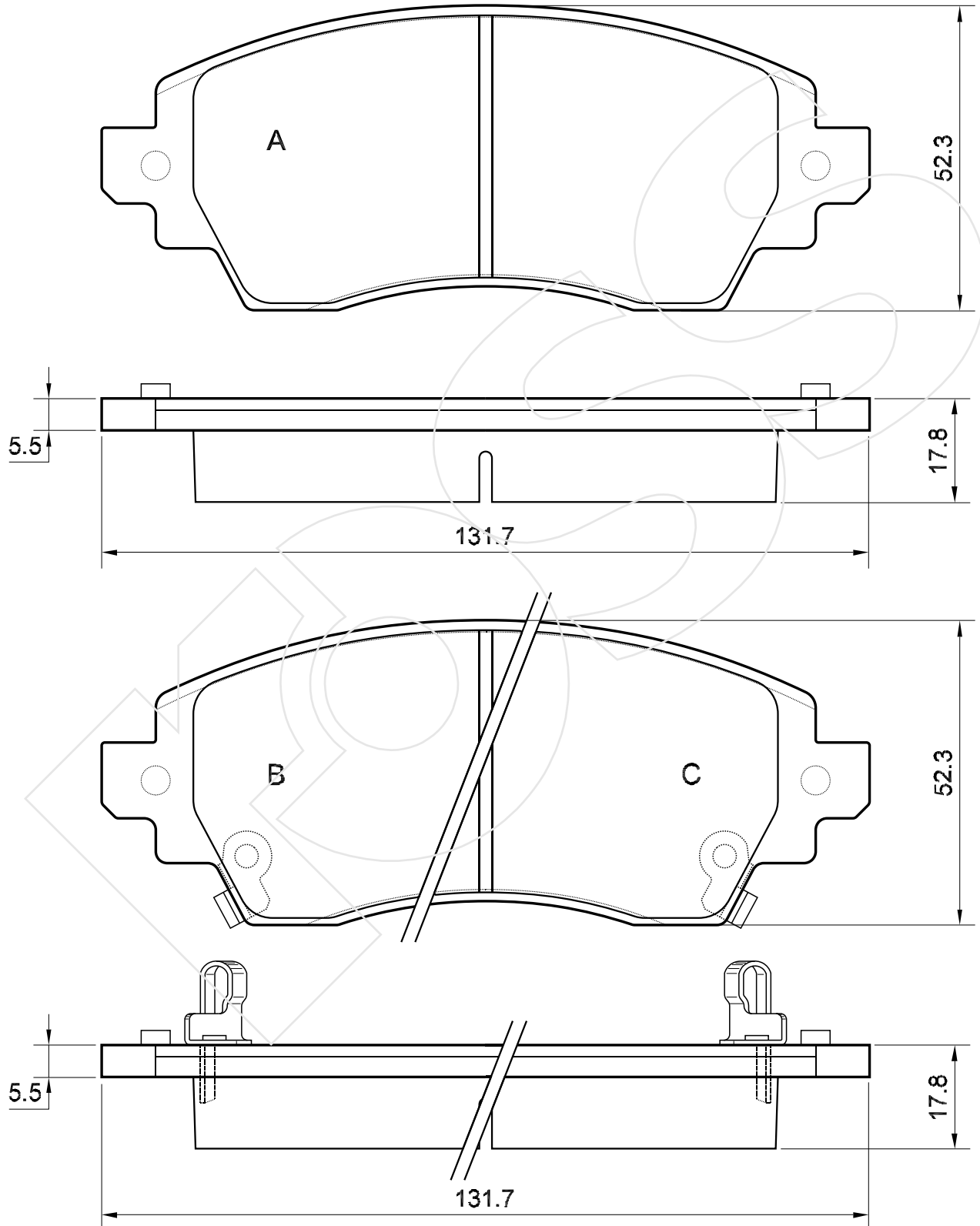
CODICE	IMPIANTO		ASSE	SCALA	APPLICAZIONI
<b>R-1052</b>	SUMITOMO		ANTERIORE	100%	OPEL
CODICE COMPONENTI	N°	L(mm)	SERIE		
*	*	*	2 PEZZI TIPO A		
B2004	1	*	1 PEZZO TIPO B		
B2004	1	*	1 PEZZO TIPO C		
*	*	*	*		
OPTIONAL	N°	L(mm)	NOTE		
*	*	*	*		
*	*	*	*		
*	*	*	*		
*	*	*	*		

VAUXHALL



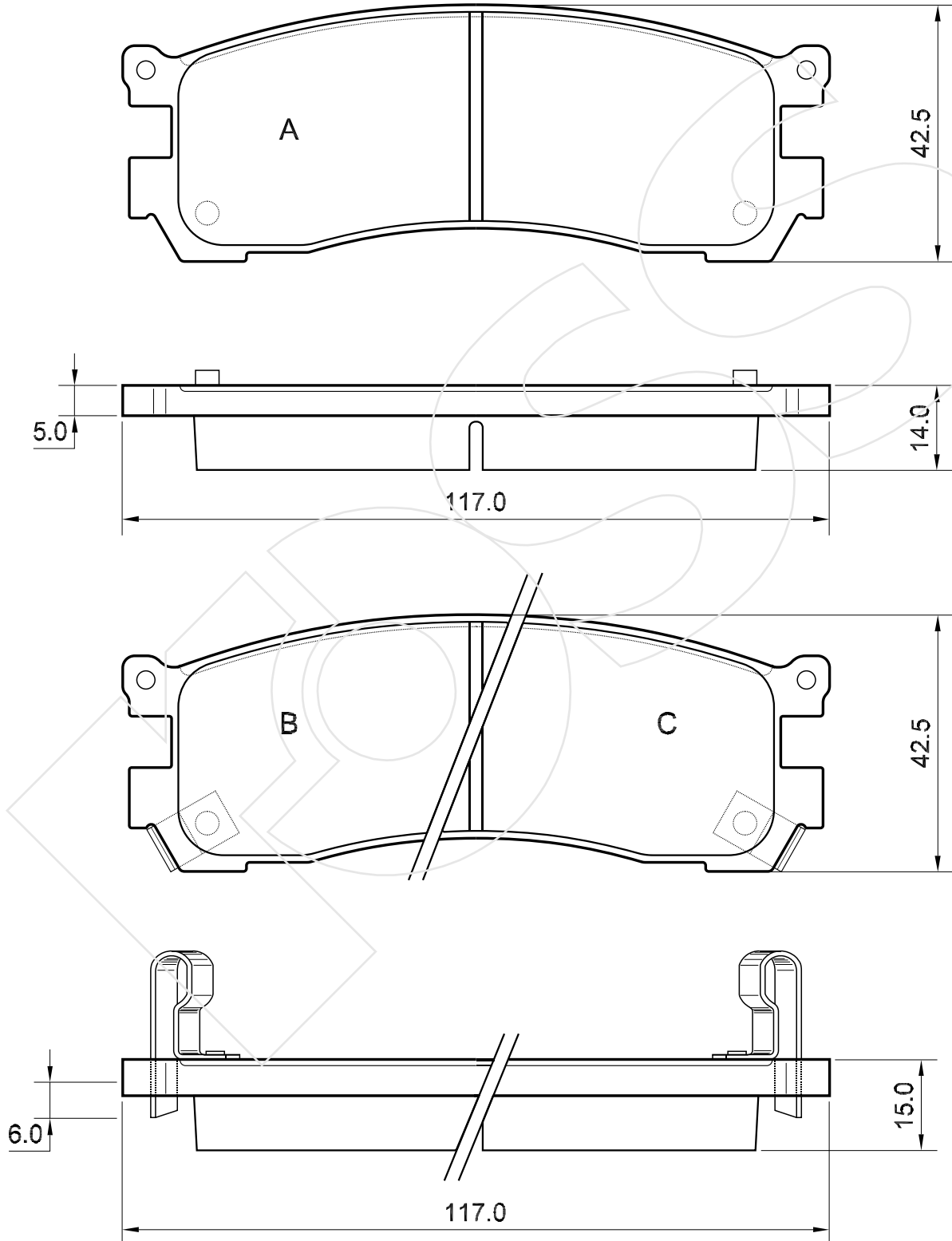
Reference in this Catalogue to other manufactures and to part numbers and other descriptions are for identification purposes only, because the above DISC BRAKE PADS are NOT ORIGINAL but with these interchangeable.

CODICE	IMPIANTO		ASSE	SCALA	APPLICAZIONI
<b>R-1053</b>	AKEBONO		ANTERIORE	100%	TOYOTA
CODICE COMPONENTI	N°	L(mm)	SERIE		
*	*	*	2 PEZZI TIPO A		
M0094	*	*	1 PEZZO TIPO B		
M0095	*	*	1 PEZZO TIPO C		
*	*	*	*		
OPTIONAL	N°	L(mm)	NOTE		
*	*	*	*		
*	*	*	*		
*	*	*	*		
*	*	*	*		



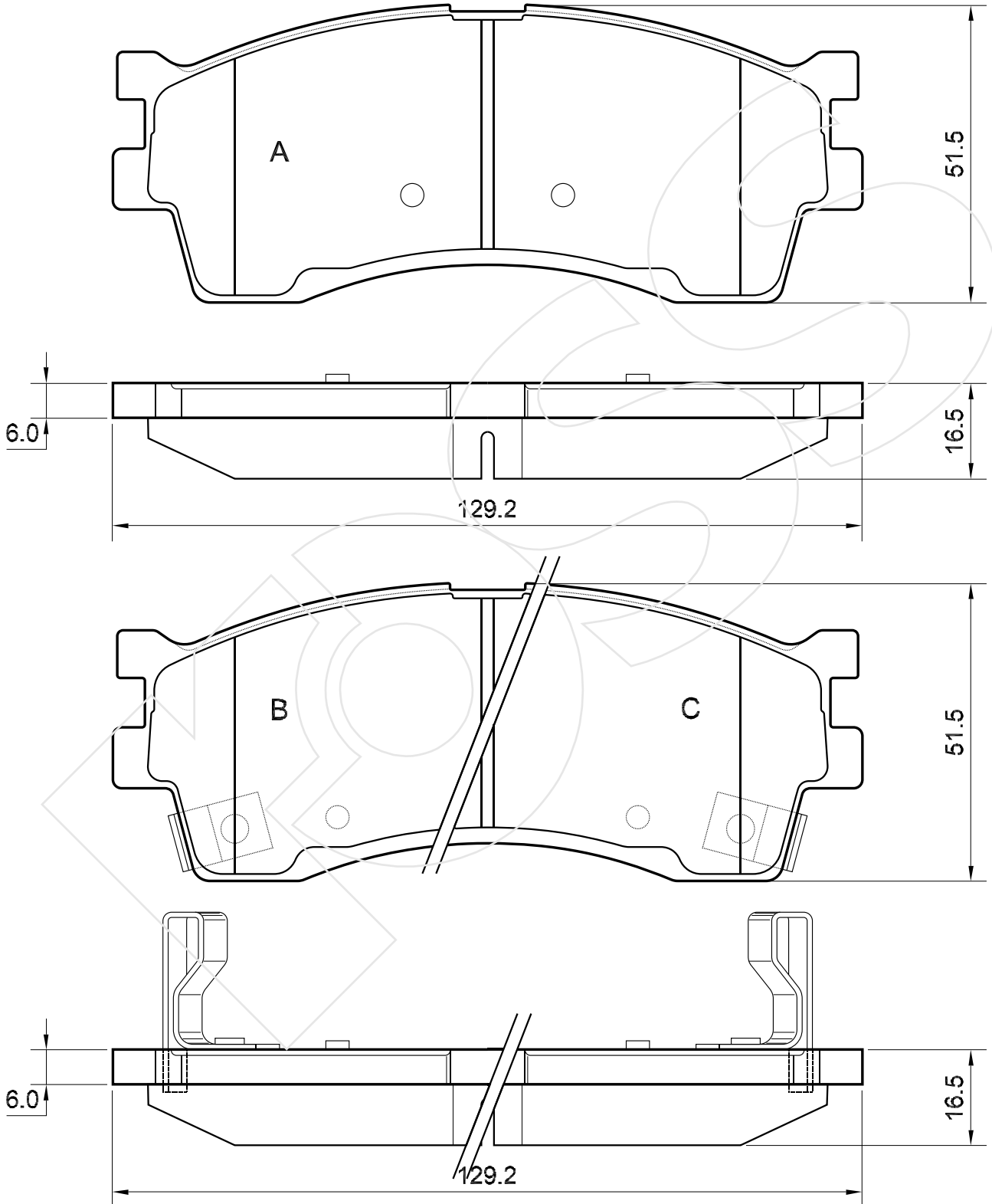
Reference in this Catalogue to other manufactures and to part numbers and other descriptions are for identification purposes only, because the above DISC BRAKE PADS are NOT ORIGINAL but with these interchangeable.

CODICE	IMPIANTO		ASSE	SCALA	APPLICAZIONI
<b>R-1054</b>	AKEBONO		POSTERIORE	100%	MAZDA
CODICE COMPONENTI	N°	L(mm)	SERIE		
*	*	*	2 PEZZI TIPO A		
M0277	1	*	1 PEZZO TIPO B		
M0277	1	*	1 PEZZO TIPO C		
*	*	*	*		
OPTIONAL	N°	L(mm)	NOTE		
*	*	*	*		
*	*	*	*		
*	*	*	*		
*	*	*	*		



Reference in this Catalogue to other manufactures and to part numbers and other descriptions are for identification purposes only, because the above DISC BRAKE PADS are NOT ORIGINAL but with these interchangeable.

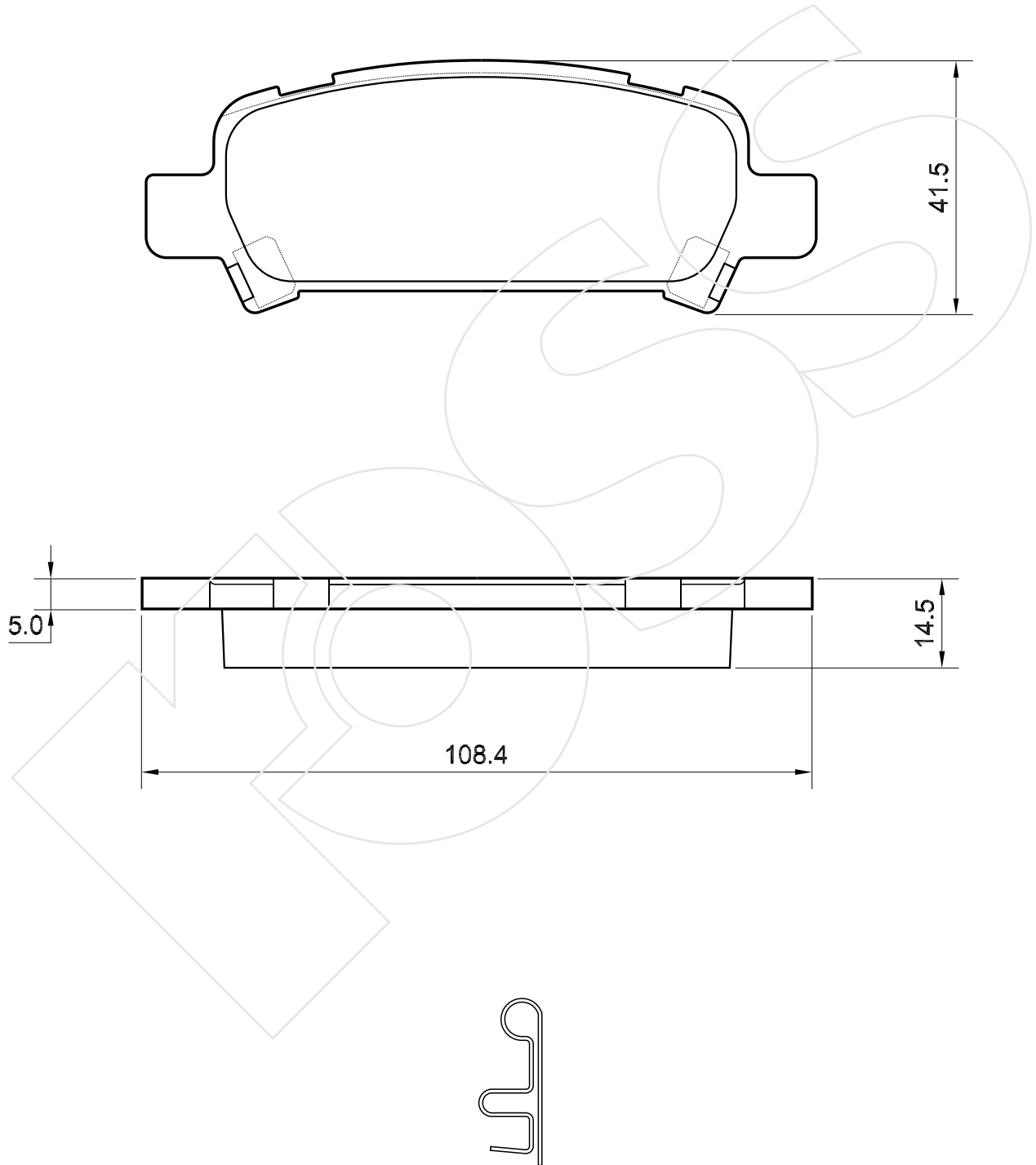
CODICE	IMPIANTO		ASSE	SCALA	APPLICAZIONI
<b>R-1055</b>	SUMITOMO		ANTERIORE	100%	KIA
CODICE COMPONENTI	N°	L(mm)	SERIE		
*	*	*	2 PEZZI TIPO A		
M0279	1	*	1 PEZZO TIPO B		
M0279	1	*	1 PEZZO TIPO C		
*	*	*	*		
*	*	*	*		
OPTIONAL	N°	L(mm)	NOTE		
*	*	*	*		
*	*	*	*		
*	*	*	*		
*	*	*	*		



Reference in this Catalogue to other manufactures and to part numbers and other descriptions are for identification purposes only, because the above DISC BRAKE PADS are NOT ORIGINAL but with these interchangeable.

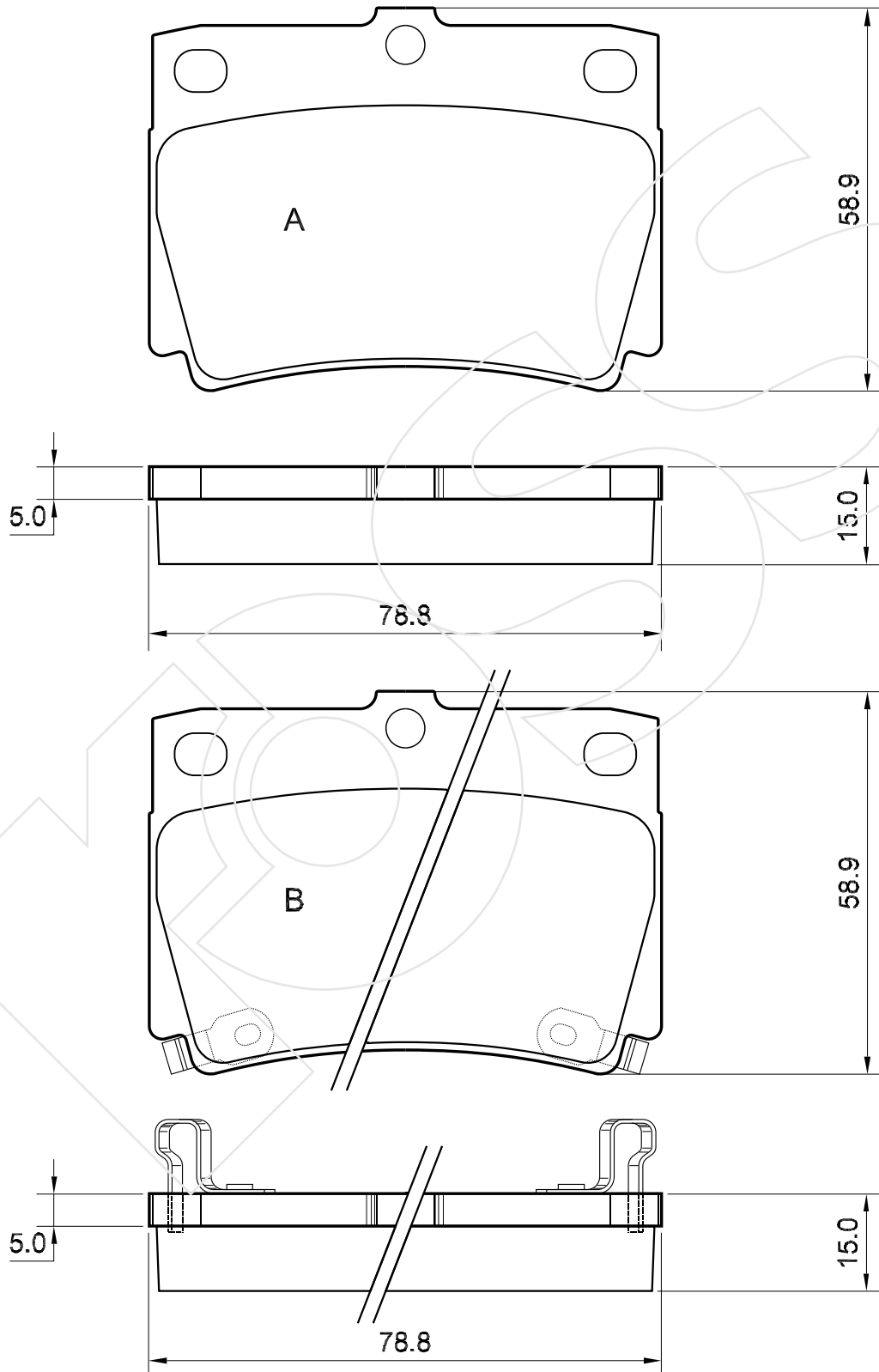


CODICE	IMPIANTO		ASSE	SCALA	APPLICAZIONI
<b>R-1056</b>	AKEBONO		POSTERIORE	100%	SUBARU
CODICE COMPONENTI	N°	L(mm)	SERIE		
*	*	*	4 PEZZI		
M0251	2	*	*		
*	*	*	*		
*	*	*	*		
OPTIONAL	N°	L(mm)	NOTE		
*	*	*	*		
*	*	*	*		
*	*	*	*		
*	*	*	*		



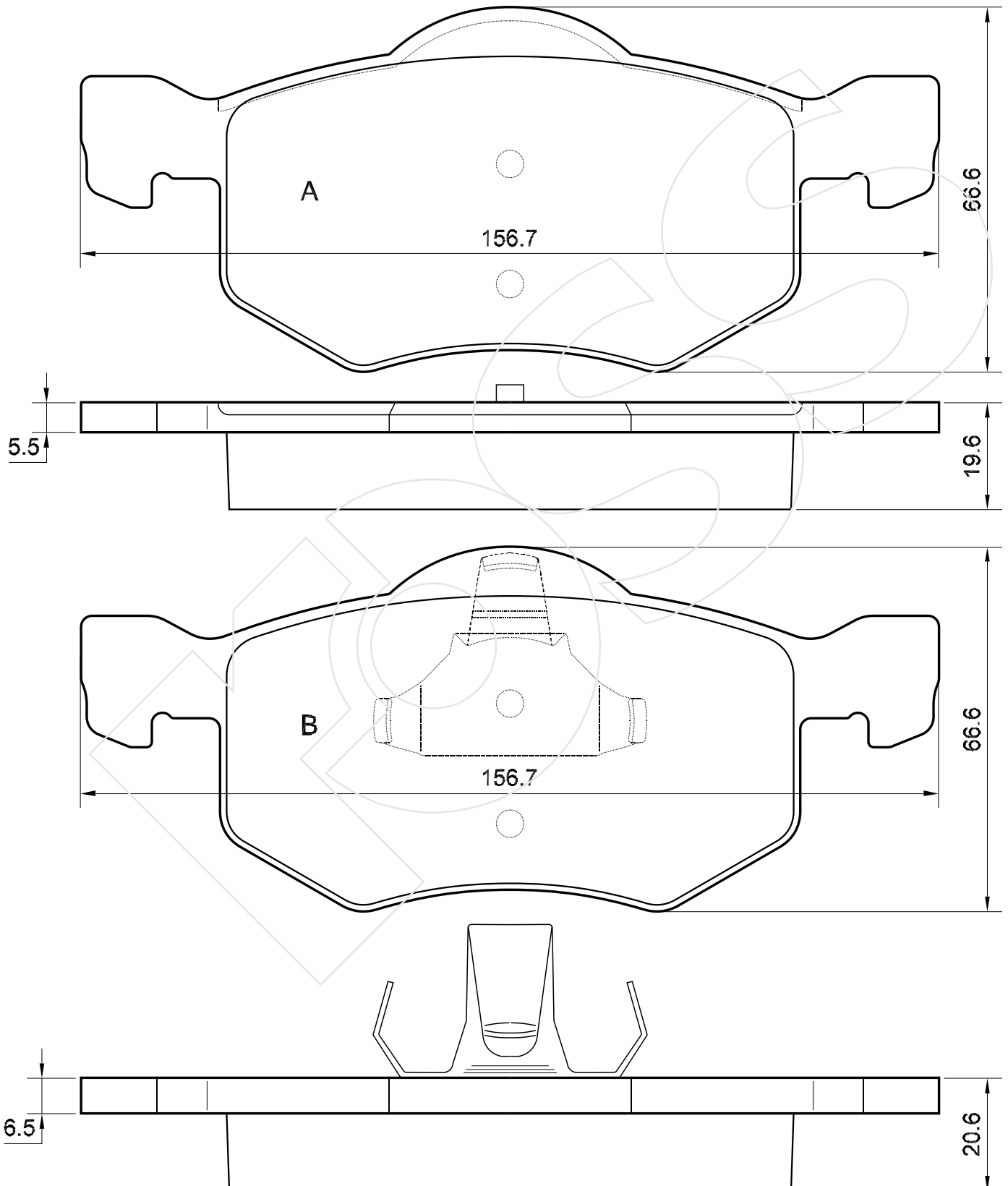
Reference in this Catalogue to other manufactures and to part numbers and other descriptions are for identification purposes only, because the above DISC BRAKE PADS are NOT ORIGINAL but with these interchangeable.

CODICE	IMPIANTO		ASSE	SCALA	APPLICAZIONI
<b>R-1057</b>	SUMITOMO		POSTERIORE	1:1	MITSUBISHI
CODICE COMPONENTI	N°	L(mm)	SERIE		
*	*	*	2 PEZZI TIPO A		
M0280	2	*	2 PEZZI TIPO B		
*	*	*	*		
*	*	*	*		
CODICE ACCESSORI	N°	L(mm)	NOTE		
*	*	*	*		
*	*	*	*		
*	*	*	*		
*	*	*	*		



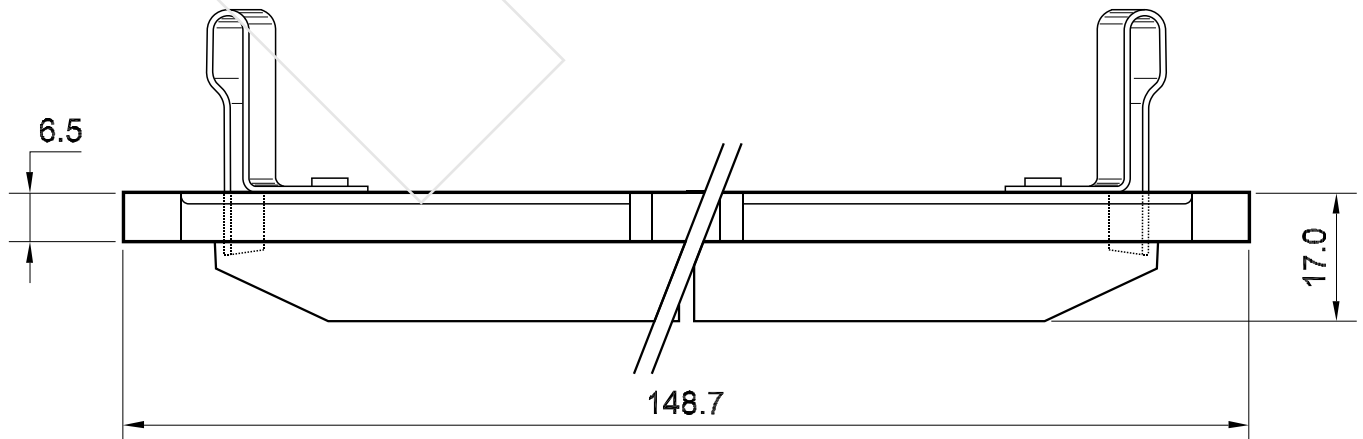
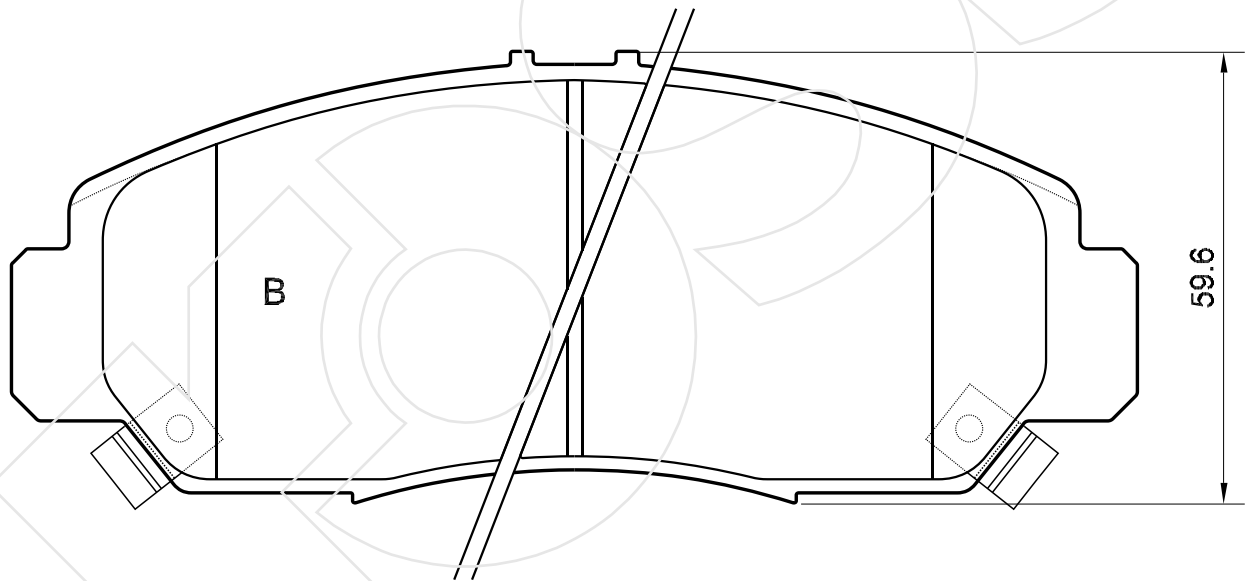
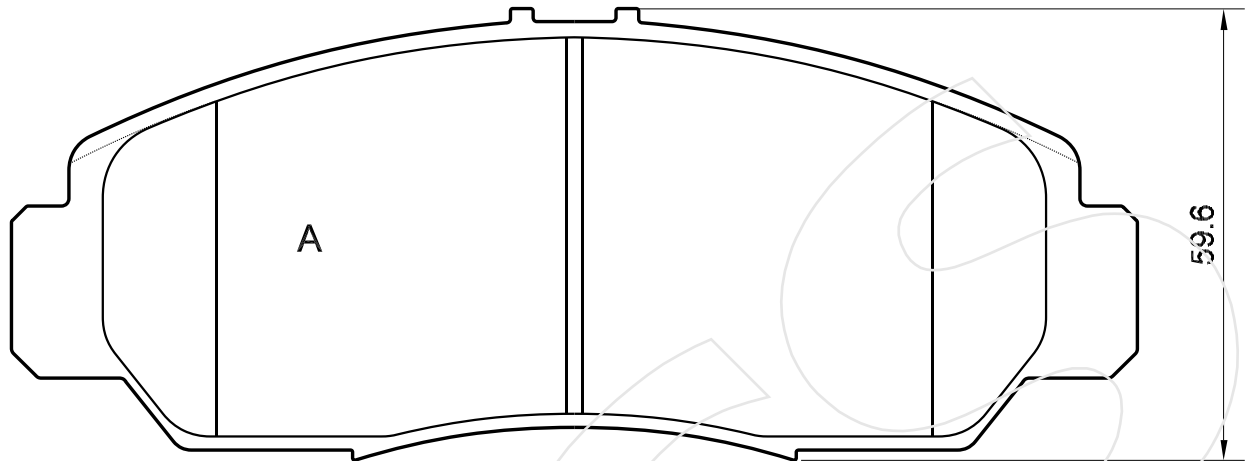
Reference in this Catalogue to other manufactures and to part numbers and other descriptions are for identification purposes only, because the above DISC BRAKE PADS are NOT ORIGINAL but with these interchangeable.

CODICE	IMPIANTO		ASSE	SCALA	APPLICAZIONI
<b>R-1058</b>	ATE		ANTERIORE	1:1	FORD MAZDA
CODICE COMPONENTI	N°	L(mm)	SERIE		
*	*	*	2 PEZZI TIPO A		
M0282	2	*	2 PEZZI TIPO B		
*	*	*	*		
*	*	*	*		
CODICE ACCESSORI	N°	L(mm)	NOTE		
*	*	*	*		
*	*	*	*		
*	*	*	*		
*	*	*	*		



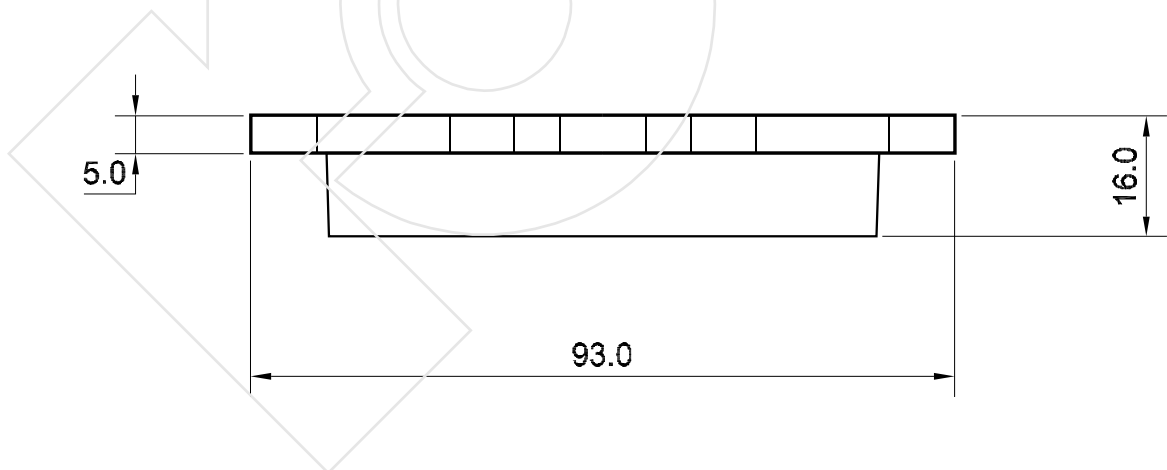
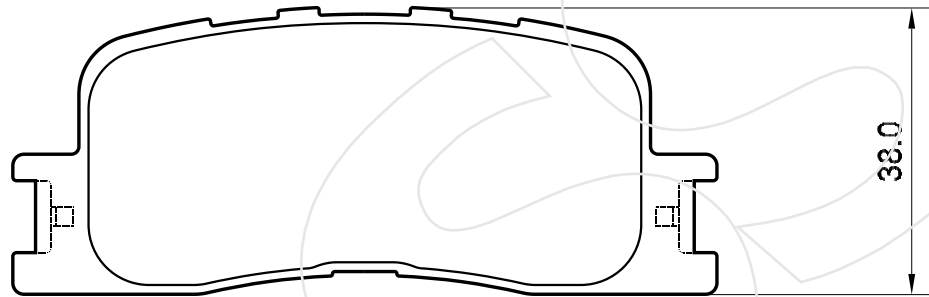
Reference in this Catalogue to other manufactures and to part numbers and other descriptions are for identification purposes only, because the above DISC BRAKE PADS are NOT ORIGINAL but with these interchangeable.

CODICE	IMPIANTO	ASSE	SCALA	APPLICAZIONI
<b>R-1059</b>	SUMITOMO	ANTERIORE	1:1	HONDA
CODICE COMPONENTI	N°	L(mm)	SERIE	
*	*	*	2 PEZZI TIPO A	
M0281	2	*	2 PEZZI TIPO B	
*	*	*	*	
*	*	*	*	
CODICE ACCESSORI	N°	L(mm)	NOTE	
*	*	*	*	
*	*	*	*	
*	*	*	*	
*	*	*	*	



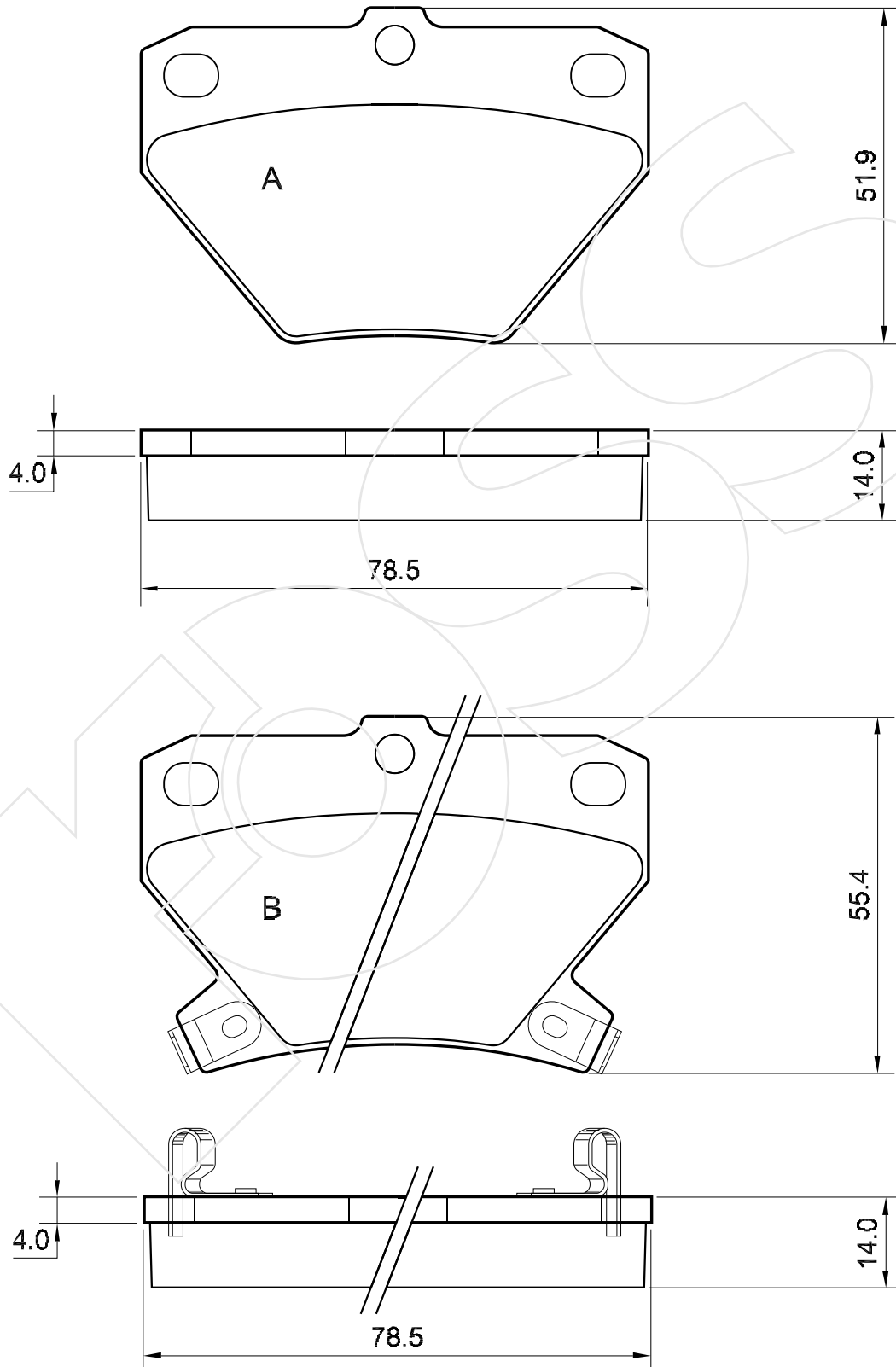
Reference in this Catalogue to other manufactures and to part numbers and other descriptions are for identification purposes only, because the above DISC BRAKE PADS are NOT ORIGINAL but with these interchangeable.

CODICE	IMPIANTO		ASSE	SCALA	APPLICAZIONI
<b>R-1060</b>	AKEBONO		POSTERIORE	100%	TOYOTA
CODICE COMPONENTI	N°	L(mm)	SERIE		
*	*	*	4 PEZZI		
*	*	*	*		
*	*	*	*		
*	*	*	*		
OPTIONAL	N°	L(mm)	NOTE		
*	*	*	**		
*	*	*	**		
*	*	*	**		
*	*	*	**		



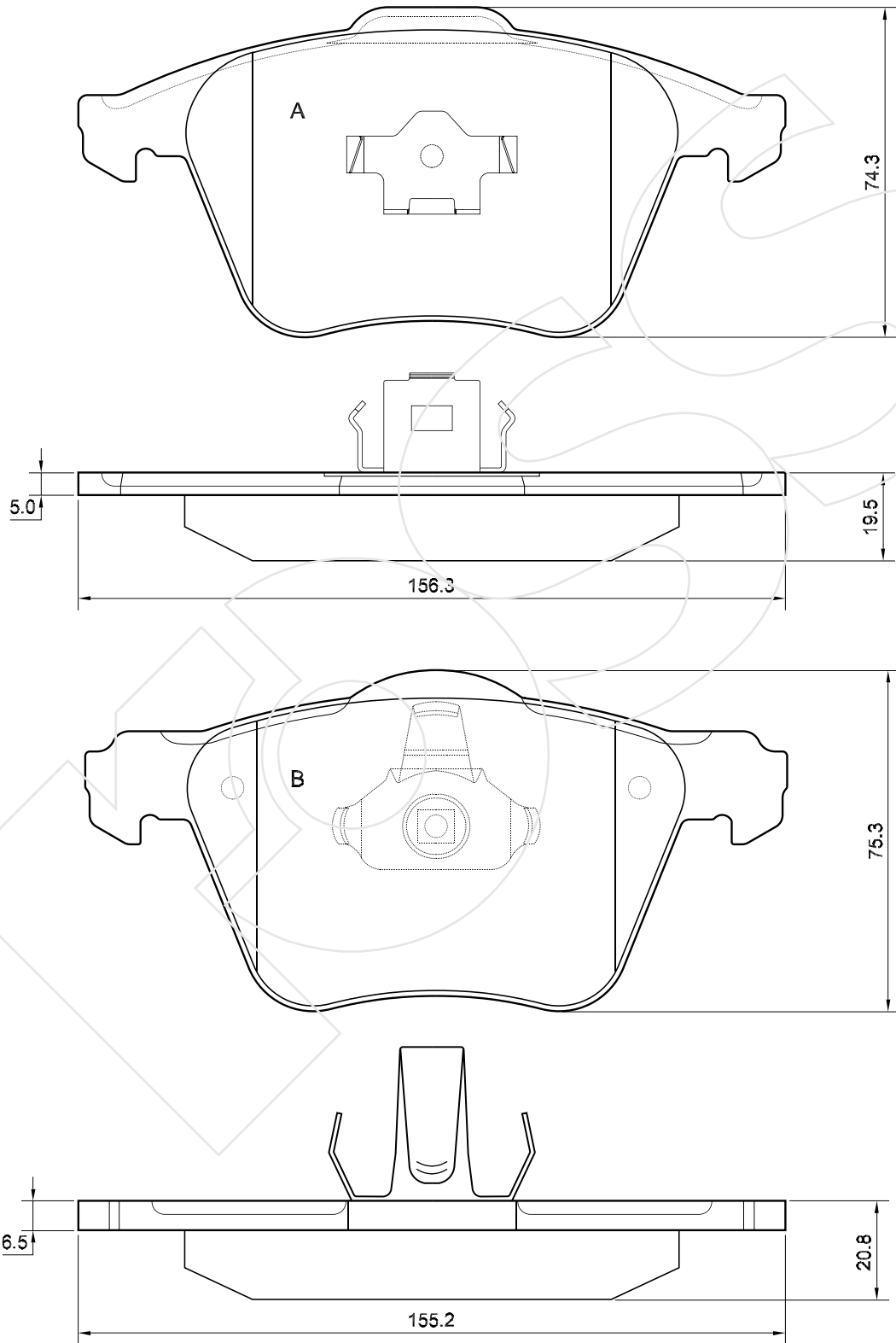
Reference in this Catalogue to other manufactures and to part numbers and other descriptions are for identification purposes only, because the above DISC BRAKE PADS are NOT ORIGINAL but with these interchangeable.

CODICE	IMPIANTO	ASSE	SCALA	APPLICAZIONI
<b>R-1061</b>	SUMITOMO	POSTERIORE	1:1	TOYOTA
CODICE COMPONENTI	N°	L(mm)	SERIE	
*	*	*	2 PEZZI TIPO A	
M0255	2	*	2 PEZZI TIPO B	
*	*	*	*	
*	*	*	*	
CODICE ACCESSORI	N°	L(mm)	NOTE	
*	*	*	*	
*	*	*	*	
*	*	*	*	
*	*	*	*	



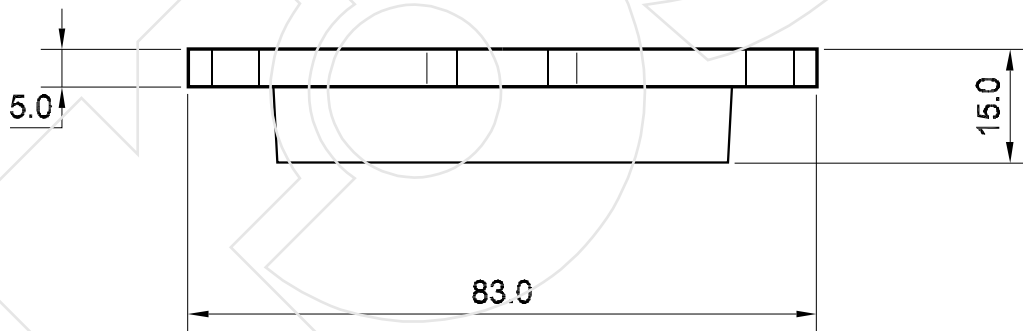
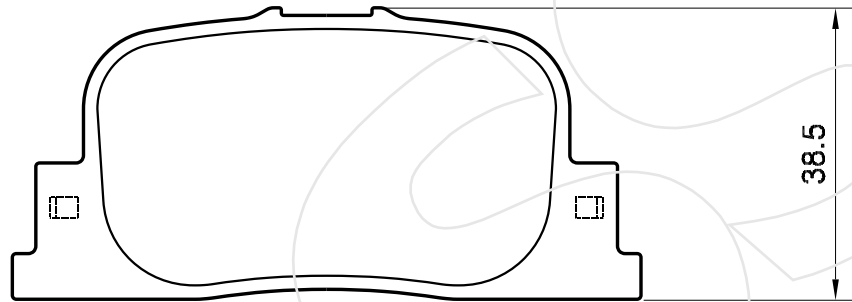
Reference in this Catalogue to other manufactures and to part numbers and other descriptions are for identification purposes only, because the above DISC BRAKE PADS are NOT ORIGINAL but with these interchangeable.

CODICE	IMPIANTO	ASSE	SCALA	APPLICAZIONI
<b>R-1062</b>	ATE	ANTERIORE	70%	VOLVO
CODICE COMPONENTI	N°	L(mm)	SERIE	
M0283	2	*	2 PEZZI TIPO A	
M0144	2	*	2 PEZZI TIPO B	
*	*	*	*	
*	*	*	*	
CODICE ACCESSORI	N°	L(mm)	NOTE	
*	*	*	*	
*	*	*	*	
*	*	*	*	
*	*	*	*	



Reference in this Catalogue to other manufactures and to part numbers and other descriptions are for identification purposes only, because the above DISC BRAKE PADS are NOT ORIGINAL but with these interchangeable.

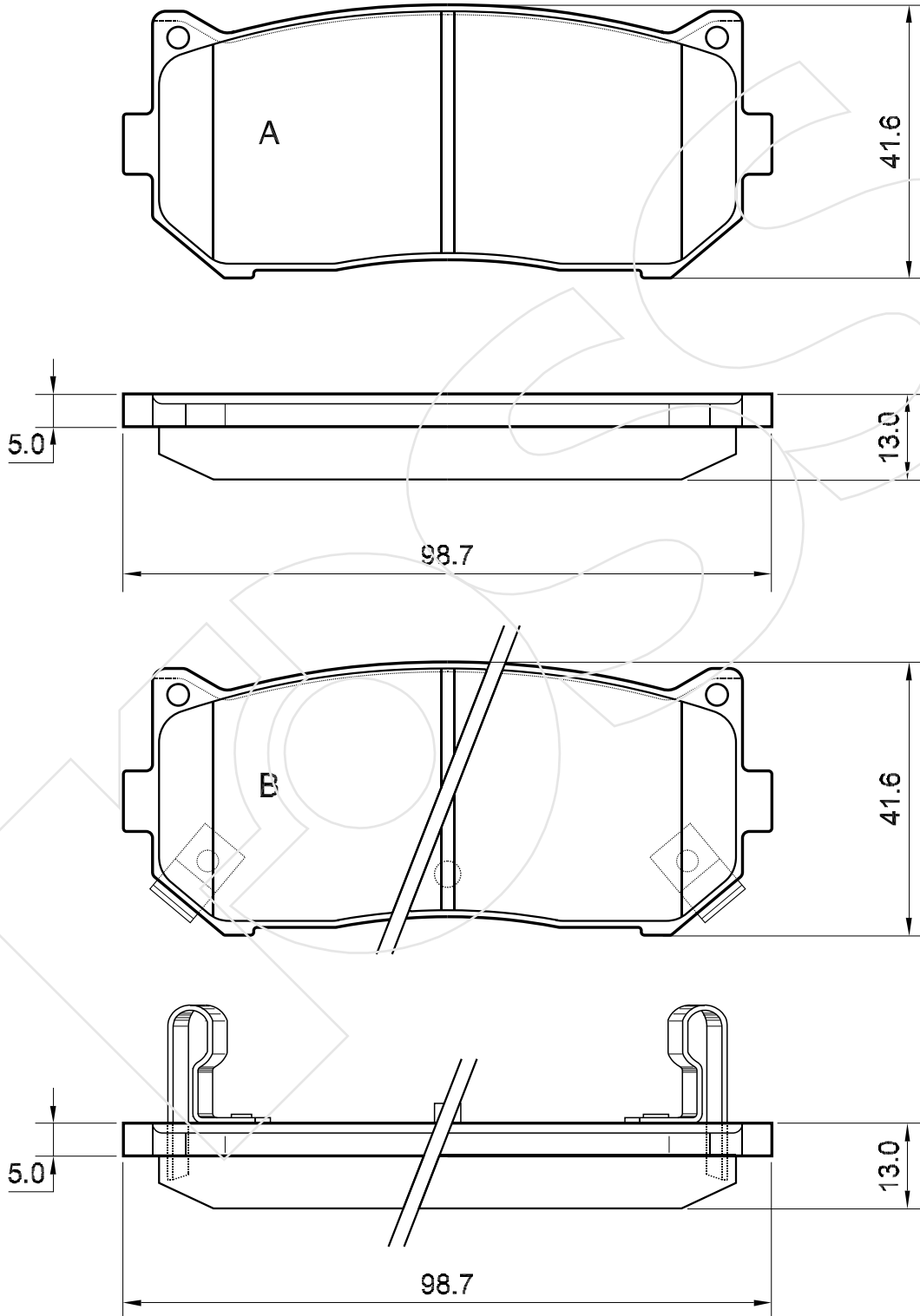
CODICE	IMPIANTO	ASSE	SCALA	APPLICAZIONI
<b>R-1063</b>	AKEBONO	POSTERIORE	1:1	TOYOTA
CODICE COMPONENTI	N°	L(mm)	SERIE	
*	*	*	4 PEZZI	
*	*	*	*	
*	*	*	*	
*	*	*	*	
CODICE ACCESSORI	N°	L(mm)	NOTE	
*	*	*	*	
*	*	*	*	
*	*	*	*	
*	*	*	*	



Reference in this Catalogue to other manufactures and to part numbers and other descriptions are for identification purposes only, because the above DISC BRAKE PADS are NOT ORIGINAL but with these interchangeable.

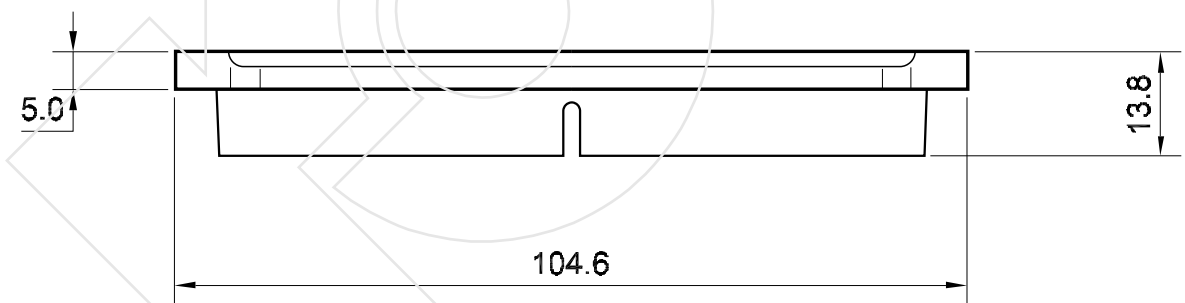
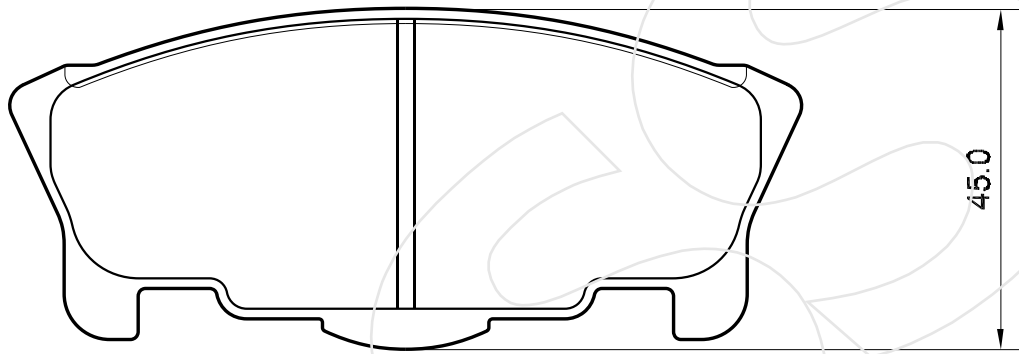


CODICE	IMPIANTO	ASSE	SCALA	APPLICAZIONI
<b>R-1064</b>	SUMITOMO	POSTERIORE	1:1	KIA
CODICE COMPONENTI	N°	L(mm)	SERIE	
*	*	*	2 PEZZI TIPO A	
M0069	2	*	2 PEZZI TIPO B	
*	*	*	*	
*	*	*	*	
CODICE ACCESSORI	N°	L(mm)	NOTE	
*	*	*	*	
*	*	*	*	
*	*	*	*	
*	*	*	*	



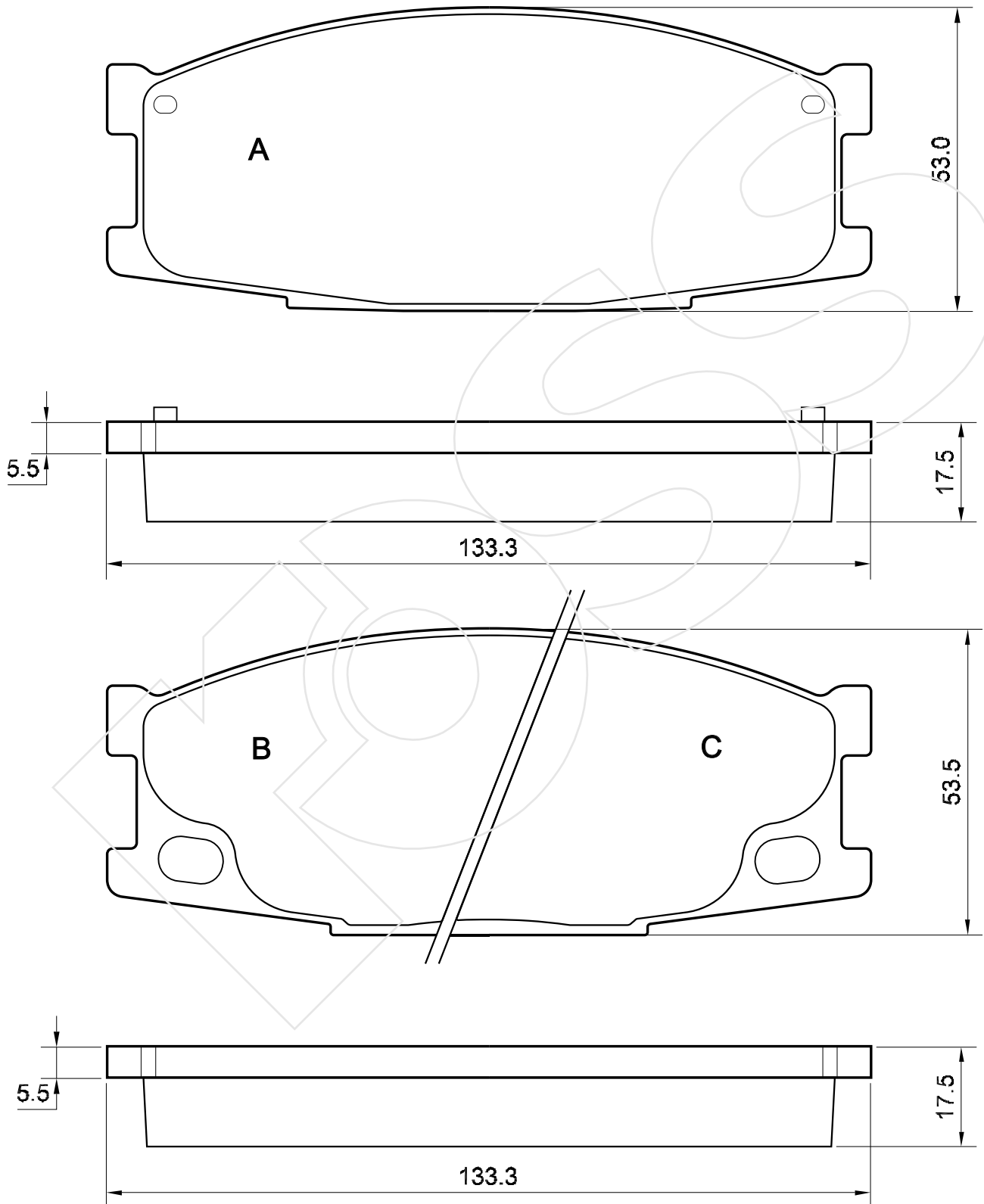
Reference in this Catalogue to other manufactures and to part numbers and other descriptions are for identification purposes only, because the above DISC BRAKE PADS are NOT ORIGINAL but with these interchangeable.

CODICE	IMPIANTO	ASSE	SCALA	APPLICAZIONI
<b>R-1065</b>	AKEBONO	ANTERIORE	1:1	DAIHATSU
CODICE COMPONENTI	N°	L(mm)	SERIE	
*	*	*	*	
*	*	*	*	
*	*	*	*	
*	*	*	*	
CODICE ACCESSORI	N°	L(mm)	NOTE	
*	*	*	*	
*	*	*	*	
*	*	*	*	
*	*	*	*	



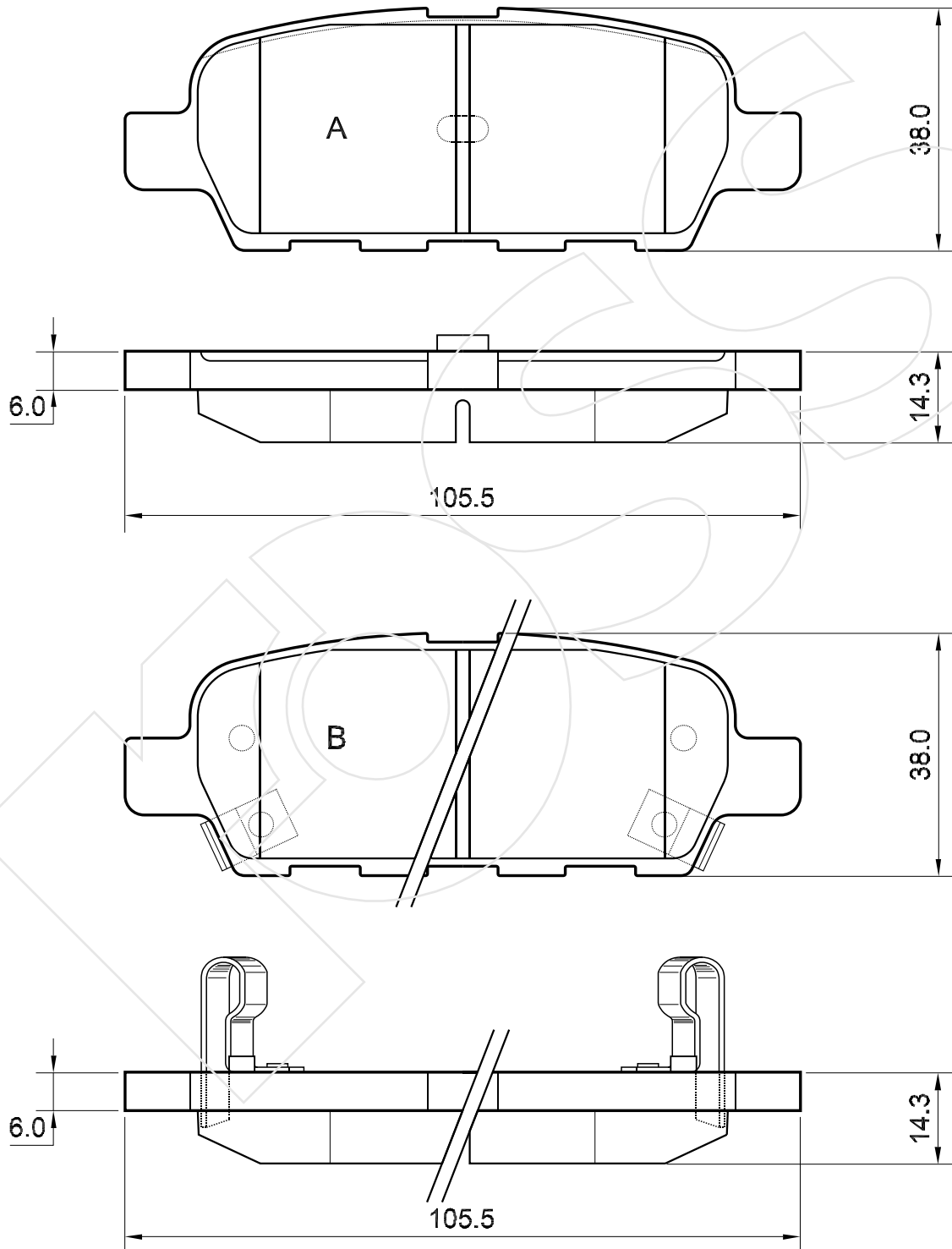
Reference in this Catalogue to other manufactures and to part numbers and other descriptions are for identification purposes only, because the above DISC BRAKE PADS are NOT ORIGINAL but with these interchangeable.

CODICE	IMPIANTO	ASSE	SCALA	APPLICAZIONI
<b>R-1066</b>	SUMITOMO	ANTERIORE	1:1	MITSUBISHI
CODICE COMPONENTI	N°	L(mm)	SERIE	
*	*	*	2 PEZZI TIPO A	
*	*	*	1 PEZZO TIPO B	
*	*	*	1 PEZZO TIPO C	
*	*	*	*	
CODICE ACCESSORI	N°	L(mm)	NOTE	
*	*	*	*	
*	*	*	*	
*	*	*	*	
*	*	*	*	



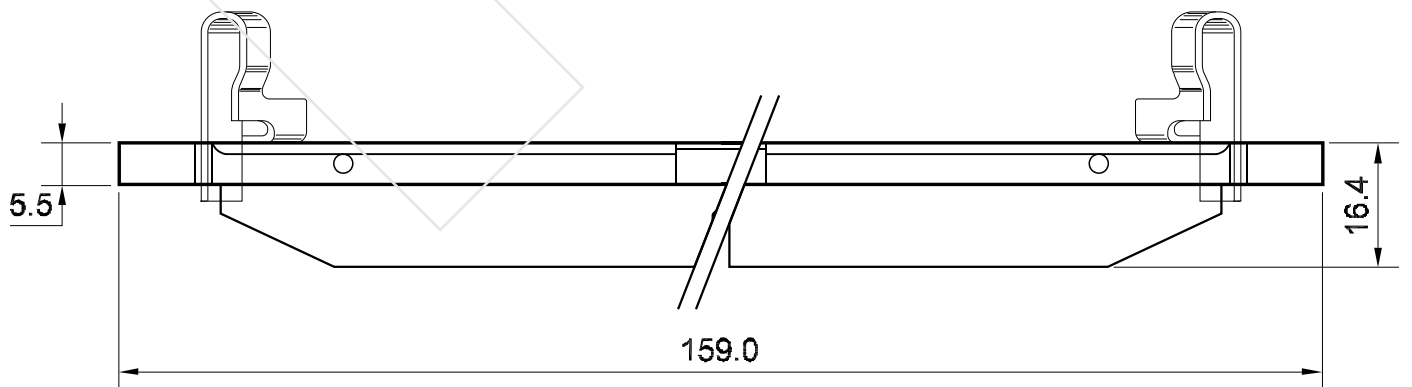
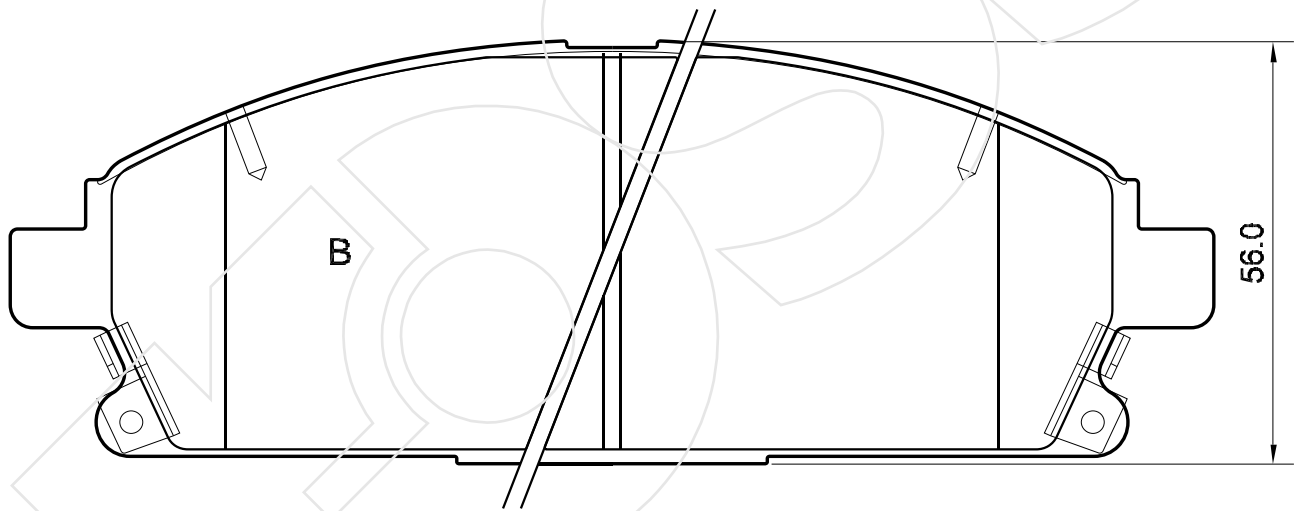
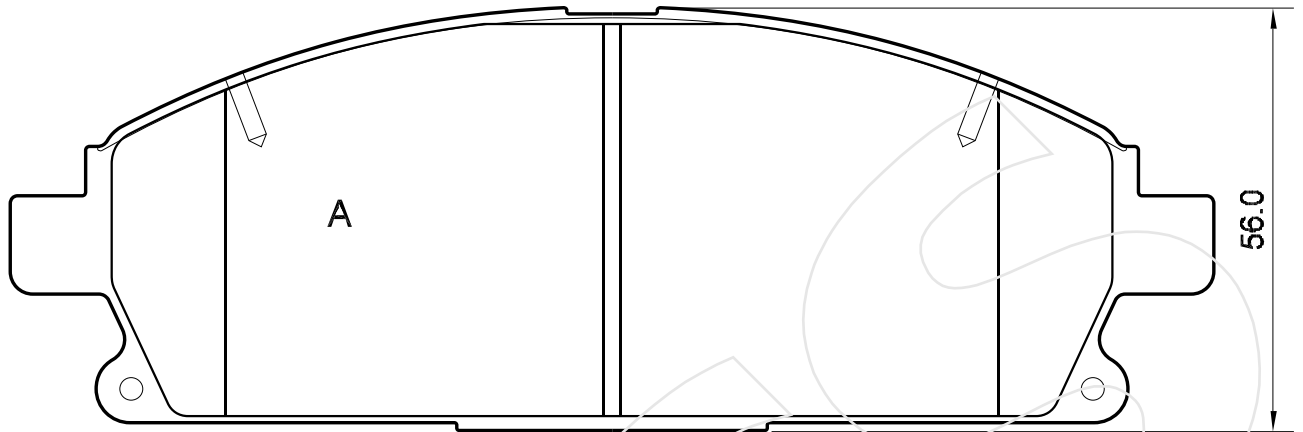
Reference in this Catalogue to other manufactures and to part numbers and other descriptions are for identification purposes only, because the above DISC BRAKE PADS are NOT ORIGINAL but with these interchangeable.

CODICE	IMPIANTO	ASSE	SCALA	APPLICAZIONI
<b>R-1067</b>	AKEBONO	POSTERIORE	1:1	NISSAN
CODICE COMPONENTI	N°	L(mm)	SERIE	
*	*	*	2 PEZZI TIPO A	
M0069	2	*	2 PEZZI TIPO B	
*	*	*	*	
*	*	*	*	
CODICE ACCESSORI	N°	L(mm)	NOTE	
*	*	*	*	
*	*	*	*	
*	*	*	*	
*	*	*	*	



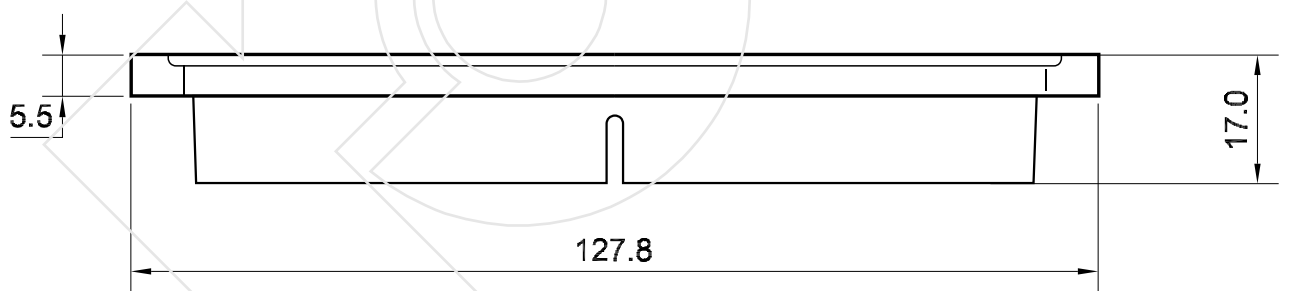
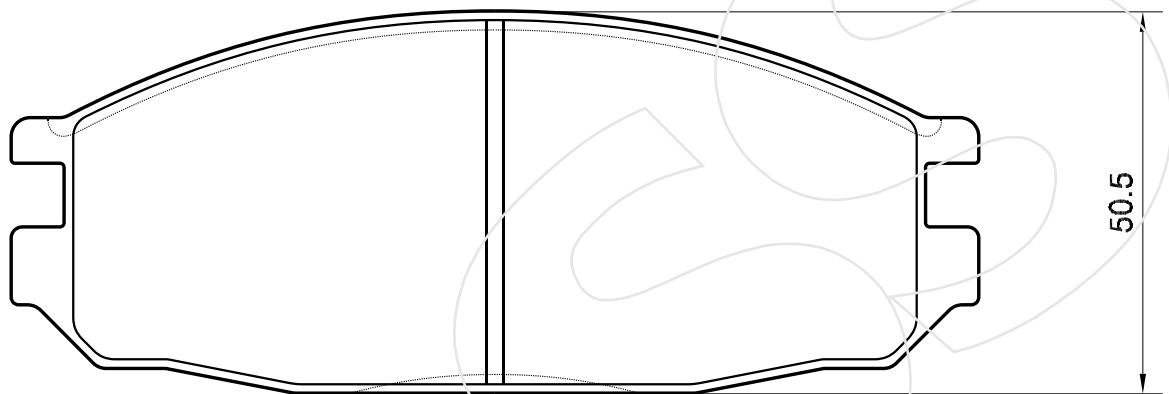
Reference in this Catalogue to other manufactures and to part numbers and other descriptions are for identification purposes only, because the above DISC BRAKE PADS are NOT ORIGINAL but with these interchangeable.

CODICE	IMPIANTO		ASSE	SCALA	APPLICAZIONI
<b>R-1068</b>	SUMITOMO		ANTERIORE	1:1	NISSAN
CODICE COMPONENTI	N°	L(mm)	SERIE		
*	*	*	2 PEZZI TIPO A		
M0194	1	*	1 PEZZO TIPO B		
M0195	1	*	1 PEZZO TIPO C		
*	*	*	*		
CODICE ACCESSORI	N°	L(mm)	NOTE		
*	*	*	*		
*	*	*	*		
*	*	*	*		
*	*	*	*		



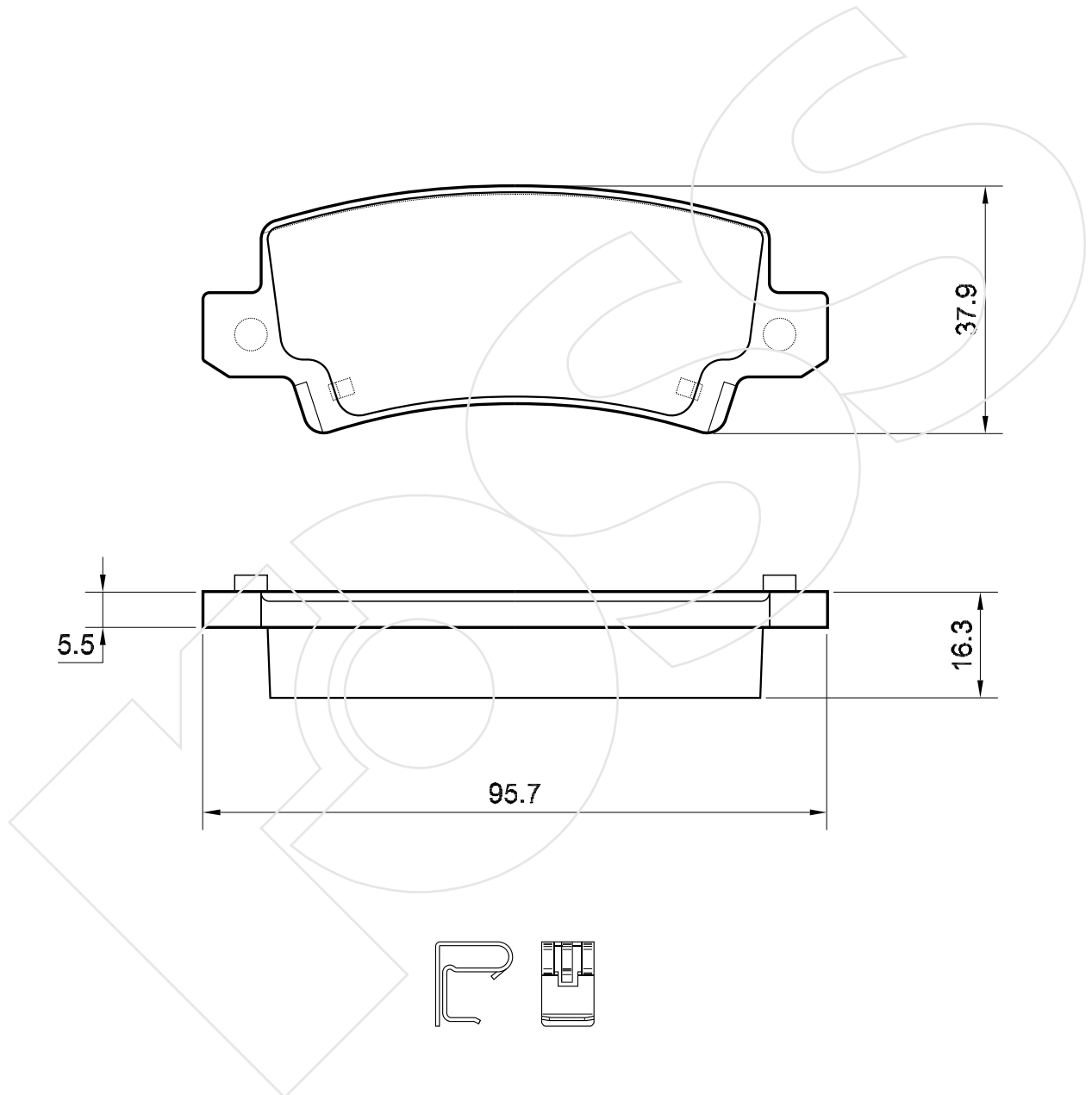
Reference in this Catalogue to other manufactures and to part numbers and other descriptions are for identification purposes only, because the above DISC BRAKE PADS are NOT ORIGINAL but with these interchangeable.

CODICE	IMPIANTO	ASSE	SCALA	APPLICAZIONI
<b>R-1069</b>	SUMITOMO	ANTERIORE	1:1	NISSAN
CODICE COMPONENTI	N°	L(mm)	SERIE	
*	*	*	4 PEZZI	
*	*	*	*	
*	*	*	*	
*	*	*	*	
CODICE ACCESSORI	N°	L(mm)	NOTE	
*	*	*	*	
*	*	*	*	
*	*	*	*	
*	*	*	*	



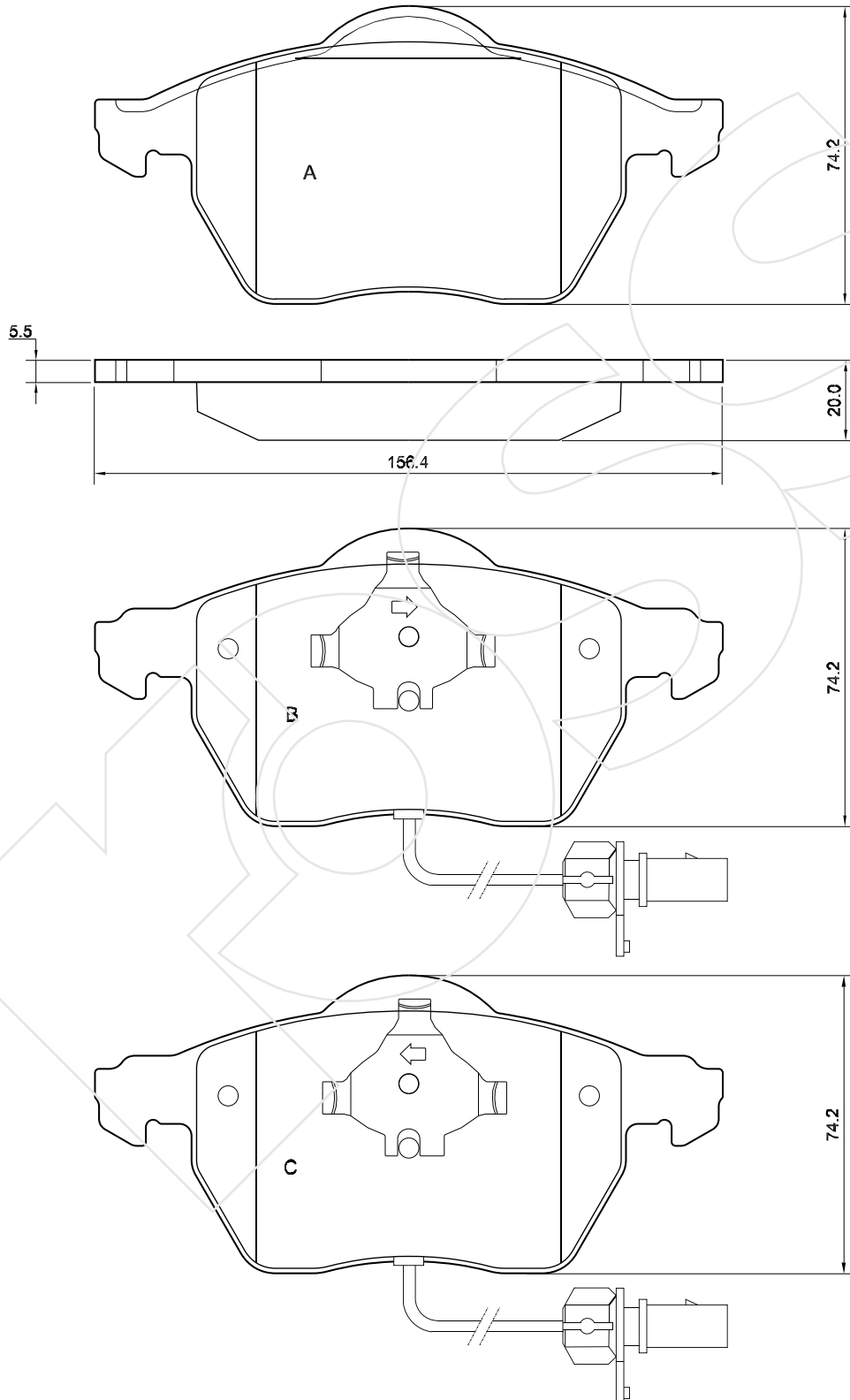
Reference in this Catalogue to other manufactures and to part numbers and other descriptions are for identification purposes only, because the above DISC BRAKE PADS are NOT ORIGINAL but with these interchangeable.

CODICE	IMPIANTO		ASSE	SCALA	APPLICAZIONI
<b>R-1070</b>	TRW		POSTERIORE	1:1	TOYOTA
CODICE COMPONENTI	N°	L(mm)	SERIE		
M0164	2	*	4 PEZZI		
*	*	*	*		
*	*	*	*		
*	*	*	*		
CODICE ACCESSORI	N°	L(mm)	NOTE		
*	*	*	*		
*	*	*	*		
*	*	*	*		
*	*	*	*		



Reference in this Catalogue to other manufactures and to part numbers and other descriptions are for identification purposes only, because the above DISC BRAKE PADS are NOT ORIGINAL but with these interchangeable.

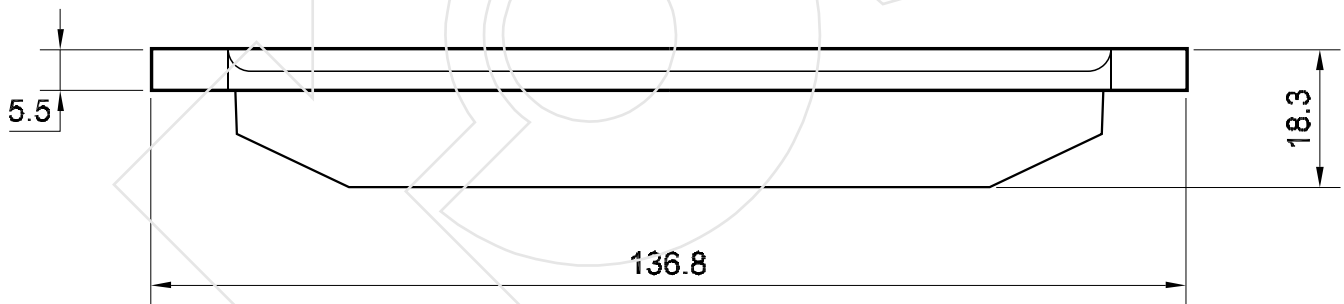
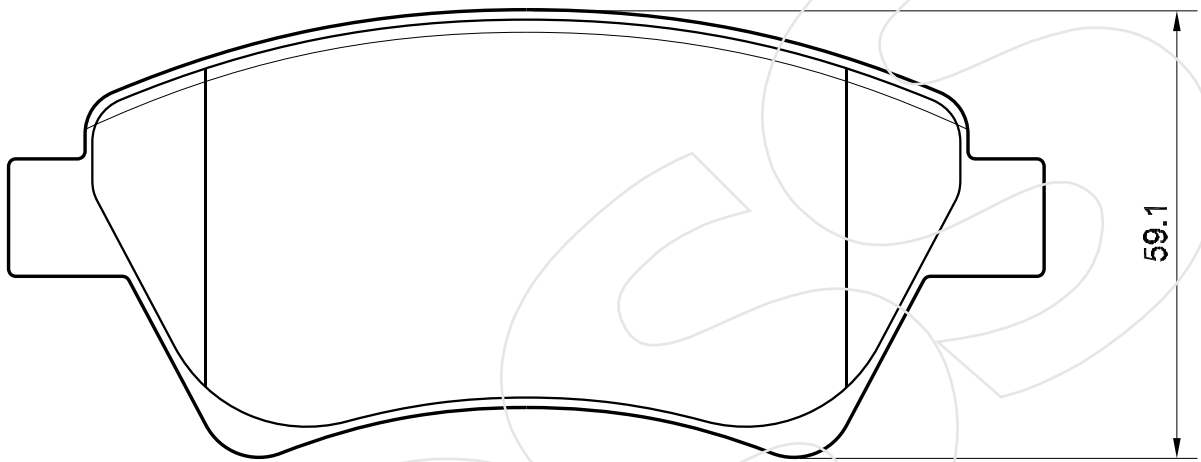
CODICE	IMPIANTO	ASSE	SCALA	APPLICAZIONI
<b>R-1071</b>	ATE	ANTERIORE	60%	AUDI
CODICE COMPONENTI	N°	L(mm)	SERIE	VOLKSWAGEN
*	*	*	2 PEZZI TIPO A	
M0139+F3044	1+1	210	1 PEZZO TIPO B	
M0140+F3044	1+1	210	1 PEZZO TIPO C	
*	*	*	*	
CODICE ACCESSORI	N°	L(mm)	NOTE	
*	*	*	*	
*	*	*	*	
*	*	*	*	
*	*	*	*	



Reference in this Catalogue to other manufactures and to part numbers and other descriptions are for identification purposes only, because the above DISC BRAKE PADS are NOT ORIGINAL but with these interchangeable.

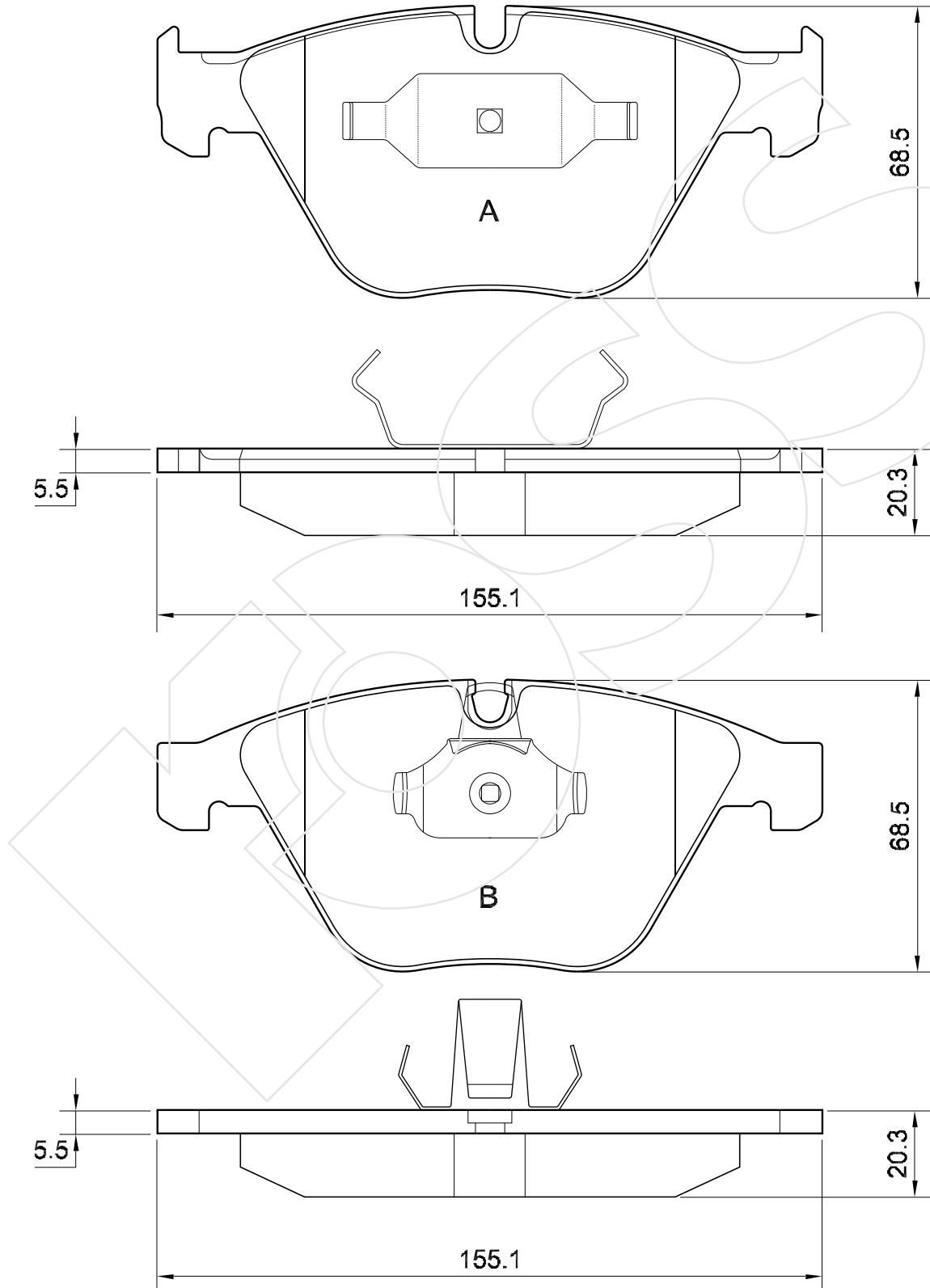


CODICE	IMPIANTO	ASSE	SCALA	APPLICAZIONI
<b>R-1072</b>	BOSCH	ANTERIORE	1:1	RENAULT
CODICE COMPONENTI	N°	L(mm)	SERIE	
*	*	*	4 PEZZI	
*	*	*	*	
*	*	*	*	
*	*	*	*	
CODICE ACCESSORI	N°	L(mm)	NOTE	
*	*	*	*	
*	*	*	*	
*	*	*	*	
*	*	*	*	



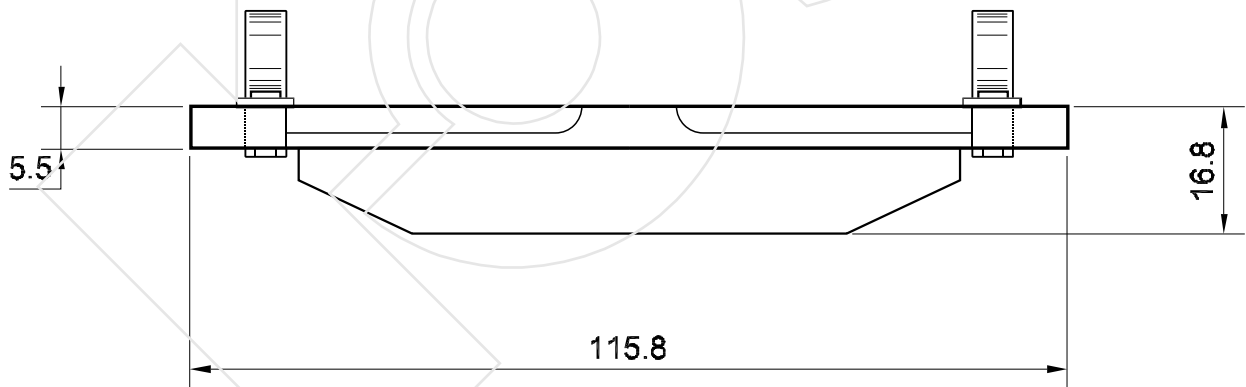
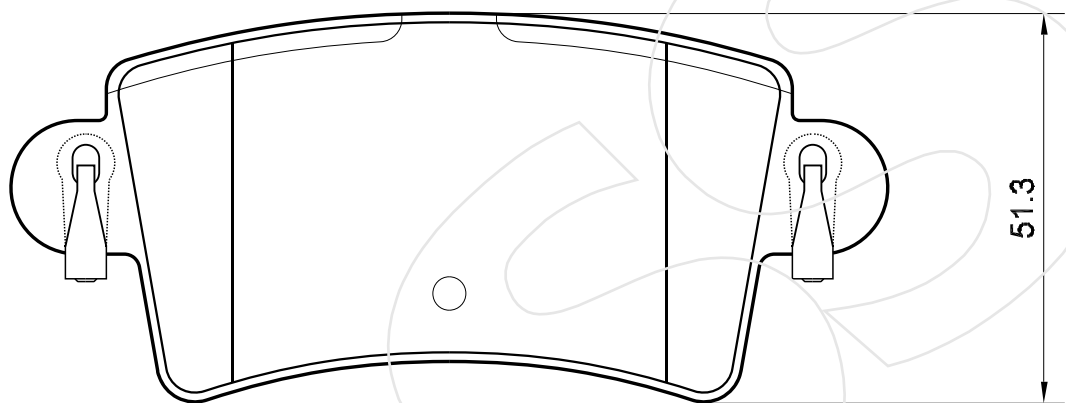
Reference in this Catalogue to other manufactures and to part numbers and other descriptions are for identification purposes only, because the above DISC BRAKE PADS are NOT ORIGINAL but with these interchangeable.

CODICE	IMPIANTO	ASSE	SCALA	APPLICAZIONI
<b>R-1073</b>	ATE	ANTERIORE	70%	BMW
CODICE COMPONENTI	N°	L(mm)	SERIE	
M0268	2	*	2 PEZZI TIPO A	
M0144	2	*	2 PEZZI TIPO B	
*	*	*	*	
*	*	*	*	
CODICE ACCESSORI	N°	L(mm)	NOTE	
*	*	*	*	
*	*	*	*	
*	*	*	*	
*	*	*	*	



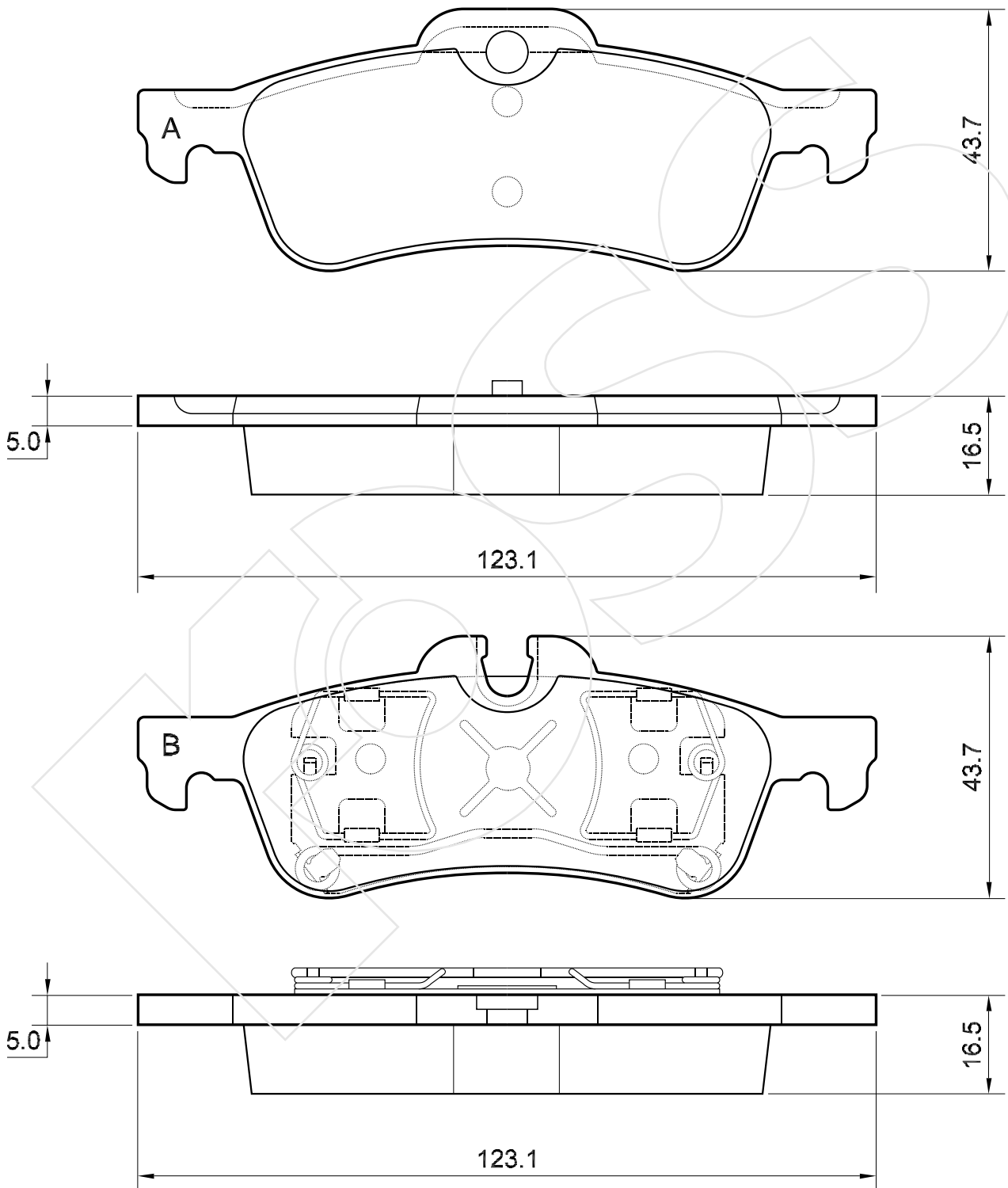
Reference in this Catalogue to other manufactures and to part numbers and other descriptions are for identification purposes only, because the above DISC BRAKE PADS are NOT ORIGINAL but with these interchangeable.

CODICE	IMPIANTO	ASSE	SCALA	APPLICAZIONI
<b>R-1074</b>	BOSCH	POSTERIORE	1:1	NISSAN
CODICE COMPONENTI	N°	L(mm)	SERIE	OPEL
M0229	8	*	4 PEZZI	RENAULT
*	*	*	*	VAUXHALL
*	*	*	*	
*	*	*	*	
CODICE ACCESSORI	N°	L(mm)	NOTE	
*	*	*	*	
*	*	*	*	
*	*	*	*	
*	*	*	*	



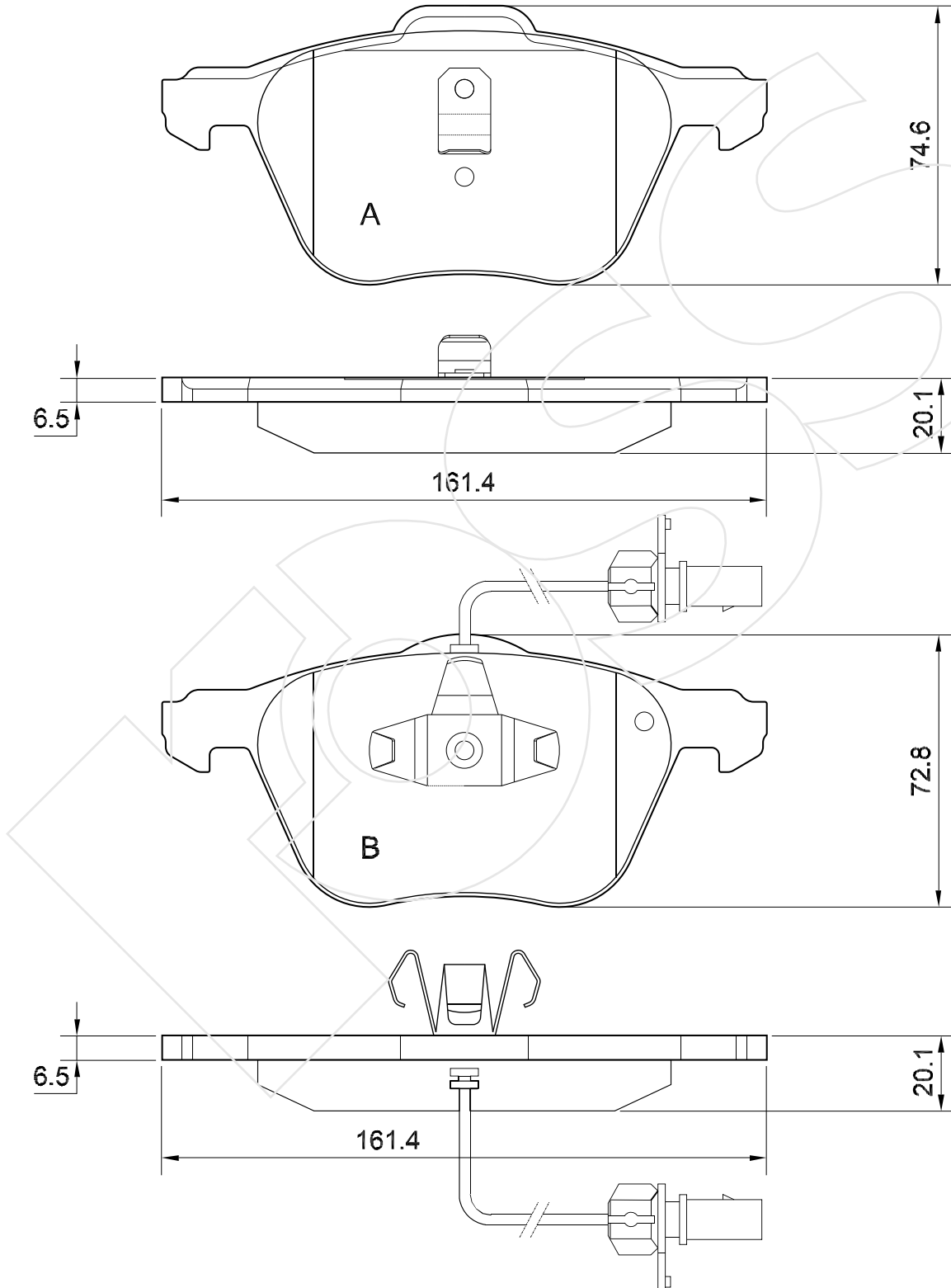
Reference in this Catalogue to other manufactures and to part numbers and other descriptions are for identification purposes only, because the above DISC BRAKE PADS are NOT ORIGINAL but with these interchangeable.

CODICE	IMPIANTO	ASSE	SCALA	APPLICAZIONI
<b>R-1075</b>	ATE	POSTERIORE	1:1	MINI
CODICE COMPONENTI	N°	L(mm)	SERIE	
*	*	*	2 PEZZI TIPO A	
M0278	2	*	2 PEZZI TIPO B	
*	*	*	*	
*	*	*	*	
CODICE ACCESSORI	N°	L(mm)	NOTE	
*	*	*	*	
*	*	*	*	
*	*	*	*	
*	*	*	*	



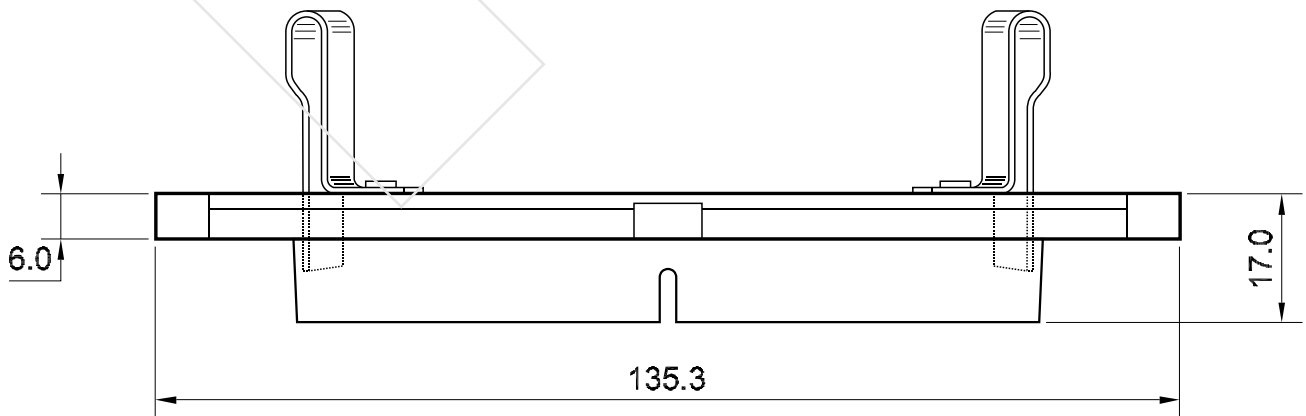
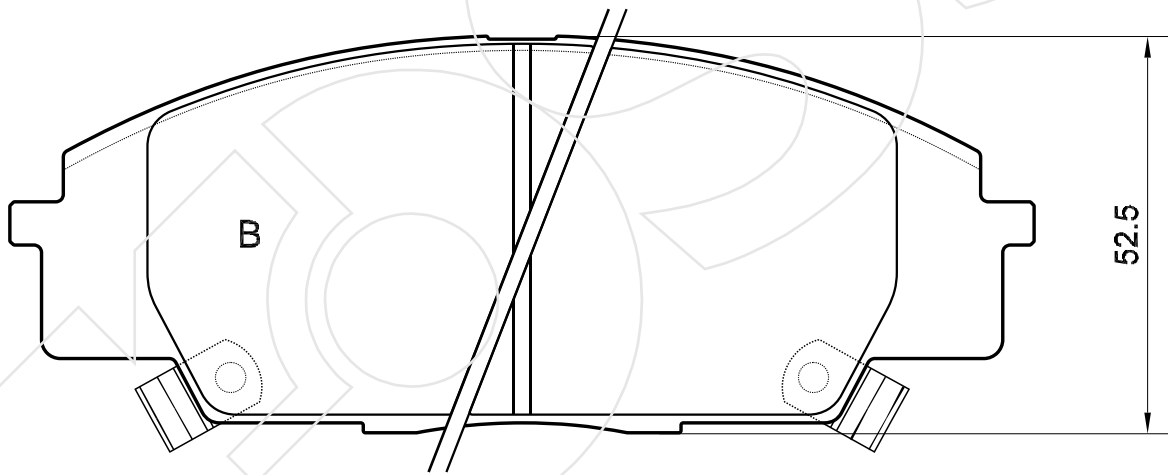
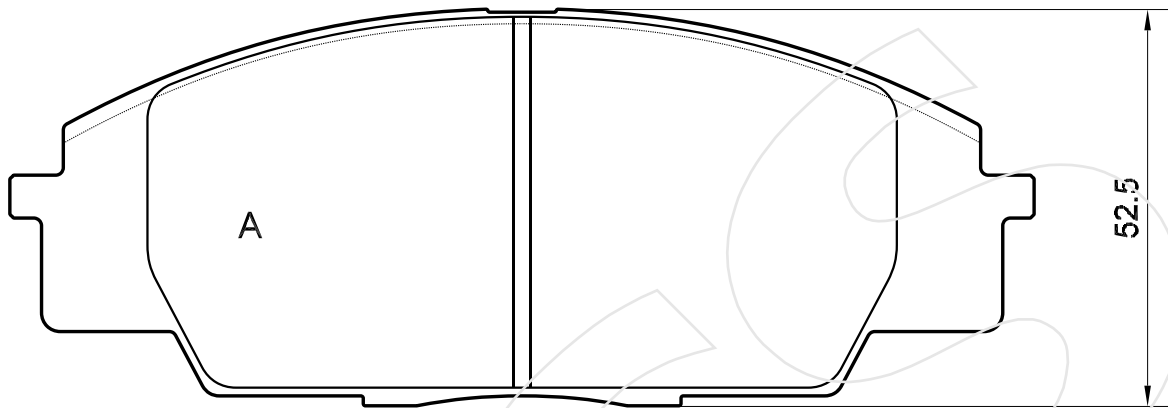
Reference in this Catalogue to other manufactures and to part numbers and other descriptions are for identification purposes only, because the above DISC BRAKE PADS are NOT ORIGINAL but with these interchangeable.

CODICE	IMPIANTO	ASSE	SCALA	APPLICAZIONI
<b>R-1076</b>	ATE	ANTERIORE	60%	SEAT VOLKSWAGEN
CODICE COMPONENTI	N°	L(mm)	SERIE	
M0286	2	*	2 PEZZI TIPO A	
M0284+F3133	2+2	285	2 PEZZI TIPO B	
*	*	*	*	
*	*	*	*	
CODICE ACCESSORI	N°	L(mm)	NOTE	
*	*	*	*	
*	*	*	*	
*	*	*	*	
*	*	*	*	



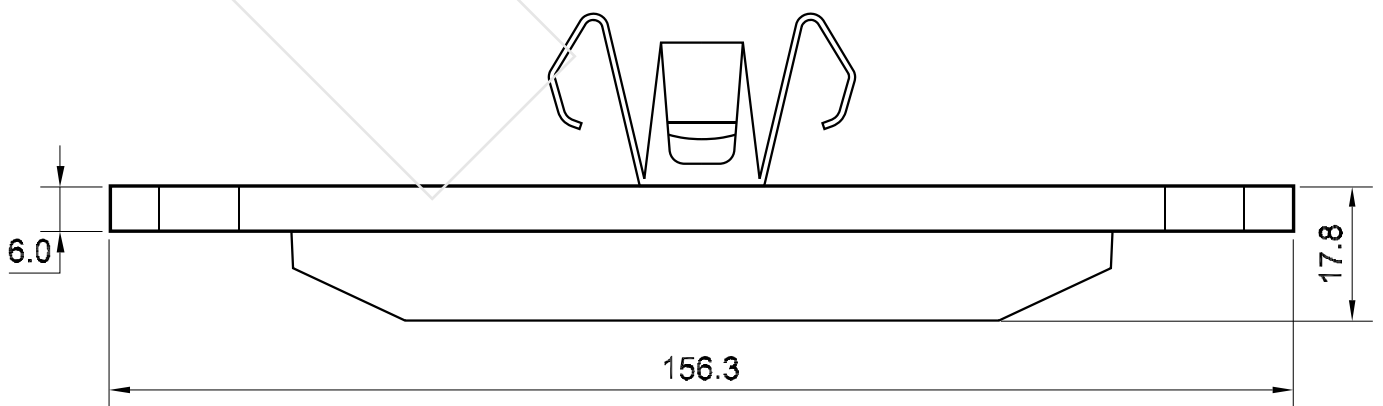
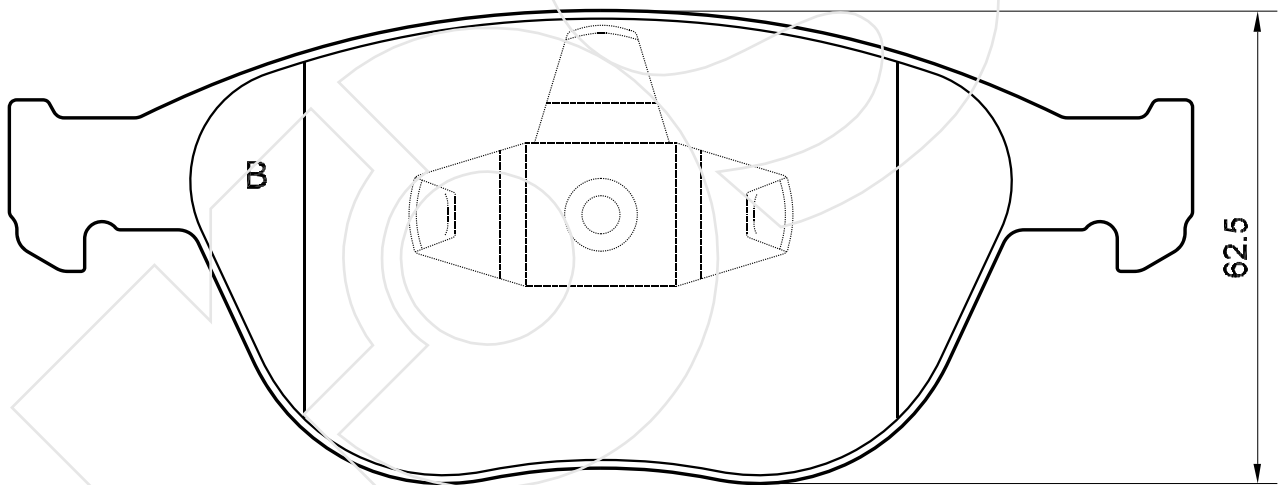
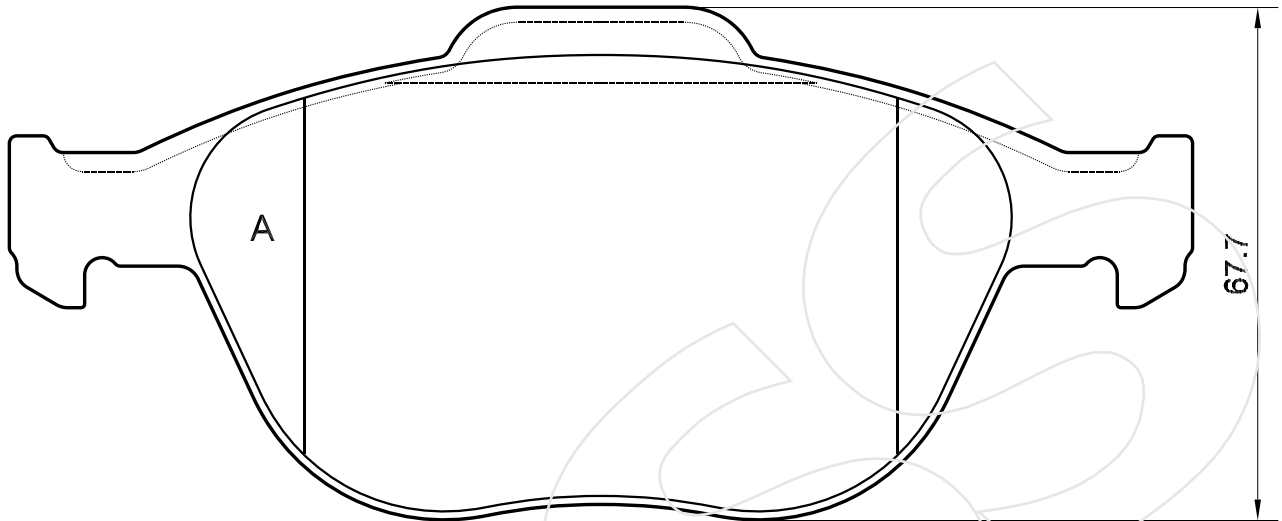
Reference in this Catalogue to other manufactures and to part numbers and other descriptions are for identification purposes only, because the above DISC BRAKE PADS are NOT ORIGINAL but with these interchangeable.

CODICE	IMPIANTO	ASSE	SCALA	APPLICAZIONI
<b>R-1077</b>	SUMITOMO	ANTERIORE	1:1	HONDA
CODICE COMPONENTI	N°	L(mm)	SERIE	
*	*	*	2 PEZZI TIPO A	
M0177	2	*	2 PEZZI TIPO B	
*	*	*	*	
*	*	*	*	
CODICE ACCESSORI	N°	L(mm)	NOTE	
*	*	*	*	
*	*	*	*	
*	*	*	*	
*	*	*	*	



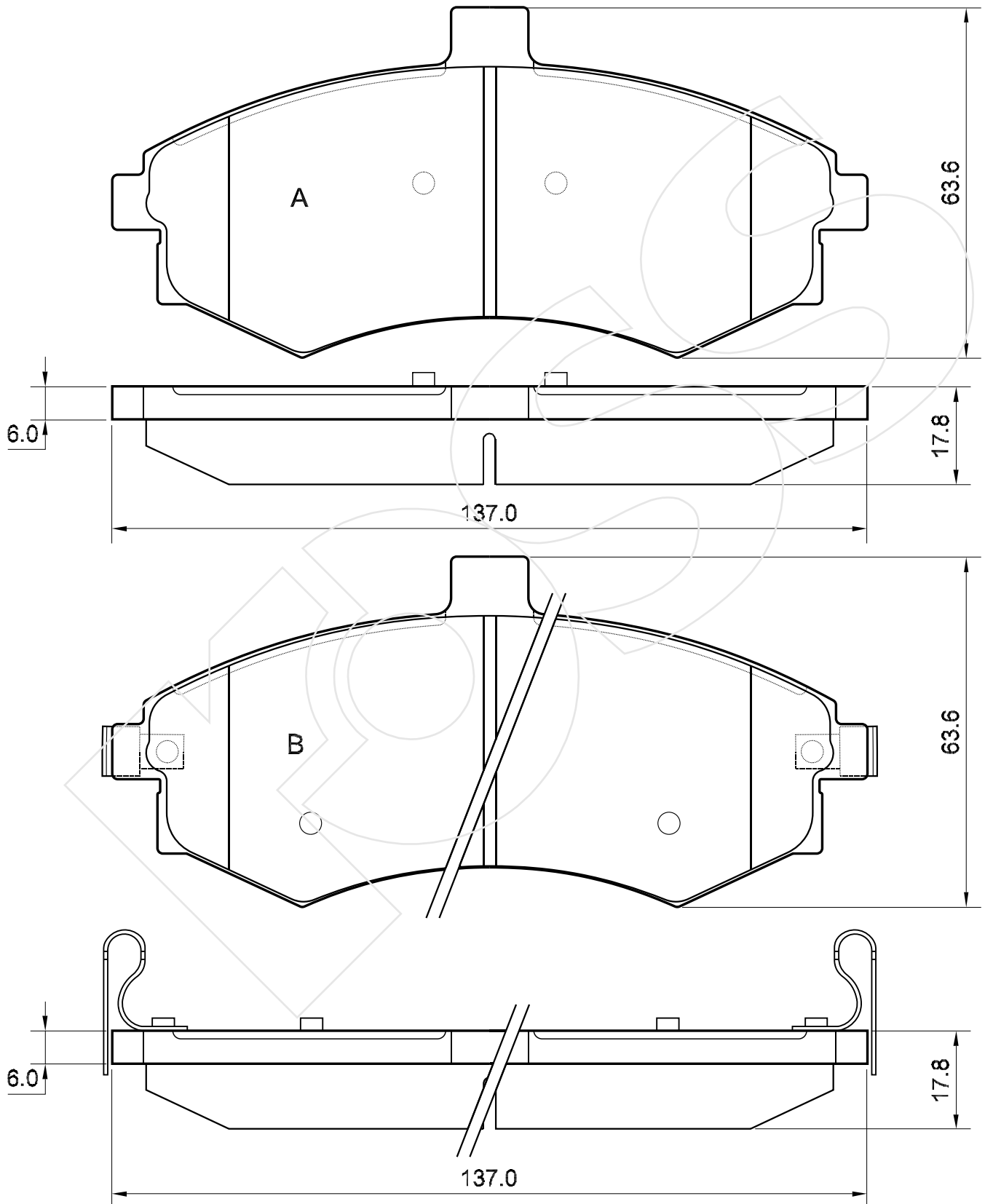
Reference in this Catalogue to other manufactures and to part numbers and other descriptions are for identification purposes only, because the above DISC BRAKE PADS are NOT ORIGINAL but with these interchangeable.

CODICE	IMPIANTO	ASSE	SCALA	APPLICAZIONI
<b>R-1078</b>	ATE	ANTERIORE	1:1	FORD
CODICE COMPONENTI	N°	L(mm)	SERIE	
*	*	*	2 PEZZI TIPO A	
M0168	2	*	2 PEZZI TIPO B	
*	*	*	*	
*	*	*	*	
CODICE ACCESSORI	N°	L(mm)	NOTE	
*	*	*	*	
*	*	*	*	
*	*	*	*	
*	*	*	*	



Reference in this Catalogue to other manufactures and to part numbers and other descriptions are for identification purposes only, because the above DISC BRAKE PADS are NOT ORIGINAL but with these interchangeable.

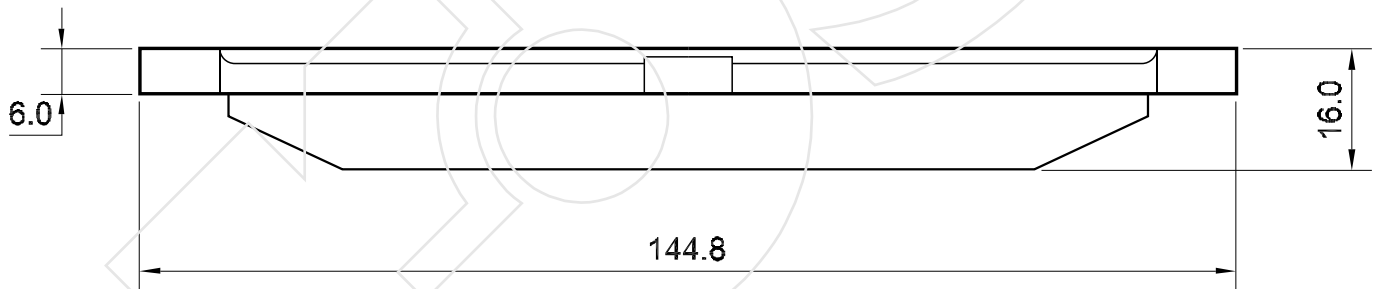
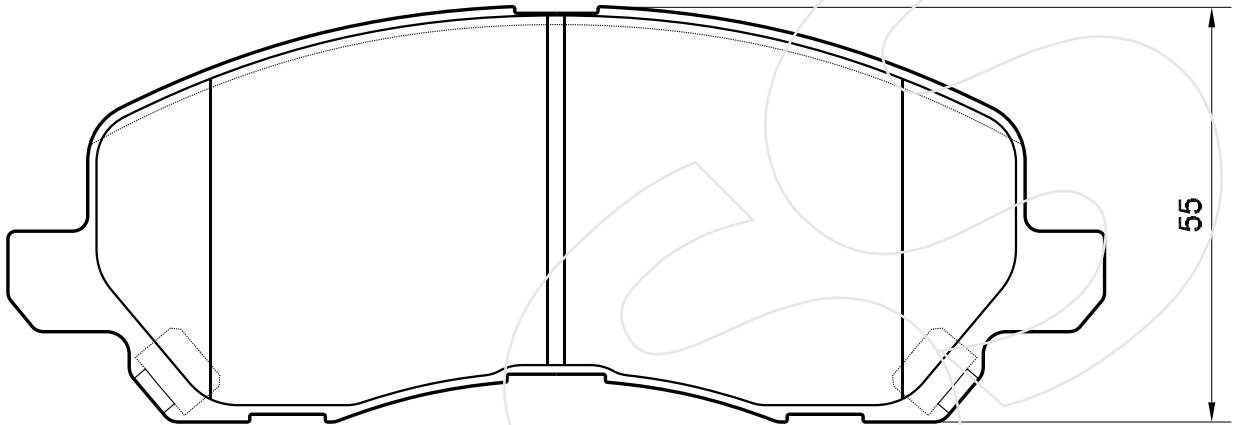
CODICE	IMPIANTO	ASSE	SCALA	APPLICAZIONI
<b>R-1079</b>	*	ANTERIORE	1:1	HYUNDAI
CODICE COMPONENTI	N°	L(mm)	SERIE	
*	*	*	2 PEZZI TIPO A	
M0074	2	*	2 PEZZI TIPO B	
*	*	*	*	
*	*	*	*	
CODICE ACCESSORI	N°	L(mm)	NOTE	
*	*	*	*	
*	*	*	*	
*	*	*	*	
*	*	*	*	



Reference in this Catalogue to other manufactures and to part numbers and other descriptions are for identification purposes only, because the above DISC BRAKE PADS are NOT ORIGINAL but with these interchangeable.

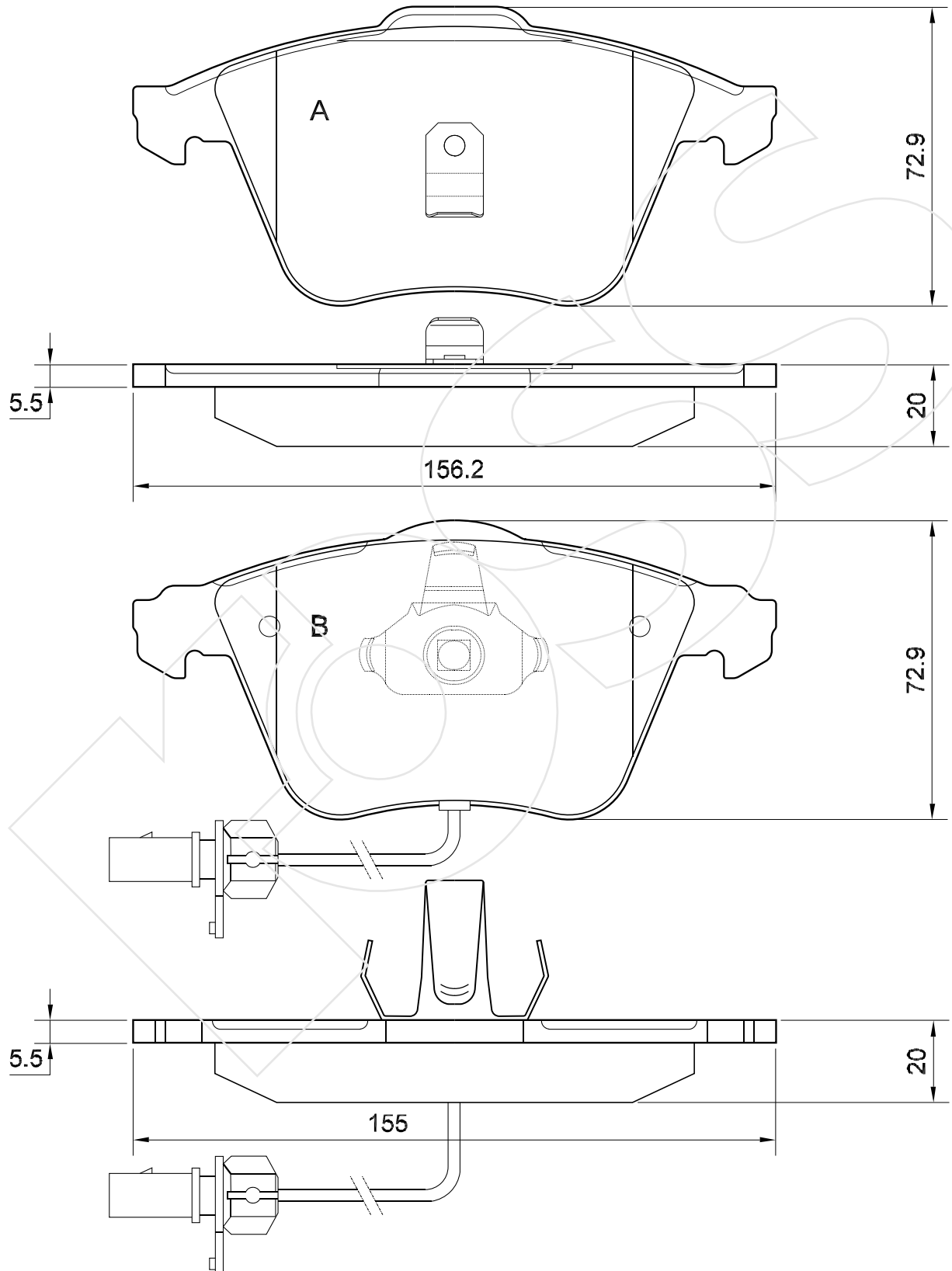


CODICE	IMPIANTO	ASSE	SCALA	APPLICAZIONI
<b>R-1080</b>	AKEBONO	ANTERIORE	1:1	MITSUBISHI DODGE CHRYSLER
CODICE COMPONENTI	N°	L(mm)	SERIE	
M0251	2	*	4 PEZZI	
*	*	*	*	
*	*	*	*	
*	*	*	*	
*	*	*	*	
CODICE ACCESSORI	N°	L(mm)	NOTE	
*	*	*	*	
*	*	*	*	
*	*	*	*	
*	*	*	*	



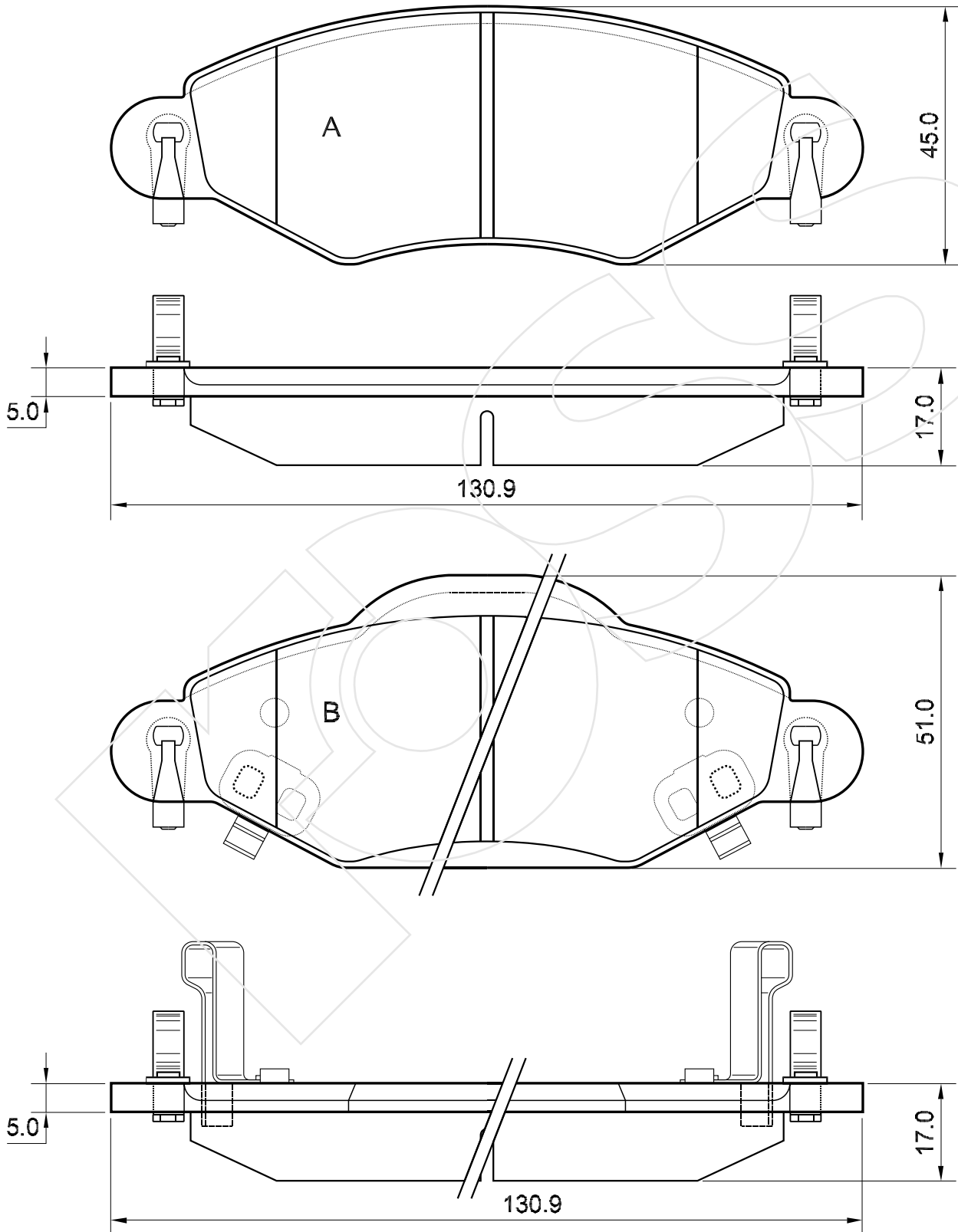
Reference in this Catalogue to other manufactures and to part numbers and other descriptions are for identification purposes only, because the above DISC BRAKE PADS are NOT ORIGINAL but with these interchangeable.

CODICE	IMPIANTO	ASSE	SCALA	APPLICAZIONI
<b>R-1081</b>	ATE	ANTERIORE	70%	AUDI
CODICE COMPONENTI	N°	L(mm)	SERIE	
M0286	2	*	2 PEZZI TIPO A	
M0144+F3133	2+2	280	2 PEZZI TIPO B	
*	*	*		
*	*	*		
CODICE ACCESSORI	N°	L(mm)	NOTE	
*	*	*		
*	*	*		
*	*	*		
*	*	*		



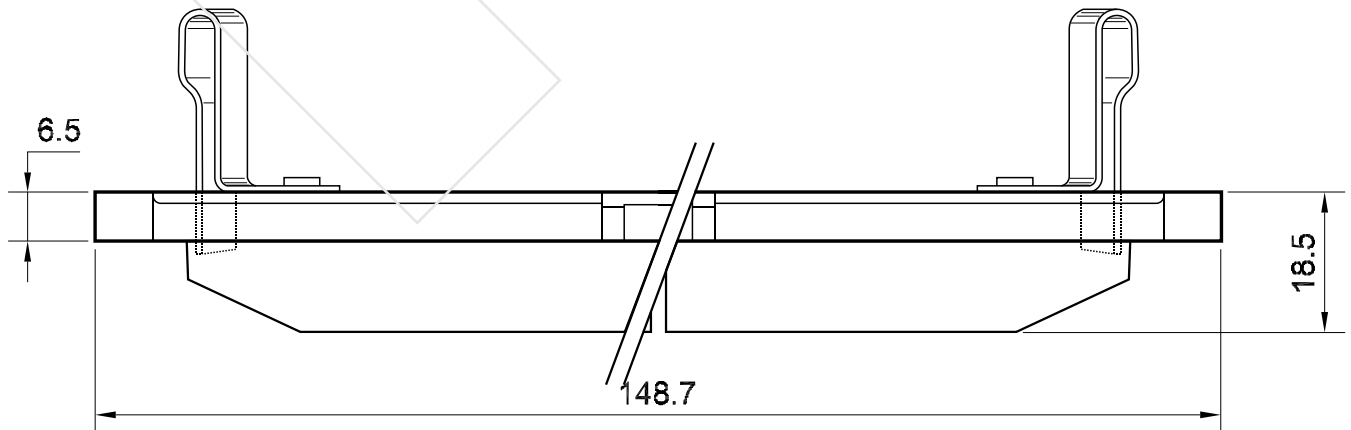
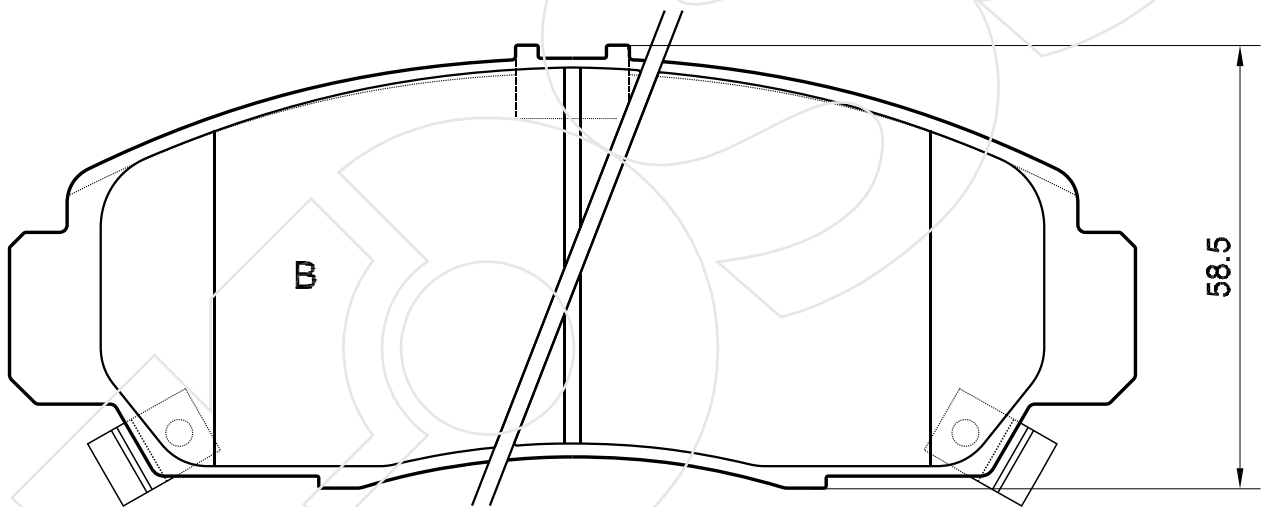
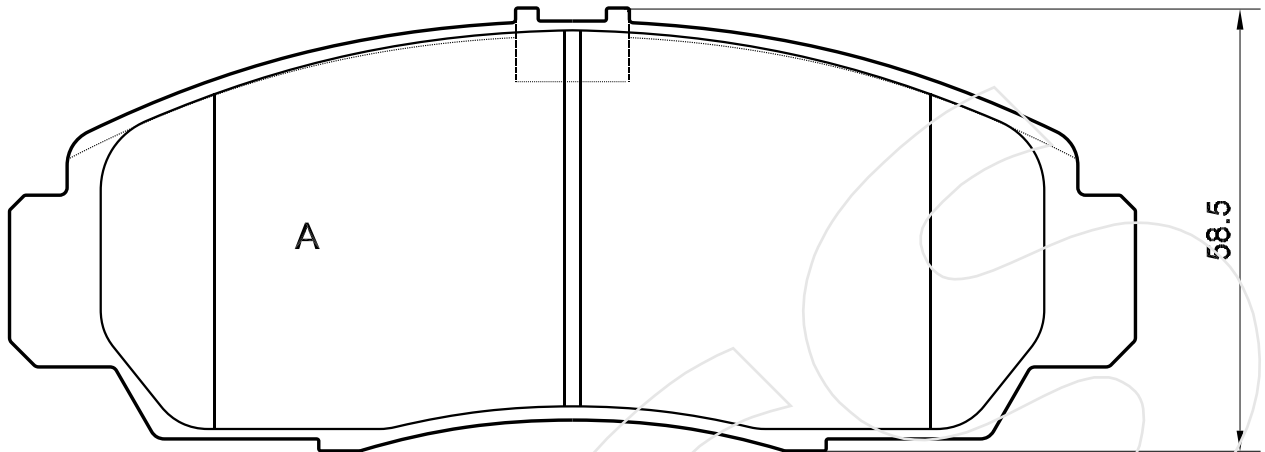
Reference in this Catalogue to other manufactures and to part numbers and other descriptions are for identification purposes only, because the above DISC BRAKE PADS are NOT ORIGINAL but with these interchangeable.

CODICE	IMPIANTO		ASSE	SCALA	APPLICAZIONI
<b>R-1082</b>	BOSCH		ANTERIORE	1:1	TOYOTA
CODICE COMPONENTI	N°	L(mm)	SERIE		
M0256	4	*	2 PEZZI TIPO A		
M0256+M0285	4+2	*	2 PEZZI TIPO B		
*	*	*	*		
*	*	*	*		
CODICE ACCESSORI	N°	L(mm)	NOTE		
*	*	*	*		
*	*	*	*		
*	*	*	*		
*	*	*	*		



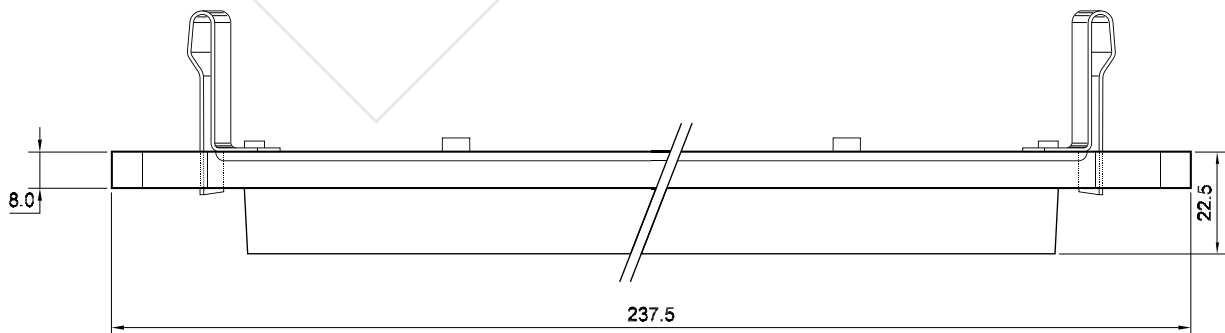
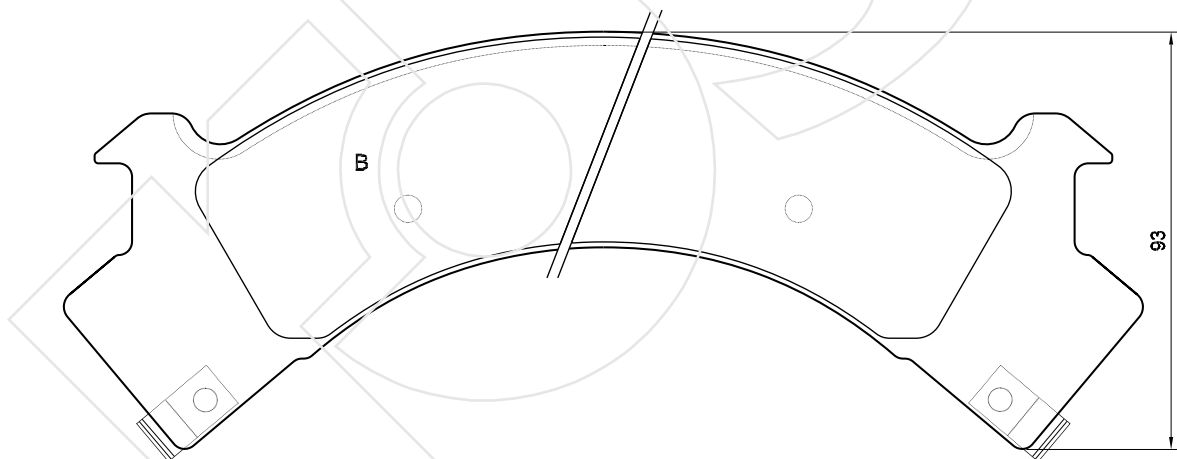
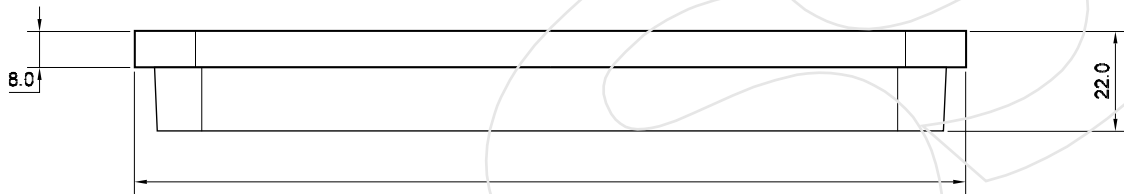
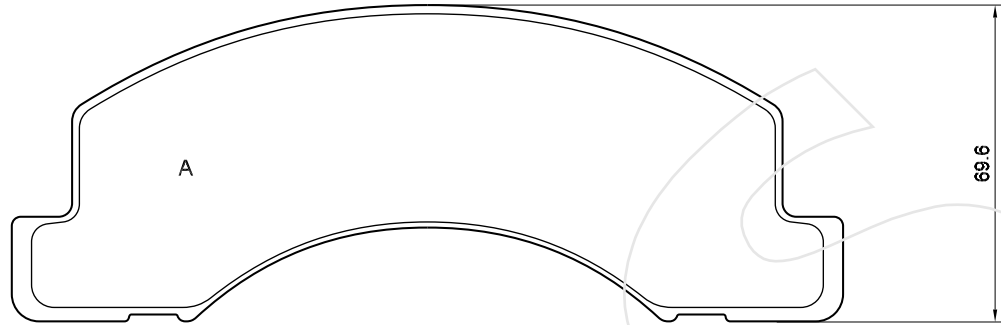
Reference in this Catalogue to other manufactures and to part numbers and other descriptions are for identification purposes only, because the above DISC BRAKE PADS are NOT ORIGINAL but with these interchangeable.

CODICE	IMPIANTO	ASSE	SCALA	APPLICAZIONI
<b>R-1083</b>	NISSIN	ANTERIORE	1:1	ACURA/HONDA
CODICE COMPONENTI	N°	L(mm)	SERIE	
*	*	*	2 PEZZI TIPO A	
M0281	2	*	2 PEZZI TIPO B	
*	*	*	*	
*	*	*	*	
CODICE ACCESSORI	N°	L(mm)	NOTE	
*	*	*	*	
*	*	*	*	
*	*	*	*	
*	*	*	*	



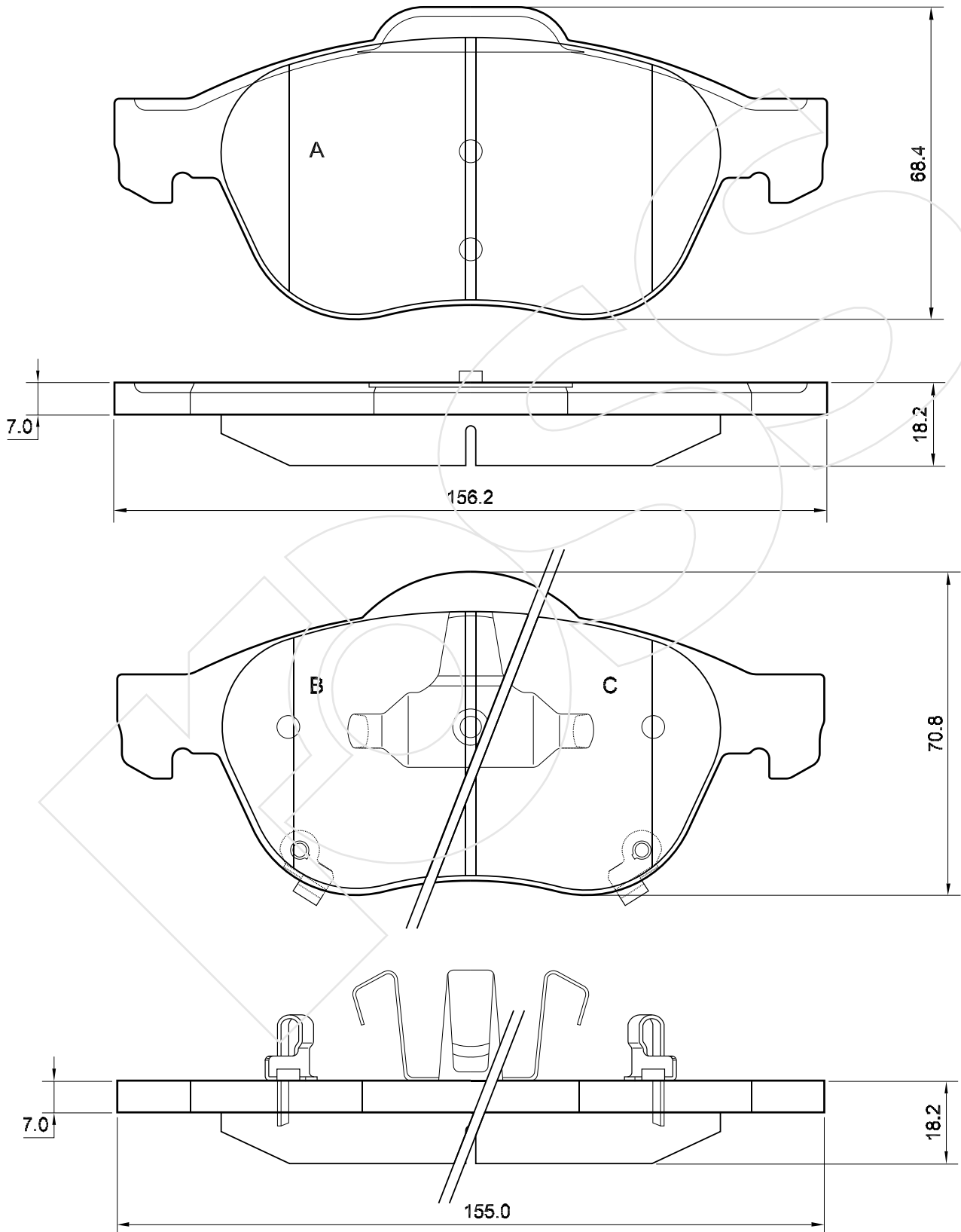
Reference in this Catalogue to other manufactures and to part numbers and other descriptions are for identification purposes only, because the above DISC BRAKE PADS are NOT ORIGINAL but with these interchangeable.

CODICE	IMPIANTO	ASSE	SCALA	APPLICAZIONI
<b>R-1084</b>	*	ANTERIORE	60%	ISUZU
CODICE COMPONENTI	N°	L(mm)	SERIE	
*	*	*	2 PEZZI TIPO A	
M0333	2	*	2 PEZZI TIPO B	
*	*	*	*	
*	*	*	*	
CODICE ACCESSORI	N°	L(mm)	NOTE	
*	*	*	*	
*	*	*	*	
*	*	*	*	
*	*	*	*	



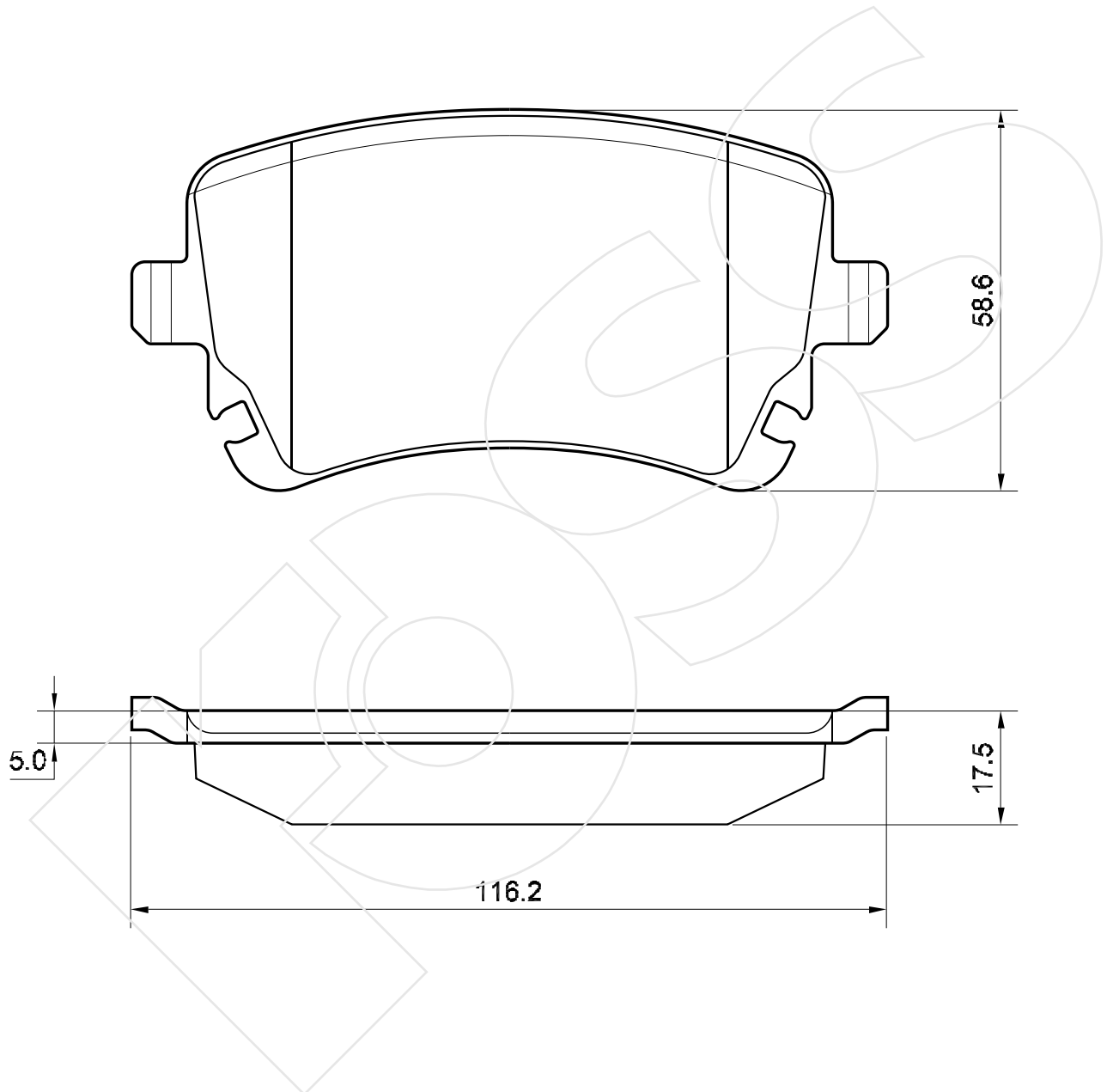
Reference in this Catalogue to other manufactures and to part numbers and other descriptions are for identification purposes only, because the above DISC BRAKE PADS are NOT ORIGINAL but with these interchangeable.

CODICE	IMPIANTO		ASSE	SCALA	APPLICAZIONI
<b>R-1085</b>	ATE		ANTERIORE	80%	TOYOTA AVENSIS COROLLA
CODICE COMPONENTI	N°	L(mm)	SERIE		
*	*	*	2 PEZZI TIPO A		
M0203+M0287	1+1	*	1 PEZZO TIPO B		
M0203+M0288	1+1	*	1 PEZZO TIPO C		
*	*	*	*		
CODICE ACCESSORI	N°	L(mm)	NOTE		
*	*	*	*		
*	*	*	*		
*	*	*	*		
*	*	*	*		



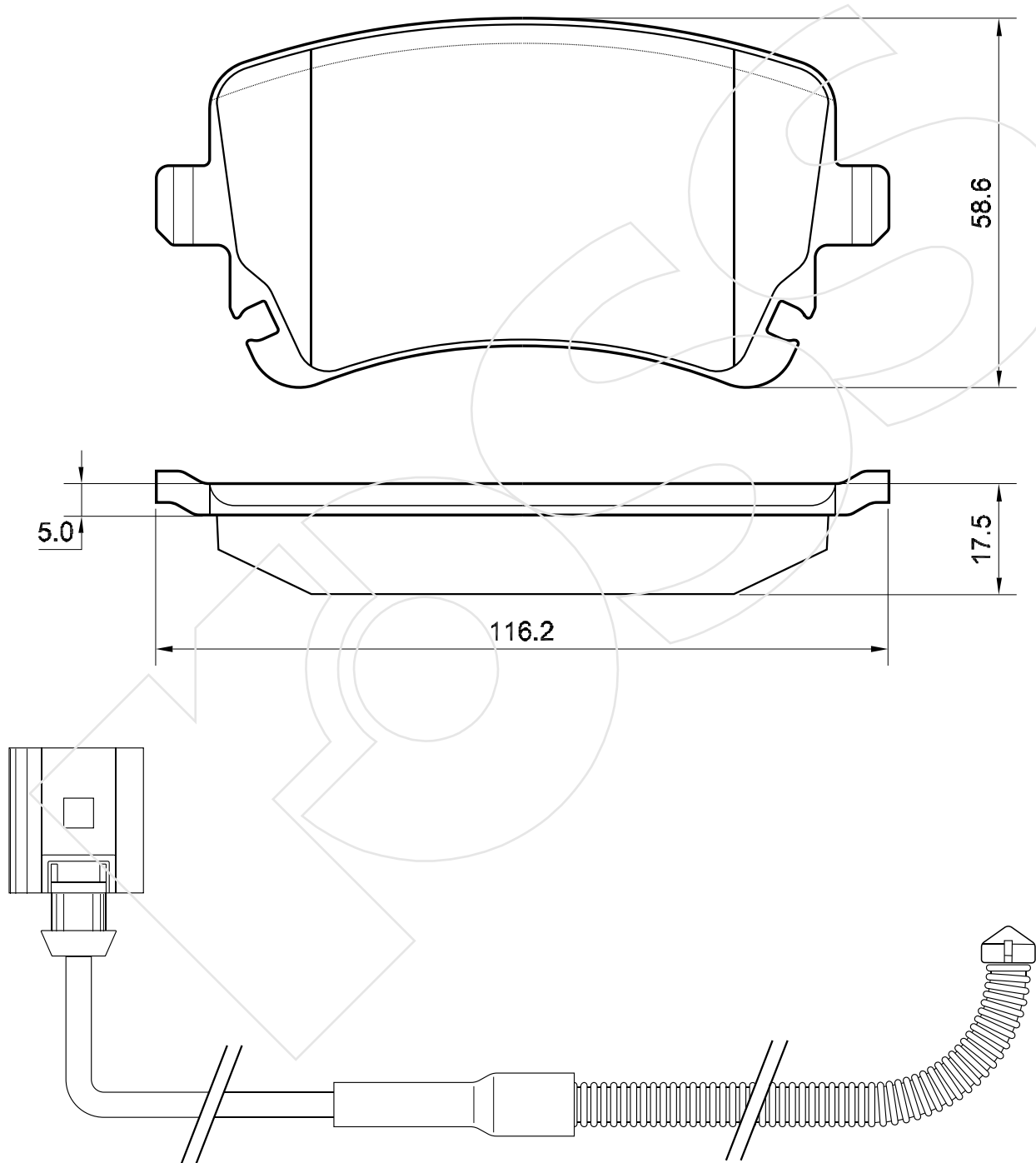
Reference in this Catalogue to other manufactures and to part numbers and other descriptions are for identification purposes only, because the above DISC BRAKE PADS are NOT ORIGINAL but with these interchangeable.

CODICE	IMPIANTO		ASSE	SCALA	APPLICAZIONI
<b>R-1086</b>	GIRLING		POSTERIORE	1:1	AUDI
CODICE COMPONENTI	N°	L(mm)	SERIE		
*	*	*	4 PEZZI		
*	*	*			
*	*	*			
*	*	*			
CODICE ACCESSORI	N°	L(mm)	NOTE		
*	*	*			
*	*	*			
*	*	*			
*	*	*			



Reference in this Catalogue to other manufactures and to part numbers and other descriptions are for identification purposes only, because the above DISC BRAKE PADS are NOT ORIGINAL but with these interchangeable.

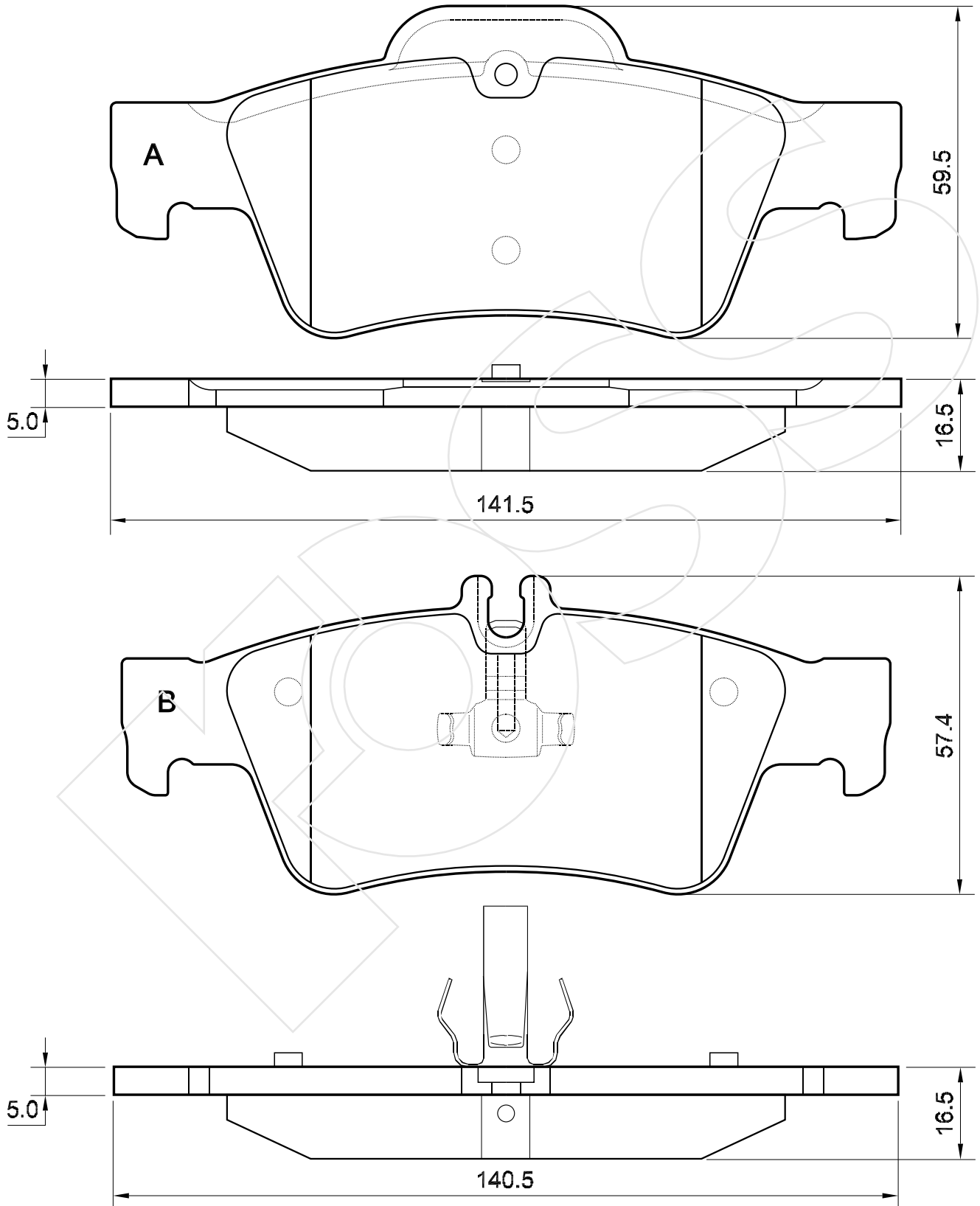
CODICE	IMPIANTO		ASSE	SCALA	APPLICAZIONI
<b>R-1087</b>	GIRLING		POSTERIORE	1:1	VOLKSWAGEN
CODICE COMPONENTI	N°	L(mm)	SERIE		
F3144	2	635	4 PEZZI		
*	*	*	*		
*	*	*	*		
*	*	*	*		
CODICE ACCESSORI	N°	L(mm)	NOTE		
*	*	*	*		
*	*	*	*		
*	*	*	*		
*	*	*	*		



Reference in this Catalogue to other manufactures and to part numbers and other descriptions are for identification purposes only, because the above DISC BRAKE PADS are NOT ORIGINAL but with these interchangeable.

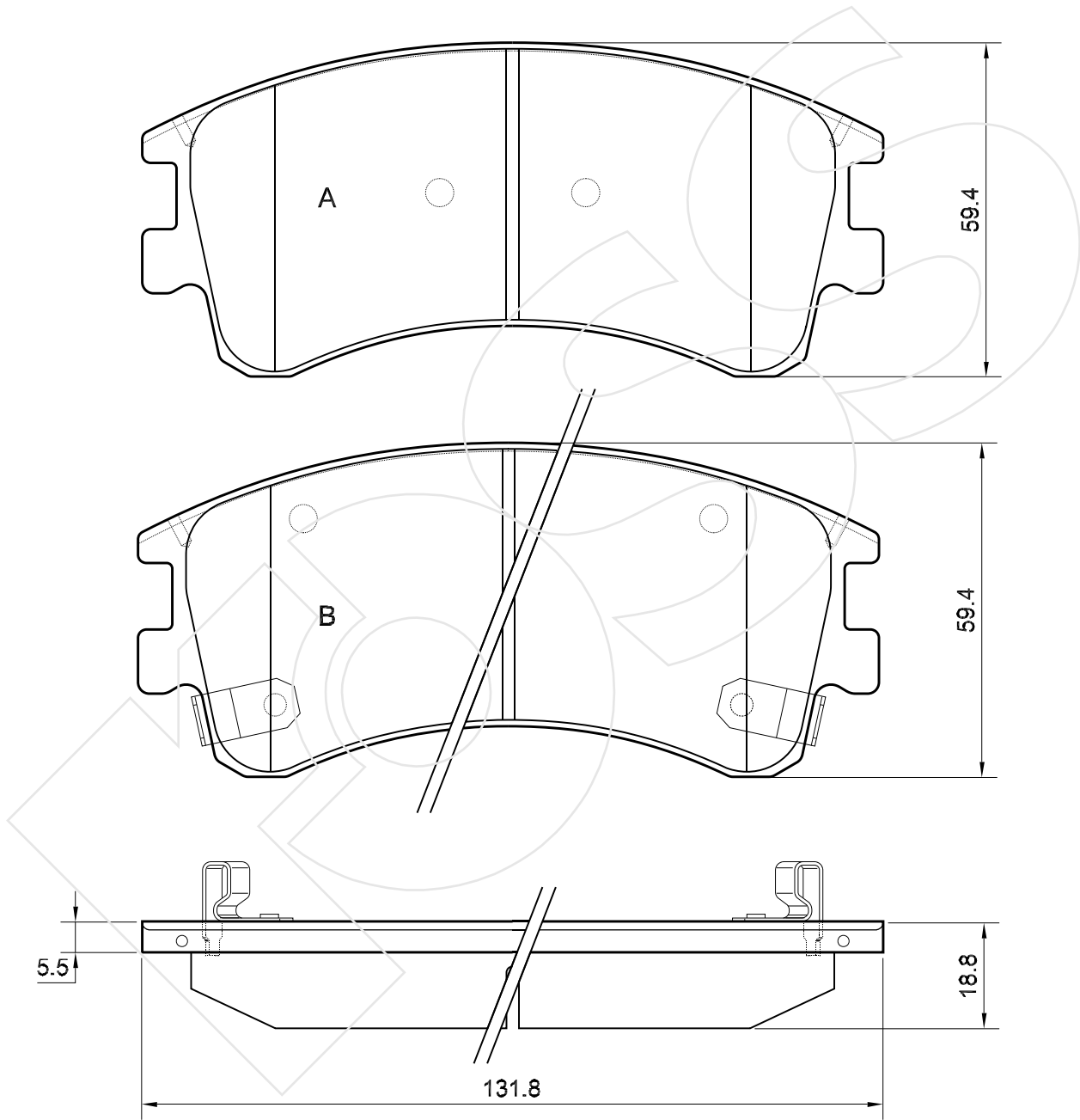


CODICE	IMPIANTO		ASSE	SCALA	APPLICAZIONI
<b>R-1088</b>	ATE		POSTERIORE	1:1	MERCEDES
CODICE COMPONENTI	N°	L(mm)	SERIE		
*	*	*	2 PEZZI TIPO A		
M0175	2	*	2 PEZZI TIPO B		
*	*	*	*		
*	*	*	*		
CODICE ACCESSORI	N°	L(mm)	NOTE		
*	*	*	*		
*	*	*	*		
*	*	*	*		
*	*	*	*		



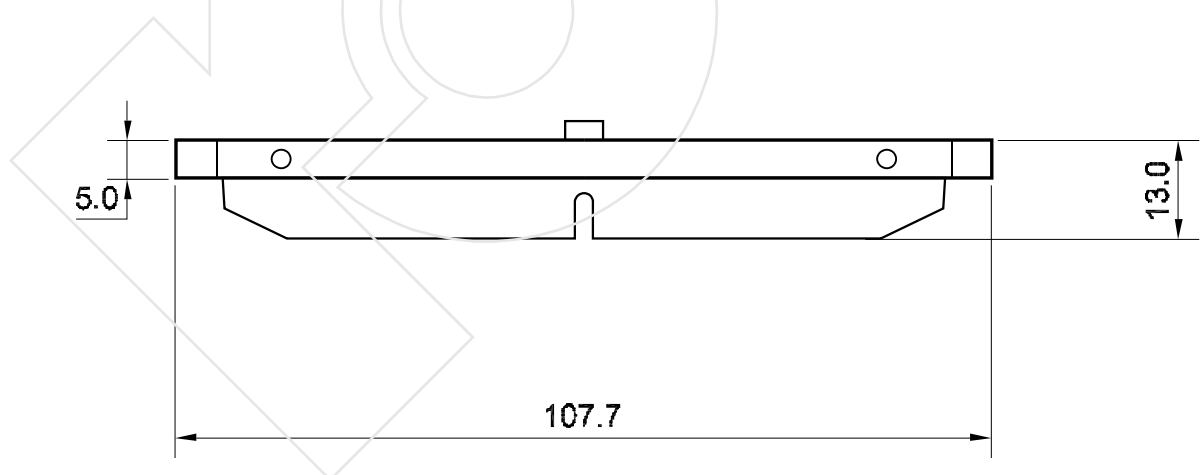
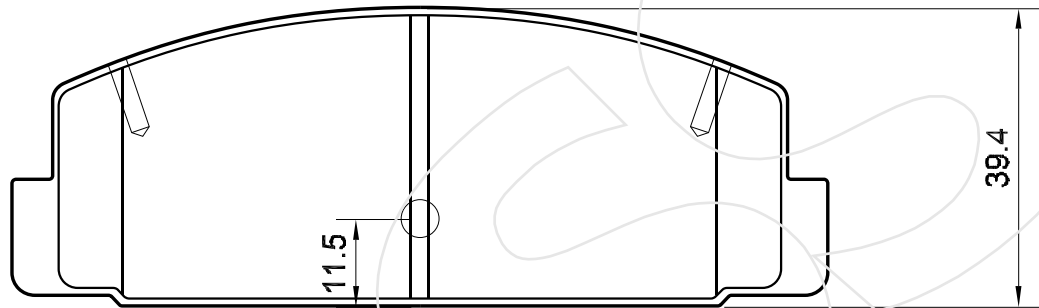
Reference in this Catalogue to other manufactures and to part numbers and other descriptions are for identification purposes only, because the above DISC BRAKE PADS are NOT ORIGINAL but with these interchangeable.

CODICE	IMPIANTO	ASSE	SCALA	APPLICAZIONI
<b>R-1089</b>	SUMITOMO	ANTERIORE	1:1	MAZDA
CODICE COMPONENTI	N°	L(mm)	SERIE	
*	*	*	2 PEZZI TIPO A	
M0044	2	*	2 PEZZI TIPO B	
*	*	*	*	
*	*	*	*	
CODICE ACCESSORI	N°	L(mm)	NOTE	
*	*	*	*	
*	*	*	*	
*	*	*	*	
*	*	*	*	



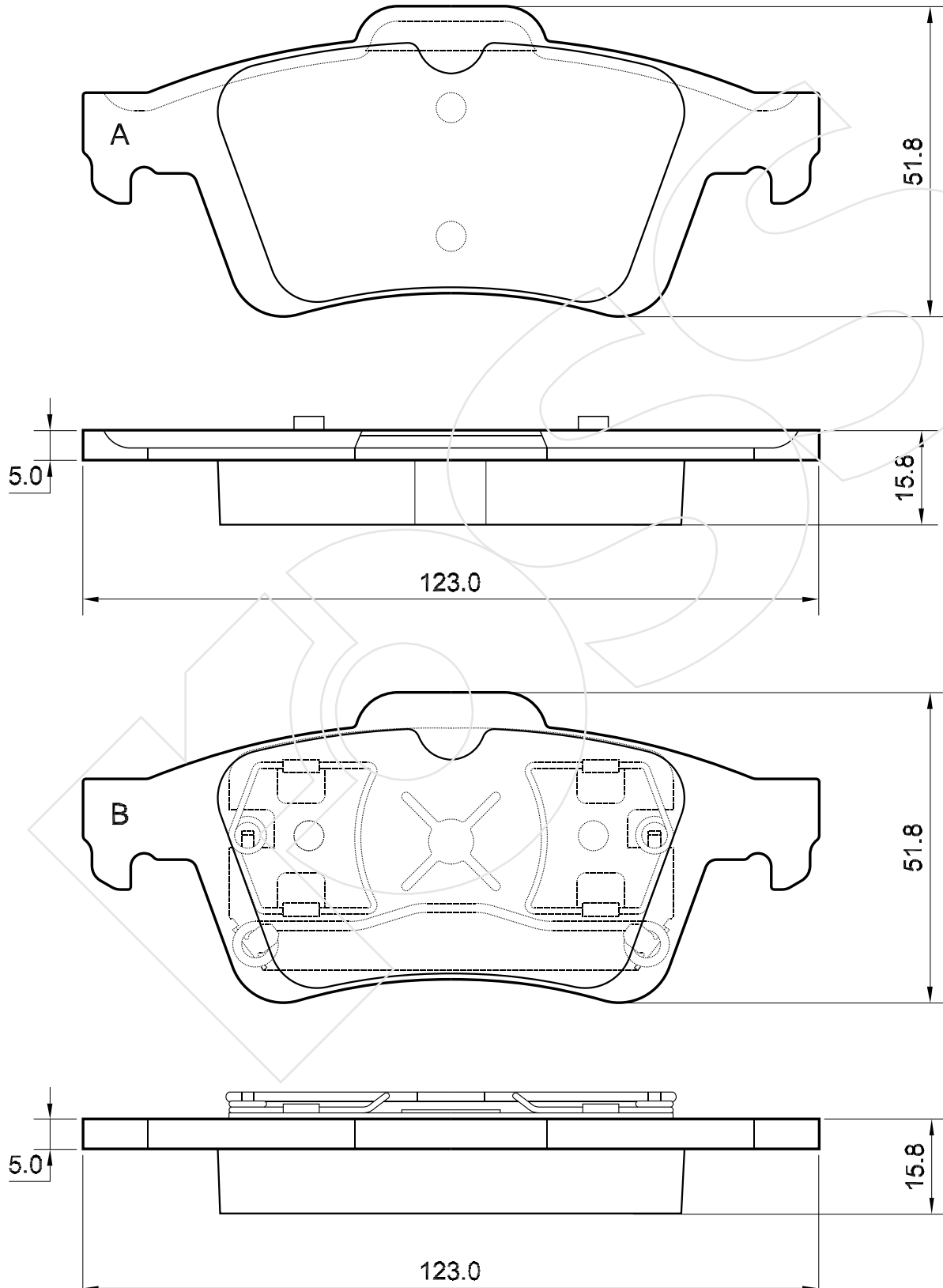
Reference in this Catalogue to other manufactures and to part numbers and other descriptions are for identification purposes only, because the above DISC BRAKE PADS are NOT ORIGINAL but with these interchangeable.

CODICE	IMPIANTO		ASSE	SCALA	APPLICAZIONI
<b>R-1090</b>	AKEBONO		POSTERIORE	1:1	MAZDA
CODICE COMPONENTI	N°	L(mm)	SERIE		
*	*	*	4 PEZZI		
*	*	*			
*	*	*			
*	*	*			
CODICE ACCESSORI	N°	L(mm)			
*	*	*			
*	*	*			
*	*	*			
*	*	*			



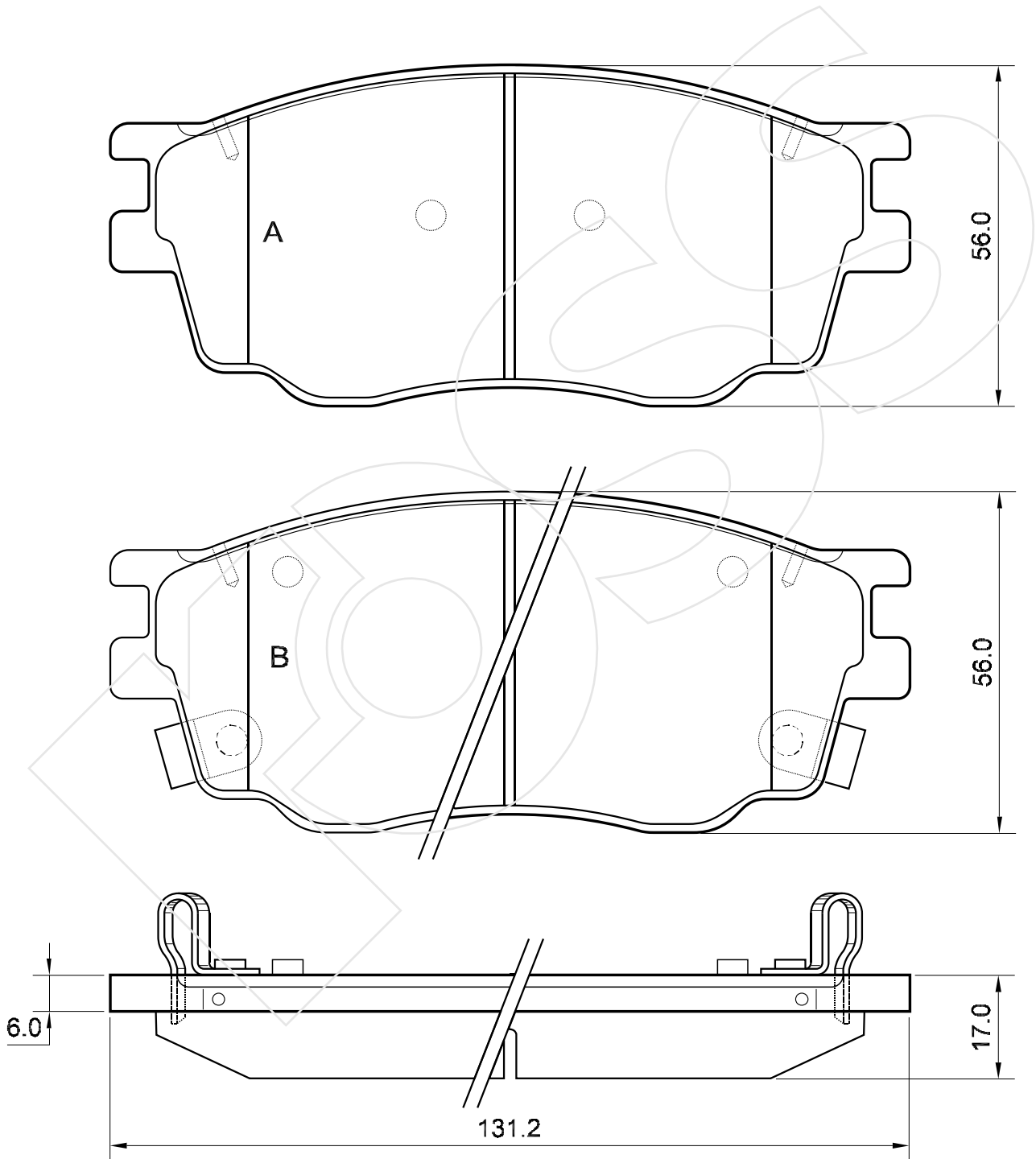
Reference in this Catalogue to other manufactures and to part numbers and other descriptions are for identification purposes only, because the above DISC BRAKE PADS are NOT ORIGINAL but with these interchangeable.

CODICE	IMPIANTO	ASSE	SCALA	APPLICAZIONI
<b>R-1091</b>	ATE	POSTERIORE	1:1	MAZDA
CODICE COMPONENTI	N°	L(mm)	SERIE	
*	*	*	2 PEZZI TIPO A	
M0263	2	*	2 PEZZI TIPO B	
*	*	*	*	
*	*	*	*	
CODICE ACCESSORI	N°	L(mm)	NOTE	
*	*	*	*	
*	*	*	*	
*	*	*	*	
*	*	*	*	



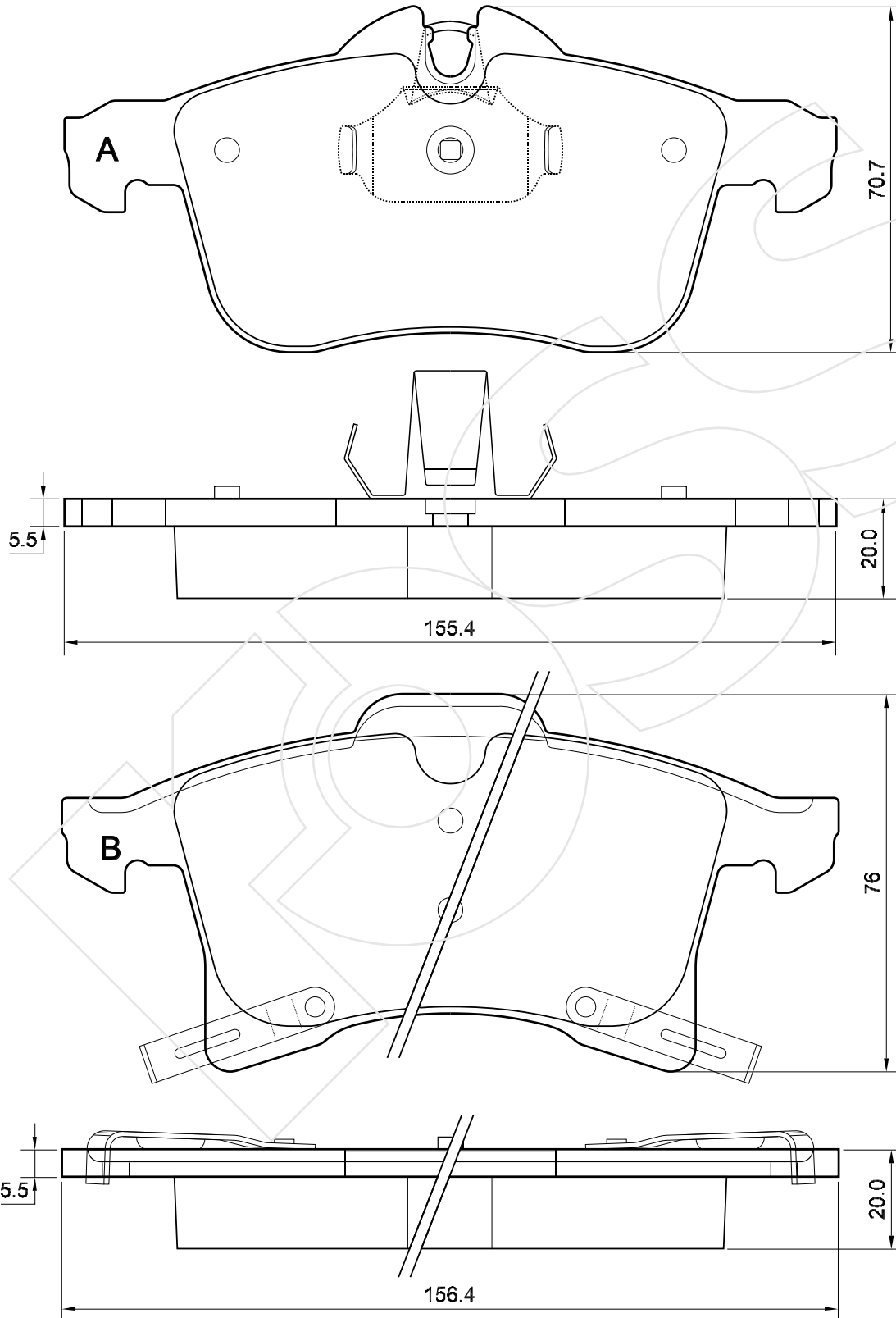
Reference in this Catalogue to other manufactures and to part numbers and other descriptions are for identification purposes only, because the above DISC BRAKE PADS are NOT ORIGINAL but with these interchangeable.

CODICE	IMPIANTO		ASSE	SCALA	APPLICAZIONI
<b>R-1092</b>	SUMITOMO		ANTERIORE	1:1	MAZDA
CODICE COMPONENTI	N°	L(mm)	SERIE		
*	*	*	2 PEZZI TIPO A		
M0199	2	*	2 PEZZI TIPO B		
*	*	*	*		
*	*	*	*		
CODICE ACCESSORI	N°	L(mm)	NOTE		
*	*	*			
*	*	*			
*	*	*			
*	*	*			



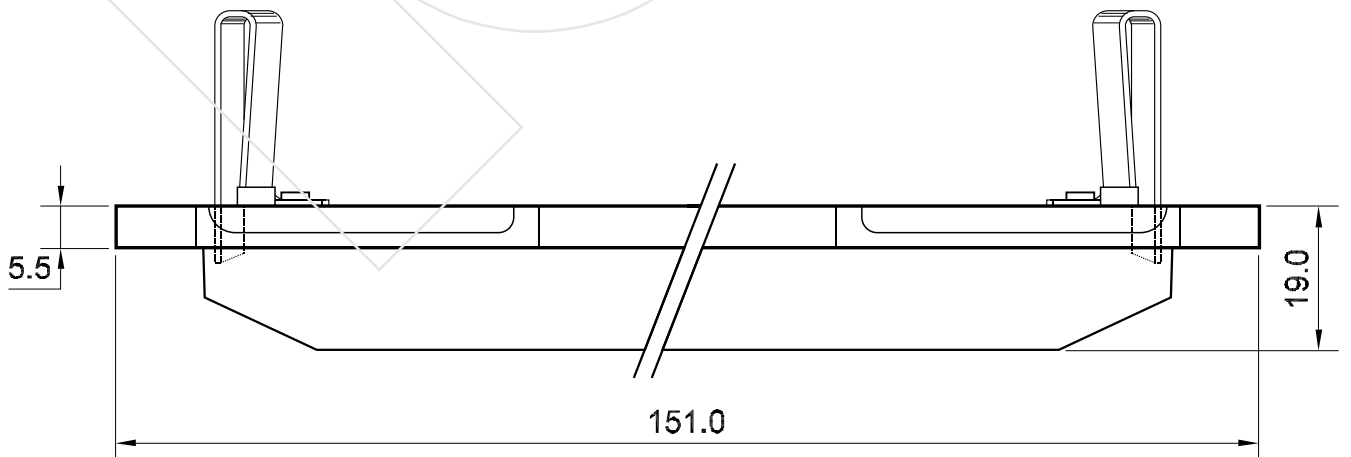
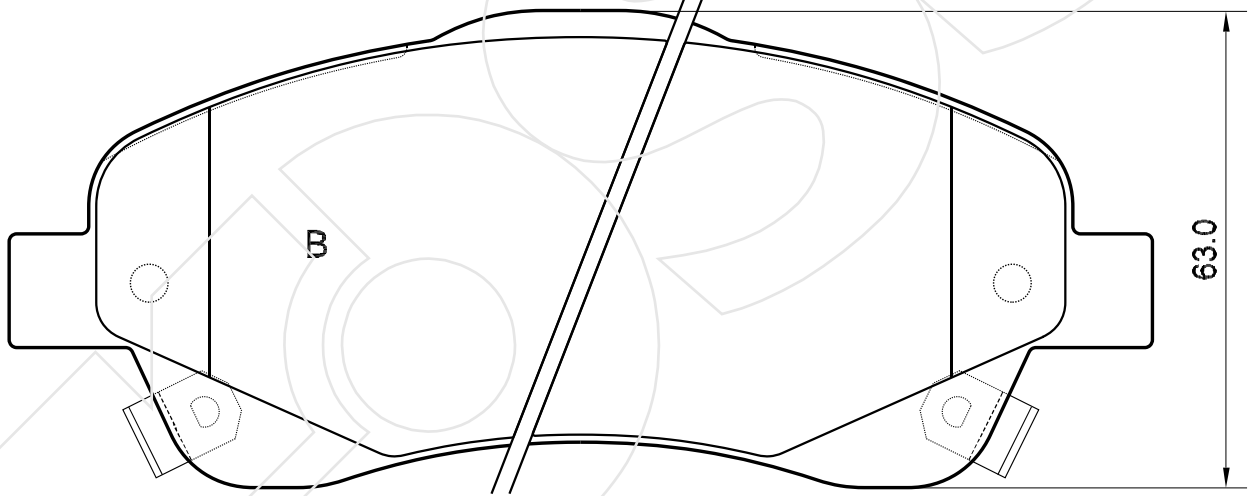
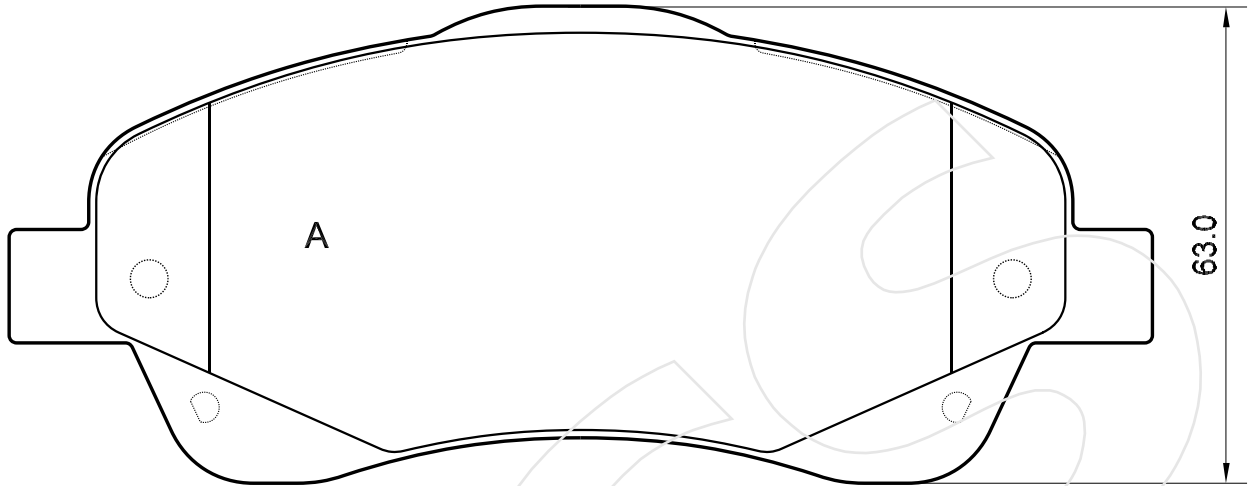
Reference in this Catalogue to other manufactures and to part numbers and other descriptions are for identification purposes only, because the above DISC BRAKE PADS are NOT ORIGINAL but with these interchangeable.

CODICE	IMPIANTO		ASSE	SCALA	APPLICAZIONI
<b>R-1093</b>	ATE		ANTERIORE	80%	OPEL
CODICE COMPONENTI	N°	L(mm)	SERIE		
M0132	2	*	2 PEZZI TIPO A		
M0157	2	*	2 PEZZI TIPO B		
*	*	*	*		
*	*	*	*		
CODICE ACCESSORI	N°	L(mm)	NOTE		
*	*	*			
*	*	*			
*	*	*			
*	*	*			



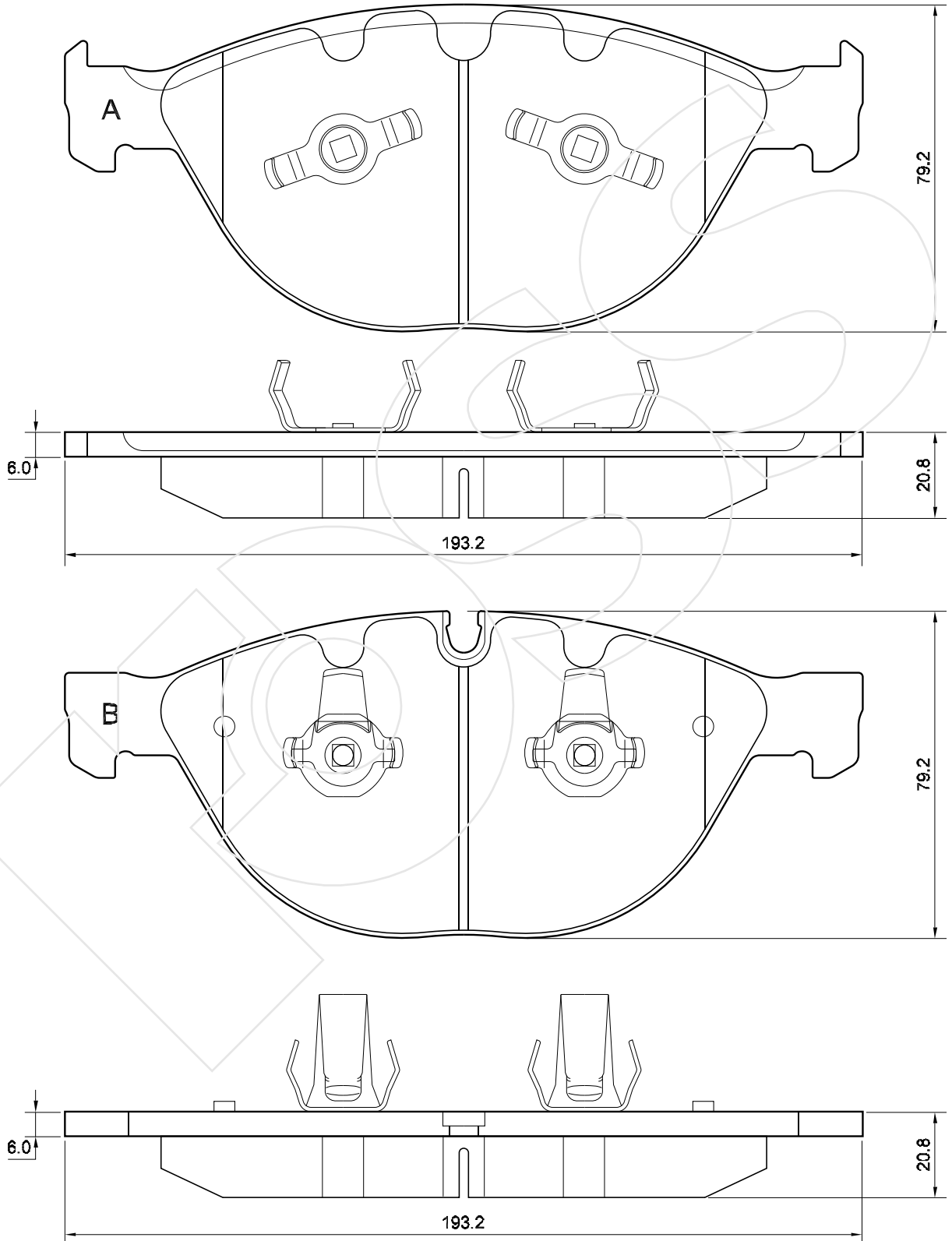
Reference in this Catalogue to other manufactures and to part numbers and other descriptions are for identification purposes only, because the above DISC BRAKE PADS are NOT ORIGINAL but with these interchangeable.

CODICE	IMPIANTO		ASSE	SCALA	APPLICAZIONI
<b>R-1094</b>	BOSCH		ANTERIORE	1:1	TOYOTA
CODICE COMPONENTI	N°	L(mm)	SERIE		
*	*	*	2 PEZZI TIPO A		
M0156	2	*	2 PEZZI TIPO B		
*	*	*	*		
*	*	*	*		
CODICE ACCESSORI	N°	L(mm)	NOTE		
*	*	*			
*	*	*			
*	*	*			
*	*	*			



Reference in this Catalogue to other manufactures and to part numbers and other descriptions are for identification purposes only, because the above DISC BRAKE PADS are NOT ORIGINAL but with these interchangeable.

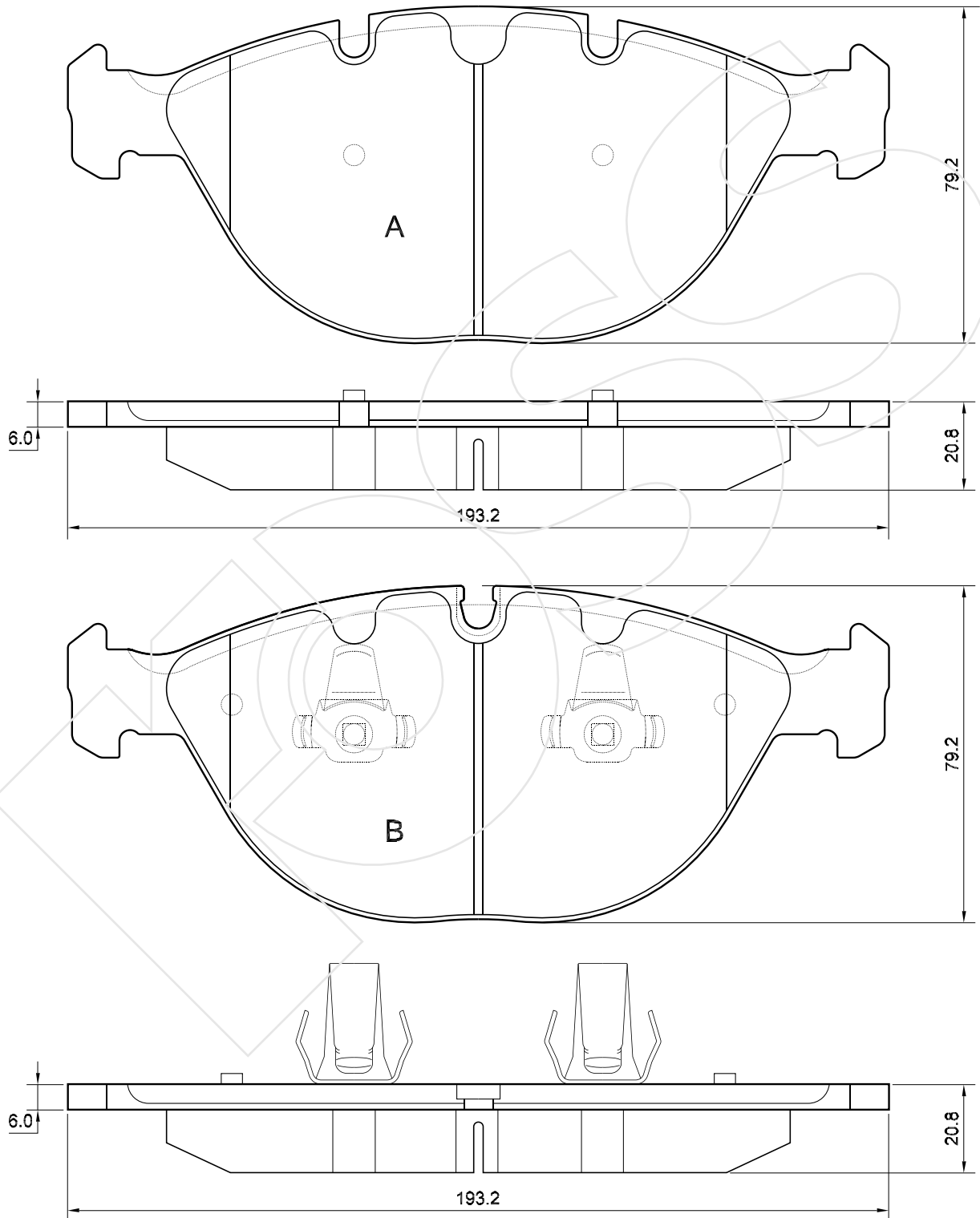
CODICE	IMPIANTO		ASSE	SCALA	APPLICAZIONI
<b>R-1095</b>	ATE		ANTERIORE	70%	BMW
CODICE COMPONENTI	N°	L(mm)	SERIE		
M0298	4	*	2 PEZZI TIPO A		
M0299	4	*	2 PEZZI TIPO B		
*	*	*	*		
*	*	*	*		
CODICE ACCESSORI	N°	L(mm)	NOTE		
*	*	*			
*	*	*			
*	*	*			
*	*	*			



Reference in this Catalogue to other manufactures and to part numbers and other descriptions are for identification purposes only, because the above DISC BRAKE PADS are NOT ORIGINAL but with these interchangeable.

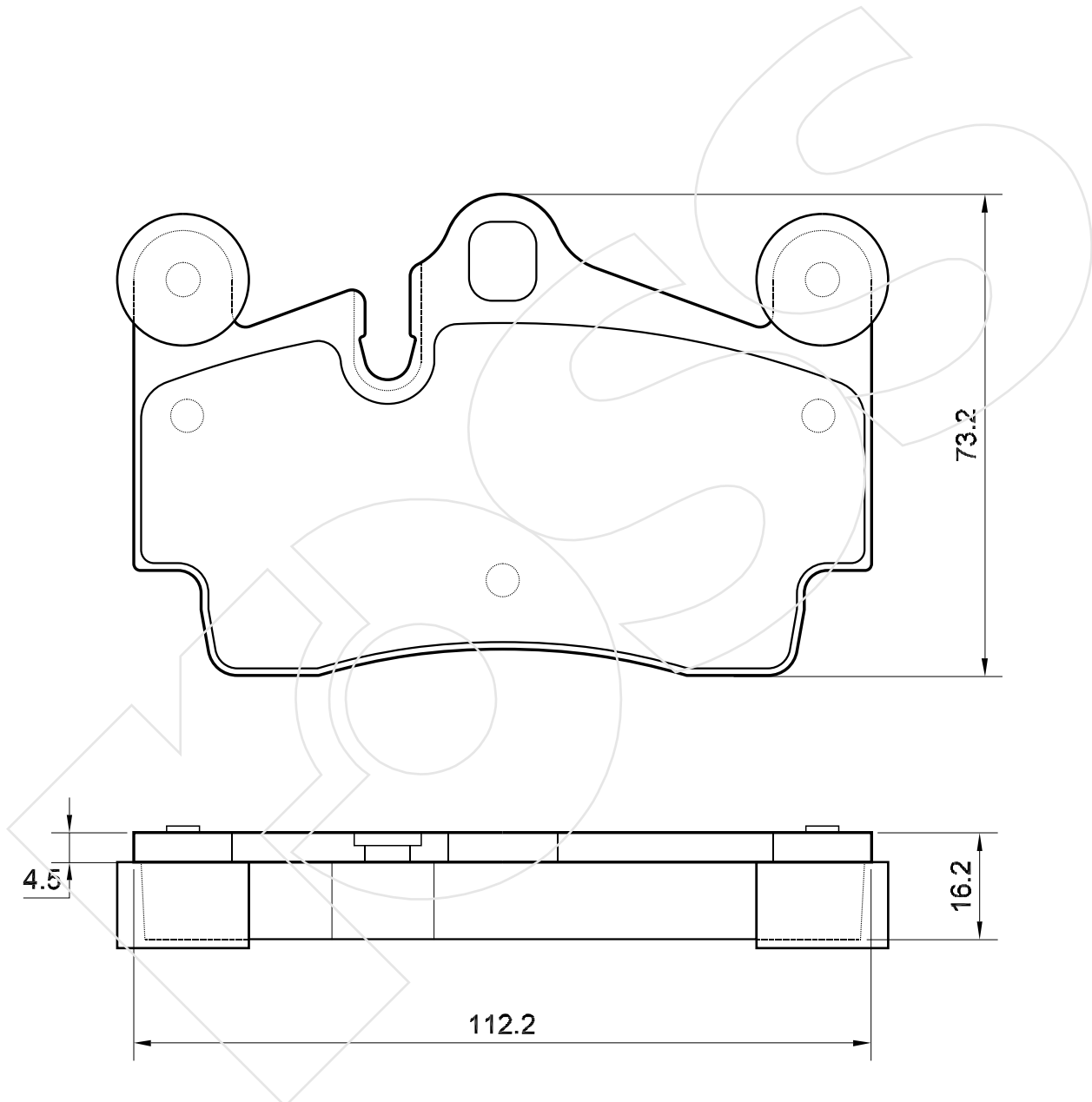


CODICE	IMPIANTO		ASSE	SCALA	APPLICAZIONI
<b>R-1096</b>	ATE		ANTERIORE	70%	BMW
CODICE COMPONENTI	N°	L(mm)	SERIE		
*	*	*	2 PEZZI TIPO A		
M0145	4	*	2 PEZZI TIPO B		
*	*	*	*		
*	*	*	*		
CODICE ACCESSORI	N°	L(mm)	NOTE		
*	*	*			
*	*	*			
*	*	*			
*	*	*			



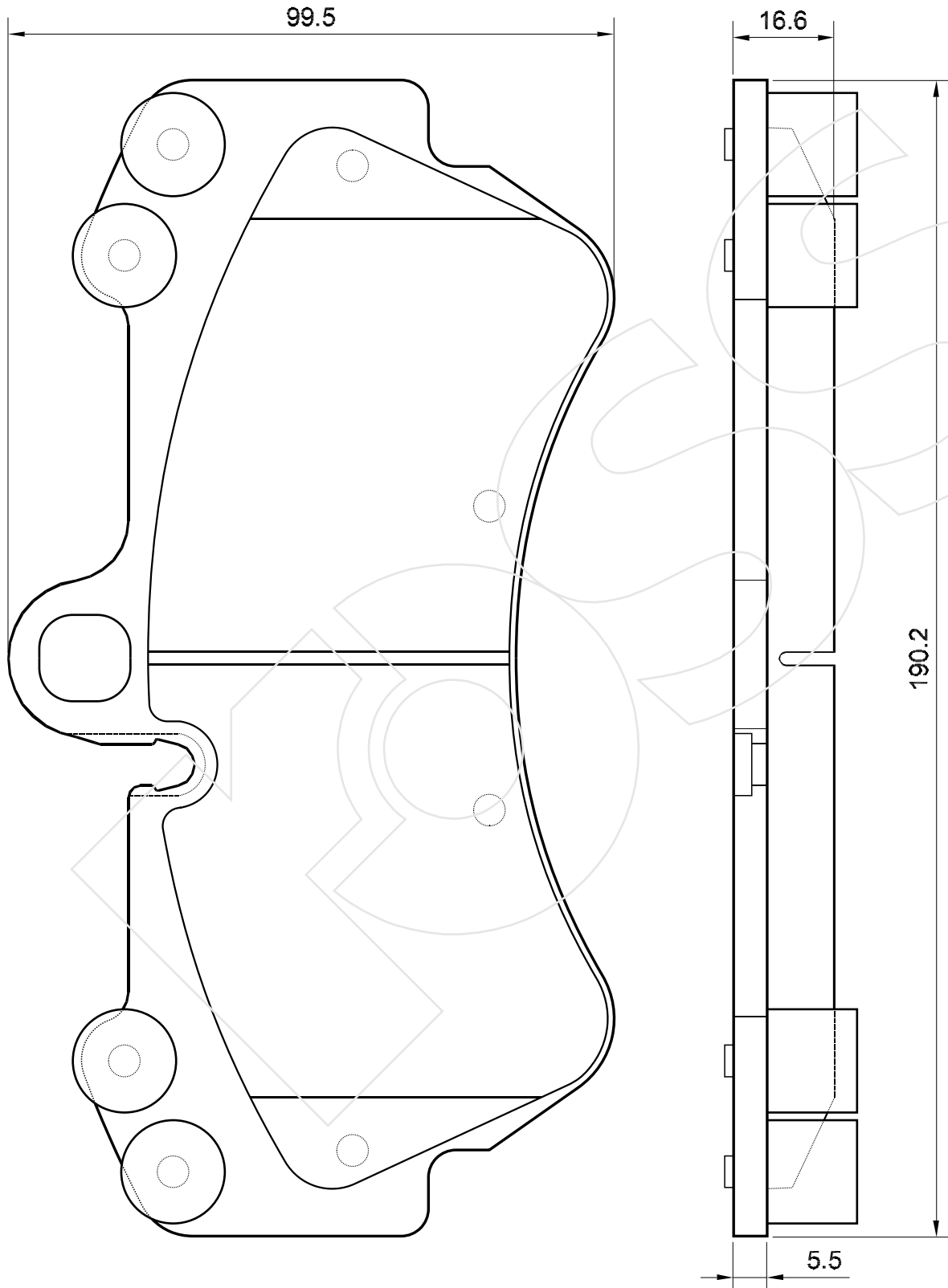
Reference in this Catalogue to other manufactures and to part numbers and other descriptions are for identification purposes only, because the above DISC BRAKE PADS are NOT ORIGINAL but with these interchangeable.

CODICE	IMPIANTO		ASSE	SCALA	APPLICAZIONI
<b>R-1097</b>	BREMBO		POSTERIORE	1:1	VOLKSWAGEN
CODICE COMPONENTI	N°	L(mm)	SERIE		PORSCHE
M0291	8	*	4 PEZZI		
*	*	*	*		
*	*	*	*		
*	*	*	*		
CODICE ACCESSORI	N°	L(mm)	NOTE		
*	*	*			
*	*	*			
*	*	*			
*	*	*			



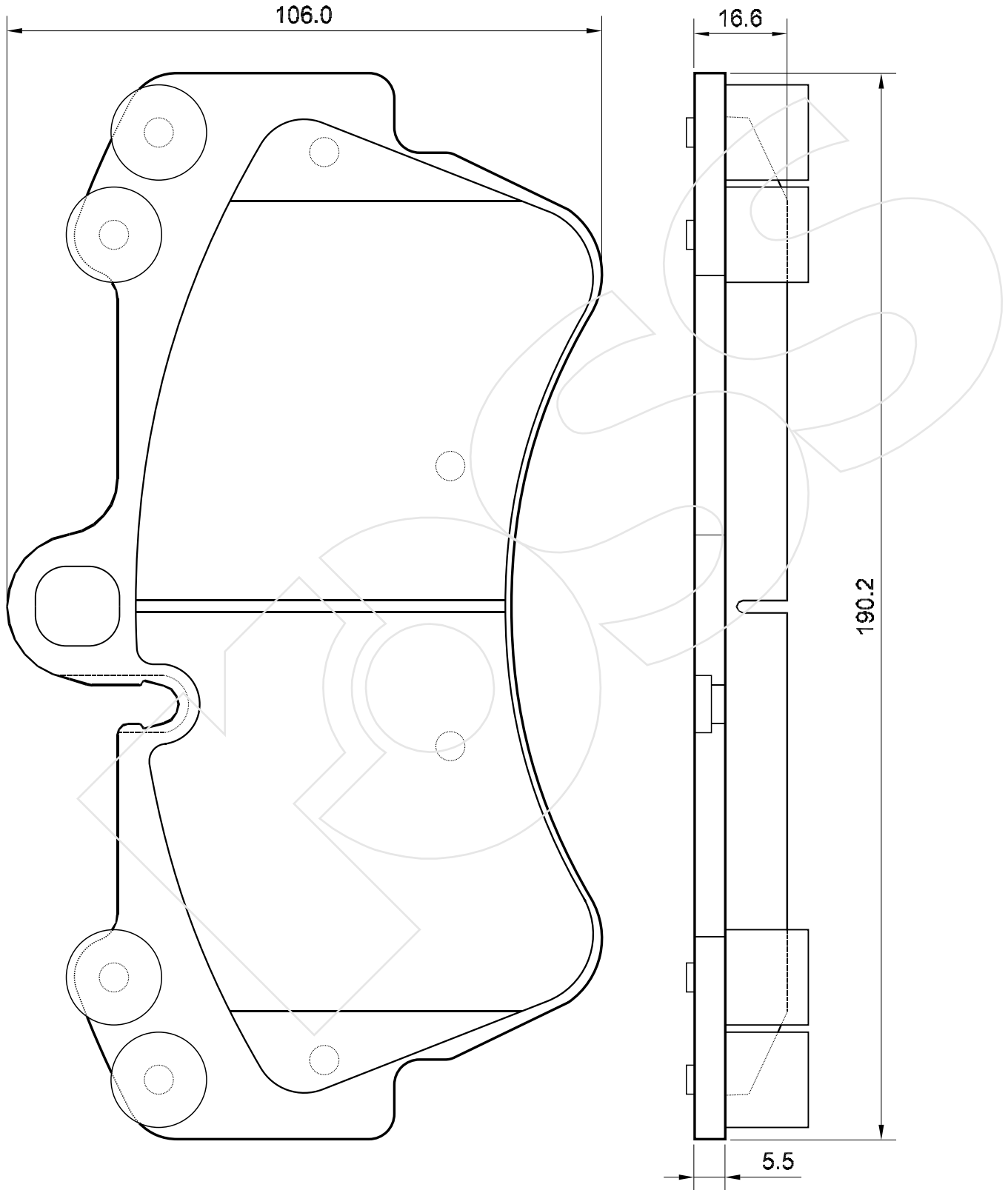
Reference in this Catalogue to other manufactures and to part numbers and other descriptions are for identification purposes only, because the above DISC BRAKE PADS are NOT ORIGINAL but with these interchangeable.

CODICE	IMPIANTO		ASSE	SCALA	APPLICAZIONI
<b>R-1098</b>	BREMBO		ANTERIORE	1:1	VOLKSWAGEN
CODICE COMPONENTI	N°	L(mm)	SERIE		
M0291	16	*	4 PEZZI		
*	*	*	*		
*	*	*	*		
*	*	*	*		
CODICE ACCESSORI	N°	L(mm)	NOTE		
*	*	*			
*	*	*			
*	*	*			
*	*	*			



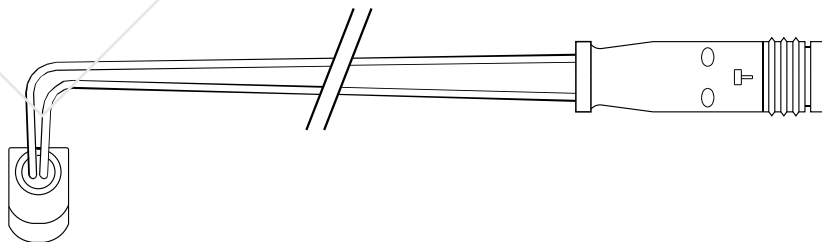
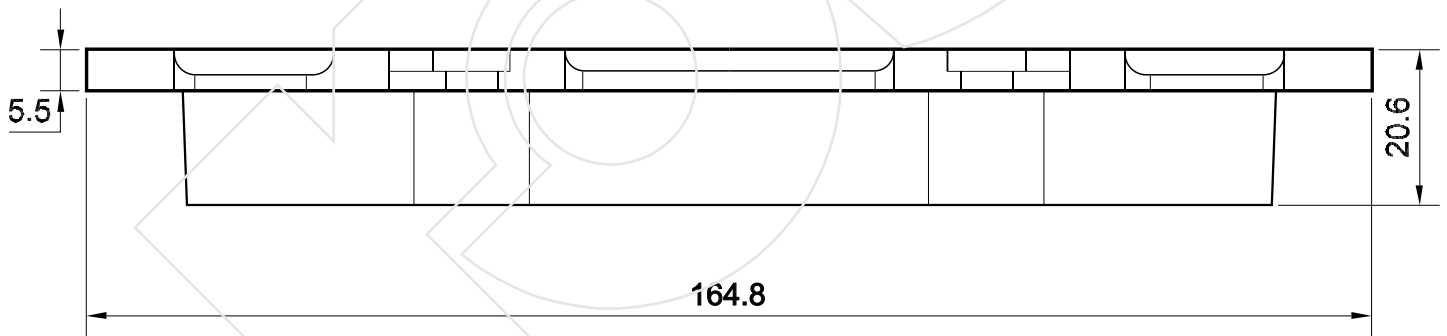
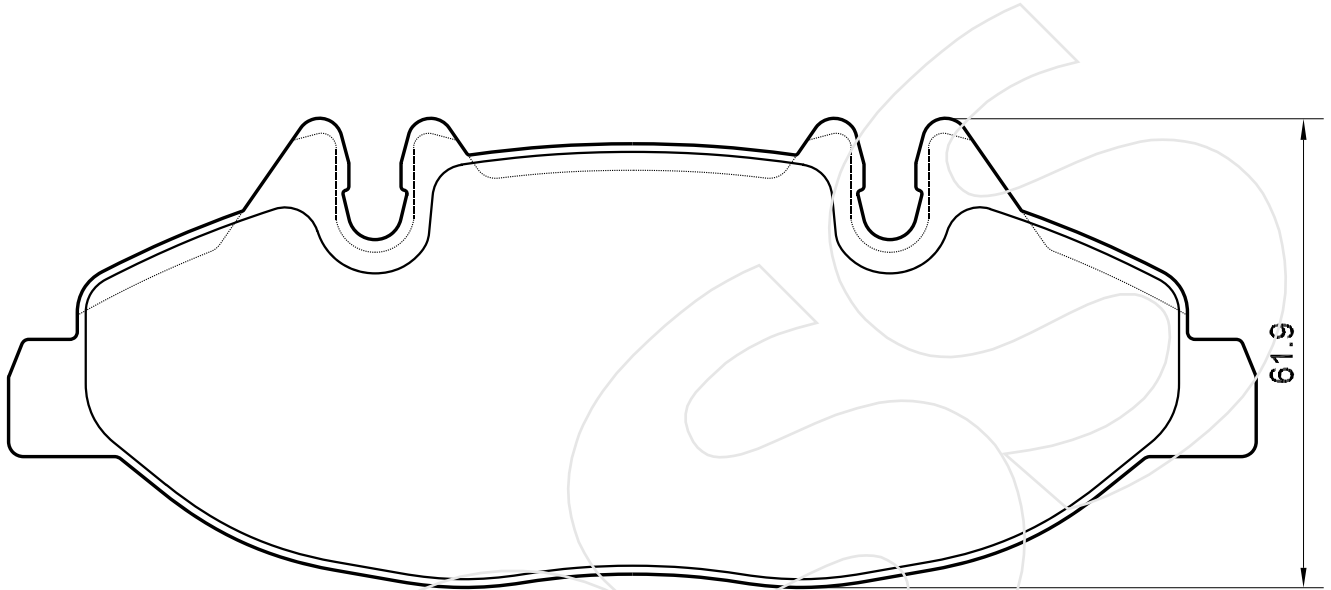
Reference in this Catalogue to other manufactures and to part numbers and other descriptions are for identification purposes only, because the above DISC BRAKE PADS are NOT ORIGINAL but with these interchangeable.

CODICE	IMPIANTO		ASSE	SCALA	APPLICAZIONI
<b>R-1099</b>	BREMBO		ANTERIORE	1:1	VOLKSWAGEN PORSCHE
CODICE COMPONENTI	N°	L(mm)	SERIE		
M0291	16	*	4 PEZZI		
*	*	*	*		
*	*	*	*		
*	*	*	*		
CODICE ACCESSORI	N°	L(mm)	NOTE		
*	*	*			
*	*	*			
*	*	*			
*	*	*			



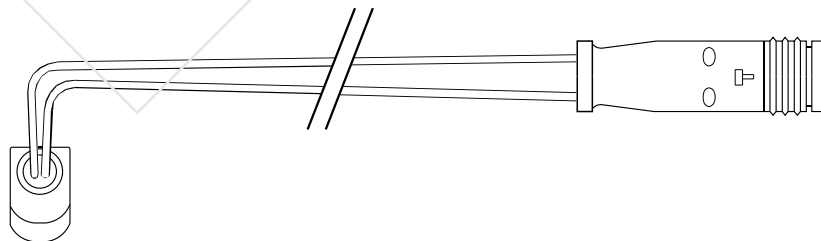
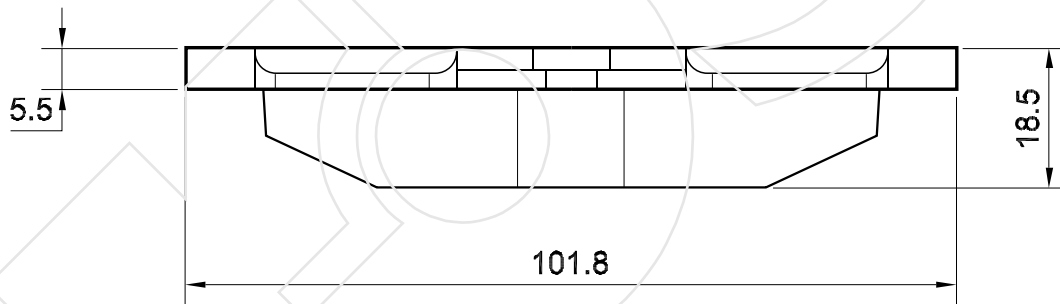
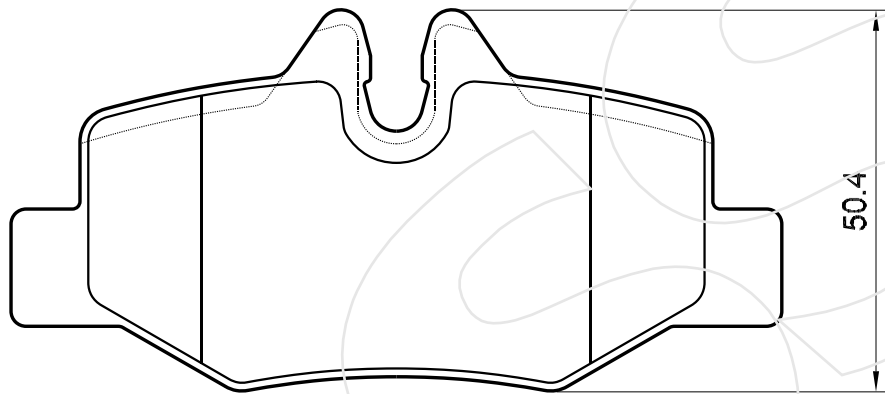
Reference in this Catalogue to other manufactures and to part numbers and other descriptions are for identification purposes only, because the above DISC BRAKE PADS are NOT ORIGINAL but with these interchangeable.

CODICE	IMPIANTO		ASSE	SCALA	APPLICAZIONI
<b>R-1100</b>	BOSCH		ANTERIORE	1:1	MERCEDES
CODICE COMPONENTI	N°	L(mm)	SERIE		
F3146	2	100	4 PEZZI		
*	*	*	*		
*	*	*	*		
*	*	*	*		
CODICE ACCESSORI	N°	L(mm)	NOTE		
*	*	*			
*	*	*			
*	*	*			
*	*	*			



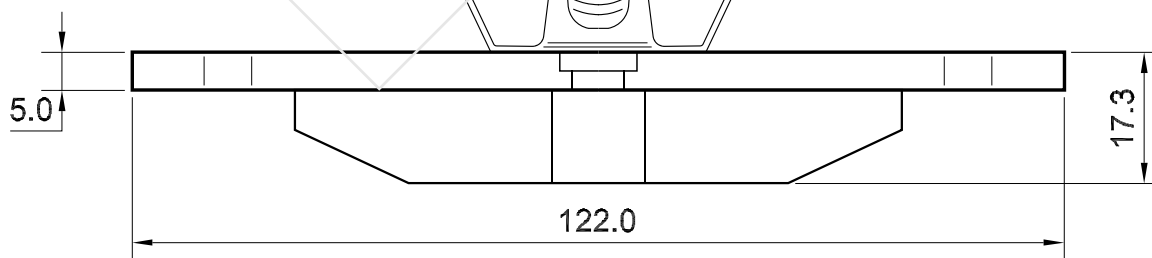
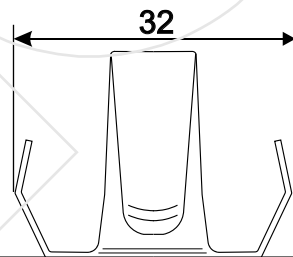
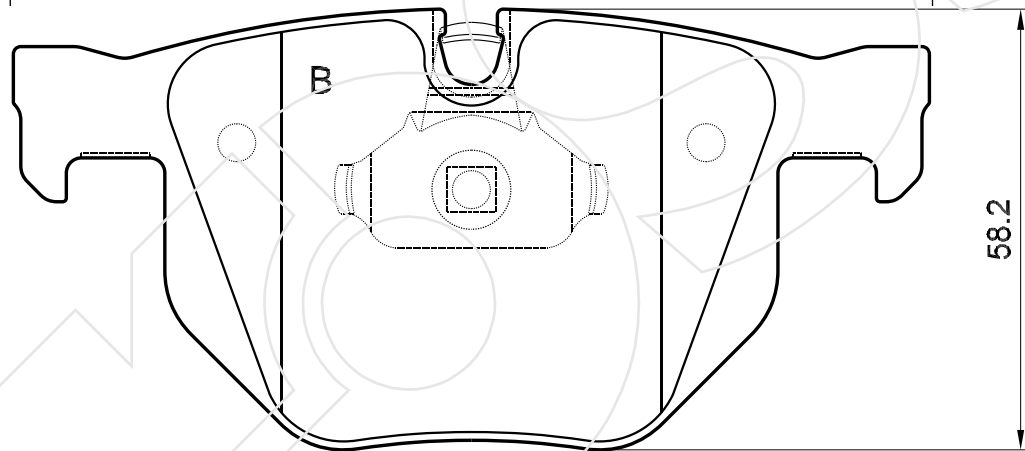
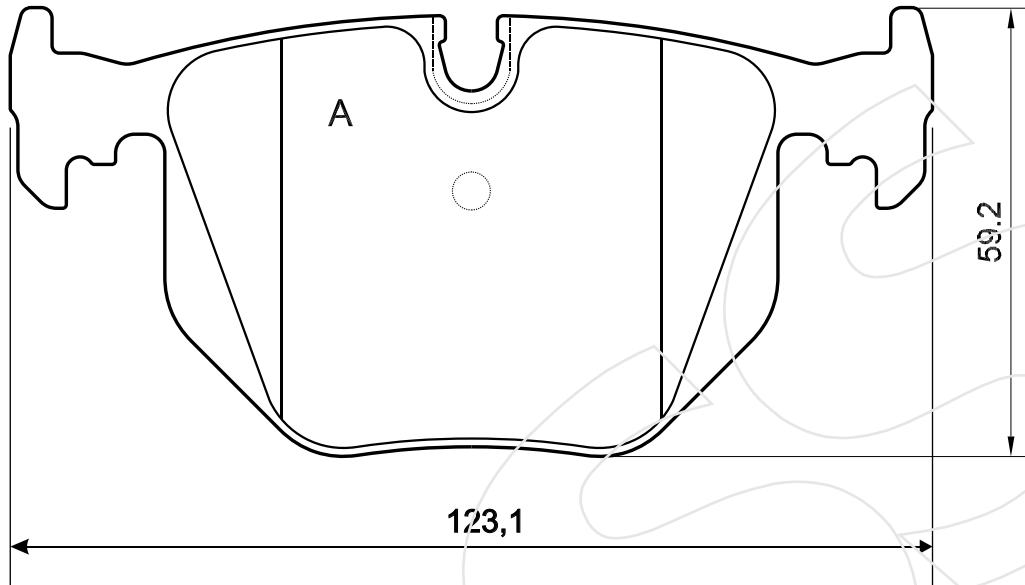
Reference in this Catalogue to other manufactures and to part numbers and other descriptions are for identification purposes only, because the above DISC BRAKE PADS are NOT ORIGINAL but with these interchangeable.

CODICE	IMPIANTO		ASSE	SCALA	APPLICAZIONI
<b>R-1101</b>	BOSCH		POSTERIORE	1:1	MERCEDES
CODICE COMPONENTI	N°	L(mm)	SERIE		
F3146	2	100	4 PEZZI		
*	*	*	*		
*	*	*	*		
*	*	*	*		
CODICE ACCESSORI	N°	L(mm)	NOTE		
*	*	*			
*	*	*			
*	*	*			
*	*	*			



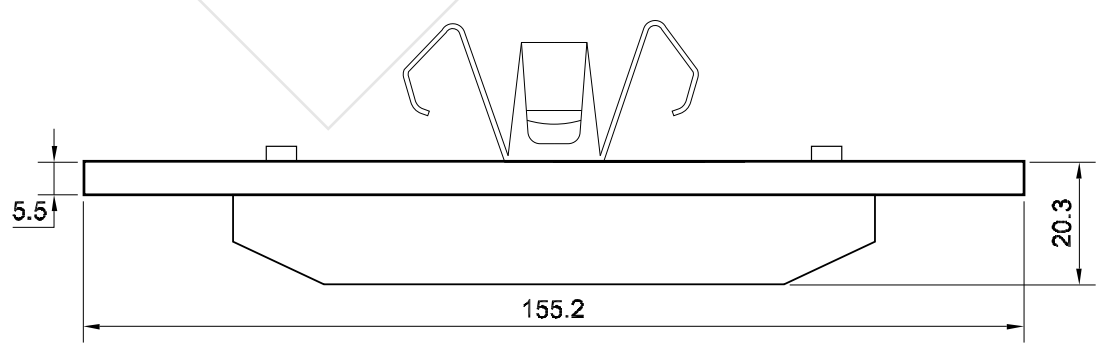
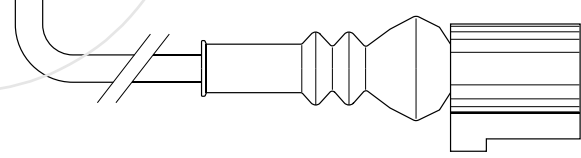
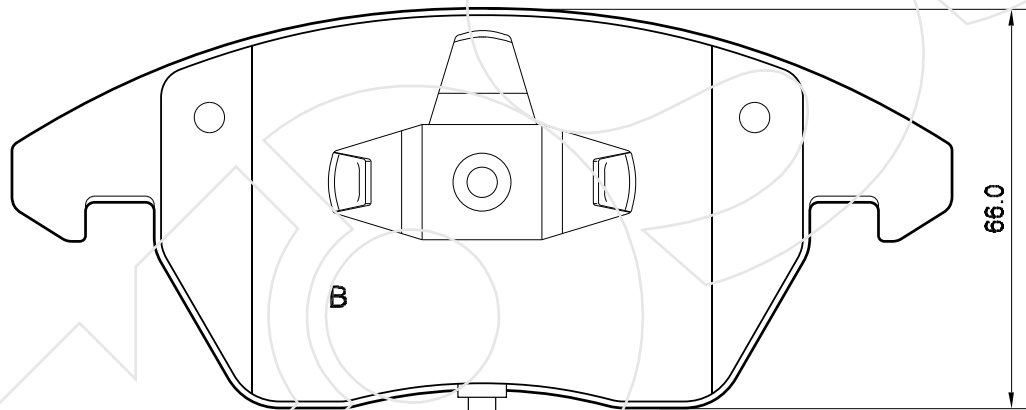
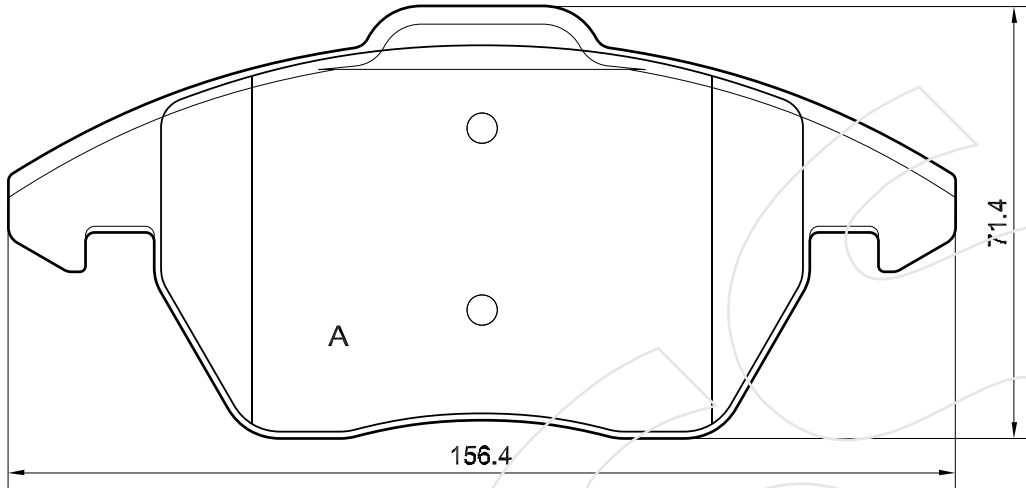
Reference in this Catalogue to other manufactures and to part numbers and other descriptions are for identification purposes only, because the above DISC BRAKE PADS are NOT ORIGINAL but with these interchangeable.

CODICE	IMPIANTO		ASSE	SCALA	APPLICAZIONI
<b>R-1102</b>	ATE		POSTERIORE	1:1	BMW
CODICE COMPONENTI	N°	L(mm)	SERIE		
*	*	*	2 PEZZI TIPO A		
M0352	2	*	2 PEZZI TIPO B		
*	*	*	*		
*	*	*	*		
CODICE ACCESSORI	N°	L(mm)	NOTE		
*	*	*			
*	*	*			
*	*	*			
*	*	*			



Reference in this Catalogue to other manufactures and to part numbers and other descriptions are for identification purposes only, because the above DISC BRAKE PADS are NOT ORIGINAL but with these interchangeable.

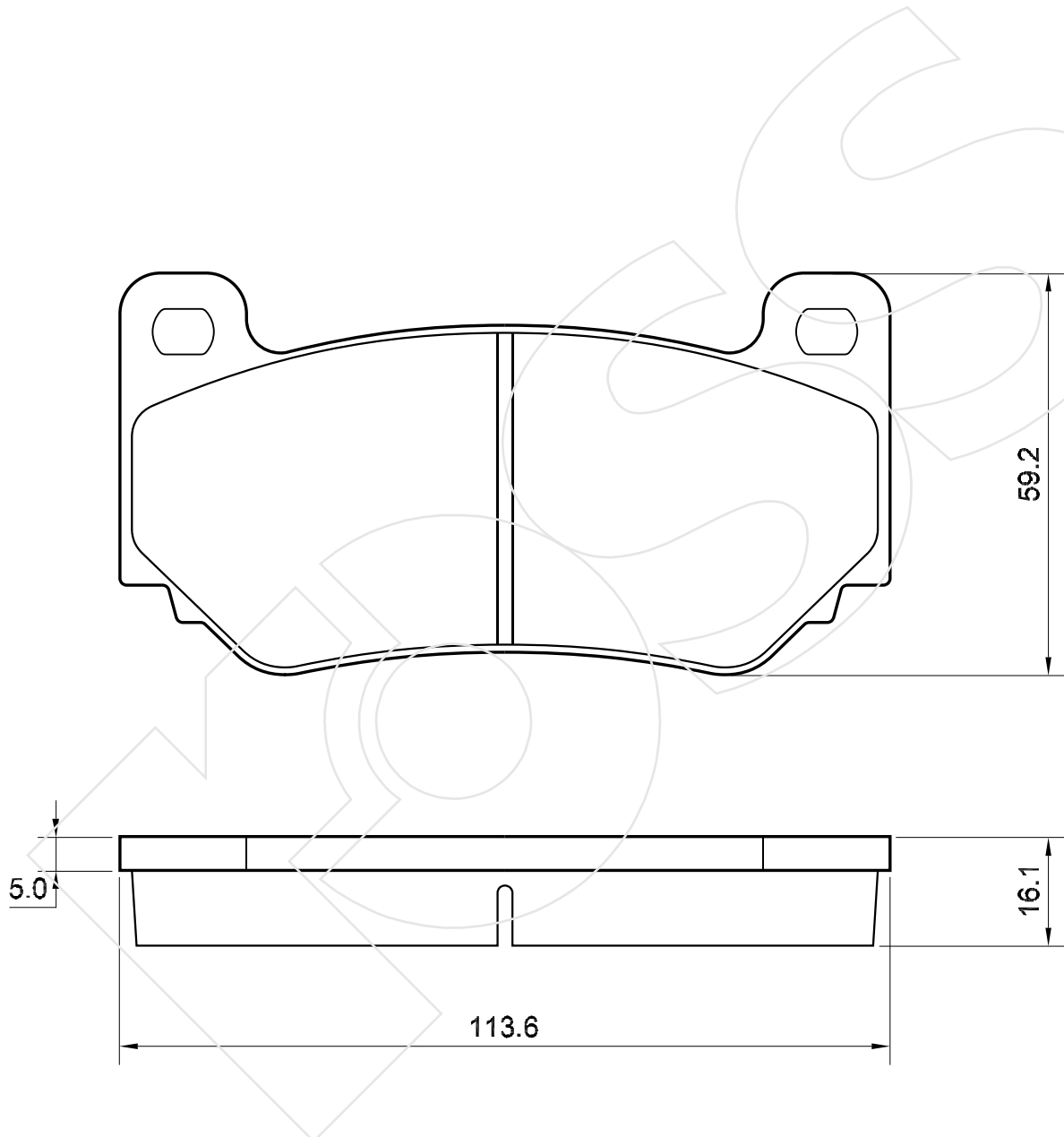
CODICE	IMPIANTO		ASSE	SCALA	APPLICAZIONI
<b>R-1103</b>	ATE		ANTERIORE	80%	AUDI
CODICE COMPONENTI	N°	L(mm)	SERIE		VOLKSWAGEN
*	*	*	2 PEZZI TIPO A		
M0284+F3114	2+2	155	2 PEZZI TIPO B		
*	*	*	*		
*	*	*	*		
CODICE ACCESSORI	N°	L(mm)	NOTE		
*	*	*			
*	*	*			
*	*	*			
*	*	*			



Reference in this Catalogue to other manufactures and to part numbers and other descriptions are for identification purposes only, because the above DISC BRAKE PADS are NOT ORIGINAL but with these interchangeable.

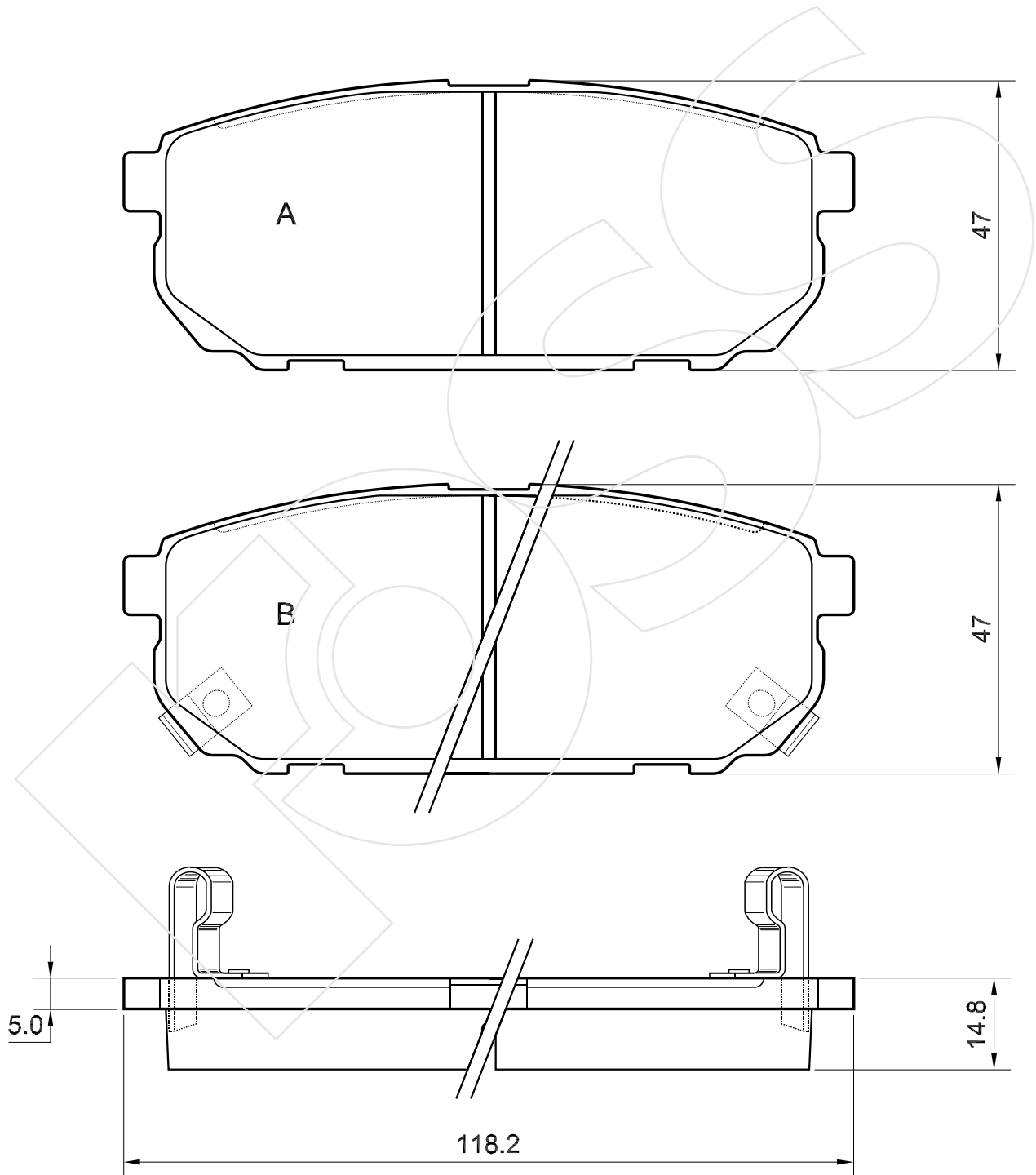


CODICE	IMPIANTO		ASSE	SCALA	APPLICAZIONI
<b>R-1104</b>	LOCKEED		ANTERIORE	1:1	ROVER/MG
CODICE COMPONENTI	N°	L(mm)	SERIE		
*	*	*	4 PEZZI		
*	*	*			
*	*	*			
*	*	*			
CODICE ACCESSORI	N°	L(mm)	NOTE		
*	*	*			
*	*	*			
*	*	*			
*	*	*			



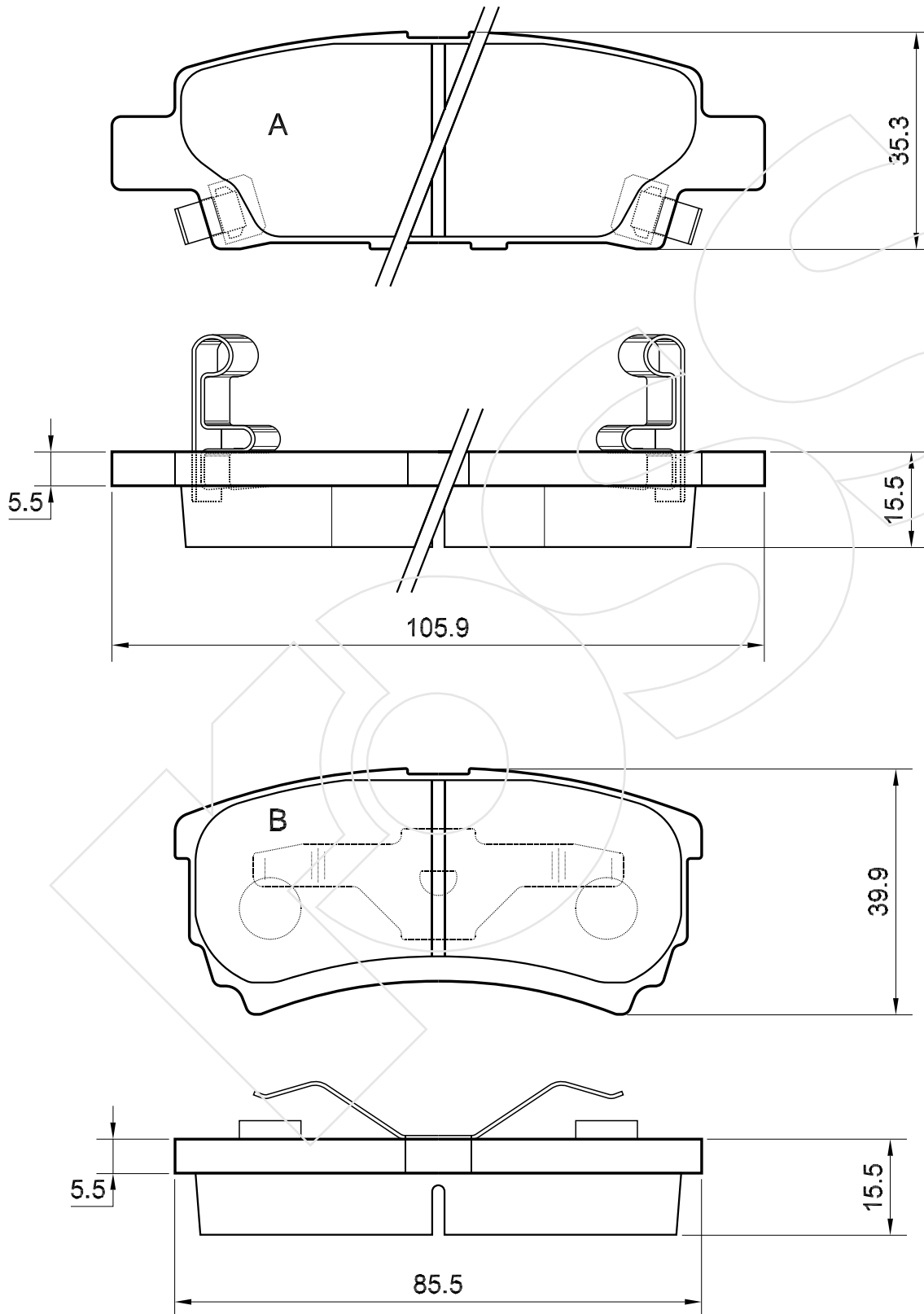
Reference in this Catalogue to other manufactures and to part numbers and other descriptions are for identification purposes only, because the above DISC BRAKE PADS are NOT ORIGINAL but with these interchangeable.

CODICE	IMPIANTO		ASSE	SCALA	APPLICAZIONI
<b>R-1105</b>	SUMITOMO		POSTERIORE	1:1	KIA
CODICE COMPONENTI	N°	L(mm)	SERIE		
*	*	*	2 PEZZI TIPO A		
M0279	2	*	2 PEZZI TIPO B		
*	*	*	*		
*	*	*	*		
CODICE ACCESSORI	N°	L(mm)	NOTE		
*	*	*			
*	*	*			
*	*	*			
*	*	*			



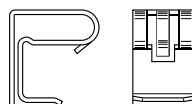
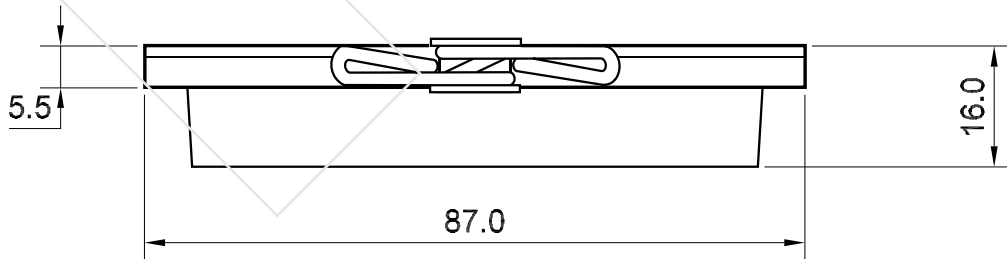
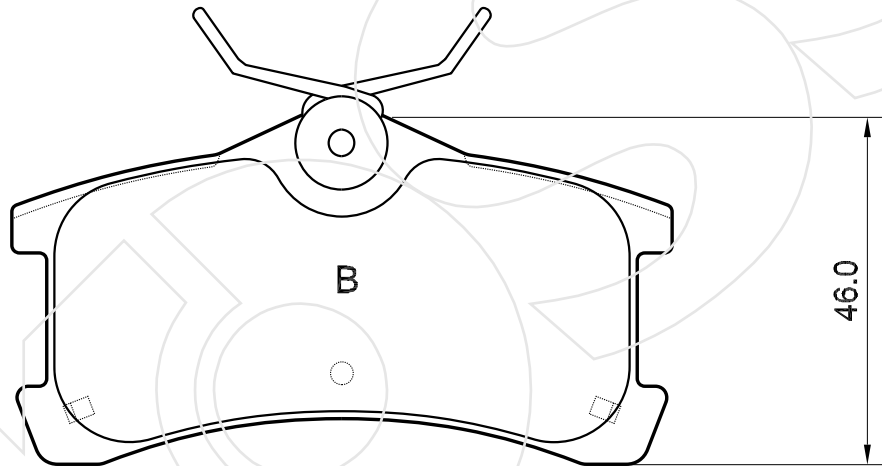
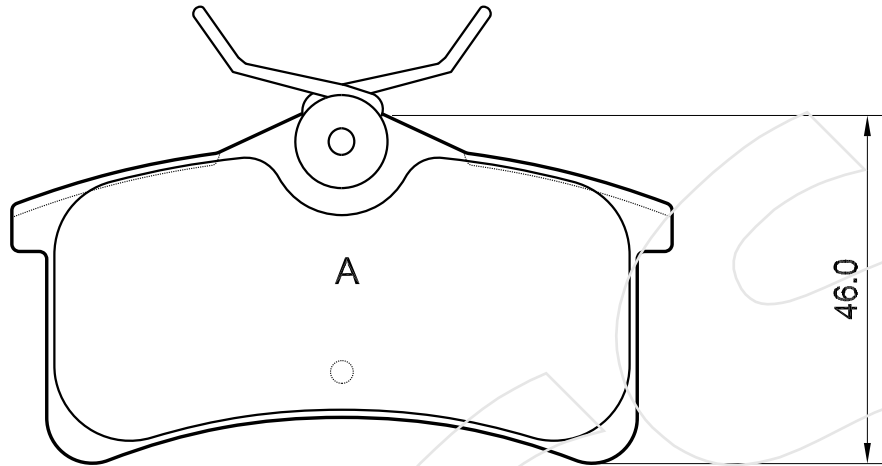
Reference in this Catalogue to other manufactures and to part numbers and other descriptions are for identification purposes only, because the above DISC BRAKE PADS are NOT ORIGINAL but with these interchangeable.

CODICE	IMPIANTO		ASSE	SCALA	APPLICAZIONI
<b>R-1106</b>	AKEBONO		POSTERIORE	1:1	MITSUBISHI
CODICE COMPONENTI	N°	L(mm)	SERIE		
M0251	2	*	2 PEZZI TIPO A		
M0072	2	*	2 PEZZI TIPO B		
*	*	*	*		
*	*	*	*		
CODICE ACCESSORI	N°	L(mm)	NOTE		
*	*	*			
*	*	*			
*	*	*			
*	*	*			



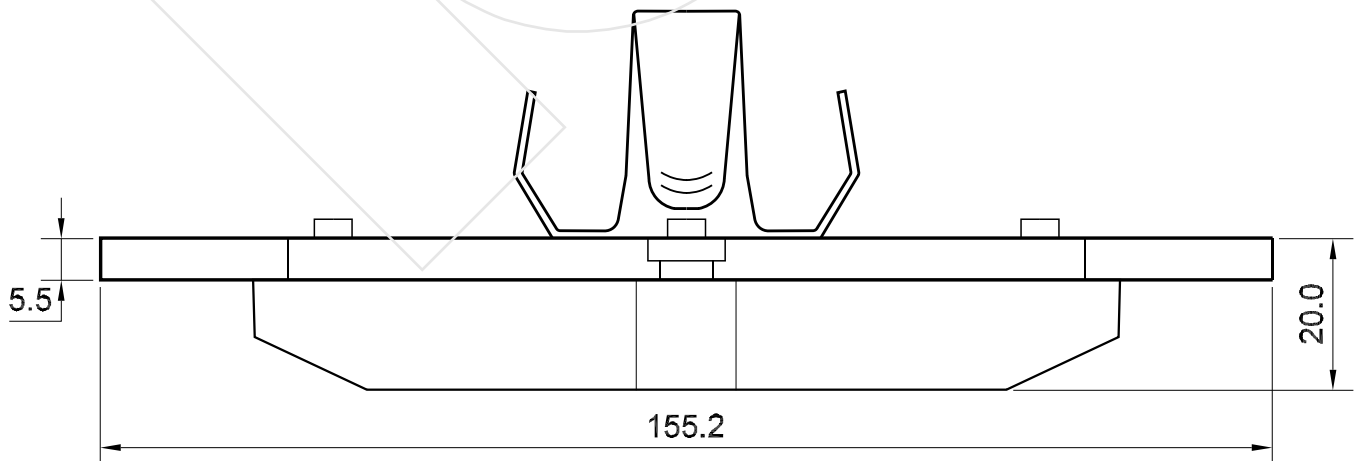
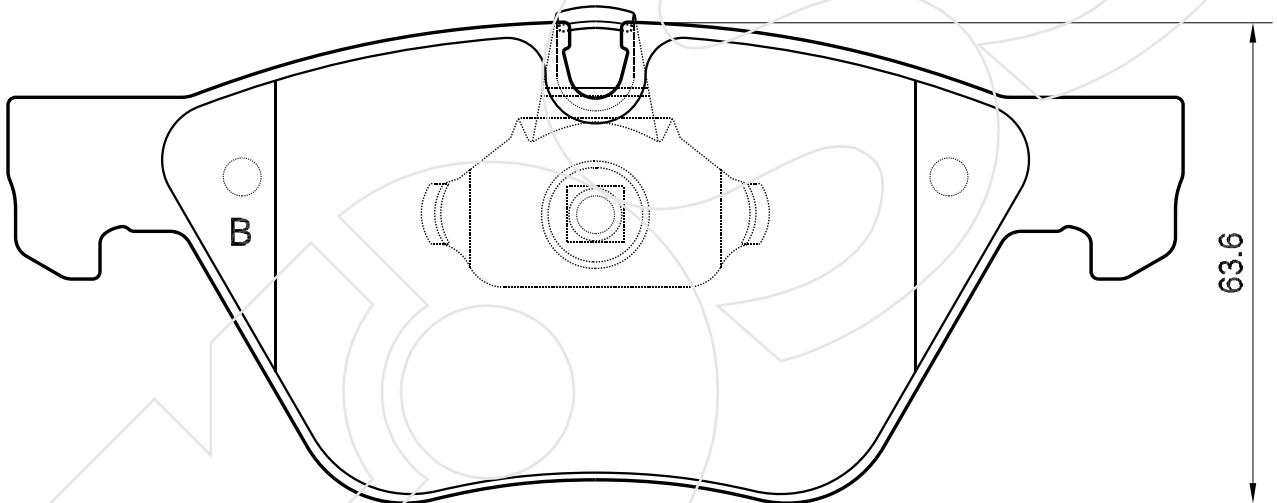
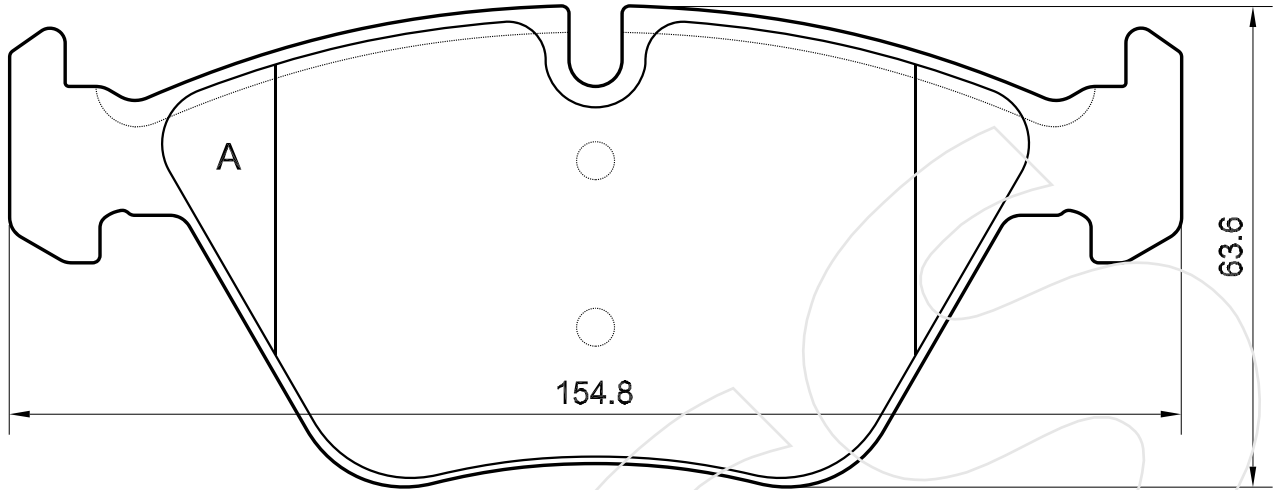
Reference in this Catalogue to other manufactures and to part numbers and other descriptions are for identification purposes only, because the above DISC BRAKE PADS are NOT ORIGINAL but with these interchangeable.

CODICE	IMPIANTO		ASSE	SCALA	APPLICAZIONI
<b>R-1107</b>	AKEBONO		POSTERIORE	1:1	TOYOTA
CODICE COMPONENTI	N°	L(mm)	SERIE		
*	*	*	2 PEZZI TIPO A		
M0164	2	*	2 PEZZI TIPO B		
*	*	*	*		
*	*	*	*		
CODICE ACCESSORI	N°	L(mm)	NOTE		
*	*	*			
*	*	*			
*	*	*			
*	*	*			



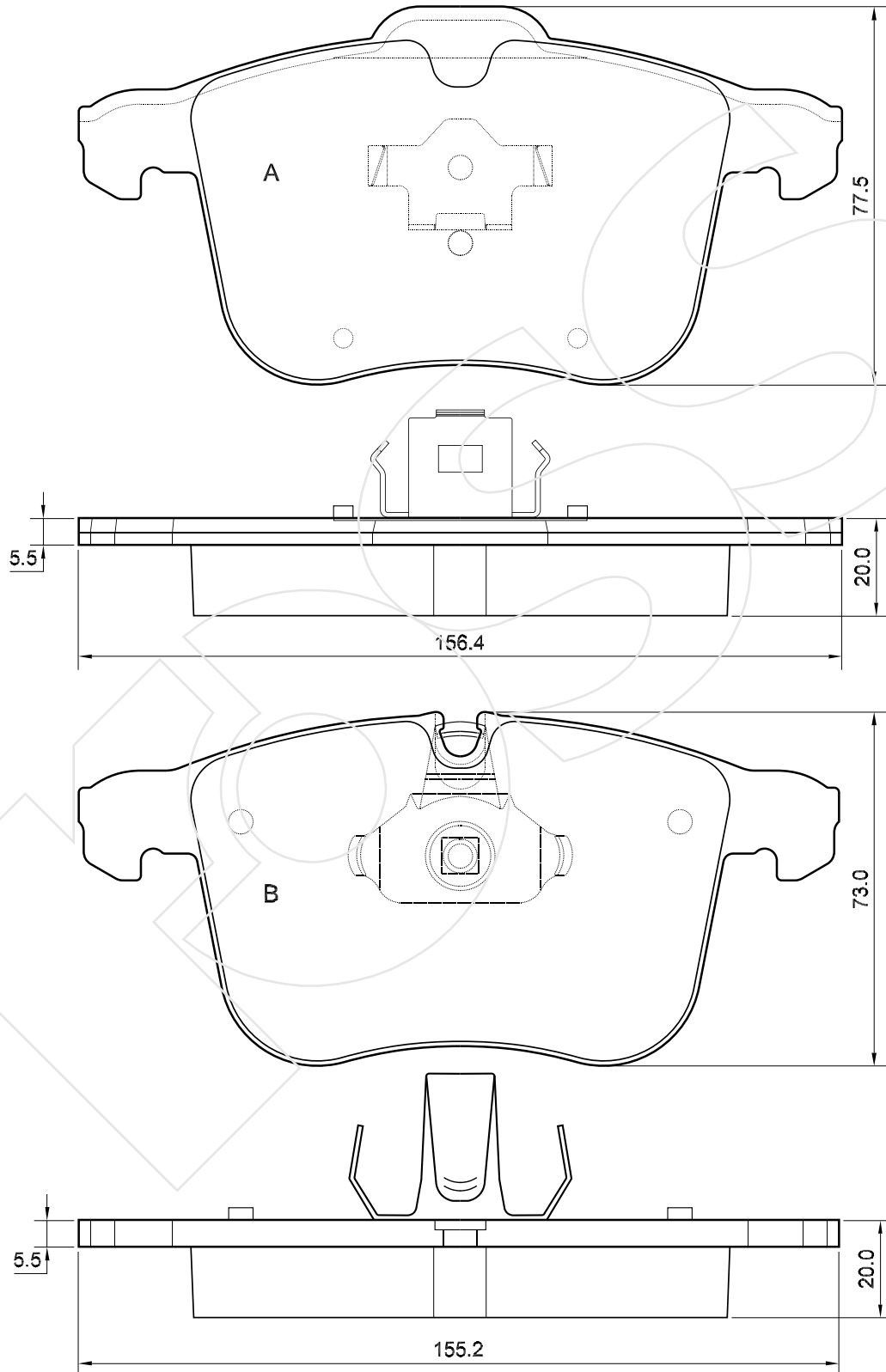
Reference in this Catalogue to other manufactures and to part numbers and other descriptions are for identification purposes only, because the above DISC BRAKE PADS are NOT ORIGINAL but with these interchangeable.

CODICE	IMPIANTO		ASSE	SCALA	APPLICAZIONI
<b>R-1108</b>	ATE		ANTERIORE	1:1	BMW
CODICE COMPONENTI	N°	L(mm)	SERIE		
*	*	*	2 PEZZI TIPO A		
M0121	2	*	2 PEZZI TIPO B		
*	*	*	*		
*	*	*	*		
CODICE ACCESSORI	N°	L(mm)	NOTE		
*	*	*			
*	*	*			
*	*	*			
*	*	*			



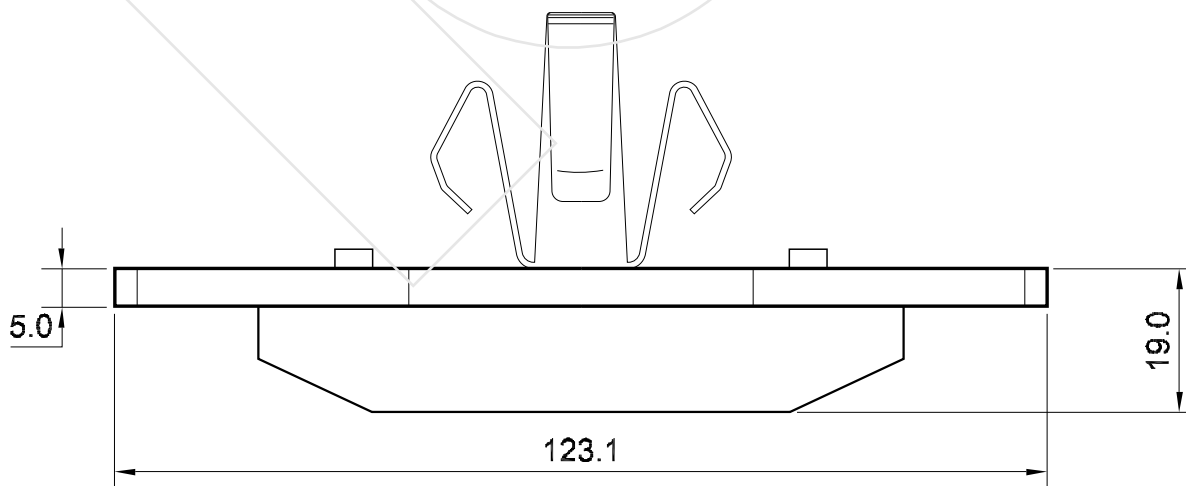
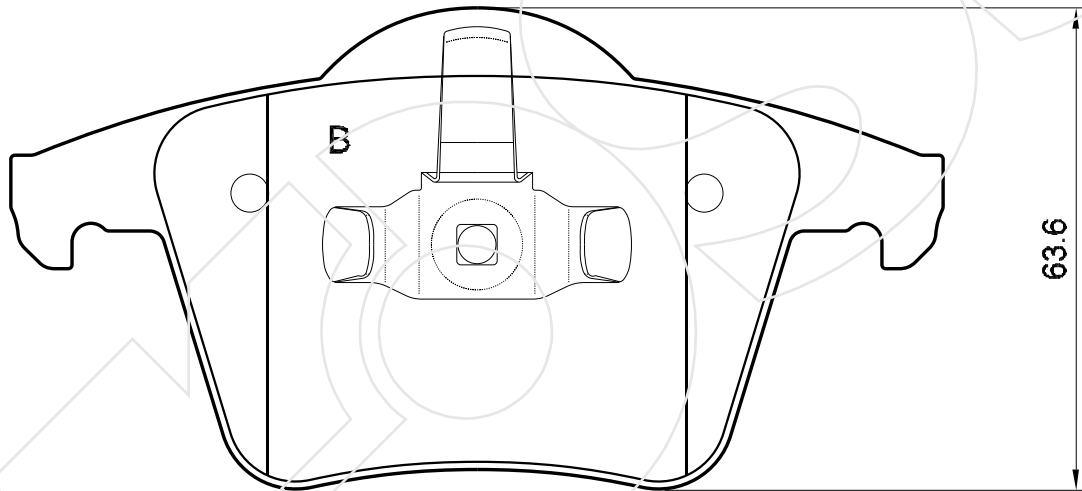
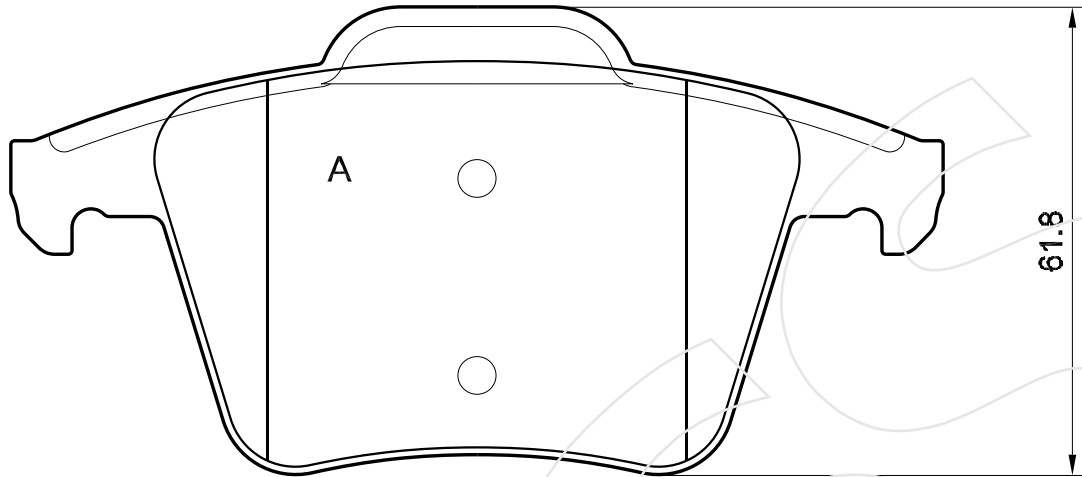
Reference in this Catalogue to other manufactures and to part numbers and other descriptions are for identification purposes only, because the above DISC BRAKE PADS are NOT ORIGINAL but with these interchangeable.

CODICE	IMPIANTO		ASSE	SCALA	APPLICAZIONI
<b>R-1109</b>	ATE		ANTERIORE	75%	OPEL SAAB
CODICE COMPONENTI	N°	L(mm)	SERIE		
M0283	2	*	2 PEZZI TIPO A		
M0144	2	*	2 PEZZI TIPO B		
*	*	*	*		
*	*	*	*		
CODICE ACCESSORI	N°	L(mm)	NOTE		
*	*	*			
*	*	*			
*	*	*			
*	*	*			



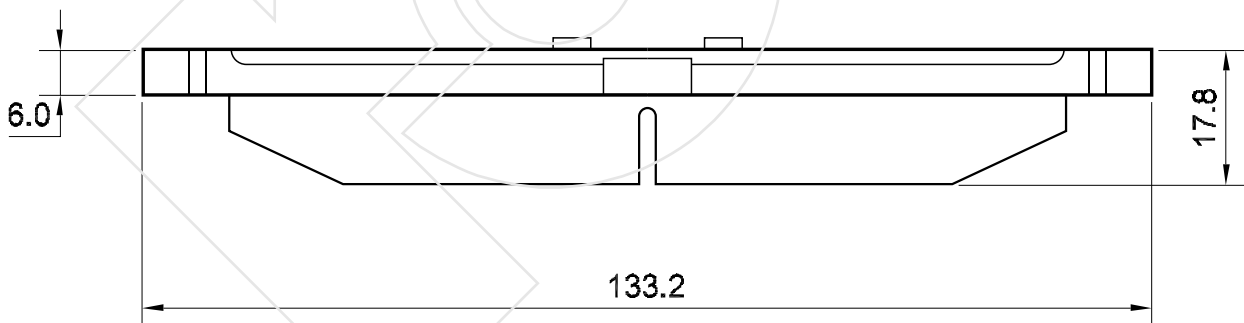
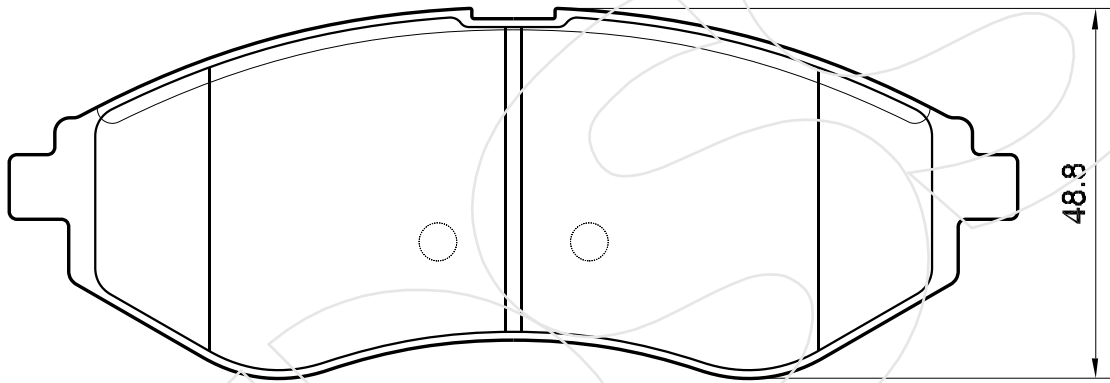
Reference in this Catalogue to other manufactures and to part numbers and other descriptions are for identification purposes only, because the above DISC BRAKE PADS are NOT ORIGINAL but with these interchangeable.

CODICE	IMPIANTO		ASSE	SCALA	APPLICAZIONI
<b>R-1110</b>	ATE		POSTERIORE	1:1	VOLVO
CODICE COMPONENTI	N°	L(mm)	SERIE		
*	*	*	2 PEZZI TIPO A		
M0293	2	*	2 PEZZI TIPO B		
*	*	*	*		
*	*	*	*		
CODICE ACCESSORI	N°	L(mm)	NOTE		
*	*	*			
*	*	*			
*	*	*			
*	*	*			



Reference in this Catalogue to other manufactures and to part numbers and other descriptions are for identification purposes only, because the above DISC BRAKE PADS are NOT ORIGINAL but with these interchangeable.

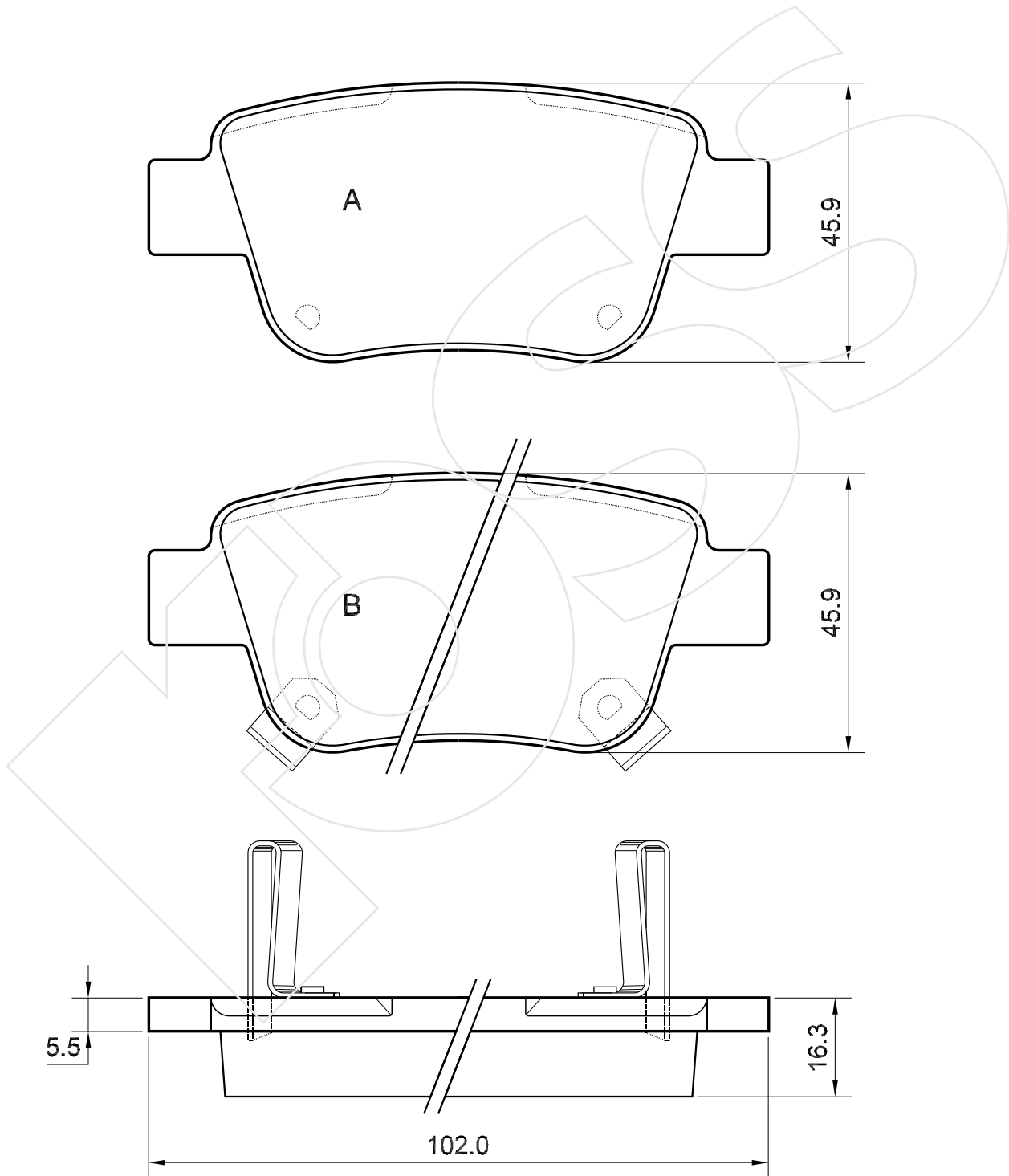
CODICE	IMPIANTO		ASSE	SCALA	APPLICAZIONI
<b>R-1111</b>	AKEBONO		ANTERIORE	1:1	DAEWOO
CODICE COMPONENTI	N°	L(mm)	SERIE		
*	*	*	4 PEZZI		
*	*	*			
*	*	*			
*	*	*			
CODICE ACCESSORI	N°	L(mm)	NOTE		
*	*	*			
*	*	*			
*	*	*			
*	*	*			



Reference in this Catalogue to other manufactures and to part numbers and other descriptions are for identification purposes only, because the above DISC BRAKE PADS are NOT ORIGINAL but with these interchangeable.

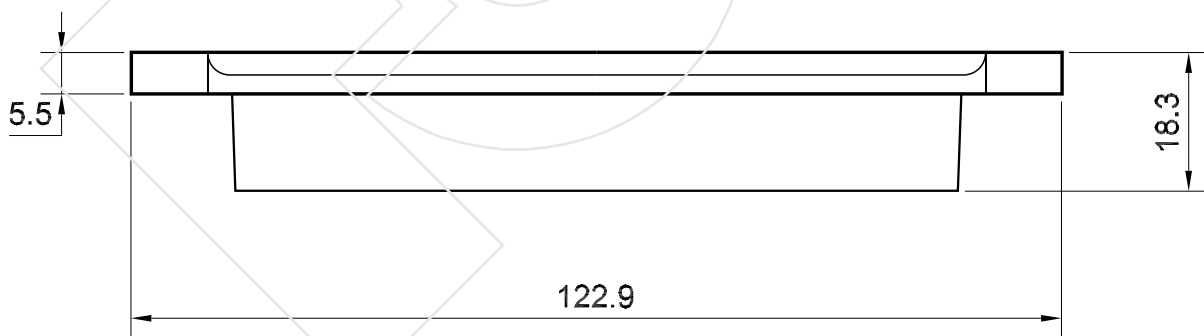
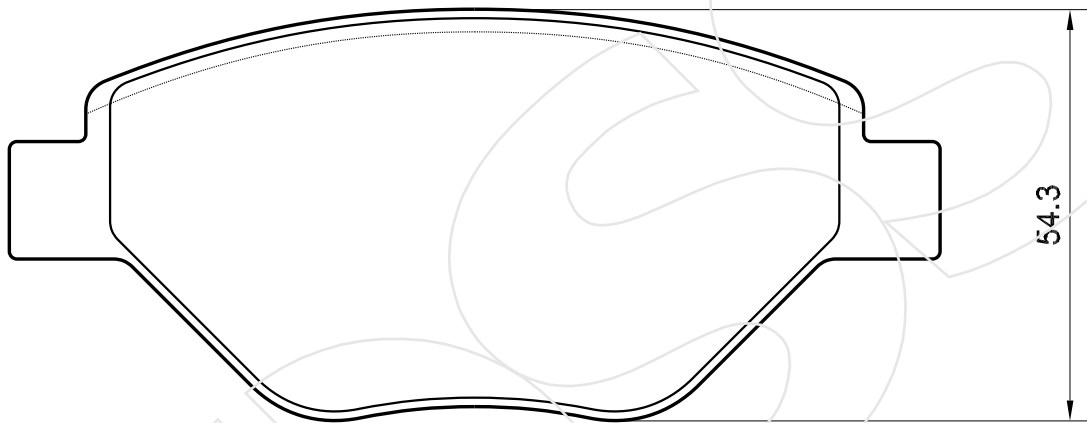


CODICE	IMPIANTO		ASSE	SCALA	APPLICAZIONI
<b>R-1112</b>	BOSCH		POSTERIORE	1:1	TOYOTA
CODICE COMPONENTI	N°	L(mm)	SERIE		
*	*	*	2 PEZZI TIPO A		
M0289	2	*	2 PEZZI TIPO B		
*	*	*	*		
*	*	*	*		
CODICE ACCESSORI	N°	L(mm)	NOTE		
*	*	*			
*	*	*			
*	*	*			
*	*	*			



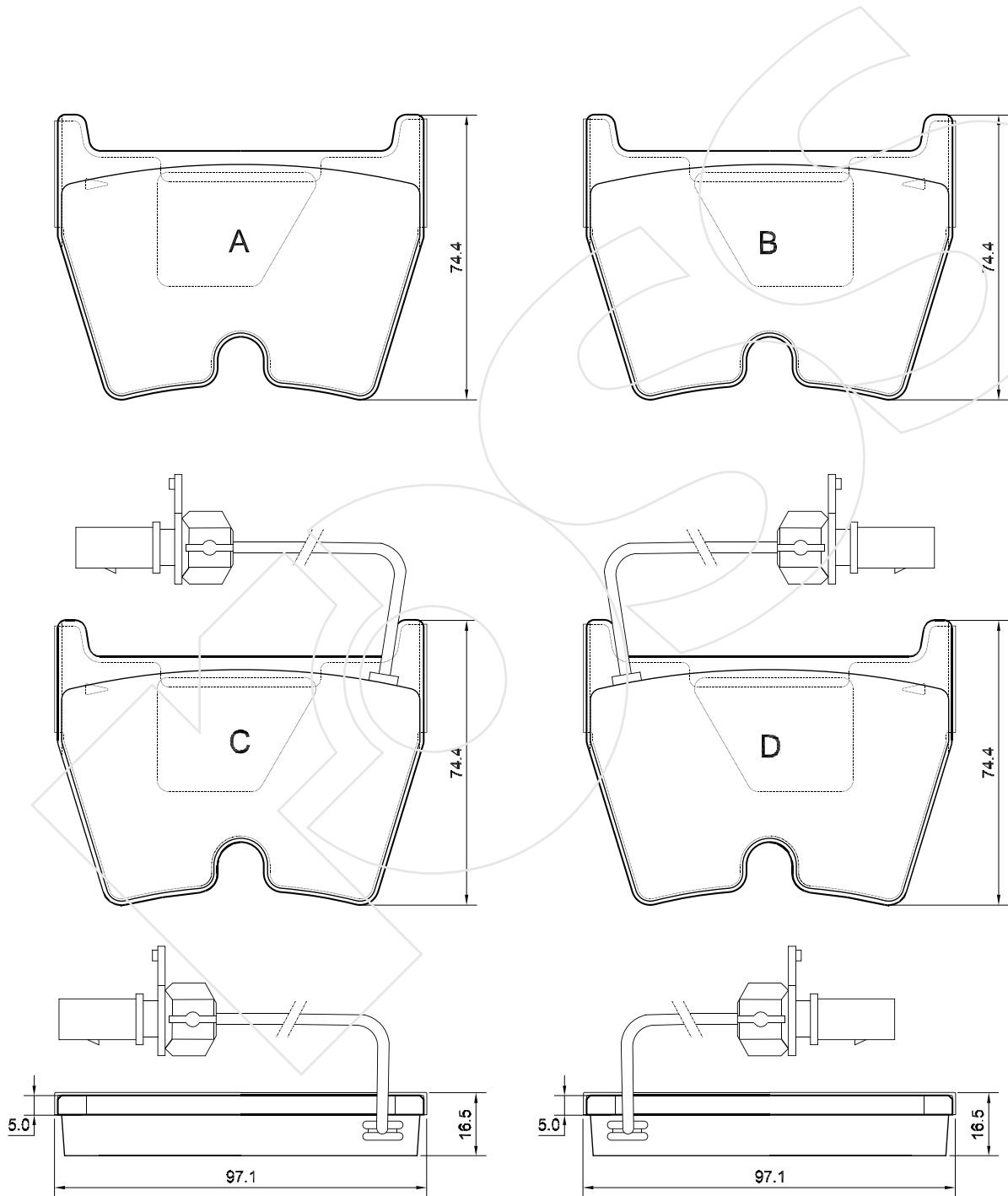
Reference in this Catalogue to other manufactures and to part numbers and other descriptions are for identification purposes only, because the above DISC BRAKE PADS are NOT ORIGINAL but with these interchangeable.

CODICE	IMPIANTO		ASSE	SCALA	APPLICAZIONI
<b>R-1113</b>	LUCAS		ANTERIORE	1:1	RENAULT
CODICE COMPONENTI	N°	L(mm)	SERIE		
*	*	*	4 PEZZI		
*	*	*			
*	*	*			
*	*	*			
CODICE ACCESSORI	N°	L(mm)	NOTE		
*	*	*			
*	*	*			
*	*	*			
*	*	*			



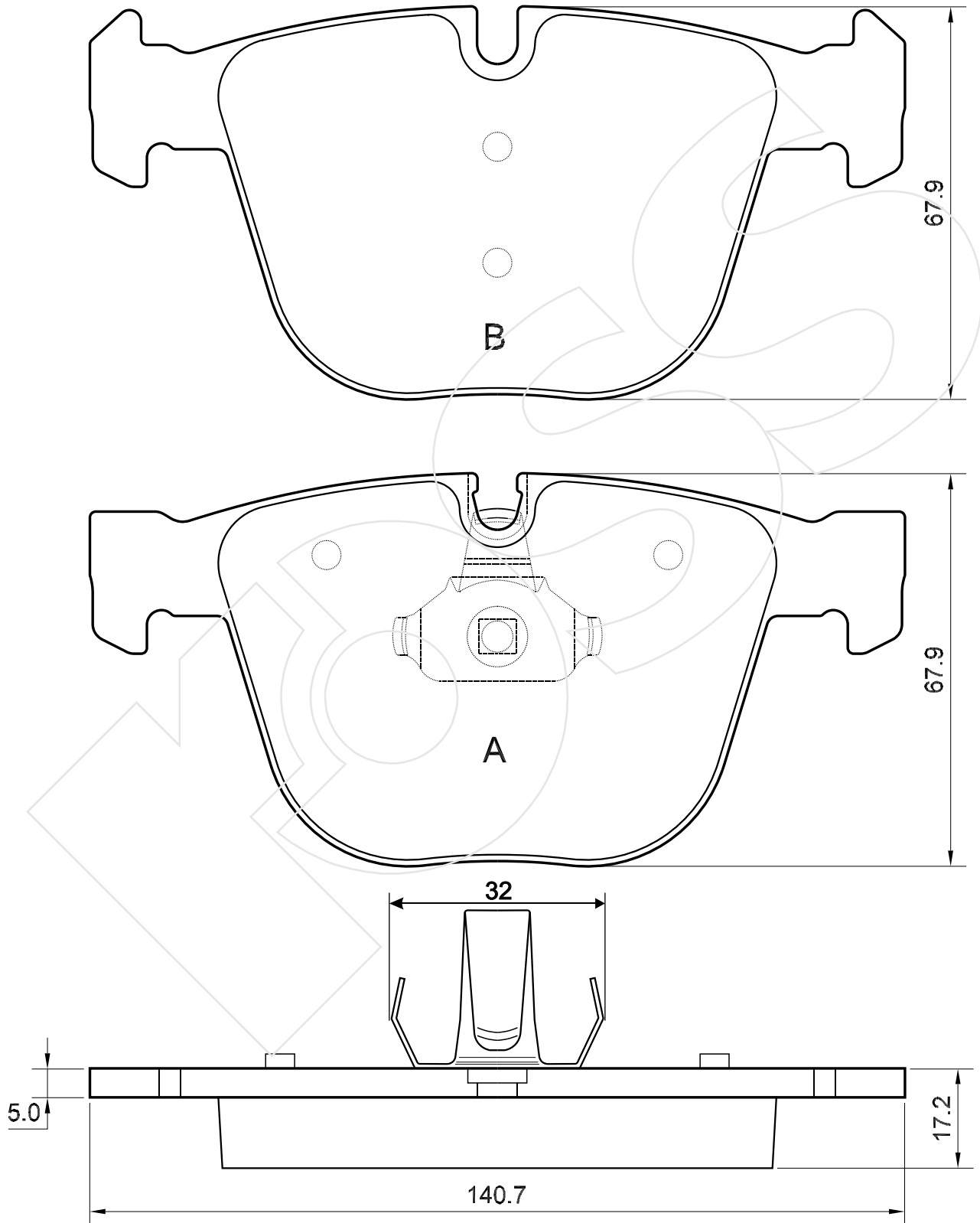
Reference in this Catalogue to other manufactures and to part numbers and other descriptions are for identification purposes only, because the above DISC BRAKE PADS are NOT ORIGINAL but with these interchangeable.

CODICE	IMPIANTO		ASSE	SCALA	APPLICAZIONI
<b>R-1114</b>	BREMBO		ANTERIORE	60%	AUDI VOLKSWAGEN
CODICE COMPONENTI	N°	L(mm)	SERIE		
A020	3	*	3 PEZZI TIPO A		
A021	3	*	3 PEZZI TIPO B		
F3133+A020	1+1	280	1 PEZZI TIPO C		
F3133+A021	1+1	280	1 PEZZI TIPO D		
CODICE ACCESSORI	N°	L(mm)	NOTE		
*	*	*			
*	*	*			
*	*	*			
*	*	*			



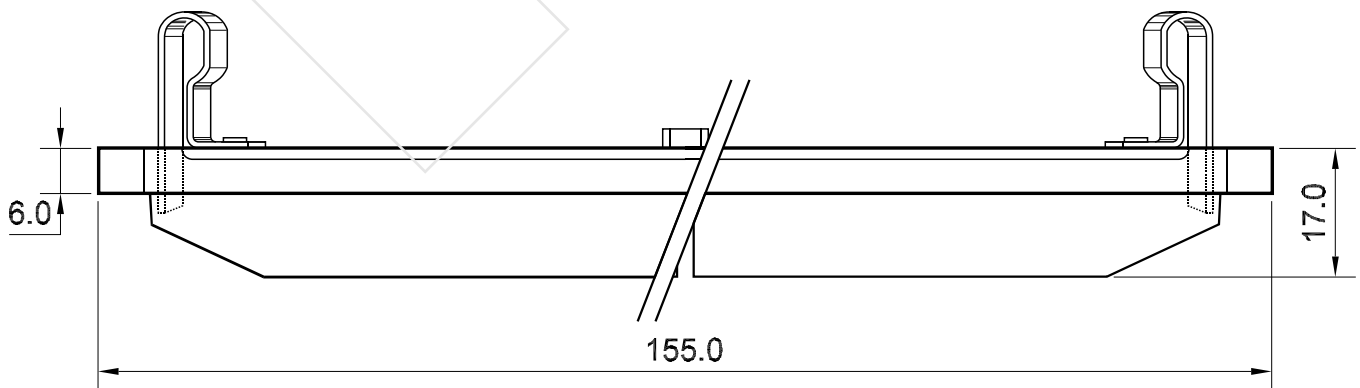
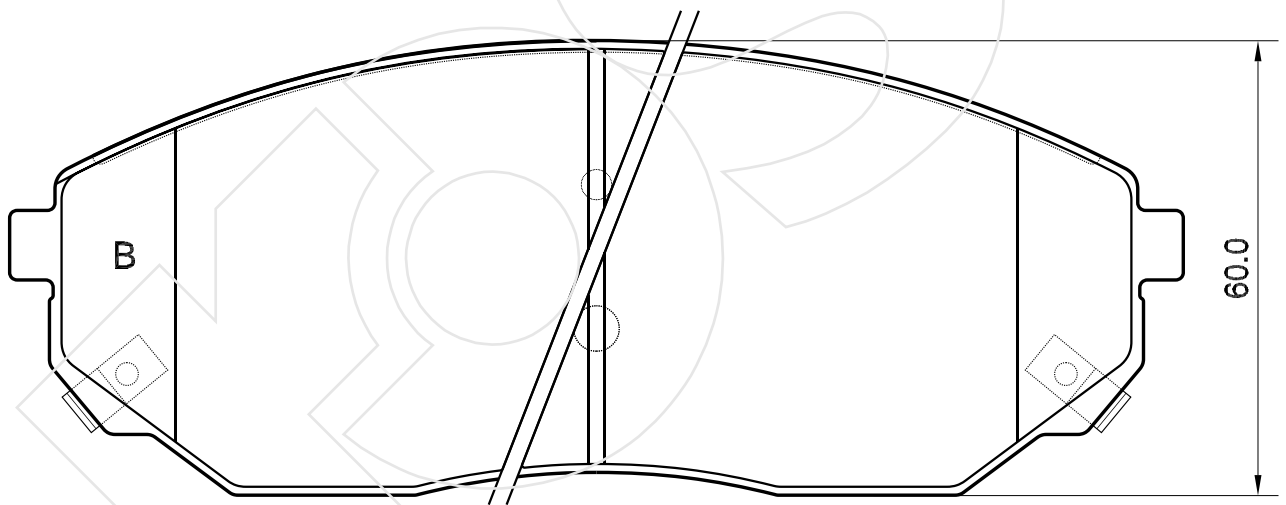
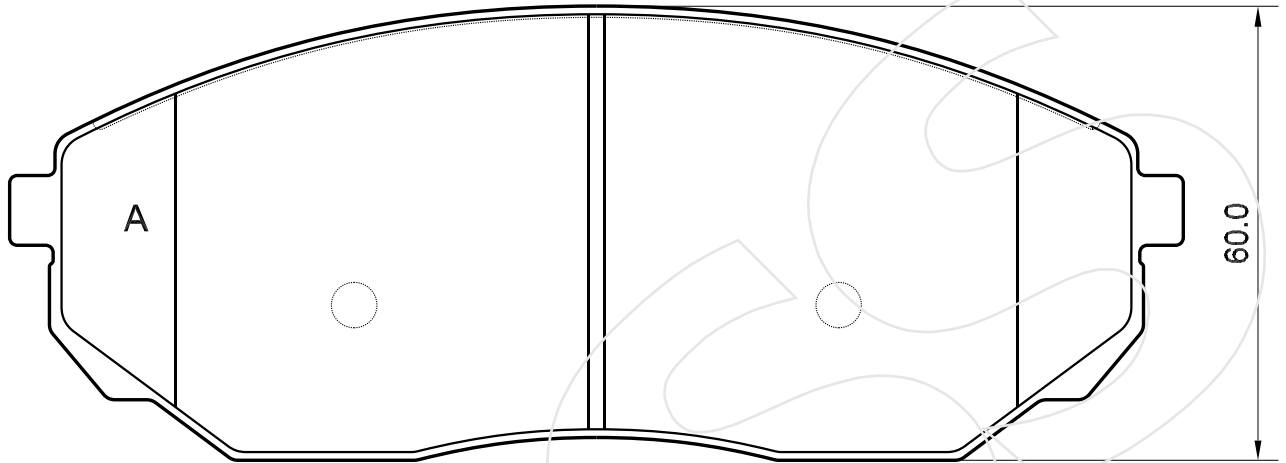
Reference in this Catalogue to other manufactures and to part numbers and other descriptions are for identification purposes only, because the above DISC BRAKE PADS are NOT ORIGINAL but with these interchangeable.

CODICE	IMPIANTO		ASSE	SCALA	APPLICAZIONI
<b>R-1115</b>	ATE		POSTERIORE	1:1	BENTLEY
CODICE COMPONENTI	N°	L(mm)	SERIE		BMW
*	*	*	2 PEZZI TIPO A		
M0352	2	*	2 PEZZI TIPO B		
*	*	*	*		
*	*	*	*		
CODICE ACCESSORI	N°	L(mm)	NOTE		
*	*	*			
*	*	*			
*	*	*			
*	*	*			



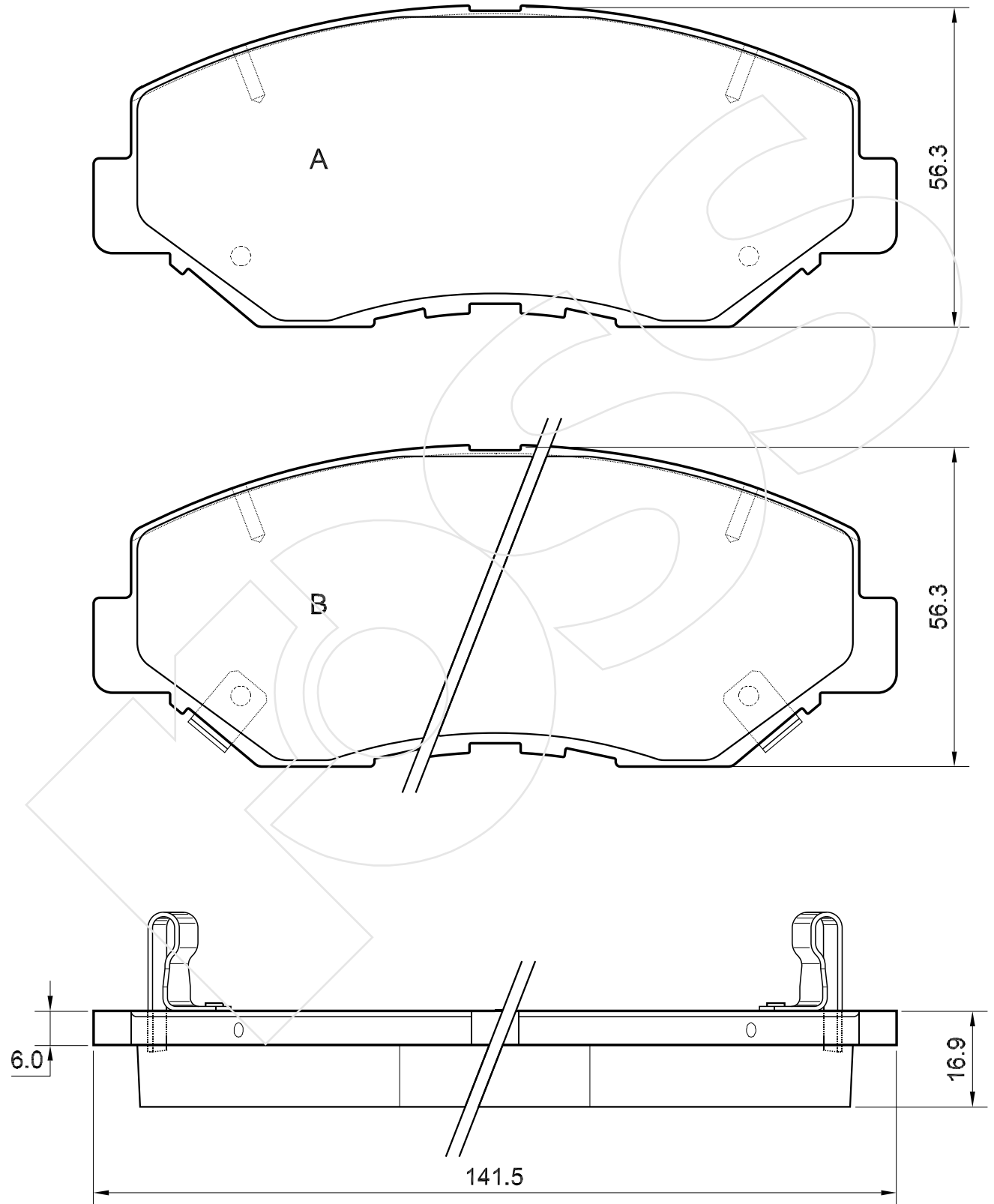
Reference in this Catalogue to other manufactures and to part numbers and other descriptions are for identification purposes only, because the above DISC BRAKE PADS are NOT ORIGINAL but with these interchangeable.

CODICE	IMPIANTO		ASSE	SCALA	APPLICAZIONI
<b>R-1116</b>	SUMITOMO		ANTERIORE	1:1	KIA
CODICE COMPONENTI	N°	L(mm)	SERIE		
*	*	*	2 PEZZI TIPO A		
M0069	2	*	2 PEZZI TIPO B		
*	*	*	*		
*	*	*	*		
CODICE ACCESSORI	N°	L(mm)	NOTE		
*	*	*			
*	*	*			
*	*	*			
*	*	*			



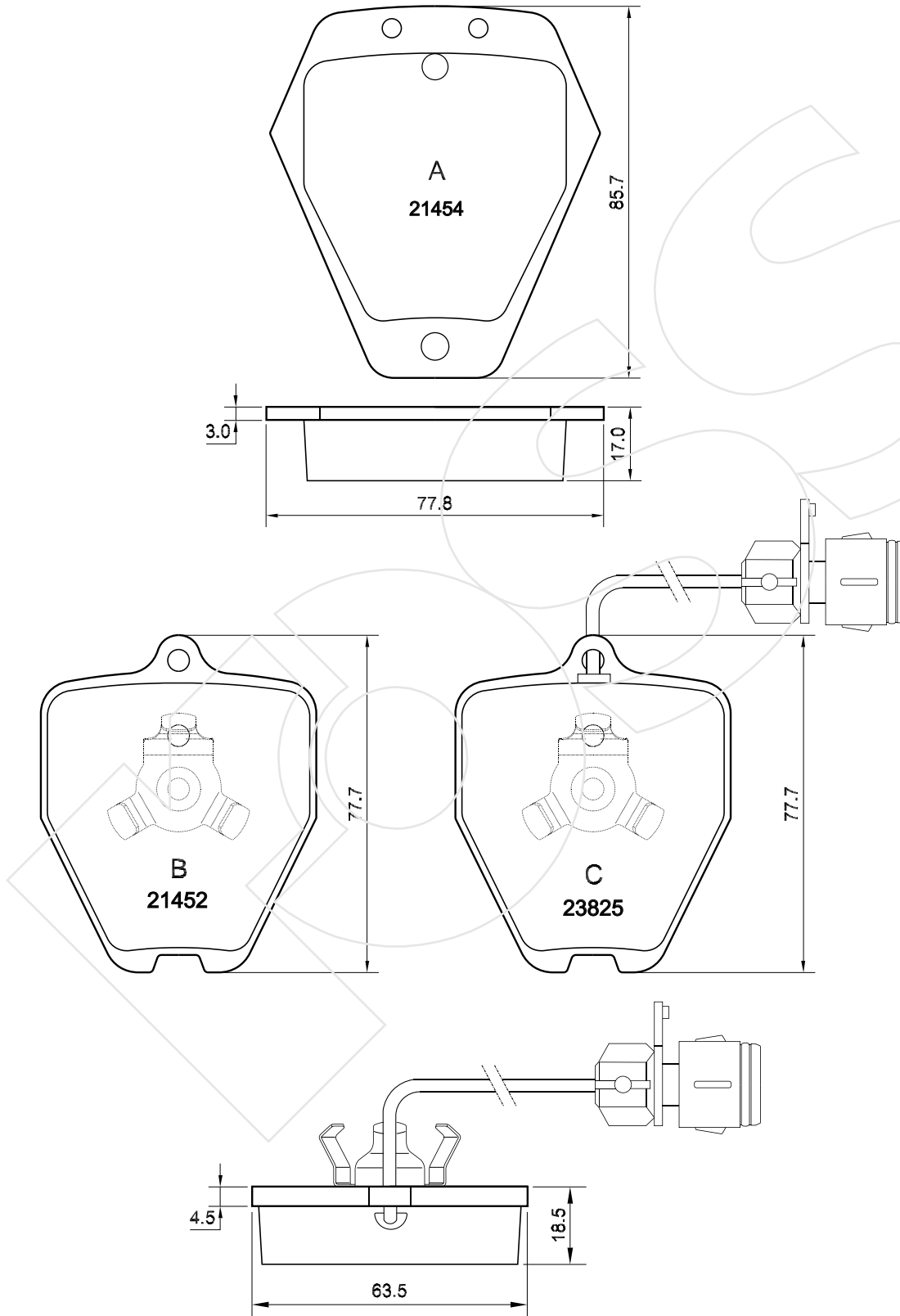
Reference in this Catalogue to other manufactures and to part numbers and other descriptions are for identification purposes only, because the above DISC BRAKE PADS are NOT ORIGINAL but with these interchangeable.

CODICE	IMPIANTO		ASSE	SCALA	APPLICAZIONI
<b>R-1117</b>	AKEBONO		ANTERIORE	1:1	HONDA
CODICE COMPONENTI	N°	L(mm)	SERIE		
*	*	*	2 PEZZI TIPO A		
M0301	2	*	2 PEZZI TIPO B		
*	*	*	*		
*	*	*	*		
CODICE ACCESSORI	N°	L(mm)	NOTE		
*	*	*			
*	*	*			
*	*	*			
*	*	*			



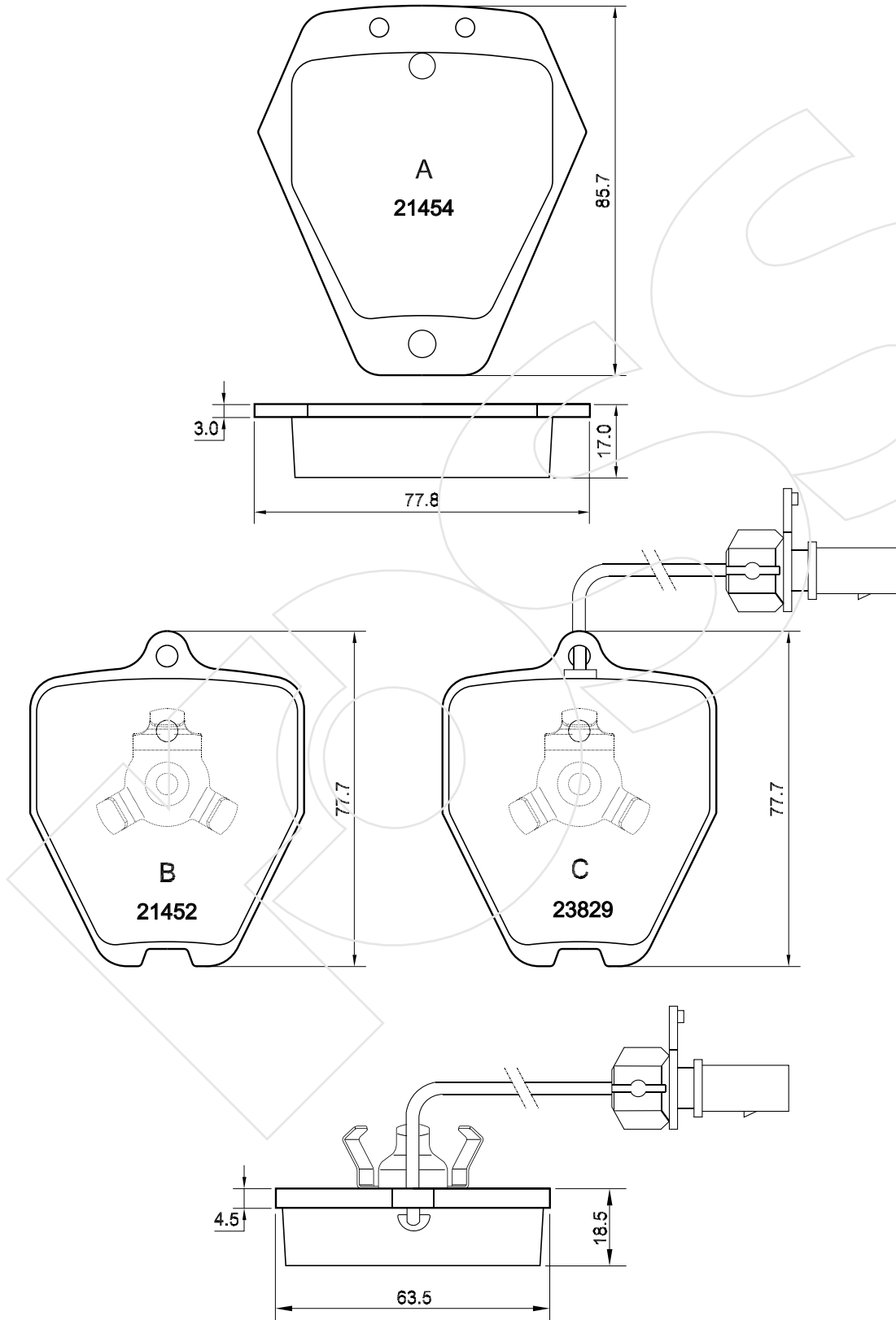
Reference in this Catalogue to other manufactures and to part numbers and other descriptions are for identification purposes only, because the above DISC BRAKE PADS are NOT ORIGINAL but with these interchangeable.

CODICE	IMPIANTO		ASSE	SCALA	APPLICAZIONI
<b>R-1118</b>	GIRLING		ANTERIORE	70%	AUDI
CODICE COMPONENTI	N°	L(mm)	SERIE		
*	*	*	4 PEZZI TIPO A		
M0294	2	*	2 PEZZI TIPO B		
M0294+F3147	2+2	280	2 PEZZI TIPO C		
*	*	*	*		
CODICE ACCESSORI	N°	L(mm)	NOTE		
*	*	*			
*	*	*			
*	*	*			
*	*	*			



Reference in this Catalogue to other manufactures and to part numbers and other descriptions are for identification purposes only, because the above DISC BRAKE PADS are NOT ORIGINAL but with these interchangeable.

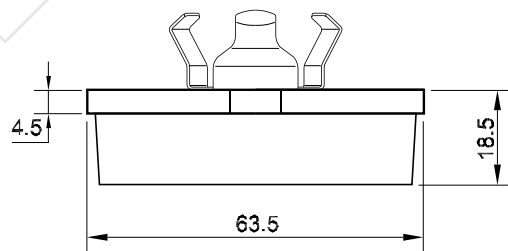
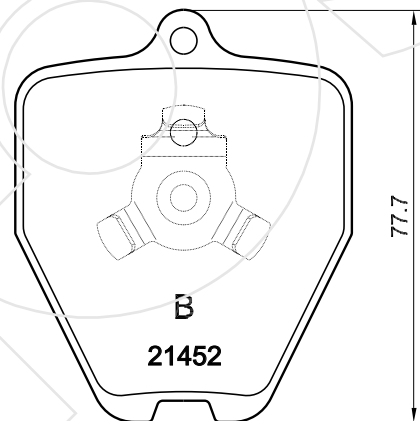
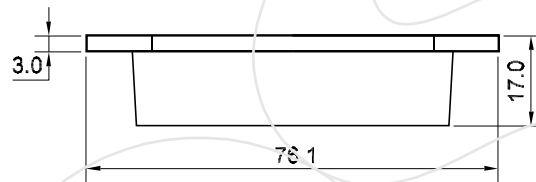
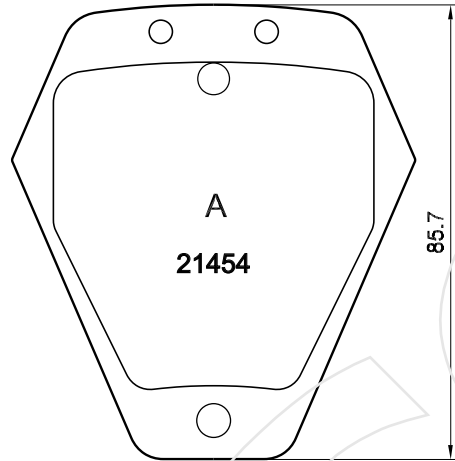
CODICE	IMPIANTO		ASSE	SCALA	APPLICAZIONI
<b>R-1119</b>	GIRLING		ANTERIORE	70%	AUDI
CODICE COMPONENTI	N°	L(mm)	SERIE		
*	*	*	4 PEZZI TIPO A		
M0294	2	*	2 PEZZI TIPO B		
M0294+F3133	2+2	285	2 PEZZI TIPO C		
*	*	*	*		
CODICE ACCESSORI	N°	L(mm)	NOTE		
*	*	*			
*	*	*			
*	*	*			
*	*	*			



Reference in this Catalogue to other manufactures and to part numbers and other descriptions are for identification purposes only, because the above DISC BRAKE PADS are NOT ORIGINAL but with these interchangeable.

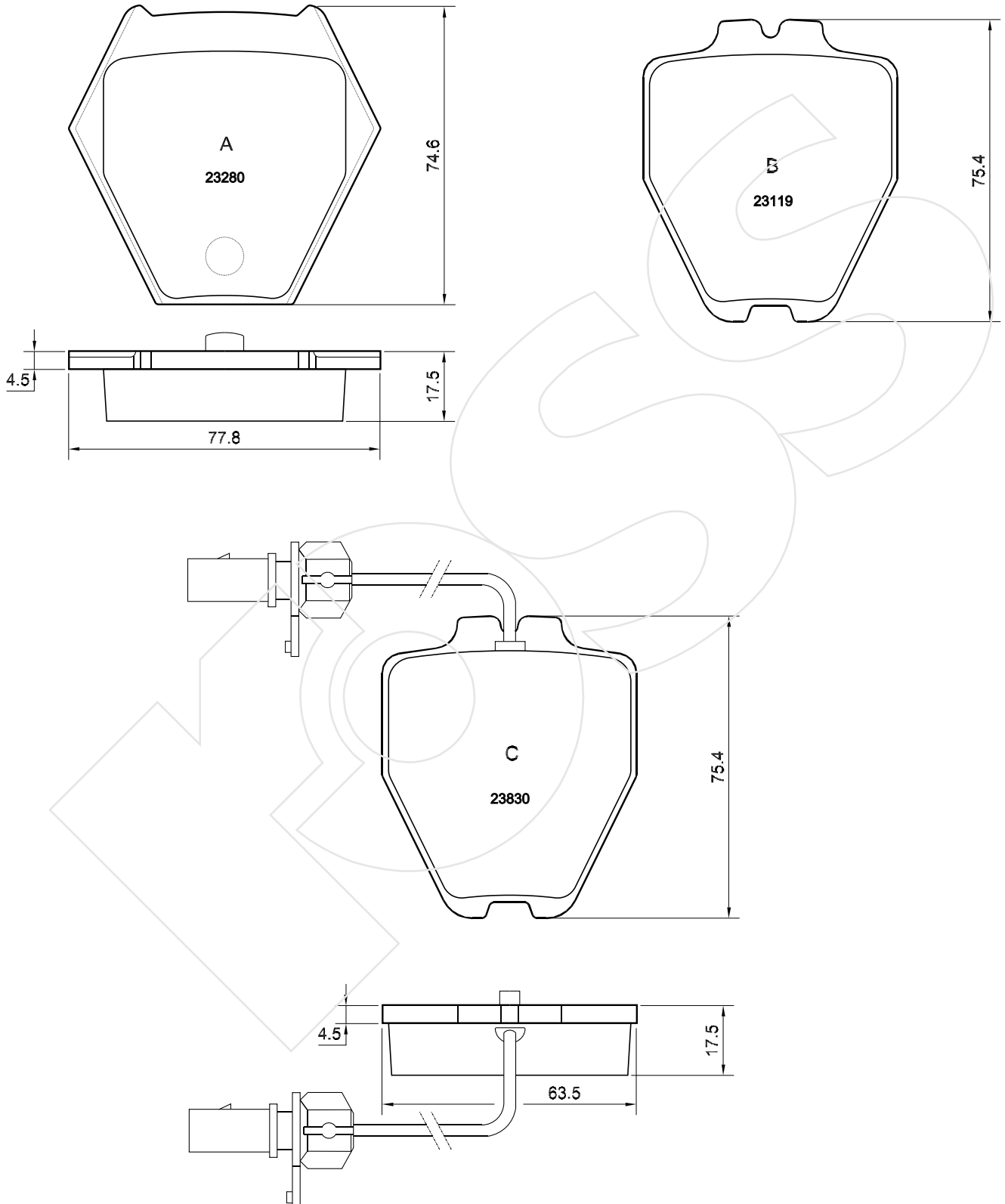


CODICE	IMPIANTO		ASSE	SCALA	APPLICAZIONI
<b>R-1120</b>	GIRLING		ANTERIORE	70%	AUDI
CODICE COMPONENTI	N°	L(mm)	SERIE		
*	*	*	4 PEZZI TIPO A		
M0294	4	*	4 PEZZI TIPO B		
*	*	*			
*	*	*			
*	*	*			
CODICE ACCESSORI	N°	L(mm)	NOTE		
*	*	*			
*	*	*			
*	*	*			
*	*	*			



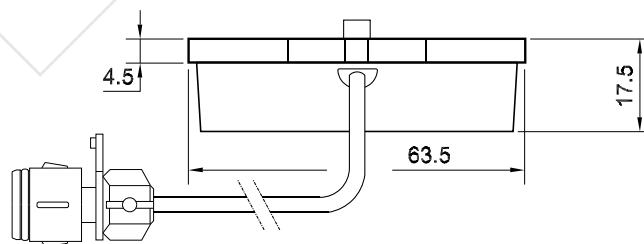
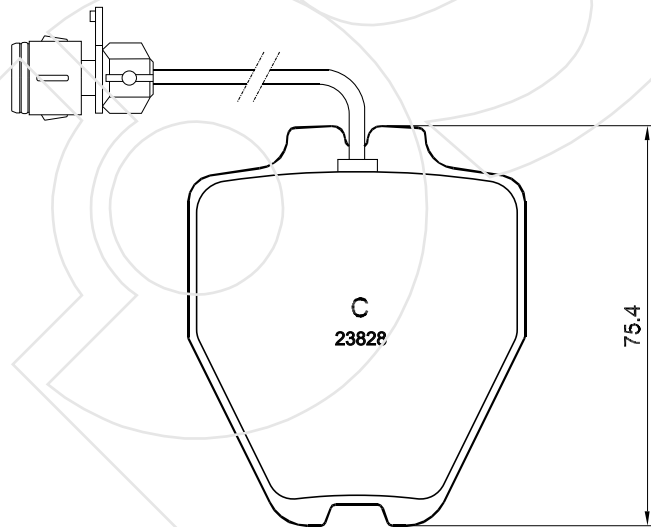
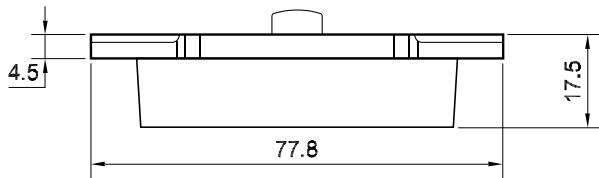
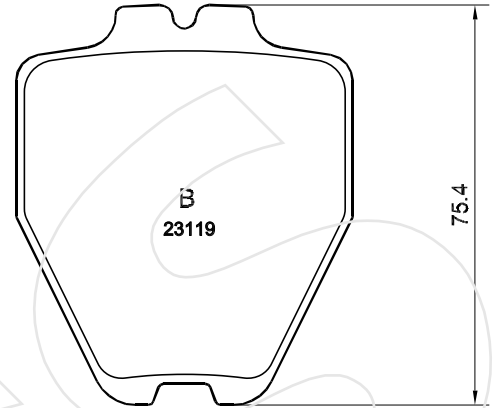
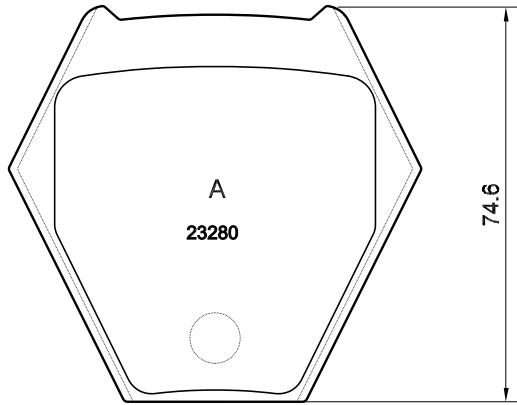
Reference in this Catalogue to other manufactures and to part numbers and other descriptions are for identification purposes only, because the above DISC BRAKE PADS are NOT ORIGINAL but with these interchangeable.

CODICE	IMPIANTO		ASSE	SCALA	APPLICAZIONI
<b>R-1121</b>	GIRLING		ANTERIORE	70%	AUDI
CODICE COMPONENTI	N°	L(mm)	SERIE		
*	*	*	4 PEZZI TIPO A		
*	*	*	2 PEZZI TIPO B		
F3133	2	285	2 PEZZI TIPO C		
*	*	*	*		
CODICE ACCESSORI	N°	L(mm)	NOTE		
*	*	*			
*	*	*			
*	*	*			
*	*	*			



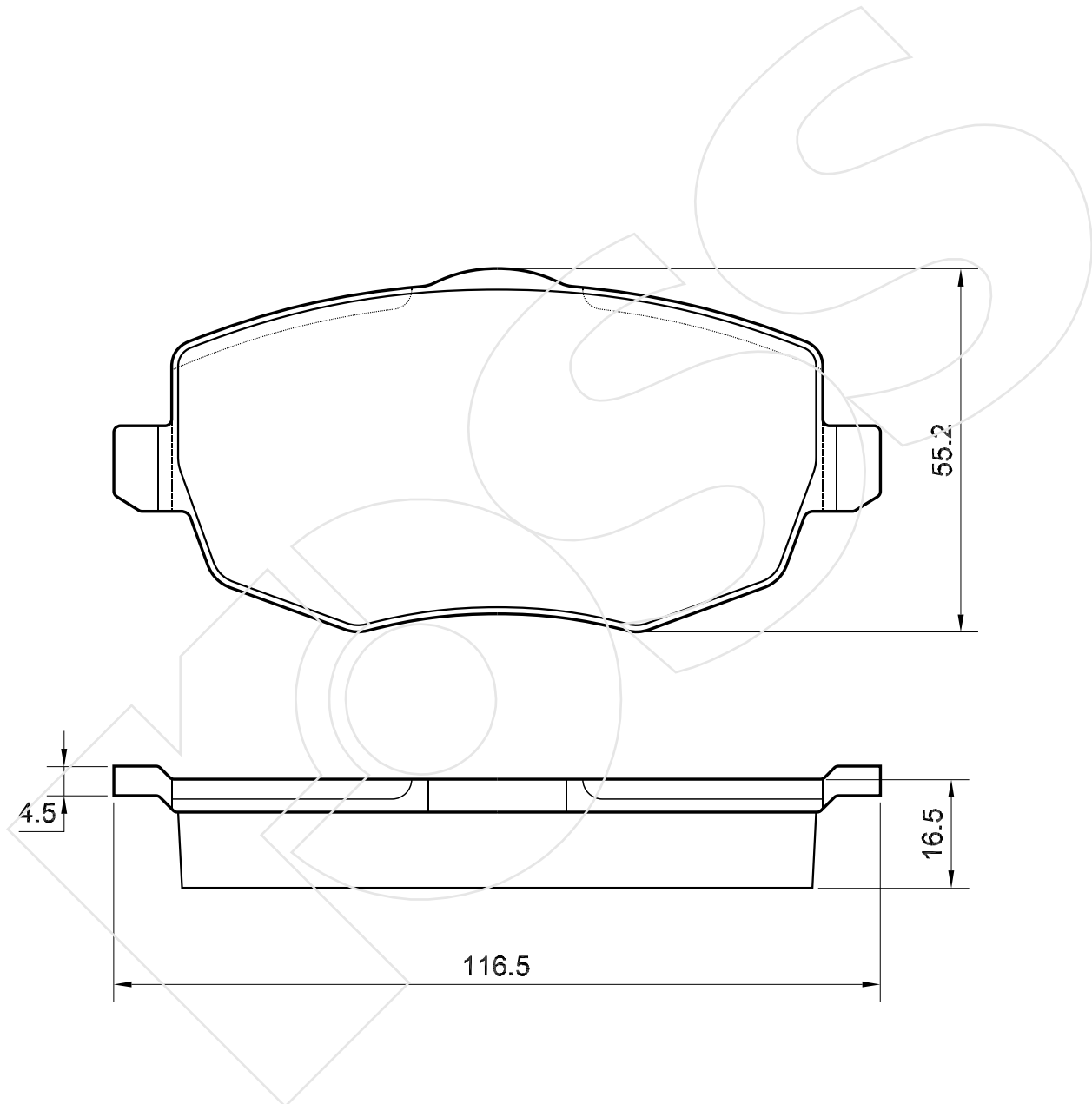
Reference in this Catalogue to other manufactures and to part numbers and other descriptions are for identification purposes only, because the above DISC BRAKE PADS are NOT ORIGINAL but with these interchangeable.

CODICE	IMPIANTO		ASSE	SCALA	APPLICAZIONI
<b>R-1122</b>	GIRLING		ANTERIORE	70%	AUDI
CODICE COMPONENTI	N°	L(mm)	SERIE		
*	*	*	4 PEZZI TIPO A		
*	*	*	2 PEZZI TIPO B		
F3147	2	280	2 PEZZI TIPO C		
*	*	*	*		
CODICE ACCESSORI	N°	L(mm)	NOTE		
*	*	*			
*	*	*			
*	*	*			
*	*	*			



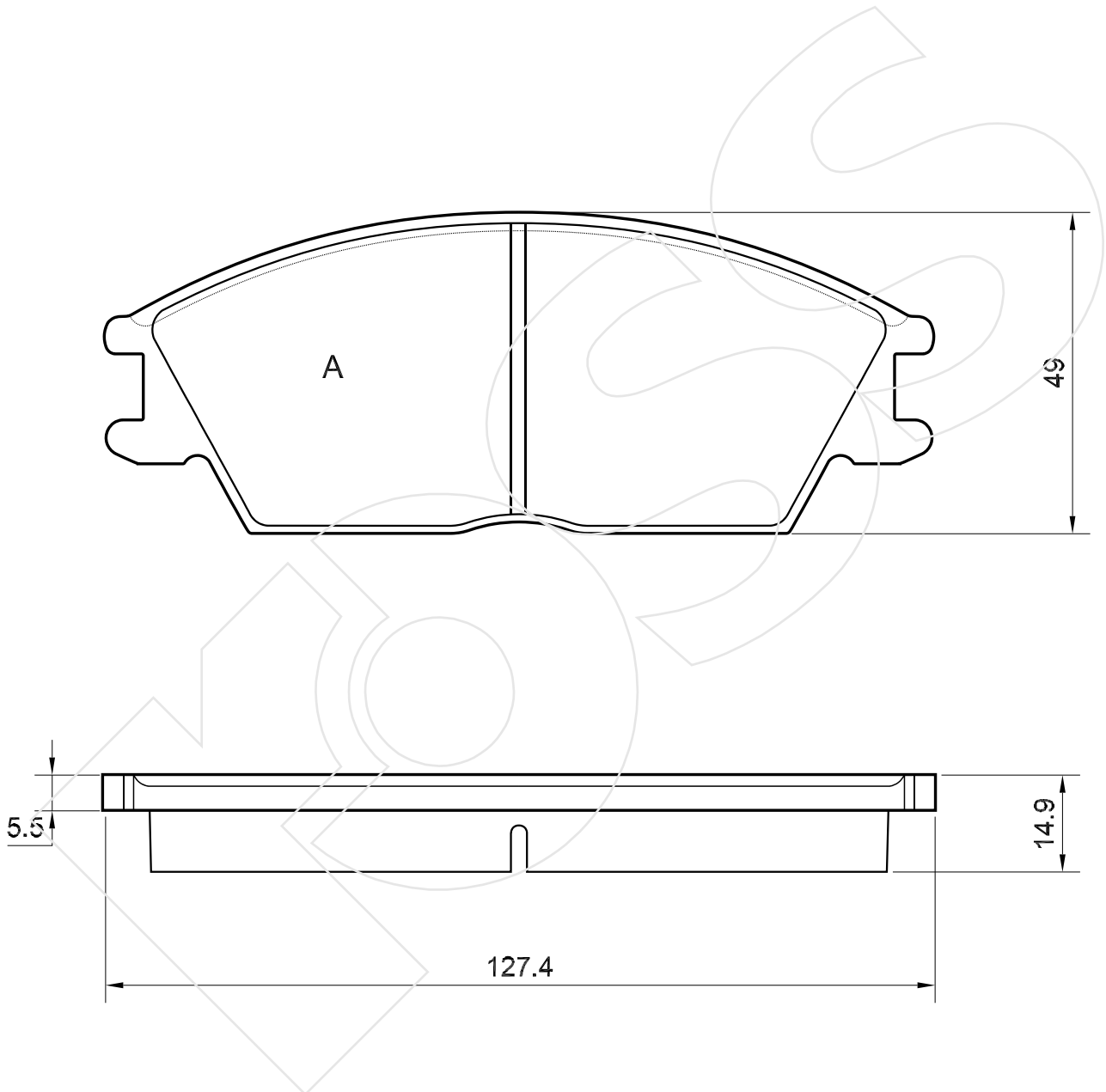
Reference in this Catalogue to other manufactures and to part numbers and other descriptions are for identification purposes only, because the above DISC BRAKE PADS are NOT ORIGINAL but with these interchangeable.

CODICE	IMPIANTO		ASSE	SCALA	APPLICAZIONI
<b>R-1123</b>	LUCAS		ANTERIORE	1:1	LANCIA
CODICE COMPONENTI	N°	L(mm)	SERIE		
*	*	*	4 PEZZI		
*	*	*			
*	*	*			
*	*	*			
CODICE ACCESSORI	N°	L(mm)	NOTE		
*	*	*			
*	*	*			
*	*	*			
*	*	*			



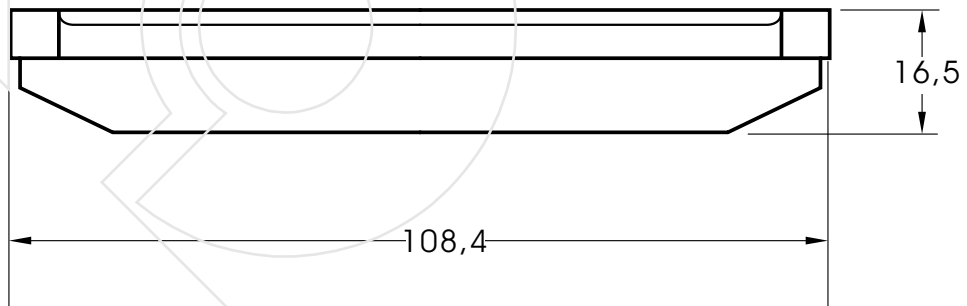
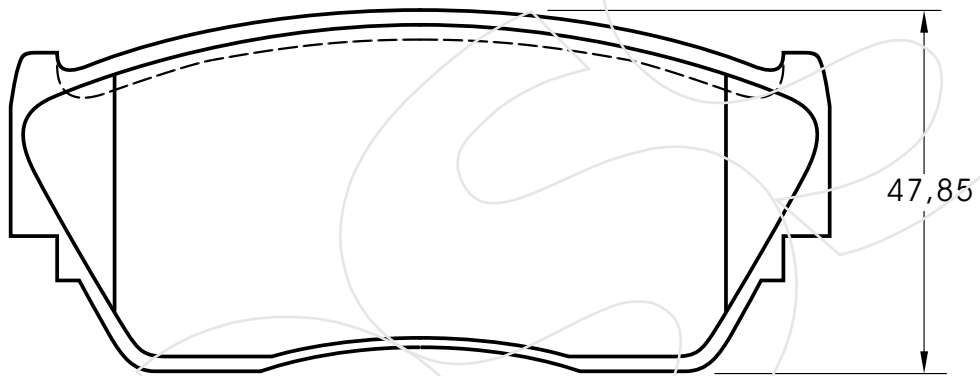
Reference in this Catalogue to other manufactures and to part numbers and other descriptions are for identification purposes only, because the above DISC BRAKE PADS are NOT ORIGINAL but with these interchangeable.

CODICE	IMPIANTO		ASSE	SCALA	APPLICAZIONI
<b>R-1124</b>	AKEBONO		ANTERIORE	1:1	HONDA HYUNDAI
CODICE COMPONENTI	N°	L(mm)	SERIE		
*	*	*	4 PEZZI		
*	*	*	*		
*	*	*	*		
*	*	*	*		
CODICE ACCESSORI	N°	L(mm)	NOTE		
*	*	*			
*	*	*			
*	*	*			



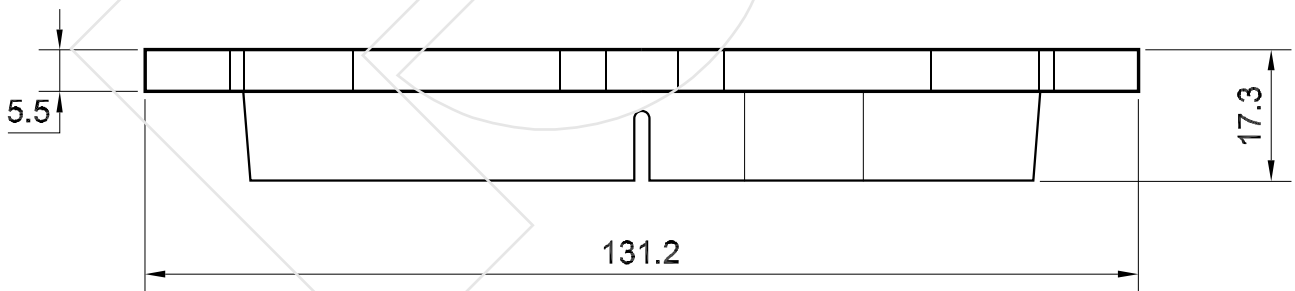
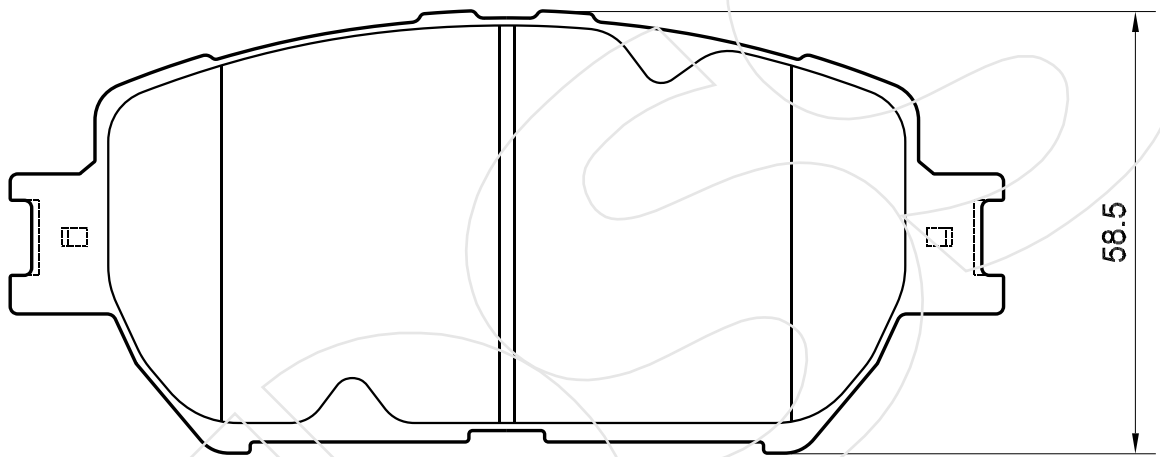
Reference in this Catalogue to other manufactures and to part numbers and other descriptions are for identification purposes only, because the above DISC BRAKE PADS are NOT ORIGINAL but with these interchangeable.

CODICE	IMPIANTO		ASSE	SCALA	APPLICAZIONI
<b>R-1125</b>	AKEBONO		ANTERIORE	1:1	NISSAN
CODICE COMPONENTI	N°	L(mm)	SERIE		
*	*	*	4 PEZZI		
*	*	*			
*	*	*			
*	*	*			
CODICE ACCESSORI	N°	L(mm)	NOTE		
*	*	*			
*	*	*			
*	*	*			
*	*	*			



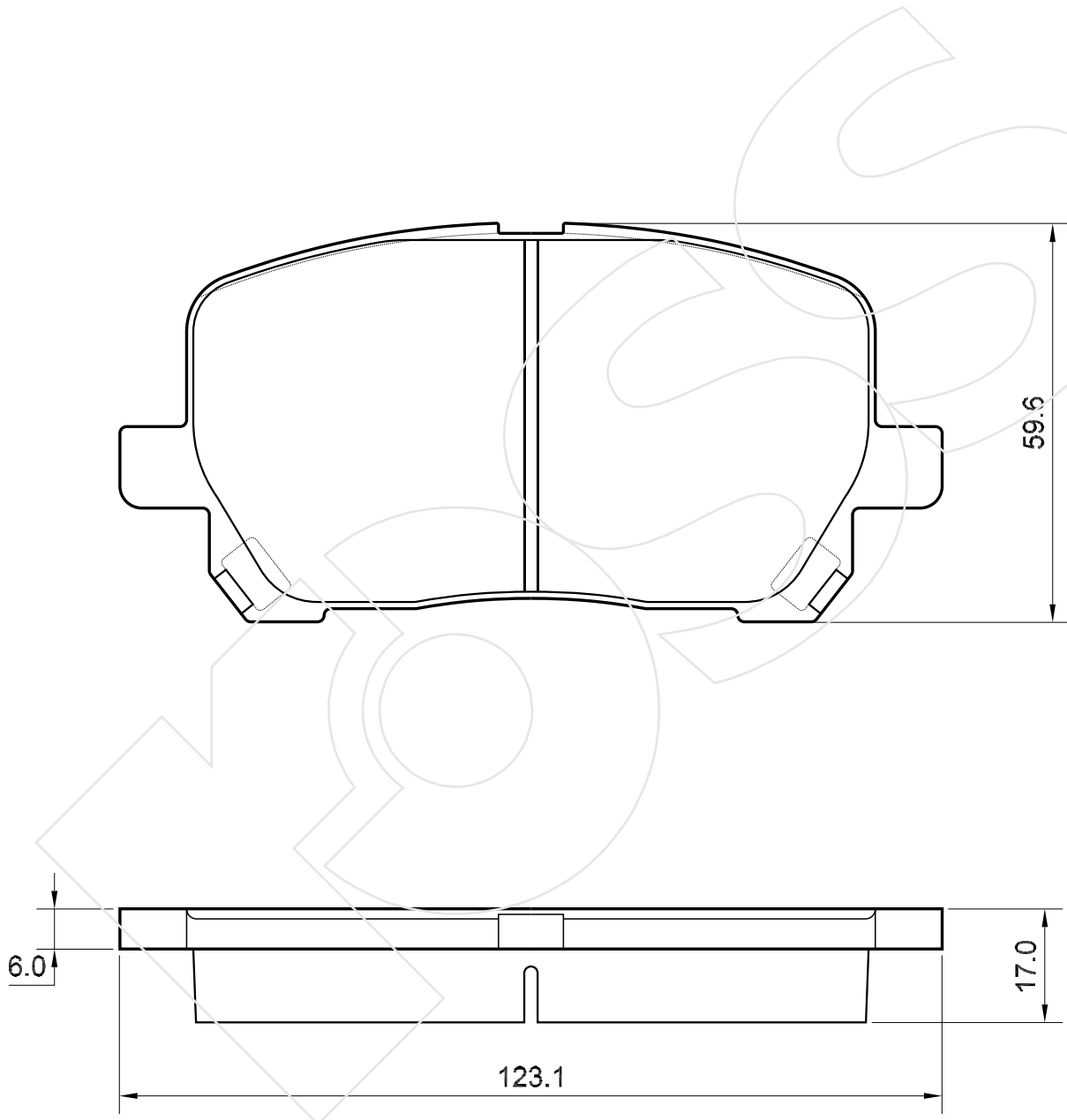
Reference in this Catalogue to other manufactures and to part numbers and other descriptions are for identification purposes only, because the above DISC BRAKE PADS are NOT ORIGINAL but with these interchangeable.

CODICE	IMPIANTO		ASSE	SCALA	APPLICAZIONI
<b>R-1126</b>	AKEBONO		ANTERIORE	1:1	TOYOTA
CODICE COMPONENTI	N°	L(mm)	SERIE		
*	*	*	4 PEZZI		
*	*	*			
*	*	*			
*	*	*			
CODICE ACCESSORI	N°	L(mm)	NOTE		
*	*	*			
*	*	*			
*	*	*			
*	*	*			



Reference in this Catalogue to other manufactures and to part numbers and other descriptions are for identification purposes only, because the above DISC BRAKE PADS are NOT ORIGINAL but with these interchangeable.

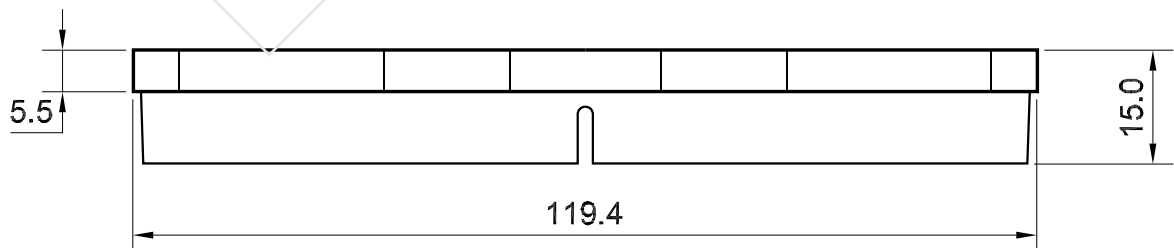
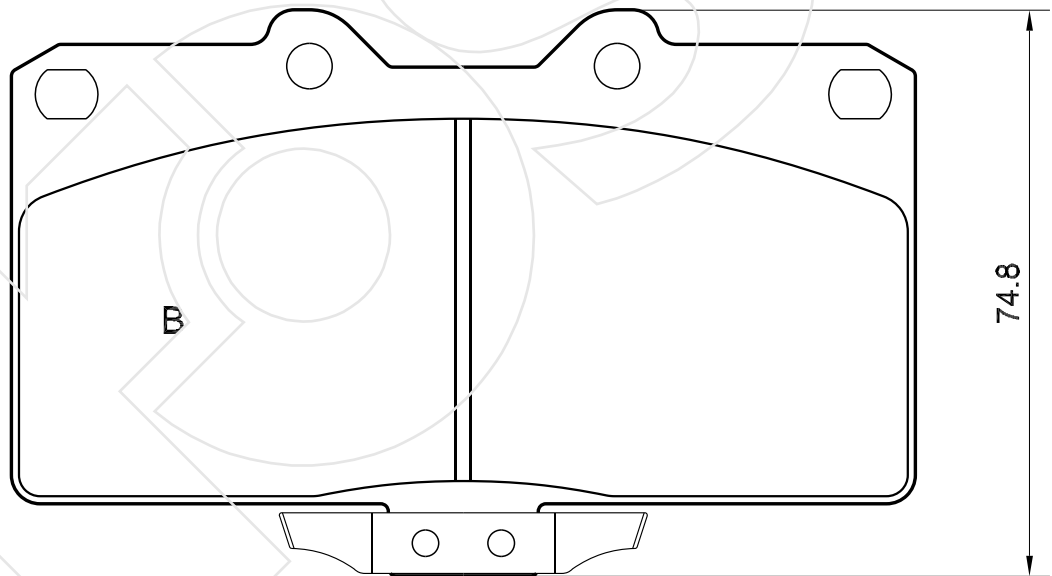
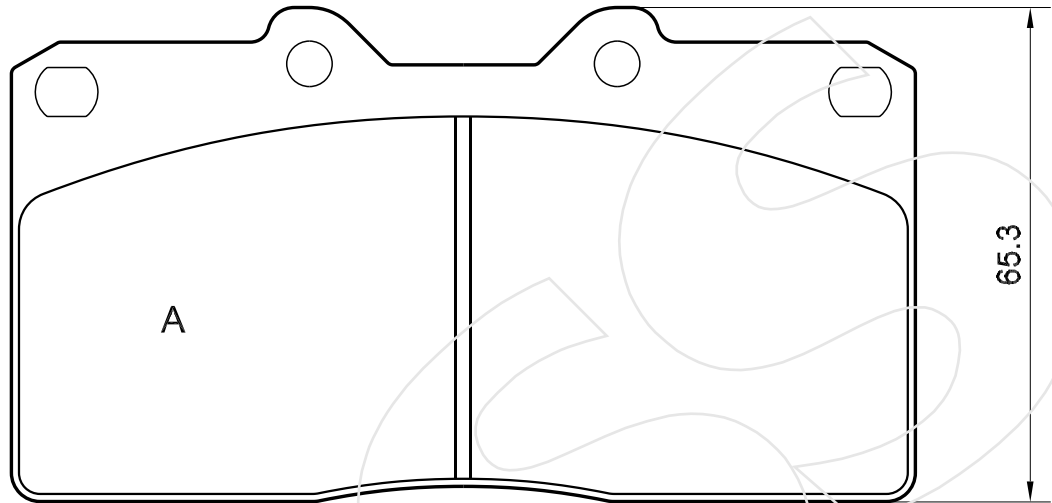
CODICE	IMPIANTO		ASSE	SCALA	APPLICAZIONI
<b>R-1127</b>	AKEBONO		ANTERIORE	1:1	TOYOTA
CODICE COMPONENTI	N°	L(mm)	SERIE		
*	*	*	4 PEZZI		
*	*	*			
*	*	*			
*	*	*			
CODICE ACCESSORI	N°	L(mm)	NOTE		
*	*	*			
*	*	*			
*	*	*			
*	*	*			



Reference in this Catalogue to other manufactures and to part numbers and other descriptions are for identification purposes only, because the above DISC BRAKE PADS are NOT ORIGINAL but with these interchangeable.

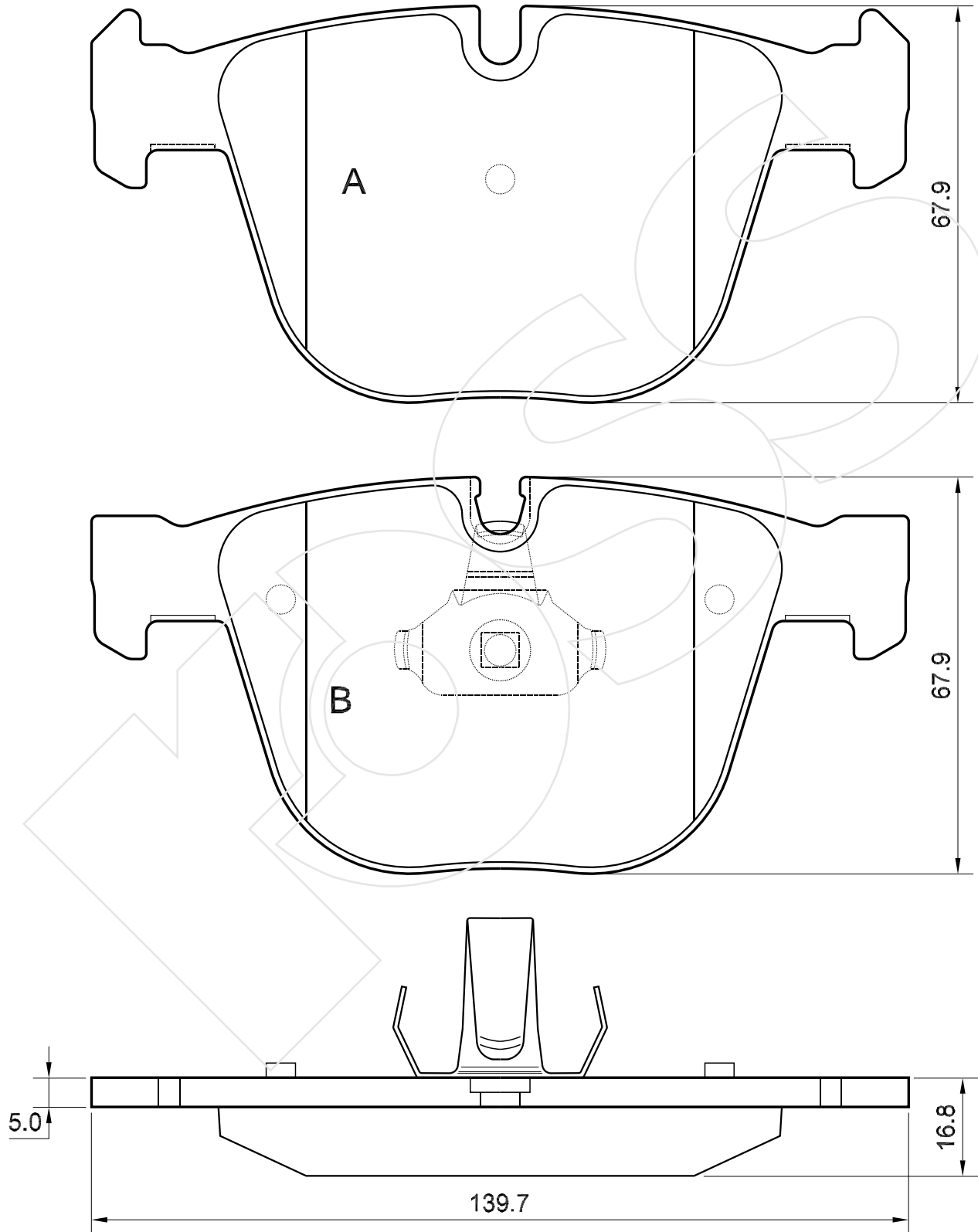


CODICE	IMPIANTO		ASSE	SCALA	APPLICAZIONI
<b>R-1128</b>	SUMITOMO		ANTERIORE	1:1	MITSUBISHI
CODICE COMPONENTI	N°	L(mm)	SERIE		DODGE
*	*	*	2 PEZZI TIPO A		
M0055	2	*	2 PEZZI TIPO B		
*	*	*	*		
*	*	*	*		
CODICE ACCESSORI	N°	L(mm)	NOTE		
*	*	*			
*	*	*			
*	*	*			
*	*	*			



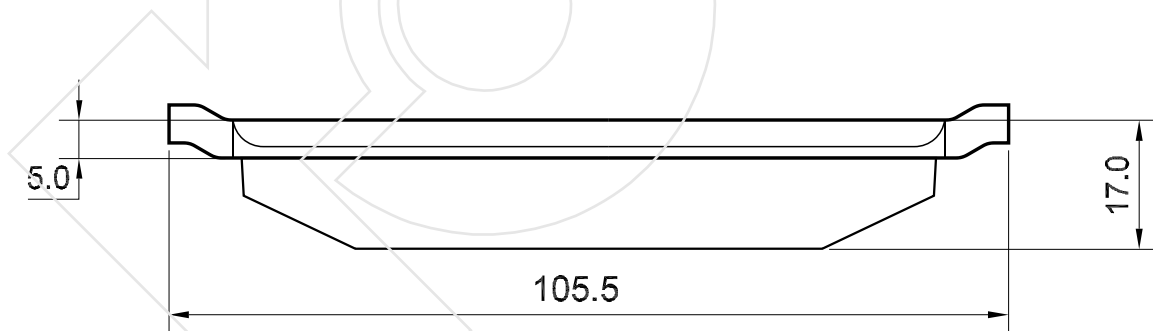
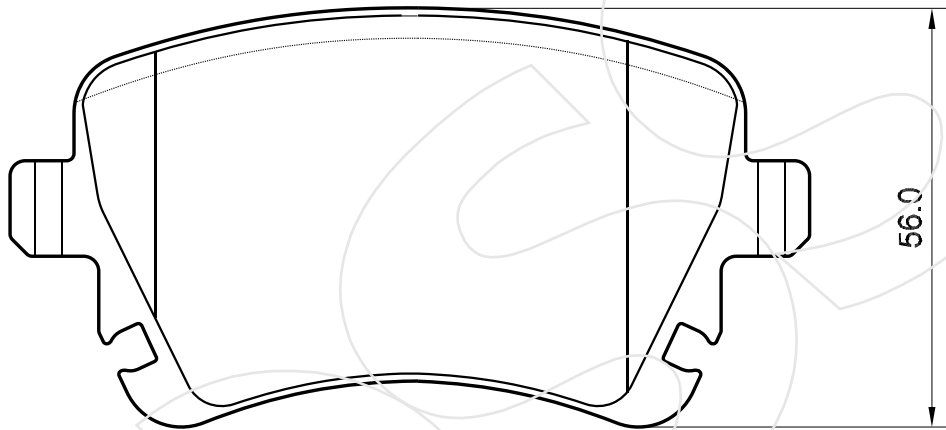
Reference in this Catalogue to other manufactures and to part numbers and other descriptions are for identification purposes only, because the above DISC BRAKE PADS are NOT ORIGINAL but with these interchangeable.

CODICE	IMPIANTO		ASSE	SCALA	APPLICAZIONI
<b>R-1129</b>	ATE		POSTERIORE	1:1	BMW
CODICE COMPONENTI	N°	L(mm)	SERIE		
*	*	*	2 PEZZI TIPO A		
M0106	2	*	2 PEZZI TIPO B		
*	*	*	*		
*	*	*	*		
CODICE ACCESSORI	N°	L(mm)	NOTE		
*	*	*			
*	*	*			
*	*	*			
*	*	*			

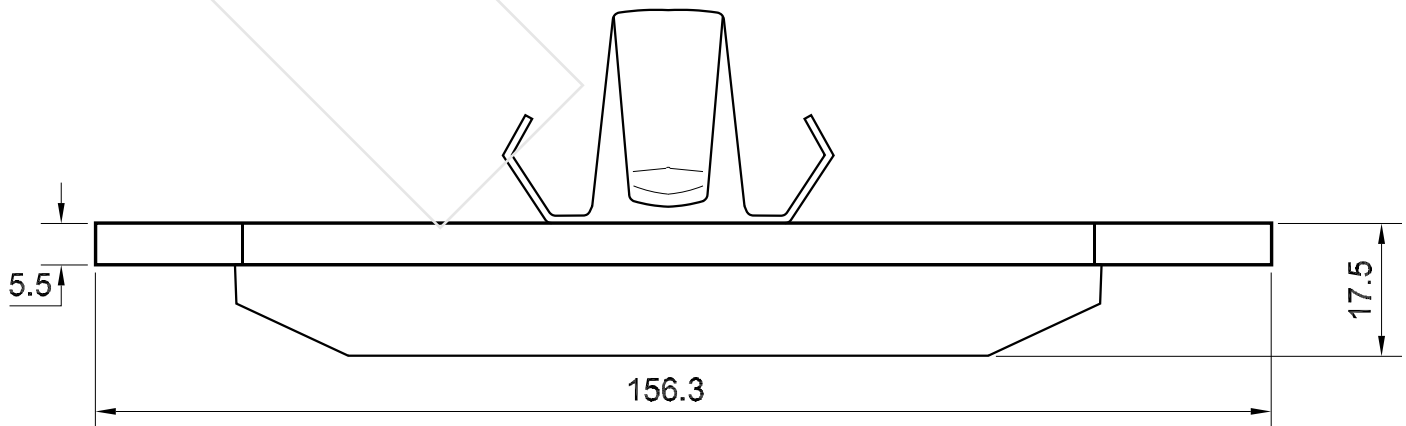
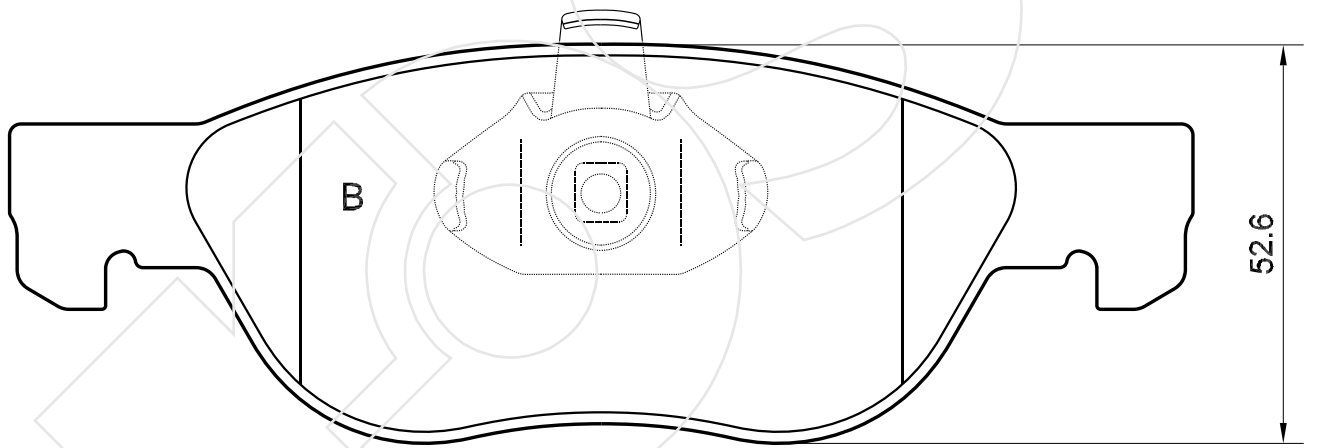
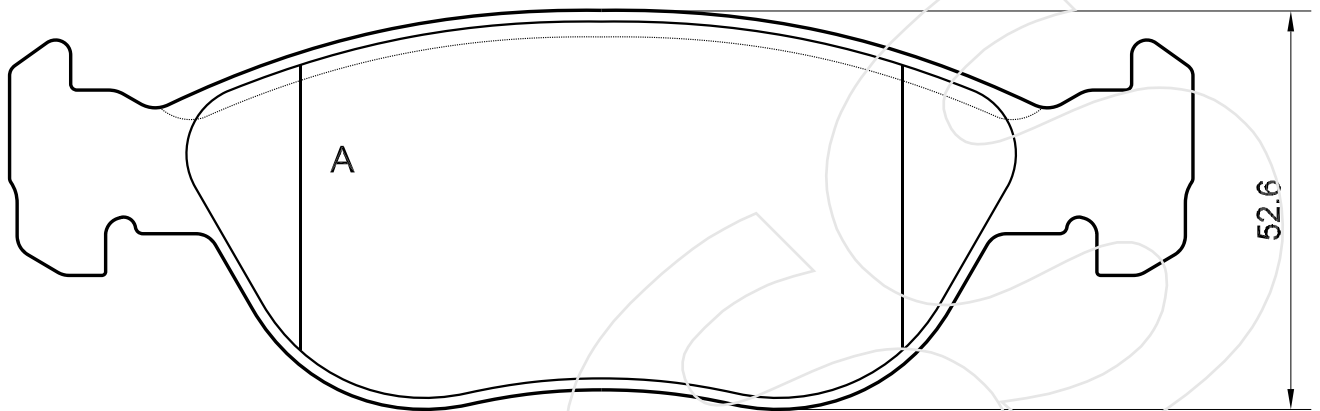


Reference in this Catalogue to other manufactures and to part numbers and other descriptions are for identification purposes only, because the above DISC BRAKE PADS are NOT ORIGINAL but with these interchangeable.

CODICE	IMPIANTO		ASSE	SCALA	APPLICAZIONI
<b>R-1130</b>	LUCAS		POSTERIORE	1:1	AUDI VOLKSWAGEN
CODICE COMPONENTI	N°	L(mm)	SERIE		
*	*	*	4 PEZZI		
*	*	*	*		
*	*	*	*		
*	*	*	*		
CODICE ACCESSORI	N°	L(mm)	NOTE		
*	*	*			
*	*	*			
*	*	*			
*	*	*			

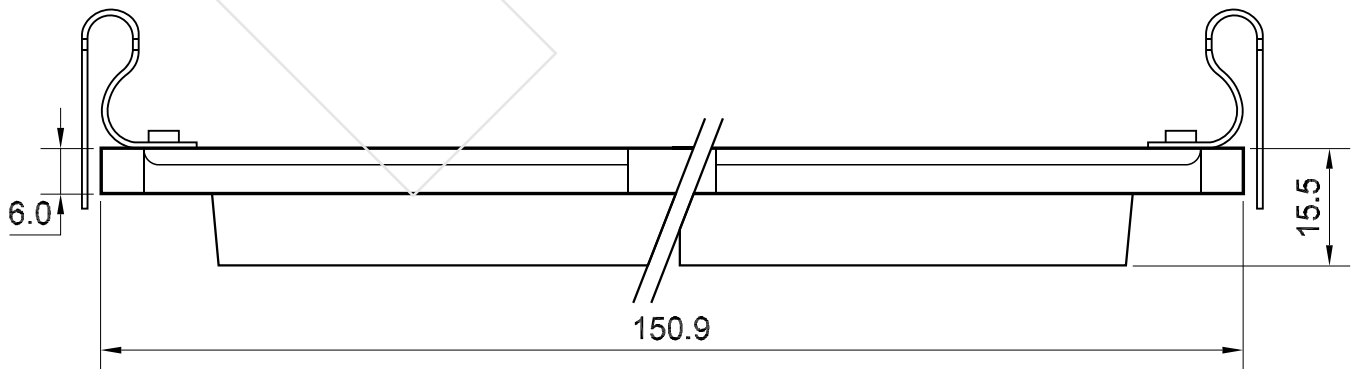
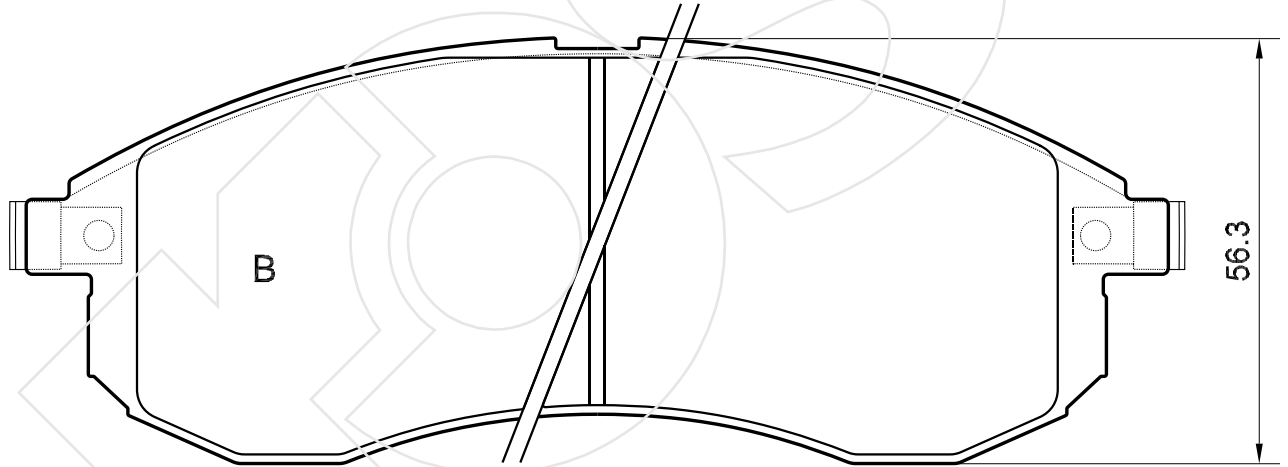
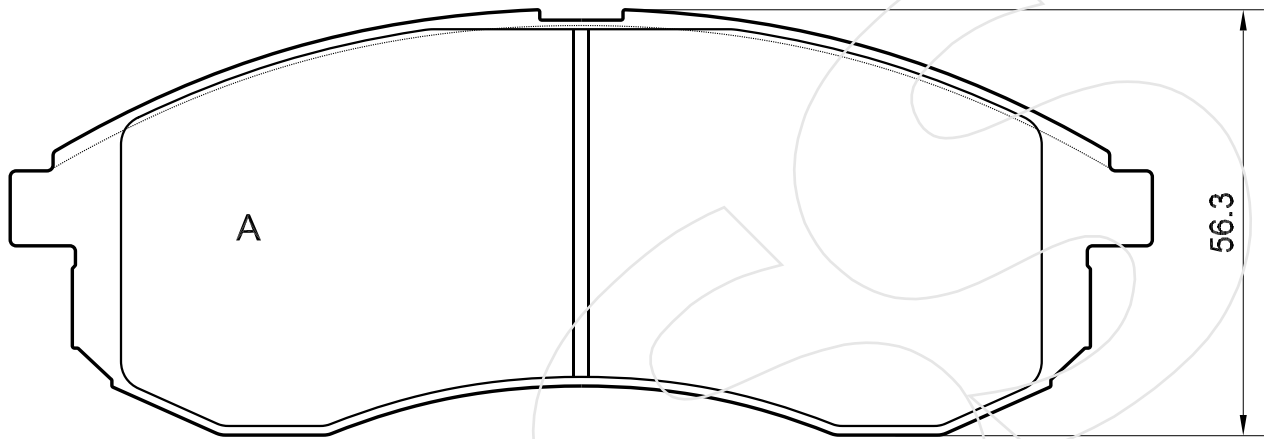


CODICE	IMPIANTO		ASSE	SCALA	APPLICAZIONI
<b>R-1131</b>	ATE		ANTERIORE	1:1	FIAT
CODICE COMPONENTI	N°	L(mm)	SERIE		
*	*	*	2 PEZZI TIPO A		
M0121	2	*	2 PEZZI TIPO B		
*	*	*	*		
*	*	*	*		
CODICE ACCESSORI	N°	L(mm)	NOTE		
*	*	*			
*	*	*			
*	*	*			
*	*	*			



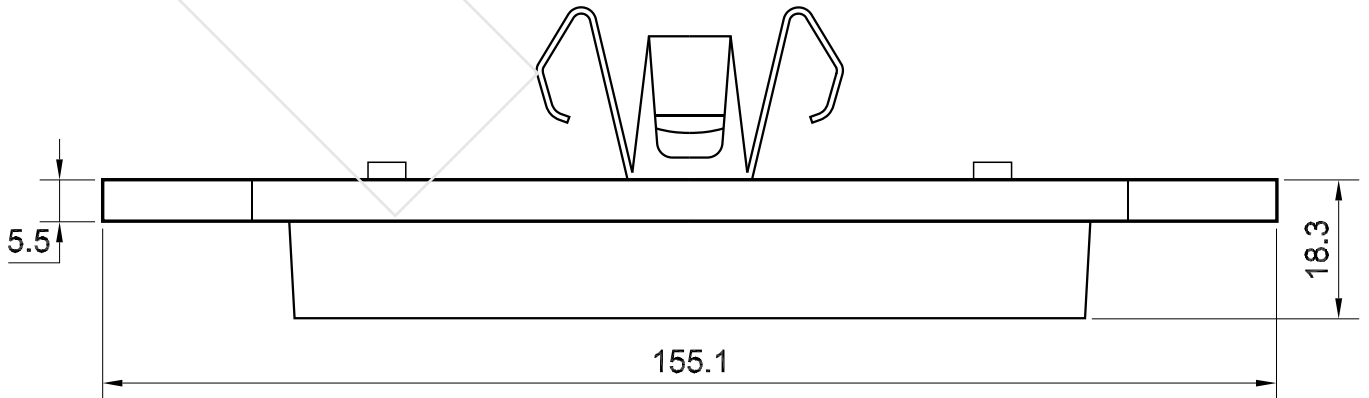
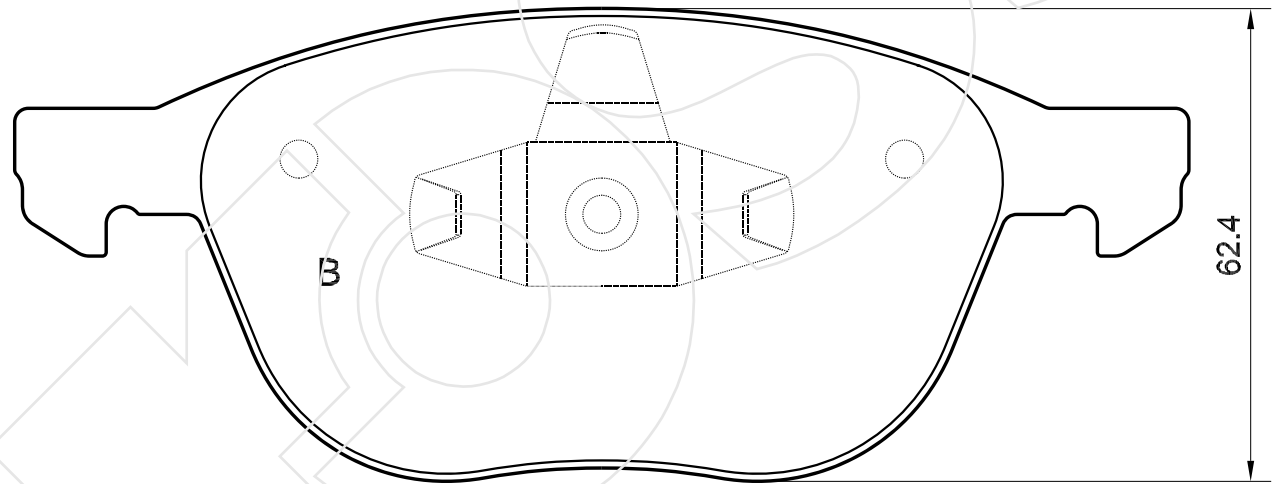
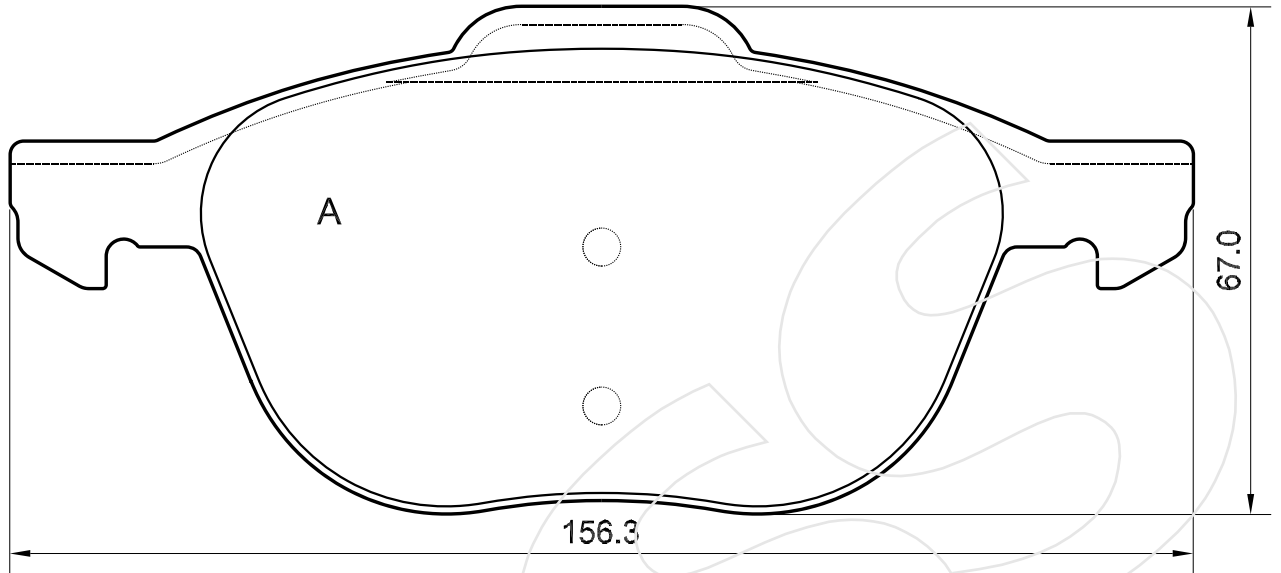
Reference in this Catalogue to other manufactures and to part numbers and other descriptions are for identification purposes only, because the above DISC BRAKE PADS are NOT ORIGINAL but with these interchangeable.

CODICE	IMPIANTO		ASSE	SCALA	APPLICAZIONI
<b>R-1132</b>	SUMITOMO		ANTERIORE	1:1	MITSUBISHI
CODICE COMPONENTI	N°	L(mm)	SERIE		
*	*	*	2 PEZZI TIPO A		
M0074	2	*	2 PEZZI TIPO B		
*	*	*	*		
*	*	*	*		
CODICE ACCESSORI	N°	L(mm)	NOTE		
*	*	*			
*	*	*			
*	*	*			
*	*	*			



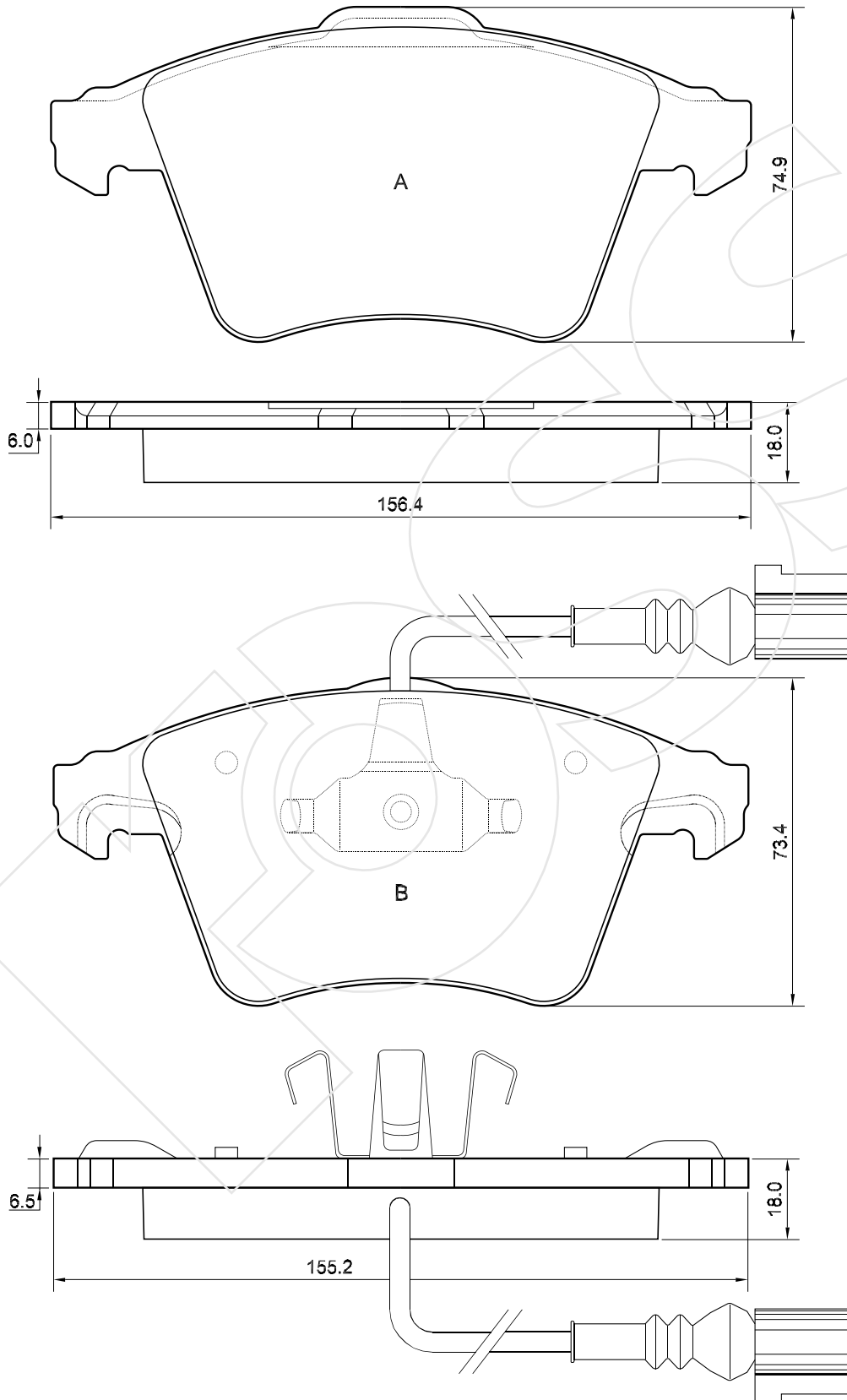
Reference in this Catalogue to other manufactures and to part numbers and other descriptions are for identification purposes only, because the above DISC BRAKE PADS are NOT ORIGINAL but with these interchangeable.

CODICE	IMPIANTO		ASSE	SCALA	APPLICAZIONI
<b>R-1133</b>	ATE		ANTERIORE	1:1	FORD
CODICE COMPONENTI	N°	L(mm)	SERIE		MAZDA
*	*	*	2 PEZZI TIPO A		
M0284	2	*	2 PEZZI TIPO B		VOLVO
*	*	*	*		
*	*	*	*		
CODICE ACCESSORI	N°	L(mm)	NOTE		
*	*	*			
*	*	*			
*	*	*			
*	*	*			



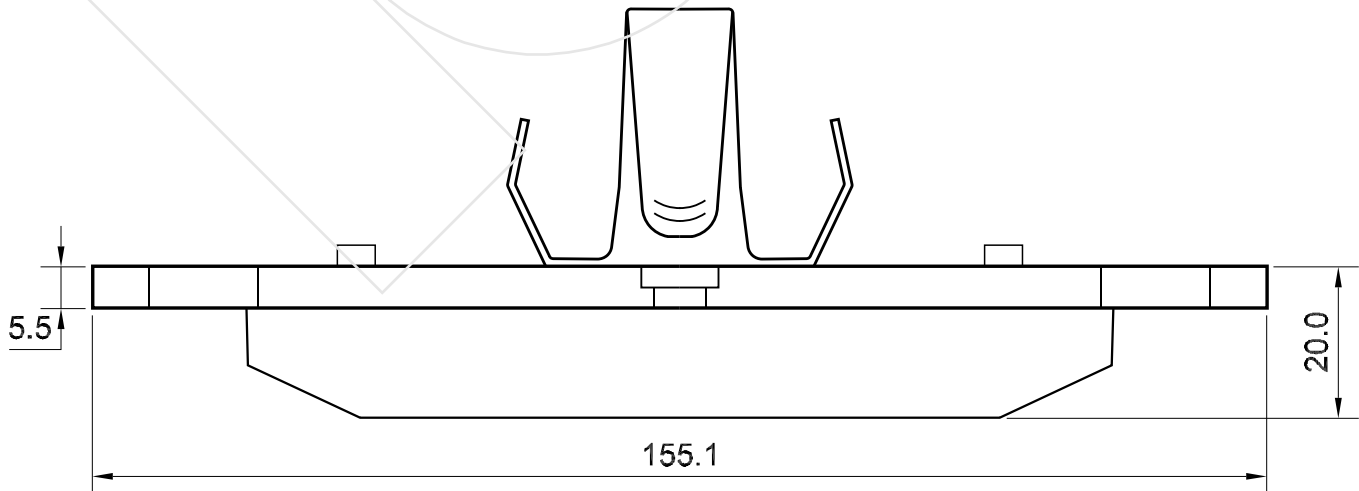
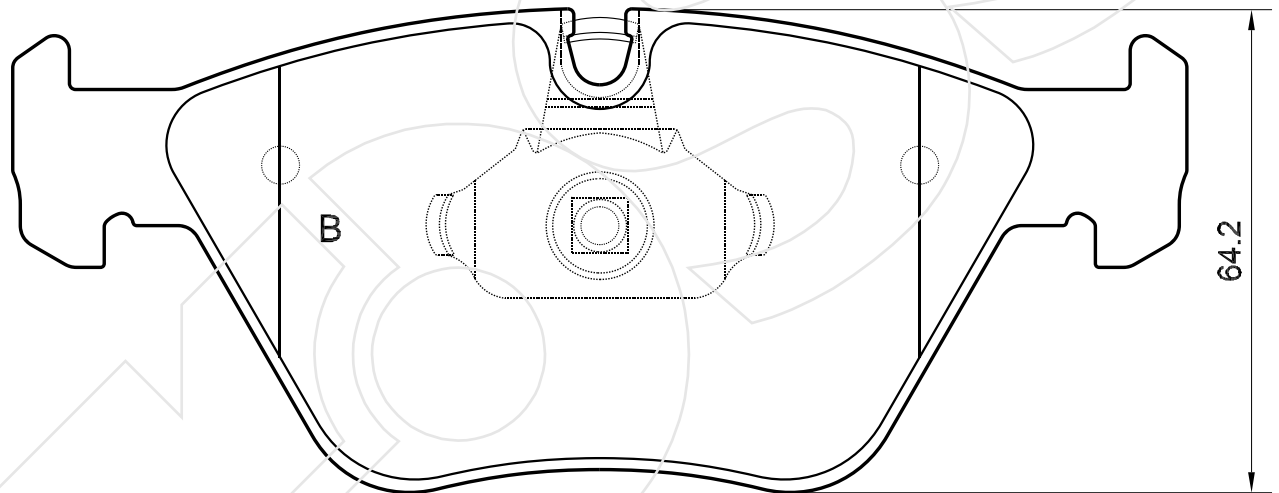
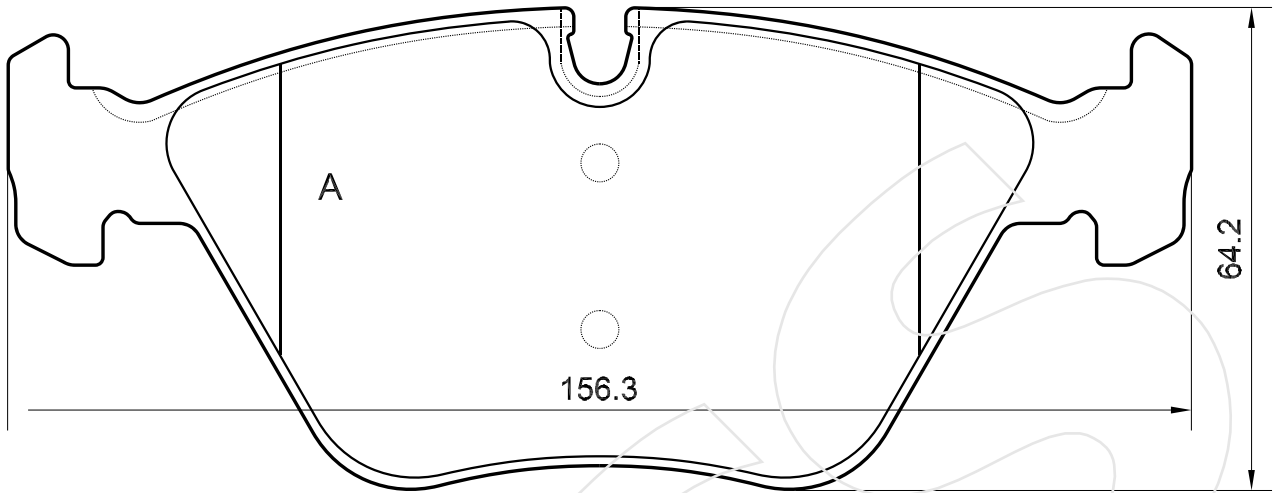
Reference in this Catalogue to other manufactures and to part numbers and other descriptions are for identification purposes only, because the above DISC BRAKE PADS are NOT ORIGINAL but with these interchangeable.

CODICE	IMPIANTO		ASSE	SCALA	APPLICAZIONI
<b>R-1134</b>	ATE		ANTERIORE	70%	VOLKSWAGEN
CODICE COMPONENTI	N°	L(mm)	SERIE		
*	*	*	2 PEZZI TIPO A		
M0176+F3142	2+2	200	2 PEZZI TIPO B		
*	*	*	*		
*	*	*	*		
CODICE ACCESSORI	N°	L(mm)	NOTE		
*	*	*			
*	*	*			
*	*	*			
*	*	*			



Reference in this Catalogue to other manufactures and to part numbers and other descriptions are for identification purposes only, because the above DISC BRAKE PADS are NOT ORIGINAL but with these interchangeable.

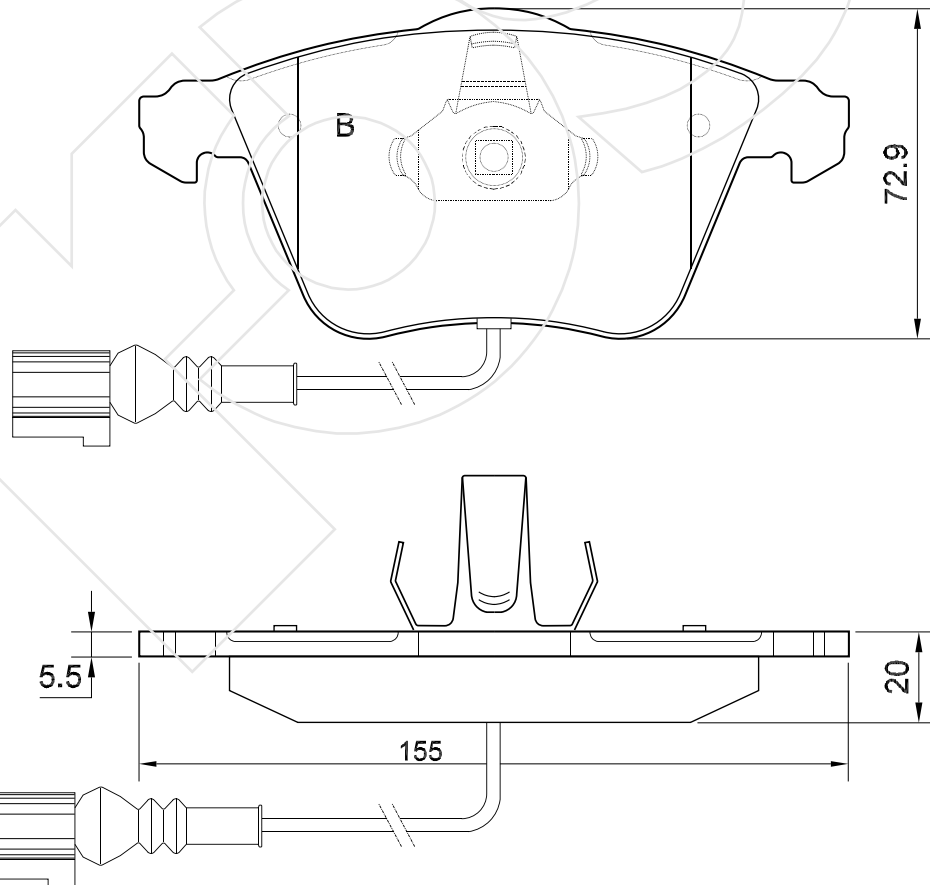
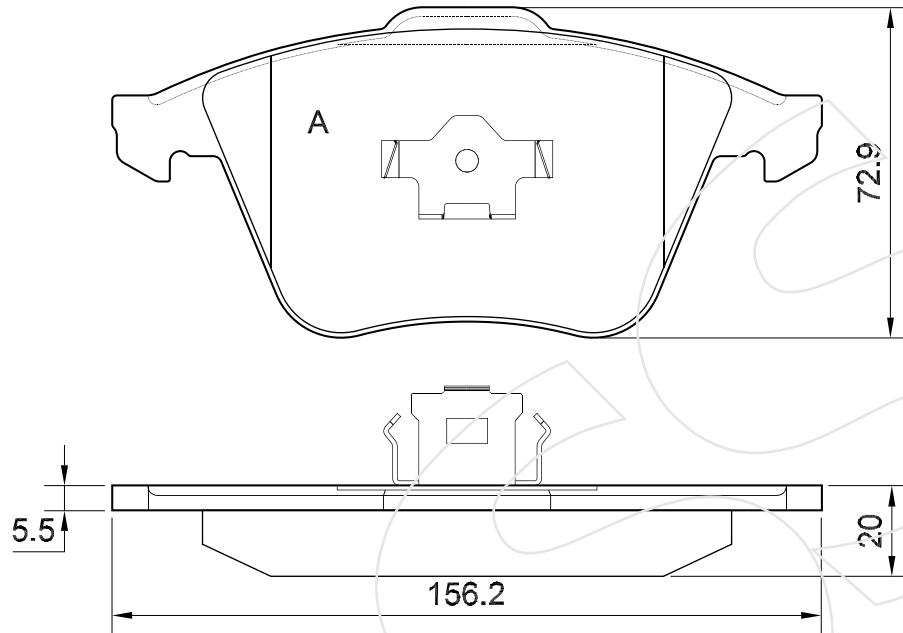
CODICE	IMPIANTO		ASSE	SCALA	APPLICAZIONI
<b>R-1135</b>	ATE		ANTERIORE	1:1	BMW
CODICE COMPONENTI	N°	L(mm)	SERIE		ROVER -MG
*	*	*	2 PEZZI TIPO A		
M0144	2	*	2 PEZZI TIPO B		
*	*	*	*		
*	*	*	*		
CODICE ACCESSORI	N°	L(mm)	NOTE		
*	*	*			
*	*	*			
*	*	*			
*	*	*			



Reference in this Catalogue to other manufactures and to part numbers and other descriptions are for identification purposes only, because the above DISC BRAKE PADS are NOT ORIGINAL but with these interchangeable.

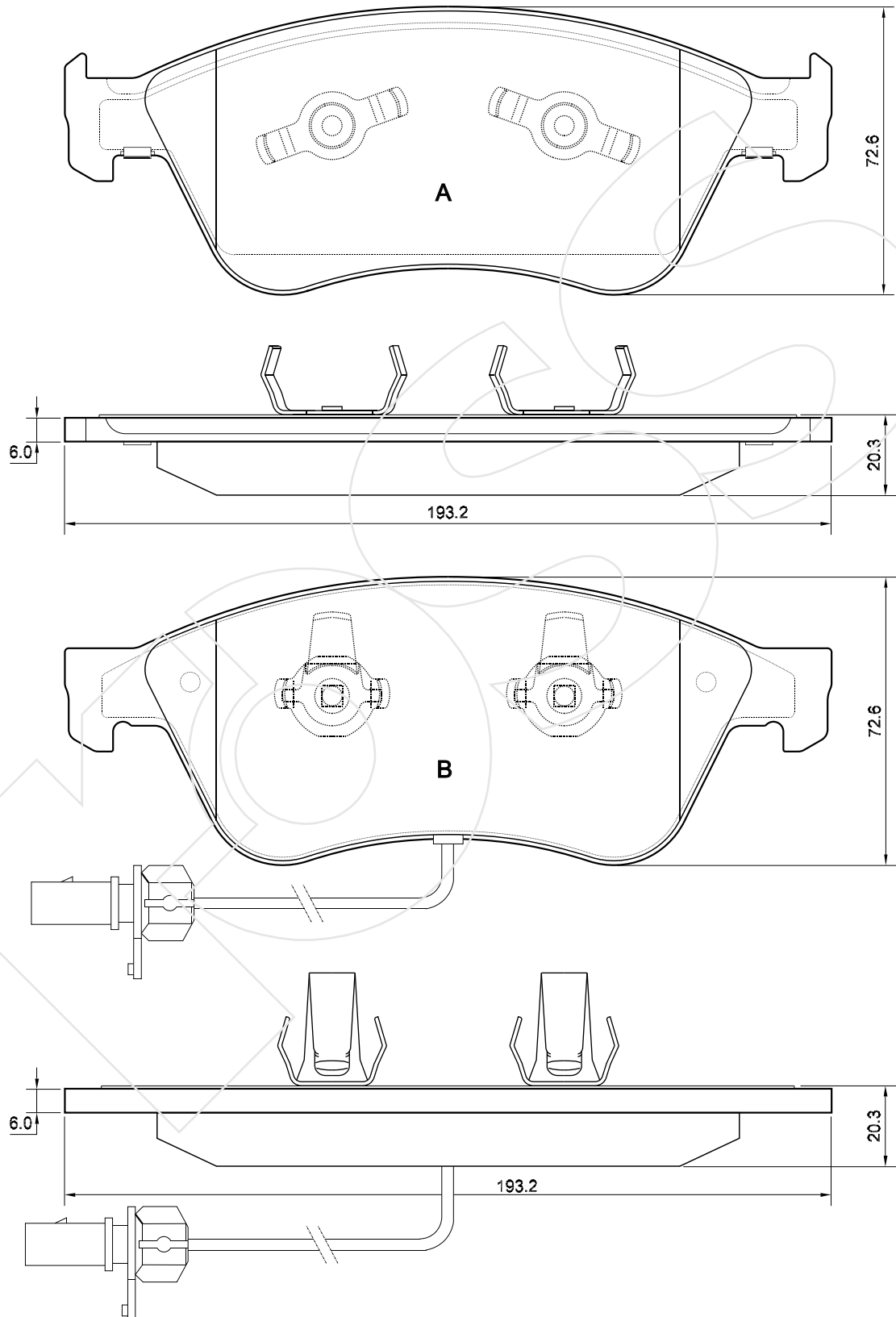


CODICE	IMPIANTO	ASSE	SCALA	APPLICAZIONI
<b>R-1136</b>	ATE	ANTERIORE	60%	AUDI
CODICE COMPONENTI	N°	L(mm)	SERIE	
M0283	2	*	2 PEZZI TIPO A	
M***+F3135	2+2	180	2 PEZZI TIPO B	
*	*	*		
*	*	*		
CODICE ACCESSORI	N°	L(mm)	NOTE	
*	*	*		
*	*	*		
*	*	*		
*	*	*		



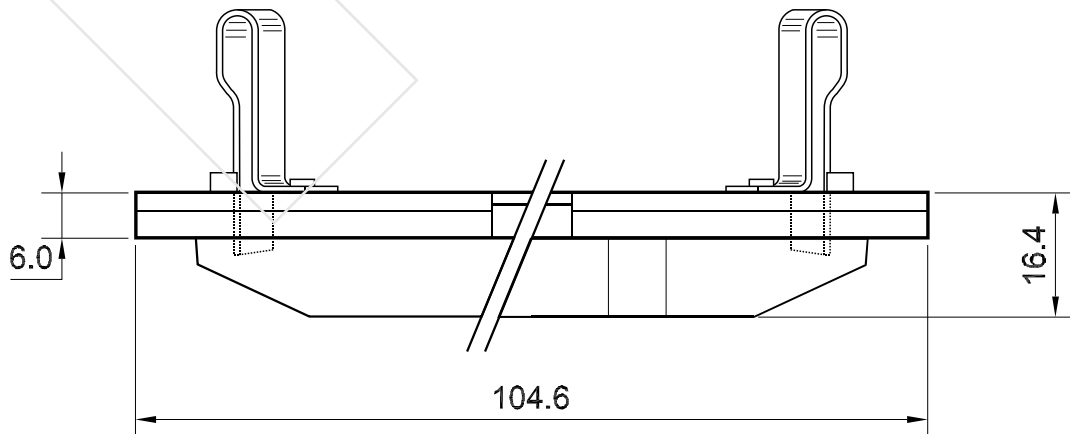
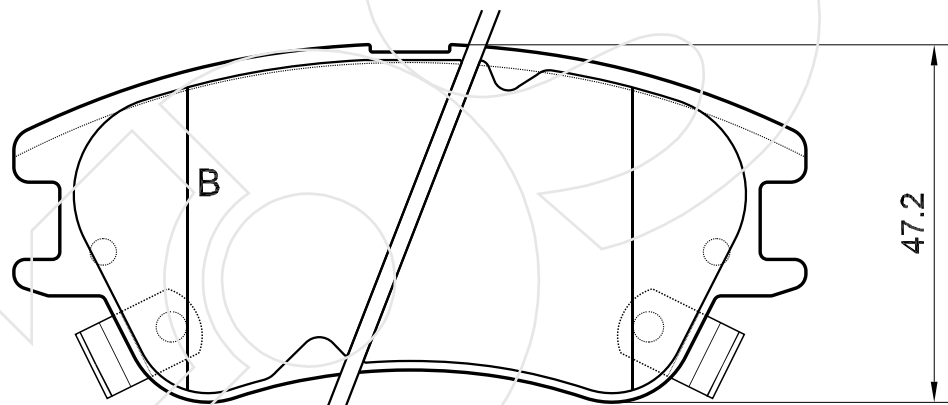
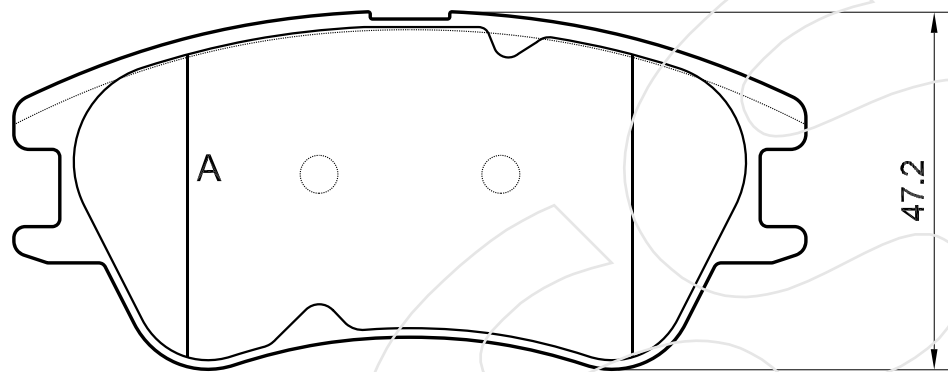
Reference in this Catalogue to other manufactures and to part numbers and other descriptions are for identification purposes only, because the above DISC BRAKE PADS are NOT ORIGINAL but with these interchangeable.

CODICE	IMPIANTO		ASSE	SCALA	APPLICAZIONI
<b>R-1137</b>	ATE		ANTERIORE	65%	AUDI
CODICE COMPONENTI	N°	L(mm)	SERIE		
M0298	4	*	2 PEZZI TIPO A		
M0299+F3151	4+2	250	2 PEZZI TIPO B		
*	*	*	*		
*	*	*	*		
CODICE ACCESSORI	N°	L(mm)	NOTE		
*	*	*			
*	*	*			
*	*	*			
*	*	*			



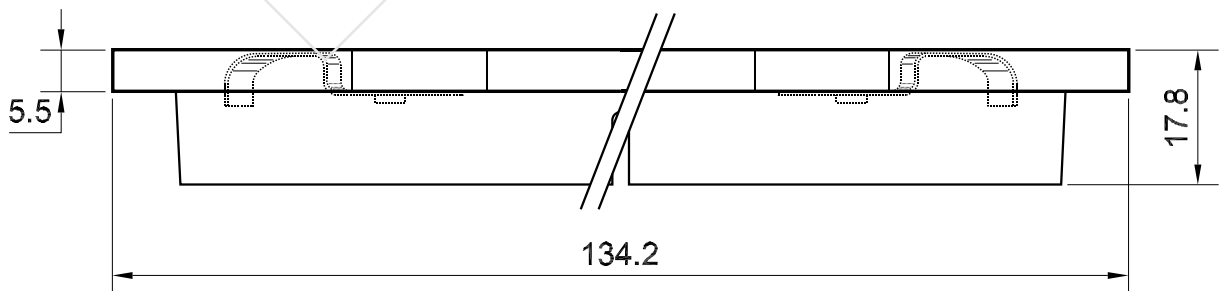
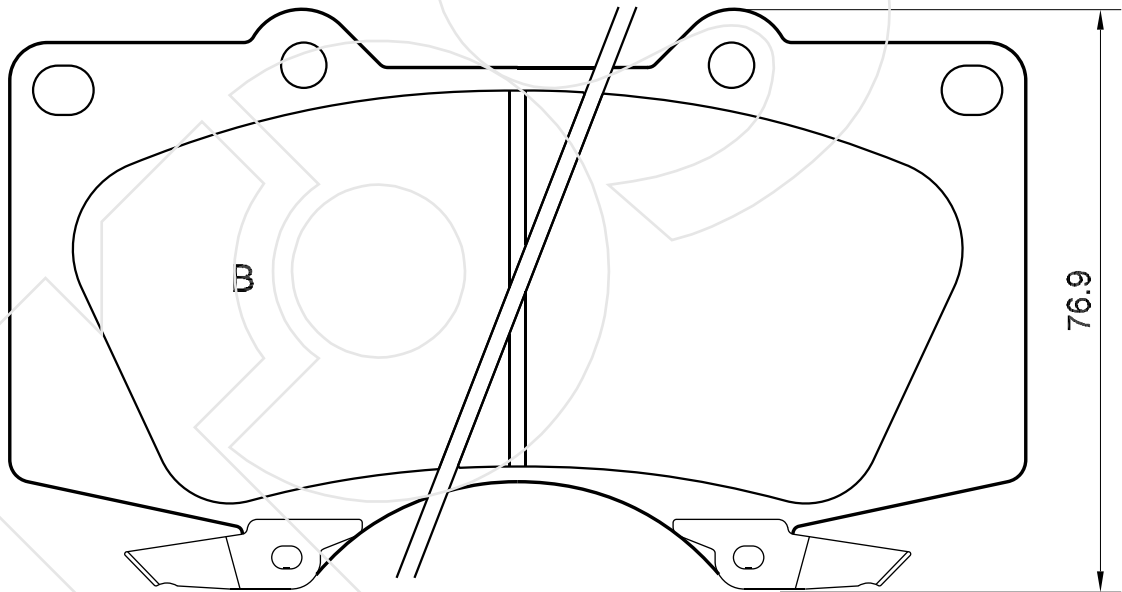
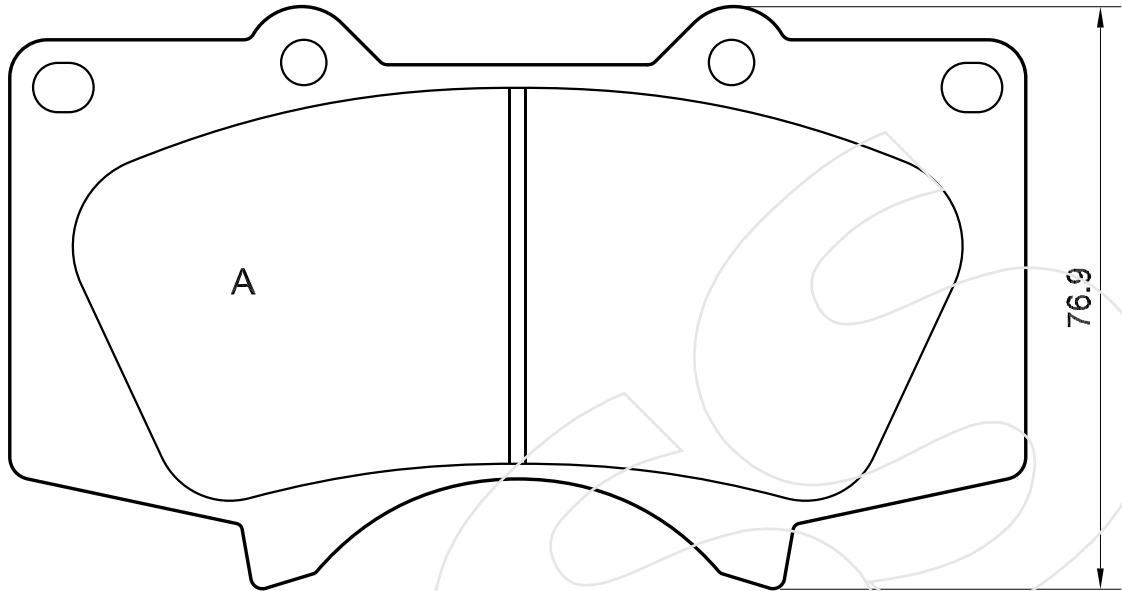
Reference in this Catalogue to other manufactures and to part numbers and other descriptions are for identification purposes only, because the above DISC BRAKE PADS are NOT ORIGINAL but with these interchangeable.

CODICE	IMPIANTO		ASSE	SCALA	APPLICAZIONI
<b>R-1138</b>	MANDO		ANTERIORE	1:1	HYUNDAI
CODICE COMPONENTI	N°	L(mm)	SERIE		
*	*	*	2 PEZZI TIPO A		
M0036	2	*	2 PEZZI TIPO B		
*	*	*	*		
*	*	*	*		
CODICE ACCESSORI	N°	L(mm)	NOTE		
*	*	*			
*	*	*			
*	*	*			
*	*	*			



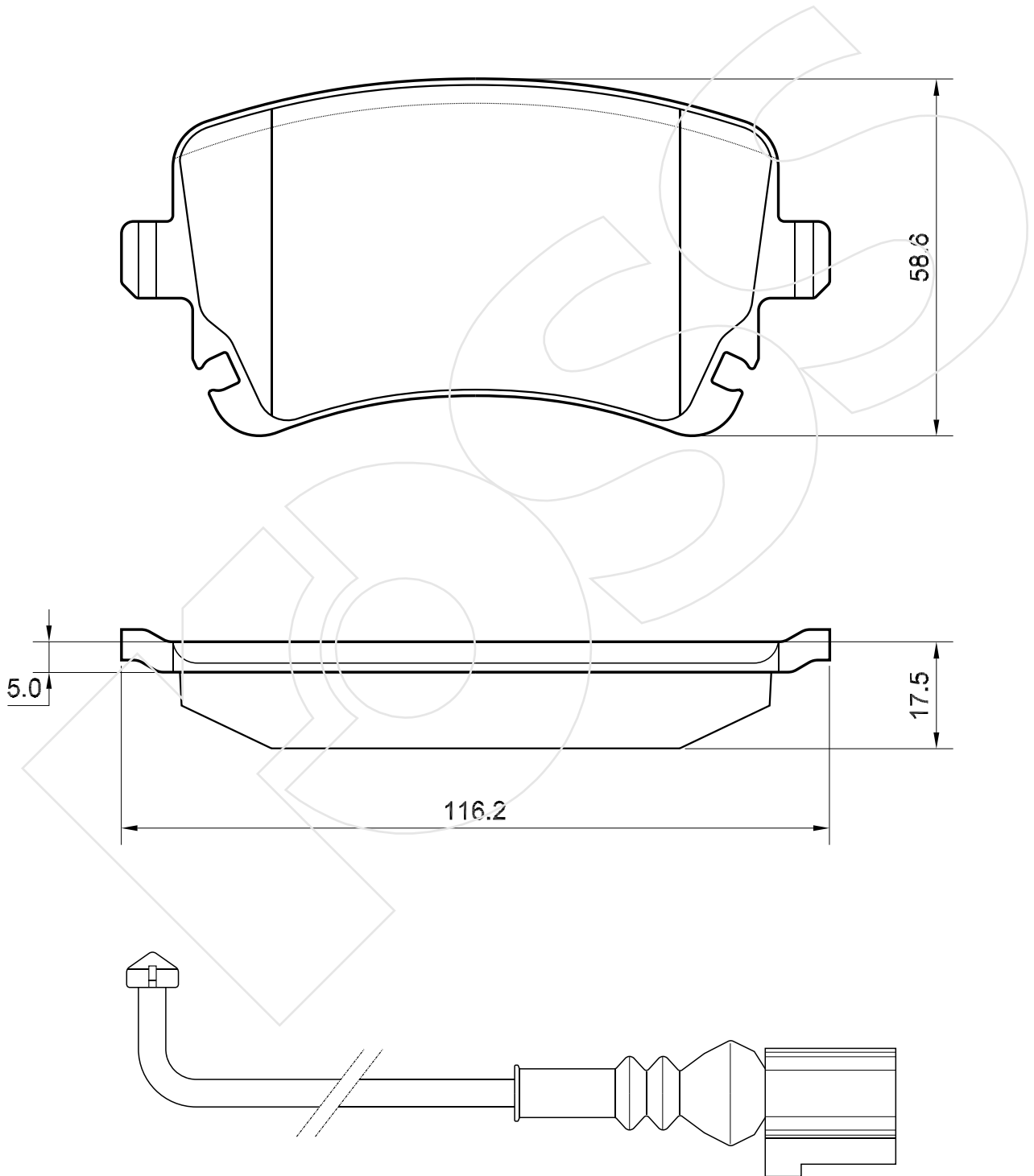
Reference in this Catalogue to other manufactures and to part numbers and other descriptions are for identification purposes only, because the above DISC BRAKE PADS are NOT ORIGINAL but with these interchangeable.

CODICE	IMPIANTO		ASSE	SCALA	APPLICAZIONI
<b>R-1139</b>	SUMITOMO		ANTERIORE	1:1	TOYOTA
CODICE COMPONENTI	N°	L(mm)	SERIE		
*	*	*	2 PEZZI TIPO A		
M0296+M0297	1+1	*	2 PEZZI TIPO B		
*	*	*	*		
*	*	*	*		
CODICE ACCESSORI	N°	L(mm)	NOTE		
*	*	*			
*	*	*			
*	*	*			
*	*	*			



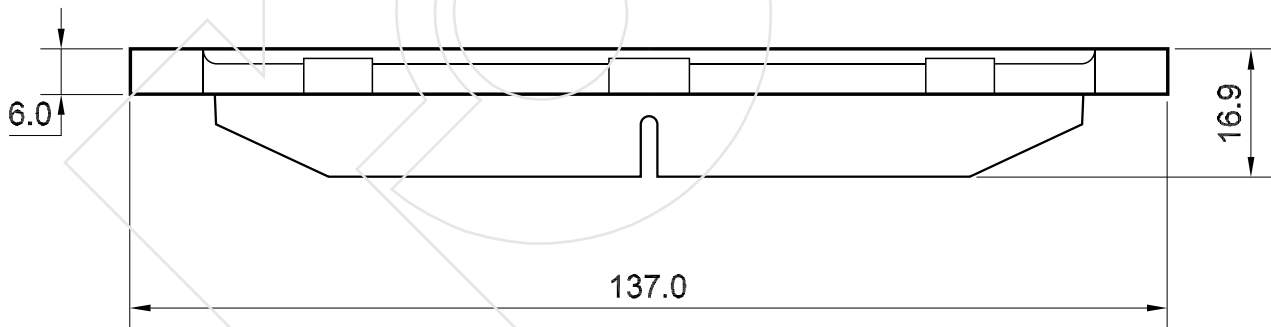
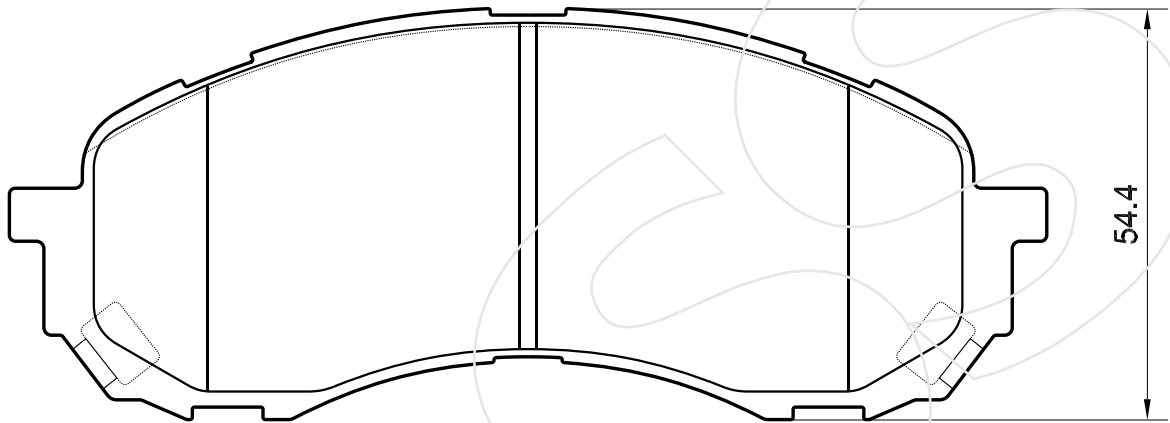
Reference in this Catalogue to other manufactures and to part numbers and other descriptions are for identification purposes only, because the above DISC BRAKE PADS are NOT ORIGINAL but with these interchangeable.

CODICE	IMPIANTO		ASSE	SCALA	APPLICAZIONI
<b>R-1140</b>	LUCAS		POSTERIORE	1:1	VOLSWAGEN
CODICE COMPONENTI	N°	L(mm)	SERIE		
F3148	1	170	4 PEZZI		
*	*	*	*		
*	*	*	*		
*	*	*	*		
CODICE ACCESSORI	N°	L(mm)	NOTE		
*	*	*			
*	*	*			
*	*	*			
*	*	*			



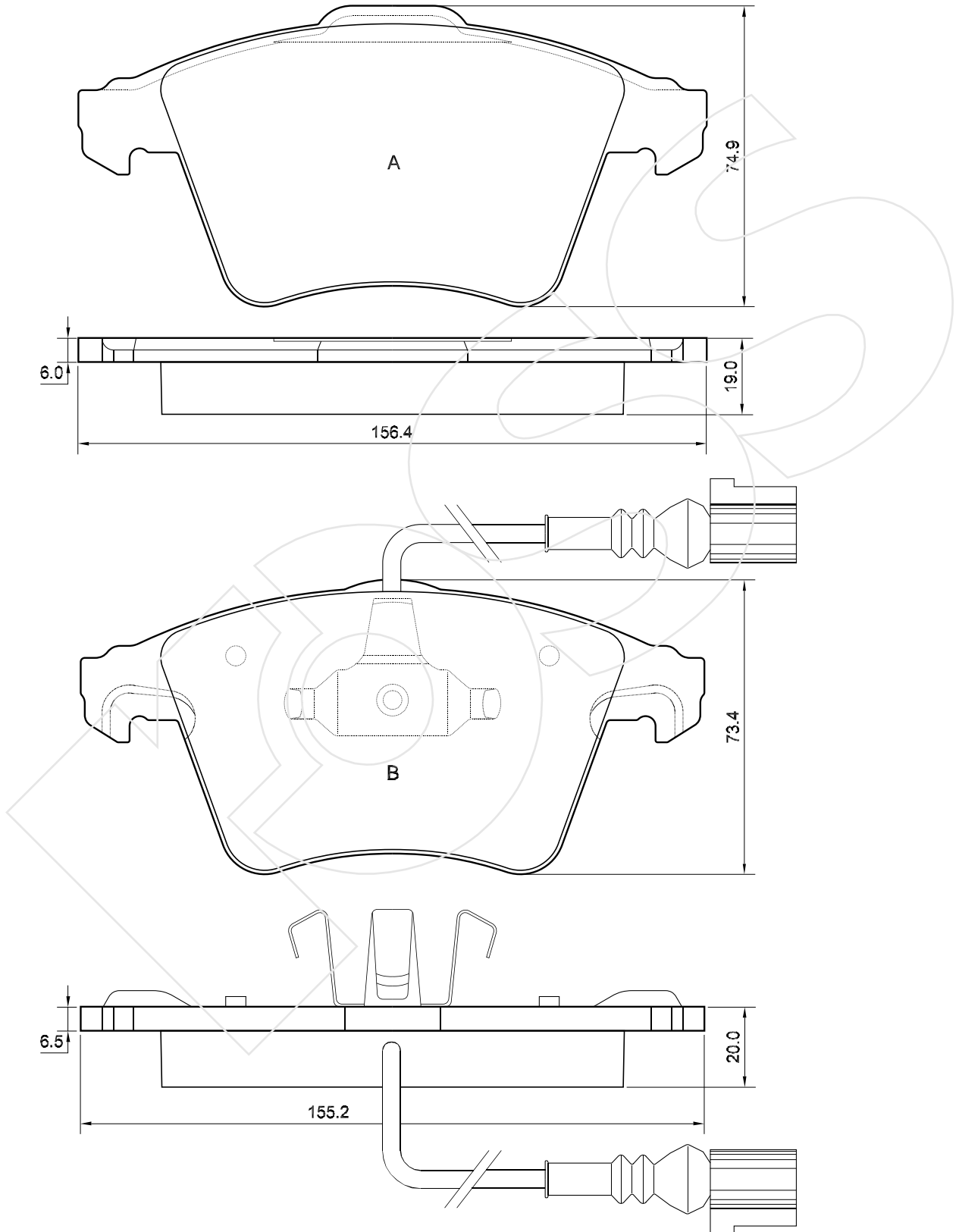
Reference in this Catalogue to other manufactures and to part numbers and other descriptions are for identification purposes only, because the above DISC BRAKE PADS are NOT ORIGINAL but with these interchangeable.

CODICE	IMPIANTO		ASSE	SCALA	APPLICAZIONI
<b>R-1141</b>	AKEBONO		ANTERIORE	1:1	SUBARU
CODICE COMPONENTI	N°	L(mm)	SERIE		
M0251	2	*	4 PEZZI		
*	*	*	*		
*	*	*	*		
*	*	*	*		
CODICE ACCESSORI	N°	L(mm)	NOTE		
*	*	*			
*	*	*			
*	*	*			
*	*	*			



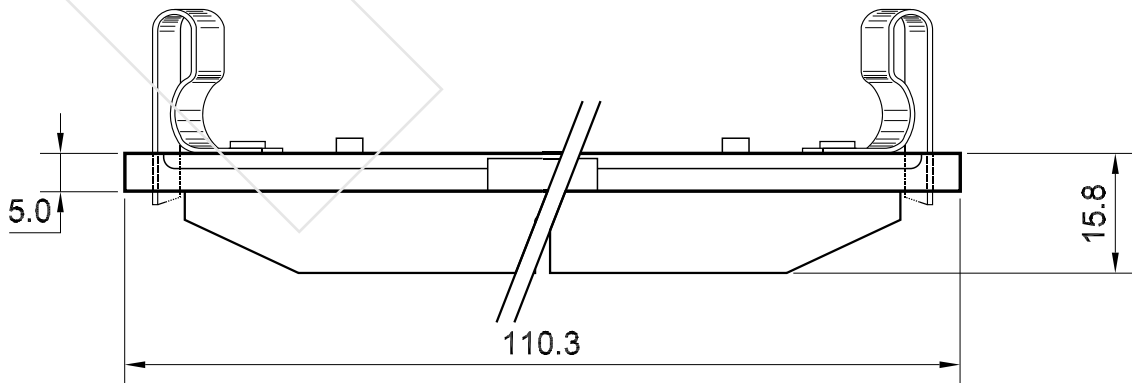
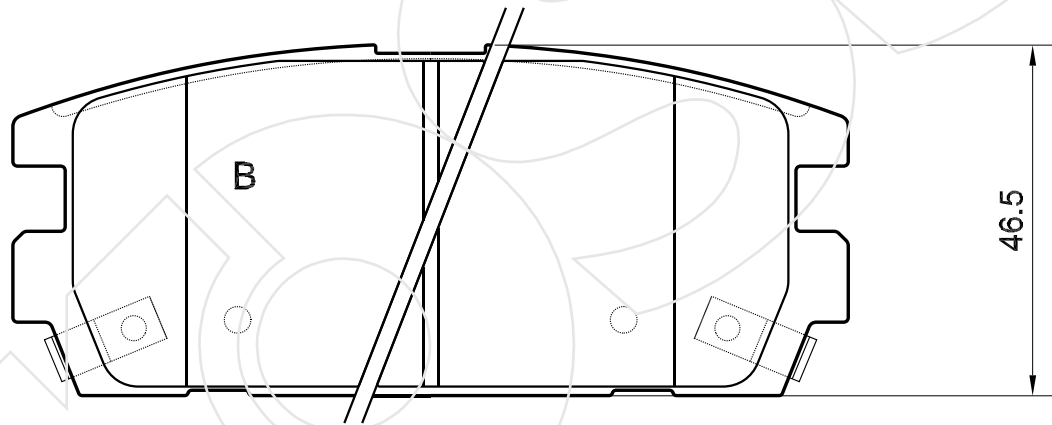
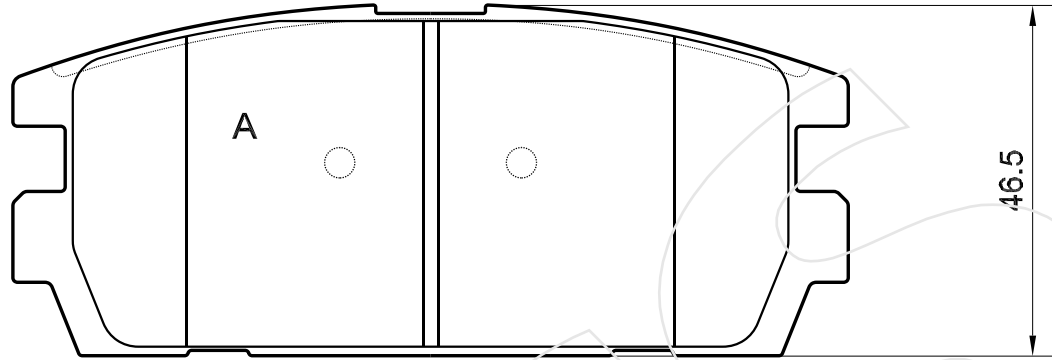
Reference in this Catalogue to other manufactures and to part numbers and other descriptions are for identification purposes only, because the above DISC BRAKE PADS are NOT ORIGINAL but with these interchangeable.

CODICE	IMPIANTO		ASSE	SCALA	APPLICAZIONI
<b>R-1142</b>	ATE		ANTERIORE	70%	VOLKSWAGEN
CODICE COMPONENTI	N°	L(mm)	SERIE		
*	*	*	2 PEZZI TIPO A		
M0176+F3149	2+2	310	2 PEZZI TIPO B		
*	*	*	*		
*	*	*	*		
CODICE ACCESSORI	N°	L(mm)	NOTE		
*	*	*			
*	*	*			
*	*	*			
*	*	*			



Reference in this Catalogue to other manufactures and to part numbers and other descriptions are for identification purposes only, because the above DISC BRAKE PADS are NOT ORIGINAL but with these interchangeable.

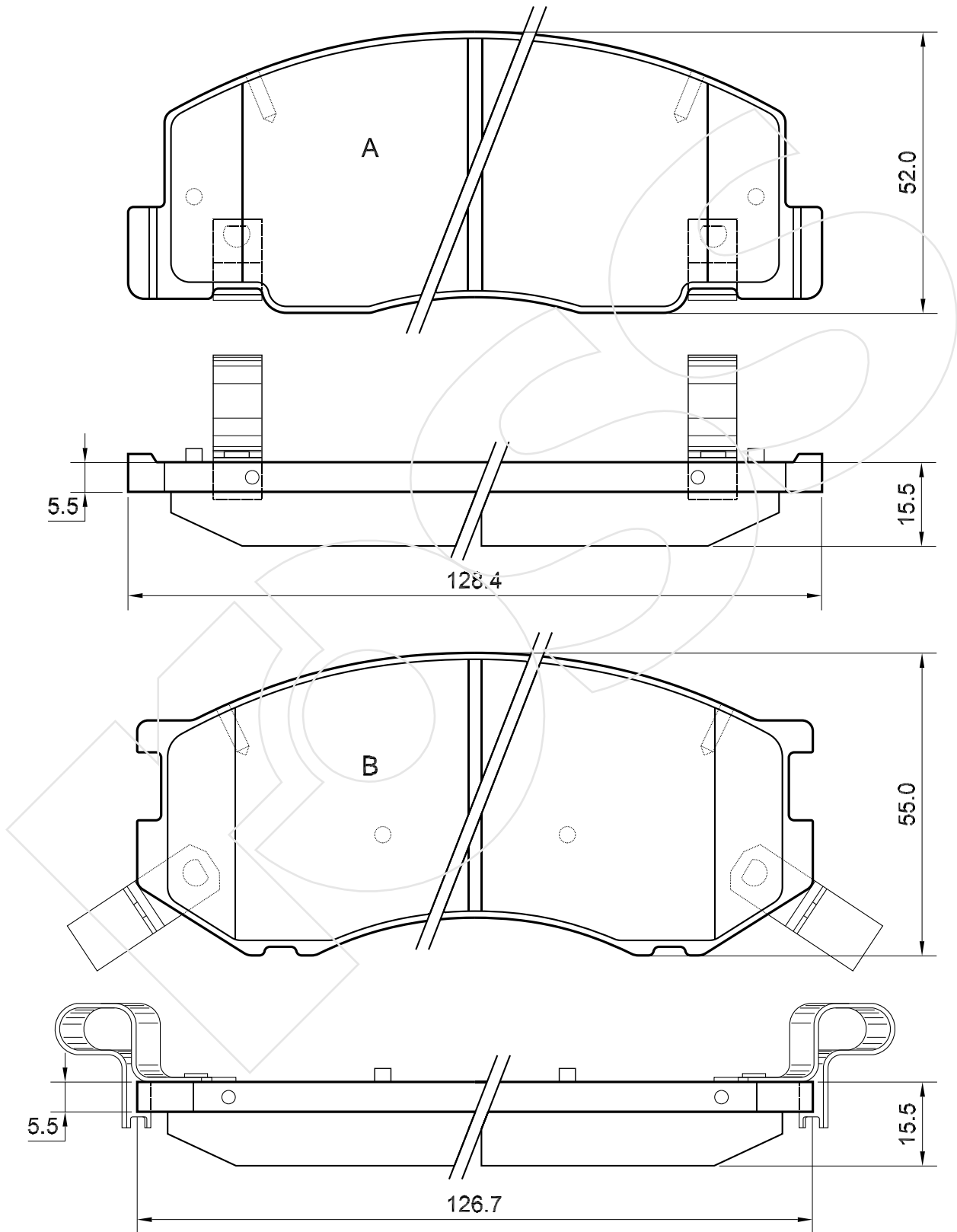
CODICE	IMPIANTO		ASSE	SCALA	APPLICAZIONI
<b>R-1143</b>	MANDO		POSTERIORE	1:1	HYUNDAI
CODICE COMPONENTI	N°	L(mm)	SERIE		
*	*	*	2 PEZZI TIPO A		
M0074	2	*	2 PEZZI TIPO B		
*	*	*	*		
*	*	*	*		
CODICE ACCESSORI	N°	L(mm)	NOTE		
*	*	*			
*	*	*			
*	*	*			
*	*	*			



Reference in this Catalogue to other manufactures and to part numbers and other descriptions are for identification purposes only, because the above DISC BRAKE PADS are NOT ORIGINAL but with these interchangeable.

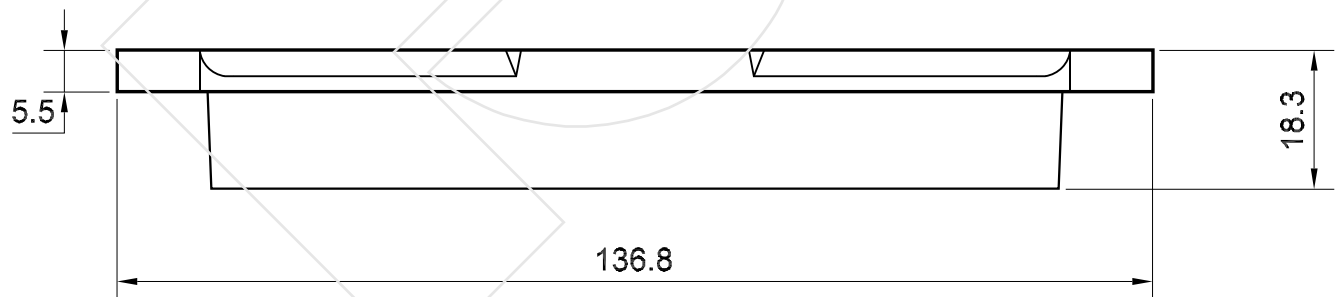
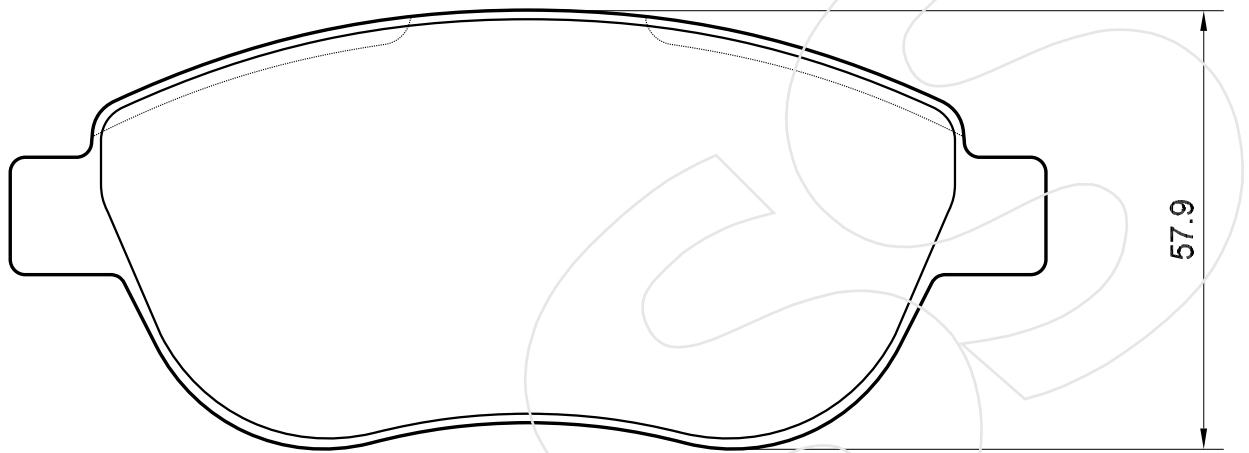


CODICE	IMPIANTO		ASSE	SCALA	APPLICAZIONI
<b>R-1144</b>	SUMITOMO		ANTERIORE	1:1	TOYOTA
CODICE COMPONENTI	N°	L(mm)	SERIE		
M****	2	*	2 PEZZI TIPO A		
M0025	2	*	2 PEZZI TIPO B		
*	*	*	*		
*	*	*	*		
CODICE ACCESSORI	N°	L(mm)	NOTE		
*	*	*			
*	*	*			
*	*	*			
*	*	*			



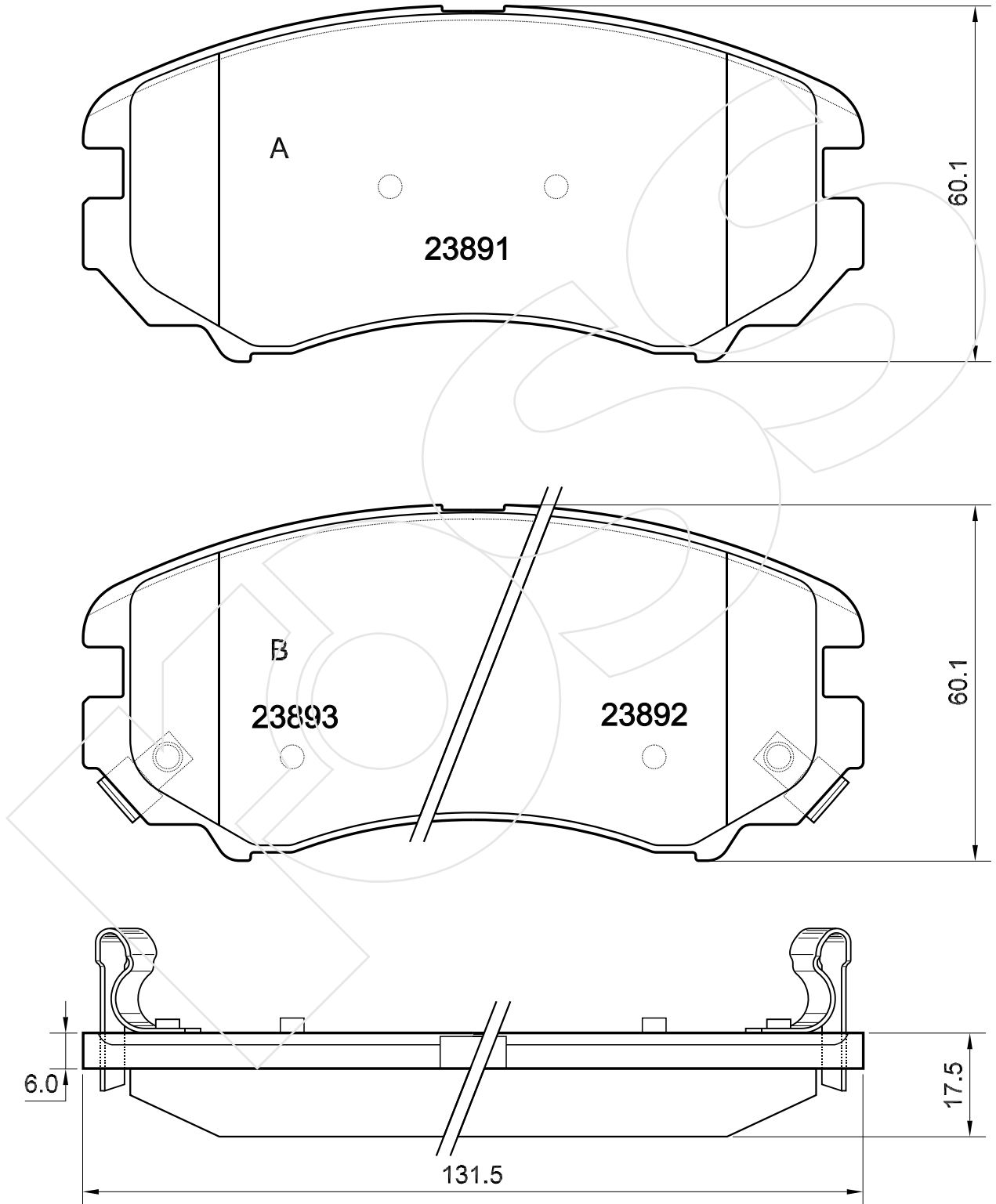
Reference in this Catalogue to other manufactures and to part numbers and other descriptions are for identification purposes only, because the above DISC BRAKE PADS are NOT ORIGINAL but with these interchangeable.

CODICE	IMPIANTO		ASSE	SCALA	APPLICAZIONI
<b>R-1145</b>	BOSCH		ANTERIORE	1:1	FIAT
CODICE COMPONENTI	N°	L(mm)	SERIE		
*	*	*	4 PEZZI		
*	*	*			
*	*	*			
*	*	*			
CODICE ACCESSORI	N°	L(mm)	NOTE		
*	*	*			
*	*	*			
*	*	*			
*	*	*			



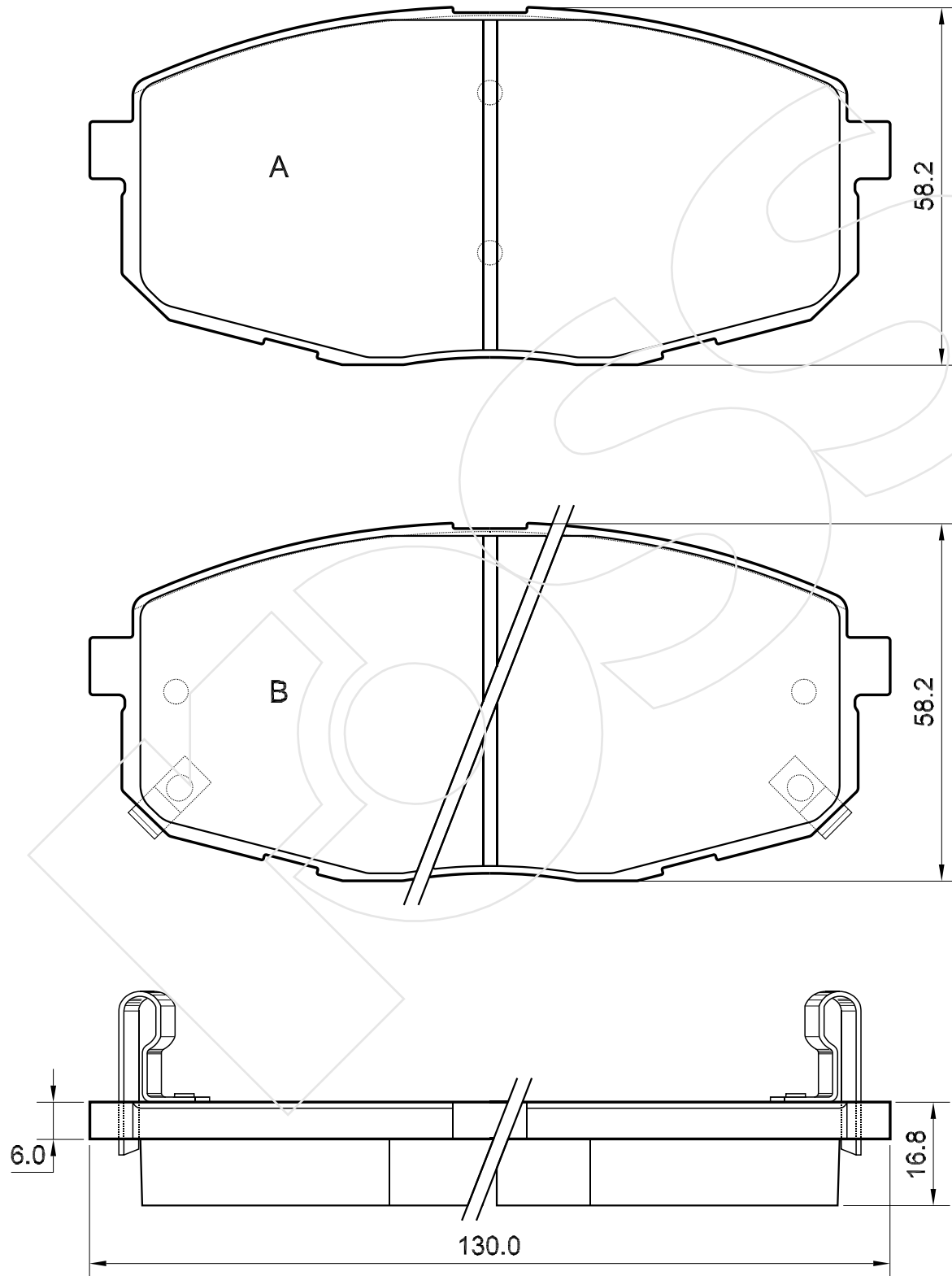
Reference in this Catalogue to other manufactures and to part numbers and other descriptions are for identification purposes only, because the above DISC BRAKE PADS are NOT ORIGINAL but with these interchangeable.

CODICE	IMPIANTO		ASSE	SCALA	APPLICAZIONI
<b>R-1146</b>	AKEBONO		ANTERIORE	1:1	HYUNDAI
CODICE COMPONENTI	N°	L(mm)	SERIE		
*	*	*	2 PEZZI TIPO A		
M0074	2	*	2 PEZZI TIPO B		
*	*	*	*		
*	*	*	*		
CODICE ACCESSORI	N°	L(mm)	NOTE		
*	*	*			
*	*	*			
*	*	*			
*	*	*			



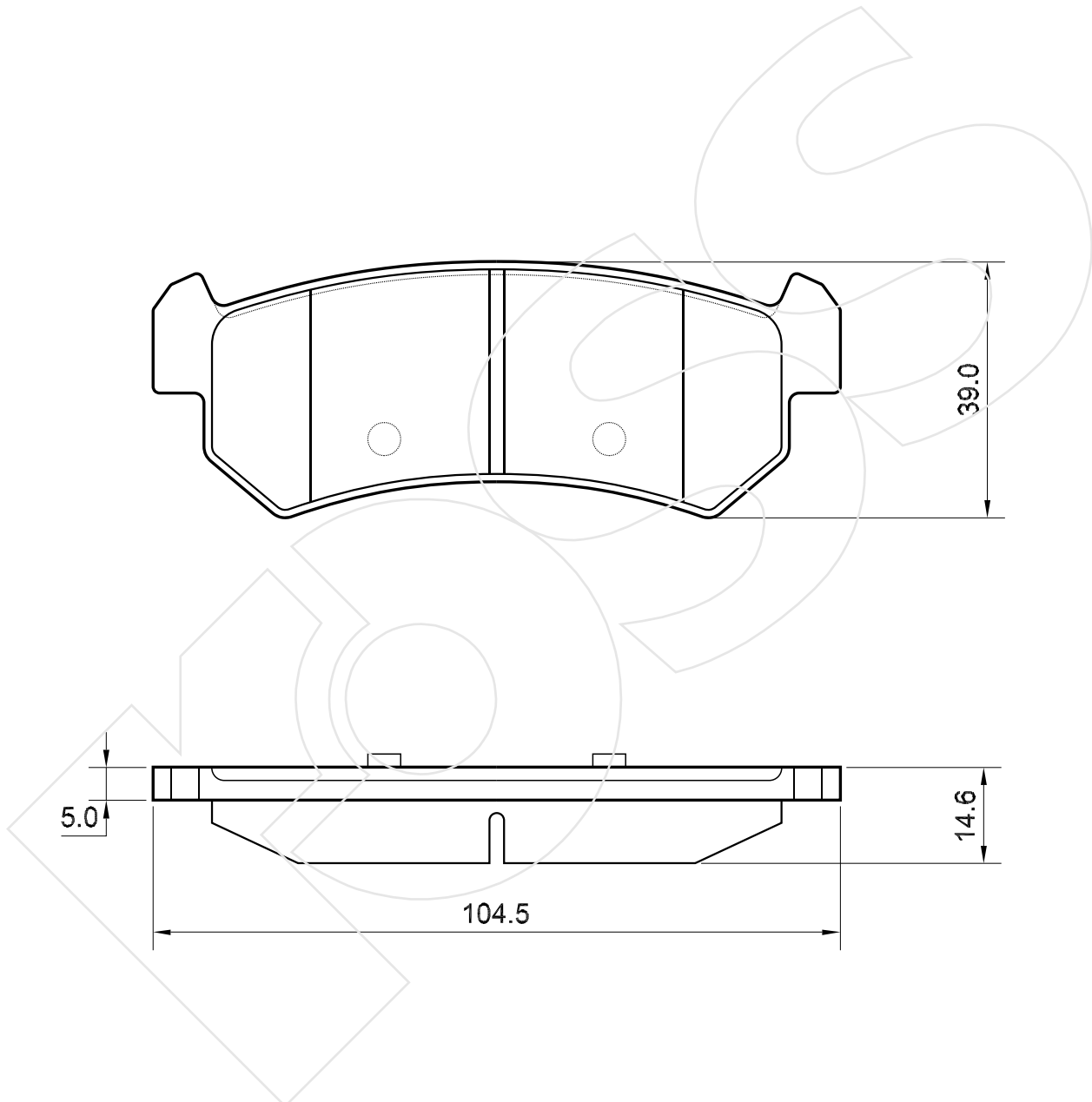
Reference in this Catalogue to other manufactures and to part numbers and other descriptions are for identification purposes only, because the above DISC BRAKE PADS are NOT ORIGINAL but with these interchangeable.

CODICE	IMPIANTO		ASSE	SCALA	APPLICAZIONI
<b>R-1147</b>	MANDO		ANTERIORE	1:1	KIA
CODICE COMPONENTI	N°	L(mm)	SERIE		
*	*	*	2 PEZZI TIPO A		
M0069	2	*	2 PEZZI TIPO B		
*	*	*	*		
*	*	*	*		
CODICE ACCESSORI	N°	L(mm)	NOTE		
*	*	*			
*	*	*			
*	*	*			
*	*	*			



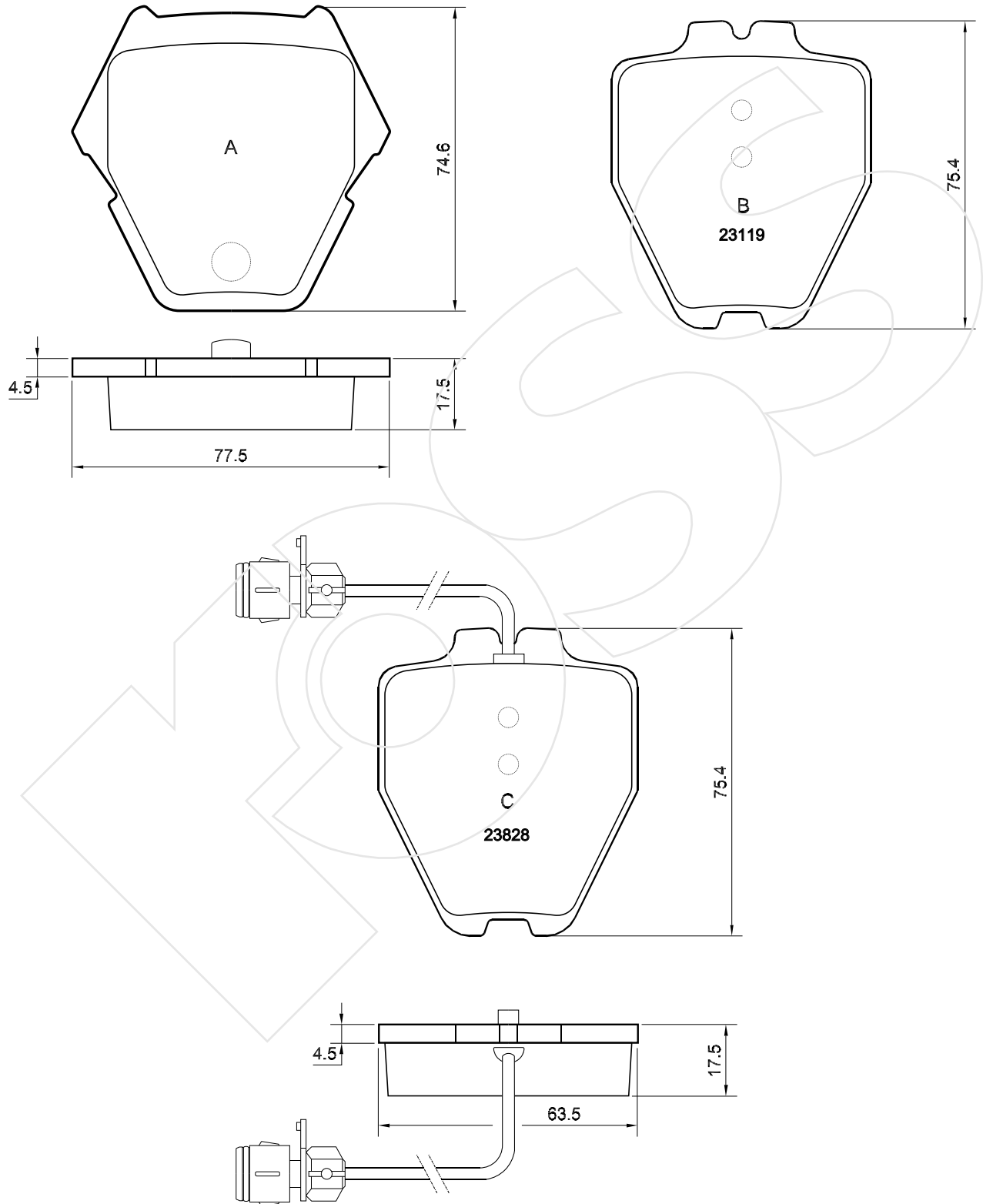
Reference in this Catalogue to other manufactures and to part numbers and other descriptions are for identification purposes only, because the above DISC BRAKE PADS are NOT ORIGINAL but with these interchangeable.

CODICE	IMPIANTO		ASSE	SCALA	APPLICAZIONI
<b>R-1148</b>	AKEBONO		POSTERIORE	1:1	DAEWOO
CODICE COMPONENTI	N°	L(mm)	SERIE		
*	*	*	4 PEZZI		
*	*	*			
*	*	*			
*	*	*			
CODICE ACCESSORI	N°	L(mm)	NOTE		
*	*	*			
*	*	*			
*	*	*			
*	*	*			



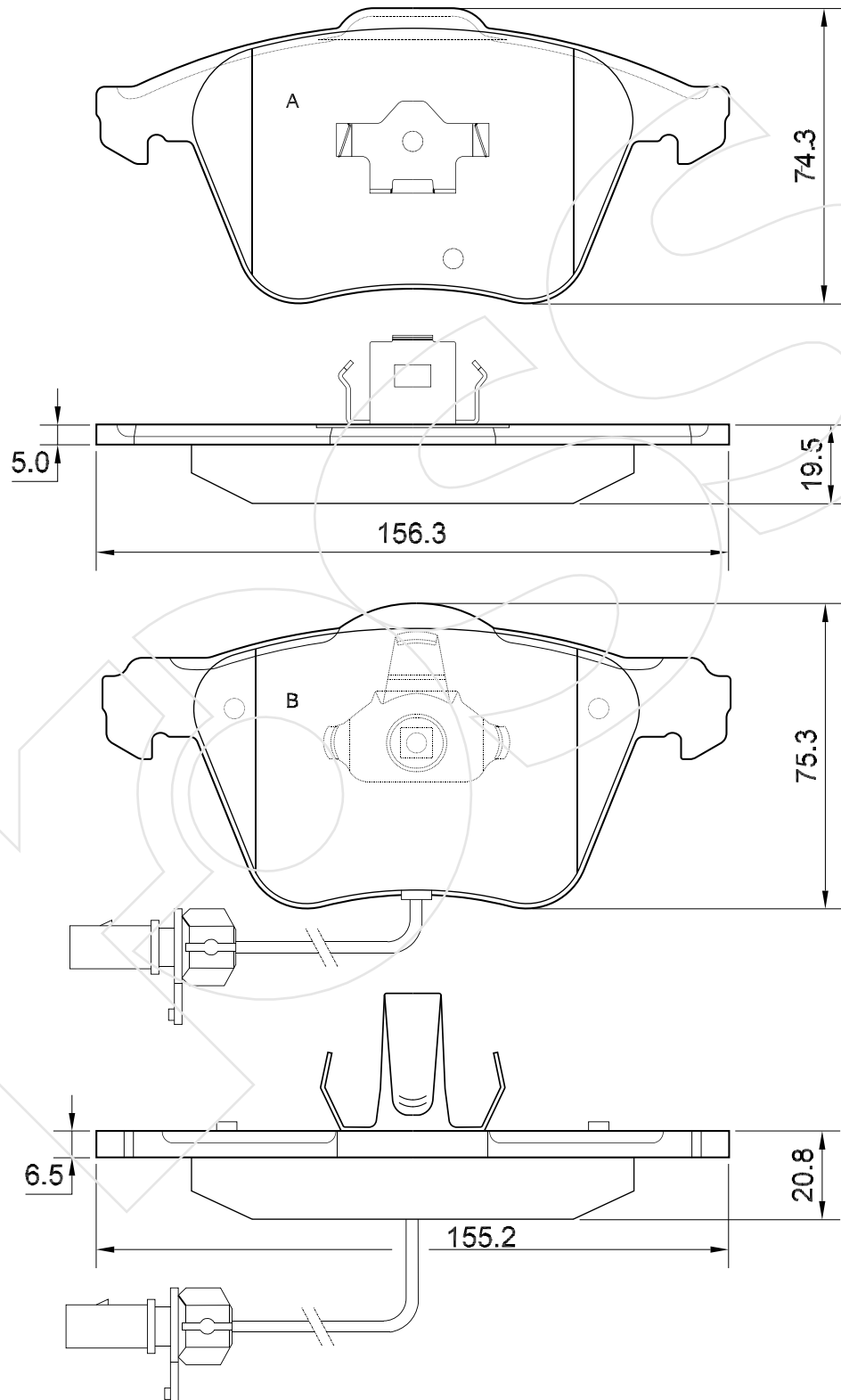
Reference in this Catalogue to other manufactures and to part numbers and other descriptions are for identification purposes only, because the above DISC BRAKE PADS are NOT ORIGINAL but with these interchangeable.

CODICE	IMPIANTO		ASSE	SCALA	APPLICAZIONI
<b>R-1149</b>	ATE		ANTERIORE	70%	AUDI
CODICE COMPONENTI	N°	L(mm)	SERIE		
*	*	*	4 PEZZI TIPO A		
*	*	*	2 PEZZI TIPO B		
F3147	2	270	2 PEZZI TIPO C		
*	*	*	*		
CODICE ACCESSORI	N°	L(mm)	NOTE		
*	*	*			
*	*	*			
*	*	*			
*	*	*			



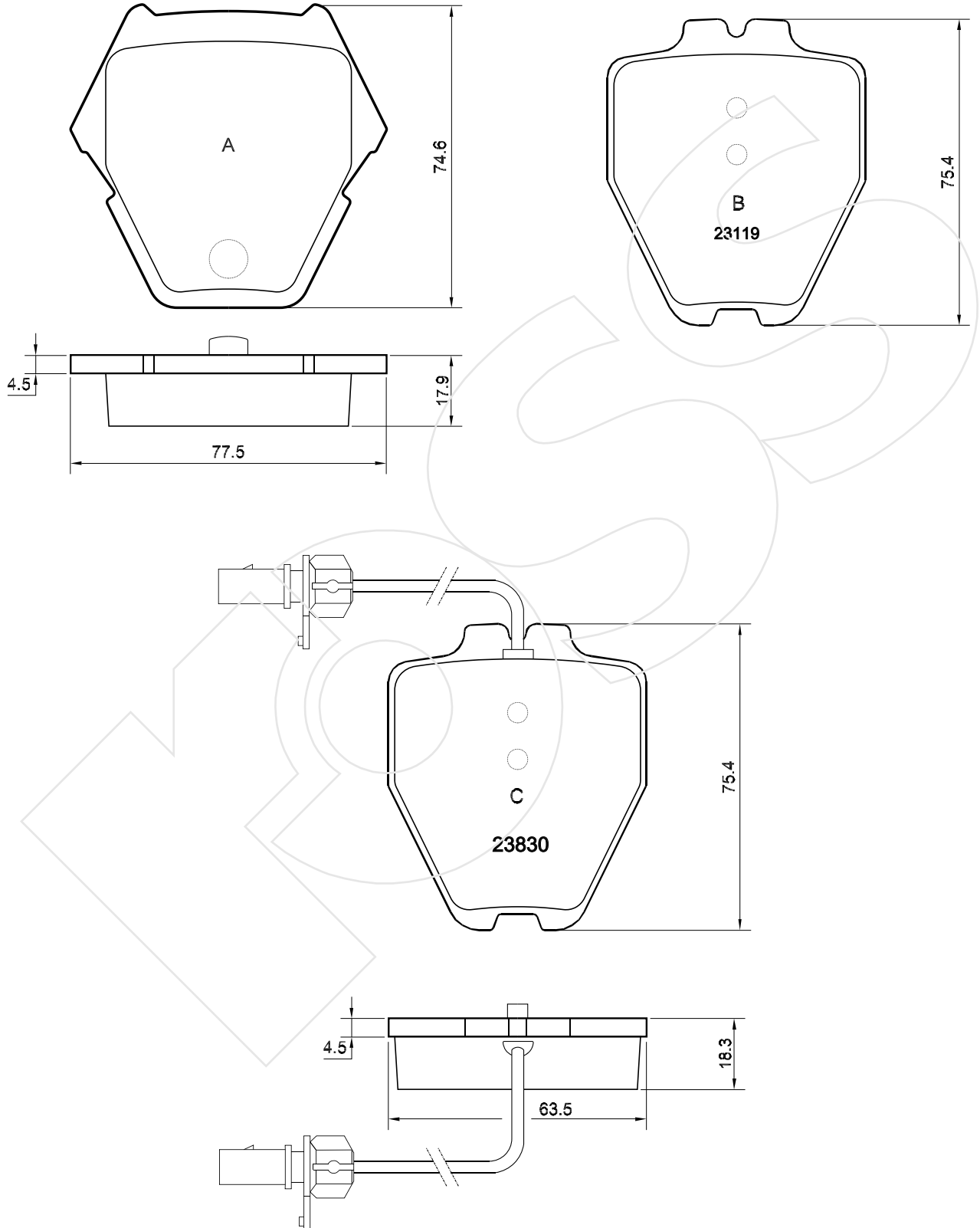
Reference in this Catalogue to other manufactures and to part numbers and other descriptions are for identification purposes only, because the above DISC BRAKE PADS are NOT ORIGINAL but with these interchangeable.

CODICE	IMPIANTO		ASSE	SCALA	APPLICAZIONI
<b>R-1150</b>	ATE		ANTERIORE	60%	AUDI
CODICE COMPONENTI	N°	L(mm)	SERIE		
M0283	2	*	2 PEZZI TIPO A		
M0144+F3133	2+2	285	2 PEZZI TIPO B		
*	*	*	*		
*	*	*	*		
CODICE ACCESSORI	N°	L(mm)	NOTE		
*	*	*			
*	*	*			
*	*	*			
*	*	*			



Reference in this Catalogue to other manufactures and to part numbers and other descriptions are for identification purposes only, because the above DISC BRAKE PADS are NOT ORIGINAL but with these interchangeable.

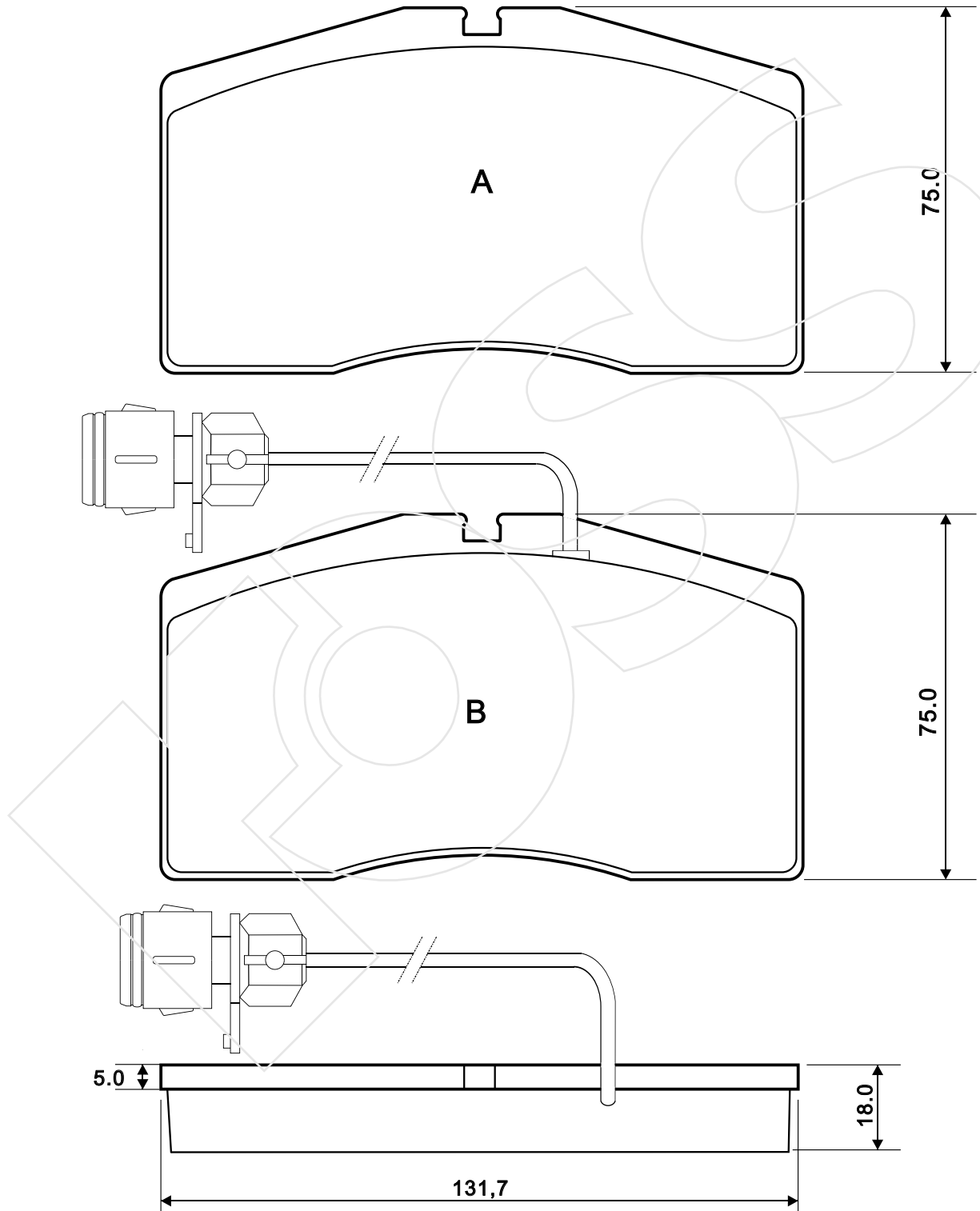
CODICE	IMPIANTO		ASSE	SCALA	APPLICAZIONI
<b>R-1151</b>	GIRLING		ANTERIORE	70%	VOLKSWAGEN
CODICE COMPONENTI	N°	L(mm)	SERIE		
*	*	*	4 PEZZI TIPO A		
*	*	*	2 PEZZI TIPO B		
F3133	2	285	2 PEZZI TIPO C		
*	*	*	*		
CODICE ACCESSORI	N°	L(mm)	NOTE		
*	*	*			
*	*	*			
*	*	*			
*	*	*			



Reference in this Catalogue to other manufactures and to part numbers and other descriptions are for identification purposes only, because the above DISC BRAKE PADS are NOT ORIGINAL but with these interchangeable.

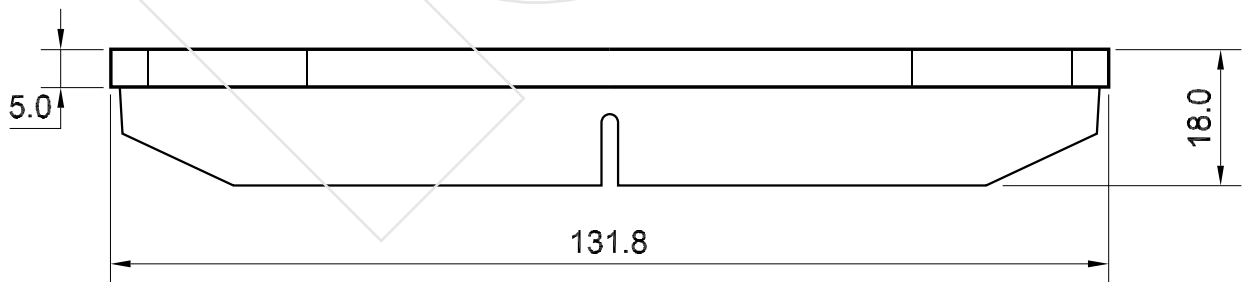
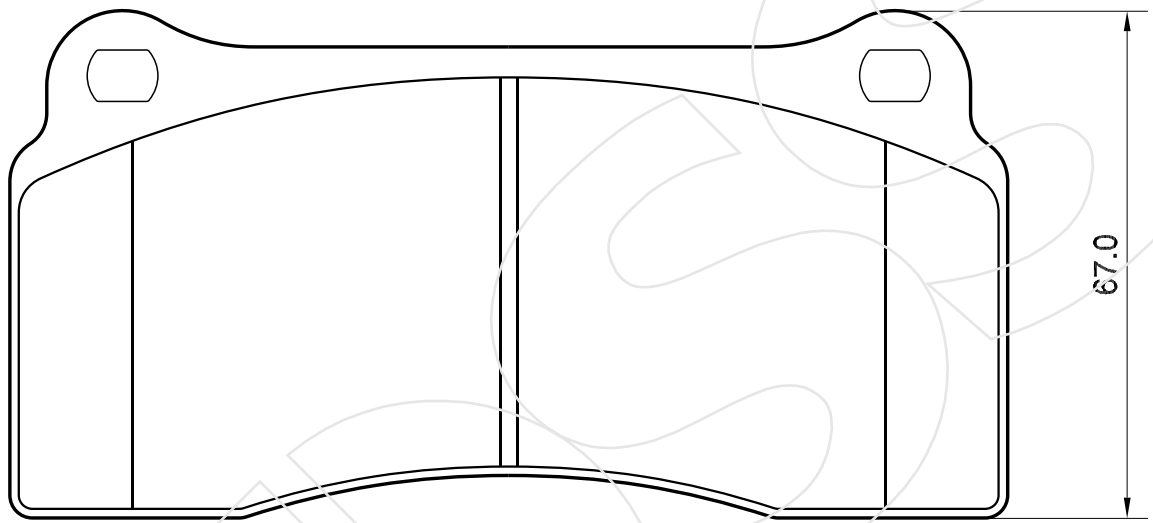


CODICE	IMPIANTO	ASSE	SCALA	APPLICAZIONI
<b>R-1152</b>	BREMO	ANTERIORE	80%	VOLKSWAGEN
CODICE COMPONENTI	N°	L(mm)	SERIE	
*	*	*	2 PEZZI TIPO A	
F3150	2	300	2 PEZZI TIPO B	
*	*	*	*	
*	*	*	*	
CODICE ACCESSORI	N°	L(mm)	NOTE	
*	*	*		
*	*	*		
*	*	*		
*	*	*		



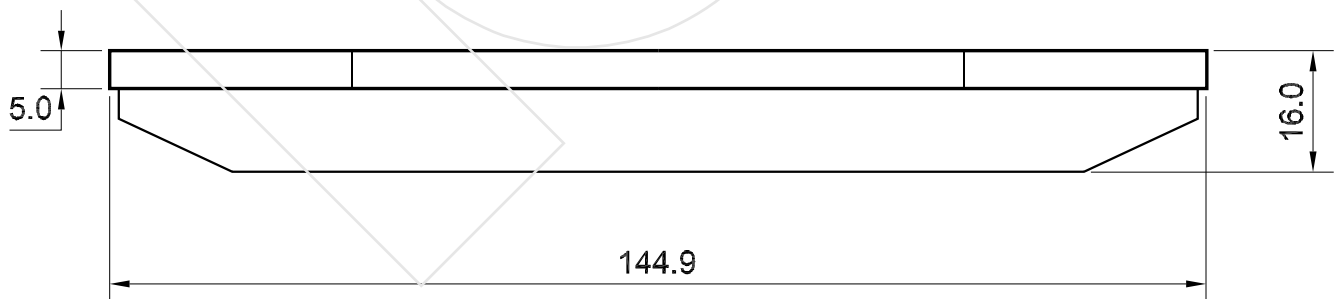
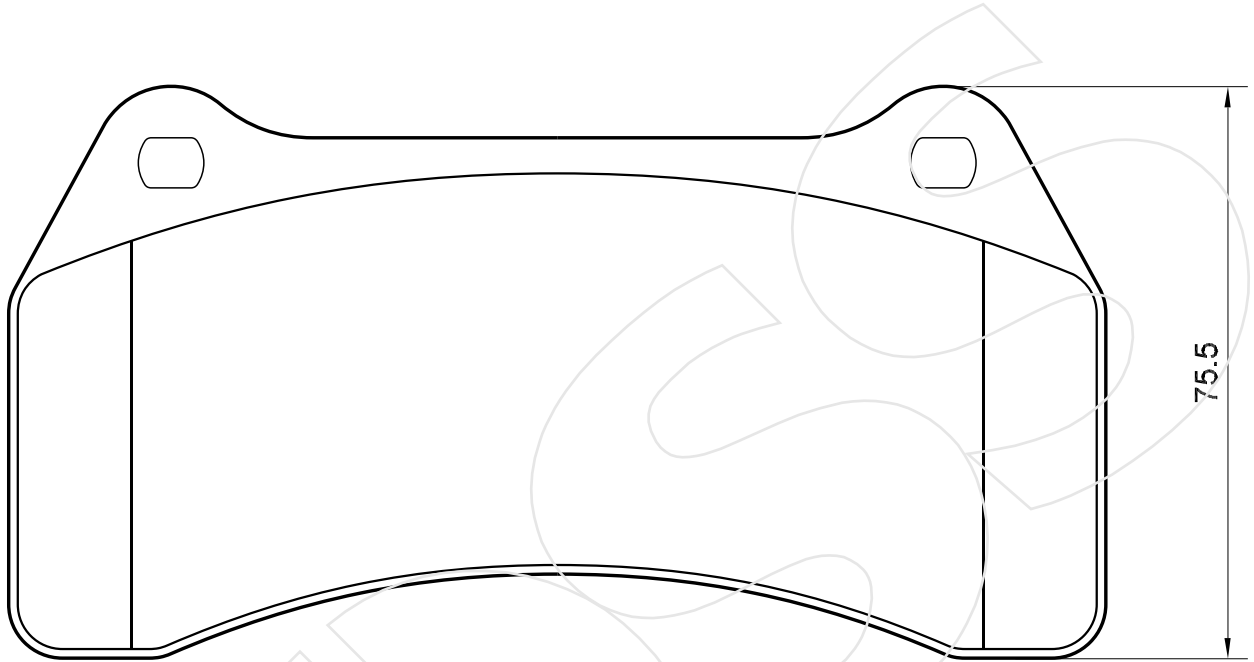
Reference in this Catalogue to other manufactures and to part numbers and other descriptions are for identification purposes only, because the above DISC BRAKE PADS are NOT ORIGINAL but with these interchangeable.

CODICE	IMPIANTO		ASSE	SCALA	APPLICAZIONI
<b>R-1153</b>	BREMBO		ANTERIORE	1:1	JAGUAR
CODICE COMPONENTI	N°	L(mm)	SERIE		
*	*	*	4 PEZZI		
*	*	*			
*	*	*			
*	*	*			
CODICE ACCESSORI	N°	L(mm)	NOTE		
*	*	*			
*	*	*			
*	*	*			
*	*	*			



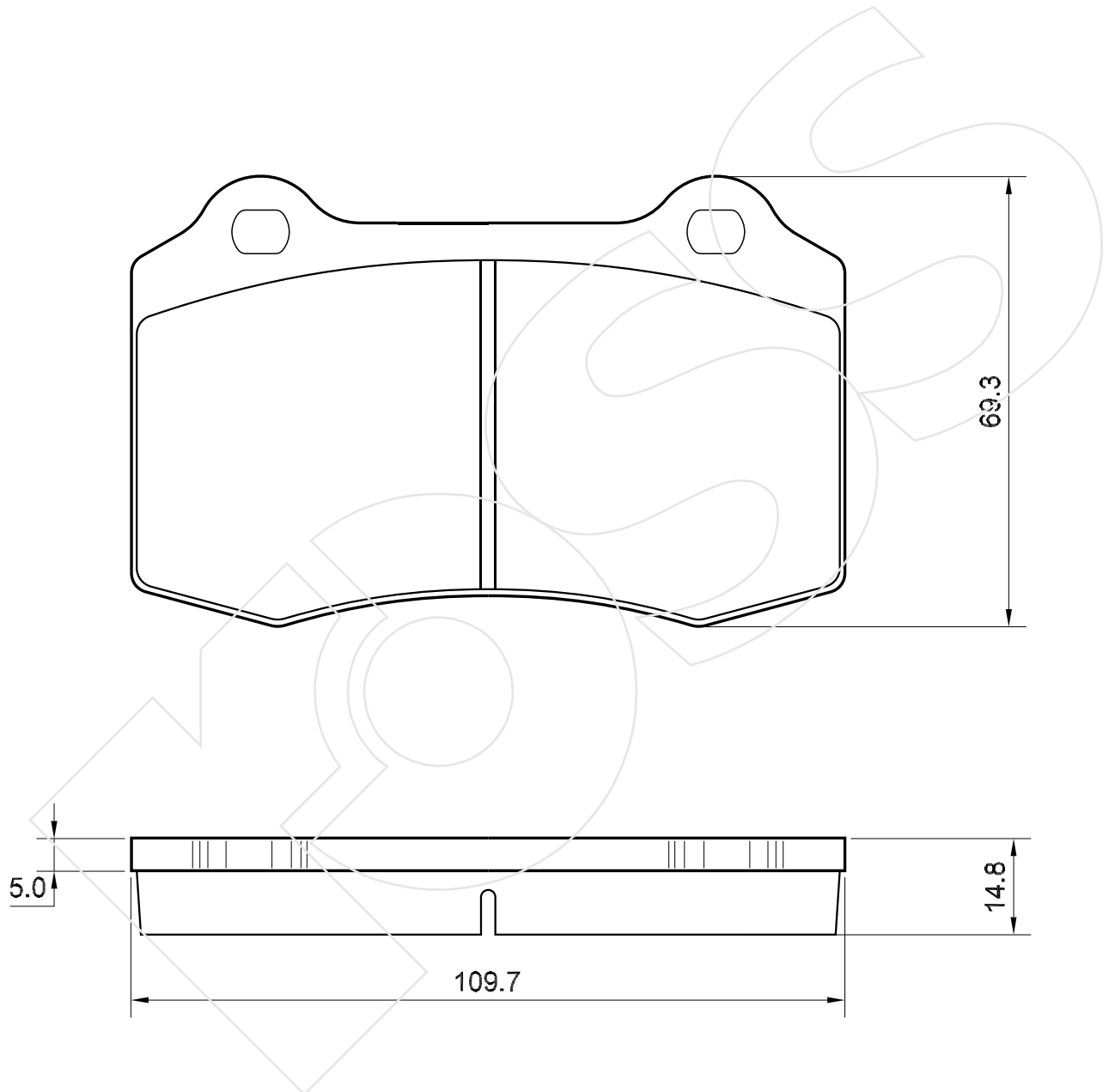
Reference in this Catalogue to other manufactures and to part numbers and other descriptions are for identification purposes only, because the above DISC BRAKE PADS are NOT ORIGINAL but with these interchangeable.

CODICE	IMPIANTO		ASSE	SCALA	APPLICAZIONI
<b>R-1154</b>	BREMBO		ANTERIORE	1:1	JAGUAR
CODICE COMPONENTI	N°	L(mm)	SERIE		
*	*	*	4 PEZZI		
*	*	*			
*	*	*			
*	*	*			
CODICE ACCESSORI	N°	L(mm)	NOTE		
*	*	*			
*	*	*			
*	*	*			
*	*	*			



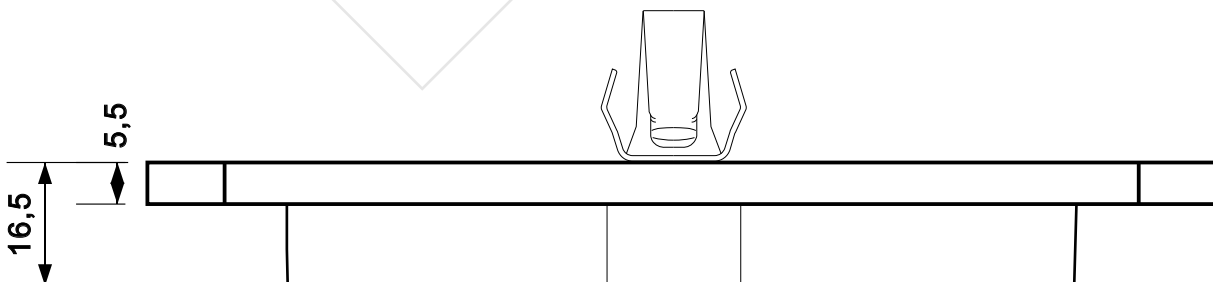
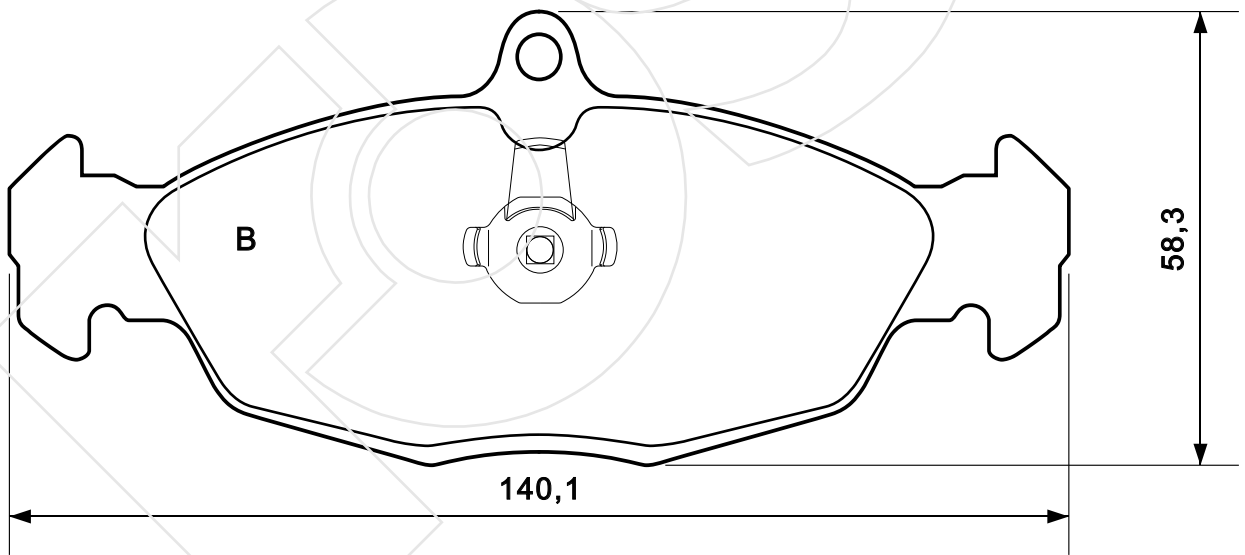
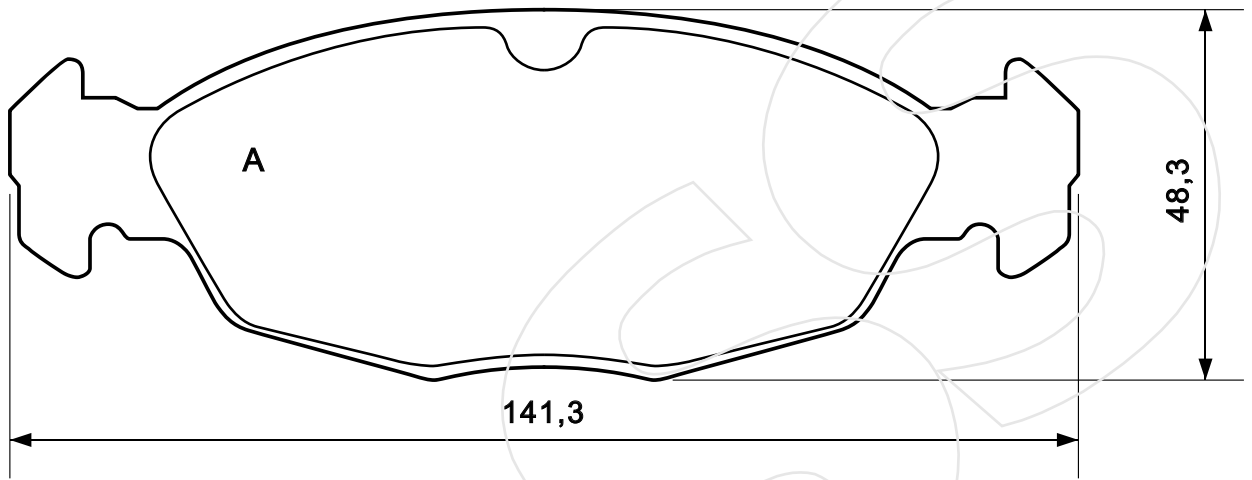
Reference in this Catalogue to other manufactures and to part numbers and other descriptions are for identification purposes only, because the above DISC BRAKE PADS are NOT ORIGINAL but with these interchangeable.

CODICE	IMPIANTO		ASSE	SCALA	APPLICAZIONI
<b>R-1155</b>	BREMBO		POSTERIORE	1:1	JAGUAR
CODICE COMPONENTI	N°	L(mm)	SERIE		
*	*	*	4 PEZZI		
*	*	*			
*	*	*			
*	*	*			
CODICE ACCESSORI	N°	L(mm)	NOTE		
*	*	*			
*	*	*			
*	*	*			
*	*	*			



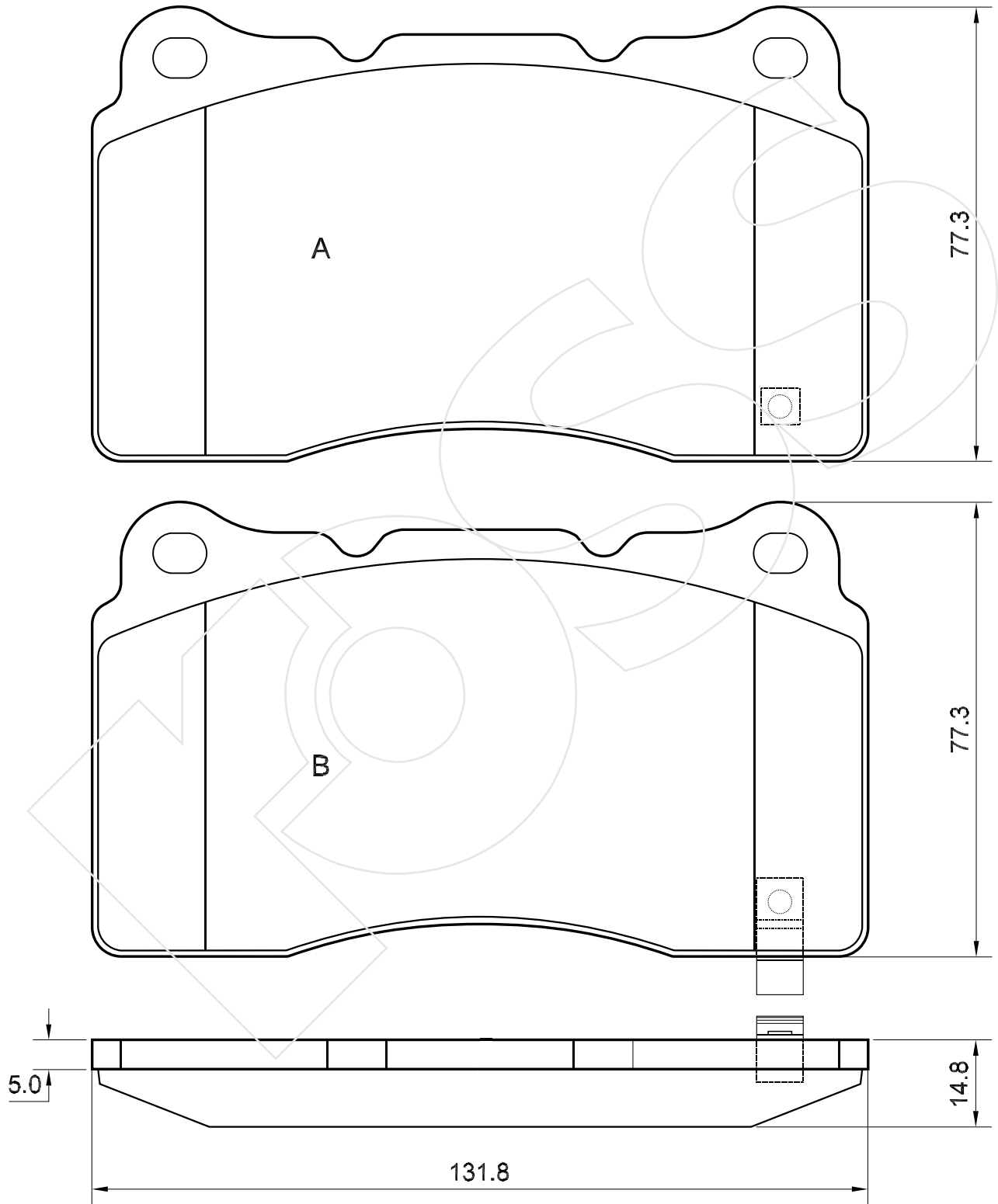
Reference in this Catalogue to other manufactures and to part numbers and other descriptions are for identification purposes only, because the above DISC BRAKE PADS are NOT ORIGINAL but with these interchangeable.

CODICE	IMPIANTO		ASSE	SCALA	APPLICAZIONI
<b>R-1156</b>	ATE		POSTERIORE	1:1	JAGUAR
CODICE COMPONENTI	N°	L(mm)	SERIE		SUBARU
*	*	*	2 PEZZI TIPO A		
M0145	2	*	2 PEZZI TIPO B		
*	*	*			
*	*	*			
CODICE ACCESSORI	N°	L(mm)	NOTE		
*	*	*			
*	*	*			
*	*	*			
*	*	*			

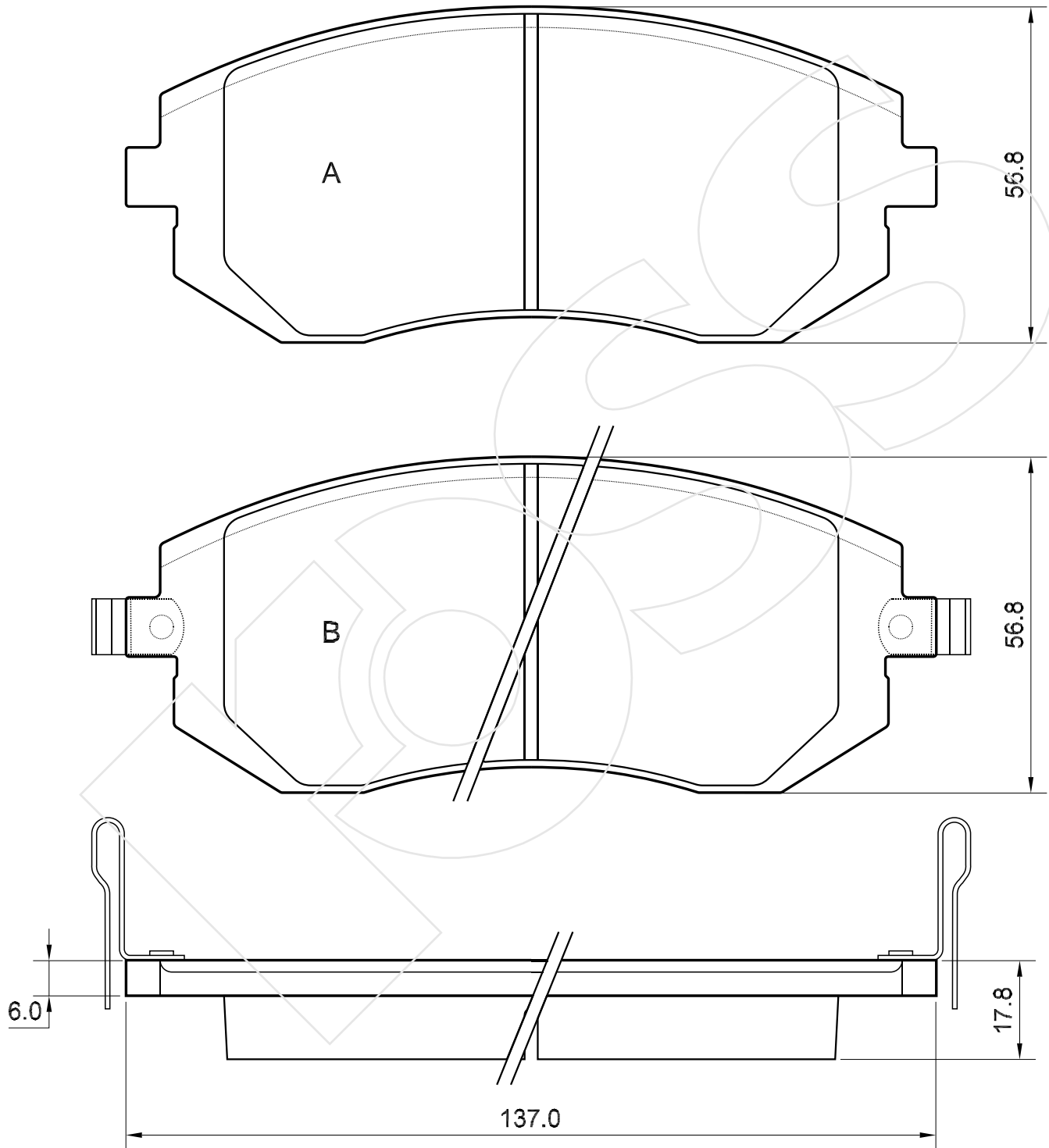


Reference in this Catalogue to other manufactures and to part numbers and other descriptions are for identification purposes only, because the above DISC BRAKE PADS are NOT ORIGINAL but with these interchangeable.

CODICE	IMPIANTO		ASSE	SCALA	APPLICAZIONI
<b>R-1157</b>	BREMBO		ANTERIORE	1:1	SUBARU
CODICE COMPONENTI	N°	L(mm)	SERIE		
*	*	*	2 PEZZI TIPO A		
M0300	2	*	2 PEZZI TIPO B		
*	*	*	*		
*	*	*	*		
CODICE ACCESSORI	N°	L(mm)	NOTE		
*	*	*			
*	*	*			
*	*	*			
*	*	*			

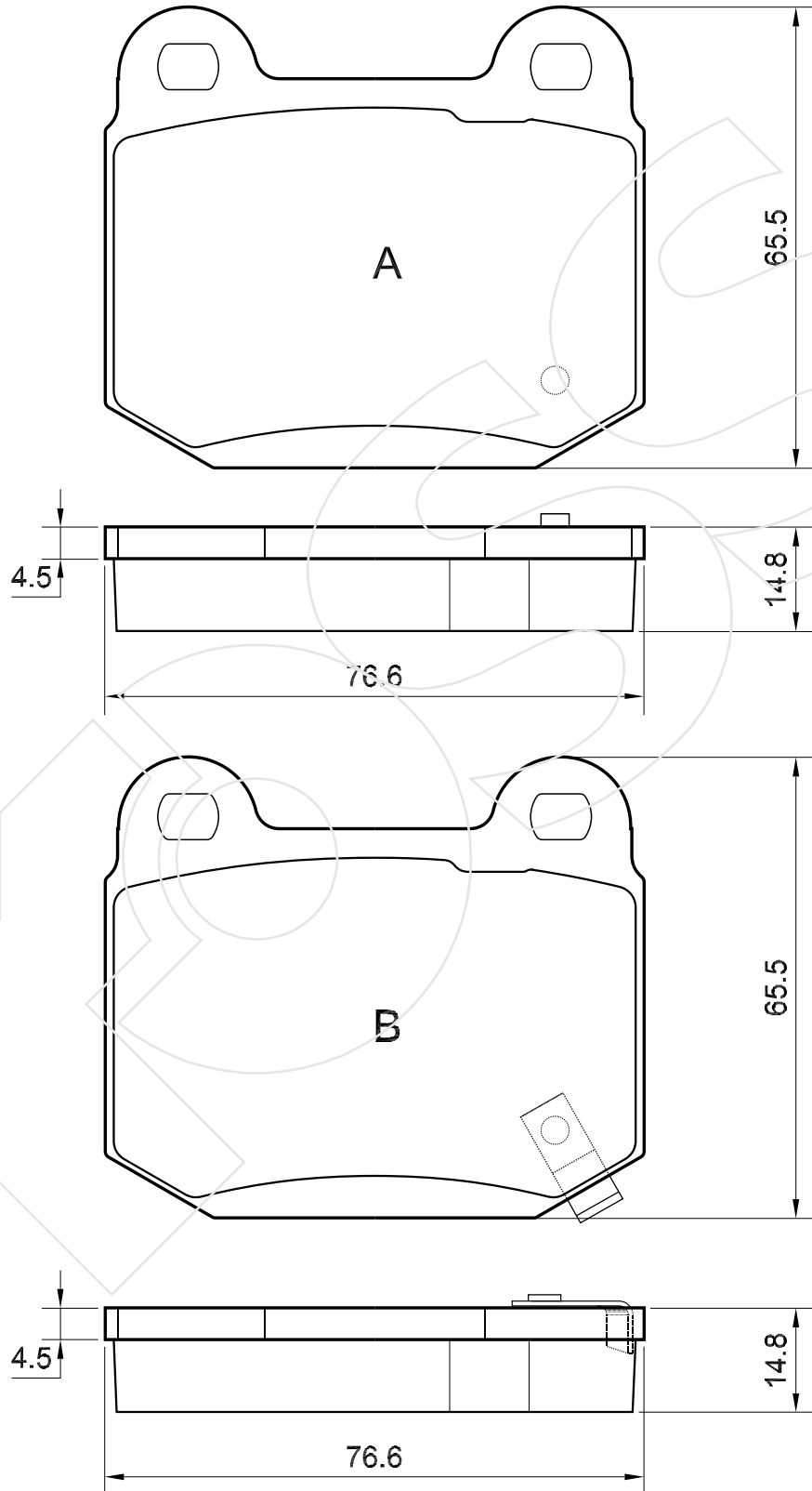


CODICE	IMPIANTO		ASSE	SCALA	APPLICAZIONI
<b>R-1158</b>	AKEBONO		ANTERIORE	1:1	SUBARU
CODICE COMPONENTI	N°	L(mm)	SERIE		
*	*	*	2 PEZZI TIPO A		
M0036	2	*	2 PEZZI TIPO B		
*	*	*	*		
*	*	*	*		
CODICE ACCESSORI	N°	L(mm)	NOTE		
*	*	*			
*	*	*			
*	*	*			
*	*	*			



Reference in this Catalogue to other manufactures and to part numbers and other descriptions are for identification purposes only, because the above DISC BRAKE PADS are NOT ORIGINAL but with these interchangeable.

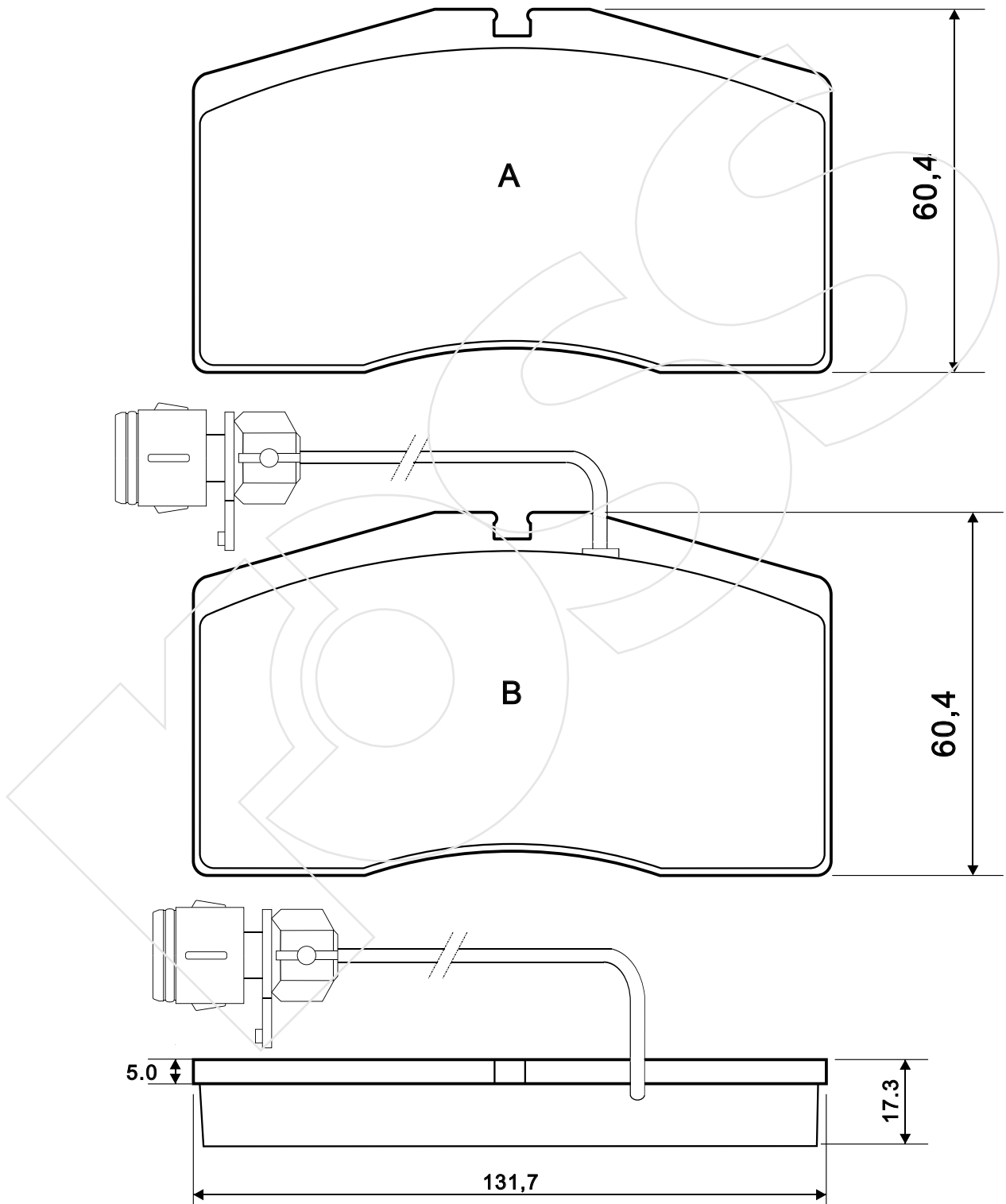
CODICE	IMPIANTO		ASSE	SCALA	APPLICAZIONI
<b>R-1159</b>	ATE		POSTERIORE	1:1	SUBARU
CODICE COMPONENTI	N°	L(mm)	SERIE		NISSAN
*	*	*	2 PEZZI TIPO A		
M0300	2	*	2 PEZZI TIPO B		
*	*	*	*		
*	*	*	*		
CODICE ACCESSORI	N°	L(mm)	NOTE		
*	*	*			
*	*	*			
*	*	*			
*	*	*			



Reference in this Catalogue to other manufactures and to part numbers and other descriptions are for identification purposes only, because the above DISC BRAKE PADS are NOT ORIGINAL but with these interchangeable.

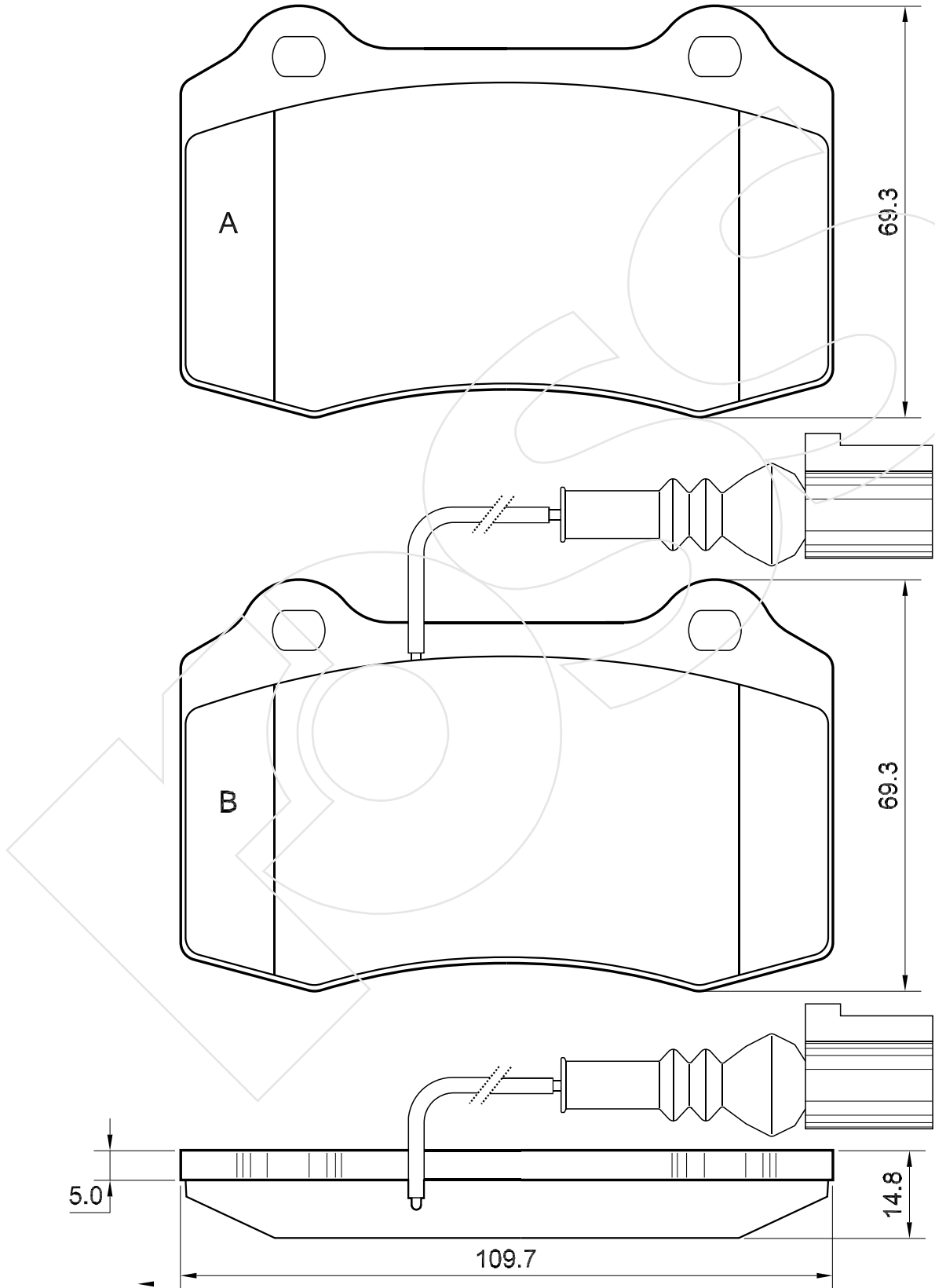


CODICE	IMPIANTO	ASSE	SCALA	APPLICAZIONI
<b>R-1160</b>	BREMBO	ANTERIORE	1:1	AUDI
CODICE COMPONENTI	N°	L(mm)	SERIE	
*	*	*	2 PEZZI TIPO A	
F3152	2	255	2 PEZZI TIPO B	
*	*	*	*	
*	*	*	*	
CODICE ACCESSORI	N°	L(mm)	NOTE	
*	*	*		
*	*	*		
*	*	*		
*	*	*		



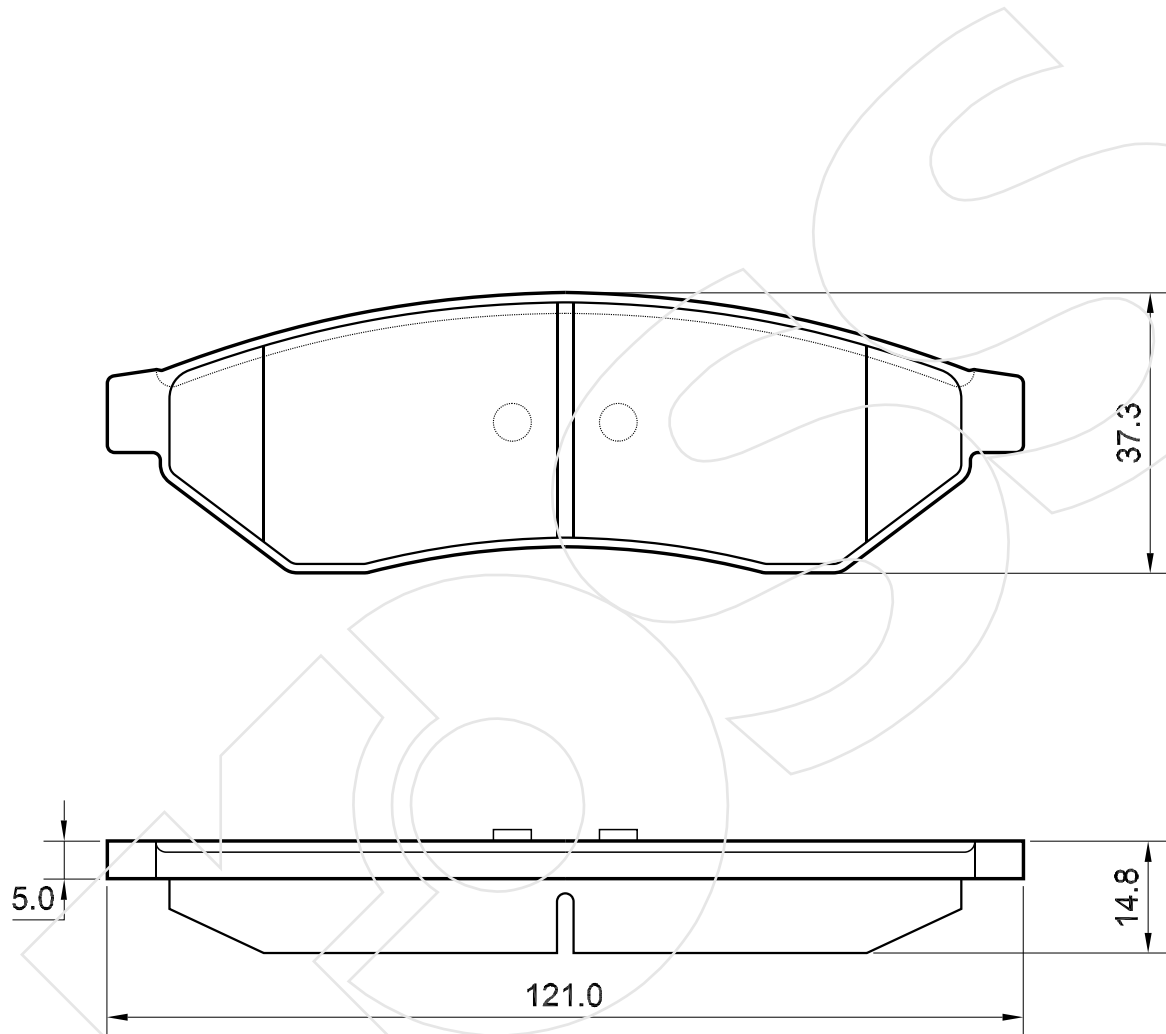
Reference in this Catalogue to other manufactures and to part numbers and other descriptions are for identification purposes only, because the above DISC BRAKE PADS are NOT ORIGINAL but with these interchangeable.

CODICE	IMPIANTO		ASSE	SCALA	APPLICAZIONI
<b>R-1161</b>	BREMBO		ANTERIORE	1:1	SEAT
CODICE COMPONENTI	N°	L(mm)	SERIE		
*	*	*	3 PEZZI TIPO A		
F3153	1	330	1 PEZZO TIPO B		
*	*	*	*		
*	*	*	*		
CODICE ACCESSORI	N°	L(mm)	NOTE		
*	*	*			
*	*	*			
*	*	*			
*	*	*			



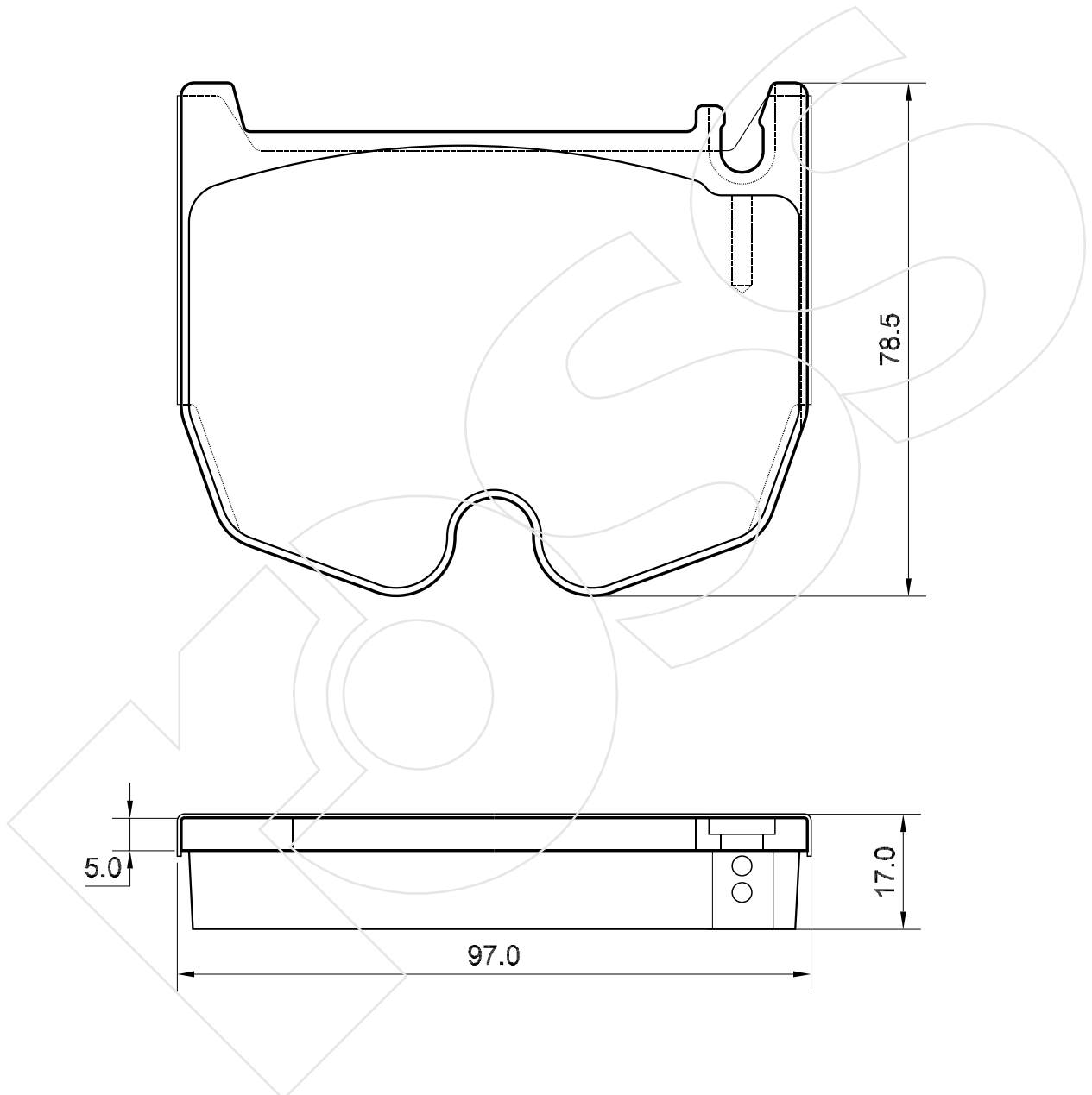
Reference in this Catalogue to other manufactures and to part numbers and other descriptions are for identification purposes only, because the above DISC BRAKE PADS are NOT ORIGINAL but with these interchangeable.

CODICE	IMPIANTO		ASSE	SCALA	APPLICAZIONI
<b>R-1162</b>	AKEBONO		POSTERIORE	1:1	DAEWOO
CODICE COMPONENTI	N°	L(mm)	SERIE		
*	*	*	4 PEZZI		
*	*	*			
*	*	*			
*	*	*			
CODICE ACCESSORI	N°	L(mm)	NOTE		
*	*	*			
*	*	*			
*	*	*			
*	*	*			



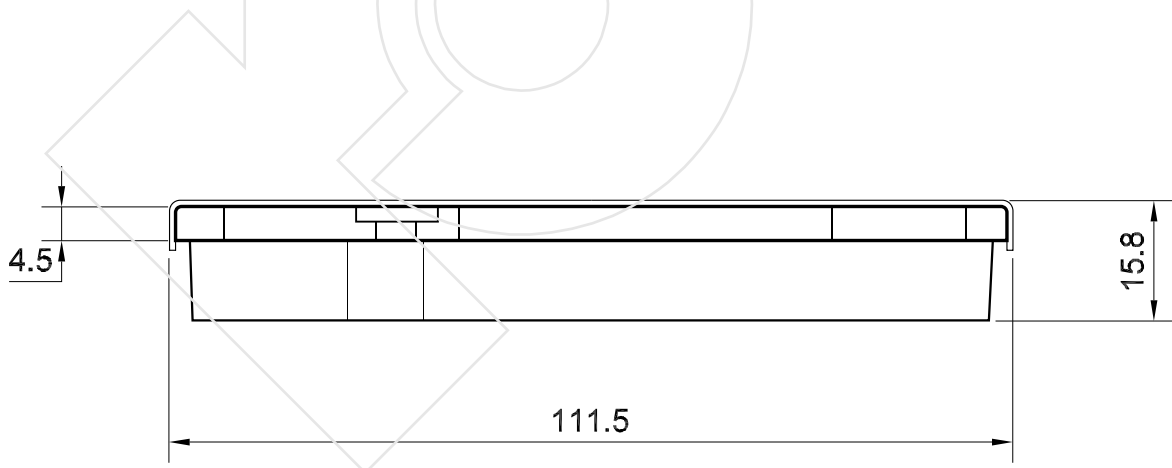
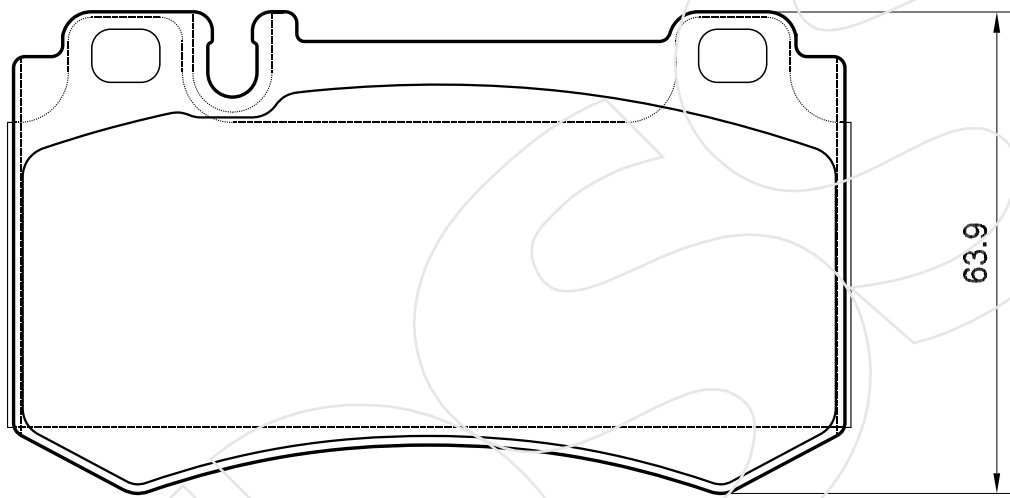
Reference in this Catalogue to other manufactures and to part numbers and other descriptions are for identification purposes only, because the above DISC BRAKE PADS are NOT ORIGINAL but with these interchangeable.

CODICE	IMPIANTO		ASSE	SCALA	APPLICAZIONI
<b>R-1163</b>	BREMBO		ANTERIORE	1:1	MERCEDES
CODICE COMPONENTI	N°	L(mm)	SERIE		
A022	8	*	8 PEZZI		
*	*	*	*		
*	*	*	*		
*	*	*	*		
CODICE ACCESSORI	N°	L(mm)	NOTE		
*	*	*			
*	*	*			
*	*	*			
*	*	*			



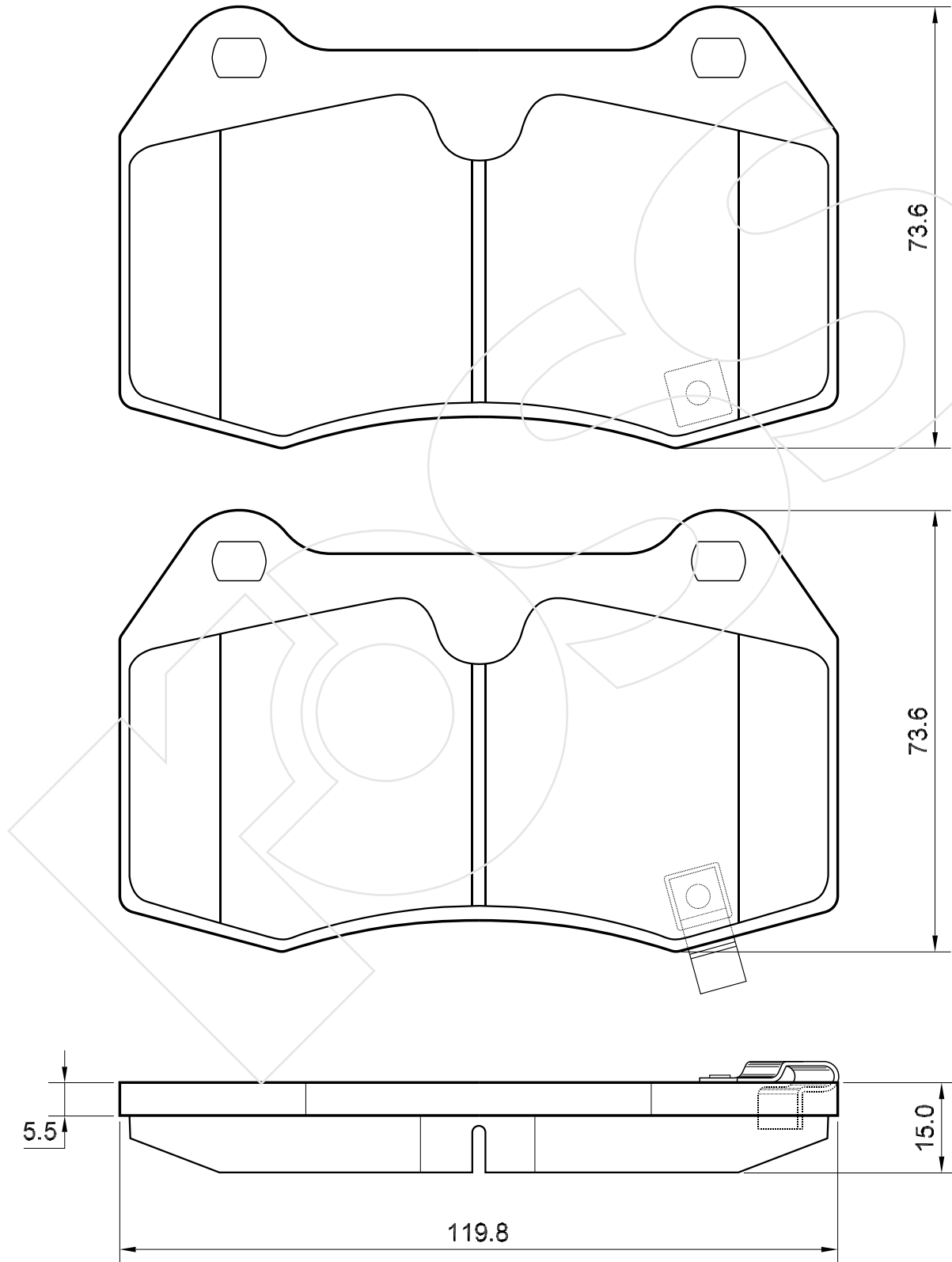
Reference in this Catalogue to other manufactures and to part numbers and other descriptions are for identification purposes only, because the above DISC BRAKE PADS are NOT ORIGINAL but with these interchangeable.

CODICE	IMPIANTO		ASSE	SCALA	APPLICAZIONI
<b>R-1164</b>	BREMBO		POSTERIORE	1:1	MERCEDES
CODICE COMPONENTI	N°	L(mm)	SERIE		
A024	4	*	4 PEZZI		
*	*	*	*		
*	*	*	*		
*	*	*	*		
CODICE ACCESSORI	N°	L(mm)	NOTE		
*	*	*			
*	*	*			
*	*	*			
*	*	*			



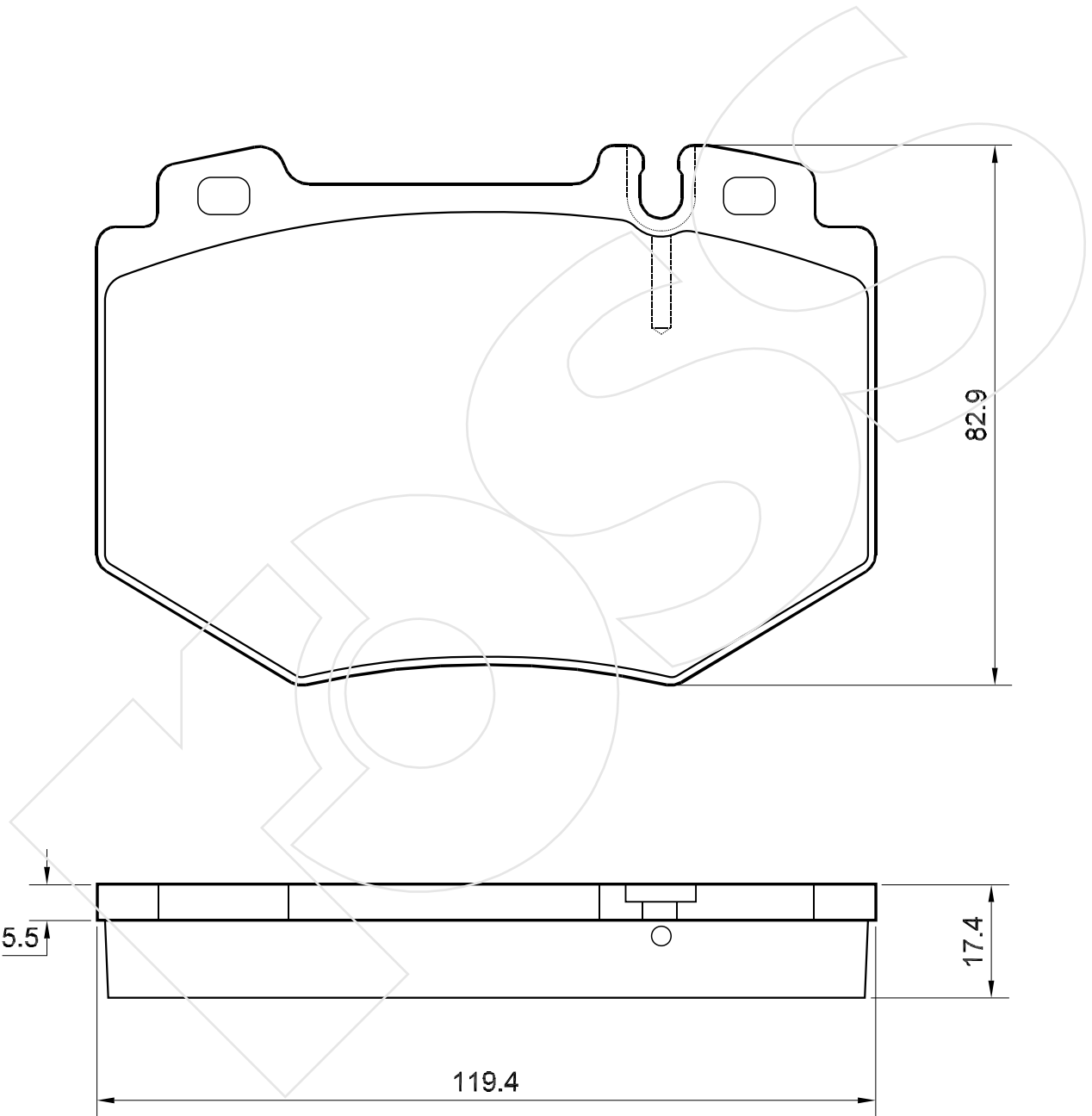
Reference in this Catalogue to other manufactures and to part numbers and other descriptions are for identification purposes only, because the above DISC BRAKE PADS are NOT ORIGINAL but with these interchangeable.

CODICE	IMPIANTO		ASSE	SCALA	APPLICAZIONI
<b>R-1165</b>	BREMBO		ANTERIORE	1:1	NISSAN
CODICE COMPONENTI	N°	L(mm)	SERIE		
*	*	*	2 PEZZI TIPO A		
M0300	2	*	2 PEZZI TIPO B		
*	*	*	*		
*	*	*	*		
CODICE ACCESSORI	N°	L(mm)	NOTE		
*	*	*			
*	*	*			
*	*	*			
*	*	*			



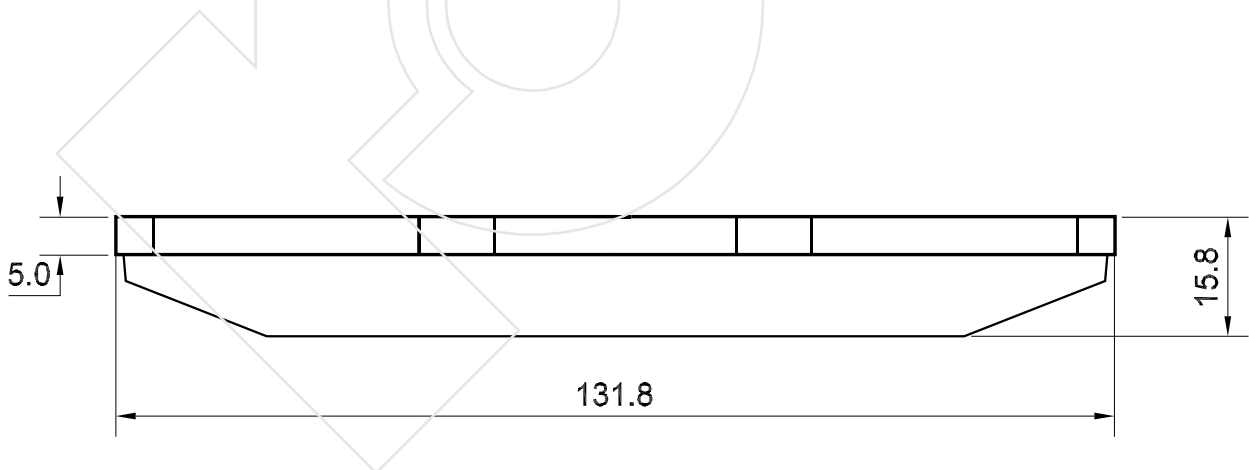
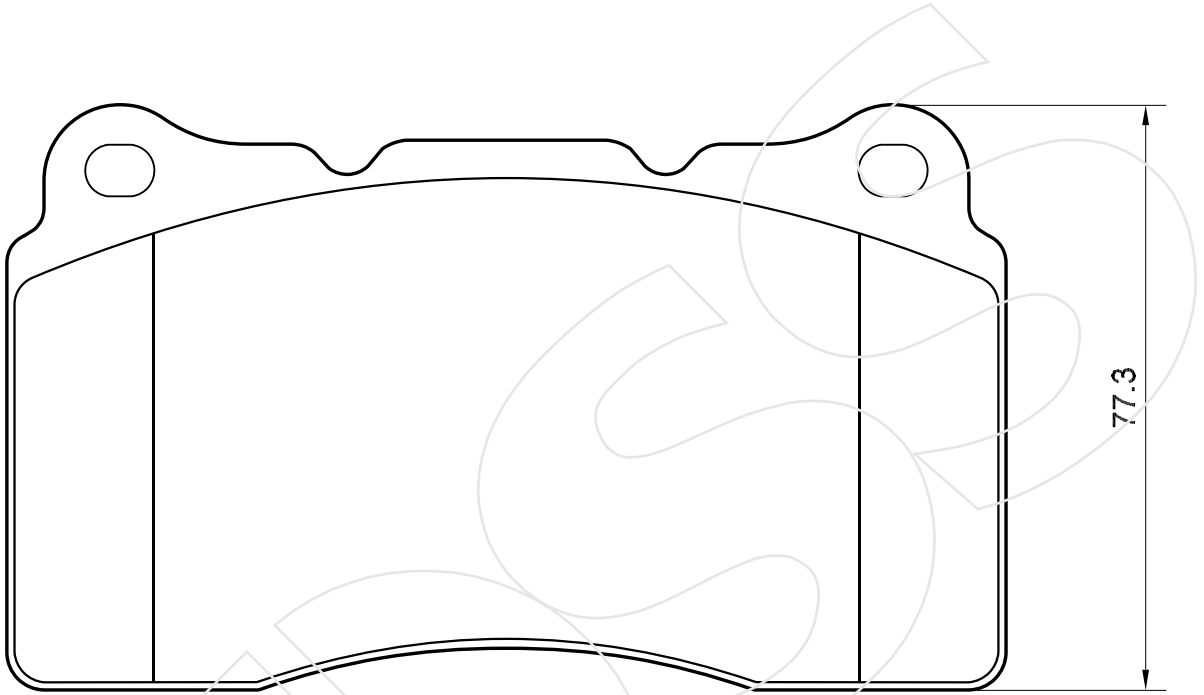
Reference in this Catalogue to other manufactures and to part numbers and other descriptions are for identification purposes only, because the above DISC BRAKE PADS are NOT ORIGINAL but with these interchangeable.

CODICE	IMPIANTO		ASSE	SCALA	APPLICAZIONI
<b>R-1166</b>	BREMBO		ANTERIORE	1:1	MERCEDES
CODICE COMPONENTI	N°	L(mm)	SERIE		
*	*	*	4 PEZZI		
*	*	*			
*	*	*			
*	*	*			
CODICE ACCESSORI	N°	L(mm)	NOTE		
*	*	*			
*	*	*			
*	*	*			
*	*	*			



Reference in this Catalogue to other manufactures and to part numbers and other descriptions are for identification purposes only, because the above DISC BRAKE PADS are NOT ORIGINAL but with these interchangeable.

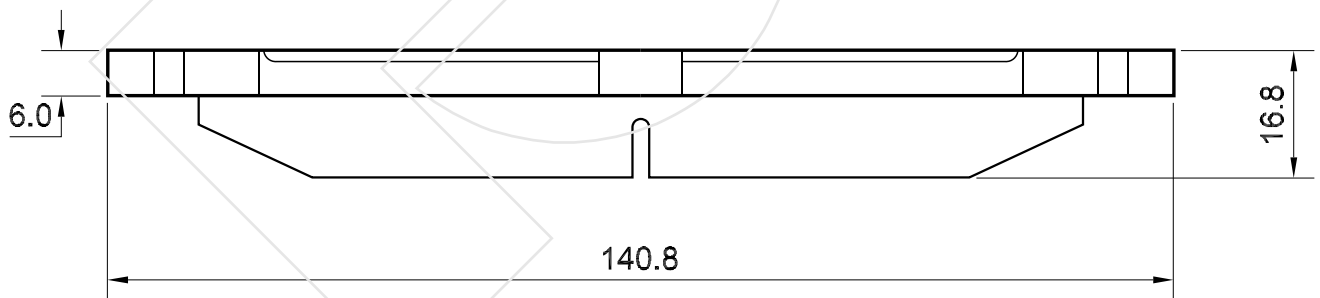
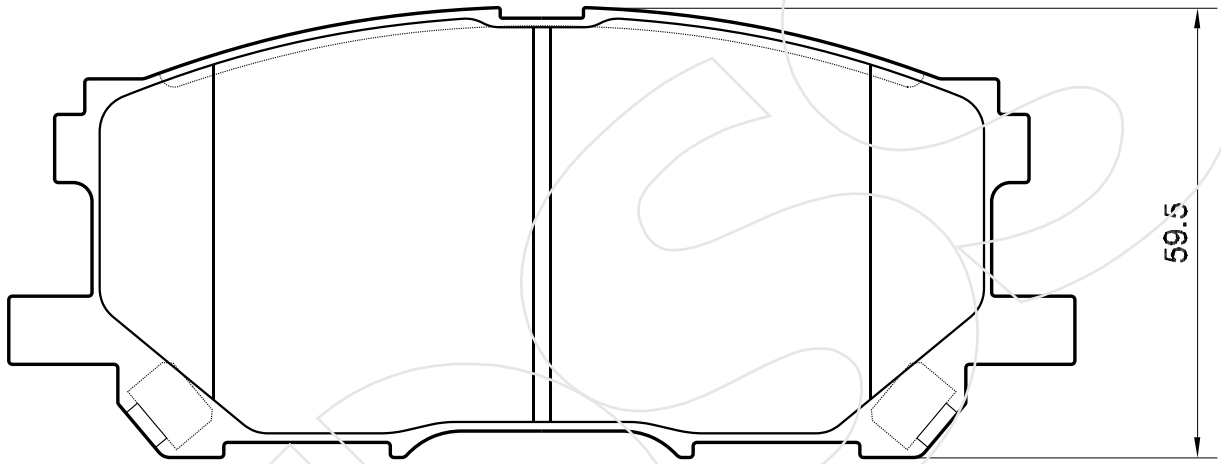
CODICE	IMPIANTO		ASSE	SCALA	APPLICAZIONI
<b>R-1167</b>	BREMBO		ANTERIORE	1:1	VOLVO
CODICE COMPONENTI	N°	L(mm)	SERIE		
*	*	*	4 PEZZI		
*	*	*			
*	*	*			
*	*	*			
CODICE ACCESSORI	N°	L(mm)	NOTE		
*	*	*			
*	*	*			
*	*	*			
*	*	*			



Reference in this Catalogue to other manufactures and to part numbers and other descriptions are for identification purposes only, because the above DISC BRAKE PADS are NOT ORIGINAL but with these interchangeable.

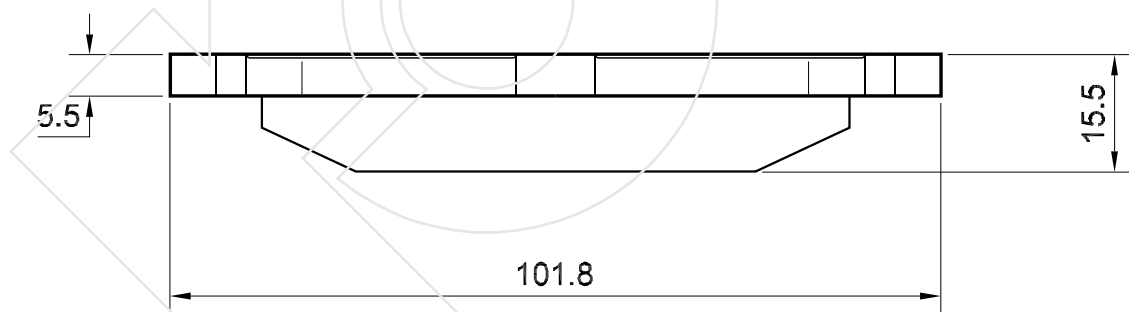
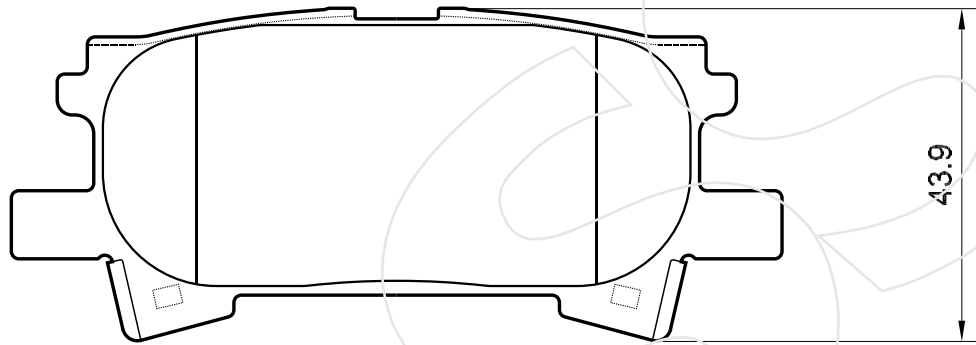


CODICE	IMPIANTO		ASSE	SCALA	APPLICAZIONI
<b>R-1168</b>	SUMITOMO		ANTERIORE	1:1	LEXUS
CODICE COMPONENTI	N°	L(mm)	SERIE		
*	*	*	4 PEZZI		
*	*	*			
*	*	*			
*	*	*			
CODICE ACCESSORI	N°	L(mm)	NOTE		
*	*	*			
*	*	*			
*	*	*			
*	*	*			



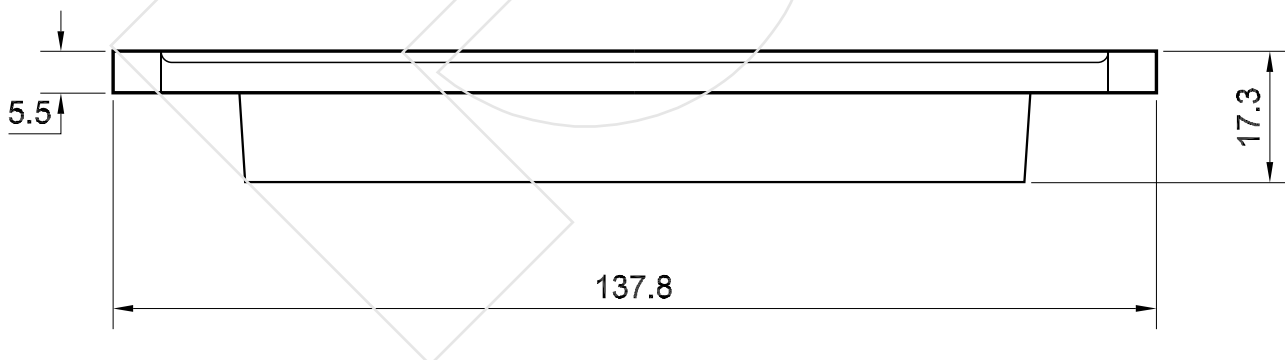
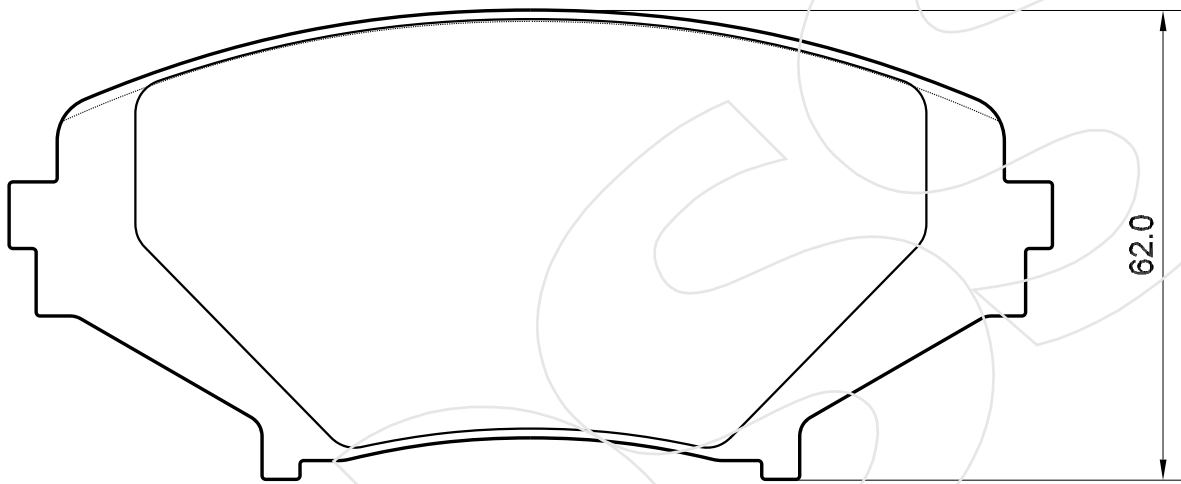
Reference in this Catalogue to other manufactures and to part numbers and other descriptions are for identification purposes only, because the above DISC BRAKE PADS are NOT ORIGINAL but with these interchangeable.

CODICE	IMPIANTO		ASSE	SCALA	APPLICAZIONI
<b>R-1169</b>	SUMITOMO		POSTERIORE	1:1	LEXUS RX 300 4x4 V6 24v 3.0 05/03-
CODICE COMPONENTI	N°	L(mm)	SERIE		
*	*	*	4 PEZZI		
*	*	*			
*	*	*			
*	*	*			
CODICE ACCESSORI	N°	L(mm)	NOTE		
*	*	*			
*	*	*			
*	*	*			
*	*	*			



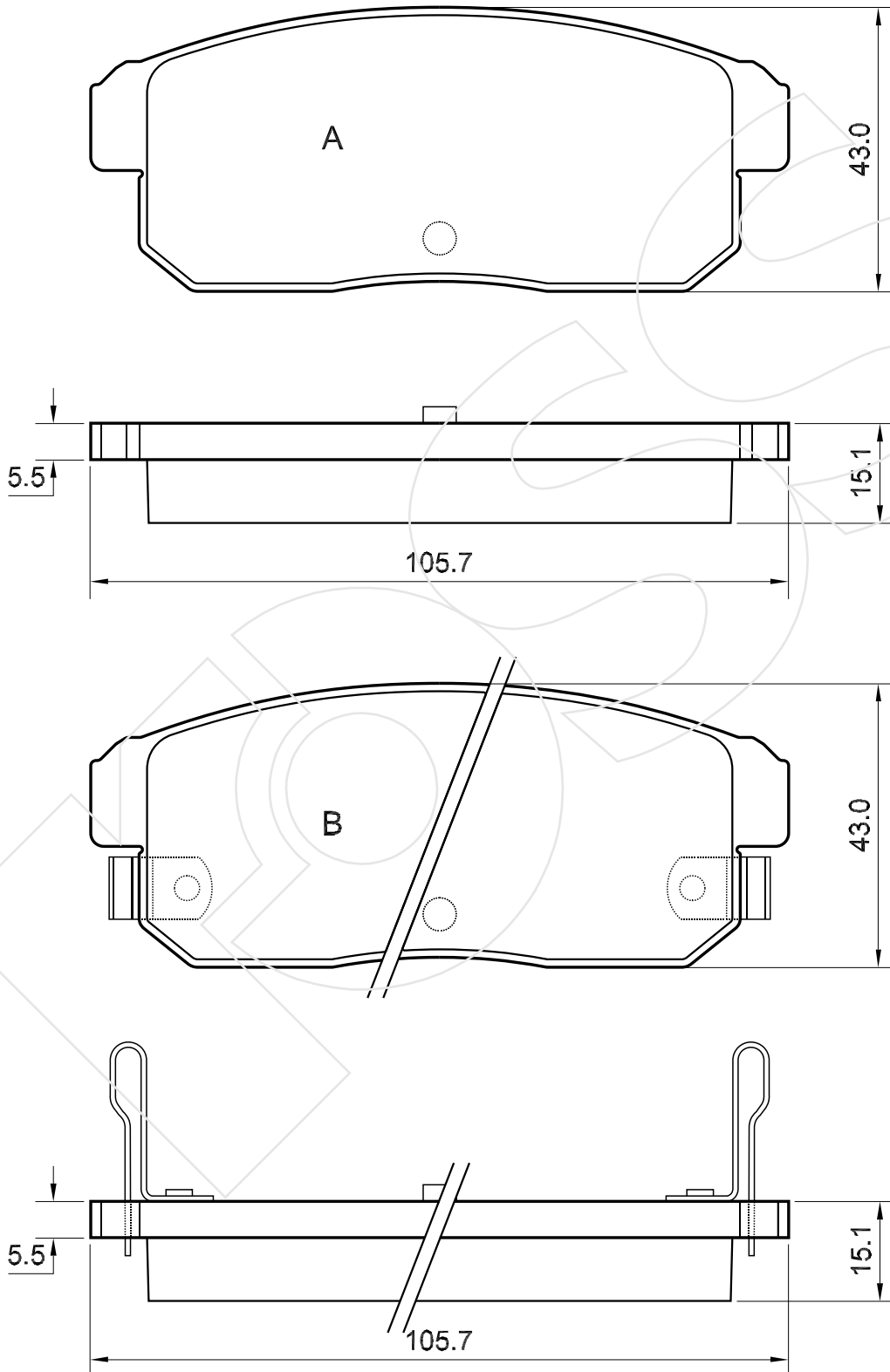
Reference in this Catalogue to other manufactures and to part numbers and other descriptions are for identification purposes only, because the above DISC BRAKE PADS are NOT ORIGINAL but with these interchangeable.

CODICE	IMPIANTO		ASSE	SCALA	APPLICAZIONI
<b>R-1170</b>	SUMITOMO		ANTERIORE	1:1	MAZDA
CODICE COMPONENTI	N°	L(mm)	SERIE		
*	*	*	4 PEZZI		
*	*	*			
*	*	*			
*	*	*			
CODICE ACCESSORI	N°	L(mm)	NOTE		
*	*	*			
*	*	*			
*	*	*			
*	*	*			



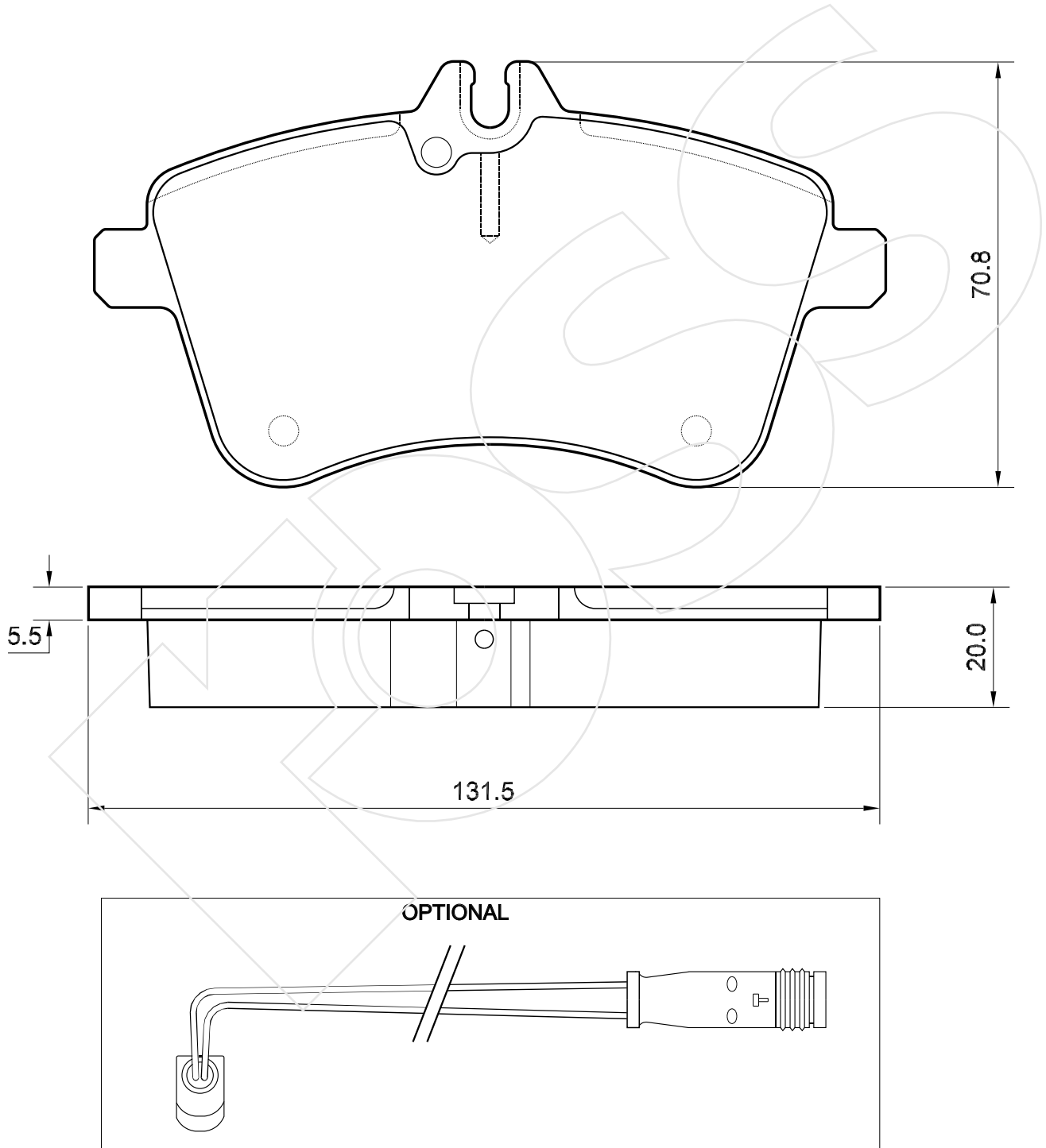
Reference in this Catalogue to other manufactures and to part numbers and other descriptions are for identification purposes only, because the above DISC BRAKE PADS are NOT ORIGINAL but with these interchangeable.

CODICE	IMPIANTO		ASSE	SCALA	APPLICAZIONI
<b>R-1171</b>	SUMITOMO		POSTERIORE	1:1	MAZDA
CODICE COMPONENTI	N°	L(mm)	SERIE		
*	*	*	2 PEZZI TIPO A		
M0177	2	*	2 PEZZI TIPO B		
*	*	*	*		
*	*	*	*		
CODICE ACCESSORI	N°	L(mm)	NOTE		
*	*	*			
*	*	*			
*	*	*			
*	*	*			



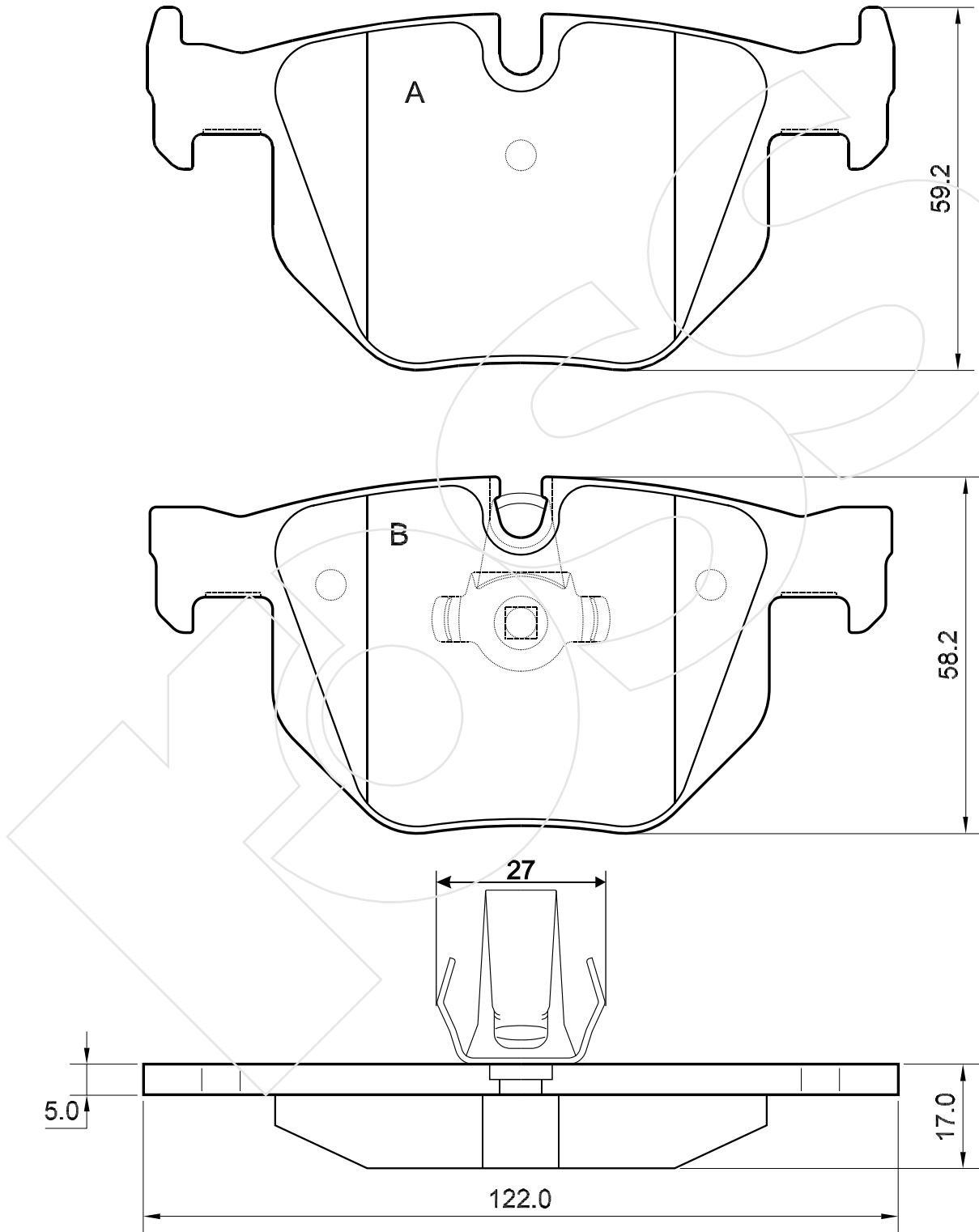
Reference in this Catalogue to other manufactures and to part numbers and other descriptions are for identification purposes only, because the above DISC BRAKE PADS are NOT ORIGINAL but with these interchangeable.

CODICE	IMPIANTO		ASSE	SCALA	APPLICAZIONI
<b>R-1172</b>	BOSCH		ANTERIORE	1:1	MERCEDES
CODICE COMPONENTI	N°	L(mm)	SERIE		
*	*	*	4 PEZZI		
*	*	*			
*	*	*			
*	*	*			
OPTIONAL	N°	L(mm)	NOTE		
F3136	1	100			
*	*	*			
*	*	*			
*	*	*			



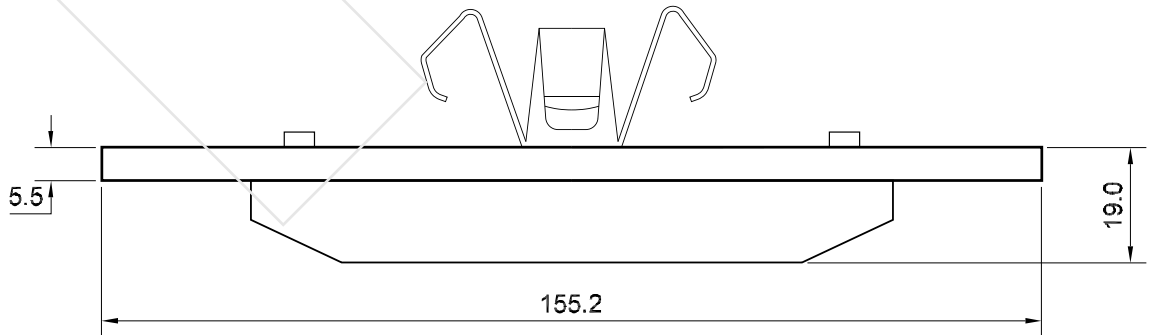
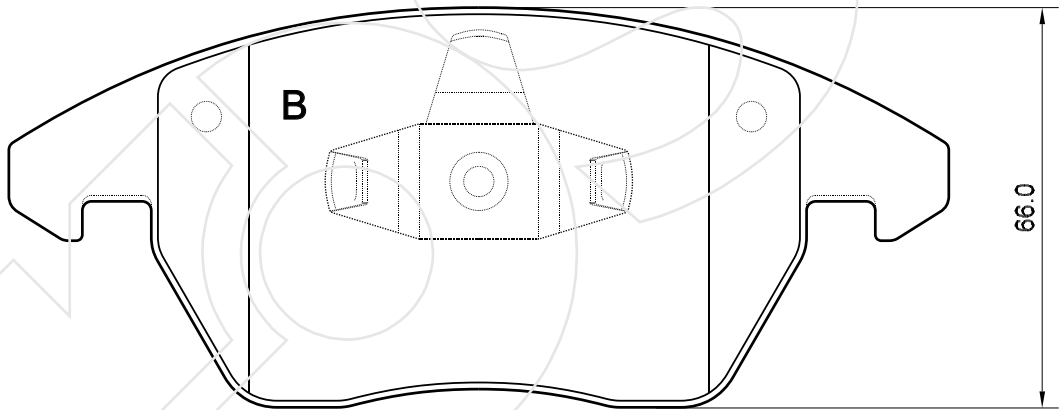
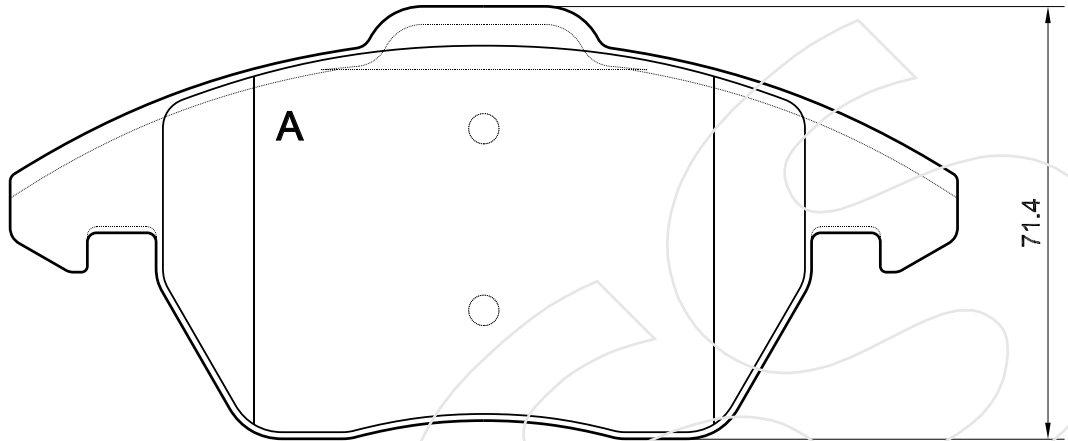
Reference in this Catalogue to other manufactures and to part numbers and other descriptions are for identification purposes only, because the above DISC BRAKE PADS are NOT ORIGINAL but with these interchangeable.

CODICE	IMPIANTO		ASSE	SCALA	APPLICAZIONI
<b>R-1173</b>	ATE		POSTERIORE	1:1	BMW
CODICE COMPONENTI	N°	L(mm)	SERIE		
*	*	*	2 PEZZI TIPO A		
M0145	2	*	2 PEZZI TIPO B		
*	*	*	*		
*	*	*	*		
CODICE ACCESSORI	N°	L(mm)	NOTE		
*	*	*			
*	*	*			
*	*	*			
*	*	*			



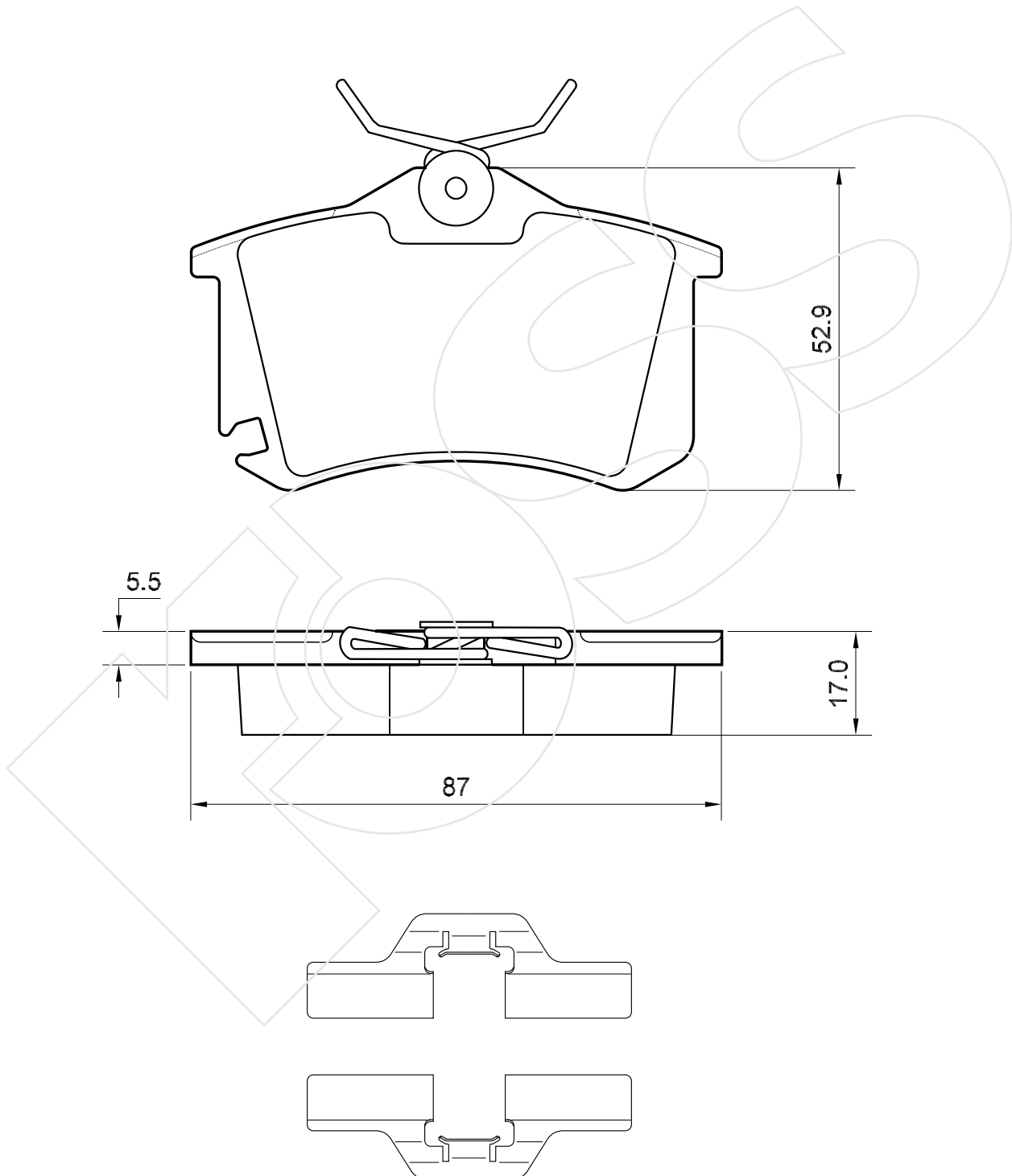
Reference in this Catalogue to other manufactures and to part numbers and other descriptions are for identification purposes only, because the above DISC BRAKE PADS are NOT ORIGINAL but with these interchangeable.

CODICE	IMPIANTO		ASSE	SCALA	APPLICAZIONI
<b>R-1174</b>	ATE		ANTERIORE	80%	PEUGEOT 307 CC 2.0i 16v 2.0 06/04-
CODICE COMPONENTI	N°	L(mm)	SERIE		
*	*	*	2 PEZZI TIPO A		
M0168	2	*	2 PEZZI TIPO B		
*	*	*	*		
*	*	*	*		
CODICE ACCESSORI	N°	L(mm)	NOTE		
*	*	*			
*	*	*			
*	*	*			
*	*	*			



Reference in this Catalogue to other manufactures and to part numbers and other descriptions are for identification purposes only, because the above DISC BRAKE PADS are NOT ORIGINAL but with these interchangeable.

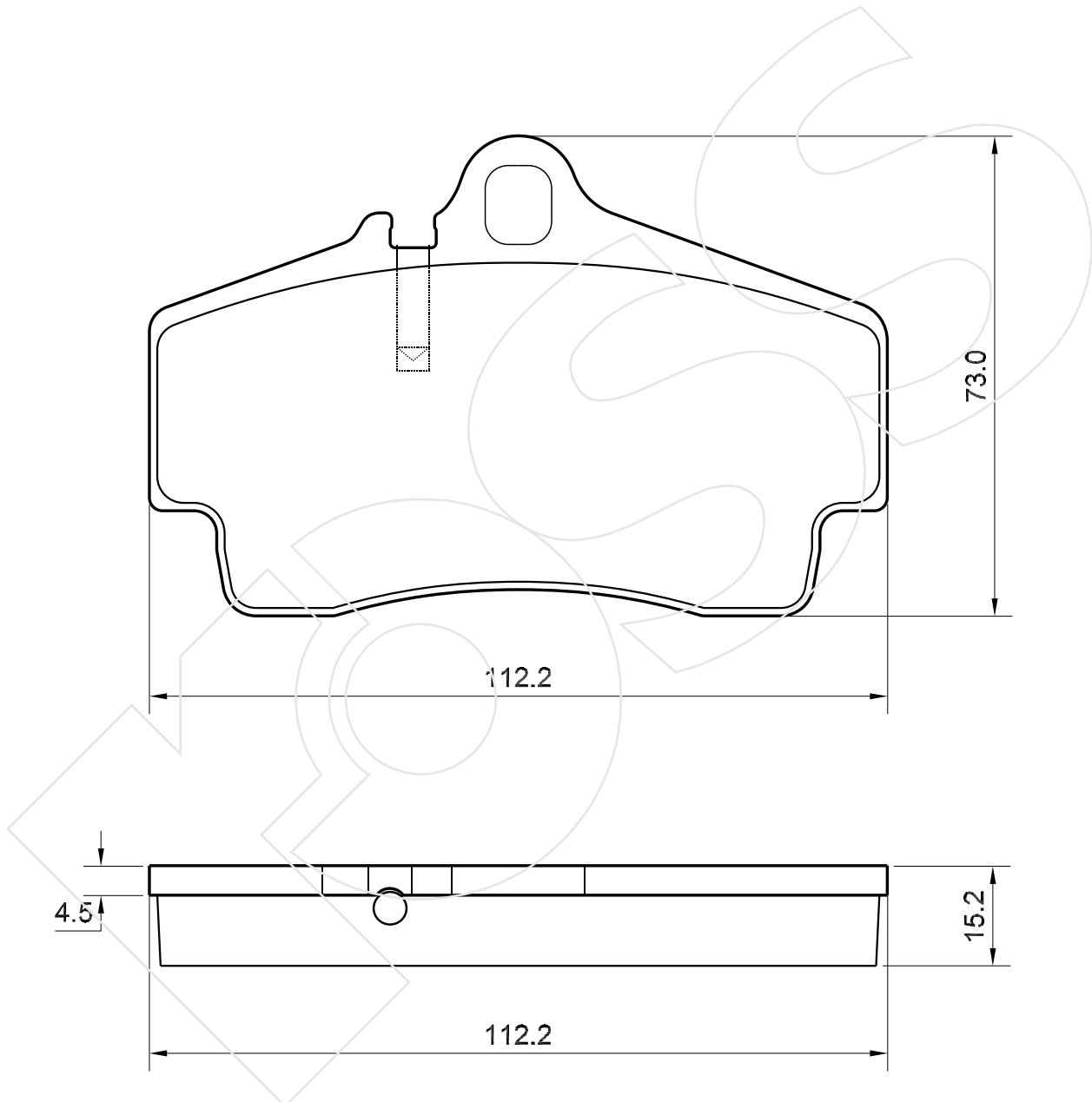
CODICE	IMPIANTO		ASSE	SCALA	APPLICAZIONI
<b>R-1175</b>	LUCAS		POSTERIORE	1:1	AUDI VOLKSWAGEN
CODICE COMPONENTI	N°	L(mm)	SERIE		
M0015	4	*	4 PEZZI		
*	*	*	*		
*	*	*	*		
*	*	*	*		
CODICE ACCESSORI	N°	L(mm)	NOTE		
M0270	4	*			
*	*	*			
*	*	*			
*	*	*			



Reference in this Catalogue to other manufactures and to part numbers and other descriptions are for identification purposes only, because the above DISC BRAKE PADS are NOT ORIGINAL but with these interchangeable.

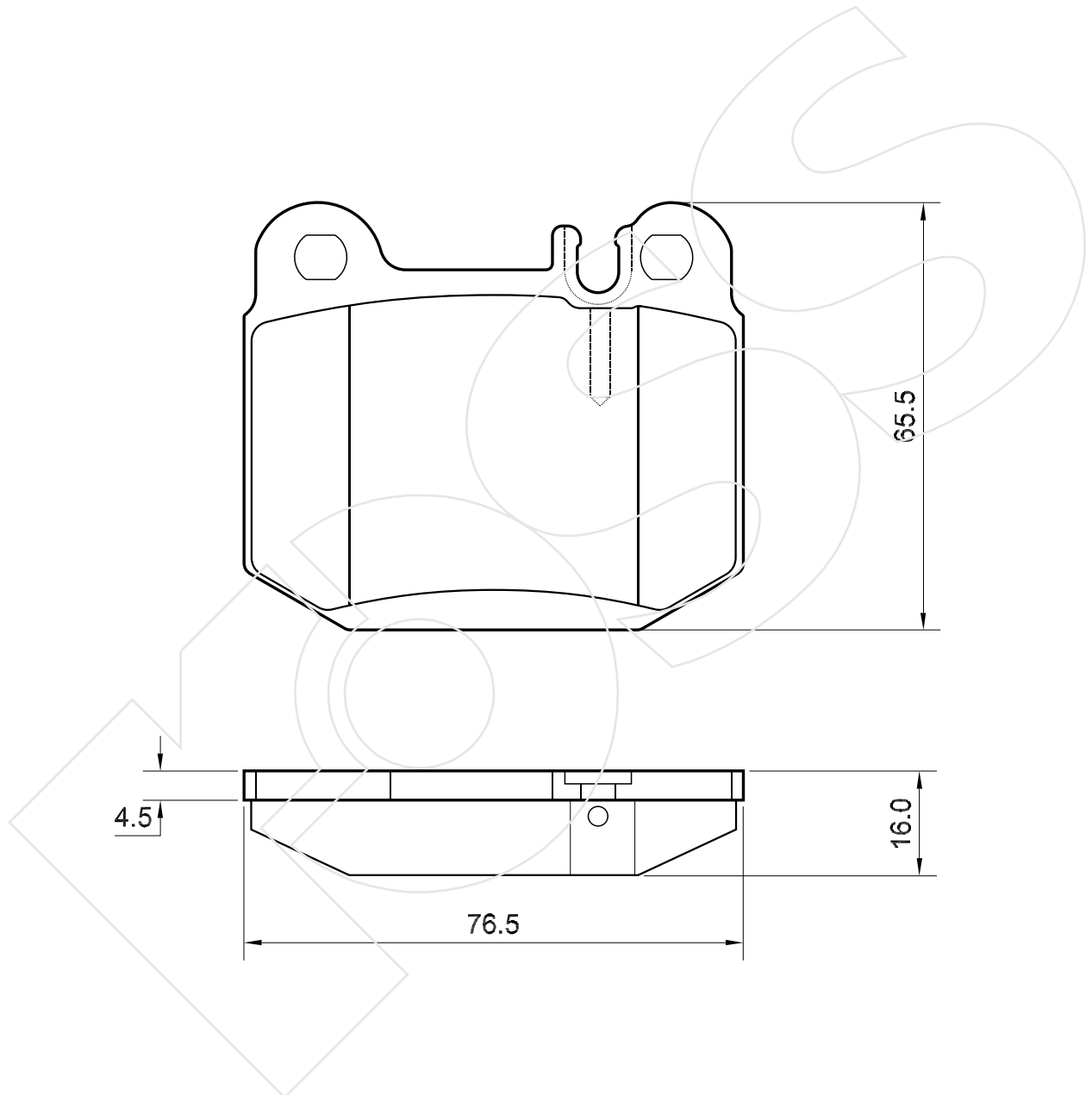


CODICE	IMPIANTO		ASSE	SCALA	APPLICAZIONI
<b>R-1176</b>	BREMBO		POSTERIORE	1:1	PORSCHE
CODICE COMPONENTI	N°	L(mm)	SERIE		
*	*	*	4 PEZZI		
*	*	*			
*	*	*			
*	*	*			
CODICE ACCESSORI	N°	L(mm)	NOTE		
*	*	*			
*	*	*			
*	*	*			
*	*	*			



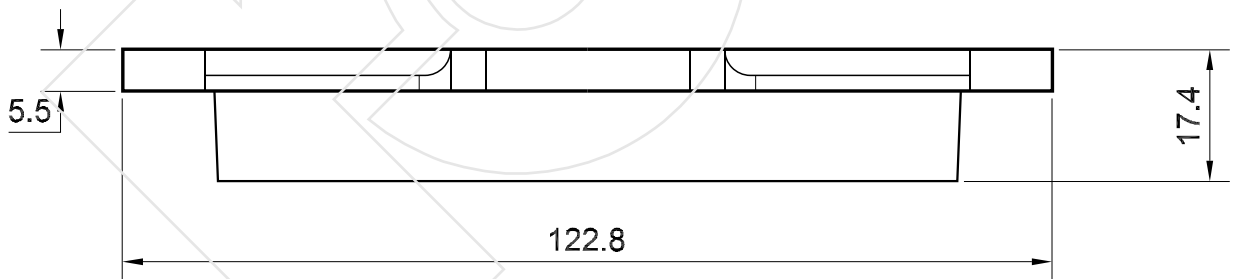
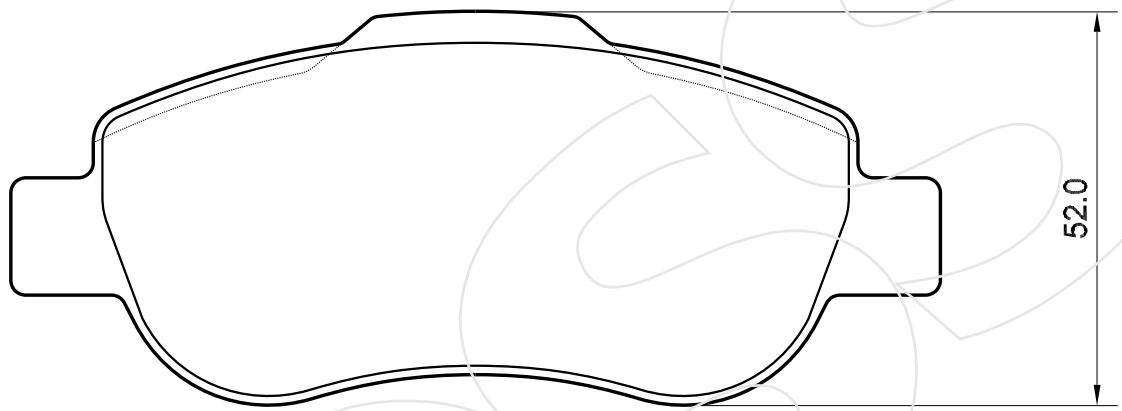
Reference in this Catalogue to other manufactures and to part numbers and other descriptions are for identification purposes only, because the above DISC BRAKE PADS are NOT ORIGINAL but with these interchangeable.

CODICE	IMPIANTO		ASSE	SCALA	APPLICAZIONI
<b>R-1177</b>	ATE		POSTERIORE	1:1	MERCEDES
CODICE COMPONENTI	N°	L(mm)	SERIE		
*	*	*	4 PEZZI		
*	*	*			
*	*	*			
*	*	*			
CODICE ACCESSORI	N°	L(mm)	NOTE		
*	*	*			
*	*	*			
*	*	*			
*	*	*			



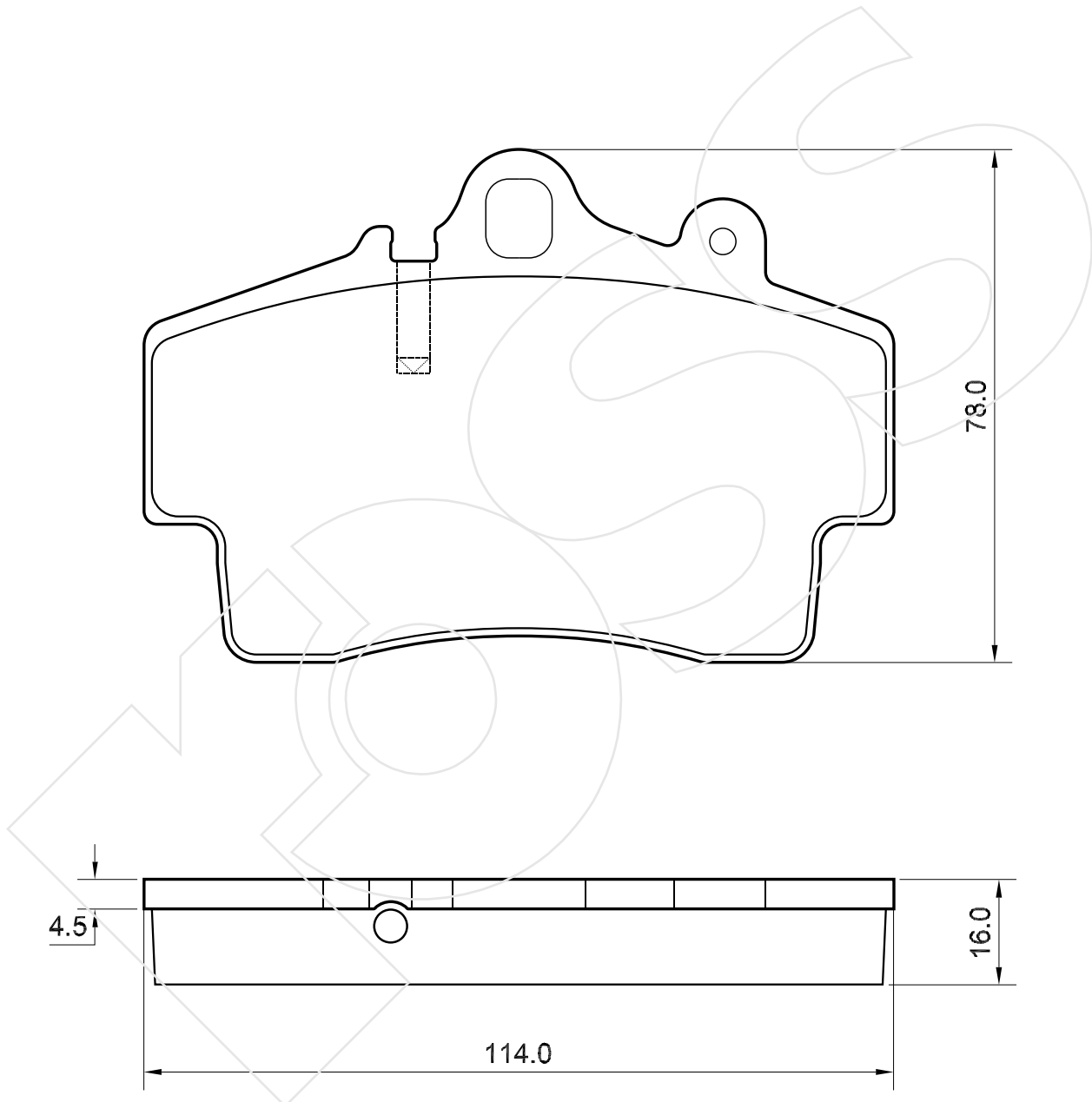
Reference in this Catalogue to other manufactures and to part numbers and other descriptions are for identification purposes only, because the above DISC BRAKE PADS are NOT ORIGINAL but with these interchangeable.

CODICE	IMPIANTO		ASSE	SCALA	APPLICAZIONI
<b>R-1178</b>	BOSCH		ANTERIORE	1:1	FIAT
CODICE COMPONENTI	N°	L(mm)	SERIE		
*	*	*	4 PEZZI		
*	*	*			
*	*	*			
*	*	*			
CODICE ACCESSORI	N°	L(mm)	NOTE		
*	*	*			
*	*	*			
*	*	*			
*	*	*			



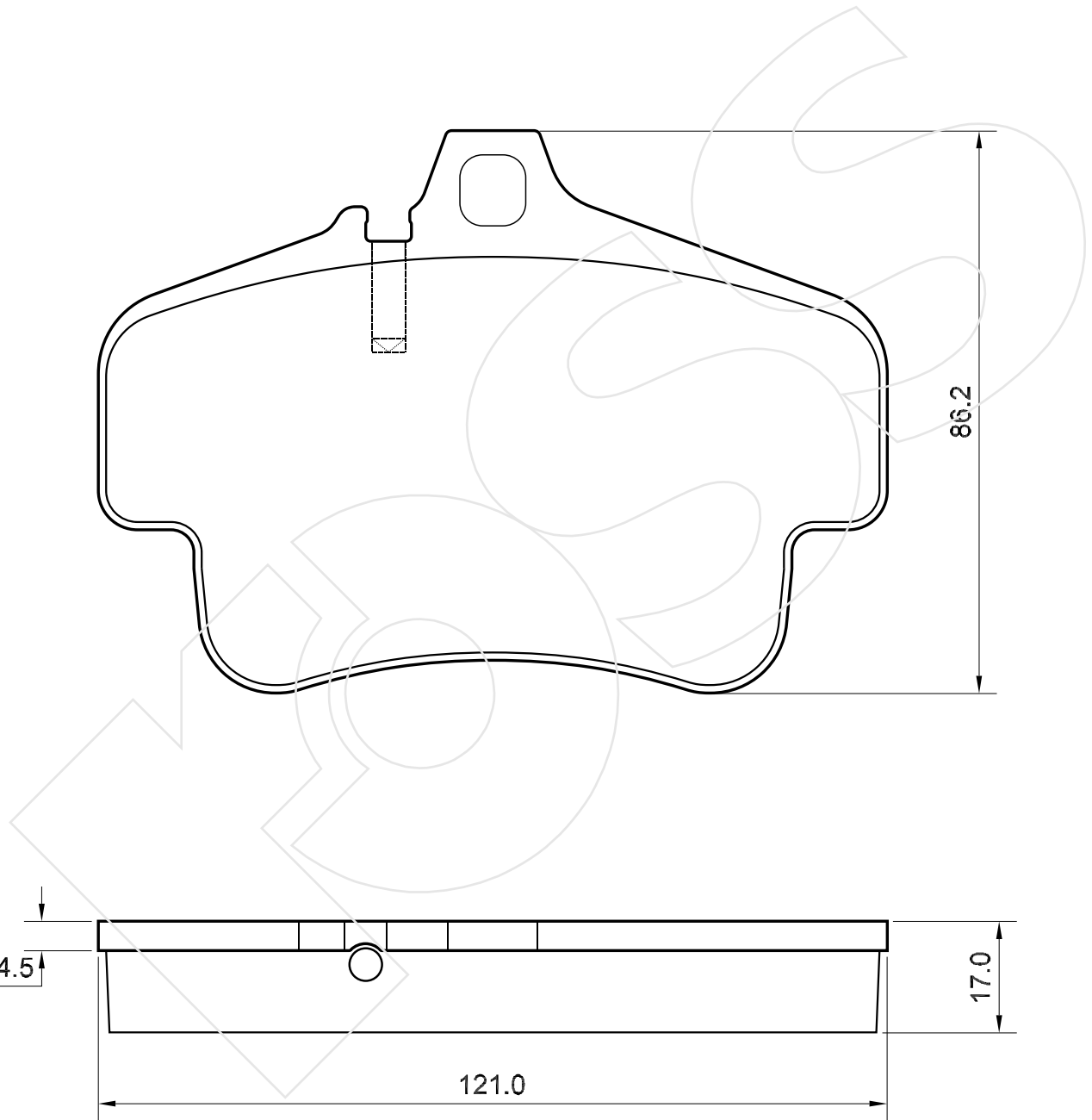
Reference in this Catalogue to other manufactures and to part numbers and other descriptions are for identification purposes only, because the above DISC BRAKE PADS are NOT ORIGINAL but with these interchangeable.

CODICE	IMPIANTO		ASSE	SCALA	APPLICAZIONI
<b>R-1179</b>	BREMBO		ANTERIORE	1:1	PORSCHE
CODICE COMPONENTI	N°	L(mm)	SERIE		
*	*	*	4 PEZZI		
*	*	*			
*	*	*			
*	*	*			
CODICE ACCESSORI	N°	L(mm)	NOTE		
*	*	*			
*	*	*			
*	*	*			
*	*	*			



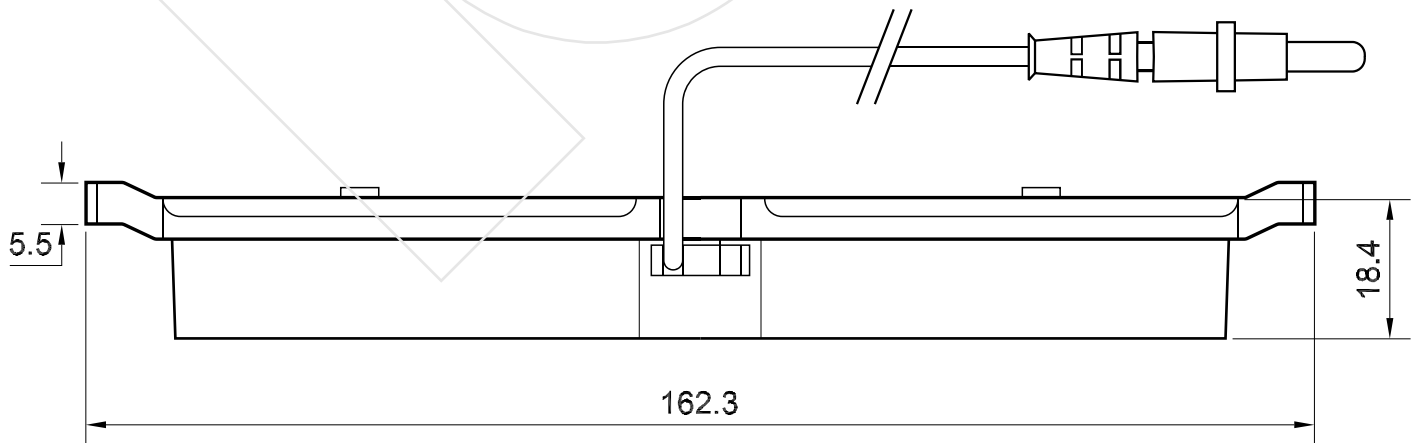
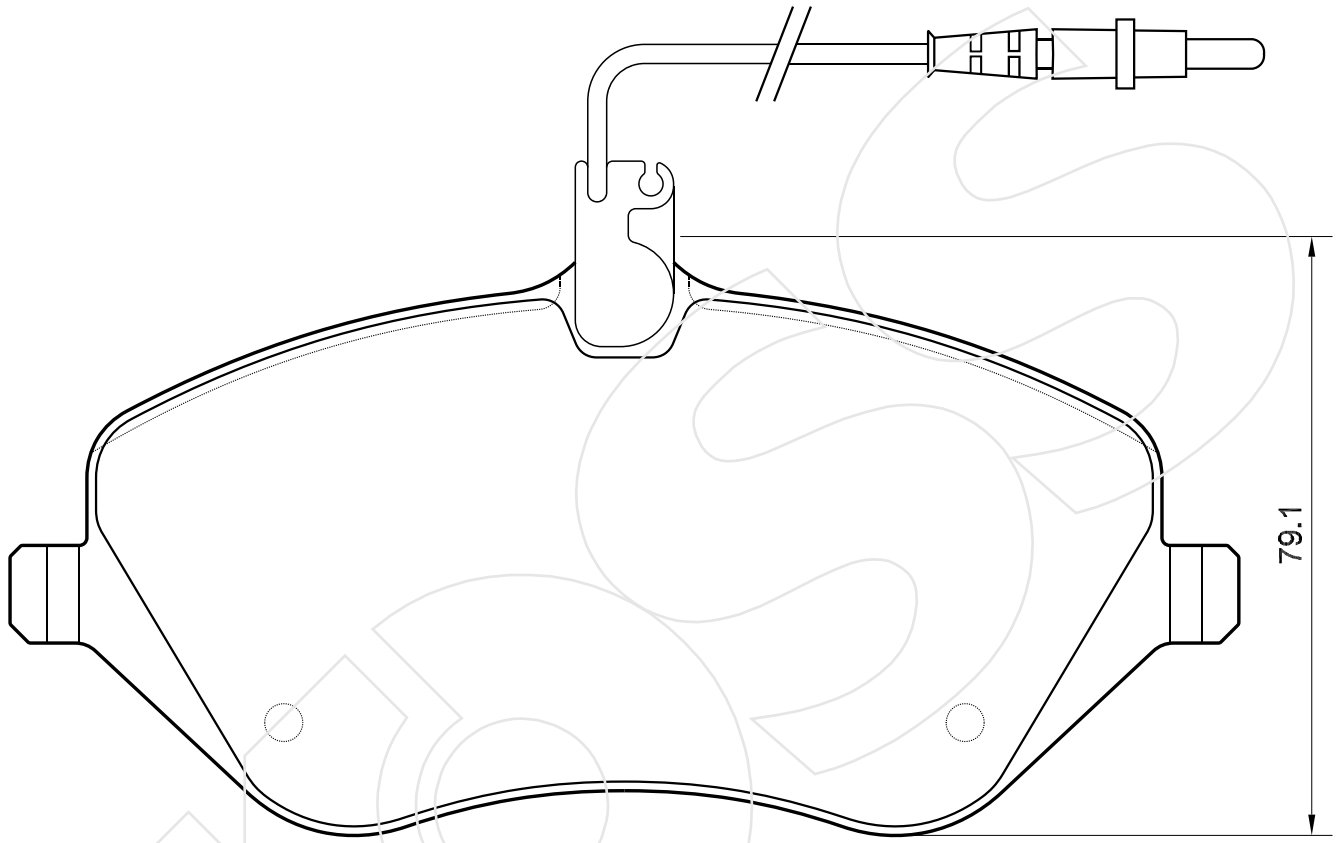
Reference in this Catalogue to other manufactures and to part numbers and other descriptions are for identification purposes only, because the above DISC BRAKE PADS are NOT ORIGINAL but with these interchangeable.

CODICE	IMPIANTO		ASSE	SCALA	APPLICAZIONI
<b>R-1180</b>	BREMBO		ANTERIORE	1:1	PORSCHE
CODICE COMPONENTI	N°	L(mm)	SERIE		
*	*	*	4 PEZZI		
*	*	*			
*	*	*			
*	*	*			
CODICE ACCESSORI	N°	L(mm)	NOTE		
*	*	*			
*	*	*			
*	*	*			
*	*	*			

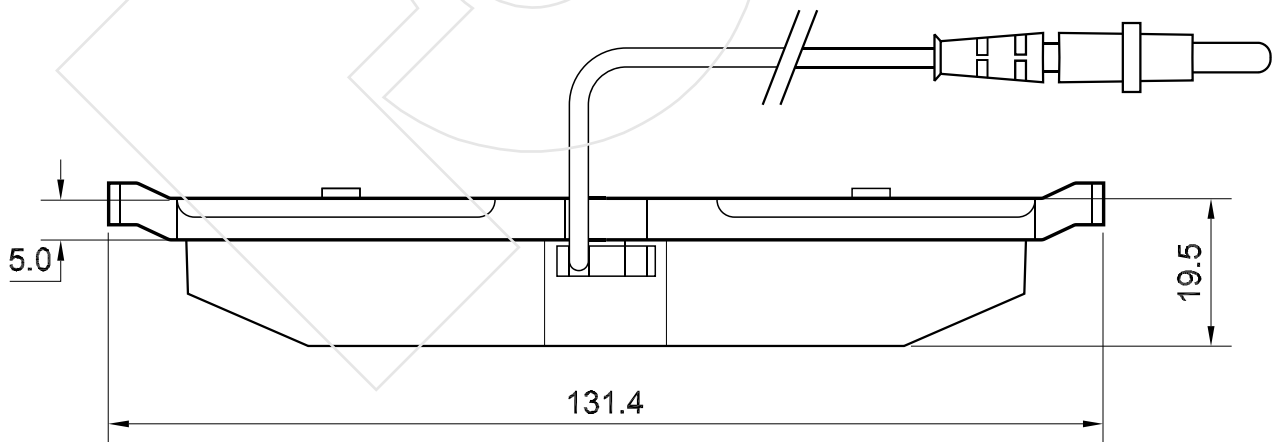
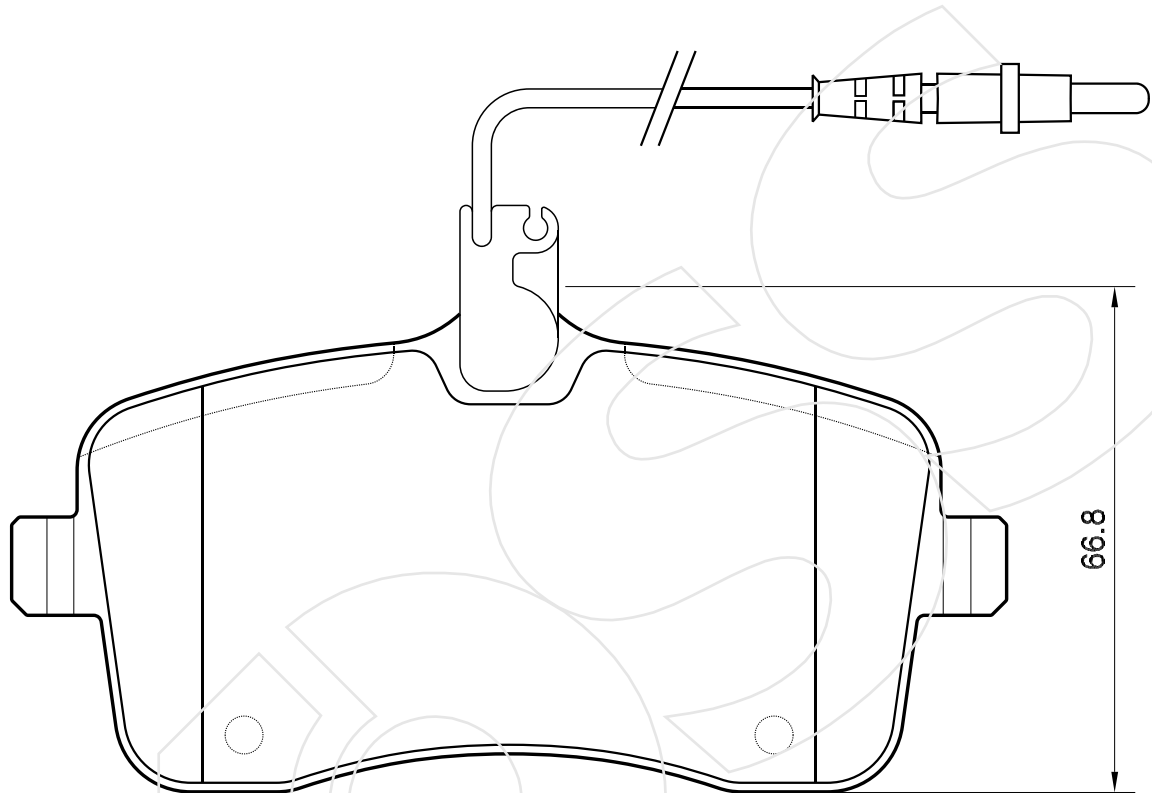


Reference in this Catalogue to other manufactures and to part numbers and other descriptions are for identification purposes only, because the above DISC BRAKE PADS are NOT ORIGINAL but with these interchangeable.

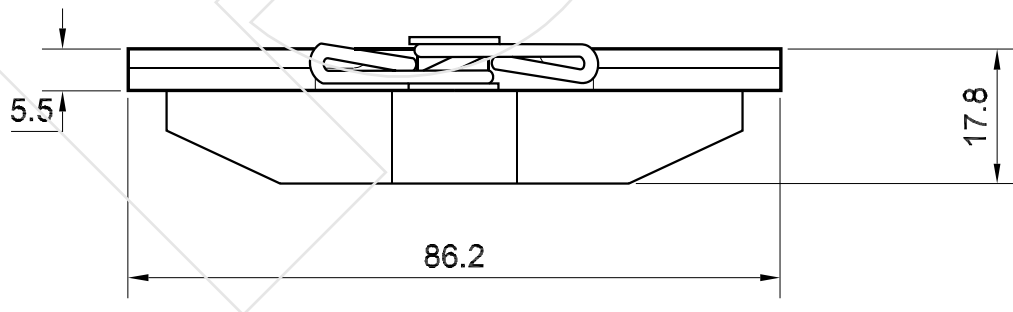
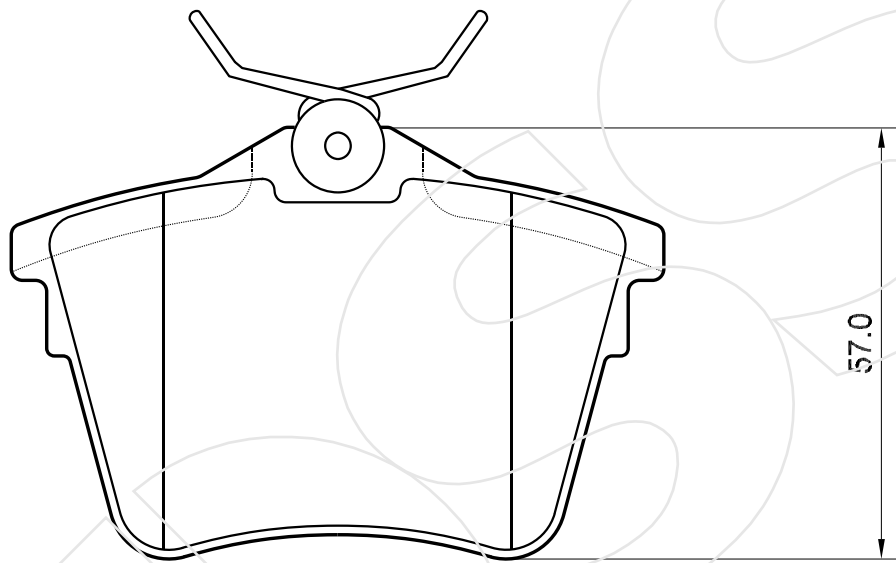
CODICE	IMPIANTO		ASSE	SCALA	APPLICAZIONI
<b>R-1181</b>	LUCAS		ANTERIORE	1:1	PEUGEOT
CODICE COMPONENTI	N°	L(mm)	SERIE		
F3154	4	350	4 PEZZI		
*	*	*	*		
*	*	*	*		
*	*	*	*		
CODICE ACCESSORI	N°	L(mm)	NOTE		
*	*	*			
*	*	*			
*	*	*			
*	*	*			



CODICE	IMPIANTO		ASSE	SCALA	APPLICAZIONI
<b>R-1182</b>	LUCAS		ANTERIORE	1:1	PEUGEOT
CODICE COMPONENTI	N°	L(mm)	SERIE		
F3154	4	350	4 PEZZI		
*	*	*	*		
*	*	*	*		
*	*	*	*		
CODICE ACCESSORI	N°	L(mm)	NOTE		
*	*	*			
*	*	*			
*	*	*			
*	*	*			

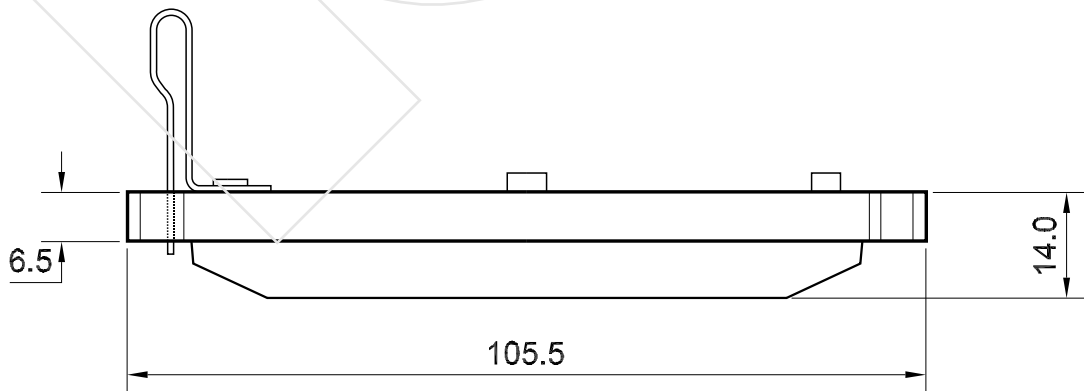
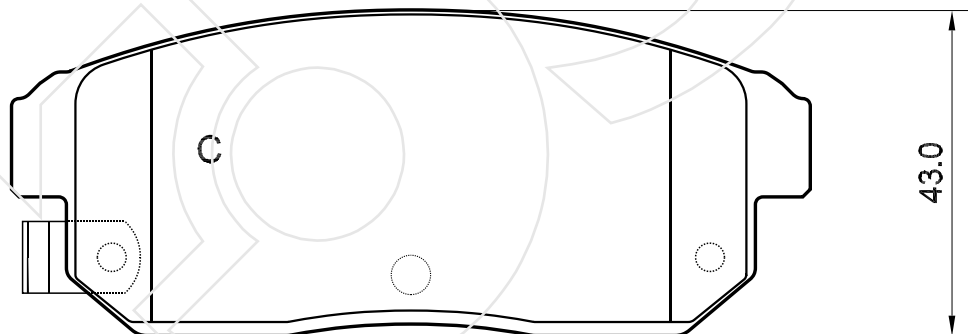
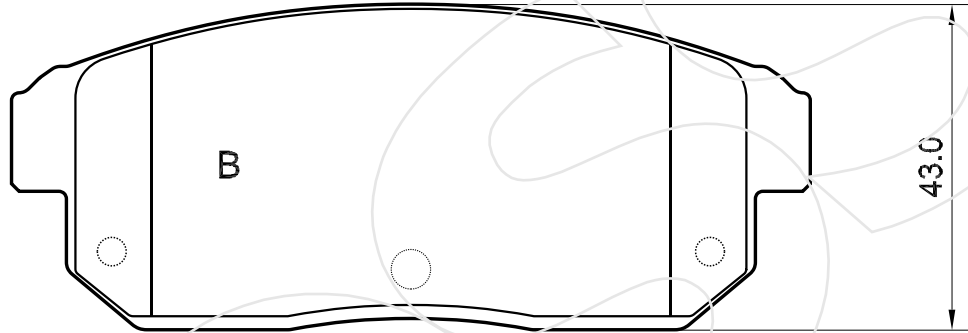
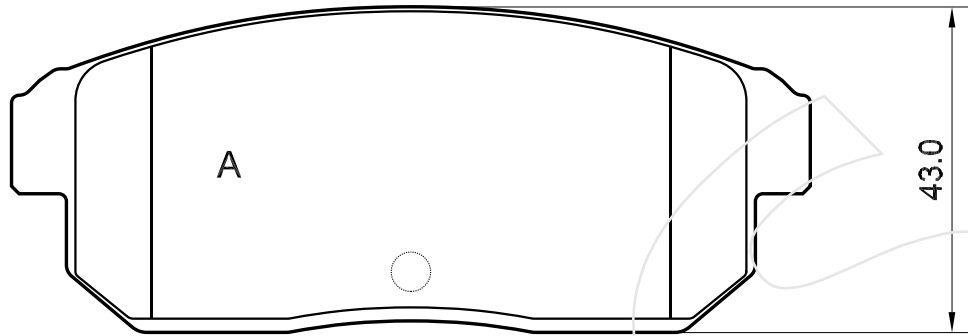


CODICE	IMPIANTO		ASSE	SCALA	APPLICAZIONI
<b>R-1183</b>	LUCAS		POSTERIORE	1:1	PEUGEOT
CODICE COMPONENTI	N°	L(mm)	SERIE		
M0015	4	*	4 PEZZI		
*	*	*	*		
*	*	*	*		
*	*	*	*		
CODICE ACCESSORI	N°	L(mm)	NOTE		
*	*	*			
*	*	*			
*	*	*			
*	*	*			

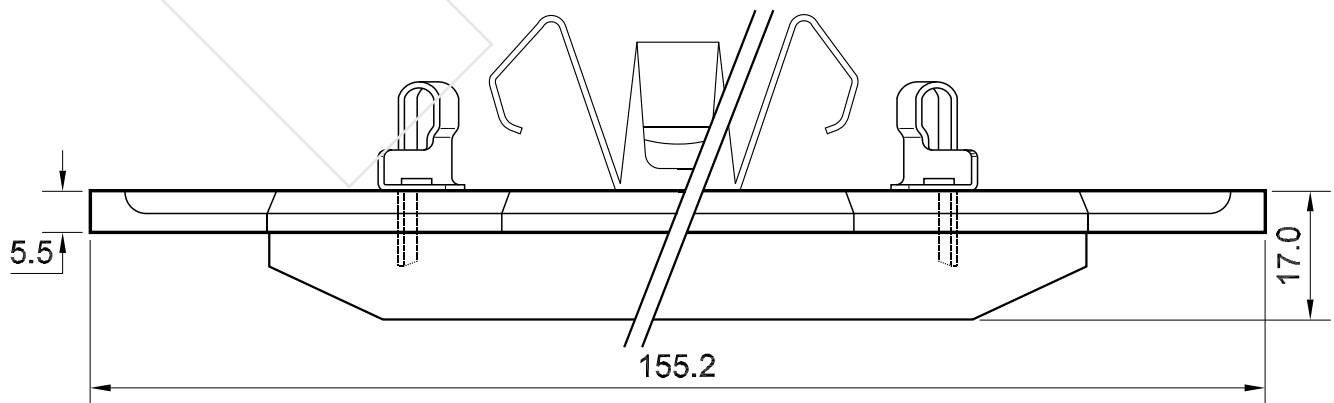
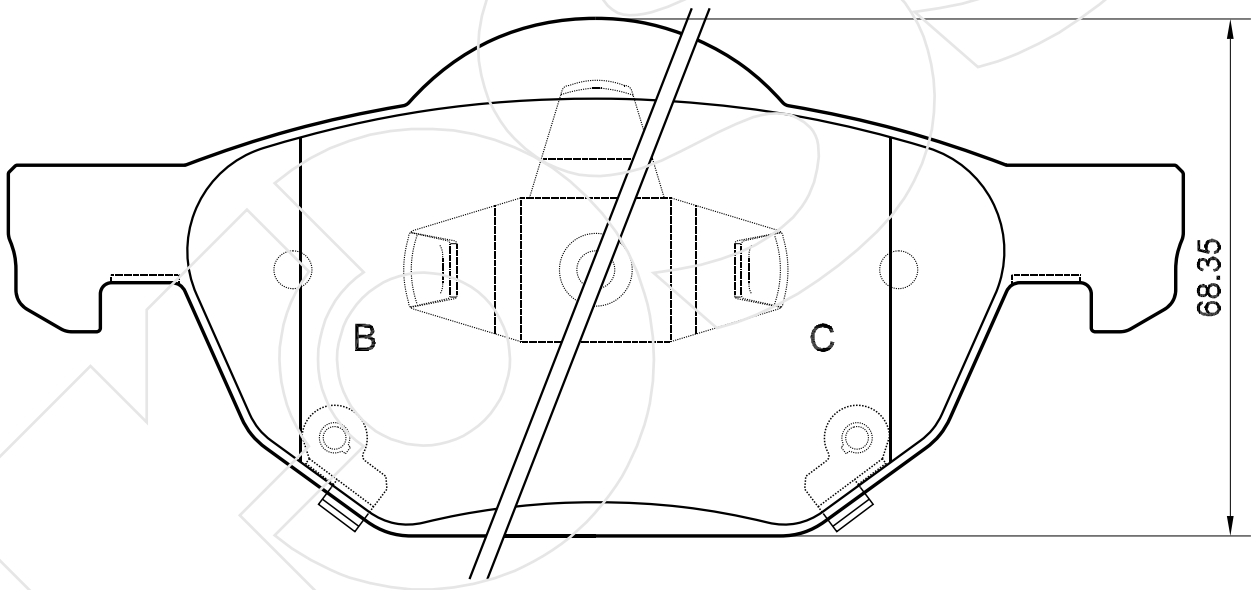
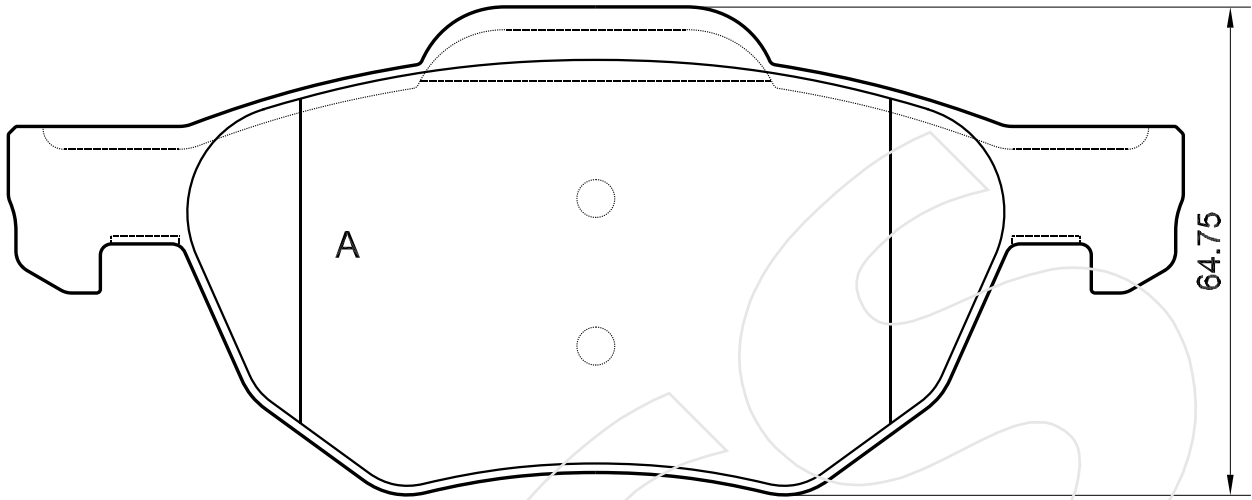




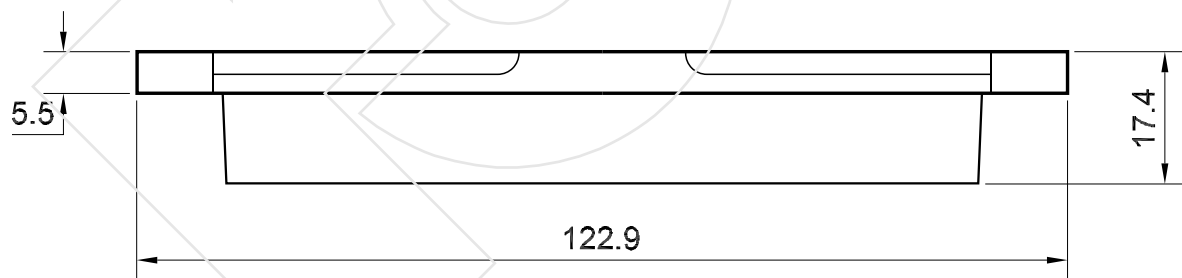
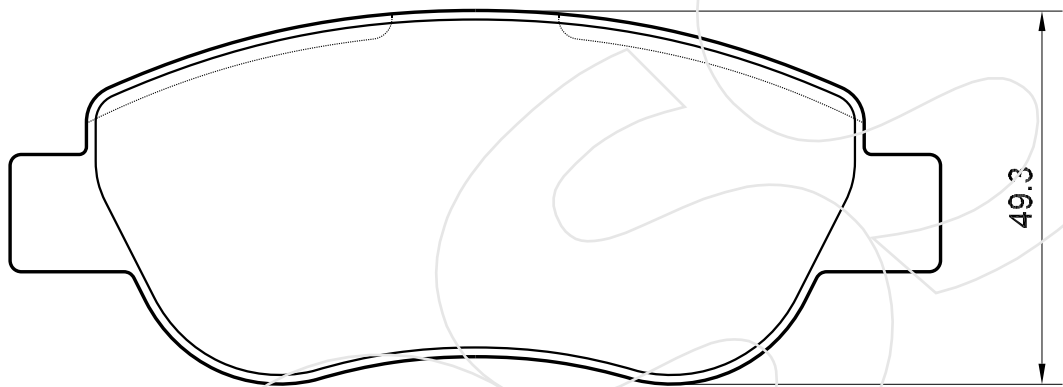
CODICE	IMPIANTO		ASSE	SCALA	APPLICAZIONI
<b>R-1184</b>	SUMITOMO		POSTERIORE	1:1	SUZUKI
CODICE COMPONENTI	N°	L(mm)	SERIE		
*	*	*	2 PEZZI TIPO A		
*	*	*	1 PEZZO TIPO B		
M0036	1	*	1 PEZZO TIPO C		
*	*	*	*		
CODICE ACCESSORI	N°	L(mm)	NOTE		
*	*	*			
*	*	*			
*	*	*			
*	*	*			



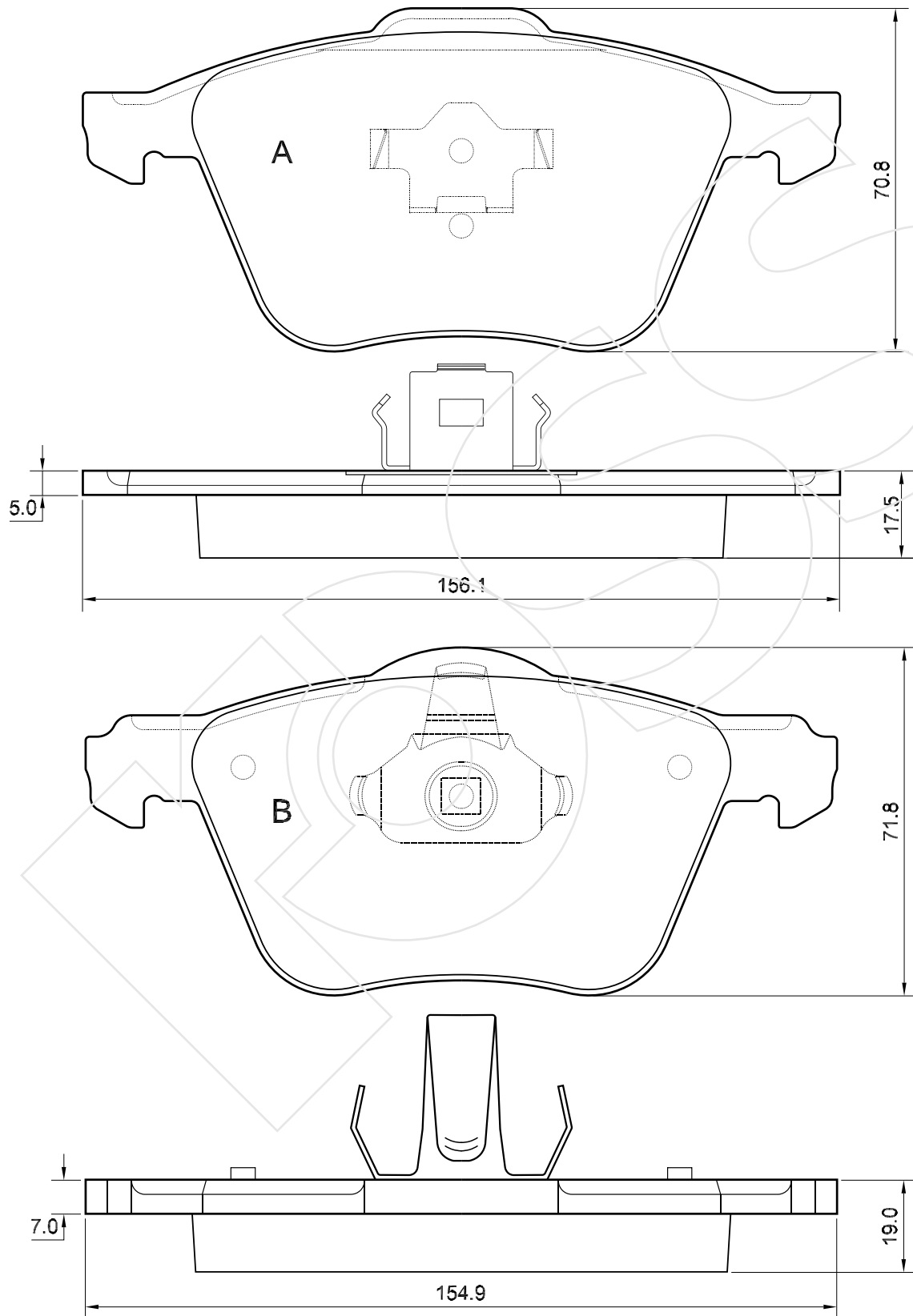
CODICE	IMPIANTO		ASSE	SCALA	APPLICAZIONI
<b>R-1185</b>	ATE		ANTERIORE	1:1	HONDA
CODICE COMPONENTI	N°	L(mm)	SERIE		
*	*	*	2 PEZZI TIPO A		
M0284+M0094	1+1	*	1 PEZZO TIPO B		
M0284+M0095	1+1	*	1 PEZZO TIPO C		
*	*	*	*		
CODICE ACCESSORI	N°	L(mm)	NOTE		
*	*	*			
*	*	*			
*	*	*			
*	*	*			



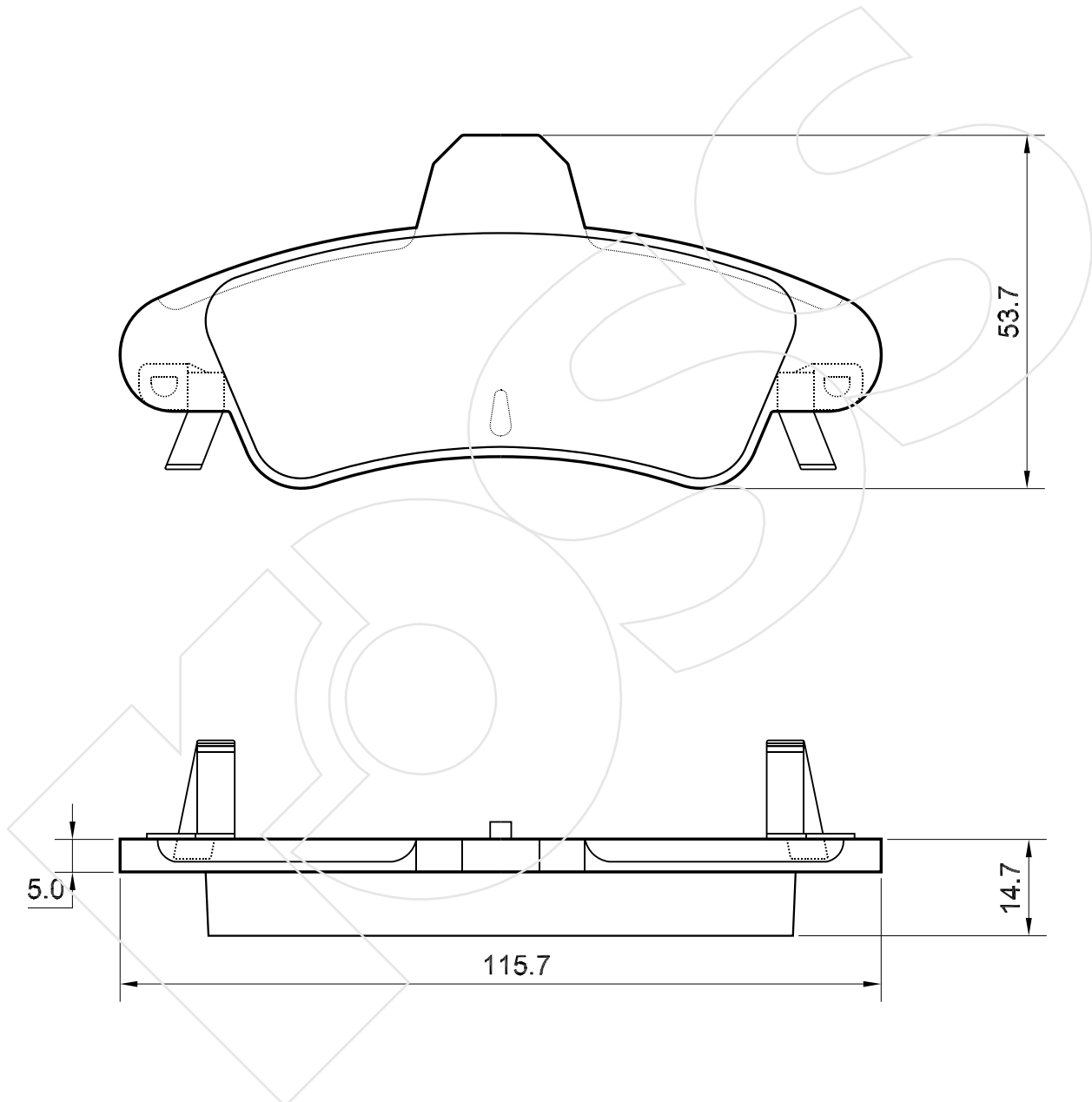
CODICE	IMPIANTO		ASSE	SCALA	APPLICAZIONI
<b>R-1186</b>	BOSCH		ANTERIORE	1:1	RENAULT
CODICE COMPONENTI	N°	L(mm)	SERIE		
*	*	*	4 PEZZI		
*	*	*			
*	*	*			
*	*	*			
CODICE ACCESSORI	N°	L(mm)	NOTE		
*	*	*			
*	*	*			
*	*	*			
*	*	*			



CODICE	IMPIANTO		ASSE	SCALA	APPLICAZIONI
<b>R-1187</b>	ATE		ANTERIORE	80%	VOLVO
CODICE COMPONENTI	N°	L(mm)	SERIE		
M0283	2	*	2 PEZZI TIPO A		
M0144	2	*	2 PEZZI TIPO B		
*	*	*	*		
*	*	*	*		
CODICE ACCESSORI	N°	L(mm)	NOTE		
*	*	*			
*	*	*			
*	*	*			
*	*	*			

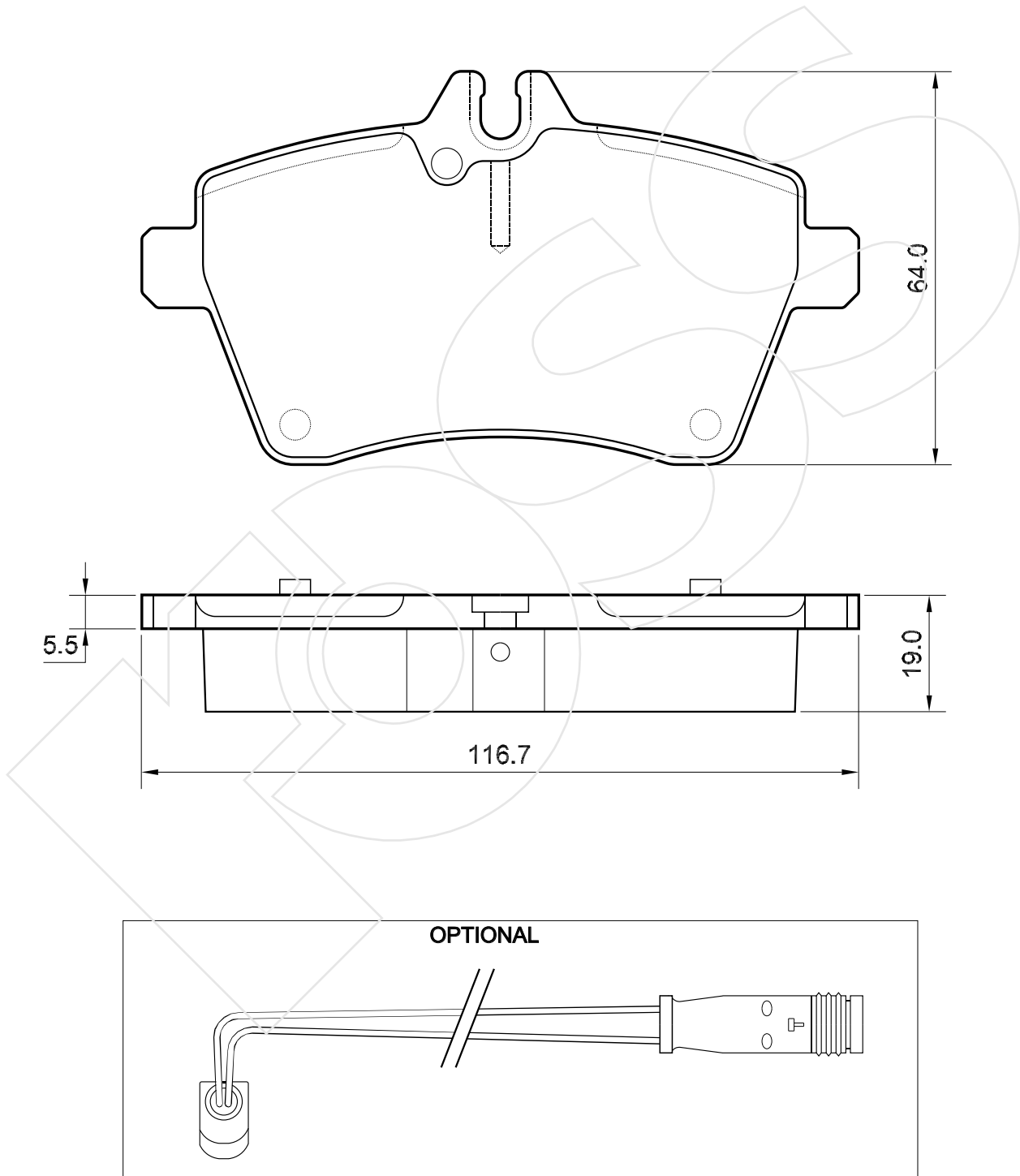


CODICE	IMPIANTO		ASSE	SCALA	APPLICAZIONI
<b>R-1188</b>	BENDIX		POSTERIORE	1:1	FORD
CODICE COMPONENTI	N°	L(mm)	SERIE		
M0169+M0170	4+4	*	4 PEZZI		
*	*	*	*		
*	*	*	*		
*	*	*	*		
CODICE ACCESSORI	N°	L(mm)	NOTE		
*	*	*			
*	*	*			
*	*	*			
*	*	*			



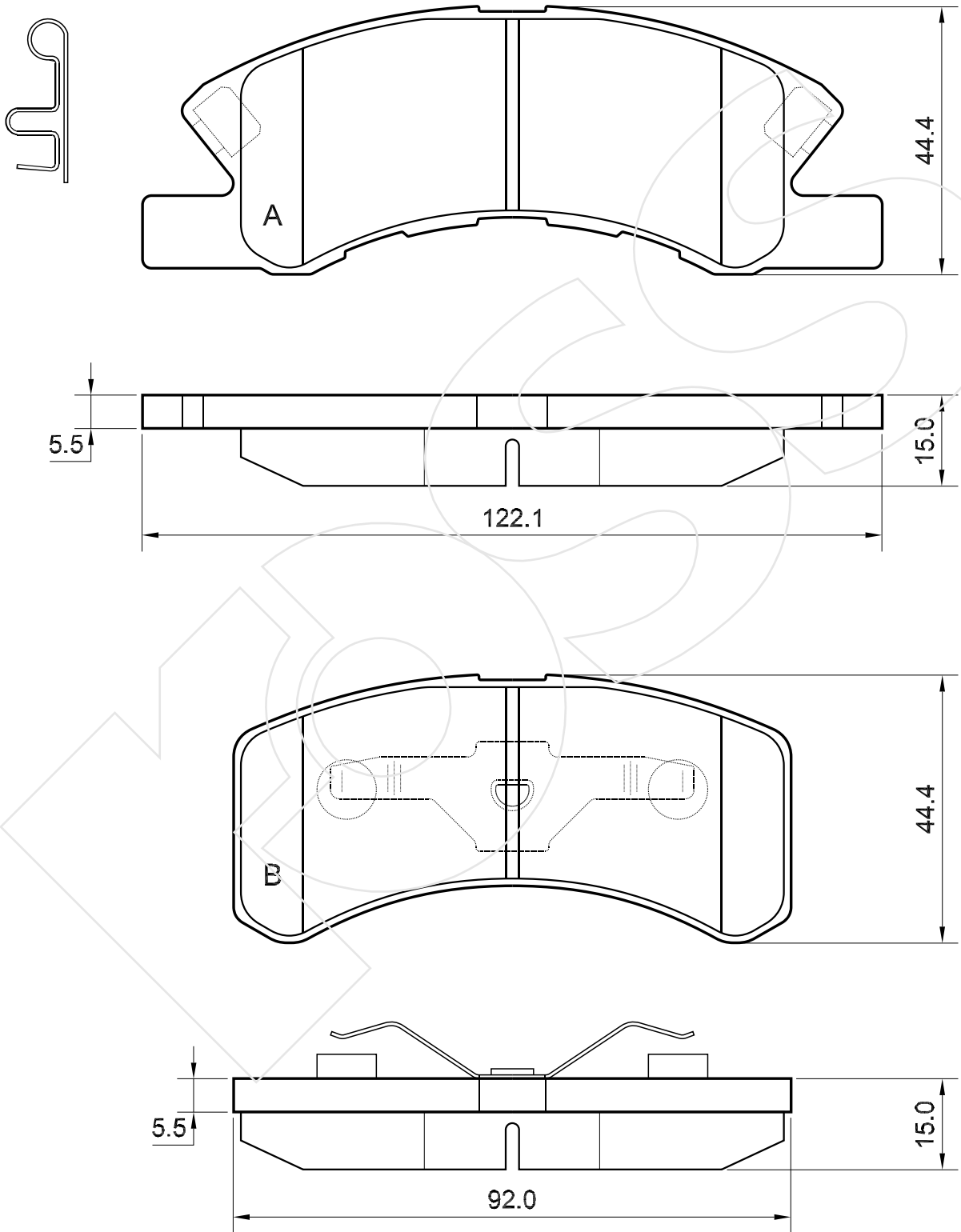
Reference in this Catalogue to other manufactures and to part numbers and other descriptions are for identification purposes only, because the above DISC BRAKE PADS are NOT ORIGINAL but with these interchangeable.

CODICE	IMPIANTO		ASSE	SCALA	APPLICAZIONI
<b>R-1189</b>	BOSCH		ANTERIORE	1:1	MERCEDES
CODICE COMPONENTI	N°	L(mm)	SERIE		
*	*	*	4 PEZZI		
*	*	*			
*	*	*			
*	*	*			
CODICE ACCESSORI	N°	L(mm)	NOTE		
V2004	4	*			
F3136	2	100			
*	*	*			
*	*	*			



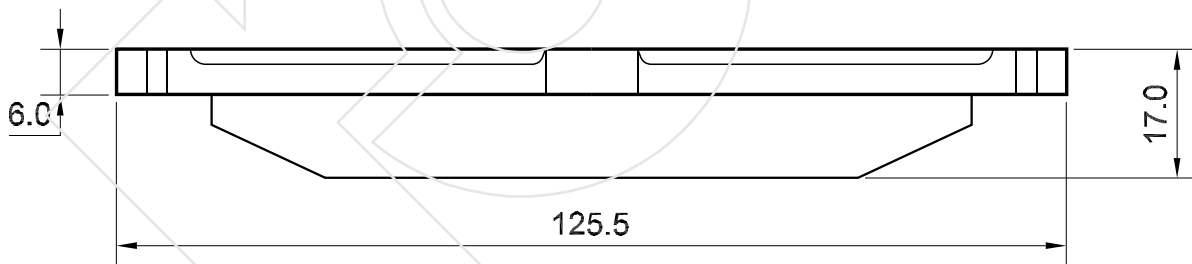
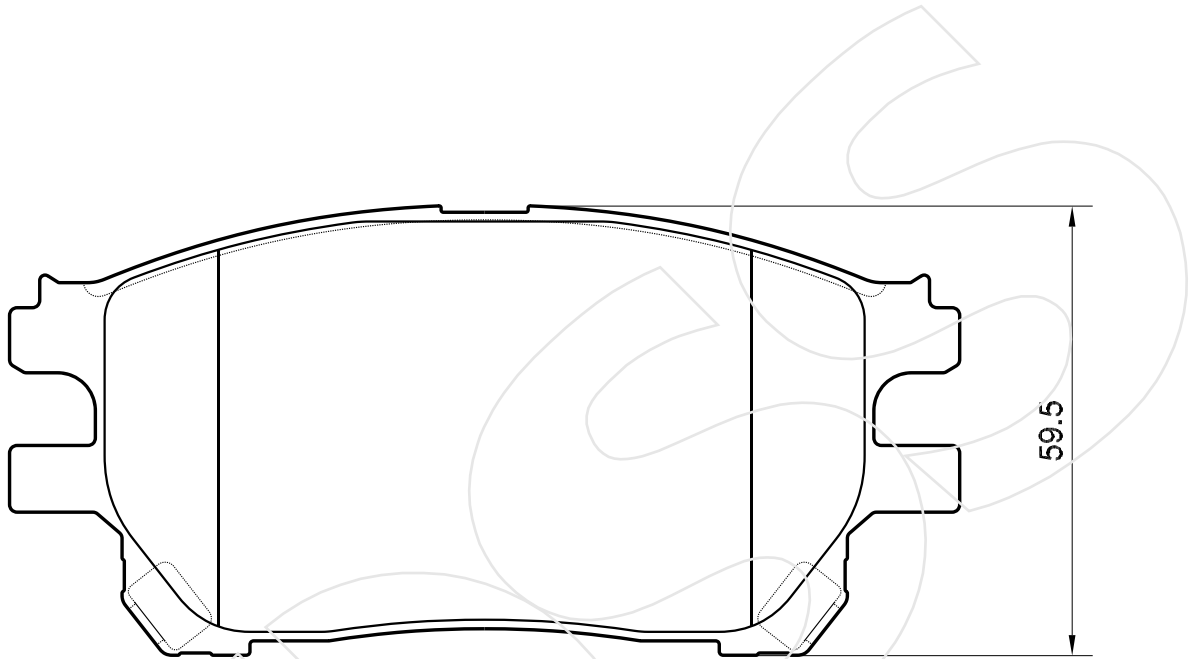
Reference in this Catalogue to other manufactures and to part numbers and other descriptions are for identification purposes only, because the above DISC BRAKE PADS are NOT ORIGINAL but with these interchangeable.

CODICE	IMPIANTO		ASSE	SCALA	APPLICAZIONI
<b>R-1190</b>	AKEBONO		ANTERIORE	1:1	DAIHATSU
CODICE COMPONENTI	N°	L(mm)	SERIE		
M0251	2	*	2 PEZZI TIPO A		
M0072	2	*	2 PEZZI TIPO B		
*	*	*	*		
*	*	*	*		
CODICE ACCESSORI	N°	L(mm)	NOTE		
*	*	*			
*	*	*			
*	*	*			
*	*	*			



Reference in this Catalogue to other manufactures and to part numbers and other descriptions are for identification purposes only, because the above DISC BRAKE PADS are NOT ORIGINAL but with these interchangeable.

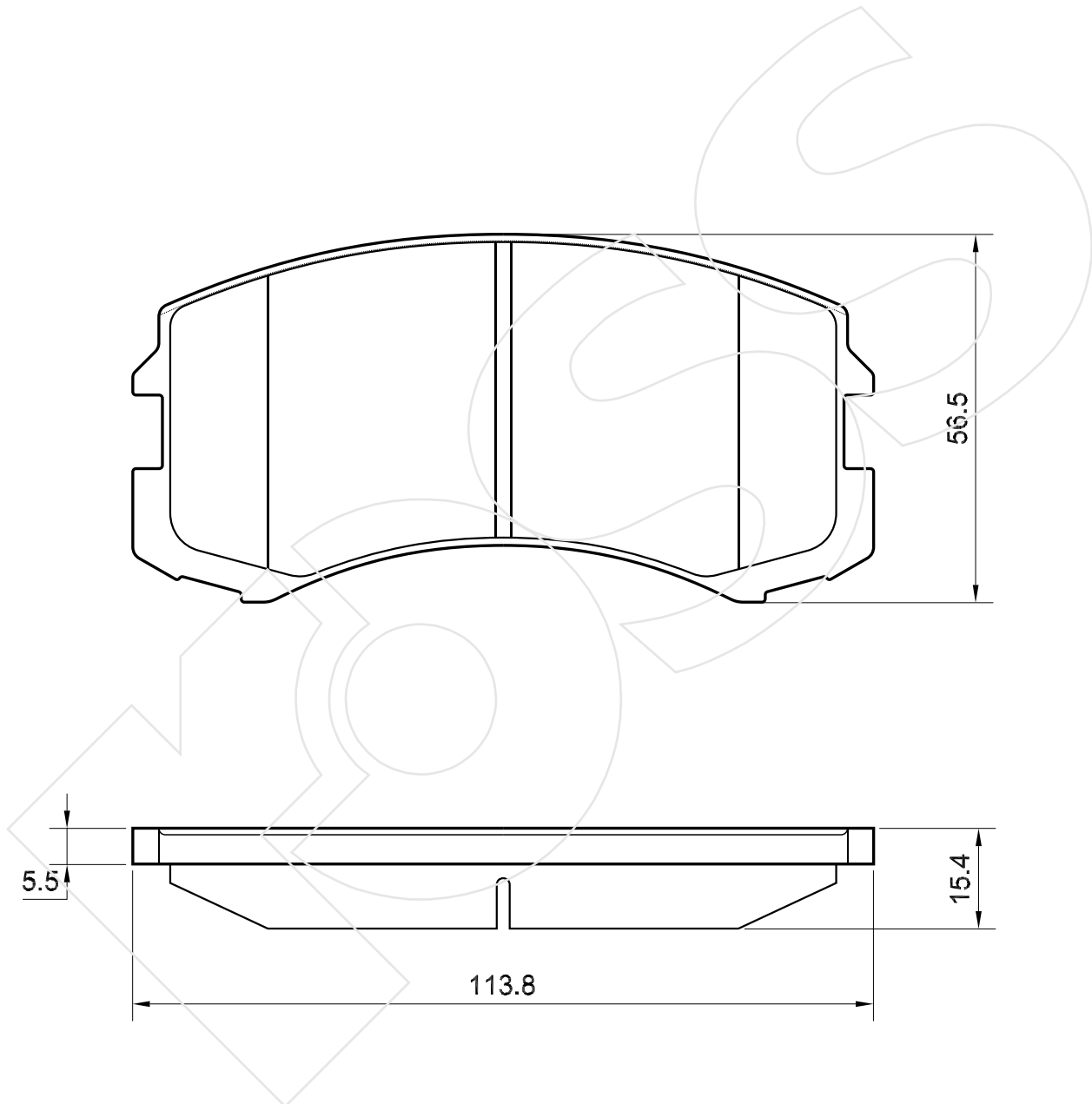
CODICE	IMPIANTO		ASSE	SCALA	APPLICAZIONI
<b>R-1191</b>	AKEBONO		ANTERIORE	1:1	TOYOTA
CODICE COMPONENTI	N°	L(mm)	SERIE		
*	*	*	4 PEZZI		
*	*	*			
*	*	*			
*	*	*			
CODICE ACCESSORI	N°	L(mm)	NOTE		
*	*	*			
*	*	*			
*	*	*			
*	*	*			



Reference in this Catalogue to other manufactures and to part numbers and other descriptions are for identification purposes only, because the above DISC BRAKE PADS are NOT ORIGINAL but with these interchangeable.

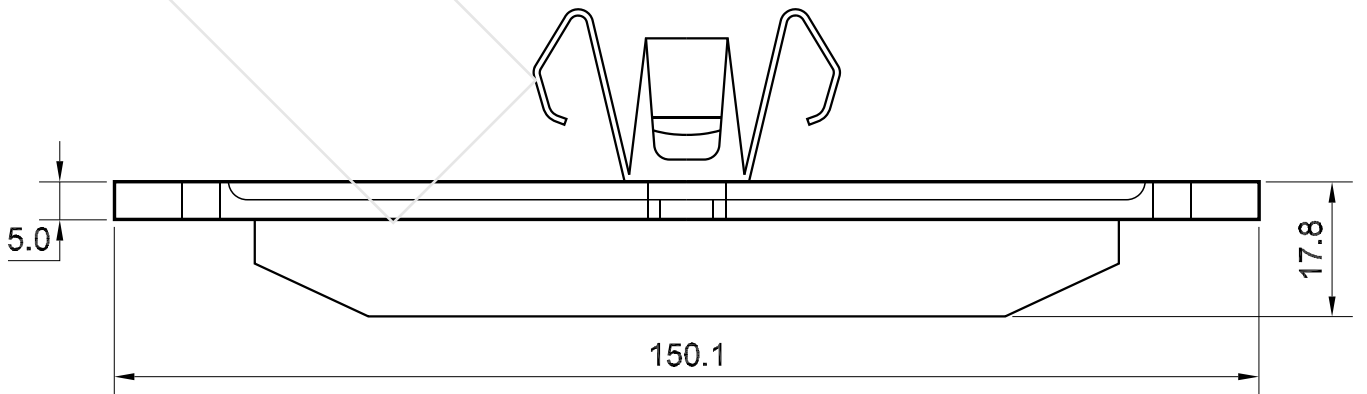
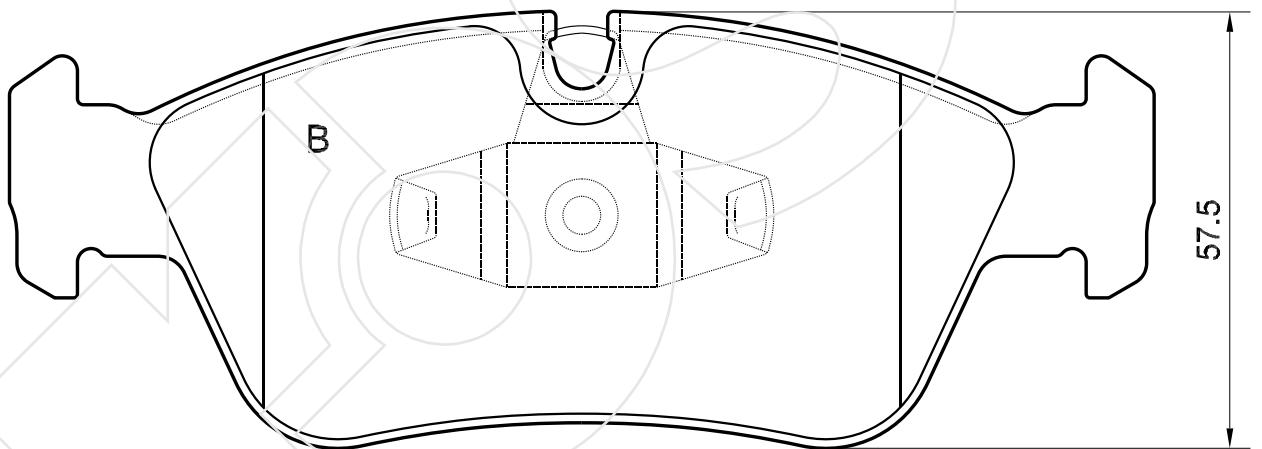
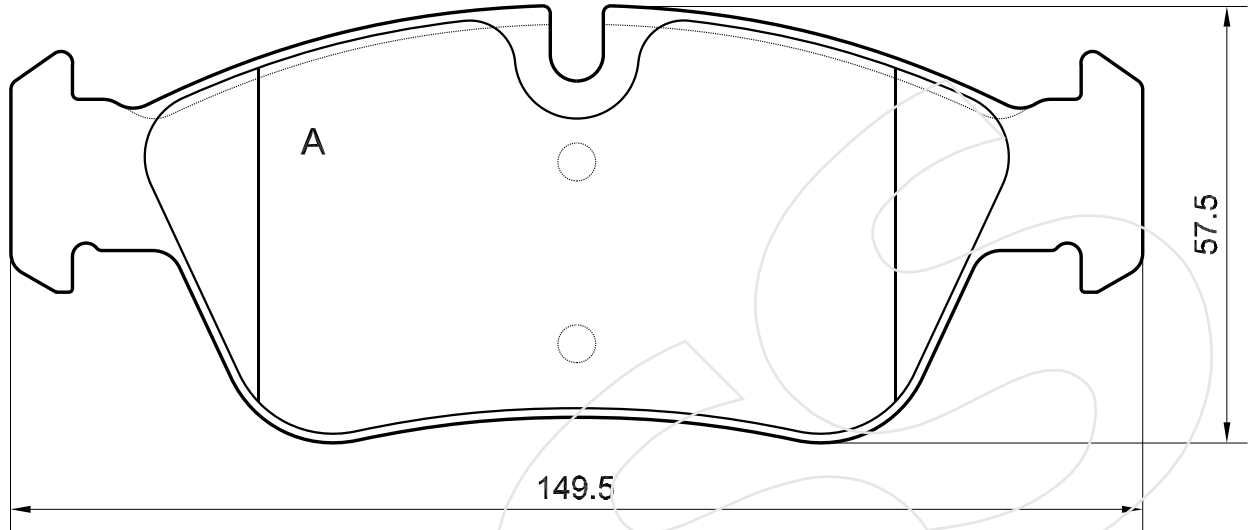


CODICE	IMPIANTO		ASSE	SCALA	APPLICAZIONI
<b>R-1192</b>	SUMITOMO		ANTERIORE	1:1	MITSUBISHI
CODICE COMPONENTI	N°	L(mm)	SERIE		
*	*	*	4 PEZZI		
*	*	*			
*	*	*			
*	*	*			
CODICE ACCESSORI	N°	L(mm)	NOTE		
*	*	*			
*	*	*			
*	*	*			
*	*	*			



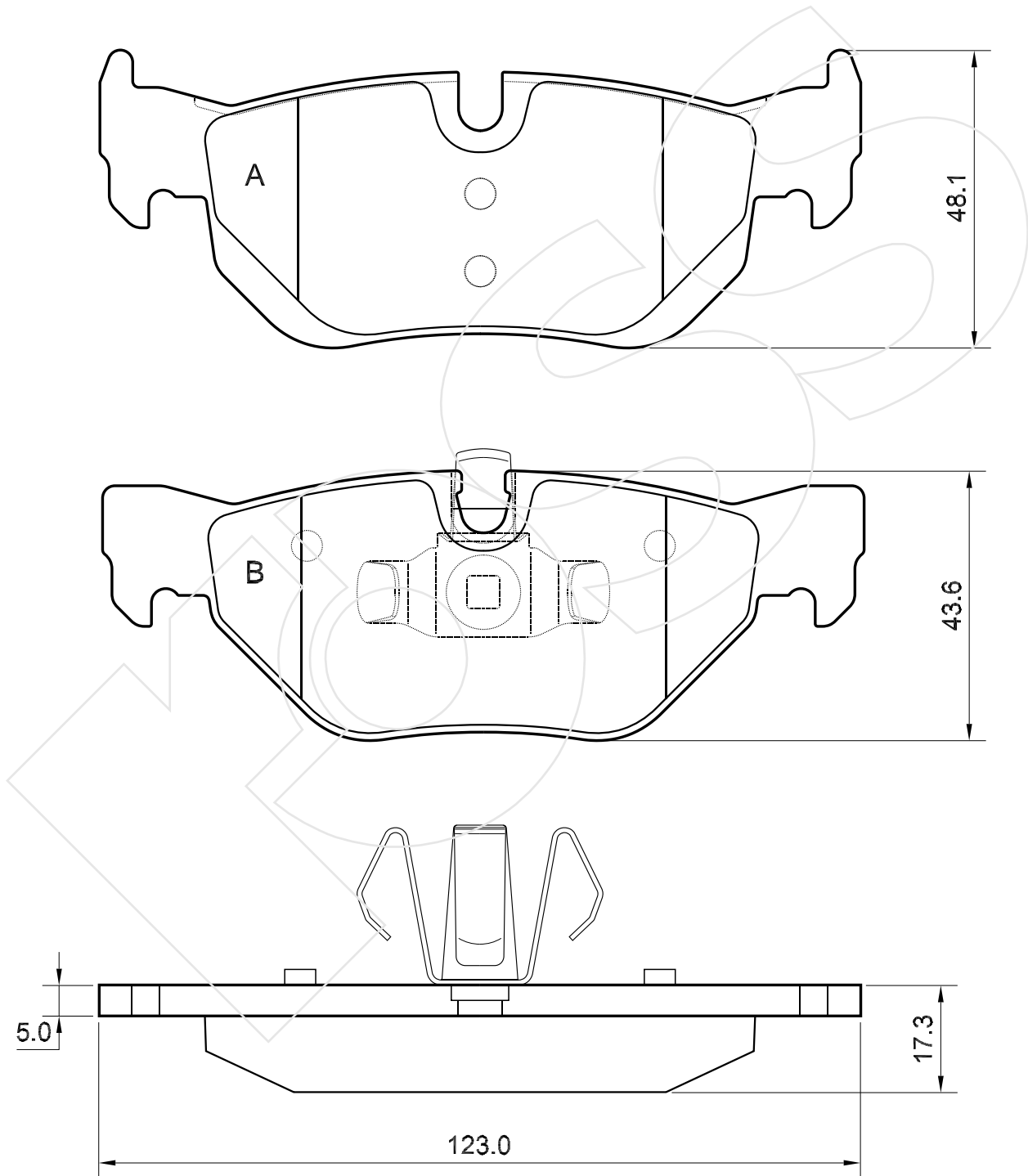
Reference in this Catalogue to other manufactures and to part numbers and other descriptions are for identification purposes only, because the above DISC BRAKE PADS are NOT ORIGINAL but with these interchangeable.

CODICE	IMPIANTO		ASSE	SCALA	APPLICAZIONI
<b>R-1193</b>	ATE		ANTERIORE	1:1	BMW
CODICE COMPONENTI	N°	L(mm)	SERIE		
*	*	*	2 PEZZI TIPO A		
M0168	2	*	2 PEZZI TIPO B		
*	*	*	*		
*	*	*	*		
CODICE ACCESSORI	N°	L(mm)	NOTE		
*	*	*			
*	*	*			
*	*	*			
*	*	*			



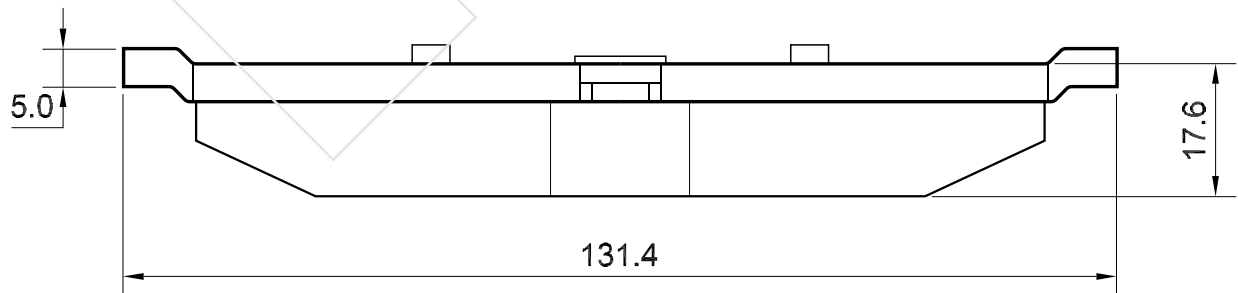
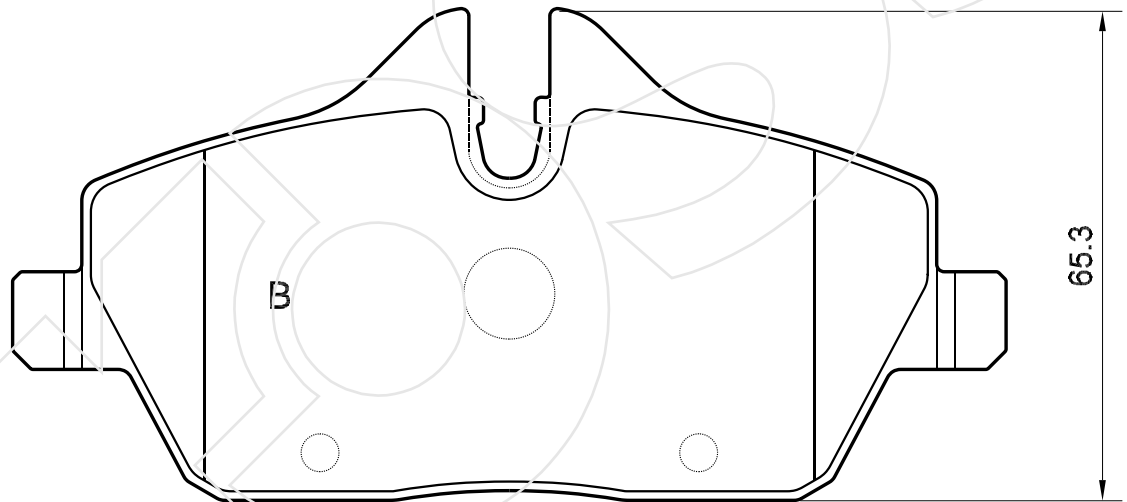
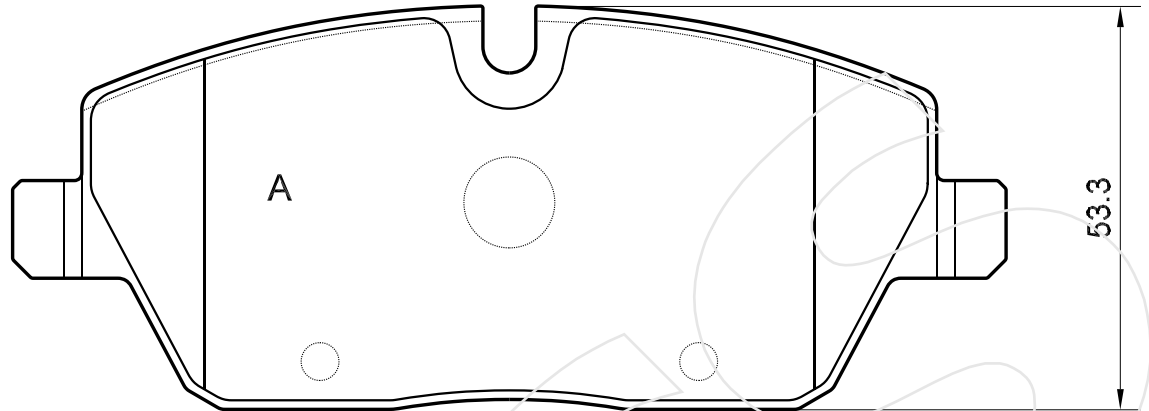
Reference in this Catalogue to other manufactures and to part numbers and other descriptions are for identification purposes only, because the above DISC BRAKE PADS are NOT ORIGINAL but with these interchangeable.

CODICE	IMPIANTO		ASSE	SCALA	APPLICAZIONI
<b>R-1194</b>	ATE		POSTERIORE	1:1	BMW
CODICE COMPONENTI	N°	L(mm)	SERIE		
*	*	*	2 PEZZI TIPO A		
M0306	2	*	2 PEZZI TIPO B		
*	*	*	*		
*	*	*	*		
CODICE ACCESSORI	N°	L(mm)	NOTE		
*	*	*			
*	*	*			
*	*	*			
*	*	*			



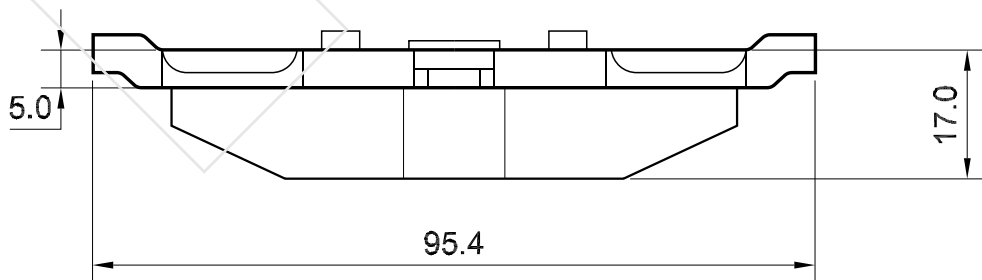
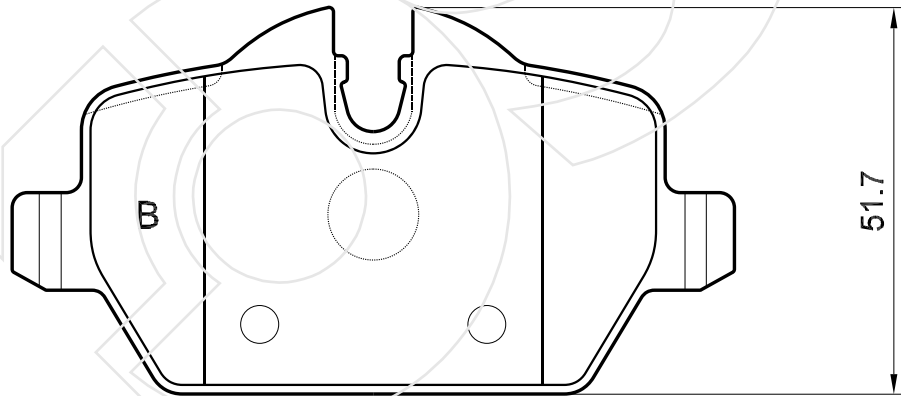
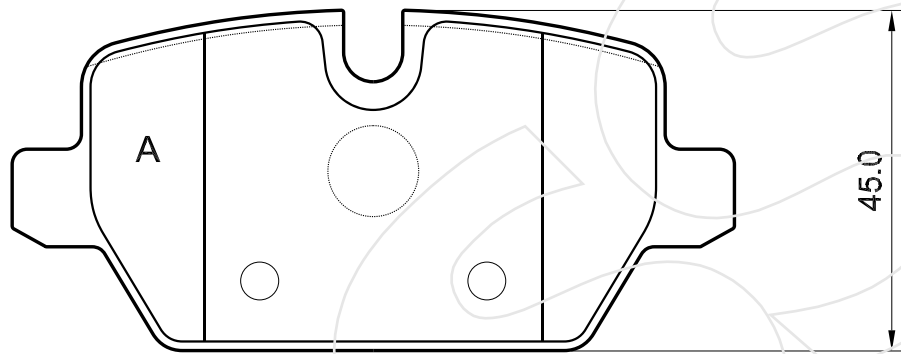
Reference in this Catalogue to other manufactures and to part numbers and other descriptions are for identification purposes only, because the above DISC BRAKE PADS are NOT ORIGINAL but with these interchangeable.

CODICE	IMPIANTO		ASSE	SCALA	APPLICAZIONI
<b>R-1195</b>	LUCAS		ANTERIORE	1:1	BMW
CODICE COMPONENTI	N°	L(mm)	SERIE		
*	*	*	2 PEZZI TIPO A		
*	*	*	2 PEZZI TIPO B		
*	*	*	*		
*	*	*	*		
CODICE ACCESSORI	N°	L(mm)	NOTE		
*	*	*			
*	*	*			
*	*	*			
*	*	*			



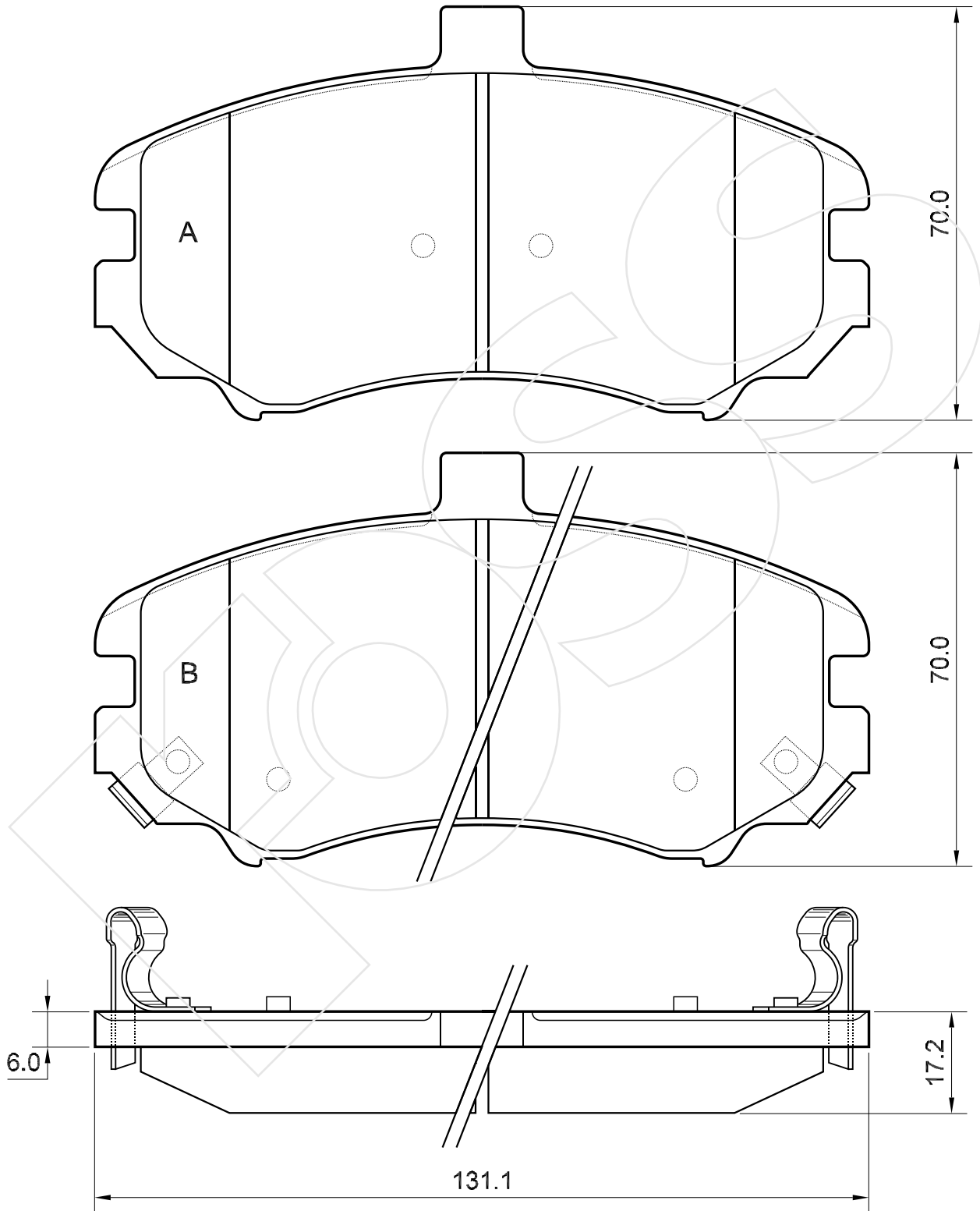
Reference in this Catalogue to other manufactures and to part numbers and other descriptions are for identification purposes only, because the above DISC BRAKE PADS are NOT ORIGINAL but with these interchangeable.

CODICE	IMPIANTO		ASSE	SCALA	APPLICAZIONI
<b>R-1196</b>	LUCAS		POSTERIORE	1:1	BMW
CODICE COMPONENTI	N°	L(mm)	SERIE		
*	*	*	2 PEZZI TIPO A		
*	*	*	2 PEZZI TIPO B		
*	*	*	*		
*	*	*	*		
CODICE ACCESSORI	N°	L(mm)	NOTE		
*	*	*			
*	*	*			
*	*	*			
*	*	*			



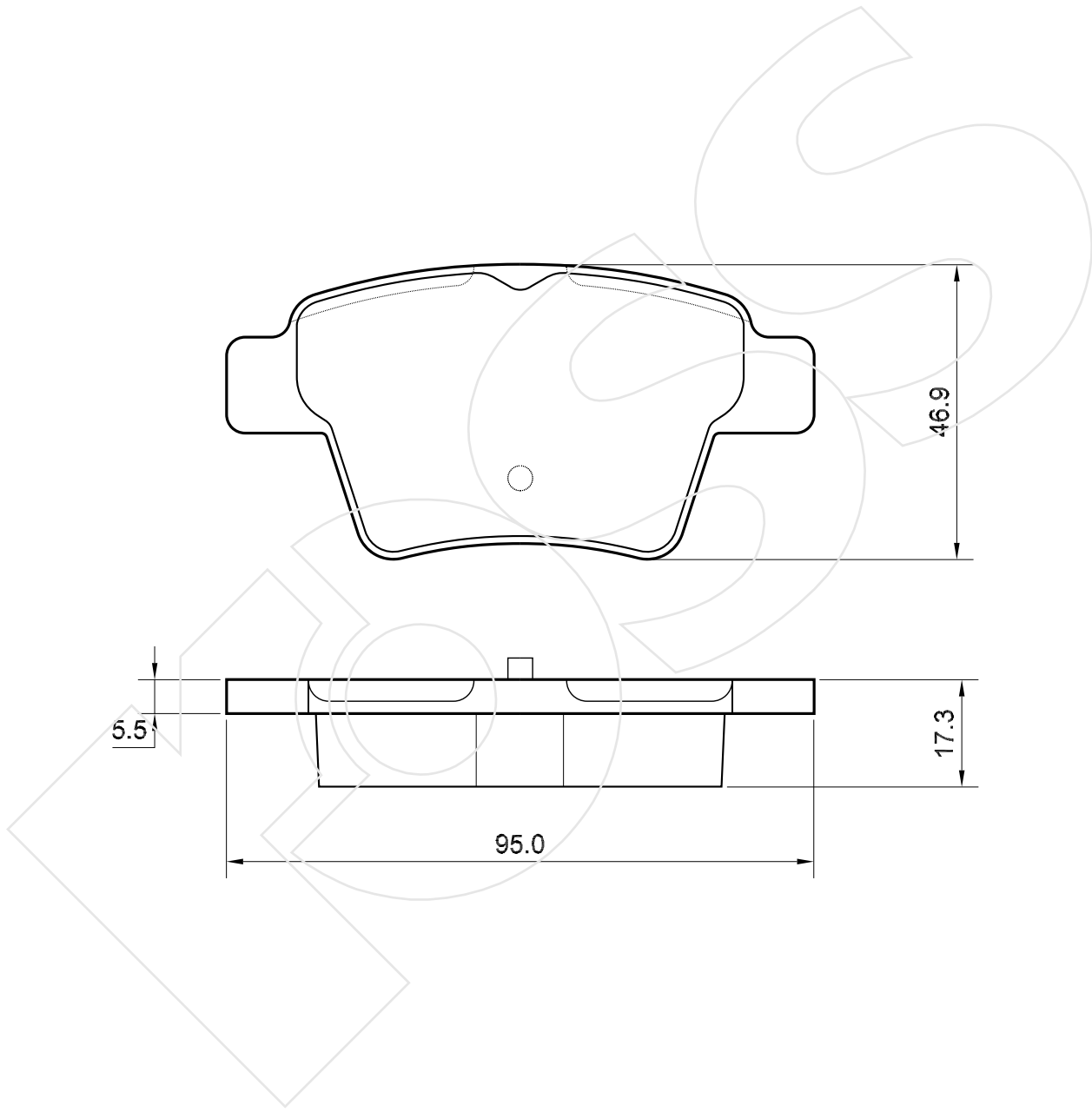
Reference in this Catalogue to other manufactures and to part numbers and other descriptions are for identification purposes only, because the above DISC BRAKE PADS are NOT ORIGINAL but with these interchangeable.

CODICE	IMPIANTO		ASSE	SCALA	APPLICAZIONI
<b>R-1197</b>	MANDO		ANTERIORE	1:1	HYUNDAI
CODICE COMPONENTI	N°	L(mm)	SERIE		
*	*	*	2 PEZZI TIPO A		
M0074	2	*	2 PEZZI TIPO B		
*	*	*	*		
*	*	*	*		
CODICE ACCESSORI	N°	L(mm)	NOTE		
*	*	*			
*	*	*			
*	*	*			
*	*	*			



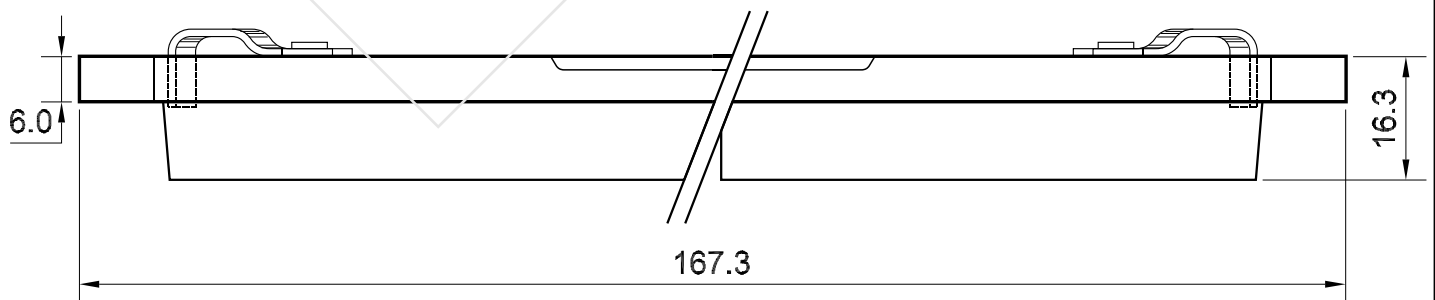
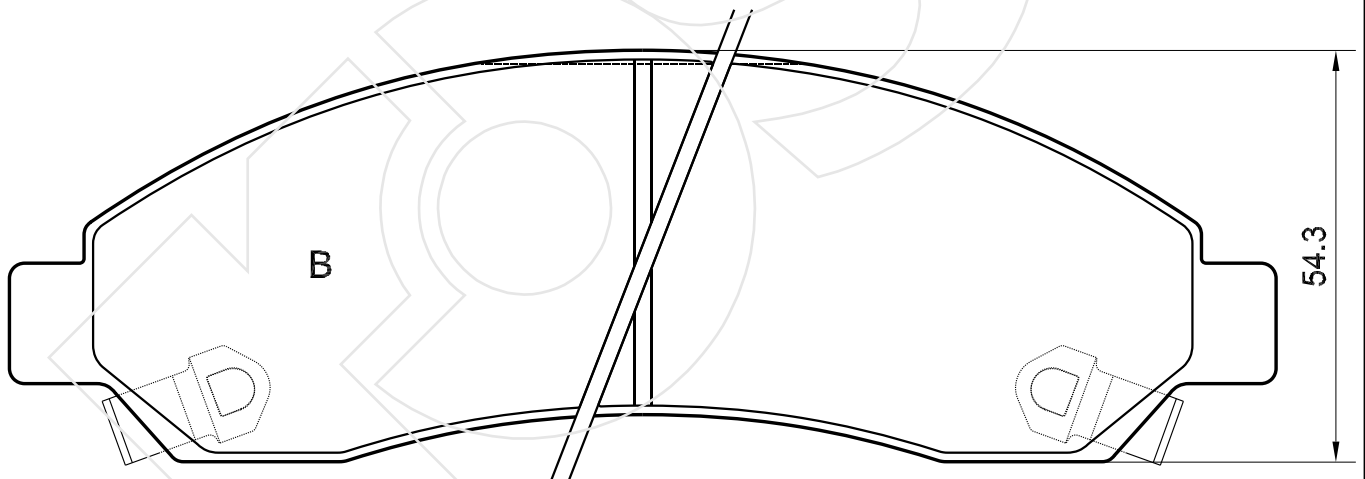
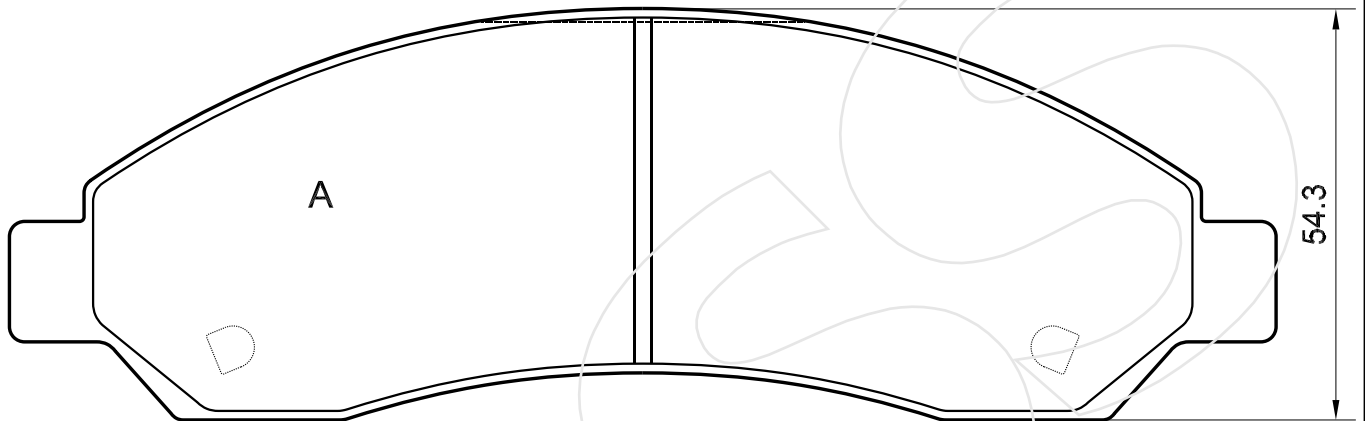
Reference in this Catalogue to other manufactures and to part numbers and other descriptions are for identification purposes only, because the above DISC BRAKE PADS are NOT ORIGINAL but with these interchangeable.

CODICE	IMPIANTO		ASSE	SCALA	APPLICAZIONI
<b>R-1198</b>	BOSCH		POSTERIORE	1:1	CITROEN
CODICE COMPONENTI	N°	L(mm)	SERIE		
*	*	*	4 PEZZI		
*	*	*	*		
*	*	*	*		
*	*	*	*		
CODICE ACCESSORI	N°	L(mm)	NOTE		
*	*	*			
*	*	*			
*	*	*			
*	*	*			



Reference in this Catalogue to other manufactures and to part numbers and other descriptions are for identification purposes only, because the above DISC BRAKE PADS are NOT ORIGINAL but with these interchangeable.

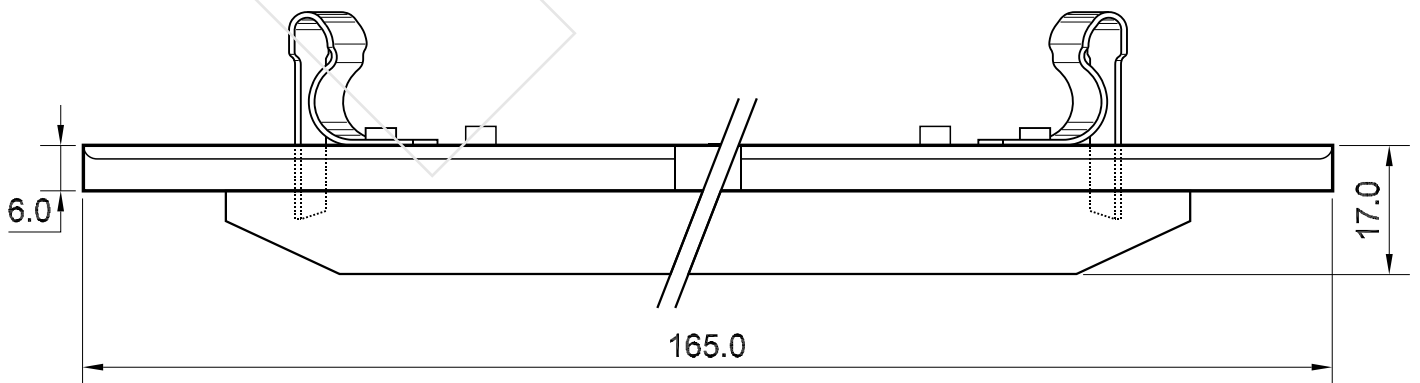
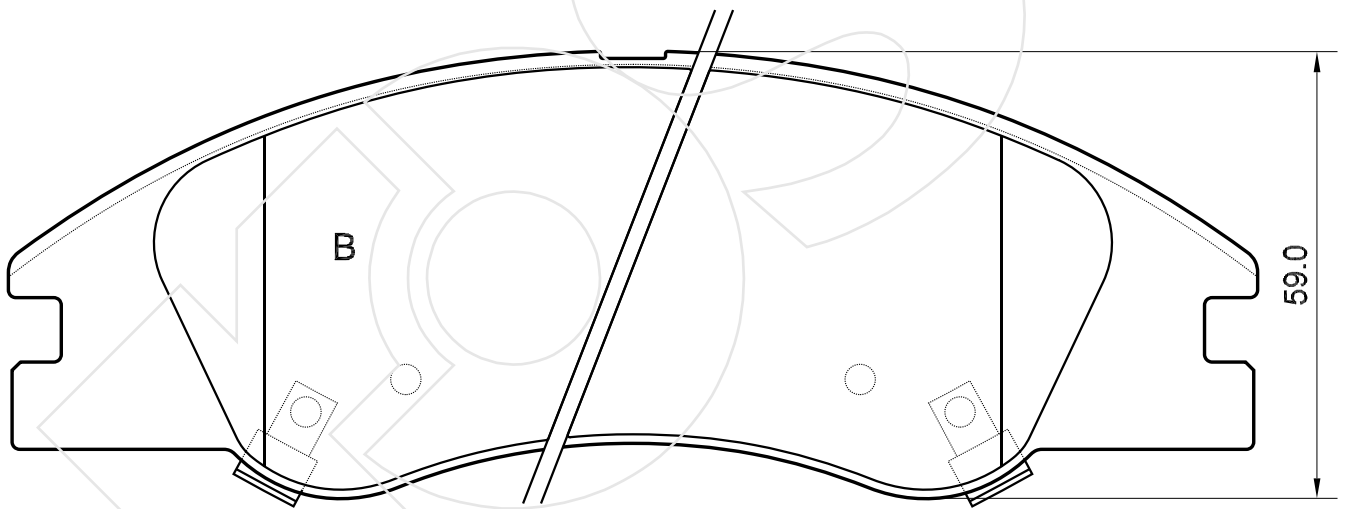
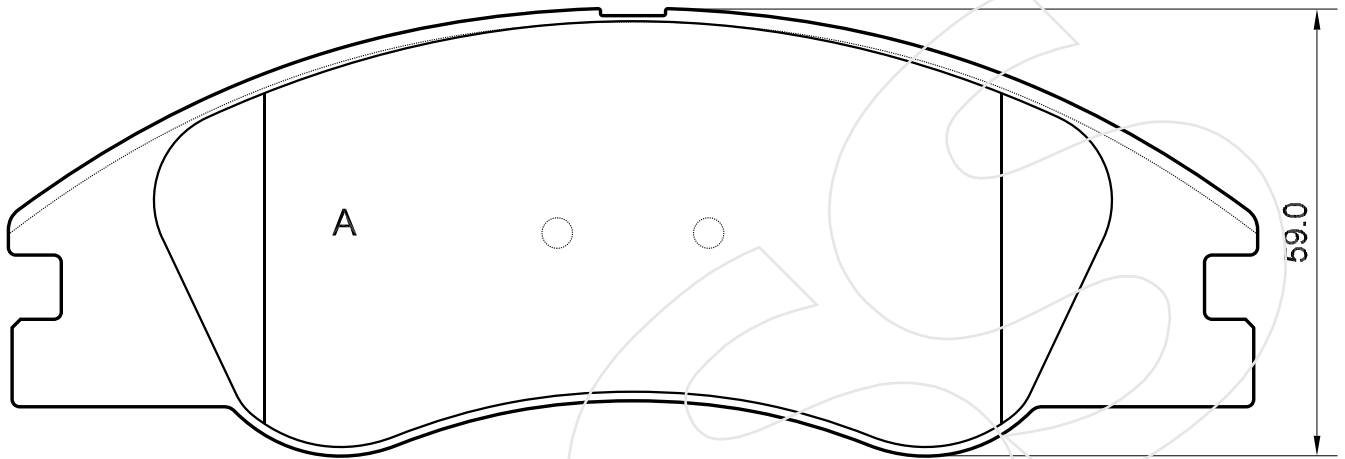
CODICE	IMPIANTO		ASSE	SCALA	APPLICAZIONI
<b>R-1199</b>	*		ANTERIORE	1:1	ISUZU
CODICE COMPONENTI	N°	L(mm)	SERIE		
*	*	*	2 PEZZI TIPO A		
M0260	2	*	2 PEZZI TIPO B		
*	*	*	*		
*	*	*	*		
CODICE ACCESSORI	N°	L(mm)	NOTE		
*	*	*			
*	*	*			
*	*	*			
*	*	*			



Reference in this Catalogue to other manufactures and to part numbers and other descriptions are for identification purposes only, because the above DISC BRAKE PADS are NOT ORIGINAL but with these interchangeable.

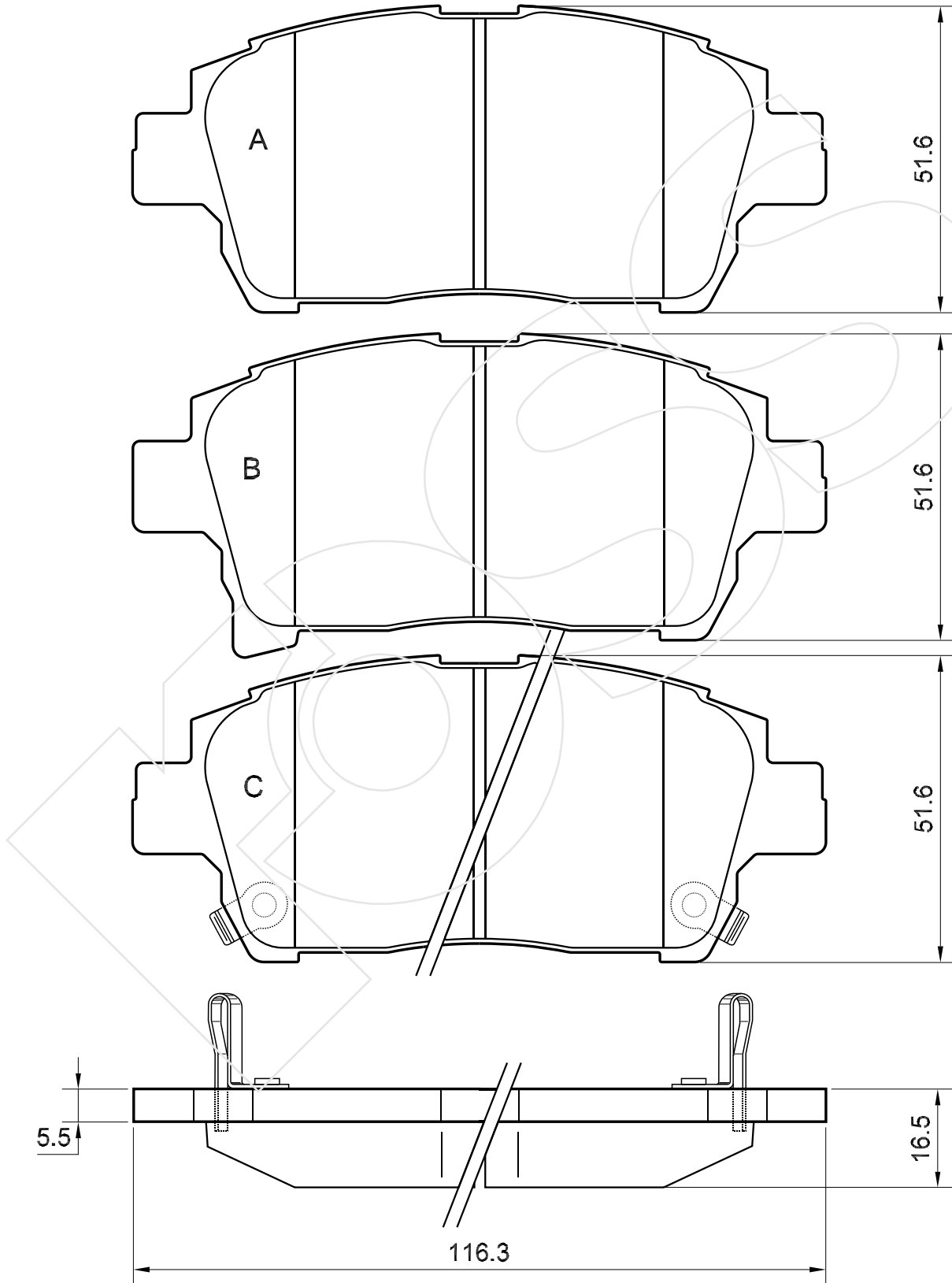


CODICE	IMPIANTO		ASSE	SCALA	APPLICAZIONI
<b>R-1200</b>	MANDO		ANTERIORE	1:1	KIA
CODICE COMPONENTI	N°	L(mm)	SERIE		
*	*	*	2 PEZZI TIPO A		
M0074	2	*	2 PEZZI TIPO B		
*	*	*	*		
*	*	*	*		
CODICE ACCESSORI	N°	L(mm)	NOTE		
*	*	*			
*	*	*			
*	*	*			
*	*	*			



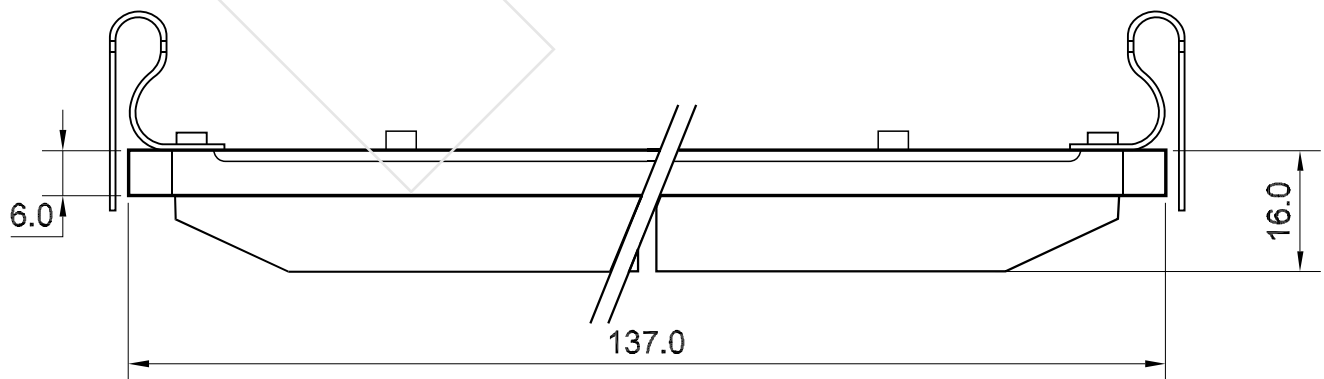
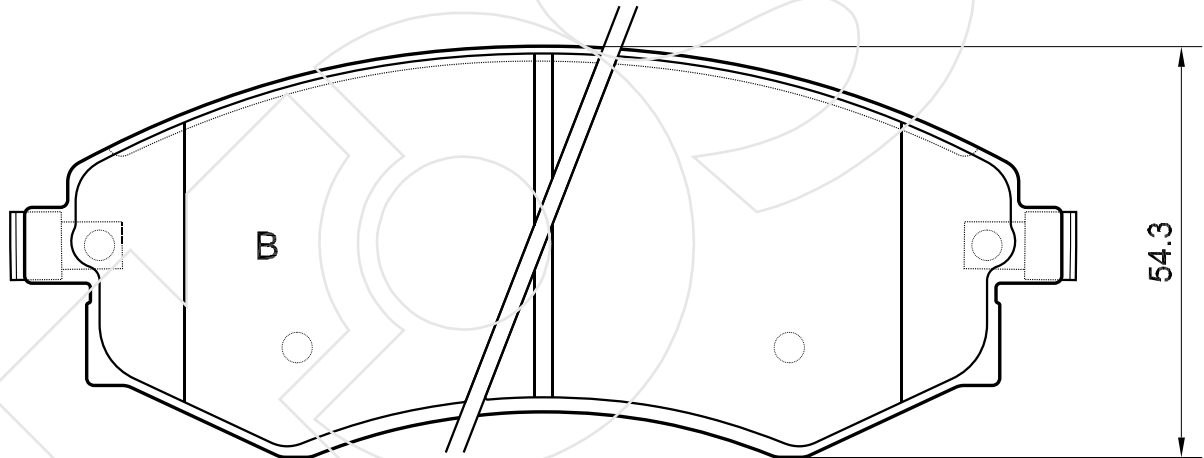
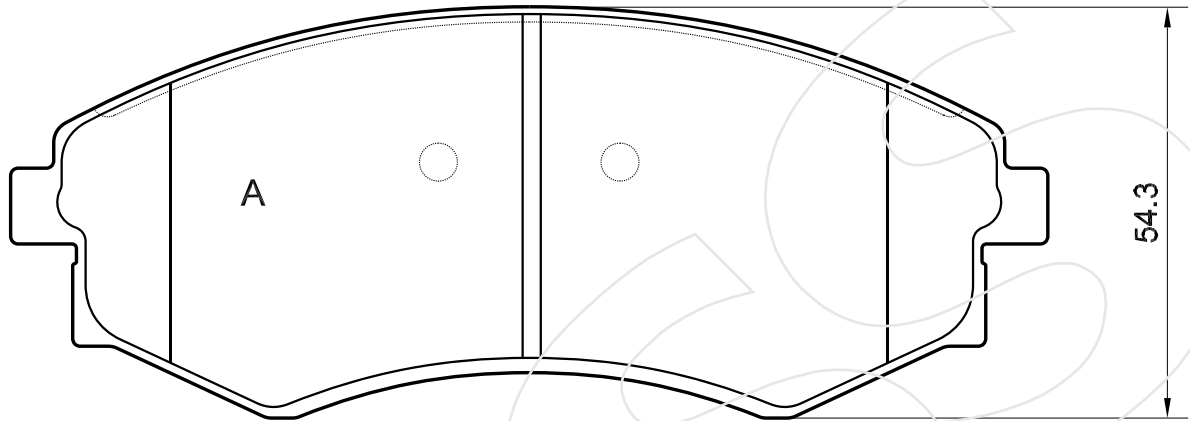
Reference in this Catalogue to other manufactures and to part numbers and other descriptions are for identification purposes only, because the above DISC BRAKE PADS are NOT ORIGINAL but with these interchangeable.

CODICE	IMPIANTO	ASSE	SCALA	APPLICAZIONI
<b>R-1201</b>	AKEBONO	ANTERIORE	100%	TOYOTA
CODICE COMPONENTI	N°	L(mm)	SERIE	
*	*	*	1 PEZZO TIPO A	
*	*	*	1 PEZZO TIPO B	
M0174	2	*	2 PEZZI TIPO C	
*	*	*	*	
CODICE ACCESSORI	N°	L(mm)	NOTE	
*	*	*		
*	*	*		
*	*	*		
*	*	*		



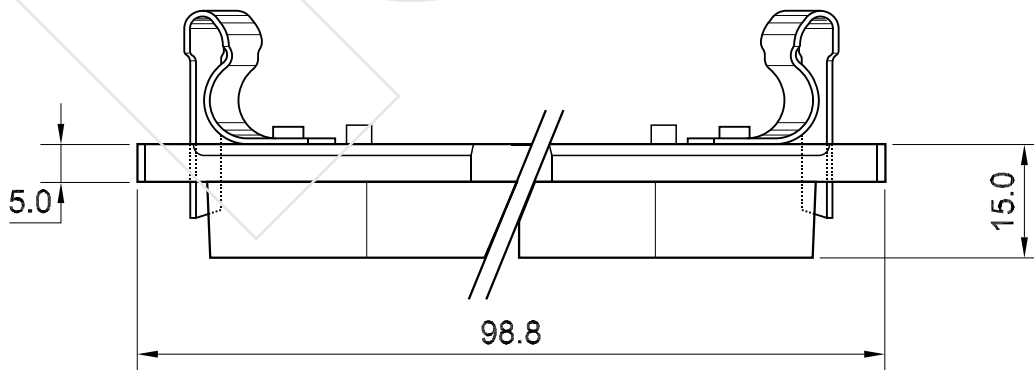
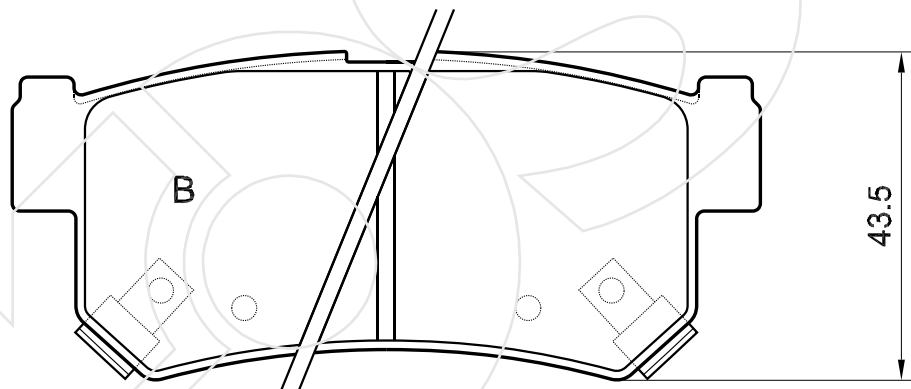
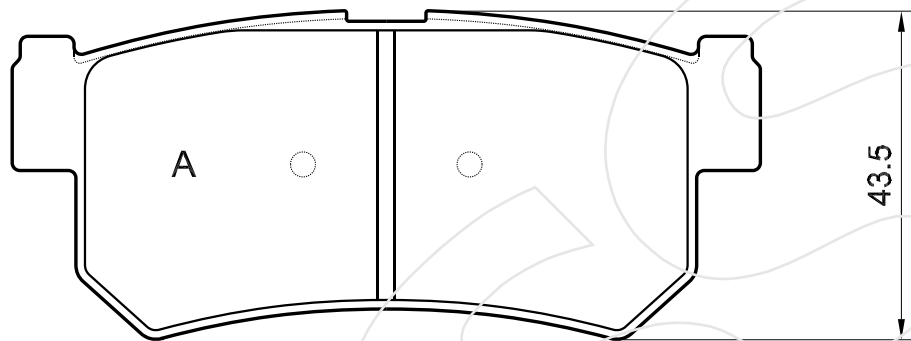
Reference in this Catalogue to other manufactures and to part numbers and other descriptions are for identification purposes only, because the above DISC BRAKE PADS are NOT ORIGINAL but with these interchangeable.

CODICE	IMPIANTO		ASSE	SCALA	APPLICAZIONI
<b>R-1202</b>	AKEBONO		ANTERIORE	1:1	SSANGYONG
CODICE COMPONENTI	N°	L(mm)	SERIE		
*	*	*	2 PEZZI TIPO A		
M0074	2	*	2 PEZZI TIPO B		
*	*	*	*		
*	*	*	*		
CODICE ACCESSORI	N°	L(mm)	NOTE		
*	*	*			
*	*	*			
*	*	*			
*	*	*			



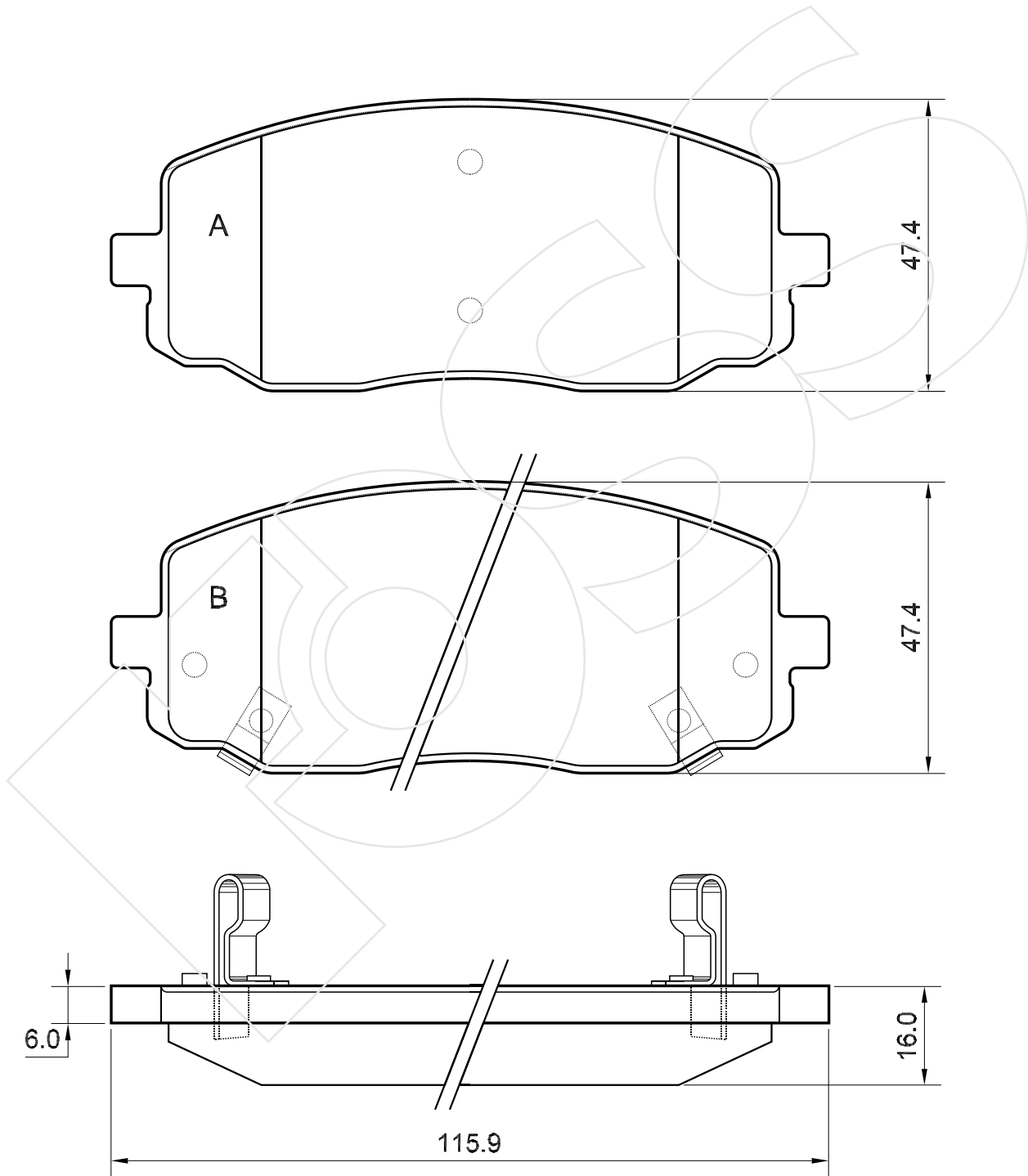
Reference in this Catalogue to other manufactures and to part numbers and other descriptions are for identification purposes only, because the above DISC BRAKE PADS are NOT ORIGINAL but with these interchangeable.

CODICE	IMPIANTO		ASSE	SCALA	APPLICAZIONI
<b>R-1203</b>	MANDO		POSTERIORE	1:1	SSANGYONG
CODICE COMPONENTI	N°	L(mm)	SERIE		
*	*	*	2 PEZZI TIPO A		
M0074 #	2	*	2 PEZZI TIPO B		
*	*	*	*		
*	*	*	*		
CODICE ACCESSORI	N°	L(mm)	NOTE		
*	*	*			
*	*	*			
*	*	*			
*	*	*			



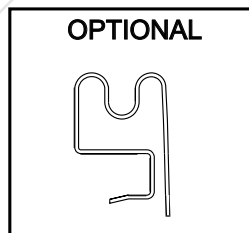
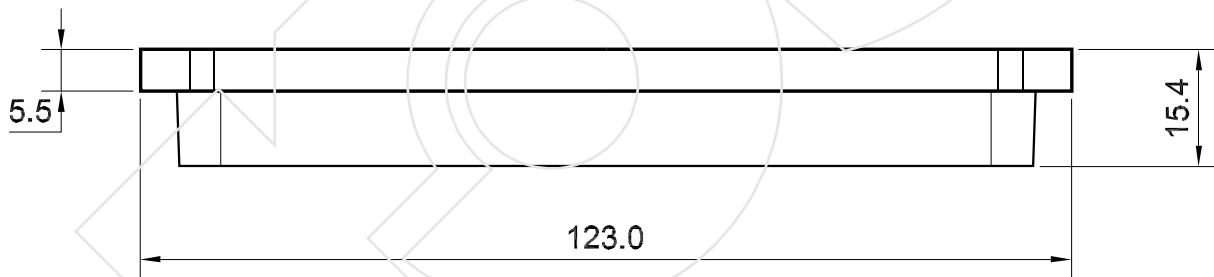
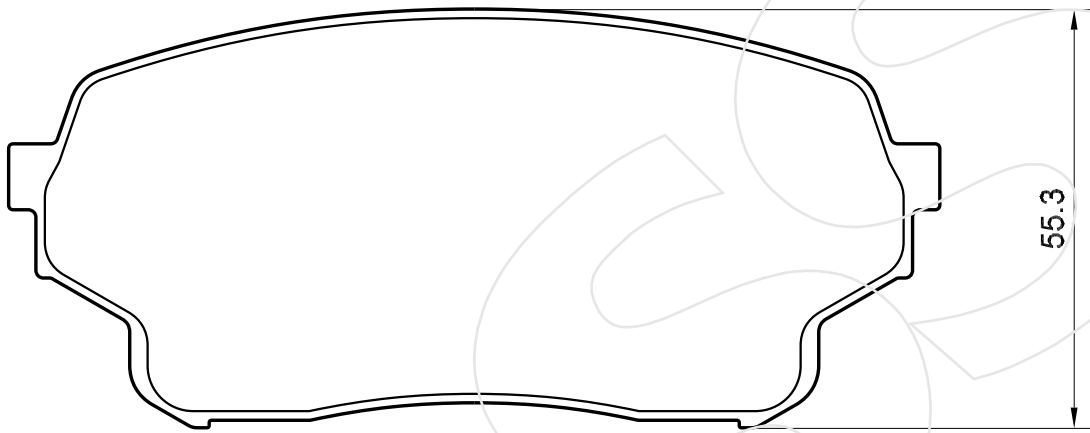
Reference in this Catalogue to other manufactures and to part numbers and other descriptions are for identification purposes only, because the above DISC BRAKE PADS are NOT ORIGINAL but with these interchangeable.

CODICE	IMPIANTO		ASSE	SCALA	APPLICAZIONI
<b>R-1204</b>	*		ANTERIORE	1:1	KIA
CODICE COMPONENTI	N°	L(mm)	SERIE		
*	*	*	2 PEZZI TIPO A		
M0069 #	2	*	2 PEZZI TIPO B		
*	*	*	*		
*	*	*	*		
CODICE ACCESSORI	N°	L(mm)	NOTE		
*	*	*			
*	*	*			
*	*	*			
*	*	*			



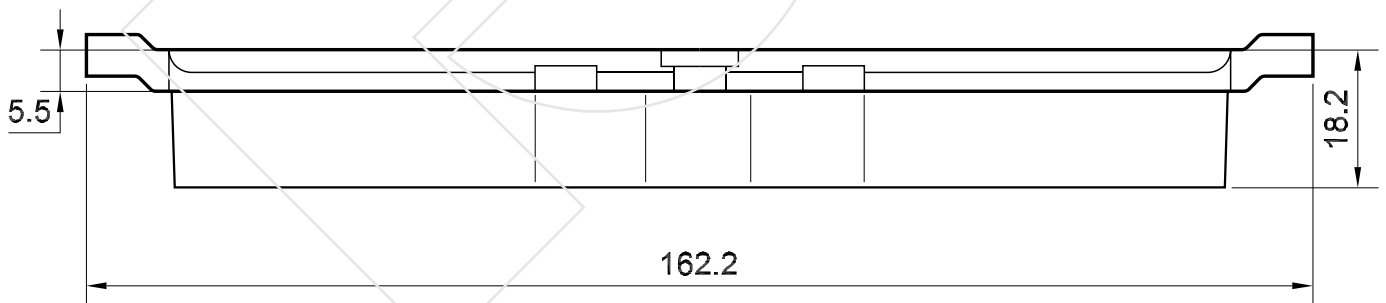
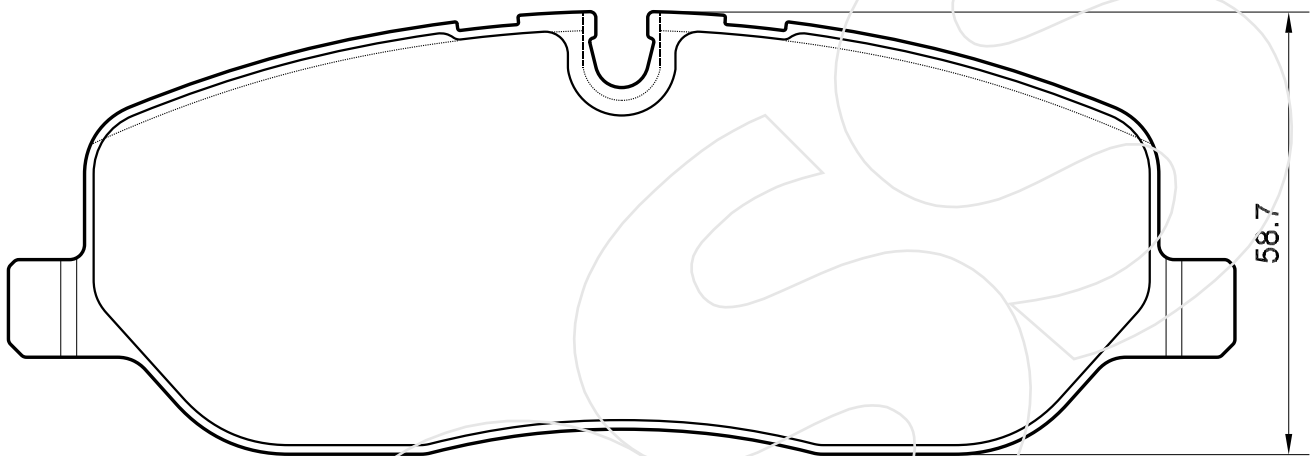
Reference in this Catalogue to other manufactures and to part numbers and other descriptions are for identification purposes only, because the above DISC BRAKE PADS are NOT ORIGINAL but with these interchangeable.

CODICE	IMPIANTO		ASSE	SCALA	APPLICAZIONI
<b>R-1205</b>	AKEBONO		ANTERIORE	1:1	SUZUKI
CODICE COMPONENTI	N°	L(mm)	SERIE		
*	*	*	4 PEZZI		
*	*	*			
*	*	*			
*	*	*			
OPTIONAL	N°	L(mm)	NOTE		
M0141	4	*			
*	*	*			
*	*	*			
*	*	*			



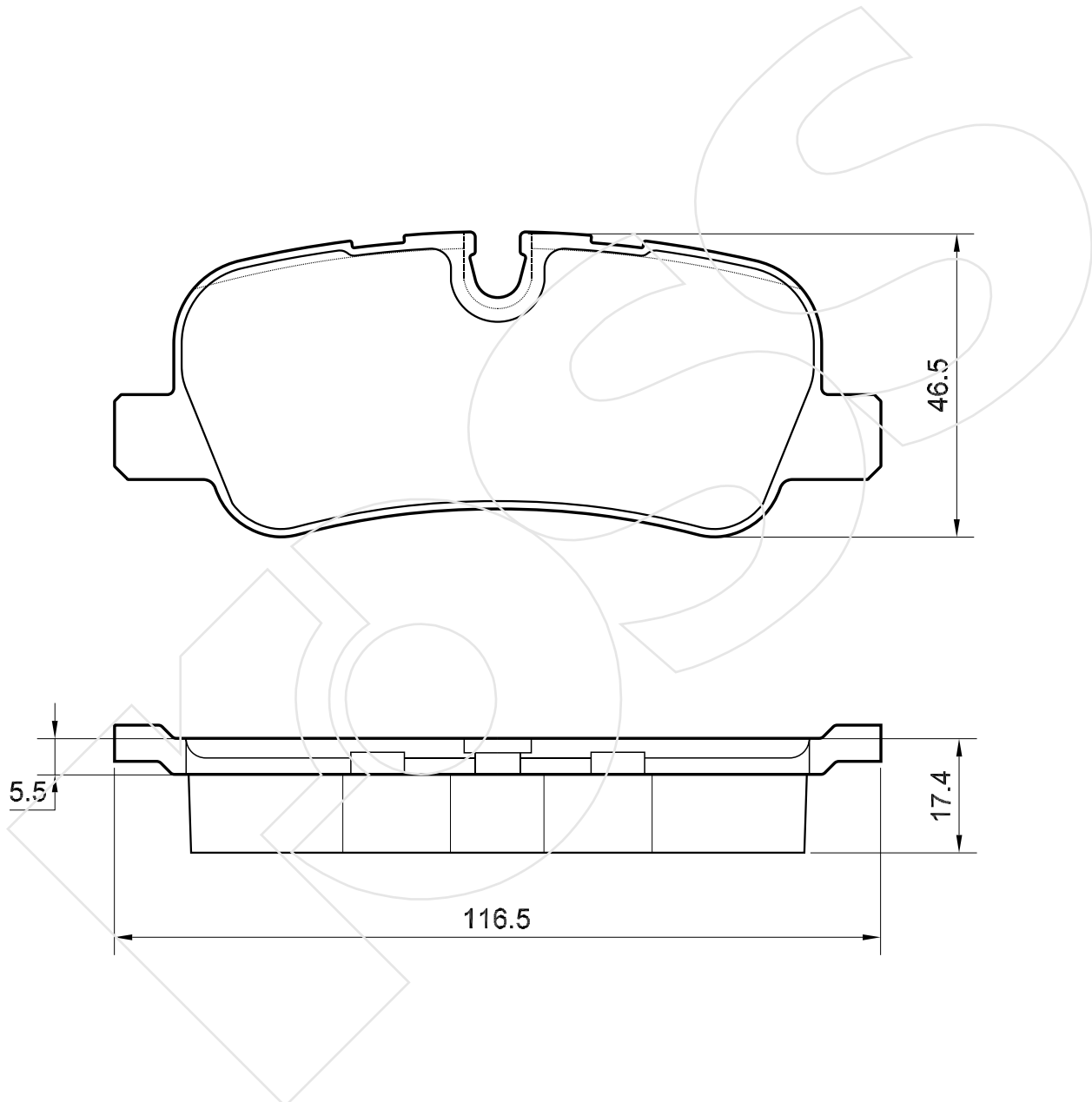
Reference in this Catalogue to other manufactures and to part numbers and other descriptions are for identification purposes only, because the above DISC BRAKE PADS are NOT ORIGINAL but with these interchangeable.

CODICE	IMPIANTO		ASSE	SCALA	APPLICAZIONI
<b>R-1206</b>	LUCAS		ANTERIORE	1:1	LAND ROVER
CODICE COMPONENTI	N°	L(mm)	SERIE		
*	*	*	4 PEZZI		
*	*	*			
*	*	*			
*	*	*			
CODICE ACCESSORI	N°	L(mm)	NOTE		
*	*	*			
*	*	*			
*	*	*			
*	*	*			



Reference in this Catalogue to other manufactures and to part numbers and other descriptions are for identification purposes only, because the above DISC BRAKE PADS are NOT ORIGINAL but with these interchangeable.

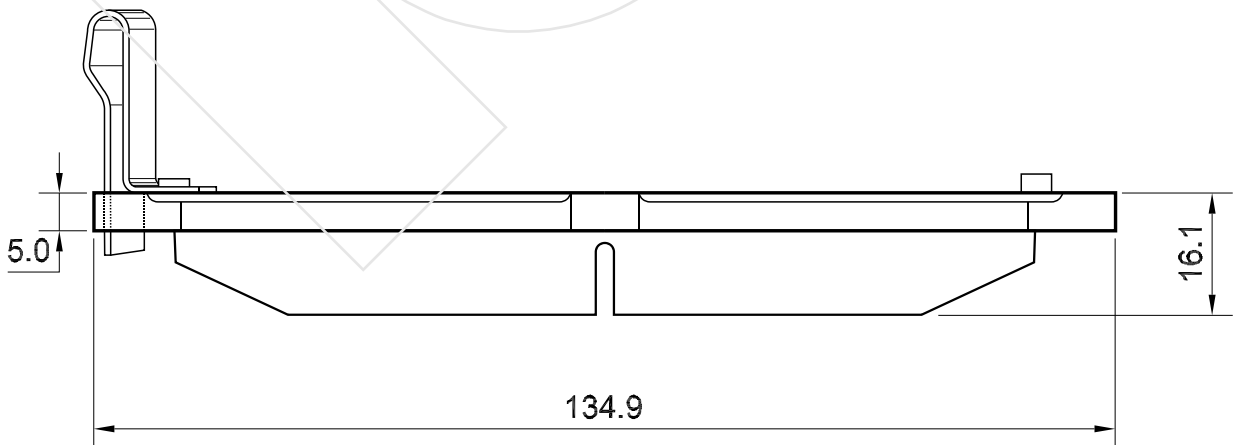
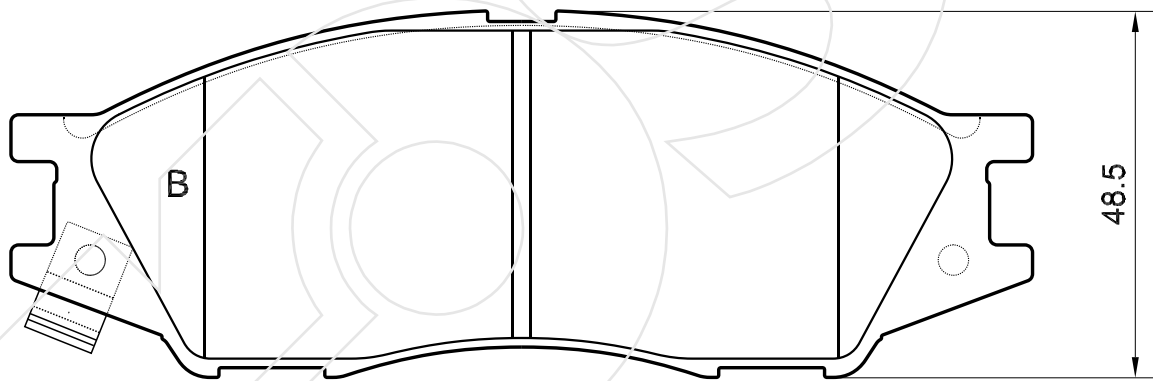
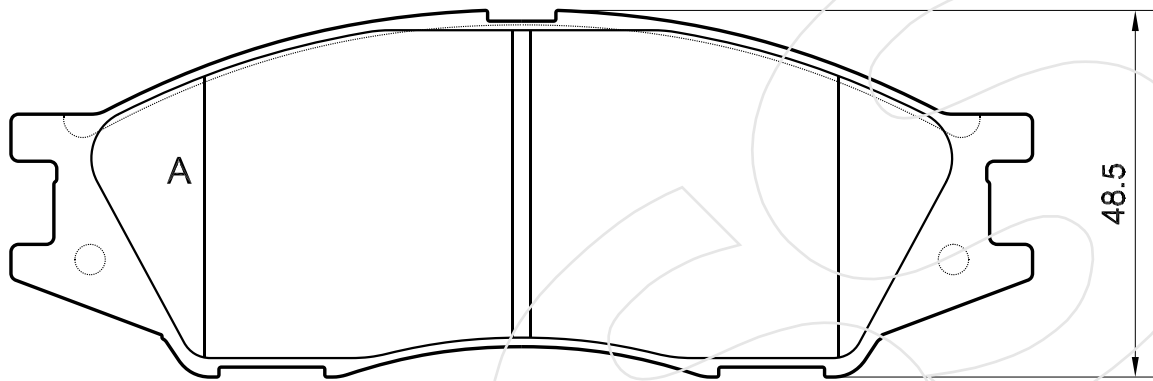
CODICE	IMPIANTO		ASSE	SCALA	APPLICAZIONI
<b>R-1207</b>	LUCAS		POSTERIORE	1:1	LAND ROVER
CODICE COMPONENTI	N°	L(mm)	SERIE		
*	*	*	4 PEZZI		
*	*	*			
*	*	*			
*	*	*			
CODICE ACCESSORI	N°	L(mm)	NOTE		
*	*	*			
*	*	*			
*	*	*			
*	*	*			



Reference in this Catalogue to other manufactures and to part numbers and other descriptions are for identification purposes only, because the above DISC BRAKE PADS are NOT ORIGINAL but with these interchangeable.

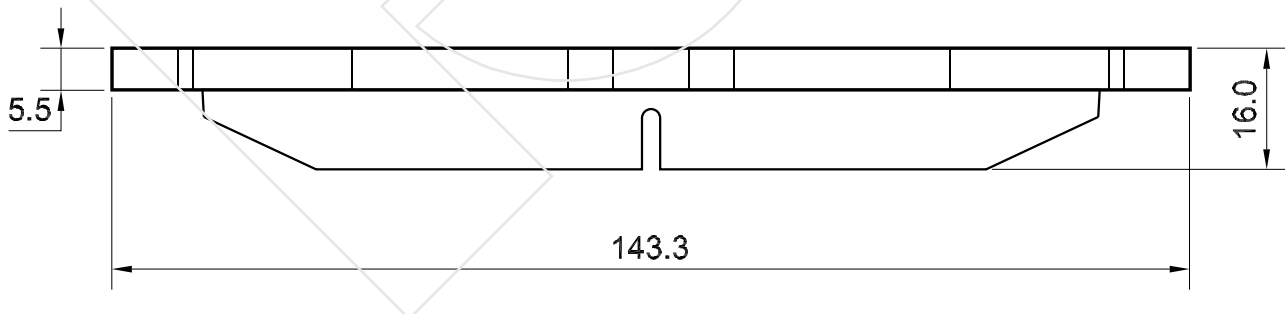
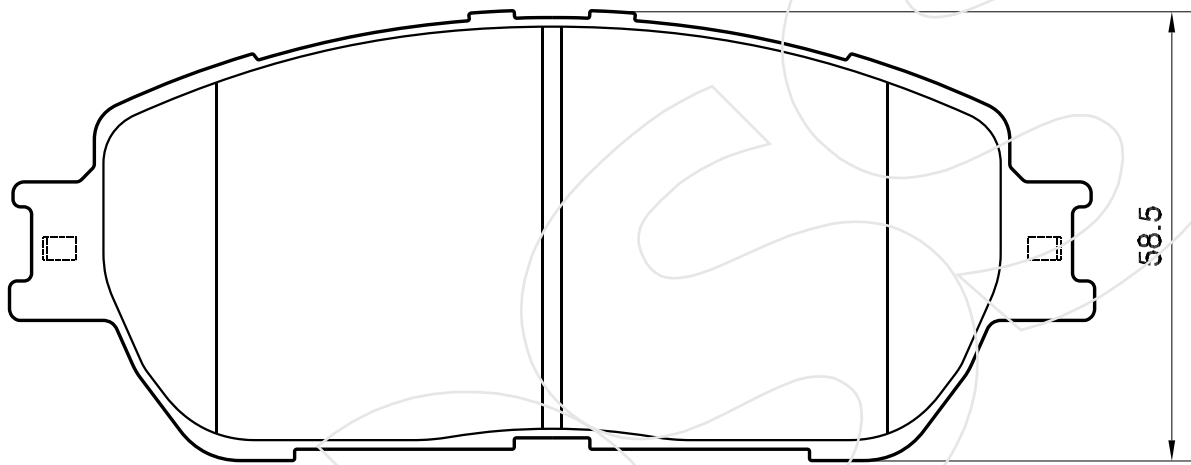


CODICE	IMPIANTO		ASSE	SCALA	APPLICAZIONI
<b>R-1208</b>	AKEBONO		ANTERIORE	1:1	NISSAN
CODICE COMPONENTI	N°	L(mm)	SERIE		
*	*	*	3 PEZZI TIPO A		
M0000 #	1	*	1 PEZZO TIPO B		
*	*	*	*		
*	*	*	*		
*	*	*	*		
CODICE ACCESSORI	N°	L(mm)	NOTE		
*	*	*			
*	*	*			
*	*	*			
*	*	*			



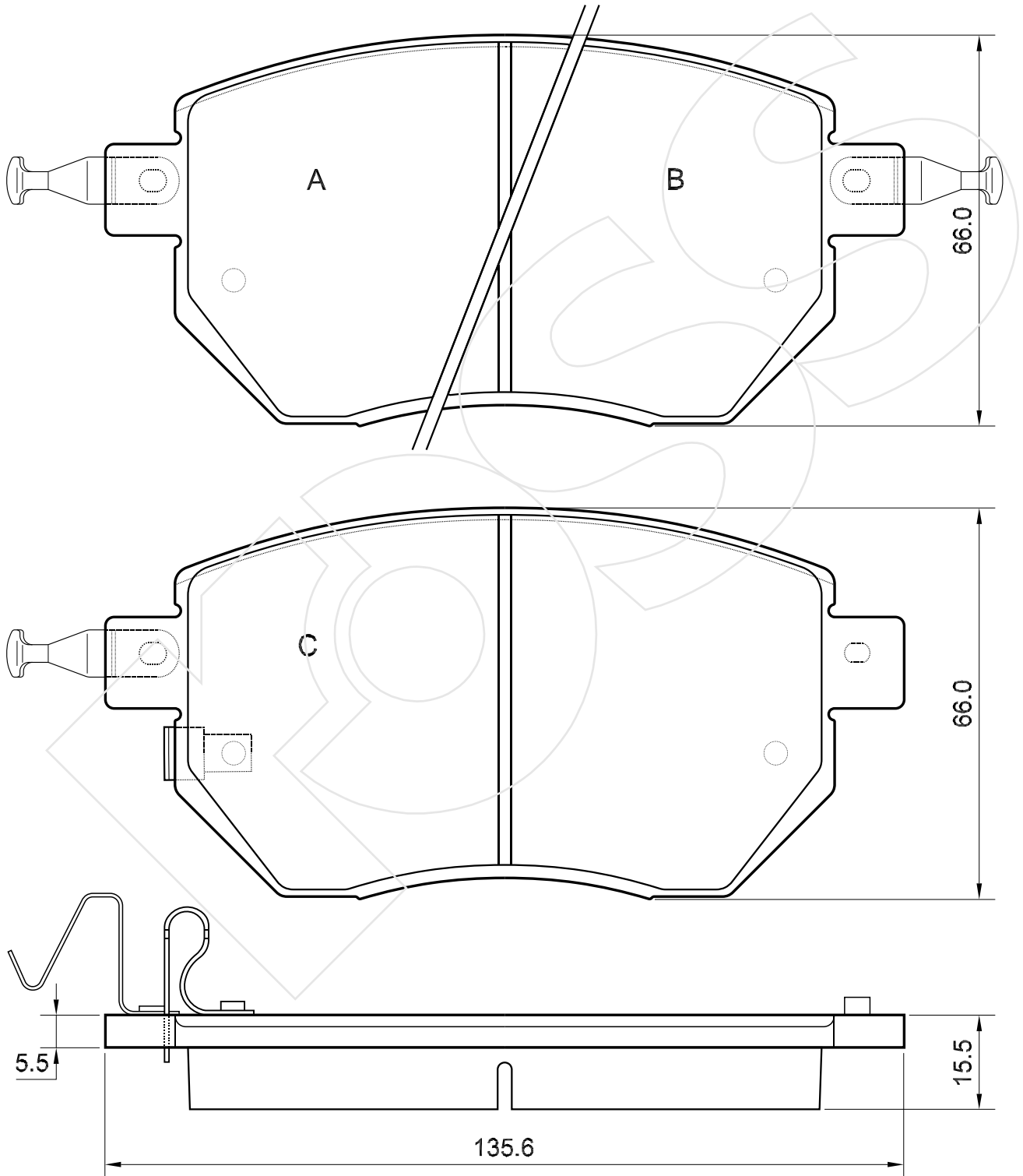
Reference in this Catalogue to other manufactures and to part numbers and other descriptions are for identification purposes only, because the above DISC BRAKE PADS are NOT ORIGINAL but with these interchangeable.

CODICE	IMPIANTO		ASSE	SCALA	APPLICAZIONI
<b>R-1209</b>	AKEBONO		ANTERIORE	1:1	TOYOTA
CODICE COMPONENTI	N°	L(mm)	SERIE		
*	*	*	4 PEZZI		
*	*	*			
*	*	*			
*	*	*			
CODICE ACCESSORI	N°	L(mm)	NOTE		
*	*	*			
*	*	*			
*	*	*			
*	*	*			



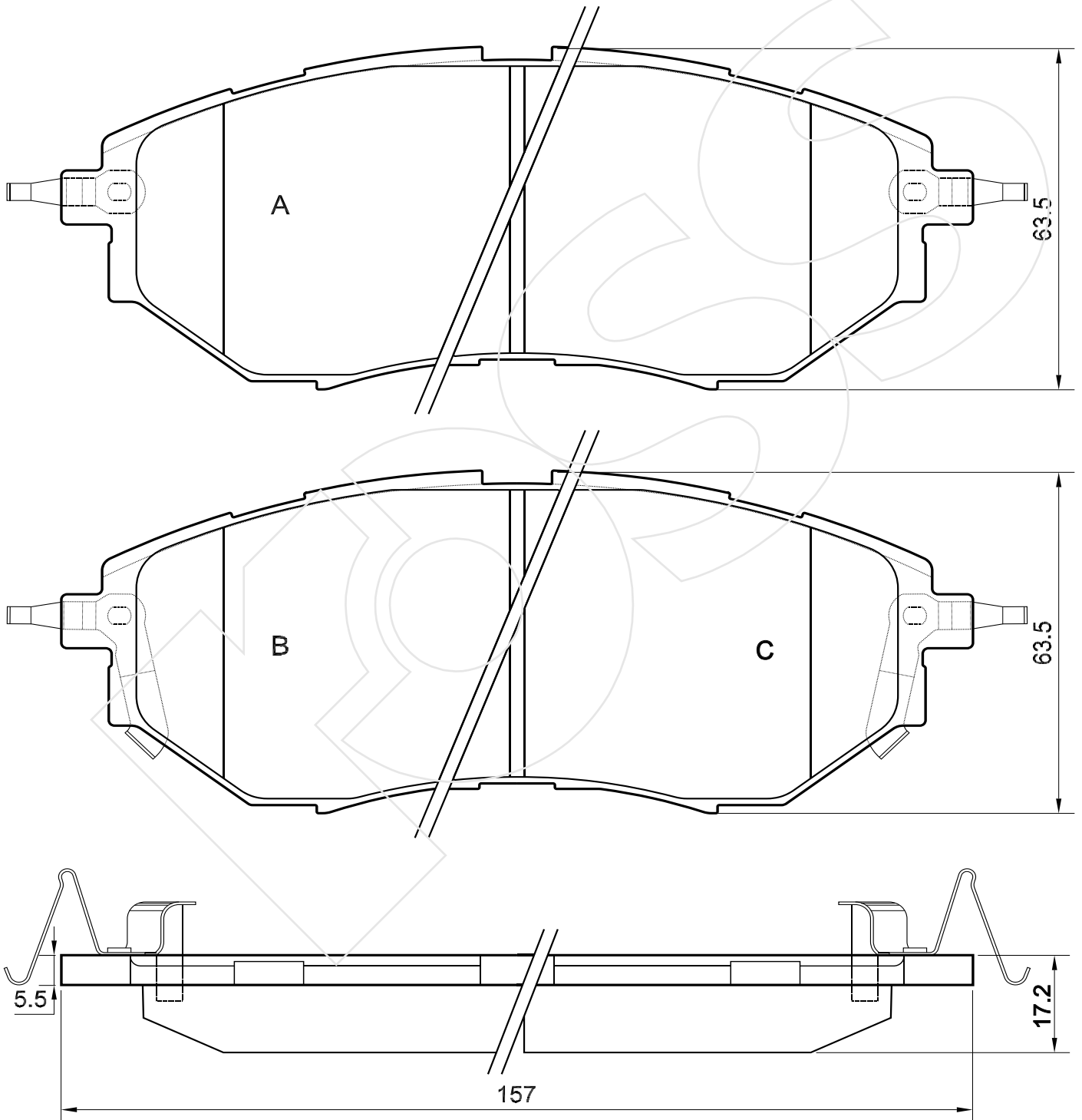
Reference in this Catalogue to other manufactures and to part numbers and other descriptions are for identification purposes only, because the above DISC BRAKE PADS are NOT ORIGINAL but with these interchangeable.

CODICE	IMPIANTO		ASSE	SCALA	APPLICAZIONI
<b>R-1210</b>	*		ANTERIORE	1:1	NISSAN
CODICE COMPONENTI	N°	L(mm)	SERIE		
M0155	1	*	1 PEZZO TIPO A		
M0155	2	*	2 PEZZI TIPO B		
M0155+M0074 #	1+1	*	1 PEZZO TIPO C		
*	*	*	*		
CODICE ACCESSORI	N°	L(mm)	NOTE		
*	*	*			
*	*	*			
*	*	*			
*	*	*			



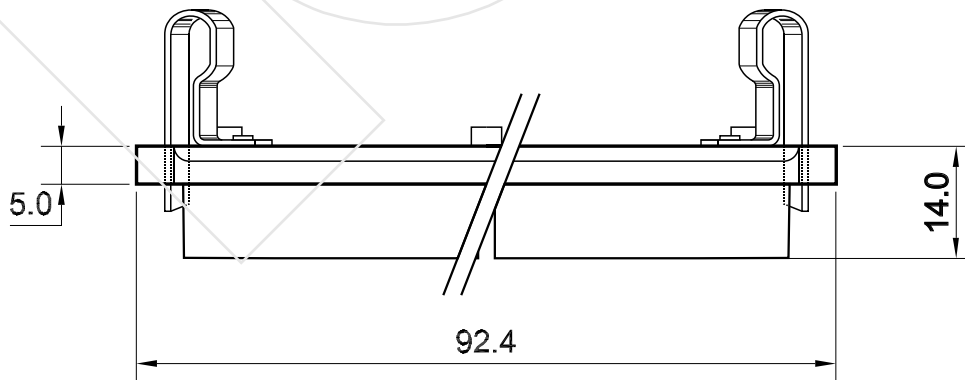
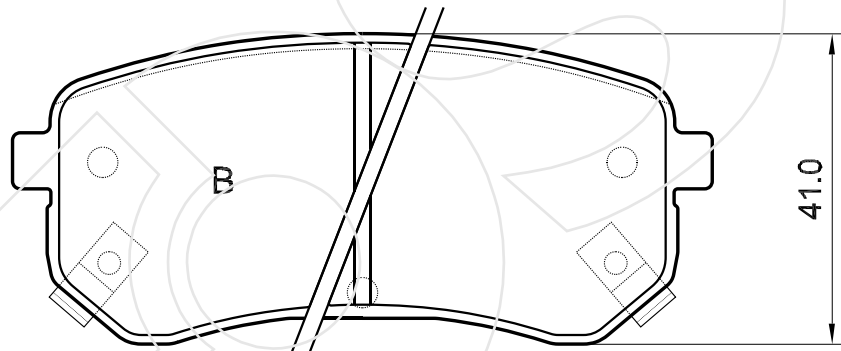
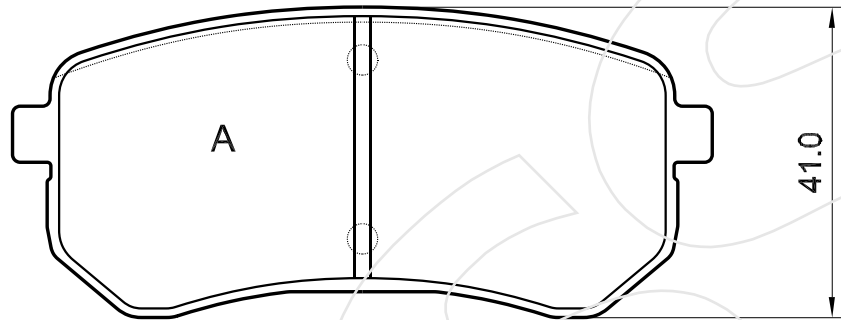
Reference in this Catalogue to other manufactures and to part numbers and other descriptions are for identification purposes only, because the above DISC BRAKE PADS are NOT ORIGINAL but with these interchangeable.

CODICE	IMPIANTO		ASSE	SCALA	APPLICAZIONI
<b>R-1211</b>	AKEBONO		ANTERIORE	1:1	SUBARU
CODICE COMPONENTI	N°	L(mm)	SERIE		
M0314	2	*	2 PEZZI TIPO A		
M0034	1	*	1 PEZZO TIPO B		
M0035	1	*	1 PEZZO TIPO C		
*	*	*	*		
CODICE ACCESSORI	N°	L(mm)	NOTE		
*	*	*			
*	*	*			
*	*	*			
*	*	*			



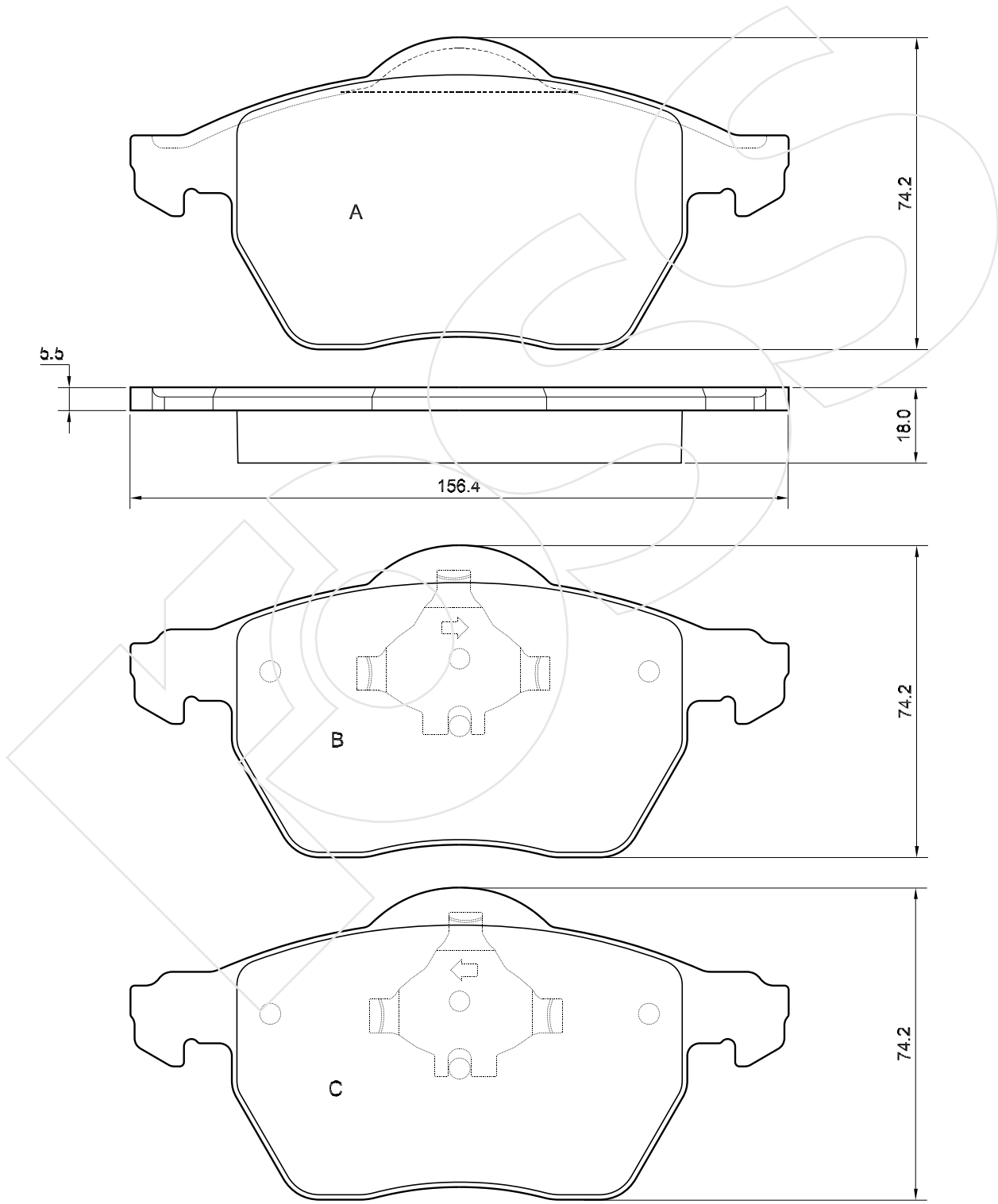
Reference in this Catalogue to other manufactures and to part numbers and other descriptions are for identification purposes only, because the above DISC BRAKE PADS are NOT ORIGINAL but with these interchangeable.

CODICE	IMPIANTO		ASSE	SCALA	APPLICAZIONI
<b>R-1212</b>	*		POSTERIORE	1:1	KIA
CODICE COMPONENTI	N°	L(mm)	SERIE		
*	*	*	2 PEZZI TIPO A		
M0069 #	2	*	2 PEZZI TIPO B		
*	*	*	*		
*	*	*	*		
*	*	*	*		
CODICE ACCESSORI	N°	L(mm)	NOTE		
*	*	*			
*	*	*			
*	*	*			
*	*	*			



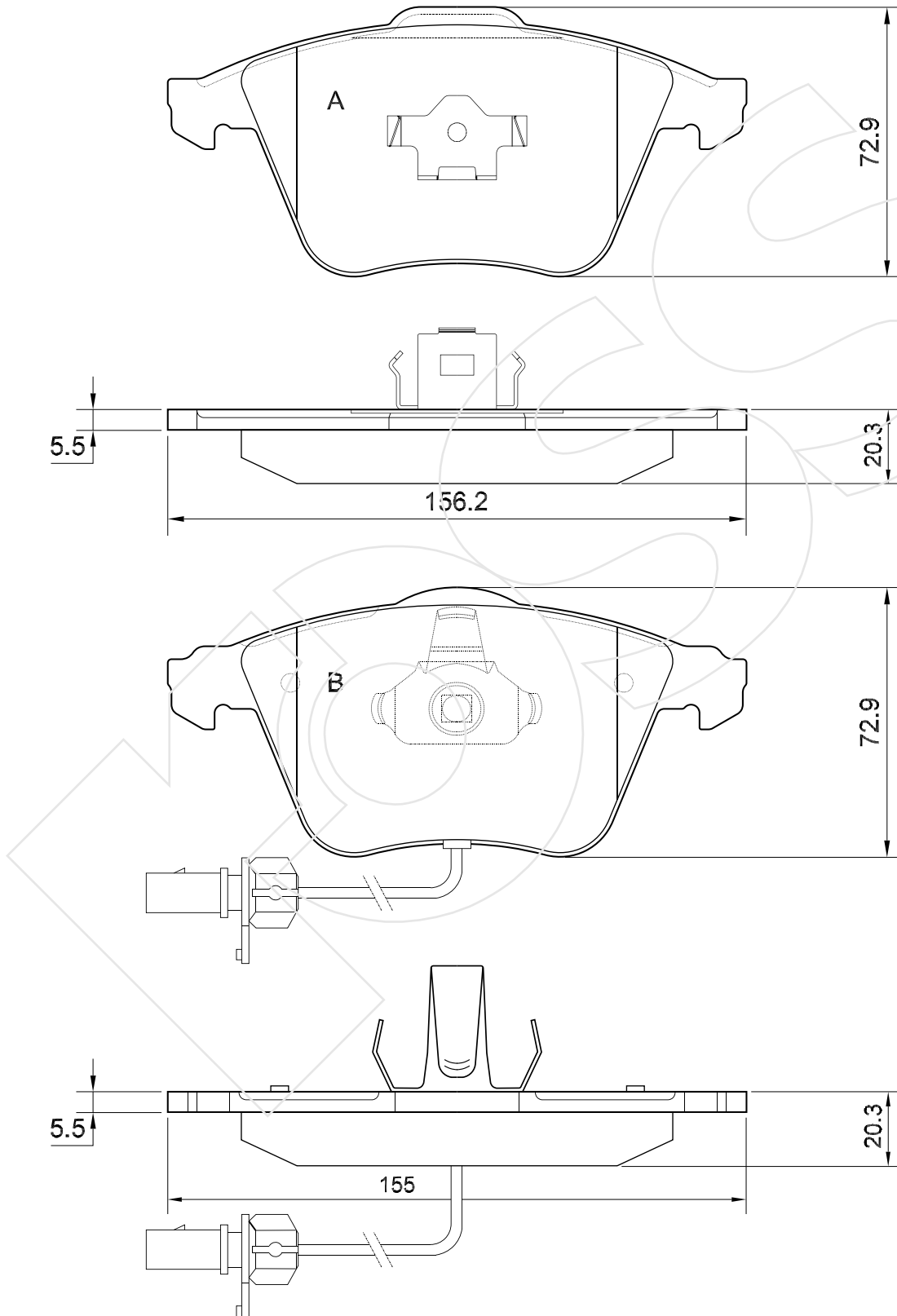
Reference in this Catalogue to other manufactures and to part numbers and other descriptions are for identification purposes only, because the above DISC BRAKE PADS are NOT ORIGINAL but with these interchangeable.

CODICE	IMPIANTO	ASSE	SCALA	APPLICAZIONI
<b>R-1213</b>	ATE	ANTERIORE	70%	VOLVO
CODICE COMPONENTI	N°	L(mm)	SERIE	
*	*	*	2 PEZZI TIPO A	
M0139	1	*	1 PEZZO TIPO B	
M0140	1	*	1 PEZZO TIPO C	
*	*	*	*	
CODICE ACCESSORI	N°	L(mm)	NOTE	
*	*	*	*	
*	*	*	*	
*	*	*	*	
*	*	*	*	



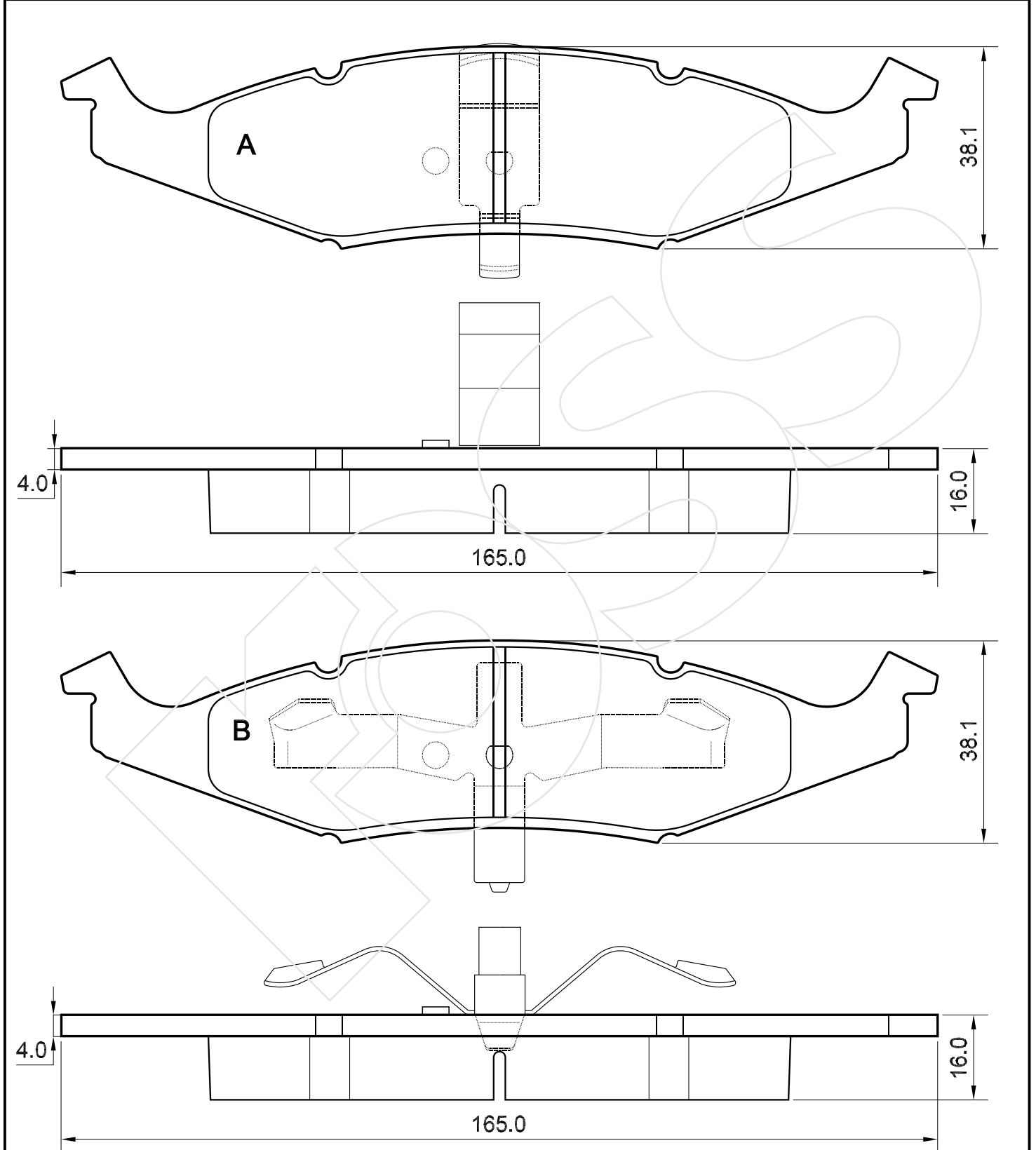
Reference in this Catalogue to other manufactures and to part numbers and other descriptions are for identification purposes only, because the above DISC BRAKE PADS are NOT ORIGINAL but with these interchangeable.

CODICE	IMPIANTO	ASSE	SCALA	APPLICAZIONI
<b>R-1214</b>	ATE	ANTERIORE	60%	AUDI
CODICE COMPONENTI	N°	L(mm)	SERIE	
M0283	2	*	2 PEZZI TIPO A	
M0144+F3044	2+2	215	2 PEZZI TIPO B	
*	*	*	*	
*	*	*	*	
CODICE ACCESSORI	N°	L(mm)	NOTE	
*	*	*	*	
*	*	*	*	
*	*	*	*	
*	*	*	*	



Reference in this Catalogue to other manufactures and to part numbers and other descriptions are for identification purposes only, because the above DISC BRAKE PADS are NOT ORIGINAL but with these interchangeable.

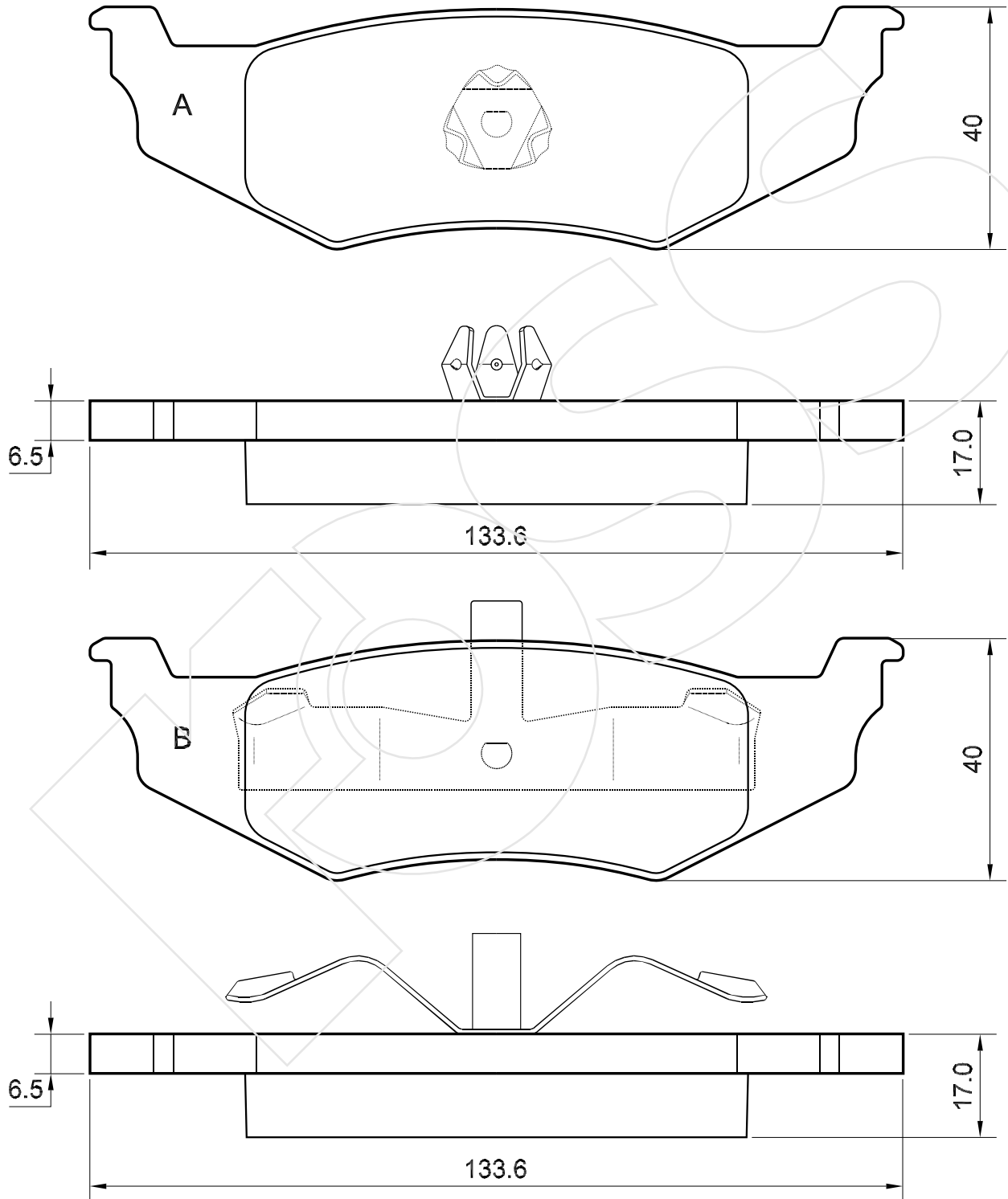
CODICE	IMPIANTO		ASSE	SCALA	APPLICAZIONI
<b>R-1215</b>	KELSEY HAYES		ANTERIORE	1:1	CHRYSLER
CODICE COMPONENTI	N°	L(mm)	SERIE		
M0308	2	*	2 PEZZI TIPO A		
M0309	2	*	2 PEZZI TIPO B		
*	*	*	*		
*	*	*	*		
CODICE ACCESSORI	N°	L(mm)	NOTE		
*	*	*			
*	*	*			
*	*	*			
*	*	*			



Reference in this Catalogue to other manufactures and to part numbers and other descriptions are for identification purposes only, because the above DISC BRAKE PADS are NOT ORIGINAL but with these interchangeable.

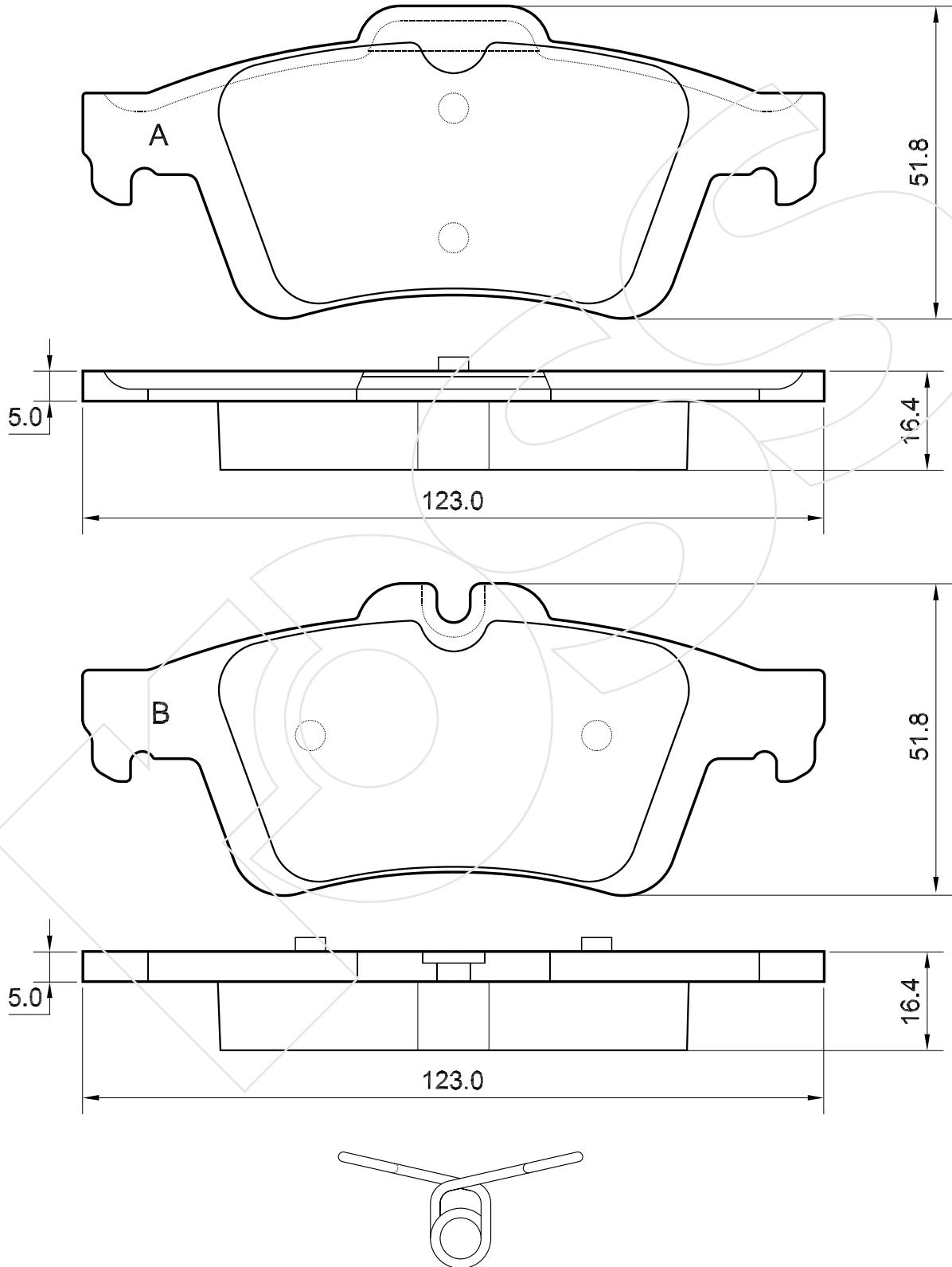


CODICE	IMPIANTO		ASSE	SCALA	APPLICAZIONI
<b>R-1216</b>	KESLEY HAYES		POSTERIORE	1:1	CHRYSLER
CODICE COMPONENTI	N°	L(mm)	SERIE		
M0310	2	*	2 PEZZI TIPO A		
M0311	2	*	2 PEZZI TIPO B		
*	*	*	*		
*	*	*	*		
CODICE ACCESSORI	N°	L(mm)	NOTE		
*	*	*			
*	*	*			
*	*	*			
*	*	*			



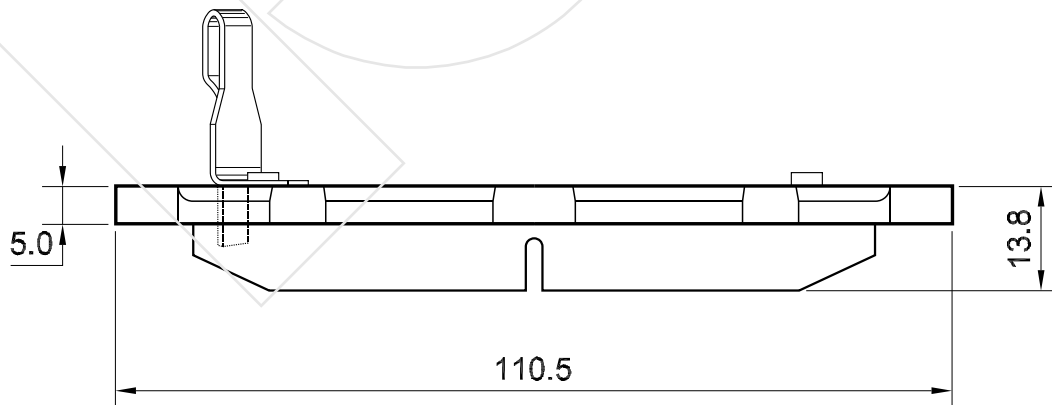
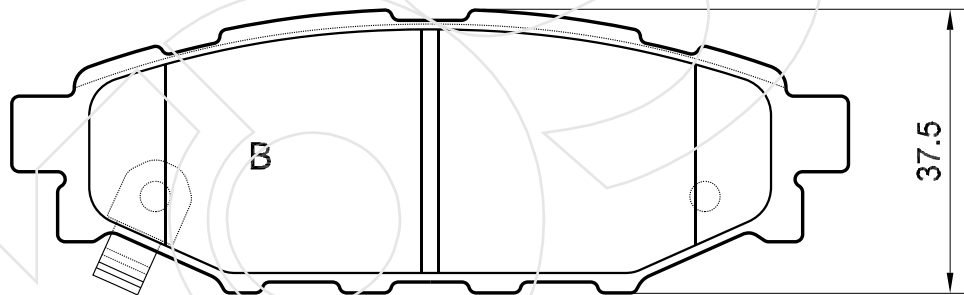
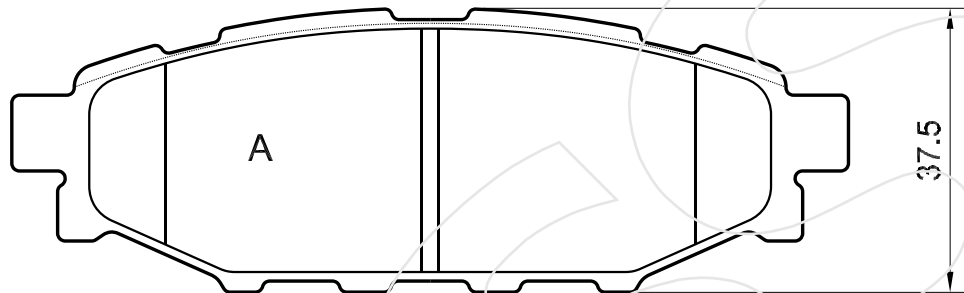
Reference in this Catalogue to other manufactures and to part numbers and other descriptions are for identification purposes only, because the above DISC BRAKE PADS are NOT ORIGINAL but with these interchangeable.

CODICE	IMPIANTO	ASSE	SCALA	APPLICAZIONI
<b>R-1217</b>	ATE	POSTERIORE	1:1	MAZDA
CODICE COMPONENTI	N°	L(mm)	SERIE	
*	*	*	2 PEZZI TIPO A	
M0312	2	*	2 PEZZI TIPO B	
*	*	*	*	
*	*	*	*	
CODICE ACCESSORI	N°	L(mm)	NOTE	
*	*	*	*	
*	*	*	*	
*	*	*	*	
*	*	*	*	



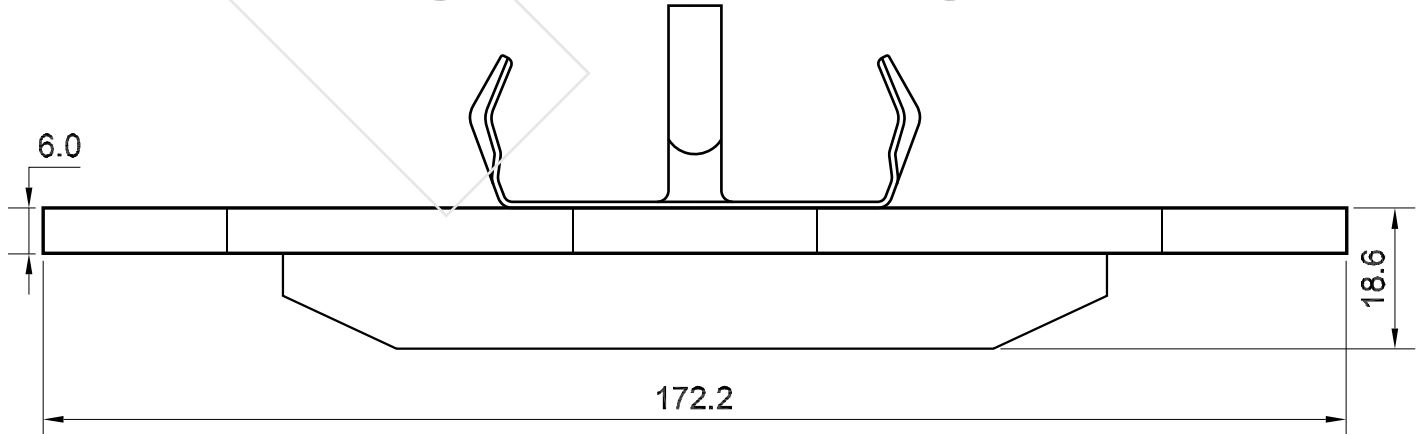
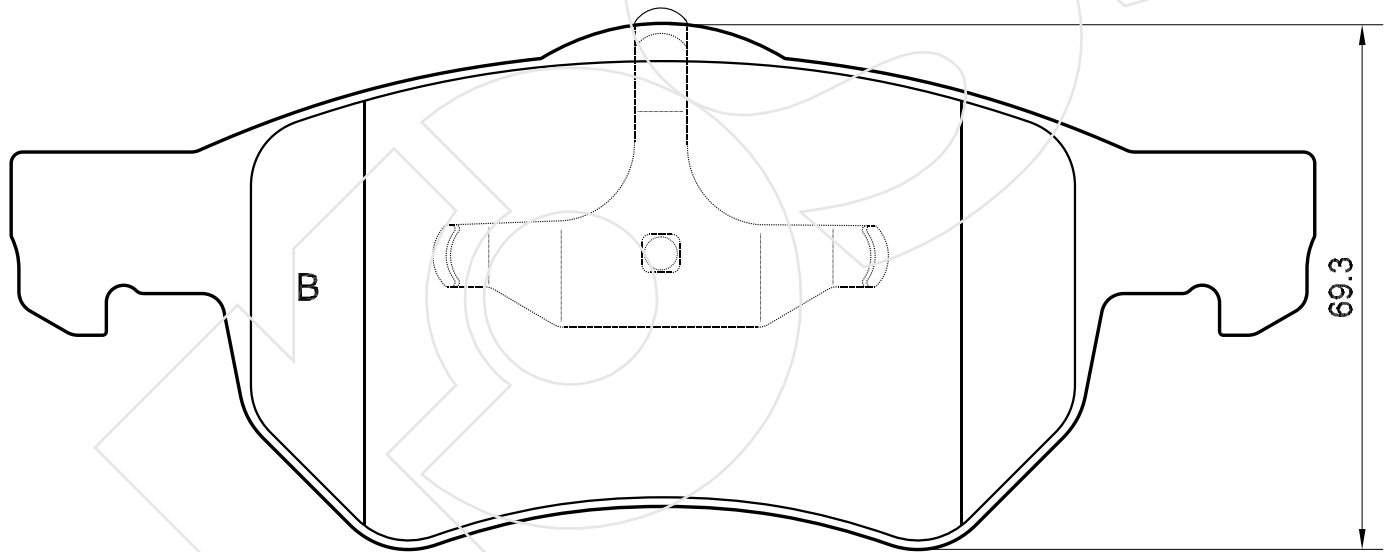
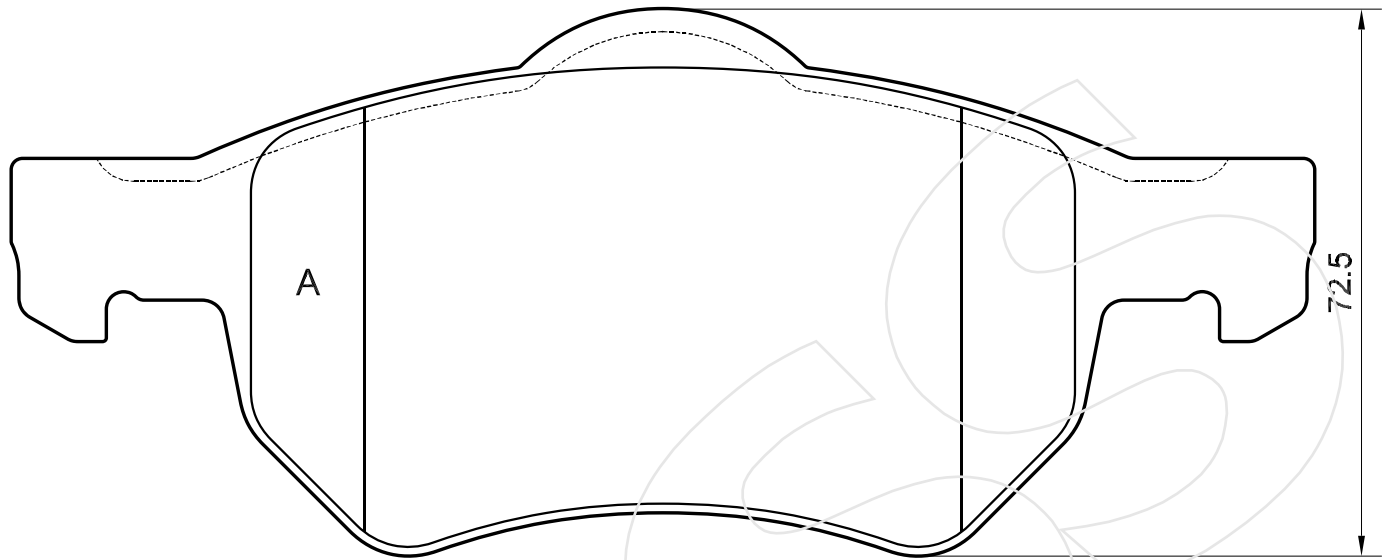
Reference in this Catalogue to other manufactures and to part numbers and other descriptions are for identification purposes only, because the above DISC BRAKE PADS are NOT ORIGINAL but with these interchangeable.

CODICE	IMPIANTO		ASSE	SCALA	APPLICAZIONI
<b>R-1218</b>	AKEBONO		POSTERIORE	1:1	SUBARU
CODICE COMPONENTI	N°	L(mm)	SERIE		
*	*	*	3 PEZZI TIPO A		
M0313	1	*	1 PEZZO TIPO B		
*	*	*	*		
*	*	*	*		
CODICE ACCESSORI	N°	L(mm)	NOTE		
*	*	*			
*	*	*			
*	*	*			
*	*	*			



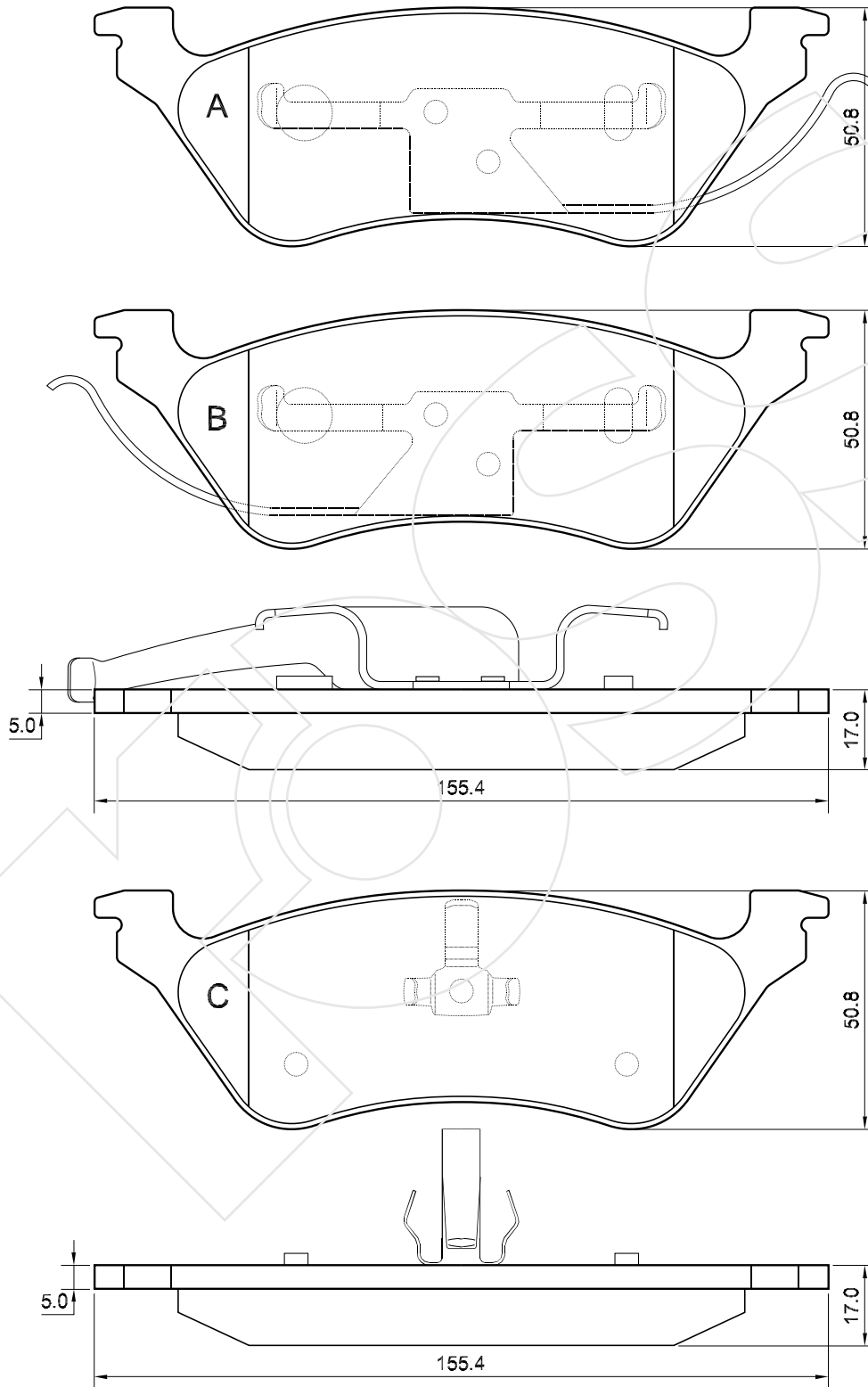
Reference in this Catalogue to other manufactures and to part numbers and other descriptions are for identification purposes only, because the above DISC BRAKE PADS are NOT ORIGINAL but with these interchangeable.

CODICE	IMPIANTO		ASSE	SCALA	APPLICAZIONI
<b>R-1219</b>	ATE		ANTERIORE	1:1	CHRYSLER
CODICE COMPONENTI	N°	L(mm)	SERIE		
*	*	*	2 PEZZI TIPO A		
M0315	2	*	2 PEZZI TIPO B		
*	*	*	*		
*	*	*	*		
CODICE ACCESSORI	N°	L(mm)	NOTE		
*	*	*			
*	*	*			
*	*	*			
*	*	*			



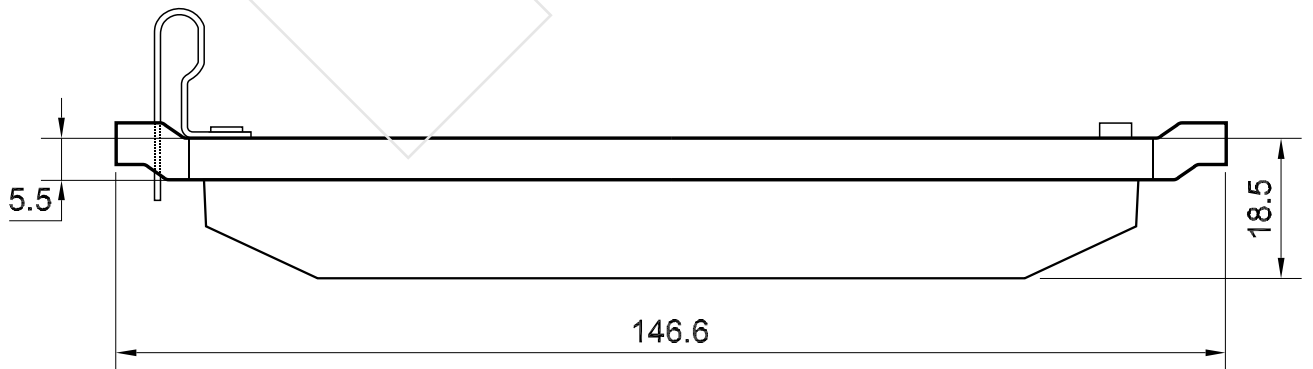
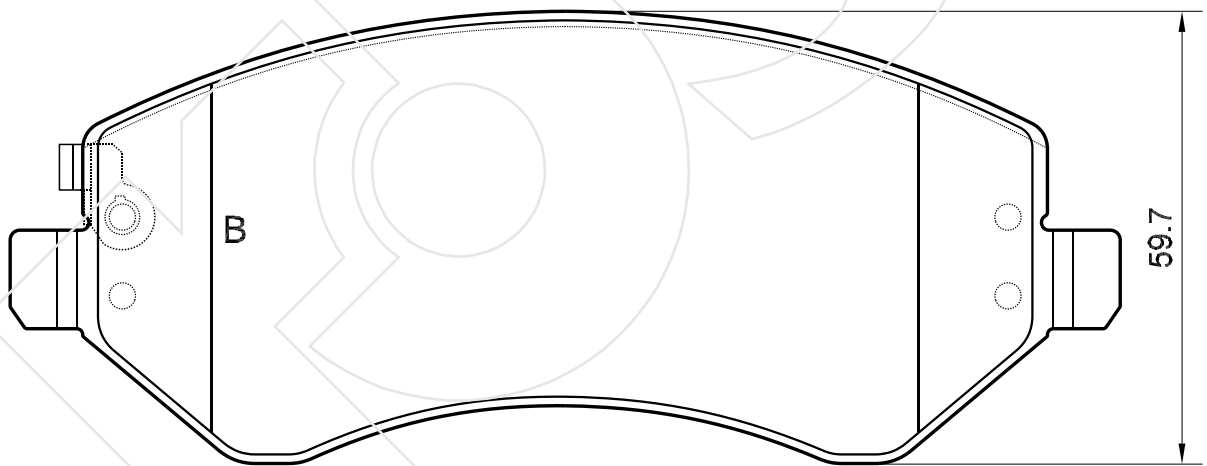
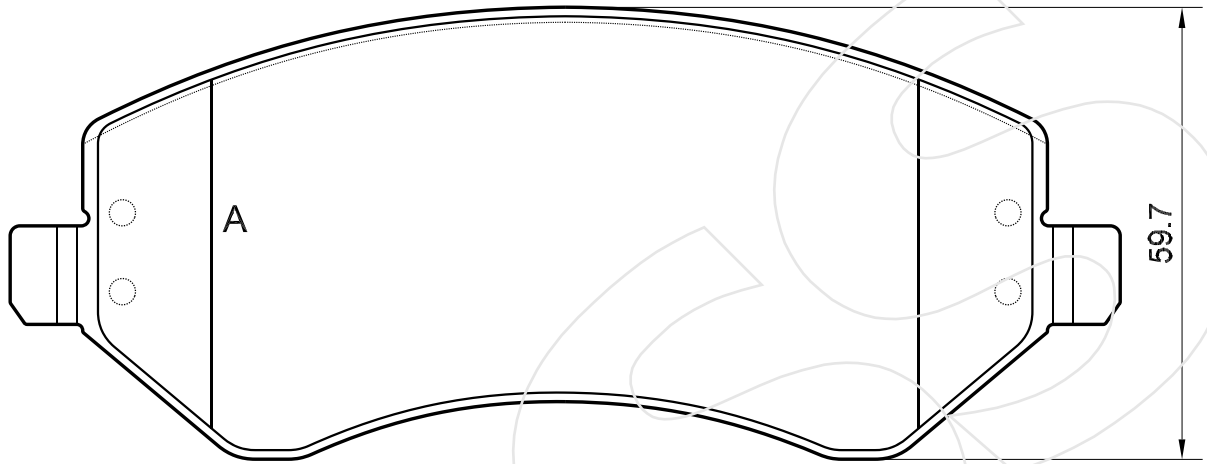
Reference in this Catalogue to other manufactures and to part numbers and other descriptions are for identification purposes only, because the above DISC BRAKE PADS are NOT ORIGINAL but with these interchangeable.

CODICE	IMPIANTO		ASSE	SCALA	APPLICAZIONI
<b>R-1220</b>	KELSEY-HAYES		POSTERIORE	70%	CHRYSLER
CODICE COMPONENTI	N°	L(mm)	SERIE		
M0317	1	*	1 PEZZO TIPO A		
M0316	1	*	1 PEZZO TIPO B		
M0175	2	*	2 PEZZI TIPO C		
*	*	*	*		
CODICE ACCESSORI	N°	L(mm)	NOTE		
*	*	*			
*	*	*			
*	*	*			
*	*	*			



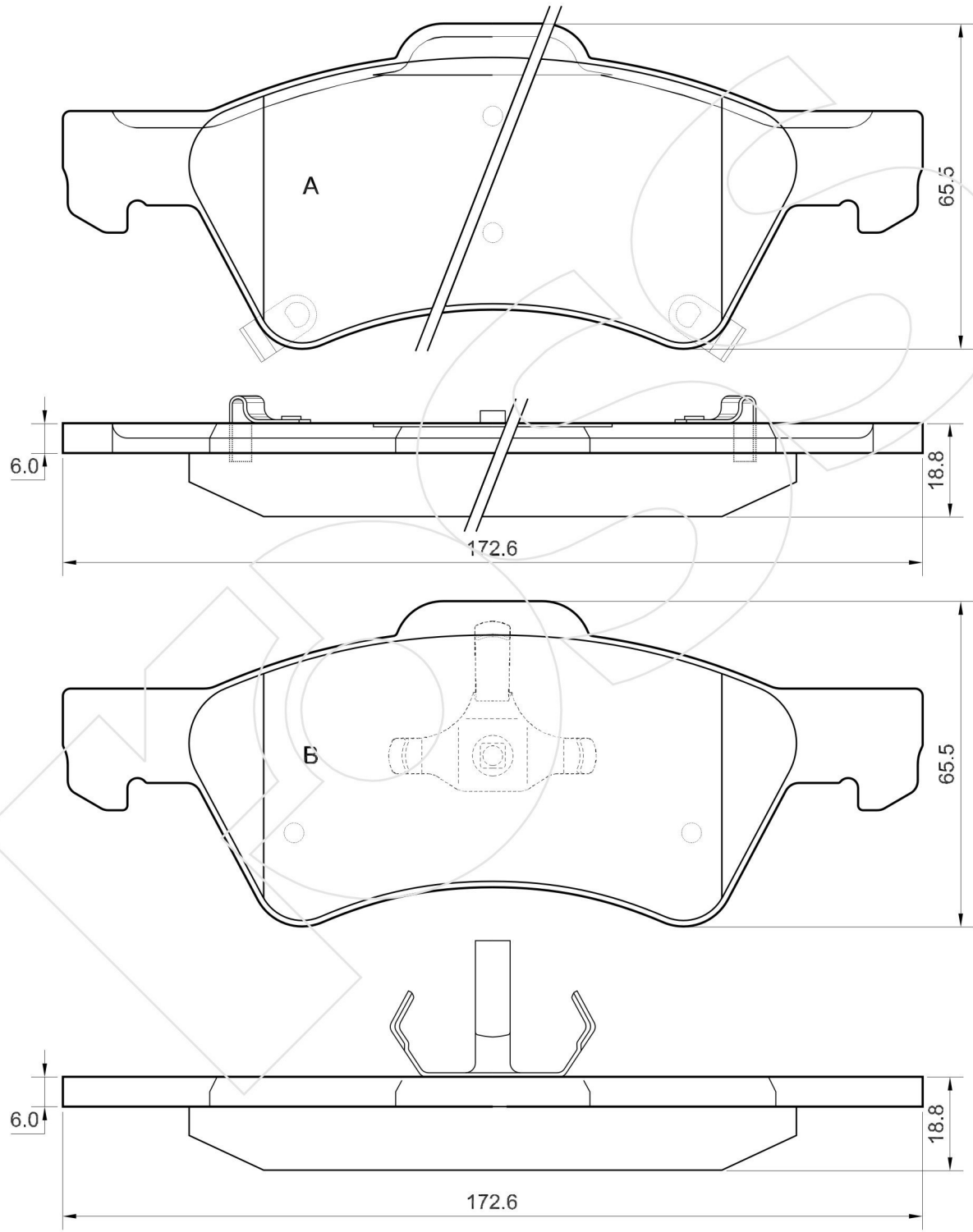
Reference in this Catalogue to other manufactures and to part numbers and other descriptions are for identification purposes only, because the above DISC BRAKE PADS are NOT ORIGINAL but with these interchangeable.

CODICE	IMPIANTO		ASSE	SCALA	APPLICAZIONI
<b>R-1221</b>	LUCAS		ANTERIORE	1:1	CHRYSLER
CODICE COMPONENTI	N°	L(mm)	SERIE		
*	*	*	2 PEZZI TIPO A		
M0095	2	*	2 PEZZI TIPO B		
*	*	*	*		
*	*	*	*		
CODICE ACCESSORI	N°	L(mm)	NOTE		
*	*	*			
*	*	*			
*	*	*			
*	*	*			



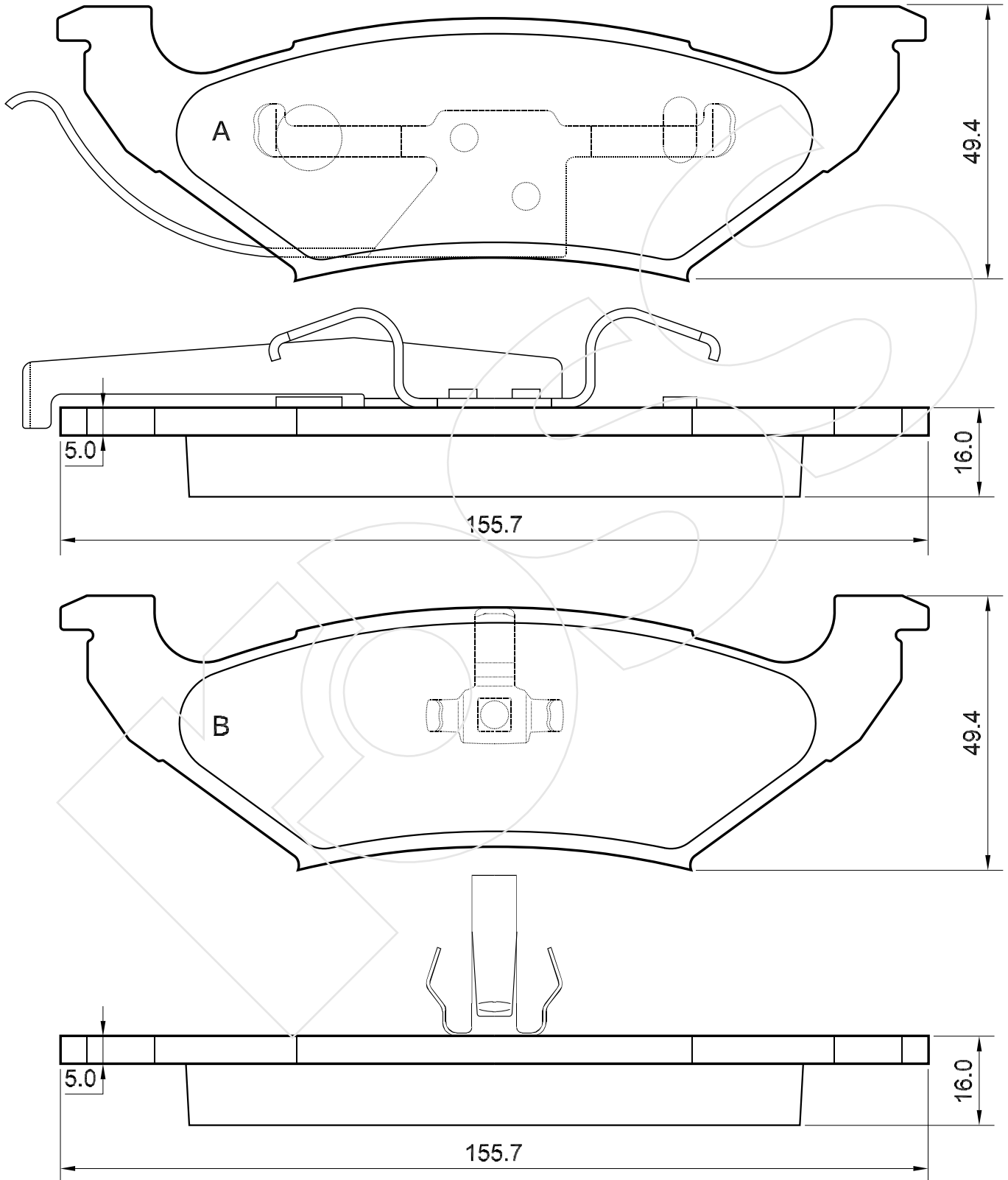
Reference in this Catalogue to other manufactures and to part numbers and other descriptions are for identification purposes only, because the above DISC BRAKE PADS are NOT ORIGINAL but with these interchangeable.

CODICE	IMPIANTO	ASSE	SCALA	APPLICAZIONI
<b>R-1222</b>	ATE	ANTERIORE	80%	CHRYSLER
CODICE COMPONENTI	N°	L(mm)	SERIE	
M0318	2	*	2 PEZZI TIPO A	
M0319	2	*	2 PEZZI TIPO B	
*	*	*	*	
*	*	*	*	
CODICE ACCESSORI	N°	L(mm)	NOTE	
*	*	*		
*	*	*		
*	*	*		
*	*	*		



Reference in this Catalogue to other manufactures and to part numbers and other descriptions are for identification purposes only, because the above DISC BRAKE PADS are NOT ORIGINAL but with these interchangeable.

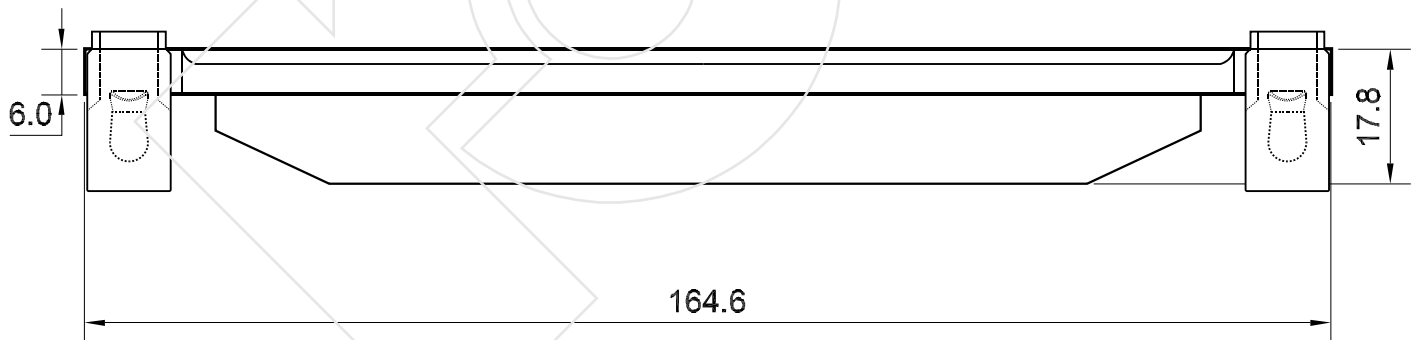
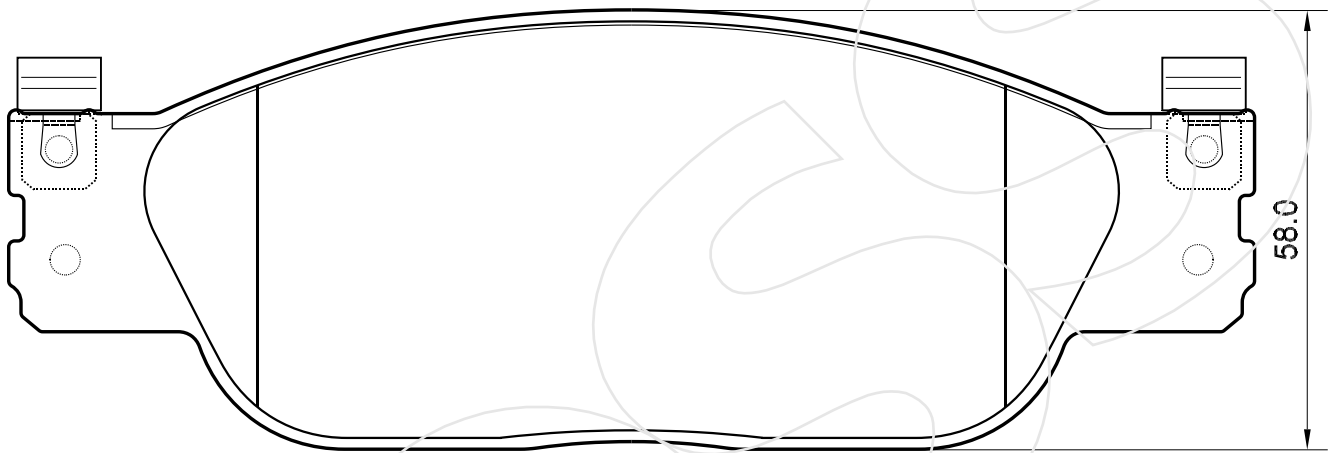
CODICE	IMPIANTO		ASSE	SCALA	APPLICAZIONI
<b>R-1223</b>	KELSEY-HAYES		POSTERIORE	1:1	<b>CHRYSLER</b> VOYAGER II (ABS) 2.0 01/95-02/00 VOYAGER II (ABS) 2.4 01/95-02/00 VOYAGER II (ABS) 3.0 01/95-02/00 VOYAGER II (ABS) 3.3 01/95-02/00 VOYAGER II (ABS) AWD 3.8 01/95-02/00 VOYAGER II (ABS) TD 2.5 01/95-02/00
CODICE COMPONENTI	N°	L(mm)	SERIE		
M0320	2	*	2 PEZZI TIPO A		
M0175	2	*	2 PEZZI TIPO B		
*	*	*	*		
*	*	*	*		
CODICE ACCESSORI	N°	L(mm)	NOTE		
*	*	*			
*	*	*			
*	*	*			
*	*	*			



Reference in this Catalogue to other manufactures and to part numbers and other descriptions are for identification purposes only, because the above DISC BRAKE PADS are NOT ORIGINAL but with these interchangeable.

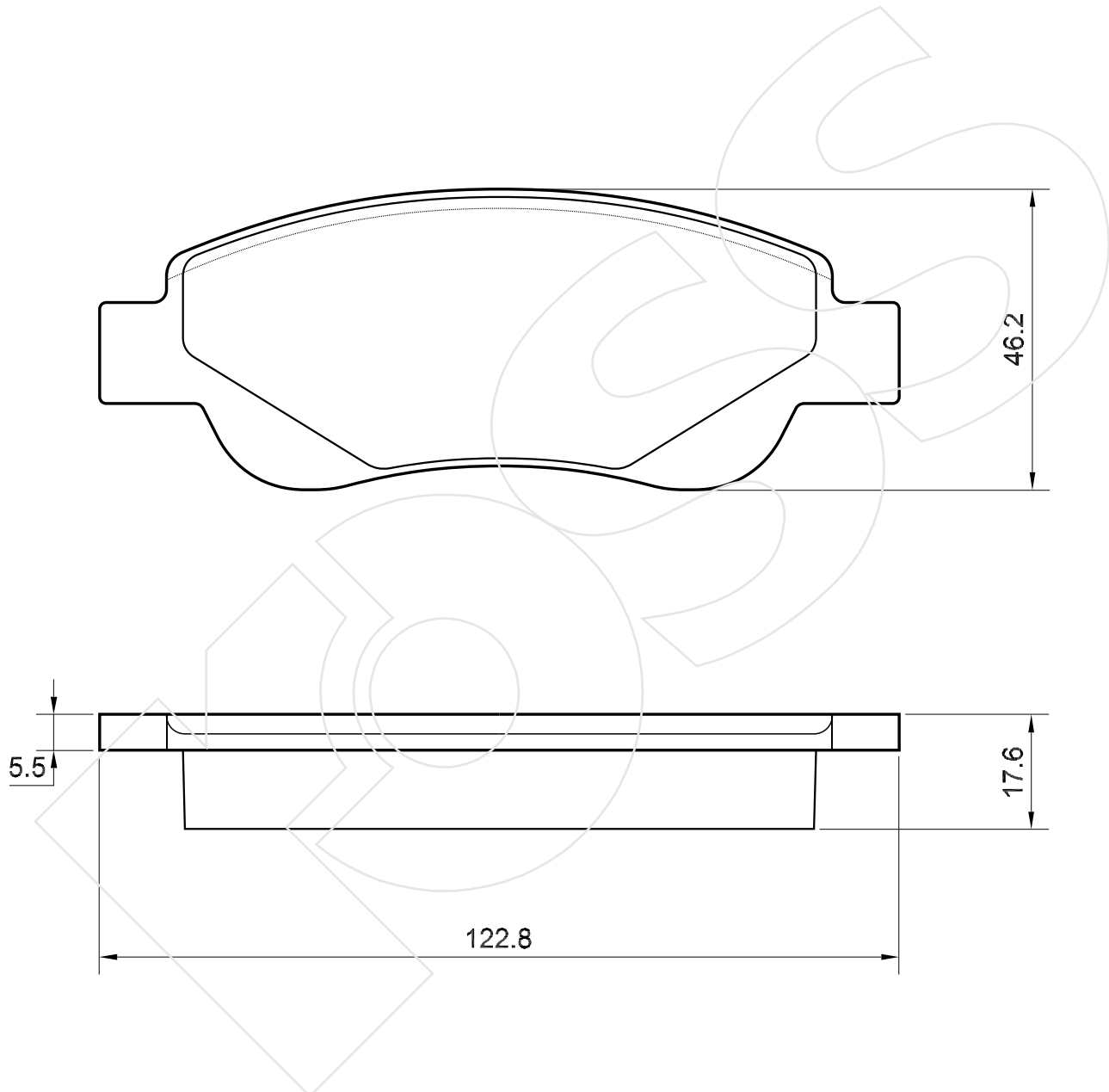


CODICE	IMPIANTO		ASSE	SCALA	APPLICAZIONI
<b>R-1224</b>	LUCAS		ANTERIORE	1:1	JAGUAR
CODICE COMPONENTI	N°	L(mm)	SERIE		
M0254	8	*	4 PEZZI		
*	*	*	*		
*	*	*	*		
*	*	*	*		
CODICE ACCESSORI	N°	L(mm)	NOTE		
*	*	*			
*	*	*			
*	*	*			
*	*	*			



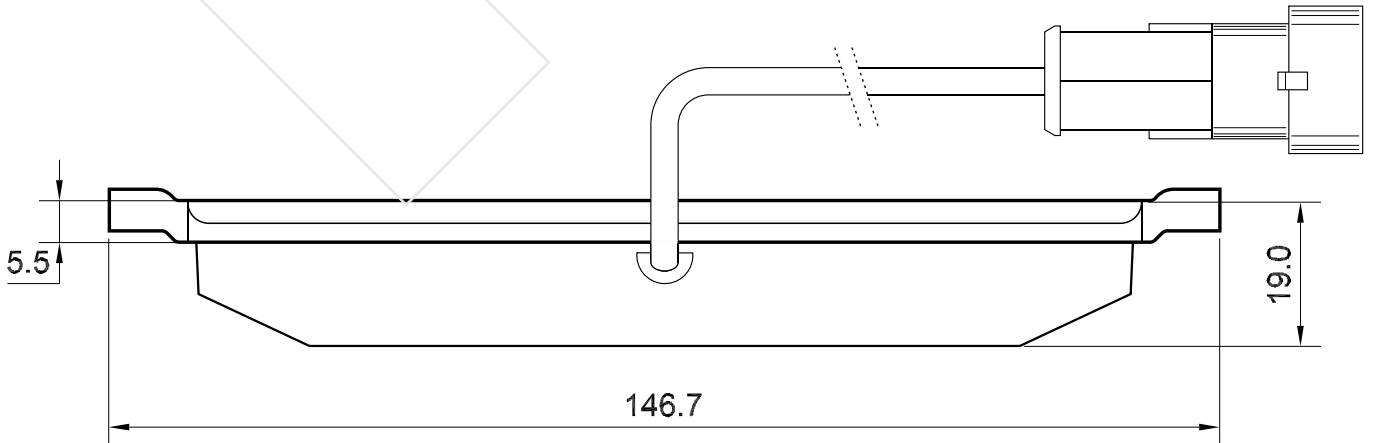
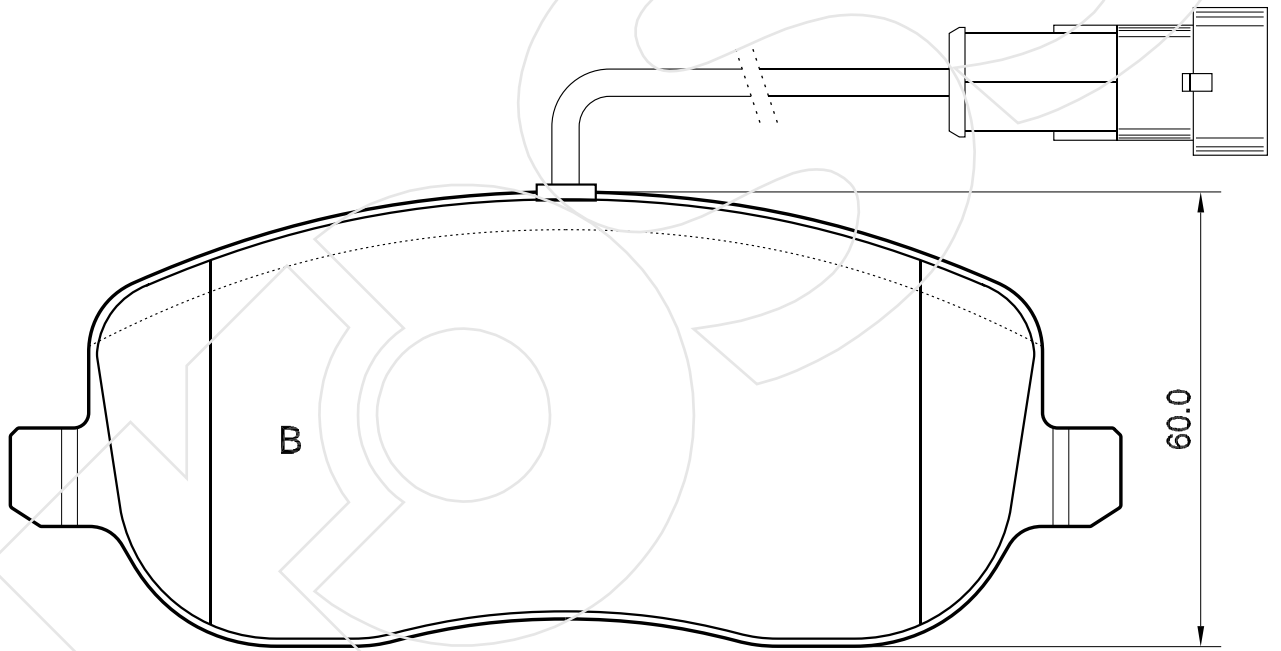
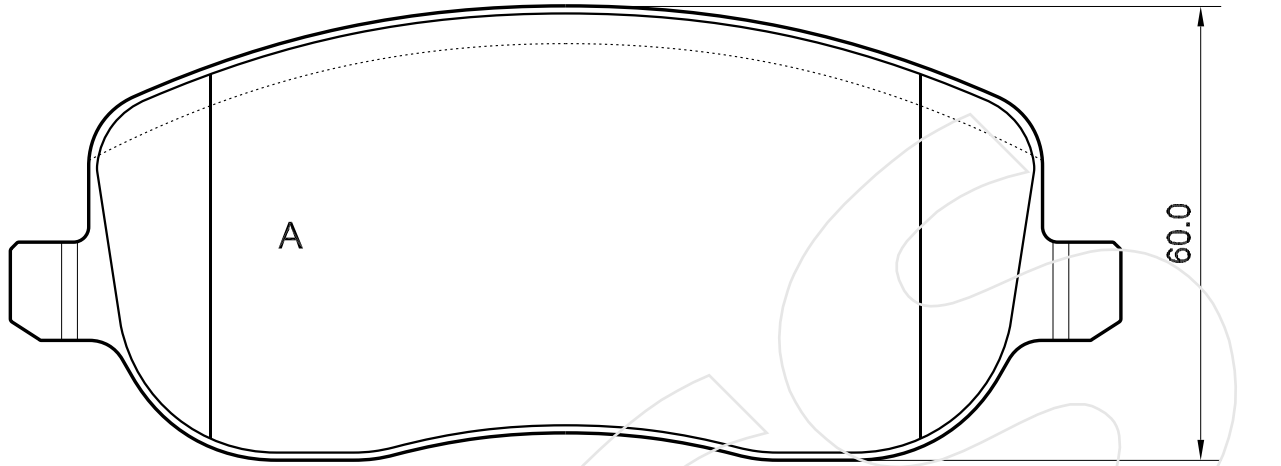
Reference in this Catalogue to other manufactures and to part numbers and other descriptions are for identification purposes only, because the above DISC BRAKE PADS are NOT ORIGINAL but with these interchangeable.

CODICE	IMPIANTO		ASSE	SCALA	APPLICAZIONI
<b>R-1225</b>	BOSCH		ANTERIORE	1:1	CITROEN C1 1.0 06/05- CITROEN C1 HdI 1.0 06/05- PEUGEOT 107 1.0 06/05- PEUGEOT 107 HDI 1.4 06/05- TOYOTA AYGO 1.0 07/05- TOYOTA AYGO 1.4 07/05-
CODICE COMPONENTI	N°	L(mm)	SERIE		
*	*	*	4 PEZZI		
*	*	*	*		
*	*	*	*		
*	*	*	*		
CODICE ACCESSORI	N°	L(mm)	NOTE		
*	*	*			
*	*	*			
*	*	*			
*	*	*			



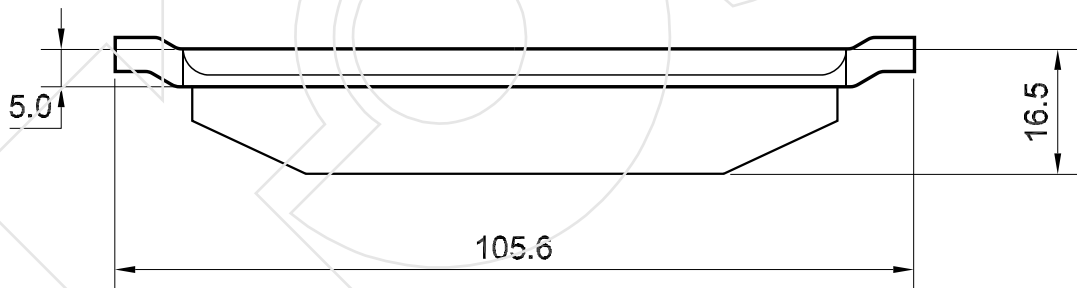
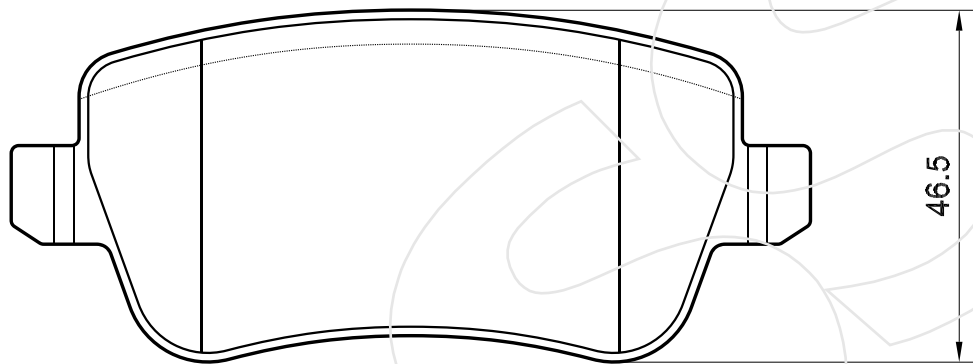
Reference in this Catalogue to other manufactures and to part numbers and other descriptions are for identification purposes only, because the above DISC BRAKE PADS are NOT ORIGINAL but with these interchangeable.

CODICE	IMPIANTO		ASSE	SCALA	APPLICAZIONI
<b>R-1226</b>	LUCAS		ANTERIORE	1:1	FIAT
	N°	L(mm)	SERIE		
*	*	*	3 PEZZI TIPO A		
F3156	1	190	1 PEZZO TIPO B		
*	*	*	*		
*	*	*	*		
CODICE ACCESSORI	N°	L(mm)	NOTE		
*	*	*			
*	*	*			
*	*	*			
*	*	*			



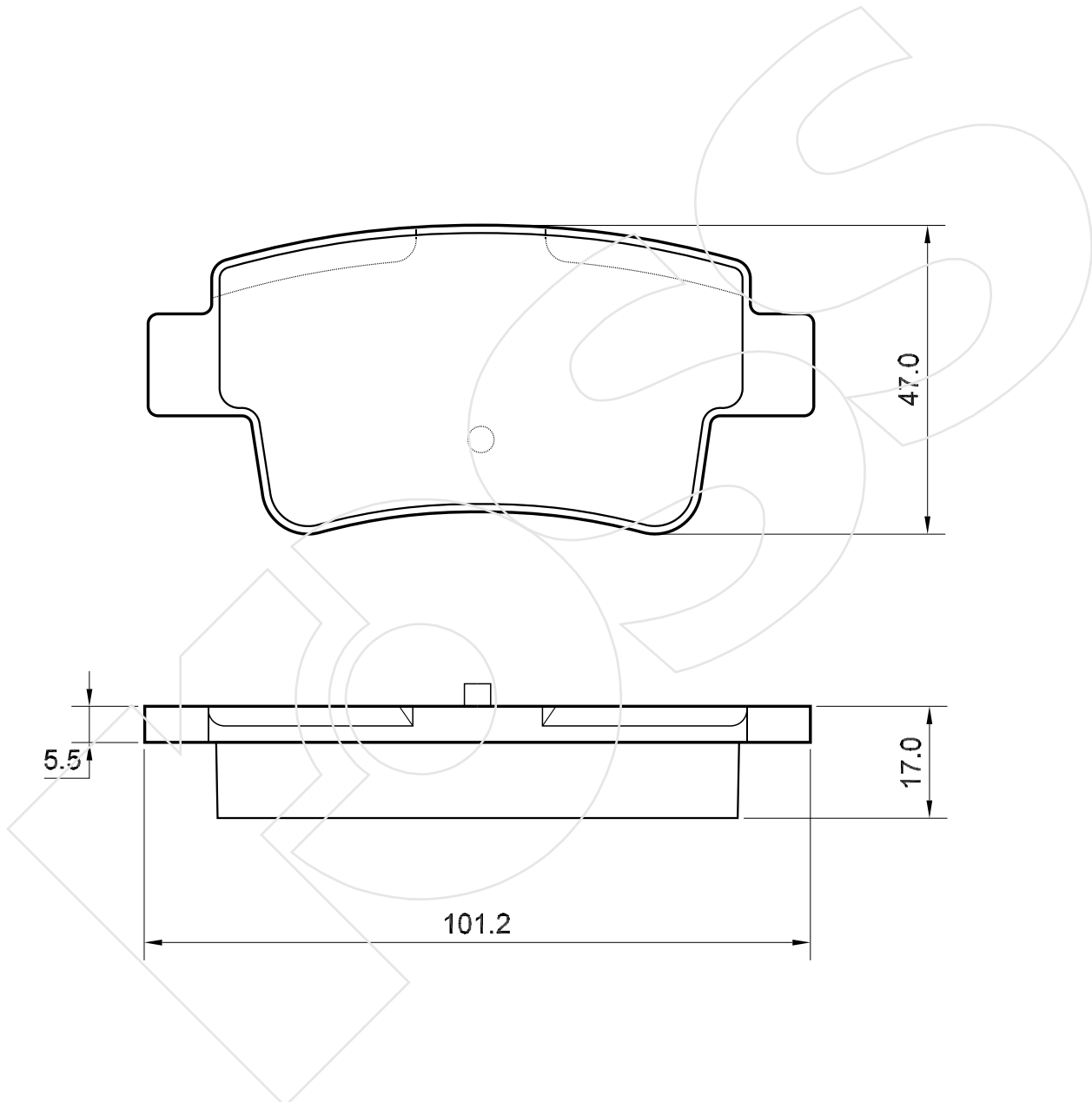
Reference in this Catalogue to other manufactures and to part numbers and other descriptions are for identification purposes only, because the above DISC BRAKE PADS are NOT ORIGINAL but with these interchangeable.

CODICE	IMPIANTO		ASSE	SCALA	APPLICAZIONI
<b>R-1227</b>	LUCAS		POSTERIORE	1:1	FIAT
CODICE COMPONENTI	N°	L(mm)	SERIE		
*	*	*	4 PEZZI		
*	*	*			
*	*	*			
*	*	*			
CODICE ACCESSORI	N°	L(mm)	NOTE		
*	*	*			
*	*	*			
*	*	*			
*	*	*			



Reference in this Catalogue to other manufactures and to part numbers and other descriptions are for identification purposes only, because the above DISC BRAKE PADS are NOT ORIGINAL but with these interchangeable.

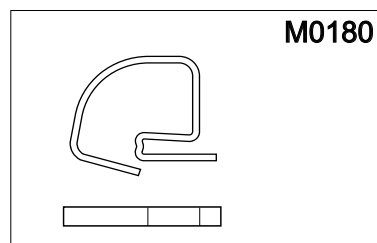
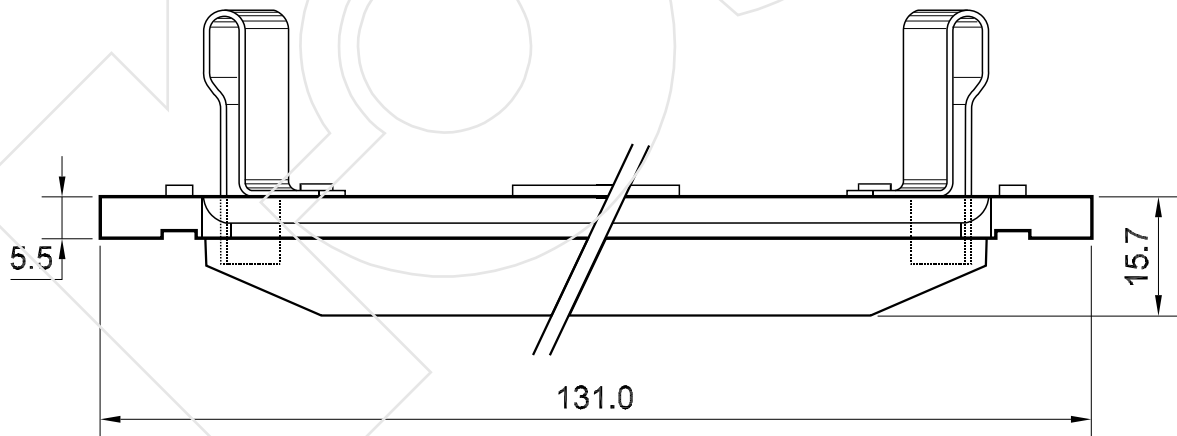
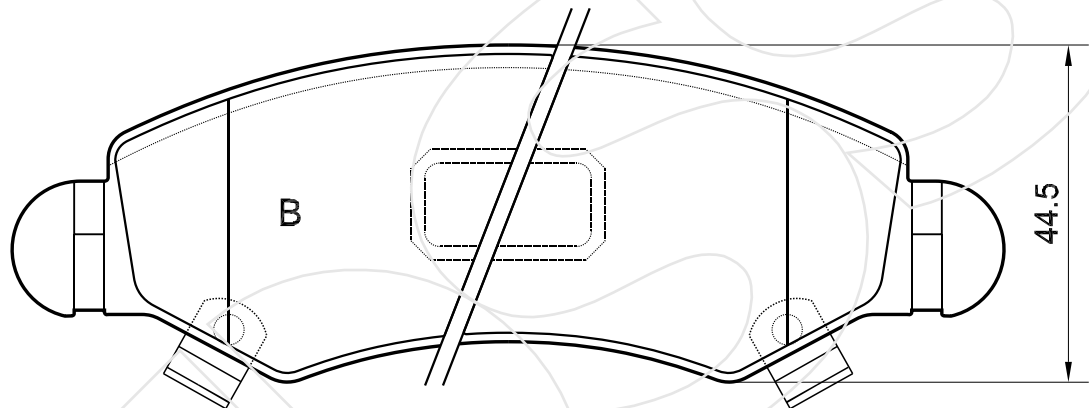
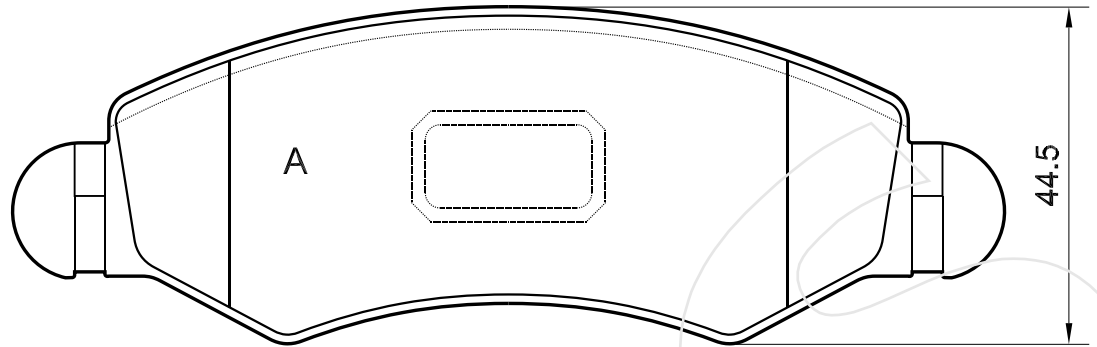
CODICE	IMPIANTO		ASSE	SCALA	APPLICAZIONI
<b>R-1228</b>	BOSCH		POSTERIORE	1:1	FIAT
CODICE COMPONENTI	N°	L(mm)	SERIE		
*	*	*	4 PEZZI		
*	*	*			
*	*	*			
*	*	*			
CODICE ACCESSORI	N°	L(mm)	NOTE		
*	*	*			
*	*	*			
*	*	*			
*	*	*			



Reference in this Catalogue to other manufactures and to part numbers and other descriptions are for identification purposes only, because the above DISC BRAKE PADS are NOT ORIGINAL but with these interchangeable.

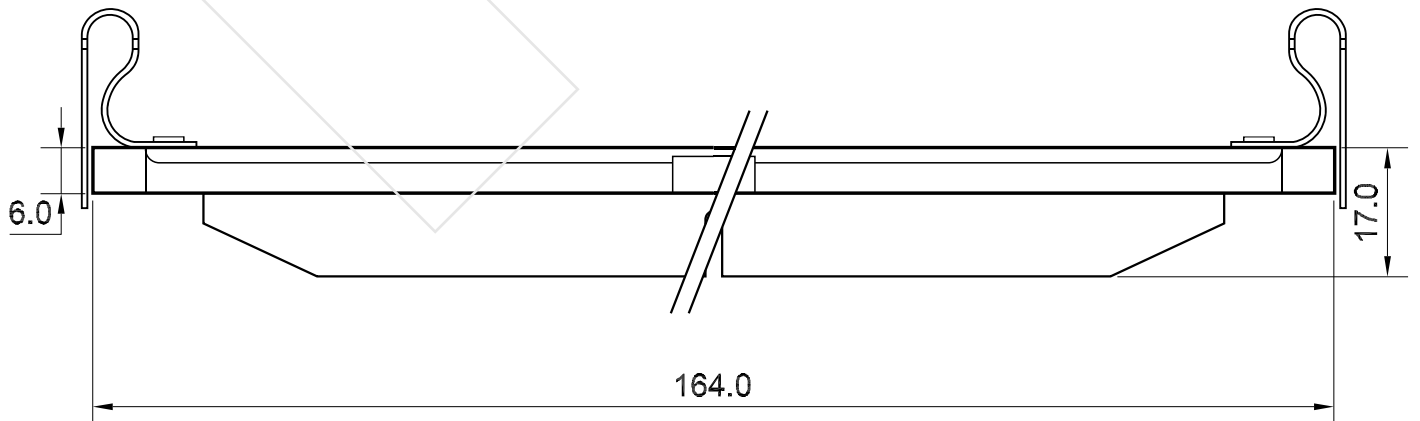
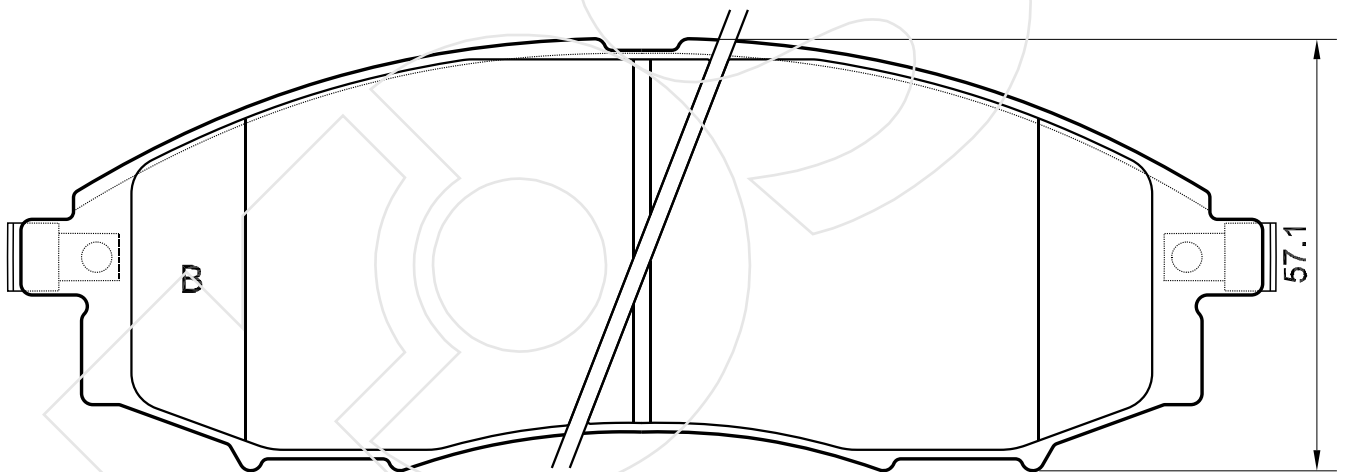
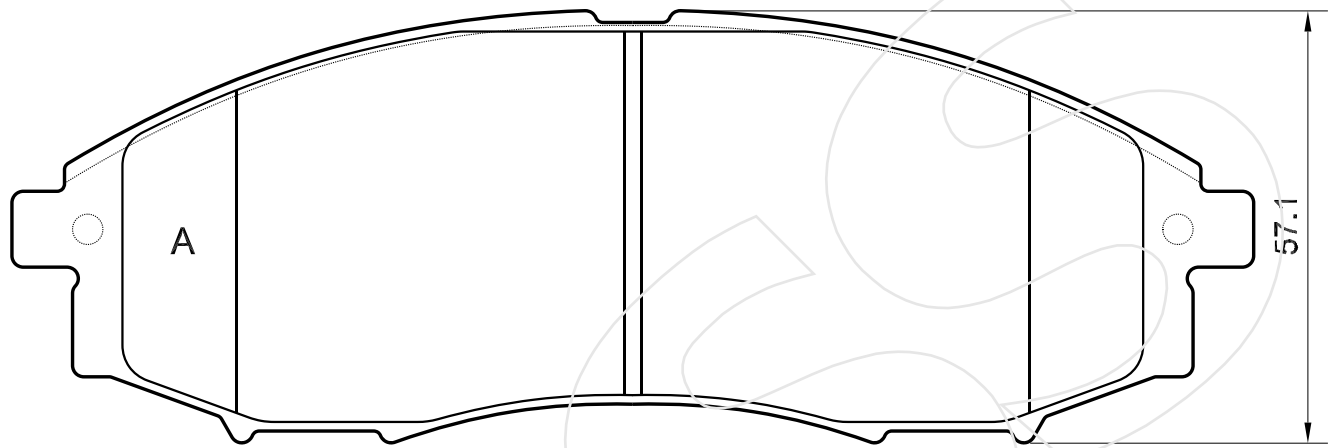
CODICE	IMPIANTO		ASSE	SCALA	APPLICAZIONI
<b>R-1229</b>	BOSCH		ANTERIORE	1:1	SUZUKI
CODICE COMPONENTI	N°	L(mm)	SERIE		
M0180	4	*	2 PEZZI TIPO A		
M0180+M0177	4+2	*	2 PEZZI TIPO B		
*	*	*	*		
*	*	*	*		
CODICE ACCESSORI	N°	L(mm)	NOTE		
*	*	*			
*	*	*			
*	*	*			
*	*	*			

SUBARU



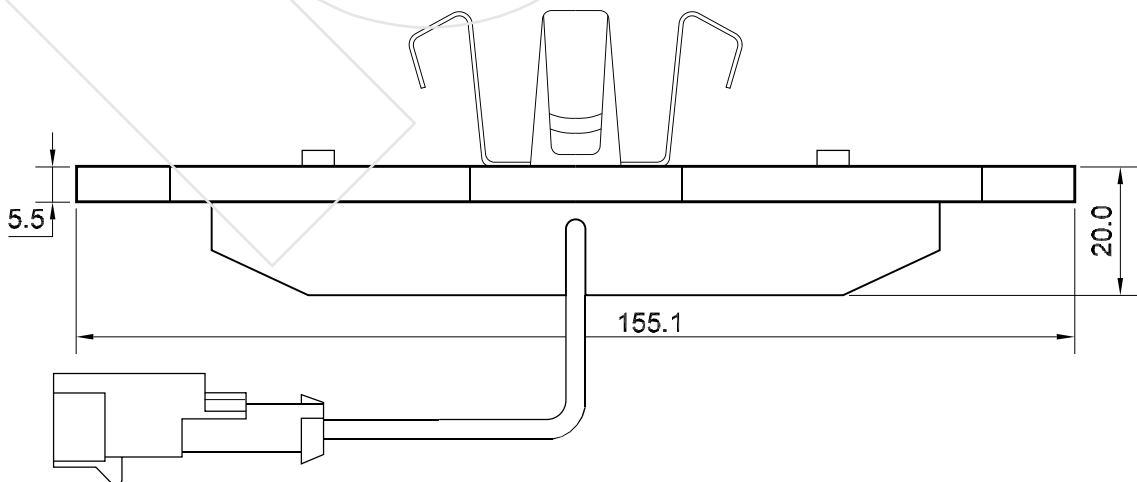
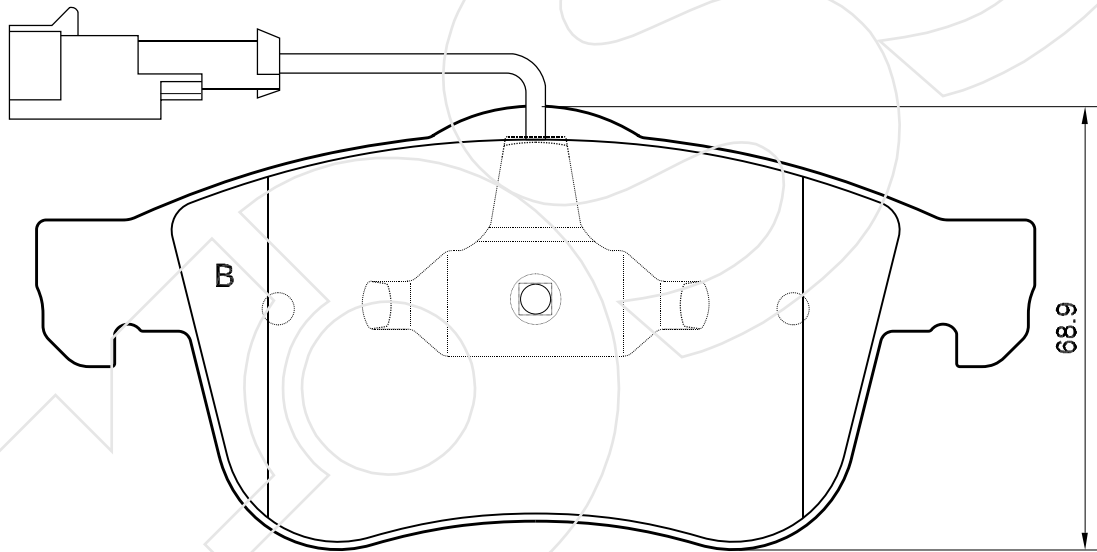
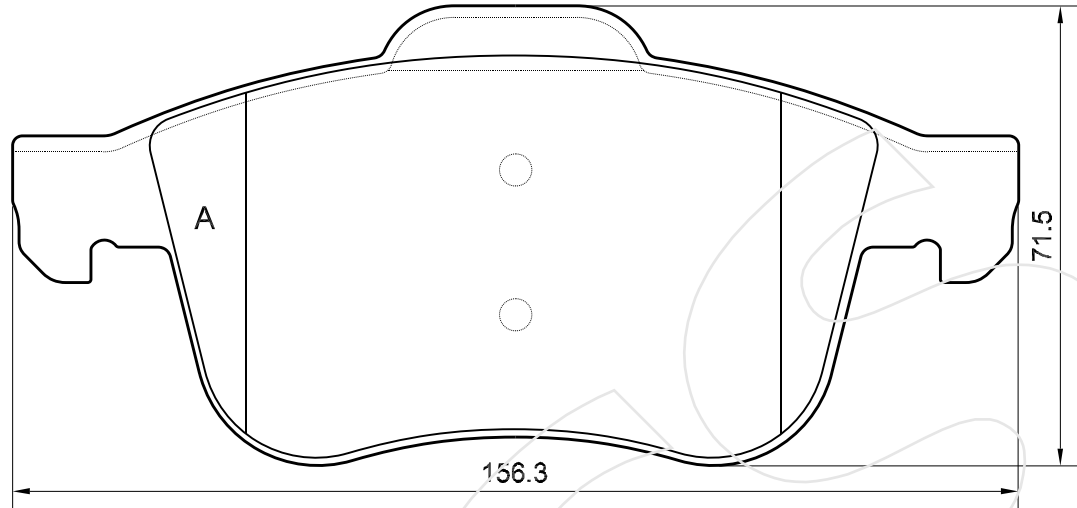
Reference in this Catalogue to other manufactures and to part numbers and other descriptions are for identification purposes only, because the above DISC BRAKE PADS are NOT ORIGINAL but with these interchangeable.

CODICE	IMPIANTO		ASSE	SCALA	APPLICAZIONI
<b>R-1230</b>	AKEBONO		ANTERIORE	1:1	NISSAN
CODICE COMPONENTI	N°	L(mm)	SERIE		
*	*	*	2 PEZZI TIPO A		
M0074	2	*	2 PEZZI TIPO B		
*	*	*	*		
*	*	*	*		
*	*	*	*		
CODICE ACCESSORI	N°	L(mm)	NOTE		
*	*	*			
*	*	*			
*	*	*			
*	*	*			



Reference in this Catalogue to other manufactures and to part numbers and other descriptions are for identification purposes only, because the above DISC BRAKE PADS are NOT ORIGINAL but with these interchangeable.

CODICE	IMPIANTO		ASSE	SCALA	APPLICAZIONI
<b>R-1231</b>	ATE		ANTERIORE	85%	ALFA ROMEO
CODICE COMPONENTI	N°	L(mm)	SERIE		
*	*	*	2 PEZZI TIPO A		
M0203+F3020	2+2	230	2 PEZZI TIPO B		
*	*	*	*		
*	*	*	*		
CODICE ACCESSORI	N°	L(mm)	NOTE		
*	*	*			
*	*	*			
*	*	*			
*	*	*			

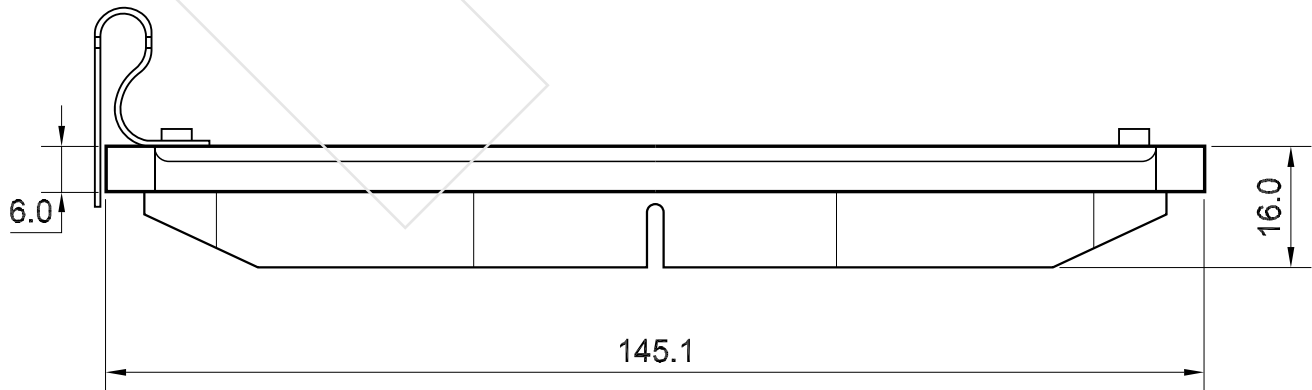
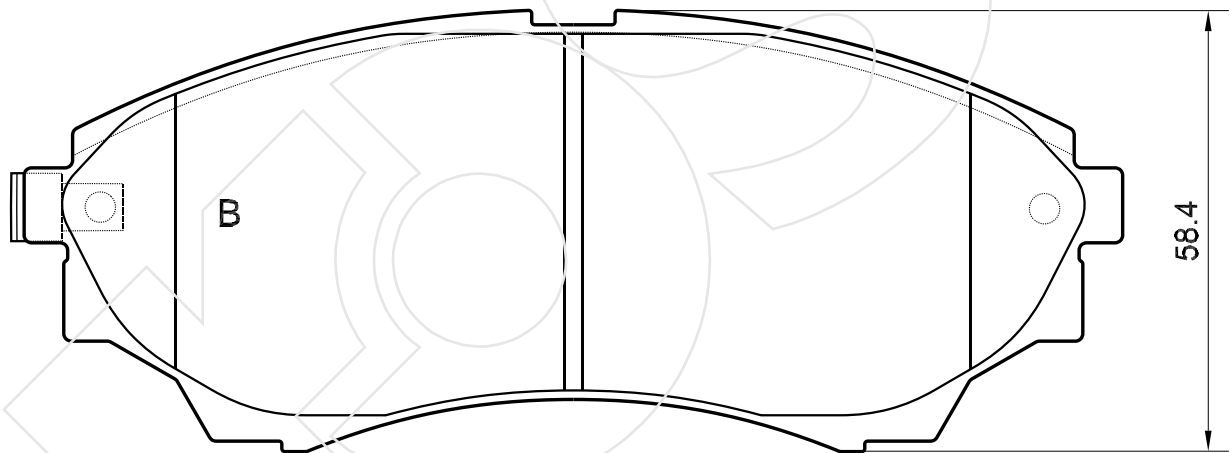
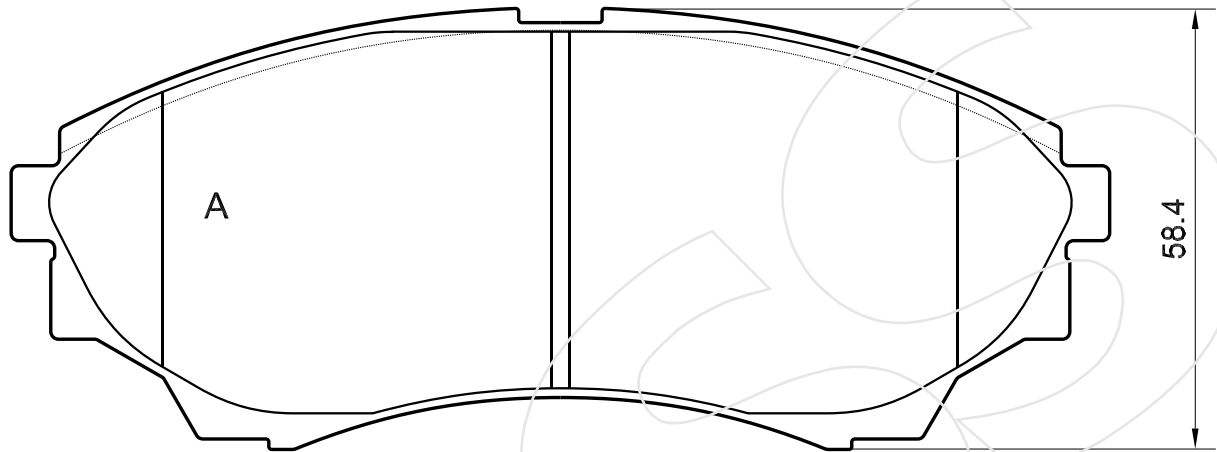


Reference in this Catalogue to other manufactures and to part numbers and other descriptions are for identification purposes only, because the above DISC BRAKE PADS are NOT ORIGINAL but with these interchangeable.



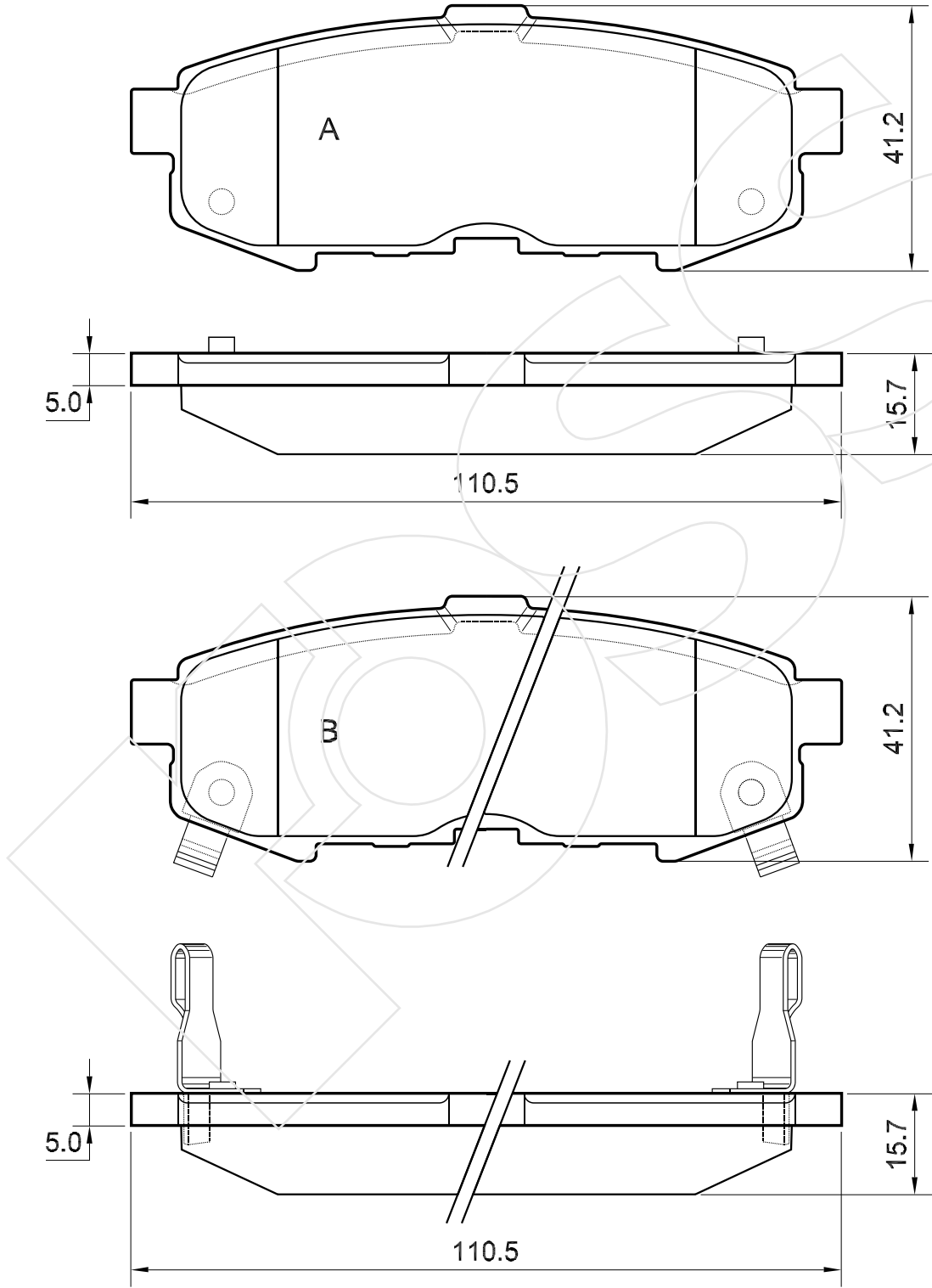
CODICE	IMPIANTO		ASSE	SCALA	APPLICAZIONI
<b>R-1232</b>	*		ANTERIORE	1:1	MAZDA
CODICE COMPONENTI	N°	L(mm)	SERIE		
*	*	*	3 PEZZI TIPO A		
M0074	1	*	1 PEZZO TIPO B		
*	*	*	*		
*	*	*	*		
CODICE ACCESSORI	N°	L(mm)	NOTE		
*	*	*			
*	*	*			
*	*	*			
*	*	*			
*	*	*			
*	*	*			

FORD



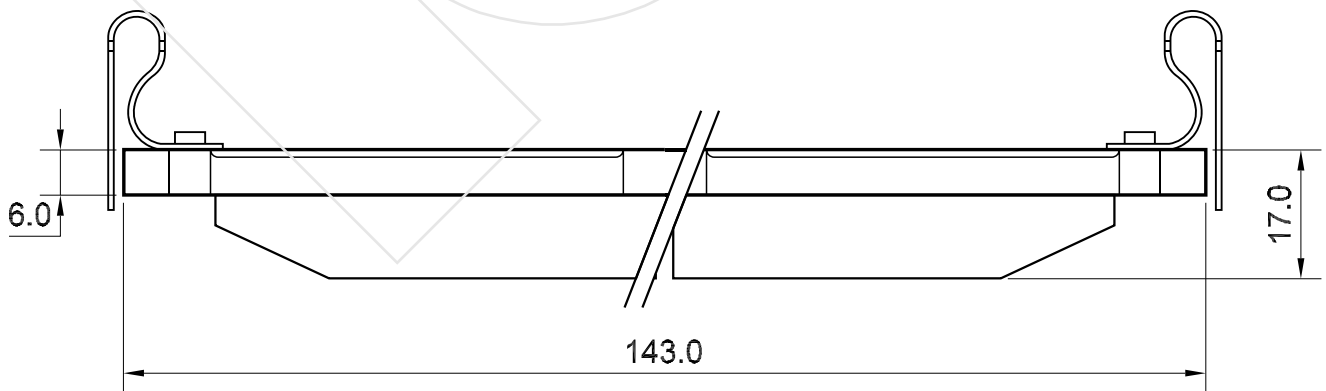
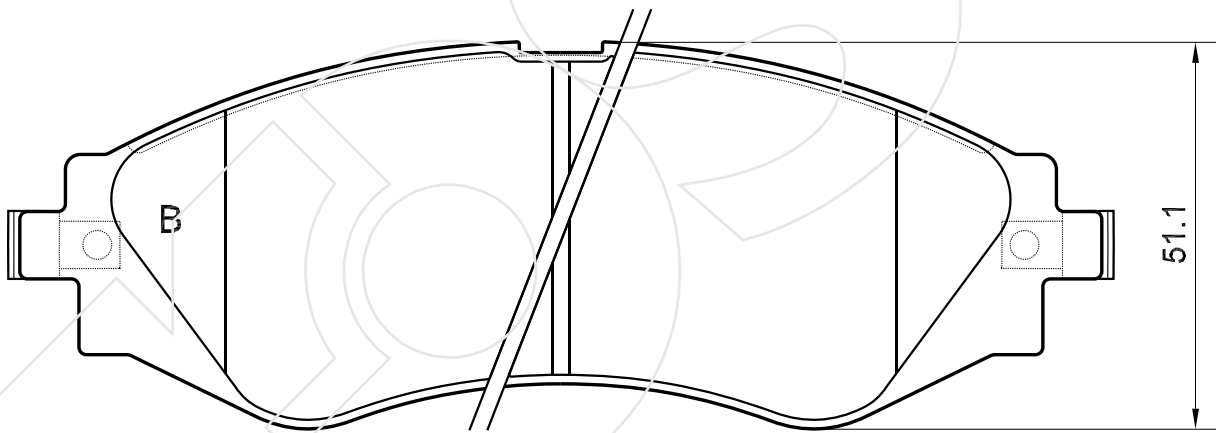
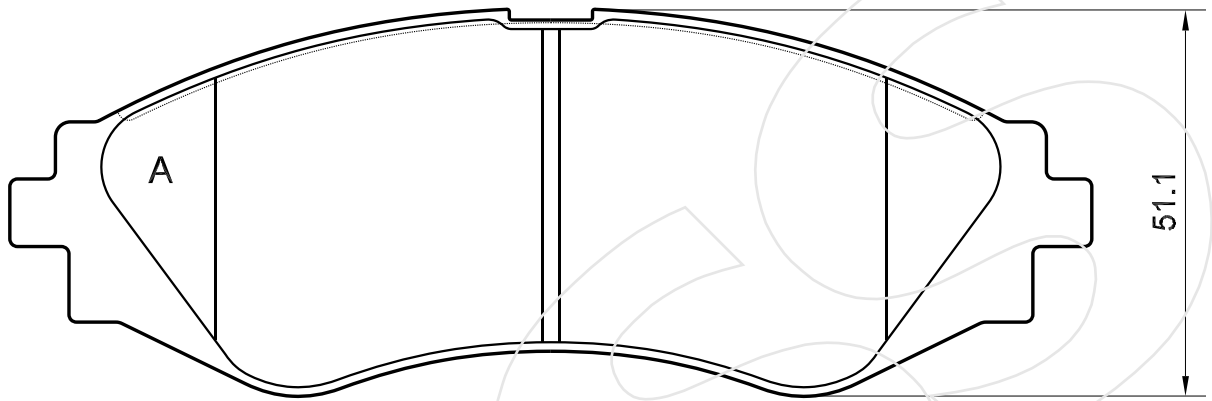
Reference in this Catalogue to other manufactures and to part numbers and other descriptions are for identification purposes only, because the above DISC BRAKE PADS are NOT ORIGINAL but with these interchangeable.

CODICE	IMPIANTO		ASSE	SCALA	APPLICAZIONI
<b>R-1233</b>	AKEBONO		POSTERIORE	1:1	MAZDA
CODICE COMPONENTI	N°	L(mm)	SERIE		
*	*	*	2 PEZZI TIPO A		
M0313	2	*	2 PEZZI TIPO B		
*	*	*	*		
*	*	*	*		
CODICE ACCESSORI	N°	L(mm)	NOTE		
*	*	*			
*	*	*			
*	*	*			
*	*	*			



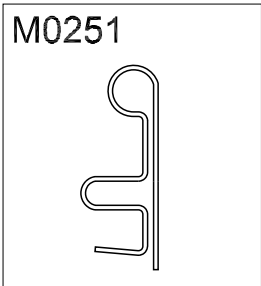
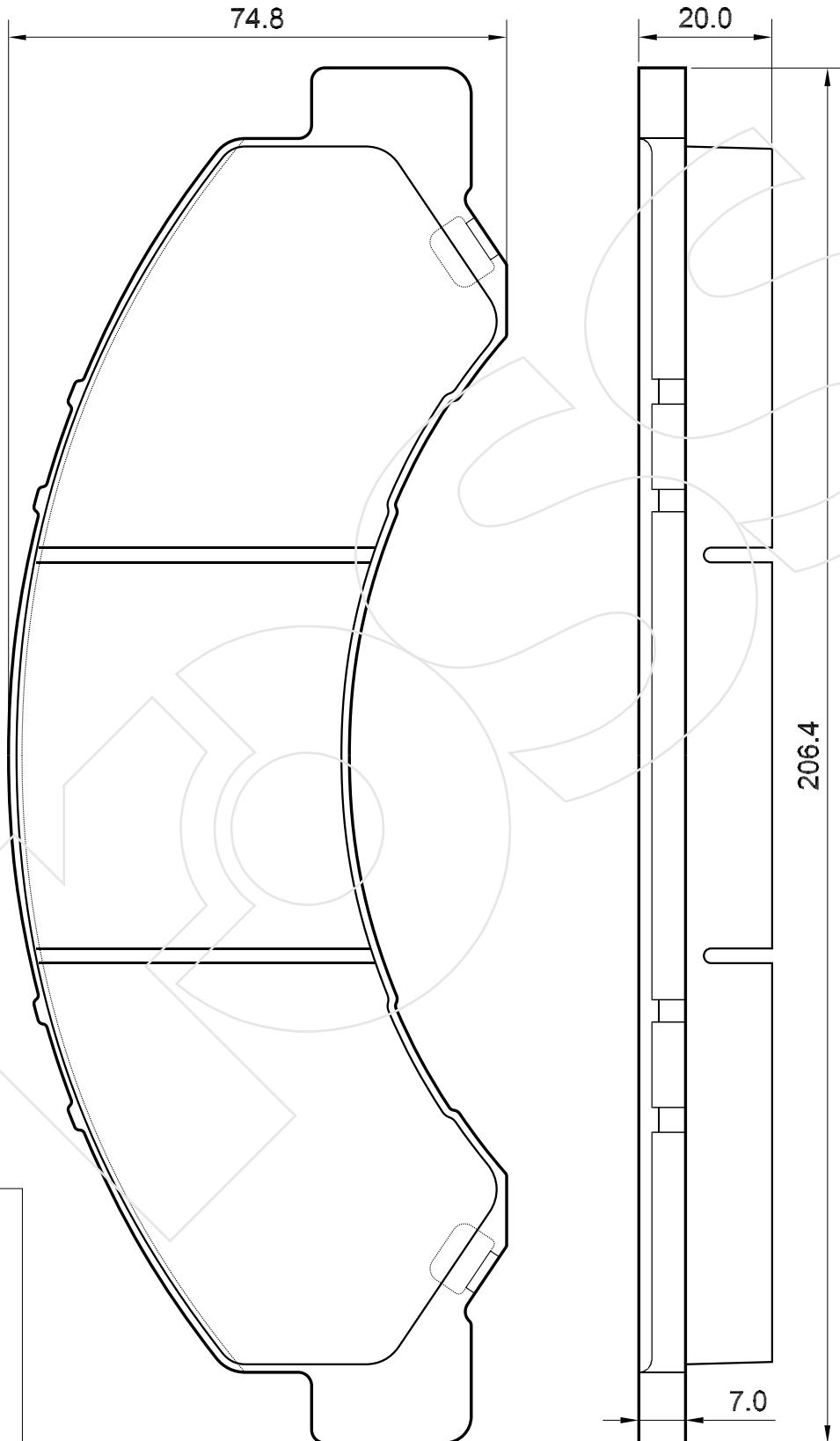
Reference in this Catalogue to other manufactures and to part numbers and other descriptions are for identification purposes only, because the above DISC BRAKE PADS are NOT ORIGINAL but with these interchangeable.

CODICE	IMPIANTO		ASSE	SCALA	APPLICAZIONI
<b>R-1234</b>	AKEBONO		ANTERIORE	1:1	DAEWOO
CODICE COMPONENTI	N°	L(mm)	SERIE		
*	*	*	2 PEZZI TIPO A		
M0074	2	*	2 PEZZI TIPO B		
*	*	*	*		
*	*	*	*		
CODICE ACCESSORI	N°	L(mm)	NOTE		
*	*	*			
*	*	*			
*	*	*			
*	*	*			



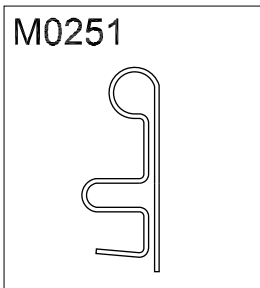
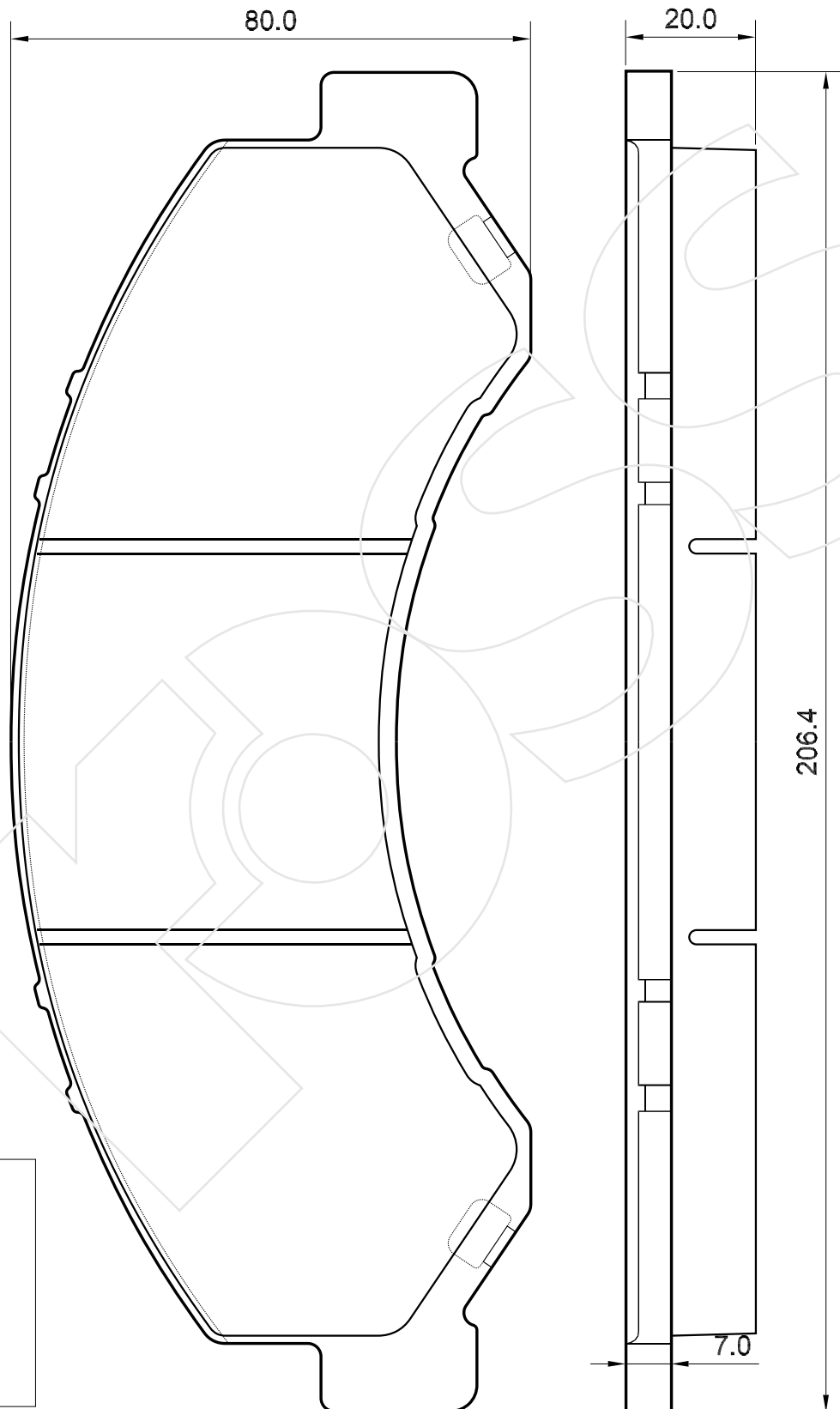
Reference in this Catalogue to other manufactures and to part numbers and other descriptions are for identification purposes only, because the above DISC BRAKE PADS are NOT ORIGINAL but with these interchangeable.

CODICE	IMPIANTO		ASSE	SCALA	APPLICAZIONI
<b>R-1235</b>	AKEBONO		ANTERIORE	1:1	ISUZU
CODICE COMPONENTI	N°	L(mm)	SERIE		
M0251	2	*	4 PEZZI		
*	*	*	*		
*	*	*	*		
*	*	*	*		
CODICE ACCESSORI	N°	L(mm)	NOTE		
*	*	*			
*	*	*			
*	*	*			
*	*	*			



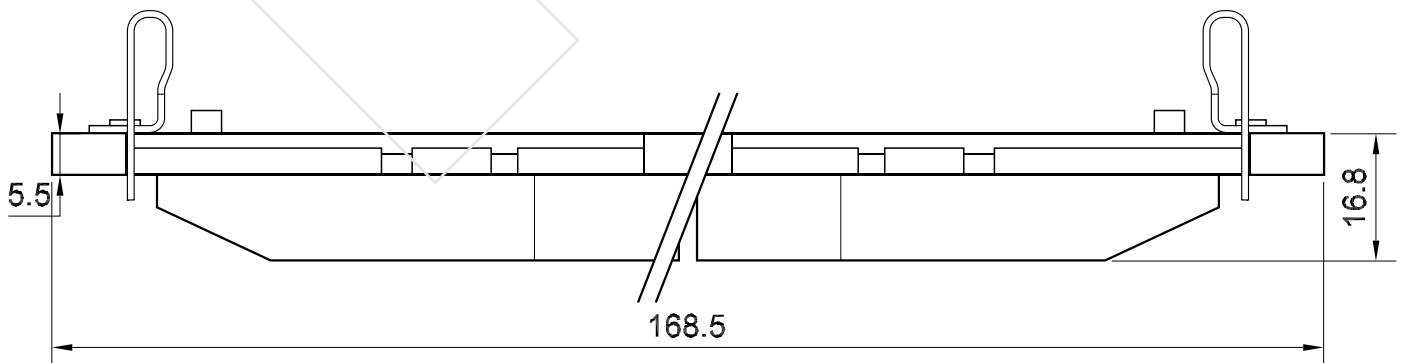
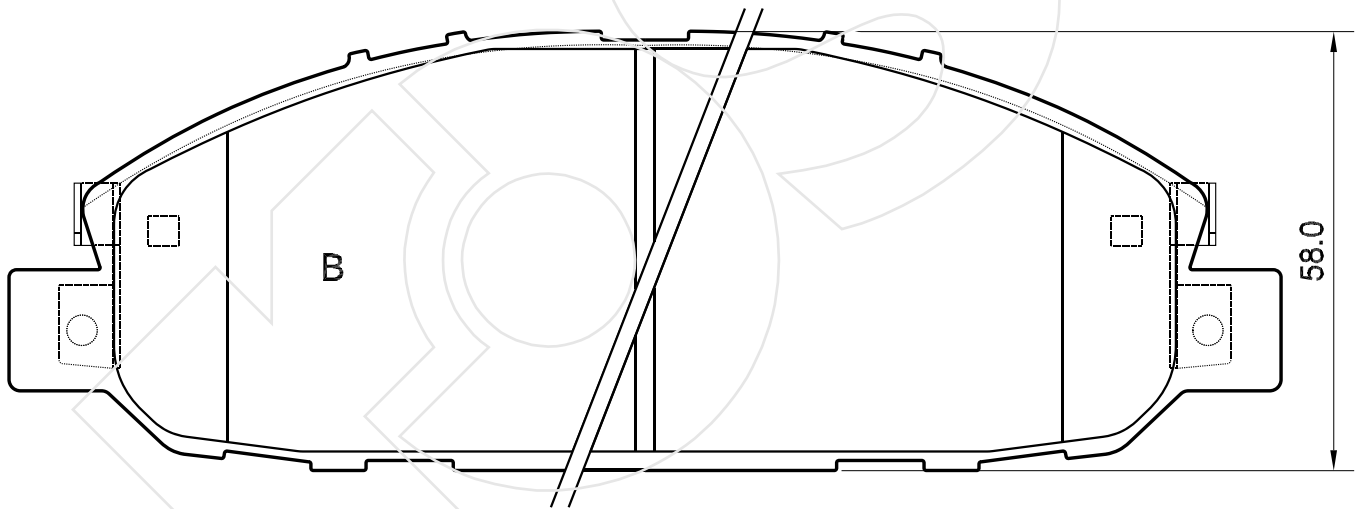
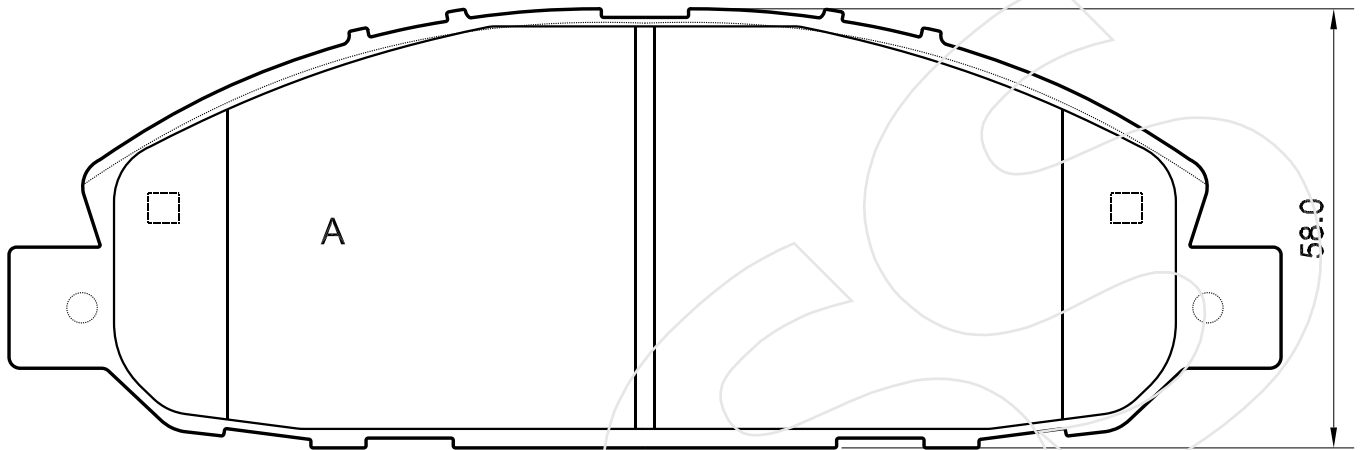
Reference in this Catalogue to other manufactures and to part numbers and other descriptions are for identification purposes only, because the above DISC BRAKE PADS are NOT ORIGINAL but with these interchangeable.

CODICE	IMPIANTO		ASSE	SCALA	APPLICAZIONI
<b>R-1236</b>	AKEBONO		ANTERIORE	1:1	ISUZU
CODICE COMPONENTI	N°	L(mm)	SERIE		
M0251	2	*	4 PEZZI		
*	*	*	*		
*	*	*	*		
*	*	*	*		
CODICE ACCESSORI	N°	L(mm)	NOTE		
*	*	*			
*	*	*			
*	*	*			
*	*	*			



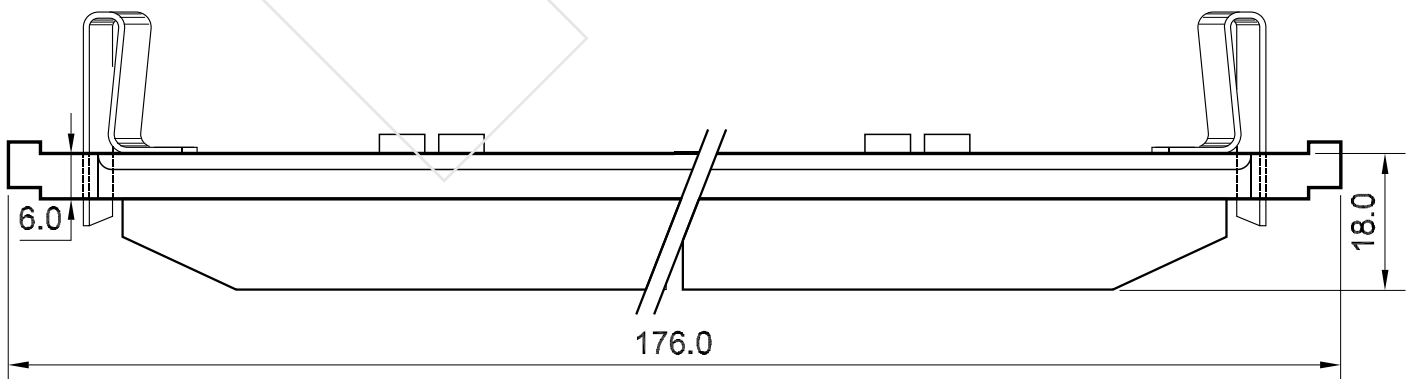
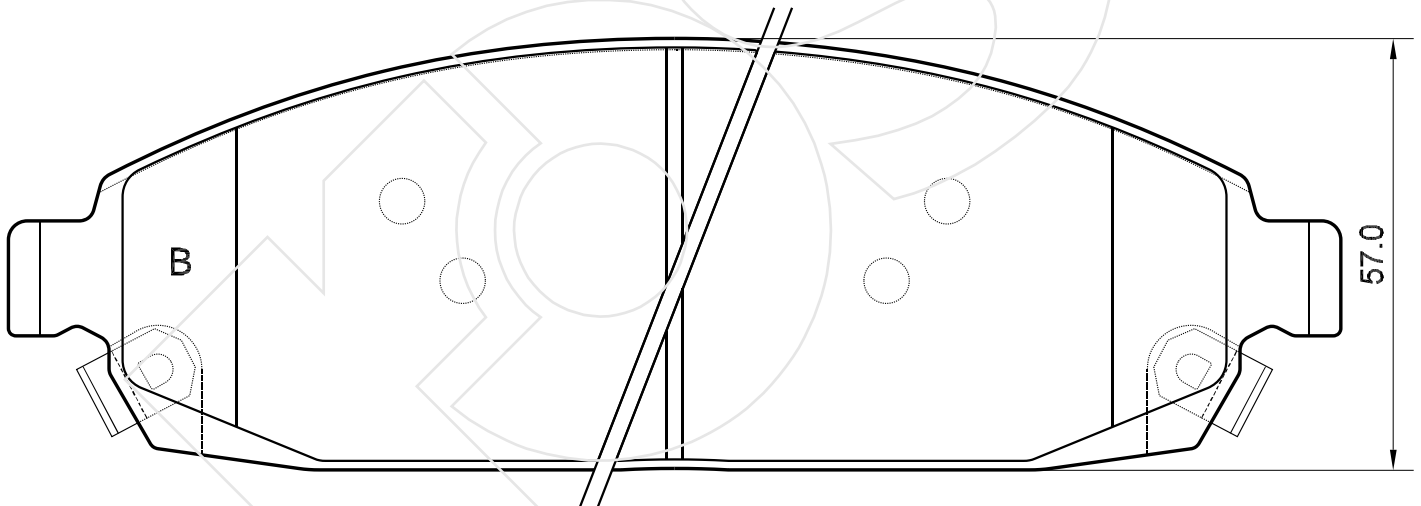
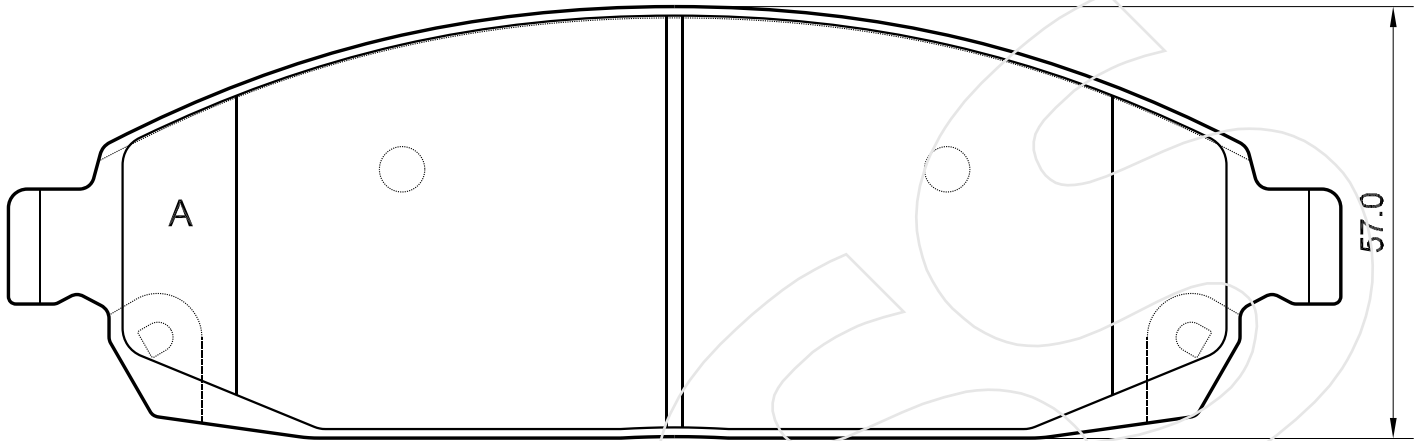
Reference in this Catalogue to other manufactures and to part numbers and other descriptions are for identification purposes only, because the above DISC BRAKE PADS are NOT ORIGINAL but with these interchangeable.

CODICE	IMPIANTO		ASSE	SCALA	APPLICAZIONI
<b>R-1237</b>	*		ANTERIORE	1:1	NISSAN
CODICE COMPONENTI	N°	L(mm)	SERIE		
*	*	*	2 PEZZI TIPO A		
*	*	*	2 PEZZI TIPO B		
*	*	*	*		
*	*	*	*		
*	*	*	*		
CODICE ACCESSORI	N°	L(mm)	NOTE		
*	*	*			
*	*	*			
*	*	*			
*	*	*			



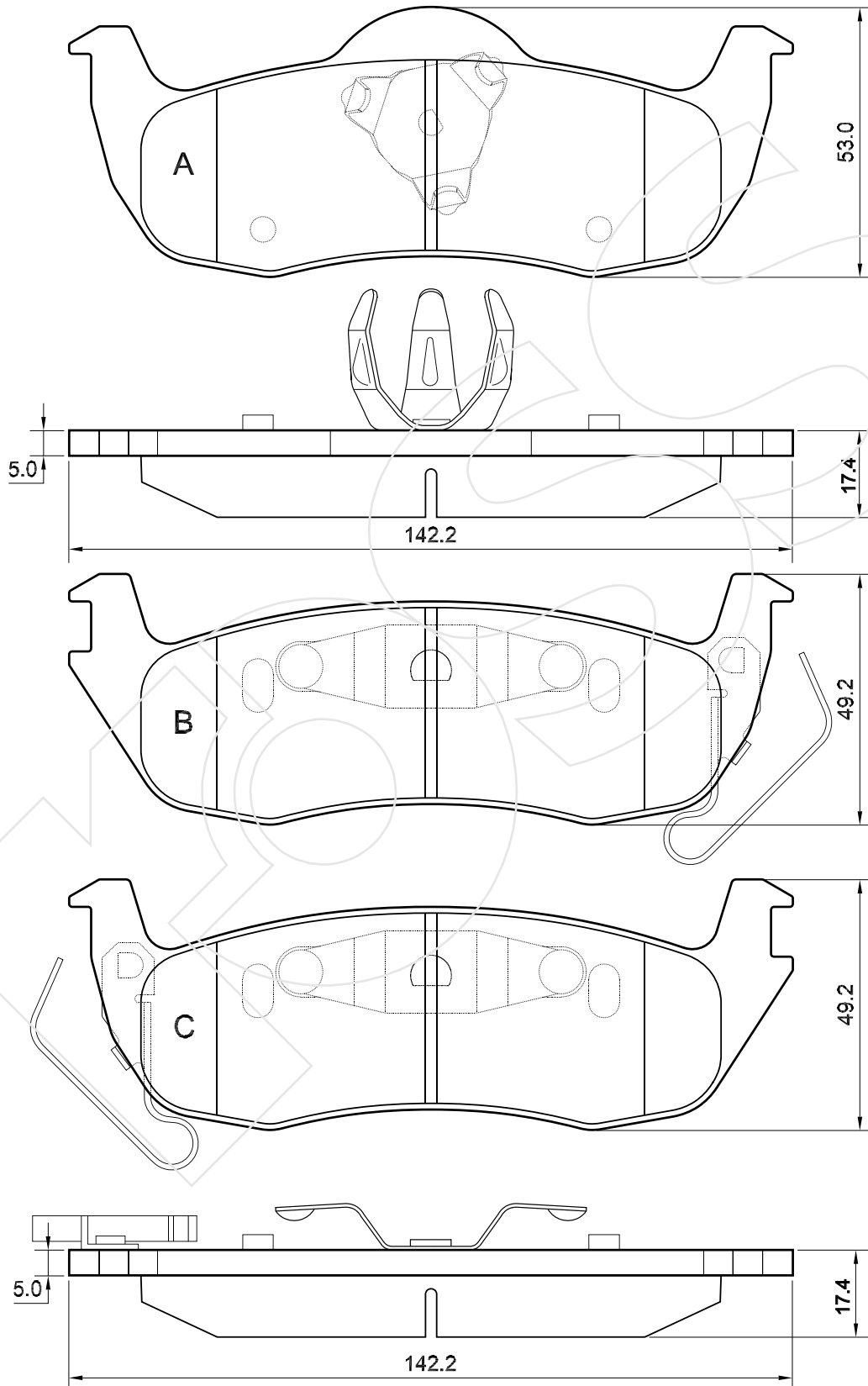
Reference in this Catalogue to other manufactures and to part numbers and other descriptions are for identification purposes only, because the above DISC BRAKE PADS are NOT ORIGINAL but with these interchangeable.

CODICE	IMPIANTO		ASSE	SCALA	APPLICAZIONI
<b>R-1238</b>	AKEBONO		ANTERIORE	1:1	JEEP
CODICE COMPONENTI	N°	L(mm)	SERIE		
*	*	*	2 PEZZI TIPO A		
*	2	*	2 PEZZI TIPO B		
*	*	*	*		
*	*	*	*		
CODICE ACCESSORI	N°	L(mm)	NOTE		
*	*	*			
*	*	*			
*	*	*			
*	*	*			



Reference in this Catalogue to other manufactures and to part numbers and other descriptions are for identification purposes only, because the above DISC BRAKE PADS are NOT ORIGINAL but with these interchangeable.

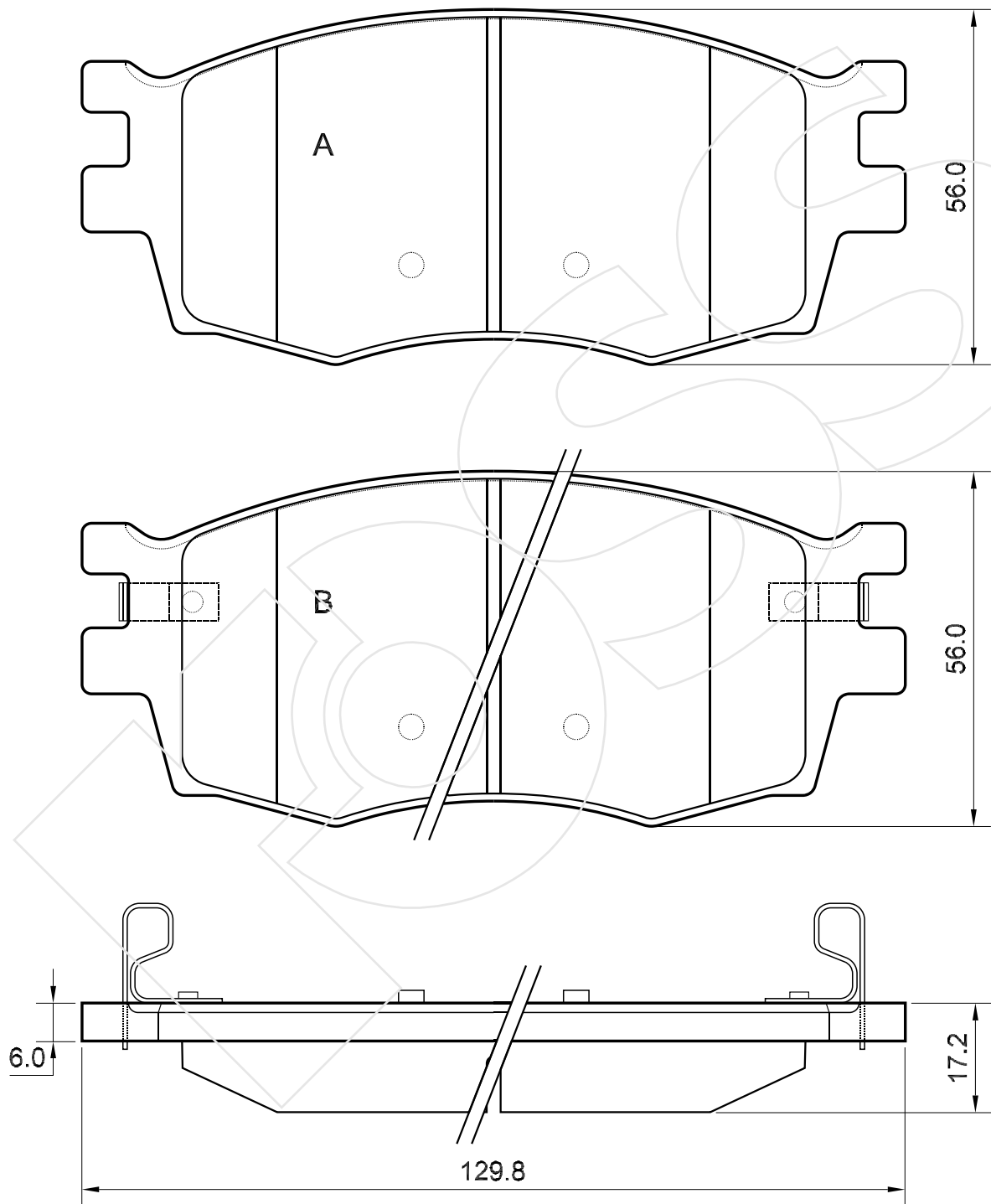
CODICE	IMPIANTO		ASSE	SCALA	APPLICAZIONI
<b>R-1239</b>	KELSEY HAYES		POSTERIORE	80%	JEEP
CODICE COMPONENTI	N°	L(mm)	SERIE		
*	*	*	2 PEZZI TIPO A		
*	*	*	1 PEZZO TIPO B		
*	*	*	1 PEZZO TIPO C		
*	*	*	*		
CODICE ACCESSORI	N°	L(mm)	NOTE		
*	*	*			
*	*	*			
*	*	*			
*	*	*			



Reference in this Catalogue to other manufactures and to part numbers and other descriptions are for identification purposes only, because the above DISC BRAKE PADS are NOT ORIGINAL but with these interchangeable.

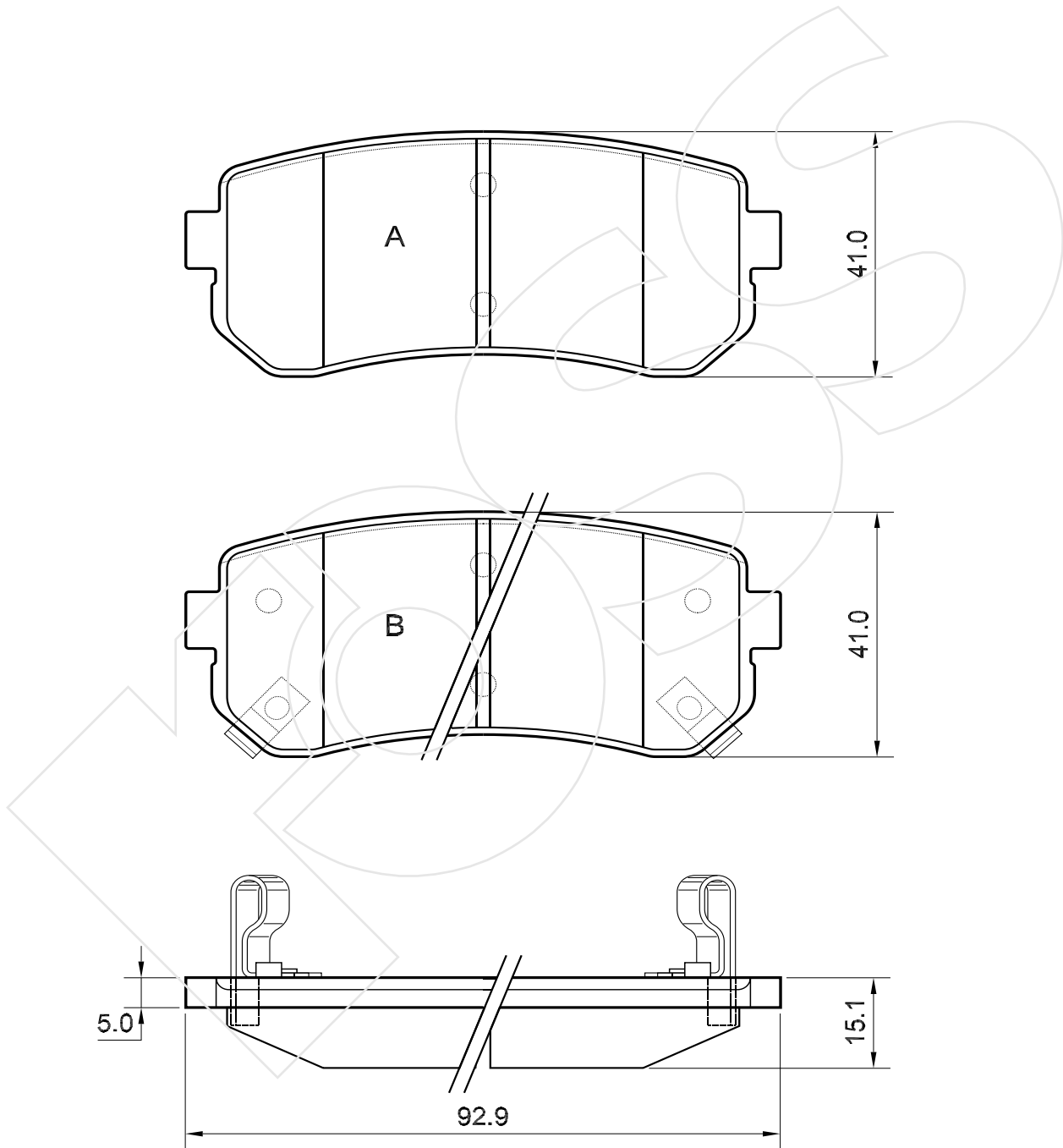


CODICE	IMPIANTO		ASSE	SCALA	APPLICAZIONI
<b>R-1240</b>	MANDO		ANTERIORE	1:1	KIA
CODICE COMPONENTI	N°	L(mm)	SERIE		
*	*	*	2 PEZZI TIPO A		
M0328	2	*	2 PEZZI TIPO B		
*	*	*	*		
*	*	*	*		
CODICE ACCESSORI	N°	L(mm)	NOTE		
*	*	*			
*	*	*			
*	*	*			
*	*	*			



Reference in this Catalogue to other manufactures and to part numbers and other descriptions are for identification purposes only, because the above DISC BRAKE PADS are NOT ORIGINAL but with these interchangeable.

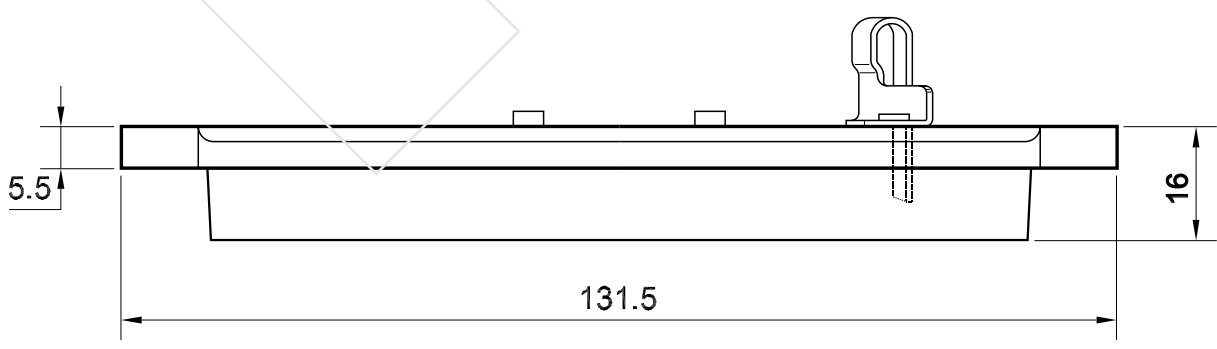
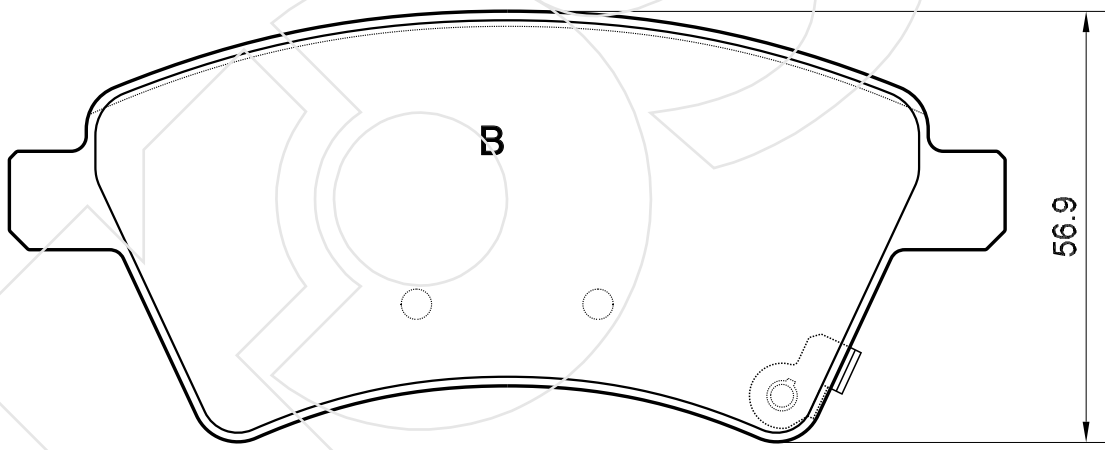
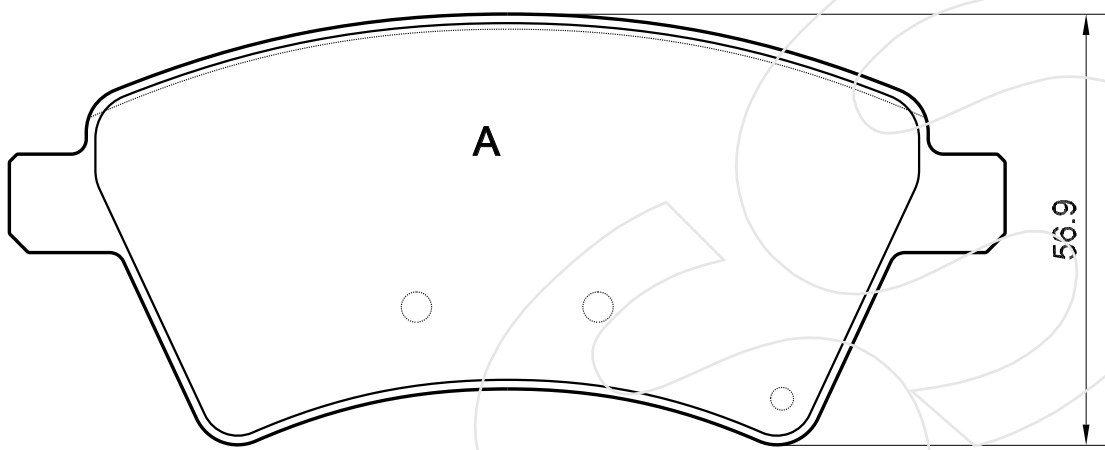
CODICE	IMPIANTO		ASSE	SCALA	APPLICAZIONI
<b>R-1241</b>	MANDO		POSTERIORE	1:1	KIA
CODICE COMPONENTI	N°	L(mm)	SERIE		
*	*	*	2 PEZZI TIPO A		
M0069	2	*	2 PEZZI TIPO B		
*	*	*	*		
*	*	*	*		
*	*	*	*		
CODICE ACCESSORI	N°	L(mm)	NOTE		
*	*	*			
*	*	*			
*	*	*			
*	*	*			



Reference in this Catalogue to other manufactures and to part numbers and other descriptions are for identification purposes only, because the above DISC BRAKE PADS are NOT ORIGINAL but with these interchangeable.

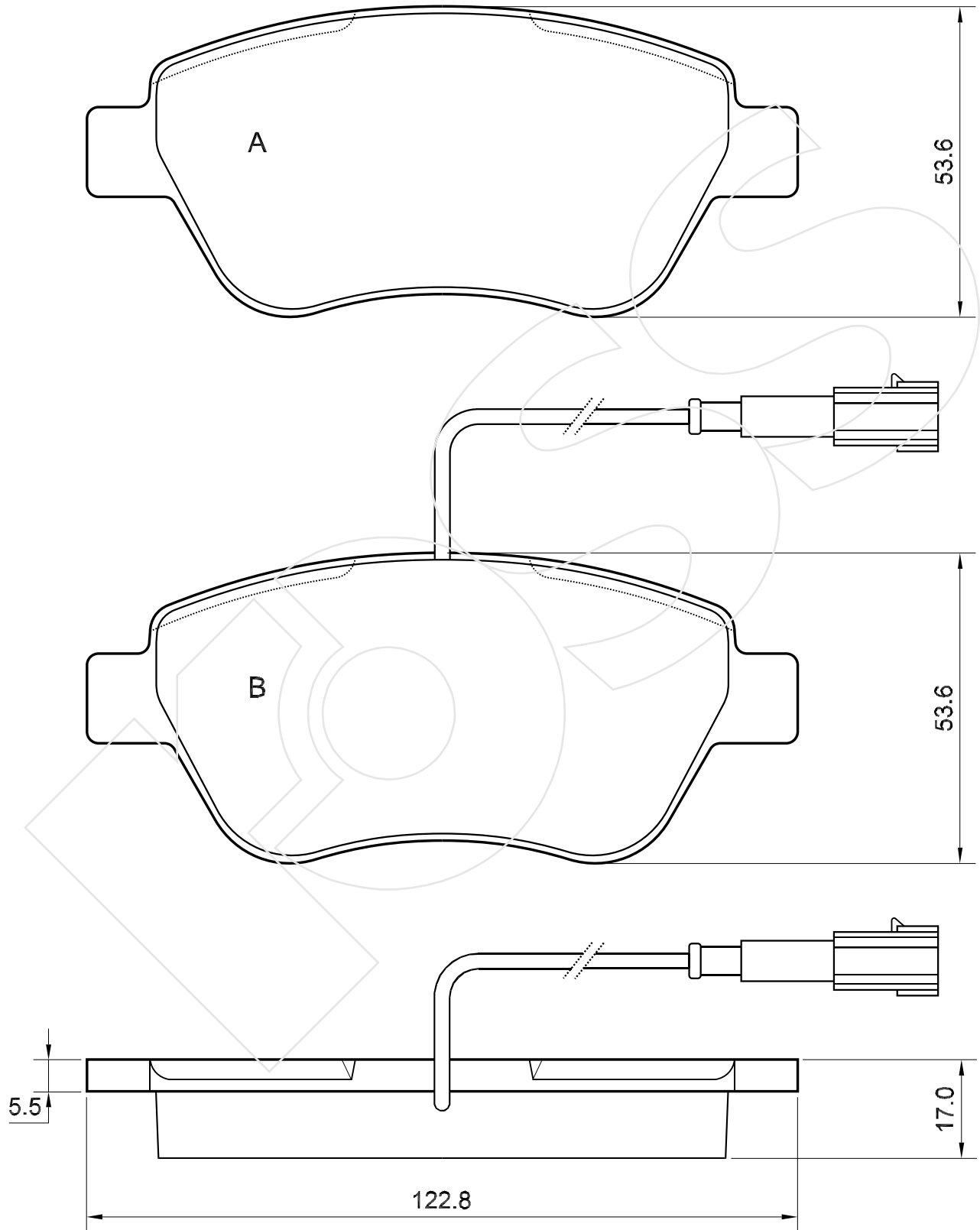
CODICE	IMPIANTO		ASSE	SCALA	APPLICAZIONI
<b>R-1242</b>	LUCAS		ANTERIORE	1:1	FIAT
CODICE COMPONENTI	N°	L(mm)	SERIE		
*	*	*	3 PEZZI TIPO A		
M0095	1	*	1 PEZZO TIPO B		
*	*	*	*		
*	*	*	*		
CODICE ACCESSORI	N°	L(mm)	NOTE		
*	*	*			
*	*	*			
*	*	*			
*	*	*			

SUZUKI



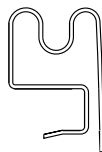
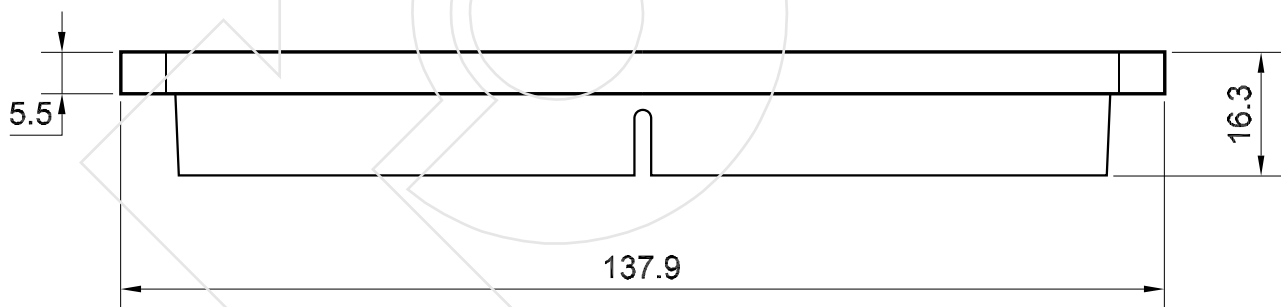
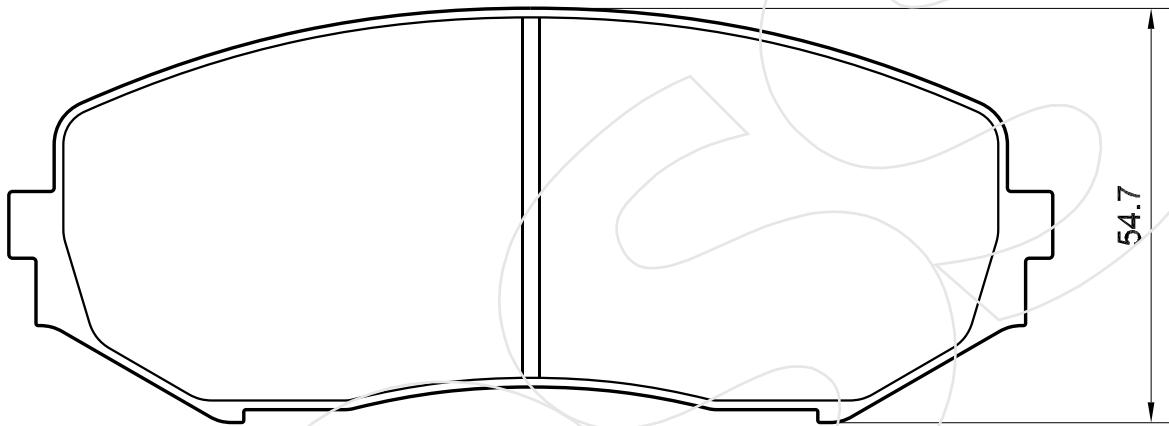
Reference in this Catalogue to other manufactures and to part numbers and other descriptions are for identification purposes only, because the above DISC BRAKE PADS are NOT ORIGINAL but with these interchangeable.

CODICE	IMPIANTO		ASSE	SCALA	APPLICAZIONI
<b>R-1243</b>	BOSCH		ANTERIORE	1:1	FIAT LANCIA
CODICE COMPONENTI	N°	L(mm)	SERIE		
*	*	*	3 PEZZI TIPO A		
F3019	1	200	1 PEZZO TIPO B		
*	*	*	*		
*	*	*	*		
CODICE ACCESSORI	N°	L(mm)	NOTE		
*	*	*			
*	*	*			
*	*	*			
*	*	*			



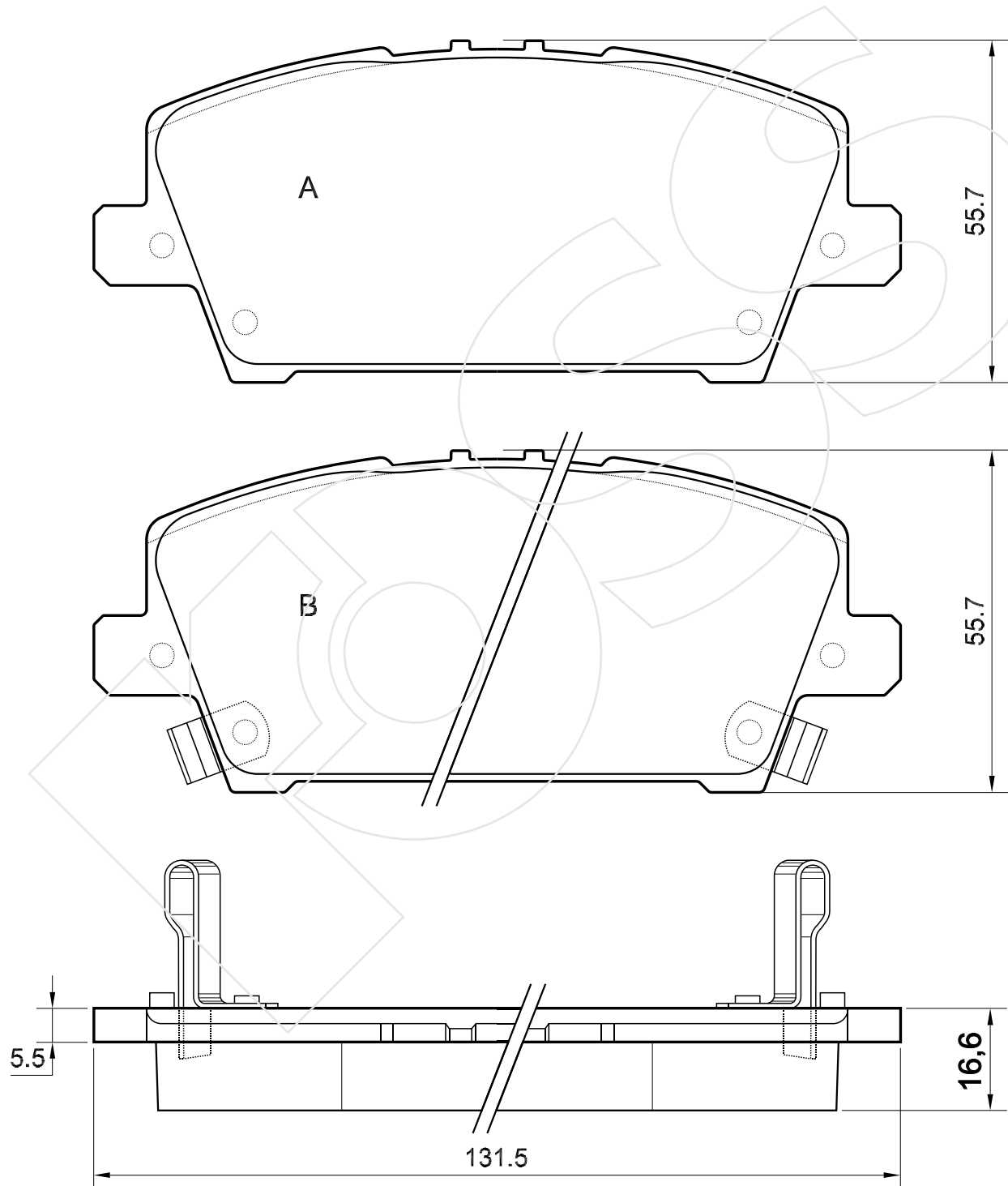
Reference in this Catalogue to other manufactures and to part numbers and other descriptions are for identification purposes only, because the above DISC BRAKE PADS are NOT ORIGINAL but with these interchangeable.

CODICE	IMPIANTO		ASSE	SCALA	APPLICAZIONI
<b>R-1244</b>	*		ANTERIORE	1:1	SUZUKI
CODICE COMPONENTI	N°	L(mm)	SERIE		
M0141	2	*	4 PEZZI		
*	*	*	*		
*	*	*	*		
*	*	*	*		
CODICE ACCESSORI	N°	L(mm)	NOTE		
*	*	*			
*	*	*			
*	*	*			
*	*	*			



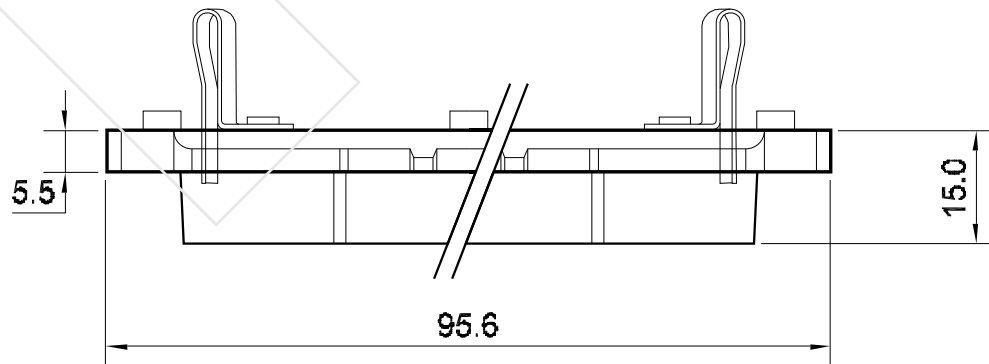
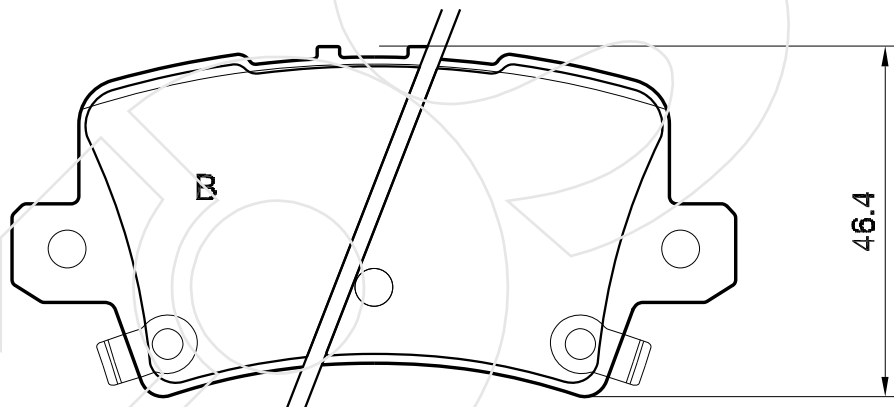
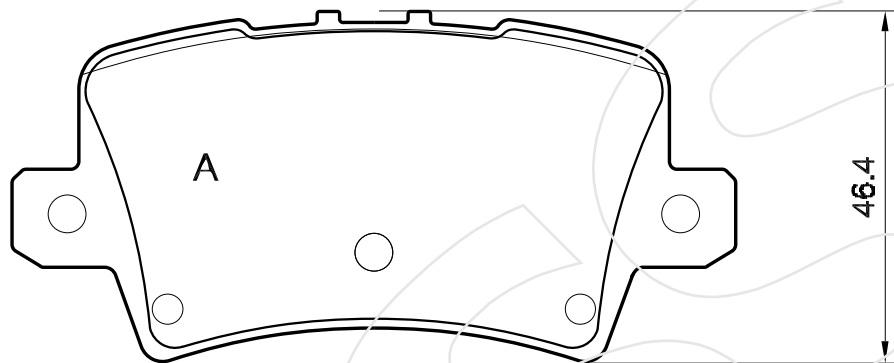
Reference in this Catalogue to other manufactures and to part numbers and other descriptions are for identification purposes only, because the above DISC BRAKE PADS are NOT ORIGINAL but with these interchangeable.

CODICE	IMPIANTO		ASSE	SCALA	APPLICAZIONI
<b>R-1245</b>	*		ANTERIORE	1:1	HONDA: CIVIC VII
CODICE COMPONENTI	N°	L(mm)	SERIE		
*	*	*	2 PEZZI TIPO A		
M0036	2	*	2 PEZZI TIPO B		
*	*	*	*		
*	*	*	*		
CODICE ACCESSORI	N°	L(mm)	NOTE		
*	*	*			
*	*	*			
*	*	*			
*	*	*			



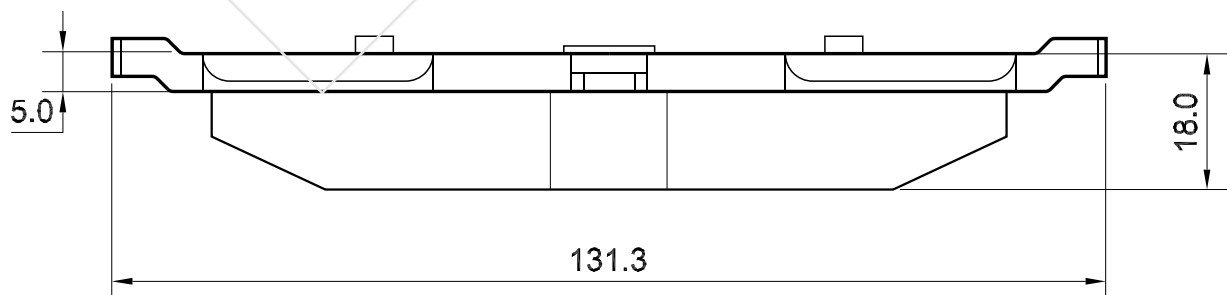
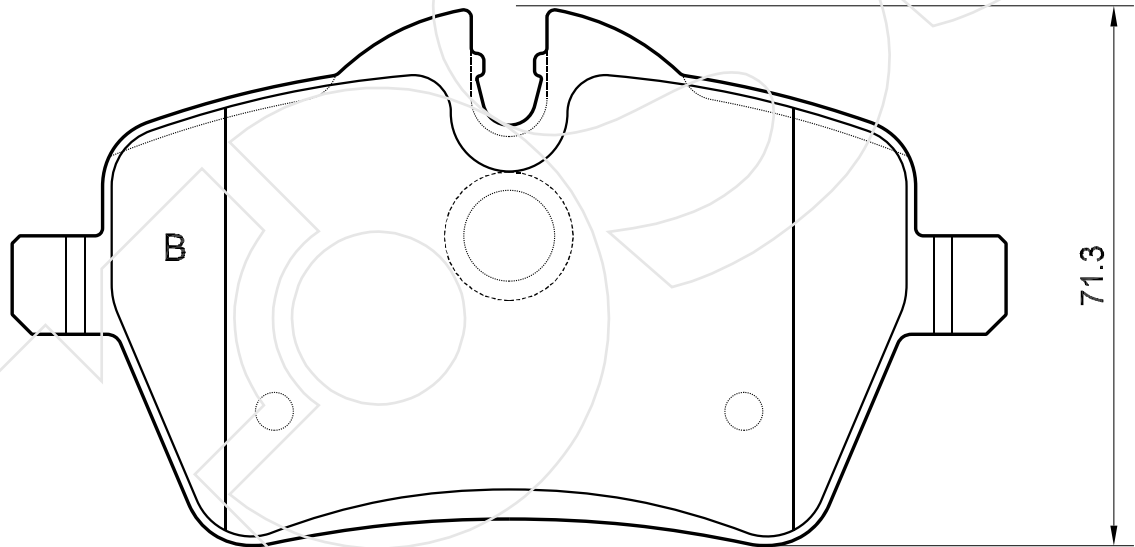
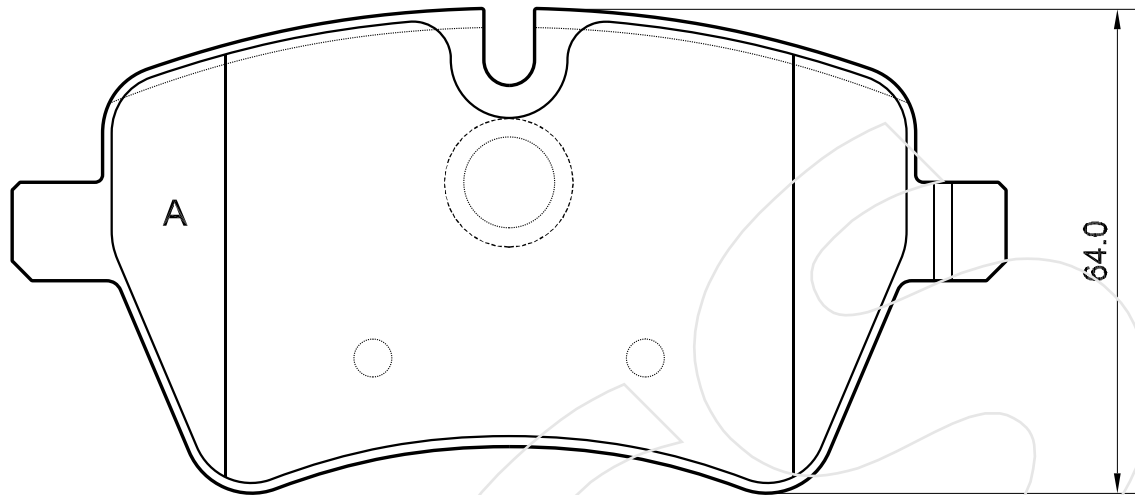
Reference in this Catalogue to other manufactures and to part numbers and other descriptions are for identification purposes only, because the above DISC BRAKE PADS are NOT ORIGINAL but with these interchangeable.

CODICE	IMPIANTO		ASSE	SCALA	APPLICAZIONI
<b>R-1246</b>	LUCAS		POSTERIORE	1:1	HONDA
CODICE COMPONENTI	N°	L(mm)	SERIE		
*	*	*	2 PEZZI TIPO A		
M0290	2	*	2 PEZZI TIPO B		
*	*	*	*		
*	*	*	*		
CODICE ACCESSORI	N°	L(mm)	NOTE		
V-2004	4	*			
*	*	*			
*	*	*			
*	*	*			



Reference in this Catalogue to other manufactures and to part numbers and other descriptions are for identification purposes only, because the above DISC BRAKE PADS are NOT ORIGINAL but with these interchangeable.

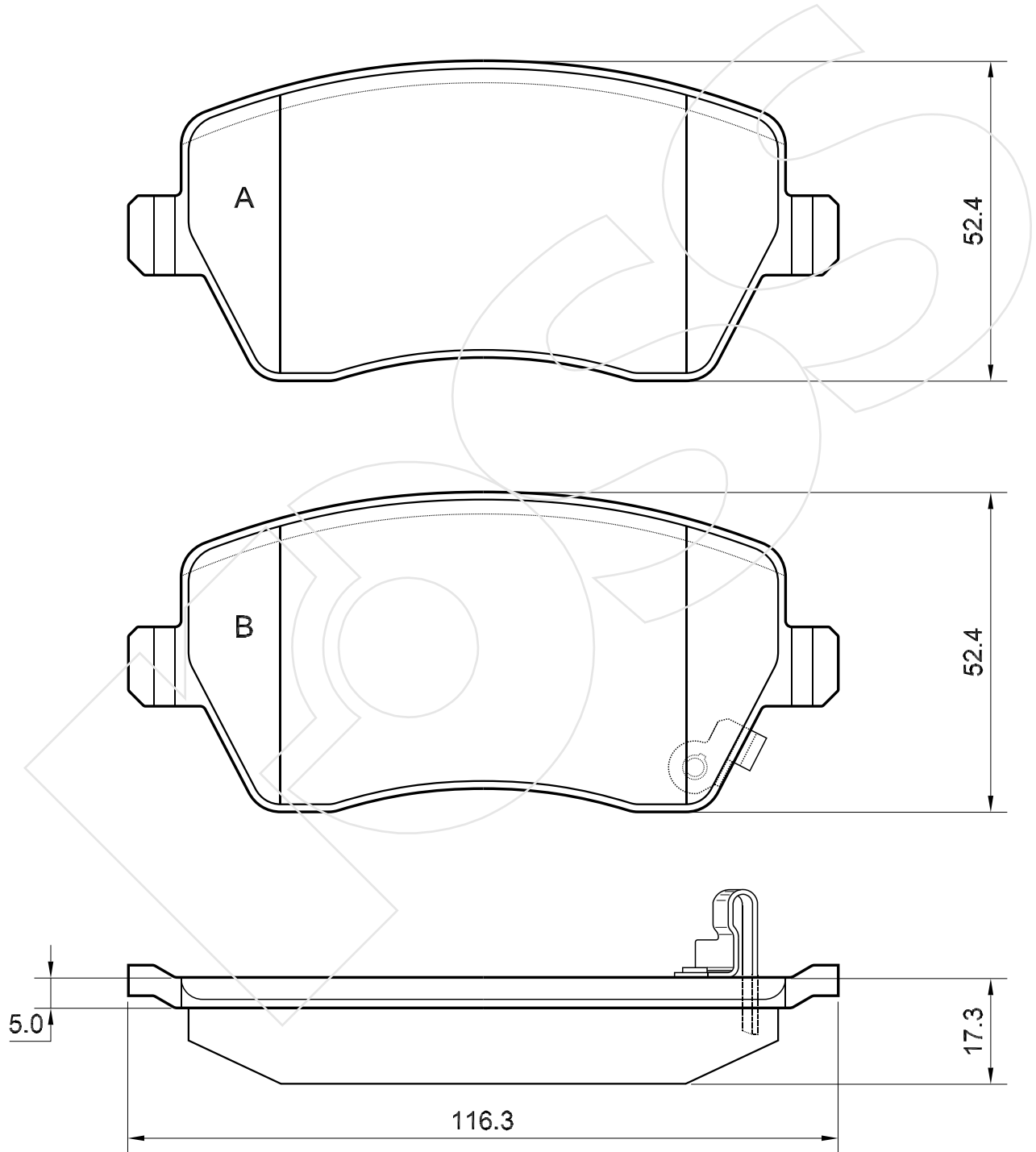
CODICE	IMPIANTO		ASSE	SCALA	APPLICAZIONI
<b>R-1247</b>	LUCAS		ANTERIORE	1:1	MINI (BMW)
CODICE COMPONENTI	N°	L(mm)	SERIE		
*	*	*	2 PEZZI TIPO A		
*	*	*	2 PEZZI TIPO B		
*	*	*	*		
*	*	*	*		
CODICE ACCESSORI	N°	L(mm)	NOTE		
*	*	*			
*	*	*			
*	*	*			
*	*	*			



Reference in this Catalogue to other manufactures and to part numbers and other descriptions are for identification purposes only, because the above DISC BRAKE PADS are NOT ORIGINAL but with these interchangeable.

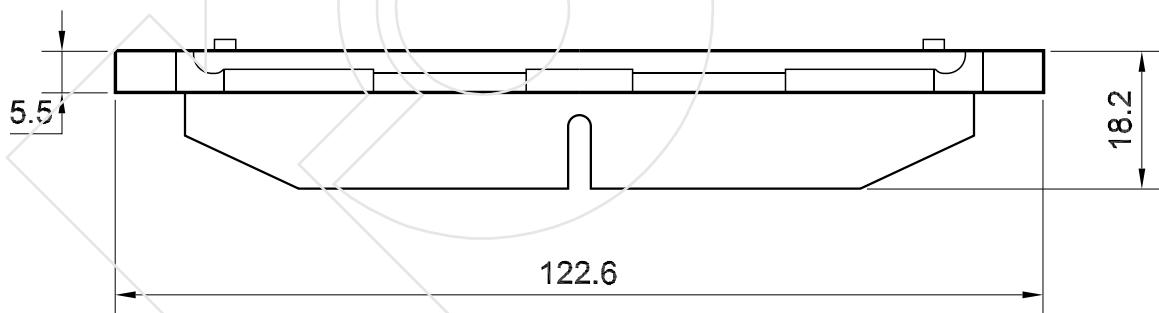
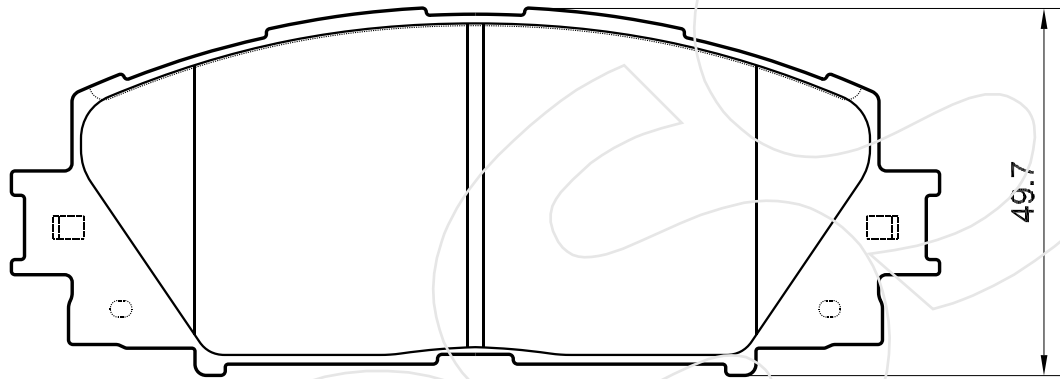


CODICE	IMPIANTO		ASSE	SCALA	APPLICAZIONI
<b>R-1248</b>	GIRLING		ANTERIORE	100%	SUZUKI
CODICE COMPONENTI	N°	L(mm)	SERIE		
*	*	*	3 PEZZI TIPO A		
M0095	1	*	1 PEZZO TIPO B		
*	*	*	*		
*	*	*	*		
CODICE ACCESSORI	N°	L(mm)	NOTE		
*	*	*			
*	*	*			
*	*	*			
*	*	*			



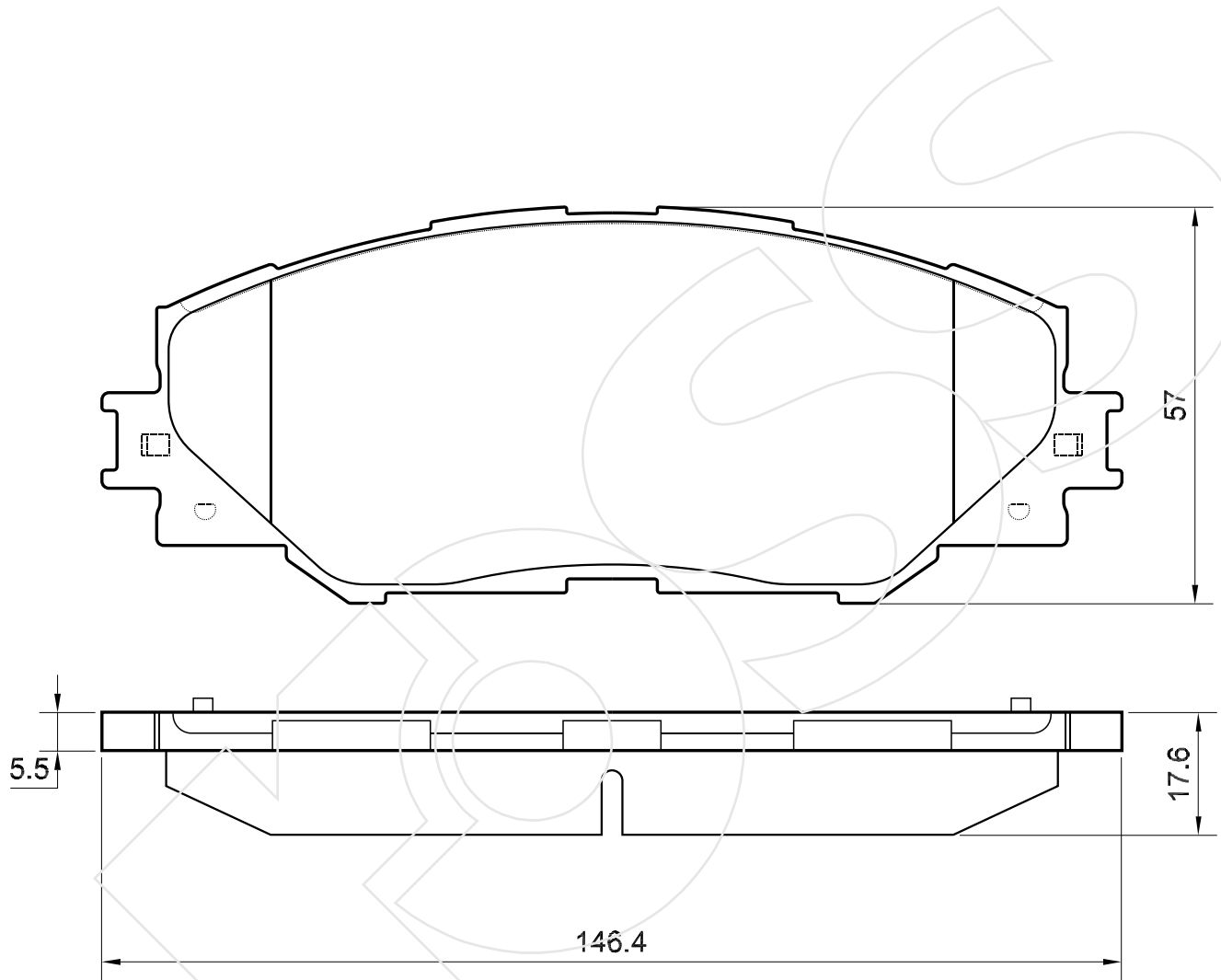
Reference in this Catalogue to other manufactures and to part numbers and other descriptions are for identification purposes only, because the above DISC BRAKE PADS are NOT ORIGINAL but with these interchangeable.

CODICE	IMPIANTO		ASSE	SCALA	APPLICAZIONI
<b>R-1249</b>	AKEBONO		ANTERIORE	1:1	TOYOTA
CODICE COMPONENTI	N°	L(mm)	SERIE		
*	*	*	4 PEZZI		
*	*	*			
*	*	*			
*	*	*			
CODICE ACCESSORI	N°	L(mm)	NOTE		
*	*	*			
*	*	*			
*	*	*			
*	*	*			



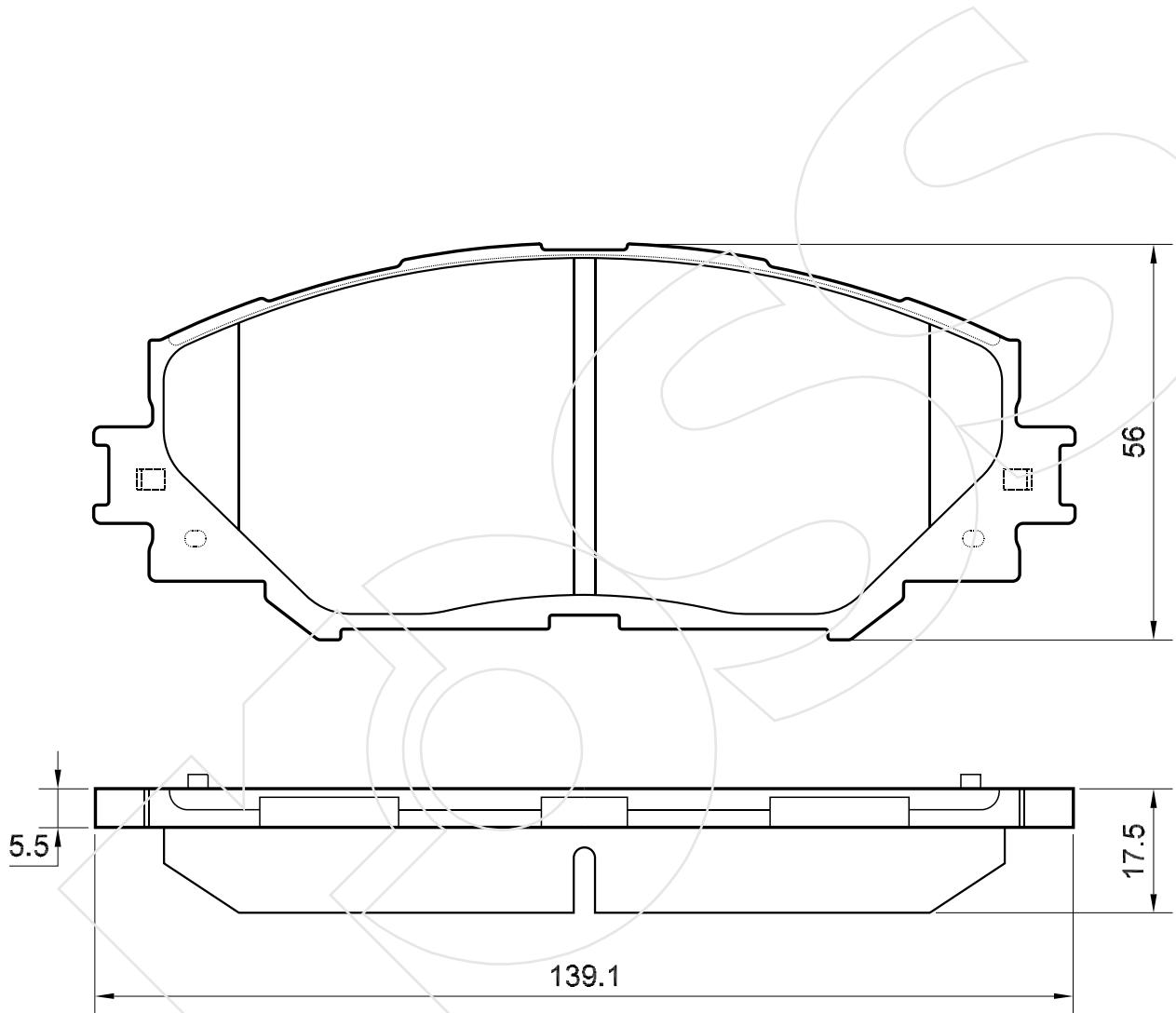
Reference in this Catalogue to other manufactures and to part numbers and other descriptions are for identification purposes only, because the above DISC BRAKE PADS are NOT ORIGINAL but with these interchangeable.

CODICE	IMPIANTO		ASSE	SCALA	APPLICAZIONI
<b>R-1250</b>	AKEBONO		ANTERIORE	1:1	TOYOTA
CODICE COMPONENTI	N°	L(mm)	SERIE		
*	*	*	4 PEZZI		
*	*	*			
*	*	*			
*	*	*			
CODICE ACCESSORI	N°	L(mm)	NOTE		
*	*	*			
*	*	*			
*	*	*			
*	*	*			



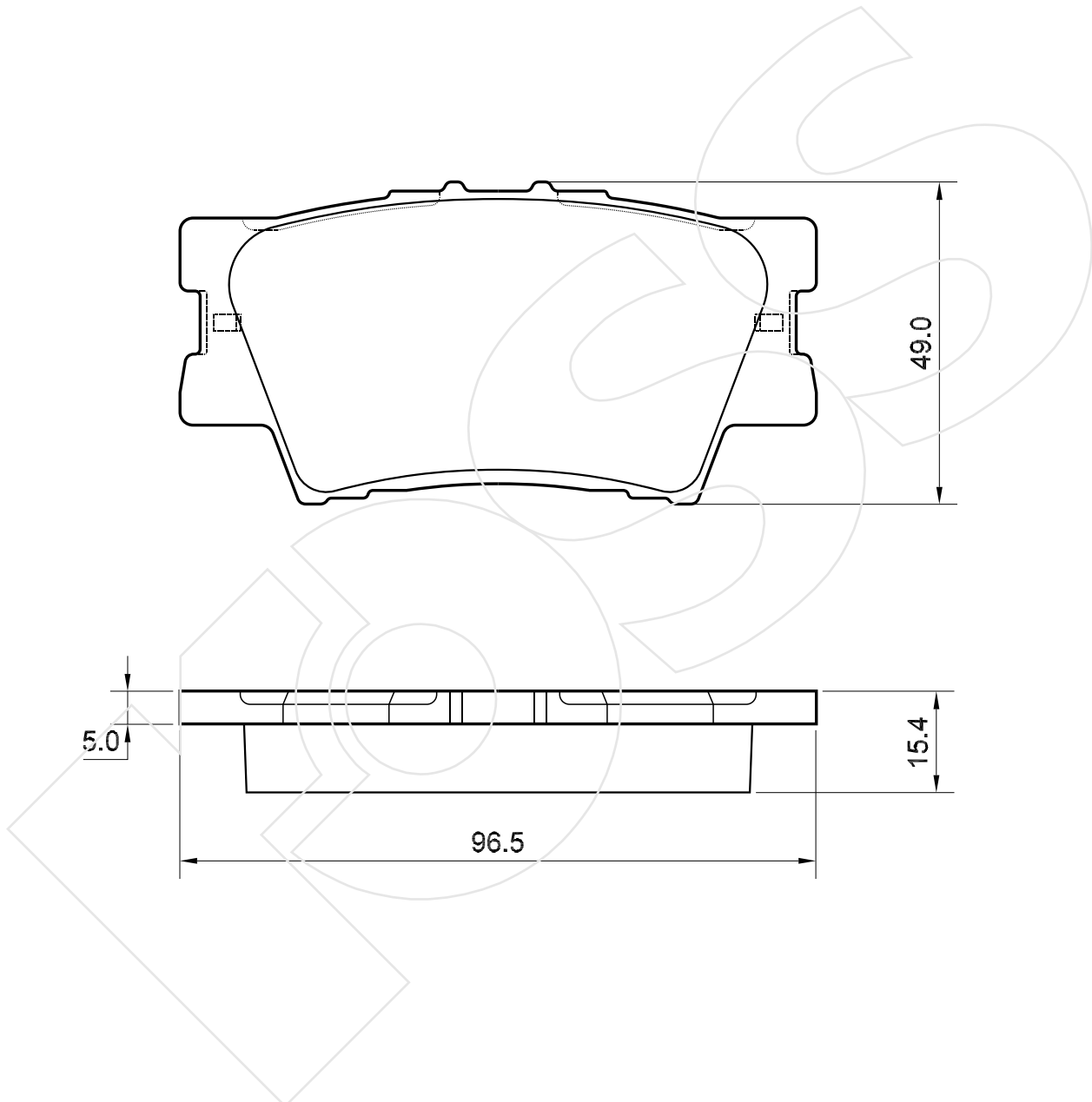
Reference in this Catalogue to other manufactures and to part numbers and other descriptions are for identification purposes only, because the above DISC BRAKE PADS are NOT ORIGINAL but with these interchangeable.

CODICE	IMPIANTO		ASSE	SCALA	APPLICAZIONI
<b>R-1251</b>	AKEBONO		ANTERIORE	1:1	TOYOTA
CODICE COMPONENTI	N°	L(mm)	SERIE		
*	*	*	4 PEZZI		
*	*	*			
*	*	*			
*	*	*			
CODICE ACCESSORI	N°	L(mm)	NOTE		
*	*	*			
*	*	*			
*	*	*			
*	*	*			



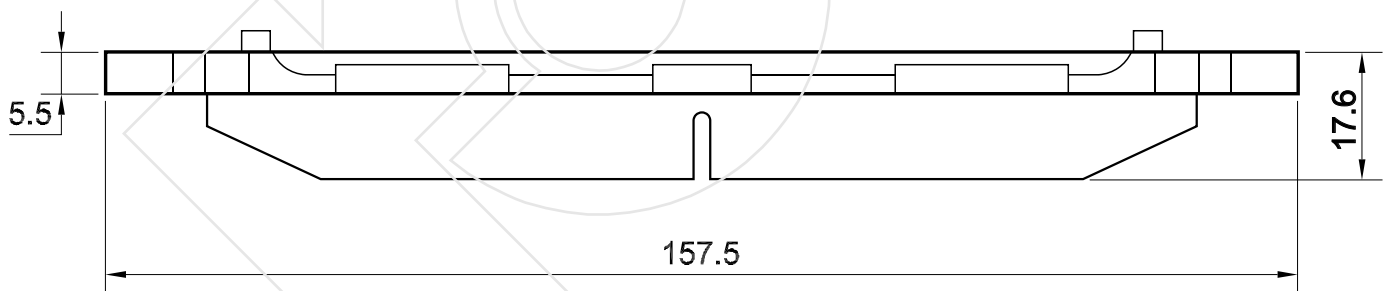
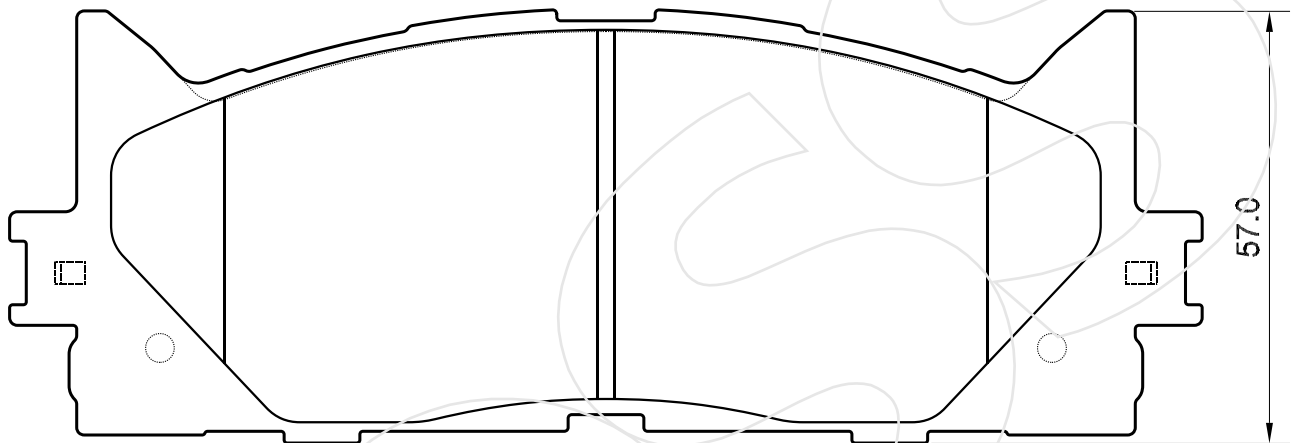
Reference in this Catalogue to other manufactures and to part numbers and other descriptions are for identification purposes only, because the above DISC BRAKE PADS are NOT ORIGINAL but with these interchangeable.

CODICE	IMPIANTO		ASSE	SCALA	APPLICAZIONI
<b>R-1252</b>	AKEBONO		POSTERIORE	1:1	TOYOTA
CODICE COMPONENTI	N°	L(mm)	SERIE		
*	*	*	4 PEZZI		
*	*	*	*		
*	*	*	*		
*	*	*	*		
CODICE ACCESSORI	N°	L(mm)	NOTE		
*	*	*			
*	*	*			
*	*	*			
*	*	*			



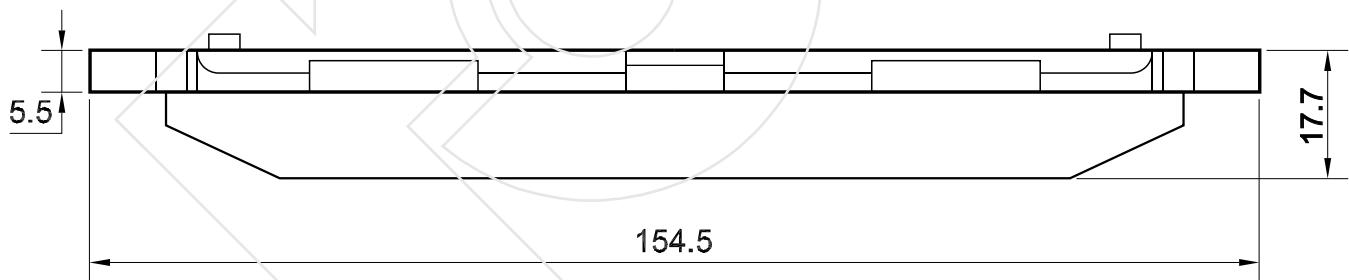
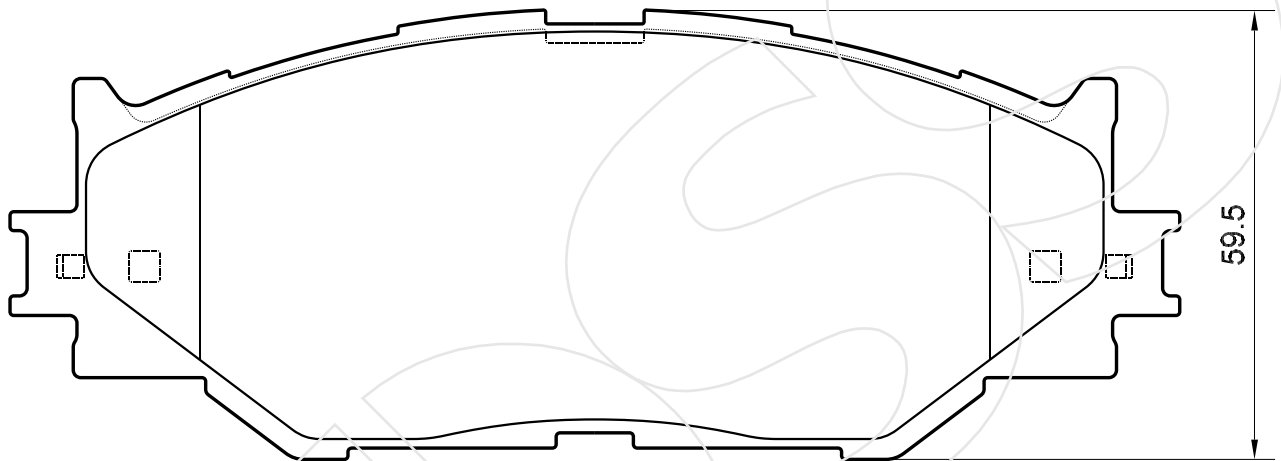
Reference in this Catalogue to other manufactures and to part numbers and other descriptions are for identification purposes only, because the above DISC BRAKE PADS are NOT ORIGINAL but with these interchangeable.

CODICE	IMPIANTO		ASSE	SCALA	APPLICAZIONI
<b>R-1253</b>	AKEBONO		ANTERIORE	1:1	TOYOTA
CODICE COMPONENTI	N°	L(mm)	SERIE		
*	*	*	4 PEZZI		
*	*	*			
*	*	*			
*	*	*			
CODICE ACCESSORI	N°	L(mm)	NOTE		
*	*	*			
*	*	*			
*	*	*			
*	*	*			



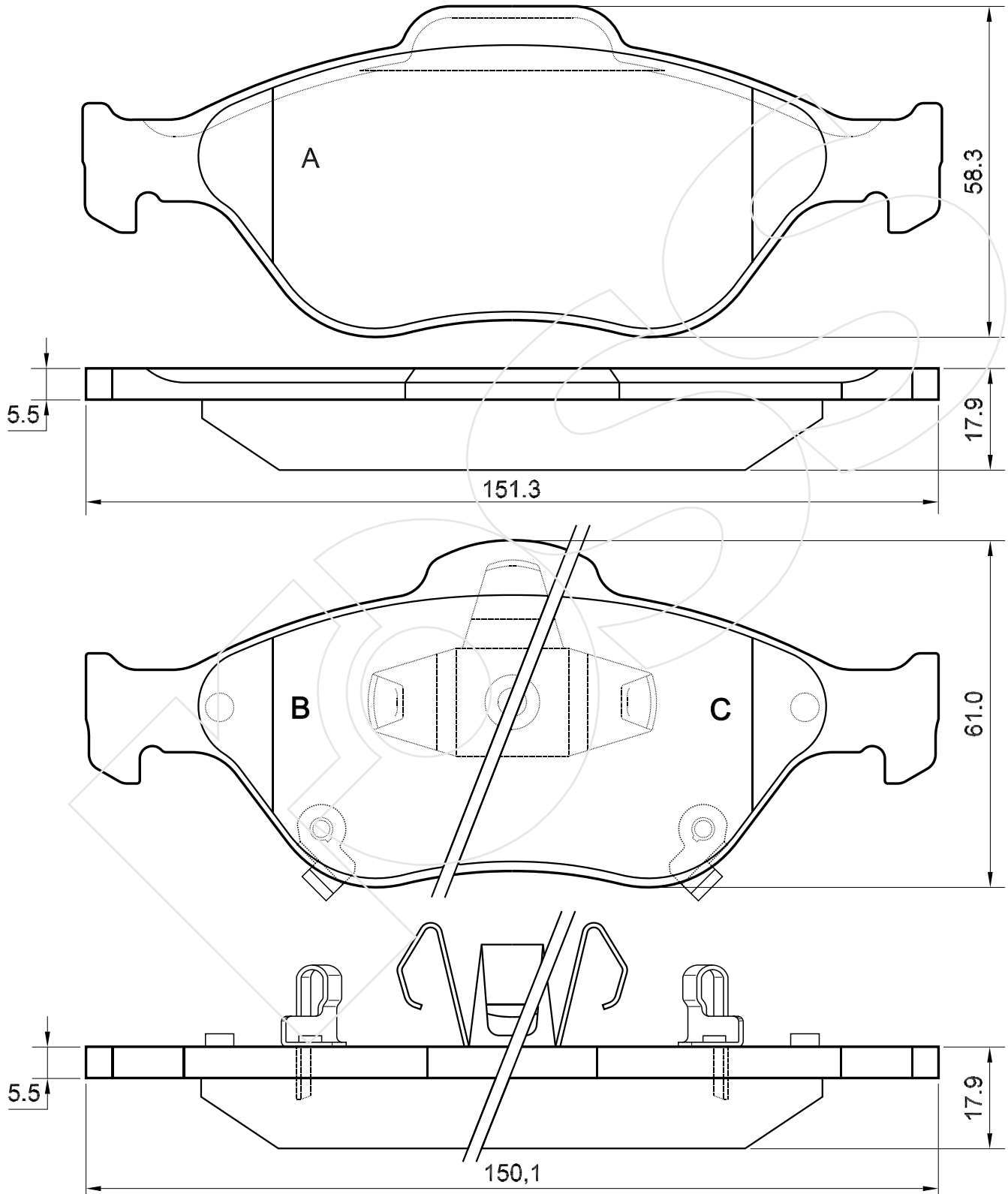
Reference in this Catalogue to other manufactures and to part numbers and other descriptions are for identification purposes only, because the above DISC BRAKE PADS are NOT ORIGINAL but with these interchangeable.

CODICE	IMPIANTO		ASSE	SCALA	APPLICAZIONI
<b>R-1254</b>	AKEBONO		ANTERIORE	1:1	LEXUS
CODICE COMPONENTI	N°	L(mm)	SERIE		
*	*	*	4 PEZZI		
*	*	*			
*	*	*			
*	*	*			
CODICE ACCESSORI	N°	L(mm)	NOTE		
*	*	*			
*	*	*			
*	*	*			
*	*	*			



Reference in this Catalogue to other manufactures and to part numbers and other descriptions are for identification purposes only, because the above DISC BRAKE PADS are NOT ORIGINAL but with these interchangeable.

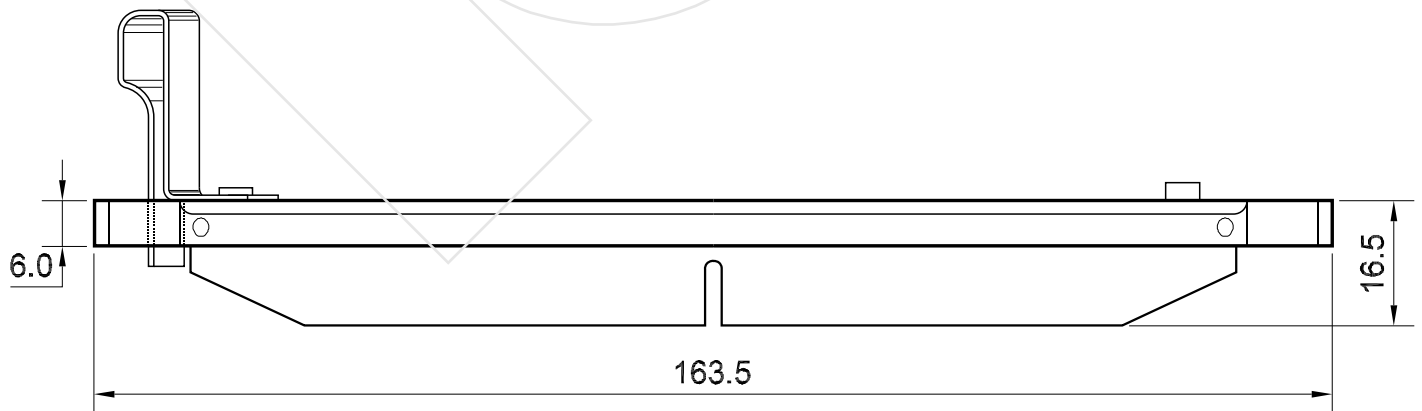
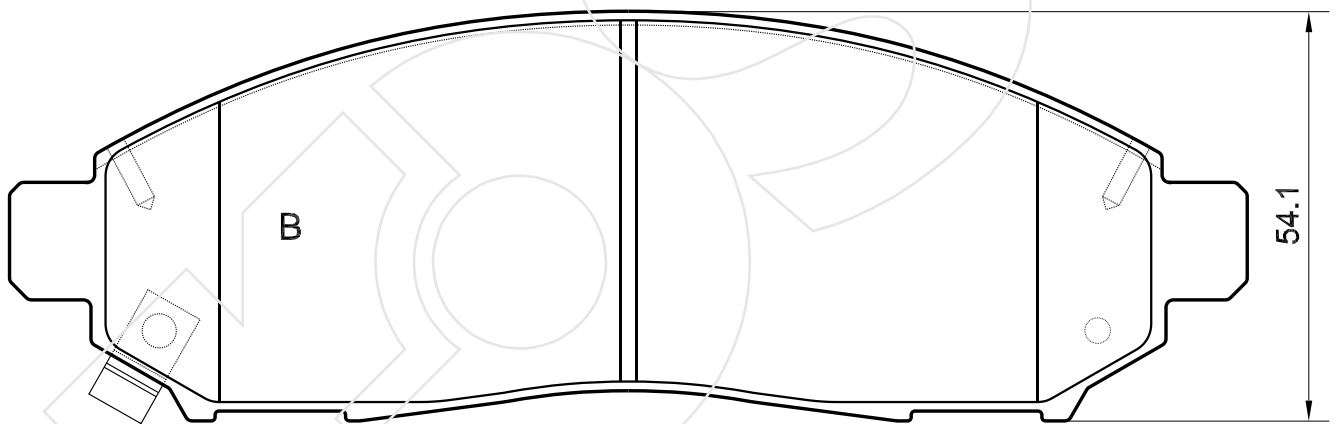
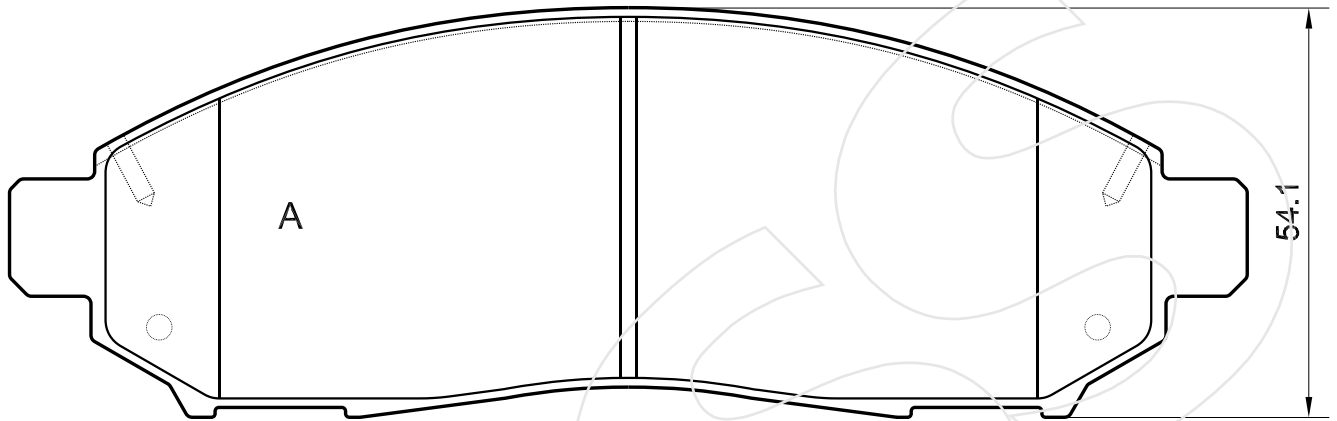
CODICE	IMPIANTO		ASSE	SCALA	APPLICAZIONI
<b>R-1255</b>	ATE		ANTERIORE	1:1	TOYOTA
CODICE COMPONENTI	N°	L(mm)	SERIE		
*	*	*	2 PEZZI TIPO A		
M0162+M0094	1+1	*	1 PEZZO TIPO B		
M0162+M0095	1+1	*	1 PEZZO TIPO C		
*	*	*	*		
CODICE ACCESSORI	N°	L(mm)	NOTE		
*	*	*			
*	*	*			
*	*	*			
*	*	*			



Reference in this Catalogue to other manufactures and to part numbers and other descriptions are for identification purposes only, because the above DISC BRAKE PADS are NOT ORIGINAL but with these interchangeable.

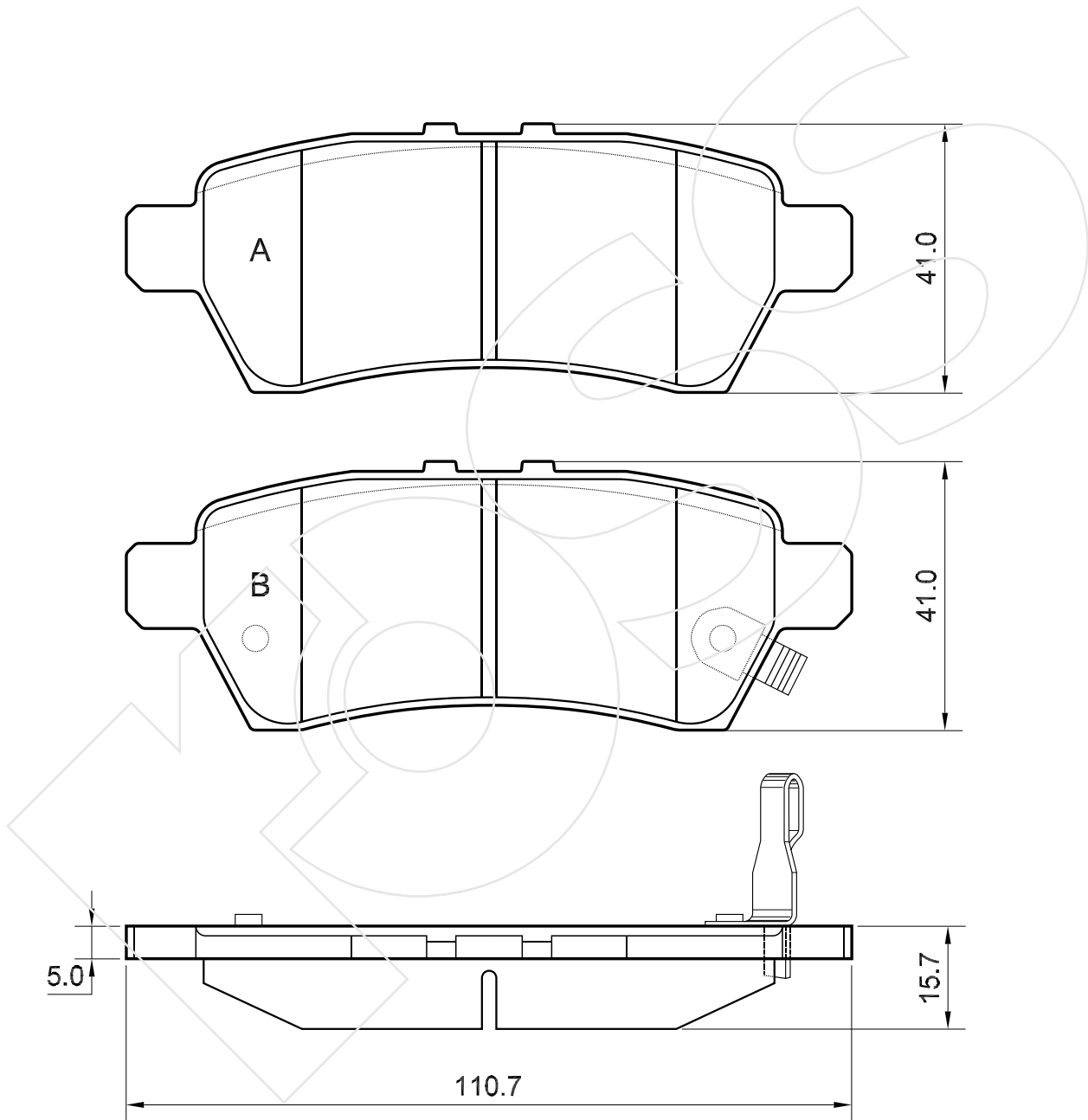


CODICE	IMPIANTO		ASSE	SCALA	APPLICAZIONI
<b>R-1256</b>	TOKICO		ANTERIORE	1:1	NISSAN
CODICE COMPONENTI	N°	L(mm)	SERIE		
*	*	*	3 PEZZI TIPO A		
M0177	1	*	1 PEZZO TIPO B		
*	*	*	*		
*	*	*	*		
*	*	*	*		
CODICE ACCESSORI	N°	L(mm)	NOTE		
*	*	*			
*	*	*			
*	*	*			
*	*	*			



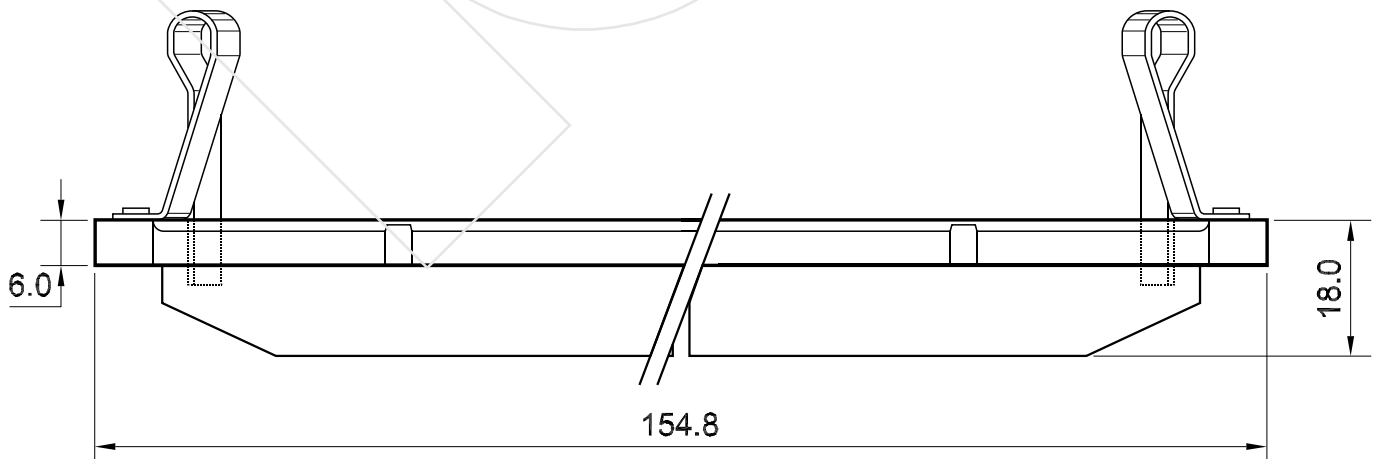
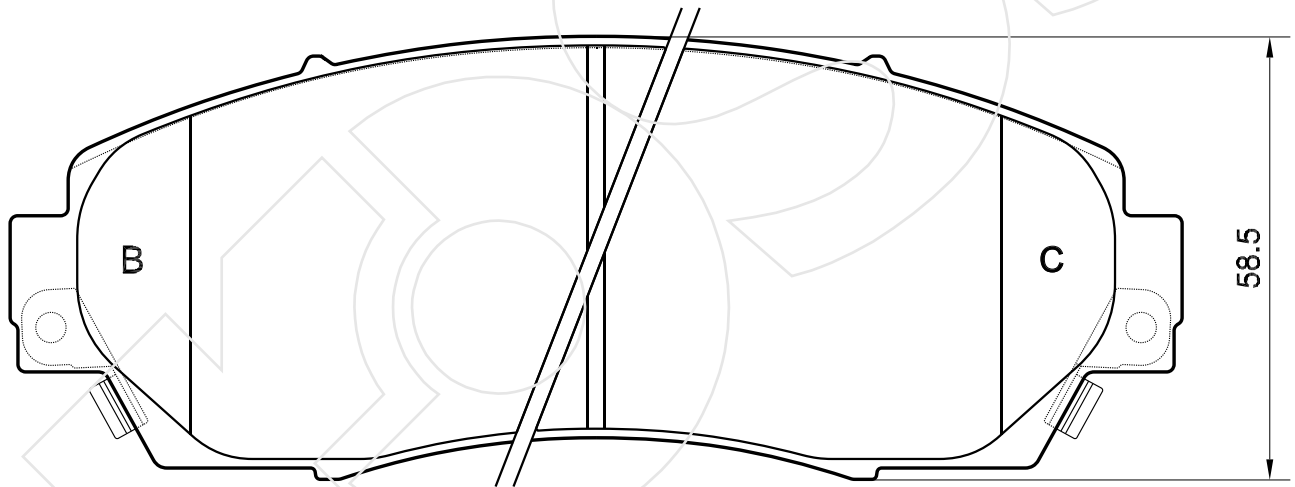
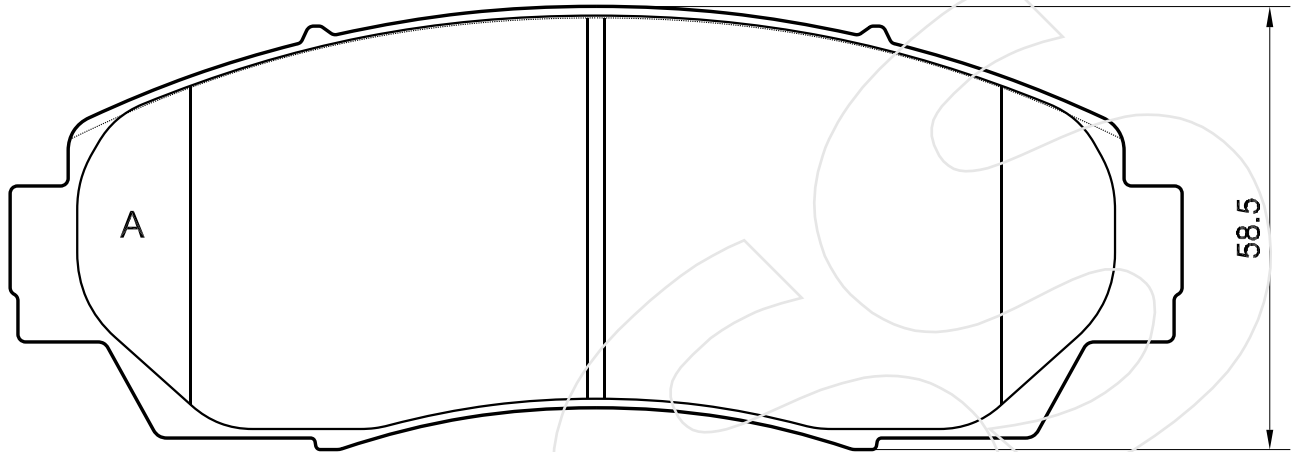
Reference in this Catalogue to other manufactures and to part numbers and other descriptions are for identification purposes only, because the above DISC BRAKE PADS are NOT ORIGINAL but with these interchangeable.

CODICE	IMPIANTO		ASSE	SCALA	APPLICAZIONI
<b>R-1257</b>	TOKICO		POSTERIORE	1:1	NISSAN
CODICE COMPONENTI	N°	L(mm)	SERIE		
*	*	*	3 PEZZI TIPO A		
M0313	1	*	1 PEZZO TIPO B		
*	*	*	*		
*	*	*	*		
CODICE ACCESSORI	N°	L(mm)	NOTE		
*	*	*			
*	*	*			
*	*	*			
*	*	*			



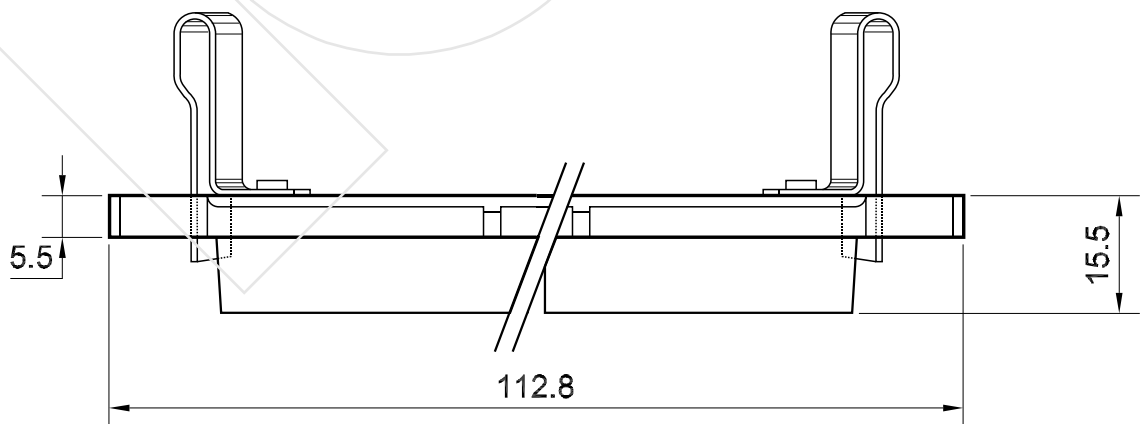
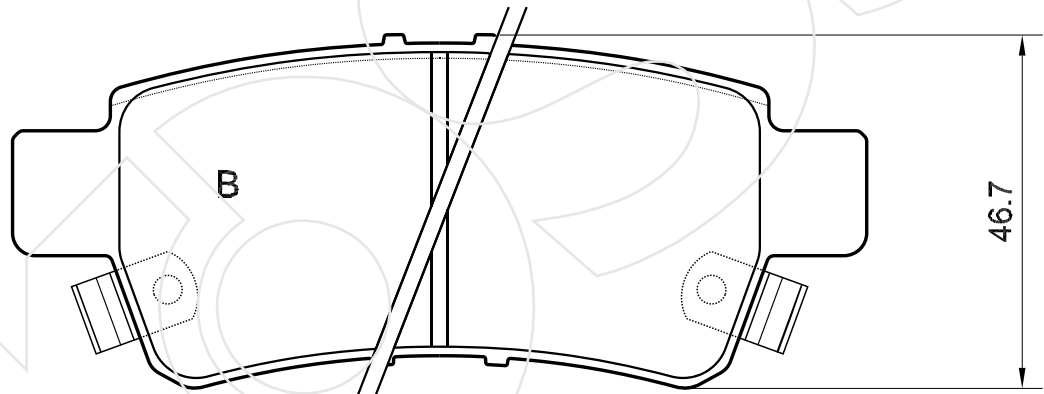
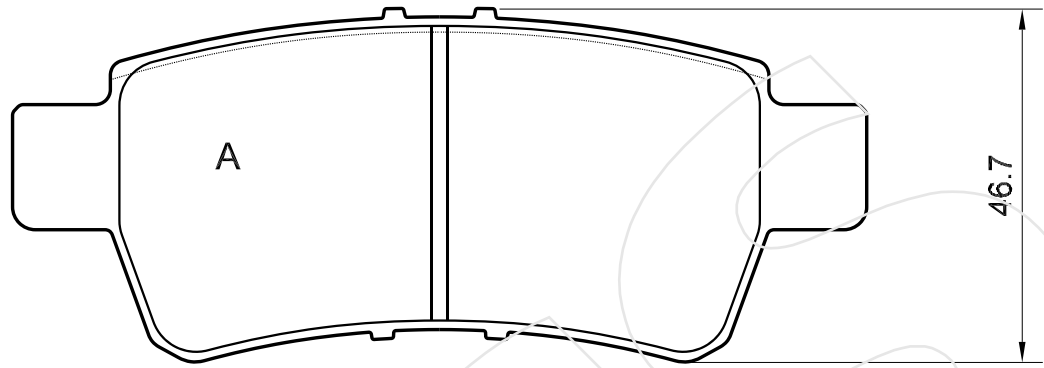
Reference in this Catalogue to other manufactures and to part numbers and other descriptions are for identification purposes only, because the above DISC BRAKE PADS are NOT ORIGINAL but with these interchangeable.

CODICE	IMPIANTO		ASSE	SCALA	APPLICAZIONI
<b>R-1258</b>	*		ANTERIORE	1:1	HONDA
CODICE COMPONENTI	N°	L(mm)	SERIE		
*	*	*	2 PEZZI TIPO A		
M0329	1	*	1 PEZZO TIPO B		
M0330	1	*	1 PEZZO TIPO C		
*	*	*	*		
CODICE ACCESSORI	N°	L(mm)	NOTE		
*	*	*			
*	*	*			
*	*	*			
*	*	*			



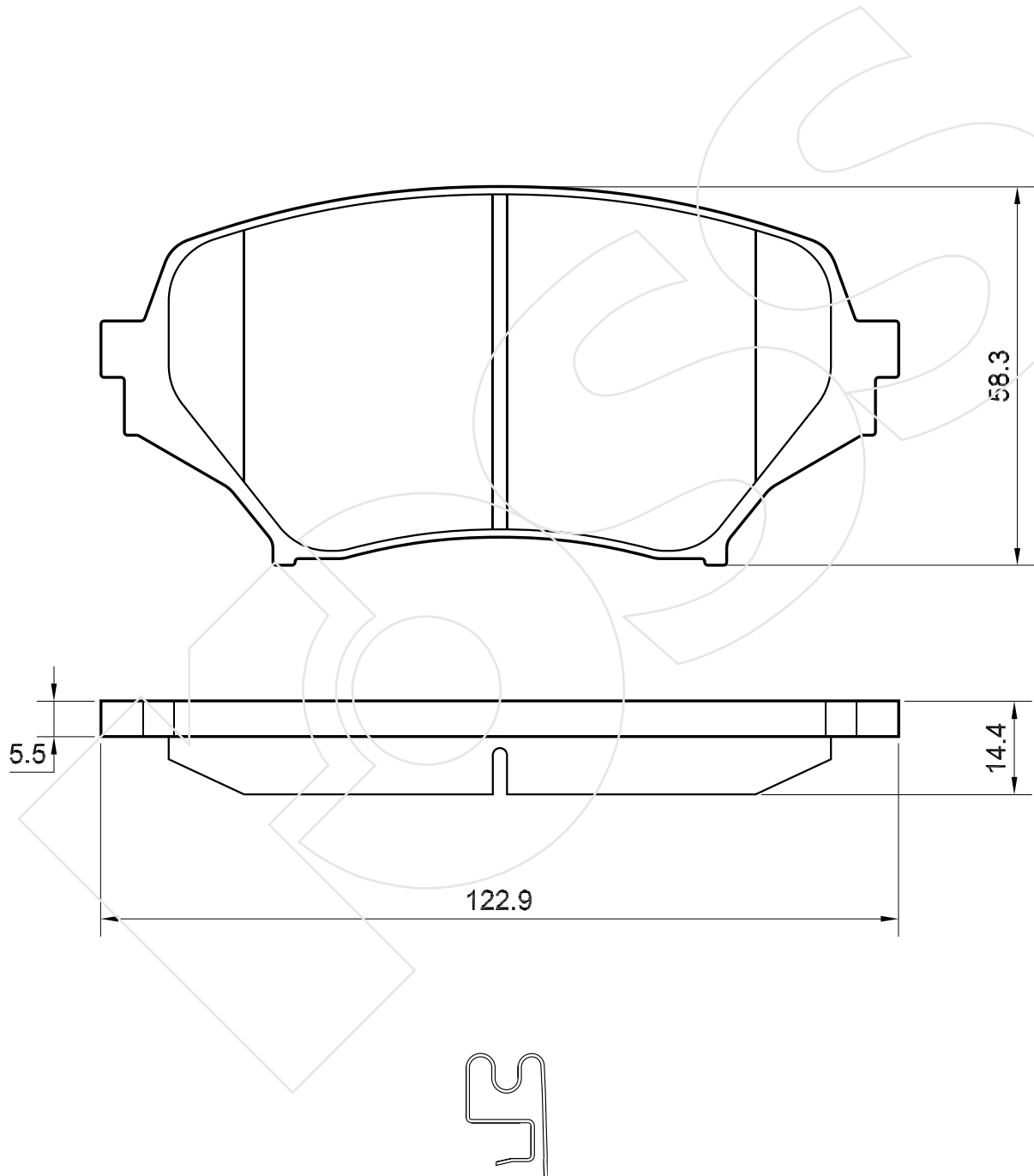
Reference in this Catalogue to other manufactures and to part numbers and other descriptions are for identification purposes only, because the above DISC BRAKE PADS are NOT ORIGINAL but with these interchangeable.

CODICE	IMPIANTO		ASSE	SCALA	APPLICAZIONI
<b>R-1259</b>	*		POSTERIORE	1:1	HONDA
CODICE COMPONENTI	N°	L(mm)	SERIE		
*	*	*	2 PEZZI TIPO A		
M0036	2	*	2 PEZZI TIPO B		
*	*	*	*		
*	*	*	*		
CODICE ACCESSORI	N°	L(mm)	NOTE		
*	*	*			
*	*	*			
*	*	*			
*	*	*			



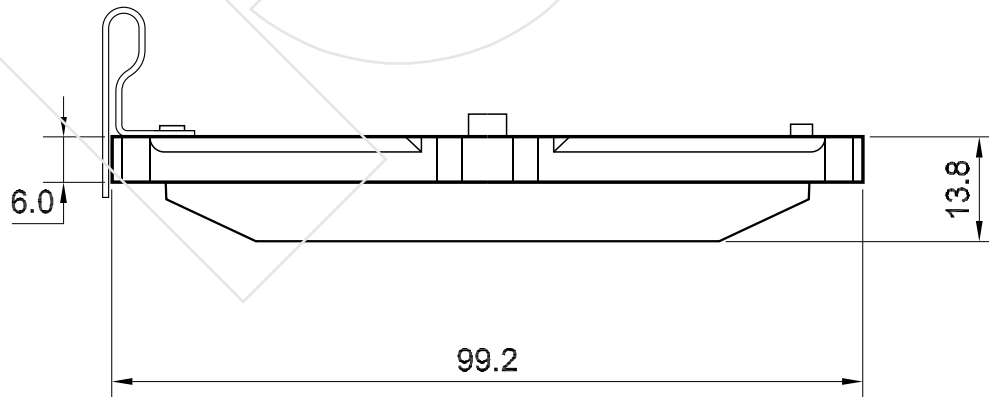
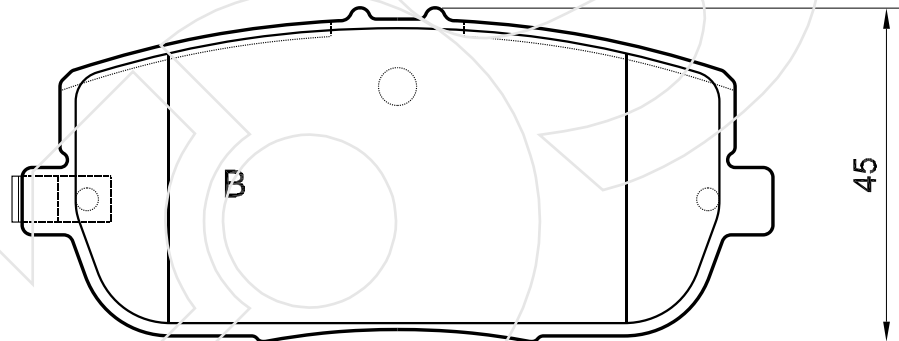
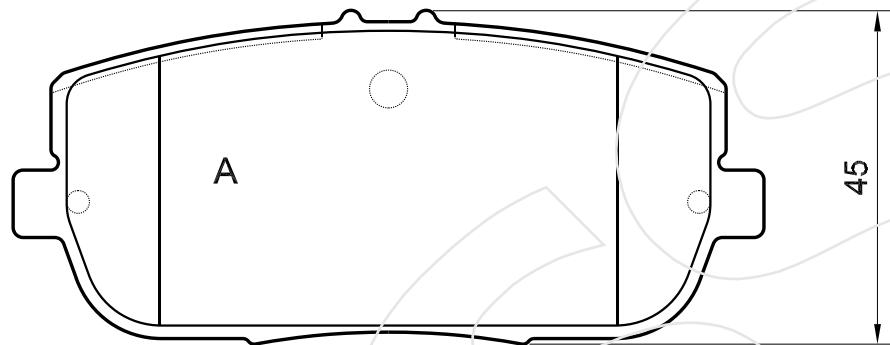
Reference in this Catalogue to other manufactures and to part numbers and other descriptions are for identification purposes only, because the above DISC BRAKE PADS are NOT ORIGINAL but with these interchangeable.

CODICE	IMPIANTO		ASSE	SCALA	APPLICAZIONI
<b>R-1260</b>	SUMITOMO		ANTERIORE	1:1	MAZDA
CODICE COMPONENTI	N°	L(mm)	SERIE		
*	*	*	4 PEZZI		
*	*	*			
*	*	*			
*	*	*			
CODICE ACCESSORI	N°	L(mm)	NOTE		
M0141	1	*			
*	*	*			
*	*	*			
*	*	*			



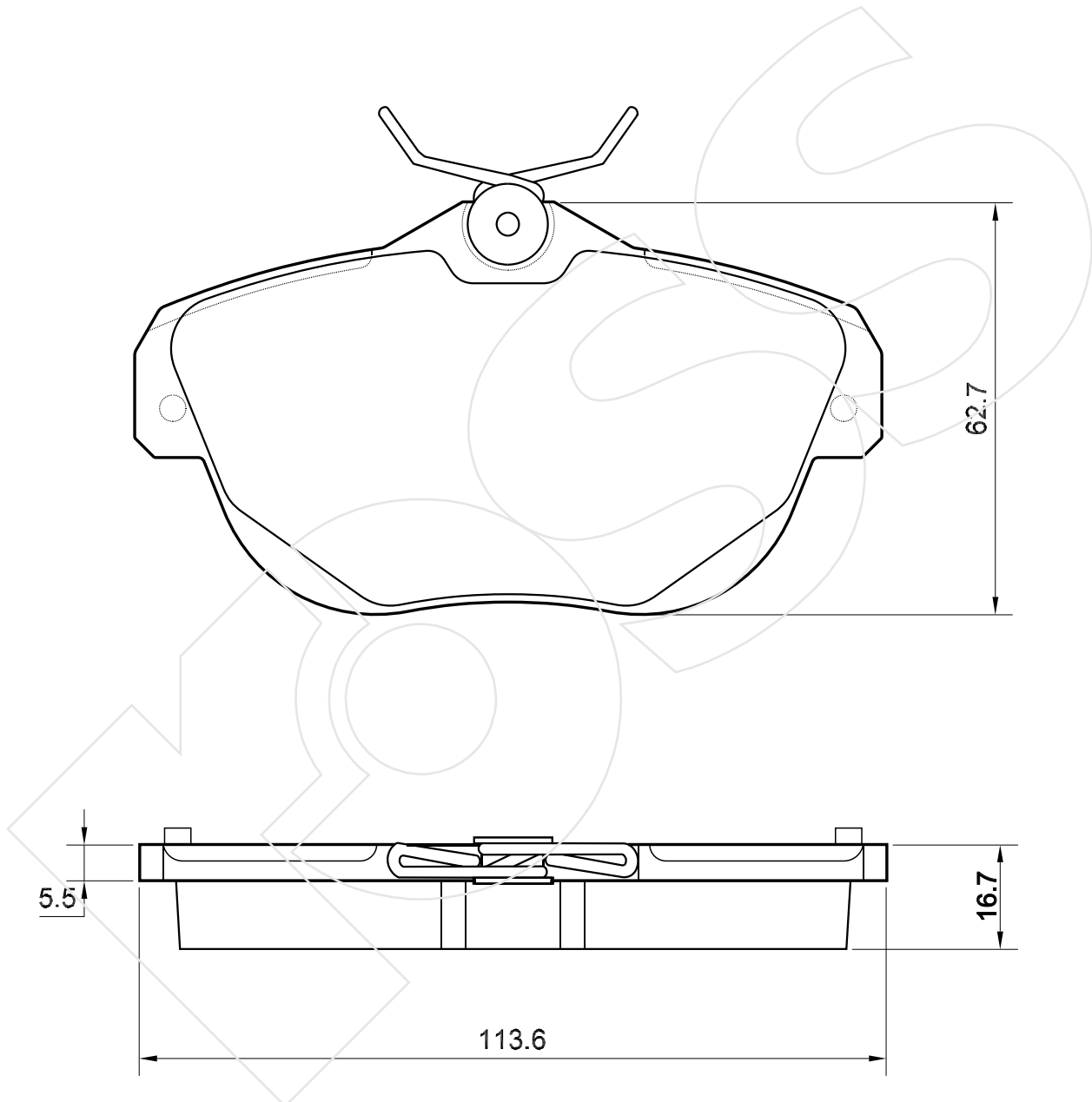
Reference in this Catalogue to other manufactures and to part numbers and other descriptions are for identification purposes only, because the above DISC BRAKE PADS are NOT ORIGINAL but with these interchangeable.

CODICE	IMPIANTO		ASSE	SCALA	APPLICAZIONI
<b>R-1261</b>	SUMITOMO		POSTERIORE	1:1	MAZDA
CODICE COMPONENTI	N°	L(mm)	SERIE		
*	*	*	3 PEZZI TIPO A		
M0069 ?	1	*	1 PEZZO TIPO B		
*	*	*	*		
*	*	*	*		
CODICE ACCESSORI	N°	L(mm)	NOTE		
*	*	*			
*	*	*			
*	*	*			
*	*	*			



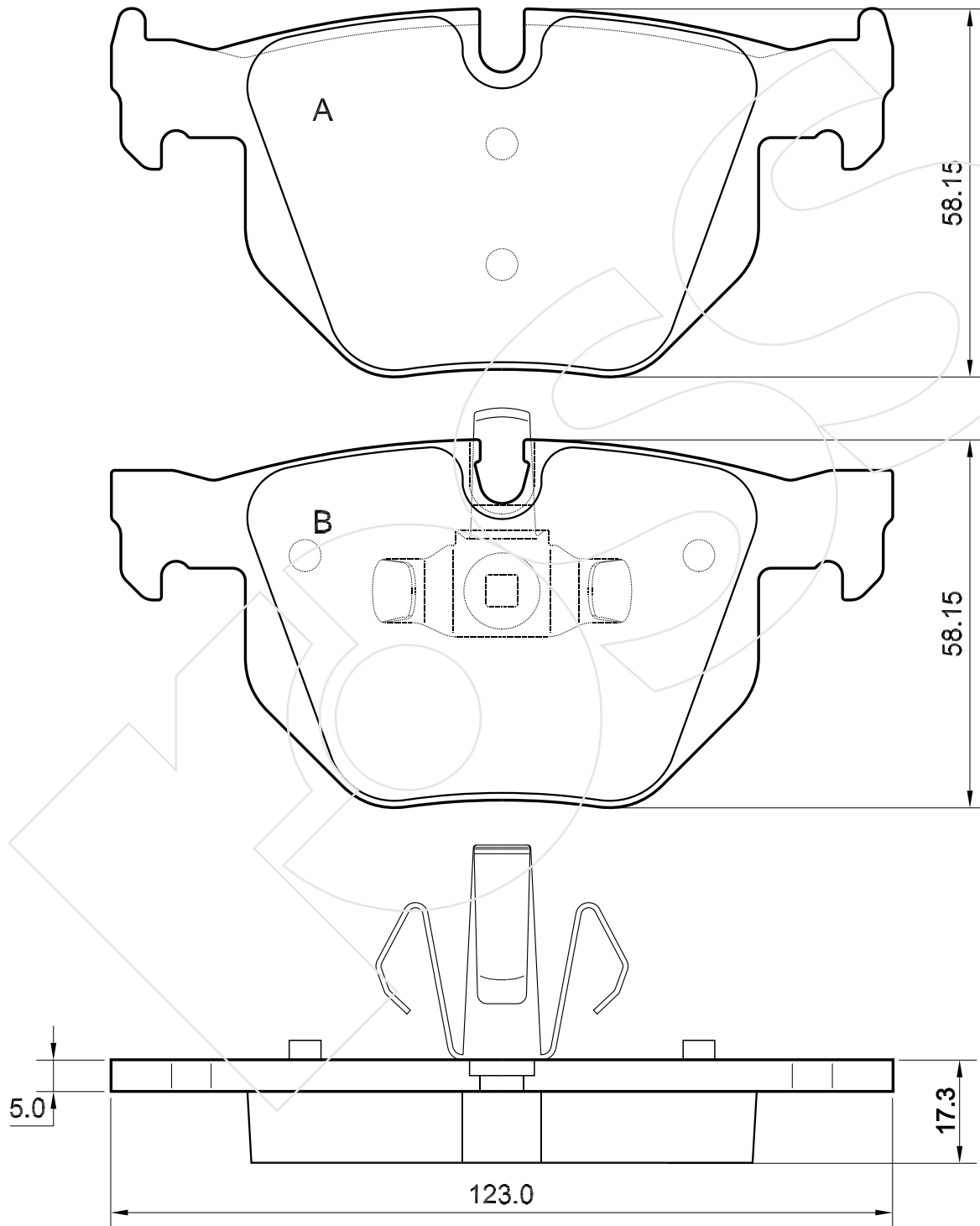
Reference in this Catalogue to other manufactures and to part numbers and other descriptions are for identification purposes only, because the above DISC BRAKE PADS are NOT ORIGINAL but with these interchangeable.

CODICE	IMPIANTO		ASSE	SCALA	APPLICAZIONI
<b>R-1262</b>	LUCAS		POSTERIORE	1:1	CITROEN
CODICE COMPONENTI	N°	L(mm)	SERIE		
M0015	4	*	4 PEZZI		
*	*	*	*		
*	*	*	*		
*	*	*	*		
CODICE ACCESSORI	N°	L(mm)	NOTE		
*	*	*			
*	*	*			
*	*	*			
*	*	*			



Reference in this Catalogue to other manufactures and to part numbers and other descriptions are for identification purposes only, because the above DISC BRAKE PADS are NOT ORIGINAL but with these interchangeable.

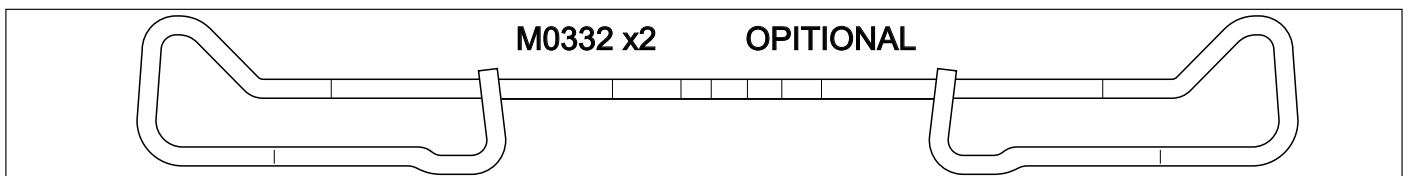
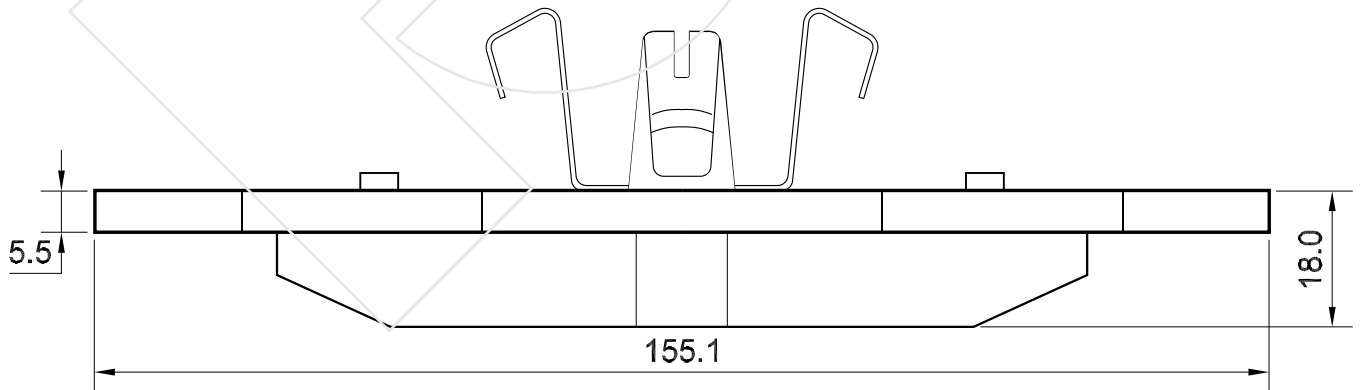
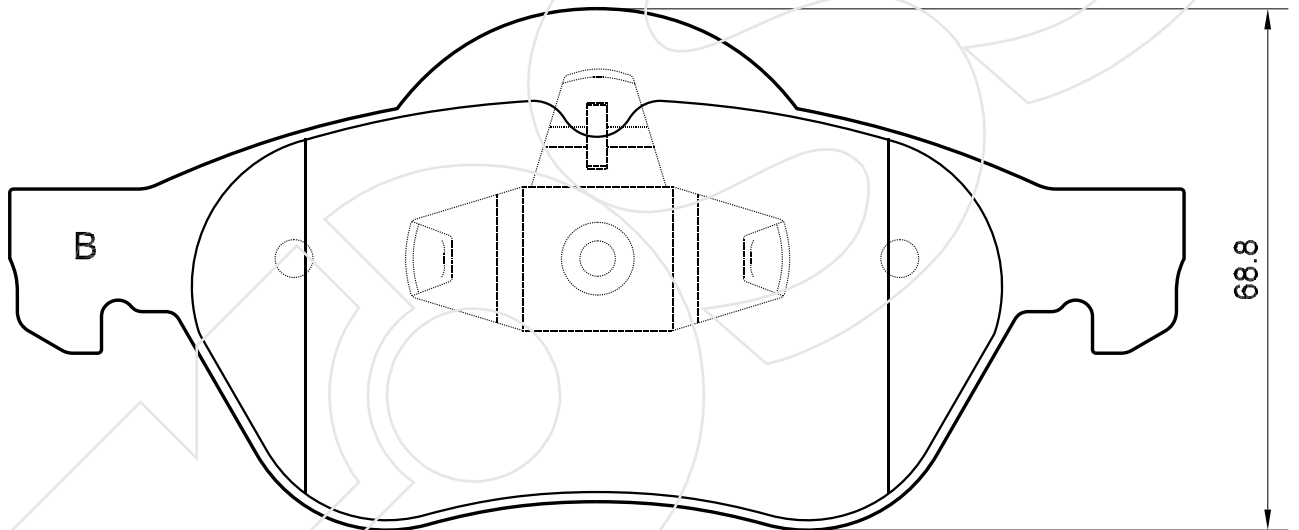
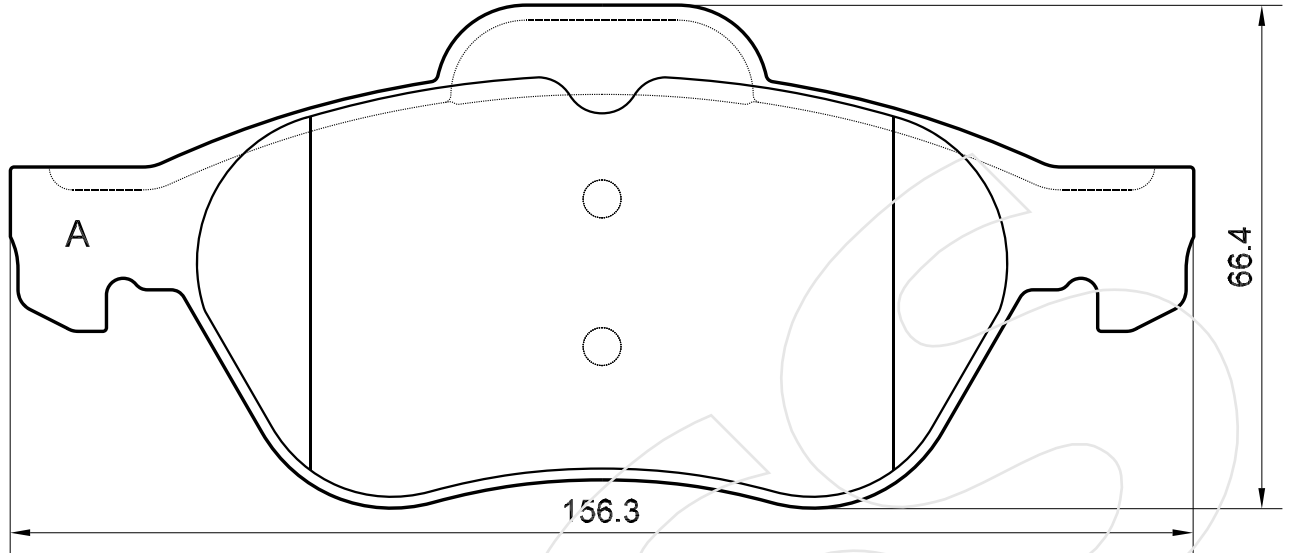
CODICE	IMPIANTO		ASSE	SCALA	APPLICAZIONI
<b>R-1263</b>	ATE		POSTERIORE	1:1	BMW
CODICE COMPONENTI	N°	L(mm)	SERIE		
*	*	*	2 PEZZI TIPO A		
M0293	2	*	2 PEZZI TIPO B		
*	*	*	*		
*	*	*	*		
CODICE ACCESSORI	N°	L(mm)	NOTE		
*	*	*			
*	*	*			
*	*	*			
*	*	*			



Reference in this Catalogue to other manufactures and to part numbers and other descriptions are for identification purposes only, because the above DISC BRAKE PADS are NOT ORIGINAL but with these interchangeable.

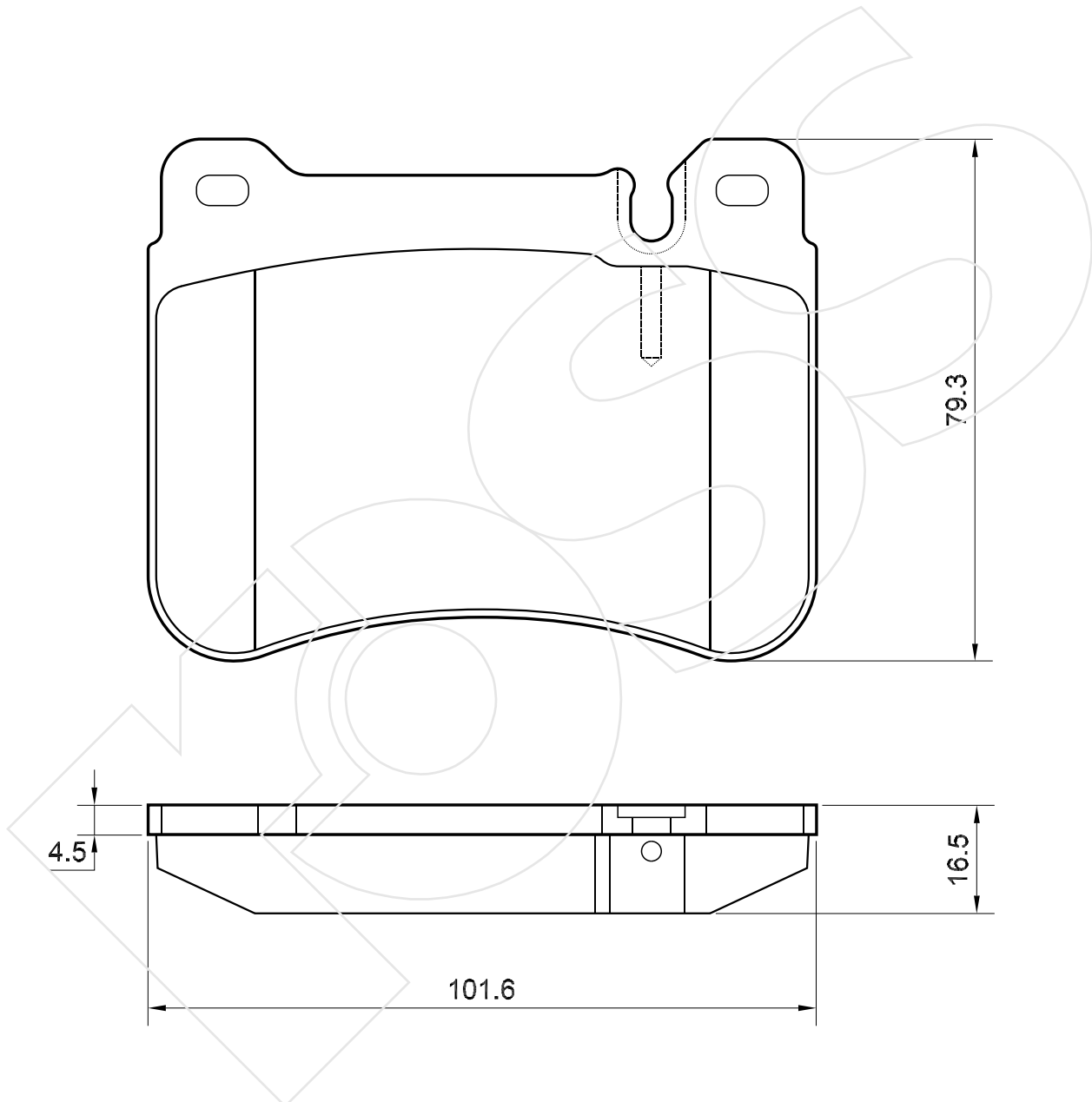


CODICE	IMPIANTO		ASSE	SCALA	APPLICAZIONI
<b>R-1264</b>	ATE		ANTERIORE	1:1	RENAULT
CODICE COMPONENTI	N°	L(mm)	SERIE		
*	*	*	2 PEZZI TIPO A		
M0331	2	*	2 PEZZI TIPO B		
*	*	*	*		
*	*	*	*		
CODICE ACCESSORI	N°	L(mm)	NOTE		
M0332	2	*			
*	*	*			
*	*	*			
*	*	*			



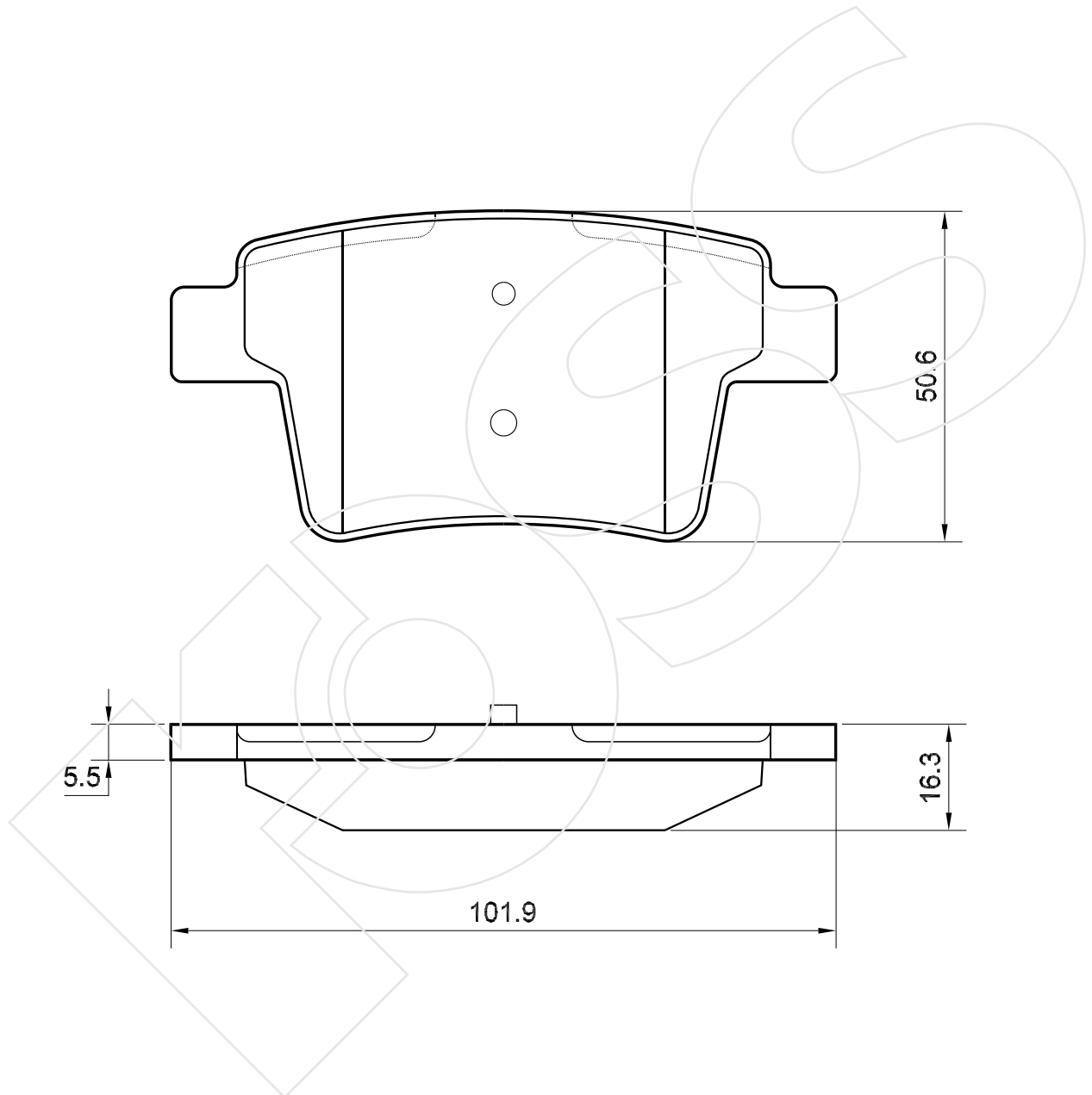
Reference in this Catalogue to other manufactures and to part numbers and other descriptions are for identification purposes only, because the above DISC BRAKE PADS are NOT ORIGINAL but with these interchangeable.

CODICE	IMPIANTO		ASSE	SCALA	APPLICAZIONI
<b>R-1265</b>	BREMBO		ANTERIORE	1:1	MERCEDES
CODICE COMPONENTI	N°	L(mm)	SERIE		
*	*	*	4 PEZZI		
*	*	*			
*	*	*			
*	*	*			
CODICE ACCESSORI	N°	L(mm)	NOTE		
*	*	*			
*	*	*			
*	*	*			
*	*	*			



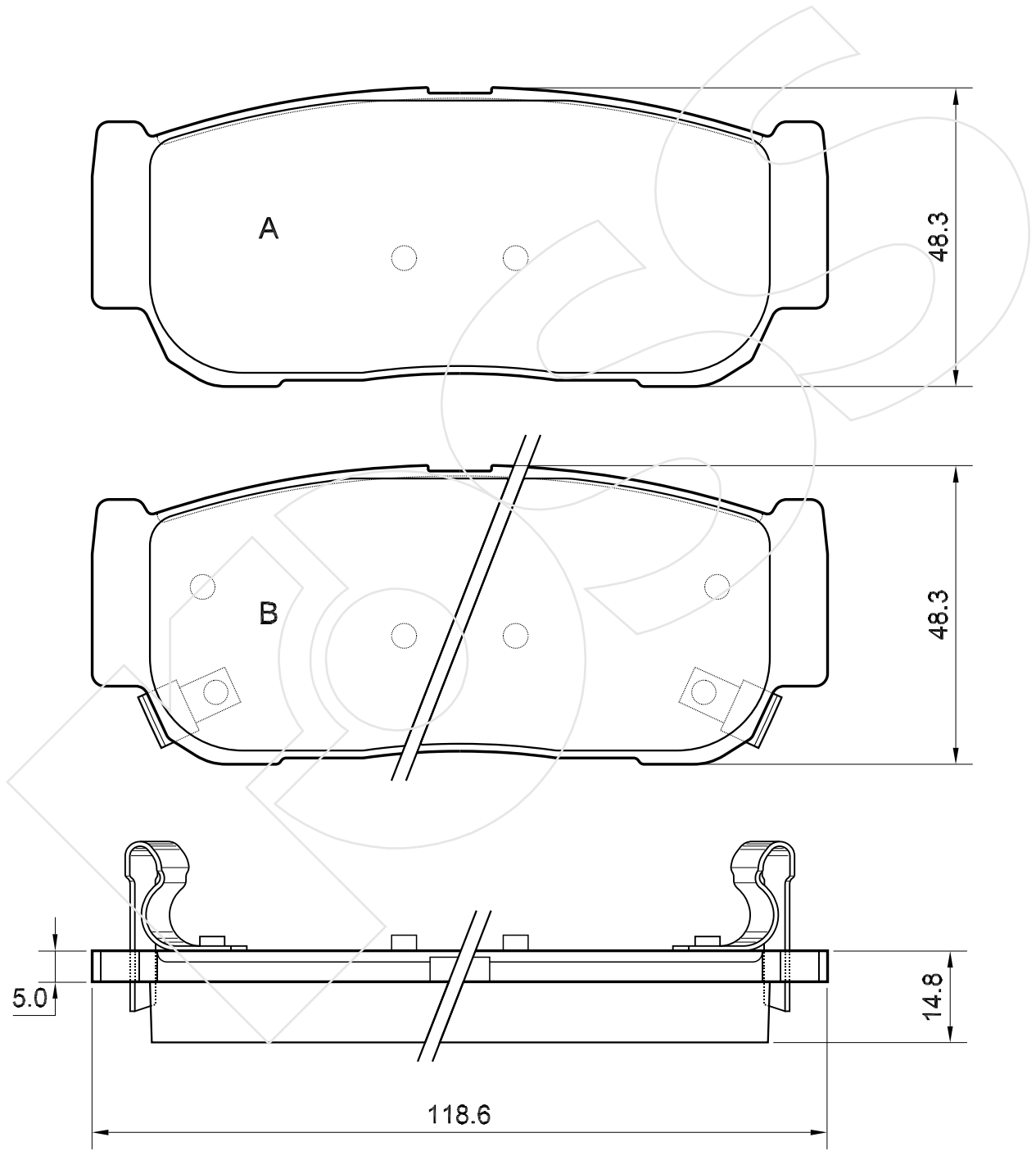
Reference in this Catalogue to other manufactures and to part numbers and other descriptions are for identification purposes only, because the above DISC BRAKE PADS are NOT ORIGINAL but with these interchangeable.

CODICE	IMPIANTO		ASSE	SCALA	APPLICAZIONI
<b>R-1266</b>	BOSCH		POSTERIORE	1:1	FORD
CODICE COMPONENTI	N°	L(mm)	SERIE		
*	*	*	4 PEZZI		
*	*	*			
*	*	*			
*	*	*			
CODICE ACCESSORI	N°	L(mm)	NOTE		
*	*	*			
*	*	*			
*	*	*			
*	*	*			



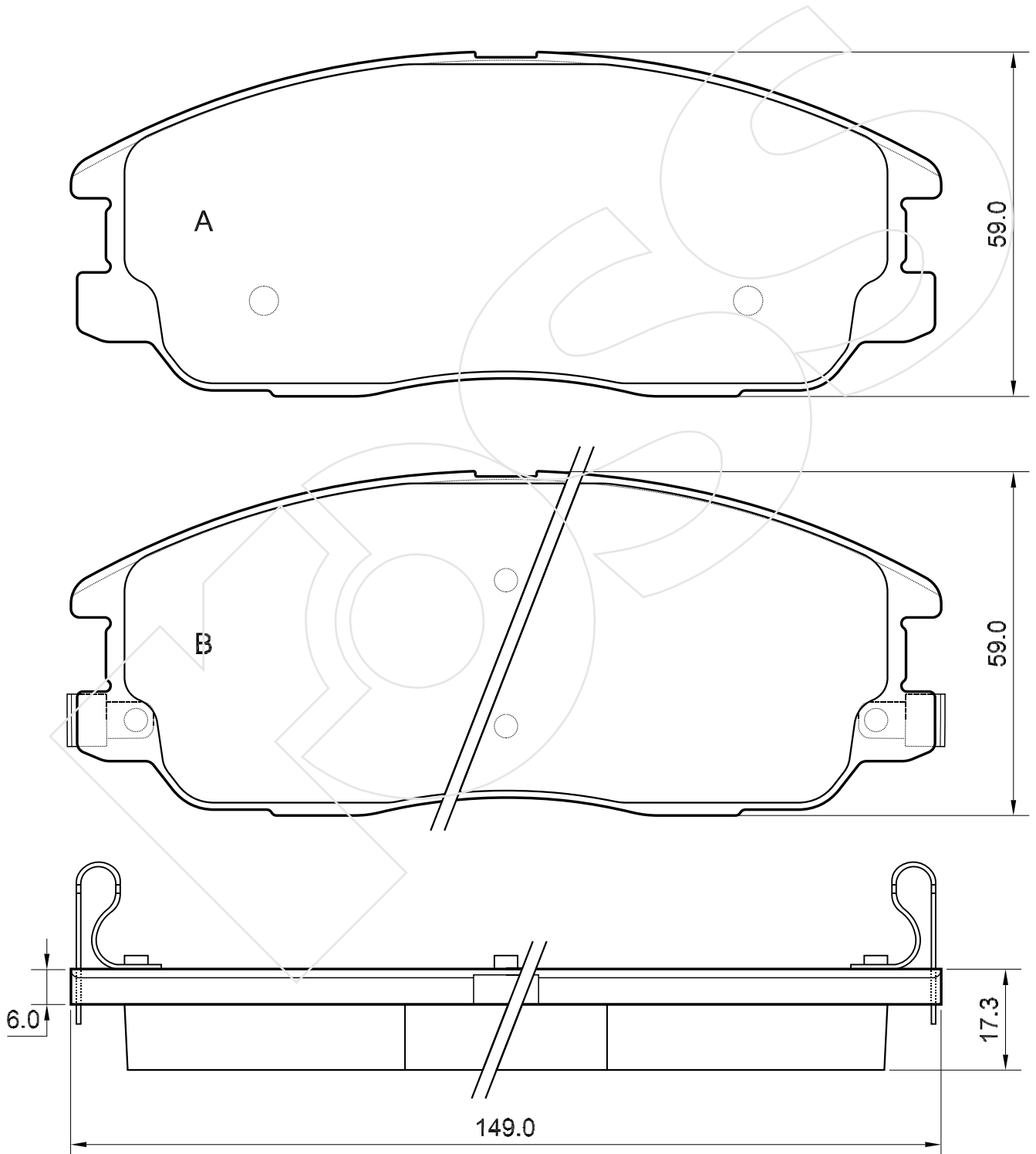
Reference in this Catalogue to other manufactures and to part numbers and other descriptions are for identification purposes only, because the above DISC BRAKE PADS are NOT ORIGINAL but with these interchangeable.

CODICE	IMPIANTO		ASSE	SCALA	APPLICAZIONI
<b>R-1267</b>	MANDO		POSTERIORE	1:1	KIA
CODICE COMPONENTI	N°	L(mm)	SERIE		
*	*	*	2 PEZZI TIPO A		
M0074	2	*	2 PEZZI TIPO B		
*	*	*	*		
*	*	*	*		
CODICE ACCESSORI	N°	L(mm)	NOTE		
*	*	*			
*	*	*			
*	*	*			
*	*	*			



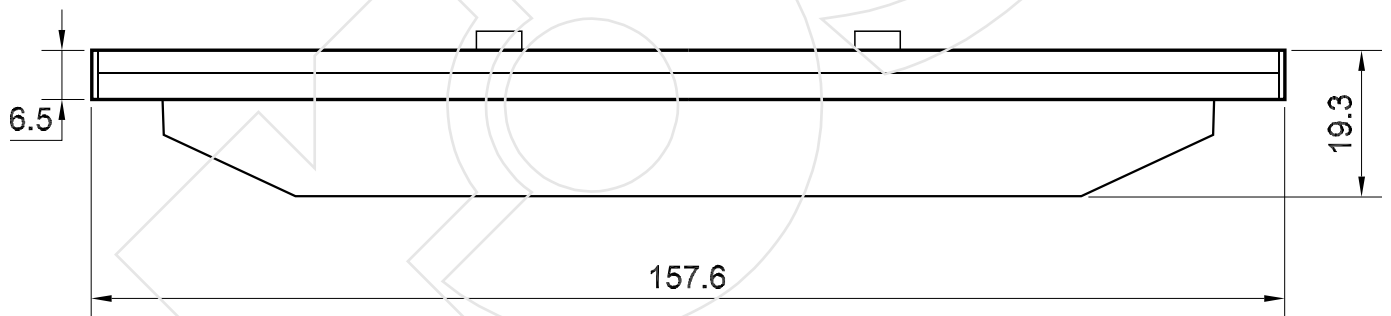
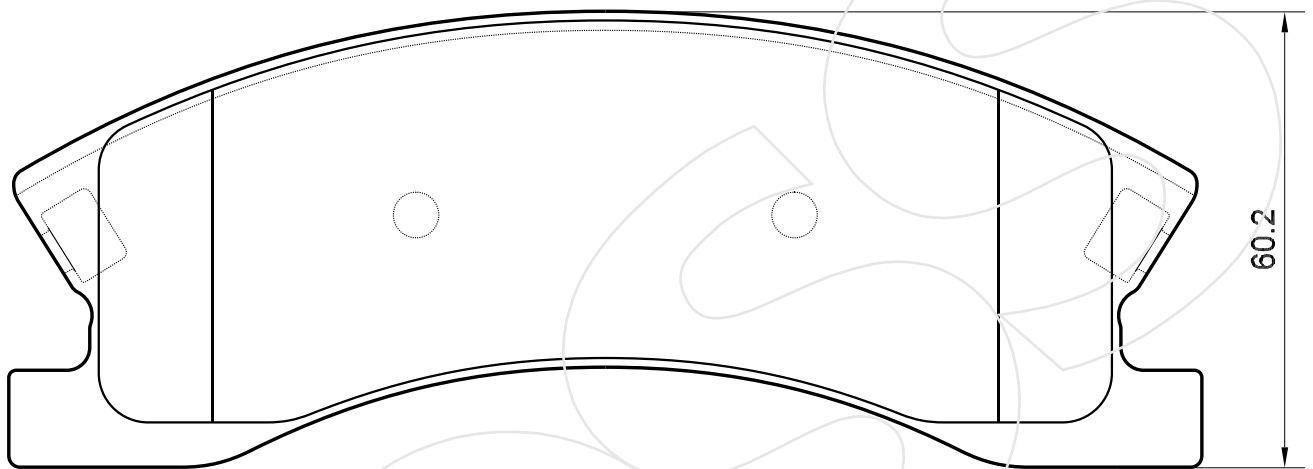
Reference in this Catalogue to other manufactures and to part numbers and other descriptions are for identification purposes only, because the above DISC BRAKE PADS are NOT ORIGINAL but with these interchangeable.

CODICE	IMPIANTO		ASSE	SCALA	APPLICAZIONI
<b>R-1268</b>	MANDO		ANTERIORE	1:1	KIA
CODICE COMPONENTI	N°	L(mm)	SERIE		
*	*	*	2 PEZZI TIPO A		
M0074	2	*	2 PEZZI TIPO B		
*	*	*	*		
*	*	*	*		
CODICE ACCESSORI	N°	L(mm)	NOTE		
*	*	*			
*	*	*			
*	*	*			
*	*	*			



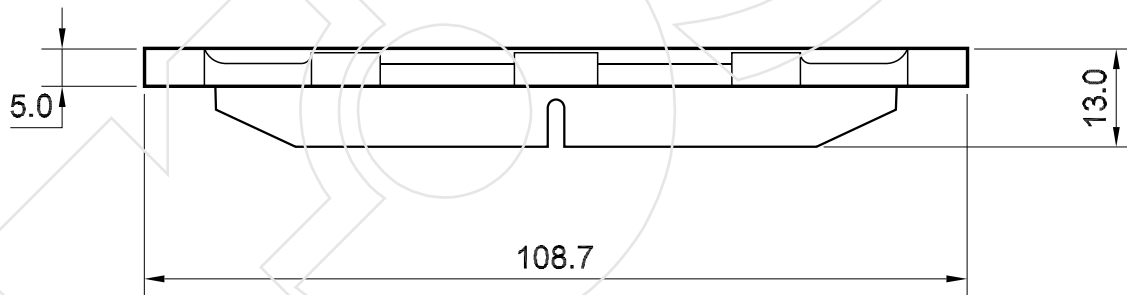
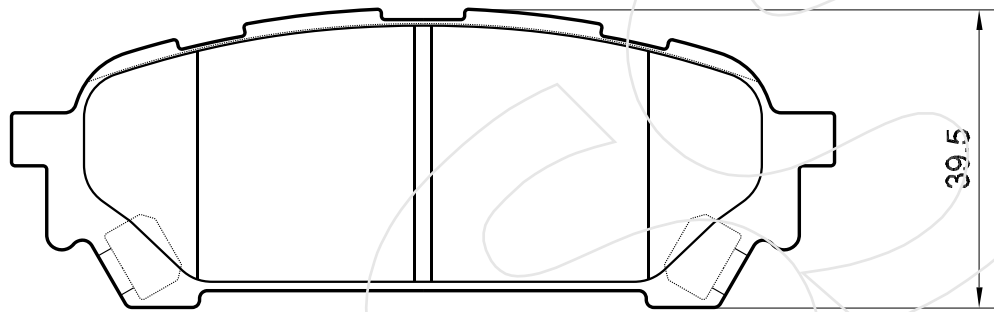
Reference in this Catalogue to other manufactures and to part numbers and other descriptions are for identification purposes only, because the above DISC BRAKE PADS are NOT ORIGINAL but with these interchangeable.

CODICE	IMPIANTO		ASSE	SCALA	APPLICAZIONI
<b>R-1269</b>	AKEBONO		ANTERIORE	1:1	JEEP
CODICE COMPONENTI	N°	L(mm)	SERIE		
M0251	2	*	4 PEZZI		
*	*	*	*		
*	*	*	*		
*	*	*	*		
CODICE ACCESSORI	N°	L(mm)	NOTE		
*	*	*			
*	*	*			
*	*	*			
*	*	*			



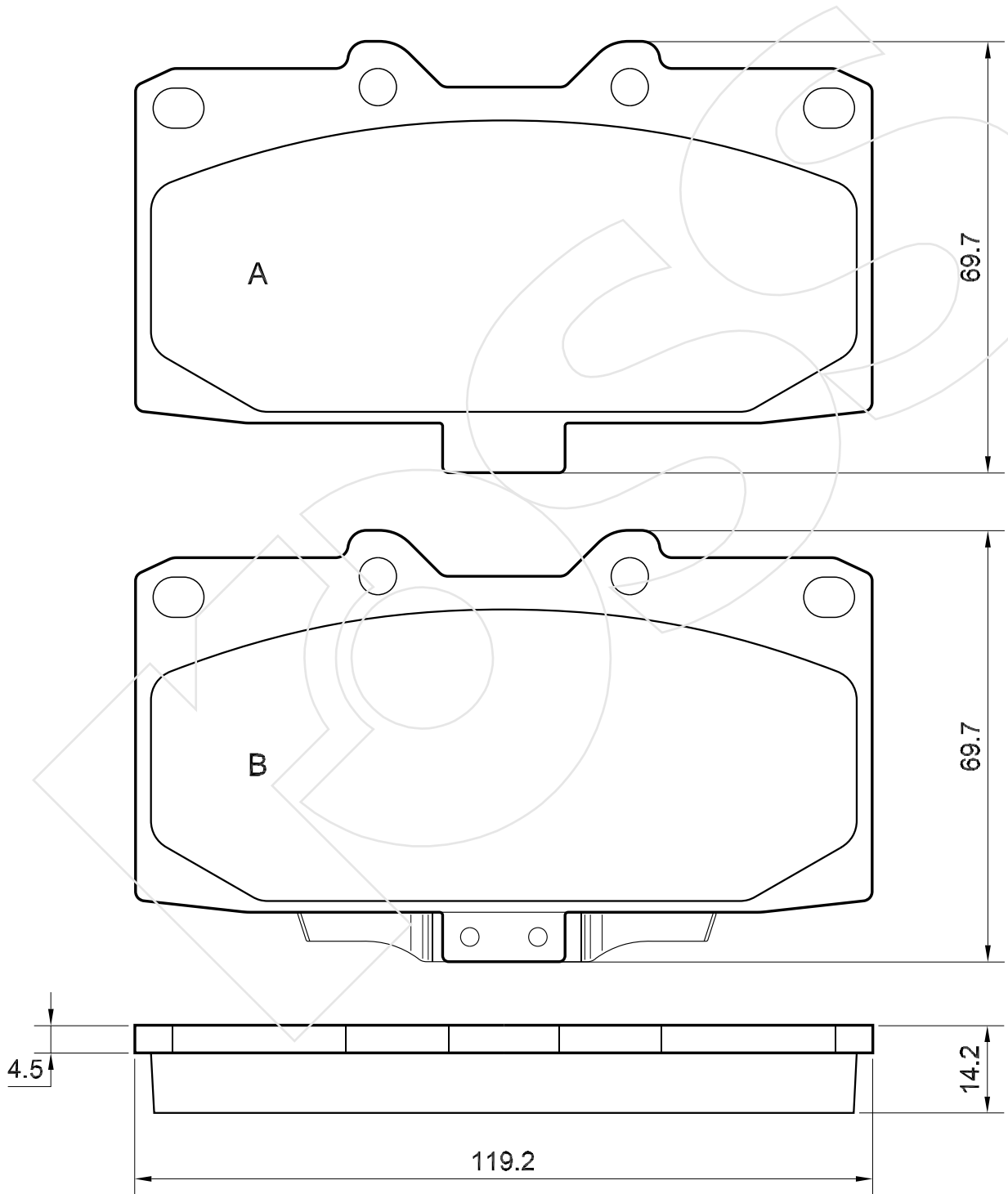
Reference in this Catalogue to other manufactures and to part numbers and other descriptions are for identification purposes only, because the above DISC BRAKE PADS are NOT ORIGINAL but with these interchangeable.

CODICE	IMPIANTO		ASSE	SCALA	APPLICAZIONI
<b>R-1270</b>	AKEBONO		POSTERIORE	1:1	SAAB SUBARU
CODICE COMPONENTI	N°	L(mm)	SERIE		
M0251	2	*	4 PEZZI		
*	*	*	*		
*	*	*	*		
*	*	*	*		
CODICE ACCESSORI	N°	L(mm)	NOTE		
*	*	*			
*	*	*			
*	*	*			
*	*	*			



Reference in this Catalogue to other manufactures and to part numbers and other descriptions are for identification purposes only, because the above DISC BRAKE PADS are NOT ORIGINAL but with these interchangeable.

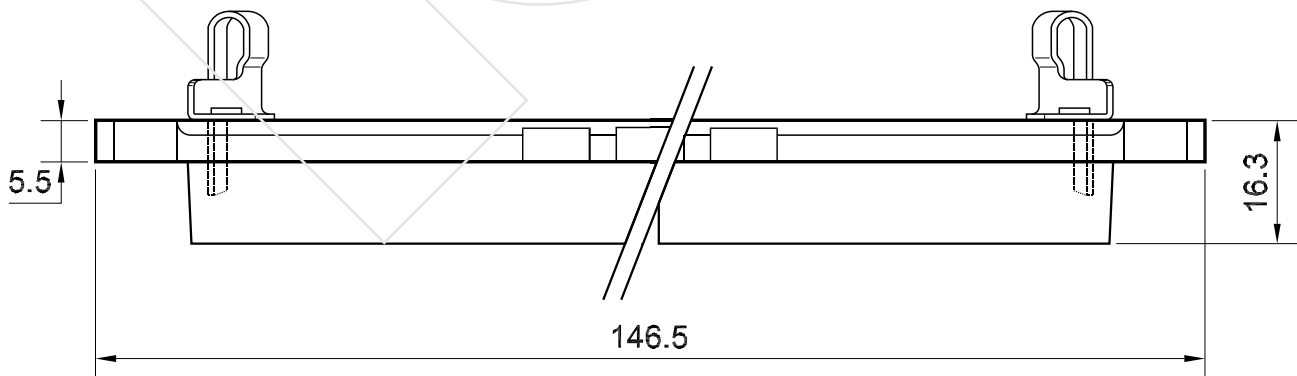
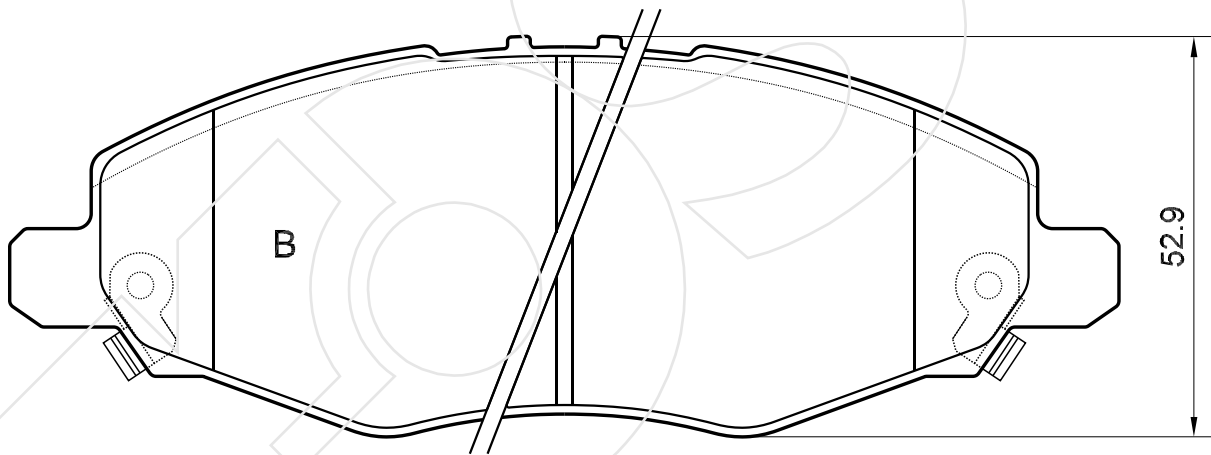
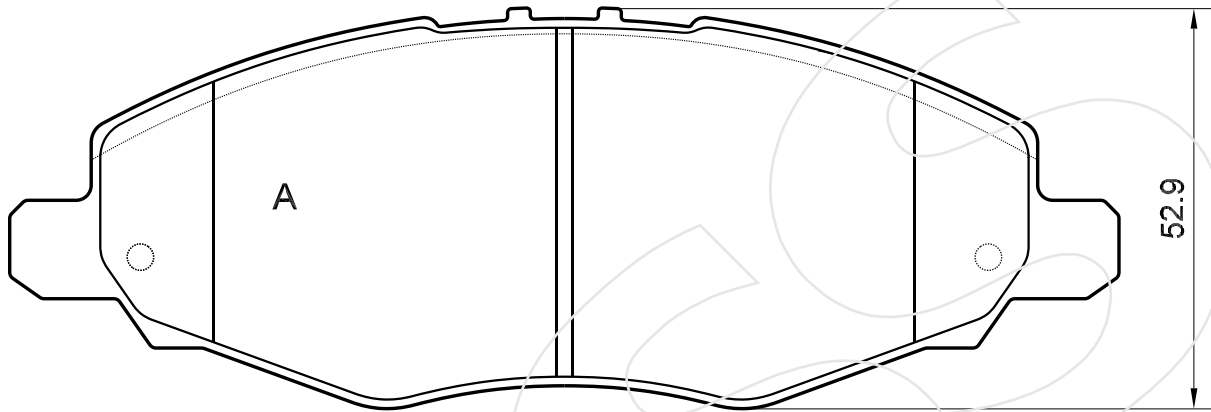
CODICE	IMPIANTO		ASSE	SCALA	APPLICAZIONI
<b>R-1271</b>	SUMITOMO		ANTERIORE	1:1	SUBARU NISSAN
CODICE COMPONENTI	N°	L(mm)	SERIE		
*	*	*	2 PEZZI TIPO A		
M0055	2	*	2 PEZZI TIPO B		
*	*	*	*		
*	*	*	*		
CODICE ACCESSORI	N°	L(mm)	NOTE		
*	*	*			
*	*	*			
*	*	*			
*	*	*			



Reference in this Catalogue to other manufactures and to part numbers and other descriptions are for identification purposes only, because the above DISC BRAKE PADS are NOT ORIGINAL but with these interchangeable.

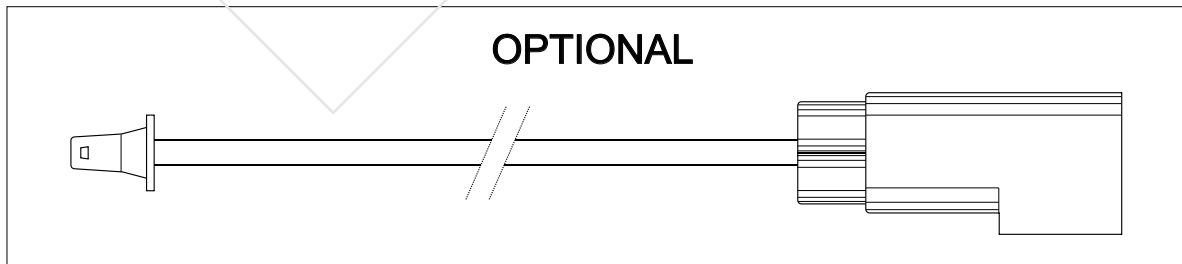
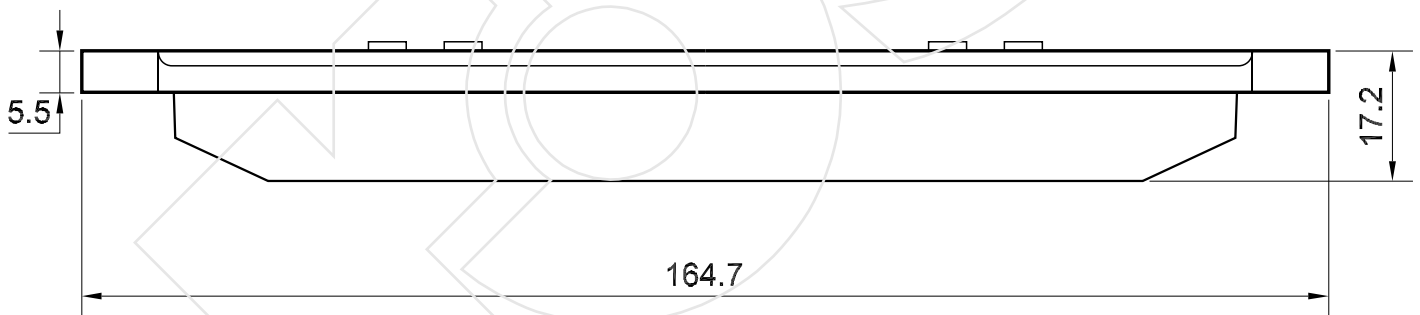
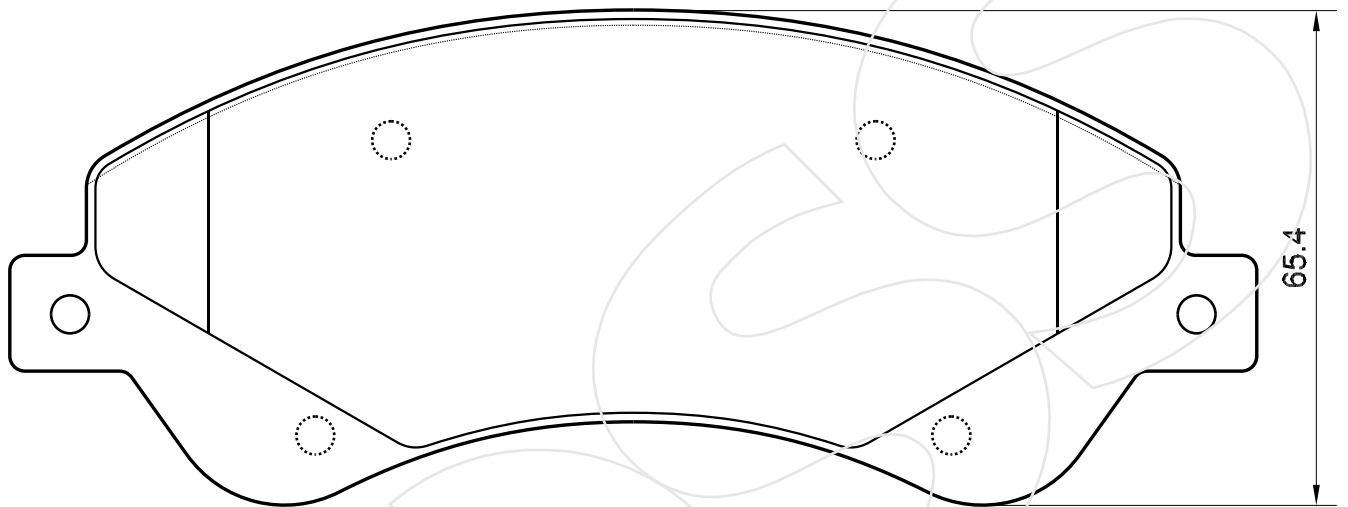


CODICE	IMPIANTO		ASSE	SCALA	APPLICAZIONI
<b>R-1272</b>	*		ANTERIORE	1:1	TOYOTA VIGO
CODICE COMPONENTI	N°	L(mm)	SERIE		
*	*	*	2 PEZZI TIPO A		
M0094+M0095	1+1	*	2 PEZZI TIPO B		
*	*	*	*		
*	*	*	*		
CODICE ACCESSORI	N°	L(mm)	NOTE		
*	*	*			
*	*	*			
*	*	*			
*	*	*			



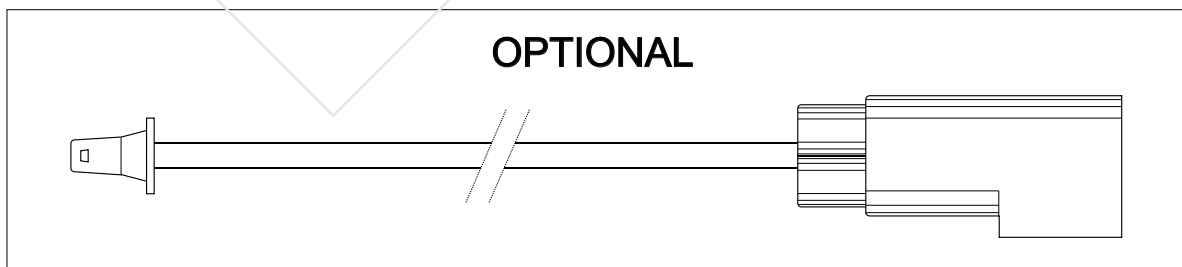
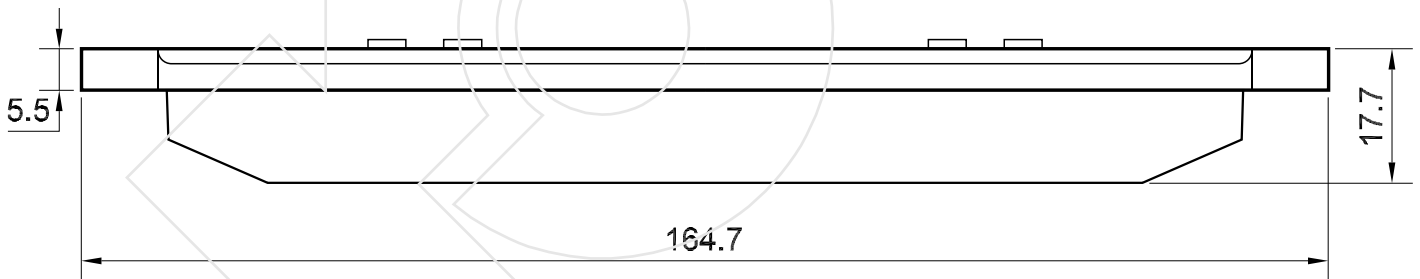
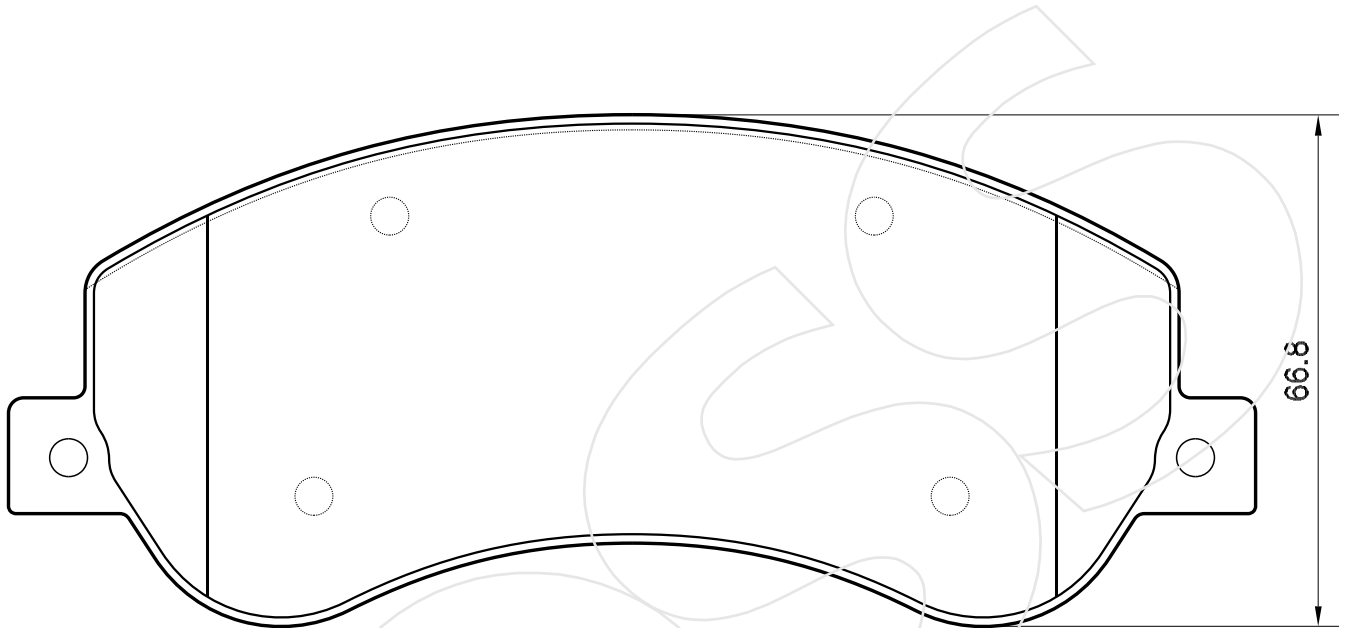
Reference in this Catalogue to other manufactures and to part numbers and other descriptions are for identification purposes only, because the above DISC BRAKE PADS are NOT ORIGINAL but with these interchangeable.

CODICE	IMPIANTO		ASSE	SCALA	APPLICAZIONI
<b>R-1273</b>	BOSCH		ANTERIORE	1:1	FORD
CODICE COMPONENTI	N°	L(mm)	SERIE		
*	*	*	4 PEZZI		
*	*	*			
*	*	*			
*	*	*			
CODICE ACCESSORI	N°	L(mm)	NOTE		
F3159	2	250			
*	*	*			
*	*	*			
*	*	*			



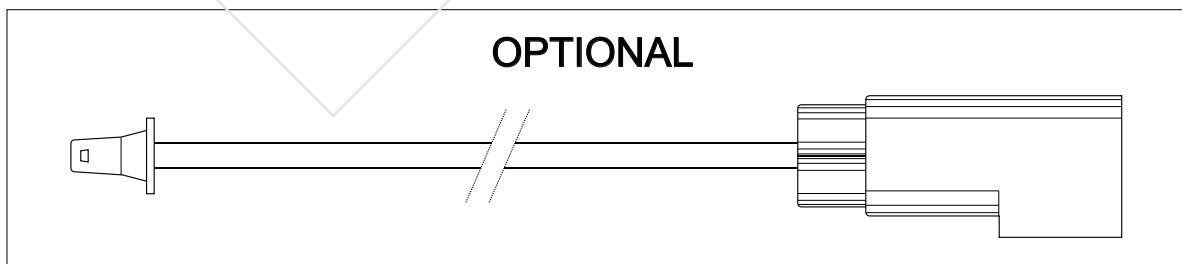
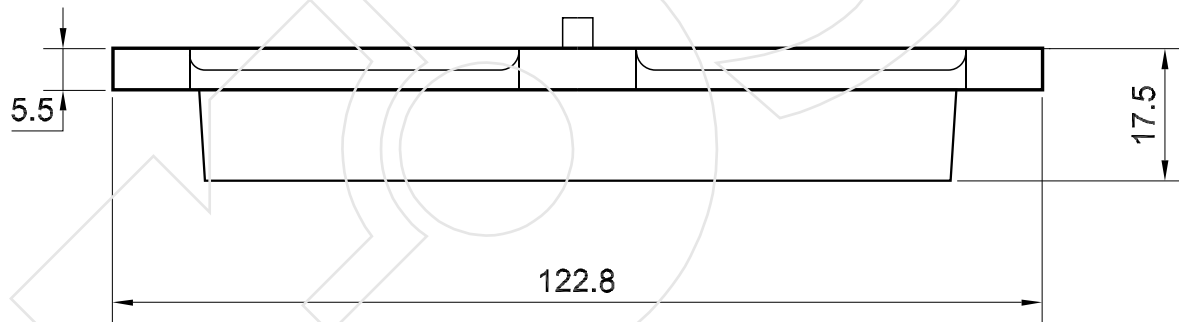
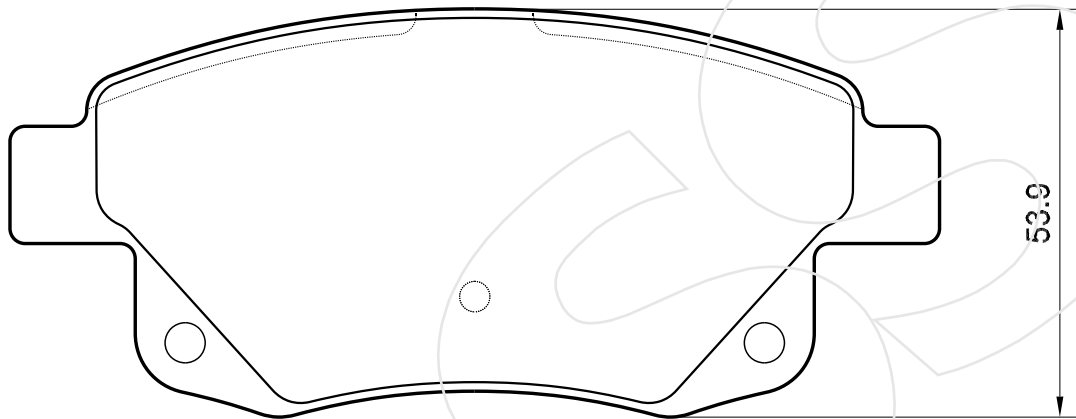
Reference in this Catalogue to other manufactures and to part numbers and other descriptions are for identification purposes only, because the above DISC BRAKE PADS are NOT ORIGINAL but with these interchangeable.

CODICE	IMPIANTO		ASSE	SCALA	APPLICAZIONI
<b>R-1274</b>	BOSCH		ANTERIORE	1:1	FORD
CODICE COMPONENTI	N°	L(mm)	SERIE		
*	*	*	4 PEZZI		
*	*	*			
*	*	*			
*	*	*			
CODICE ACCESSORI	N°	L(mm)	NOTE		
F3159	2	250			
*	*	*			
*	*	*			
*	*	*			



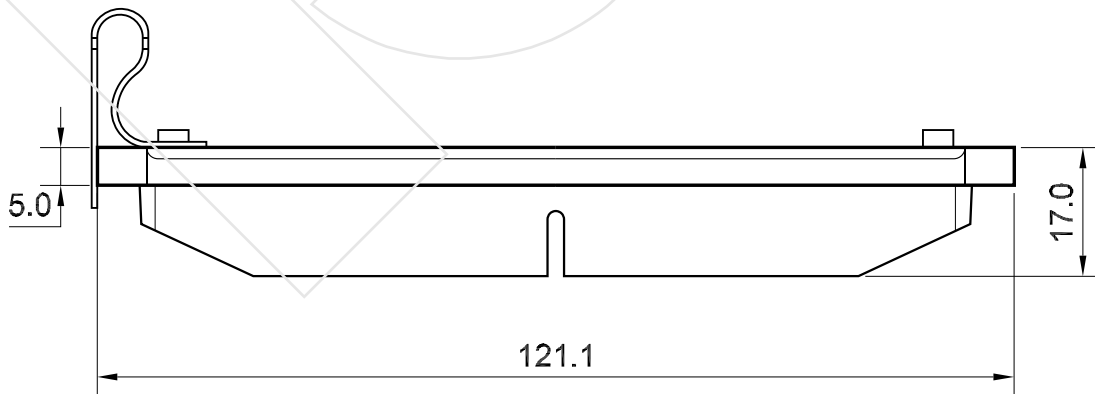
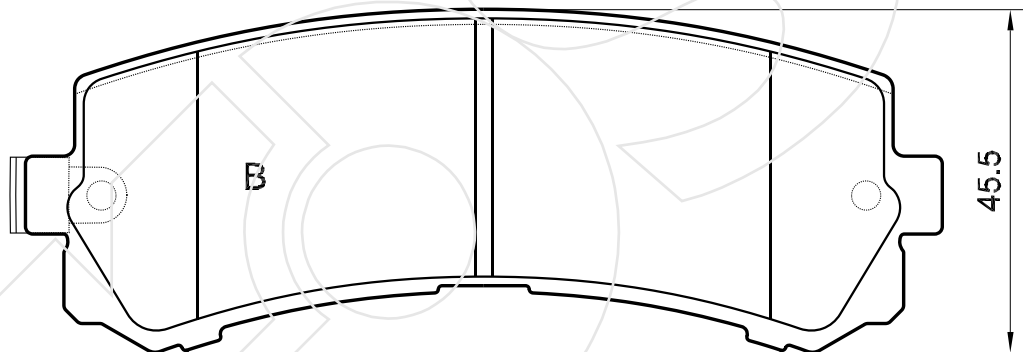
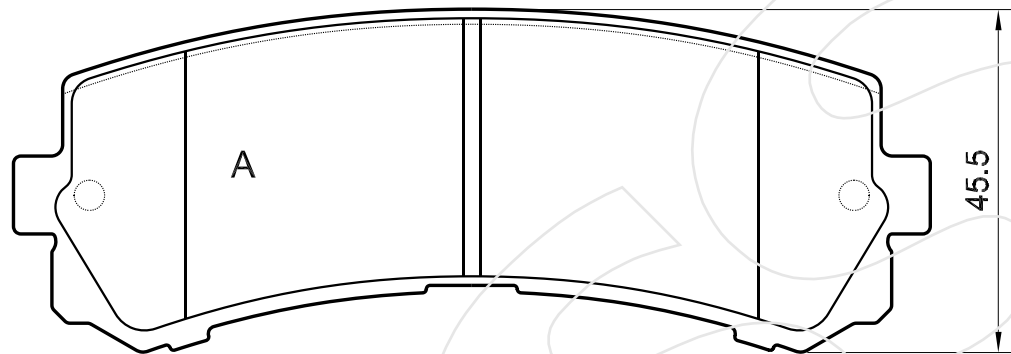
Reference in this Catalogue to other manufactures and to part numbers and other descriptions are for identification purposes only, because the above DISC BRAKE PADS are NOT ORIGINAL but with these interchangeable.

CODICE	IMPIANTO		ASSE	SCALA	APPLICAZIONI
<b>R-1275</b>	BOSCH		POSTERIORE	1:1	FORD
CODICE COMPONENTI	N°	L(mm)	SERIE		
*	*	*	4 PEZZI		
*	*	*			
*	*	*			
*	*	*			
CODICE ACCESSORI	N°	L(mm)	NOTE		
F3160	2	430			
*	*	*			
*	*	*			
*	*	*			



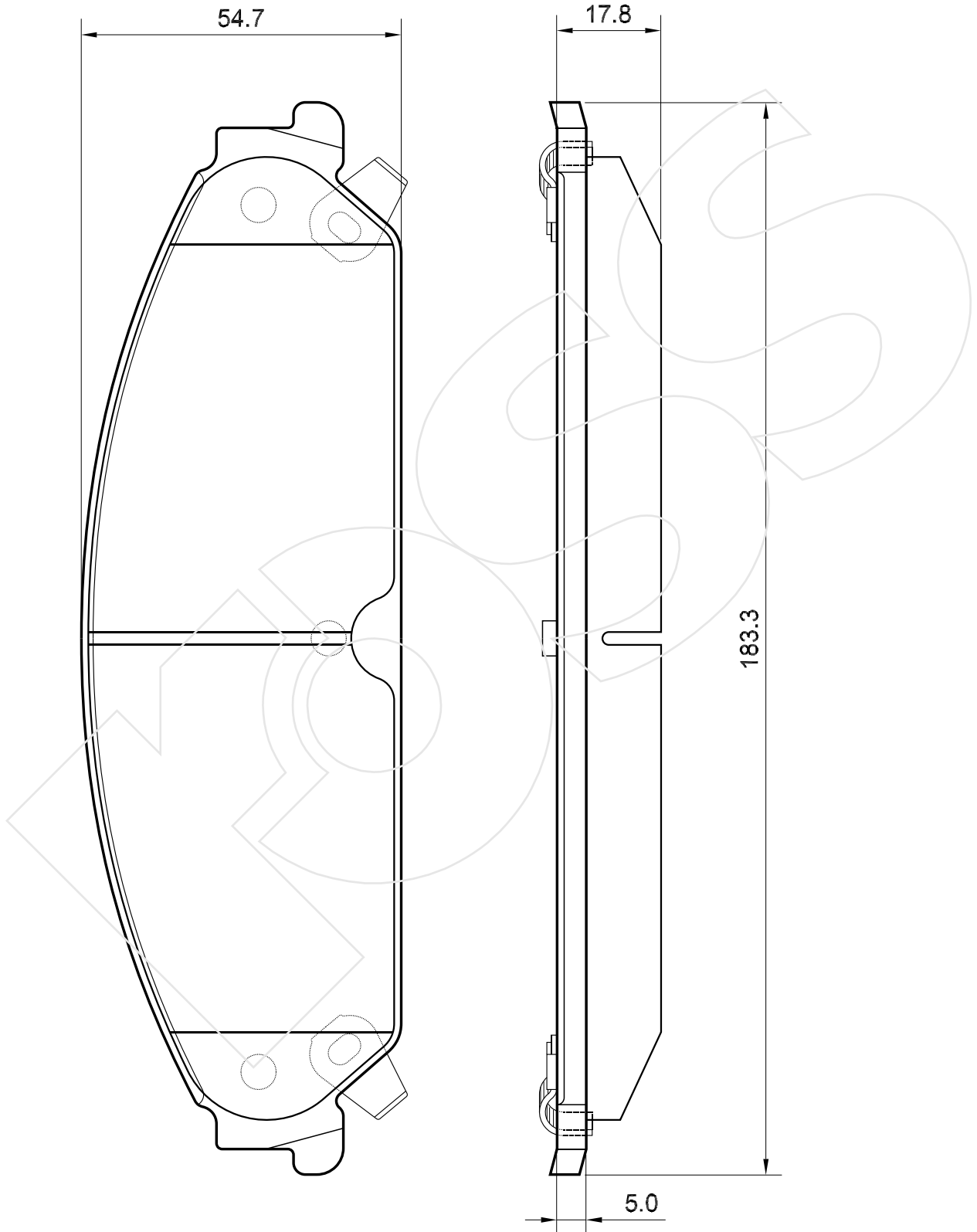
Reference in this Catalogue to other manufactures and to part numbers and other descriptions are for identification purposes only, because the above DISC BRAKE PADS are NOT ORIGINAL but with these interchangeable.

CODICE	IMPIANTO		ASSE	SCALA	APPLICAZIONI
<b>R-1276</b>	*		POSTERIORE	1:1	NISSAN
CODICE COMPONENTI	N°	L(mm)	SERIE		
*	*	*	2 PEZZI TIPO A		
*	2	*	2 PEZZI TIPO B		
*	*	*	*		
*	*	*	*		
CODICE ACCESSORI	N°	L(mm)	NOTE		
*	*	*			
*	*	*			
*	*	*			
*	*	*			



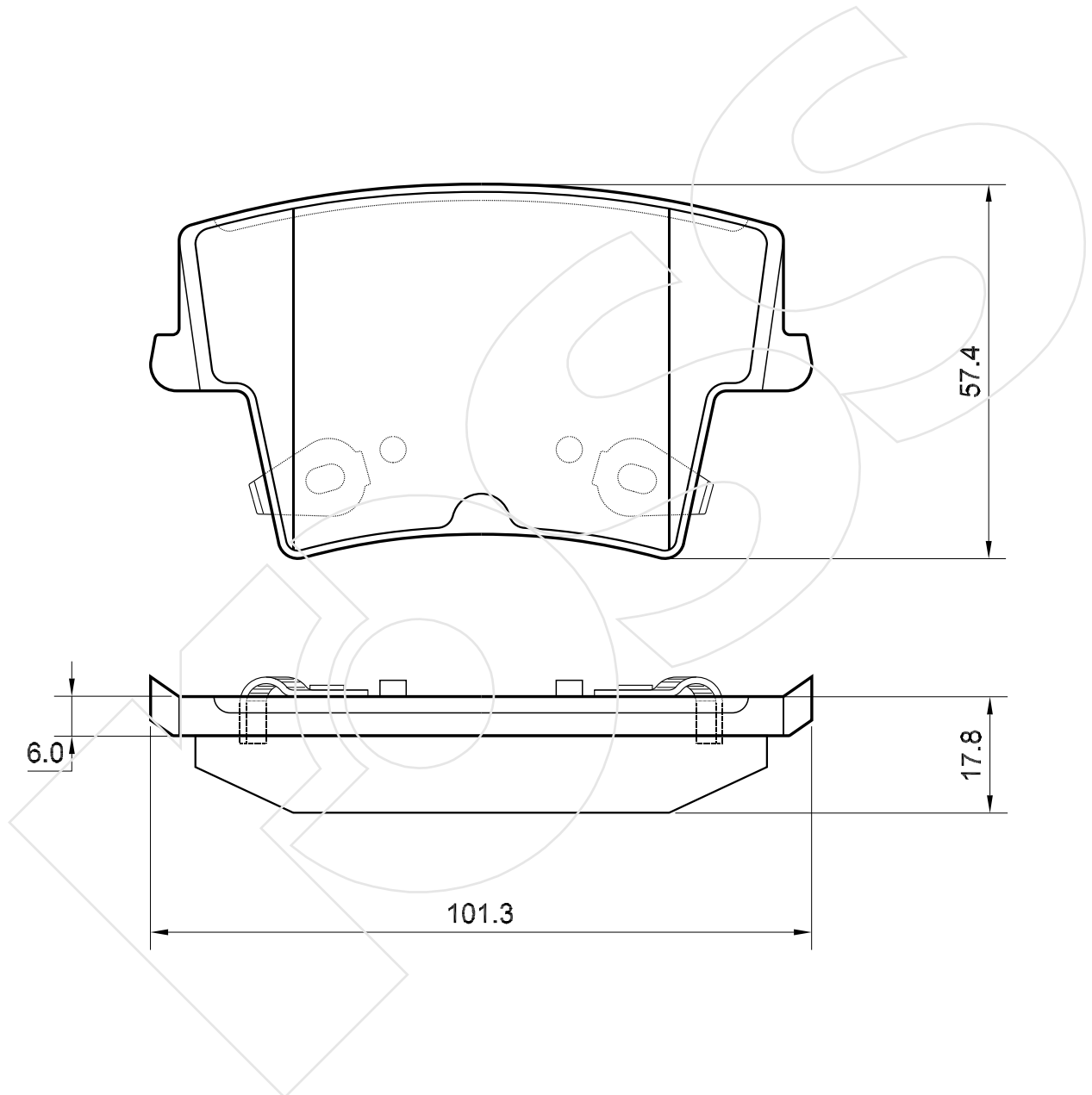
Reference in this Catalogue to other manufactures and to part numbers and other descriptions are for identification purposes only, because the above DISC BRAKE PADS are NOT ORIGINAL but with these interchangeable.

CODICE	IMPIANTO		ASSE	SCALA	APPLICAZIONI
<b>R-1277</b>	*		ANTERIORE	1:1	CRHYSLER
CODICE COMPONENTI	N°	L(mm)	SERIE		
M0334	8	*	4 PEZZI		
*	*	*	*		
*	*	*	*		
*	*	*	*		
CODICE ACCESSORI	N°	L(mm)	NOTE		
*	*	*			
*	*	*			
*	*	*			
*	*	*			



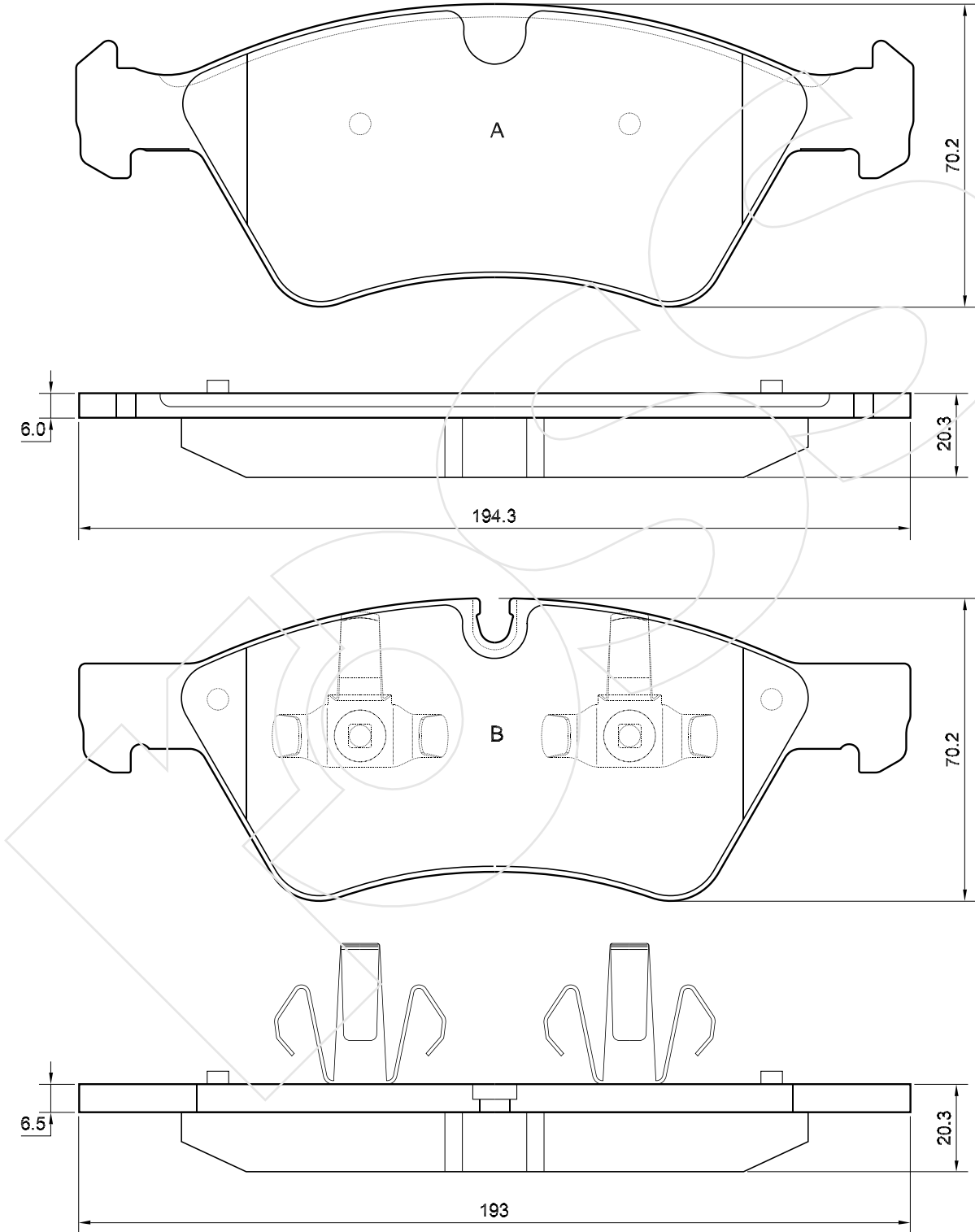
Reference in this Catalogue to other manufactures and to part numbers and other descriptions are for identification purposes only, because the above DISC BRAKE PADS are NOT ORIGINAL but with these interchangeable.

CODICE	IMPIANTO		ASSE	SCALA	APPLICAZIONI
<b>R-1278</b>	*		POSTERIORE	1:1	CHRYSLER
CODICE COMPONENTI	N°	L(mm)	SERIE		
M0335	8	*	4 PEZZI		
*	*	*	*		
*	*	*	*		
*	*	*	*		
CODICE ACCESSORI	N°	L(mm)	NOTE		
*	*	*			
*	*	*			
*	*	*			
*	*	*			



Reference in this Catalogue to other manufactures and to part numbers and other descriptions are for identification purposes only, because the above DISC BRAKE PADS are NOT ORIGINAL but with these interchangeable.

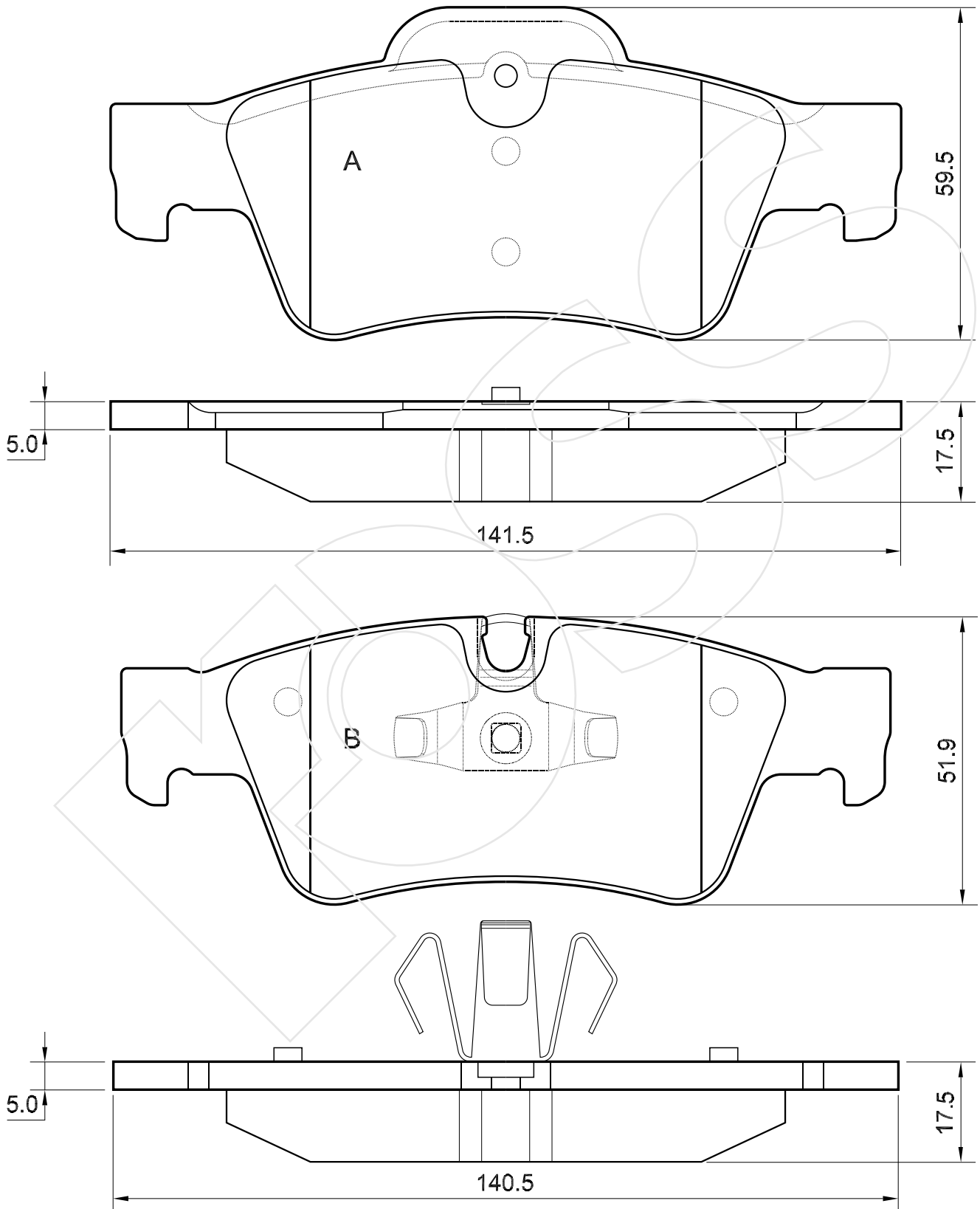
CODICE	IMPIANTO		ASSE	SCALA	APPLICAZIONI
<b>R-1279</b>	ATE		ANTERIORE	70%	MERCEDES
CODICE COMPONENTI	N°	L(mm)	SERIE		
*	*	*	2 PEZZI TIPO A		
M0293	2	*	2 PEZZI TIPO B		
*	*	*	*		
*	*	*	*		
CODICE ACCESSORI	N°	L(mm)	NOTE		
*	*	*			
*	*	*			
*	*	*			
*	*	*			



Reference in this Catalogue to other manufactures and to part numbers and other descriptions are for identification purposes only, because the above DISC BRAKE PADS are NOT ORIGINAL but with these interchangeable.

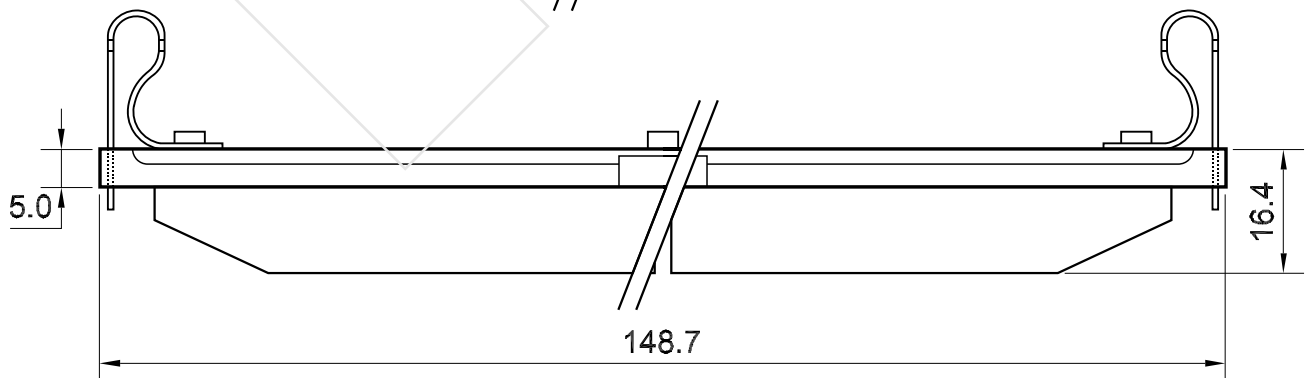
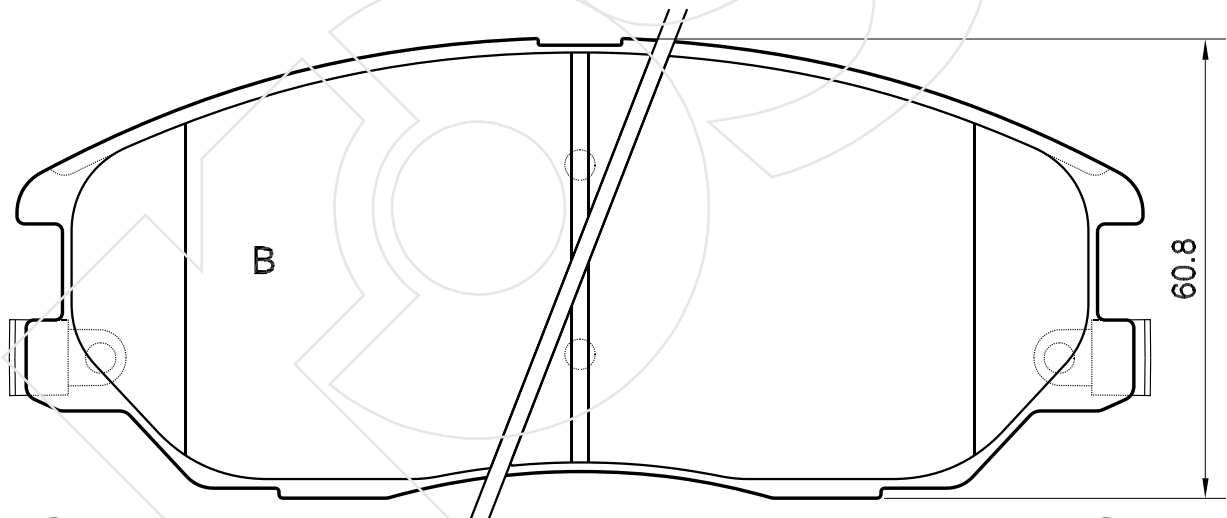
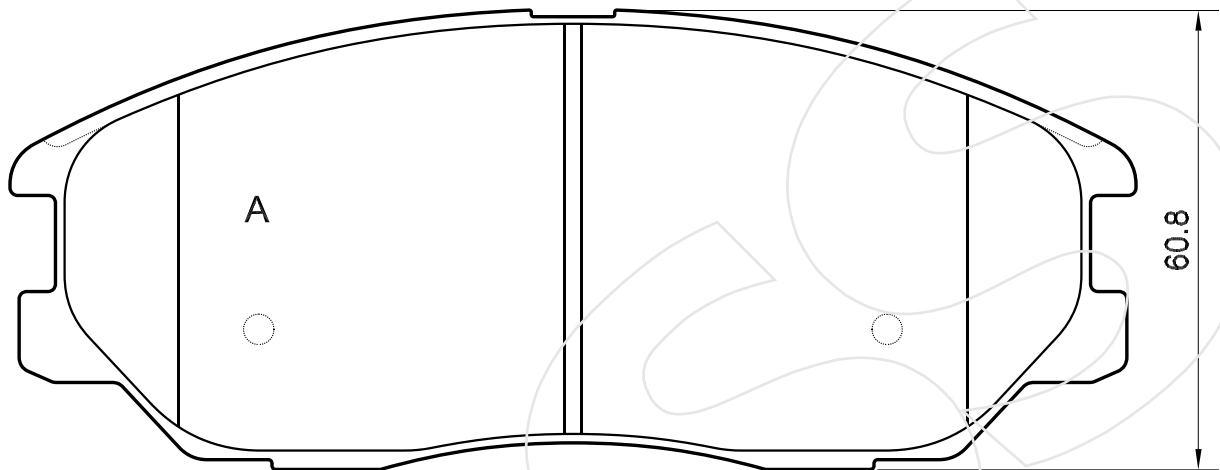


CODICE	IMPIANTO		ASSE	SCALA	APPLICAZIONI
<b>R-1280</b>	ATE		POSTERIORE	1:1	MERCEDES
CODICE COMPONENTI	N°	L(mm)	SERIE		
*	*	*	2 PEZZI TIPO A		
M0293	*	*	2 PEZZI TIPO B		
*	*	*	*		
*	*	*	*		
CODICE ACCESSORI	N°	L(mm)	NOTE		
*	*	*			
*	*	*			
*	*	*			
*	*	*			



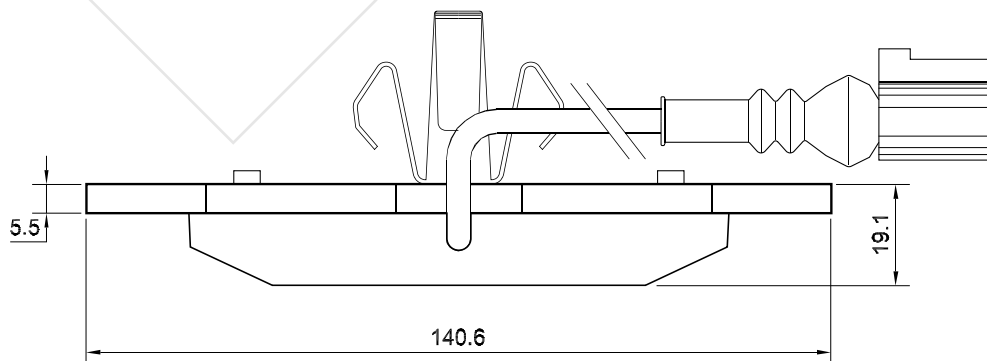
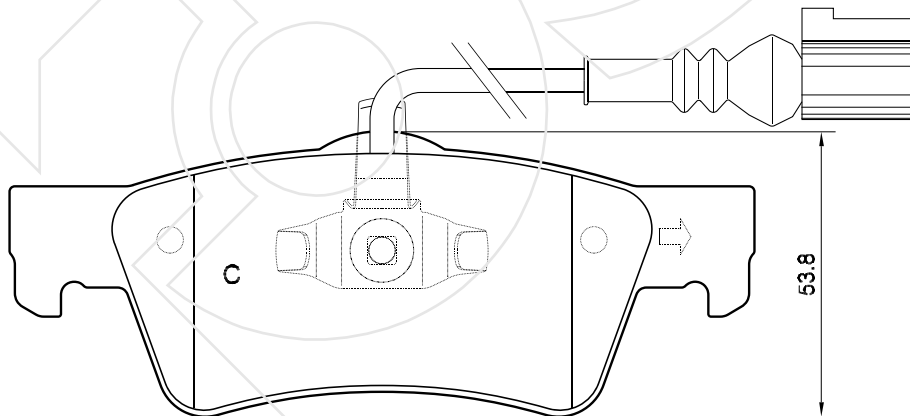
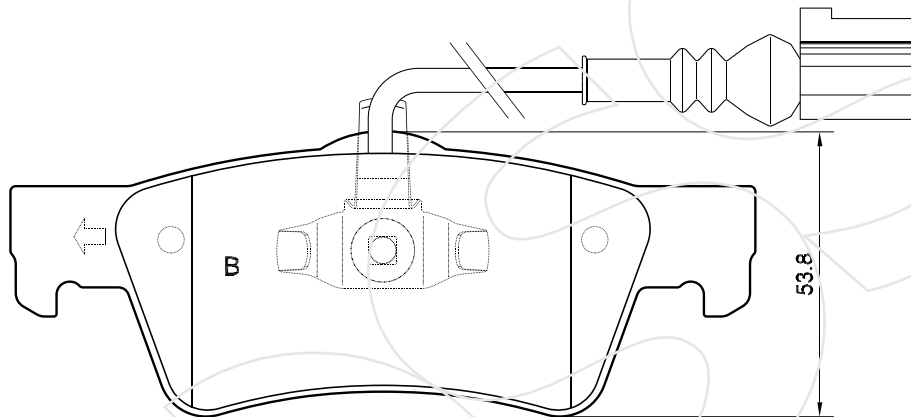
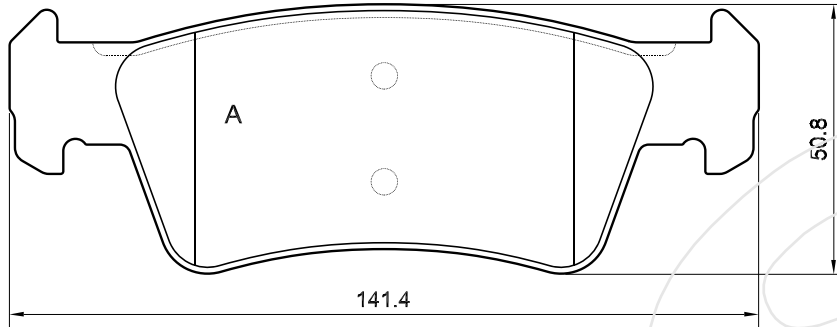
Reference in this Catalogue to other manufactures and to part numbers and other descriptions are for identification purposes only, because the above DISC BRAKE PADS are NOT ORIGINAL but with these interchangeable.

CODICE	IMPIANTO		ASSE	SCALA	APPLICAZIONI
<b>R-1281</b>	MANDO		ANTERIORE	1:1	HYUNDAI KIA SSANGYONG
CODICE COMPONENTI	N°	L(mm)	SERIE		
*	*	*	2 PEZZI TIPO A		
M0074	2	*	2 PEZZI TIPO B		
*	*	*	*		
*	*	*	*		
*	*	*	*		
CODICE ACCESSORI	N°	L(mm)	NOTE		
*	*	*			
*	*	*			
*	*	*			
*	*	*			



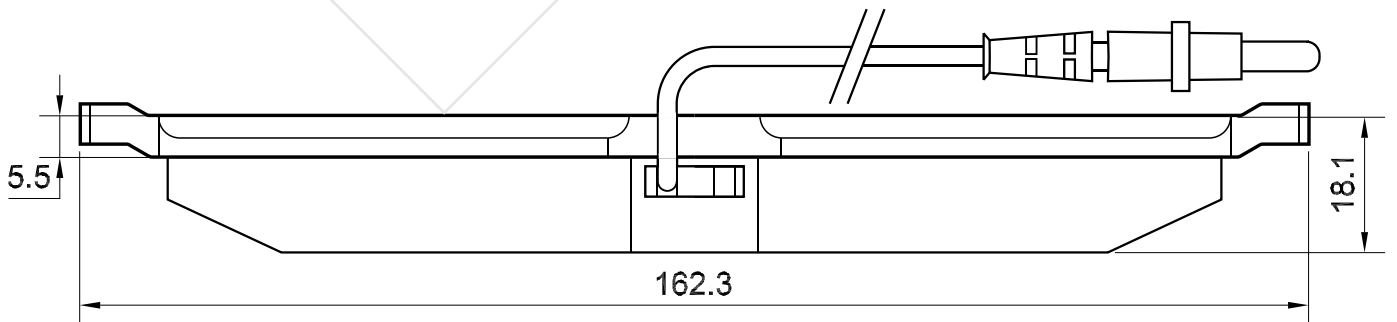
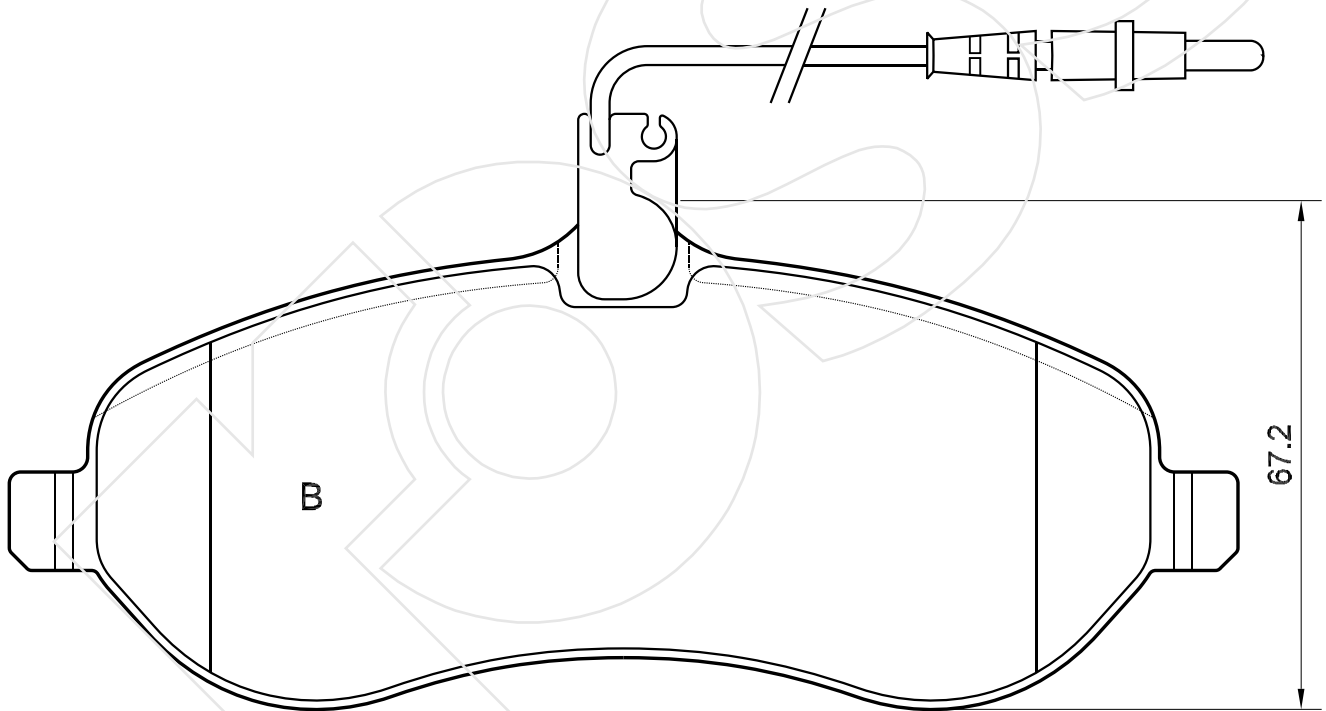
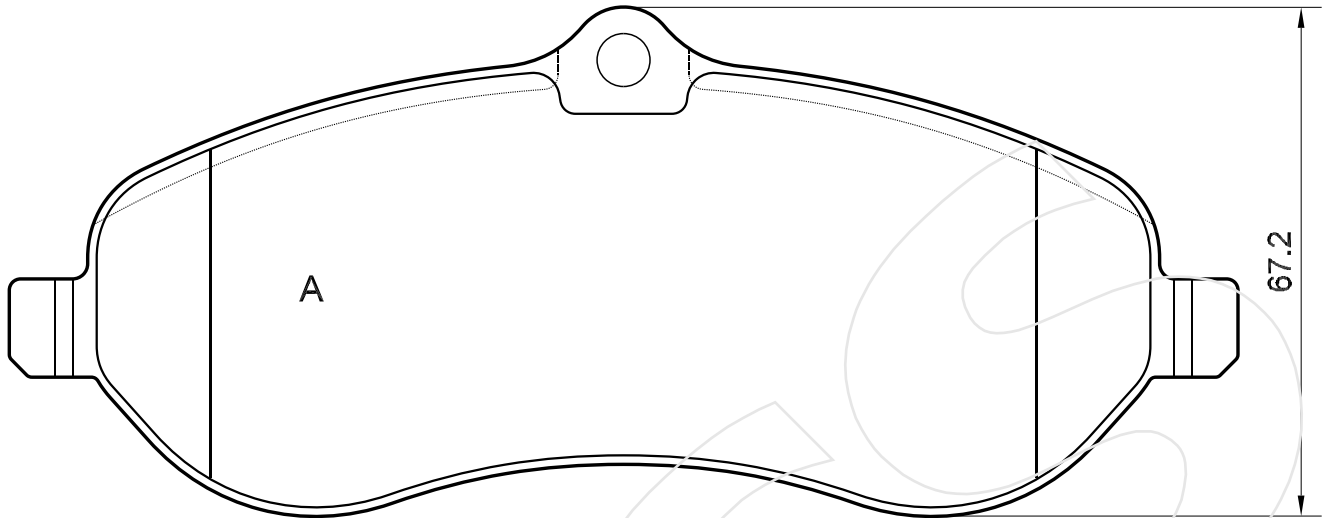
Reference in this Catalogue to other manufactures and to part numbers and other descriptions are for identification purposes only, because the above DISC BRAKE PADS are NOT ORIGINAL but with these interchangeable.

CODICE	IMPIANTO		ASSE	SCALA	APPLICAZIONI
<b>R-1282</b>	ATE		POSTERIORE	70%	VOLKSWAGEN
CODICE COMPONENTI	N°	L(mm)	SERIE		
*	*	*	2 PEZZI TIPO A		
M0293+F3142	1+1	240	1 PEZZO TIPO B		
M0293+F3142	1+1	240	1 PEZZO TIPO C		
*	*	*	*		
CODICE ACCESSORI	N°	L(mm)	NOTE		
*	*	*			
*	*	*			
*	*	*			
*	*	*			



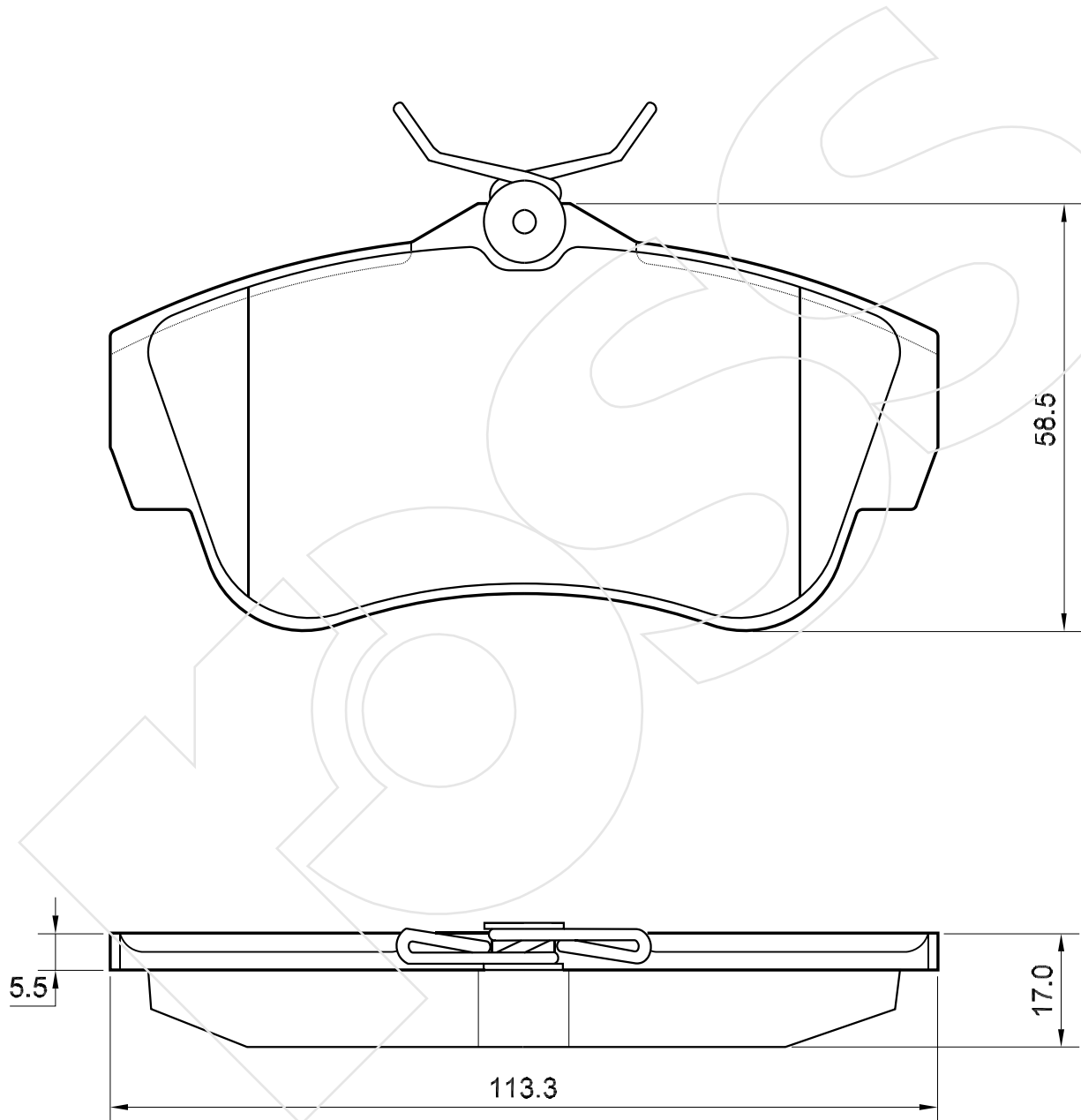
Reference in this Catalogue to other manufactures and to part numbers and other descriptions are for identification purposes only, because the above DISC BRAKE PADS are NOT ORIGINAL but with these interchangeable.

CODICE	IMPIANTO		ASSE	SCALA	APPLICAZIONI
<b>R-1283</b>	LUCAS		ANTERIORE	1:1	CITROEN PEUGEOT FIAT
CODICE COMPONENTI	N°	L(mm)	SERIE		
*	*	*	3 PEZZI TIPO A		
F3154	1	350	1 PEZZO TIPO B		
*	*	*	*		
*	*	*	*		
*	*	*	*		
CODICE ACCESSORI	N°	L(mm)	NOTE		
*	*	*			
*	*	*			
*	*	*			
*	*	*			



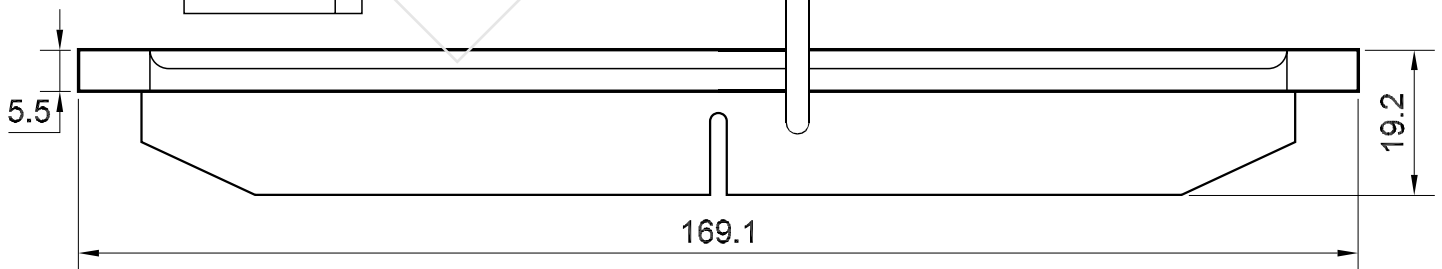
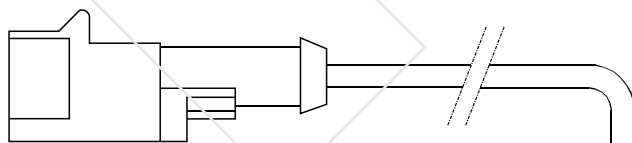
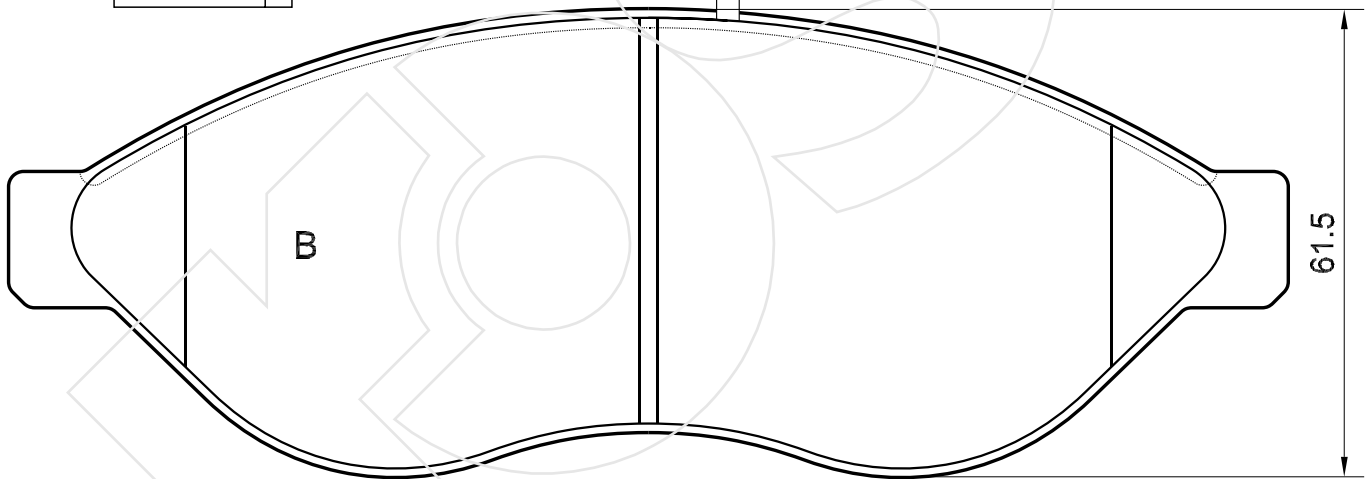
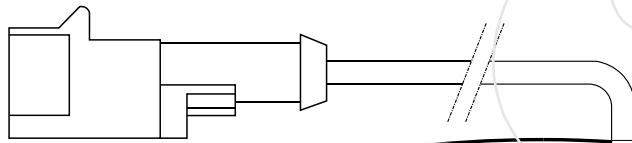
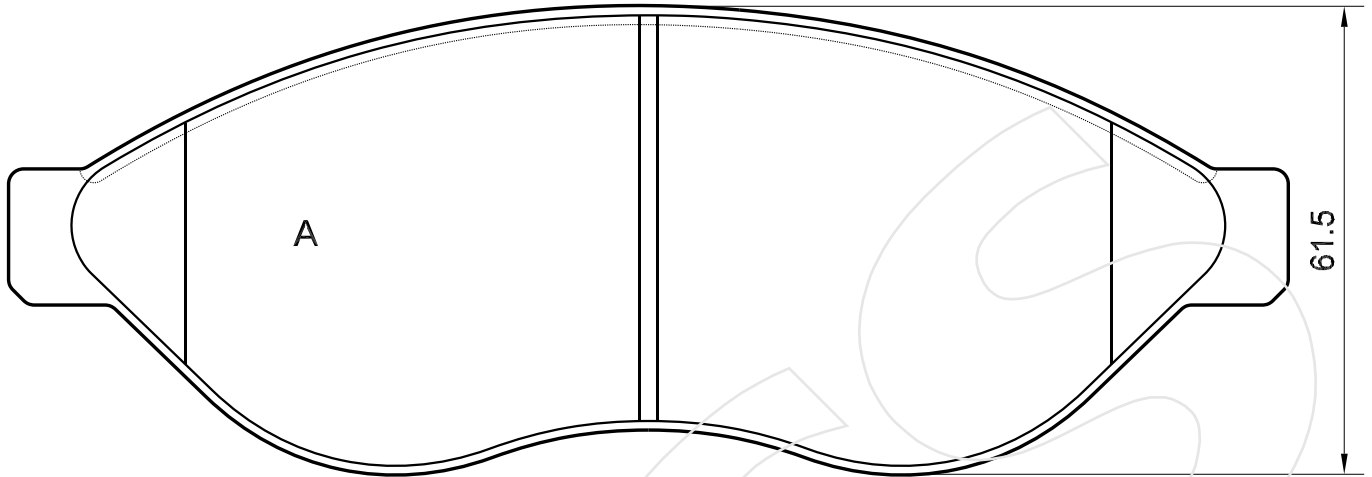
Reference in this Catalogue to other manufactures and to part numbers and other descriptions are for identification purposes only, because the above DISC BRAKE PADS are NOT ORIGINAL but with these interchangeable.

CODICE	IMPIANTO		ASSE	SCALA	APPLICAZIONI
<b>R-1284</b>	LUCAS		POSTERIORE	1:1	CITROEN PEUGEOT FIAT
CODICE COMPONENTI	N°	L(mm)	SERIE		
M0015	4	*	4 PEZZI		
*	*	*	*		
*	*	*	*		
*	*	*	*		
CODICE ACCESSORI	N°	L(mm)	NOTE		
*	*	*			
*	*	*			
*	*	*			



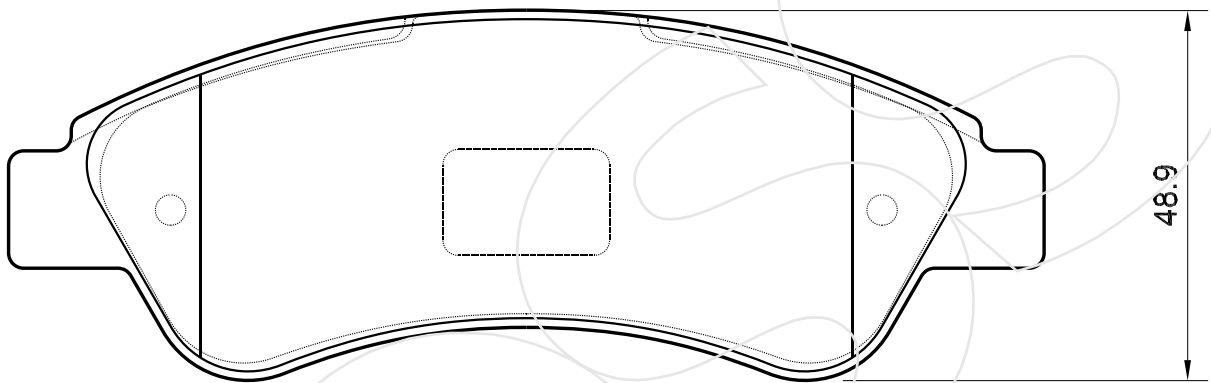
Reference in this Catalogue to other manufactures and to part numbers and other descriptions are for identification purposes only, because the above DISC BRAKE PADS are NOT ORIGINAL but with these interchangeable.

CODICE	IMPIANTO		ASSE	SCALA	APPLICAZIONI
<b>R-1285</b>	BREMBO		ANTERIORE	1:1	CITROEN - FIAT - PEUGEOT
CODICE COMPONENTI	N°	L(mm)	SERIE		
*	*	*	3 PEZZI TIPO A		
F3019	1	155	1 PEZZO TIPO B		
*	*	*	*		
*	*	*	*		
*	*	*	*		
CODICE ACCESSORI	N°	L(mm)	NOTE		
*	*	*			
*	*	*			
*	*	*			
*	*	*			



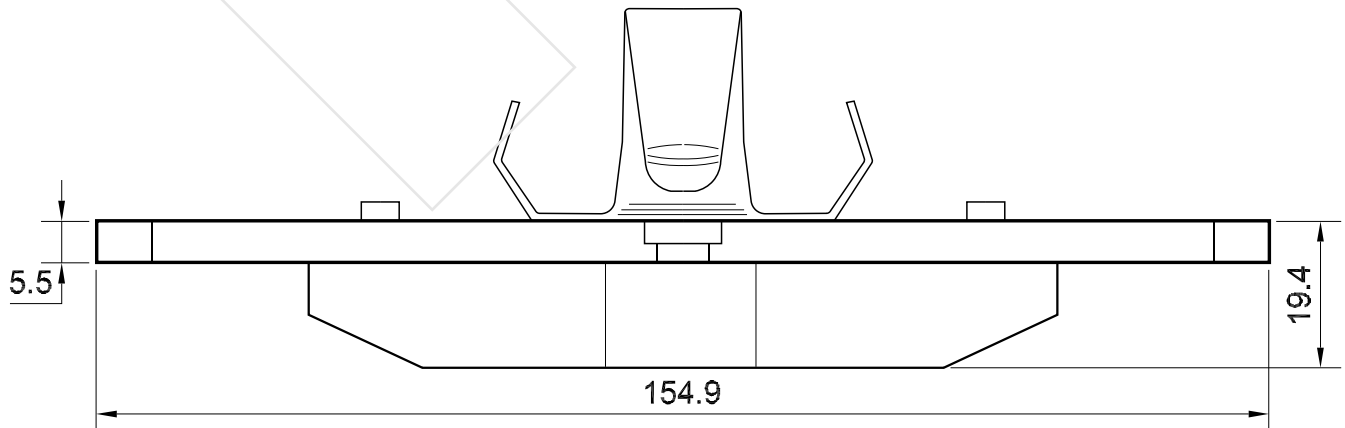
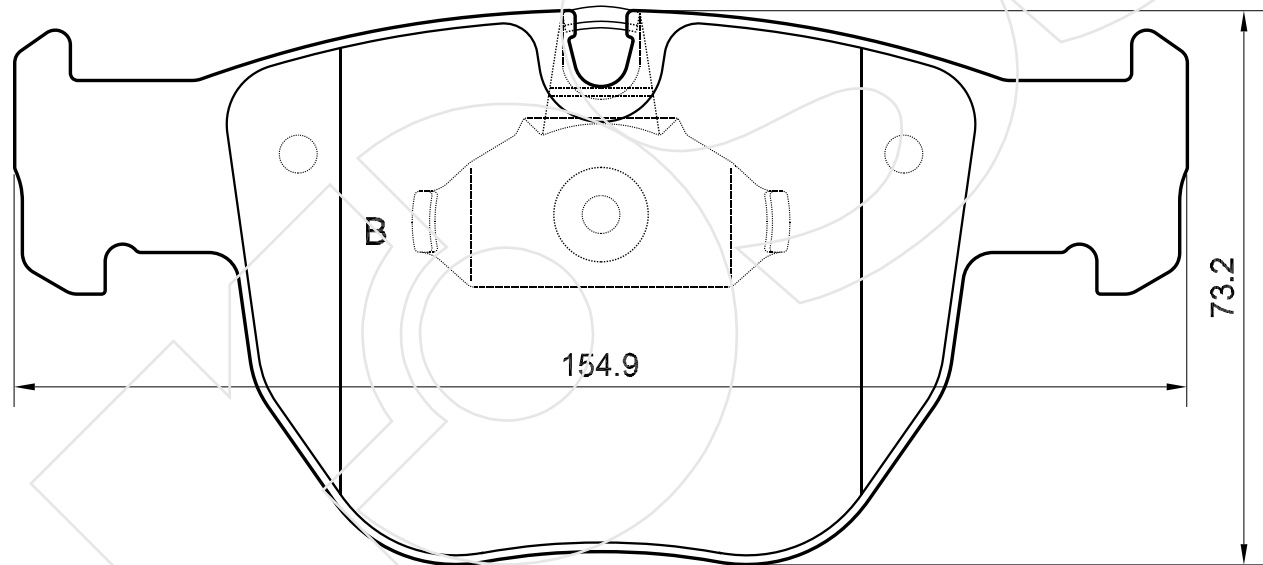
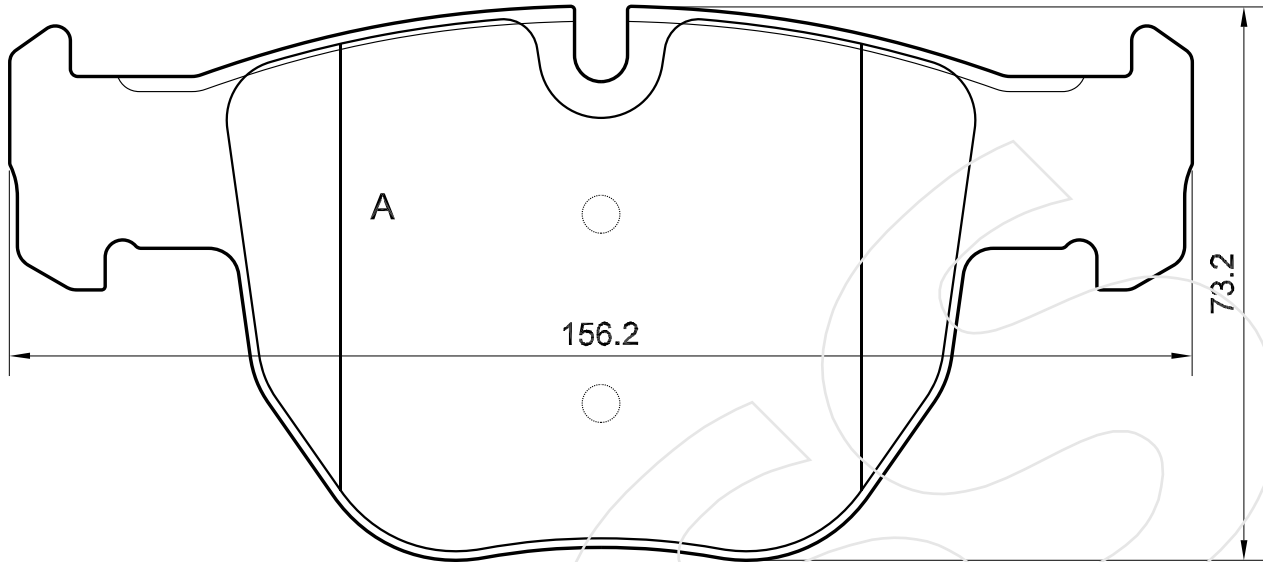
Reference in this Catalogue to other manufactures and to part numbers and other descriptions are for identification purposes only, because the above DISC BRAKE PADS are NOT ORIGINAL but with these interchangeable.

CODICE	IMPIANTO		ASSE	SCALA	APPLICAZIONI
<b>R-1286</b>	BOSCH		POSTERIORE	1:1	CITROEN FIAT PEUGEOT
CODICE COMPONENTI	N°	L(mm)	SERIE		
A033	4	*	4 PEZZI TIPO		
*	*	*	*		
*	*	*	*		
*	*	*	*		
CODICE ACCESSORI	N°	L(mm)	NOTE		
*	*	*			
*	*	*			
*	*	*			



Reference in this Catalogue to other manufactures and to part numbers and other descriptions are for identification purposes only, because the above DISC BRAKE PADS are NOT ORIGINAL but with these interchangeable.

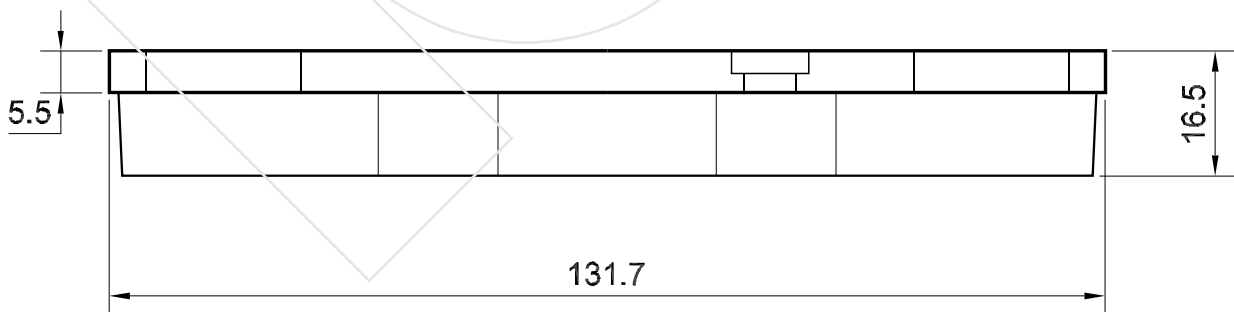
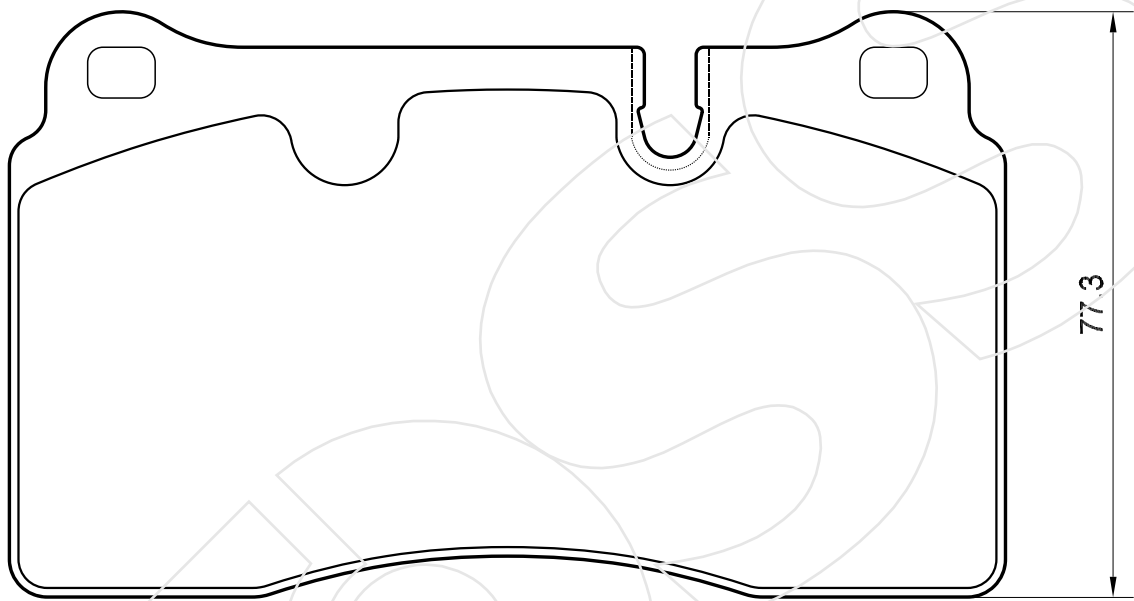
CODICE	IMPIANTO		ASSE	SCALA	APPLICAZIONI
<b>R-1287</b>	ATE		ANTERIORE	1:1	LAND ROVER
CODICE COMPONENTI	N°	L(mm)	SERIE		
*	*	*	2 PEZZI TIPO A		
M0130	2	*	2 PEZZI TIPO B		
*	*	*	*		
*	*	*	*		
CODICE ACCESSORI	N°	L(mm)	NOTE		
*	*	*			
*	*	*			
*	*	*			
*	*	*			



Reference in this Catalogue to other manufactures and to part numbers and other descriptions are for identification purposes only, because the above DISC BRAKE PADS are NOT ORIGINAL but with these interchangeable.

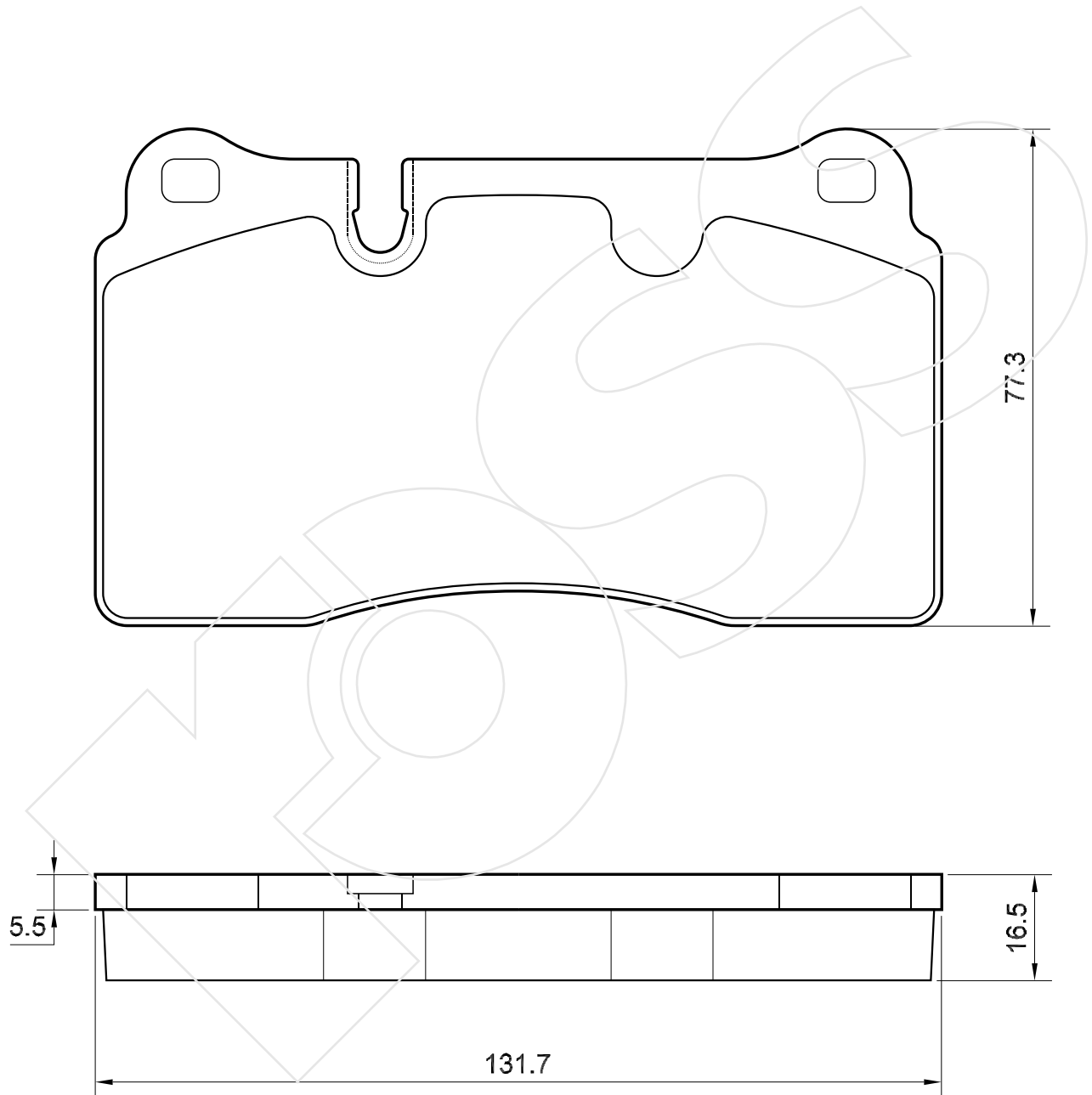


CODICE	IMPIANTO		ASSE	SCALA	APPLICAZIONI
<b>R-1288</b>	BREMBO		ANTERIORE	1:1	LAND ROVER
CODICE COMPONENTI	N°	L(mm)	SERIE		
*	*	*	4 PEZZI		
*	*	*			
*	*	*			
*	*	*			
CODICE ACCESSORI	N°	L(mm)	NOTE		
*	*	*			
*	*	*			
*	*	*			
*	*	*			



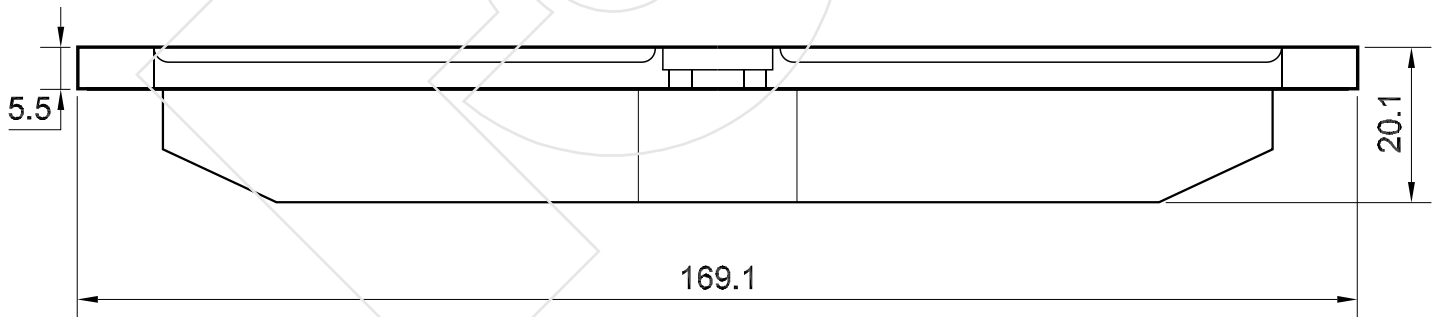
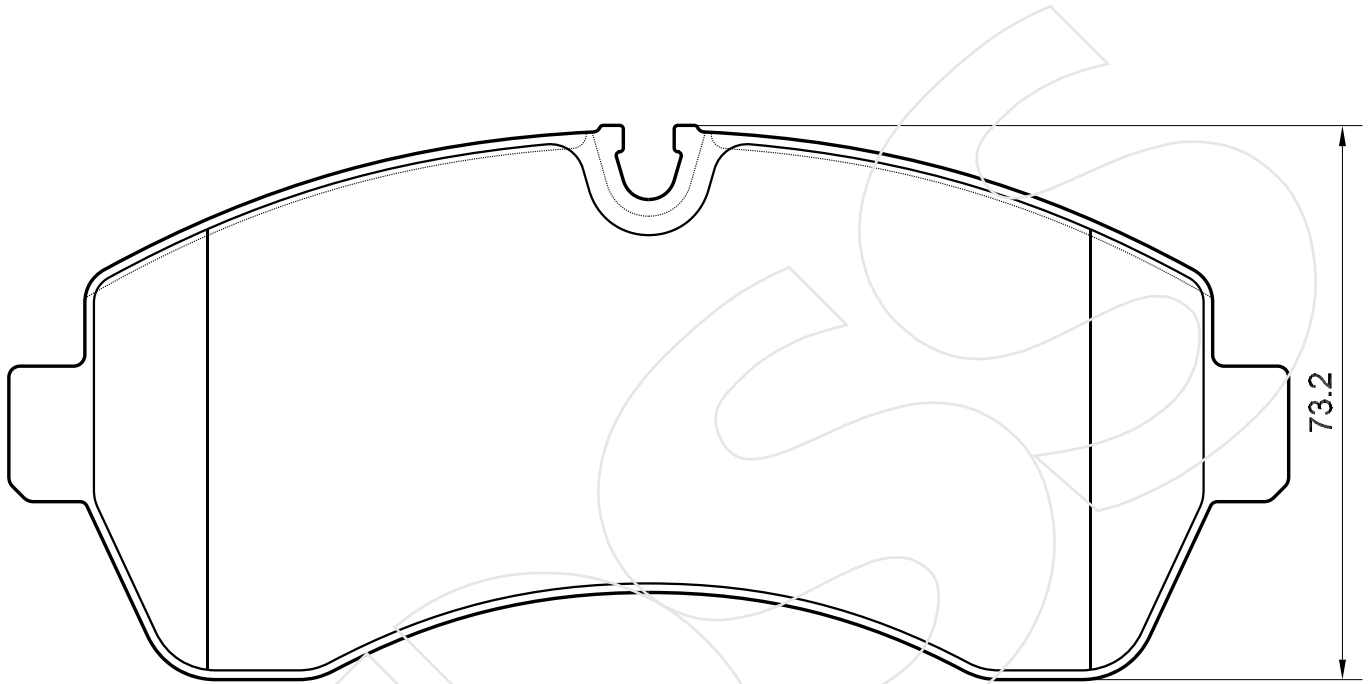
Reference in this Catalogue to other manufactures and to part numbers and other descriptions are for identification purposes only, because the above DISC BRAKE PADS are NOT ORIGINAL but with these interchangeable.

CODICE	IMPIANTO		ASSE	SCALA	APPLICAZIONI
<b>R-1289</b>	BREMBO		ANTERIORE	1:1	VOLKSWAGEN
CODICE COMPONENTI	N°	L(mm)	SERIE		
*	*	*	4 PEZZI		
*	*	*			
*	*	*			
*	*	*			
CODICE ACCESSORI	N°	L(mm)	NOTE		
*	*	*			
*	*	*			
*	*	*			
*	*	*			



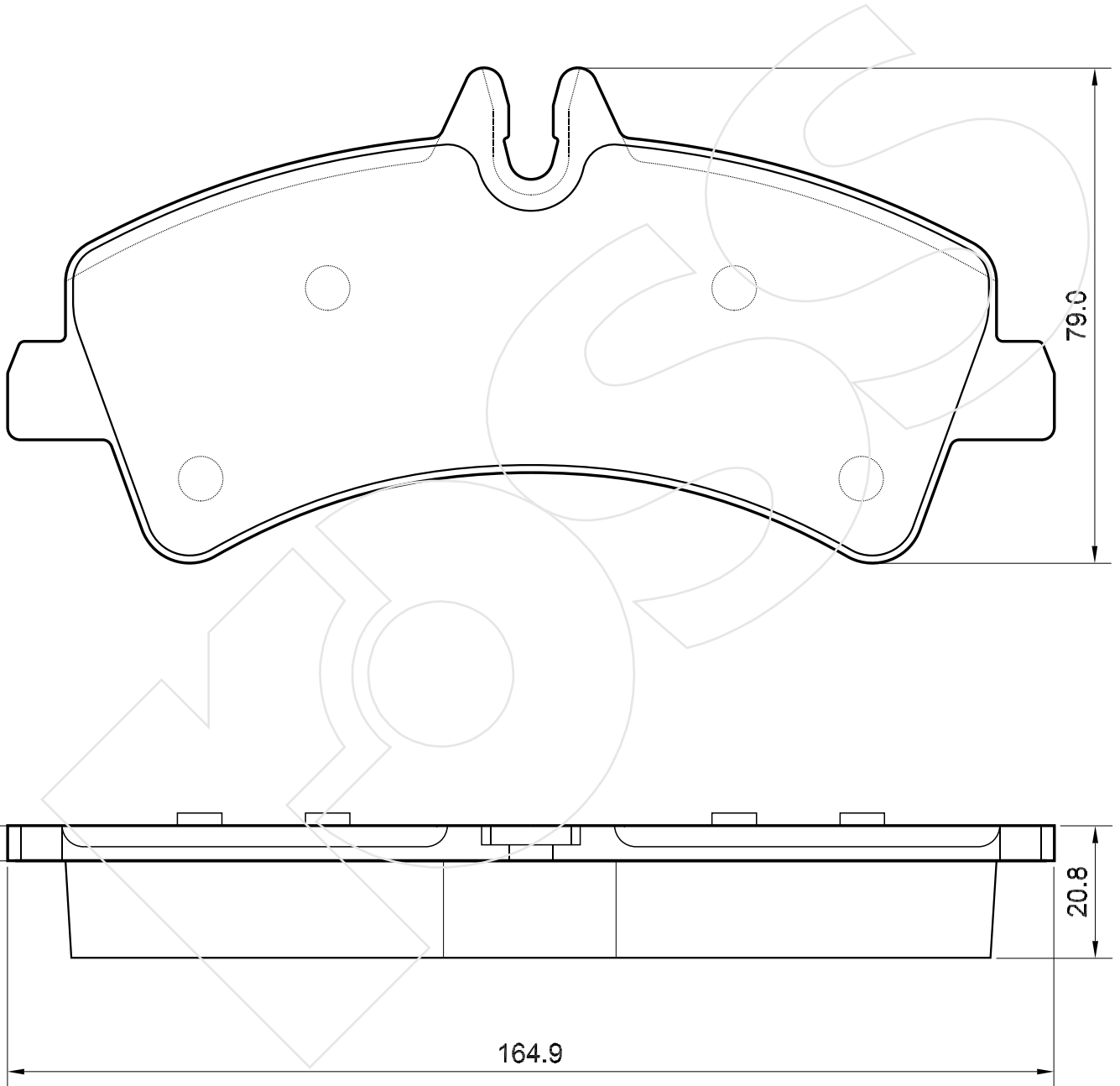
Reference in this Catalogue to other manufactures and to part numbers and other descriptions are for identification purposes only, because the above DISC BRAKE PADS are NOT ORIGINAL but with these interchangeable.

CODICE	IMPIANTO		ASSE	SCALA	APPLICAZIONI
<b>R-1290</b>	BREMBO		ANTERIORE	1:1	MERCEDES
CODICE COMPONENTI	N°	L(mm)	SERIE		VOLKSWAGEN
*	*	*	4 PEZZI		
*	*	*	*		
*	*	*	*		
*	*	*	*		
CODICE ACCESSORI	N°	L(mm)	NOTE		
*	*	*			
*	*	*			
*	*	*			
*	*	*			



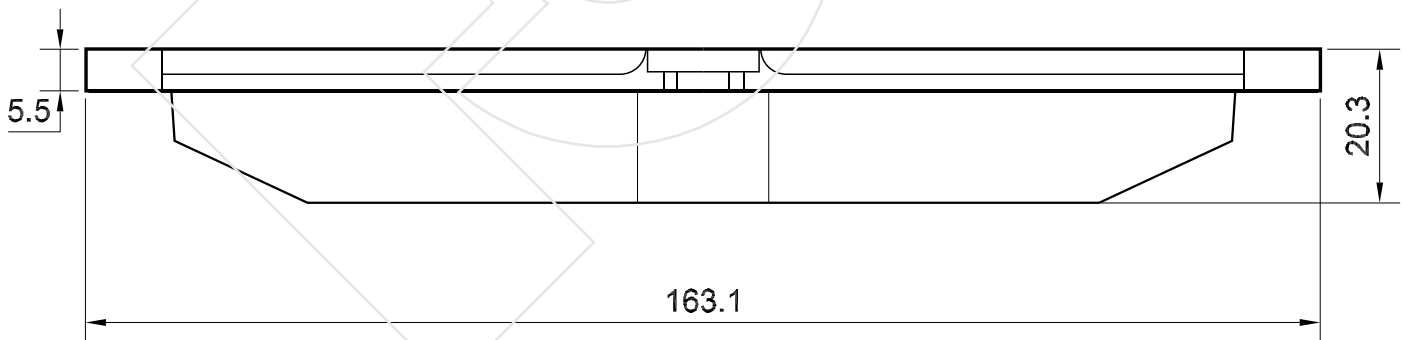
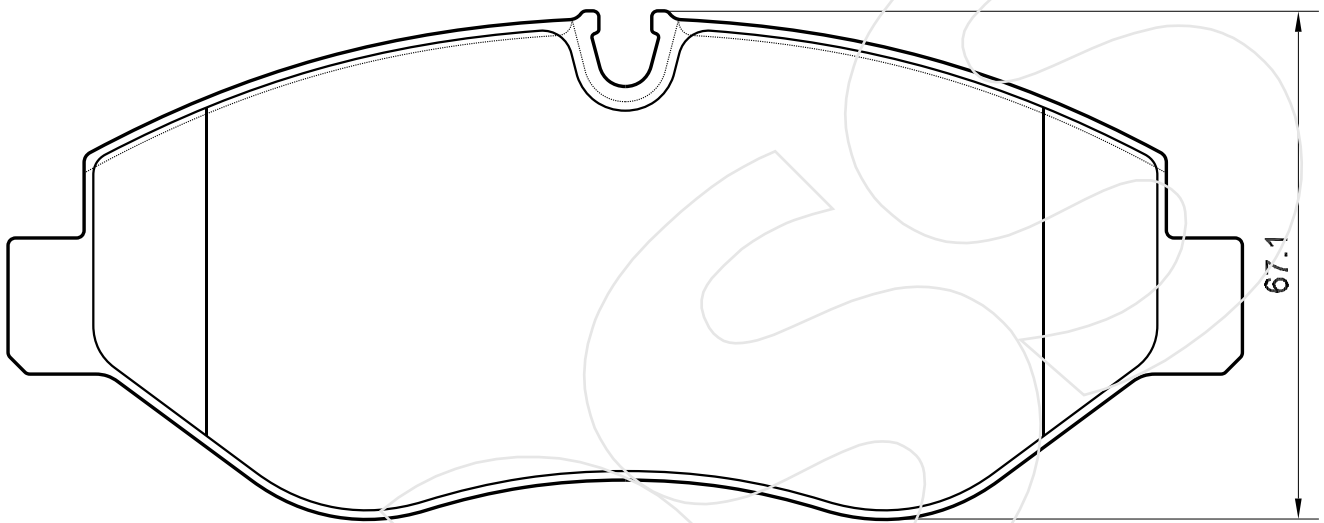
Reference in this Catalogue to other manufactures and to part numbers and other descriptions are for identification purposes only, because the above DISC BRAKE PADS are NOT ORIGINAL but with these interchangeable.

CODICE	IMPIANTO		ASSE	SCALA	APPLICAZIONI
<b>R-1291</b>	BOSCH		POSTERIORE	1:1	MERCEDES VOLKSWAGEN
CODICE COMPONENTI	N°	L(mm)	SERIE		
*	*	*	4 PEZZI		
*	*	*			
*	*	*			
*	*	*			
CODICE ACCESSORI	N°	L(mm)	NOTE		
*	*	*			
*	*	*			
*	*	*			
*	*	*			



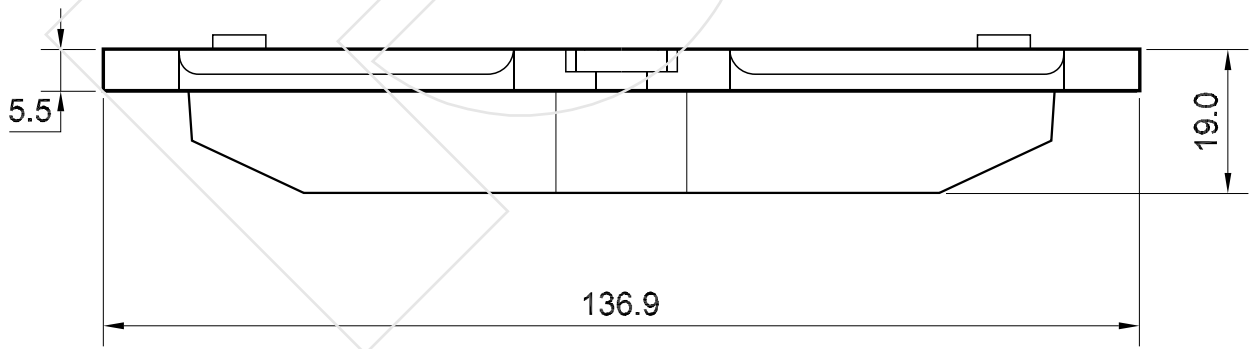
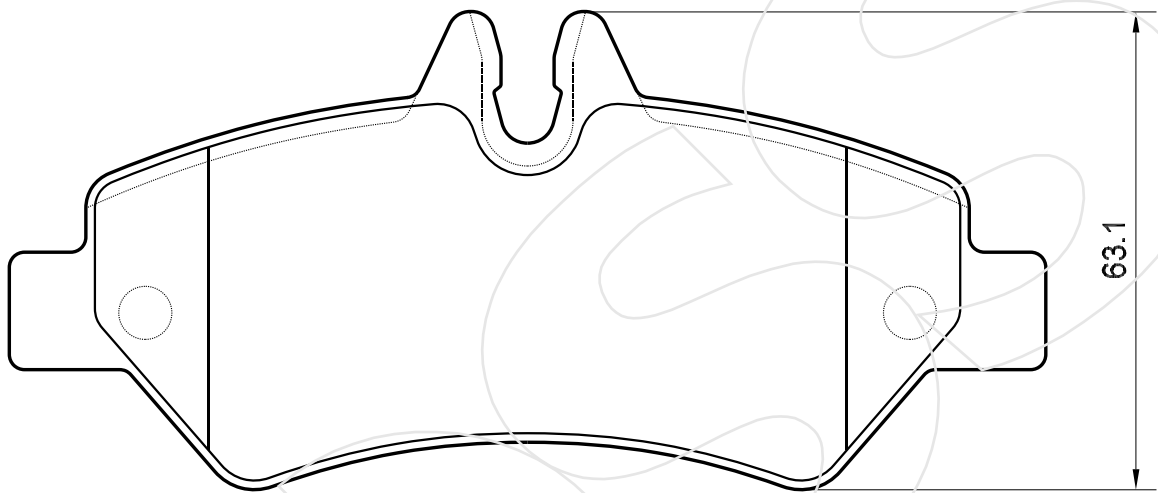
Reference in this Catalogue to other manufactures and to part numbers and other descriptions are for identification purposes only, because the above DISC BRAKE PADS are NOT ORIGINAL but with these interchangeable.

CODICE	IMPIANTO		ASSE	SCALA	APPLICAZIONI
<b>R-1292</b>	BREMBO		ANTERIORE	1:1	MERCEDES
CODICE COMPONENTI	N°	L(mm)	SERIE		VOLKSWAGEN
*	*	*	4 PEZZI		
*	*	*			
*	*	*			
*	*	*			
CODICE ACCESSORI	N°	L(mm)	NOTE		
*	*	*			
*	*	*			
*	*	*			
*	*	*			



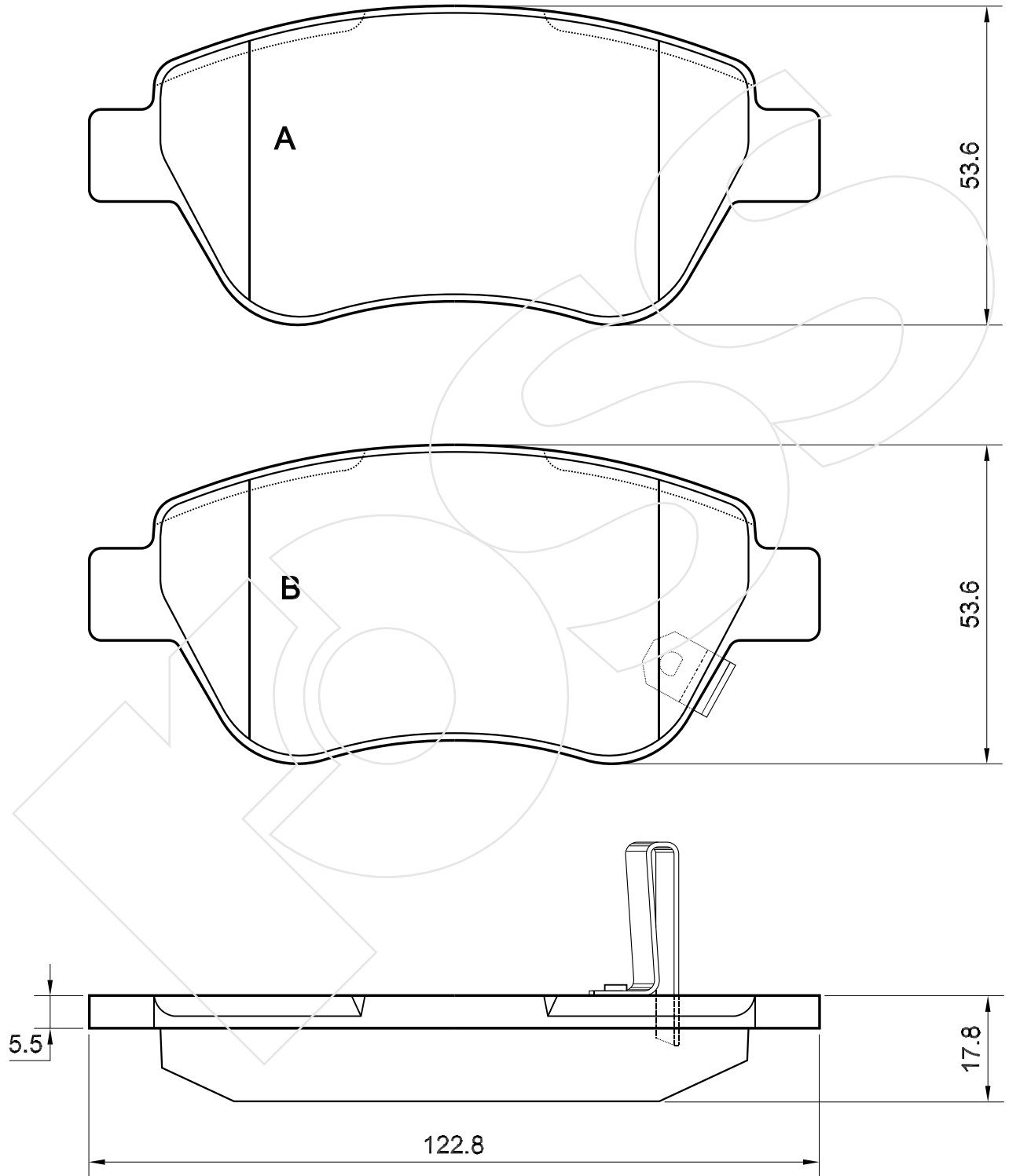
Reference in this Catalogue to other manufactures and to part numbers and other descriptions are for identification purposes only, because the above DISC BRAKE PADS are NOT ORIGINAL but with these interchangeable.

CODICE	IMPIANTO		ASSE	SCALA	APPLICAZIONI
<b>R-1293</b>	BOSCH		POSTERIORE	1:1	MERCEDES VOLKSWAGEN
CODICE COMPONENTI	N°	L(mm)	SERIE		
*	*	*	4 PEZZI		
*	*	*			
*	*	*			
*	*	*			
CODICE ACCESSORI	N°	L(mm)	NOTE		
*	*	*			
*	*	*			
*	*	*			
*	*	*			



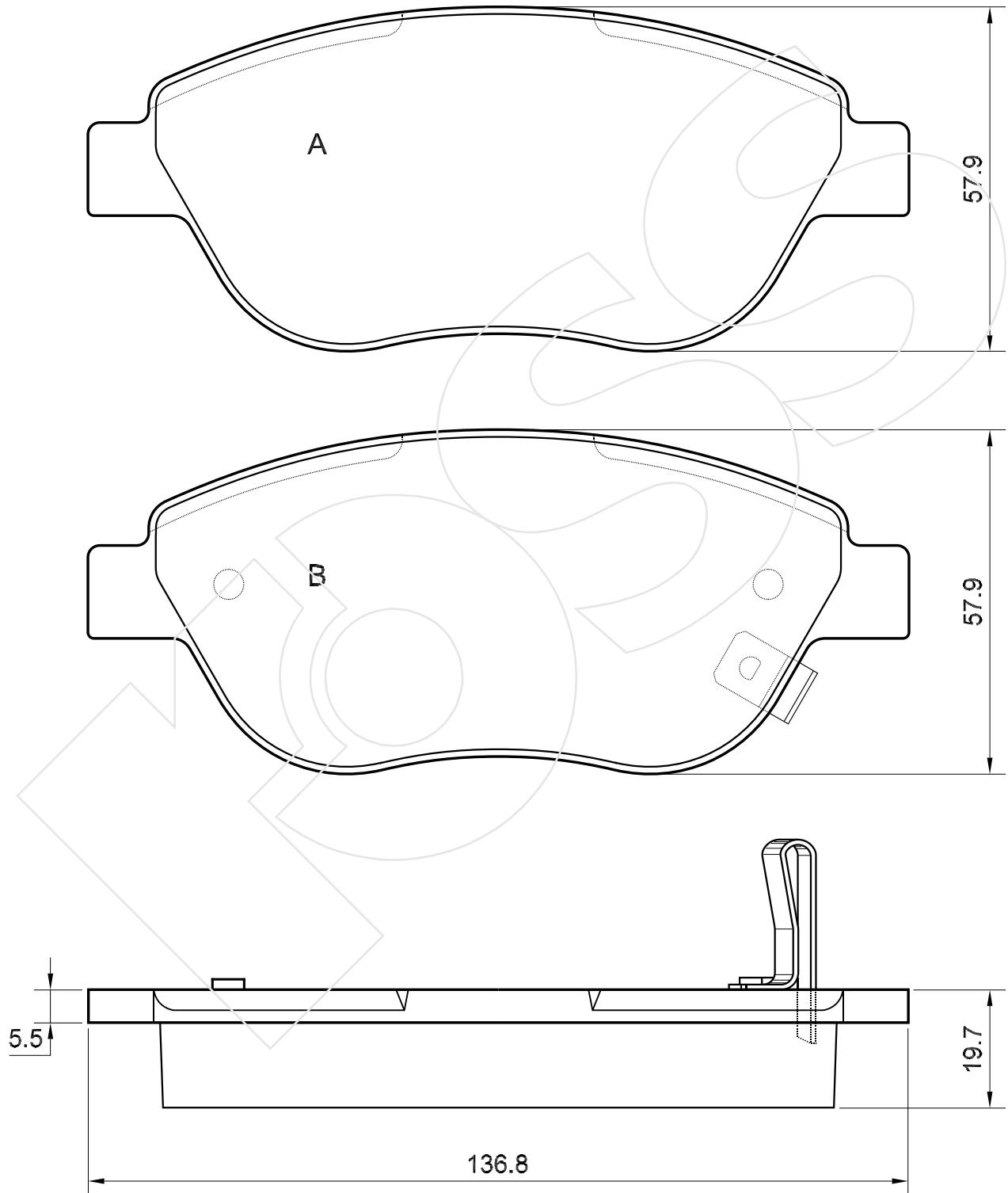
Reference in this Catalogue to other manufactures and to part numbers and other descriptions are for identification purposes only, because the above DISC BRAKE PADS are NOT ORIGINAL but with these interchangeable.

CODICE	IMPIANTO		ASSE	SCALA	APPLICAZIONI
<b>R-1294</b>	BOSCH		ANTERIORE	1:1	OPEL
CODICE COMPONENTI	N°	L(mm)	SERIE		
*	*	*	3 PEZZI TIPO A		
M000	1	*	1 PEZZO TIPO B		
*	*	*	*		
*	*	*	*		
CODICE ACCESSORI	N°	L(mm)	NOTE		
*	*	*			
*	*	*			
*	*	*			
*	*	*			



Reference in this Catalogue to other manufactures and to part numbers and other descriptions are for identification purposes only, because the above DISC BRAKE PADS are NOT ORIGINAL but with these interchangeable.

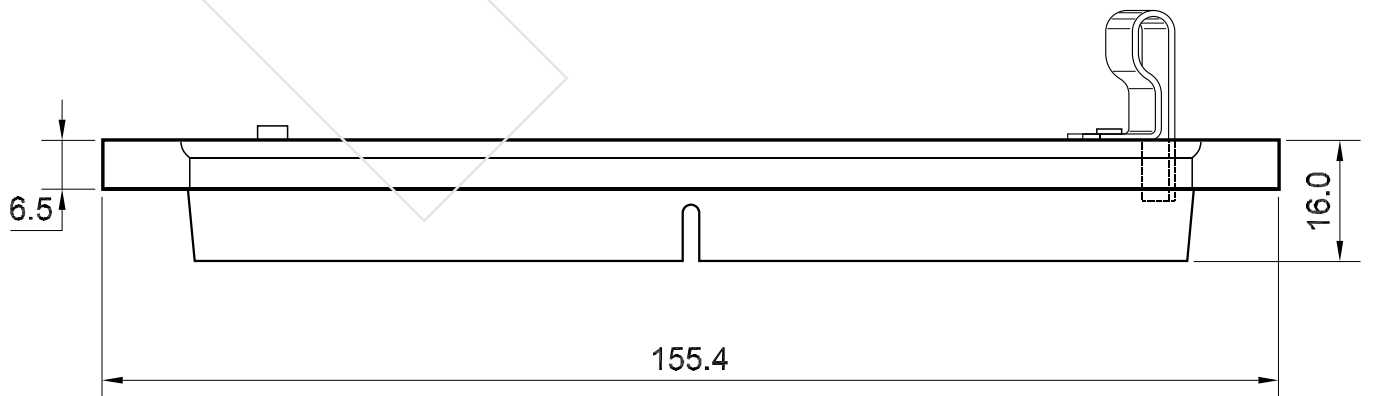
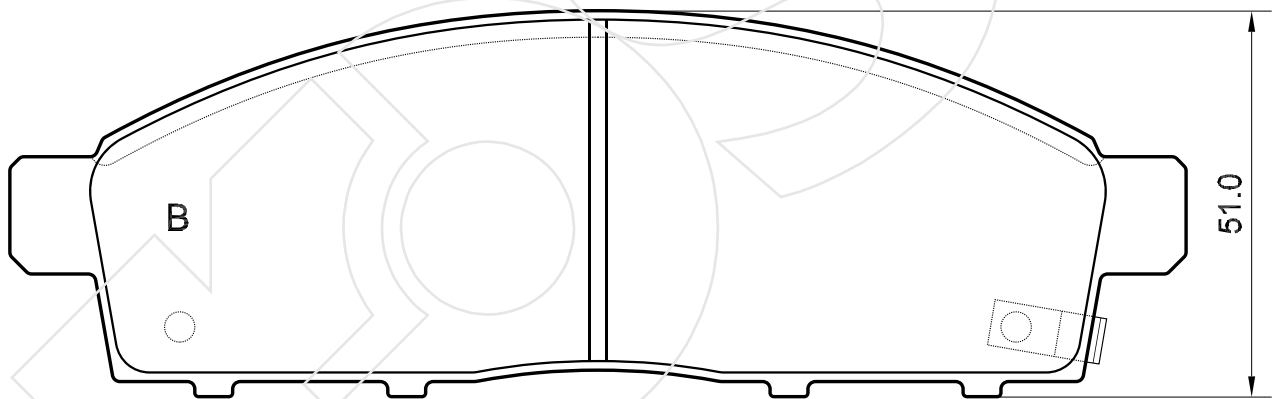
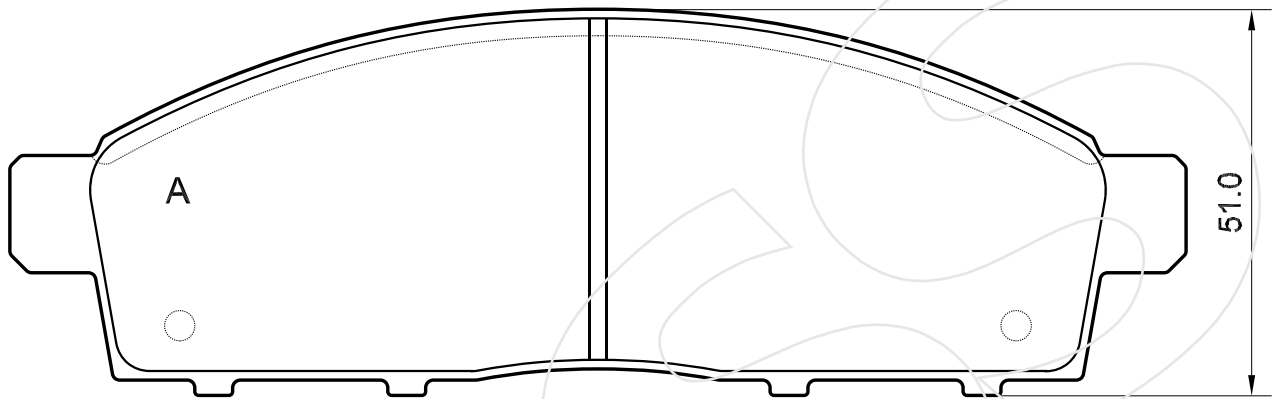
CODICE	IMPIANTO		ASSE	SCALA	APPLICAZIONI
<b>R-1295</b>	BOSCH		ANTERIORE	1:1	OPEL
CODICE COMPONENTI	N°	L(mm)	SERIE		
*	*	*	3 PEZZI TIPO A		
M000	1	*	1 PEZZO TIPO B		
*	*	*	*		
*	*	*	*		
CODICE ACCESSORI	N°	L(mm)	NOTE		
*	*	*			
*	*	*			
*	*	*			
*	*	*			



Reference in this Catalogue to other manufactures and to part numbers and other descriptions are for identification purposes only, because the above DISC BRAKE PADS are NOT ORIGINAL but with these interchangeable.

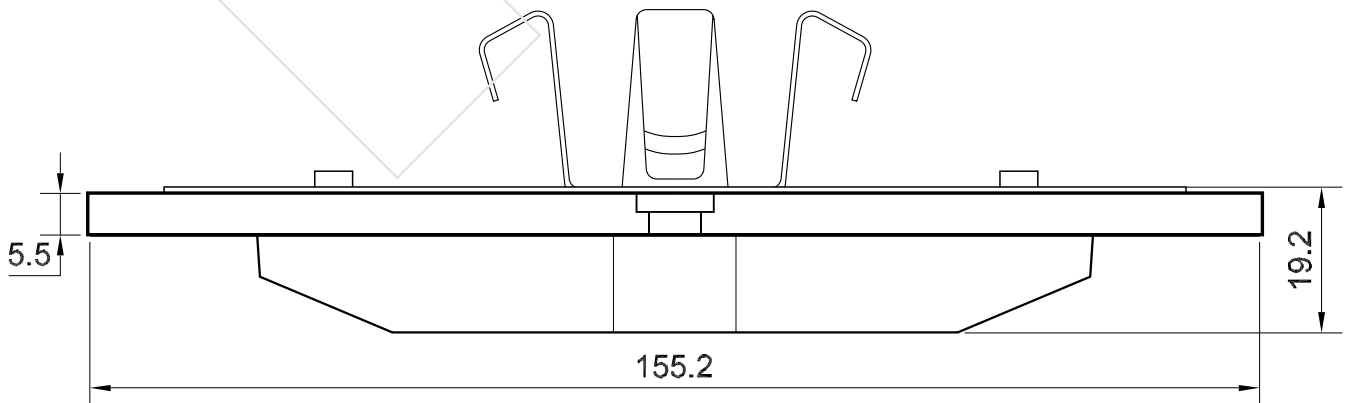
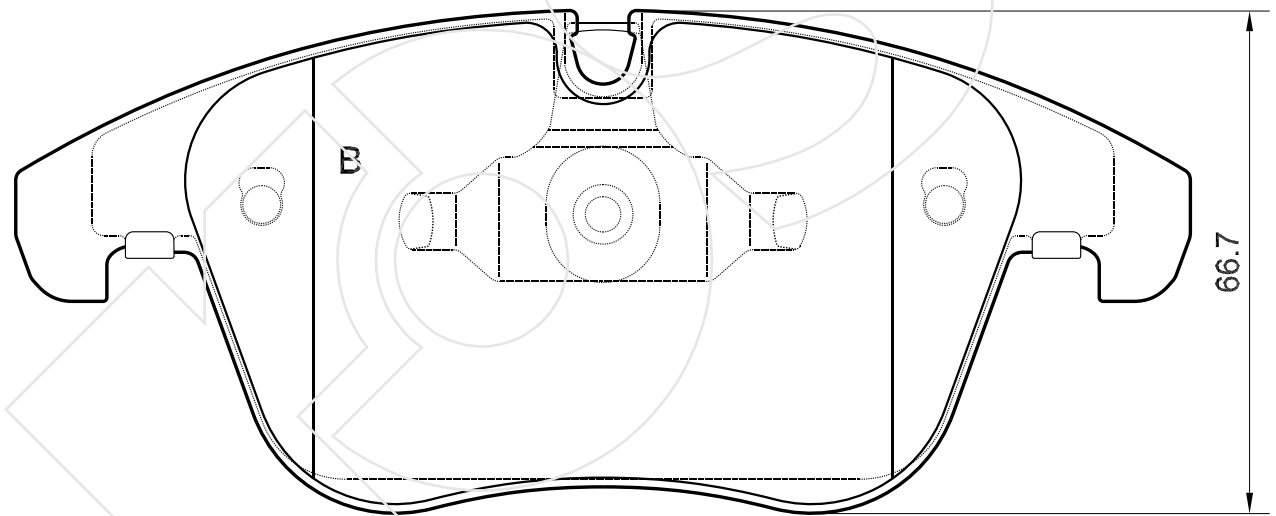
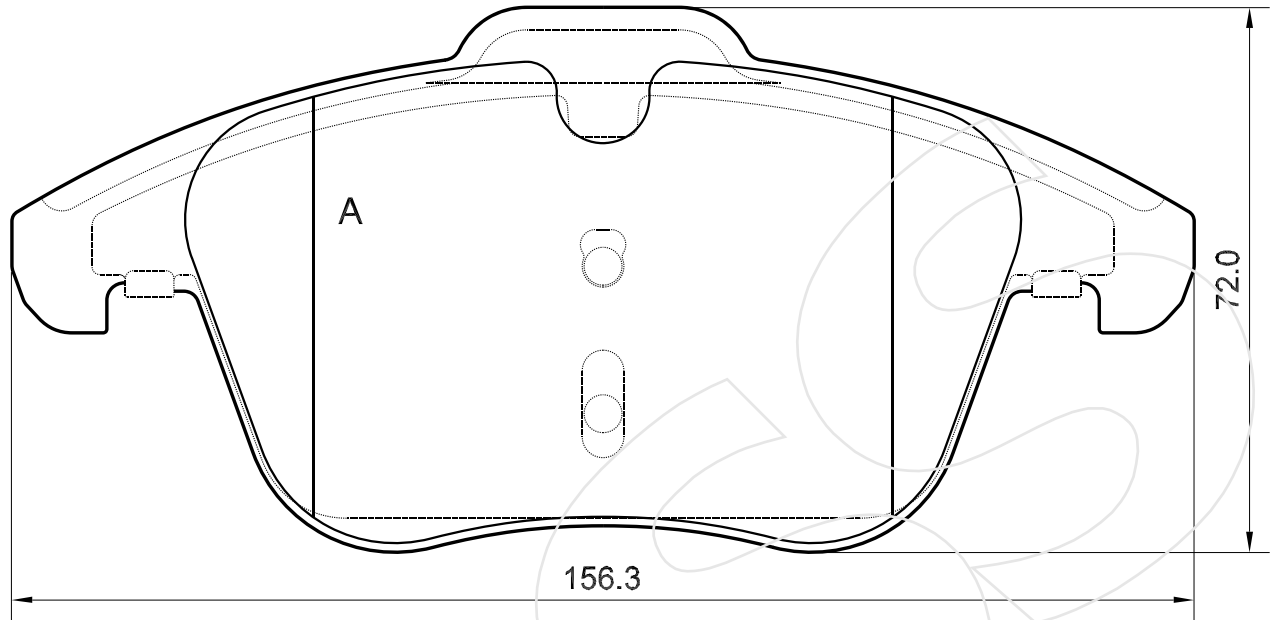


CODICE	IMPIANTO		ASSE	SCALA	APPLICAZIONI
<b>R-1296</b>	TOKICO		ANTERIORE	1:1	MITSUBISHI
CODICE COMPONENTI	N°	L(mm)	SERIE		
*	*	*	3 PEZZI TIPO A		
M000	1	*	1 PEZZO TIPO B		
*	*	*	*		
*	*	*	*		
CODICE ACCESSORI	N°	L(mm)	NOTE		
*	*	*			
*	*	*			
*	*	*			
*	*	*			



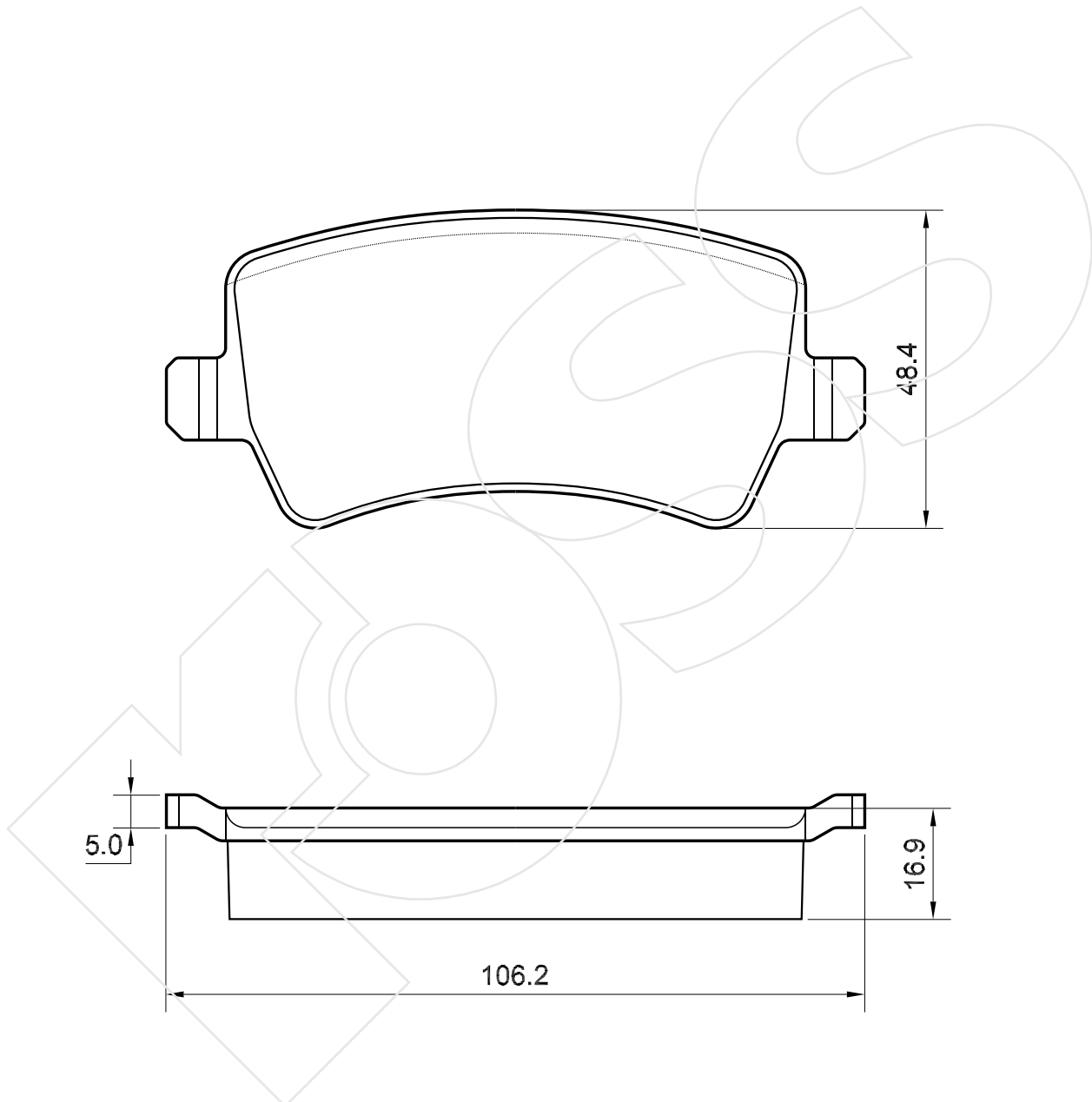
Reference in this Catalogue to other manufactures and to part numbers and other descriptions are for identification purposes only, because the above DISC BRAKE PADS are NOT ORIGINAL but with these interchangeable.

CODICE	IMPIANTO		ASSE	SCALA	APPLICAZIONI
<b>R-1297</b>	ATE		ANTERIORE	100%	FORD JAGUAR LAND ROVER VOLVO
CODICE COMPONENTI	N°	L(mm)	SERIE		
A0105	2	*	2 PEZZI TIPO A		
M0176+A0106	2+2	*	2 PEZZI TIPO B		
*	*	*	*		
*	*	*	*		
*	*	*	*		
CODICE ACCESSORI	N°	L(mm)	NOTE		
*	*	*			
*	*	*			
*	*	*			
*	*	*			



Reference in this Catalogue to other manufactures and to part numbers and other descriptions are for identification purposes only, because the above DISC BRAKE PADS are NOT ORIGINAL but with these interchangeable.

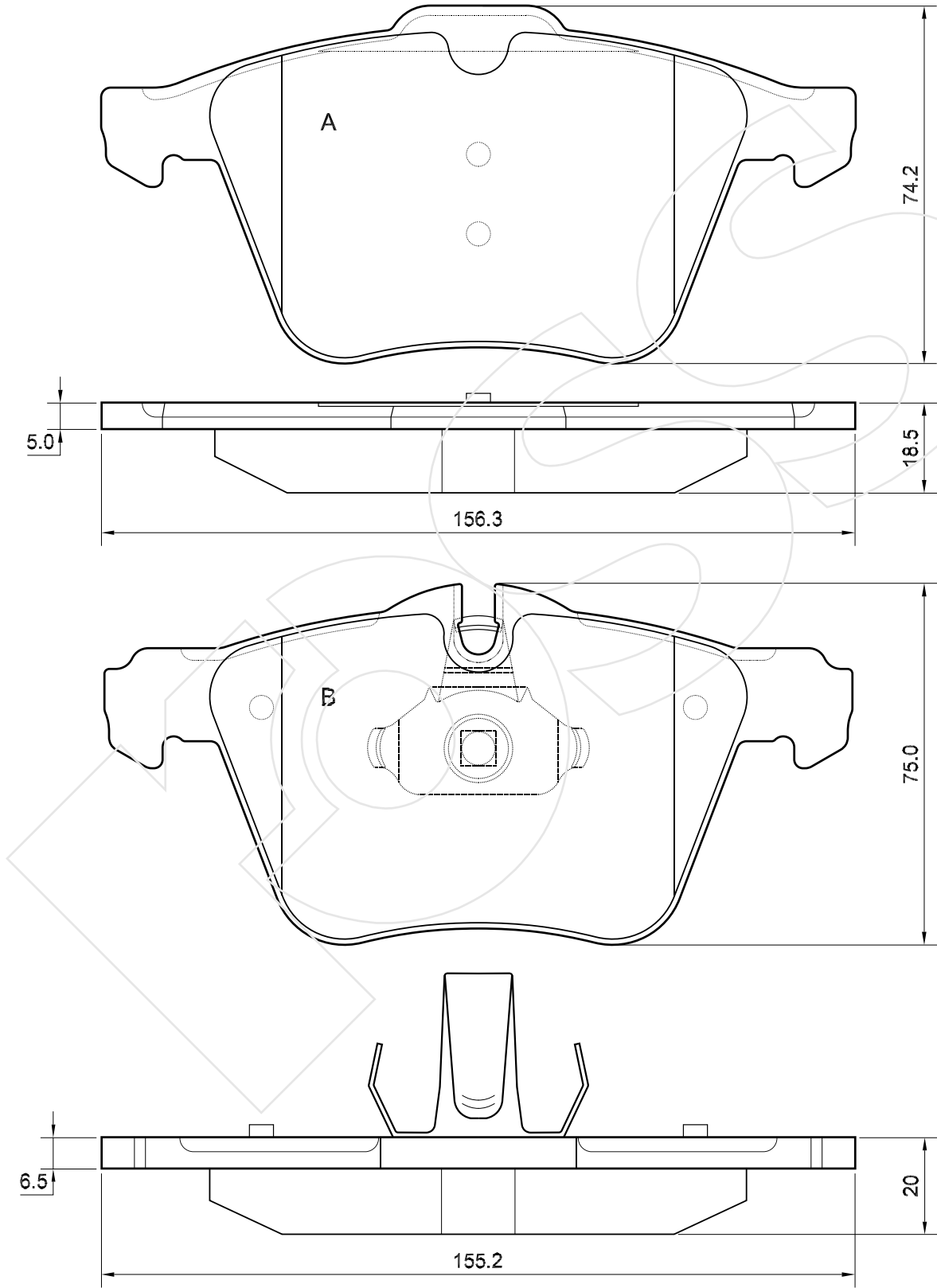
CODICE	IMPIANTO		ASSE	SCALA	APPLICAZIONI
<b>R-1298</b>	LUCAS		POSTERIORE	1:1	FORD
CODICE COMPONENTI	N°	L(mm)	SERIE		VOLVO
*	*	*	4 PEZZI		
*	*	*	*		
*	*	*	*		
*	*	*	*		
CODICE ACCESSORI	N°	L(mm)	NOTE		
*	*	*			
*	*	*			
*	*	*			
*	*	*			



Reference in this Catalogue to other manufactures and to part numbers and other descriptions are for identification purposes only, because the above DISC BRAKE PADS are NOT ORIGINAL but with these interchangeable.

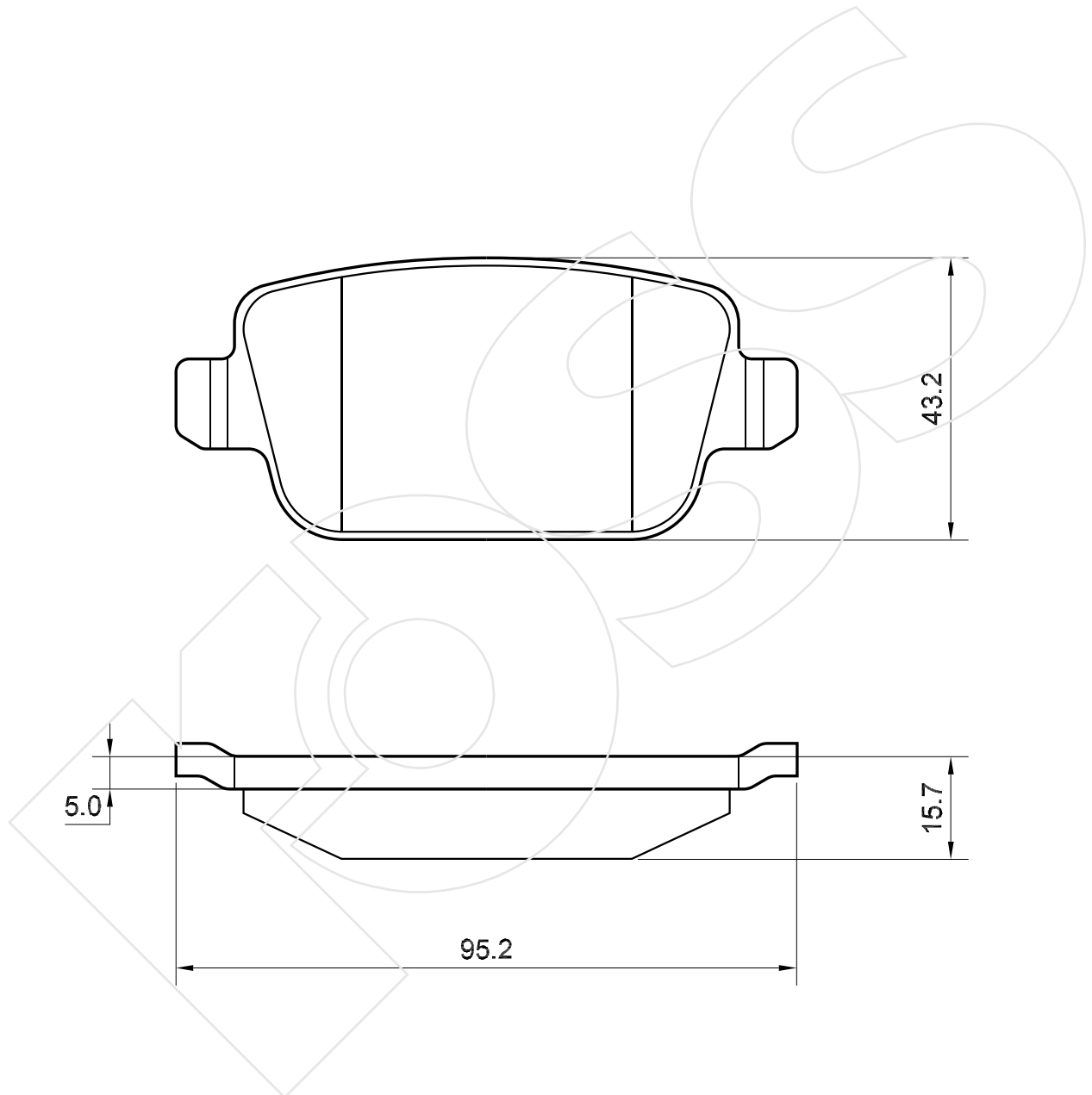
CODICE	IMPIANTO		ASSE	SCALA	APPLICAZIONI
<b>R-1299</b>	ATE		ANTERIORE	80%	FORD
CODICE COMPONENTI	N°	L(mm)	SERIE		
*	*	*	2 PEZZI TIPO A		
M0144	2	*	2 PEZZI TIPO B		
*	*	*	*		
*	*	*	*		
CODICE ACCESSORI	N°	L(mm)	NOTE		
*	*	*			
*	*	*			
*	*	*			
*	*	*			

VOLVO



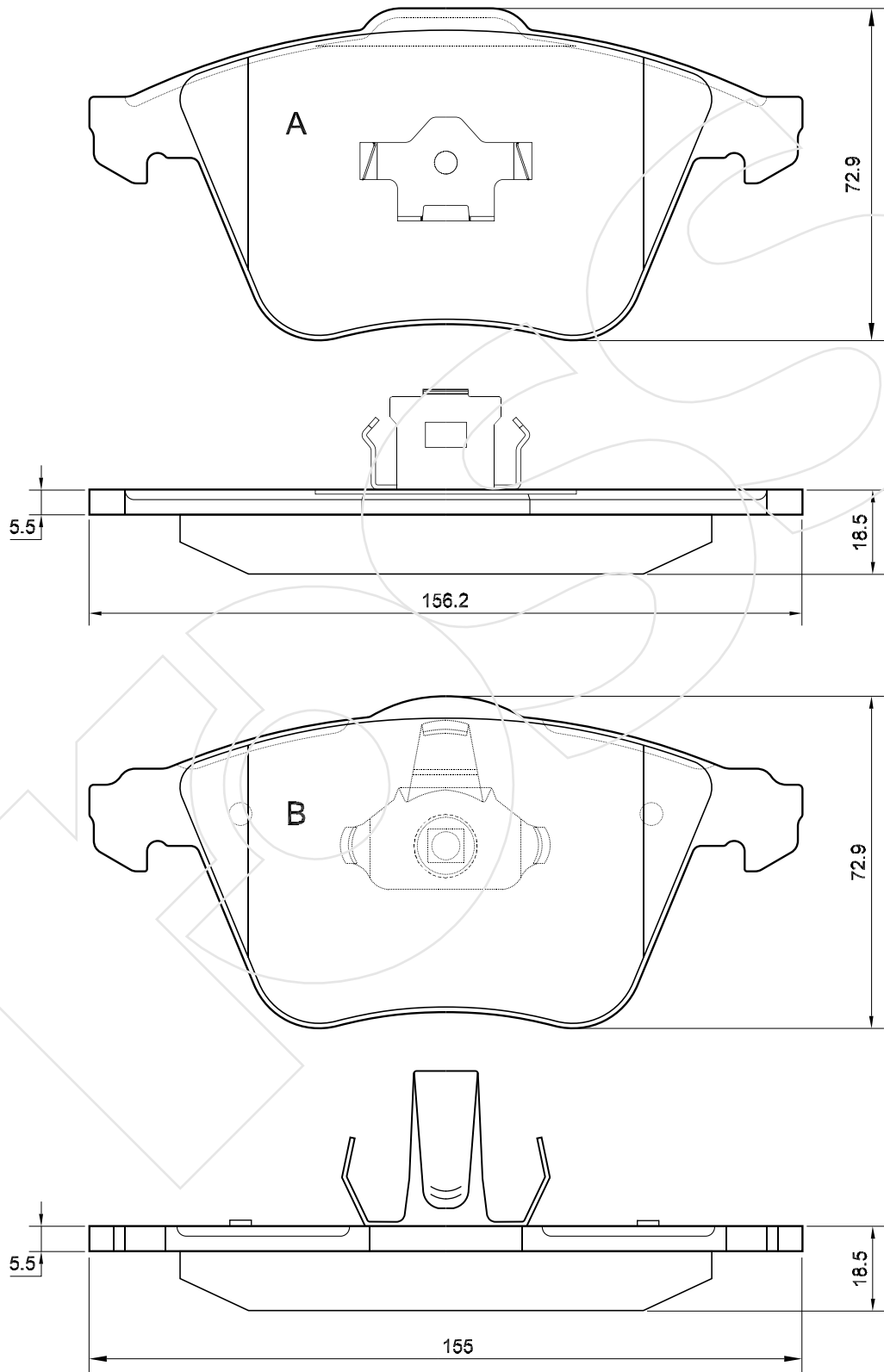
Reference in this Catalogue to other manufactures and to part numbers and other descriptions are for identification purposes only, because the above DISC BRAKE PADS are NOT ORIGINAL but with these interchangeable.

CODICE	IMPIANTO		ASSE	SCALA	APPLICAZIONI
<b>R-1300</b>	LUCAS		POSTERIORE	1:1	FORD LAND ROVER VOLVO
CODICE COMPONENTI	N°	L(mm)	SERIE		
*	*	*	4 PEZZI		
*	*	*	*		
*	*	*	*		
*	*	*	*		
CODICE ACCESSORI	N°	L(mm)	NOTE		
*	*	*			
*	*	*			
*	*	*			
*	*	*			



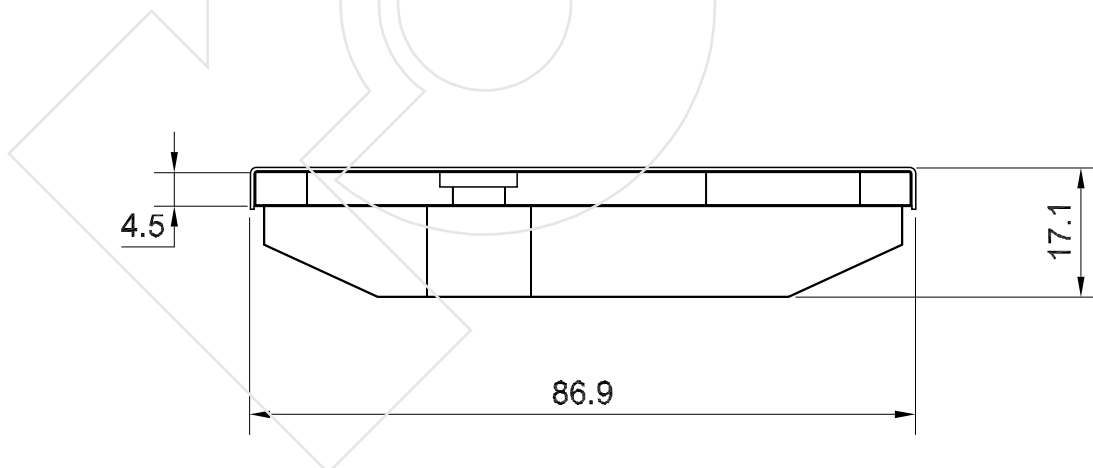
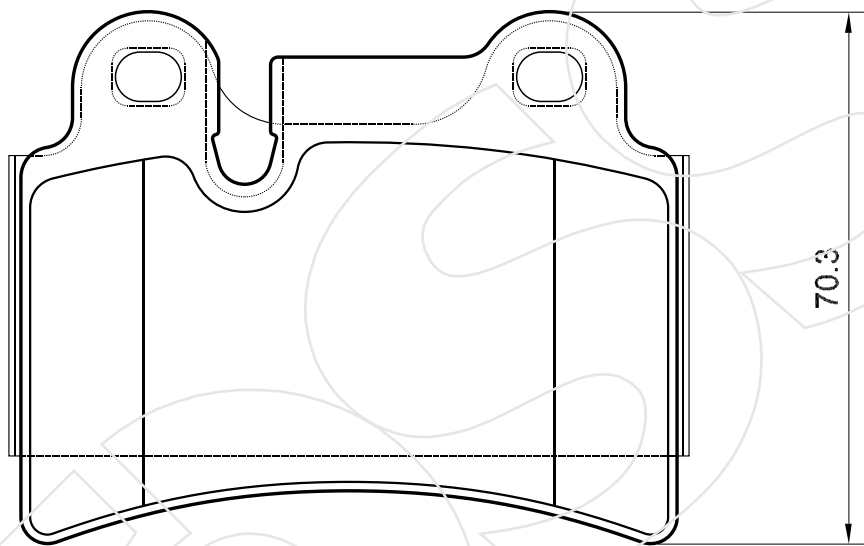
Reference in this Catalogue to other manufactures and to part numbers and other descriptions are for identification purposes only, because the above DISC BRAKE PADS are NOT ORIGINAL but with these interchangeable.

CODICE	IMPIANTO	ASSE	SCALA	APPLICAZIONI
<b>R-1301</b>	ATE	ANTERIORE	70%	OPEL VOLVO
CODICE COMPONENTI	N°	L(mm)	SERIE	
M0283	2	*	2 PEZZI TIPO A	
M0121	2	*	2 PEZZI TIPO B	
*	*	*	*	
*	*	*	*	
CODICE ACCESSORI	N°	L(mm)	NOTE	
*	*	*	*	
*	*	*	*	
*	*	*	*	
*	*	*	*	



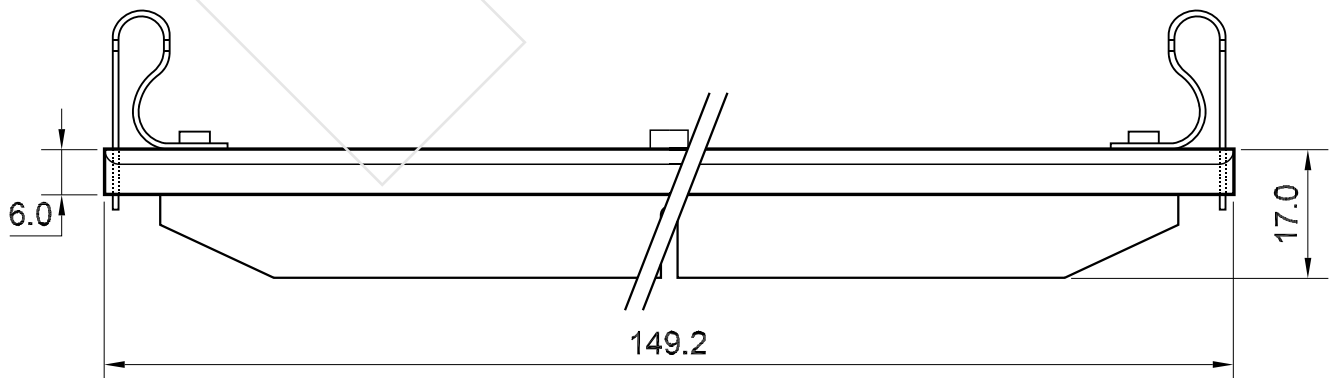
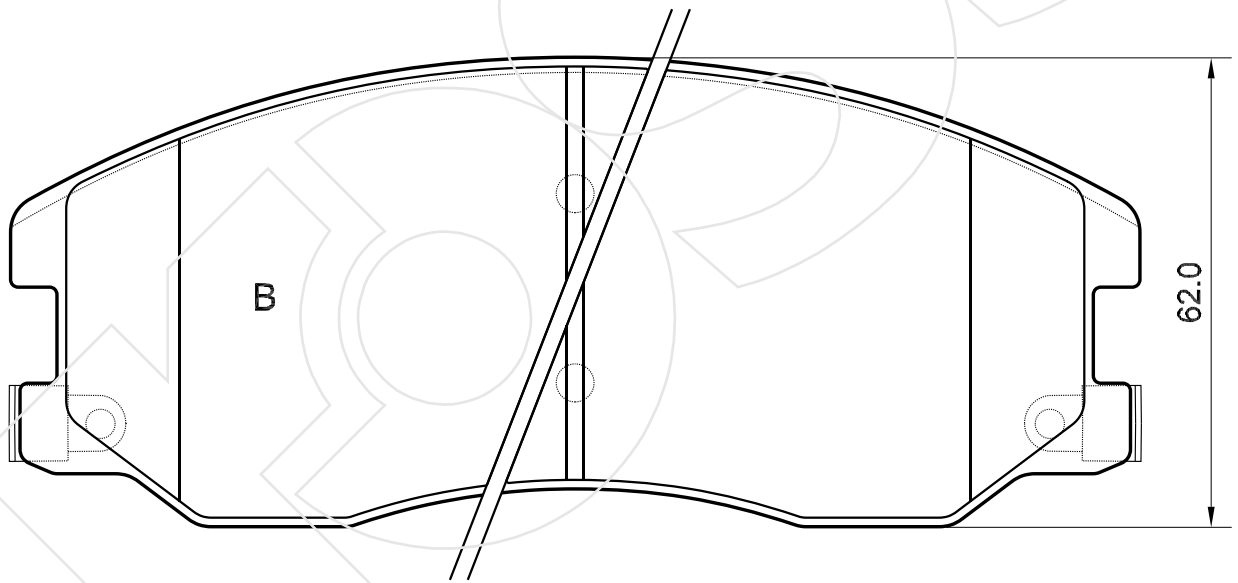
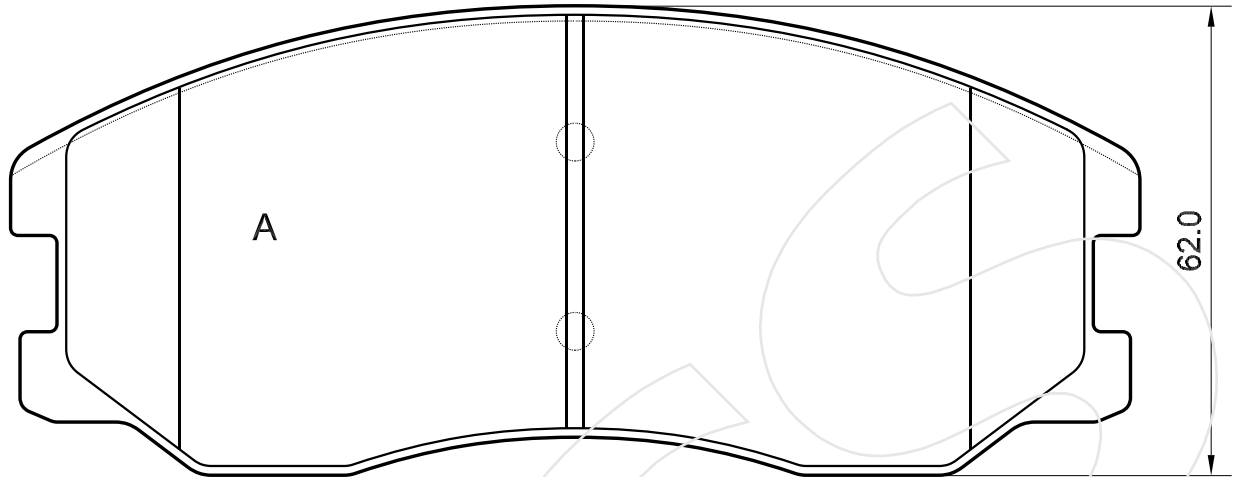
Reference in this Catalogue to other manufactures and to part numbers and other descriptions are for identification purposes only, because the above DISC BRAKE PADS are NOT ORIGINAL but with these interchangeable.

CODICE	IMPIANTO	ASSE	SCALA	APPLICAZIONI
<b>R-1302</b>	BREMBO	POSTERIORE	1:1	VOLKSWAGEN
CODICE COMPONENTI	N°	L(mm)	SERIE	
A028	4	*	4 PEZZI	
*	*	*	*	
*	*	*	*	
*	*	*	*	
CODICE ACCESSORI	N°	L(mm)	NOTE	
*	*	*	*	
*	*	*	*	
*	*	*	*	
*	*	*	*	



Reference in this Catalogue to other manufactures and to part numbers and other descriptions are for identification purposes only, because the above DISC BRAKE PADS are NOT ORIGINAL but with these interchangeable.

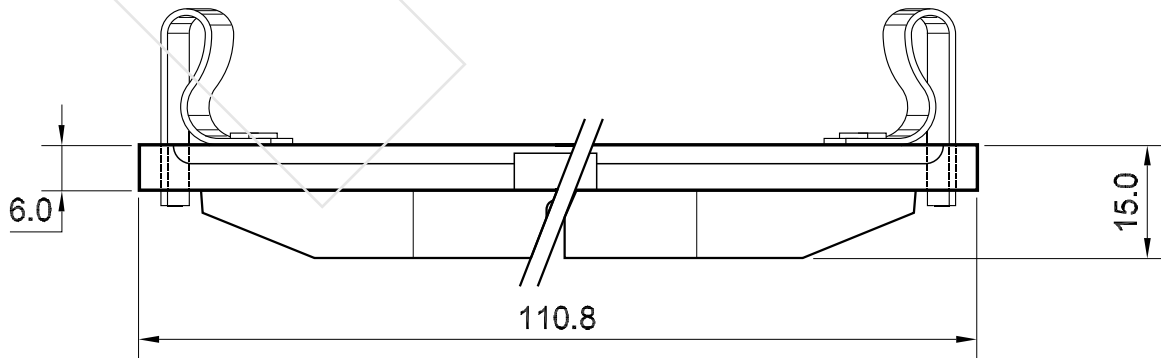
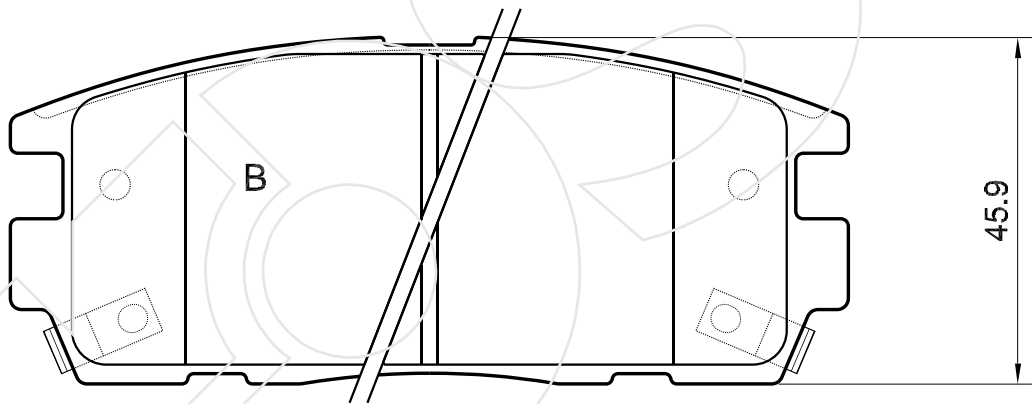
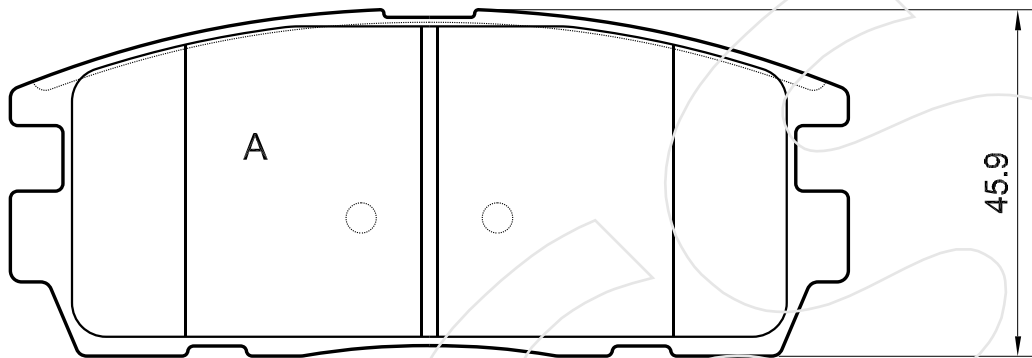
CODICE	IMPIANTO		ASSE	SCALA	APPLICAZIONI
<b>R-1303</b>	AKEBONO		ANTERIORE	1:1	OPEL CHEVROLET
CODICE COMPONENTI	N°	L(mm)	SERIE		
*	*	*	2 PEZZI TIPO A		
M***	2	*	2 PEZZI TIPO B		
*	*	*	*		
*	*	*	*		
CODICE ACCESSORI	N°	L(mm)	NOTE		
*	*	*			
*	*	*			
*	*	*			
*	*	*			



Reference in this Catalogue to other manufactures and to part numbers and other descriptions are for identification purposes only, because the above DISC BRAKE PADS are NOT ORIGINAL but with these interchangeable.

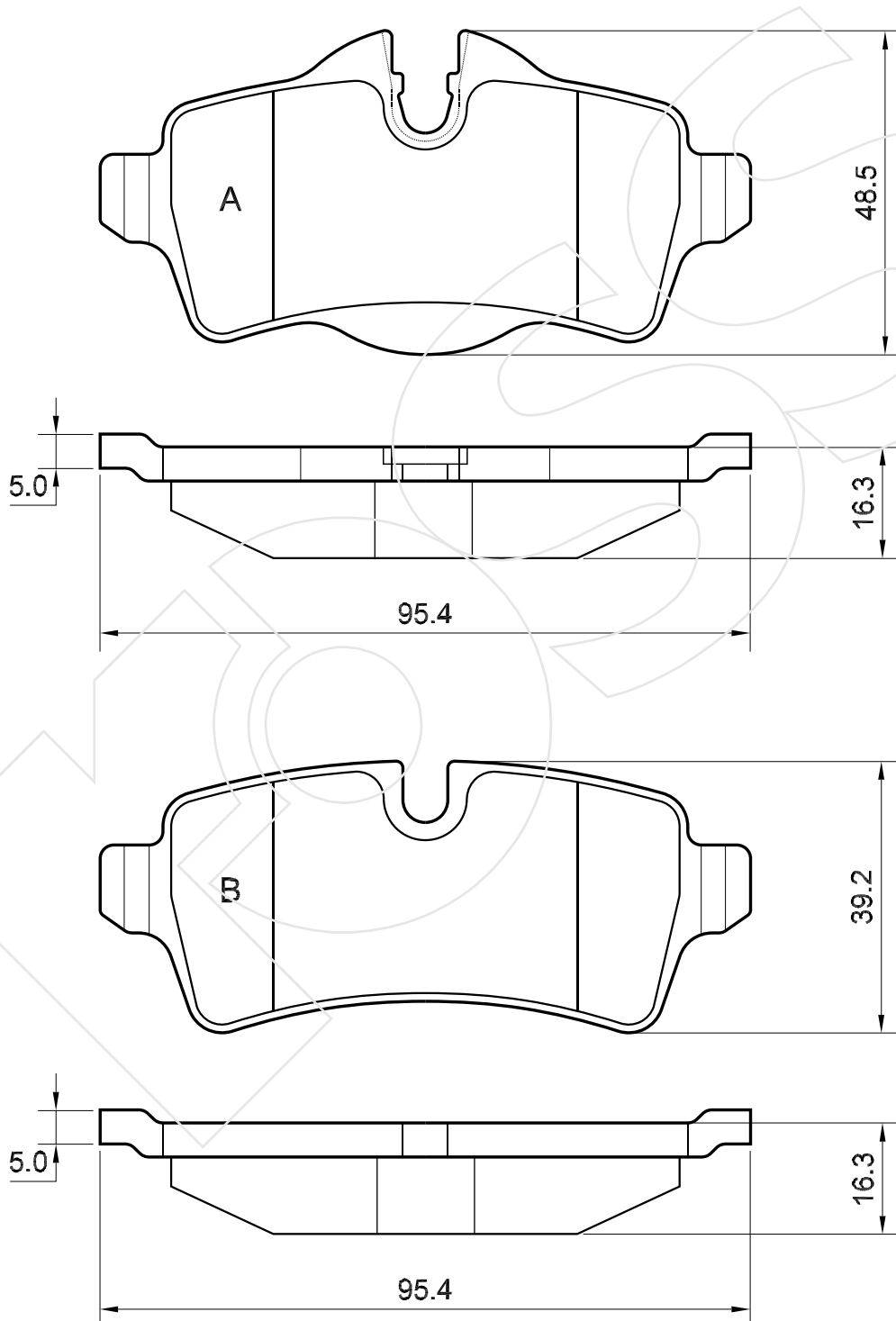


CODICE	IMPIANTO		ASSE	SCALA	APPLICAZIONI
<b>R-1304</b>	AKEBONO		POSTERIORE	1:1	OPEL
CODICE COMPONENTI	N°	L(mm)	SERIE		CHEVROLET
*	*	*	2 PEZZI TIPO A		
M0336	2	*	2 PEZZI TIPO B		
*	*	*	*		
*	*	*	*		
CODICE ACCESSORI	N°	L(mm)	NOTE		
*	*	*			
*	*	*			
*	*	*			
*	*	*			



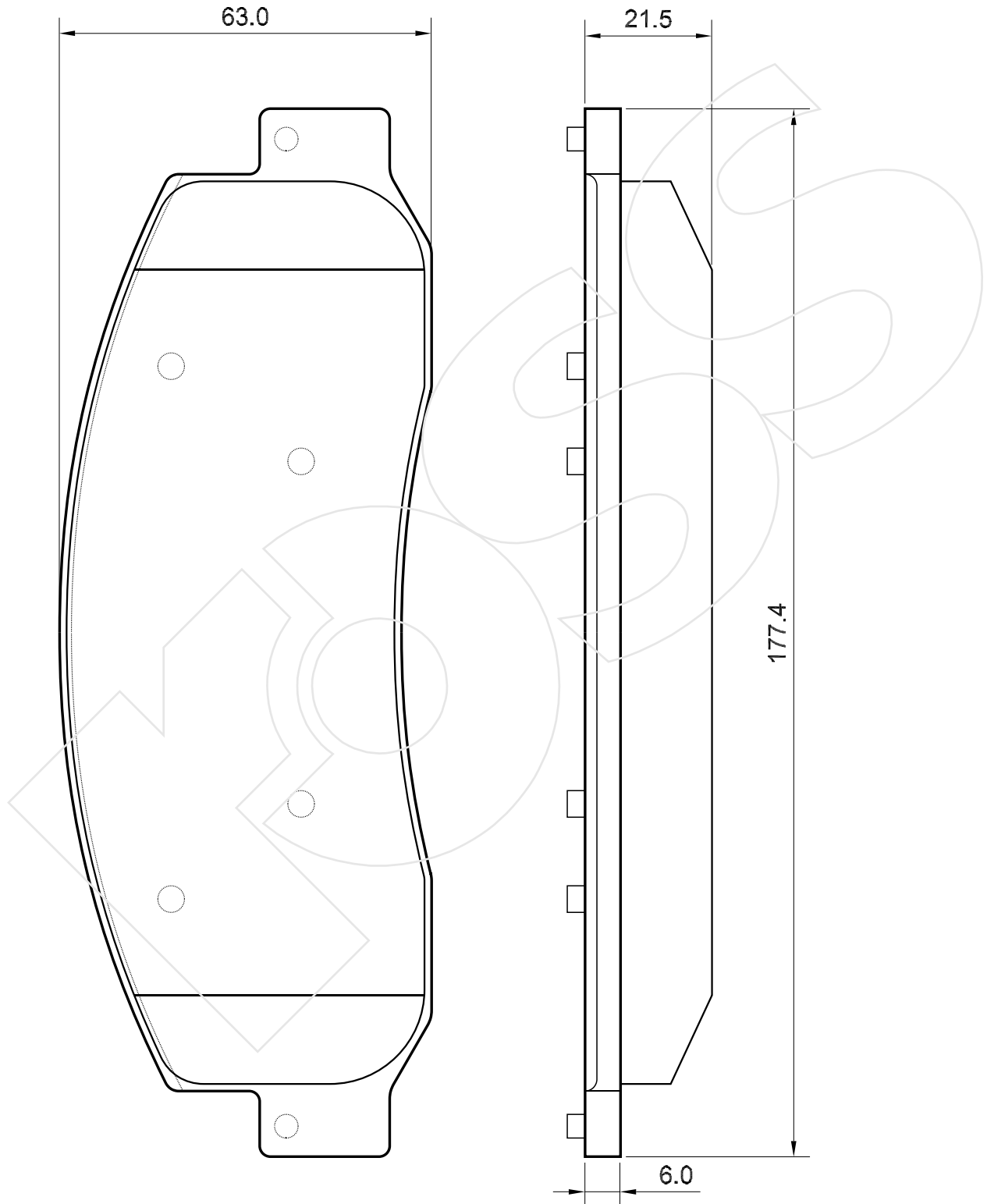
Reference in this Catalogue to other manufactures and to part numbers and other descriptions are for identification purposes only, because the above DISC BRAKE PADS are NOT ORIGINAL but with these interchangeable.

CODICE	IMPIANTO		ASSE	SCALA	APPLICAZIONI
<b>R-1305</b>	LUCAS		POSTERIORE	1:1	MINI (BMW)
CODICE COMPONENTI	N°	L(mm)	SERIE		
*	*	*	2 PEZZI TIPO A		
*	*	*	2 PEZZI TIPO B		
*	*	*	*		
*	*	*	*		
CODICE ACCESSORI	N°	L(mm)	NOTE		
*	*	*			
*	*	*			
*	*	*			
*	*	*			



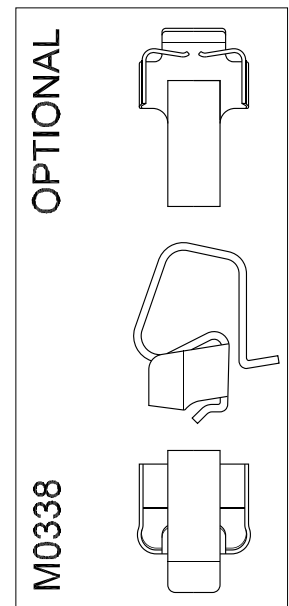
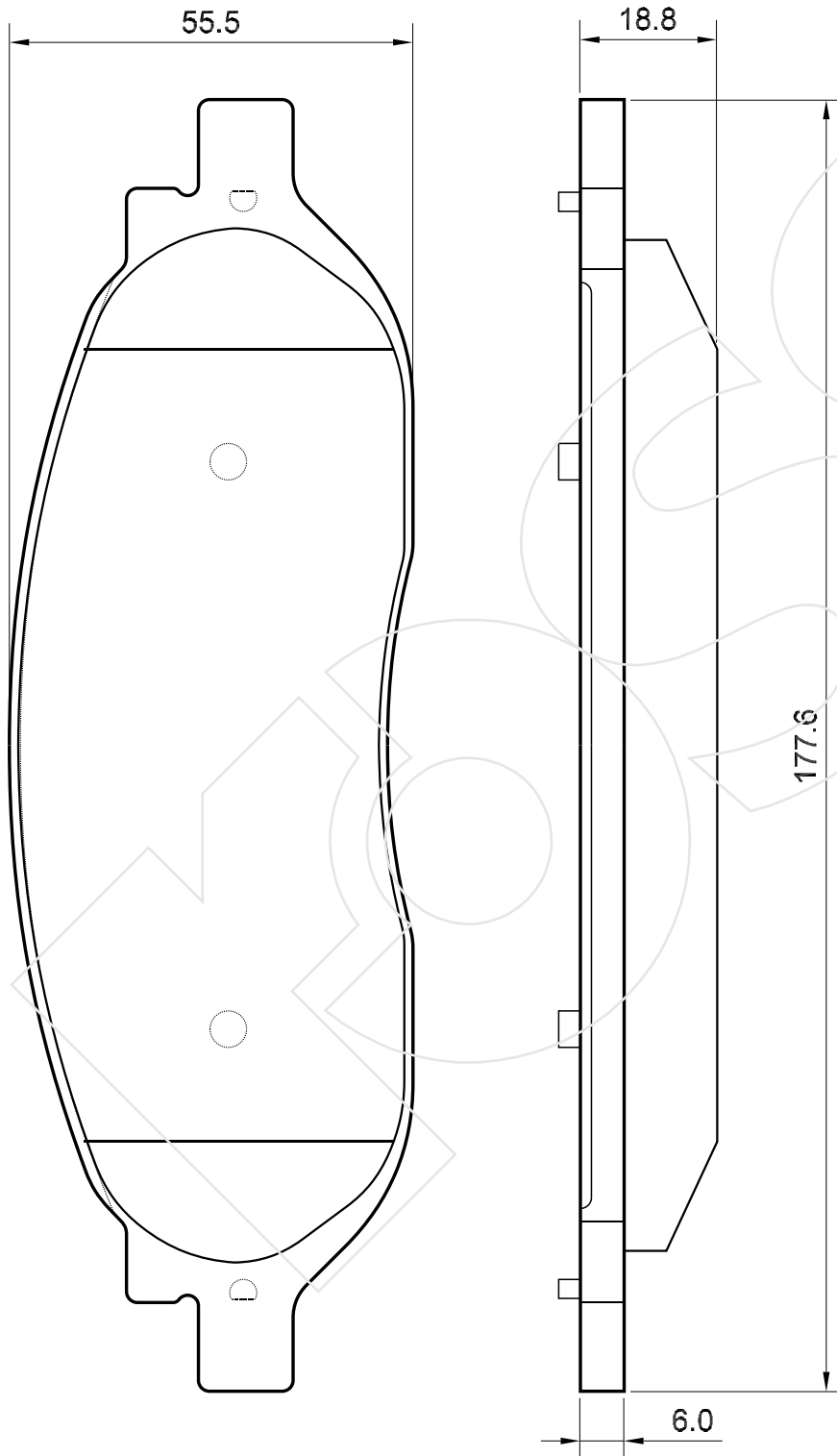
Reference in this Catalogue to other manufactures and to part numbers and other descriptions are for identification purposes only, because the above DISC BRAKE PADS are NOT ORIGINAL but with these interchangeable.

CODICE	IMPIANTO		ASSE	SCALA	APPLICAZIONI
<b>R-1306</b>	*		ANTERIORE	1:1	FORD
CODICE COMPONENTI	N°	L(mm)	SERIE		
*	*	*	4 PEZZI		
*	*	*			
*	*	*			
*	*	*			
CODICE ACCESSORI	N°	L(mm)	NOTE		
*	*	*			
*	*	*			
*	*	*			
*	*	*			



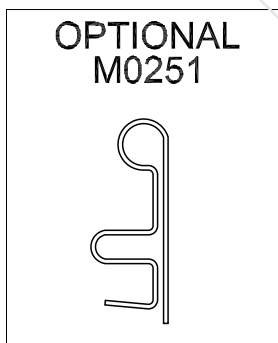
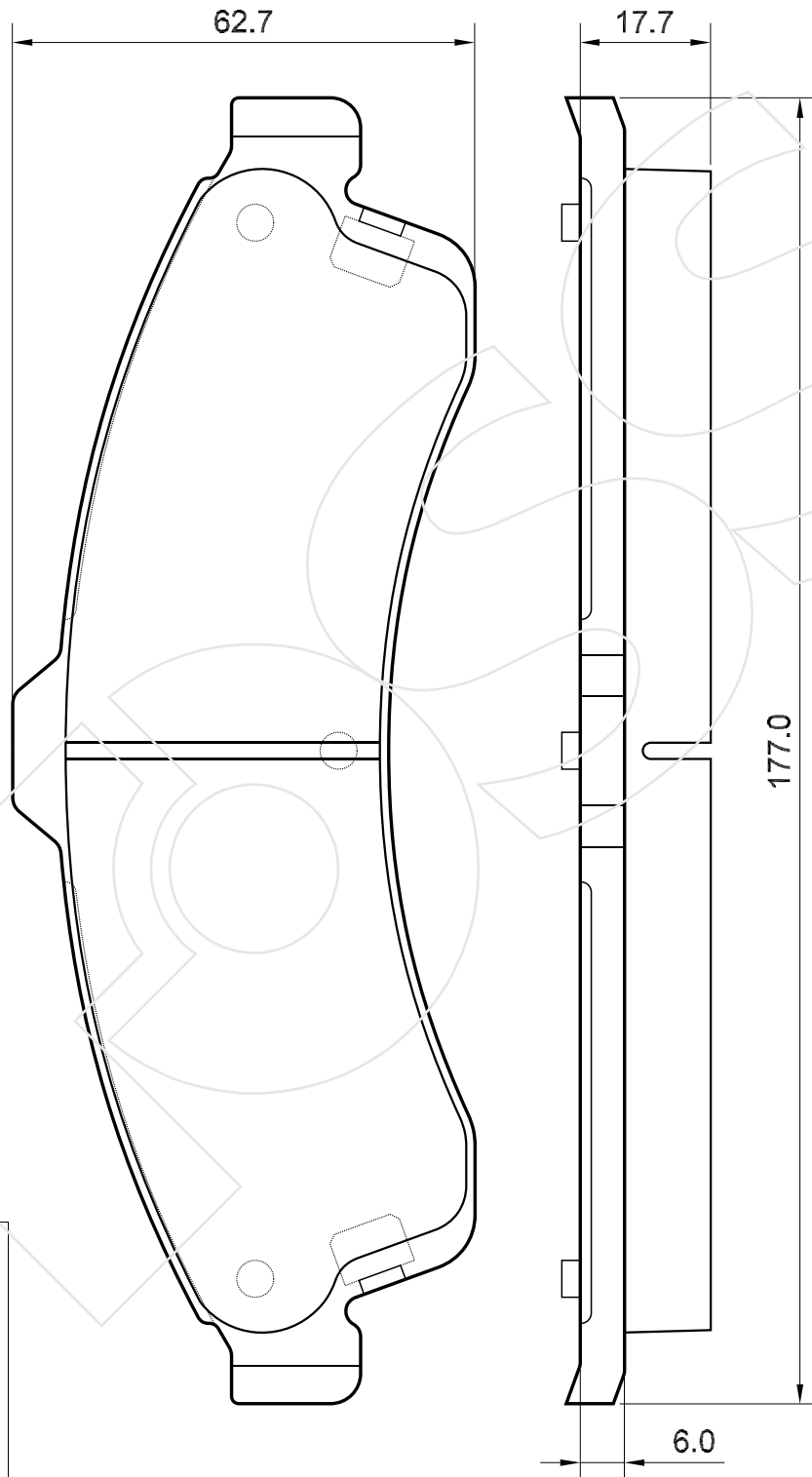
Reference in this Catalogue to other manufactures and to part numbers and other descriptions are for identification purposes only, because the above DISC BRAKE PADS are NOT ORIGINAL but with these interchangeable.

CODICE	IMPIANTO		ASSE	SCALA	APPLICAZIONI
<b>R-1307</b>	*		POSTERIORE	1:1	FORD
CODICE COMPONENTI	N°	L(mm)	SERIE		
*	*	*	4 PEZZI		
*	*	*			
*	*	*			
*	*	*			
CODICE ACCESSORI	N°	L(mm)	NOTE		
M0338	8	*			
*	*	*			
*	*	*			
*	*	*			



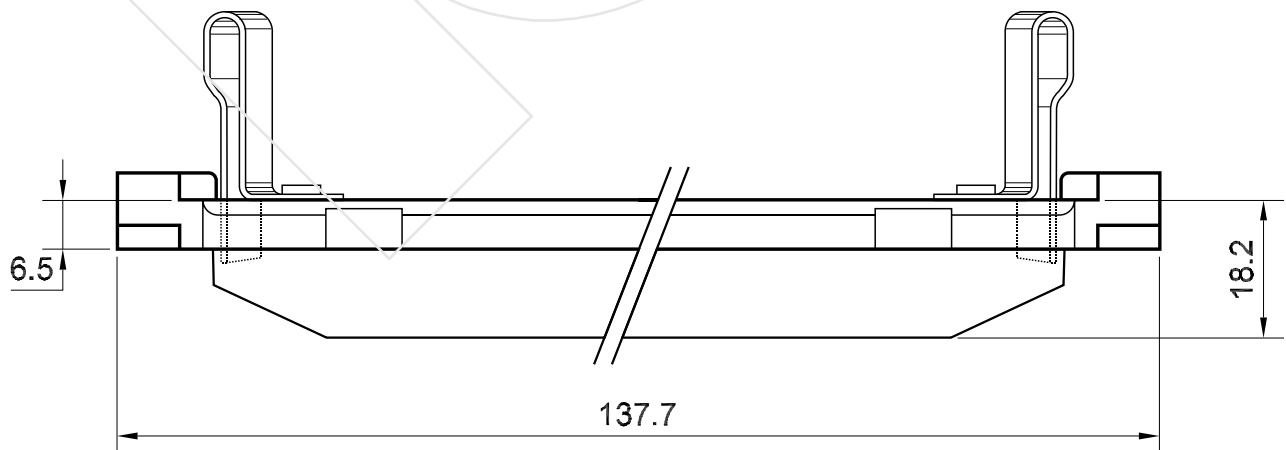
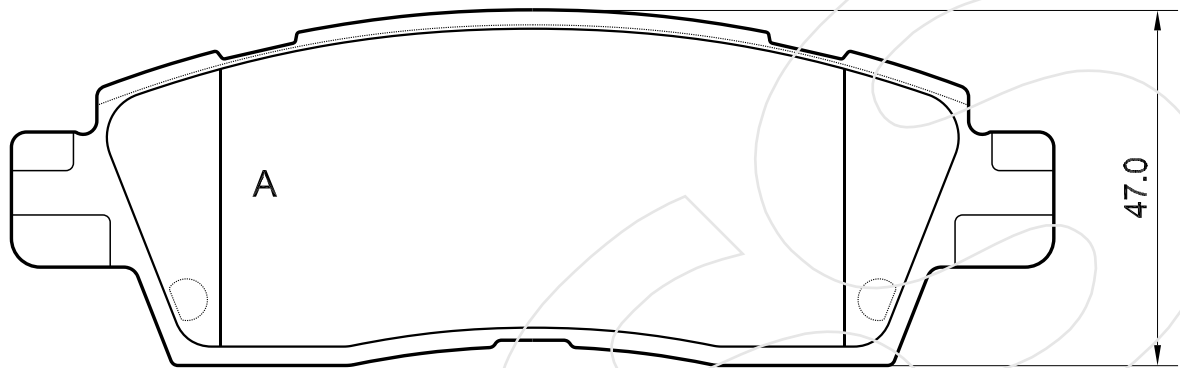
Reference in this Catalogue to other manufactures and to part numbers and other descriptions are for identification purposes only, because the above DISC BRAKE PADS are NOT ORIGINAL but with these interchangeable.

CODICE	IMPIANTO		ASSE	SCALA	APPLICAZIONI
<b>R-1308</b>	*		ANTERIORE	1:1	CHEVROLET
CODICE COMPONENTI	N°	L(mm)	SERIE		
*	*	*	4 PEZZI		
*	*	*			
*	*	*			
*	*	*			
CODICE ACCESSORI	N°	L(mm)	NOTE		
M0251	2	*			
*	*	*			
*	*	*			
*	*	*			



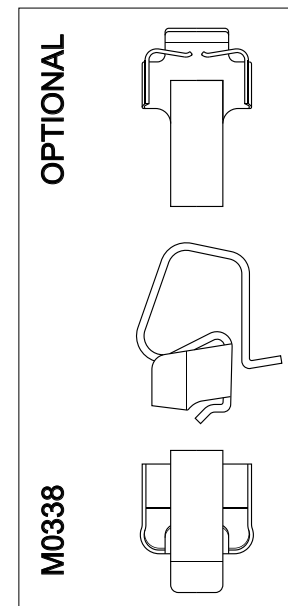
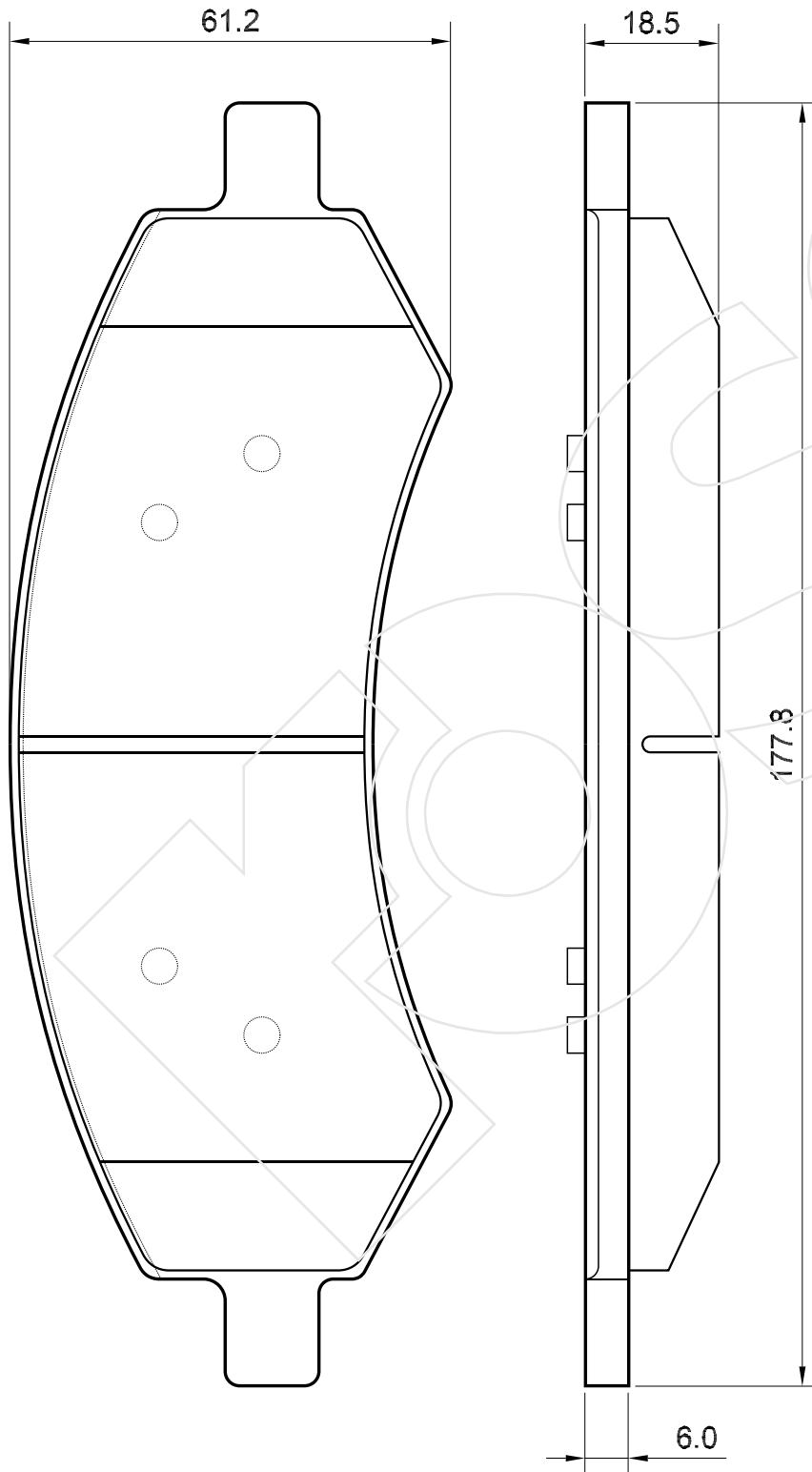
Reference in this Catalogue to other manufactures and to part numbers and other descriptions are for identification purposes only, because the above DISC BRAKE PADS are NOT ORIGINAL but with these interchangeable.

CODICE	IMPIANTO		ASSE	SCALA	APPLICAZIONI
<b>R-1309</b>	*		POSTERIORE	1:1	CHEVROLET
CODICE COMPONENTI	N°	L(mm)	SERIE		
*	*	*	2 PEZZI TIPO A		
M0337	2	*	2 PEZZI TIPO B		
*	*	*	*		
*	*	*	*		
CODICE ACCESSORI	N°	L(mm)	NOTE		
*	*	*			
*	*	*			
*	*	*			
*	*	*			



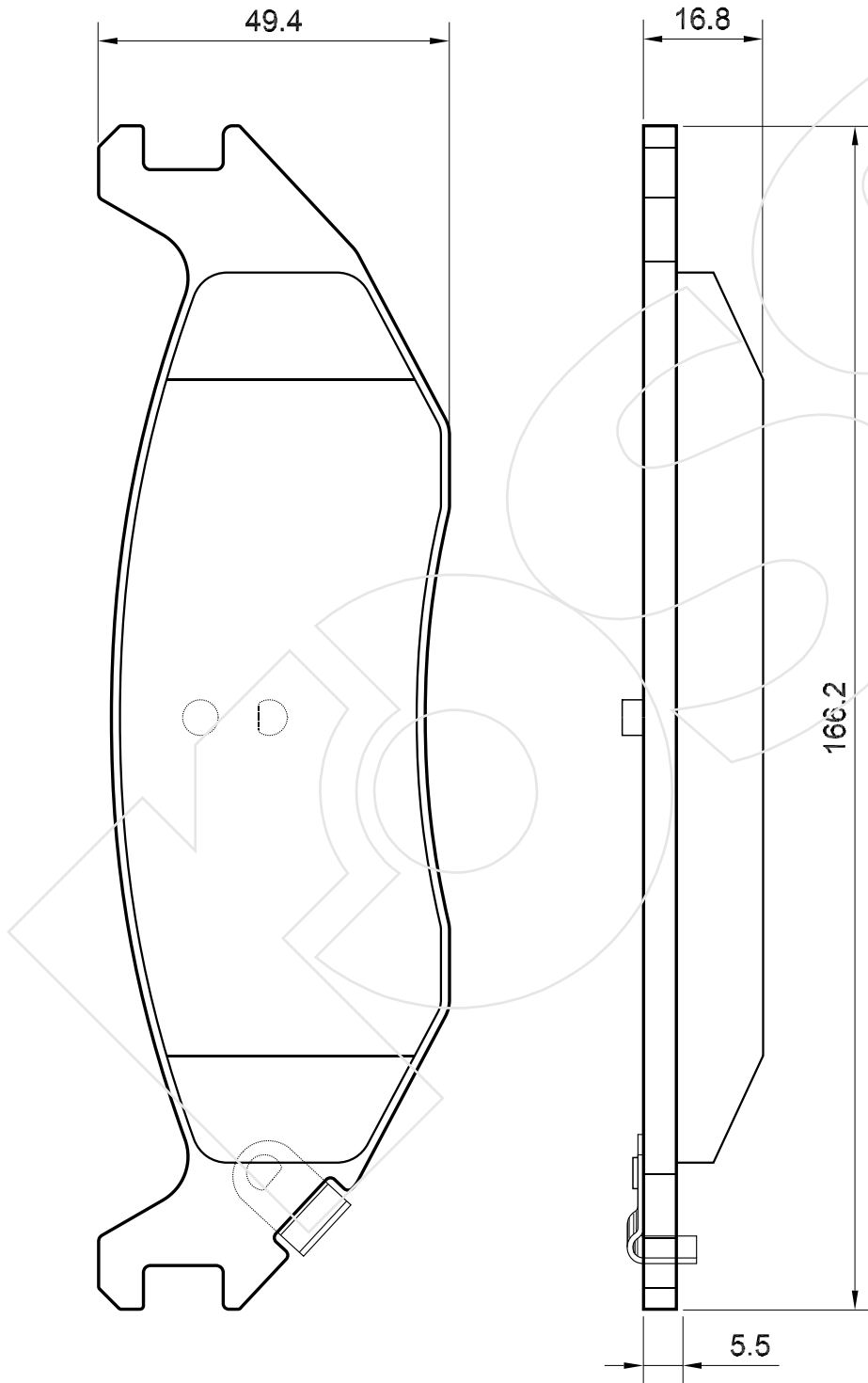
Reference in this Catalogue to other manufactures and to part numbers and other descriptions are for identification purposes only, because the above DISC BRAKE PADS are NOT ORIGINAL but with these interchangeable.

CODICE	IMPIANTO		ASSE	SCALA	APPLICAZIONI
<b>R-1310</b>	*		ANTERIORE	1:1	DODGE
CODICE COMPONENTI	N°	L(mm)	SERIE		
*	*	*	4 PEZZI		
*	*	*	*		
*	*	*	*		
*	*	*	*		
CODICE ACCESSORI	N°	L(mm)	NOTE		
M0338	8	*			
*	*	*			
*	*	*			



Reference in this Catalogue to other manufactures and to part numbers and other descriptions are for identification purposes only, because the above DISC BRAKE PADS are NOT ORIGINAL but with these interchangeable.

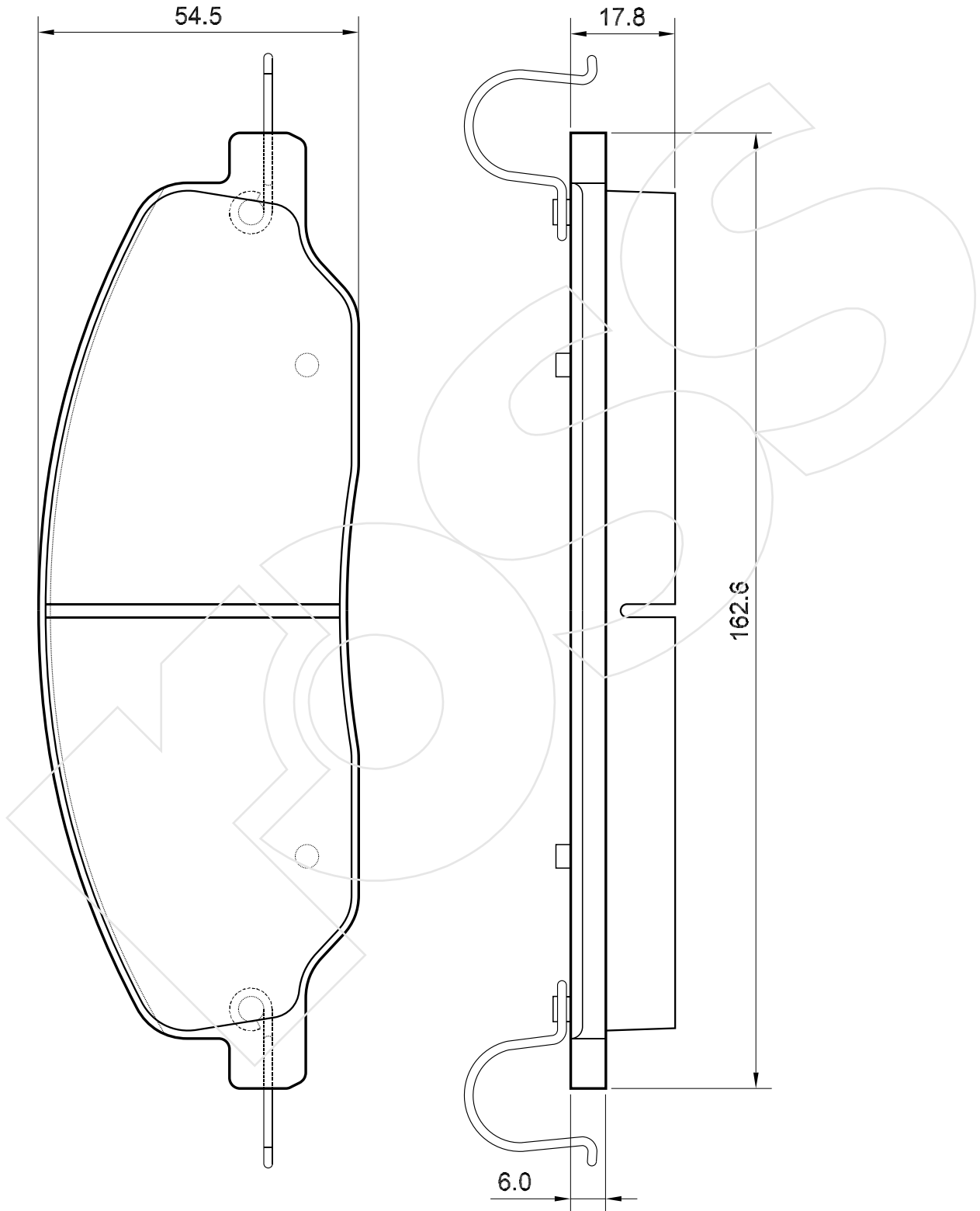
CODICE	IMPIANTO		ASSE	SCALA	APPLICAZIONI
<b>R-1311</b>	*		POSTERIORE	1:1	DODGE
CODICE COMPONENTI	N°	L(mm)	SERIE		
M0339	4	*	4 PEZZI		
*	*	*	*		
*	*	*	*		
*	*	*	*		
CODICE ACCESSORI	N°	L(mm)	NOTE		
*	*	*			
*	*	*			
*	*	*			
*	*	*			



Reference in this Catalogue to other manufactures and to part numbers and other descriptions are for identification purposes only, because the above DISC BRAKE PADS are NOT ORIGINAL but with these interchangeable.

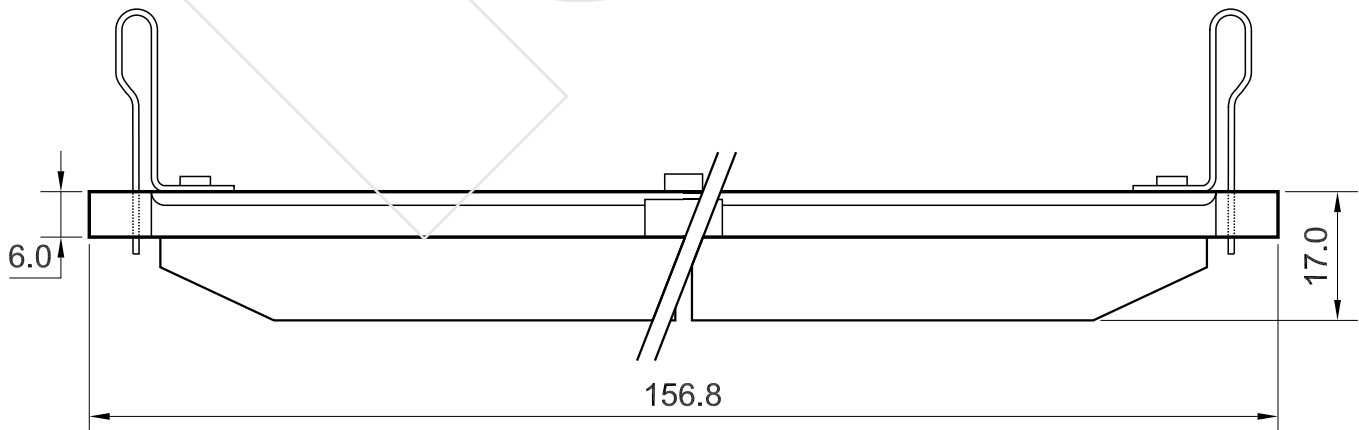
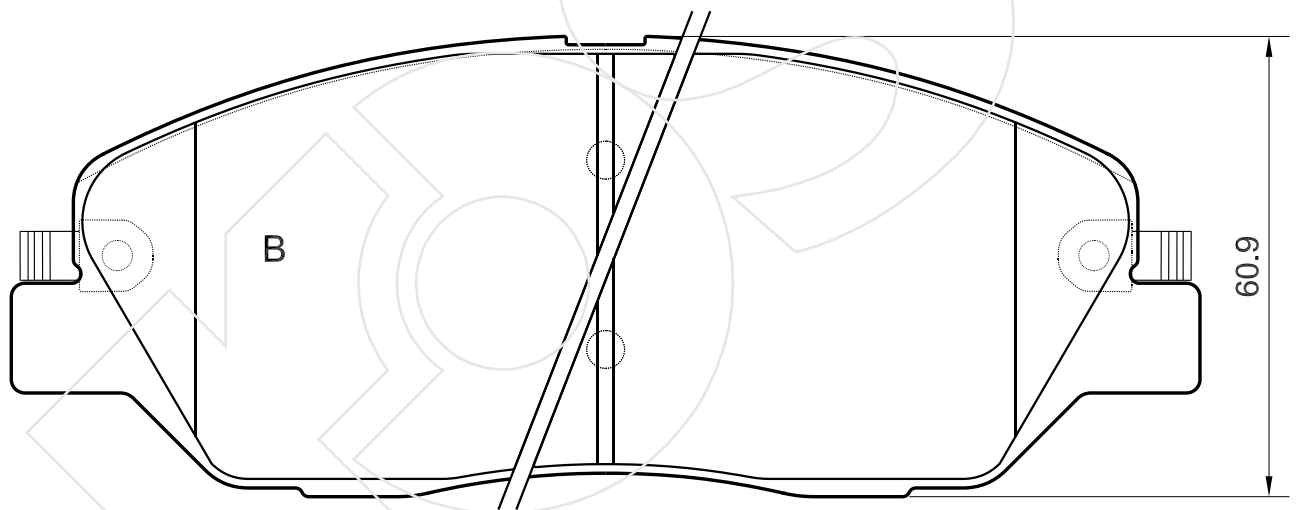
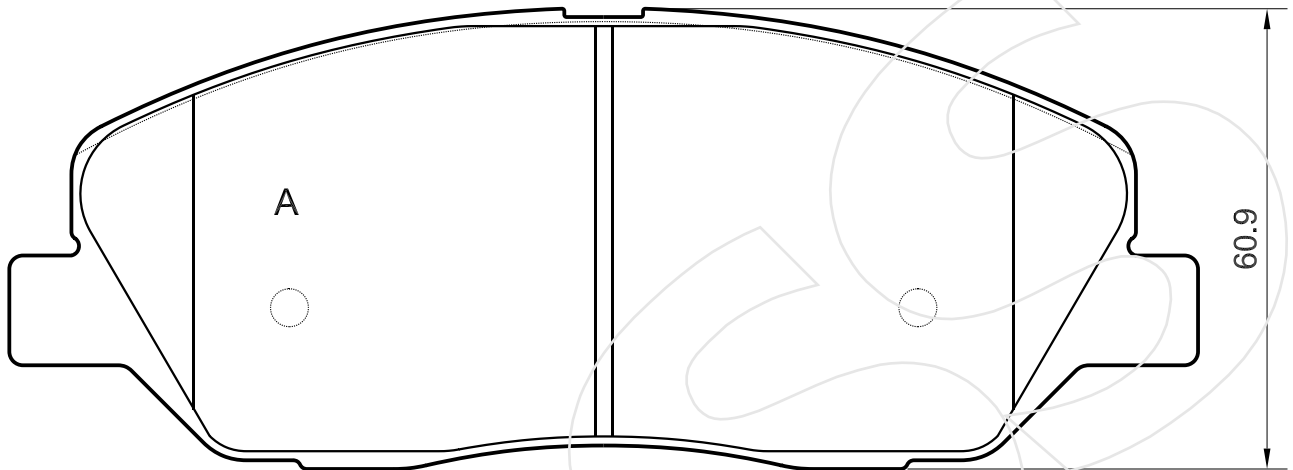


CODICE	IMPIANTO		ASSE	SCALA	APPLICAZIONI
<b>R-1312</b>	*		ANTERIORE	1:1	FORD (USA)
CODICE COMPONENTI	N°	L(mm)	SERIE		
M0340	8	*	4 PEZZI		
*	*	*	*		
*	*	*	*		
*	*	*	*		
CODICE ACCESSORI	N°	L(mm)	NOTE		
*	*	*			
*	*	*			
*	*	*			
*	*	*			



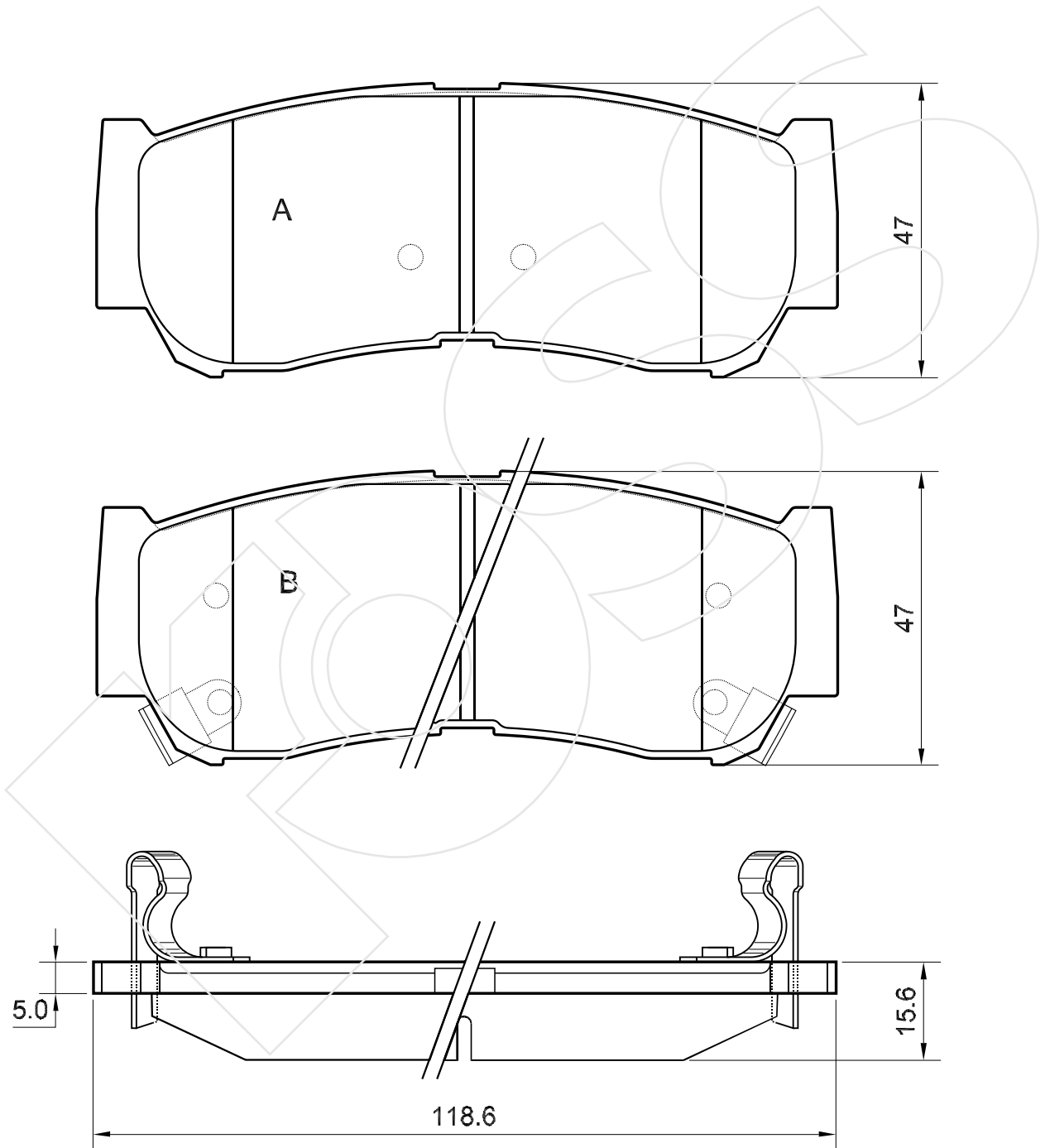
Reference in this Catalogue to other manufactures and to part numbers and other descriptions are for identification purposes only, because the above DISC BRAKE PADS are NOT ORIGINAL but with these interchangeable.

CODICE	IMPIANTO		ASSE	SCALA	APPLICAZIONI
<b>R-1313</b>	MANDO		ANTERIORE	1:1	KIA HYUNDAI
CODICE COMPONENTI	N°	L(mm)	SERIE		
*	*	*	2 PEZZI TIPO A		
M0341	2	*	2 PEZZI TIPO B		
*	*	*	*		
*	*	*	*		
*	*	*	*		
CODICE ACCESSORI	N°	L(mm)	NOTE		
*	*	*			
*	*	*			
*	*	*			
*	*	*			



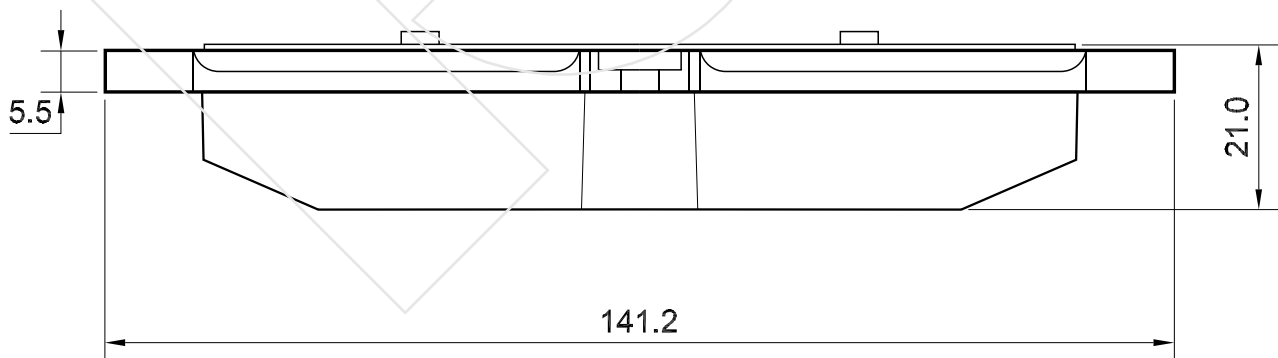
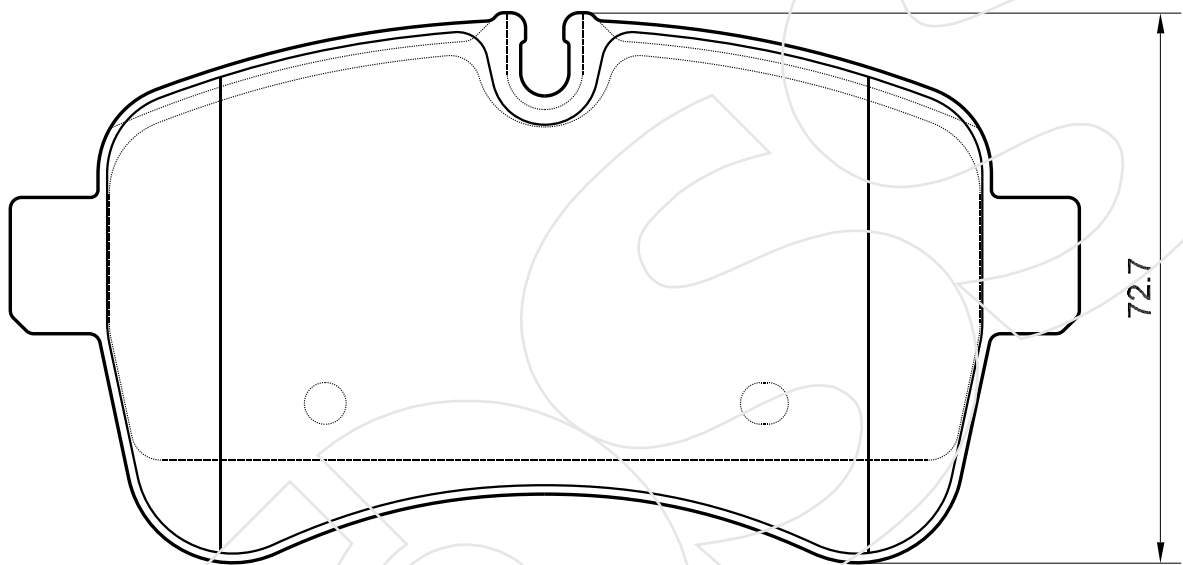
Reference in this Catalogue to other manufactures and to part numbers and other descriptions are for identification purposes only, because the above DISC BRAKE PADS are NOT ORIGINAL but with these interchangeable.

CODICE	IMPIANTO		ASSE	SCALA	APPLICAZIONI
<b>R-1314</b>	MANDO		POSTERIORE	1:1	HYUNDAI
CODICE COMPONENTI	N°	L(mm)	SERIE		
*	*	*	2 PEZZI TIPO A		
M0074	2	*	2 PEZZI TIPO B		
*	*	*	*		
*	*	*	*		
CODICE ACCESSORI	N°	L(mm)	NOTE		
*	*	*			
*	*	*			
*	*	*			
*	*	*			



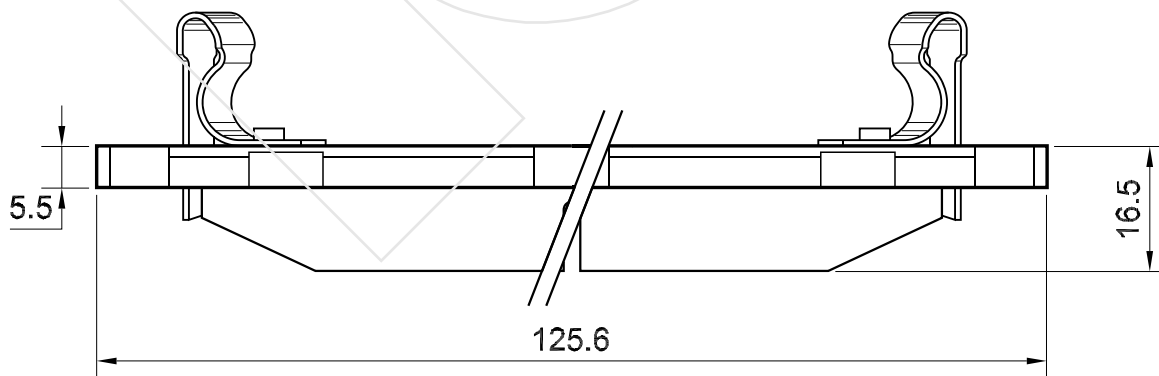
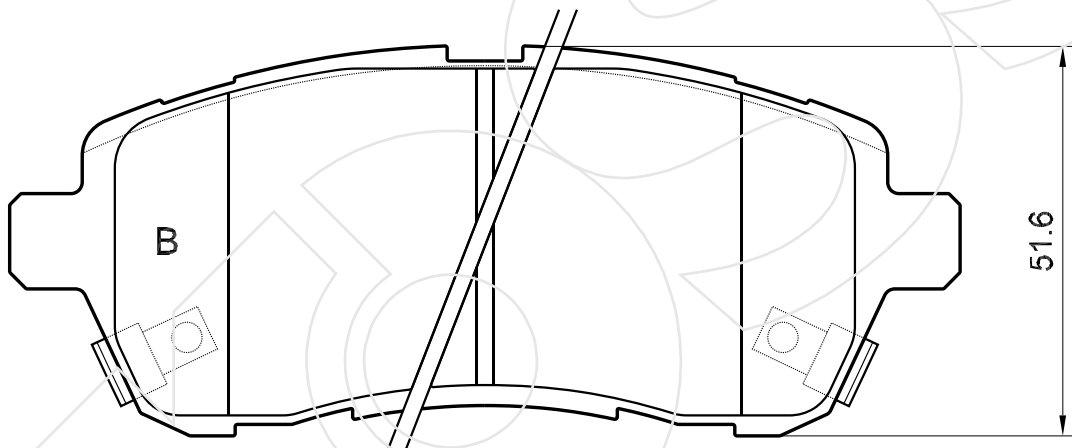
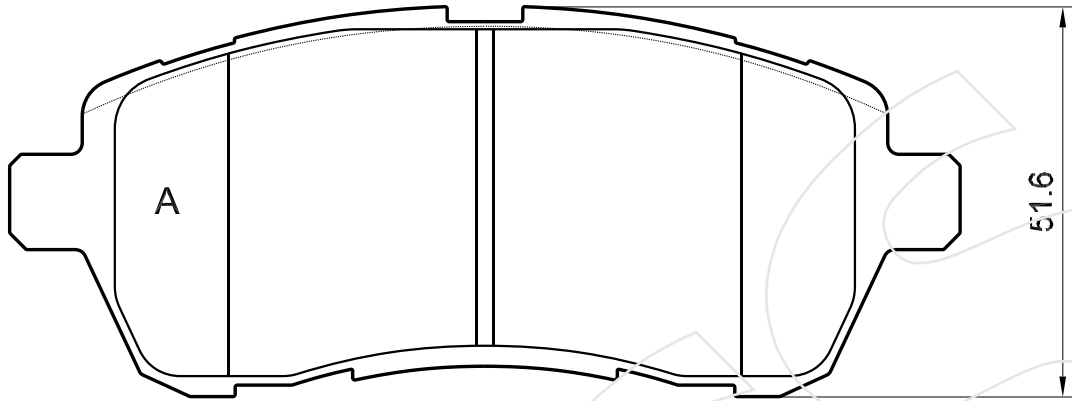
Reference in this Catalogue to other manufactures and to part numbers and other descriptions are for identification purposes only, because the above DISC BRAKE PADS are NOT ORIGINAL but with these interchangeable.

CODICE	IMPIANTO		ASSE	SCALA	APPLICAZIONI
<b>R-1315</b>	BREMBO		POSTERIORE	1:1	IVECO
CODICE COMPONENTI	N°	L(mm)	SERIE		
A029	4	*	4 PEZZI		
*	*	*	*		
*	*	*	*		
*	*	*	*		
CODICE ACCESSORI	N°	L(mm)	NOTE		
*	*	*			
*	*	*			
*	*	*			
*	*	*			



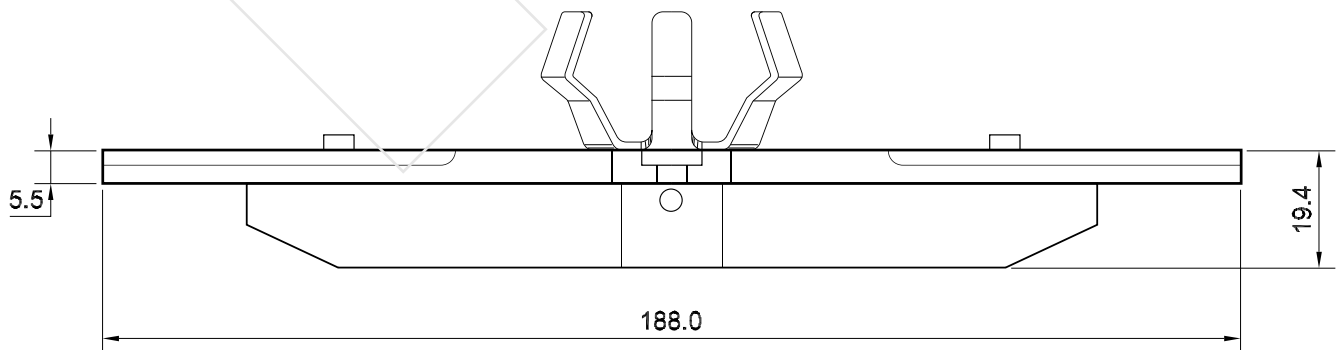
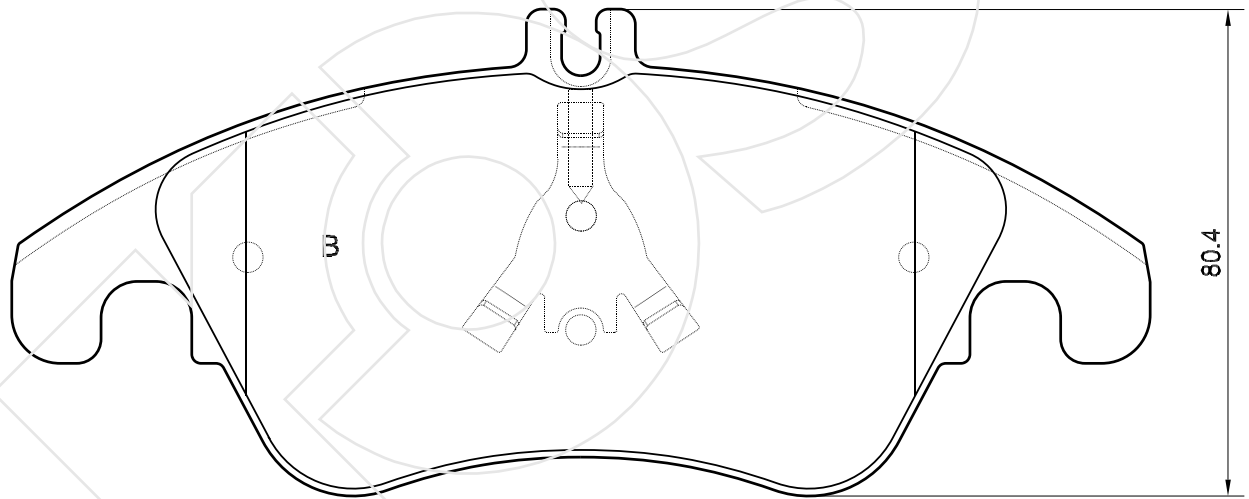
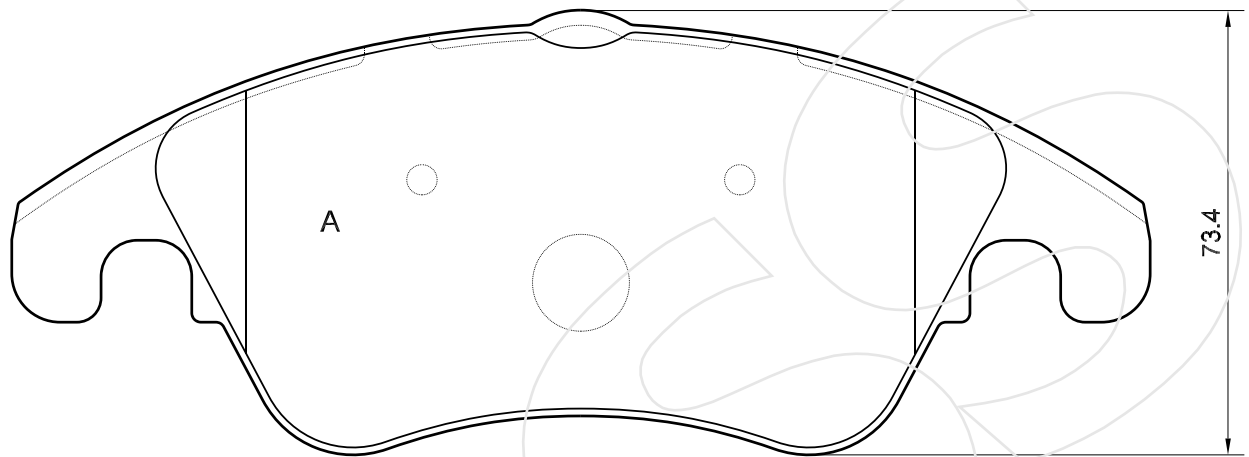
Reference in this Catalogue to other manufactures and to part numbers and other descriptions are for identification purposes only, because the above DISC BRAKE PADS are NOT ORIGINAL but with these interchangeable.

CODICE	IMPIANTO		ASSE	SCALA	APPLICAZIONI
<b>R-1316</b>	LUCAS		ANTERIORE	1:1	MAZDA
CODICE COMPONENTI	N°	L(mm)	SERIE		
*	*	*	2 PEZZI TIPO A		
M0074	2	*	2 PEZZI TIPO B		
*	*	*	*		
*	*	*	*		
CODICE ACCESSORI	N°	L(mm)	NOTE		
*	*	*			
*	*	*			
*	*	*			
*	*	*			



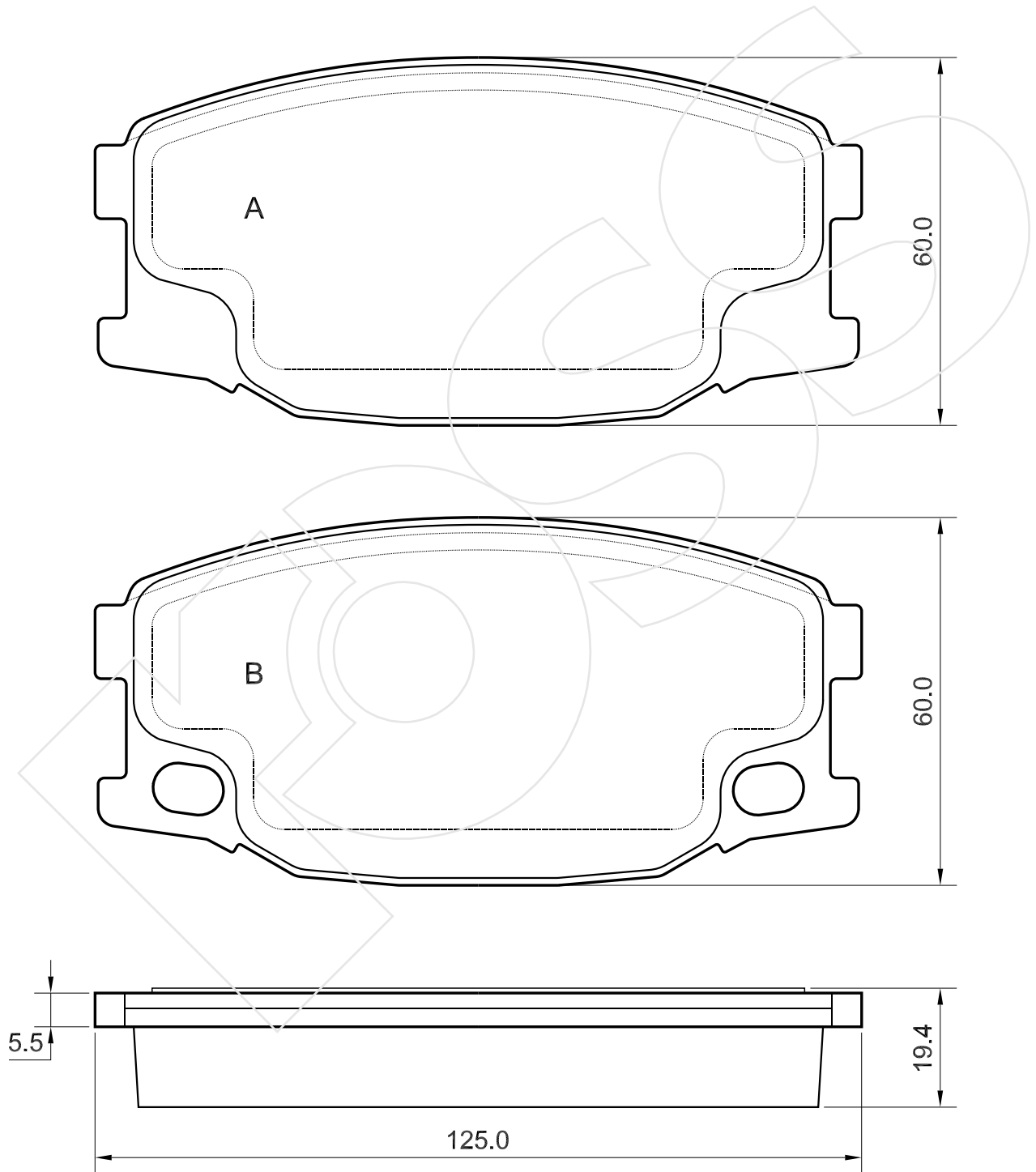
Reference in this Catalogue to other manufactures and to part numbers and other descriptions are for identification purposes only, because the above DISC BRAKE PADS are NOT ORIGINAL but with these interchangeable.

CODICE	IMPIANTO		ASSE	SCALA	APPLICAZIONI
<b>R-1317</b>	LUCAS		ANTERIORE	80%	MERCEDES
CODICE COMPONENTI	N°	L(mm)	SERIE		
*	*	*	2 PEZZI TIPO A		
M0000	2	*	2 PEZZI TIPO B		
*	*	*	*		
*	*	*	*		
CODICE ACCESSORI	N°	L(mm)	NOTE		
*	*	*			
*	*	*			
*	*	*			
*	*	*			



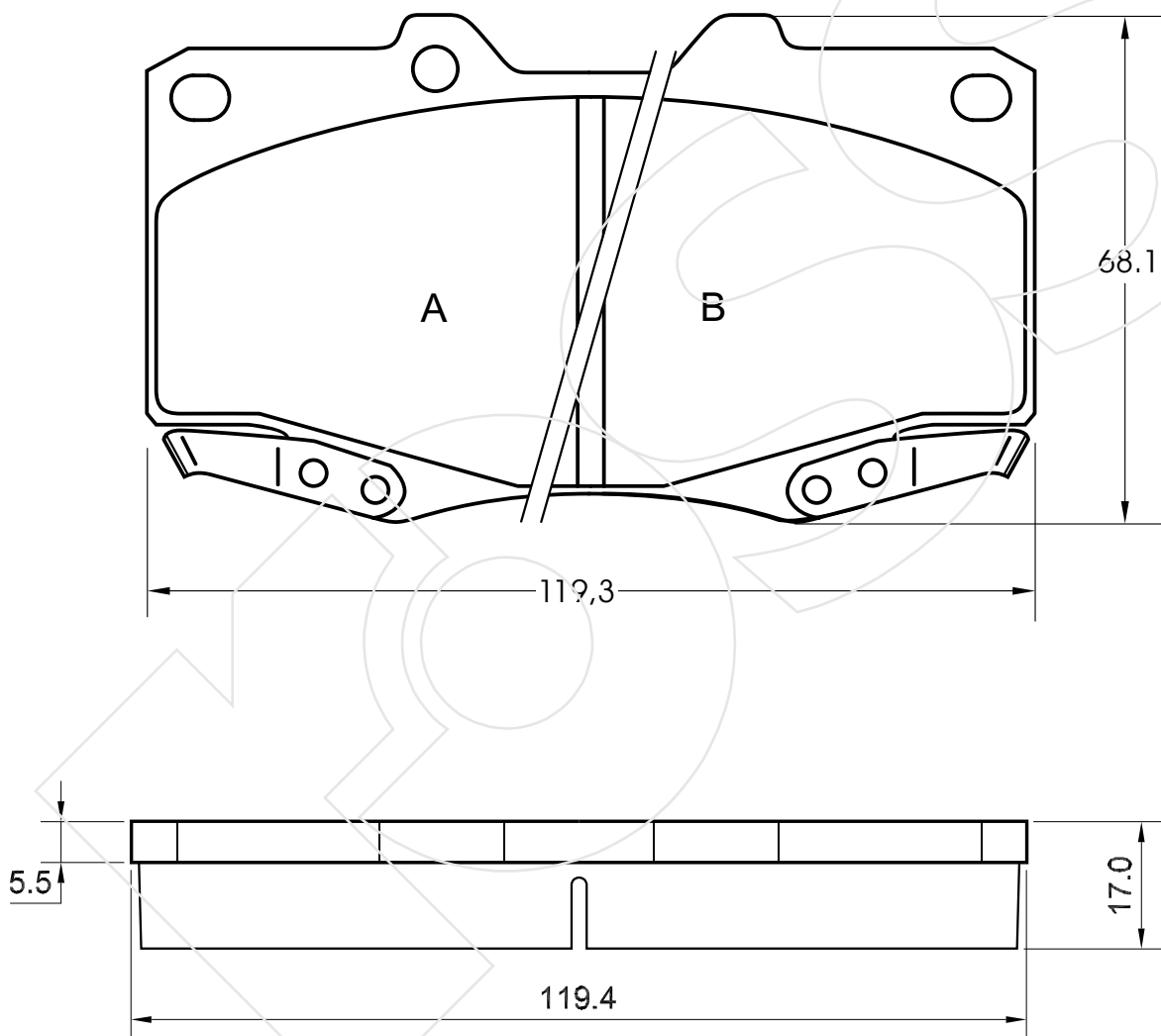
Reference in this Catalogue to other manufactures and to part numbers and other descriptions are for identification purposes only, because the above DISC BRAKE PADS are NOT ORIGINAL but with these interchangeable.

CODICE	IMPIANTO	ASSE	SCALA	APPLICAZIONI
<b>R-1318</b>	SUMITOMO	ANTERIORE	1:1	MITSUBISHI
CODICE COMPONENTI	N°	L(mm)	SERIE	
A0000	6	*	6 PEZZI TIPO A	
A0000	2	*	2 PEZZI TIPO B	
*	*	*	*	
*	*	*	*	
CODICE ACCESSORI	N°	L(mm)	NOTE	
*	*	*		
*	*	*		
*	*	*		
*	*	*		



Reference in this Catalogue to other manufactures and to part numbers and other descriptions are for identification purposes only, because the above DISC BRAKE PADS are NOT ORIGINAL but with these interchangeable.

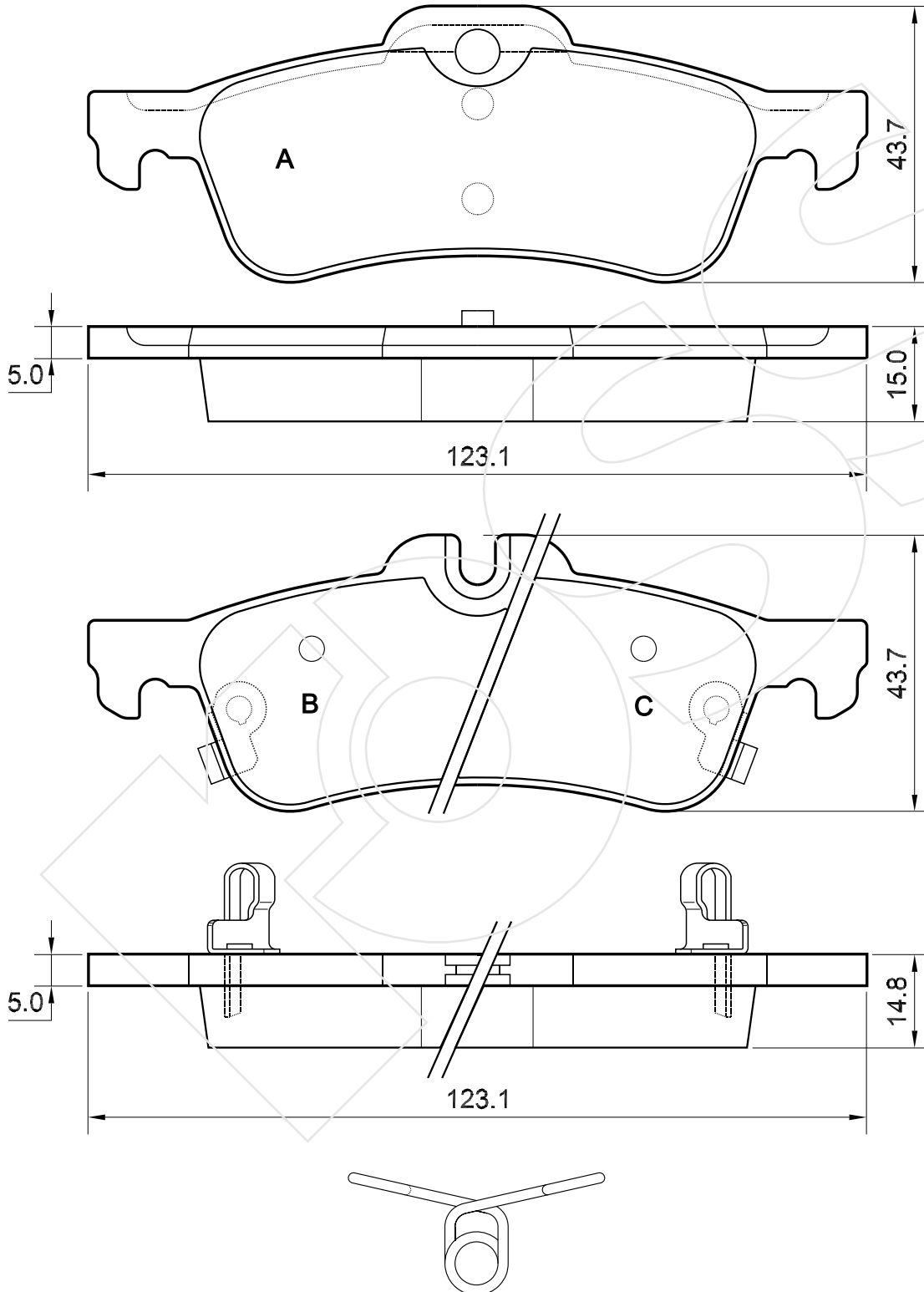
CODICE	IMPIANTO		ASSE	SCALA	APPLICAZIONI
<b>R-1319</b>	SUMITOMO		ANTERIORE	1:1	TOYOTA
CODICE COMPONENTI	N°	L(mm)	SERIE		
M0079	2	*	2 PEZZI TIPO A		
M0080	2	*	2 PEZZI TIPO B		
*	*	*	*		
*	*	*	*		
CODICE ACCESSORI	N°	L(mm)	NOTE		
*	*	*			
*	*	*			
*	*	*			
*	*	*			



Reference in this Catalogue to other manufactures and to part numbers and other descriptions are for identification purposes only, because the above DISC BRAKE PADS are NOT ORIGINAL but with these interchangeable.

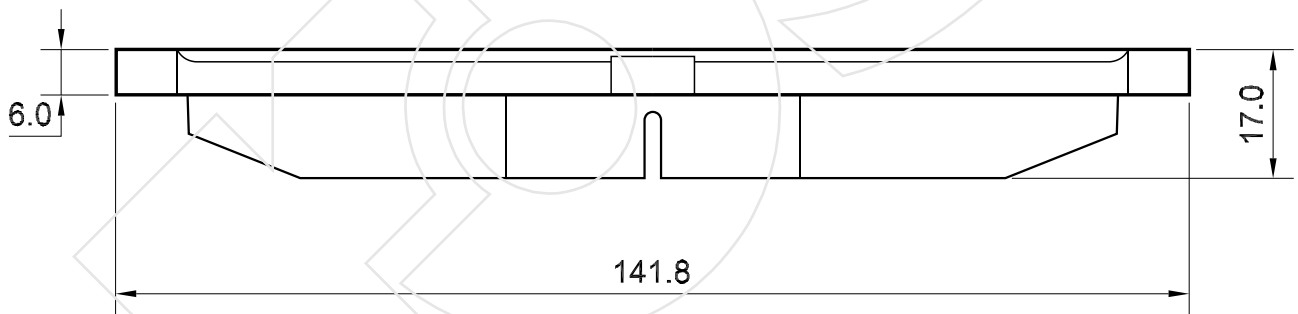
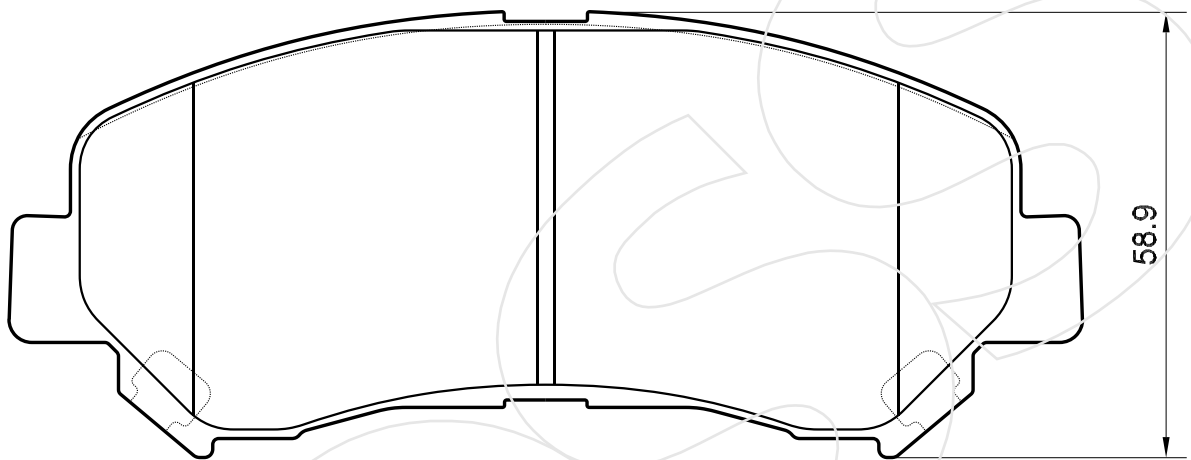


CODICE	IMPIANTO		ASSE	SCALA	APPLICAZIONI
<b>R-1320</b>	ATE		POSTERIORE	1:1	TOYOTA
CODICE COMPONENTI	N°	L(mm)	SERIE		
*	*	*	2 PEZZI TIPO A		
M0312+M0094	1+1	*	1 PEZZO TIPO B		
M0312+M0095	1+1	*	1 PEZZO TIPO C		
*	*	*	*		
CODICE ACCESSORI	N°	L(mm)	NOTE		
*	*	*			
*	*	*			
*	*	*			
*	*	*			



Reference in this Catalogue to other manufactures and to part numbers and other descriptions are for identification purposes only, because the above DISC BRAKE PADS are NOT ORIGINAL but with these interchangeable.

CODICE	IMPIANTO		ASSE	SCALA	APPLICAZIONI
<b>R-1321</b>	AKEBONO		ANTERIORE	1:1	NISSAN
CODICE COMPONENTI	N°	L(mm)	SERIE		
M0251	2	*	4 PEZZI		
*	*	*	*		
*	*	*	*		
*	*	*	*		
*	*	*	*		
CODICE ACCESSORI	N°	L(mm)	NOTE		
*	*	*			
*	*	*			
*	*	*			
*	*	*			

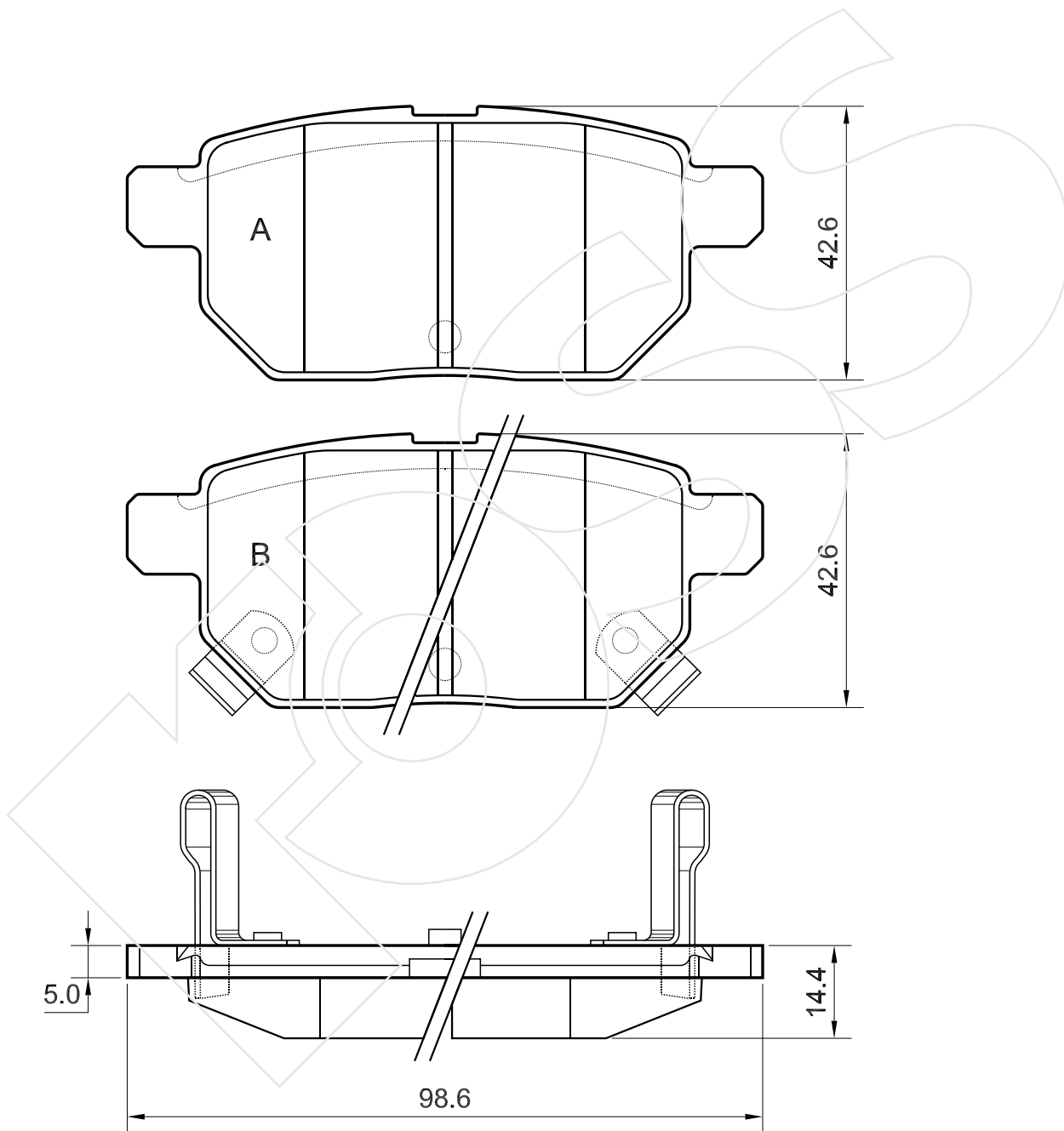


M0251 x 2



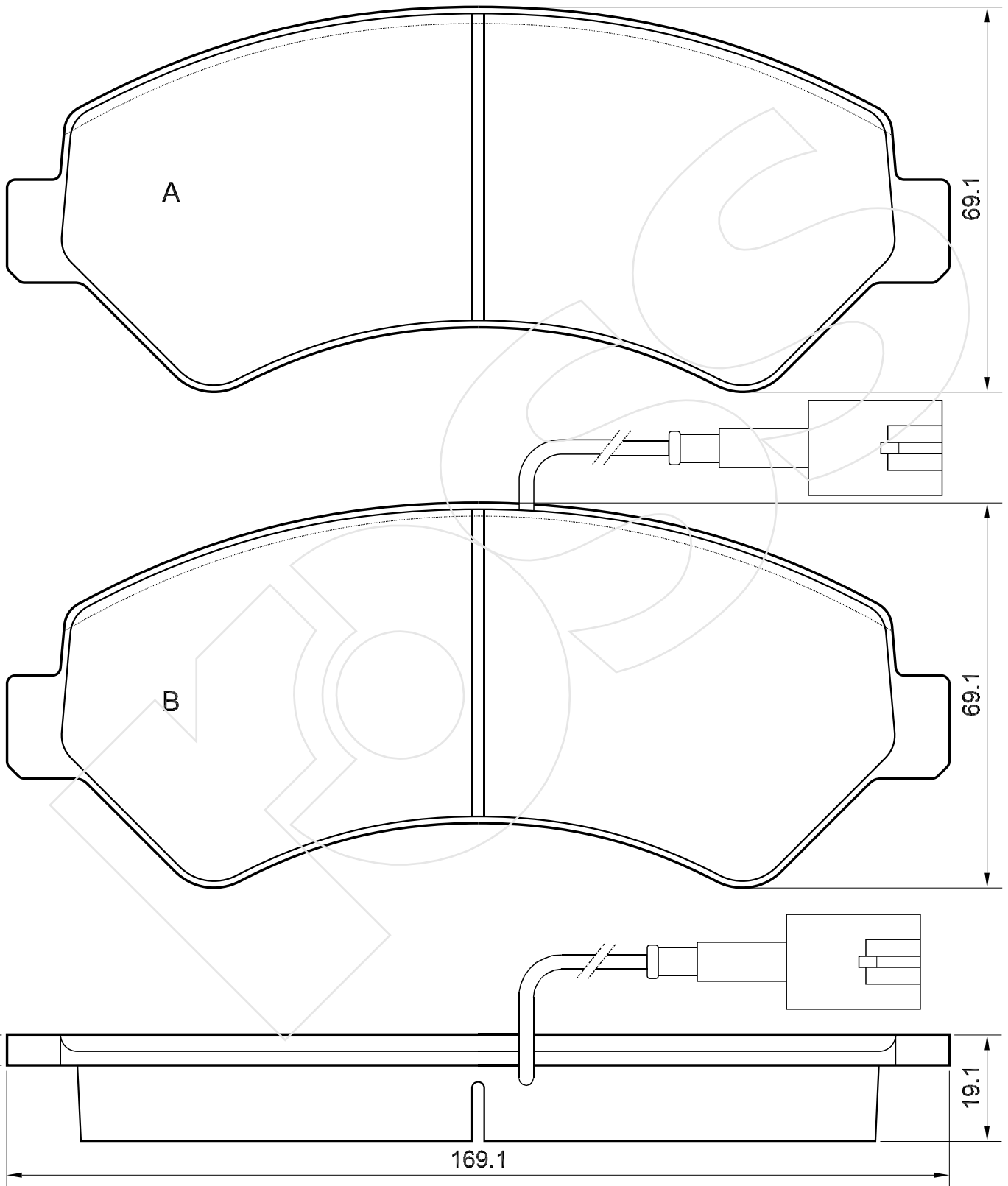
Reference in this Catalogue to other manufactures and to part numbers and other descriptions are for identification purposes only, because the above DISC BRAKE PADS are NOT ORIGINAL but with these interchangeable.

CODICE	IMPIANTO	ASSE	SCALA	APPLICAZIONI
<b>R-1322</b>	AKEBONO	POSTERIORE	1:1	TOYOTA
CODICE COMPONENTI	N°	L(mm)	SERIE	
*	*	*	2 PEZZI TIPO A	
M0036	2	*	2 PEZZI TIPO B	
*	*	*	*	
*	*	*	*	
CODICE ACCESSORI	N°	L(mm)	NOTE	
*	*	*		
*	*	*		
*	*	*		
*	*	*		



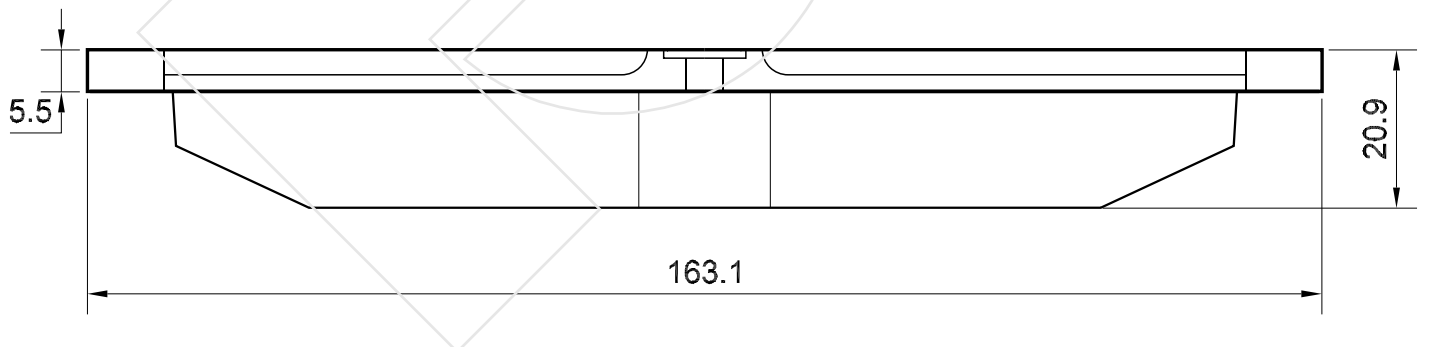
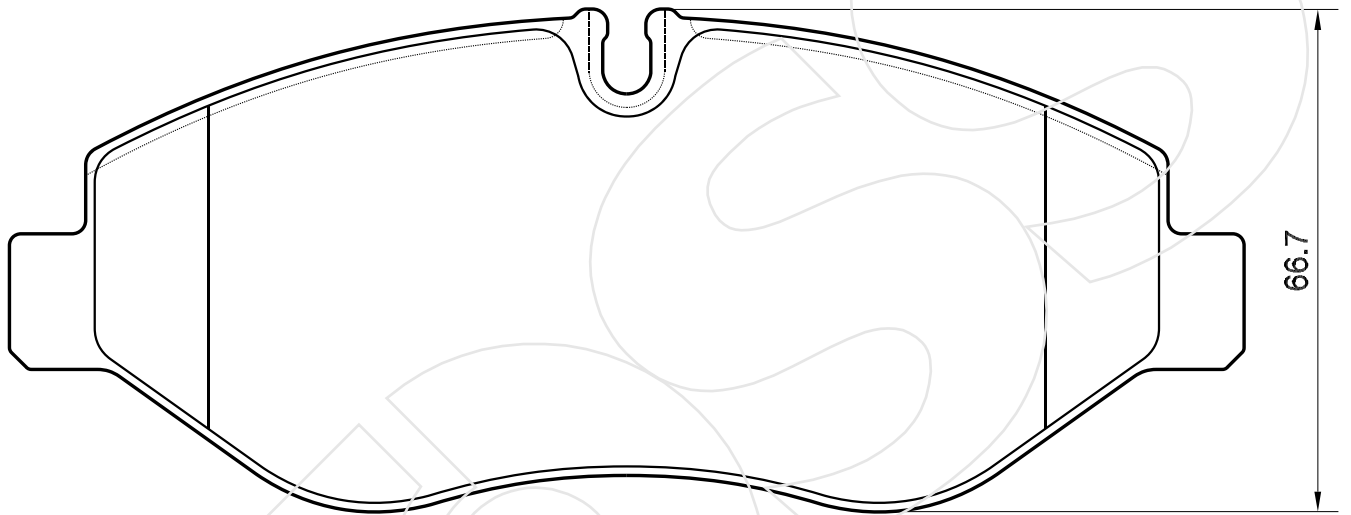
Reference in this Catalogue to other manufactures and to part numbers and other descriptions are for identification purposes only, because the above DISC BRAKE PADS are NOT ORIGINAL but with these interchangeable.

CODICE	IMPIANTO		ASSE	SCALA	APPLICAZIONI
<b>R-1323</b>	BREMBO		ANTERIORE	1:1	FIAT CITROEN PEUGEOT
CODICE COMPONENTI	N°	L(mm)	SERIE		
*	*	*	3 PEZZI TIPO A		
F3019	1	190	1 PEZZO TIPO B		
*	*	*	*		
*	*	*	*		
CODICE ACCESSORI	N°	L(mm)	NOTE		
*	*	*			
*	*	*			
*	*	*			
*	*	*			



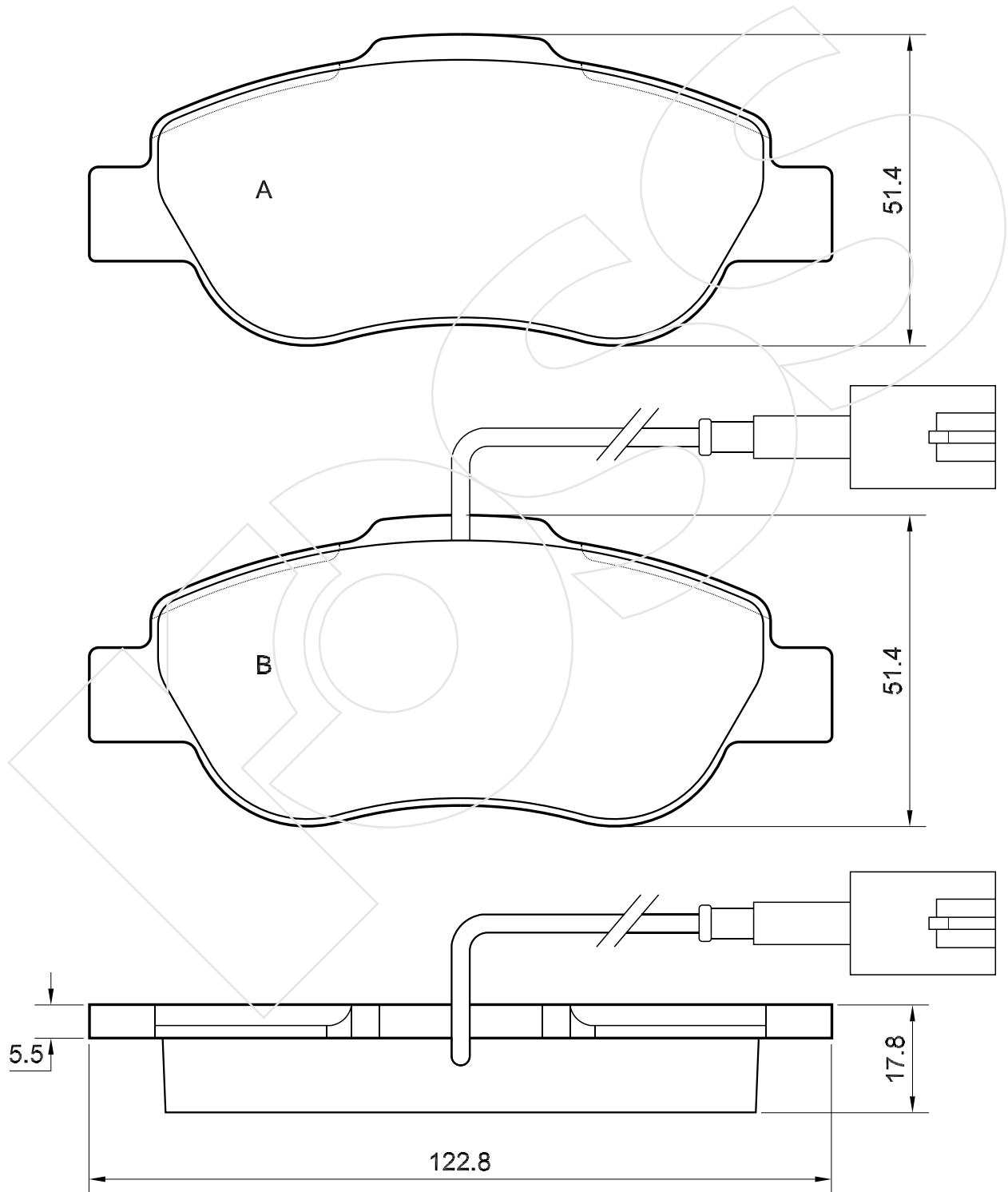
Reference in this Catalogue to other manufactures and to part numbers and other descriptions are for identification purposes only, because the above DISC BRAKE PADS are NOT ORIGINAL but with these interchangeable.

CODICE	IMPIANTO		ASSE	SCALA	APPLICAZIONI
<b>R-1324</b>	BREMBO		ANTERIORE	1:1	IVECO
CODICE COMPONENTI	N°	L(mm)	SERIE		
*	*	*	4 PEZZI		
*	*	*			
*	*	*			
*	*	*			
CODICE ACCESSORI	N°	L(mm)	NOTE		
*	*	*			
*	*	*			
*	*	*			
*	*	*			



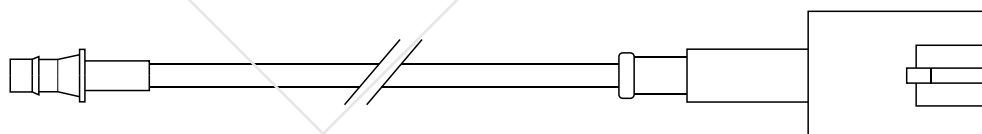
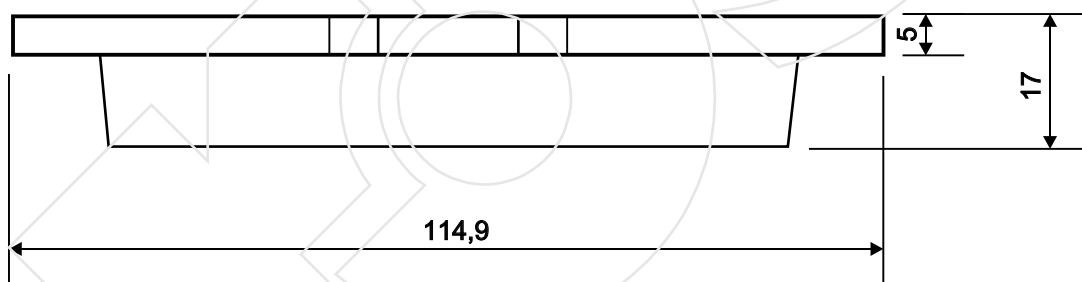
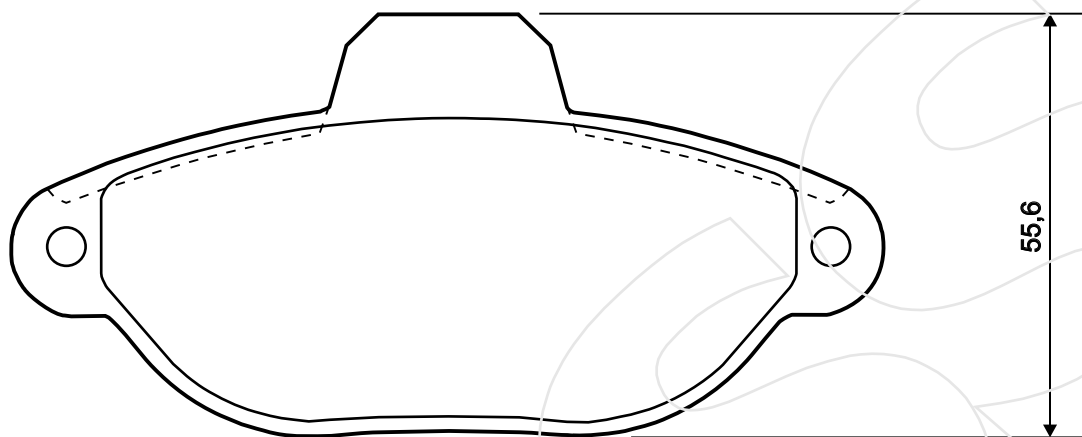
Reference in this Catalogue to other manufactures and to part numbers and other descriptions are for identification purposes only, because the above DISC BRAKE PADS are NOT ORIGINAL but with these interchangeable.

CODICE	IMPIANTO		ASSE	SCALA	APPLICAZIONI
<b>R-1325</b>	BOSCH		ANTERIORE	1:1	FIAT
CODICE COMPONENTI	N°	L(mm)	SERIE		
*	*	*	3 PEZZI TIPO A		
F3019	1	190	1 PEZZO TIPO B		
*	*	*	*		
*	*	*	*		
CODICE ACCESSORI	N°	L(mm)	NOTE		
*	*	*			
*	*	*			
*	*	*			
*	*	*			



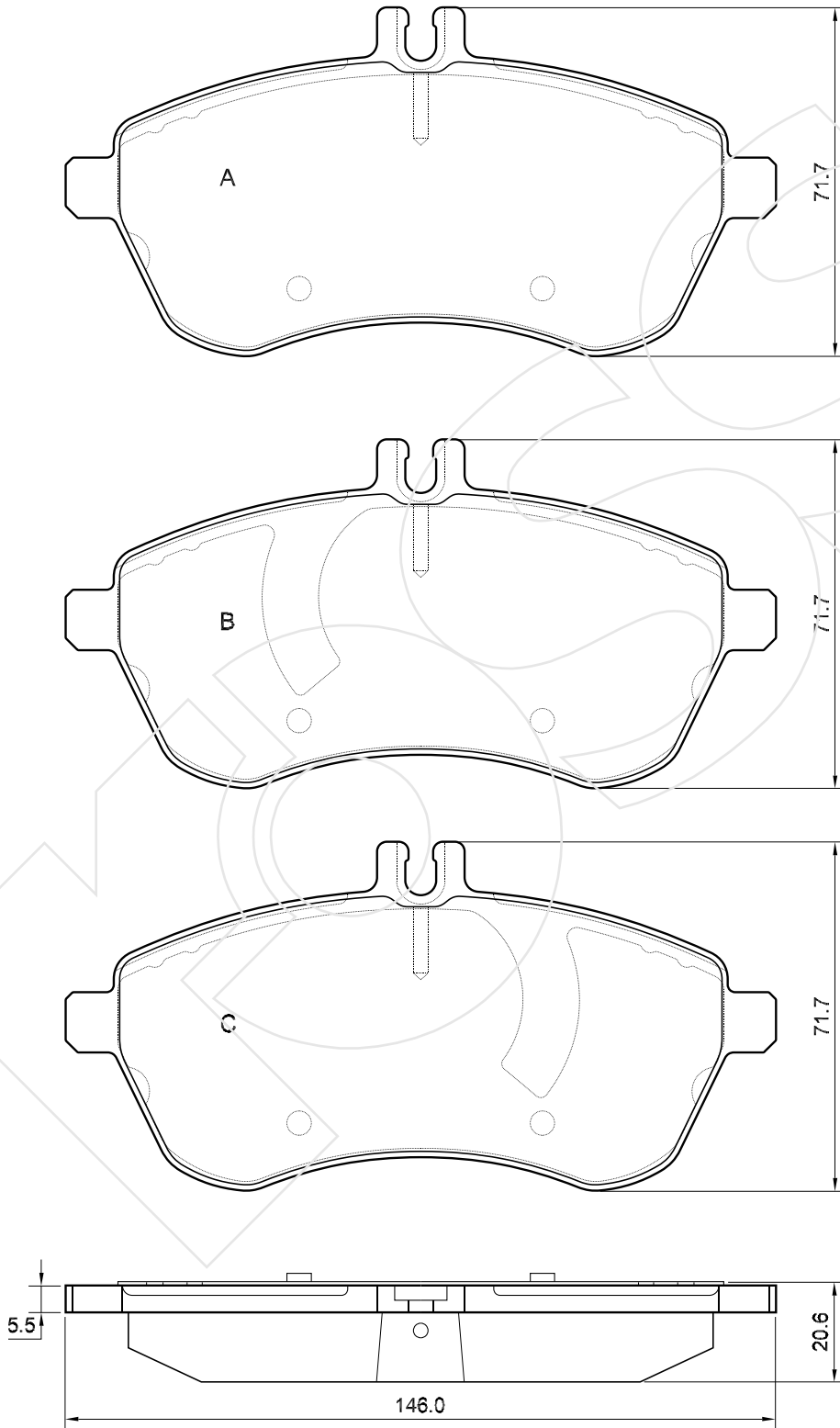
Reference in this Catalogue to other manufactures and to part numbers and other descriptions are for identification purposes only, because the above DISC BRAKE PADS are NOT ORIGINAL but with these interchangeable.

CODICE	IMPIANTO		ASSE	SCALA	APPLICAZIONI
<b>R-1326</b>	BOSCH		ANTERIORE	1:1	FIAT
CODICE COMPONENTI	N°	L(mm)	SERIE		
F3162	1	180	4 PEZZI		
*	*	*	*		
*	*	*	*		
*	*	*	*		
CODICE ACCESSORI	N°	L(mm)	NOTE		
*	*	*	*		
*	*	*	*		
*	*	*	*		
*	*	*	*		



Reference in this Catalogue to other manufactures and to part numbers and other descriptions are for identification purposes only, because the above DISC BRAKE PADS are NOT ORIGINAL but with these interchangeable.

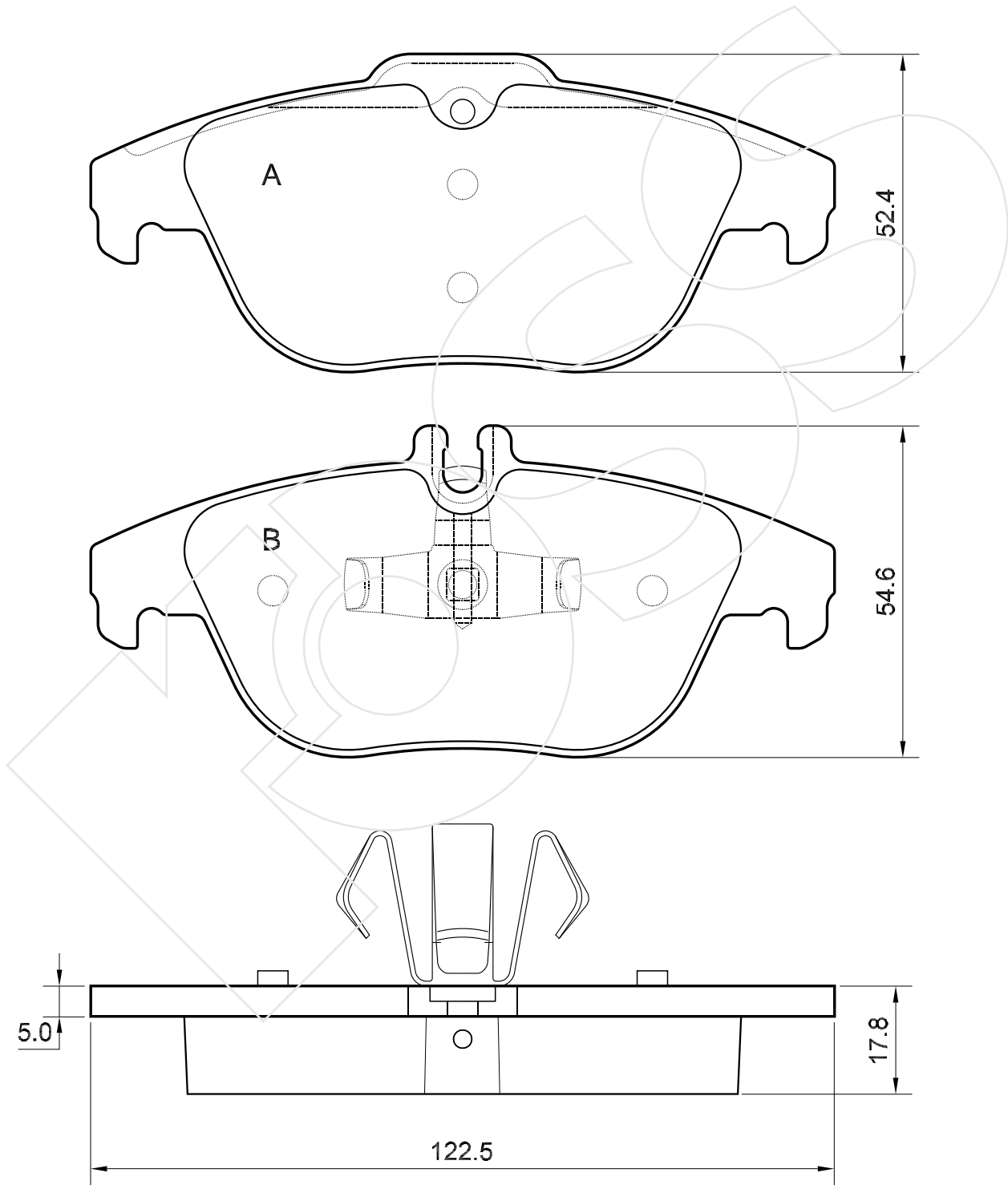
CODICE	IMPIANTO		ASSE	SCALA	APPLICAZIONI
<b>R-1327</b>	LUCAS		ANTERIORE	70%	MERCEDES
CODICE COMPONENTI	N°	L(mm)	SERIE		
A070	2	*	2 PEZZI TIPO A		
A071	1	*	1 PEZZO TIPO B		
A072	1	*	1 PEZZO TIPO C		
*	*	*	*		
CODICE ACCESSORI	N°	L(mm)	NOTE		
*	*	*			
*	*	*			
*	*	*			
*	*	*			



Reference in this Catalogue to other manufactures and to part numbers and other descriptions are for identification purposes only, because the above DISC BRAKE PADS are NOT ORIGINAL but with these interchangeable.

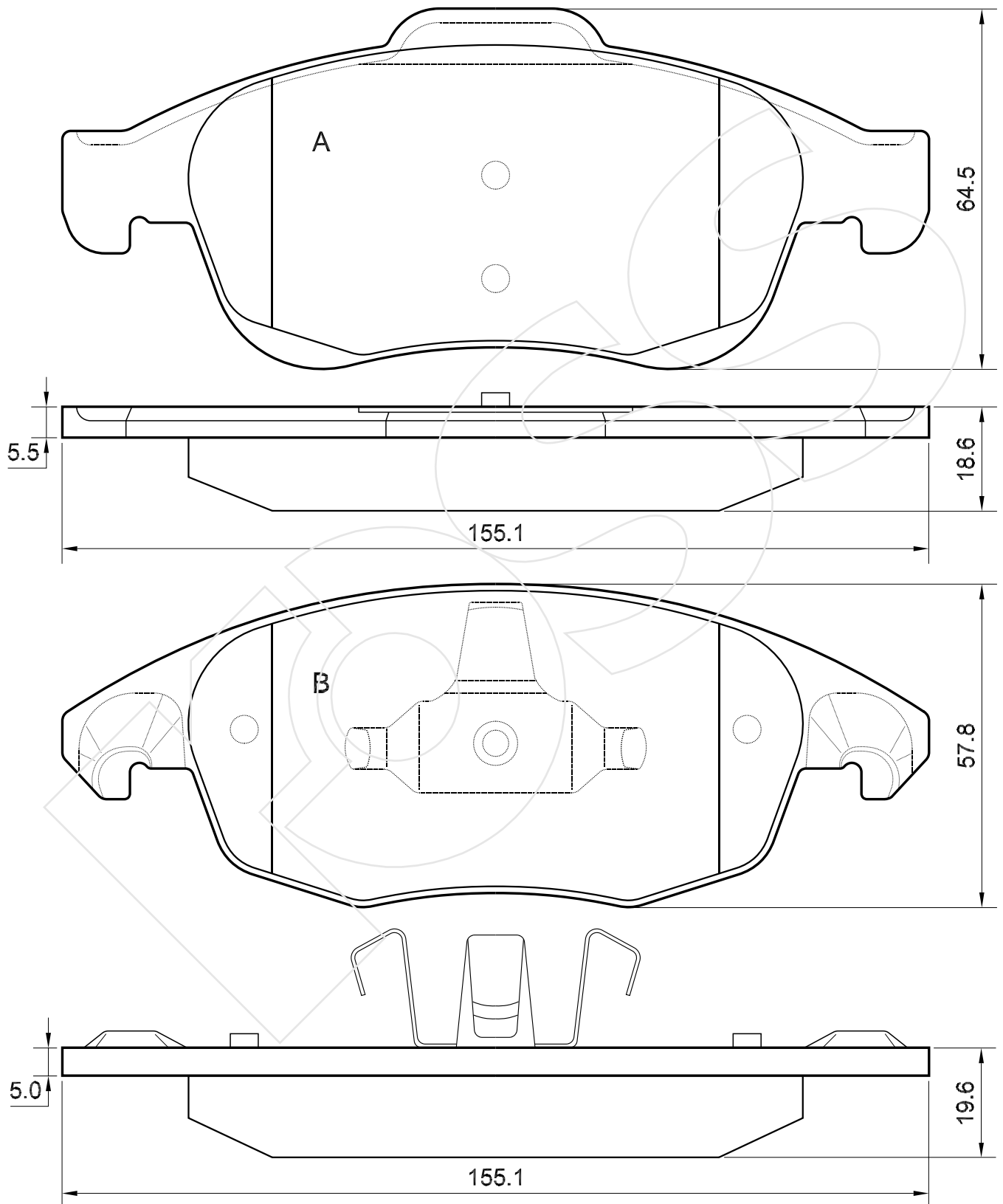


CODICE	IMPIANTO		ASSE	SCALA	APPLICAZIONI
<b>R-1328</b>	ATE		POSTERIORE	1:1	MERCEDES
CODICE COMPONENTI	N°	L(mm)	SERIE		
*	*	*	2 PEZZI TIPO A		
M0000	2	*	2 PEZZI TIPO B		
*	*	*	*		
*	*	*	*		
CODICE ACCESSORI	N°	L(mm)	NOTE		
*	*	*			
*	*	*			
*	*	*			
*	*	*			



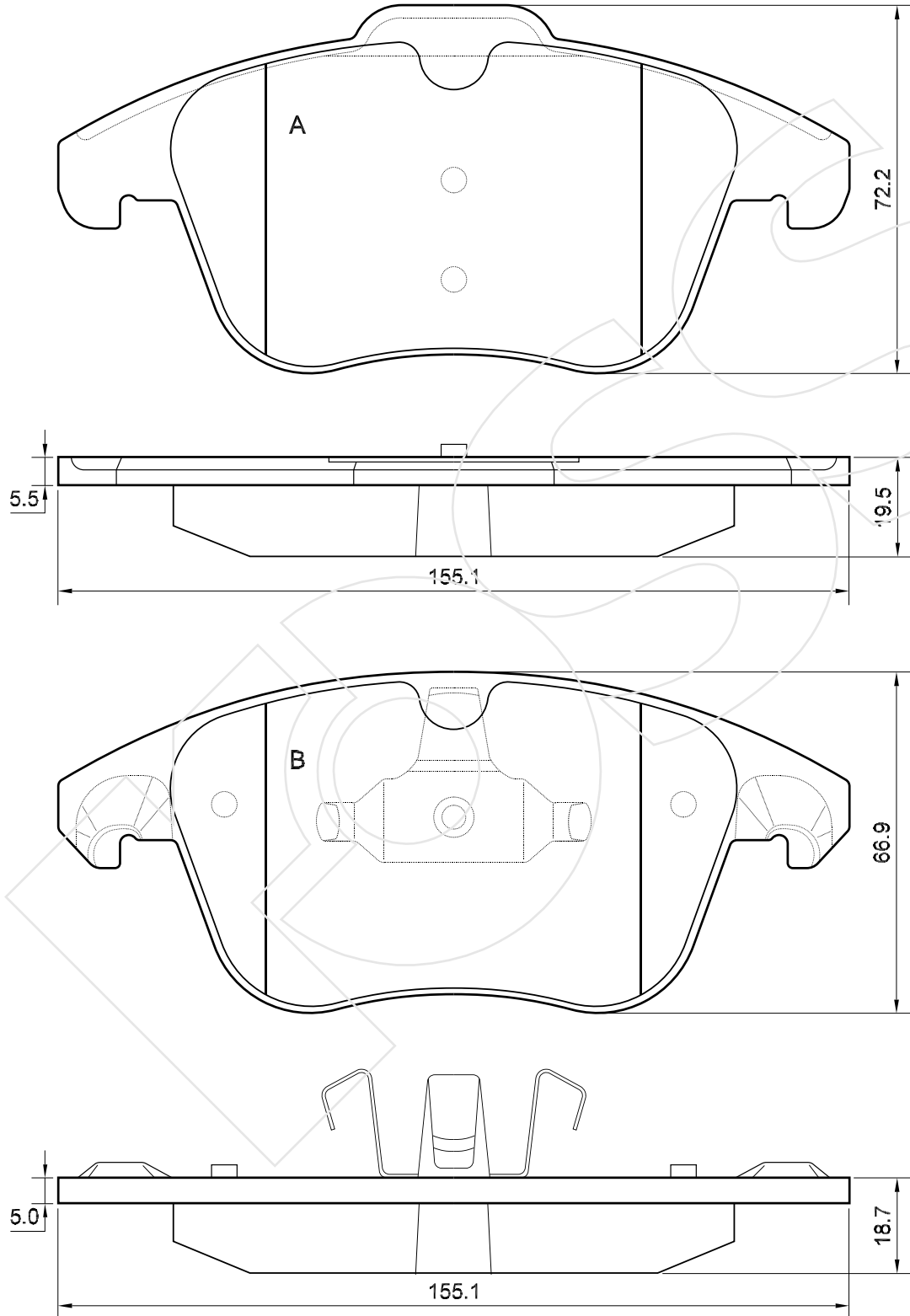
Reference in this Catalogue to other manufactures and to part numbers and other descriptions are for identification purposes only, because the above DISC BRAKE PADS are NOT ORIGINAL but with these interchangeable.

CODICE	IMPIANTO		ASSE	SCALA	APPLICAZIONI
<b>R-1329</b>	ATE		ANTERIORE	1:1	CITROEN
CODICE COMPONENTI	N°	L(mm)	SERIE		
*	*	*	2 PEZZI TIPO A		
M0000	2	*	2 PEZZI TIPO B		
*	*	*	*		
*	*	*	*		
CODICE ACCESSORI	N°	L(mm)	NOTE		
*	*	*			
*	*	*			
*	*	*			
*	*	*			



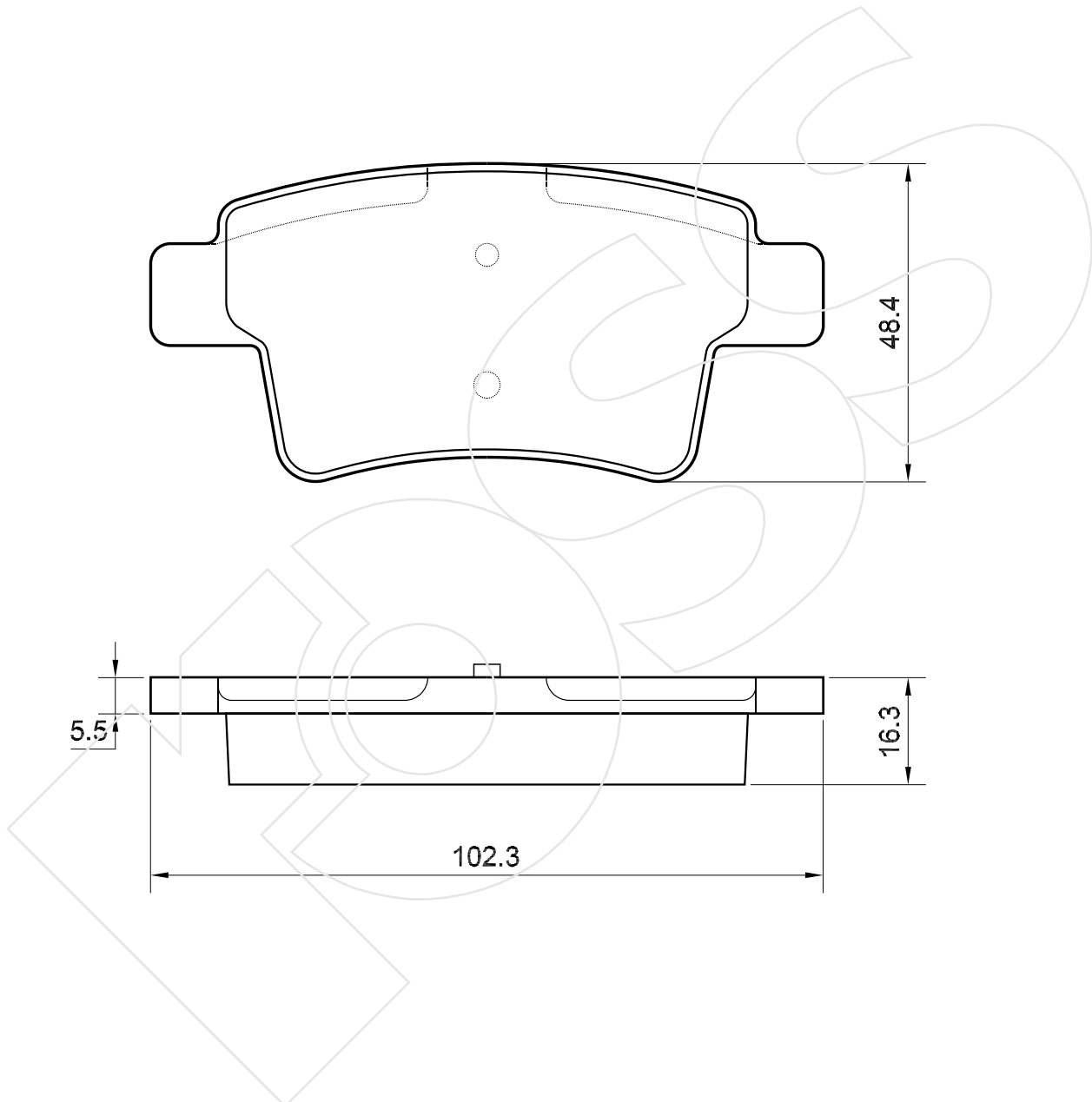
Reference in this Catalogue to other manufactures and to part numbers and other descriptions are for identification purposes only, because the above DISC BRAKE PADS are NOT ORIGINAL but with these interchangeable.

CODICE	IMPIANTO		ASSE	SCALA	APPLICAZIONI
<b>R-1330</b>	ATE		ANTERIORE	80%	CITROEN
CODICE COMPONENTI	N°	L(mm)	SERIE		
*	*	*	2 PEZZI TIPO A		
M0000	2	*	2 PEZZI TIPO B		
*	*	*	*		
*	*	*	*		
CODICE ACCESSORI	N°	L(mm)	NOTE		
*	*	*			
*	*	*			
*	*	*			
*	*	*			



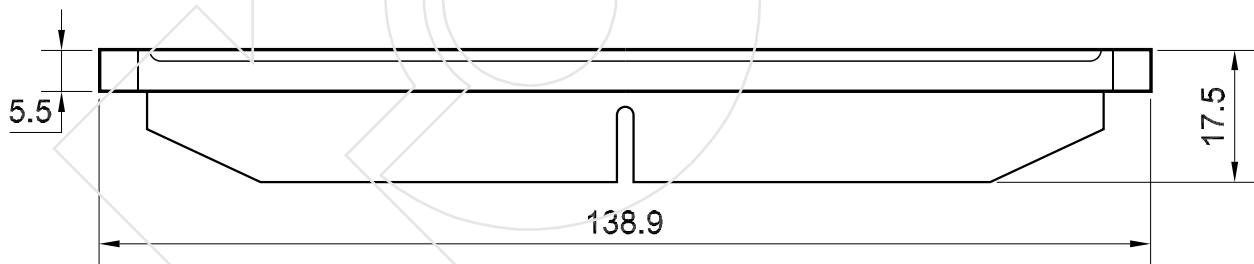
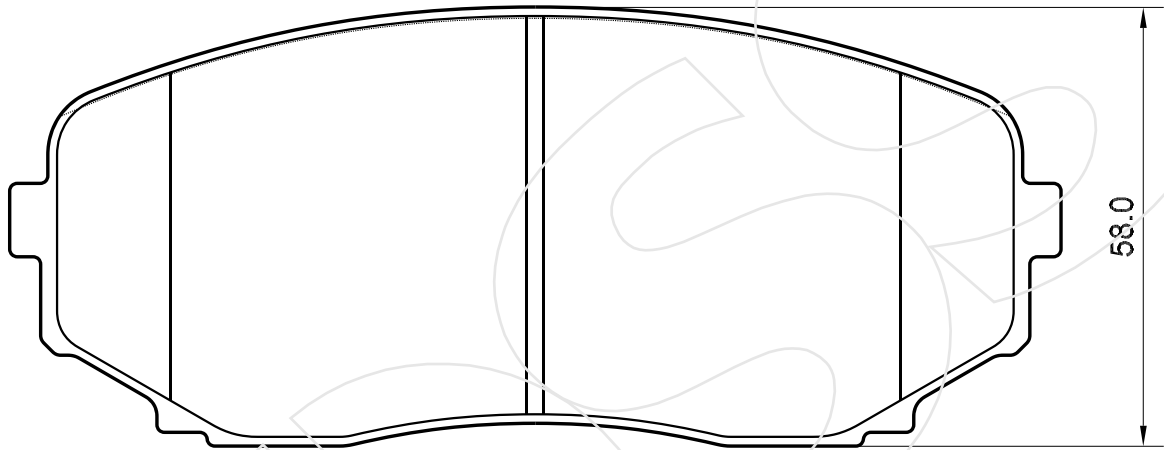
Reference in this Catalogue to other manufactures and to part numbers and other descriptions are for identification purposes only, because the above DISC BRAKE PADS are NOT ORIGINAL but with these interchangeable.

CODICE	IMPIANTO		ASSE	SCALA	APPLICAZIONI
<b>R-1331</b>	BOSCH		POSTERIORE	1:1	CITROEN
CODICE COMPONENTI	N°	L(mm)	SERIE		
*	*	*	4 PEZZI		
*	*	*	*		
*	*	*	*		
*	*	*	*		
*	*	*	*		
CODICE ACCESSORI	N°	L(mm)	NOTE		
*	*	*			
*	*	*			
*	*	*			
*	*	*			



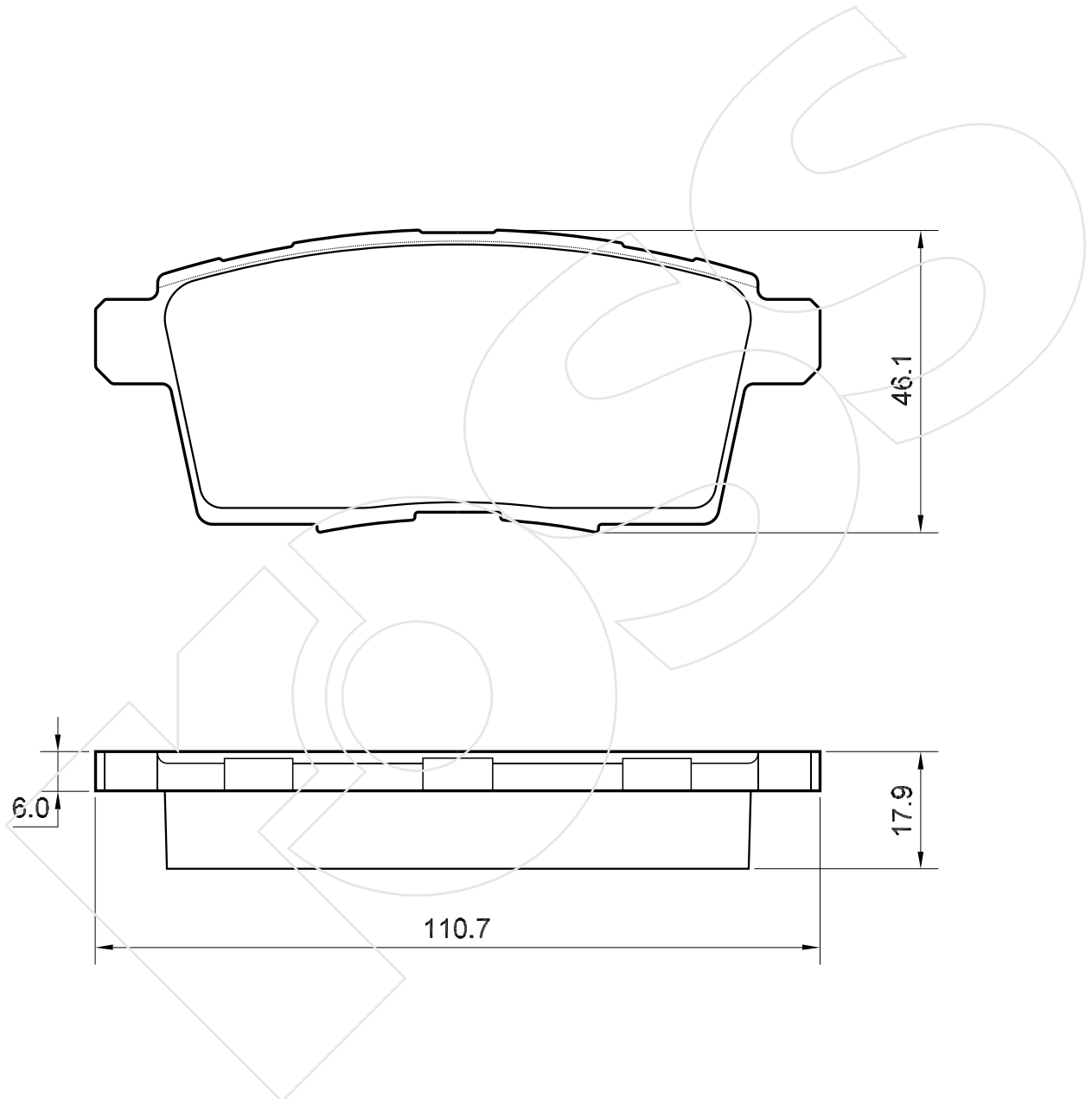
Reference in this Catalogue to other manufactures and to part numbers and other descriptions are for identification purposes only, because the above DISC BRAKE PADS are NOT ORIGINAL but with these interchangeable.

CODICE	IMPIANTO		ASSE	SCALA	APPLICAZIONI
<b>R-1332</b>	SUMITOMO		ANTERIORE	1:1	MAZDA
CODICE COMPONENTI	N°	L(mm)	SERIE		
M0336	1	*	4 PEZZI		
*	*	*	*		
*	*	*	*		
*	*	*	*		
CODICE ACCESSORI	N°	L(mm)	NOTE		
*	*	*	*		
*	*	*	*		
*	*	*	*		
*	*	*	*		



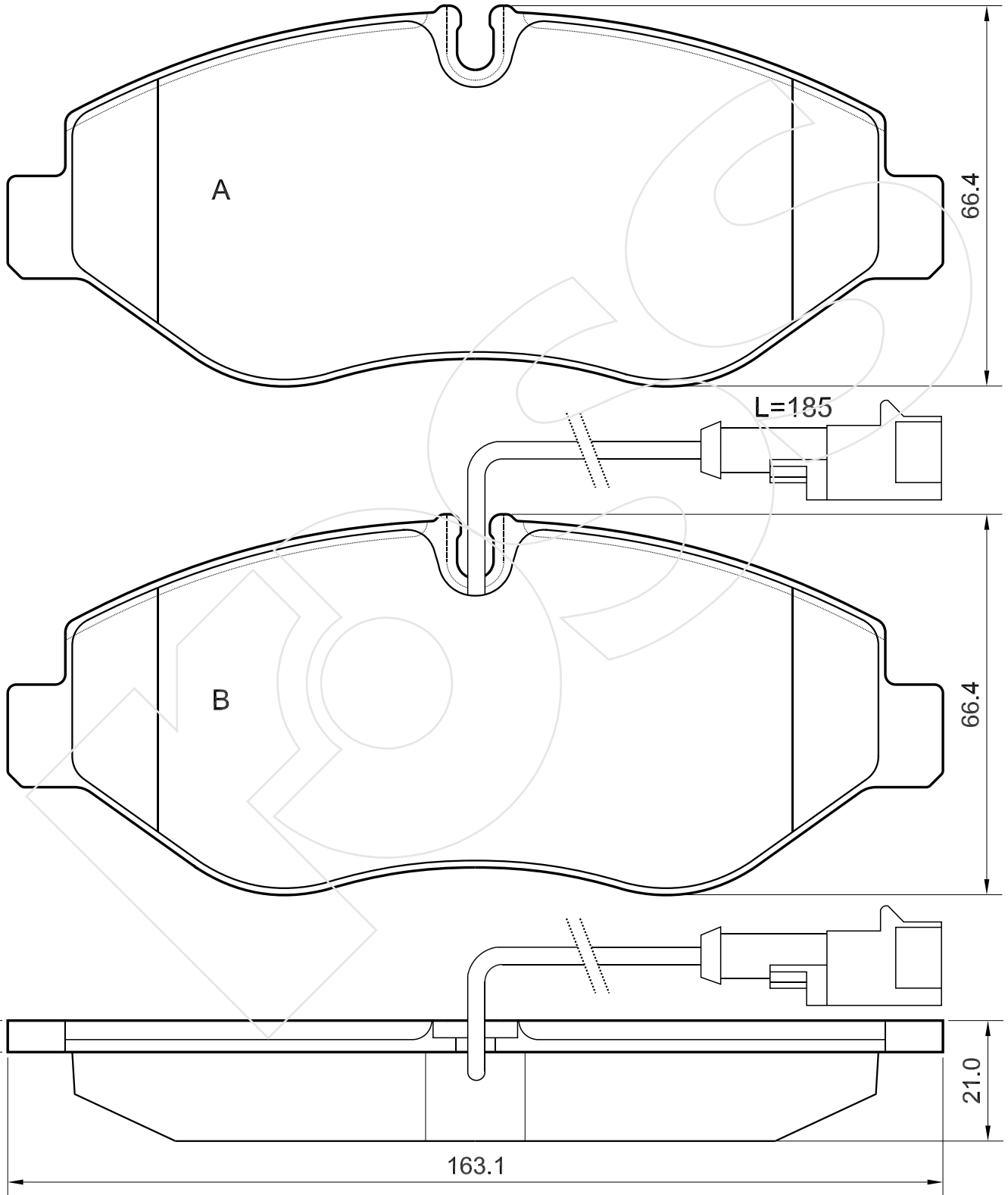
Reference in this Catalogue to other manufactures and to part numbers and other descriptions are for identification purposes only, because the above DISC BRAKE PADS are NOT ORIGINAL but with these interchangeable.

CODICE	IMPIANTO		ASSE	SCALA	APPLICAZIONI
<b>R-1333</b>	SUMITOMO		POSTERIORE	1:1	MAZDA
CODICE COMPONENTI	N°	L(mm)	SERIE		
*	*	*	4 PEZZI		
*	*	*	*		
*	*	*	*		
*	*	*	*		
CODICE ACCESSORI	N°	L(mm)	NOTE		
*	*	*	*		
*	*	*	*		
*	*	*	*		
*	*	*	*		



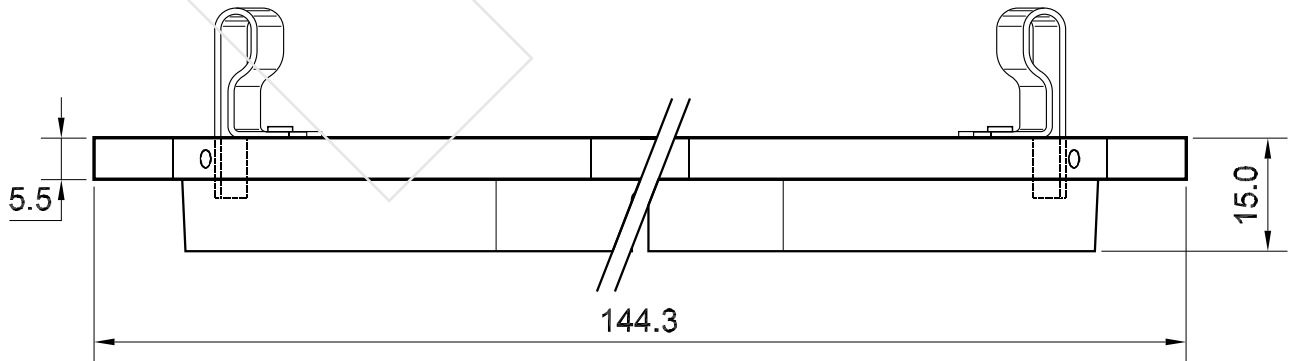
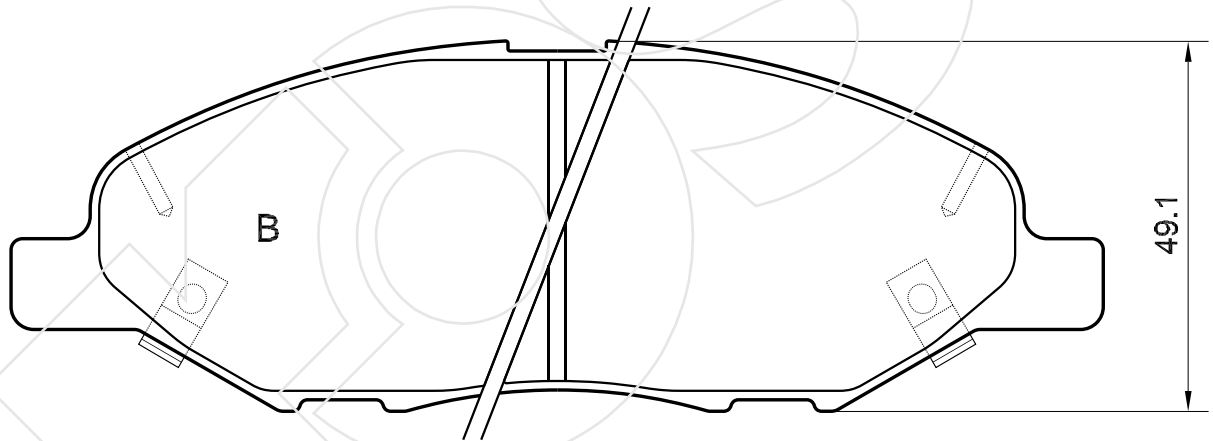
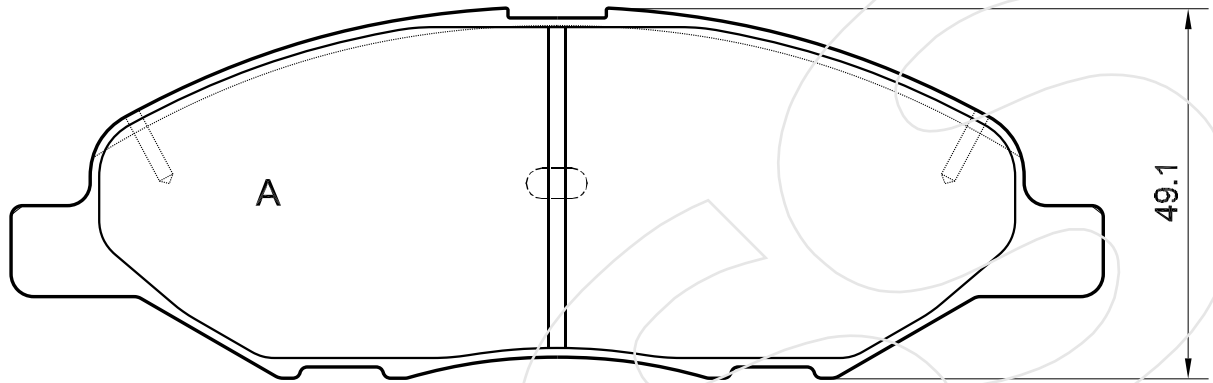
Reference in this Catalogue to other manufactures and to part numbers and other descriptions are for identification purposes only, because the above DISC BRAKE PADS are NOT ORIGINAL but with these interchangeable.

CODICE	IMPIANTO		ASSE	SCALA	APPLICAZIONI
<b>R-1334</b>	BREMBO		ANTERIORE	1:1	NISSAN RENAULT
CODICE COMPONENTI	N°	L(mm)	SERIE		
*	*	*	2 PEZZI TIPO A		
F3019	2	220	2 PEZZI TIPO B		
*	*	*	*		
*	*	*	*		
CODICE ACCESSORI	N°	L(mm)	NOTE		
*	*	*			
*	*	*			
*	*	*			
*	*	*			



Reference in this Catalogue to other manufactures and to part numbers and other descriptions are for identification purposes only, because the above DISC BRAKE PADS are NOT ORIGINAL but with these interchangeable.

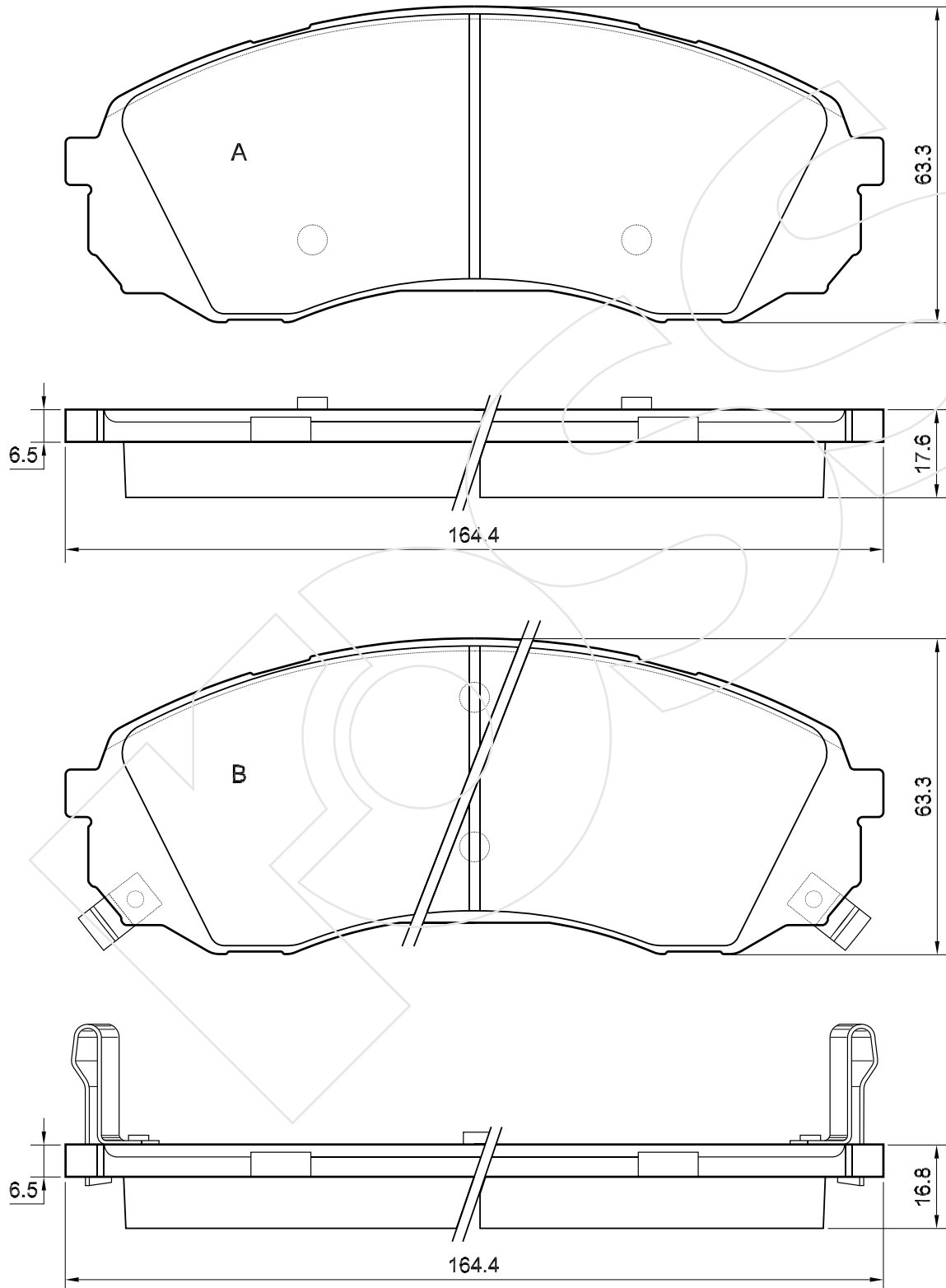
CODICE	IMPIANTO		ASSE	SCALA	APPLICAZIONI
<b>R-1335</b>	SUMITOMO		ANTERIORE	1:1	NISSAN
CODICE COMPONENTI	N°	L(mm)	SERIE		
*	*	*	2 PEZZI TIPO A		
M0289	2	*	2 PEZZI TIPO B		
*	*	*	*		
*	*	*	*		
CODICE ACCESSORI	N°	L(mm)	NOTE		
*	*	*			
*	*	*			
*	*	*			
*	*	*			



Reference in this Catalogue to other manufactures and to part numbers and other descriptions are for identification purposes only, because the above DISC BRAKE PADS are NOT ORIGINAL but with these interchangeable.

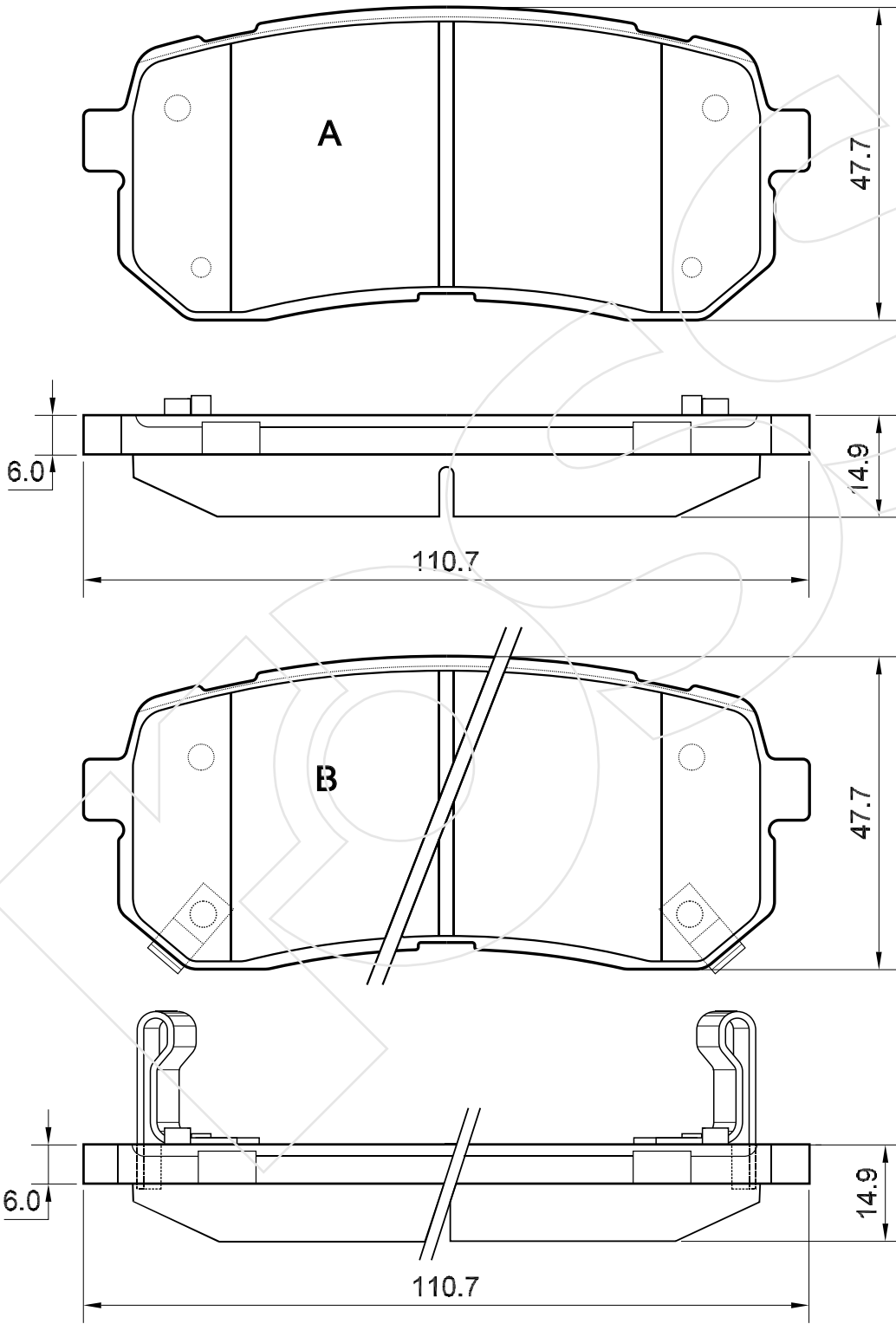


CODICE	IMPIANTO		ASSE	SCALA	APPLICAZIONI
<b>R-1336</b>	MANDO		ANTERIORE	80%	KIA
CODICE COMPONENTI	N°	L(mm)	SERIE		
*	*	*	2 PEZZI TIPO A		
M0000	2	*	2 PEZZI TIPO B		
*	*	*	*		
*	*	*	*		
CODICE ACCESSORI	N°	L(mm)	NOTE		
*	*	*			
*	*	*			
*	*	*			
*	*	*			



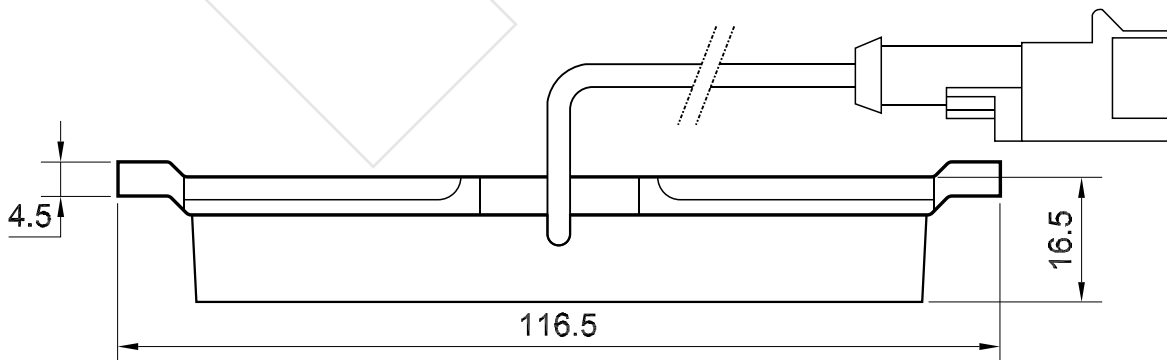
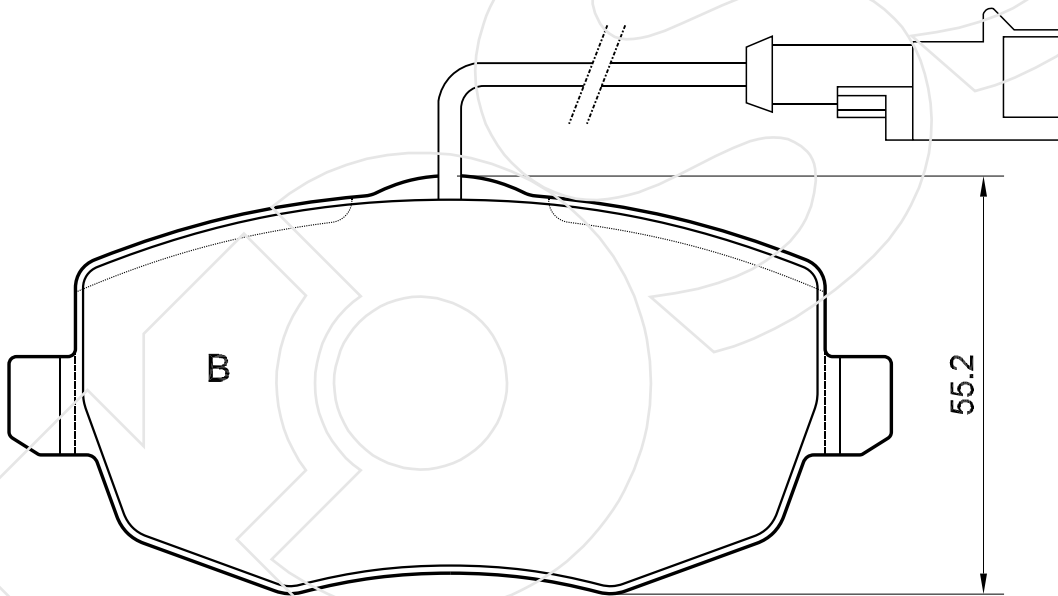
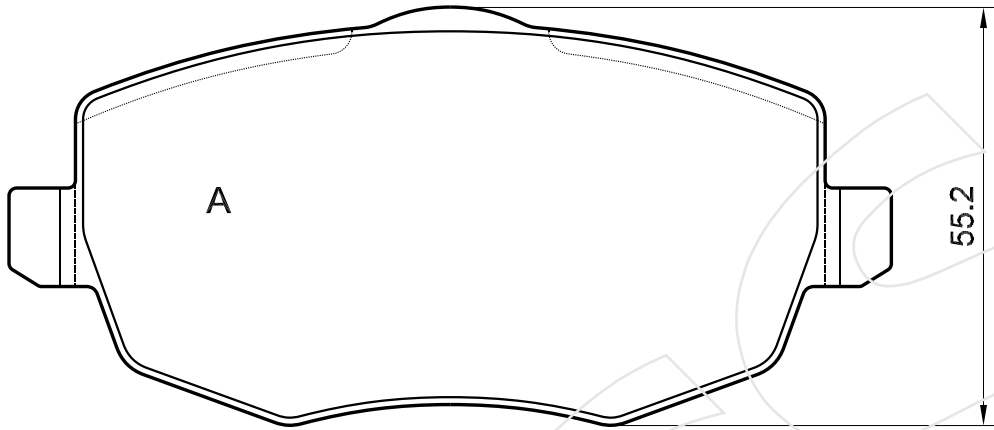
Reference in this Catalogue to other manufactures and to part numbers and other descriptions are for identification purposes only, because the above DISC BRAKE PADS are NOT ORIGINAL but with these interchangeable.

CODICE	IMPIANTO		ASSE	SCALA	APPLICAZIONI
<b>R-1337</b>	MANDO		POSTERIORE	1:1	KIA
CODICE COMPONENTI	N°	L(mm)	SERIE		
*	*	*	2 PEZZI TIPO A		
M0289	2	*	2 PEZZI TIPO B		
*	*	*	*		
*	*	*	*		
CODICE ACCESSORI	N°	L(mm)	NOTE		
*	*	*			
*	*	*			
*	*	*			
*	*	*			



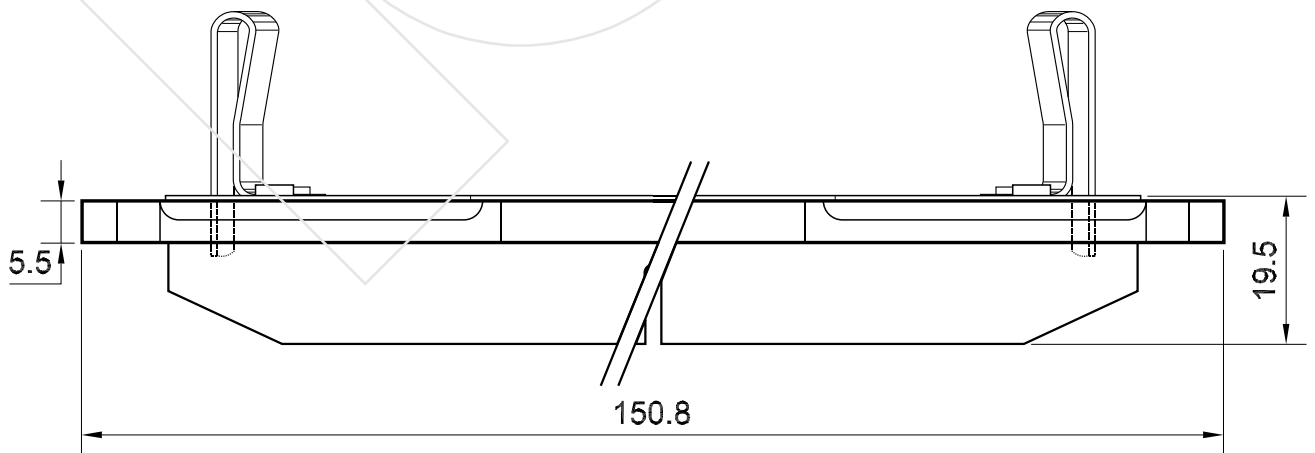
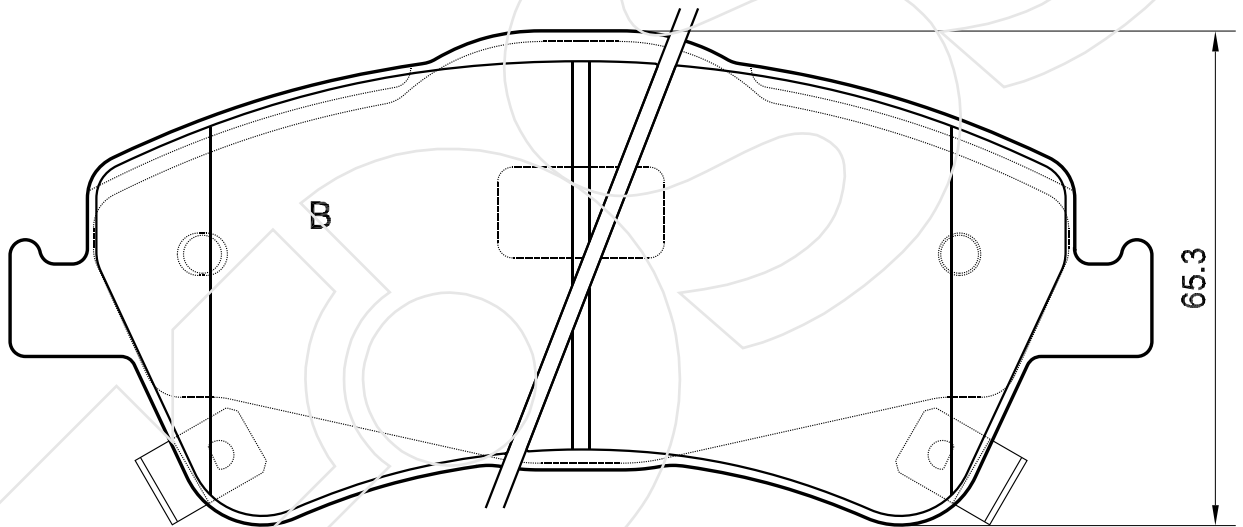
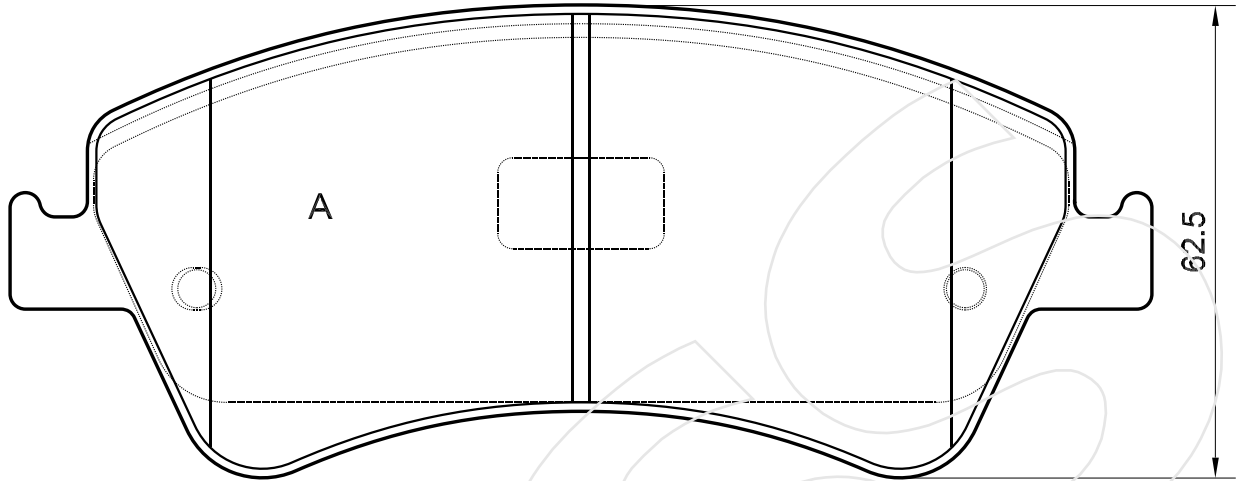
Reference in this Catalogue to other manufactures and to part numbers and other descriptions are for identification purposes only, because the above DISC BRAKE PADS are NOT ORIGINAL but with these interchangeable.

CODICE	IMPIANTO		ASSE	SCALA	APPLICAZIONI
<b>R-1338</b>	LUCAS		ANTERIORE	1:1	LANCIA
CODICE COMPONENTI	N°	L(mm)	SERIE		
*	*	*	3 PEZZI TIPO A		
F3019	1	220	1 PEZZO TIPO B		
*	*	*	*		
*	*	*	*		
*	*	*	*		
CODICE ACCESSORI	N°	L(mm)	NOTE		
*	*	*			
*	*	*			
*	*	*			
*	*	*			



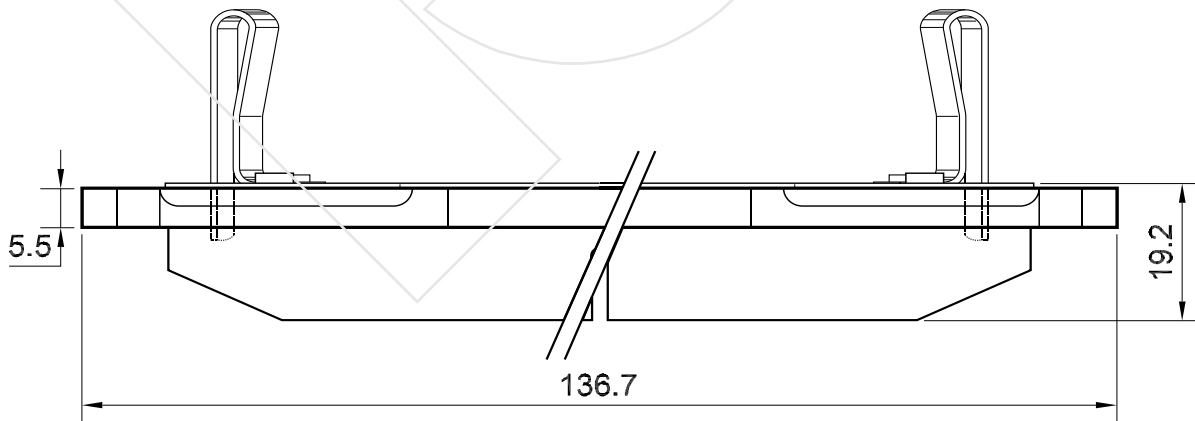
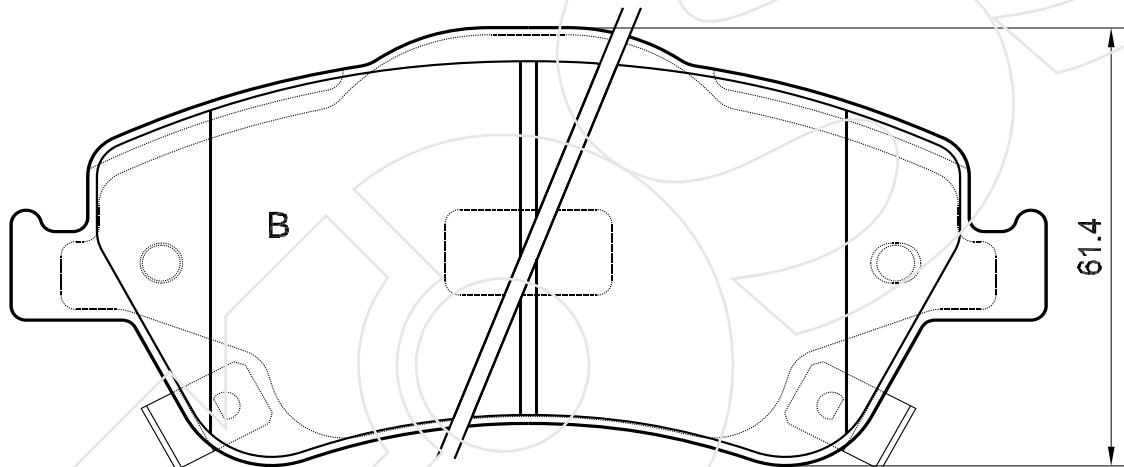
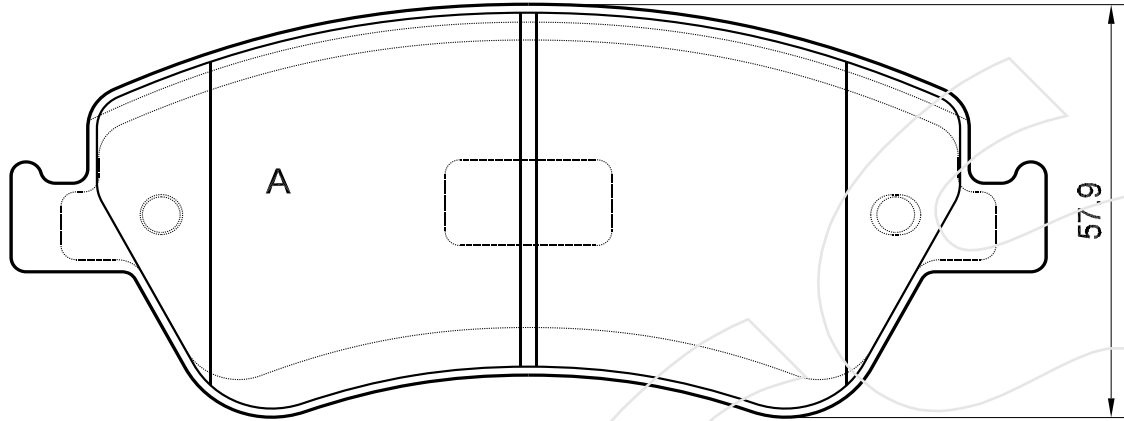
Reference in this Catalogue to other manufactures and to part numbers and other descriptions are for identification purposes only, because the above DISC BRAKE PADS are NOT ORIGINAL but with these interchangeable.

CODICE	IMPIANTO		ASSE	SCALA	APPLICAZIONI
<b>R-1339</b>	BOSCH		ANTERIORE	1:1	TOYOTA
CODICE COMPONENTI	N°	L(mm)	SERIE		
A034	2	*	2 PEZZI TIPO A		
M0000+A035	2+2	*	2 PEZZI TIPO B		
*	*	*	*		
*	*	*	*		
CODICE ACCESSORI	N°	L(mm)	NOTE		
*	*	*			
*	*	*			
*	*	*			
*	*	*			



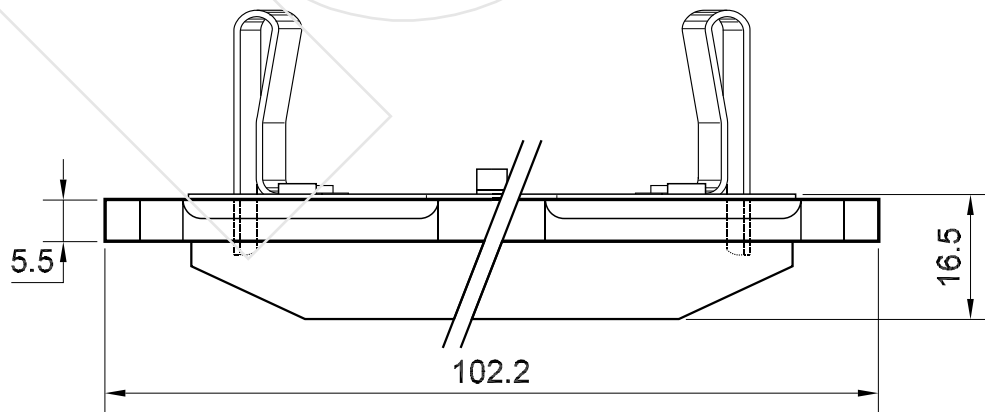
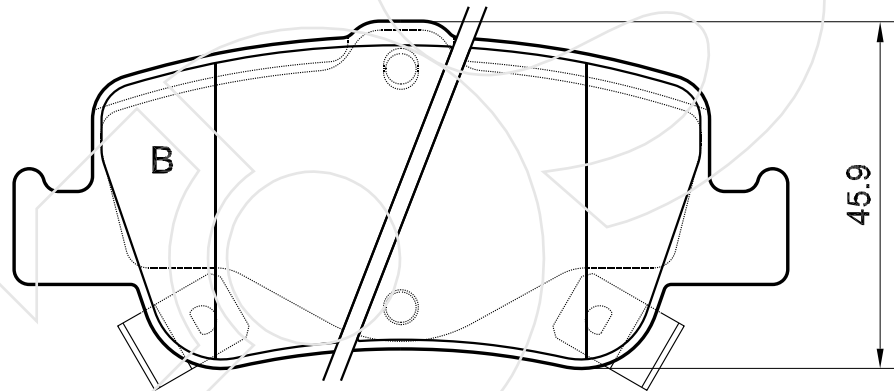
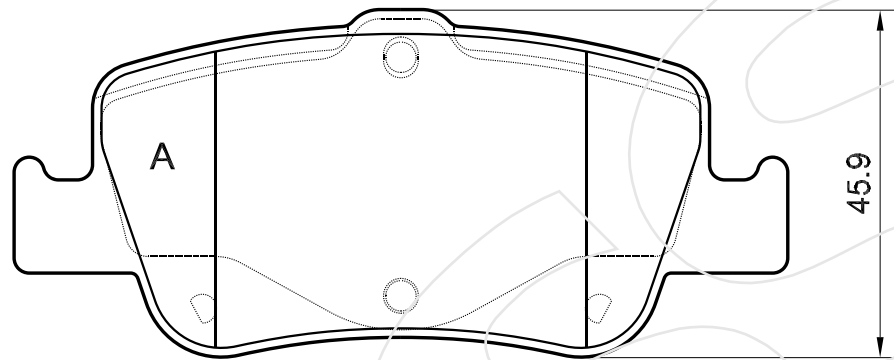
Reference in this Catalogue to other manufactures and to part numbers and other descriptions are for identification purposes only, because the above DISC BRAKE PADS are NOT ORIGINAL but with these interchangeable.

CODICE	IMPIANTO		ASSE	SCALA	APPLICAZIONI
<b>R-1340</b>	BOSCH		ANTERIORE	1:1	TOYOTA
CODICE COMPONENTI	N°	L(mm)	SERIE		
A036	2	*	2 PEZZI TIPO A		
A037+M0000	2+2	*	2 PEZZI TIPO B		
*	*	*	*		
*	*	*	*		
CODICE ACCESSORI	N°	L(mm)	NOTE		
*	*	*			
*	*	*			
*	*	*			
*	*	*			



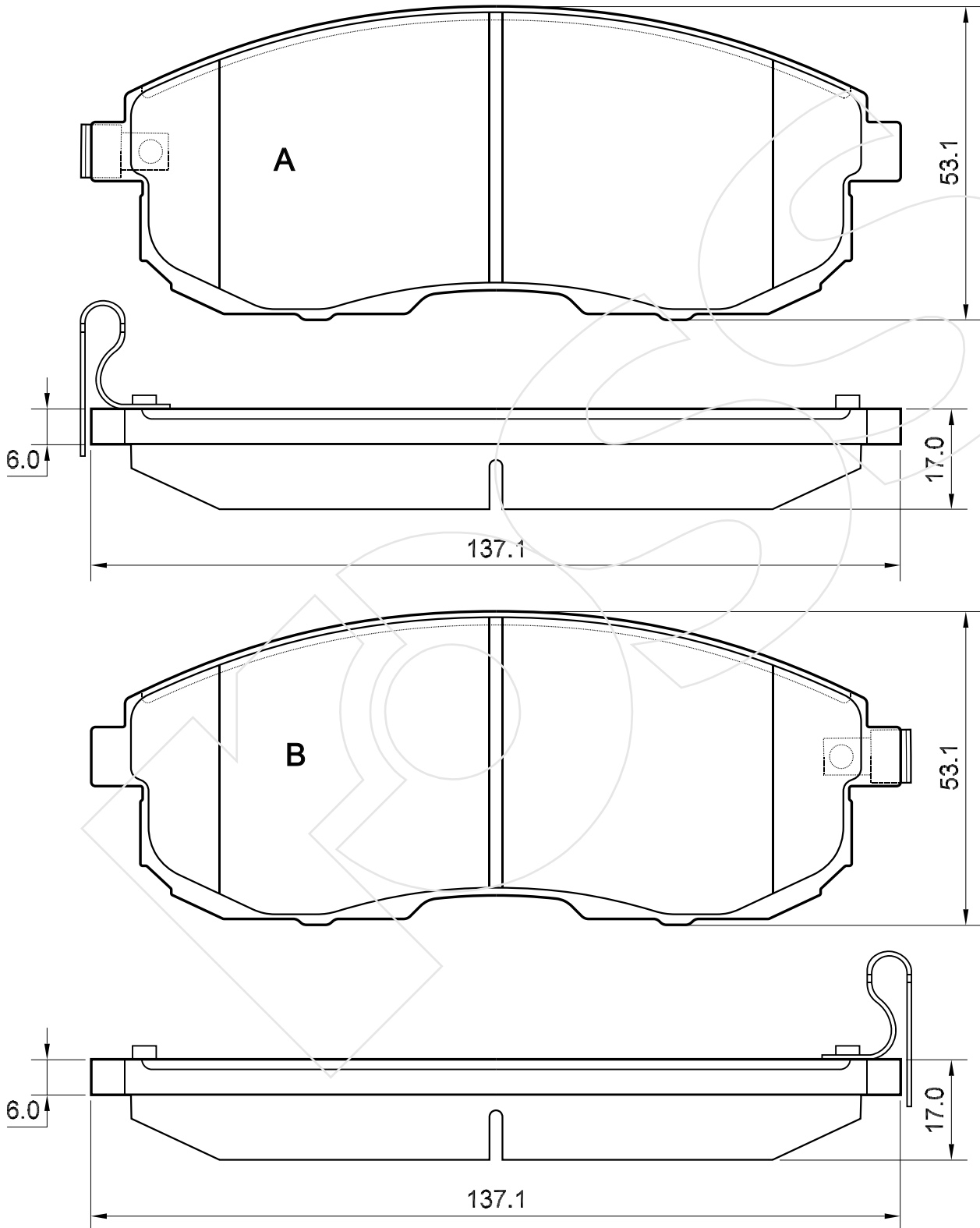
Reference in this Catalogue to other manufactures and to part numbers and other descriptions are for identification purposes only, because the above DISC BRAKE PADS are NOT ORIGINAL but with these interchangeable.

CODICE	IMPIANTO		ASSE	SCALA	APPLICAZIONI
<b>R-1341</b>	BOSCH		POSTERIORE	1:1	TOYOTA
CODICE COMPONENTI	N°	L(mm)	SERIE		
A038	2	*	2 PEZZI TIPO A		
A038+M0000	2+2	*	2 PEZZI TIPO B		
*	*	*	*		
*	*	*	*		
CODICE ACCESSORI	N°	L(mm)	NOTE		
*	*	*			
*	*	*			
*	*	*			
*	*	*			



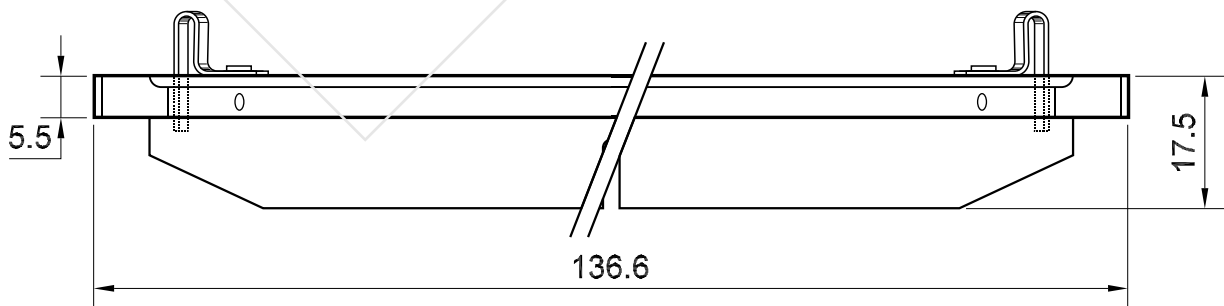
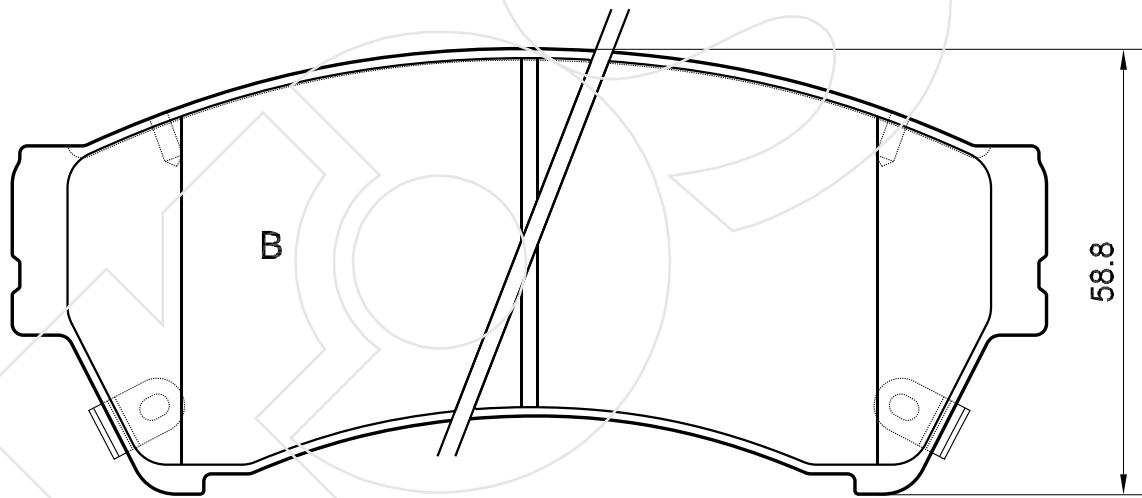
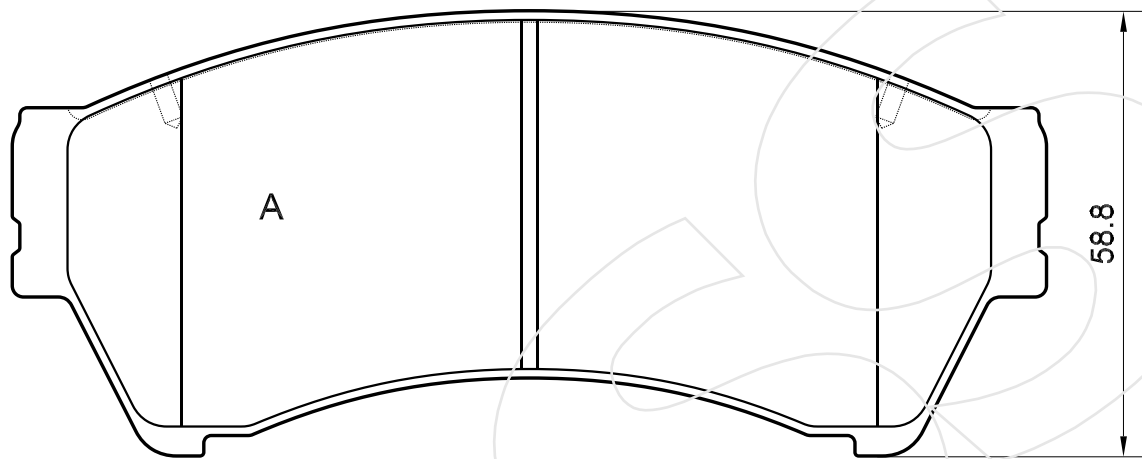
Reference in this Catalogue to other manufactures and to part numbers and other descriptions are for identification purposes only, because the above DISC BRAKE PADS are NOT ORIGINAL but with these interchangeable.

CODICE	IMPIANTO		ASSE	SCALA	APPLICAZIONI
<b>R-1342</b>	LUCAS		ANTERIORE	1:1	NISSAN FIAT SUZUKI
CODICE COMPONENTI	N°	L(mm)	SERIE		
M0074	2	*	2 PEZZI TIPO A		
M0074	2	*	2 PEZZI TIPO B		
*	*	*	*		
*	*	*	*		
CODICE ACCESSORI	N°	L(mm)	NOTE		
*	*	*	*		
*	*	*	*		
*	*	*	*		
*	*	*	*		



Reference in this Catalogue to other manufactures and to part numbers and other descriptions are for identification purposes only, because the above DISC BRAKE PADS are NOT ORIGINAL but with these interchangeable.

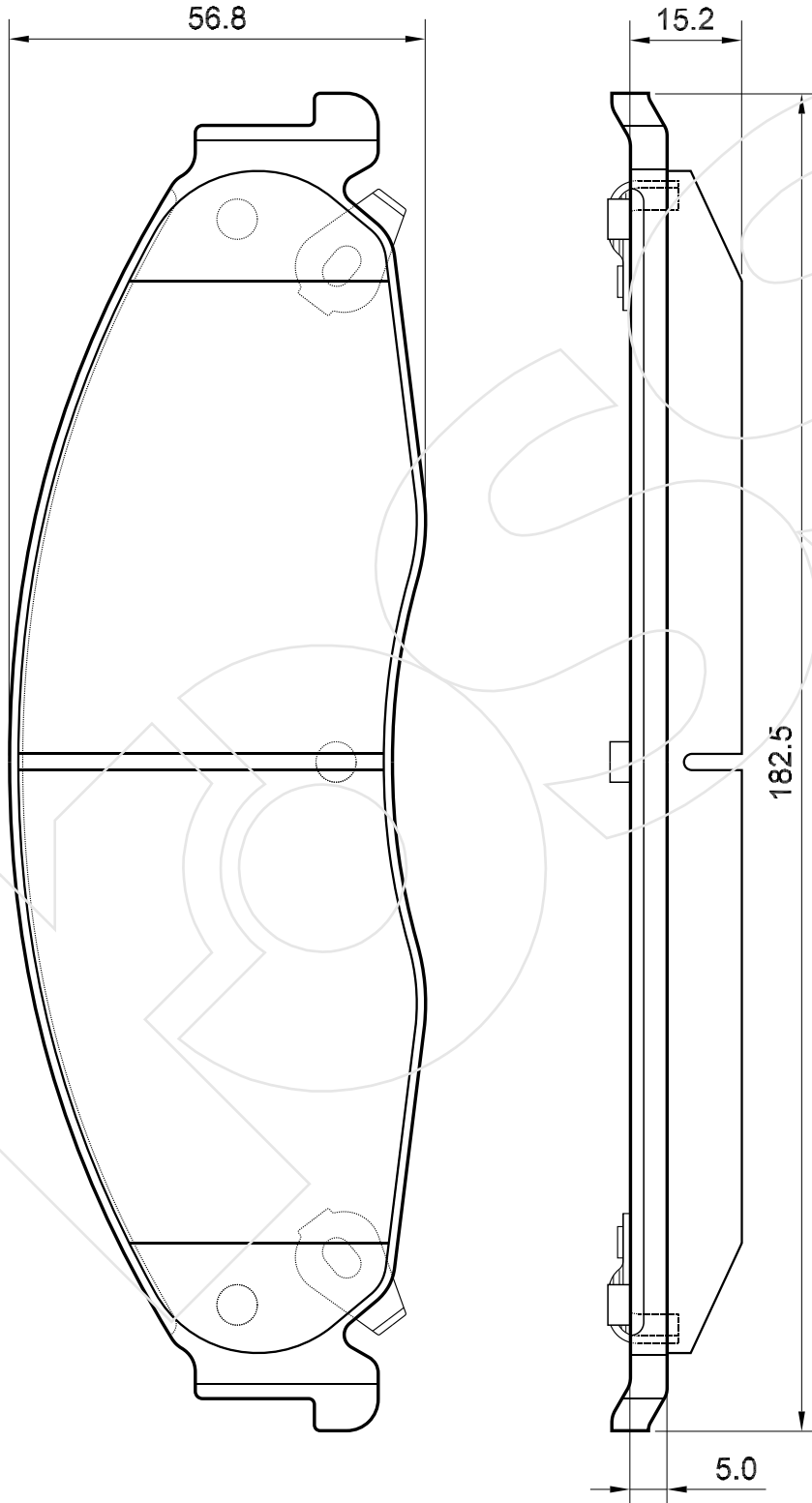
CODICE	IMPIANTO		ASSE	SCALA	APPLICAZIONI
<b>R-1343</b>	AKEBONO		ANTERIORE	1:1	MAZDA
CODICE COMPONENTI	N°	L(mm)	SERIE		
*	*	*	2 PEZZI TIPO A		
M0344	2	*	2 PEZZI TIPO B		
*	*	*	*		
*	*	*	*		
CODICE ACCESSORI	N°	L(mm)	NOTE		
*	*	*			
*	*	*			
*	*	*			
*	*	*			



Reference in this Catalogue to other manufactures and to part numbers and other descriptions are for identification purposes only, because the above DISC BRAKE PADS are NOT ORIGINAL but with these interchangeable.

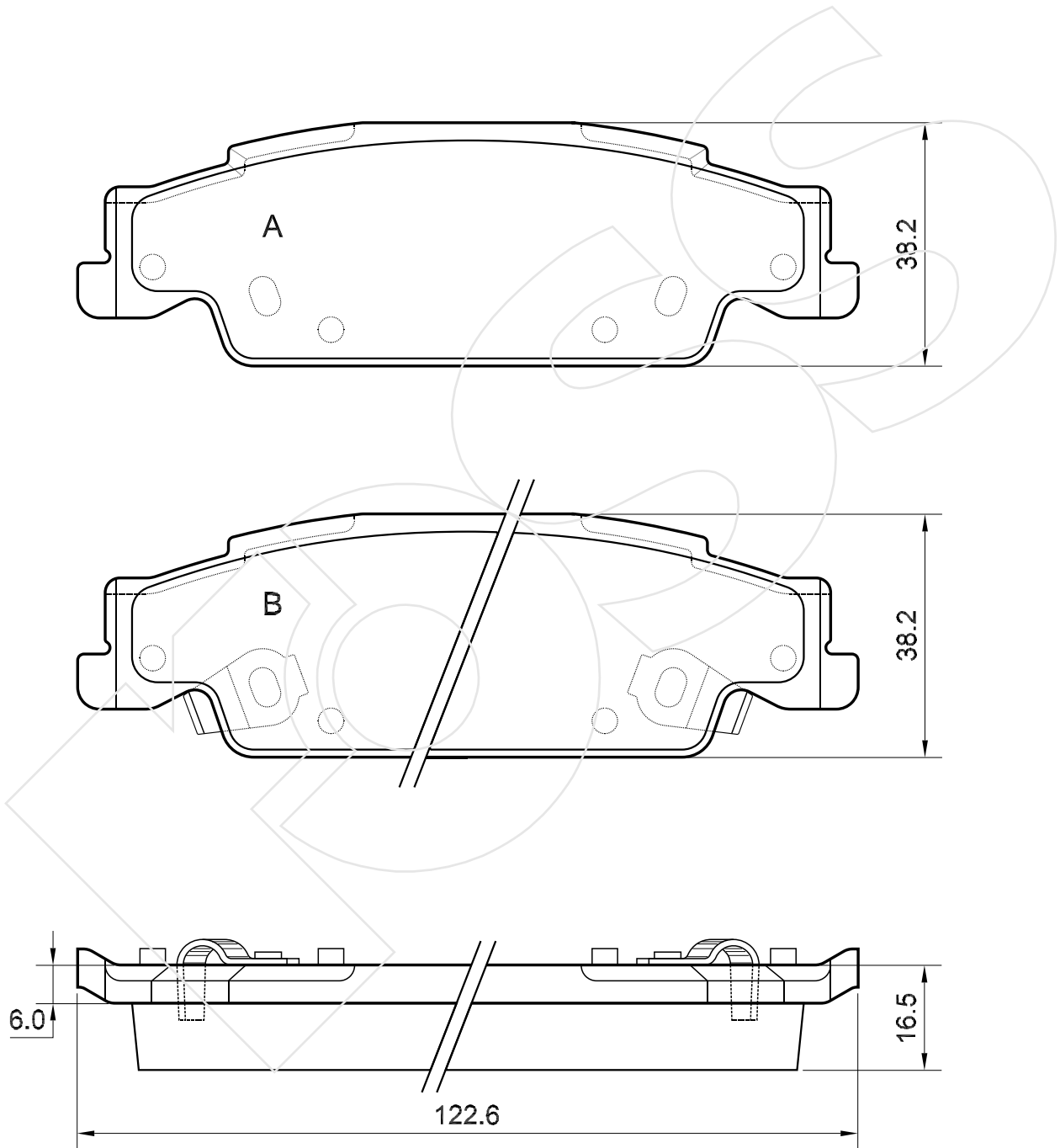


CODICE	IMPIANTO		ASSE	SCALA	APPLICAZIONI
<b>R-1344</b>	*		ANTERIORE	1:1	CADILLAC
CODICE COMPONENTI	N°	L(mm)	SERIE		
M0335	8	*	4 PEZZI		
*	*	*	*		
*	*	*	*		
*	*	*	*		
CODICE ACCESSORI	N°	L(mm)	NOTE		
*	*	*			
*	*	*			
*	*	*			
*	*	*			



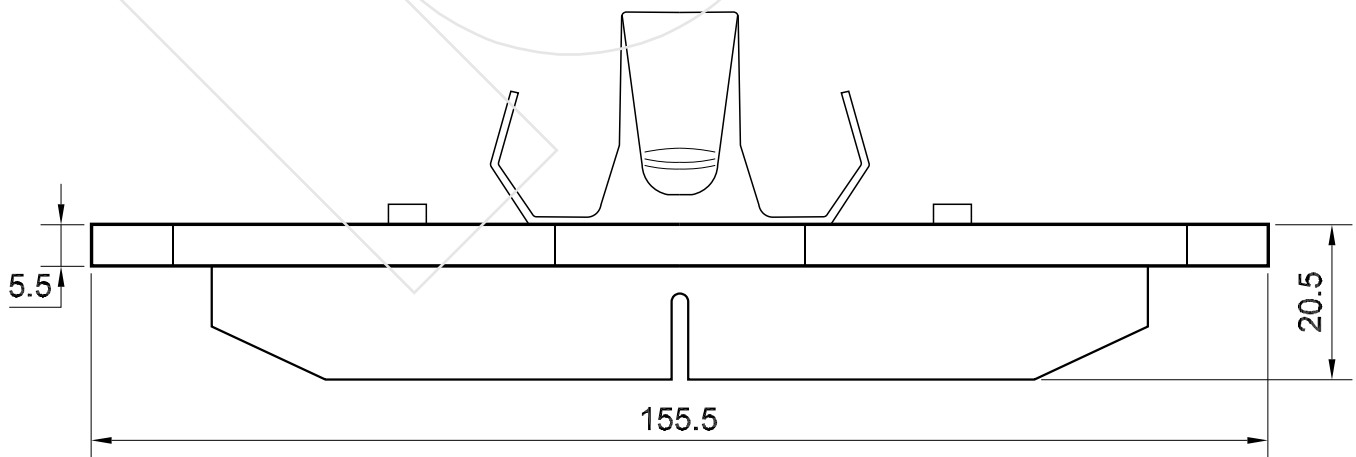
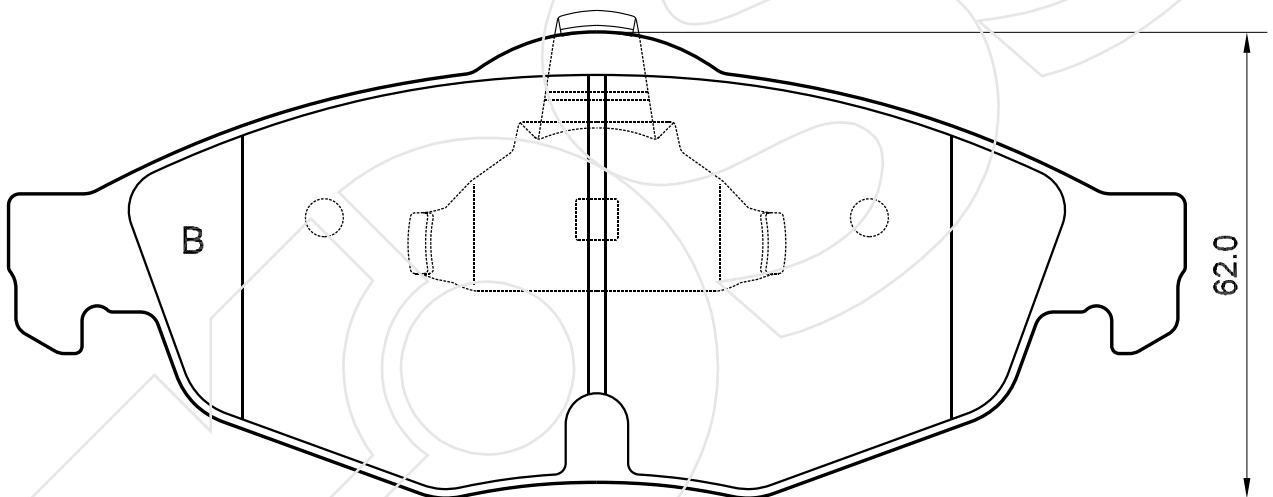
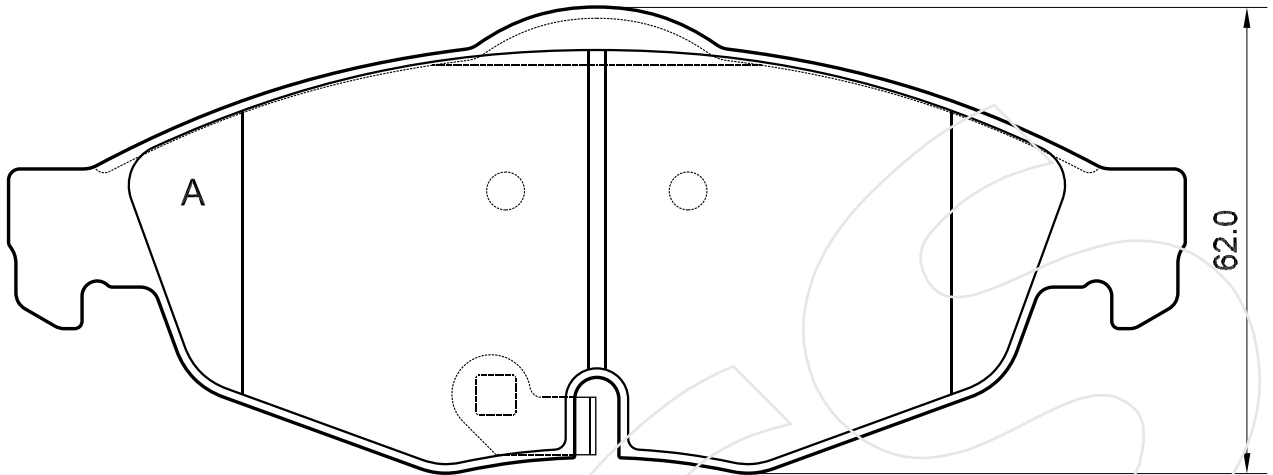
Reference in this Catalogue to other manufactures and to part numbers and other descriptions are for identification purposes only, because the above DISC BRAKE PADS are NOT ORIGINAL but with these interchangeable.

CODICE	IMPIANTO		ASSE	SCALA	APPLICAZIONI
<b>R-1345</b>	*		POSTERIORE	1:1	CADILLAC
CODICE COMPONENTI	N°	L(mm)	SERIE		
*	*	*	2 PEZZI TIPO A		
M0345	2	*	2 PEZZI TIPO B		
*	*	*	*		
*	*	*	*		
CODICE ACCESSORI	N°	L(mm)	NOTE		
*	*	*			
*	*	*			
*	*	*			
*	*	*			



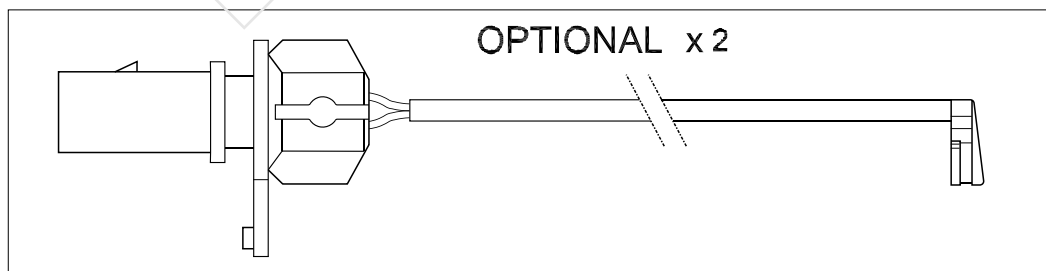
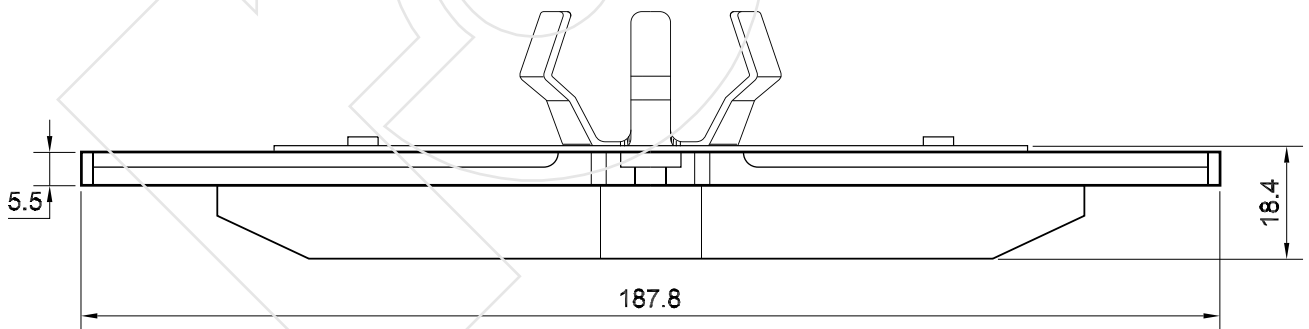
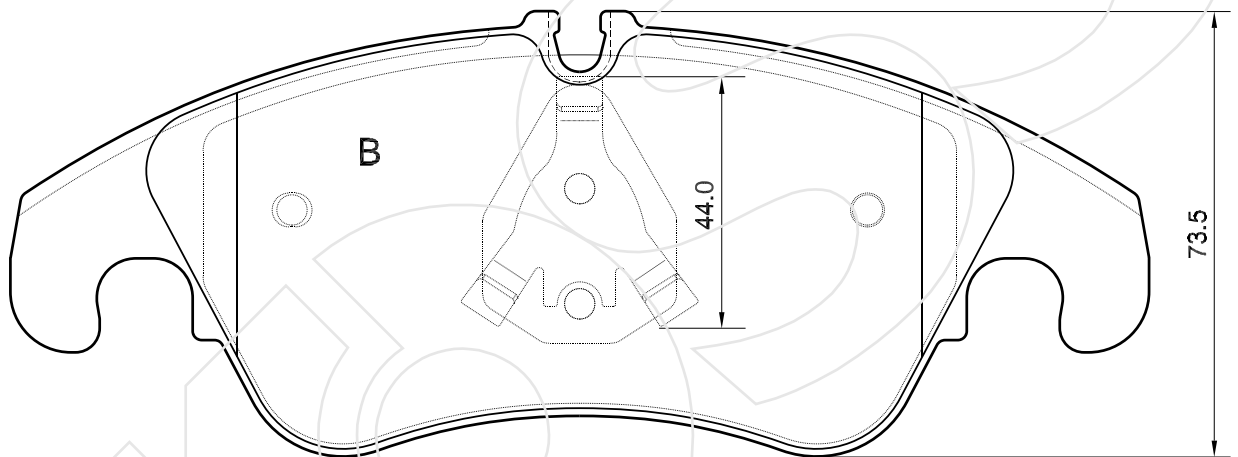
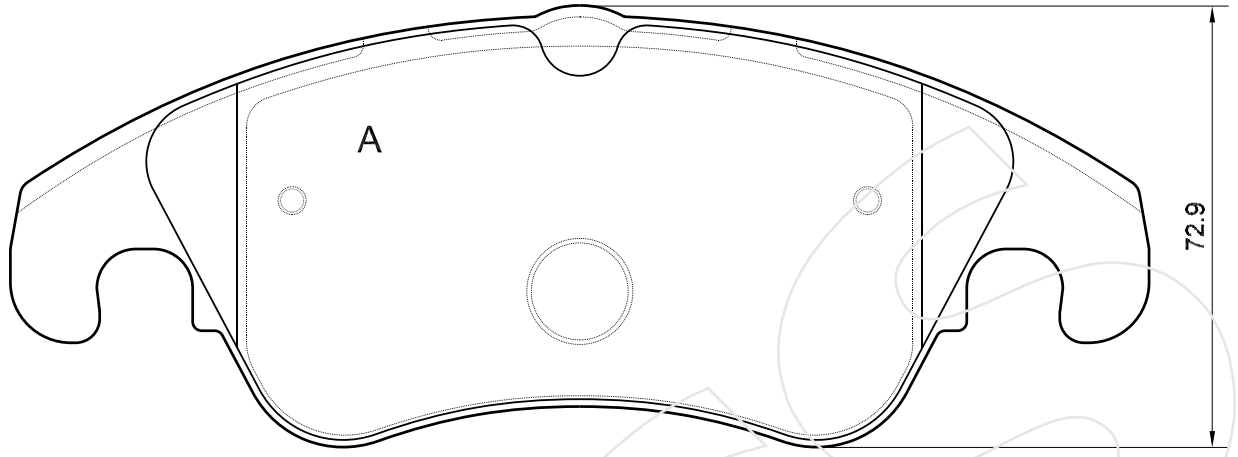
Reference in this Catalogue to other manufactures and to part numbers and other descriptions are for identification purposes only, because the above DISC BRAKE PADS are NOT ORIGINAL but with these interchangeable.

CODICE	IMPIANTO		ASSE	SCALA	APPLICAZIONI
<b>R-1346</b>	ATE		ANTERIORE	1:1	CHRYSLER
CODICE COMPONENTI	N°	L(mm)	SERIE		
M0346	2	*	2 PEZZI TIPO A		
M0282	2	*	2 PEZZI TIPO B		
*	*	*	*		
*	*	*	*		
CODICE ACCESSORI	N°	L(mm)	NOTE		
*	*	*			
*	*	*			
*	*	*			
*	*	*			



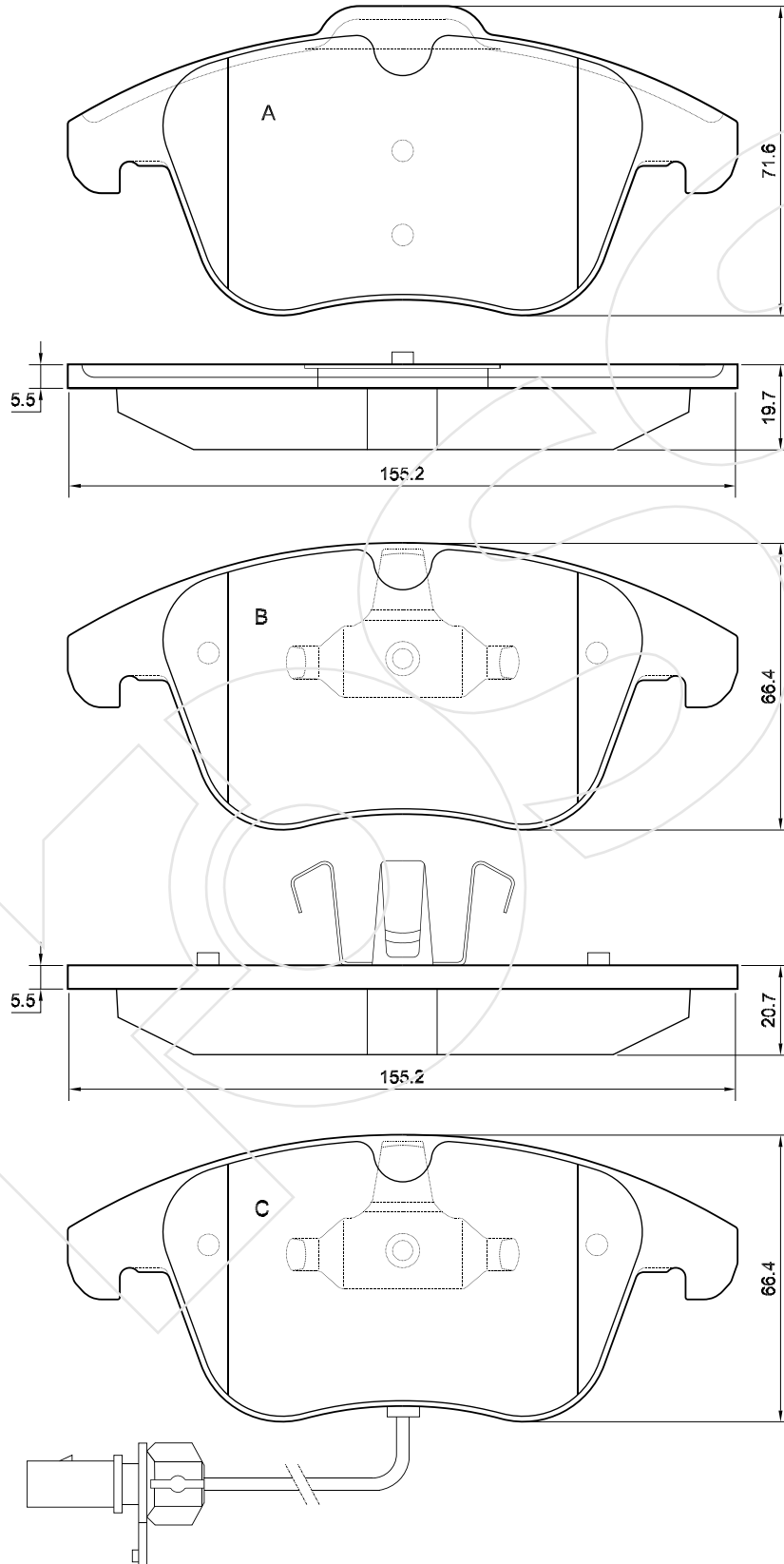
Reference in this Catalogue to other manufactures and to part numbers and other descriptions are for identification purposes only, because the above DISC BRAKE PADS are NOT ORIGINAL but with these interchangeable.

CODICE	IMPIANTO		ASSE	SCALA	APPLICAZIONI
<b>R-1347</b>	LUCAS		ANTERIORE	80%	AUDI
CODICE COMPONENTI	N°	L(mm)	SERIE		
A061	2	*	2 PEZZI TIPO A		
M0000+A062	2+2	*	2 PEZZI TIPO B		
*	*	*	*		
*	*	*	*		
CODICE ACCESSORI	N°	L(mm)	NOTE		
F0000	1	295			
*	*	*			
*	*	*			
*	*	*			



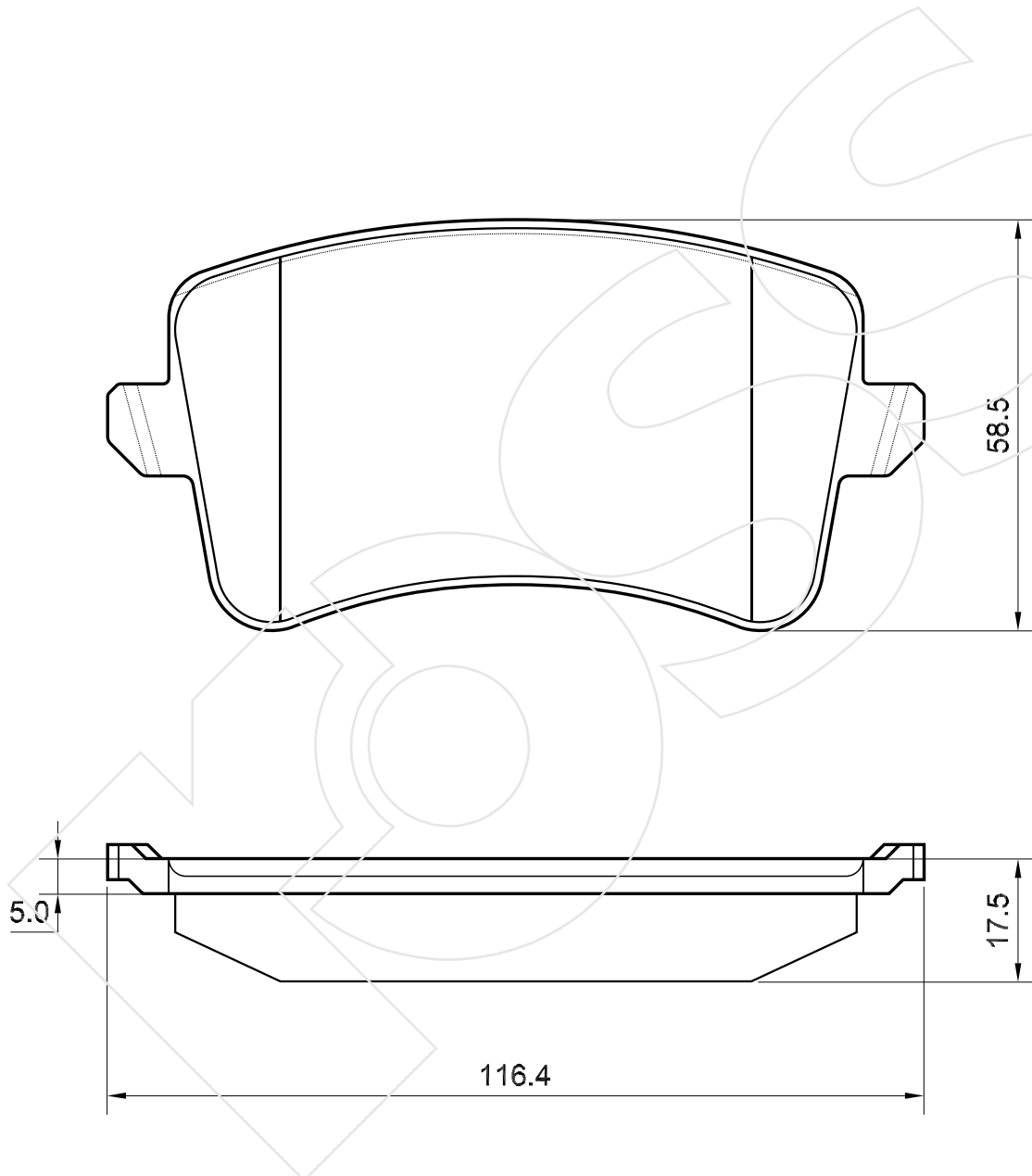
Reference in this Catalogue to other manufactures and to part numbers and other descriptions are for identification purposes only, because the above DISC BRAKE PADS are NOT ORIGINAL but with these interchangeable.

CODICE	IMPIANTO		ASSE	SCALA	APPLICAZIONI
<b>R-1348</b>	ATE		ANTERIORE	60%	AUDI
CODICE COMPONENTI	N°	L(mm)	SERIE		
*	*	*	2 PEZZI TIPO A		
M0284	1	*	1 PEZZO TIPO B		
M0284+F3168	1+1	280	1 PEZZO TIPO C		
*	*	*	*		
CODICE ACCESSORI	N°	L(mm)	NOTE		
*	*	*			
*	*	*			
*	*	*			
*	*	*			



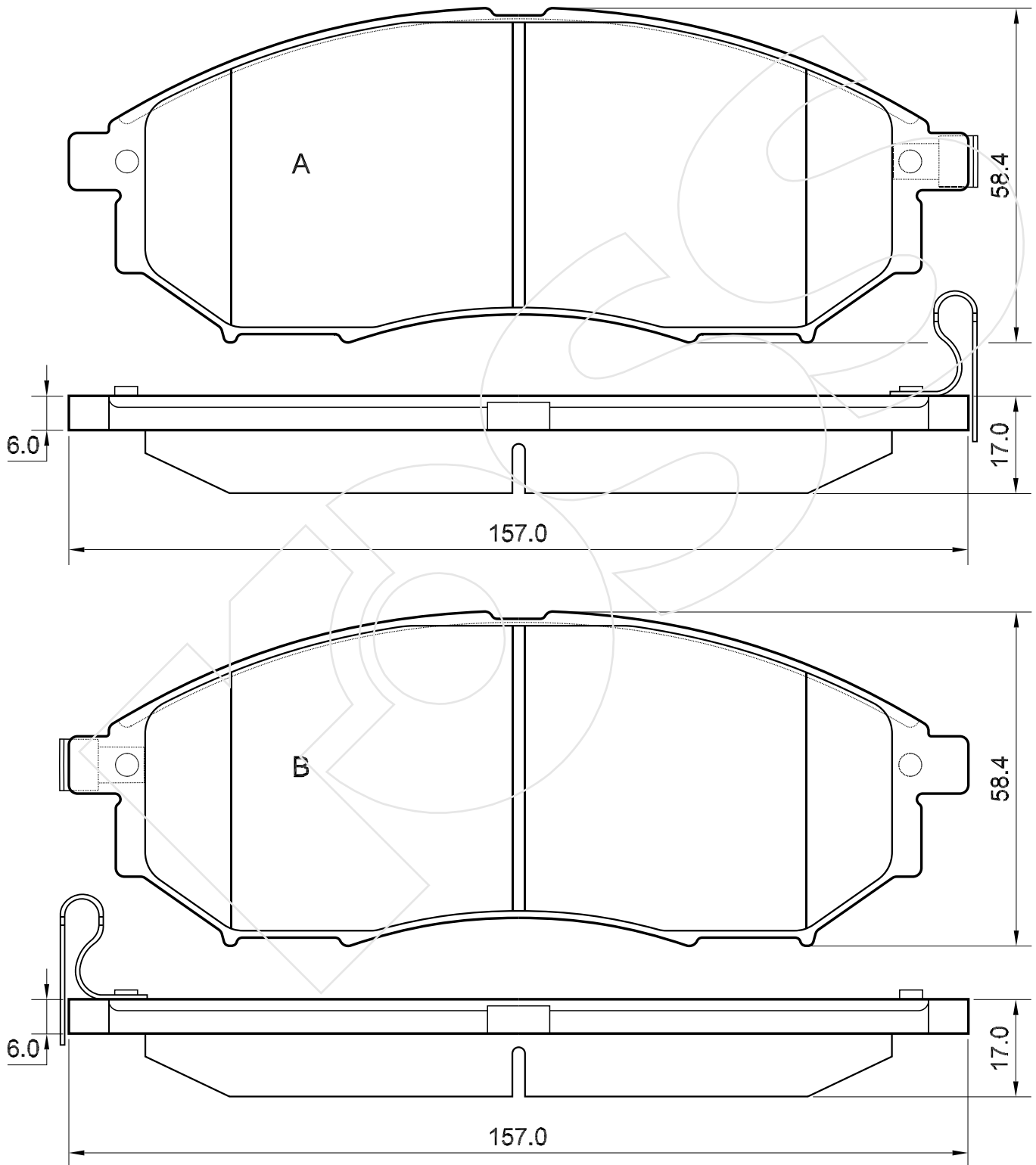
Reference in this Catalogue to other manufactures and to part numbers and other descriptions are for identification purposes only, because the above DISC BRAKE PADS are NOT ORIGINAL but with these interchangeable.

CODICE	IMPIANTO		ASSE	SCALA	APPLICAZIONI
<b>R-1349</b>	LUCAS		POSTERIORE	1:1	AUDI
CODICE COMPONENTI	N°	L(mm)	SERIE		
*	*	*	4 PEZZI		
*	*	*	*		
*	*	*	*		
*	*	*	*		
CODICE ACCESSORI	N°	L(mm)	NOTE		
*	*	*	*		
*	*	*	*		
*	*	*	*		
*	*	*	*		



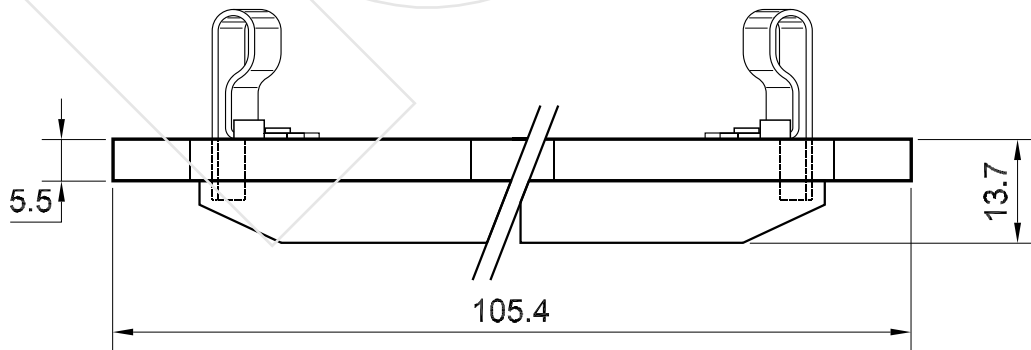
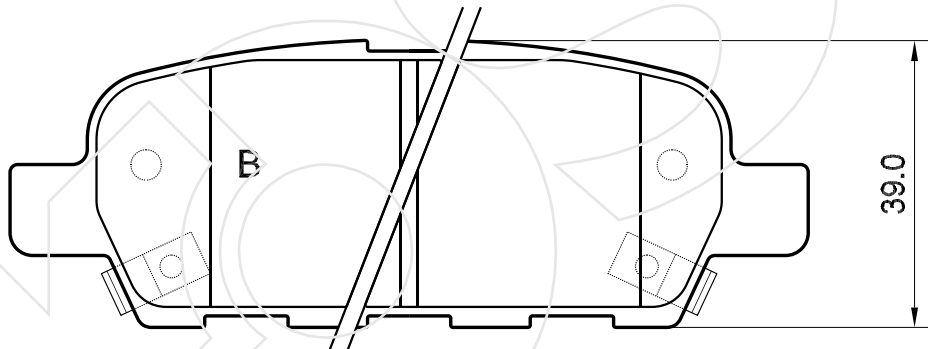
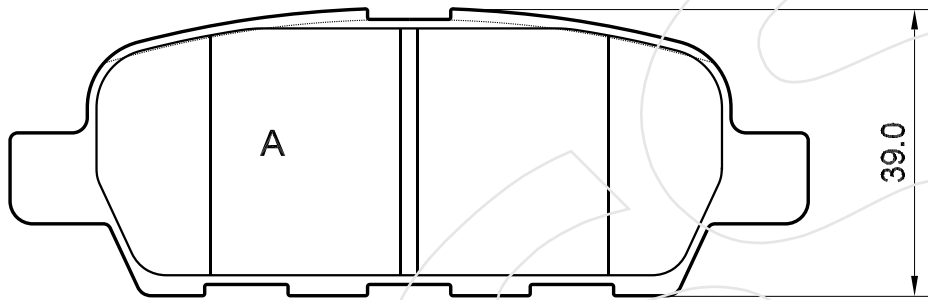
Reference in this Catalogue to other manufactures and to part numbers and other descriptions are for identification purposes only, because the above DISC BRAKE PADS are NOT ORIGINAL but with these interchangeable.

CODICE	IMPIANTO		ASSE	SCALA	APPLICAZIONI
<b>R-1350</b>	SUMITOMO		ANTERIORE	1:1	NISSAN RENAULT
CODICE COMPONENTI	N°	L(mm)	SERIE		
M0074	2	*	2 PEZZI TIPO A		
M0074	2	*	2 PEZZI TIPO B		
*	*	*	*		
*	*	*	*		
CODICE ACCESSORI	N°	L(mm)	NOTE		
*	*	*			
*	*	*			
*	*	*			
*	*	*			



Reference in this Catalogue to other manufactures and to part numbers and other descriptions are for identification purposes only, because the above DISC BRAKE PADS are NOT ORIGINAL but with these interchangeable.

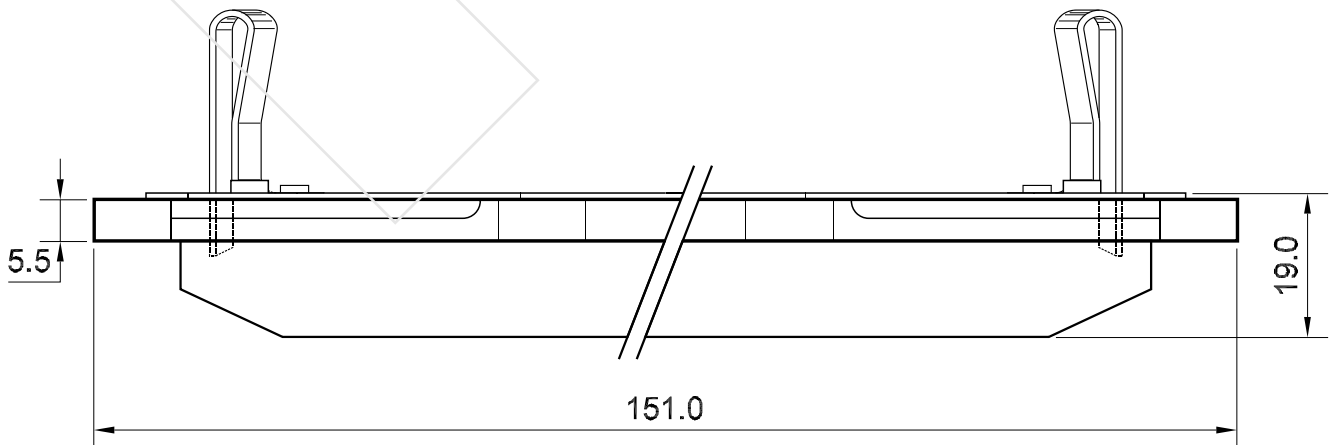
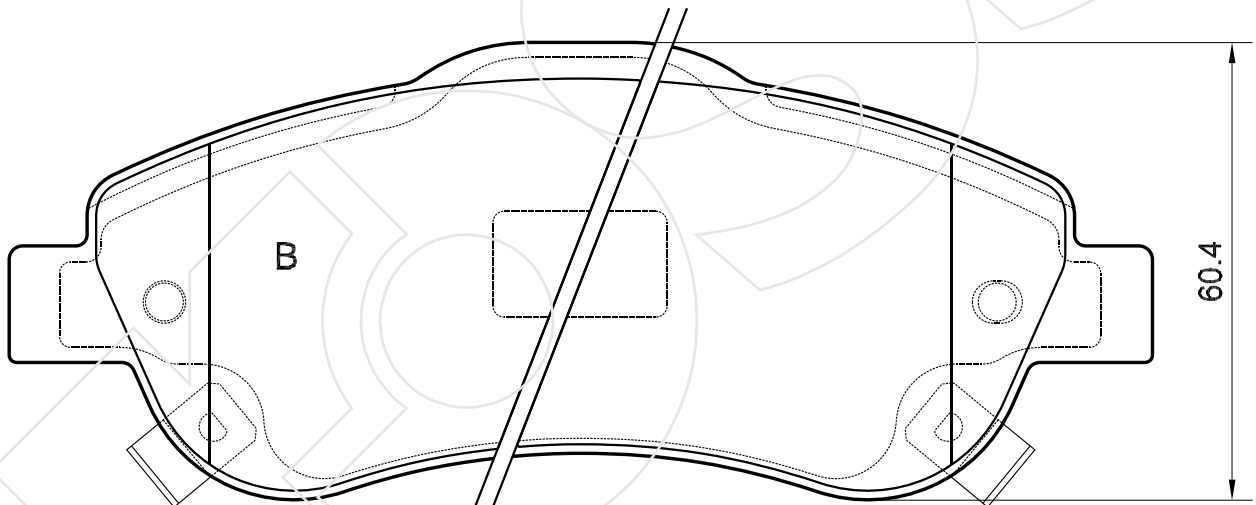
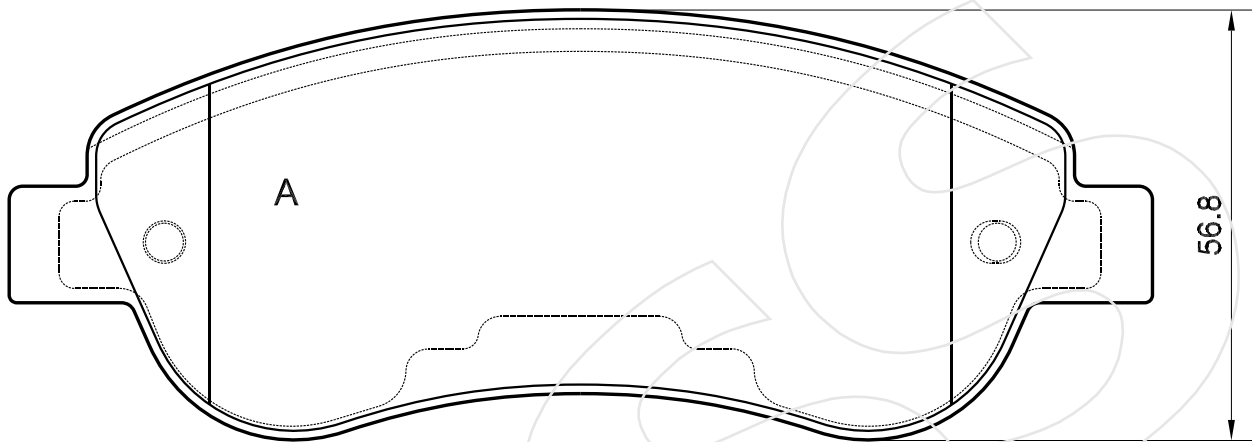
CODICE	IMPIANTO		ASSE	SCALA	APPLICAZIONI
<b>R-1351</b>	AKEBONO		POSTERIORE	1:1	NISSAN RENAULT
CODICE COMPONENTI	N°	L(mm)	SERIE		
*	*	*	2 PEZZI TIPO A		
M0069	2	*	2 PEZZI TIPO B		
*	*	*	*		
*	*	*	*		
CODICE ACCESSORI	N°	L(mm)	NOTE		
*	*	*			
*	*	*			
*	*	*			
*	*	*			



Reference in this Catalogue to other manufactures and to part numbers and other descriptions are for identification purposes only, because the above DISC BRAKE PADS are NOT ORIGINAL but with these interchangeable.

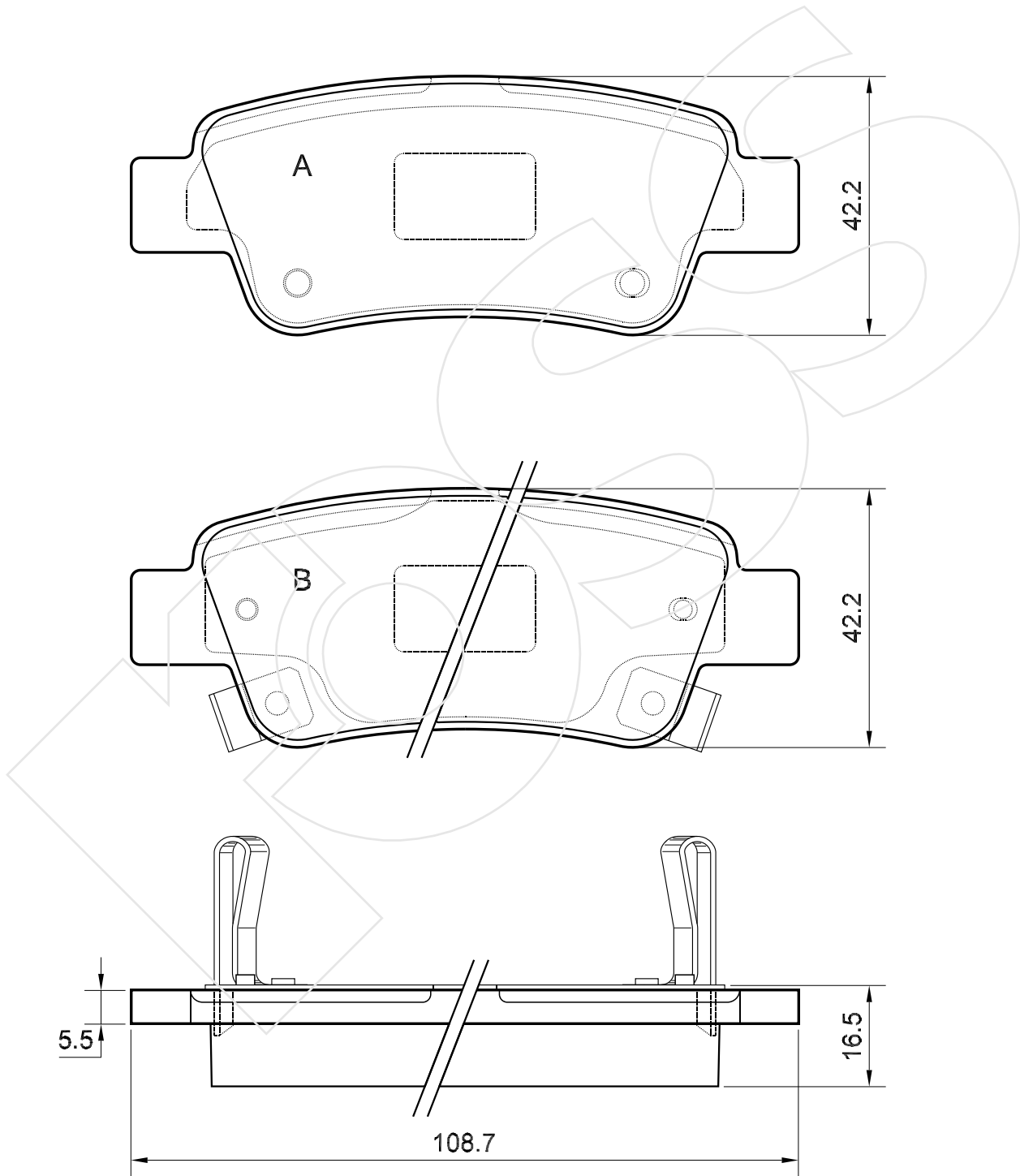


CODICE	IMPIANTO		ASSE	SCALA	APPLICAZIONI
<b>R-1352</b>	BOSCH		ANTERIORE	1:1	HONDA
CODICE COMPONENTI	N°	L(mm)	SERIE		
A068	2	*	2 PEZZI TIPO A		
M0000+A069	2+2	*	2 PEZZI TIPO B		
*	*	*	*		
*	*	*	*		
CODICE ACCESSORI	N°	L(mm)	NOTE		
*	*	*			
*	*	*			
*	*	*			
*	*	*			



Reference in this Catalogue to other manufactures and to part numbers and other descriptions are for identification purposes only, because the above DISC BRAKE PADS are NOT ORIGINAL but with these interchangeable.

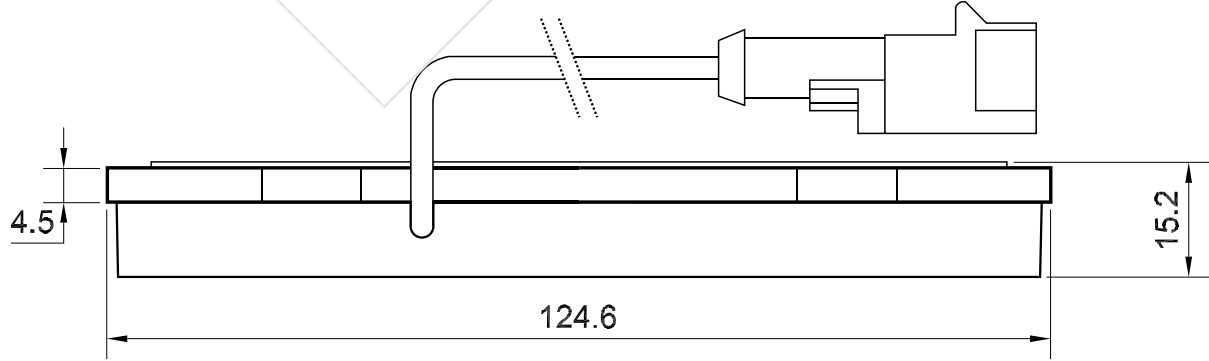
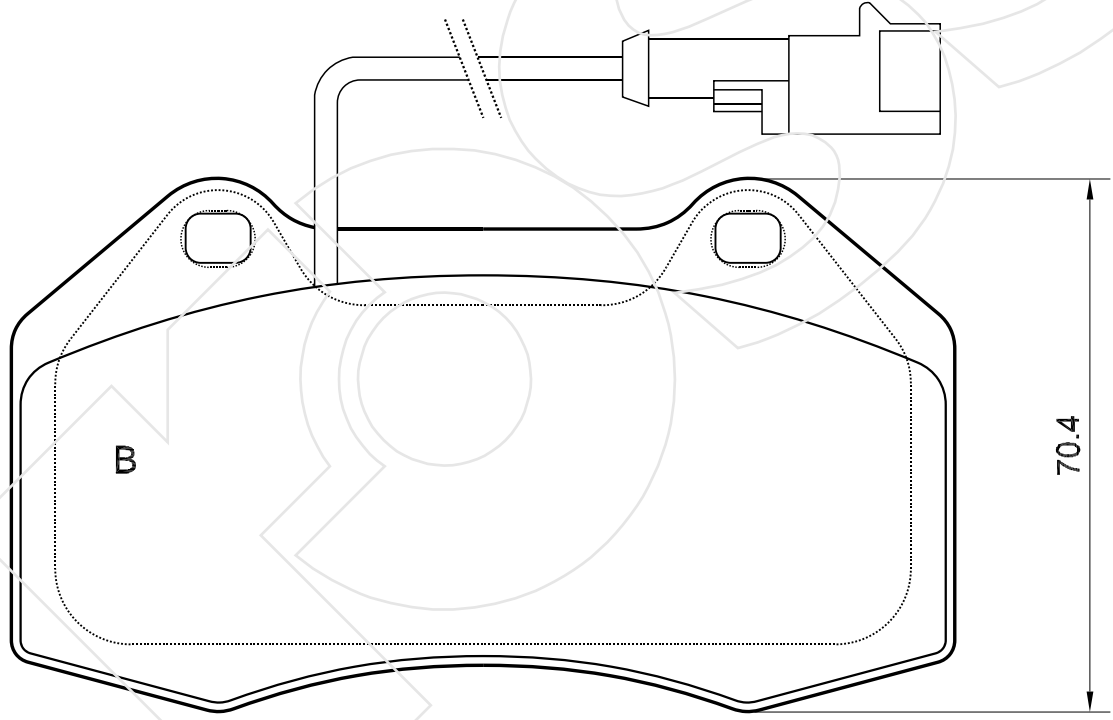
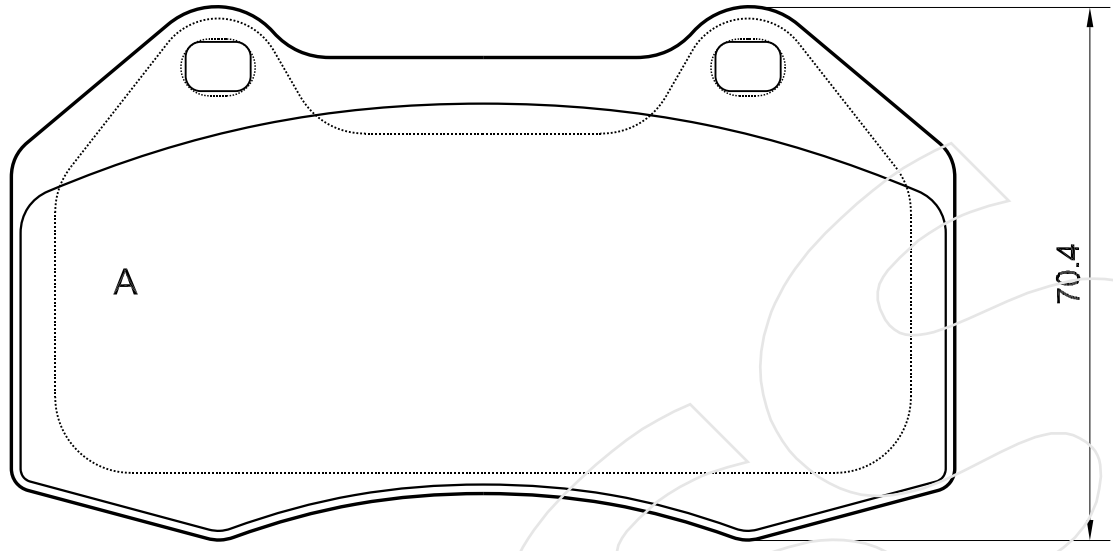
CODICE	IMPIANTO		ASSE	SCALA	APPLICAZIONI
<b>R-1353</b>	BOSCH		POSTERIORE	1:1	HONDA
CODICE COMPONENTI	N°	L(mm)	SERIE		
A073	2	*	2 PEZZI TIPO A		
M0000+A074	2+2	*	2 PEZZI TIPO B		
*	*	*	*		
*	*	*	*		
CODICE ACCESSORI	N°	L(mm)	NOTE		
*	*	*			
*	*	*			
*	*	*			
*	*	*			



Reference in this Catalogue to other manufactures and to part numbers and other descriptions are for identification purposes only, because the above DISC BRAKE PADS are NOT ORIGINAL but with these interchangeable.

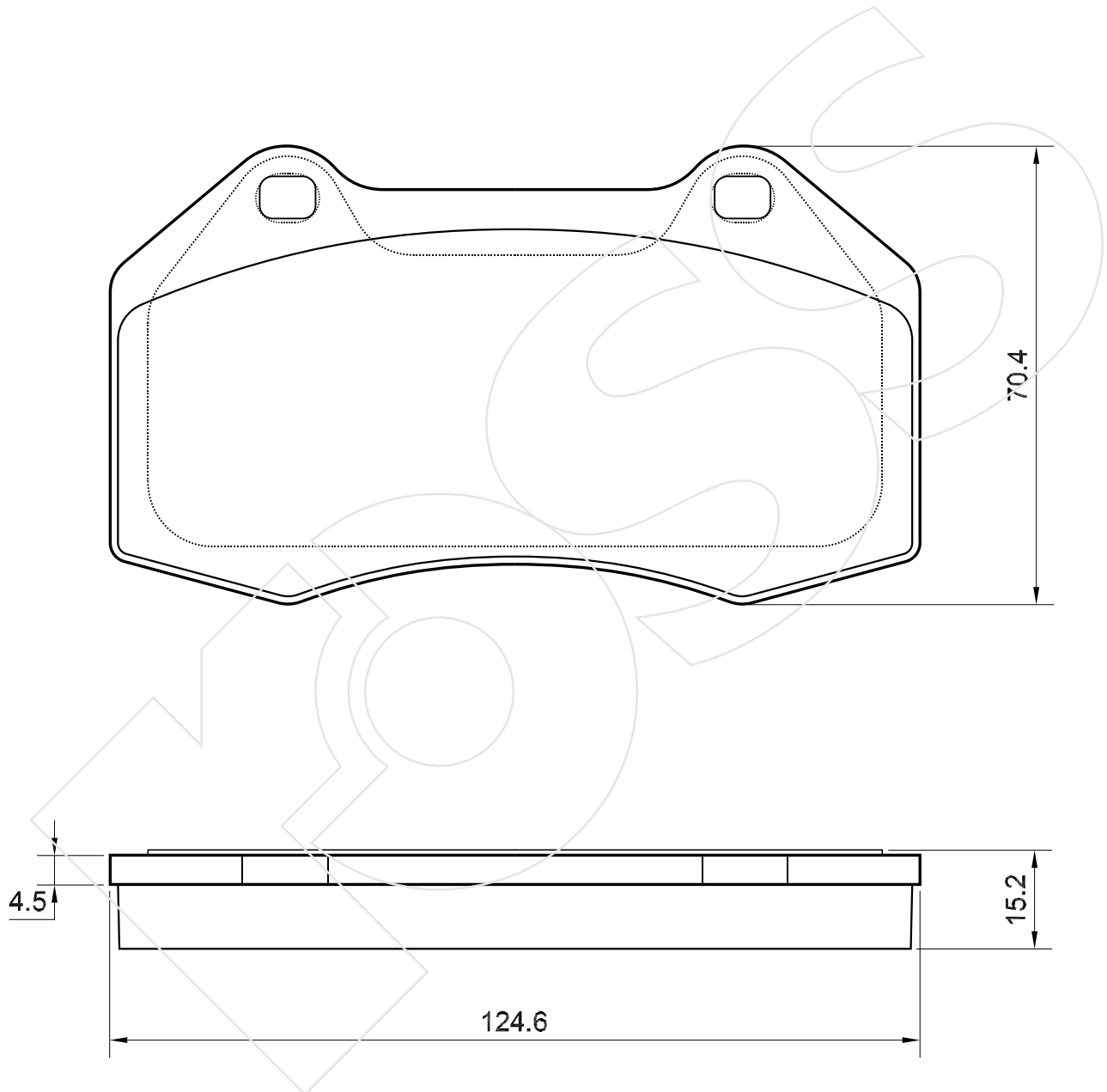
CODICE	IMPIANTO		ASSE	SCALA	APPLICAZIONI
<b>R-1354</b>	BREMBO		ANTERIORE	1:1	FIAT
CODICE COMPONENTI	N°	L(mm)	SERIE		
A079	3	*	3 PEZZI TIPO A		
A079 + F3019	1+1	190	1 PEZZI TIPO B		
*	*	*	*		
*	*	*	*		
CODICE ACCESSORI	N°	L(mm)	NOTE		
*	*	*			
*	*	*			
*	*	*			
*	*	*			

ALFA ROMEO



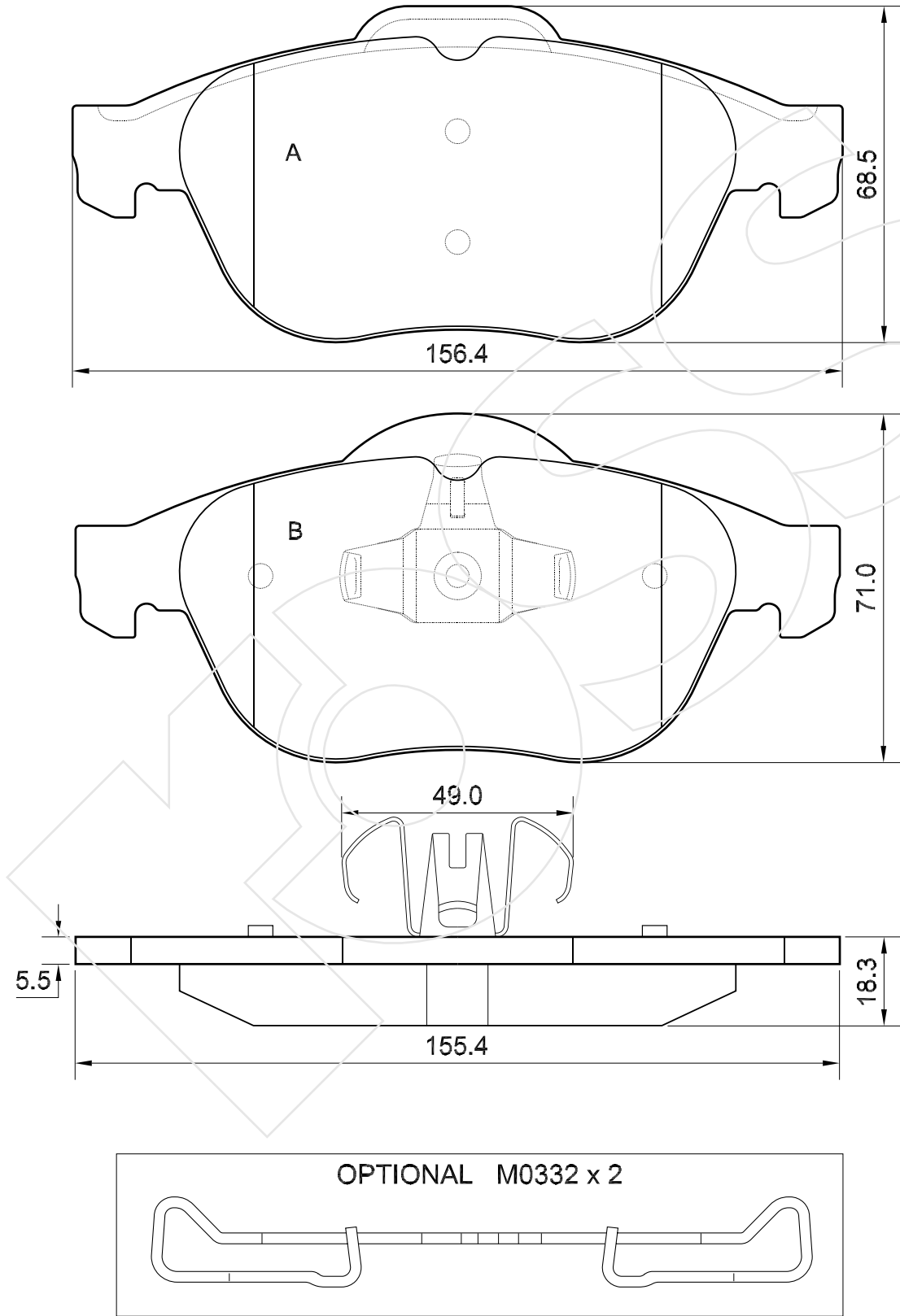
Reference in this Catalogue to other manufactures and to part numbers and other descriptions are for identification purposes only, because the above DISC BRAKE PADS are NOT ORIGINAL but with these interchangeable.

CODICE	IMPIANTO		ASSE	SCALA	APPLICAZIONI
<b>R-1355</b>	BREMBO		ANTERIORE	1:1	RENAULT
CODICE COMPONENTI	N°	L(mm)	SERIE		
A079	4	*	4 PEZZI		
*	*	*	*		
*	*	*	*		
*	*	*	*		
CODICE ACCESSORI	N°	L(mm)	NOTE		
*	*	*			
*	*	*			
*	*	*			
*	*	*			



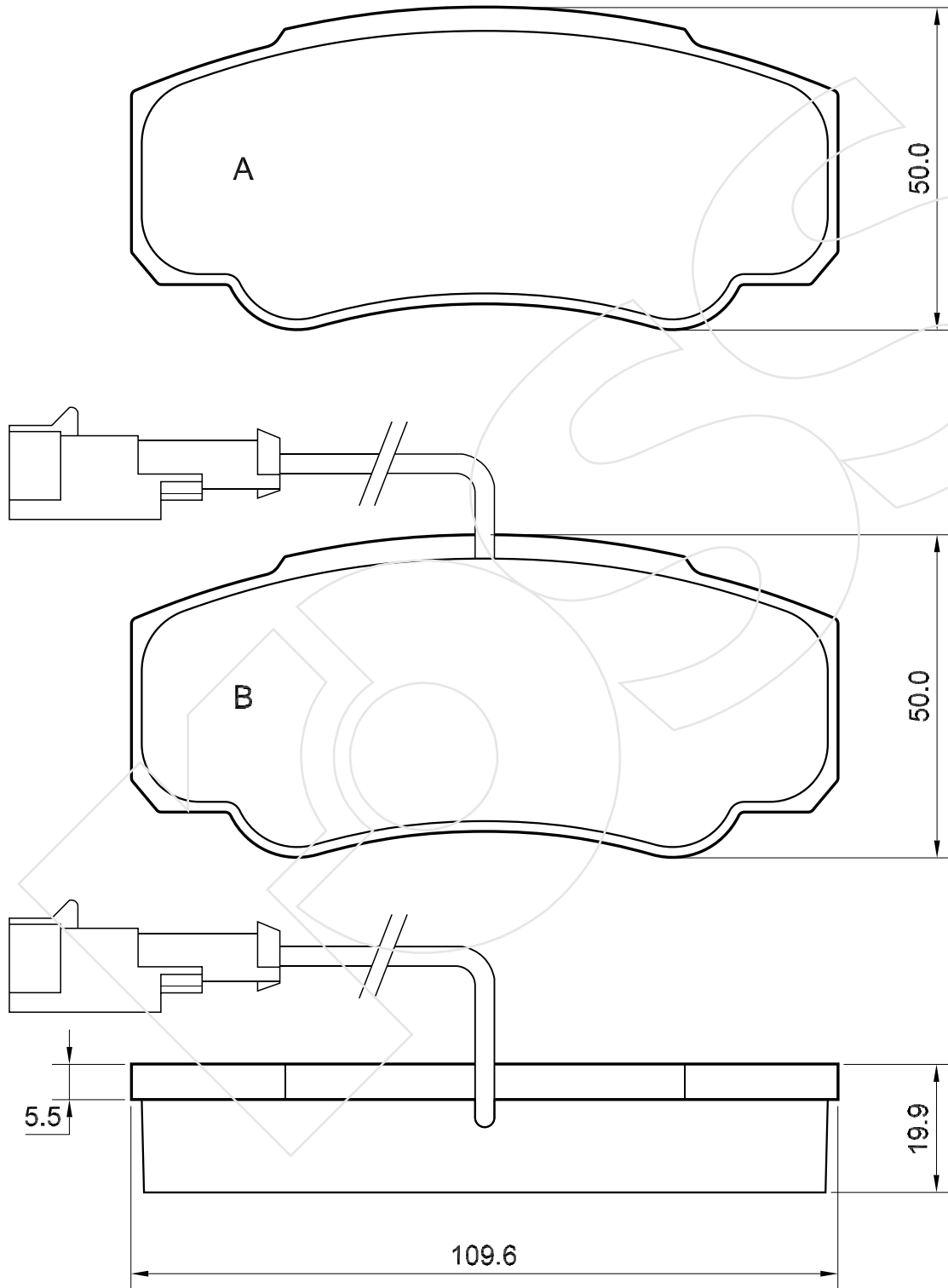
Reference in this Catalogue to other manufactures and to part numbers and other descriptions are for identification purposes only, because the above DISC BRAKE PADS are NOT ORIGINAL but with these interchangeable.

CODICE	IMPIANTO		ASSE	SCALA	APPLICAZIONI
<b>R-1356</b>	ATE		ANTERIORE	70%	RENAULT
CODICE COMPONENTI	N°	L(mm)	SERIE		
*	*	*	2 PEZZI TIPO A		
M0331	2	*	2 PEZZI TIPO B		
*	*	*	*		
*	*	*	*		
CODICE ACCESSORI	N°	L(mm)	NOTE		
M0332	2	*			
*	*	*			
*	*	*			
*	*	*			



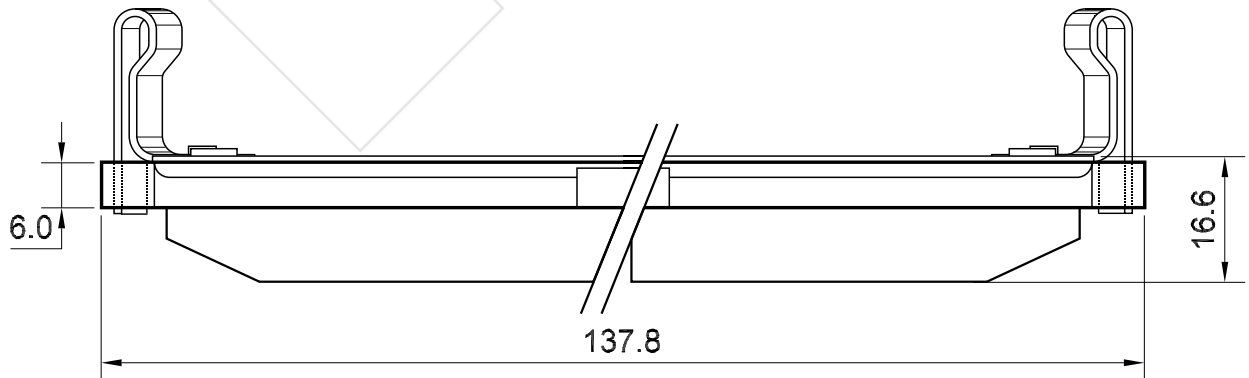
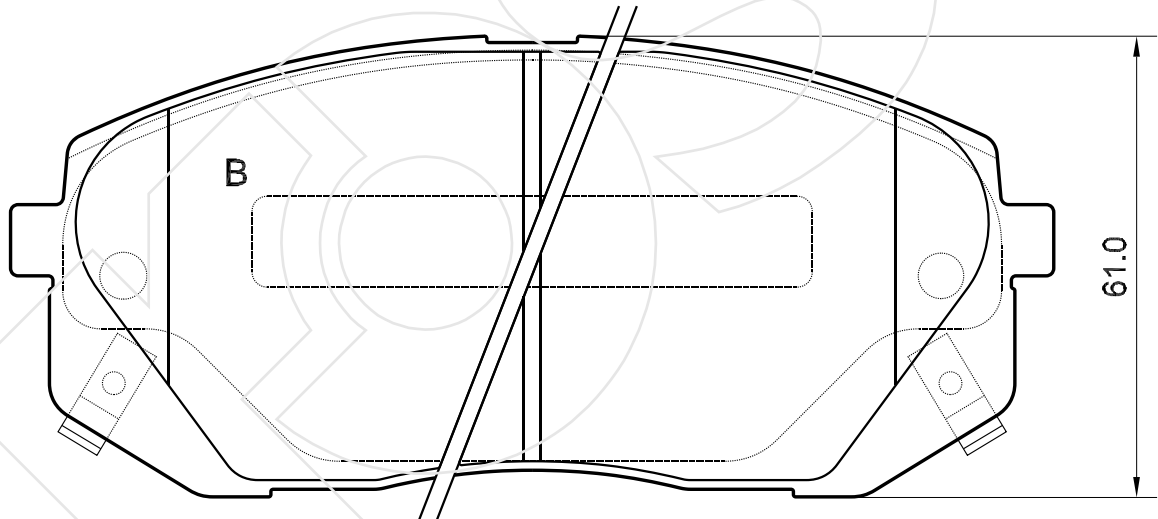
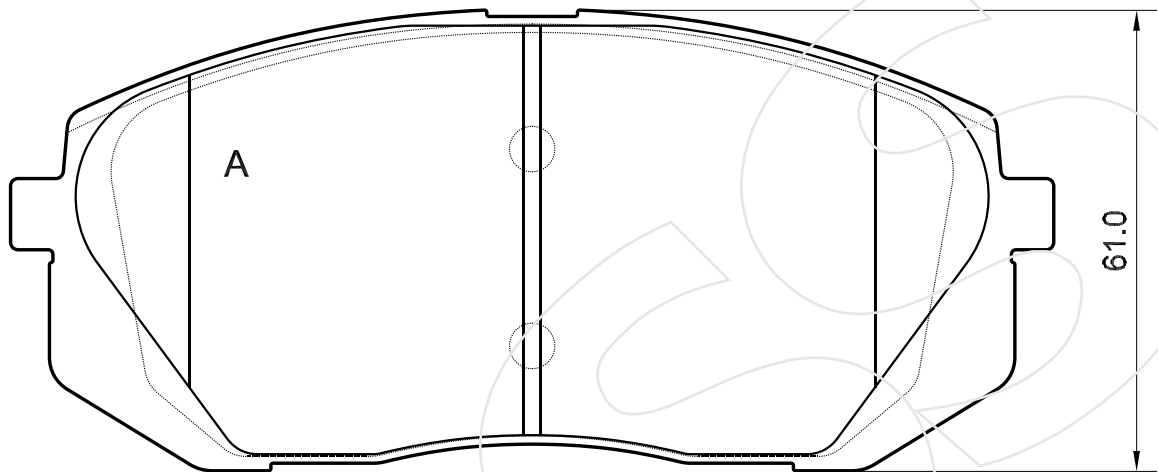
Reference in this Catalogue to other manufactures and to part numbers and other descriptions are for identification purposes only, because the above DISC BRAKE PADS are NOT ORIGINAL but with these interchangeable.

CODICE	IMPIANTO		ASSE	SCALA	APPLICAZIONI
<b>R-1357</b>	BREMBO		POSTERIORE	1:1	NISSAN
CODICE COMPONENTI	N°	L(mm)	SERIE		RENAULT
*	*	*	2 PEZZI TIPO A		
F3164	2	255	2 PEZZI TIPO B		
*	*	*	*		
*	*	*	*		
CODICE ACCESSORI	N°	L(mm)	NOTE		
*	*	*			
*	*	*			
*	*	*			
*	*	*			



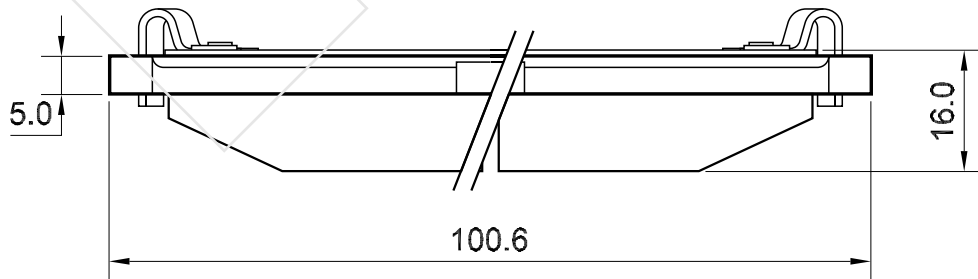
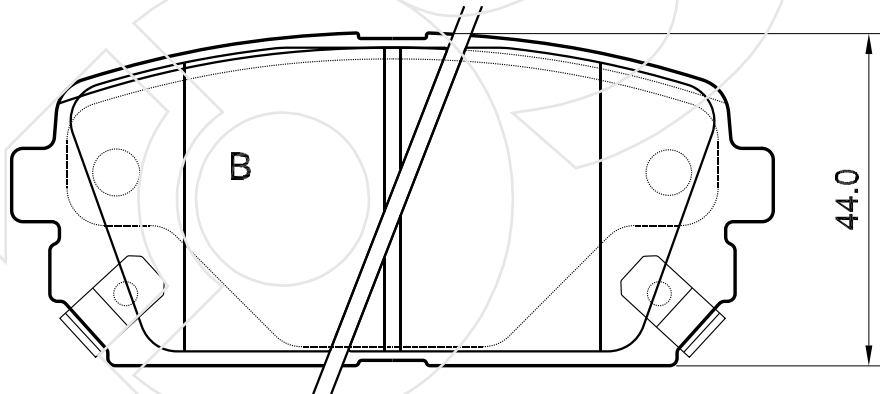
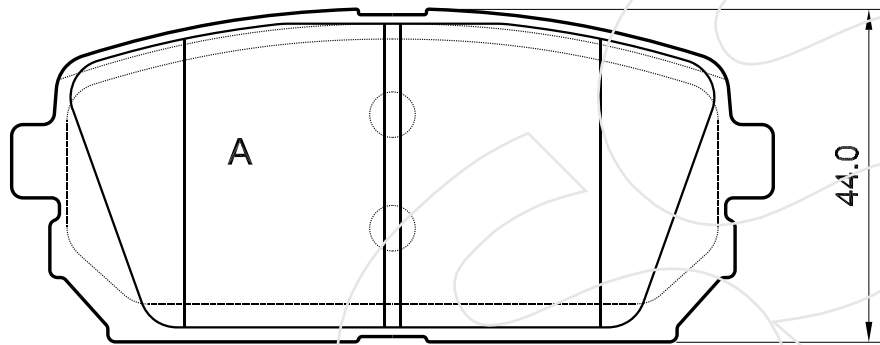
Reference in this Catalogue to other manufactures and to part numbers and other descriptions are for identification purposes only, because the above DISC BRAKE PADS are NOT ORIGINAL but with these interchangeable.

CODICE	IMPIANTO		ASSE	SCALA	APPLICAZIONI
<b>R-1358</b>	MANDO		ANTERIORE	1:1	KIA
CODICE COMPONENTI	N°	L(mm)	SERIE		
A080	2	*	2 PEZZI TIPO A		
M0289+A081	2+2	*	2 PEZZI TIPO B		
*	*	*	*		
*	*	*	*		
CODICE ACCESSORI	N°	L(mm)	NOTE		
*	*	*			
*	*	*			
*	*	*			
*	*	*			



Reference in this Catalogue to other manufactures and to part numbers and other descriptions are for identification purposes only, because the above DISC BRAKE PADS are NOT ORIGINAL but with these interchangeable.

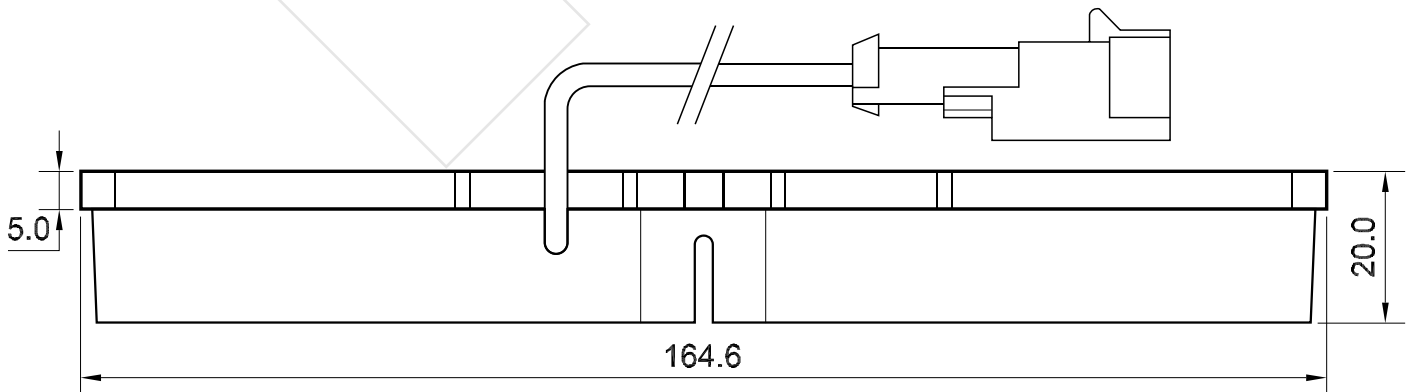
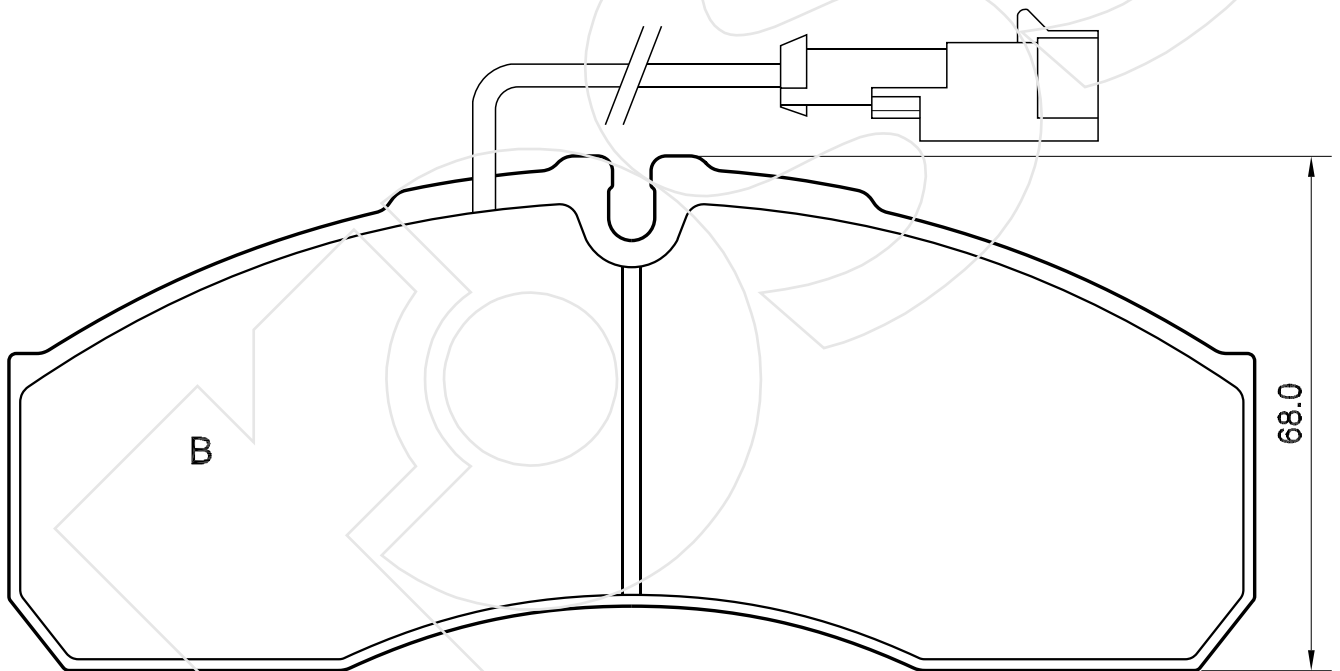
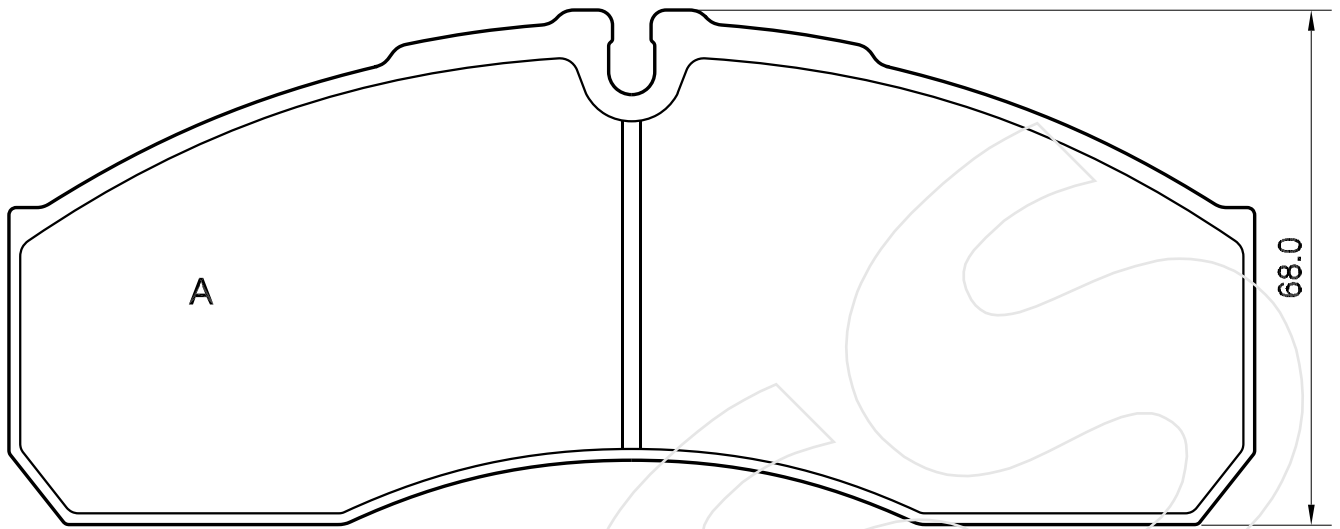
CODICE	IMPIANTO		ASSE	SCALA	APPLICAZIONI
<b>R-1359</b>	MANDO		POSTERIORE	1:1	KIA
CODICE COMPONENTI	N°	L(mm)	SERIE		
A082	2	*	2 PEZZI TIPO A		
M0000+A083	2+2	*	2 PEZZI TIPO B		
*	*	*	*		
*	*	*	*		
CODICE ACCESSORI	N°	L(mm)	NOTE		
*	*	*			
*	*	*			
*	*	*			
*	*	*			



Reference in this Catalogue to other manufactures and to part numbers and other descriptions are for identification purposes only, because the above DISC BRAKE PADS are NOT ORIGINAL but with these interchangeable.

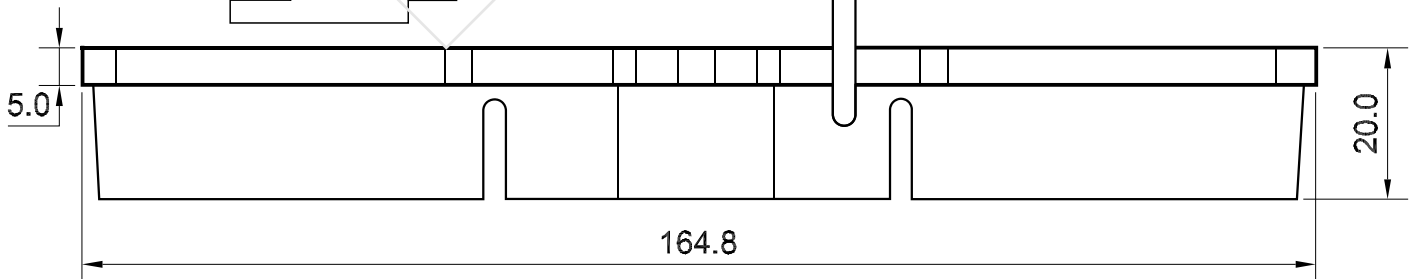
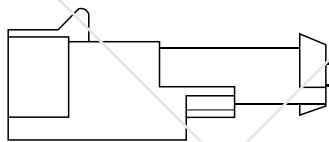
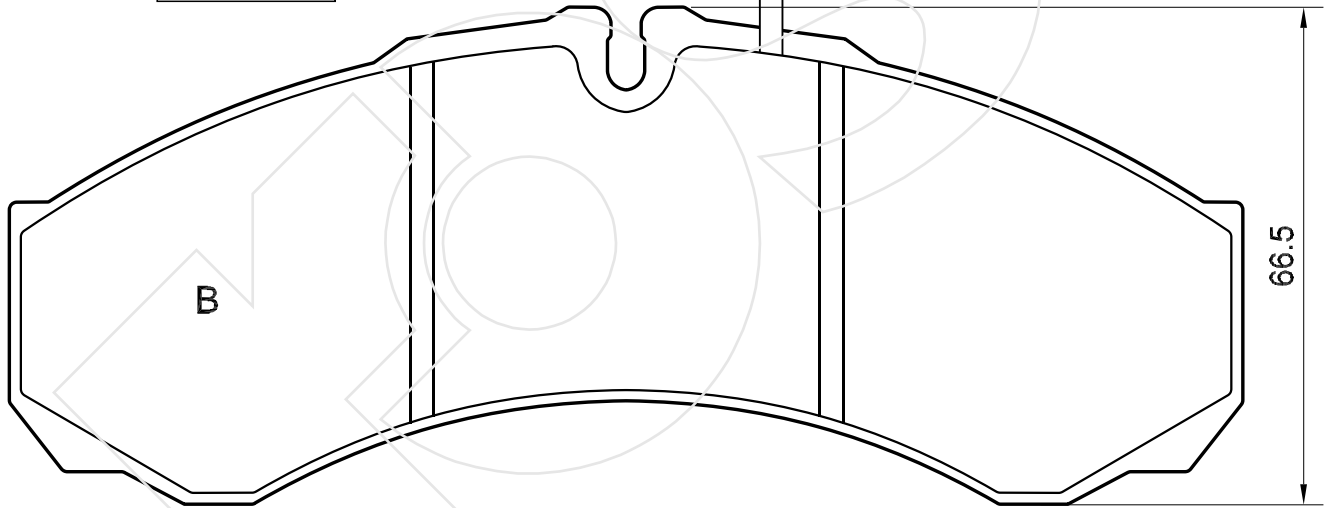
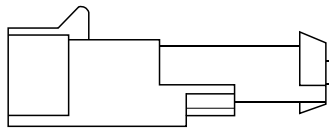
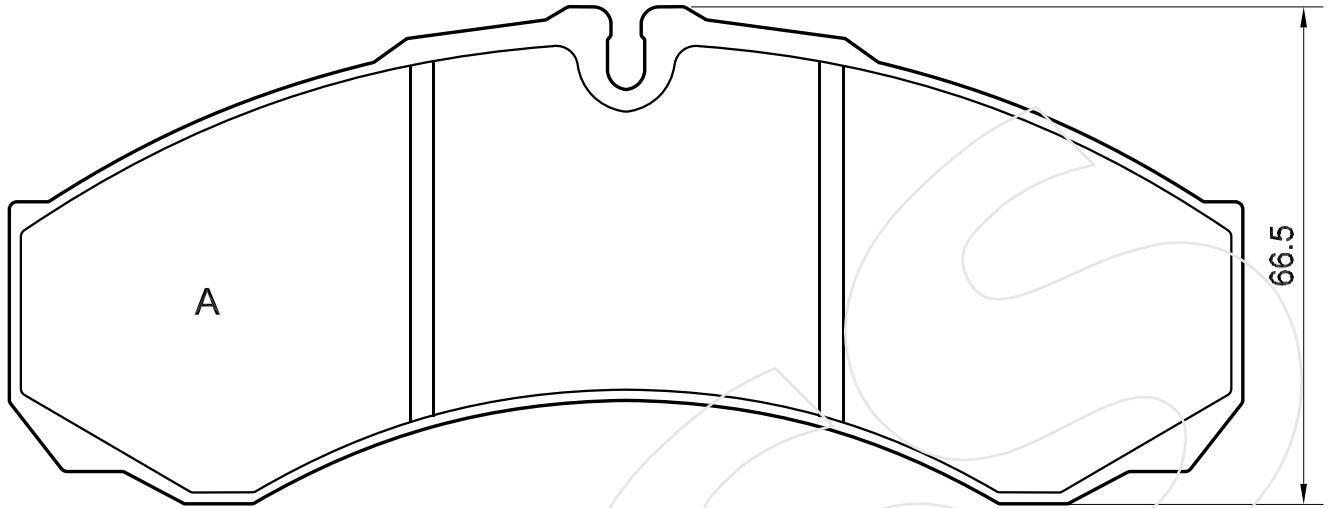


CODICE	IMPIANTO		ASSE	SCALA	APPLICAZIONI
<b>R-1360</b>	BREMBO		ANTERIORE	1:1	NISSAN
CODICE COMPONENTI	N°	L(mm)	SERIE		RENAULT
*	*	*	2 PEZZI TIPO A		
F3164	2	255	2 PEZZI TIPO B		
*	*	*	*		
*	*	*	*		
CODICE ACCESSORI	N°	L(mm)	NOTE		
*	*	*			
*	*	*			
*	*	*			
*	*	*			



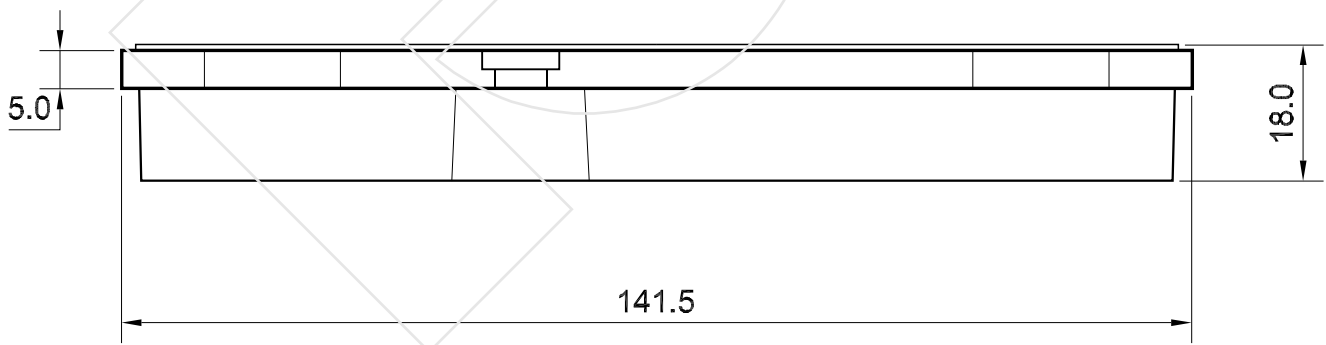
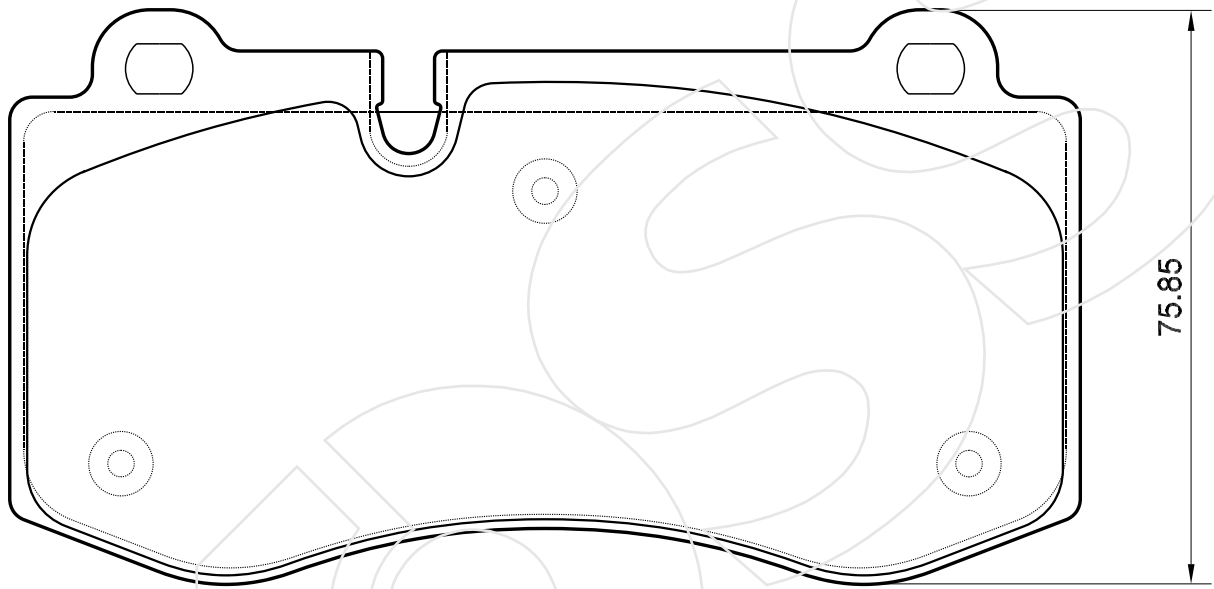
Reference in this Catalogue to other manufactures and to part numbers and other descriptions are for identification purposes only, because the above DISC BRAKE PADS are NOT ORIGINAL but with these interchangeable.

CODICE	IMPIANTO		ASSE	SCALA	APPLICAZIONI
<b>R-1361</b>	BREMBO		POSTERIORE	1:1	NISSAN RENAULT
CODICE COMPONENTI	N°	L(mm)	SERIE		
*	*	*	2 PEZZI TIPO A		
F3164	2	255	2 PEZZI TIPO B		
*	*	*	*		
*	*	*	*		
CODICE ACCESSORI	N°	L(mm)	NOTE		
*	*	*			
*	*	*			
*	*	*			
*	*	*			



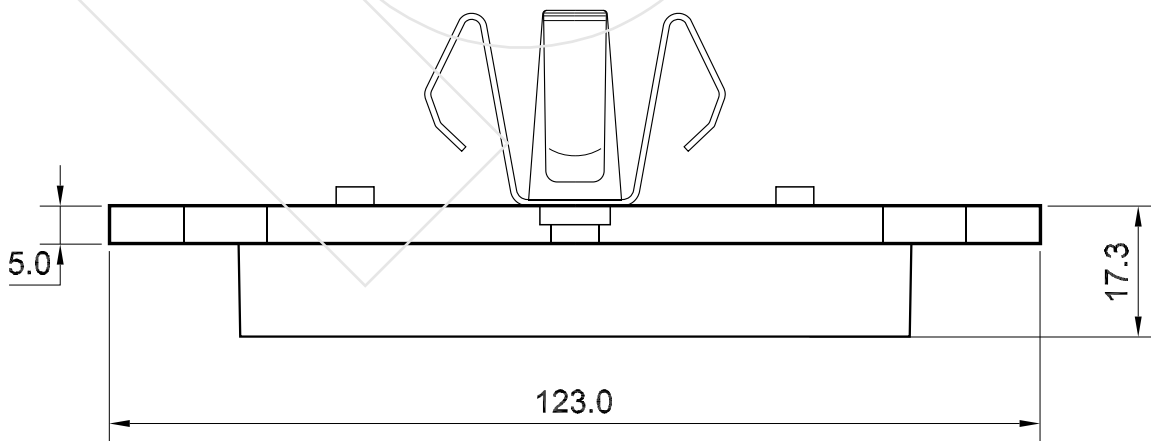
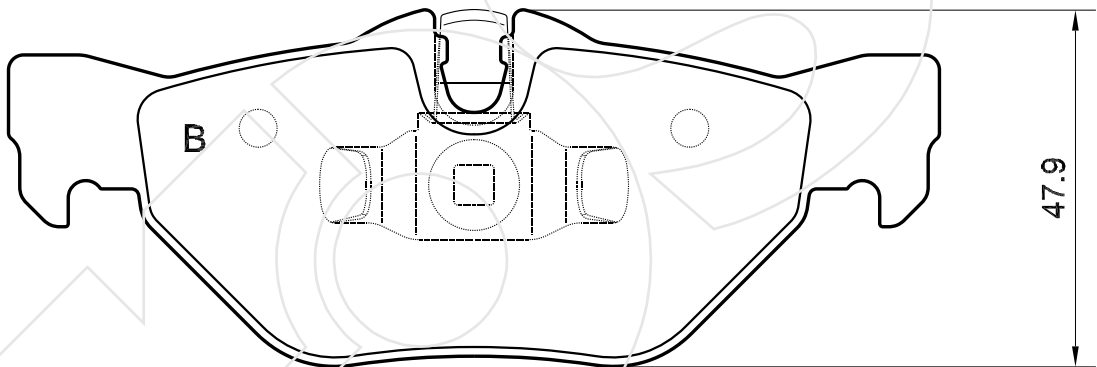
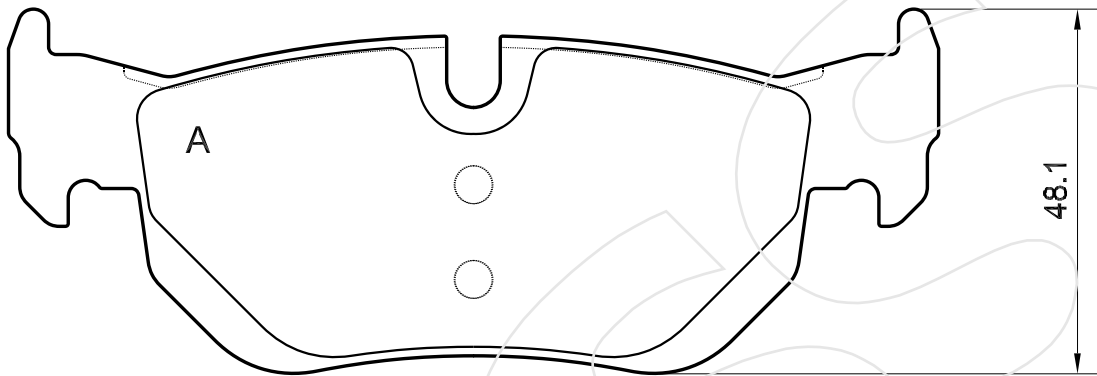
Reference in this Catalogue to other manufactures and to part numbers and other descriptions are for identification purposes only, because the above DISC BRAKE PADS are NOT ORIGINAL but with these interchangeable.

CODICE	IMPIANTO		ASSE	SCALA	APPLICAZIONI
<b>R-1362</b>	BREMBO		ANTERIORE	1:1	MERCEDES
CODICE COMPONENTI	N°	L(mm)	SERIE		
A0094	4	*	4 PEZZI		
*	*	*	*		
*	*	*	*		
*	*	*	*		
CODICE ACCESSORI	N°	L(mm)	NOTE		
*	*	*	*		
*	*	*	*		
*	*	*	*		
*	*	*	*		



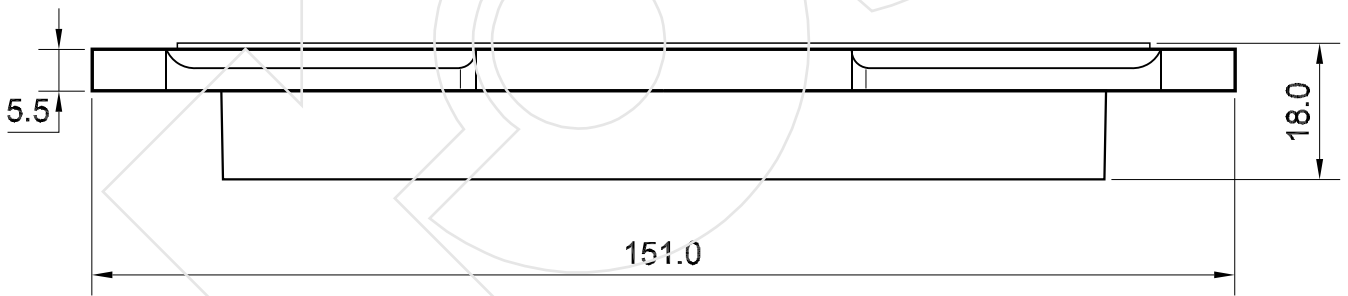
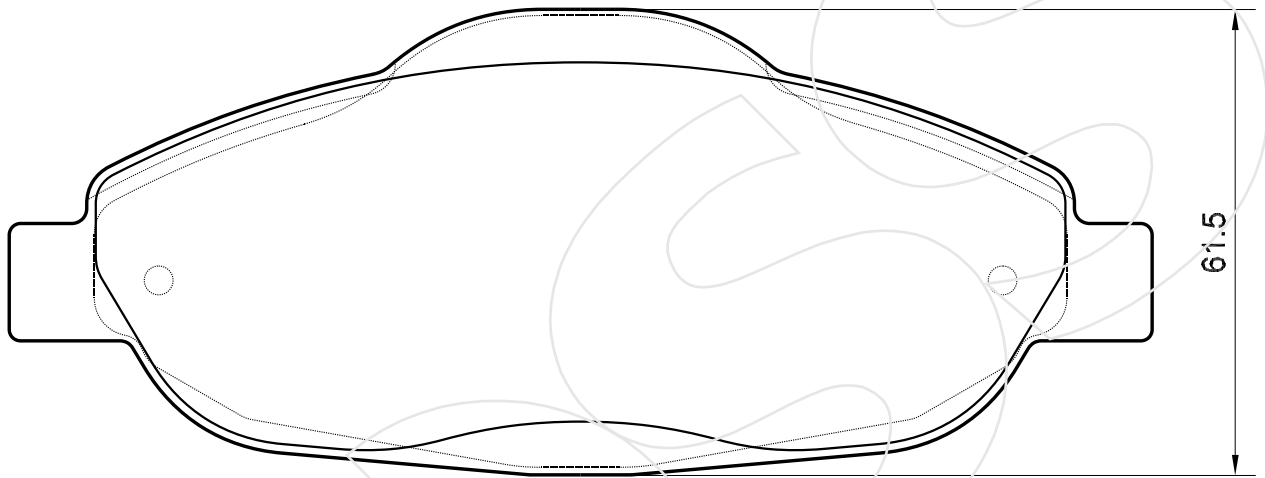
Reference in this Catalogue to other manufactures and to part numbers and other descriptions are for identification purposes only, because the above DISC BRAKE PADS are NOT ORIGINAL but with these interchangeable.

CODICE	IMPIANTO		ASSE	SCALA	APPLICAZIONI
<b>R-1363</b>	ATE		POSTERIORE	1:1	BMW
CODICE COMPONENTI	N°	L(mm)	SERIE		
*	*	*	2 PEZZI TIPO A		
M0306	2	*	2 PEZZI TIPO B		
*	*	*	*		
*	*	*	*		
CODICE ACCESSORI	N°	L(mm)	NOTE		
*	*	*			
*	*	*			
*	*	*			
*	*	*			



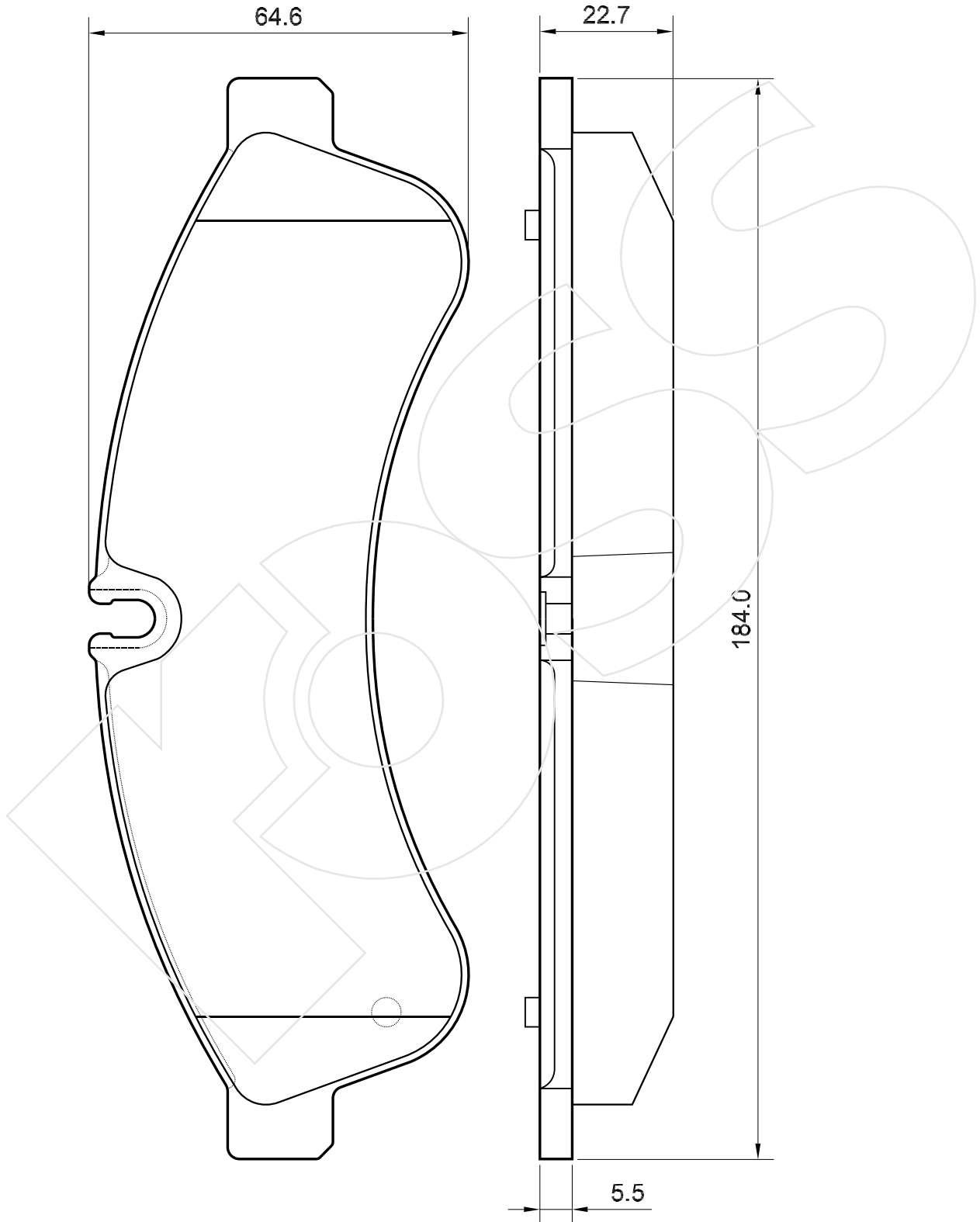
Reference in this Catalogue to other manufactures and to part numbers and other descriptions are for identification purposes only, because the above DISC BRAKE PADS are NOT ORIGINAL but with these interchangeable.

CODICE	IMPIANTO		ASSE	SCALA	APPLICAZIONI
<b>R-1364</b>	BOSCH		ANTERIORE	1:1	PEUGEOT
CODICE COMPONENTI	N°	L(mm)	SERIE		
A0103	4	*	4 PEZZI		
*	*	*	*		
*	*	*	*		
*	*	*	*		
CODICE ACCESSORI	N°	L(mm)	NOTE		
*	*	*			
*	*	*			
*	*	*			
*	*	*			



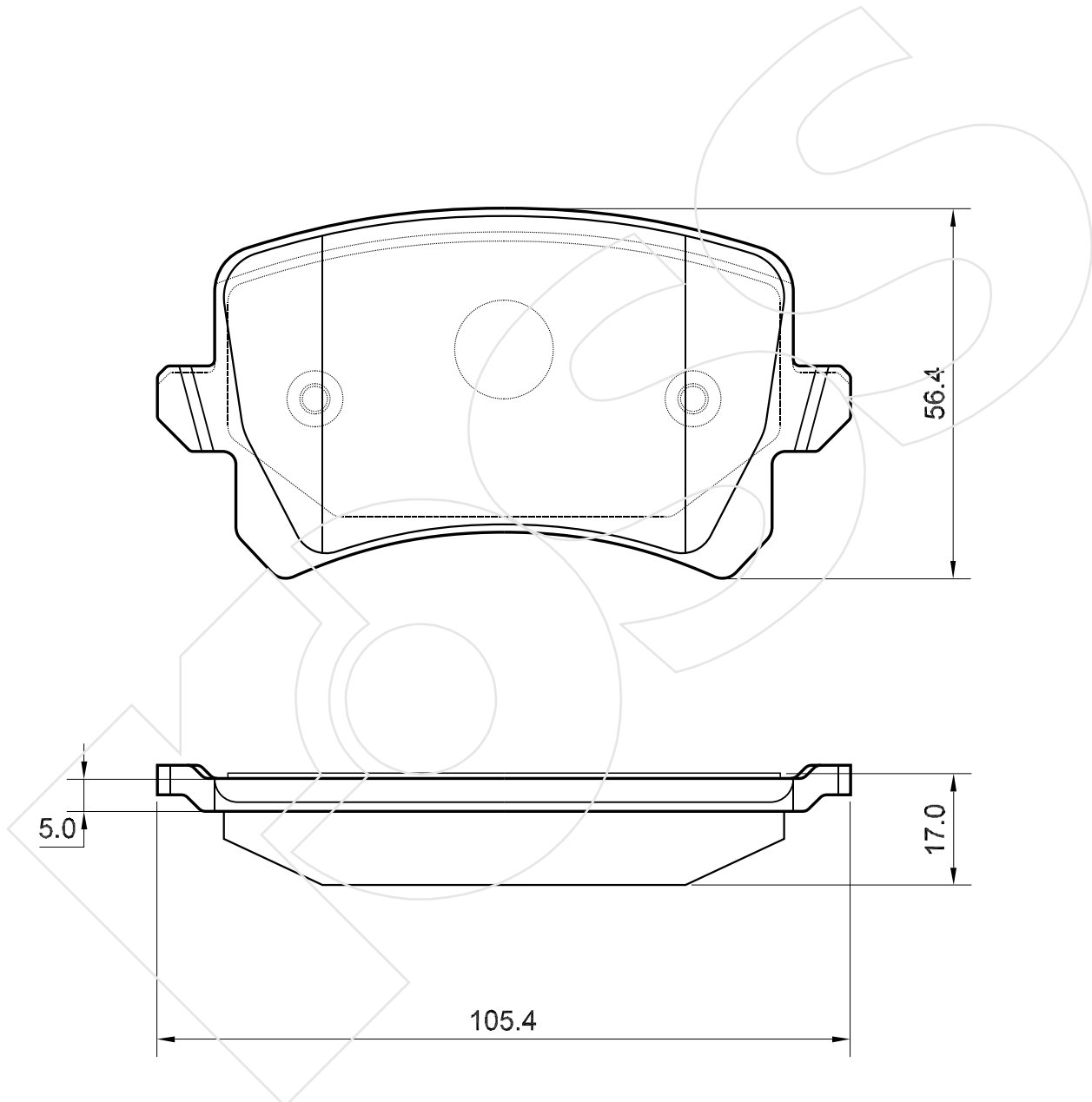
Reference in this Catalogue to other manufactures and to part numbers and other descriptions are for identification purposes only, because the above DISC BRAKE PADS are NOT ORIGINAL but with these interchangeable.

CODICE	IMPIANTO		ASSE	SCALA	APPLICAZIONI
<b>R-1365</b>	BREMBO		POSTERIORE	1:1	IVECO
CODICE COMPONENTI	N°	L(mm)	SERIE		
*	*	*	4 PEZZI		
*	*	*	*		
*	*	*	*		
*	*	*	*		
CODICE ACCESSORI	N°	L(mm)	NOTE		
*	*	*			
*	*	*			
*	*	*			
*	*	*			



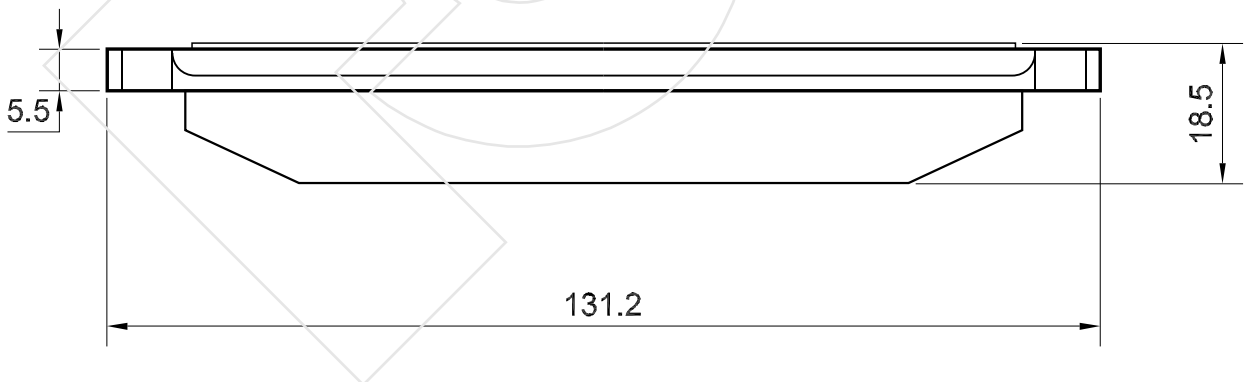
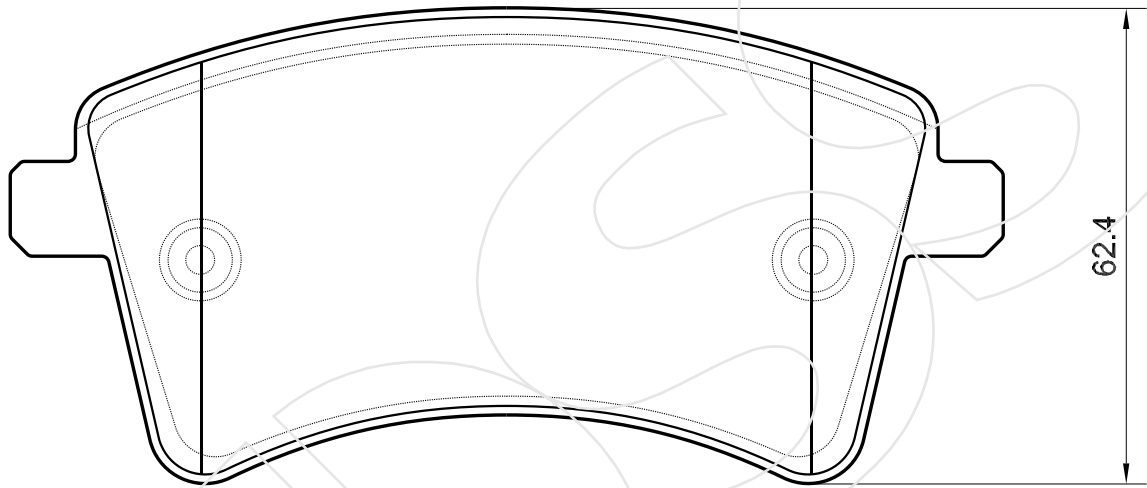
Reference in this Catalogue to other manufactures and to part numbers and other descriptions are for identification purposes only, because the above DISC BRAKE PADS are NOT ORIGINAL but with these interchangeable.

CODICE	IMPIANTO		ASSE	SCALA	APPLICAZIONI
<b>R-1366</b>	LUCAS		POSTERIORE	1:1	VOLKSWAGEN
CODICE COMPONENTI	N°	L(mm)	SERIE		
*	*	*	4 PEZZI		
*	*	*	*		
*	*	*	*		
*	*	*	*		
CODICE ACCESSORI	N°	L(mm)	NOTE		
*	*	*			
*	*	*			
*	*	*			
*	*	*			



Reference in this Catalogue to other manufactures and to part numbers and other descriptions are for identification purposes only, because the above DISC BRAKE PADS are NOT ORIGINAL but with these interchangeable.

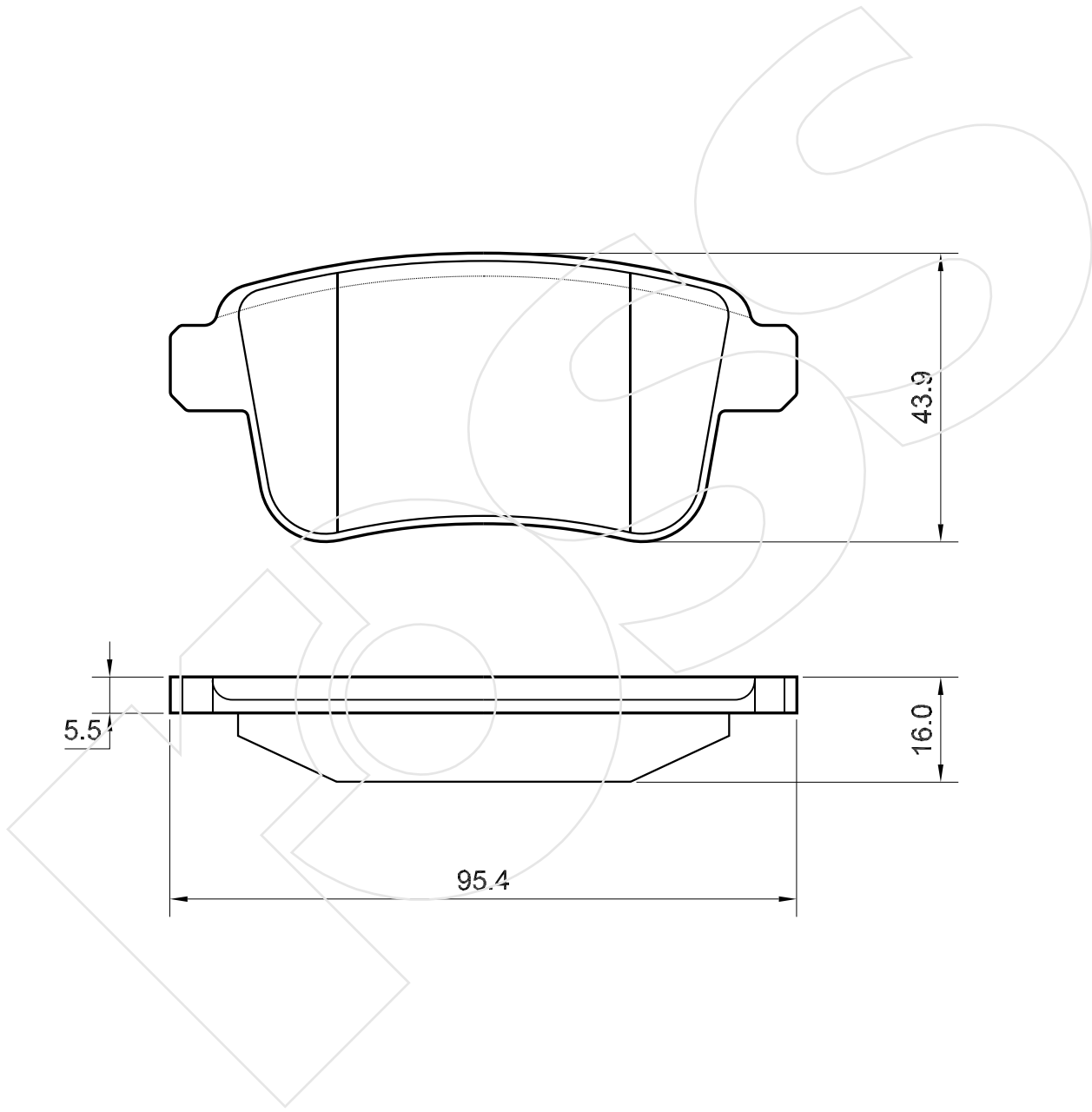
CODICE	IMPIANTO		ASSE	SCALA	APPLICAZIONI
<b>R-1367</b>	LUCAS		ANTERIORE	1:1	RENAULT
CODICE COMPONENTI	N°	L(mm)	SERIE		
*	*	*	4 PEZZI		
*	*	*	*		
*	*	*	*		
*	*	*	*		
CODICE ACCESSORI	N°	L(mm)	NOTE		
*	*	*	*		
*	*	*	*		
*	*	*	*		
*	*	*	*		



Reference in this Catalogue to other manufactures and to part numbers and other descriptions are for identification purposes only, because the above DISC BRAKE PADS are NOT ORIGINAL but with these interchangeable.

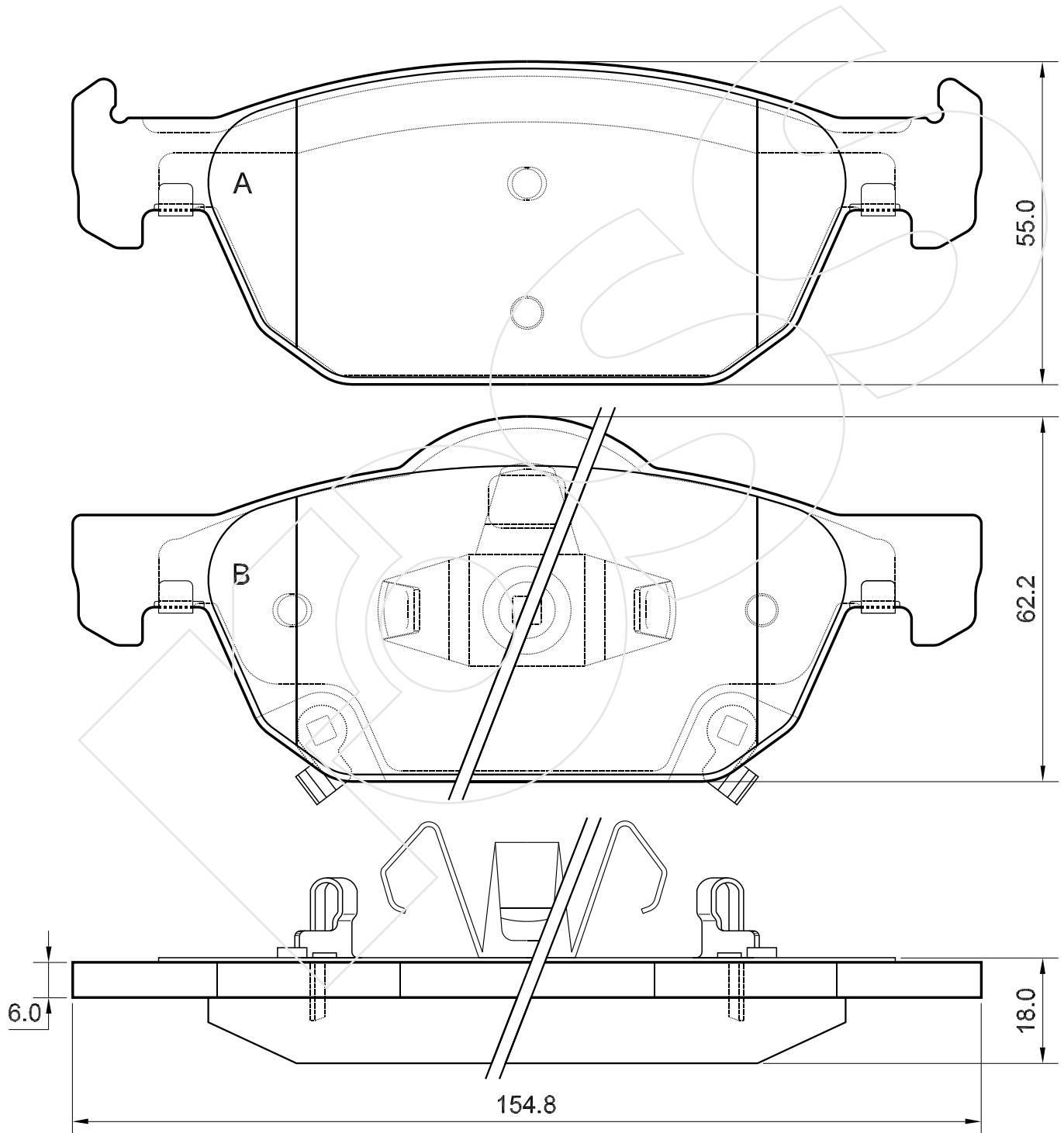


CODICE	IMPIANTO		ASSE	SCALA	APPLICAZIONI
<b>R-1368</b>	LUCAS		POSTERIORE	1:1	RENAULT
CODICE COMPONENTI	N°	L(mm)	SERIE		
*	*	*	4 PEZZI		
*	*	*	*		
*	*	*	*		
*	*	*	*		
CODICE ACCESSORI	N°	L(mm)	NOTE		
*	*	*			
*	*	*			
*	*	*			
*	*	*			



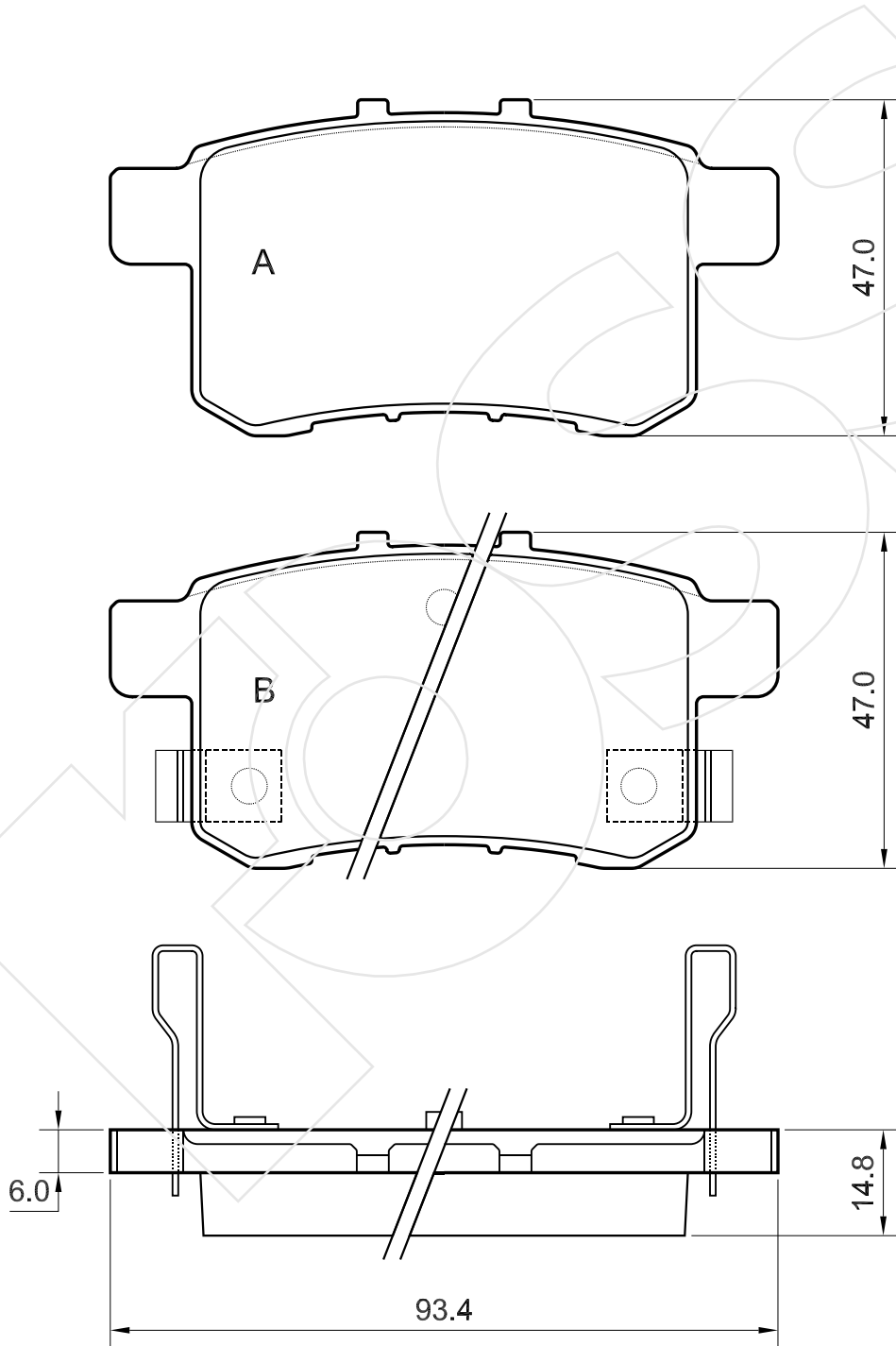
Reference in this Catalogue to other manufactures and to part numbers and other descriptions are for identification purposes only, because the above DISC BRAKE PADS are NOT ORIGINAL but with these interchangeable.

CODICE	IMPIANTO		ASSE	SCALA	APPLICAZIONI
<b>R-1369</b>	ATE		ANTERIORE	1:1	HONDA
CODICE COMPONENTI	N°	L(mm)	SERIE		
*	*	*	2 PEZZI TIPO A		
M0284+M0000	1+1	*	1 PEZZO TIPO B		
M0284+M0000	1+1	*	1 PEZZO TIPO C		
*	*	*	*		
CODICE ACCESSORI	N°	L(mm)	NOTE		
*	*	*			
*	*	*			
*	*	*			
*	*	*			



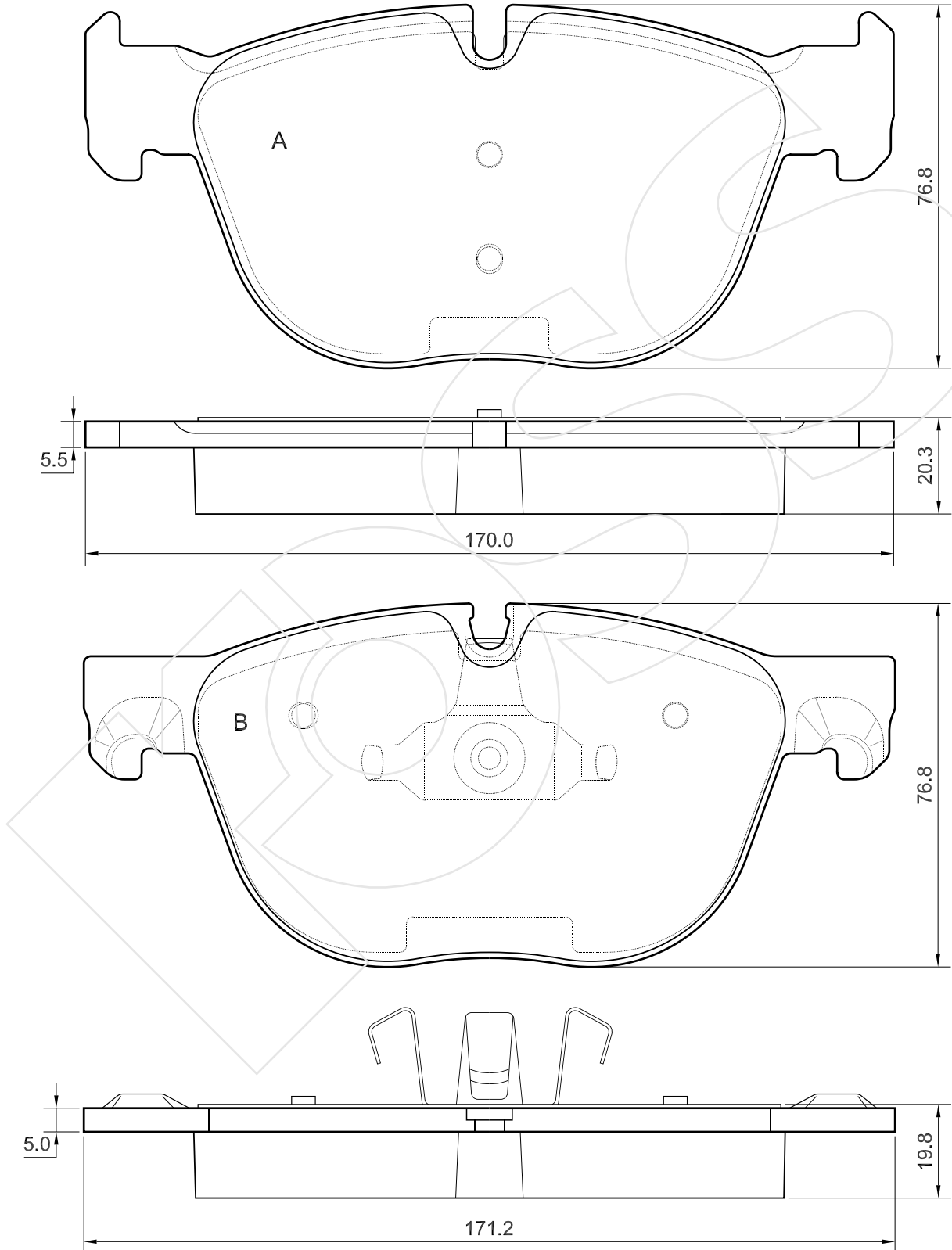
Reference in this Catalogue to other manufactures and to part numbers and other descriptions are for identification purposes only, because the above DISC BRAKE PADS are NOT ORIGINAL but with these interchangeable.

CODICE	IMPIANTO		ASSE	SCALA	APPLICAZIONI
<b>R-1370</b>	NISSIN		POSTERIORE	1:1	HONDA
CODICE COMPONENTI	N°	L(mm)	SERIE		
*	*	*	2 PEZZI TIPO A		
M0051	2	*	2 PEZZI TIPO B		
*	*	*	*		
*	*	*	*		
CODICE ACCESSORI	N°	L(mm)	NOTE		
*	*	*			
*	*	*			
*	*	*			
*	*	*			



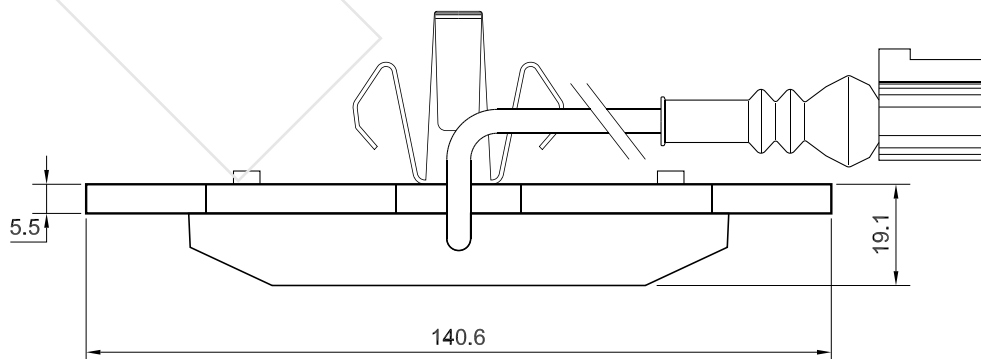
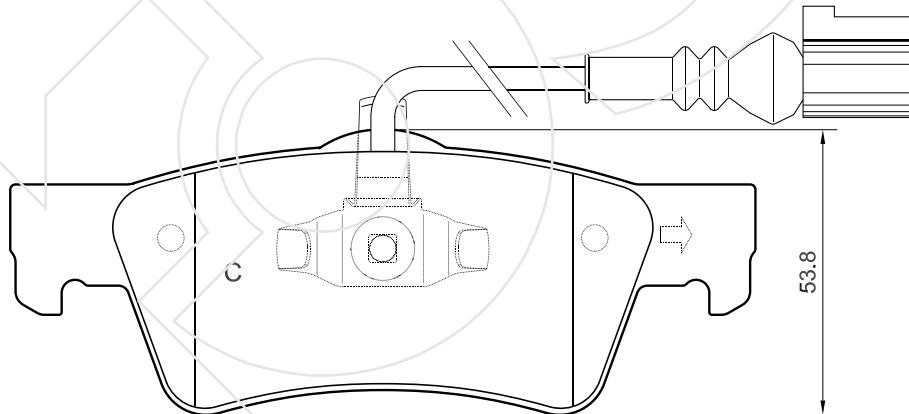
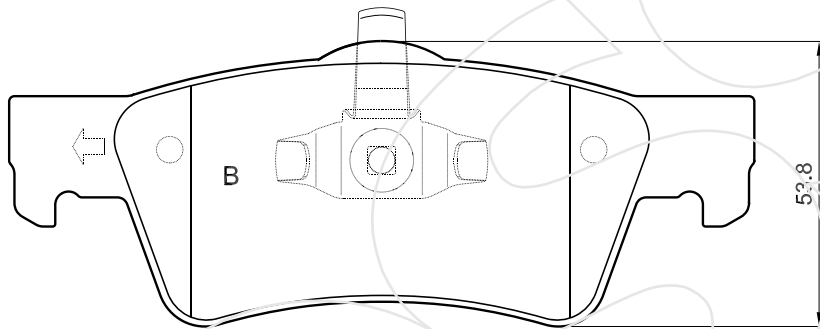
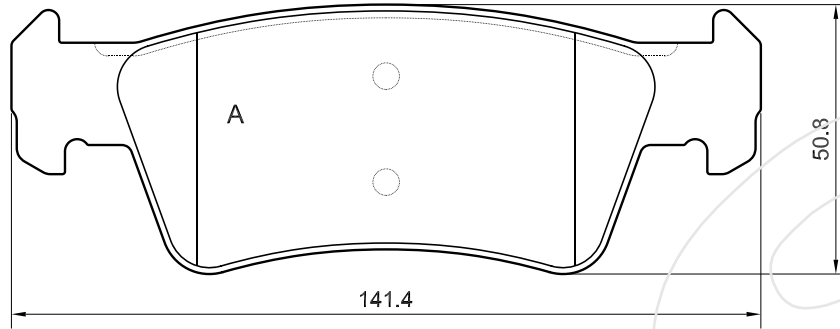
Reference in this Catalogue to other manufactures and to part numbers and other descriptions are for identification purposes only, because the above DISC BRAKE PADS are NOT ORIGINAL but with these interchangeable.

CODICE	IMPIANTO		ASSE	SCALA	APPLICAZIONI
<b>R-1371</b>	ATE		ANTERIORE	80%	BMW
CODICE COMPONENTI	N°	L(mm)	SERIE		
*	*	*	2 PEZZI TIPO A		
M0203	2	*	2 PEZZI TIPO B		
*	*	*	*		
*	*	*	*		
CODICE ACCESSORI	N°	L(mm)	NOTE		
*	*	*			
*	*	*			
*	*	*			
*	*	*			



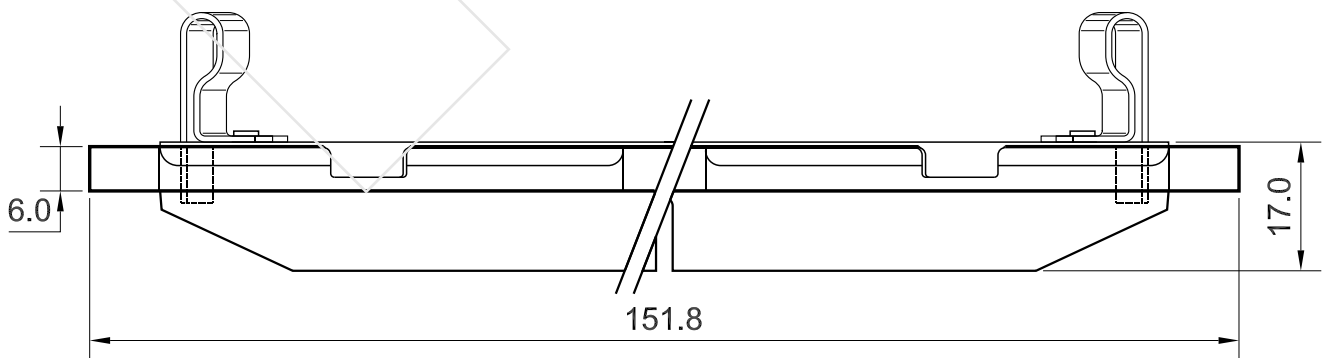
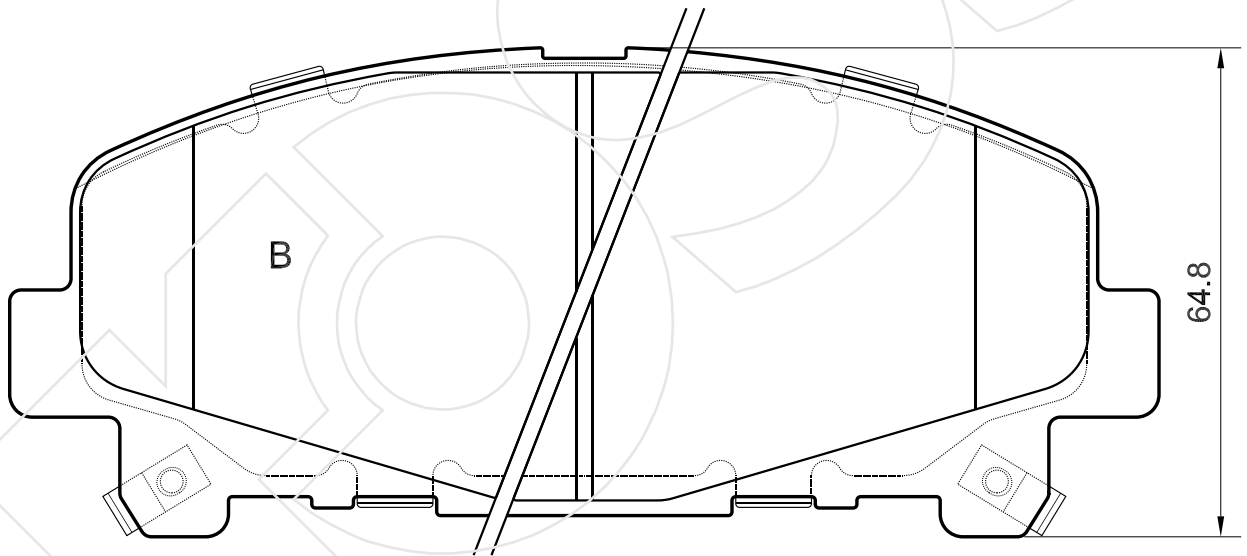
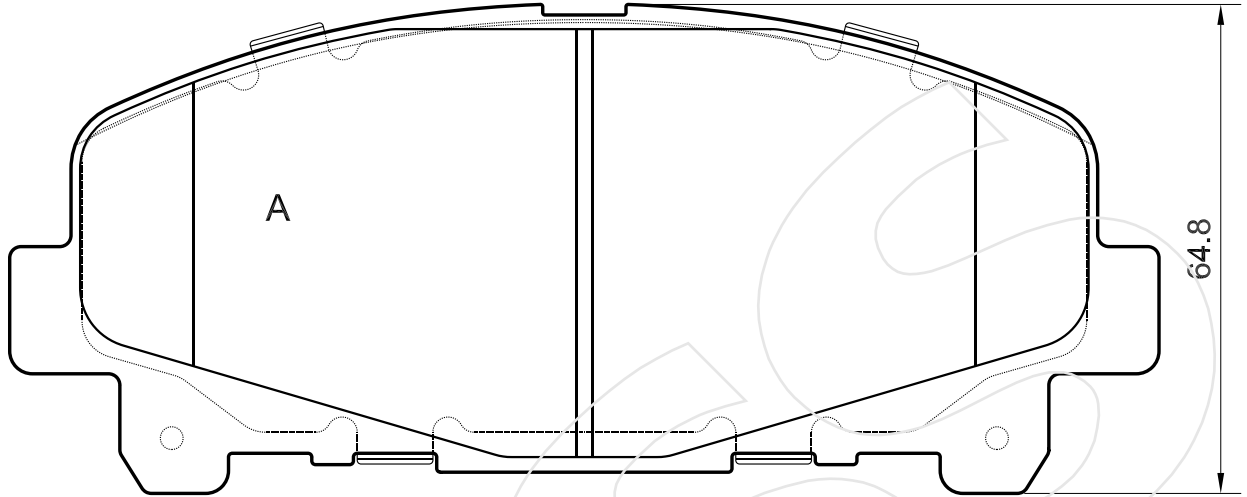
Reference in this Catalogue to other manufactures and to part numbers and other descriptions are for identification purposes only, because the above DISC BRAKE PADS are NOT ORIGINAL but with these interchangeable.

CODICE	IMPIANTO		ASSE	SCALA	APPLICAZIONI
<b>R-1372</b>	ATE		POSTERIORE	70%	VOLKSWAGEN
CODICE COMPONENTI	N°	L(mm)	SERIE		
*	*	*	2 PEZZI TIPO A		
M0293	1	*	1 PEZZO TIPO B		
M0293+F3149	1+1	310	1 PEZZO TIPO C		
*	*	*	*		
CODICE ACCESSORI	N°	L(mm)	NOTE		
*	*	*			
*	*	*			
*	*	*			
*	*	*			



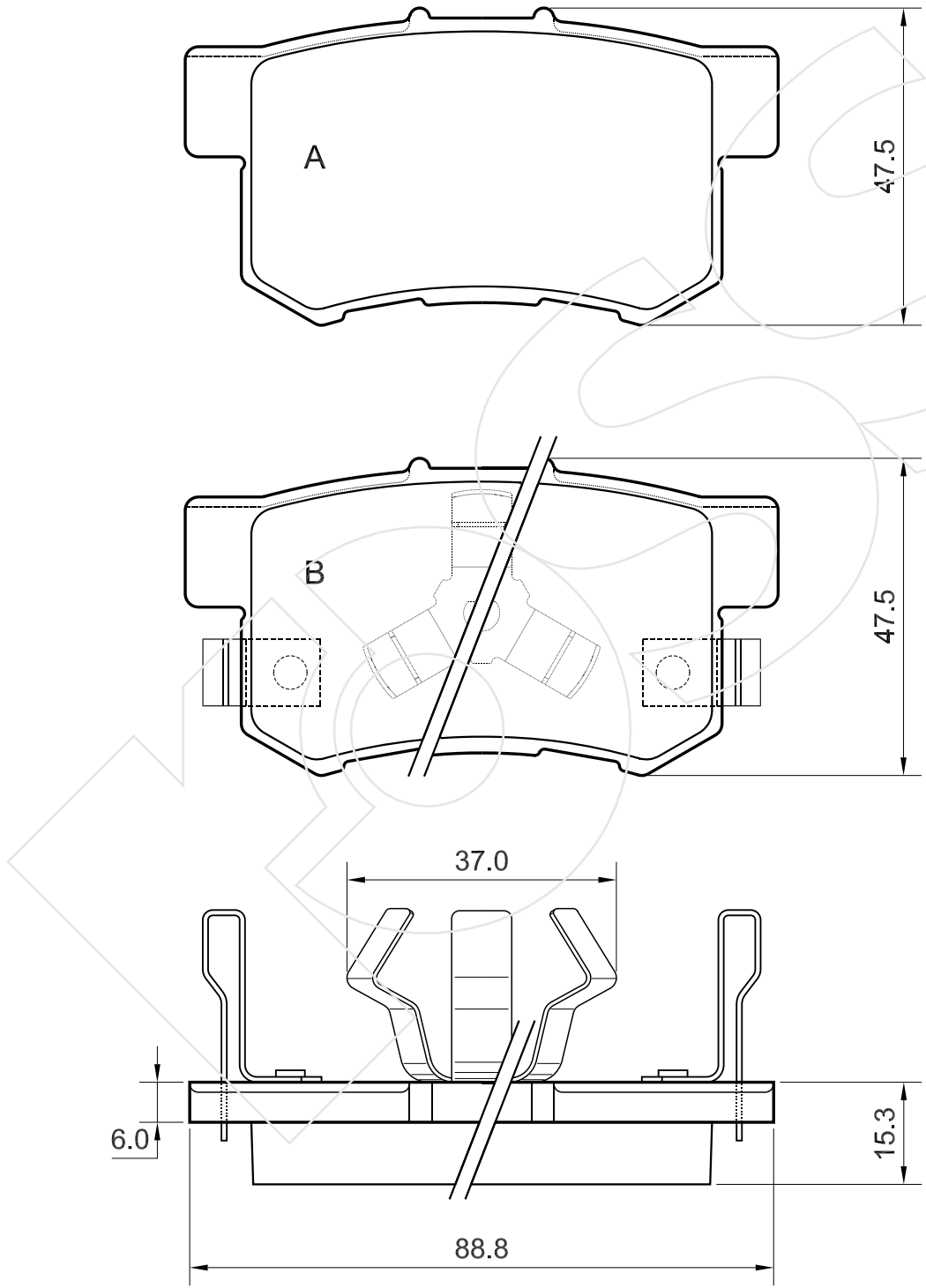
Reference in this Catalogue to other manufactures and to part numbers and other descriptions are for identification purposes only, because the above DISC BRAKE PADS are NOT ORIGINAL but with these interchangeable.

CODICE	IMPIANTO		ASSE	SCALA	APPLICAZIONI
<b>R-1373</b>	AKEBONO		ANTERIORE	1:1	HONDA
CODICE COMPONENTI	N°	L(mm)	SERIE		
A0133	2	*	2 PEZZI TIPO A		
M0000+A0133	2+2	*	2 PEZZI TIPO B		
*	*	*	*		
*	*	*	*		
CODICE ACCESSORI	N°	L(mm)	NOTE		
*	*	*			
*	*	*			
*	*	*			
*	*	*			



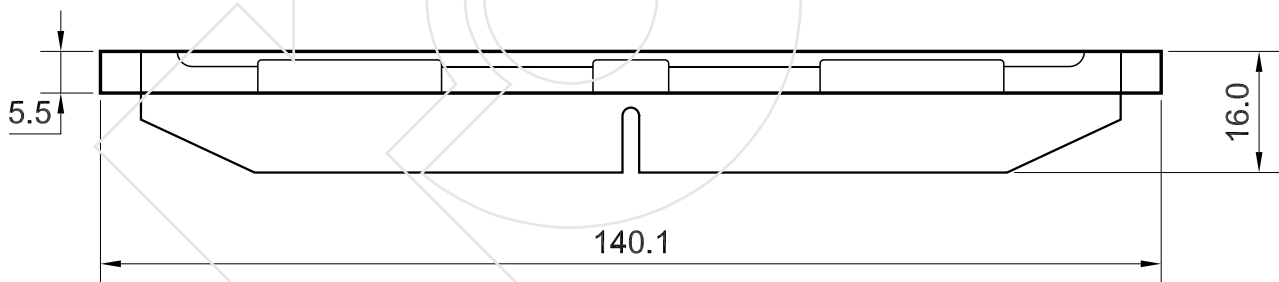
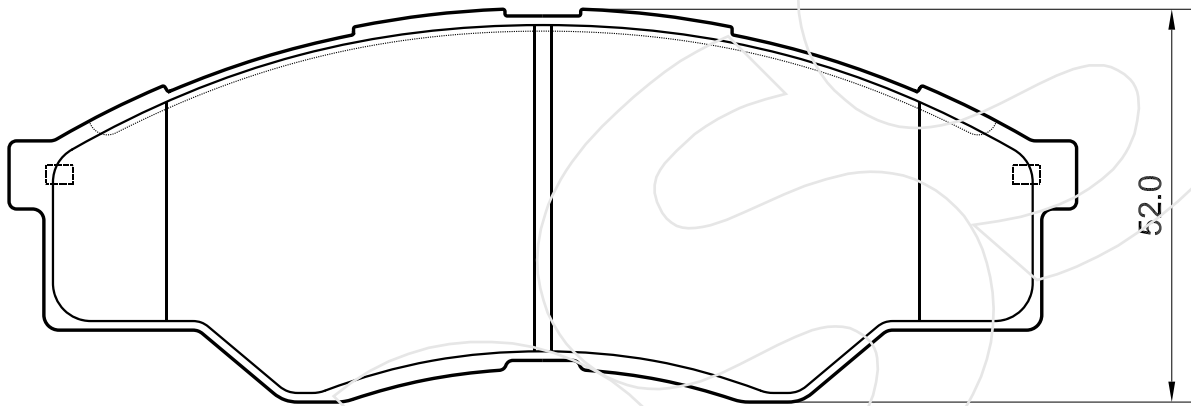
Reference in this Catalogue to other manufactures and to part numbers and other descriptions are for identification purposes only, because the above DISC BRAKE PADS are NOT ORIGINAL but with these interchangeable.

CODICE	IMPIANTO		ASSE	SCALA	APPLICAZIONI
<b>R-1374</b>	AKEBONO		POSTERIORE	1:1	HONDA
CODICE COMPONENTI	N°	L(mm)	SERIE		
*	*	*	2 PEZZI TIPO A		
M0051+M0355	2+2	*	2 PEZZI TIPO B		
*	*	*	*		
*	*	*	*		
CODICE ACCESSORI	N°	L(mm)	NOTE		
*	*	*			
*	*	*			
*	*	*			
*	*	*			



Reference in this Catalogue to other manufactures and to part numbers and other descriptions are for identification purposes only, because the above DISC BRAKE PADS are NOT ORIGINAL but with these interchangeable.

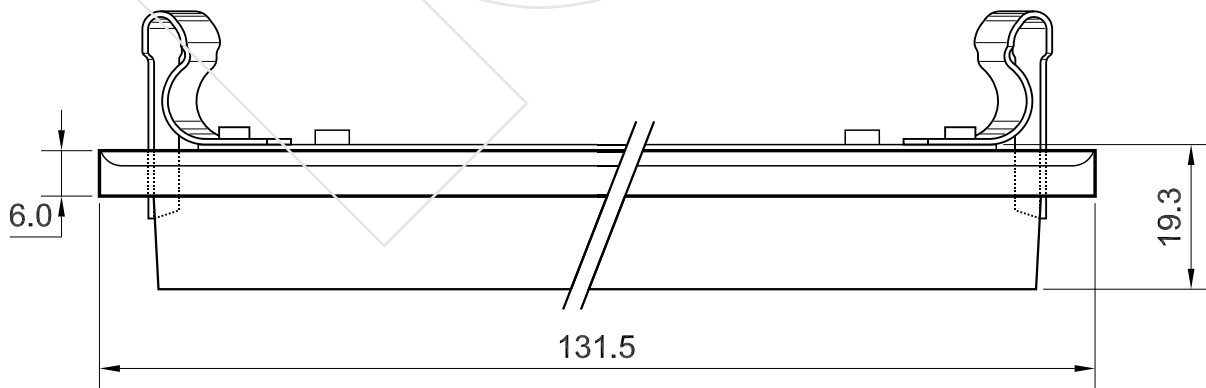
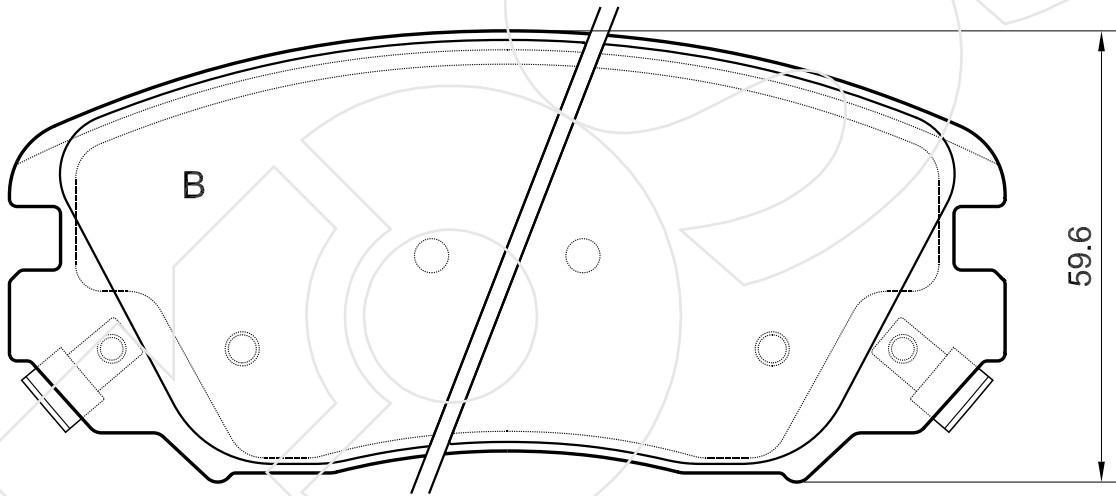
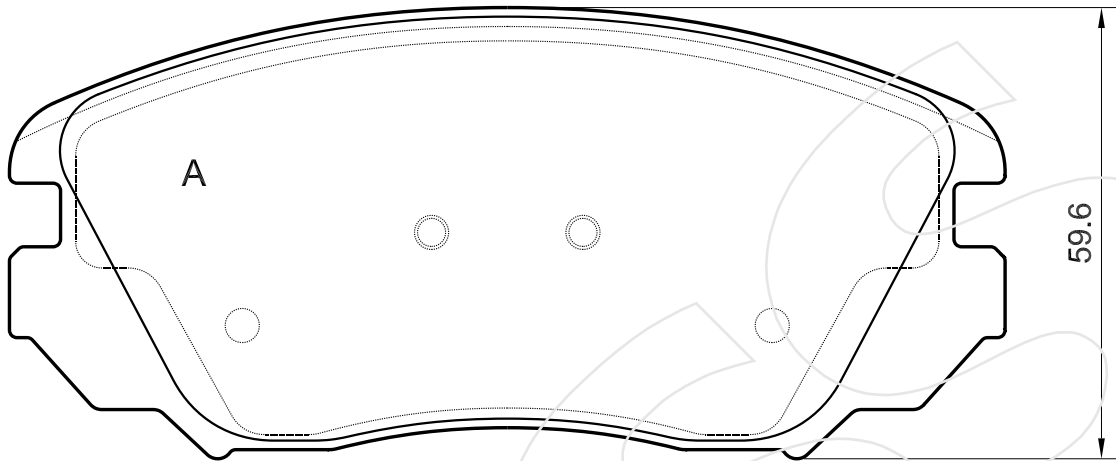
CODICE	IMPIANTO		ASSE	SCALA	APPLICAZIONI
<b>R-1375</b>	ADVICS		ANTERIORE	1:1	TOYOTA
CODICE COMPONENTI	N°	L(mm)	SERIE		
*	*	*	4 PEZZI		
*	*	*			
*	*	*			
*	*	*			
CODICE ACCESSORI	N°	L(mm)	NOTE		
*	*	*			
*	*	*			
*	*	*			
*	*	*			



Reference in this Catalogue to other manufactures and to part numbers and other descriptions are for identification purposes only, because the above DISC BRAKE PADS are NOT ORIGINAL but with these interchangeable.

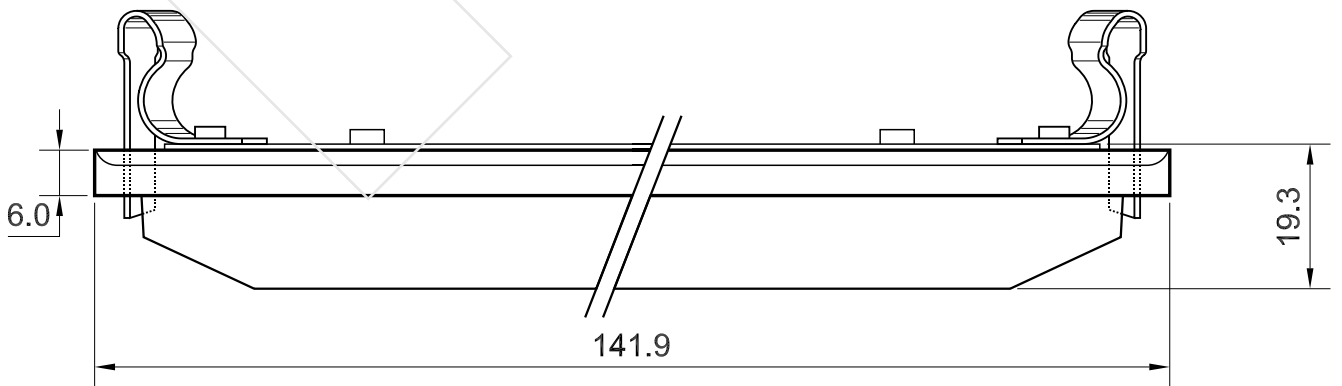
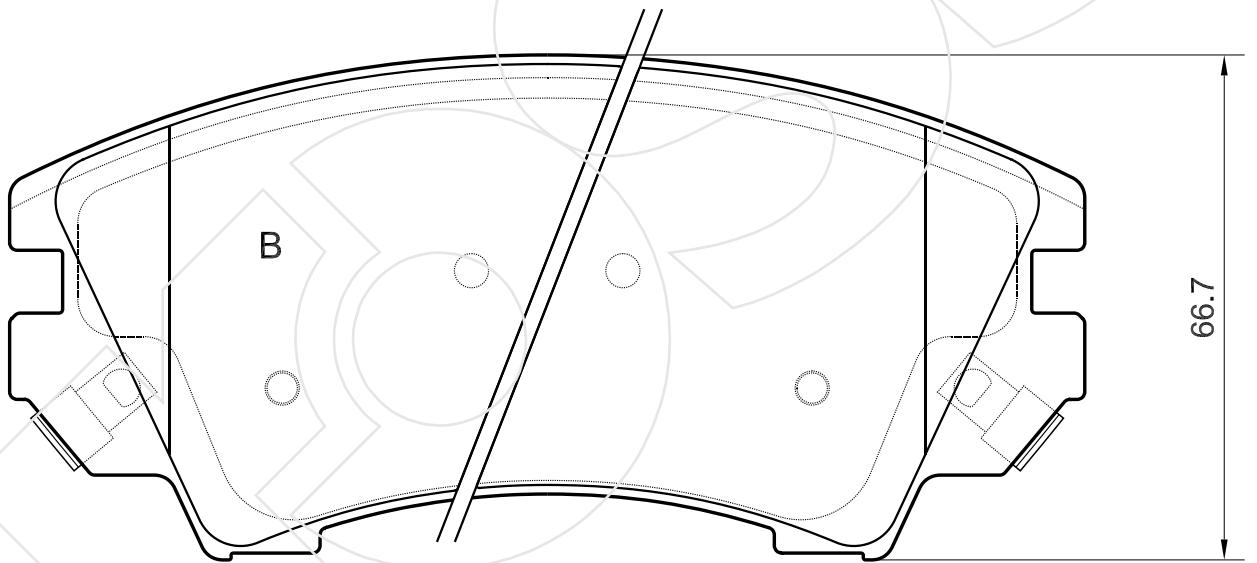
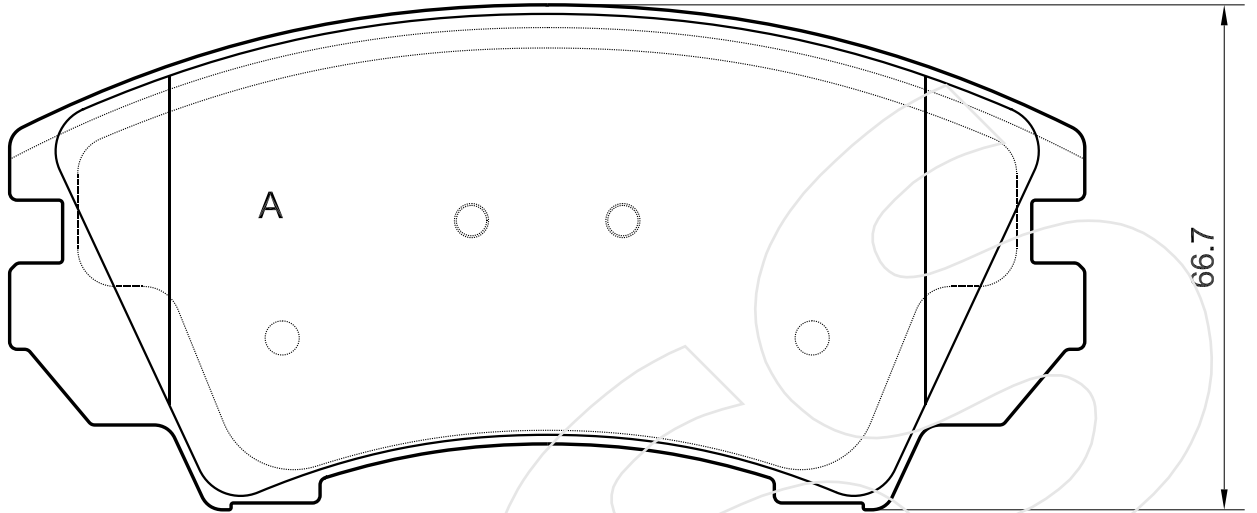


CODICE	IMPIANTO		ASSE	SCALA	APPLICAZIONI
<b>R-1376</b>	MANDO		ANTERIORE	1:1	OPEL
CODICE COMPONENTI	N°	L(mm)	SERIE		
*	*	*	2 PEZZI TIPO A		
M0074+A0134	2+2	*	2 PEZZI TIPO B		
*	*	*	*		
*	*	*	*		
CODICE ACCESSORI	N°	L(mm)	NOTE		
*	*	*			
*	*	*			
*	*	*			
*	*	*			



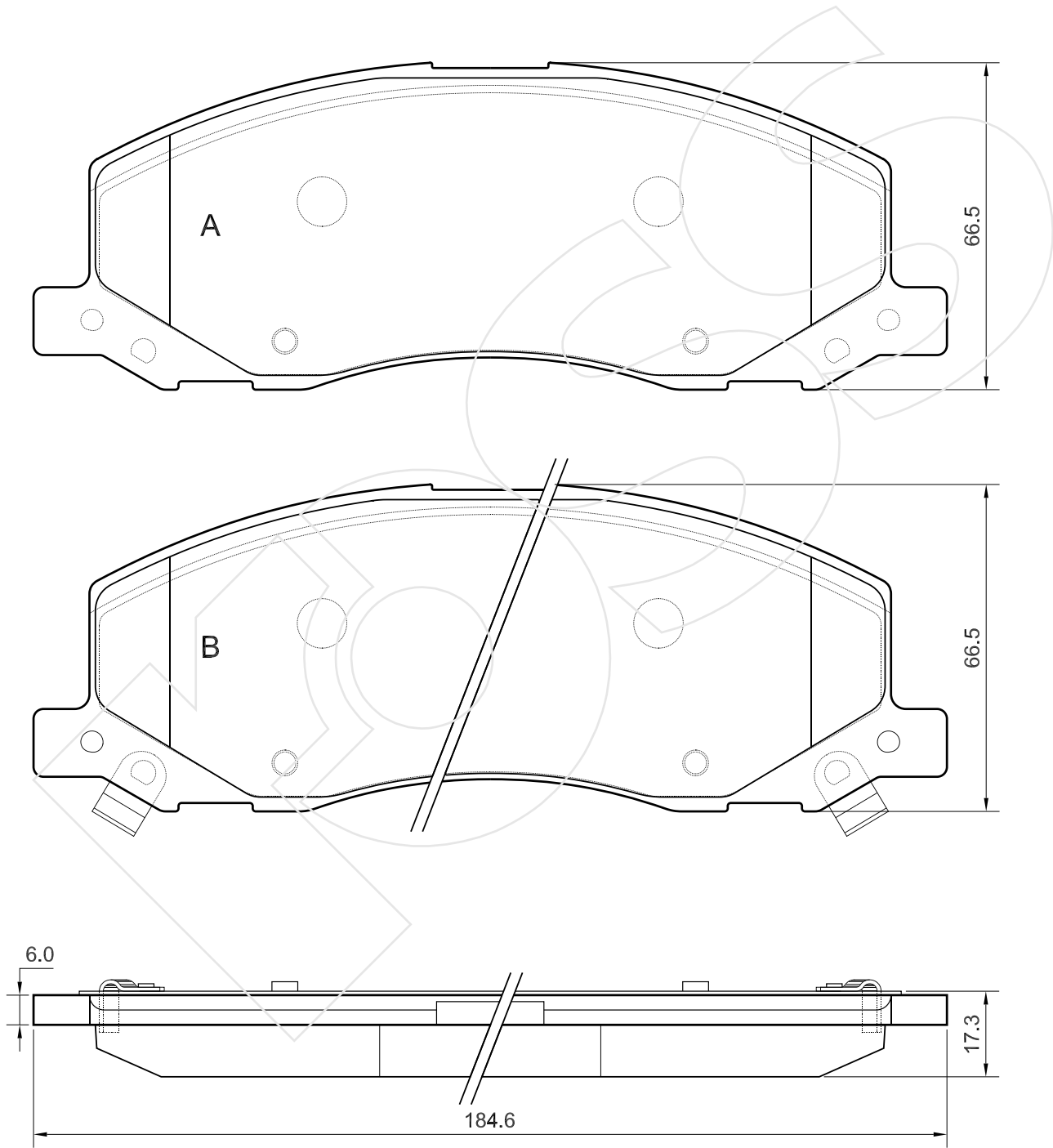
Reference in this Catalogue to other manufactures and to part numbers and other descriptions are for identification purposes only, because the above DISC BRAKE PADS are NOT ORIGINAL but with these interchangeable.

CODICE	IMPIANTO		ASSE	SCALA	APPLICAZIONI
<b>R-1377</b>	MANDO		ANTERIORE	1:1	OPEL
CODICE COMPONENTI	N°	L(mm)	SERIE		
*	*	*	2 PEZZI TIPO A		
M0000+A0135	2+2	*	2 PEZZI TIPO B		
*	*	*	*		
*	*	*	*		
CODICE ACCESSORI	N°	L(mm)	NOTE		
*	*	*			
*	*	*			
*	*	*			
*	*	*			



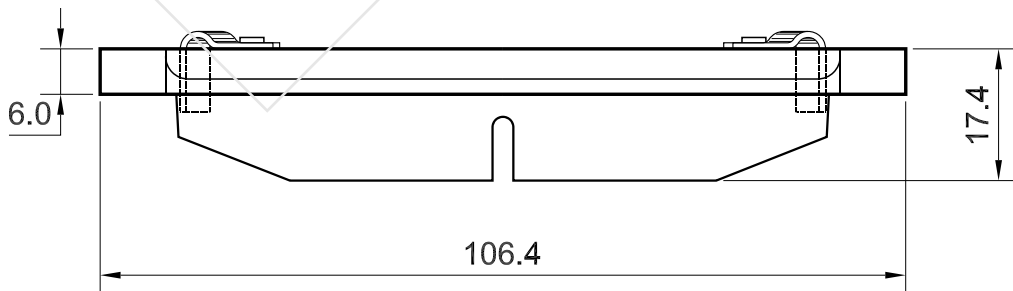
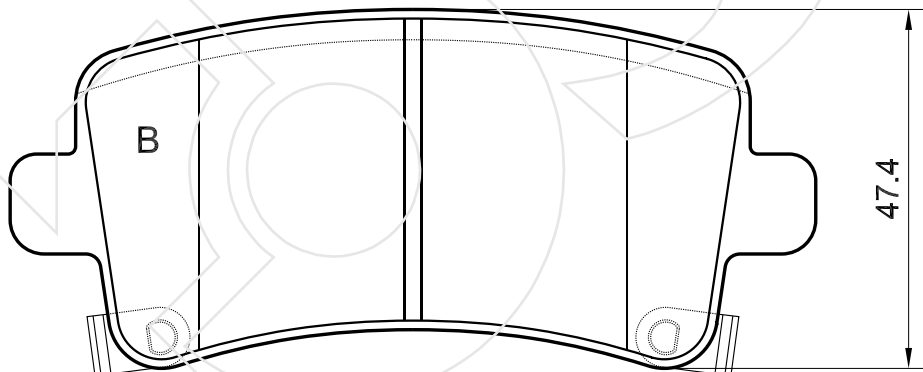
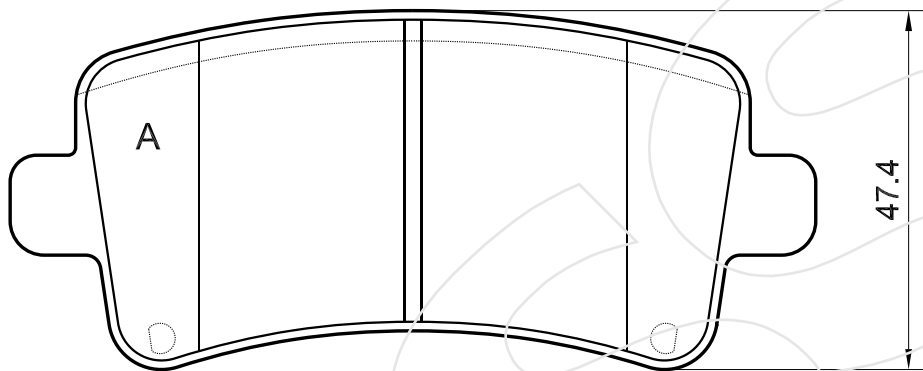
Reference in this Catalogue to other manufactures and to part numbers and other descriptions are for identification purposes only, because the above DISC BRAKE PADS are NOT ORIGINAL but with these interchangeable.

CODICE	IMPIANTO		ASSE	SCALA	APPLICAZIONI
<b>R-1378</b>	TRW		ANTERIORE	80%	OPEL
CODICE COMPONENTI	N°	L(mm)	SERIE		
*	*	*	2 PEZZI TIPO A		
M0000+A0136	2+2	*	2 PEZZI TIPO B		
*	*	*	*		
*	*	*	*		
CODICE ACCESSORI	N°	L(mm)	NOTE		
*	*	*			
*	*	*			
*	*	*			
*	*	*			



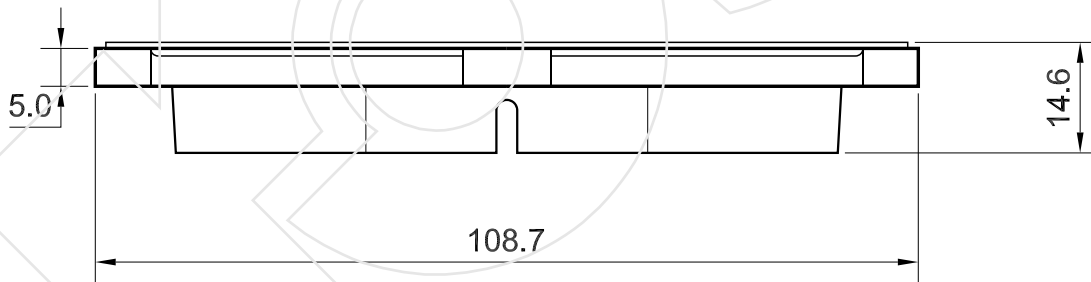
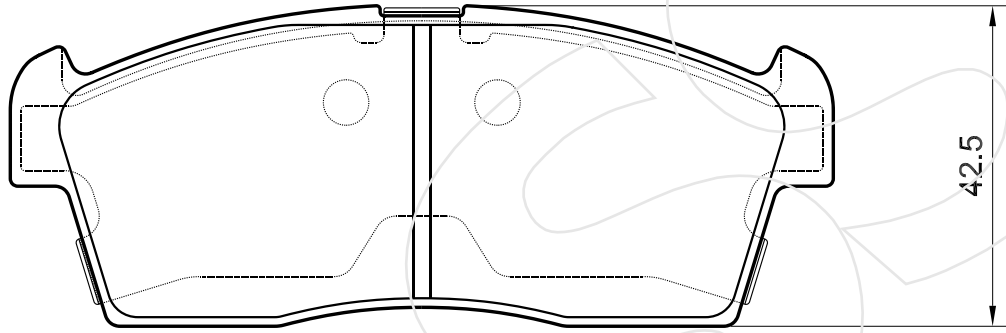
Reference in this Catalogue to other manufactures and to part numbers and other descriptions are for identification purposes only, because the above DISC BRAKE PADS are NOT ORIGINAL but with these interchangeable.

CODICE	IMPIANTO		ASSE	SCALA	APPLICAZIONI
<b>R-1379</b>	TRW		POSTERIORE	1:1	OPEL
CODICE COMPONENTI	N°	L(mm)	SERIE		
*	*	*	2 PEZZI TIPO A		
M0000	4	*	2 PEZZI TIPO B		
*	*	*	*		
*	*	*	*		
CODICE ACCESSORI	N°	L(mm)	NOTE		
*	*	*			
*	*	*			
*	*	*			
*	*	*			



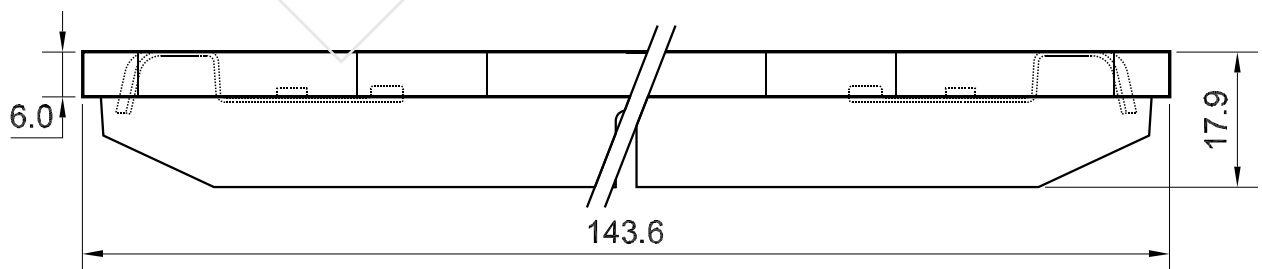
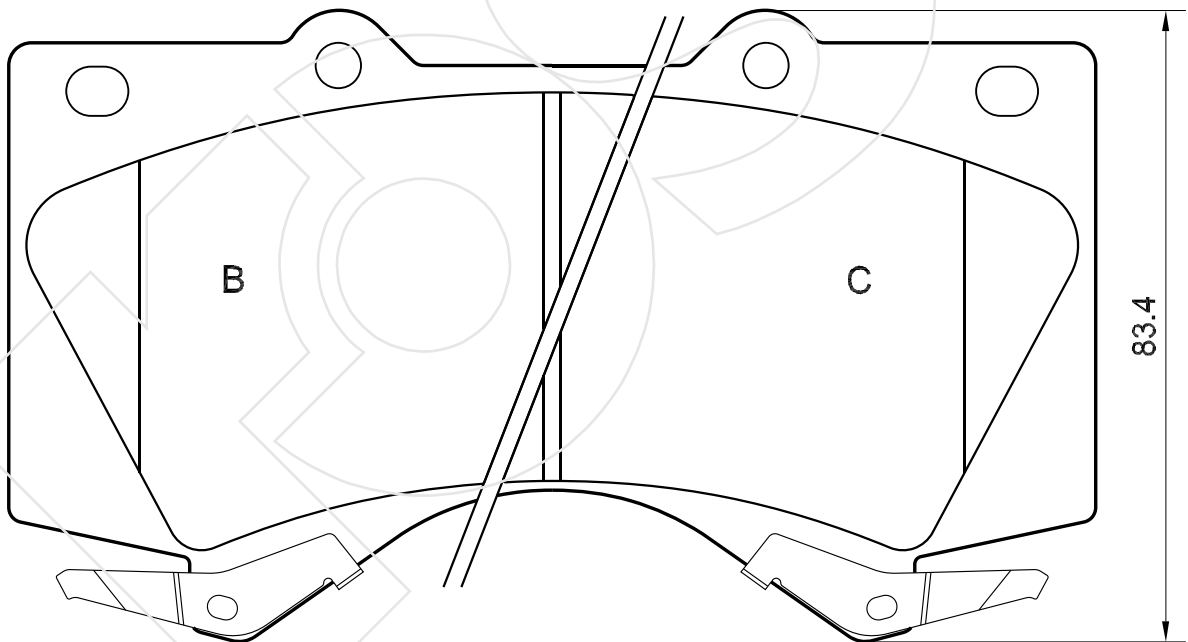
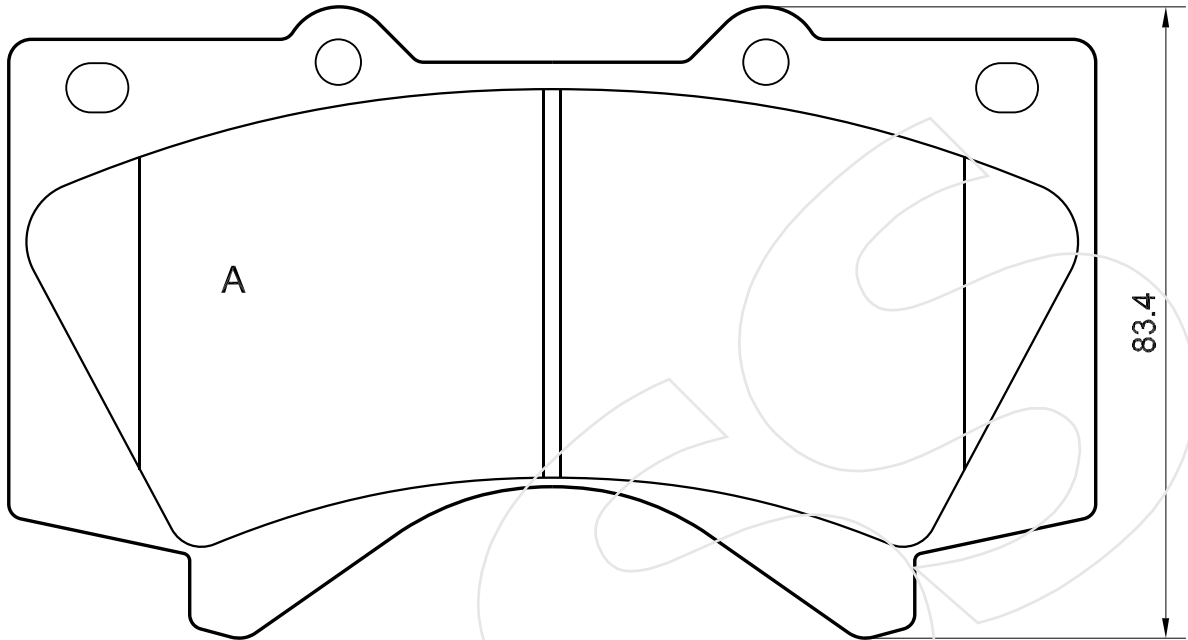
Reference in this Catalogue to other manufactures and to part numbers and other descriptions are for identification purposes only, because the above DISC BRAKE PADS are NOT ORIGINAL but with these interchangeable.

CODICE	IMPIANTO		ASSE	SCALA	APPLICAZIONI
<b>R-1380</b>	AKEBONO		ANTERIORE	1:1	SUZUKI
CODICE COMPONENTI	N°	L(mm)	SERIE		
A0137	4	*	4 PEZZI		
*	*	*	*		
*	*	*	*		
*	*	*	*		
CODICE ACCESSORI	N°	L(mm)	NOTE		
*	*	*			
*	*	*			
*	*	*			
*	*	*			



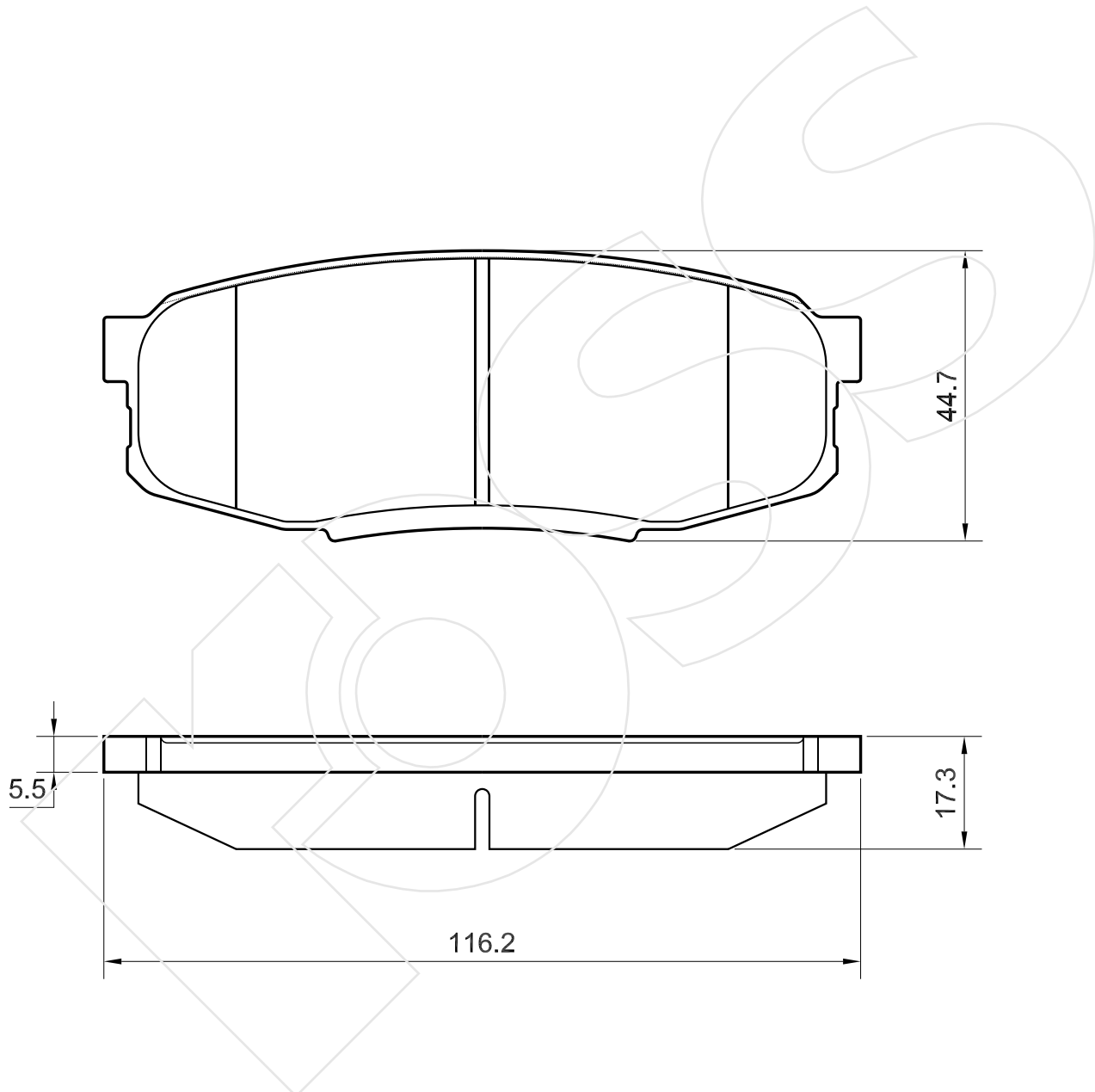
Reference in this Catalogue to other manufactures and to part numbers and other descriptions are for identification purposes only, because the above DISC BRAKE PADS are NOT ORIGINAL but with these interchangeable.

CODICE	IMPIANTO		ASSE	SCALA	APPLICAZIONI
<b>R-1381</b>	ADVICS		ANTERIORE	1:1	TOYOTA
CODICE COMPONENTI	N°	L(mm)	SERIE		
*	*	*	2 PEZZI TIPO A		
M0356	1	*	1 PEZZO TIPO B		
M0357	1	*	1 PEZZO TIPO C		
*	*	*	*		
CODICE ACCESSORI	N°	L(mm)	NOTE		
*	*	*			
*	*	*			
*	*	*			
*	*	*			



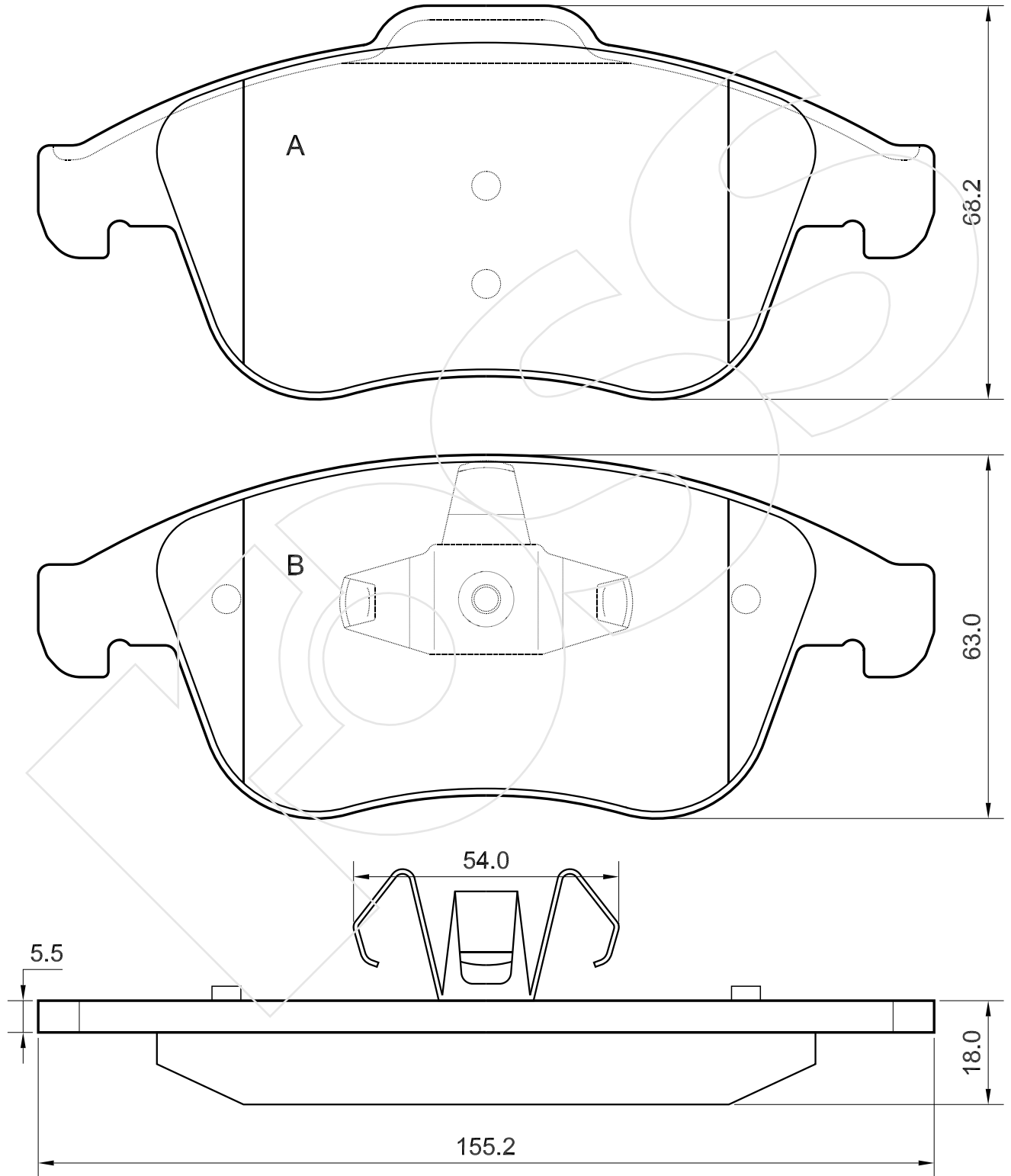
Reference in this Catalogue to other manufactures and to part numbers and other descriptions are for identification purposes only, because the above DISC BRAKE PADS are NOT ORIGINAL but with these interchangeable.

CODICE	IMPIANTO		ASSE	SCALA	APPLICAZIONI
<b>R-1382</b>	ADVICS		POSTERIORE	1:1	TOYOTA
CODICE COMPONENTI	N°	L(mm)	SERIE		
*	*	*	4 PEZZI		
*	*	*	*		
*	*	*	*		
*	*	*	*		
CODICE ACCESSORI	N°	L(mm)	NOTE		
*	*	*			
*	*	*			
*	*	*			
*	*	*			



Reference in this Catalogue to other manufactures and to part numbers and other descriptions are for identification purposes only, because the above DISC BRAKE PADS are NOT ORIGINAL but with these interchangeable.

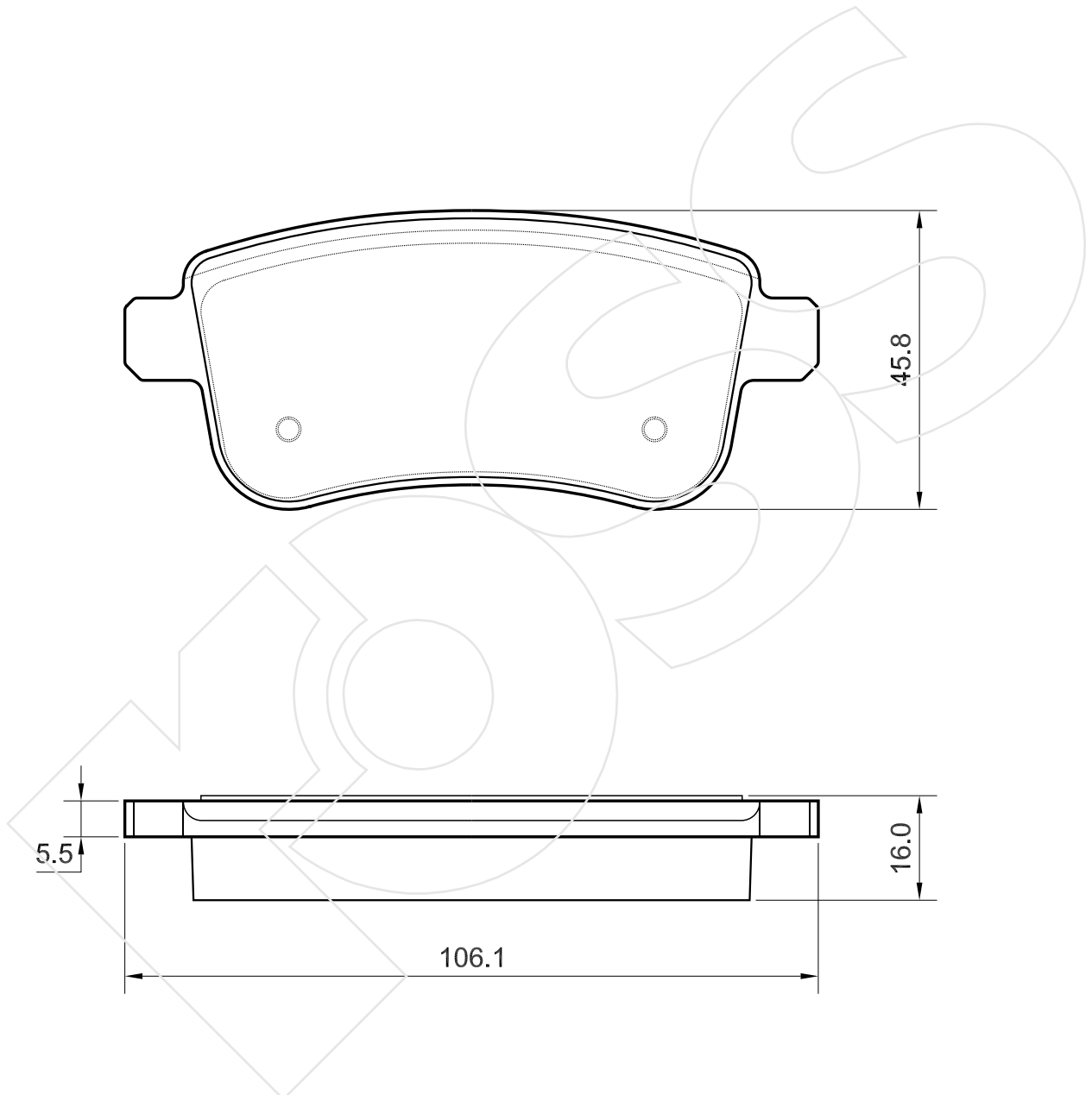
CODICE	IMPIANTO		ASSE	SCALA	APPLICAZIONI
<b>R-1383</b>	ATE		ANTERIORE	1:1	RENAULT
CODICE COMPONENTI	N°	L(mm)	SERIE		
*	*	*	2 PEZZI TIPO A		
M0000	2	*	2 PEZZI TIPO B		
*	*	*	*		
*	*	*	*		
CODICE ACCESSORI	N°	L(mm)	NOTE		
*	*	*			
*	*	*			
*	*	*			
*	*	*			



Reference in this Catalogue to other manufactures and to part numbers and other descriptions are for identification purposes only, because the above DISC BRAKE PADS are NOT ORIGINAL but with these interchangeable.

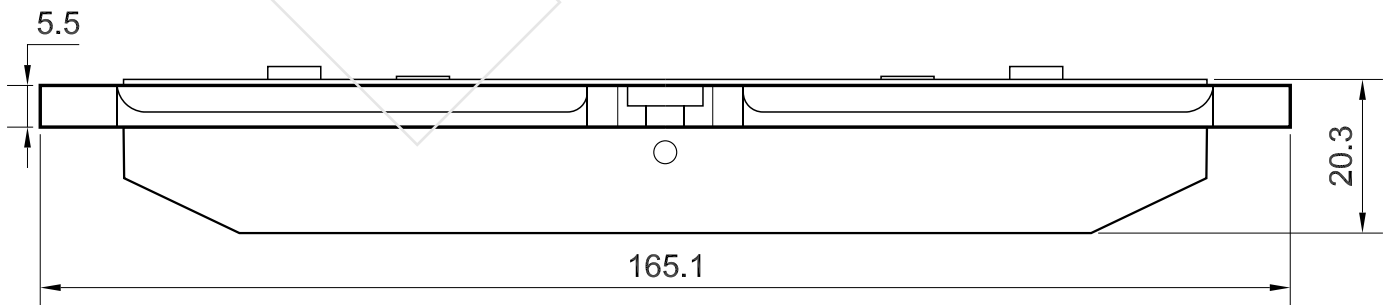
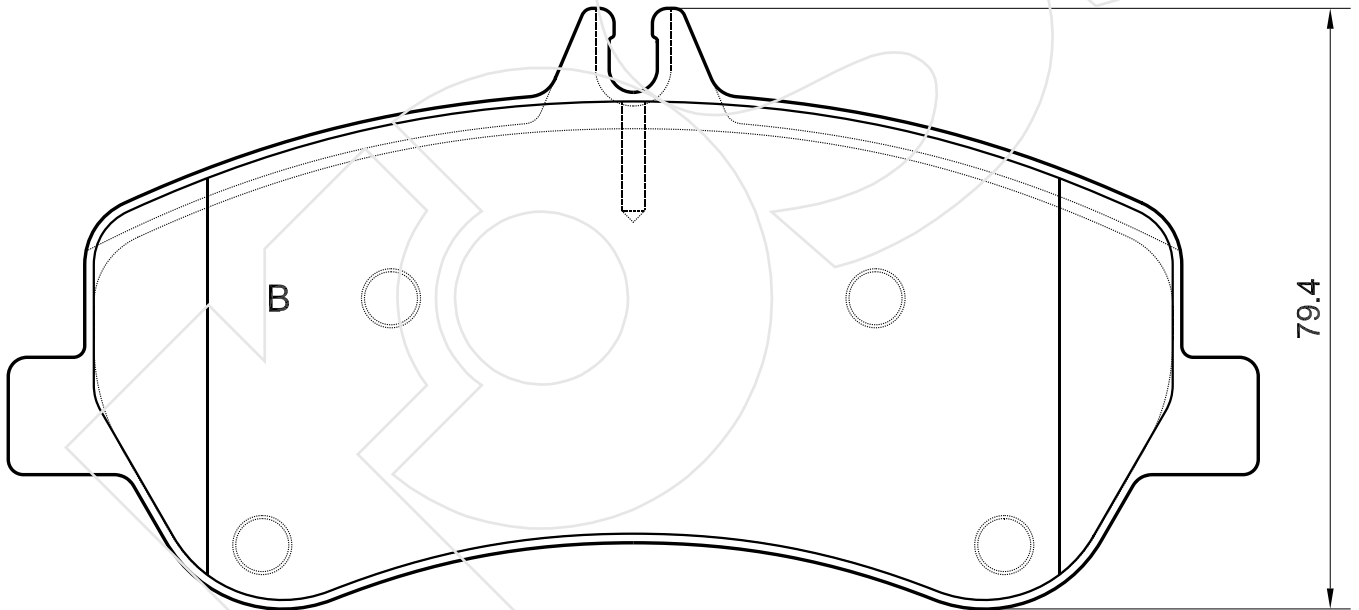
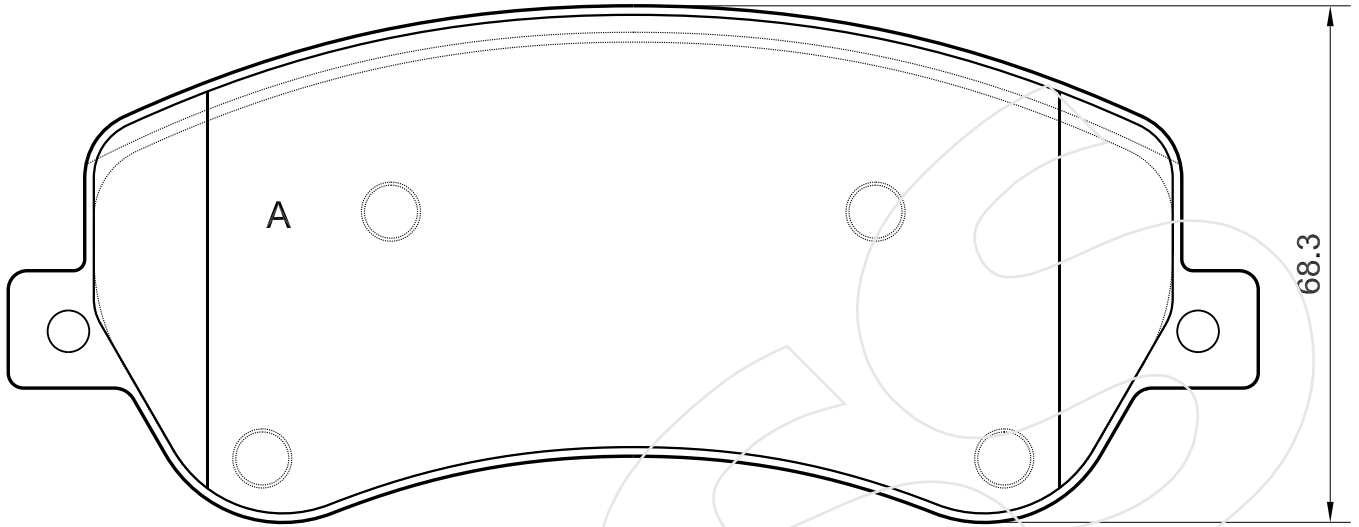


CODICE	IMPIANTO		ASSE	SCALA	APPLICAZIONI
<b>R-1384</b>	TRW		POSTERIORE	1:1	RENAULT
CODICE COMPONENTI	N°	L(mm)	SERIE		
*	*	*	4 PEZZI		
*	*	*	*		
*	*	*	*		
*	*	*	*		
CODICE ACCESSORI	N°	L(mm)	NOTE		
*	*	*			
*	*	*			
*	*	*			
*	*	*			



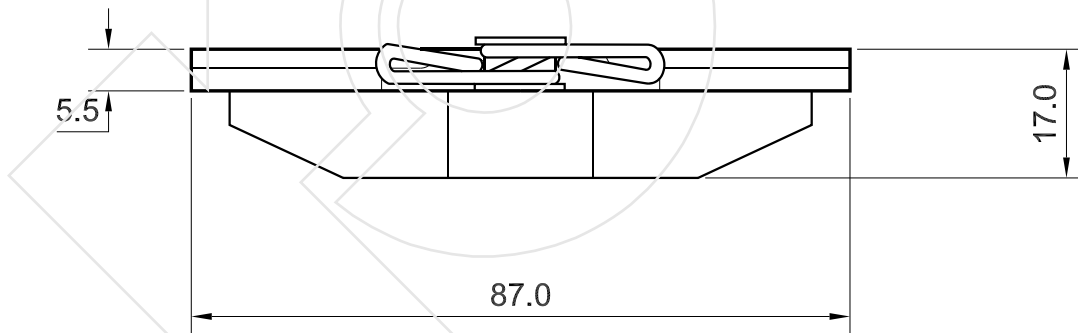
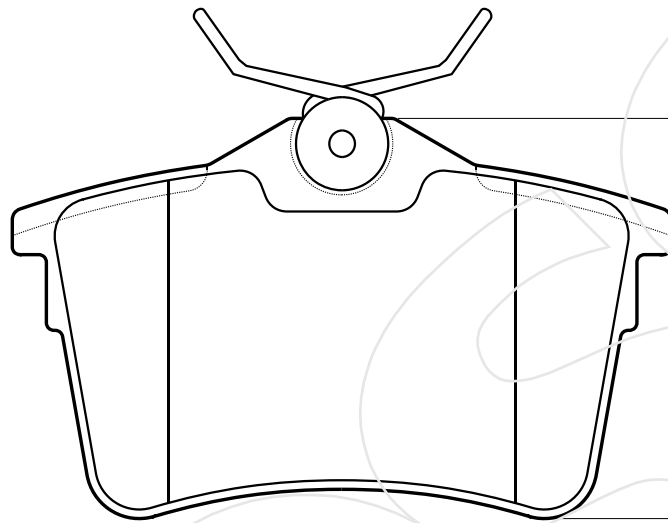
Reference in this Catalogue to other manufactures and to part numbers and other descriptions are for identification purposes only, because the above DISC BRAKE PADS are NOT ORIGINAL but with these interchangeable.

CODICE	IMPIANTO		ASSE	SCALA	APPLICAZIONI
<b>R-1385</b>	BOSCH		ANTERIORE	1:1	MERCEDES
CODICE COMPONENTI	N°	L(mm)	SERIE		
A0139	2	*	2 PEZZI TIPO A		
A0139	2	*	2 PEZZI TIPO B		
*	*	*	*		
*	*	*	*		
CODICE ACCESSORI	N°	L(mm)	NOTE		
*	*	*			
*	*	*			
*	*	*			
*	*	*			



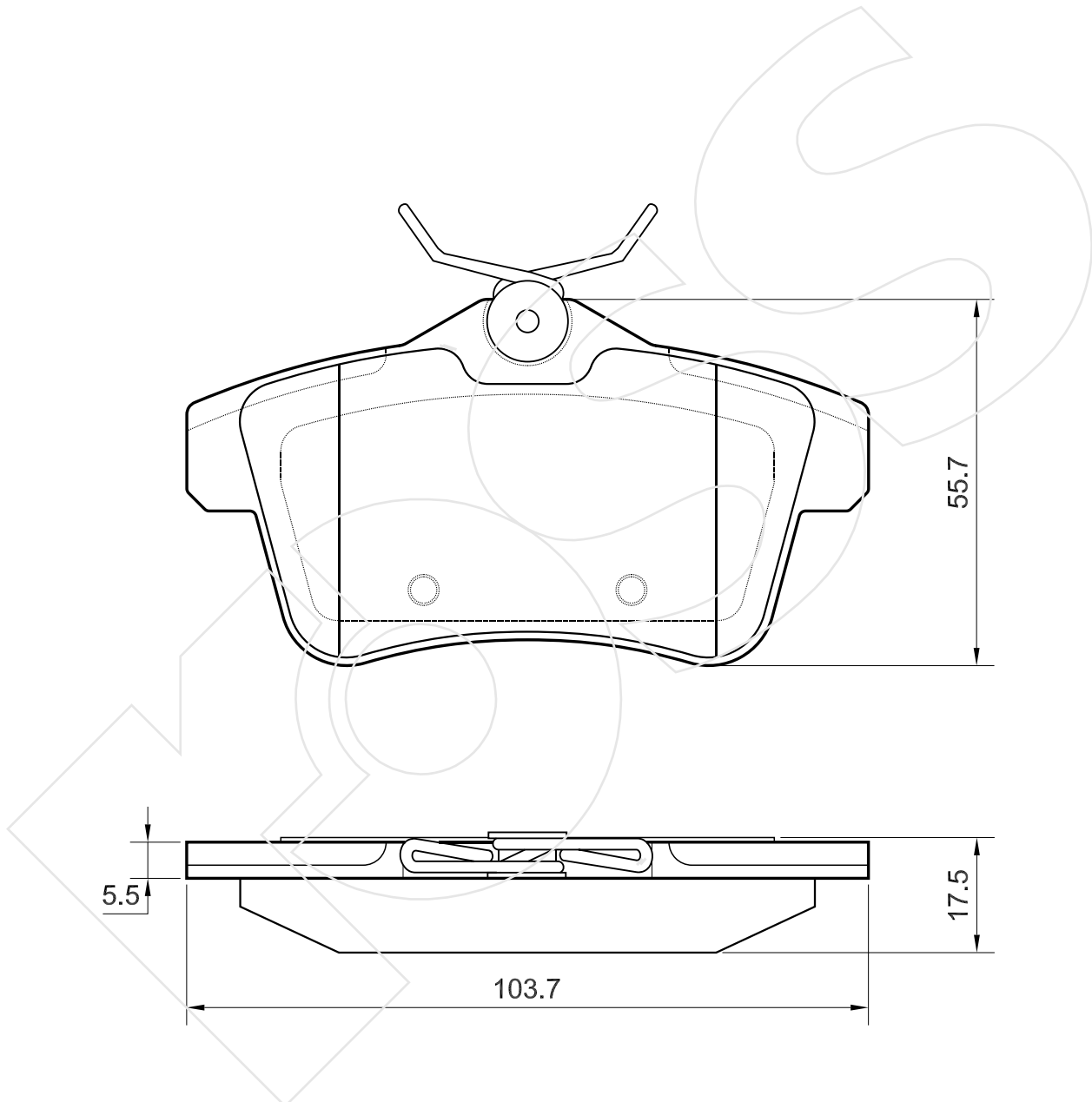
Reference in this Catalogue to other manufactures and to part numbers and other descriptions are for identification purposes only, because the above DISC BRAKE PADS are NOT ORIGINAL but with these interchangeable.

CODICE	IMPIANTO		ASSE	SCALA	APPLICAZIONI
<b>R-1386</b>	TRW		POSTERIORE	1:1	PEUGEOT CITROEN
CODICE COMPONENTI	N°	L(mm)	SERIE		
M0015	4	*	4 PEZZI		
*	*	*	*		
*	*	*	*		
*	*	*	*		
CODICE ACCESSORI	N°	L(mm)	NOTE		
*	*	*			
*	*	*			
*	*	*			
*	*	*			



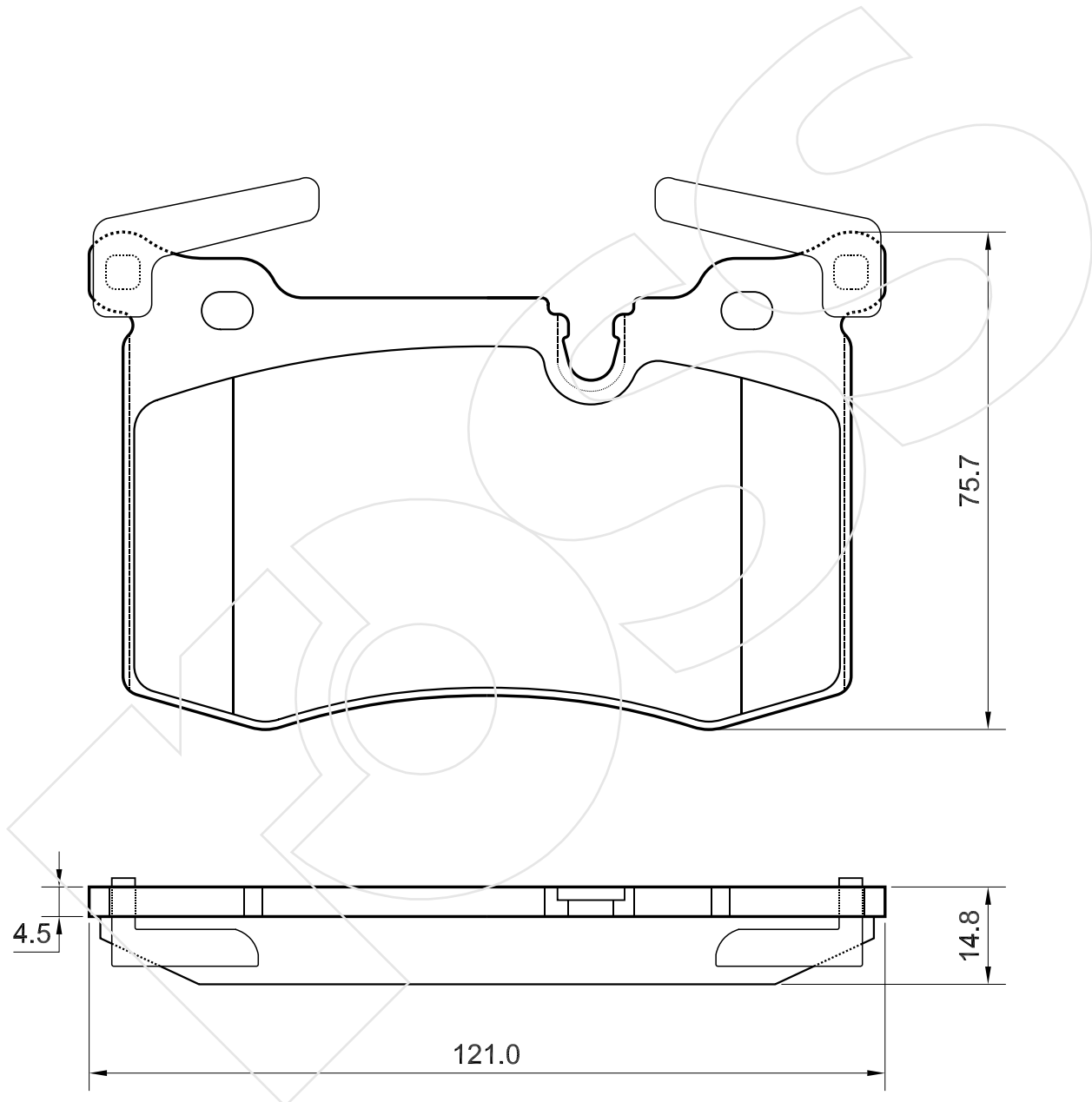
Reference in this Catalogue to other manufactures and to part numbers and other descriptions are for identification purposes only, because the above DISC BRAKE PADS are NOT ORIGINAL but with these interchangeable.

CODICE	IMPIANTO		ASSE	SCALA	APPLICAZIONI
<b>R-1387</b>	TRW		POSTERIORE	1:1	PEUGEOT
CODICE COMPONENTI	N°	L(mm)	SERIE		
M0015+A0000	4	*	4 PEZZI		
*	*	*	*		
*	*	*	*		
*	*	*	*		
CODICE ACCESSORI	N°	L(mm)	NOTE		
*	*	*			
*	*	*			
*	*	*			
*	*	*			



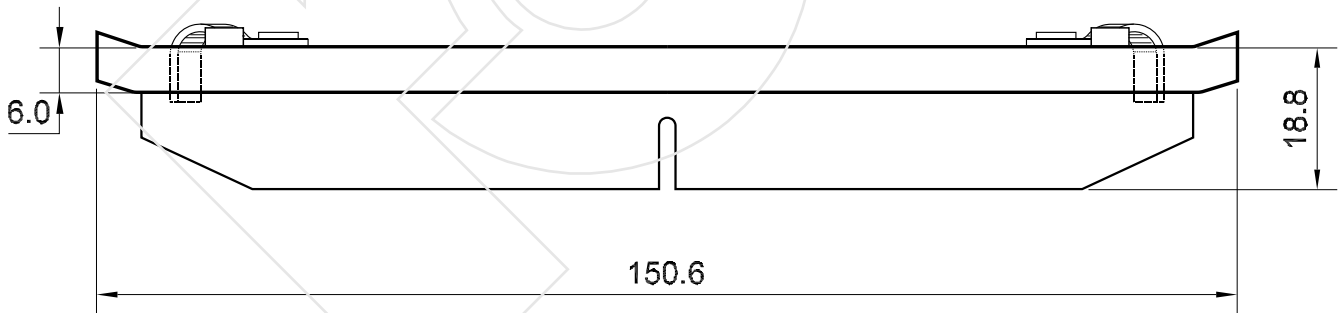
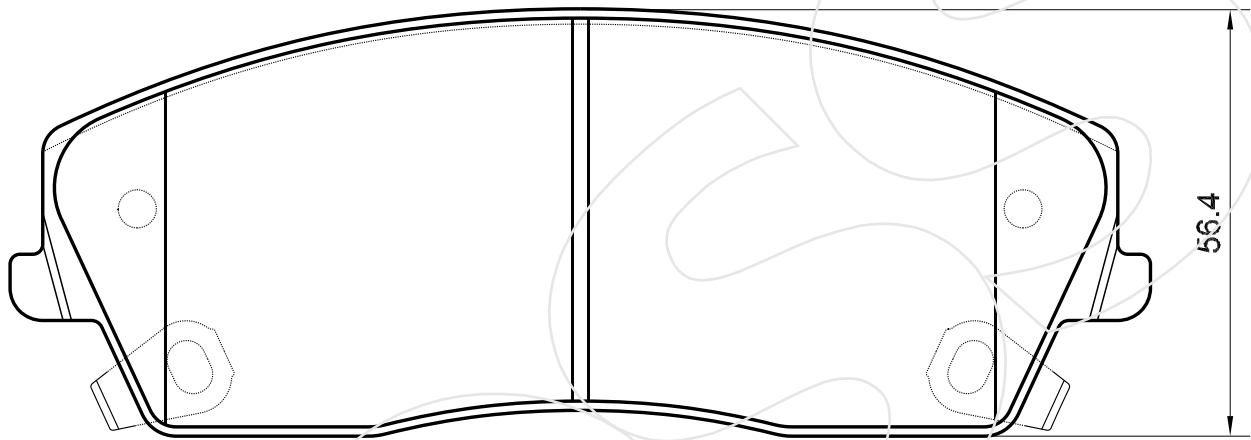
Reference in this Catalogue to other manufactures and to part numbers and other descriptions are for identification purposes only, because the above DISC BRAKE PADS are NOT ORIGINAL but with these interchangeable.

CODICE	IMPIANTO		ASSE	SCALA	APPLICAZIONI
<b>R-1388</b>	BREMBO		ANTERIORE	1:1	MINI (BMW) MINI COOPER II WORKS 1.6 09-
CODICE COMPONENTI	N°	L(mm)	SERIE		
*	*	*	4 PEZZI		
*	*	*	*		
*	*	*	*		
*	*	*	*		
CODICE ACCESSORI	N°	L(mm)	NOTE		
*	*	*			
*	*	*			
*	*	*			
*	*	*			



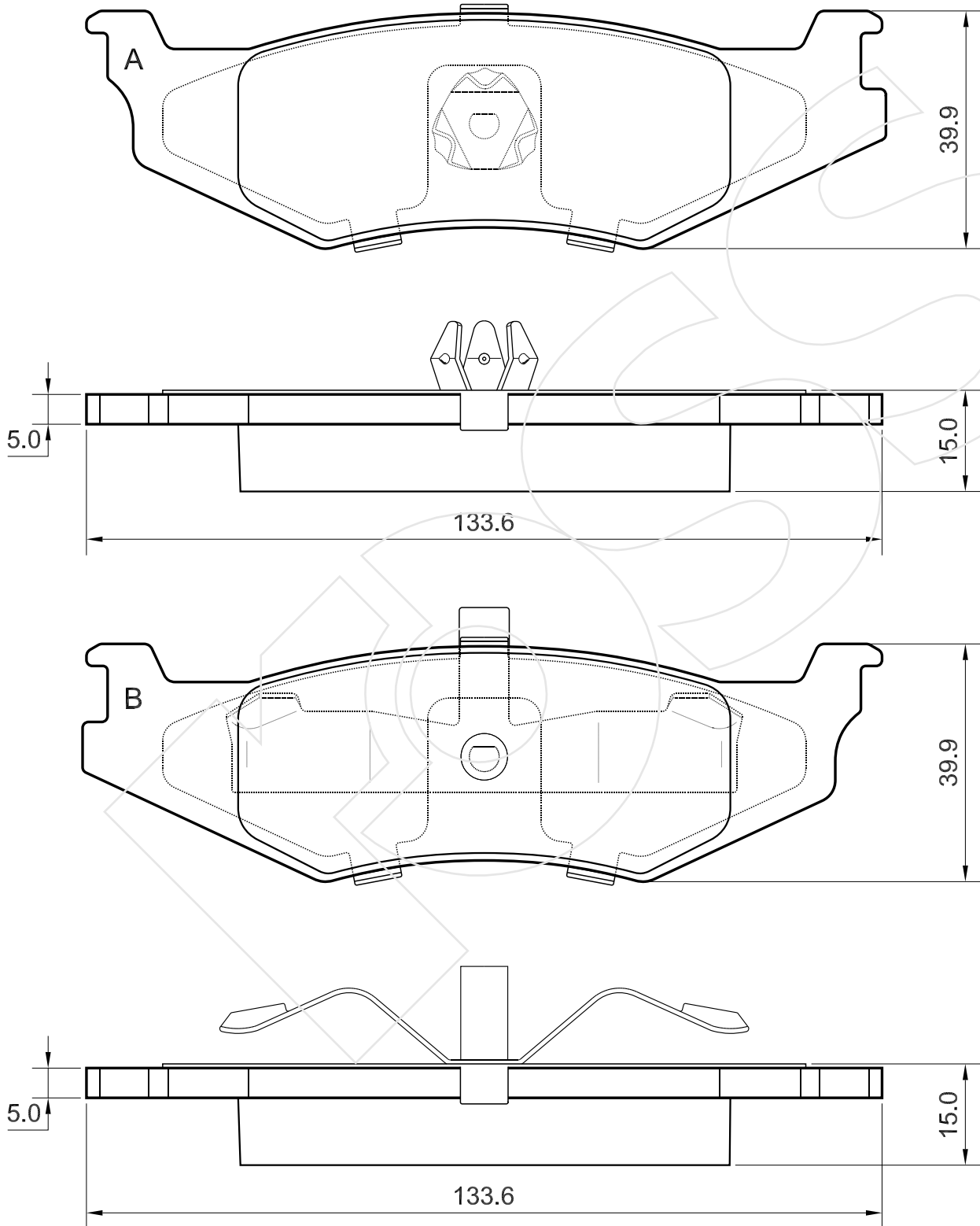
Reference in this Catalogue to other manufactures and to part numbers and other descriptions are for identification purposes only, because the above DISC BRAKE PADS are NOT ORIGINAL but with these interchangeable.

CODICE	IMPIANTO		ASSE	SCALA	APPLICAZIONI
<b>R-1389</b>	*		ANTERIORE	1:1	CHRYSLER
CODICE COMPONENTI	N°	L(mm)	SERIE		
M0334	8	*	4 PEZZI		
*	*	*	*		
*	*	*	*		
*	*	*	*		
CODICE ACCESSORI	N°	L(mm)	NOTE		
*	*	*			
*	*	*			
*	*	*			
*	*	*			



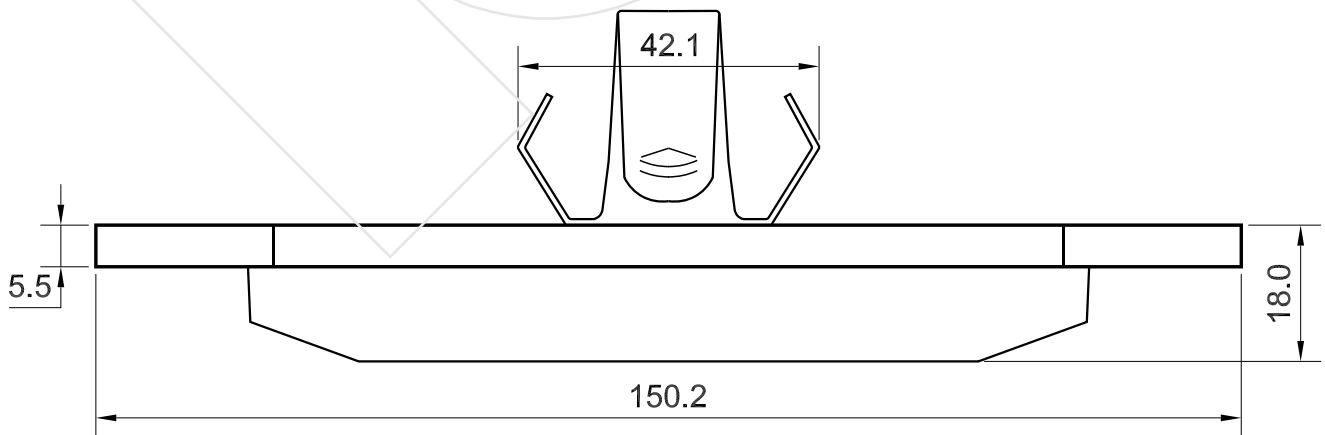
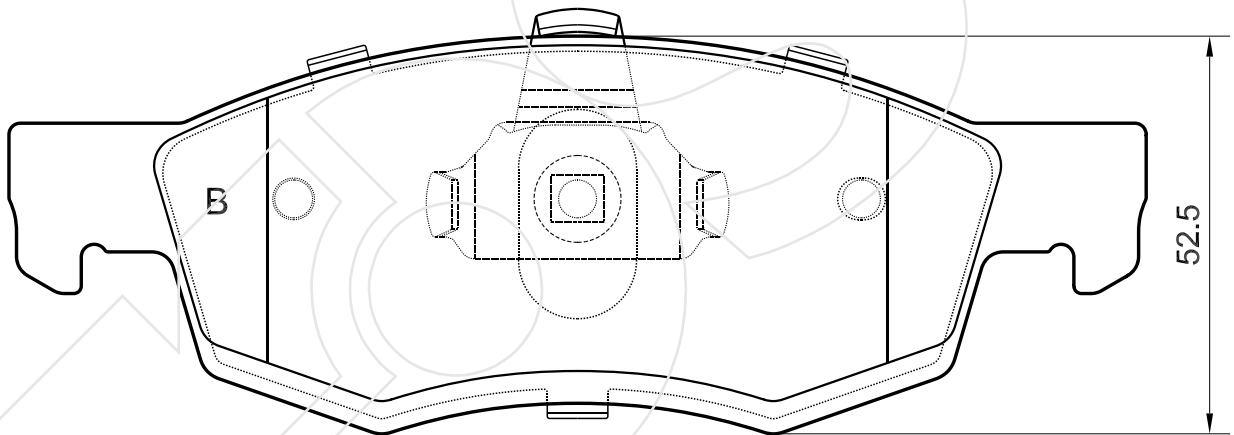
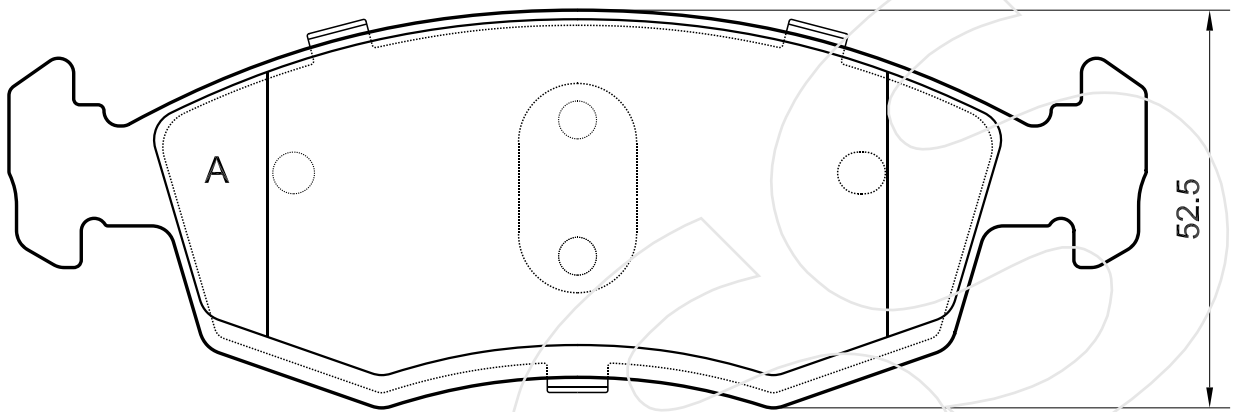
Reference in this Catalogue to other manufactures and to part numbers and other descriptions are for identification purposes only, because the above DISC BRAKE PADS are NOT ORIGINAL but with these interchangeable.

CODICE	IMPIANTO		ASSE	SCALA	APPLICAZIONI
<b>R-1390</b>	KELSEY-HAYES		POSTERIORE	1:1	CHRYSLER
CODICE COMPONENTI	N°	L(mm)	SERIE		
M0000	2	*	2 PEZZI TIPO A		
M0000	2	*	2 PEZZI TIPO B		
*	*	*	*		
*	*	*	*		
CODICE ACCESSORI	N°	L(mm)	NOTE		
*	*	*			
*	*	*			
*	*	*			
*	*	*			



Reference in this Catalogue to other manufactures and to part numbers and other descriptions are for identification purposes only, because the above DISC BRAKE PADS are NOT ORIGINAL but with these interchangeable.

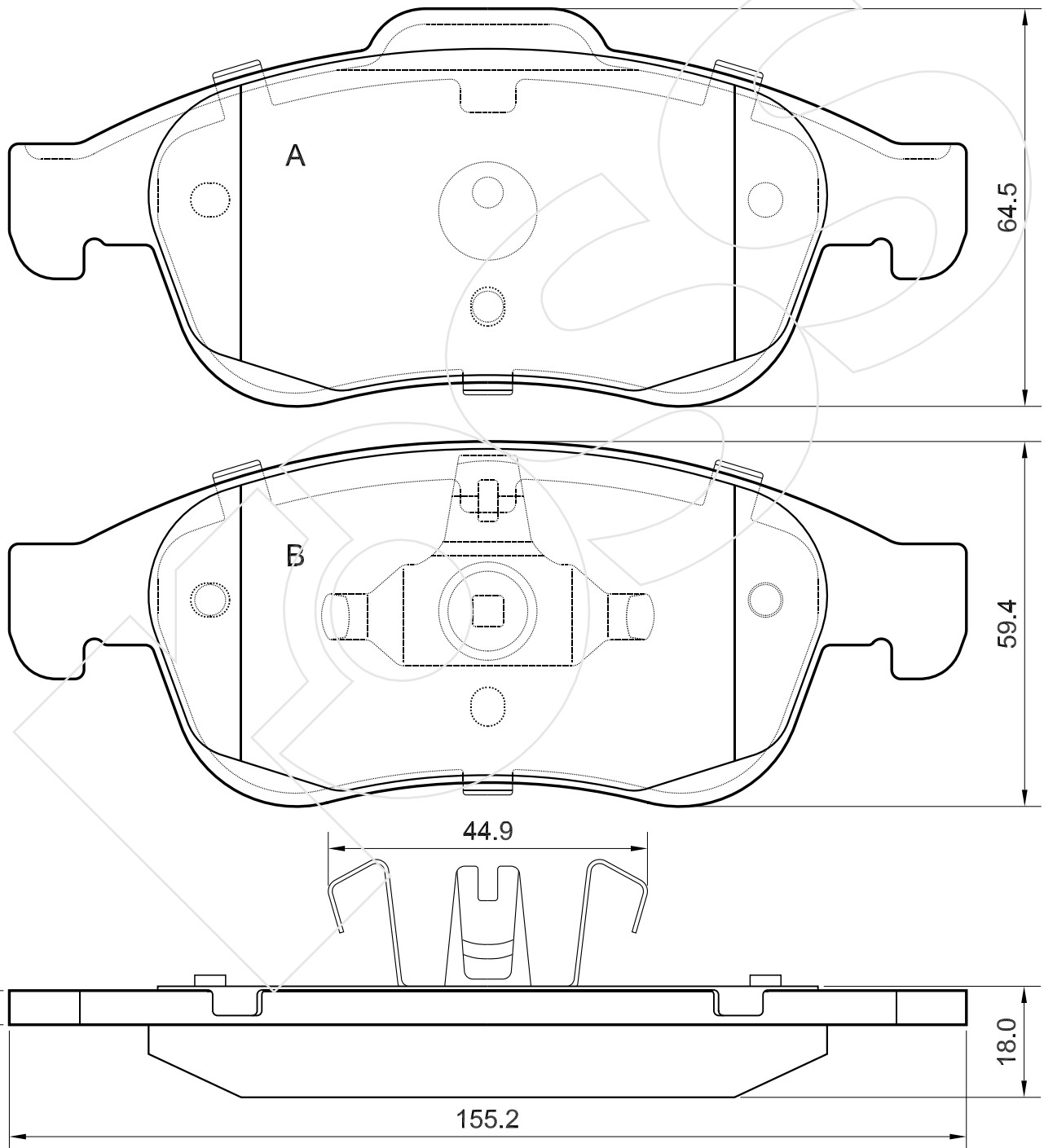
CODICE	IMPIANTO		ASSE	SCALA	APPLICAZIONI
<b>R-1391</b>	ATE		ANTERIORE	1:1	DACIA
CODICE COMPONENTI	N°	L(mm)	SERIE		
*	*	*	2 PEZZI TIPO A		
M0133	2	*	2 PEZZI TIPO B		
*	*	*	*		
*	*	*	*		
CODICE ACCESSORI	N°	L(mm)	NOTE		
*	*	*			
*	*	*			
*	*	*			
*	*	*			



Reference in this Catalogue to other manufactures and to part numbers and other descriptions are for identification purposes only, because the above DISC BRAKE PADS are NOT ORIGINAL but with these interchangeable.

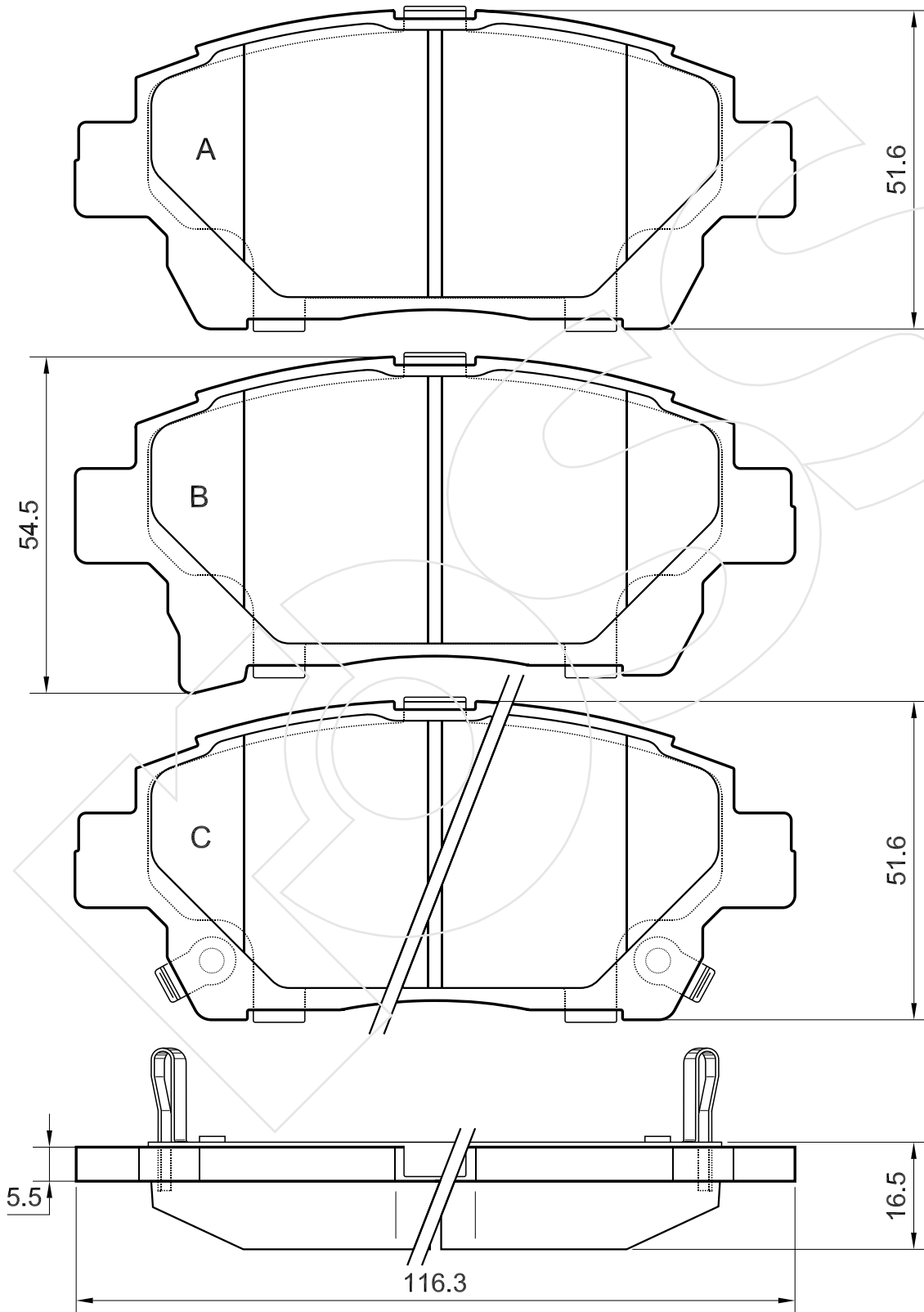


CODICE	IMPIANTO		ASSE	SCALA	APPLICAZIONI
<b>R-1392</b>	ATE		ANTERIORE	1:1	RENAULT
CODICE COMPONENTI	N°	L(mm)	SERIE		
*	*	*	2 PEZZI TIPO A		
M0331	2	*	2 PEZZI TIPO B		
*	*	*	*		
*	*	*	*		
CODICE ACCESSORI	N°	L(mm)	NOTE		
*	*	*			
*	*	*			
*	*	*			
*	*	*			



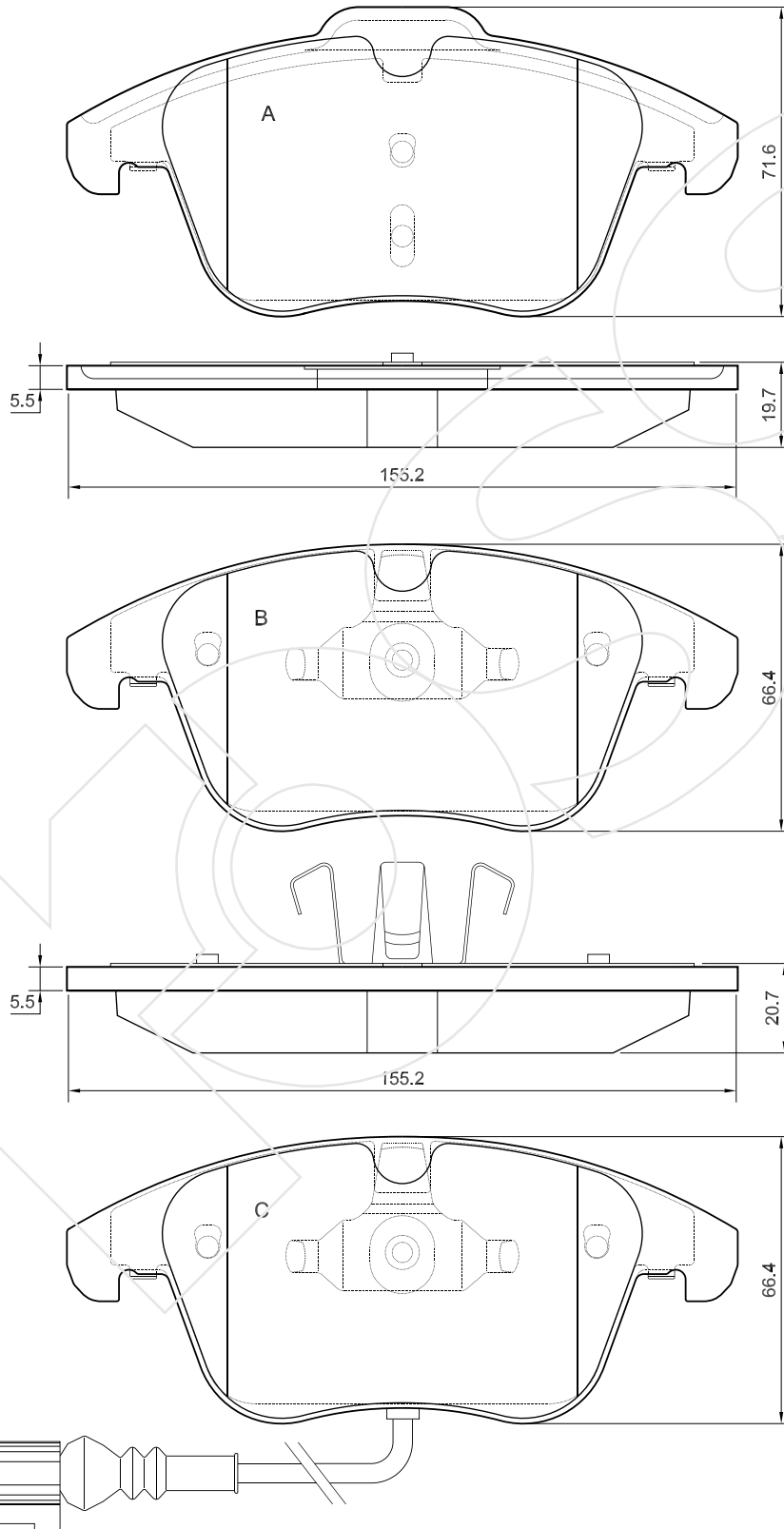
Reference in this Catalogue to other manufactures and to part numbers and other descriptions are for identification purposes only, because the above DISC BRAKE PADS are NOT ORIGINAL but with these interchangeable.

CODICE	IMPIANTO		ASSE	SCALA	APPLICAZIONI
<b>R-1393</b>	ADVICS		ANTERIORE	1:1	TOYOTA
CODICE COMPONENTI	N°	L(mm)	SERIE		
*	*	*	1 PEZZO TIPO A		
*	*	*	1 PEZZO TIPO B		
M0174	2	*	2 PEZZI TIPO C		
*	*	*	*		
CODICE ACCESSORI	N°	L(mm)	NOTE		
*	*	*			
*	*	*			
*	*	*			
*	*	*			



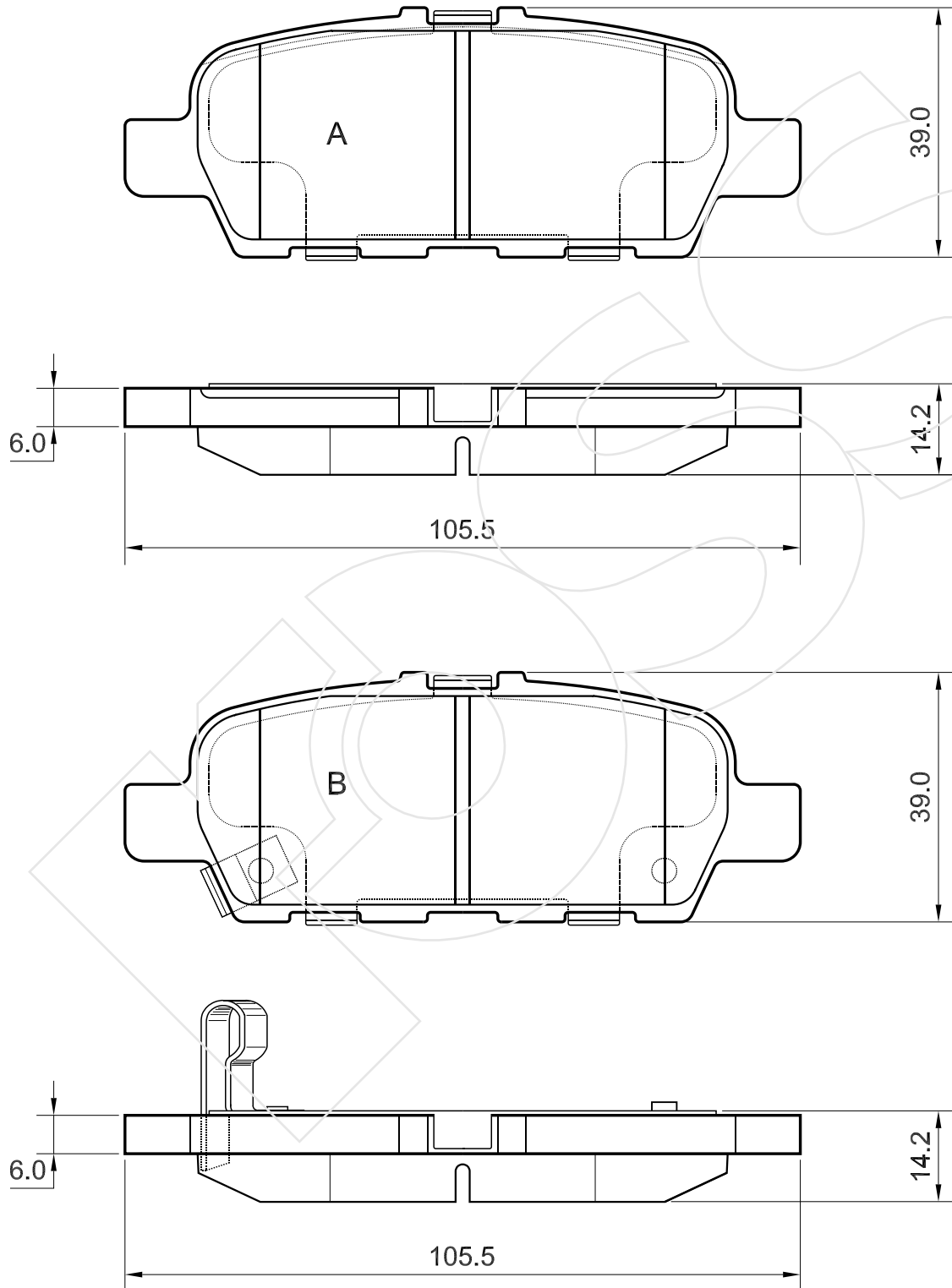
Reference in this Catalogue to other manufactures and to part numbers and other descriptions are for identification purposes only, because the above DISC BRAKE PADS are NOT ORIGINAL but with these interchangeable.

CODICE	IMPIANTO		ASSE	SCALA	APPLICAZIONI
<b>R-1394</b>	ATE		ANTERIORE	60%	VOLKSWAGEN
CODICE COMPONENTI	N°	L(mm)	SERIE		
*	*	*	2 PEZZI TIPO A		
M0284	1	*	1 PEZZO TIPO B		
MM0284+F3114	1+1	155	1 PEZZO TIPO C		
*	*	*	*		
CODICE ACCESSORI	N°	L(mm)	NOTE		
*	*	*			
*	*	*			
*	*	*			
*	*	*			



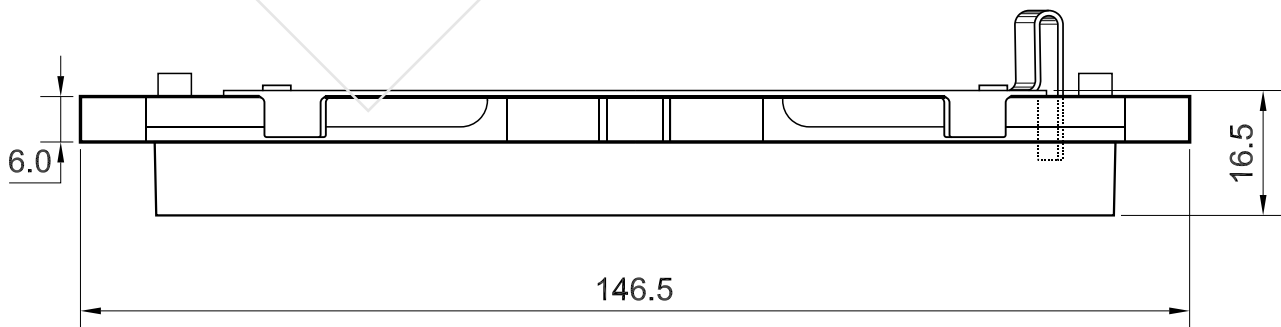
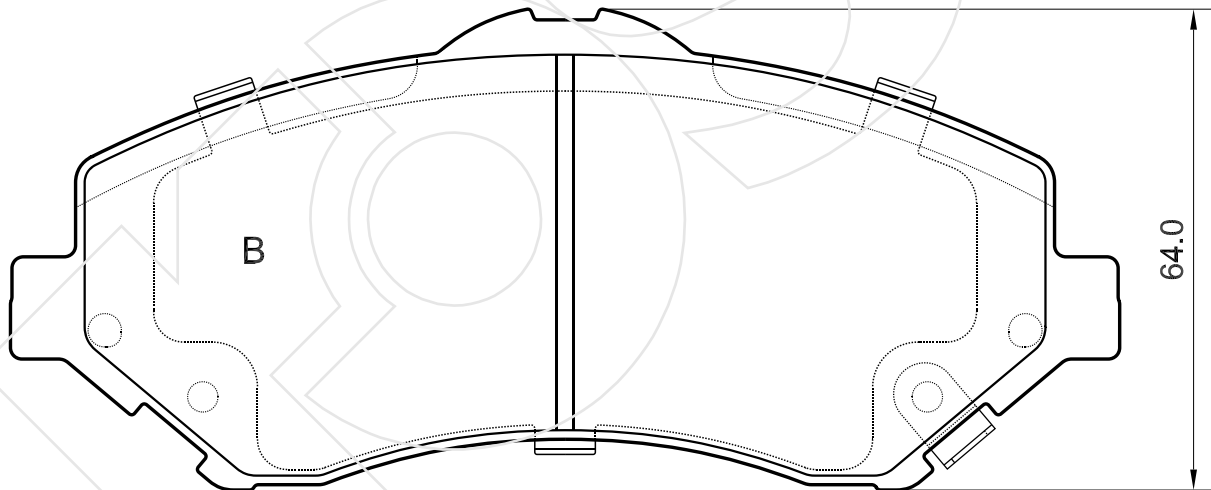
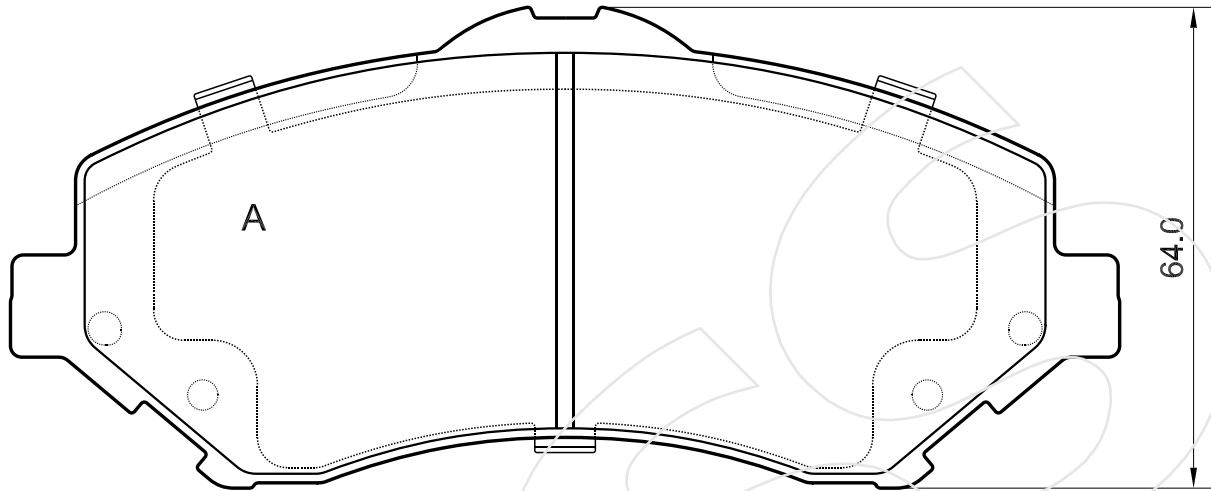
Reference in this Catalogue to other manufactures and to part numbers and other descriptions are for identification purposes only, because the above DISC BRAKE PADS are NOT ORIGINAL but with these interchangeable.

CODICE	IMPIANTO		ASSE	SCALA	APPLICAZIONI
<b>R-1395</b>	AKEBONO		POSTERIORE	1:1	NISSAN
CODICE COMPONENTI	N°	L(mm)	SERIE		SUZUKI
*	*	*	3 PEZZI TIPO A		
M0000	1	*	1 PEZZO TIPO B		
*	*	*	*		
*	*	*	*		
CODICE ACCESSORI	N°	L(mm)	NOTE		
*	*	*			
*	*	*			
*	*	*			
*	*	*			



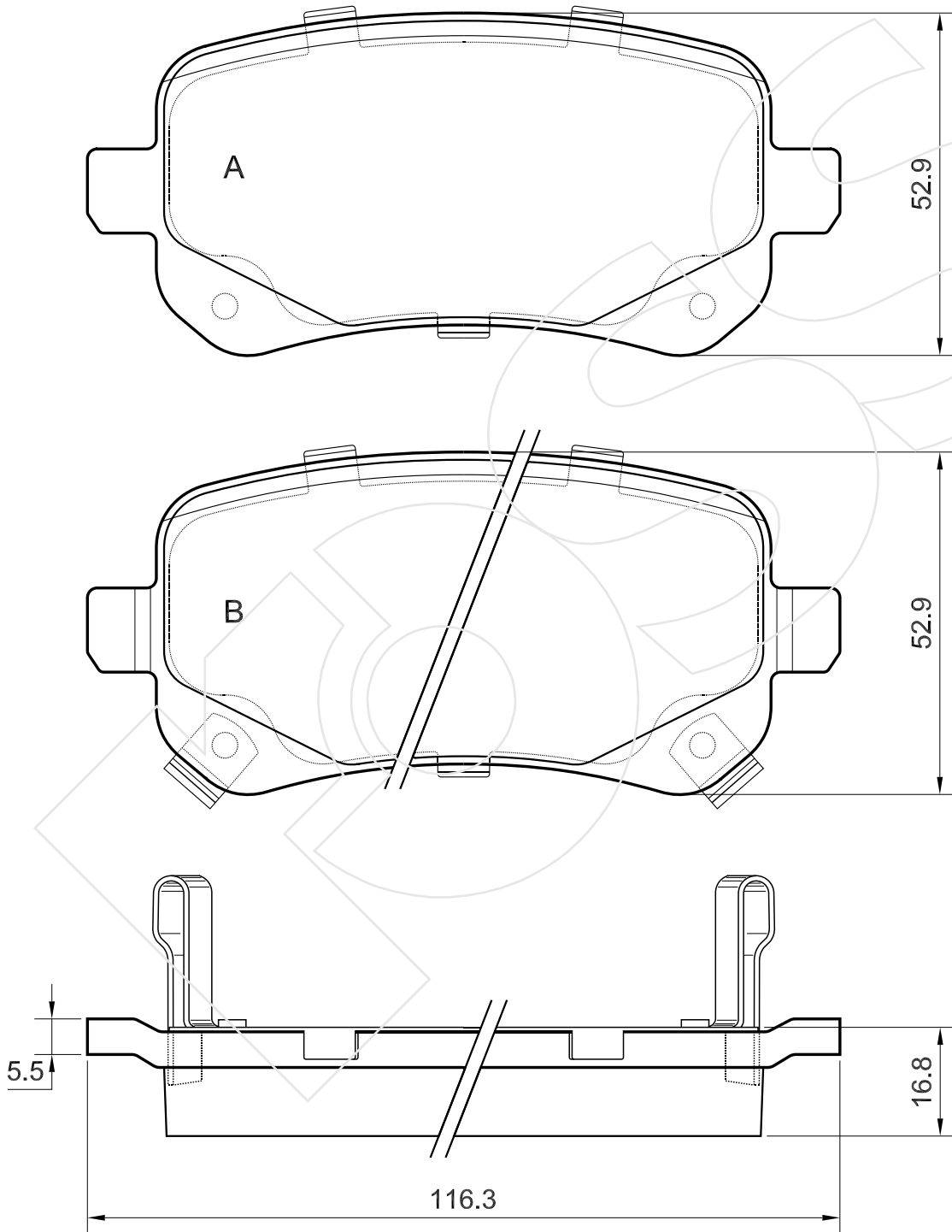
Reference in this Catalogue to other manufactures and to part numbers and other descriptions are for identification purposes only, because the above DISC BRAKE PADS are NOT ORIGINAL but with these interchangeable.

CODICE	IMPIANTO		ASSE	SCALA	APPLICAZIONI
<b>R-1396</b>	BOSCH		ANTERIORE	1:1	CHRYSLER
CODICE COMPONENTI	N°	L(mm)	SERIE		DODGE
*	*	*	2 PEZZI TIPO A		JEEP
M0000	2	*	2 PEZZO TIPO B		
*	*	*	*		
*	*	*	*		
CODICE ACCESSORI	N°	L(mm)	NOTE		
*	*	*			
*	*	*			
*	*	*			
*	*	*			



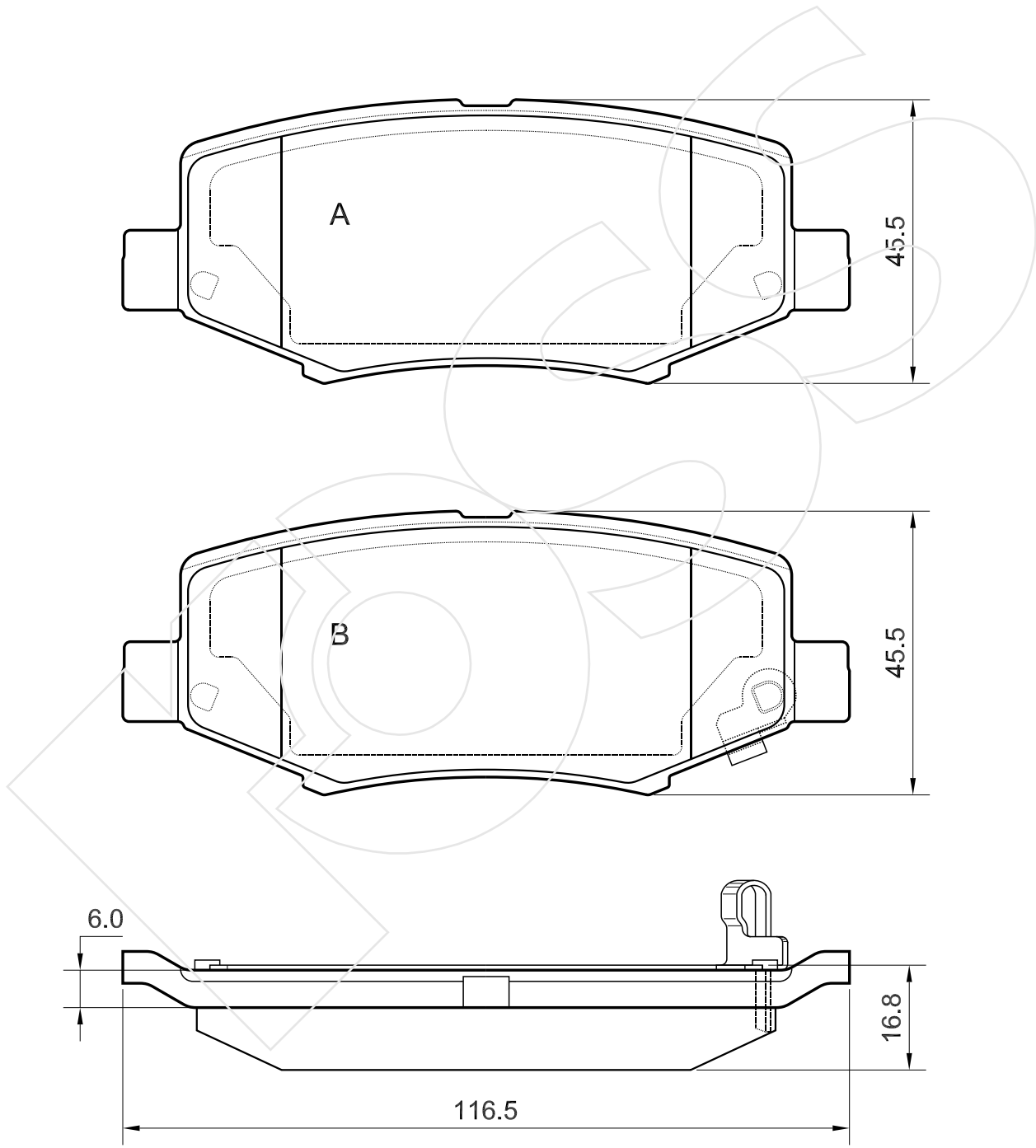
Reference in this Catalogue to other manufactures and to part numbers and other descriptions are for identification purposes only, because the above DISC BRAKE PADS are NOT ORIGINAL but with these interchangeable.

CODICE	IMPIANTO		ASSE	SCALA	APPLICAZIONI
<b>R-1397</b>	LUCAS		POSTERIORE	1:1	DODGE
CODICE COMPONENTI	N°	L(mm)	SERIE		CHRYSLER
A0000	2	*	2 PEZZI TIPO A		
A0000+M0000	2+2	*	2 PEZZI TIPO B		
*	*	*	*		
*	*	*	*		
CODICE ACCESSORI	N°	L(mm)	NOTE		
*	*	*			
*	*	*			
*	*	*			
*	*	*			



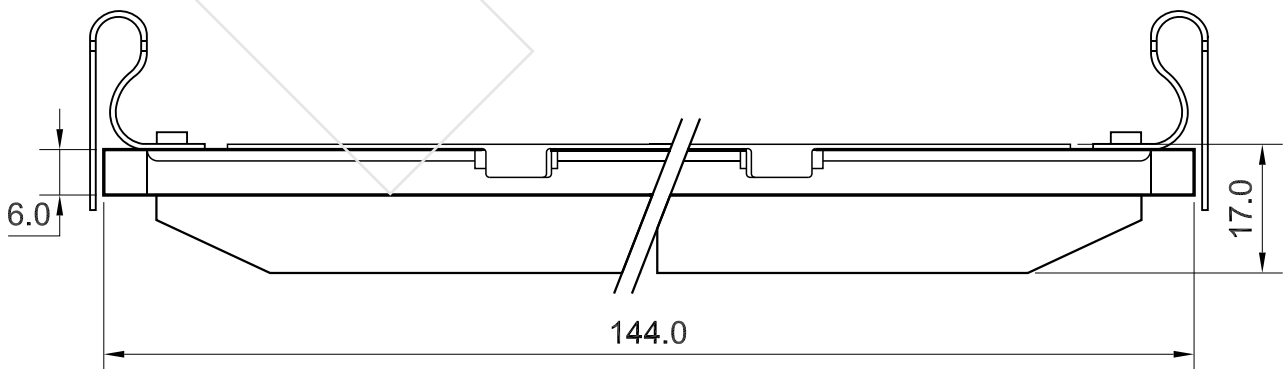
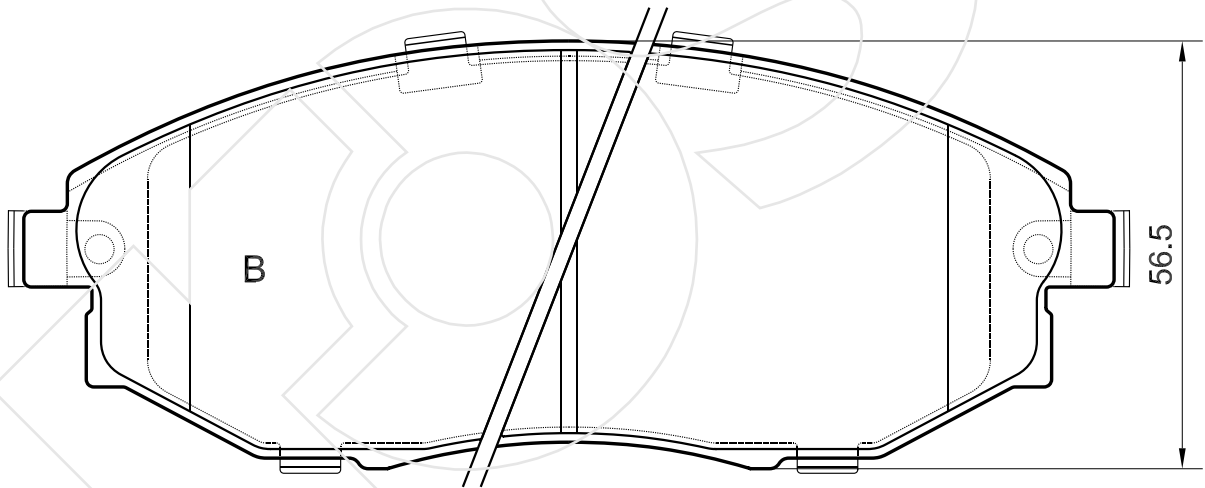
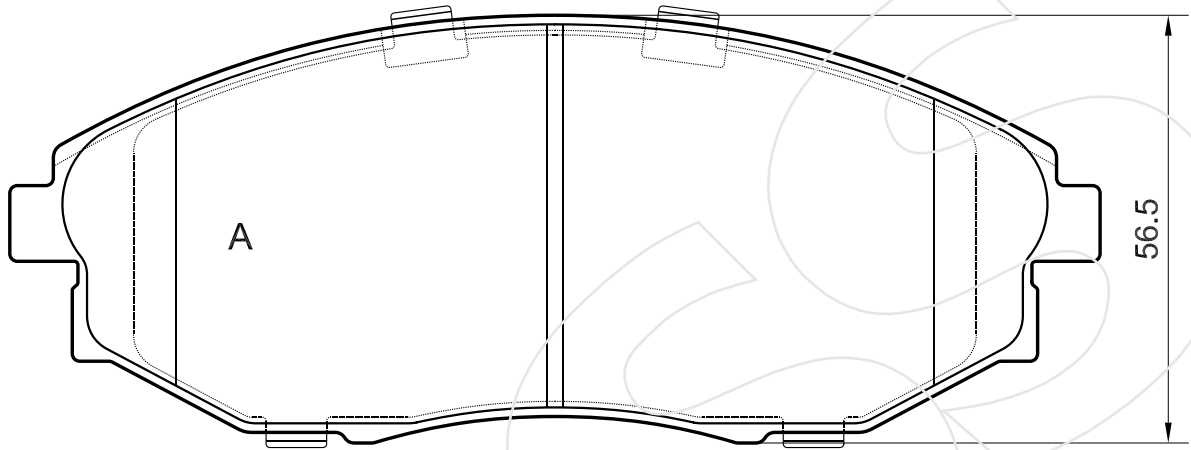
Reference in this Catalogue to other manufactures and to part numbers and other descriptions are for identification purposes only, because the above DISC BRAKE PADS are NOT ORIGINAL but with these interchangeable.

CODICE	IMPIANTO		ASSE	SCALA	APPLICAZIONI
<b>R-1398</b>	*		POSTERIORE	1:1	JEEP
CODICE COMPONENTI	N°	L(mm)	SERIE		
A0000	2	*	2 PEZZI TIPO A		
A0000+M0094	2+2	*	2 PEZZO TIPO B		
*	*	*	*		
*	*	*	*		
CODICE ACCESSORI	N°	L(mm)	NOTE		
*	*	*			
*	*	*			
*	*	*			
*	*	*			



Reference in this Catalogue to other manufactures and to part numbers and other descriptions are for identification purposes only, because the above DISC BRAKE PADS are NOT ORIGINAL but with these interchangeable.

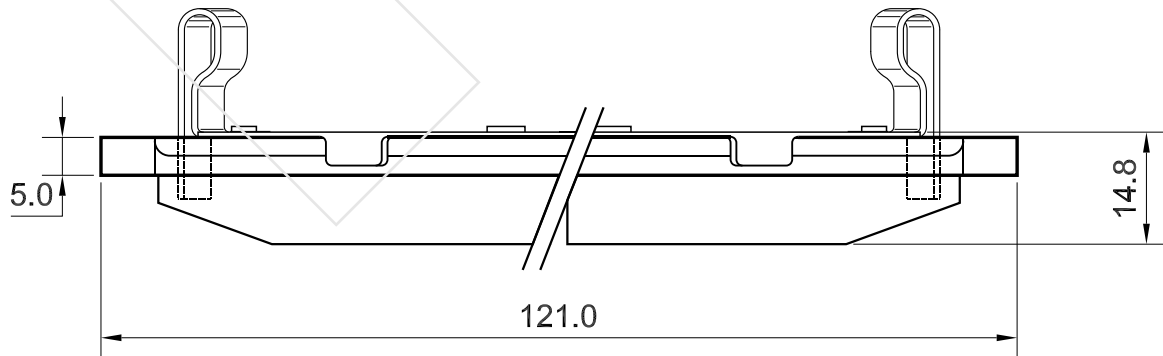
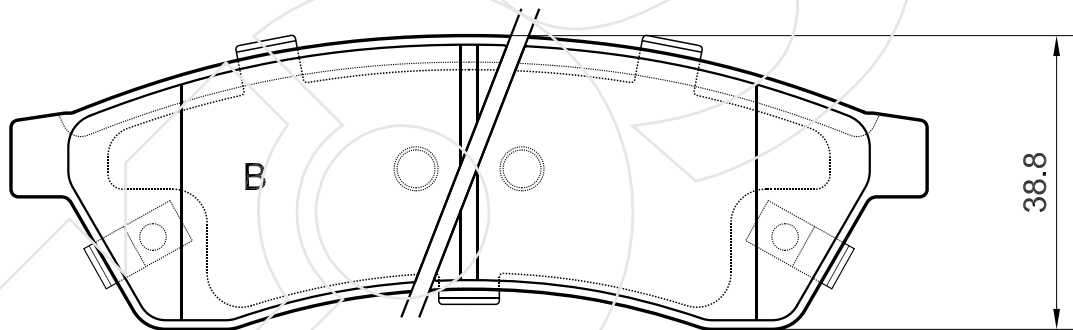
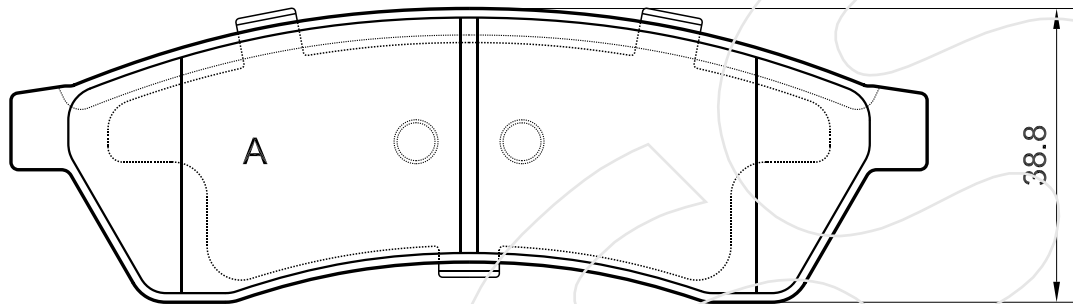
CODICE	IMPIANTO		ASSE	SCALA	APPLICAZIONI
<b>R-1399</b>	AKEBONO		ANTERIORE	1:1	CHEVROLET
CODICE COMPONENTI	N°	L(mm)	SERIE		
A0000	*	*	2 PEZZI TIPO A		
M0000+A0000	2+2	*	2 PEZZI TIPO B		
*	*	*	*		
*	*	*	*		
CODICE ACCESSORI	N°	L(mm)	NOTE		
*	*	*			
*	*	*			
*	*	*			
*	*	*			



Reference in this Catalogue to other manufactures and to part numbers and other descriptions are for identification purposes only, because the above DISC BRAKE PADS are NOT ORIGINAL but with these interchangeable.

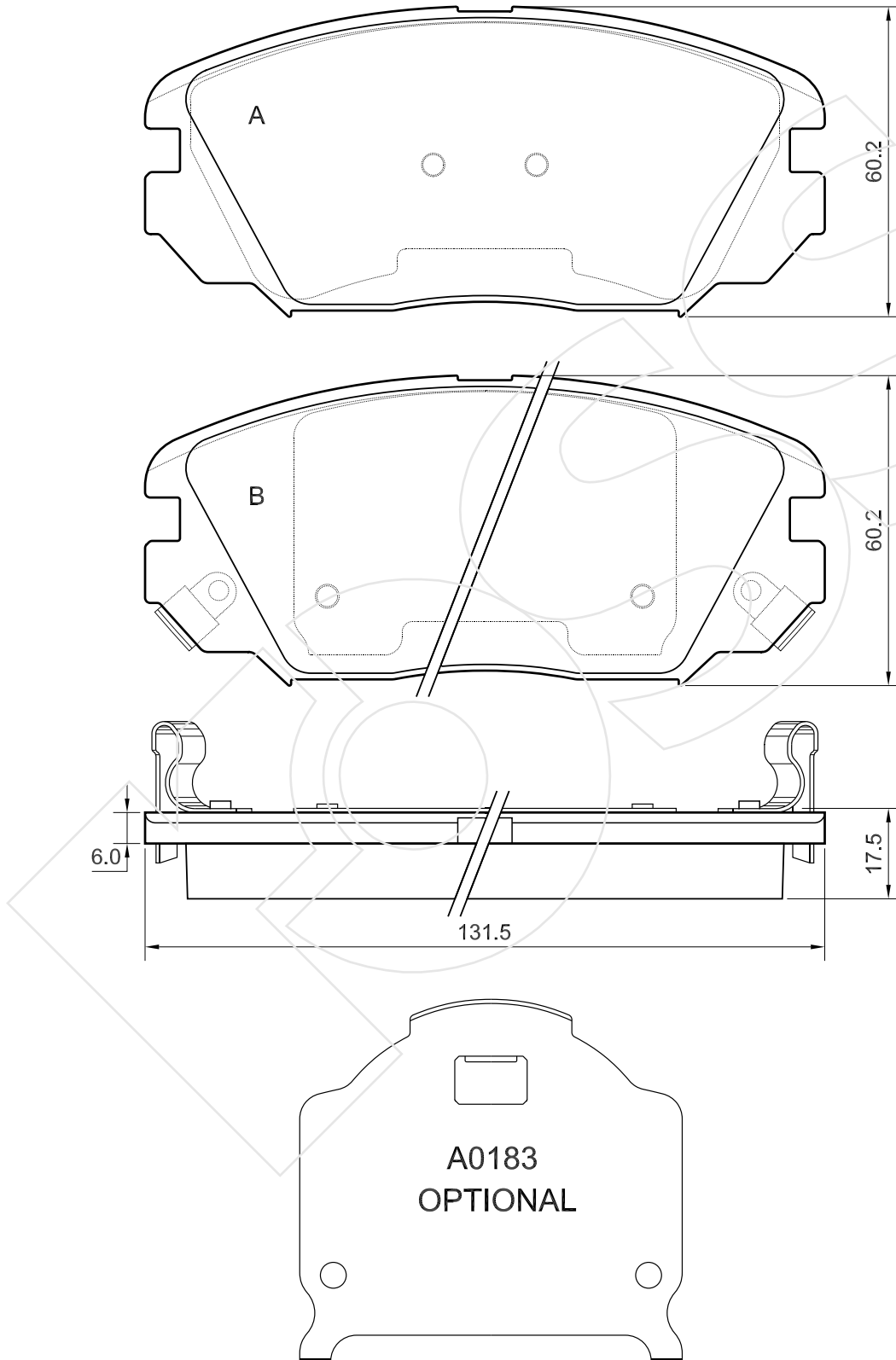


CODICE	IMPIANTO		ASSE	SCALA	APPLICAZIONI
<b>R-1400</b>	SUMITOMO		POSTERIORE	1:1	CHEVROLET
CODICE COMPONENTI	N°	L(mm)	SERIE		
*	*	*	2 PEZZI TIPO A		
M0000	2	*	2 PEZZI TIPO B		
*	*	*	*		
*	*	*	*		
CODICE ACCESSORI	N°	L(mm)	NOTE		
*	*	*			
*	*	*			
*	*	*			
*	*	*			



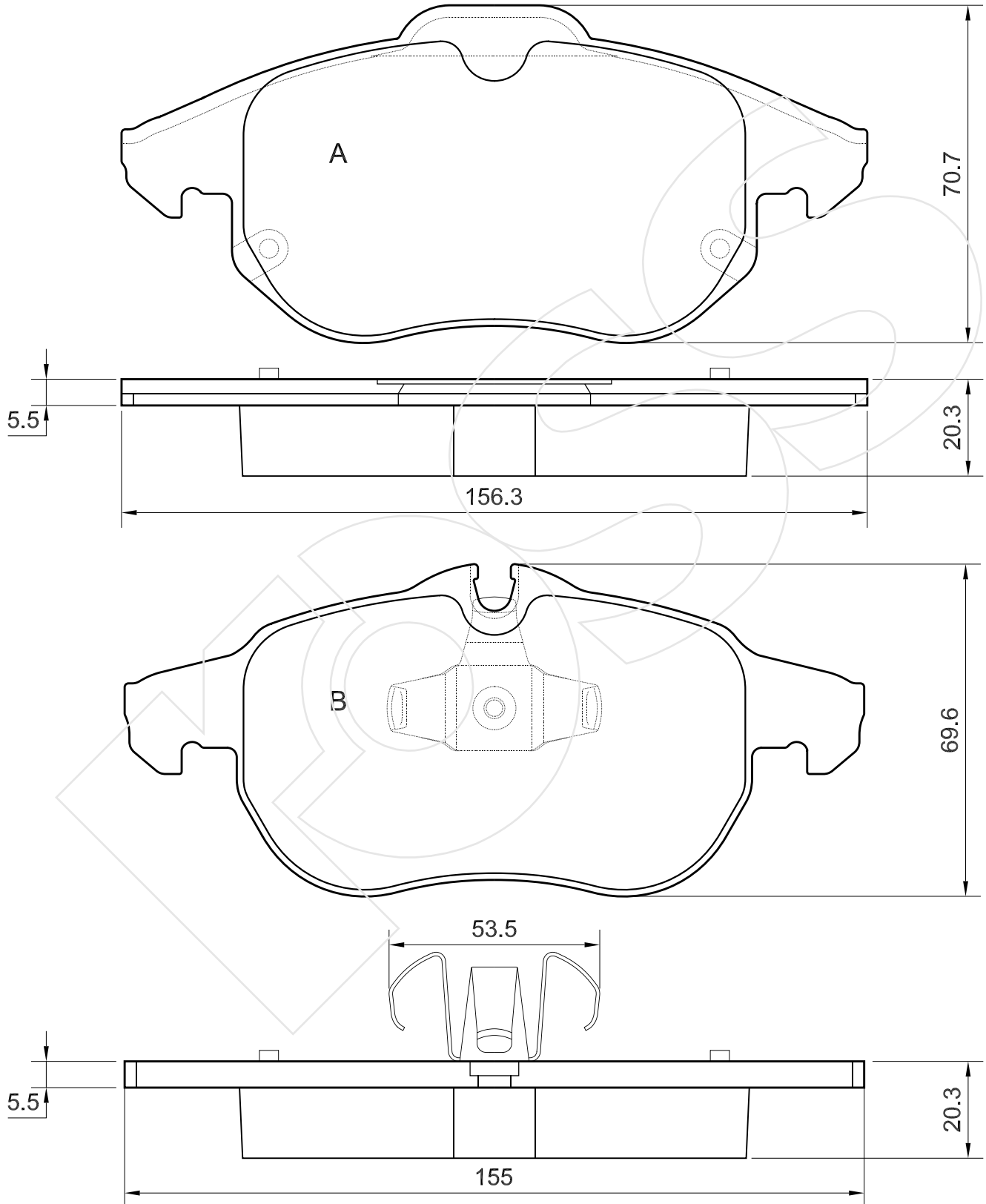
Reference in this Catalogue to other manufactures and to part numbers and other descriptions are for identification purposes only, because the above DISC BRAKE PADS are NOT ORIGINAL but with these interchangeable.

CODICE	IMPIANTO		ASSE	SCALA	APPLICAZIONI
<b>R-1401</b>	MANDO		ANTERIORE	80%	HYUNDAI
CODICE COMPONENTI	N°	L(mm)	SERIE		
A0181	2	*	2 PEZZI TIPO A		
M0000+A0182	2+2	*	2 PEZZI TIPO B		
*	*	*	*		
*	*	*	*		
CODICE ACCESSORI	N°	L(mm)	NOTE		
A0183	2	*			
*	*	*			
*	*	*			
*	*	*			



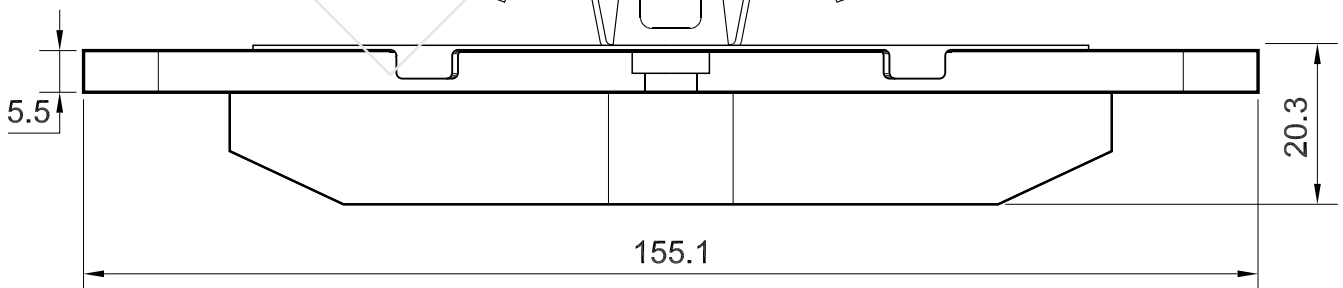
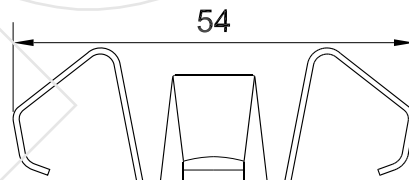
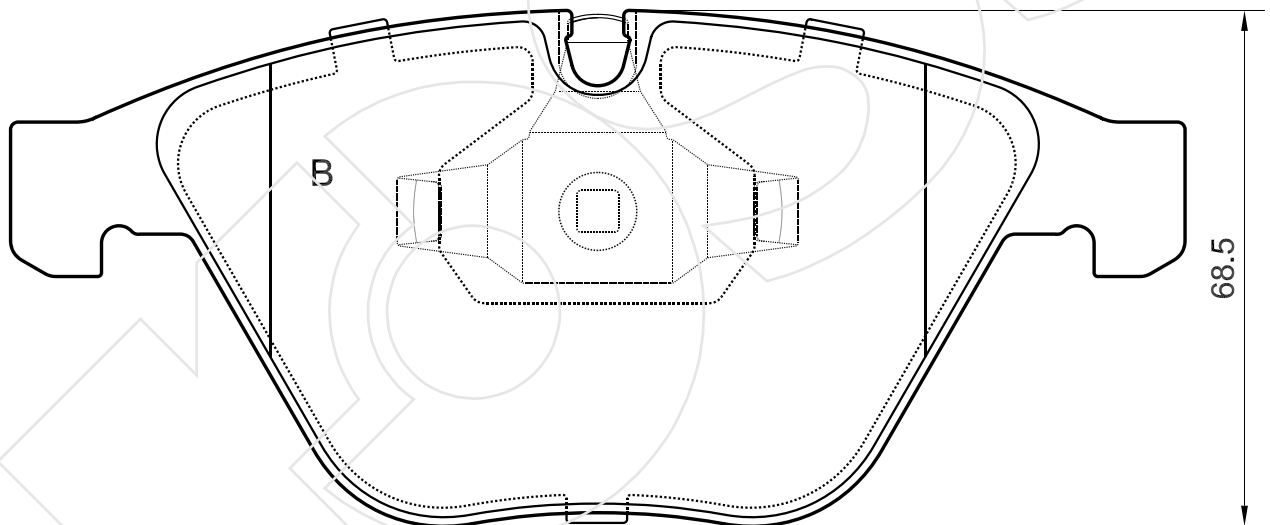
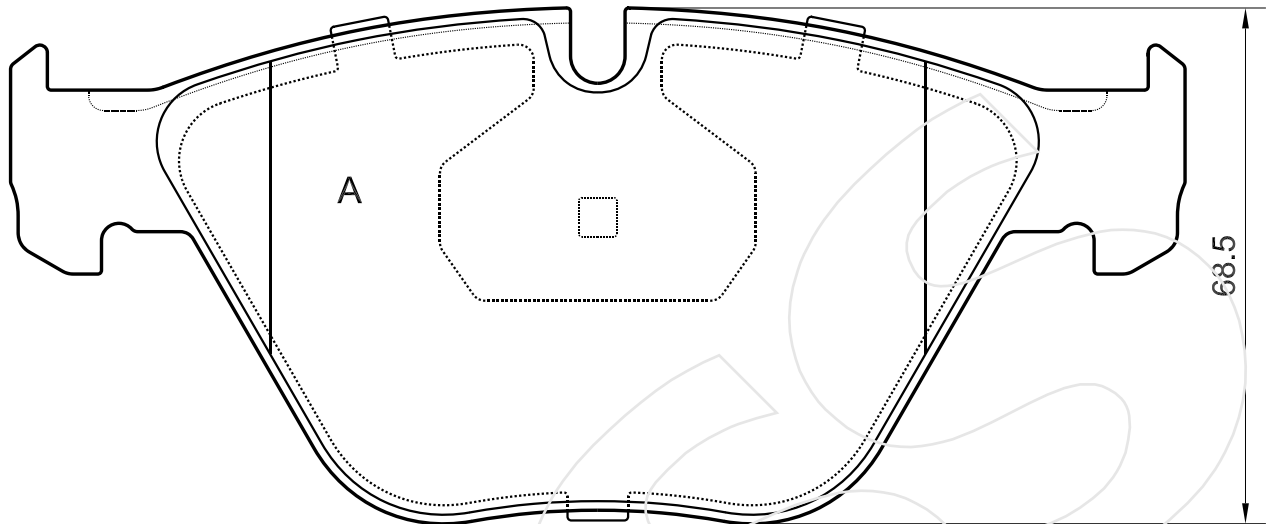
Reference in this Catalogue to other manufactures and to part numbers and other descriptions are for identification purposes only, because the above DISC BRAKE PADS are NOT ORIGINAL but with these interchangeable.

CODICE	IMPIANTO		ASSE	SCALA	APPLICAZIONI
<b>R-1402</b>	ATE		ANTERIORE	85%	FIAT
CODICE COMPONENTI	N°	L(mm)	SERIE		
*	*	*	2 PEZZI TIPO A		
M0284	2	*	2 PEZZI TIPO B		
*	*	*	*		
*	*	*	*		
CODICE ACCESSORI	N°	L(mm)	NOTE		
*	*	*			
*	*	*			
*	*	*			
*	*	*			



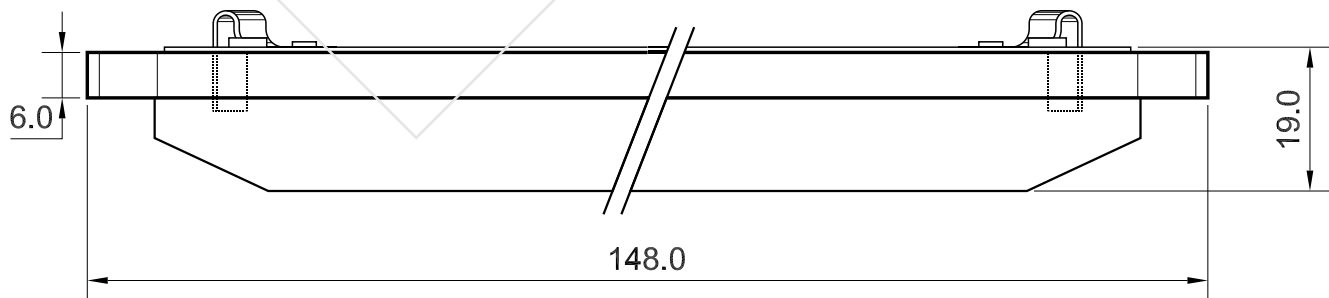
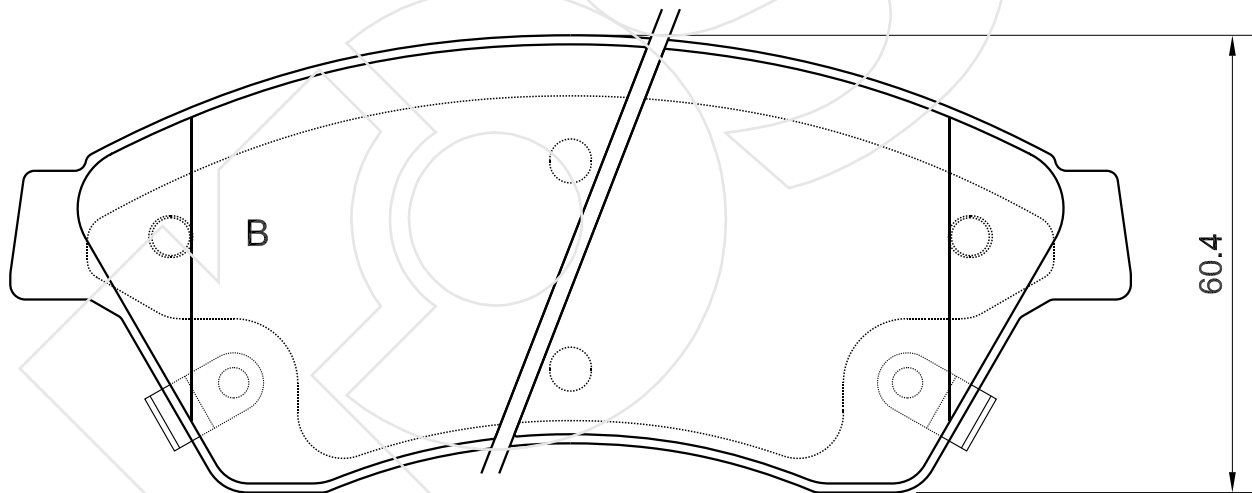
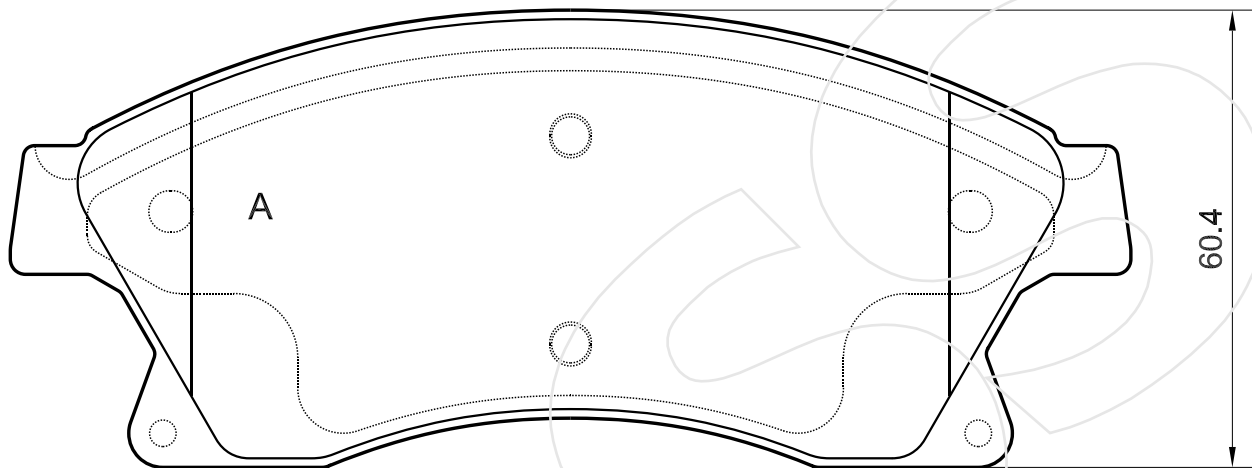
Reference in this Catalogue to other manufactures and to part numbers and other descriptions are for identification purposes only, because the above DISC BRAKE PADS are NOT ORIGINAL but with these interchangeable.

CODICE	IMPIANTO		ASSE	SCALA	APPLICAZIONI
<b>R-1403</b>	ATE		ANTERIORE	1:1	BMW
CODICE COMPONENTI	N°	L(mm)	SERIE		
*	*	*	2 PEZZI TIPO A		
M0284	2	*	2 PEZZI TIPO B		
*	*	*	*		
*	*	*	*		
CODICE ACCESSORI	N°	L(mm)	NOTE		
*	*	*			
*	*	*			
*	*	*			
*	*	*			



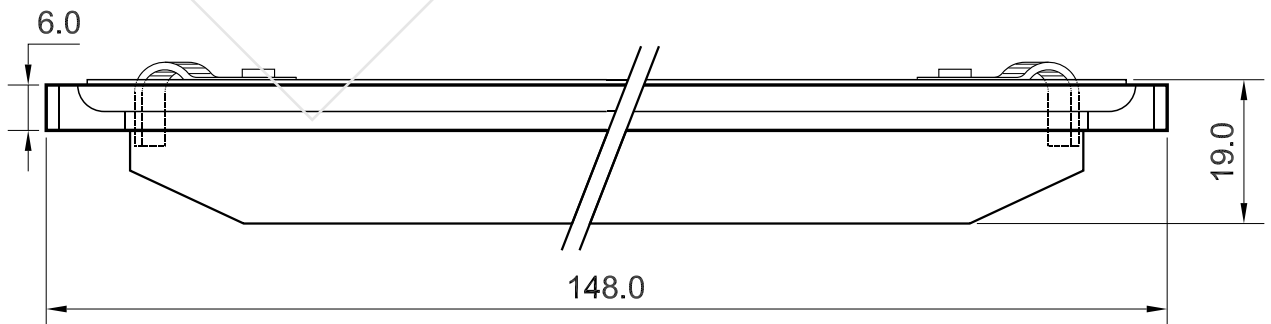
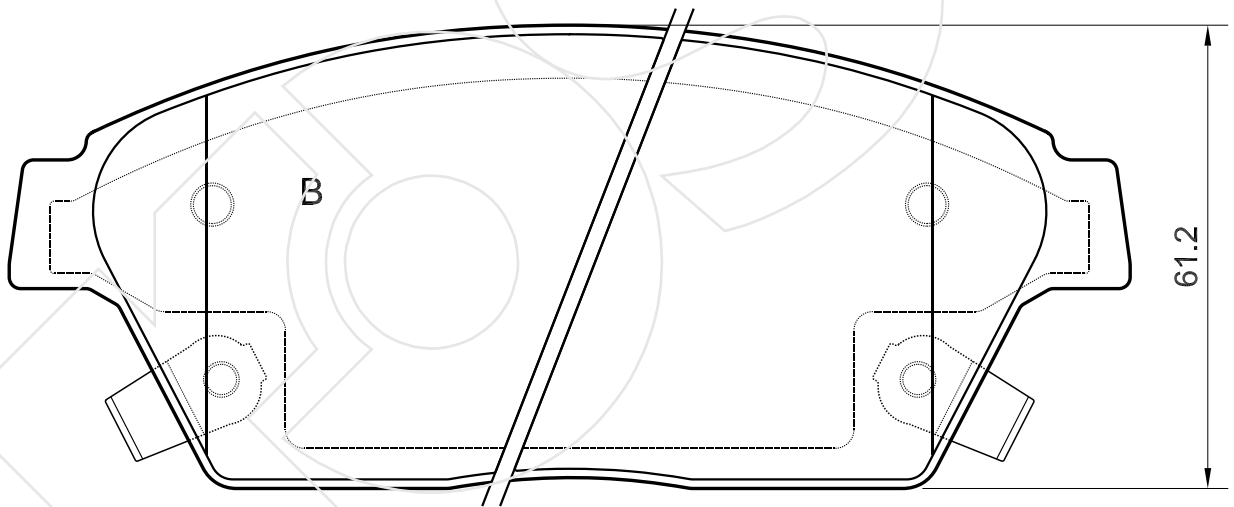
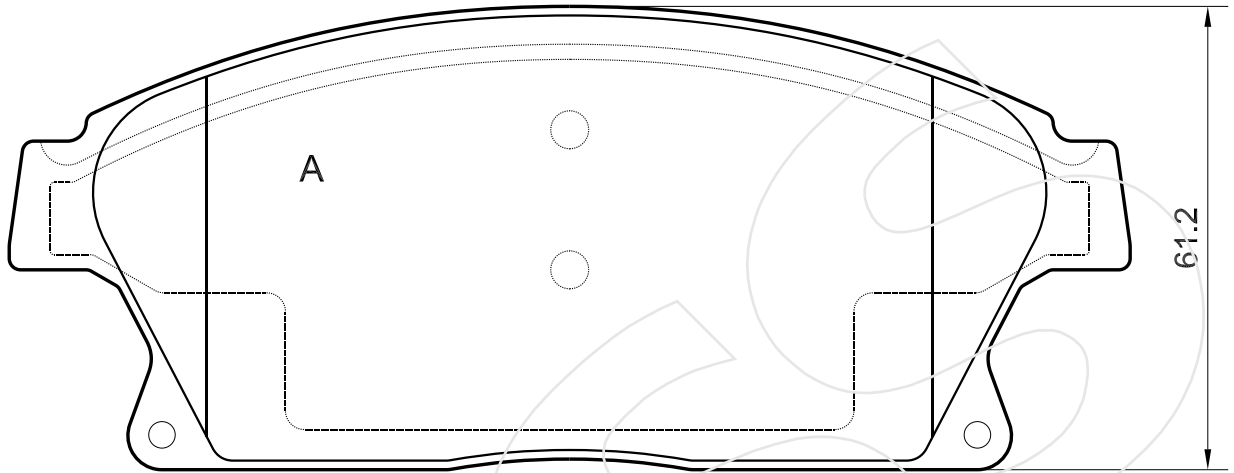
Reference in this Catalogue to other manufactures and to part numbers and other descriptions are for identification purposes only, because the above DISC BRAKE PADS are NOT ORIGINAL but with these interchangeable.

CODICE	IMPIANTO		ASSE	SCALA	APPLICAZIONI
<b>R-1404</b>	*		ANTERIORE	1:1	OPEL
CODICE COMPONENTI	N°	L(mm)	SERIE		CHEVROLET
*	*	*	2 PEZZI TIPO A		
M0000	2	*	2 PEZZI TIPO B		
*	*	*	*		
*	*	*	*		
CODICE ACCESSORI	N°	L(mm)	NOTE		
*	*	*			
*	*	*			
*	*	*			
*	*	*			



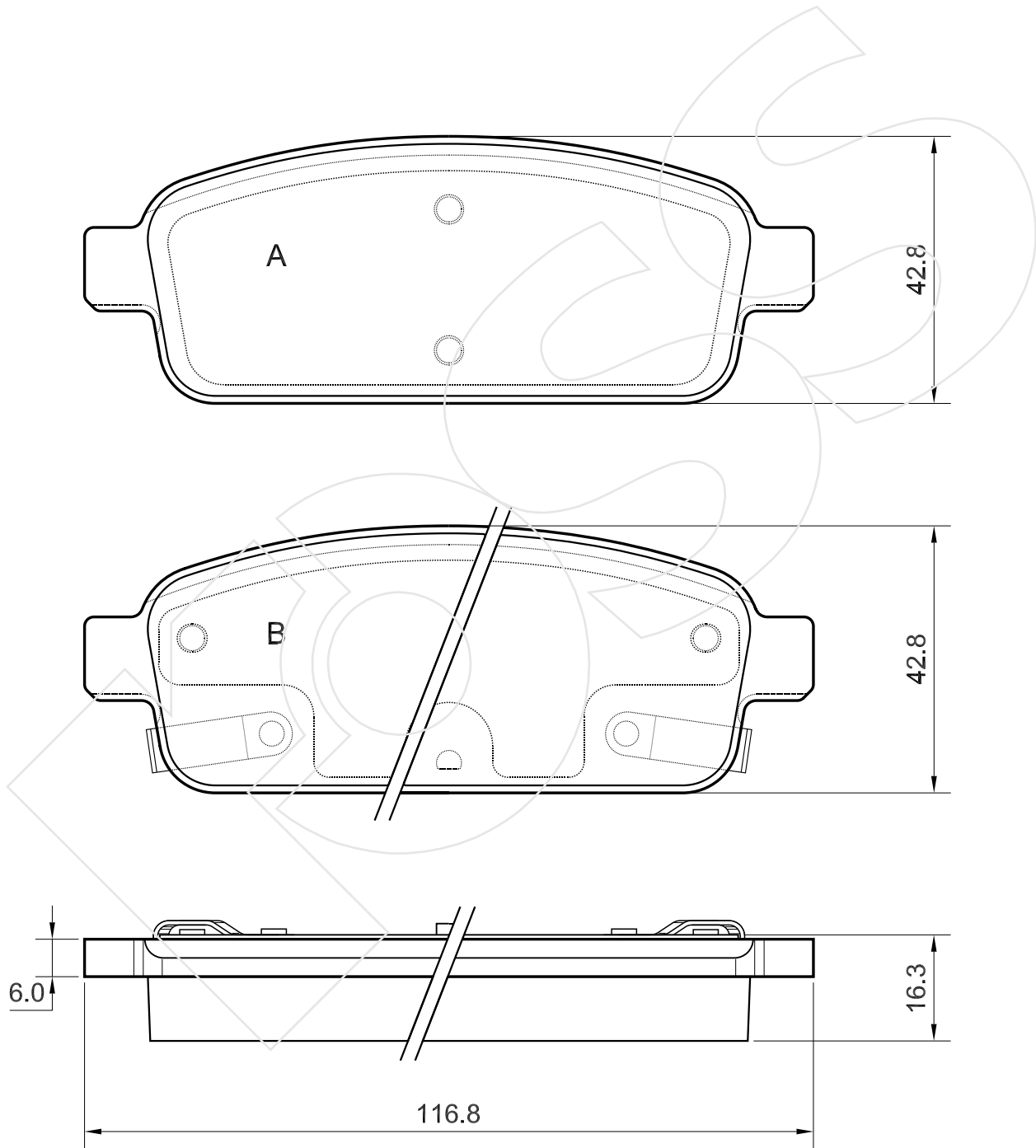
Reference in this Catalogue to other manufactures and to part numbers and other descriptions are for identification purposes only, because the above DISC BRAKE PADS are NOT ORIGINAL but with these interchangeable.

CODICE	IMPIANTO		ASSE	SCALA	APPLICAZIONI
<b>R-1405</b>	BOSCH		ANTERIORE	1:1	OPEL 9- CHEVROLET
CODICE COMPONENTI	N°	L(mm)	SERIE		
A0000	2	*	2 PEZZI TIPO A		
A0000+M0000	2+2	*	2 PEZZI TIPO B		
*	*	*	*		
*	*	*	*		
CODICE ACCESSORI	N°	L(mm)	NOTE		
*	*	*			
*	*	*			
*	*	*			
*	*	*			



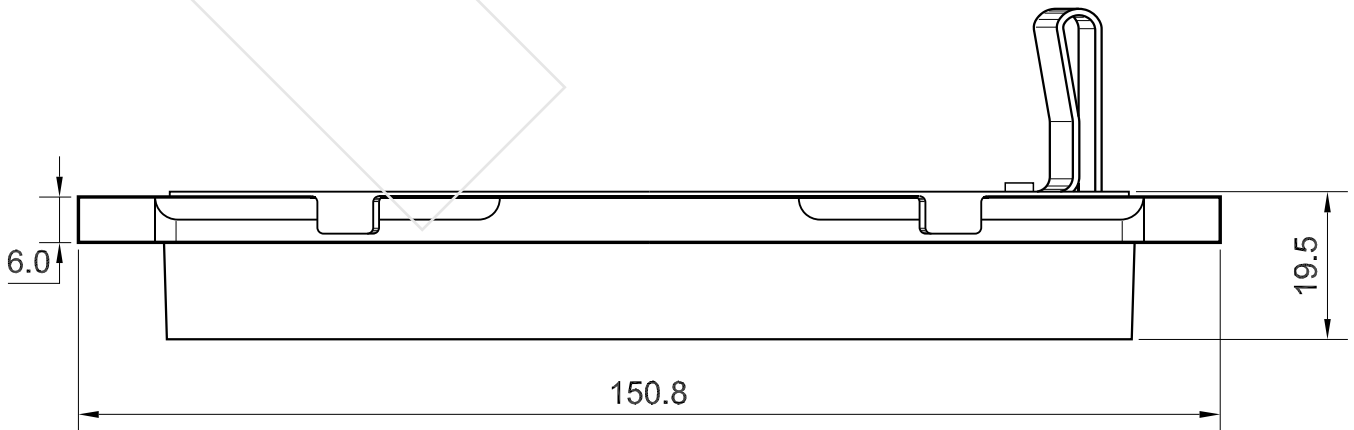
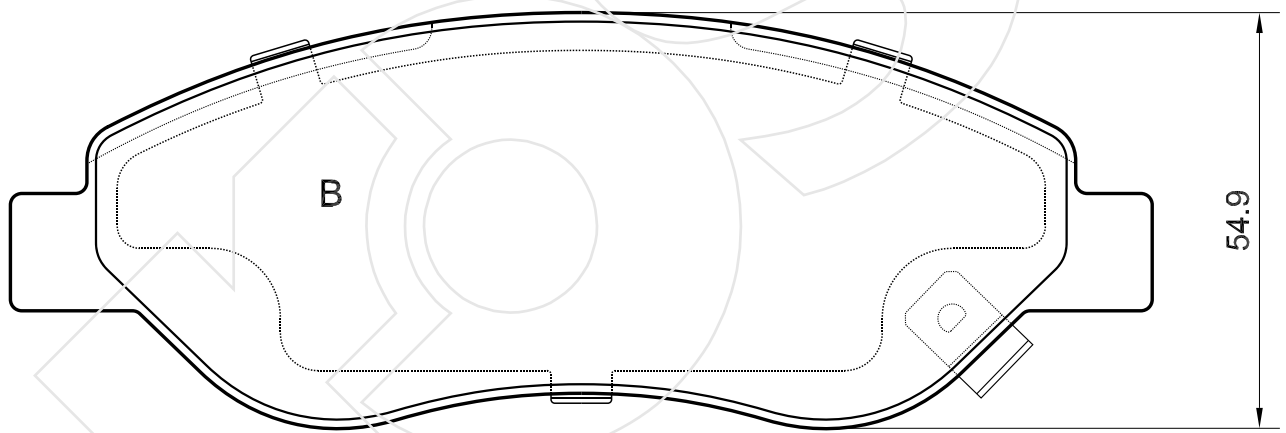
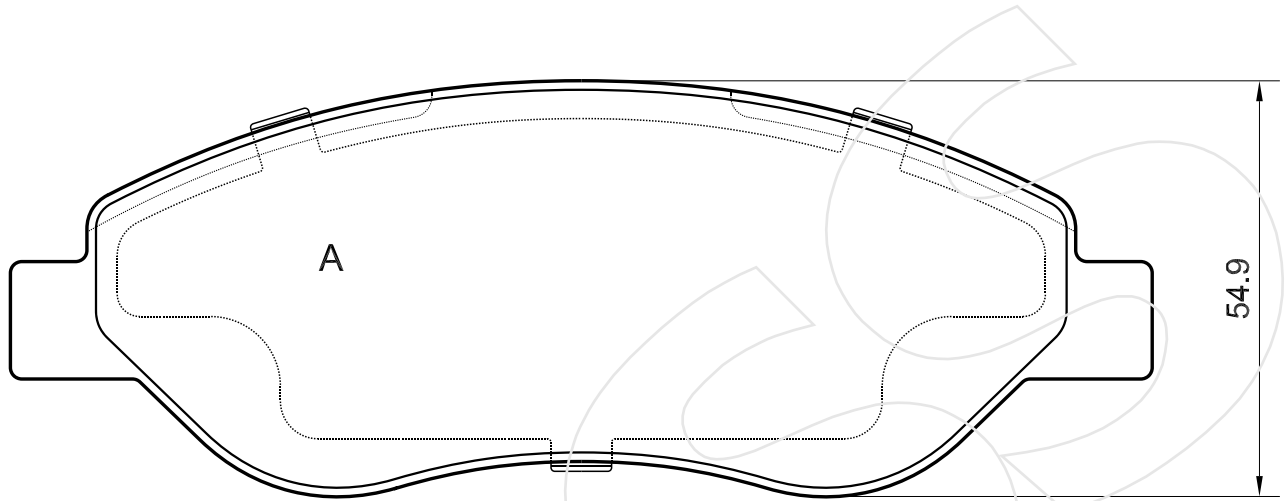
Reference in this Catalogue to other manufactures and to part numbers and other descriptions are for identification purposes only, because the above DISC BRAKE PADS are NOT ORIGINAL but with these interchangeable.

CODICE	IMPIANTO		ASSE	SCALA	APPLICAZIONI
<b>R-1406</b>	*		POSTERIORE	1:1	OPEL CHEVROLET
CODICE COMPONENTI	N°	L(mm)	SERIE		
*	*	*	2 PEZZI TIPO A		
M0000	2	*	2 PEZZI TIPO B		
*	*	*	*		
*	*	*	*		
CODICE ACCESSORI	N°	L(mm)	NOTE		
*	*	*			
*	*	*			
*	*	*			
*	*	*			



Reference in this Catalogue to other manufactures and to part numbers and other descriptions are for identification purposes only, because the above DISC BRAKE PADS are NOT ORIGINAL but with these interchangeable.

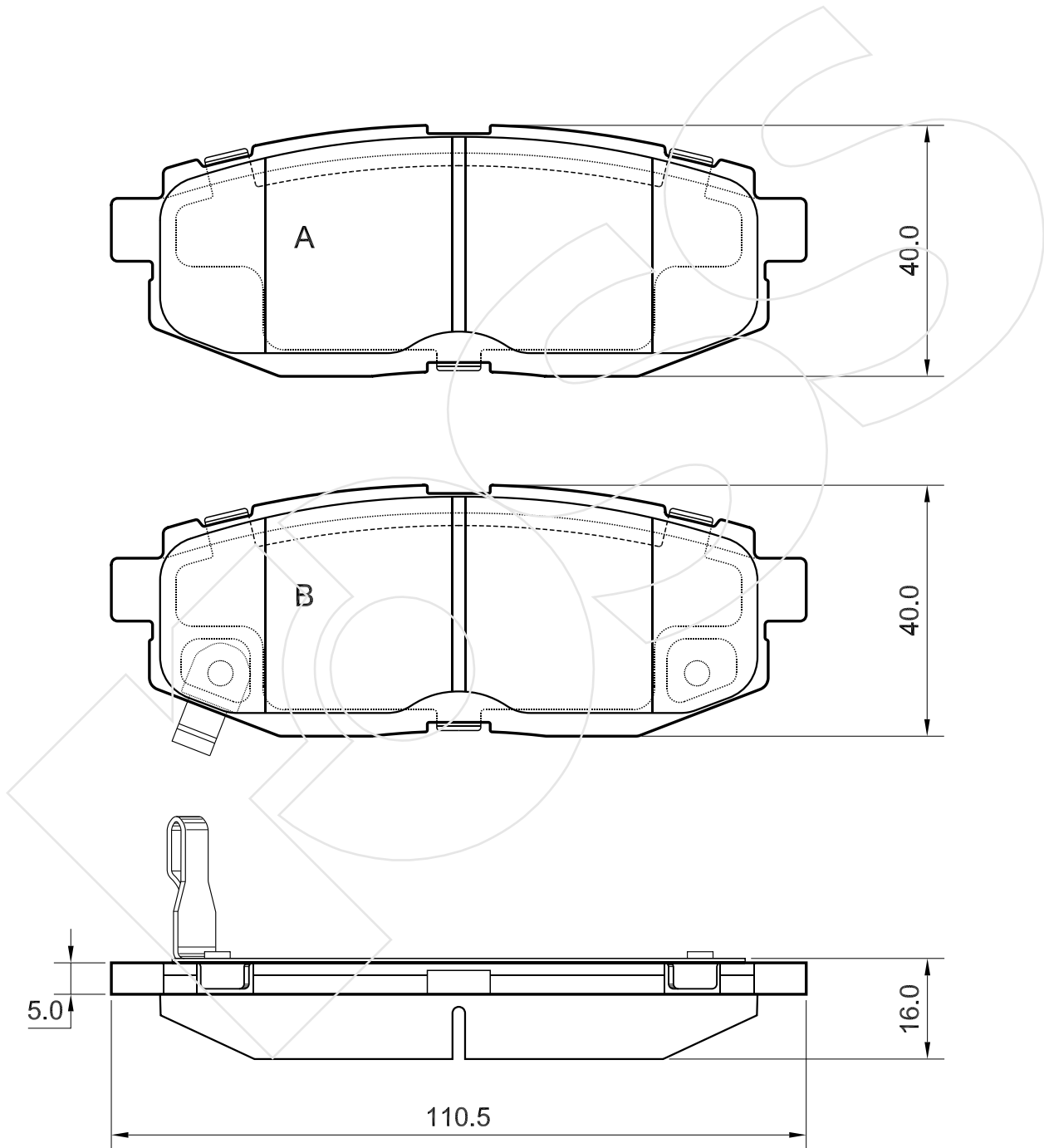
CODICE	IMPIANTO		ASSE	SCALA	APPLICAZIONI
<b>R-1407</b>	BOSCH		ANTERIORE	1:1	OPEL
CODICE COMPONENTI	N°	L(mm)	SERIE		
*	*	*	3 PEZZI TIPO A		
M0156	1	*	1 PEZZO TIPO B		
*	*	*	*		
*	*	*	*		
CODICE ACCESSORI	N°	L(mm)	NOTE		
*	*	*			
*	*	*			
*	*	*			
*	*	*			



Reference in this Catalogue to other manufactures and to part numbers and other descriptions are for identification purposes only, because the above DISC BRAKE PADS are NOT ORIGINAL but with these interchangeable.

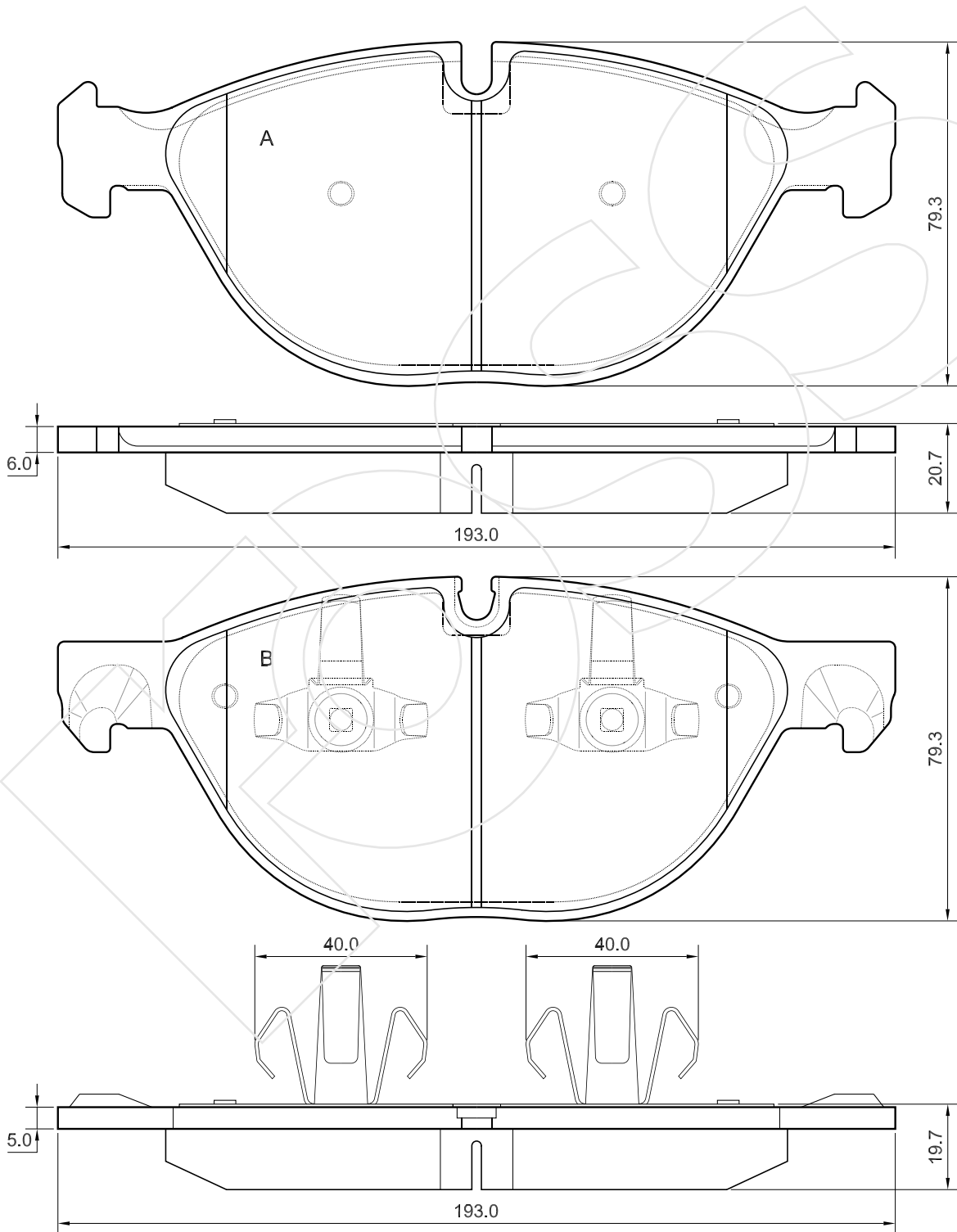


CODICE	IMPIANTO		ASSE	SCALA	APPLICAZIONI
<b>R-1408</b>	NBK		POSTERIORE	1:1	SUBARU 5-
CODICE COMPONENTI	N°	L(mm)	SERIE		
*	*	*	3 PEZZI TIPO A		
M0313	1	*	1 PEZZI TIPO B		
*	*	*	*		
CODICE ACCESSORI	N°	L(mm)	NOTE		
*	*	*			
*	*	*			
*	*	*			
*	*	*			



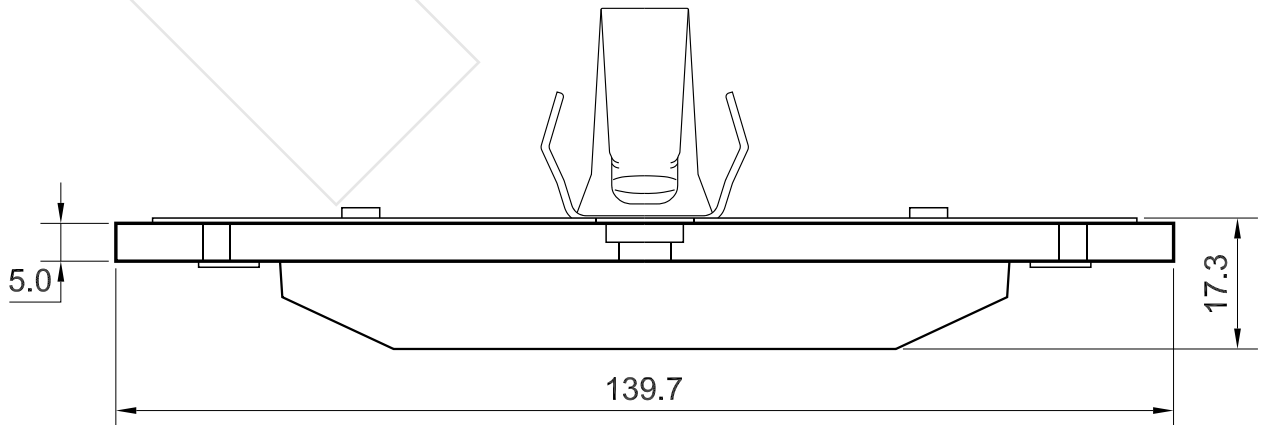
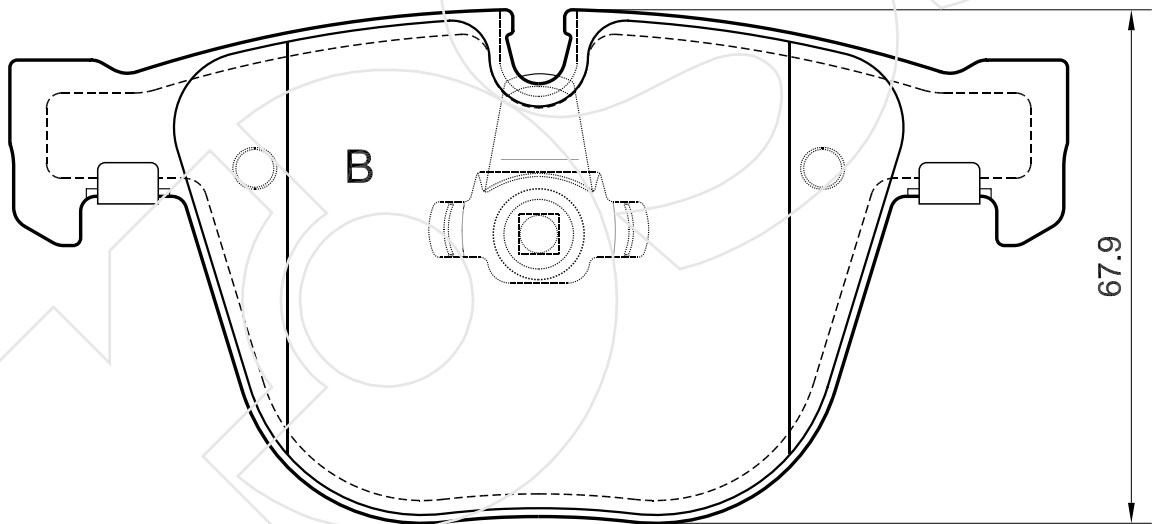
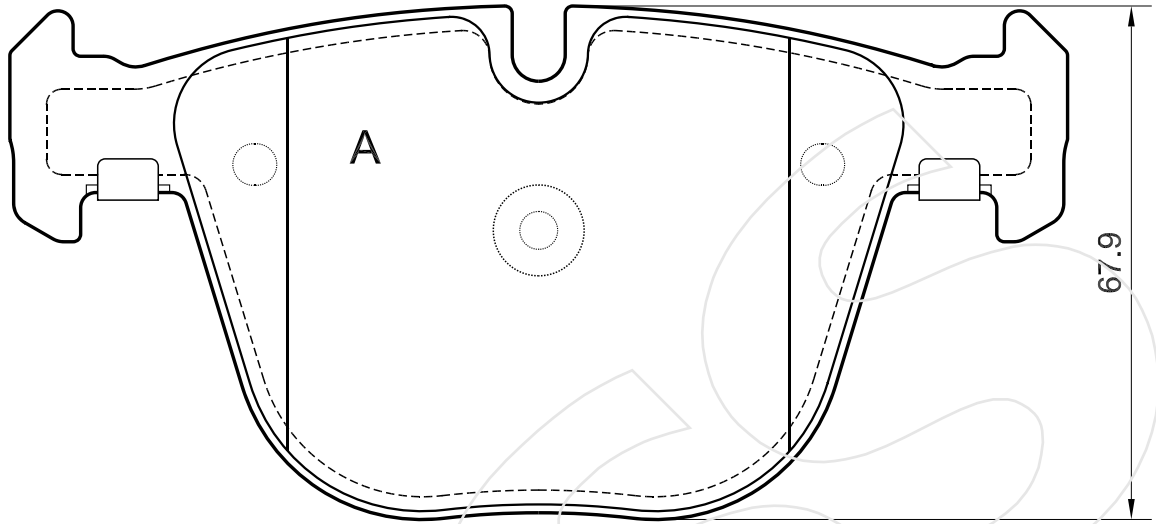
Reference in this Catalogue to other manufactures and to part numbers and other descriptions are for identification purposes only, because the above DISC BRAKE PADS are NOT ORIGINAL but with these interchangeable.

CODICE	IMPIANTO		ASSE	SCALA	APPLICAZIONI
<b>R-1409</b>	ATE		ANTERIORE	70%	BMW
CODICE COMPONENTI	N°	L(mm)	SERIE		
*	*	*	2 PEZZI TIPO A		
M0000	4	*	2 PEZZI TIPO B		
*	*	*	*		
*	*	*	*		
CODICE ACCESSORI	N°	L(mm)	NOTE		
*	*	*			
*	*	*			
*	*	*			
*	*	*			



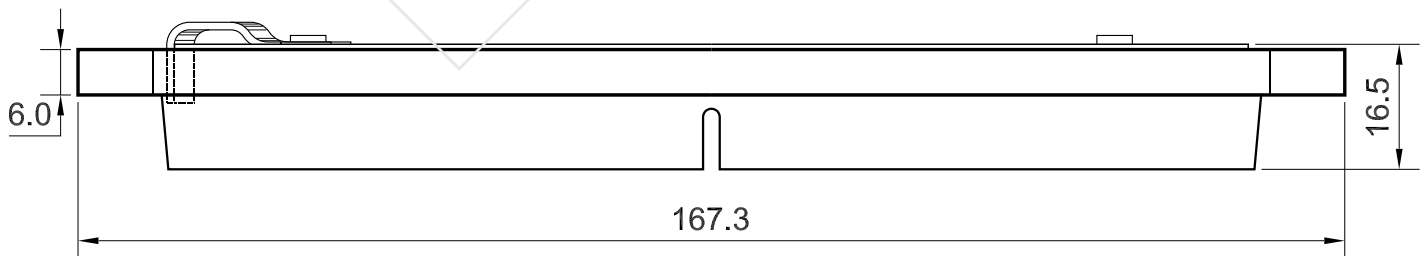
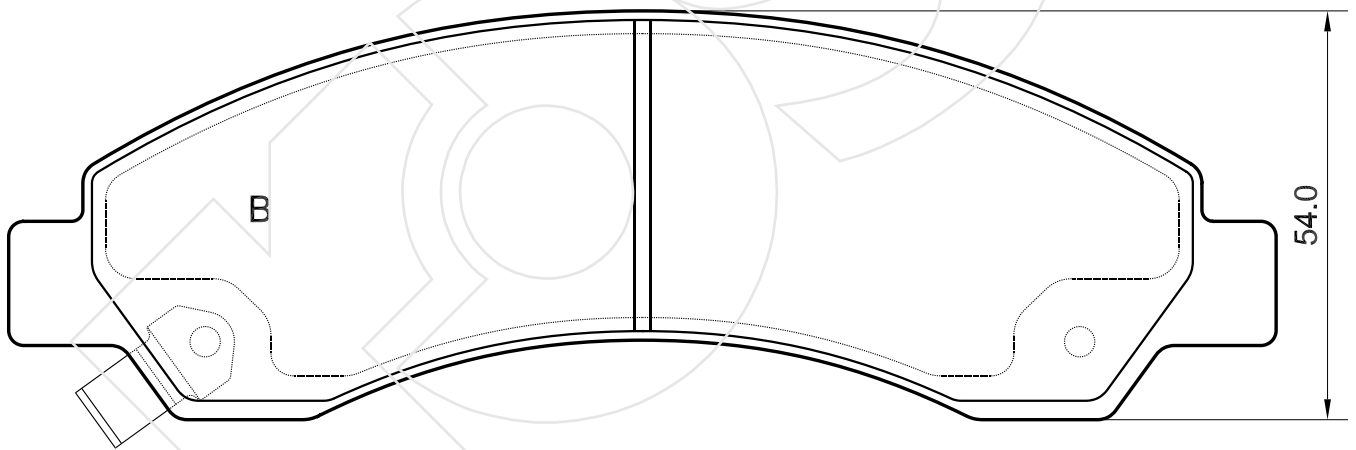
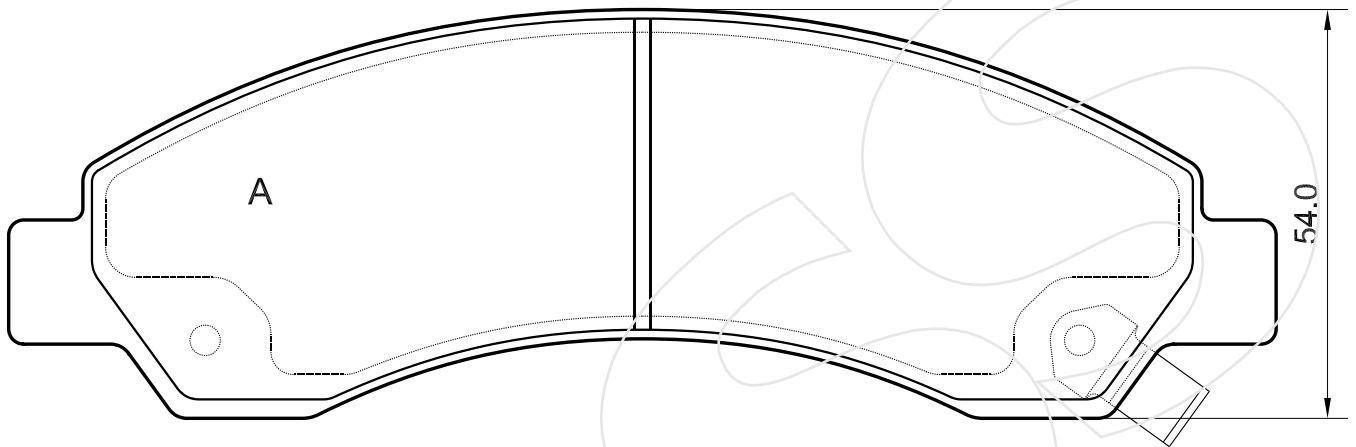
Reference in this Catalogue to other manufactures and to part numbers and other descriptions are for identification purposes only, because the above DISC BRAKE PADS are NOT ORIGINAL but with these interchangeable.

CODICE	IMPIANTO		ASSE	SCALA	APPLICAZIONI
<b>R-1410</b>	ATE		POSTERIORE	1:1	BMW
CODICE COMPONENTI	N°	L(mm)	SERIE		
*	*	*	2 PEZZI TIPO A		
M0145	2	*	2 PEZZI TIPO B		
*	*	*	*		
*	*	*	*		
CODICE ACCESSORI	N°	L(mm)	NOTE		
*	*	*			
*	*	*			
*	*	*			
*	*	*			



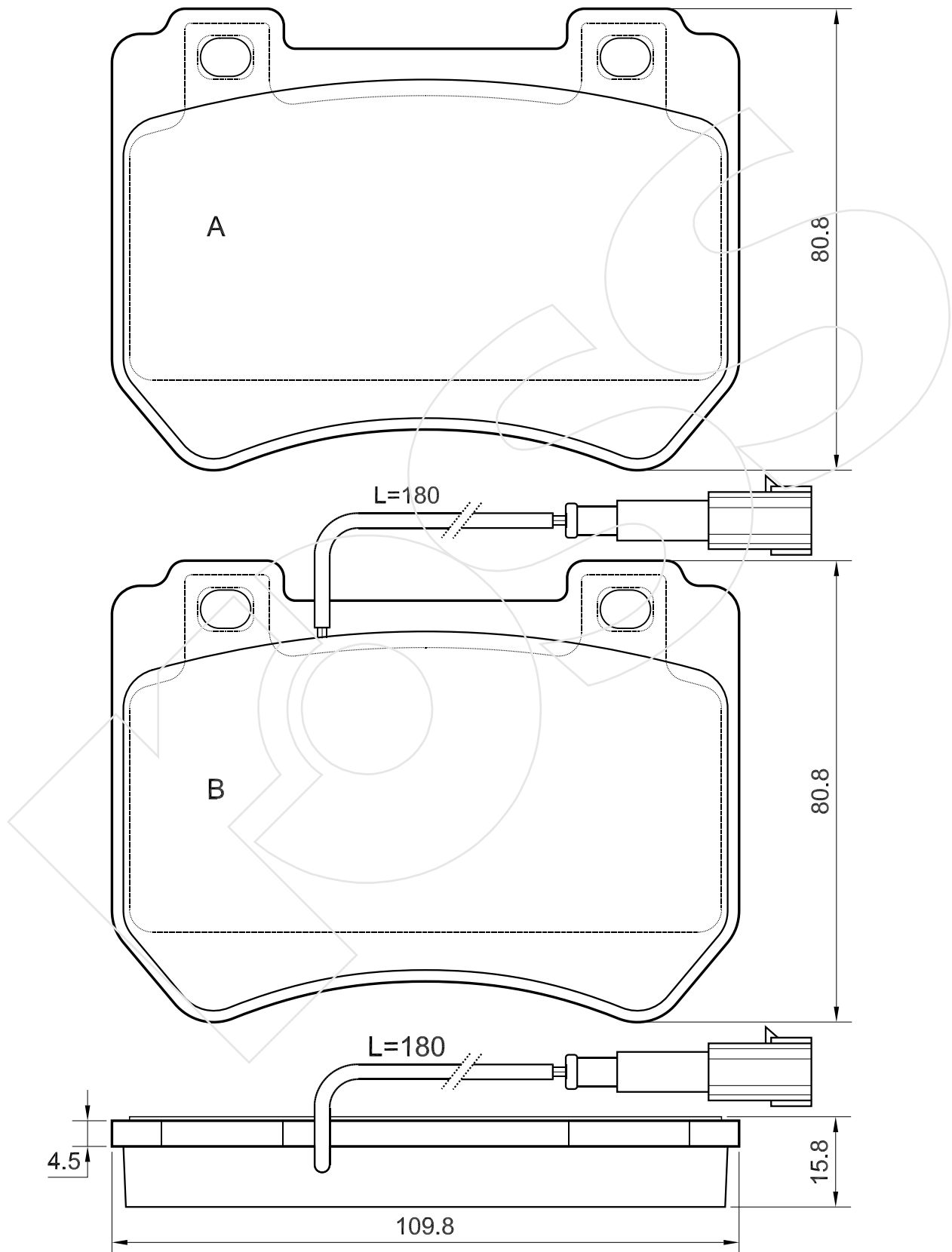
Reference in this Catalogue to other manufactures and to part numbers and other descriptions are for identification purposes only, because the above DISC BRAKE PADS are NOT ORIGINAL but with these interchangeable.

CODICE	IMPIANTO		ASSE	SCALA	APPLICAZIONI
<b>R-1411</b>	SUMITOMO		ANTERIORE	1:1	GREAT WALL
CODICE COMPONENTI	N°	L(mm)	SERIE		
M0000	2	*	2 PEZZI TIPO A		
M0000	2	*	2 PEZZI TIPO B		
*	*	*	*		
*	*	*	*		
CODICE ACCESSORI	N°	L(mm)	NOTE		
*	*	*			
*	*	*			
*	*	*			
*	*	*			



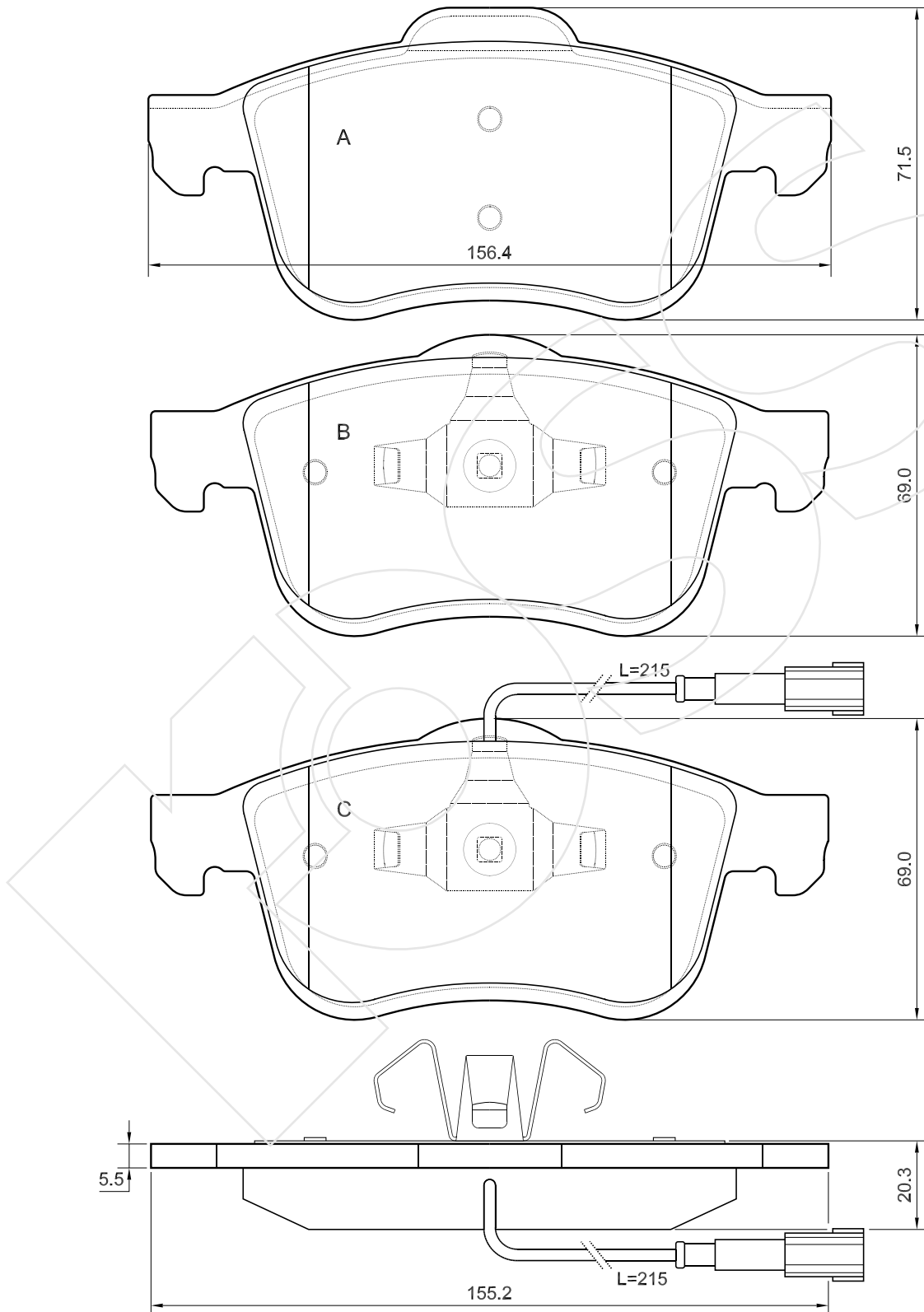
Reference in this Catalogue to other manufactures and to part numbers and other descriptions are for identification purposes only, because the above DISC BRAKE PADS are NOT ORIGINAL but with these interchangeable.

CODICE	IMPIANTO		ASSE	SCALA	APPLICAZIONI
<b>R-1412</b>	BREMBO		ANTERIORE	1:1	ALFA ROMEO
CODICE COMPONENTI	N°	L(mm)	SERIE		
*	*	*	3 PEZZI TIPO A		
FXXXX	1	180	1 PEZZO TIPO B		
*	*	*	*		
*	*	*	*		
CODICE ACCESSORI	N°	L(mm)	NOTE		
*	*	*			
*	*	*			
*	*	*			
*	*	*			



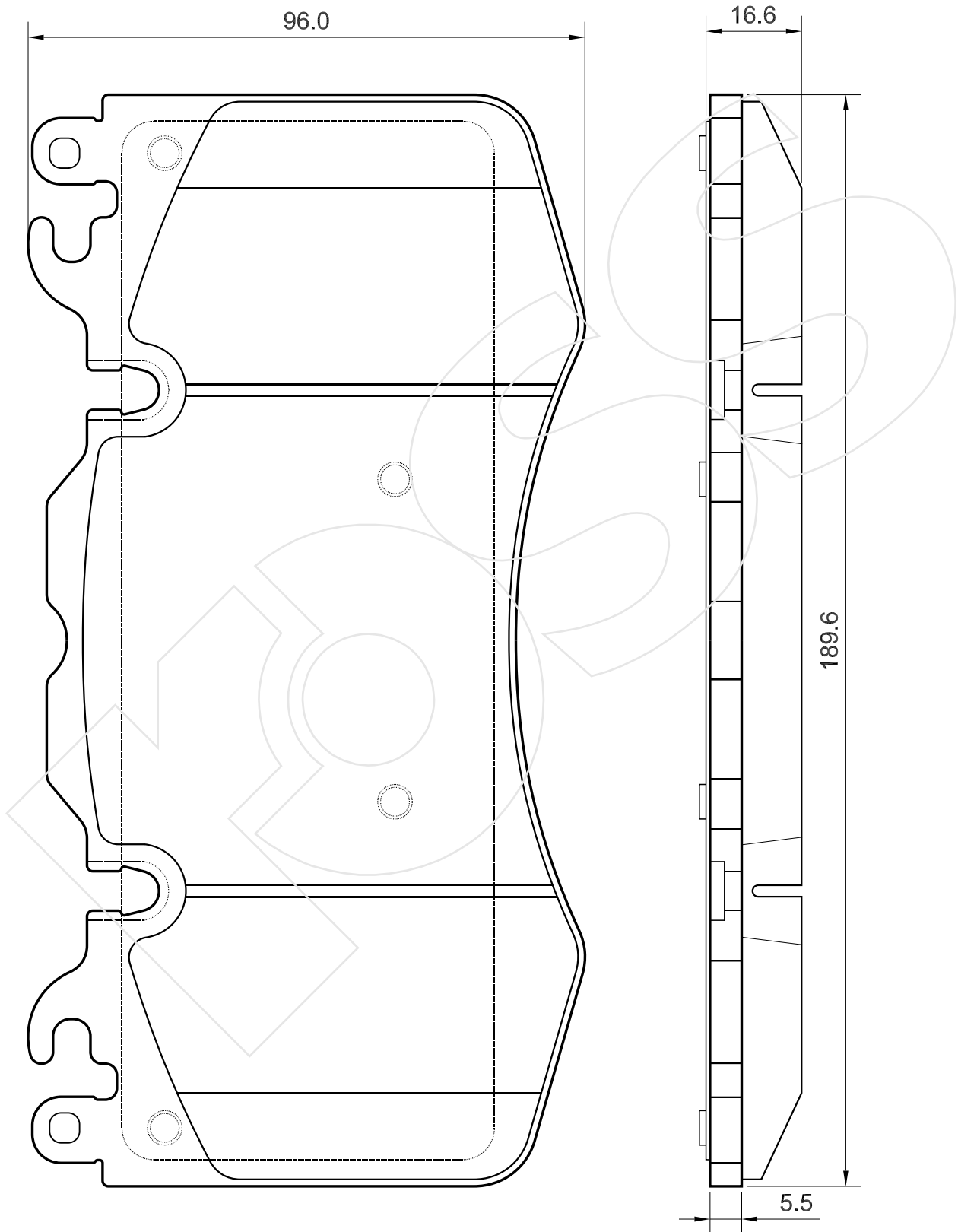
Reference in this Catalogue to other manufactures and to part numbers and other descriptions are for identification purposes only, because the above DISC BRAKE PADS are NOT ORIGINAL but with these interchangeable.

CODICE	IMPIANTO		ASSE	SCALA	APPLICAZIONI
<b>R-1413</b>	ATE		ANTERIORE	70%	FIAT LANCIA
CODICE COMPONENTI	N°	L(mm)	SERIE		
*	*	*	2 PEZZI TIPO A		
M0000	1	*	1 PEZZO TIPO B		
M0000+F0000	1+1	215	1 PEZZO TIPO C		
*	*	*	*		
CODICE ACCESSORI	N°	L(mm)	NOTE		
*	*	*			
*	*	*			
*	*	*			
*	*	*			



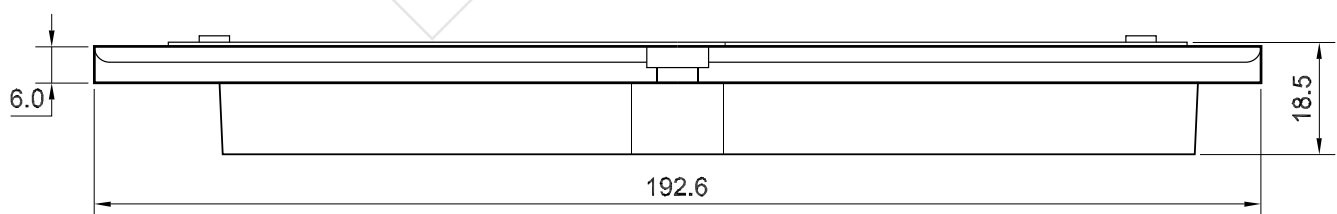
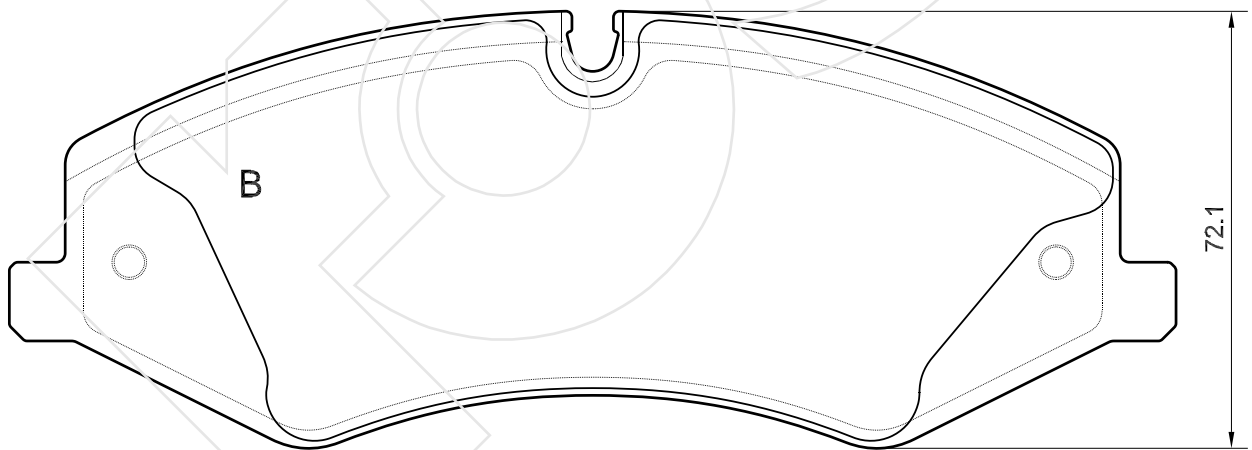
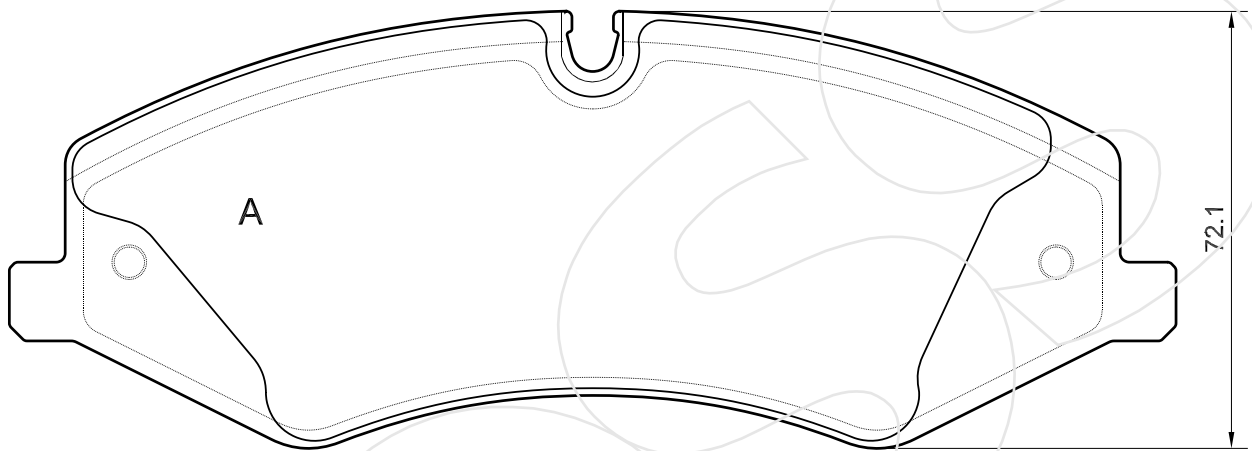
Reference in this Catalogue to other manufactures and to part numbers and other descriptions are for identification purposes only, because the above DISC BRAKE PADS are NOT ORIGINAL but with these interchangeable.

CODICE	IMPIANTO		ASSE	SCALA	APPLICAZIONI
<b>R-1414</b>	BREMBO		ANTERIORE	1:1	LAND ROVER
CODICE COMPONENTI	N°	L(mm)	SERIE		
A0000	4	*	4 PEZZI		
*	*	*	*		
*	*	*	*		
*	*	*	*		
CODICE ACCESSORI	N°	L(mm)	NOTE		
*	*	*			
*	*	*			
*	*	*			
*	*	*			



Reference in this Catalogue to other manufactures and to part numbers and other descriptions are for identification purposes only, because the above DISC BRAKE PADS are NOT ORIGINAL but with these interchangeable.

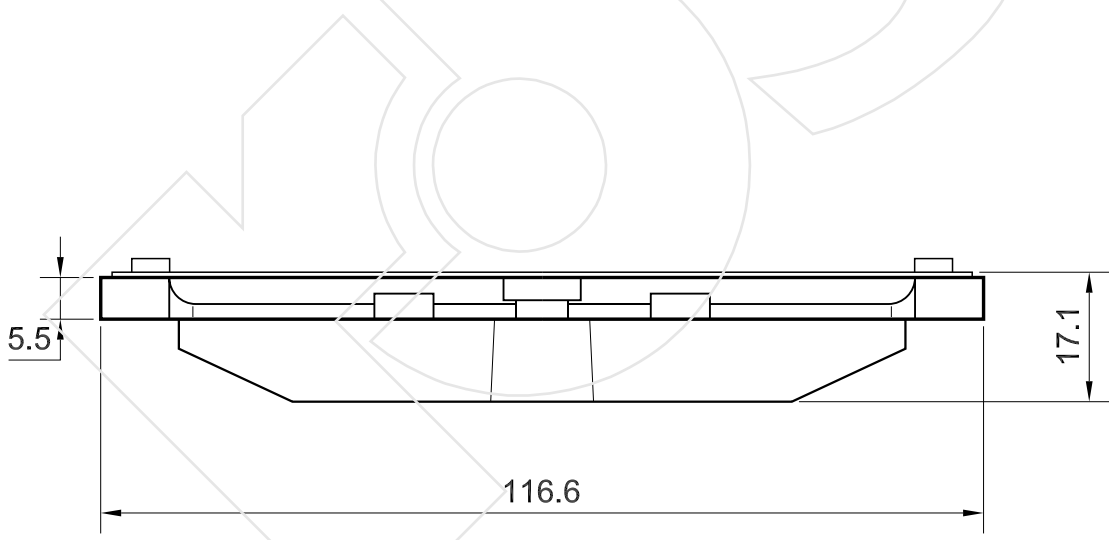
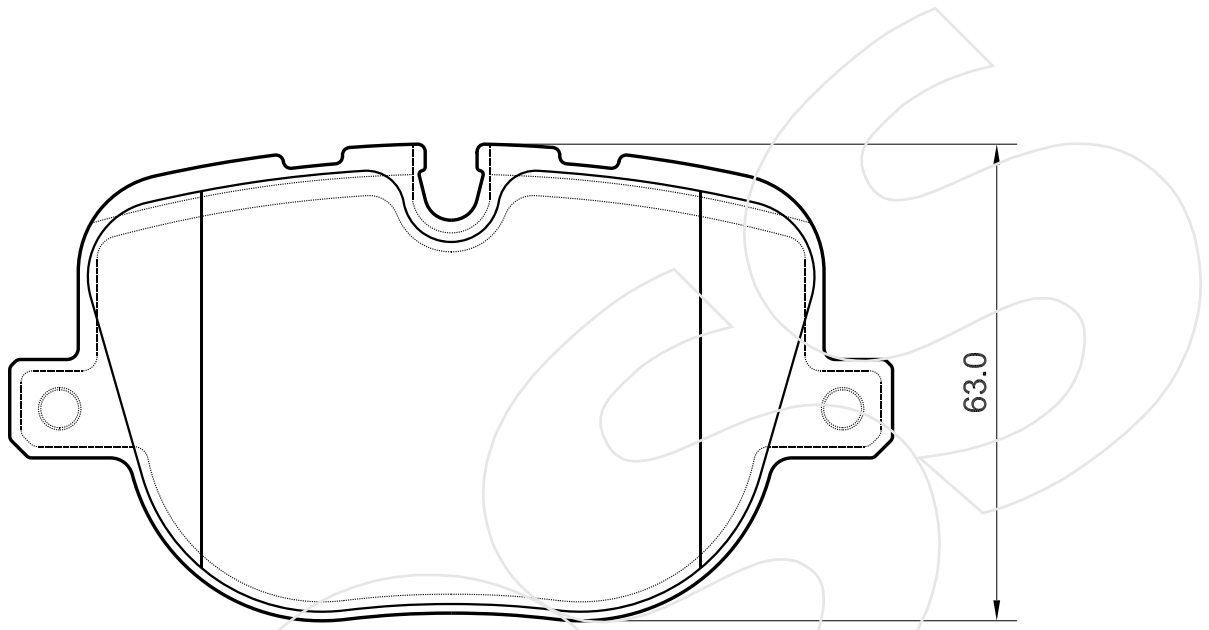
CODICE	IMPIANTO		ASSE	SCALA	APPLICAZIONI
<b>R-1415</b>	TRW		ANTERIORE	80%	LAND ROVER
CODICE COMPONENTI	N°	L(mm)	SERIE		
*	*	*	2 PEZZI TIPO A		
*	*	*	2 PEZZI TIPO B		
*	*	*	*		
*	*	*	*		
CODICE ACCESSORI	N°	L(mm)	NOTE		
*	*	*			
*	*	*			
*	*	*			
*	*	*			



Reference in this Catalogue to other manufactures and to part numbers and other descriptions are for identification purposes only, because the above DISC BRAKE PADS are NOT ORIGINAL but with these interchangeable.

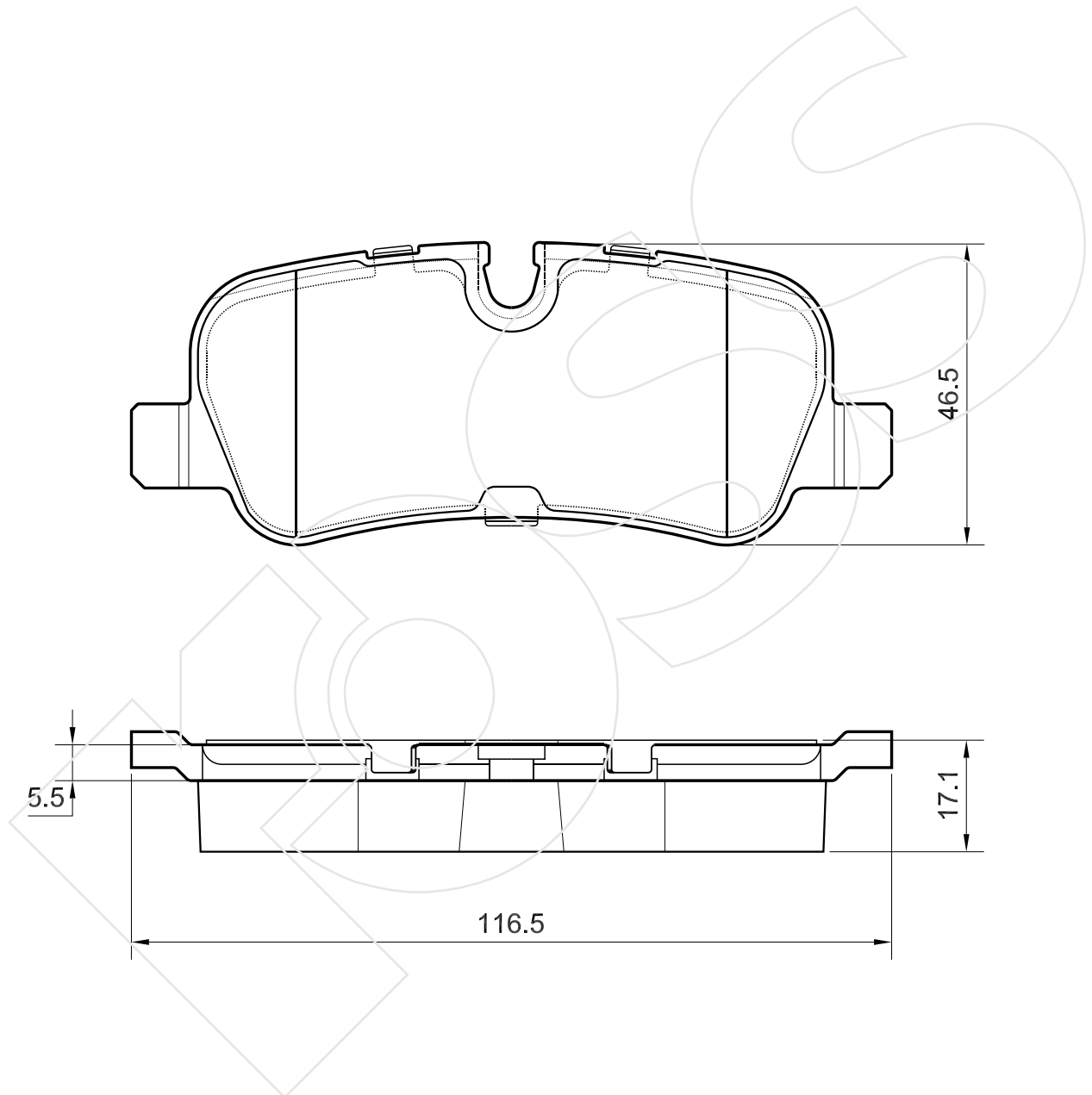


CODICE	IMPIANTO		ASSE	SCALA	APPLICAZIONI
<b>R-1416</b>	TRW		POSTERIORE	1:1	LAND ROVER
CODICE COMPONENTI	N°	L(mm)	SERIE		
*	*	*	4 PEZZI		
*	*	*	*		
*	*	*	*		
*	*	*	*		
CODICE ACCESSORI	N°	L(mm)	NOTE		
*	*	*			
*	*	*			
*	*	*			
*	*	*			



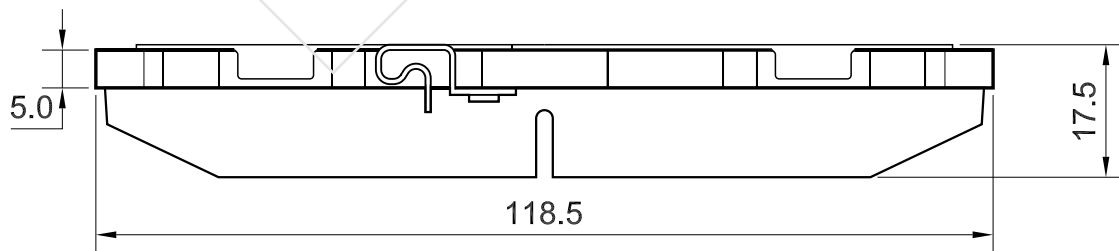
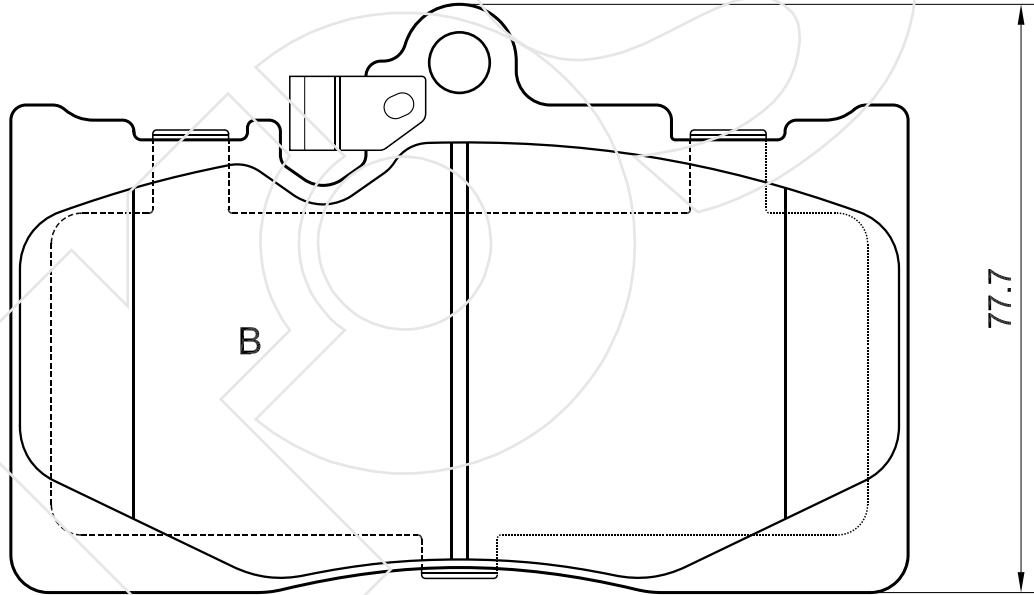
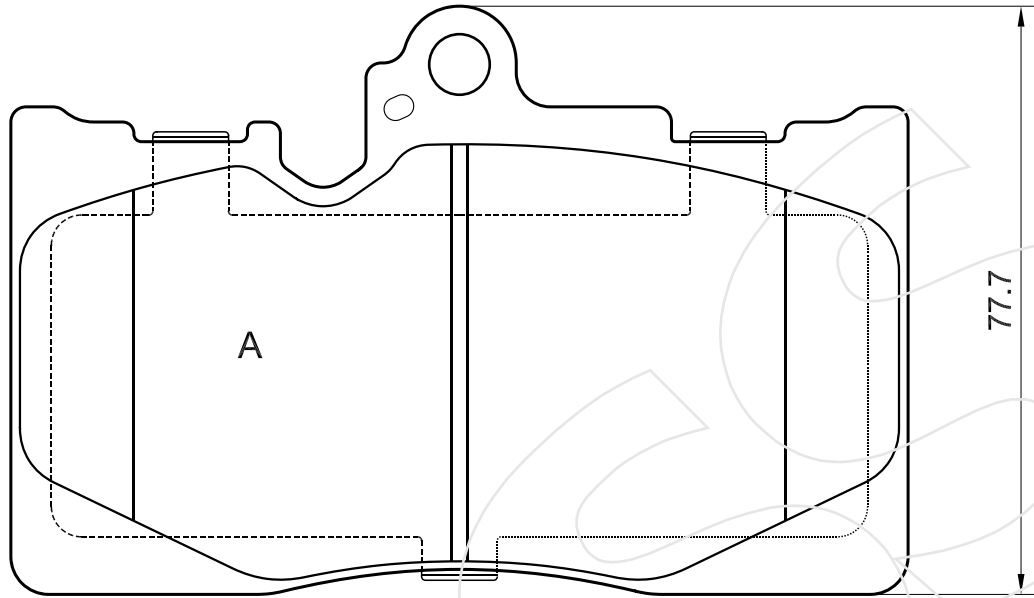
Reference in this Catalogue to other manufactures and to part numbers and other descriptions are for identification purposes only, because the above DISC BRAKE PADS are NOT ORIGINAL but with these interchangeable.

CODICE	IMPIANTO		ASSE	SCALA	APPLICAZIONI
<b>R-1417</b>	TRW		POSTERIORE	1:1	LAND ROVER
CODICE COMPONENTI	N°	L(mm)	SERIE		
A0205	4	*	4 PEZZI		
*	*	*	*		
*	*	*	*		
*	*	*	*		
CODICE ACCESSORI	N°	L(mm)	NOTE		
*	*	*			
*	*	*			
*	*	*			
*	*	*			



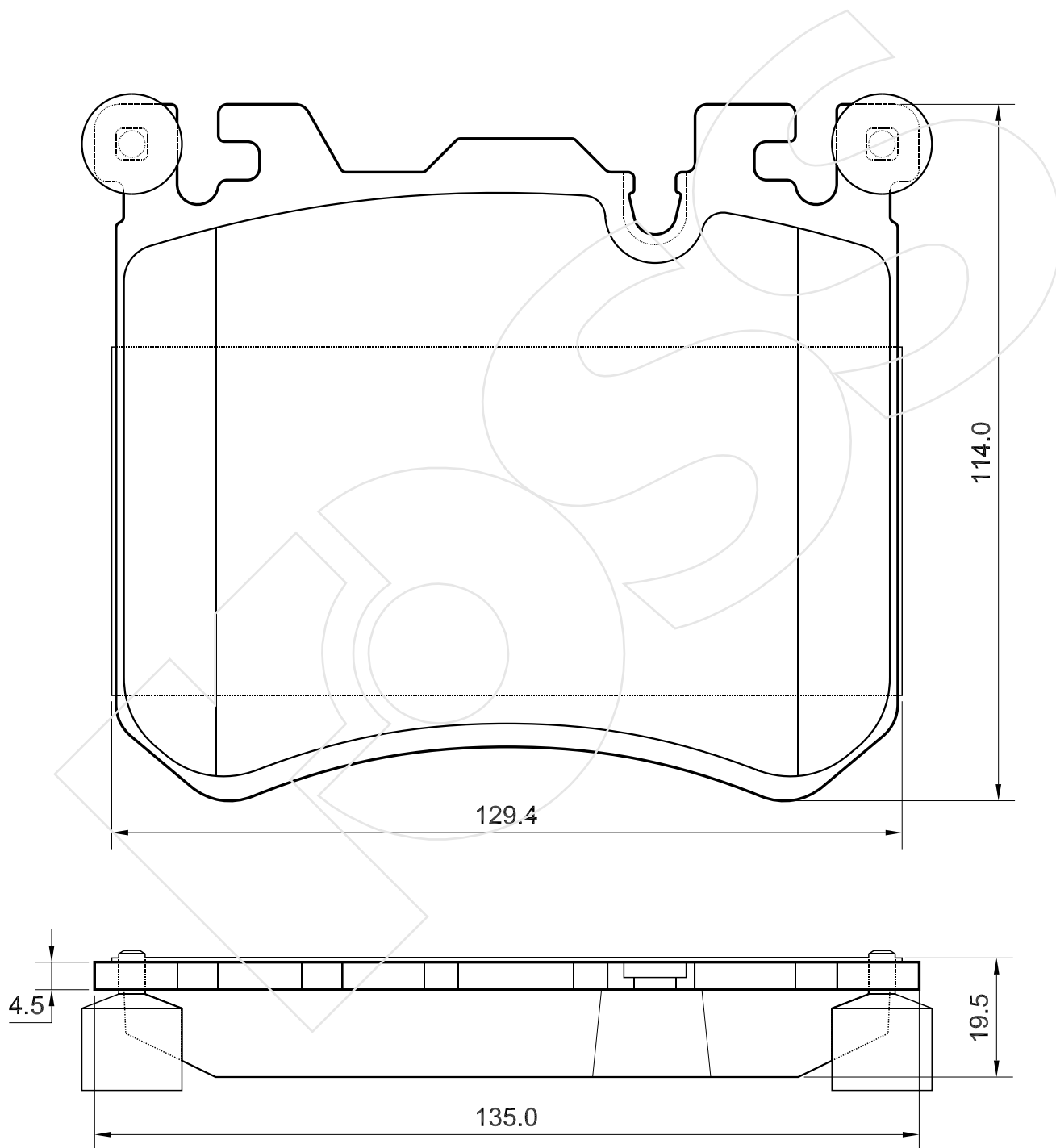
Reference in this Catalogue to other manufactures and to part numbers and other descriptions are for identification purposes only, because the above DISC BRAKE PADS are NOT ORIGINAL but with these interchangeable.

CODICE	IMPIANTO	ASSE	SCALA	APPLICAZIONI
<b>R-1418</b>	SUMITOMO	ANTERIORE	1:1	LEXUS
CODICE COMPONENTI	N°	L(mm)	SERIE	
A0000	2	*	2 PEZZI TIPO A	
M0000+A0000	2+2	*	2 PEZZI TIPO B	
*	*	*	*	
*	*	*	*	
CODICE ACCESSORI	N°	L(mm)	NOTE	
*	*	*		
*	*	*		
*	*	*		
*	*	*		



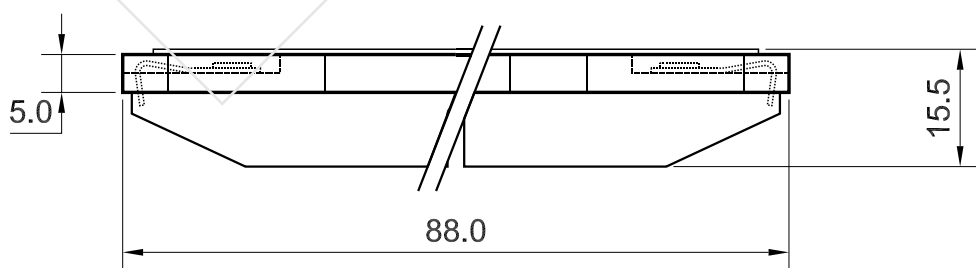
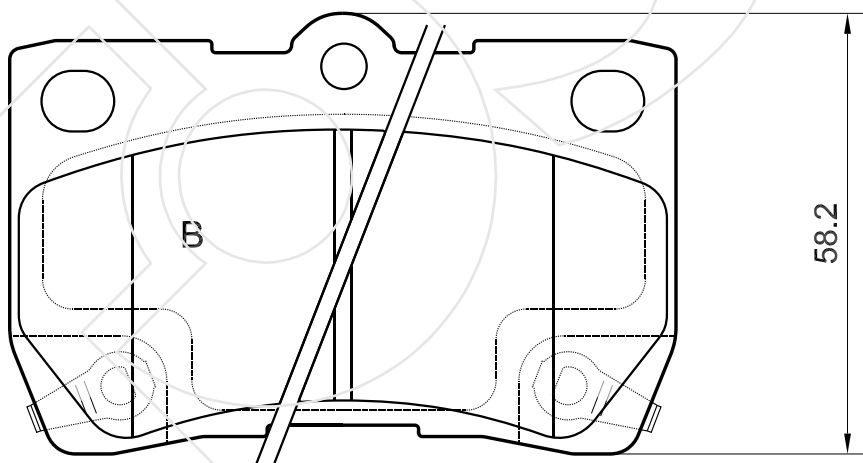
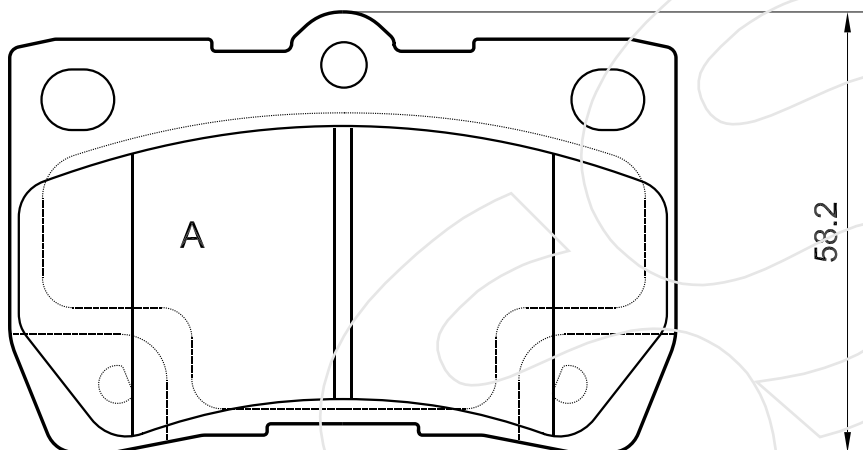
Reference in this Catalogue to other manufactures and to part numbers and other descriptions are for identification purposes only, because the above DISC BRAKE PADS are NOT ORIGINAL but with these interchangeable.

CODICE	IMPIANTO		ASSE	SCALA	APPLICAZIONI
<b>R-1419</b>	BREMBO		ANTERIORE	1:1	BMW
CODICE COMPONENTI	N°	L(mm)	SERIE		
M0000+A0000	8+4	*	4 PEZZI		
*	*	*	*		
*	*	*	*		
*	*	*	*		
CODICE ACCESSORI	N°	L(mm)	NOTE		
*	*	*			
*	*	*			
*	*	*			
*	*	*			



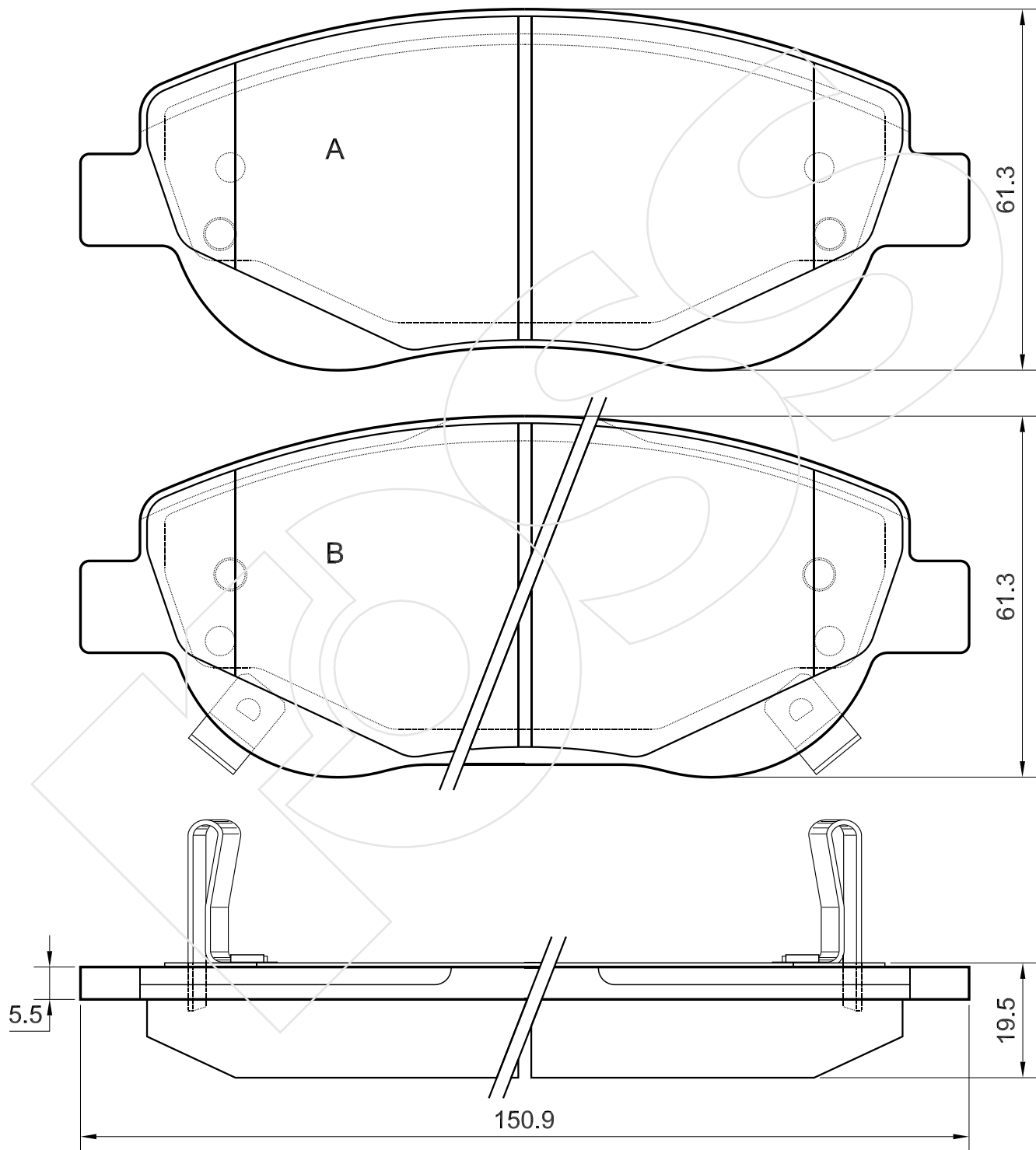
Reference in this Catalogue to other manufactures and to part numbers and other descriptions are for identification purposes only, because the above DISC BRAKE PADS are NOT ORIGINAL but with these interchangeable.

CODICE	IMPIANTO		ASSE	SCALA	APPLICAZIONI
<b>R-1420</b>	NBK		POSTERIORE	1:1	LEXUS
CODICE COMPONENTI	N°	L(mm)	SERIE		
A0000	*	*	2 PEZZI TIPO A		
M0000+A0000	2	*	2 PEZZI TIPO B		
*	*	*	*		
*	*	*	*		
CODICE ACCESSORI	N°	L(mm)	NOTE		
*	*	*			
*	*	*			
*	*	*			
*	*	*			



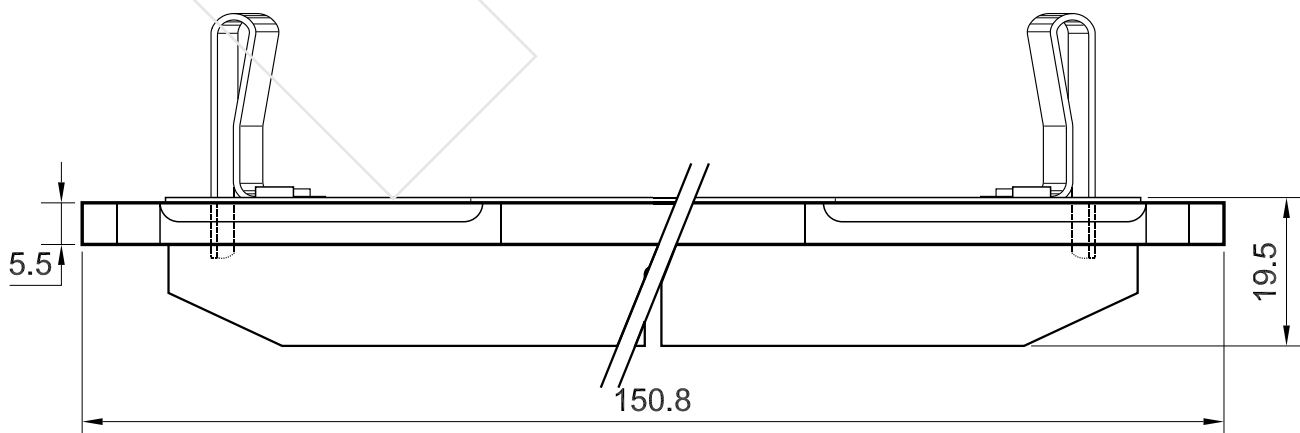
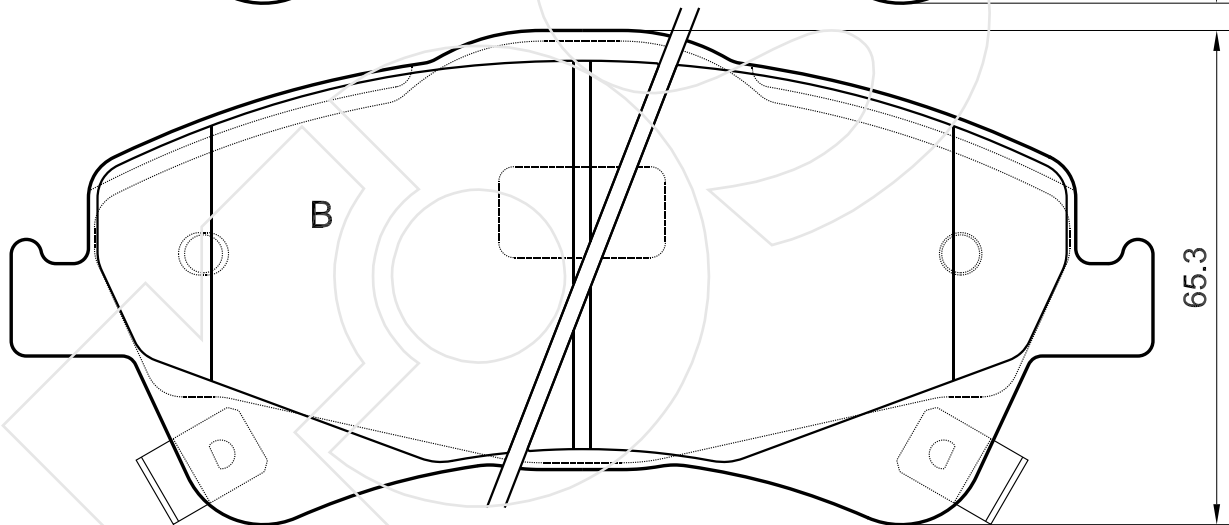
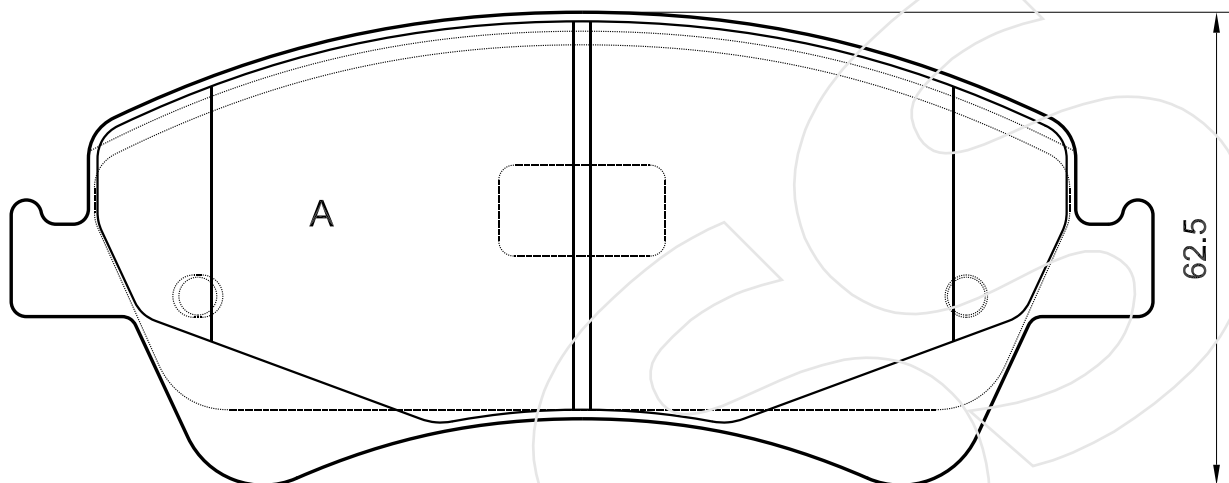
Reference in this Catalogue to other manufactures and to part numbers and other descriptions are for identification purposes only, because the above DISC BRAKE PADS are NOT ORIGINAL but with these interchangeable.

CODICE	IMPIANTO		ASSE	SCALA	APPLICAZIONI
<b>R-1421</b>	BOSCH		ANTERIORE	1:1	TOYOTA
CODICE COMPONENTI	N°	L(mm)	SERIE		
A0000	2	*	2 PEZZI TIPO A		
M0000+A0000	2+2	*	2 PEZZI TIPO B		
*	*	*	*		
*	*	*	*		
CODICE ACCESSORI	N°	L(mm)	NOTE		
*	*	*			
*	*	*			
*	*	*			
*	*	*			



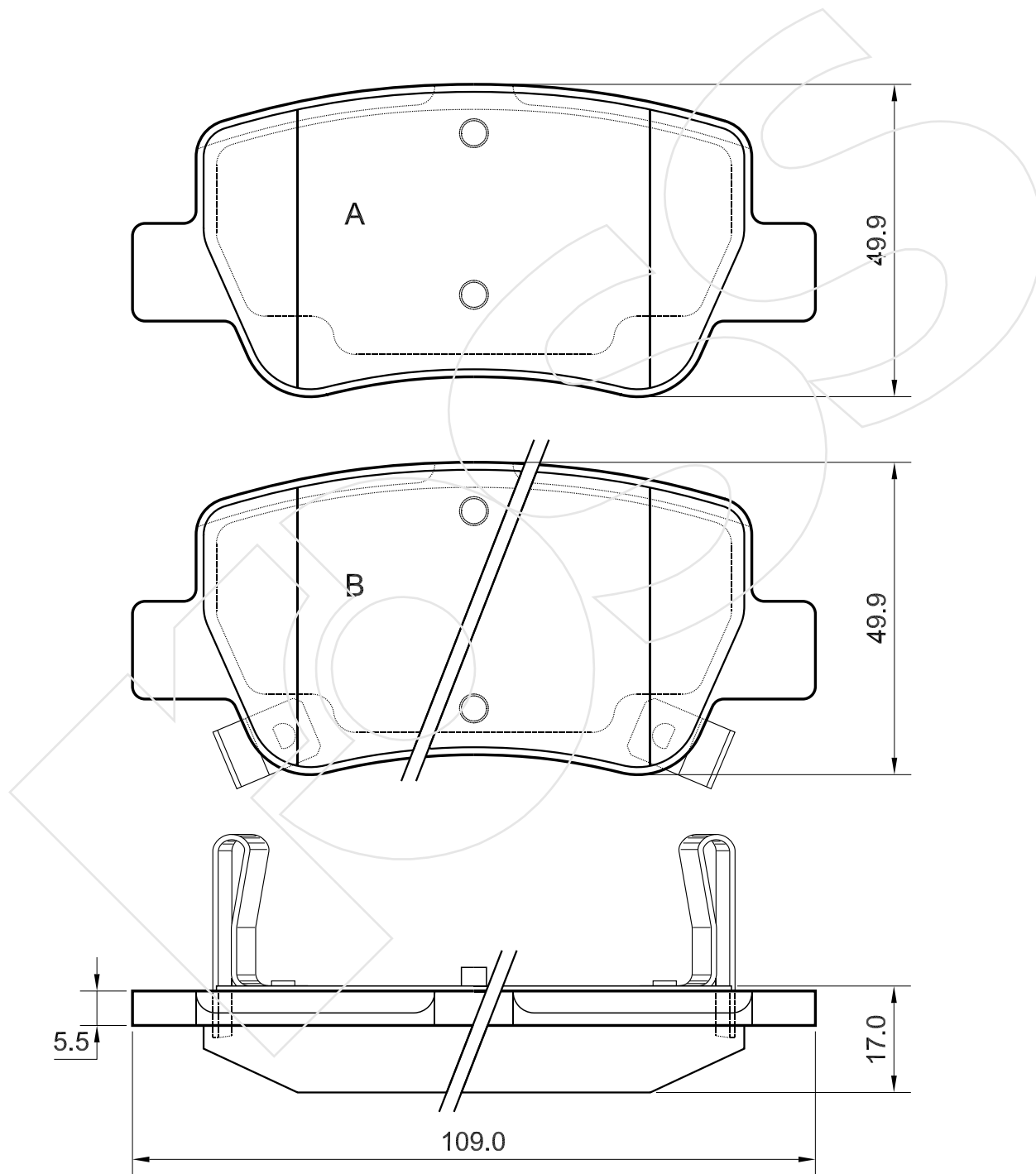
Reference in this Catalogue to other manufactures and to part numbers and other descriptions are for identification purposes only, because the above DISC BRAKE PADS are NOT ORIGINAL but with these interchangeable.

CODICE	IMPIANTO	ASSE	SCALA	APPLICAZIONI
<b>R-1422</b>	BOSCH	ANTERIORE	1:1	TOYOTA
CODICE COMPONENTI	N°	L(mm)	SERIE	
A034	2	*	2 PEZZI TIPO A	
A035+M0156	2+2	*	2 PEZZI TIPO B	
*	*	*	*	
*	*	*	*	
CODICE ACCESSORI	N°	L(mm)	NOTE	
*	*	*		
*	*	*		
*	*	*		
*	*	*		



Reference in this Catalogue to other manufactures and to part numbers and other descriptions are for identification purposes only, because the above DISC BRAKE PADS are NOT ORIGINAL but with these interchangeable.

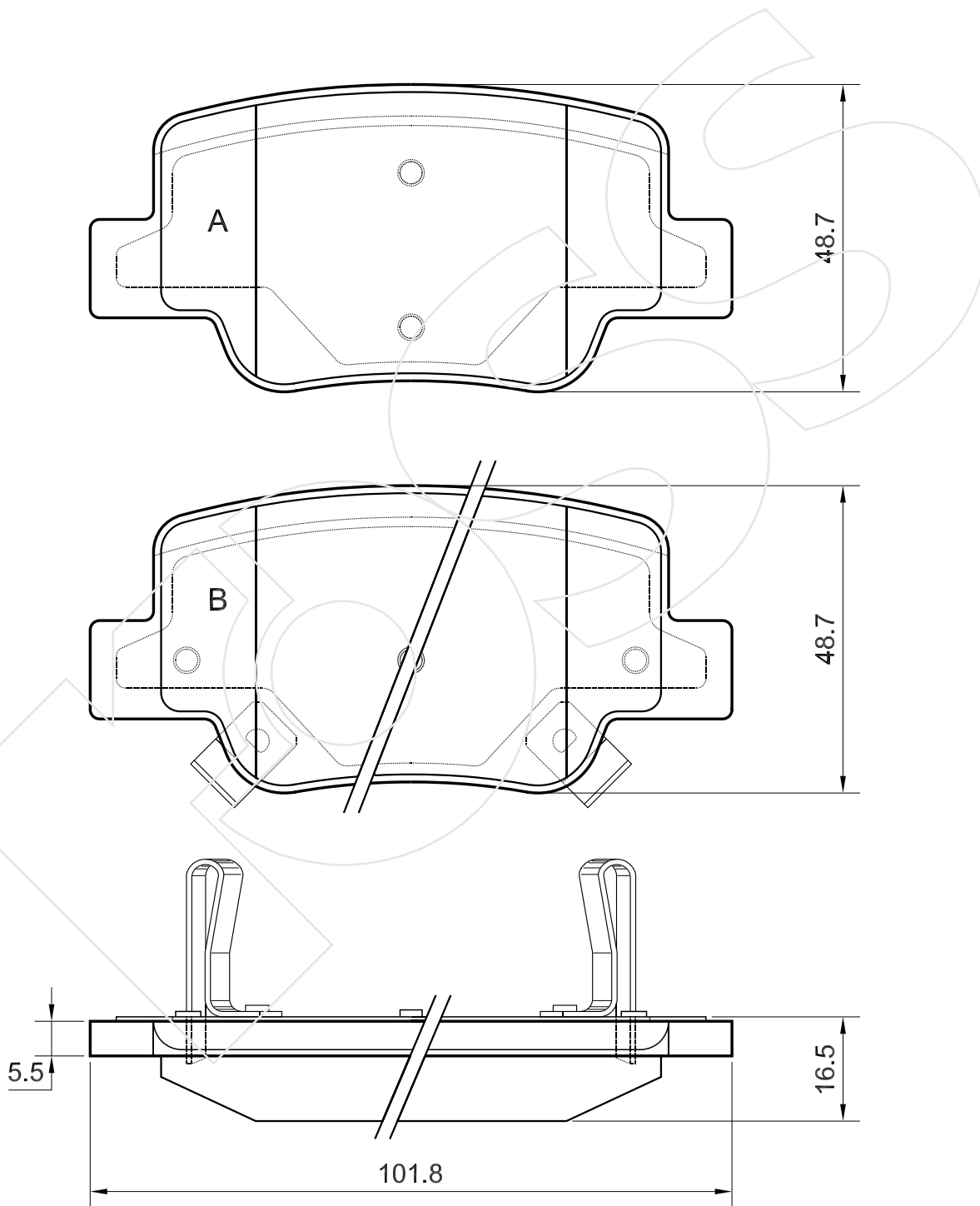
CODICE	IMPIANTO		ASSE	SCALA	APPLICAZIONI
<b>R-1423</b>	BOSCH		POSTERIORE	1:1	TOYOTA
CODICE COMPONENTI	N°	L(mm)	SERIE		
A0000	2	*	2 PEZZI TIPO A		
A0000+M0000	2+2	*	2 PEZZI TIPO B		
*	*	*	*		
*	*	*	*		
CODICE ACCESSORI	N°	L(mm)	NOTE		
*	*	*			
*	*	*			
*	*	*			
*	*	*			



Reference in this Catalogue to other manufactures and to part numbers and other descriptions are for identification purposes only, because the above DISC BRAKE PADS are NOT ORIGINAL but with these interchangeable.

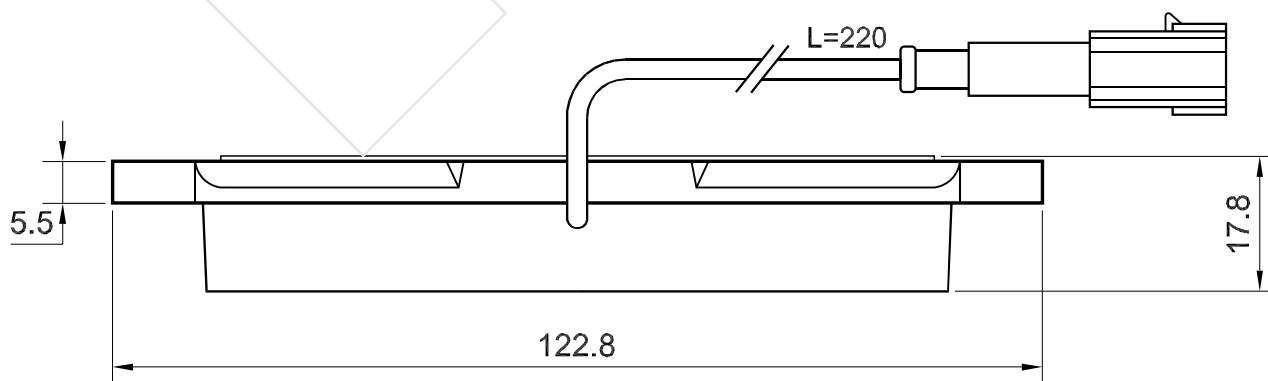
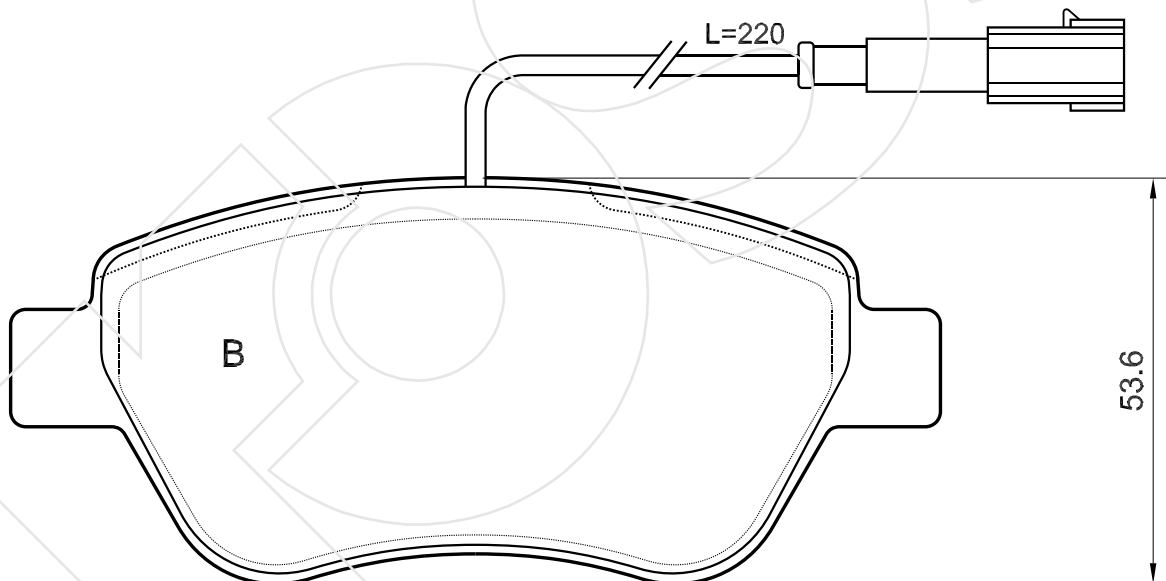
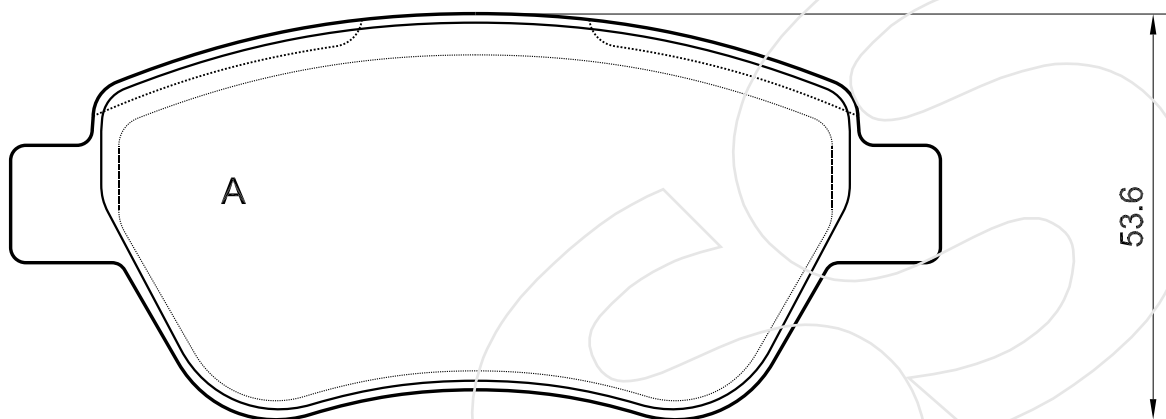


CODICE	IMPIANTO		ASSE	SCALA	APPLICAZIONI
<b>R-1424</b>	BOSCH		POSTERIORE	1:1	TOYOTA
CODICE COMPONENTI	N°	L(mm)	SERIE		
A0000	2	*	2 PEZZI TIPO A		
A0000+M0000	2	*	2 PEZZI TIPO B		
*	*	*	*		
*	*	*	*		
CODICE ACCESSORI	N°	L(mm)	NOTE		
*	*	*			
*	*	*			
*	*	*			
*	*	*			



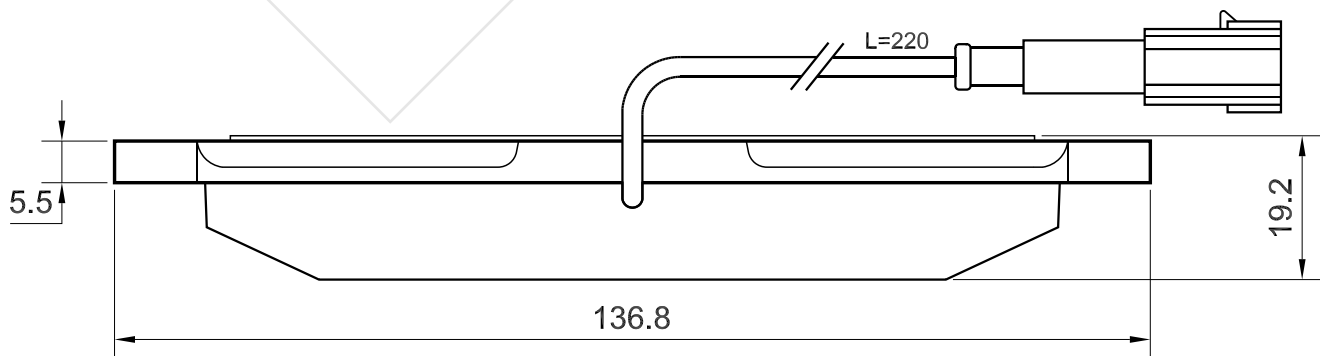
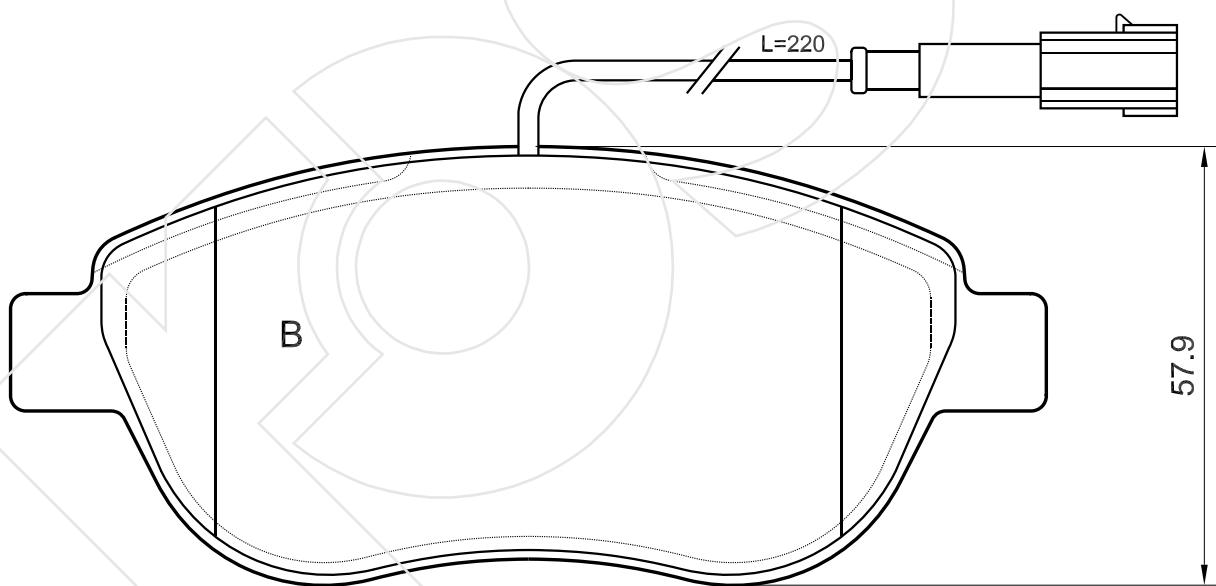
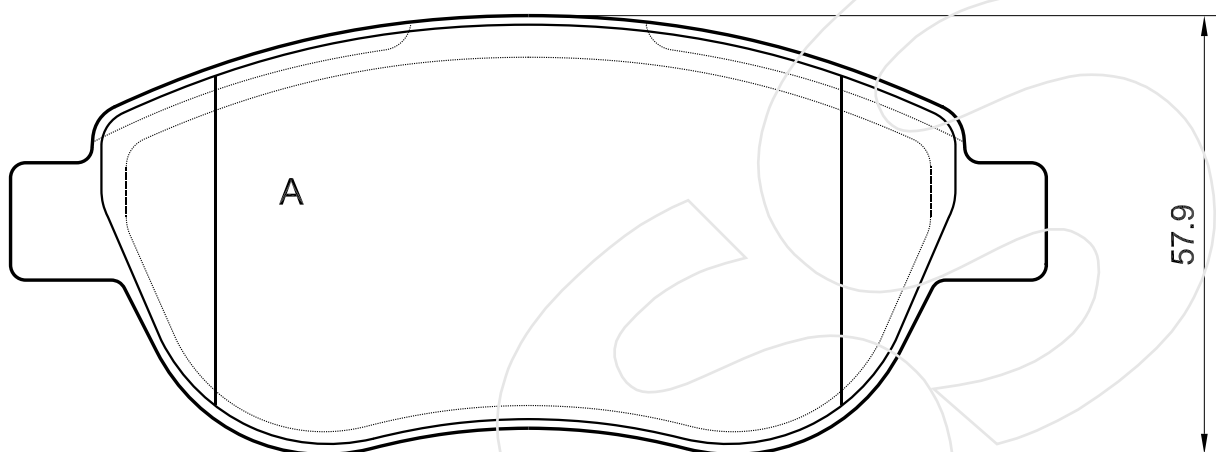
Reference in this Catalogue to other manufactures and to part numbers and other descriptions are for identification purposes only, because the above DISC BRAKE PADS are NOT ORIGINAL but with these interchangeable.

CODICE	IMPIANTO	ASSE	SCALA	APPLICAZIONI
<b>R-1425</b>	BOSCH	ANTERIORE	1:1	FIAT
CODICE COMPONENTI	N°	L(mm)	SERIE	
A0000	2	*	2 PEZZI TIPO A	
A0000+F3019	2+2	220	2 PEZZI TIPO B	
*	*	*	*	
*	*	*	*	
CODICE ACCESSORI	N°	L(mm)	NOTE	
*	*	*		
*	*	*		
*	*	*		
*	*	*		



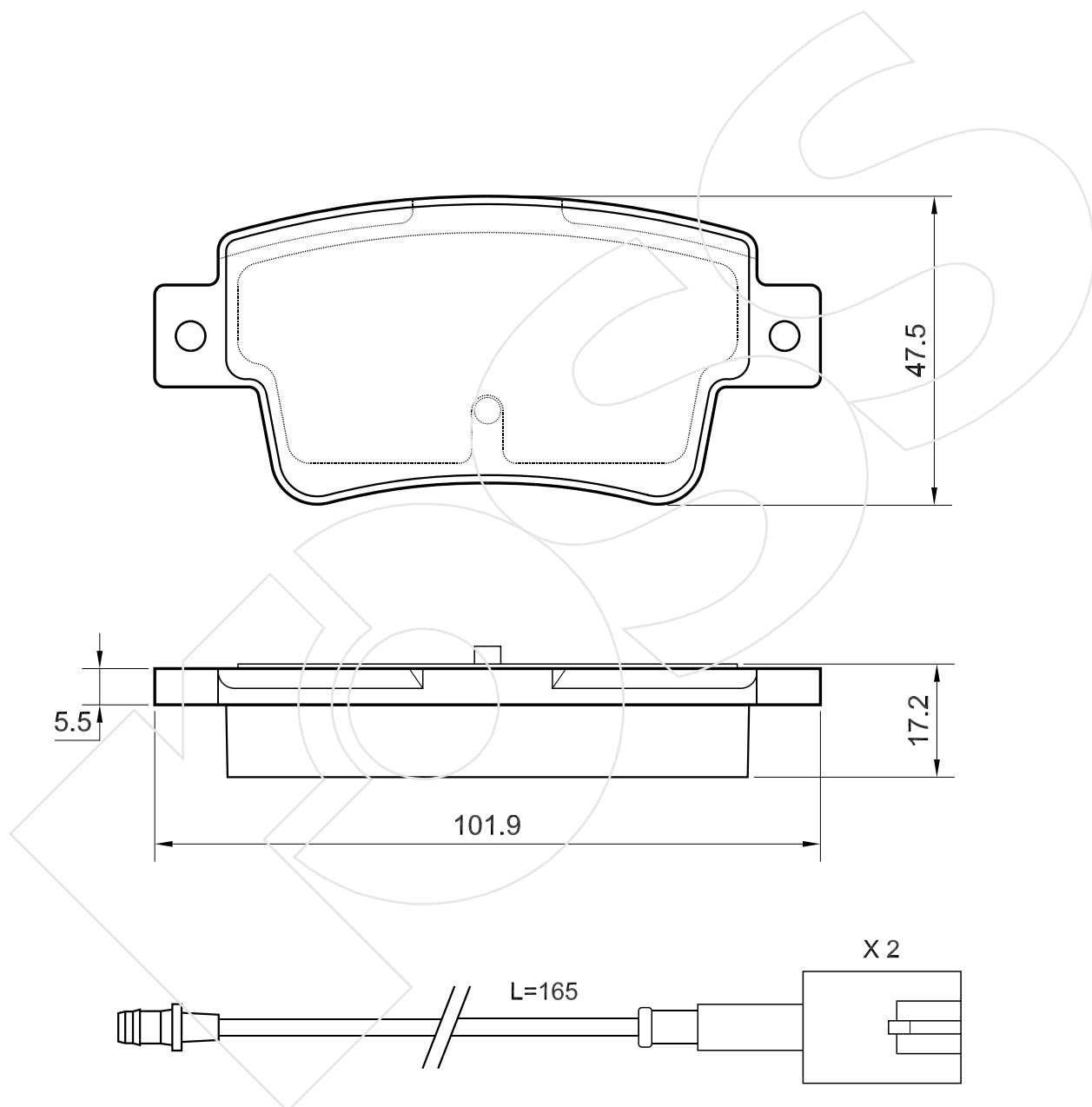
Reference in this Catalogue to other manufactures and to part numbers and other descriptions are for identification purposes only, because the above DISC BRAKE PADS are NOT ORIGINAL but with these interchangeable.

CODICE	IMPIANTO		ASSE	SCALA	APPLICAZIONI
<b>R-1426</b>	BOSCH		ANTERIORE	1:1	FIAT
CODICE COMPONENTI	N°	L(mm)	SERIE		
A0000	2	*	2 PEZZI TIPO A		
A0000+F3019	2+2	220	2 PEZZI TIPO B		
*	*	*	*		
*	*	*	*		
CODICE ACCESSORI	N°	L(mm)	NOTE		
*	*	*			
*	*	*			
*	*	*			
*	*	*			



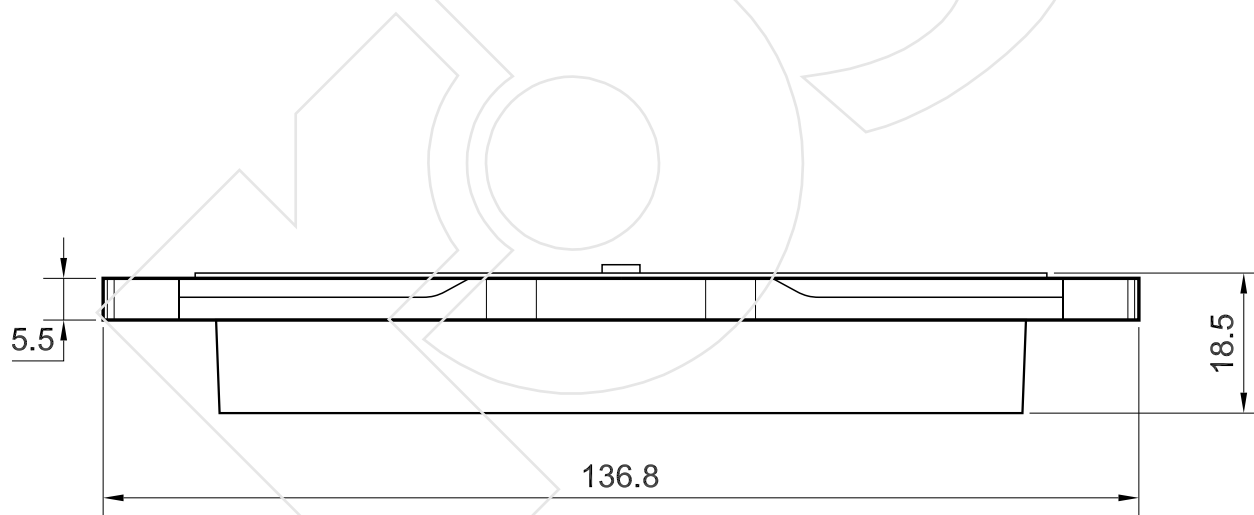
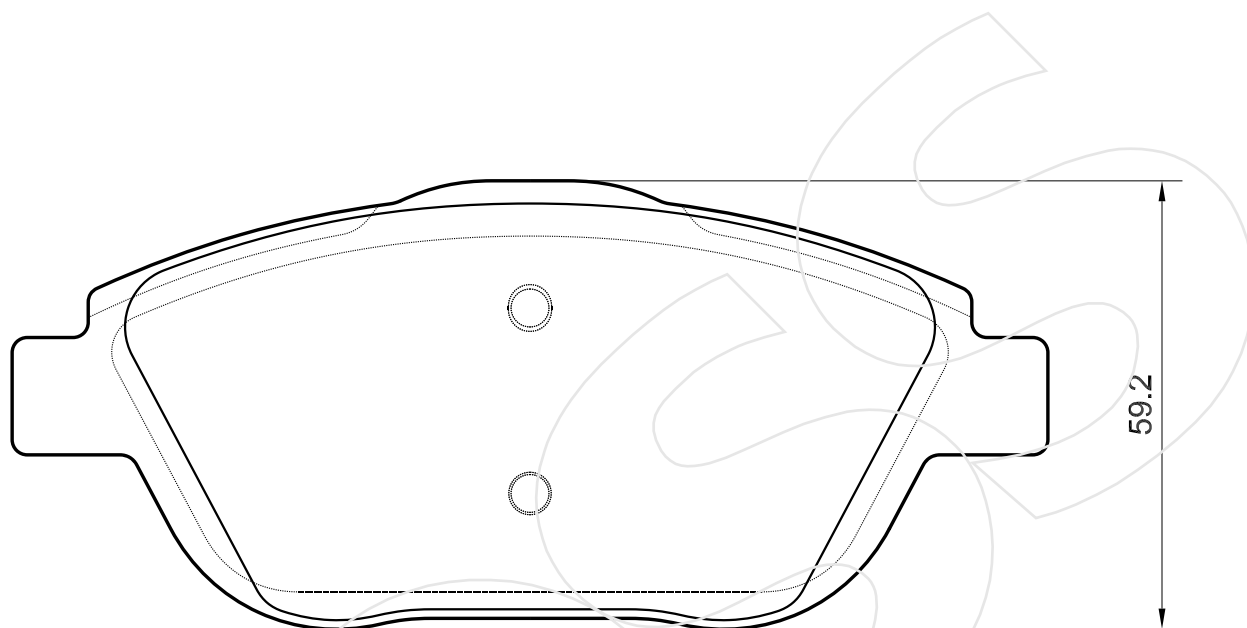
Reference in this Catalogue to other manufactures and to part numbers and other descriptions are for identification purposes only, because the above DISC BRAKE PADS are NOT ORIGINAL but with these interchangeable.

CODICE	IMPIANTO		ASSE	SCALA	APPLICAZIONI
<b>R-1427</b>	BOSCH		POSTERIORE	1:1	FIAT
CODICE COMPONENTI	N°	L(mm)	SERIE		
A0000+F0000	4+2	165	4 PEZZI		
*	*	*	*		
*	*	*	*		
*	*	*	*		
CODICE ACCESSORI	N°	L(mm)	NOTE		
*	*	*			
*	*	*			
*	*	*			
*	*	*			



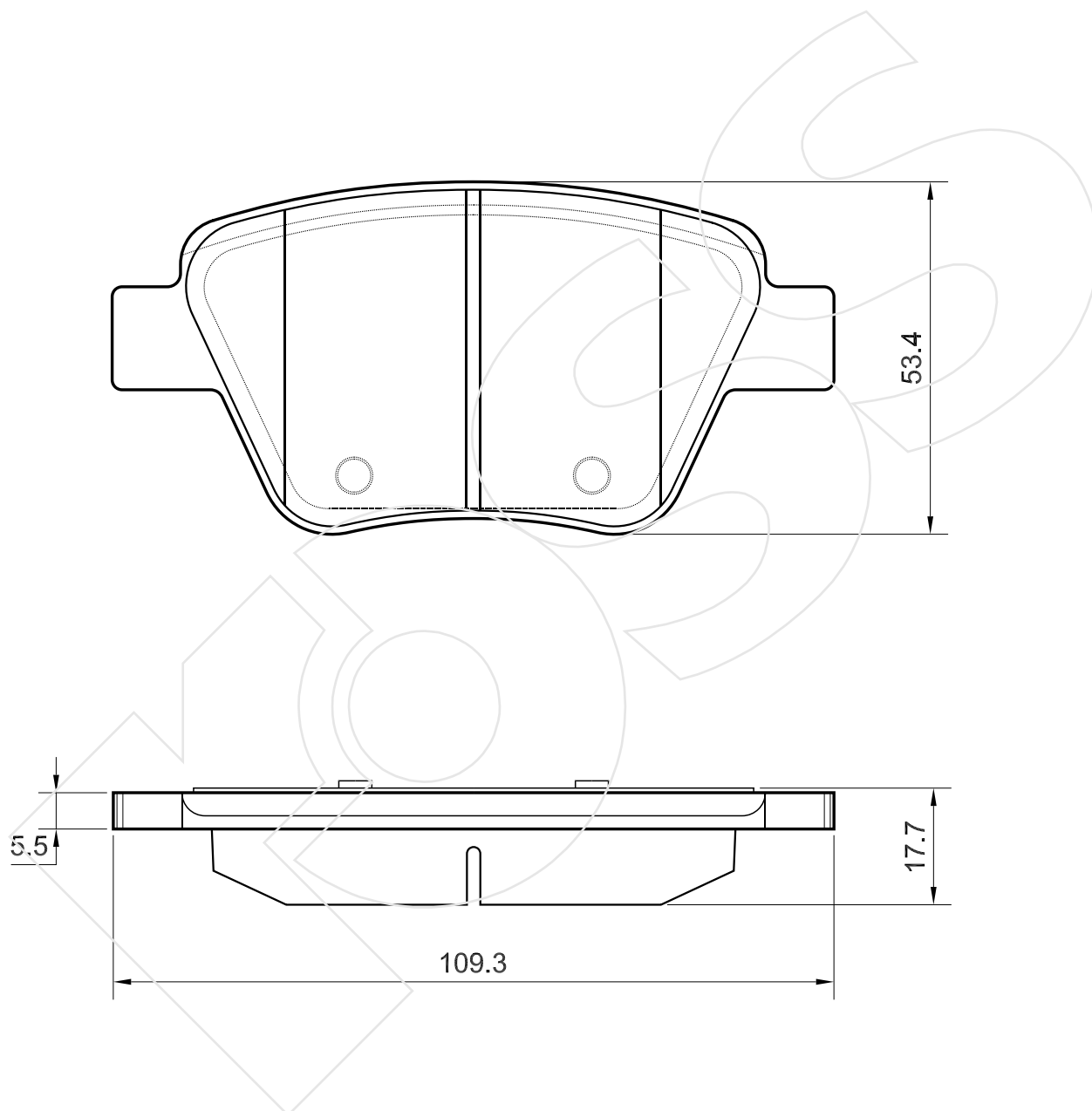
Reference in this Catalogue to other manufactures and to part numbers and other descriptions are for identification purposes only, because the above DISC BRAKE PADS are NOT ORIGINAL but with these interchangeable.

CODICE	IMPIANTO		ASSE	SCALA	APPLICAZIONI
<b>R-1428</b>	BOSCH		ANTERIORE	1:1	CITROEN
CODICE COMPONENTI	N°	L(mm)	SERIE		
*	*	*	4 PEZZI		
*	*	*	*		
*	*	*	*		
*	*	*	*		
CODICE ACCESSORI	N°	L(mm)	NOTE		
*	*	*			
*	*	*			
*	*	*			
*	*	*			



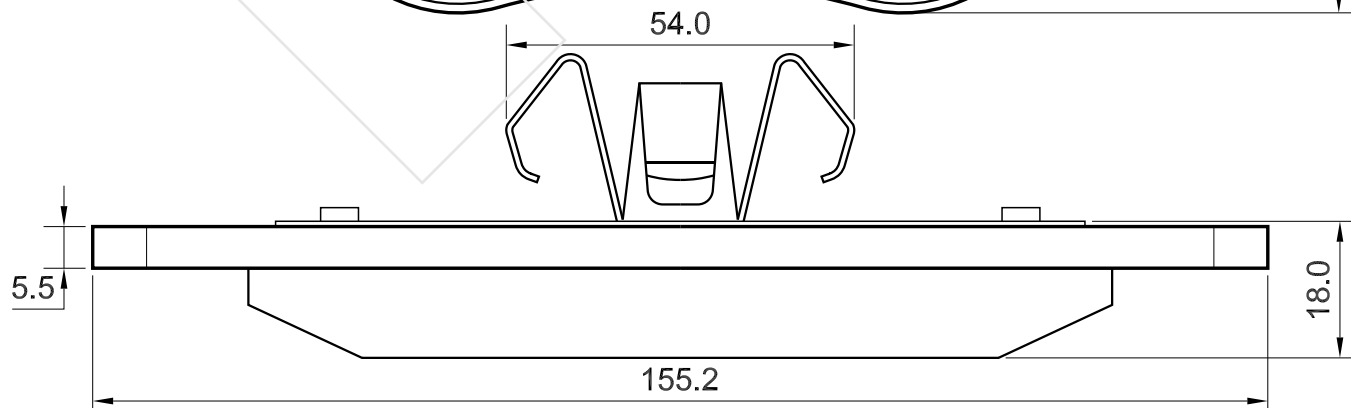
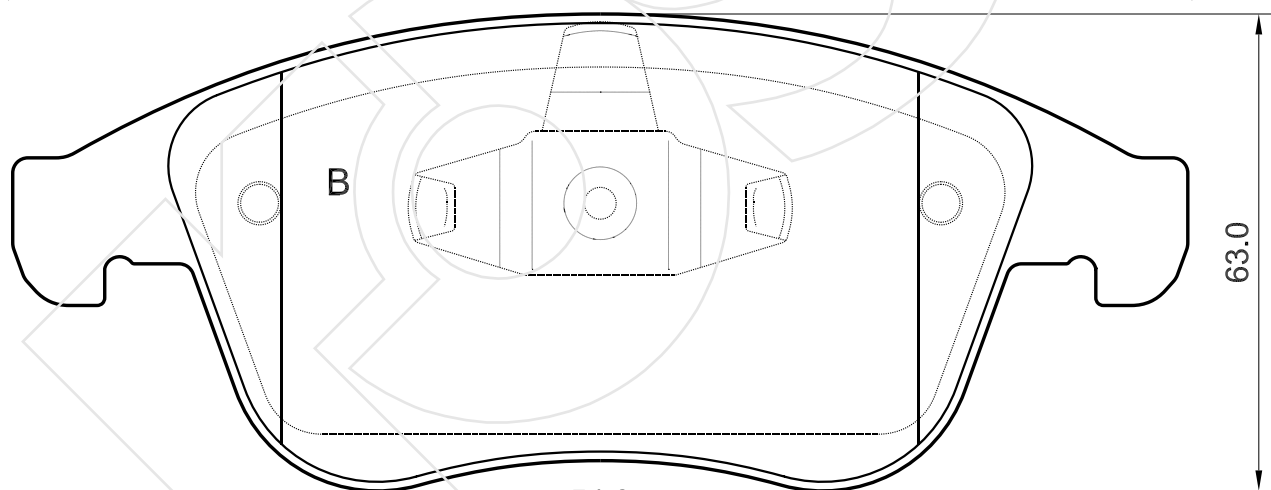
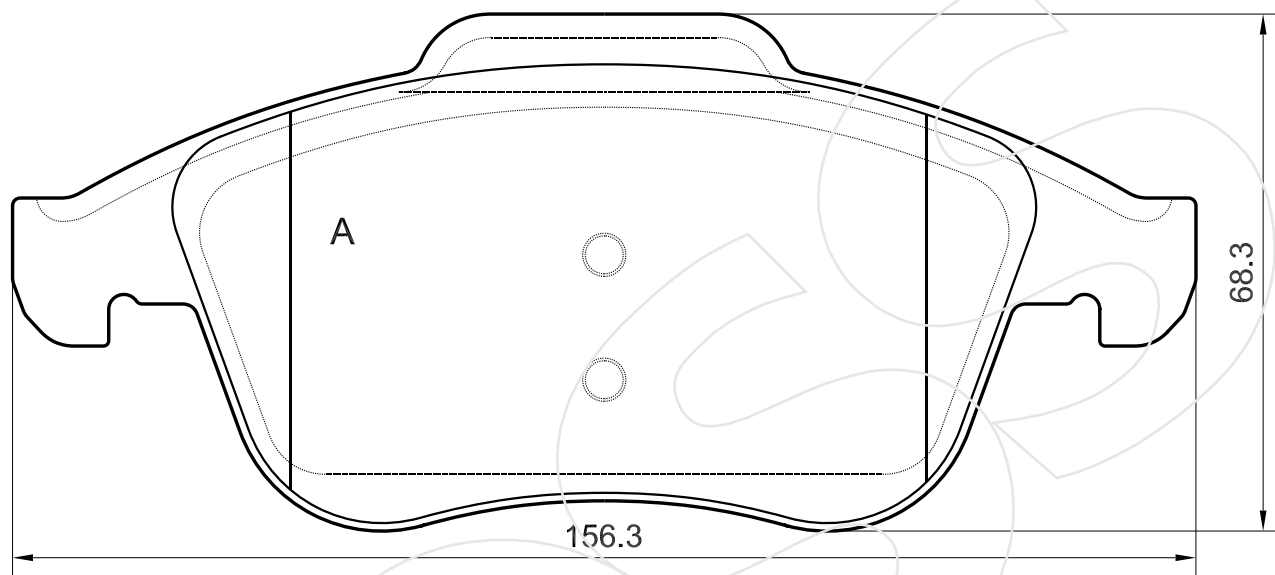
Reference in this Catalogue to other manufactures and to part numbers and other descriptions are for identification purposes only, because the above DISC BRAKE PADS are NOT ORIGINAL but with these interchangeable.

CODICE	IMPIANTO		ASSE	SCALA	APPLICAZIONI
<b>R-1429</b>	BOSCH		POSTERIORE	1:1	AUDI
CODICE COMPONENTI	N°	L(mm)	SERIE		SEAT
*	*	*	4 PEZZI		VOLKSWAGEN
*	*	*	*		
*	*	*	*		
*	*	*	*		
CODICE ACCESSORI	N°	L(mm)	NOTE		
*	*	*			
*	*	*			
*	*	*			
*	*	*			



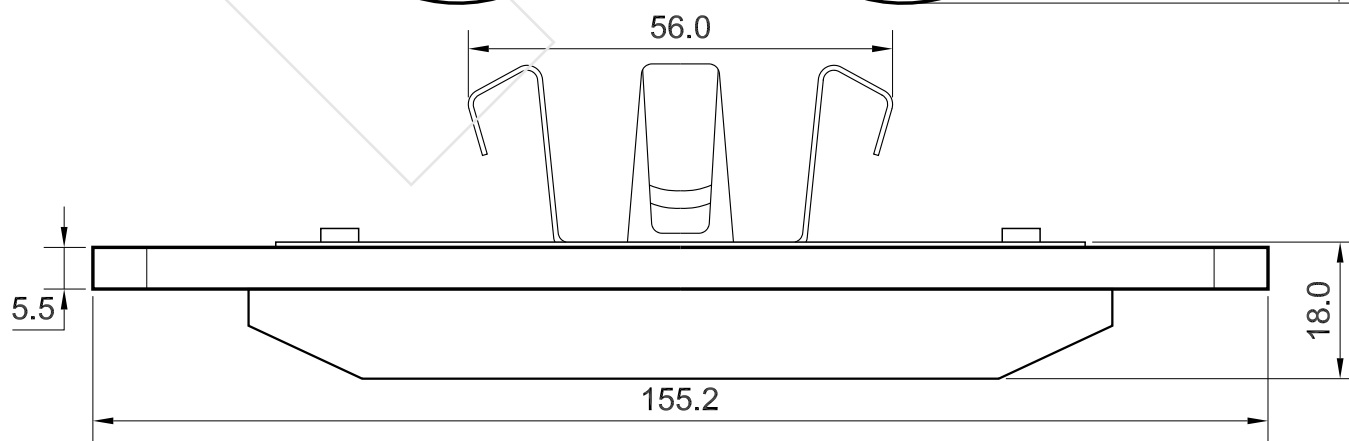
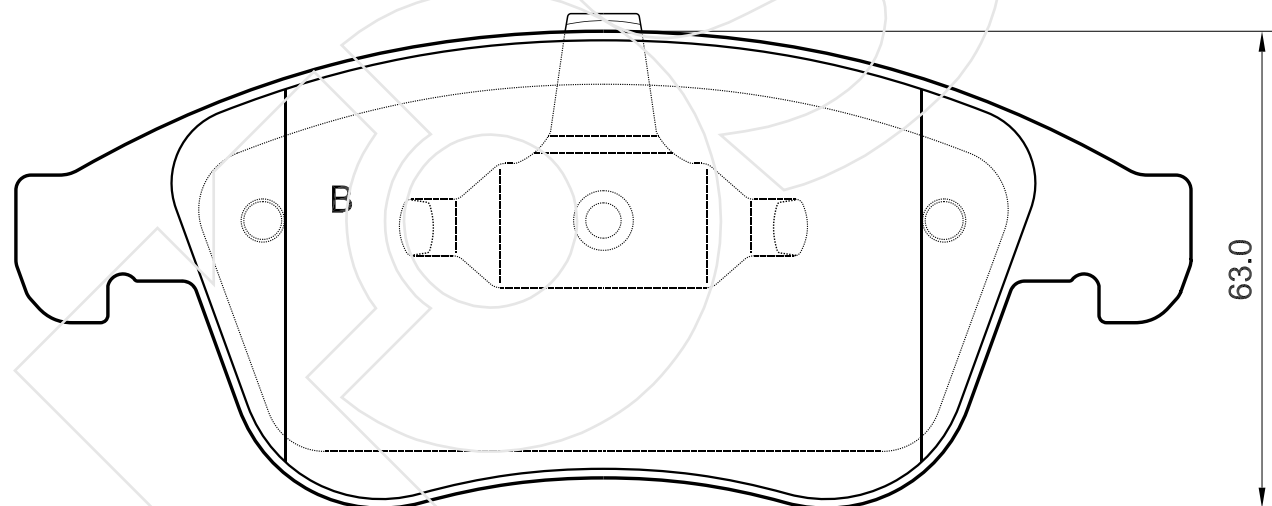
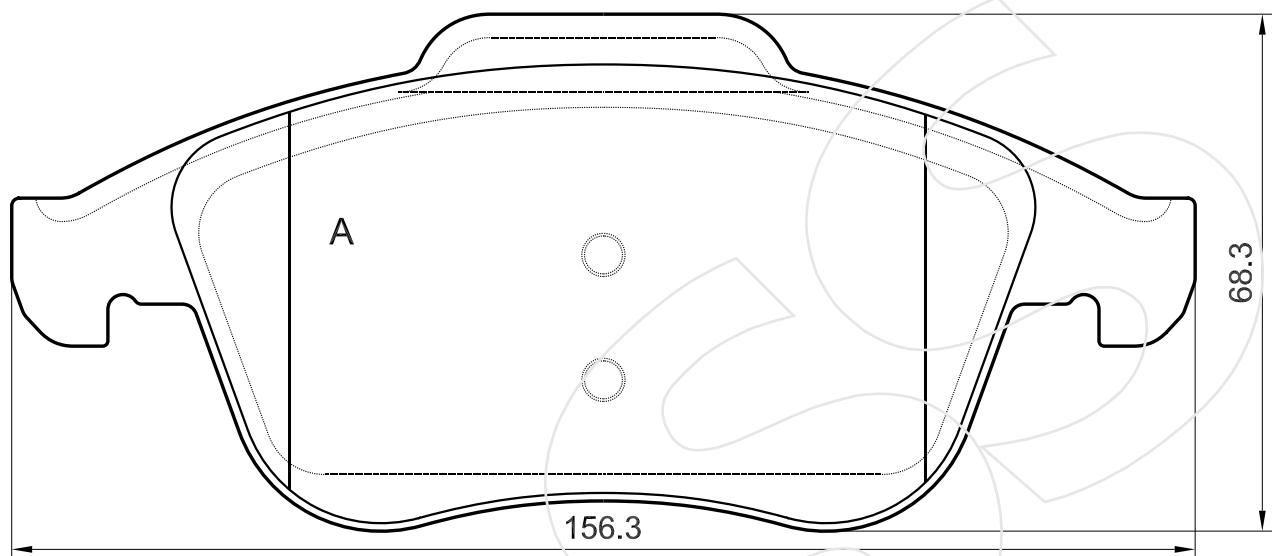
Reference in this Catalogue to other manufactures and to part numbers and other descriptions are for identification purposes only, because the above DISC BRAKE PADS are NOT ORIGINAL but with these interchangeable.

CODICE	IMPIANTO		ASSE	SCALA	APPLICAZIONI
<b>R-1430</b>	ATE		ANTERIORE	1:1	RENAULT
CODICE COMPONENTI	N°	L(mm)	SERIE		
A0000	2	*	2 PEZZI TIPO A		
M0000+A0000	2+2	*	2 PEZZI TIPO B		
*	*	*	*		
*	*	*	*		
CODICE ACCESSORI	N°	L(mm)	NOTE		
*	*	*			
*	*	*			
*	*	*			
*	*	*			



Reference in this Catalogue to other manufactures and to part numbers and other descriptions are for identification purposes only, because the above DISC BRAKE PADS are NOT ORIGINAL but with these interchangeable.

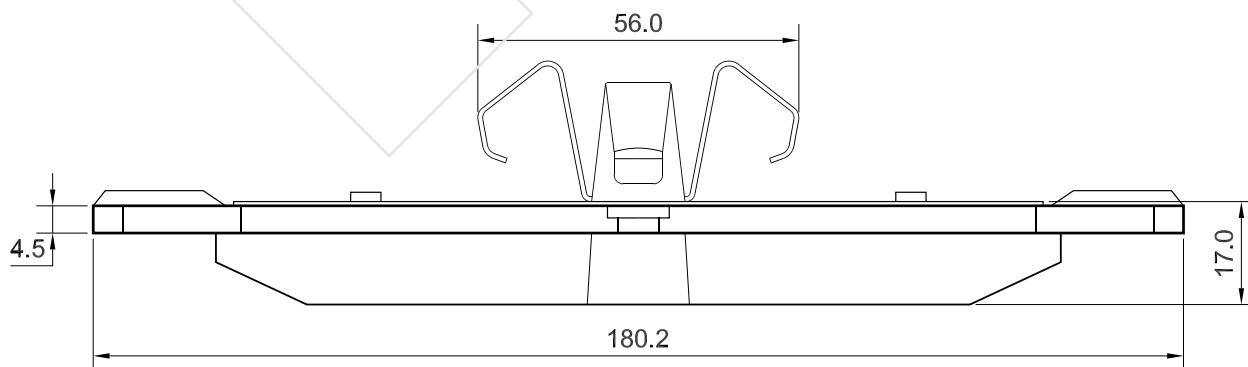
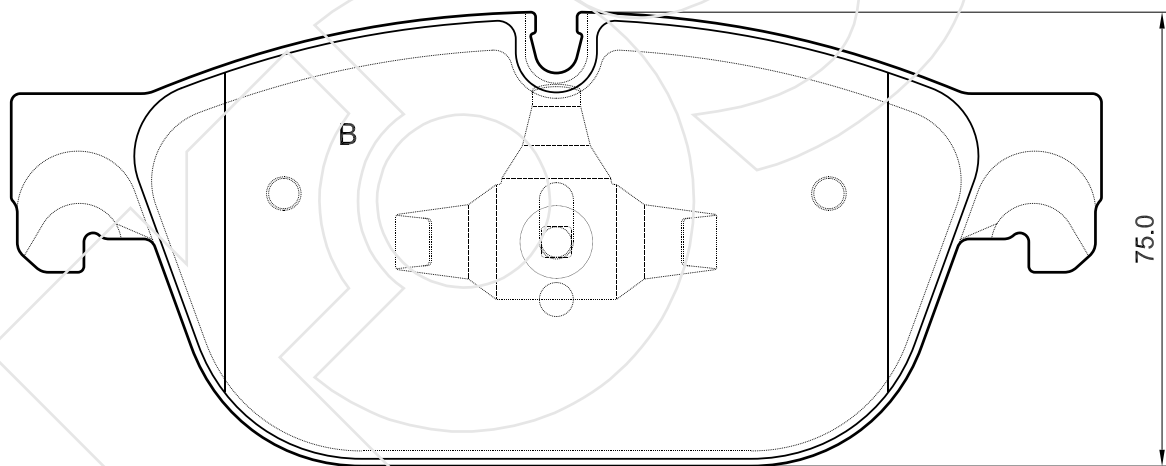
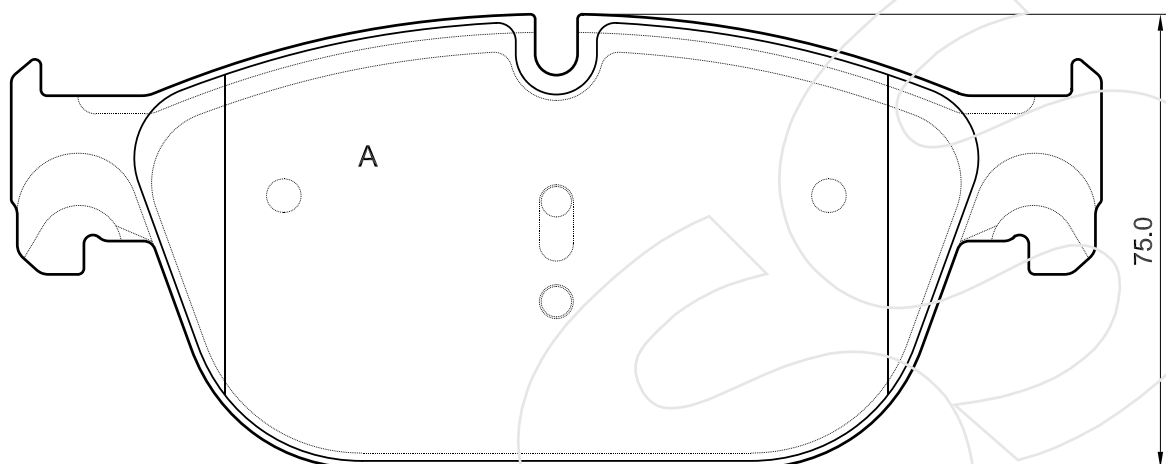
CODICE	IMPIANTO		ASSE	SCALA	APPLICAZIONI
<b>R-1431</b>	ATE		ANTERIORE	1:1	RENAULT
CODICE COMPONENTI	N°	L(mm)	SERIE		
A0000	2	*	2 PEZZI TIPO A		
A0000+M0000	2+2	*	2 PEZZI TIPO B		
*	*	*	*		
*	*	*	*		
CODICE ACCESSORI	N°	L(mm)	NOTE		
*	*	*			
*	*	*			
*	*	*			
*	*	*			



Reference in this Catalogue to other manufactures and to part numbers and other descriptions are for identification purposes only, because the above DISC BRAKE PADS are NOT ORIGINAL but with these interchangeable.

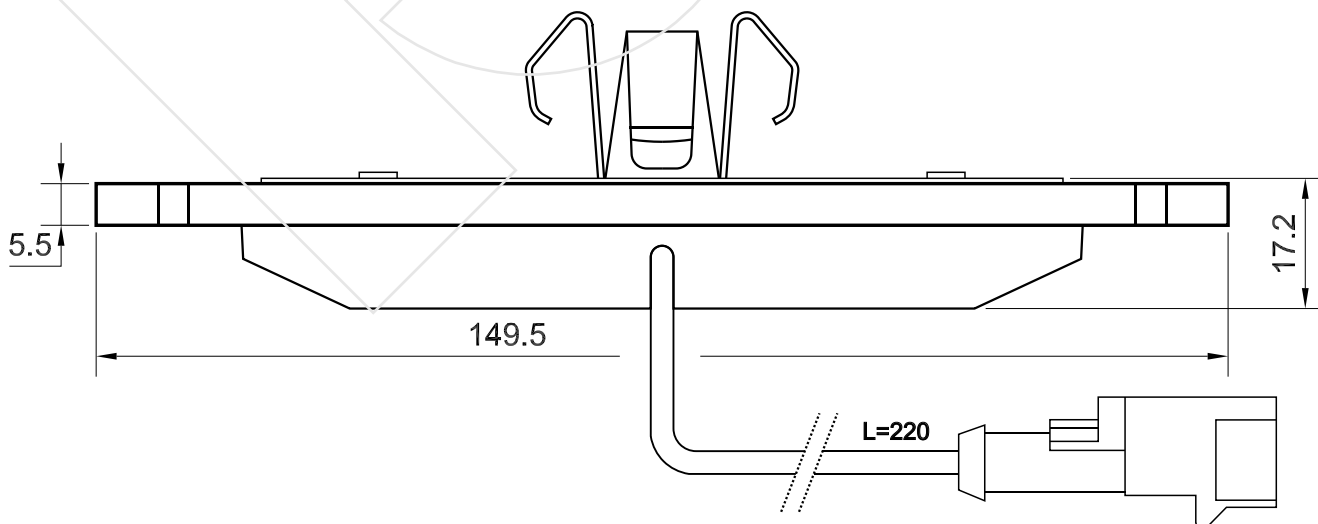
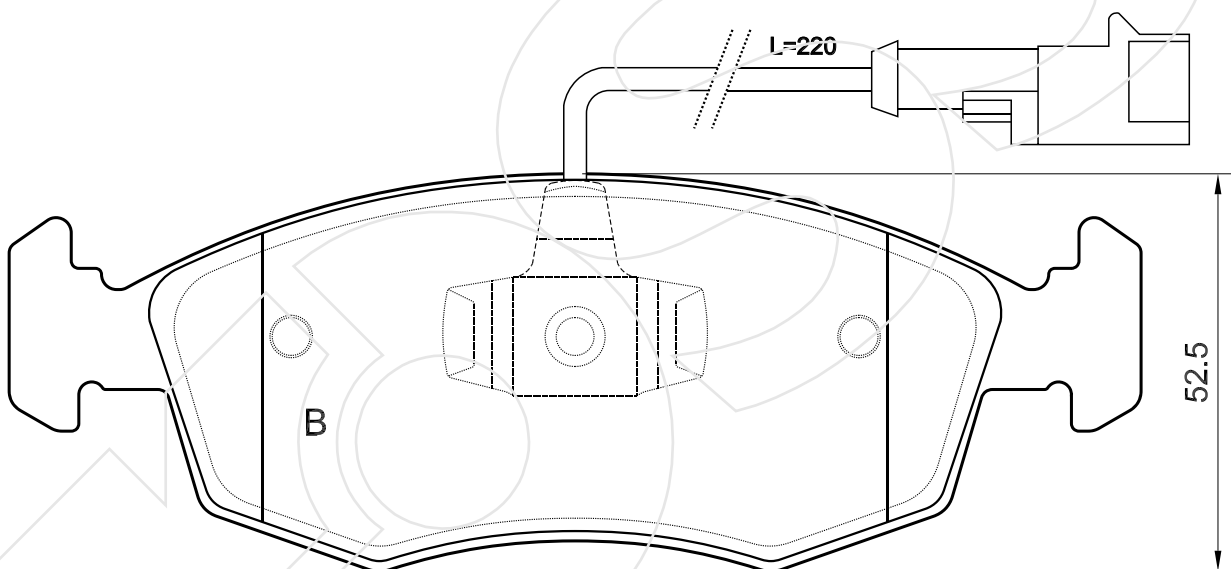
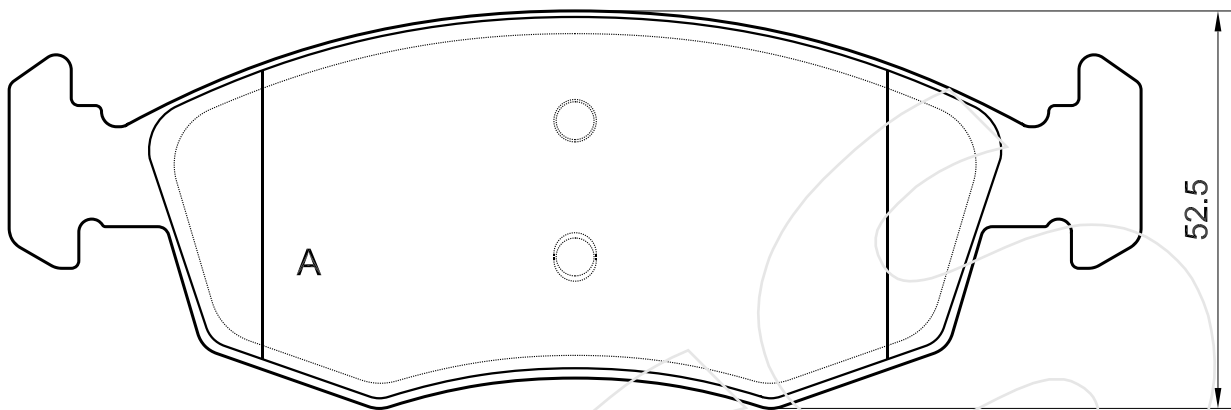


CODICE	IMPIANTO		ASSE	SCALA	APPLICAZIONI
<b>R-1432</b>	ATE		ANTERIORE	80%	CITROEN PEUGEOT
CODICE COMPONENTI	N°	L(mm)	SERIE		
*	*	*	2 PEZZI TIPO A		
M0000	2	*	2 PEZZI TIPO B		
*	*	*	*		
*	*	*	*		
CODICE ACCESSORI	N°	L(mm)	NOTE		
*	*	*			
*	*	*			
*	*	*			
*	*	*			



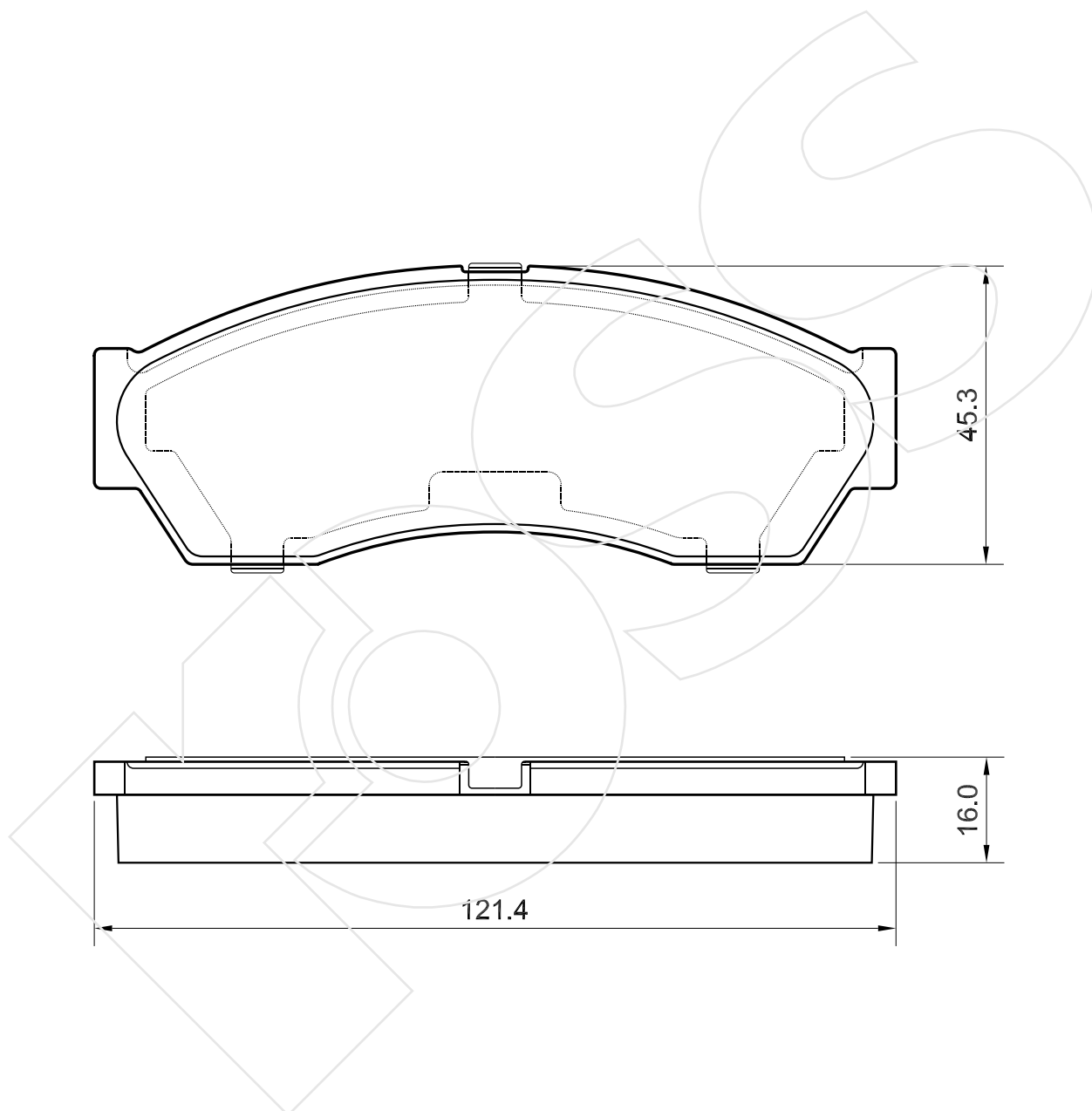
Reference in this Catalogue to other manufactures and to part numbers and other descriptions are for identification purposes only, because the above DISC BRAKE PADS are NOT ORIGINAL but with these interchangeable.

CODICE	IMPIANTO		ASSE	SCALA	APPLICAZIONI
<b>R-1433</b>	ATE		ANTERIORE	1:1	FIAT
CODICE COMPONENTI	N°	L(mm)	SERIE		
*	*	*	2 PEZZI TIPO A		
M0200+F3019	2+2	210	2 PEZZI TIPO B		
*	*	*	*		
*	*	*	*		
CODICE ACCESSORI	N°	L(mm)	NOTE		
*	*	*			
*	*	*			
*	*	*			
*	*	*			



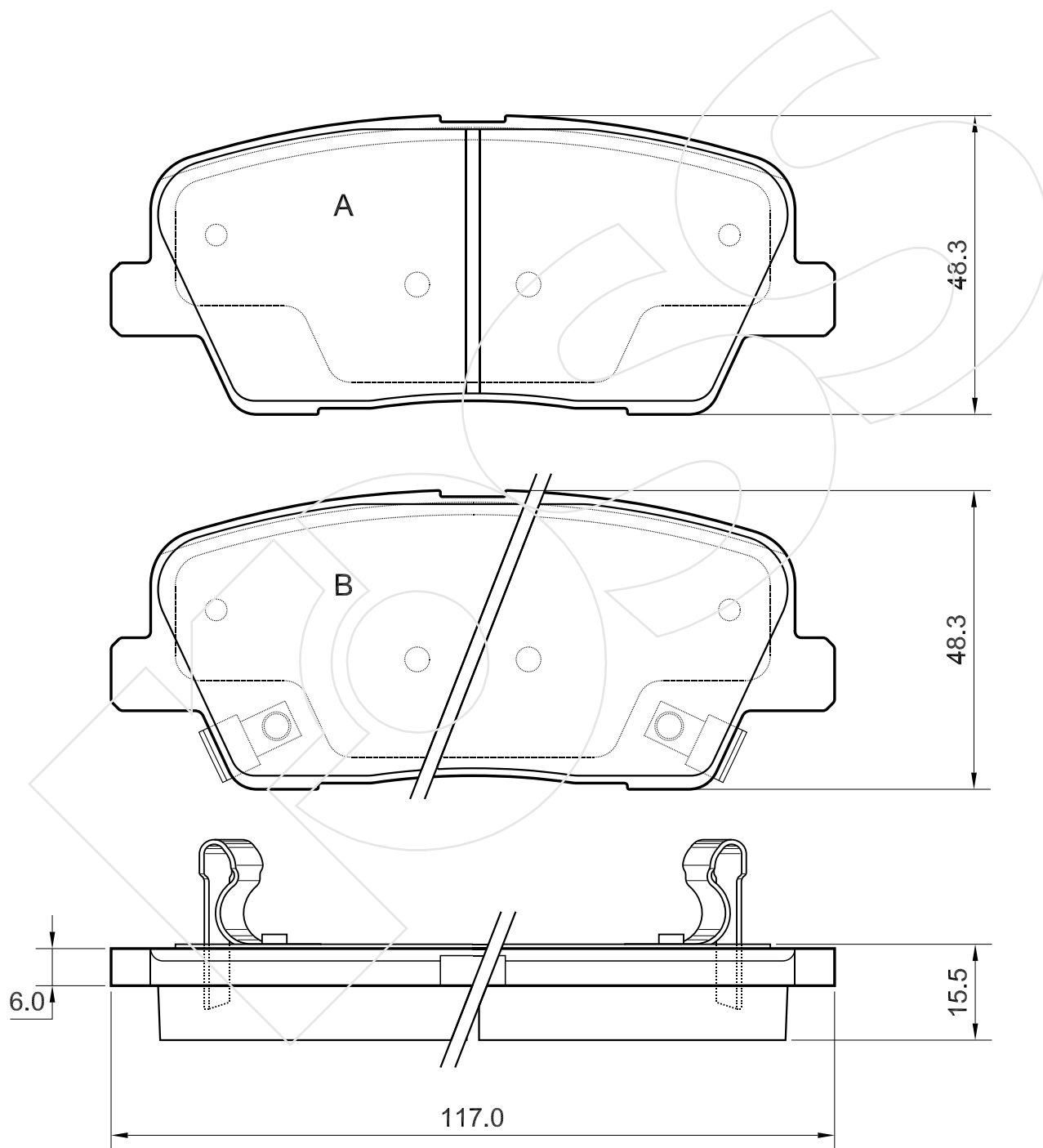
Reference in this Catalogue to other manufactures and to part numbers and other descriptions are for identification purposes only, because the above DISC BRAKE PADS are NOT ORIGINAL but with these interchangeable.

CODICE	IMPIANTO		ASSE	SCALA	APPLICAZIONI
<b>R-1434</b>	TRW		ANTERIORE	1:1	ROVER
CODICE COMPONENTI	N°	L(mm)	SERIE		TATA
*	*	*	4 PEZZI		
*	*	*	*		
*	*	*	*		
*	*	*	*		
CODICE ACCESSORI	N°	L(mm)	NOTE		
*	*	*			
*	*	*			
*	*	*			
*	*	*			



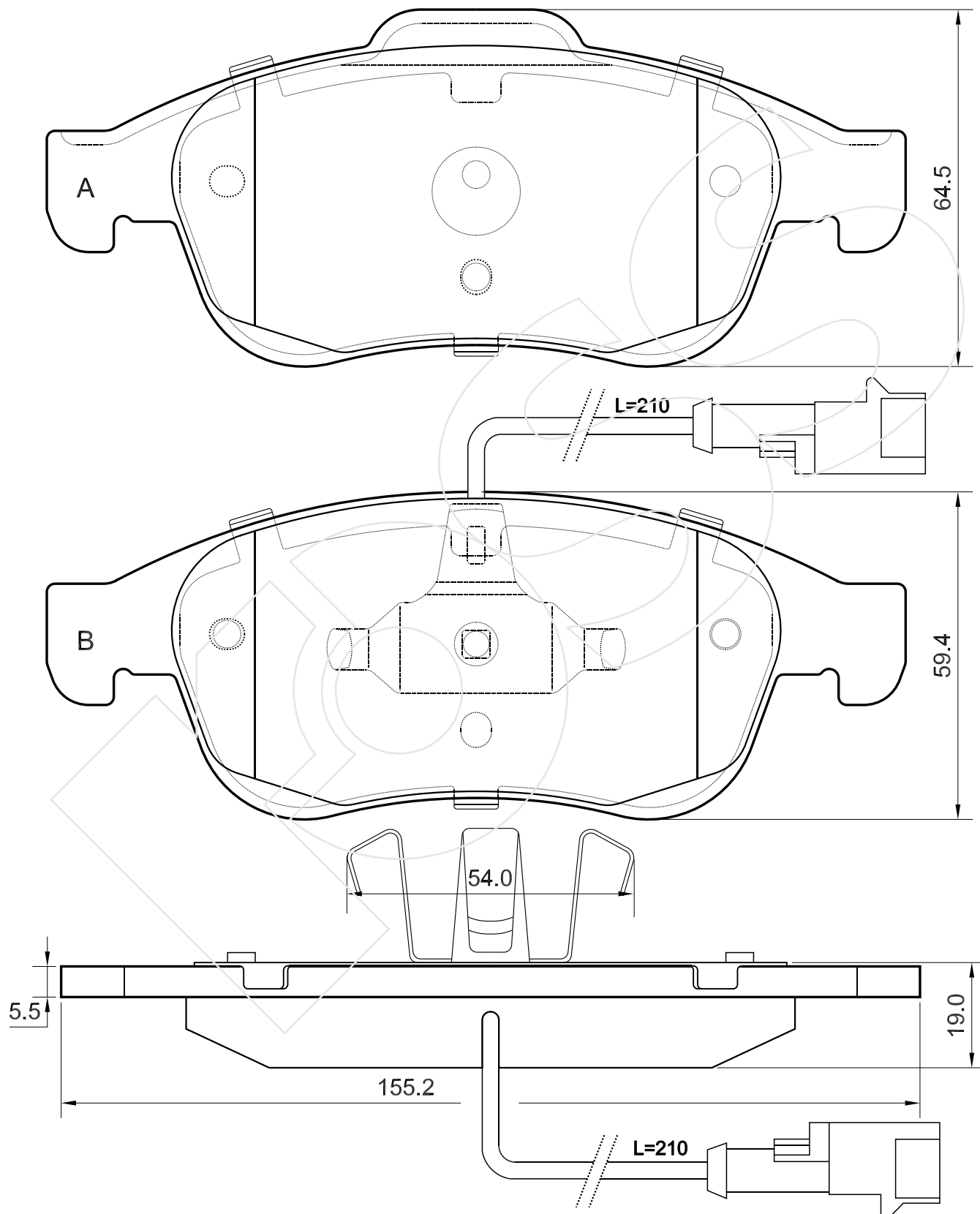
Reference in this Catalogue to other manufactures and to part numbers and other descriptions are for identification purposes only, because the above DISC BRAKE PADS are NOT ORIGINAL but with these interchangeable.

CODICE	IMPIANTO		ASSE	SCALA	APPLICAZIONI
<b>R-1435</b>	MANDO		POSTERIORE	1:1	KIA
CODICE COMPONENTI	N°	L(mm)	SERIE		
*	*	*	2 PEZZI TIPO A		
M0000	2	*	2 PEZZI TIPO B		
*	*	*	*		
*	*	*	*		
CODICE ACCESSORI	N°	L(mm)	NOTE		
*	*	*			
*	*	*			
*	*	*			
*	*	*			



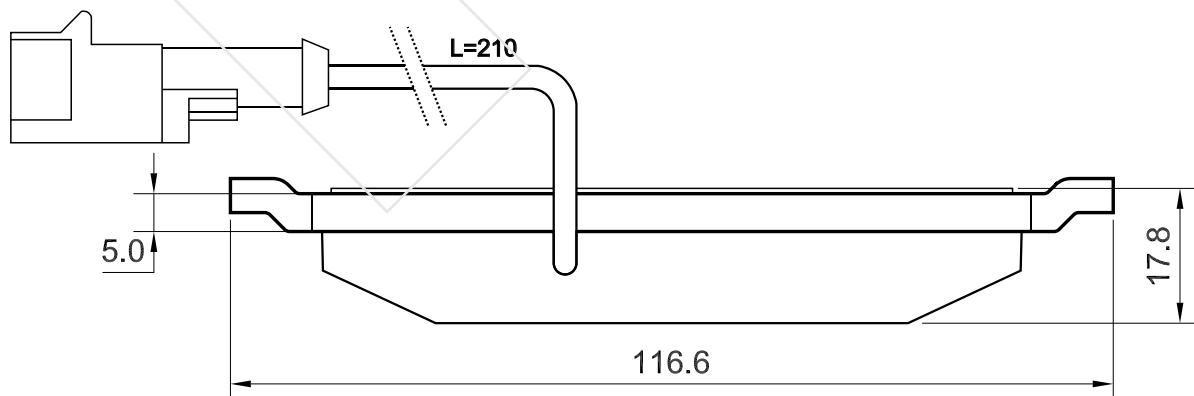
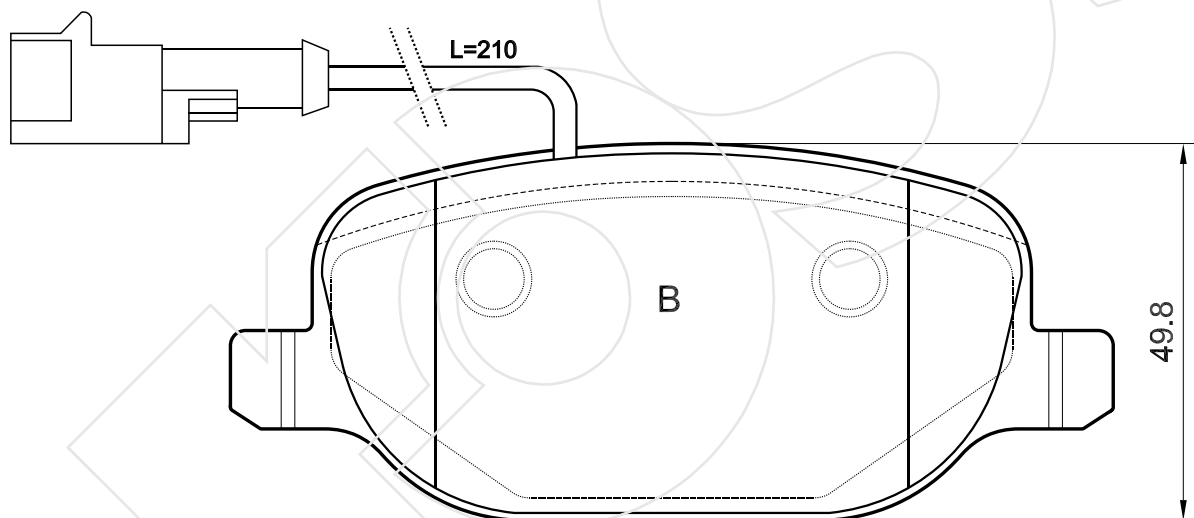
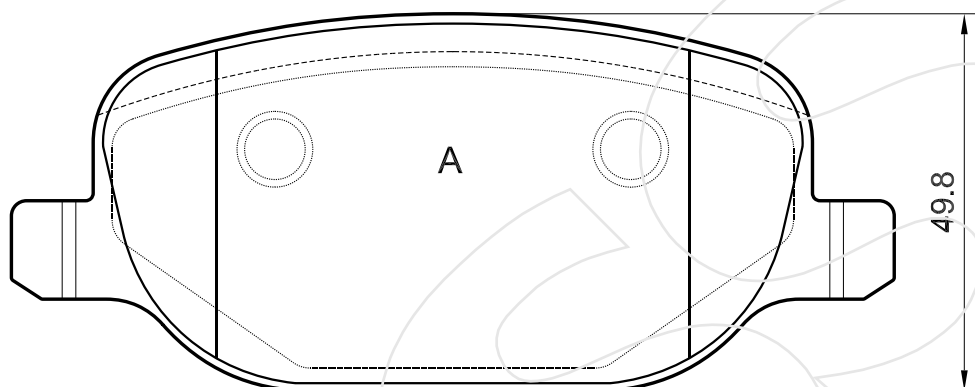
Reference in this Catalogue to other manufactures and to part numbers and other descriptions are for identification purposes only, because the above DISC BRAKE PADS are NOT ORIGINAL but with these interchangeable.

CODICE	IMPIANTO		ASSE	SCALA	APPLICAZIONI
<b>R-1436</b>	ATE		ANTERIORE	1:1	ALFA ROMEO
CODICE COMPONENTI	N°	L(mm)	SERIE		
*	*	*	2 PEZZI TIPO A		
M0203+F3019	2+2	210	2 PEZZI TIPO B		
*	*	*	*		
*	*	*	*		
CODICE ACCESSORI	N°	L(mm)	NOTE		
*	*	*			
*	*	*			
*	*	*			
*	*	*			



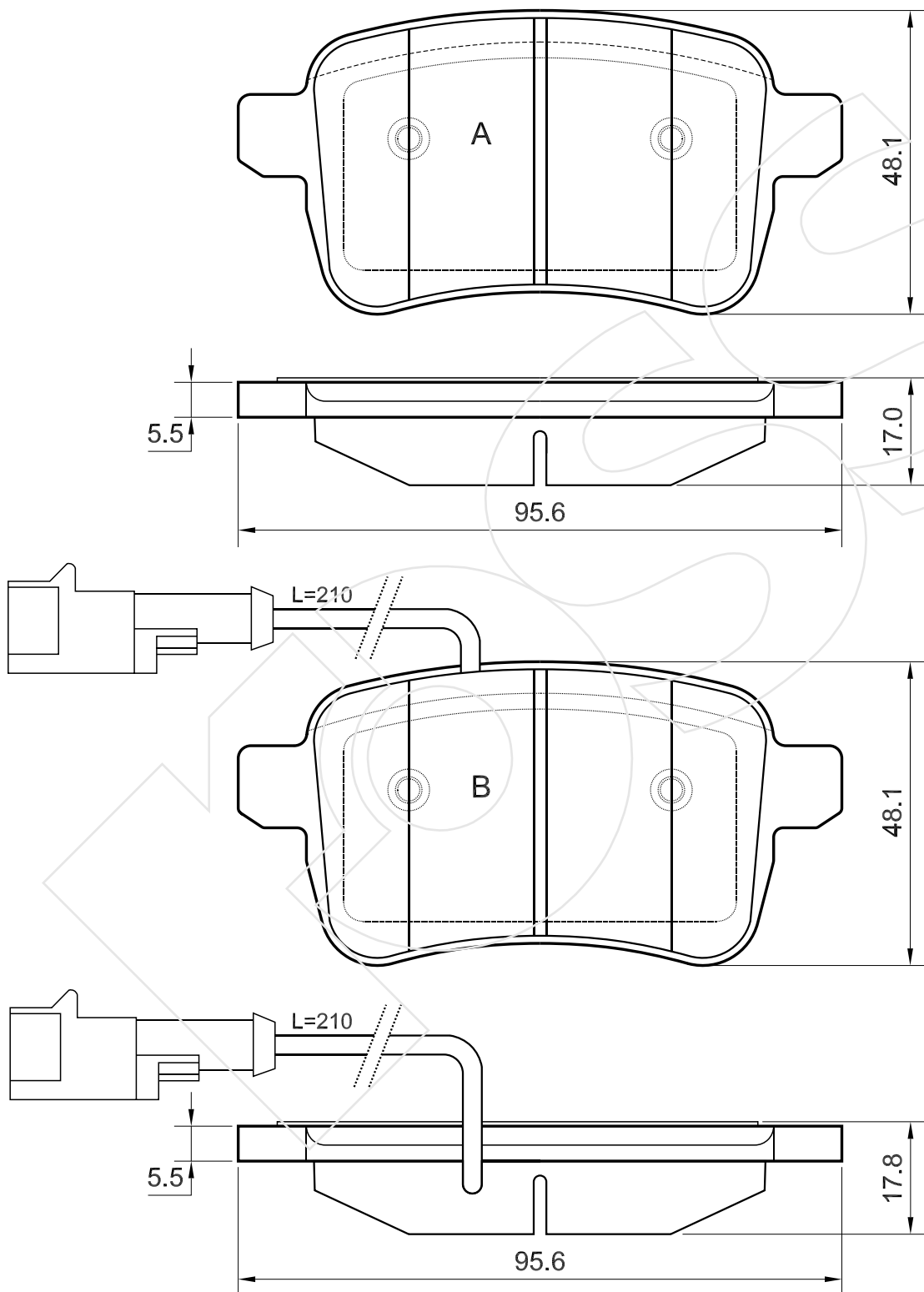
Reference in this Catalogue to other manufactures and to part numbers and other descriptions are for identification purposes only, because the above DISC BRAKE PADS are NOT ORIGINAL but with these interchangeable.

CODICE	IMPIANTO		ASSE	SCALA	APPLICAZIONI
<b>R-1437</b>	TRW		POSTERIORE	1:1	ALFA ROMEO
CODICE COMPONENTI	N°	L(mm)	SERIE		
*	*	*	2 PEZZI TIPO A		
F3019	2	210	2 PEZZI TIPO B		
*	*	*	*		
*	*	*	*		
CODICE ACCESSORI	N°	L(mm)	NOTE		
*	*	*			
*	*	*			
*	*	*			
*	*	*			



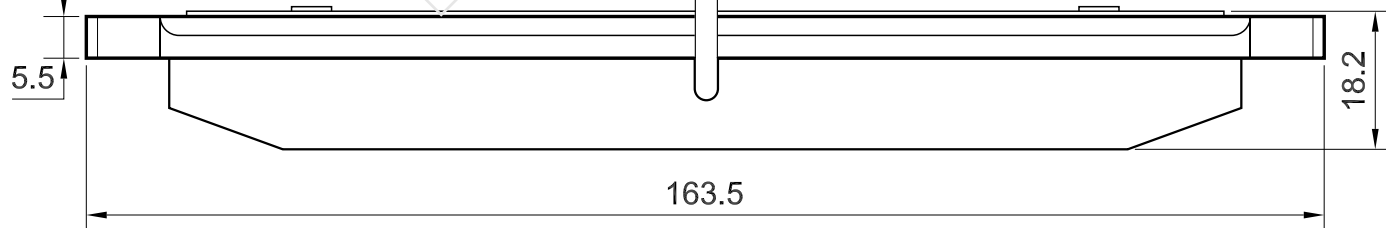
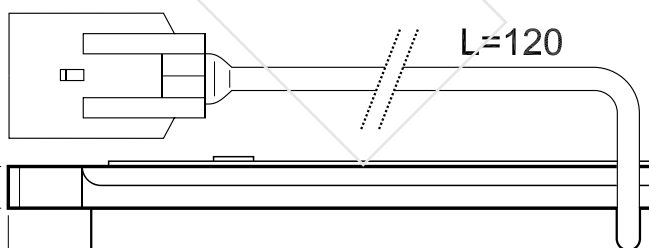
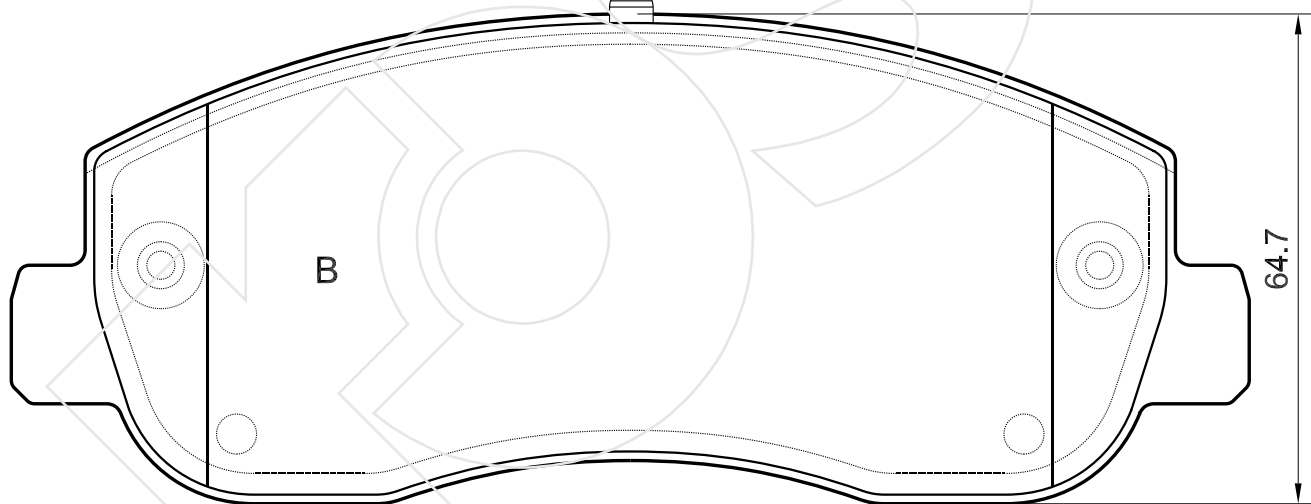
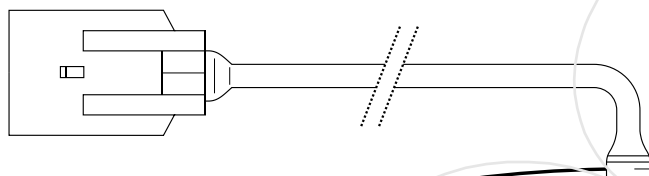
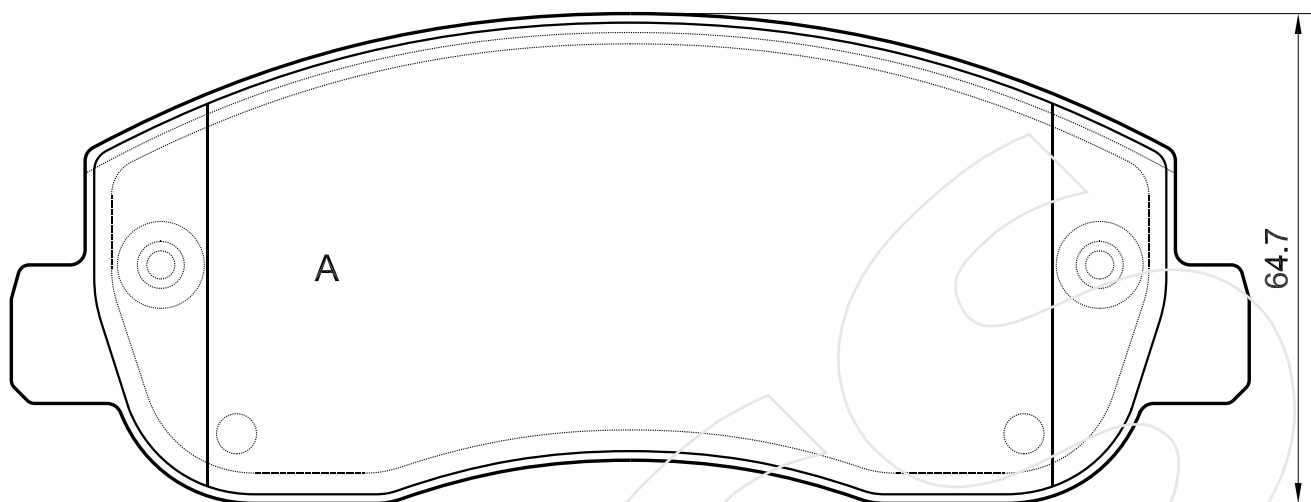
Reference in this Catalogue to other manufactures and to part numbers and other descriptions are for identification purposes only, because the above DISC BRAKE PADS are NOT ORIGINAL but with these interchangeable.

CODICE	IMPIANTO		ASSE	SCALA	APPLICAZIONI
<b>R-1438</b>	TRW		POTERIORE	1:1	ALFA ROMEO
CODICE COMPONENTI	N°	L(mm)	SERIE		
*	*	*	2 PEZZI TIPO A		
F0000	2	210	2 PEZZI TIPO B		
*	*	*	*		
*	*	*	*		
CODICE ACCESSORI	N°	L(mm)	NOTE		
*	*	*			
*	*	*			
*	*	*			
*	*	*			



Reference in this Catalogue to other manufactures and to part numbers and other descriptions are for identification purposes only, because the above DISC BRAKE PADS are NOT ORIGINAL but with these interchangeable.

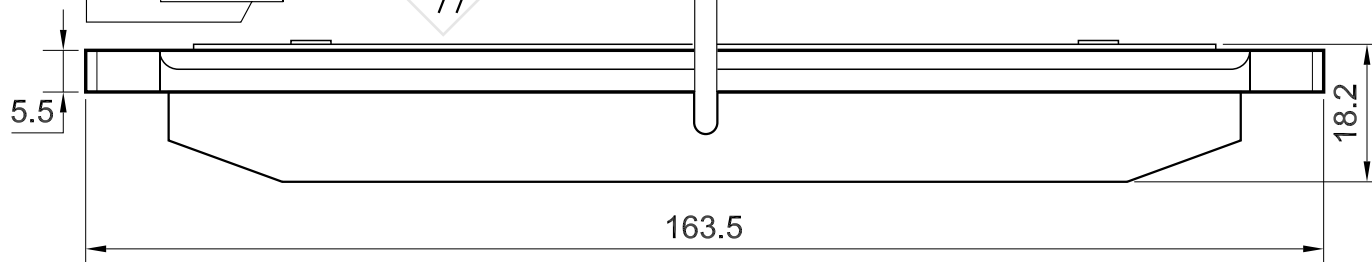
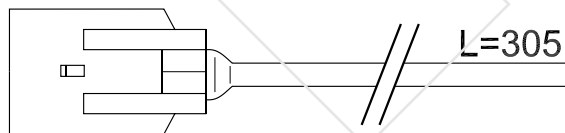
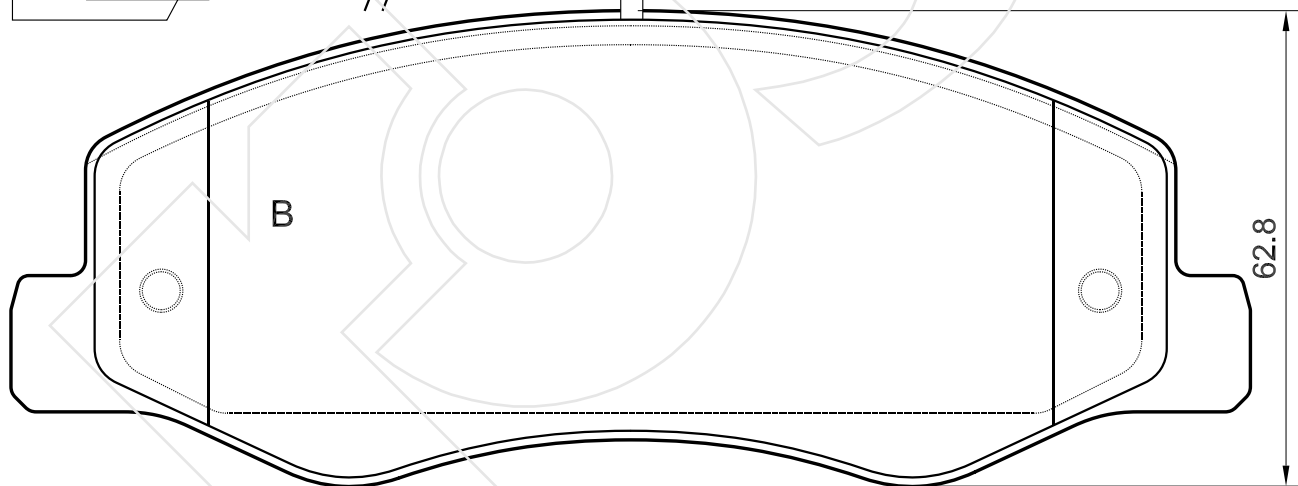
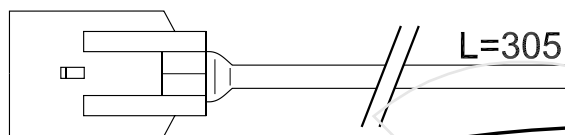
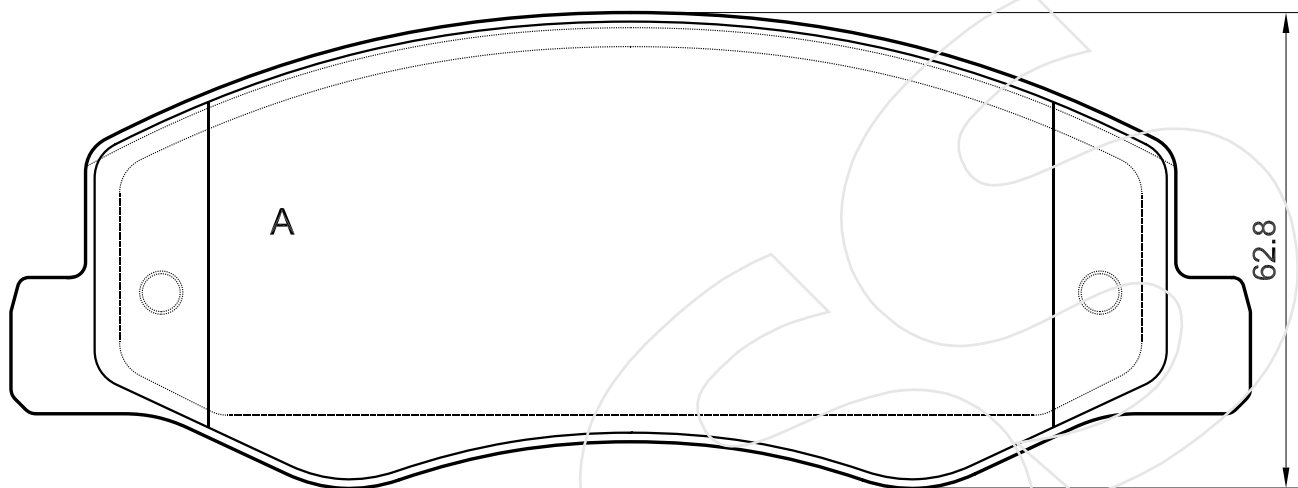
CODICE	IMPIANTO		ASSE	SCALA	APPLICAZIONI
<b>R-1439</b>	BREMBO		ANTERIORE	1:1	NISSAN OPEL RENAULT
CODICE COMPONENTI	N°	L(mm)	SERIE		
*	*	*	3 PEZZI TIPO A		
F0000	1	120	1 PEZZO TIPO B		
*	*	*	*		
CODICE ACCESSORI	N°	L(mm)	NOTE		
*	*	*			
*	*	*			
*	*	*			
*	*	*			



Reference in this Catalogue to other manufactures and to part numbers and other descriptions are for identification purposes only, because the above DISC BRAKE PADS are NOT ORIGINAL but with these interchangeable.

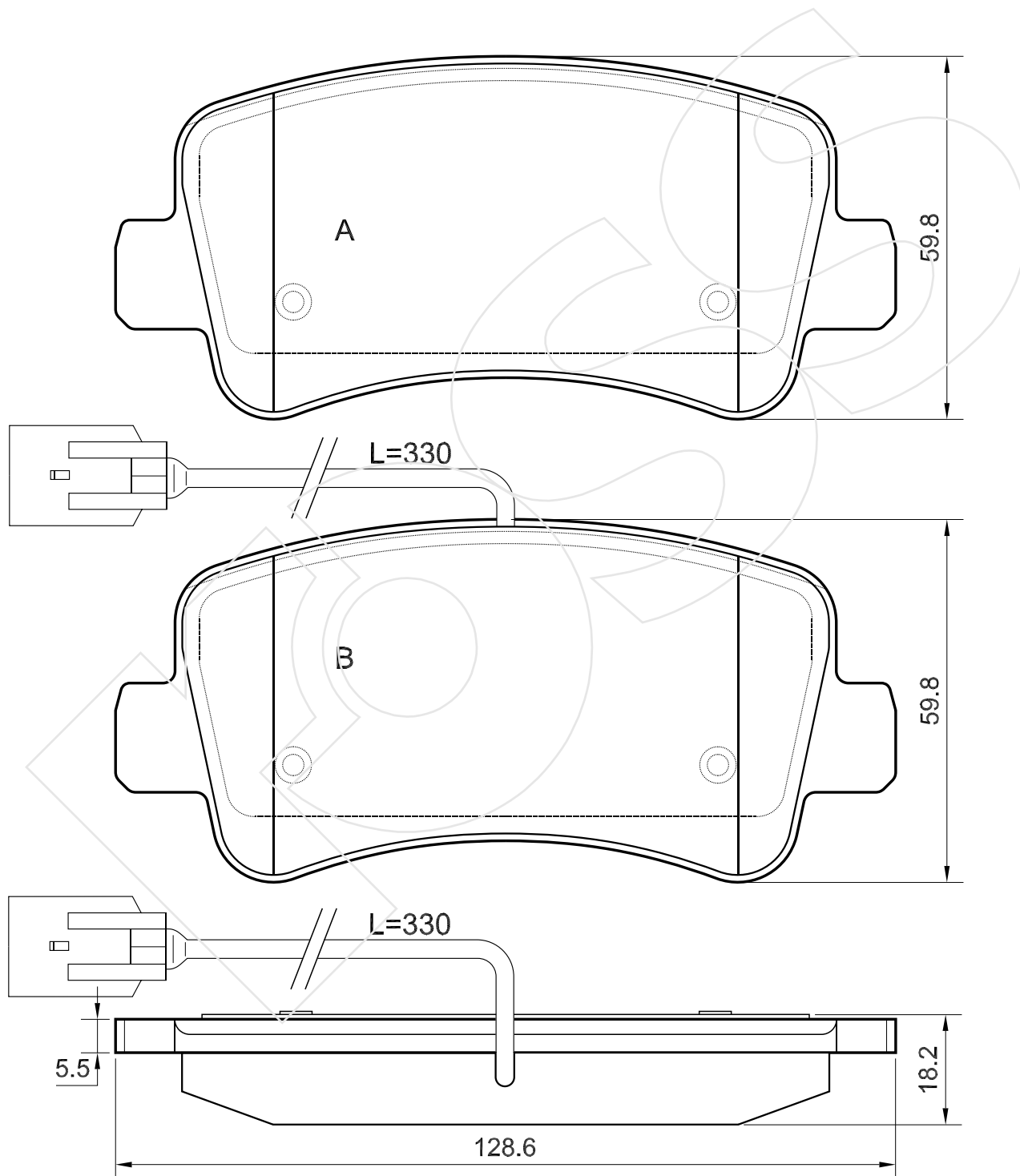


CODICE	IMPIANTO		ASSE	SCALA	APPLICAZIONI
<b>R-1440</b>	BREMBO		POSTERIORE	1:1	OPEL
CODICE COMPONENTI	N°	L(mm)	SERIE		RENAULT
*	*	*	3 PEZZI TIPO A		
F0000	1	305	1 PEZZO TIPO B		
*	*	*	*		
CODICE ACCESSORI	N°	L(mm)	NOTE		
*	*	*			
*	*	*			
*	*	*			
*	*	*			



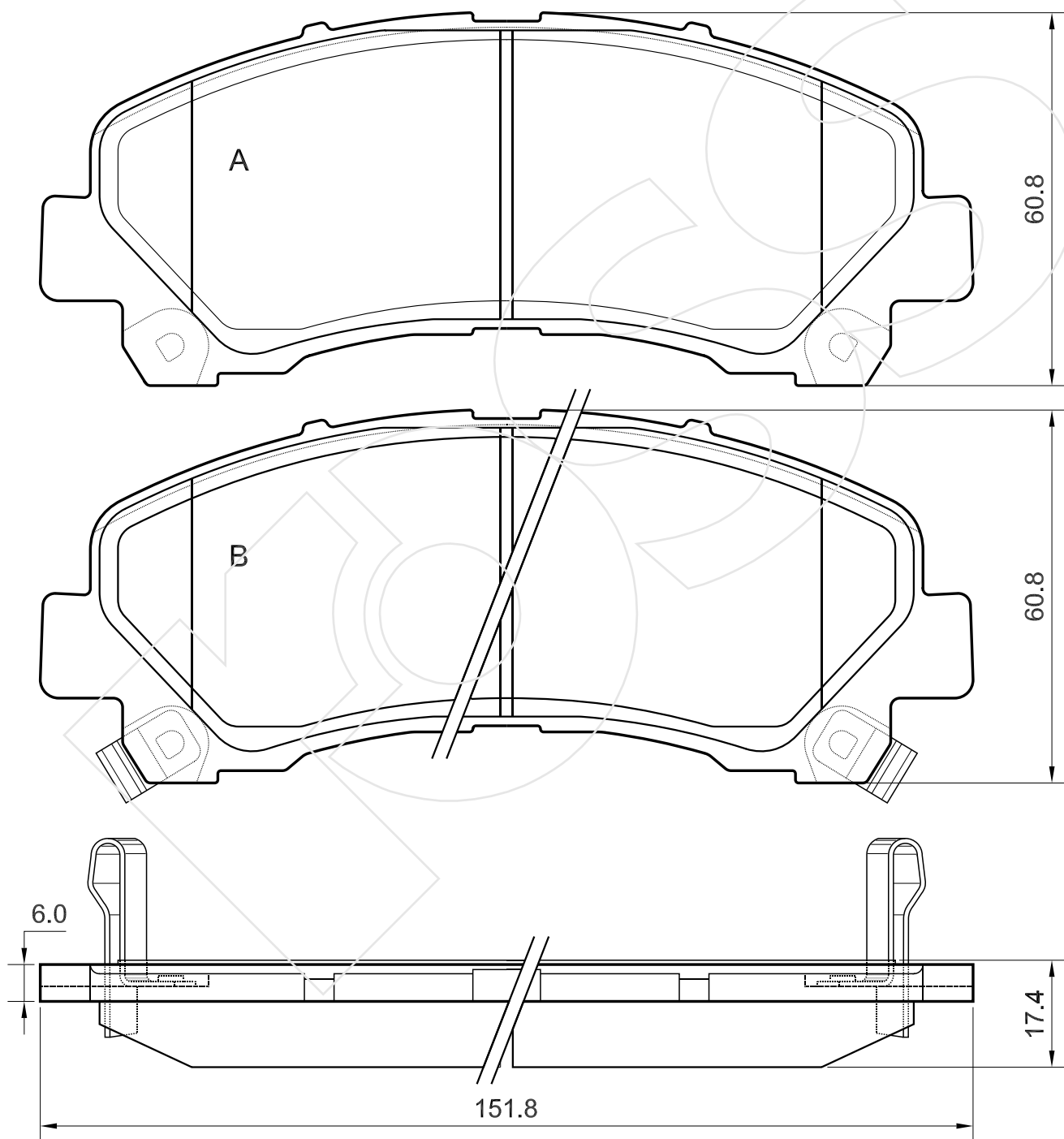
Reference in this Catalogue to other manufactures and to part numbers and other descriptions are for identification purposes only, because the above DISC BRAKE PADS are NOT ORIGINAL but with these interchangeable.

CODICE	IMPIANTO		ASSE	SCALA	APPLICAZIONI
<b>R-1441</b>	BOSCH		POSTERIORE	1:1	NISSAN OPEL RENAULT
CODICE COMPONENTI	N°	L(mm)	SERIE		
*	*	*	3 PEZZI TIPO A		
F0000	1	330	1 PEZZO TIPO B		
*	*	*	*		
CODICE ACCESSORI	N°	L(mm)	NOTE		
*	*	*			
*	*	*			
*	*	*			
*	*	*			



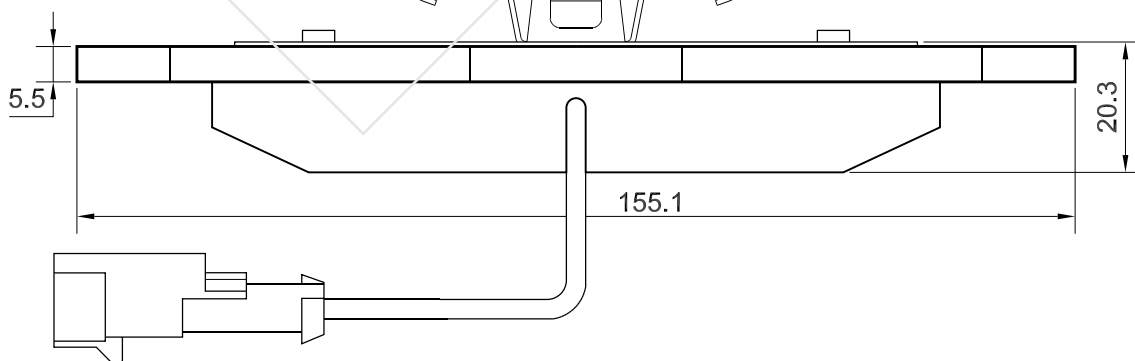
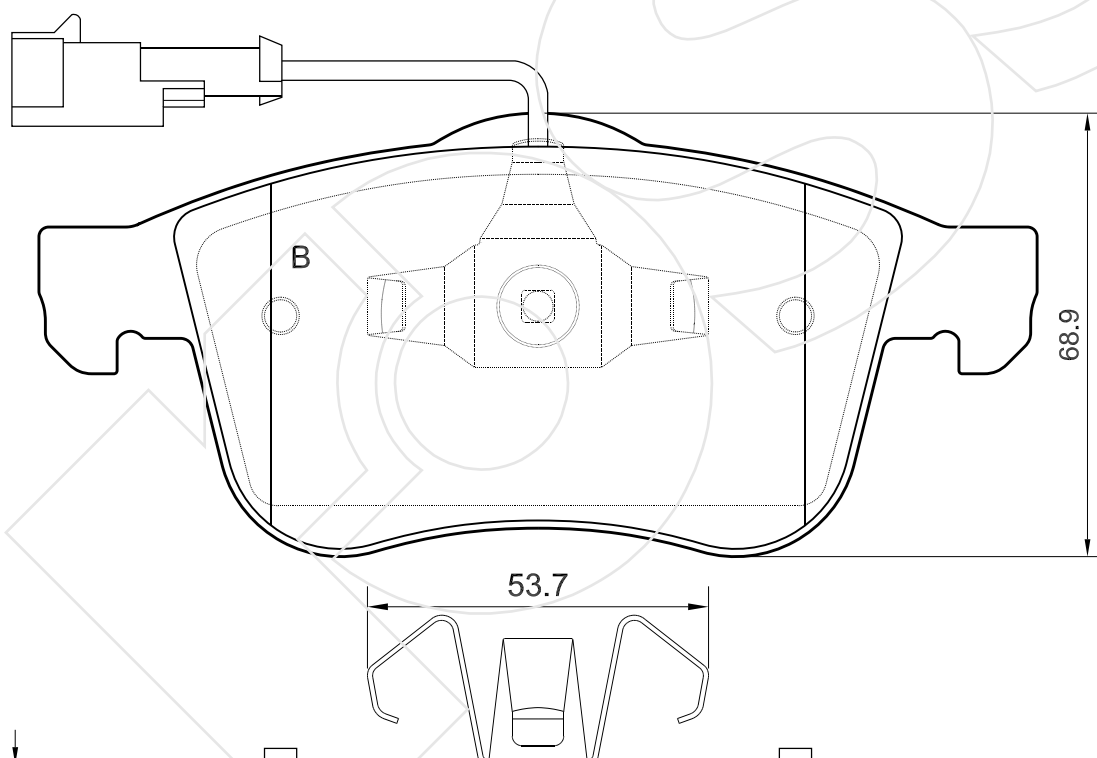
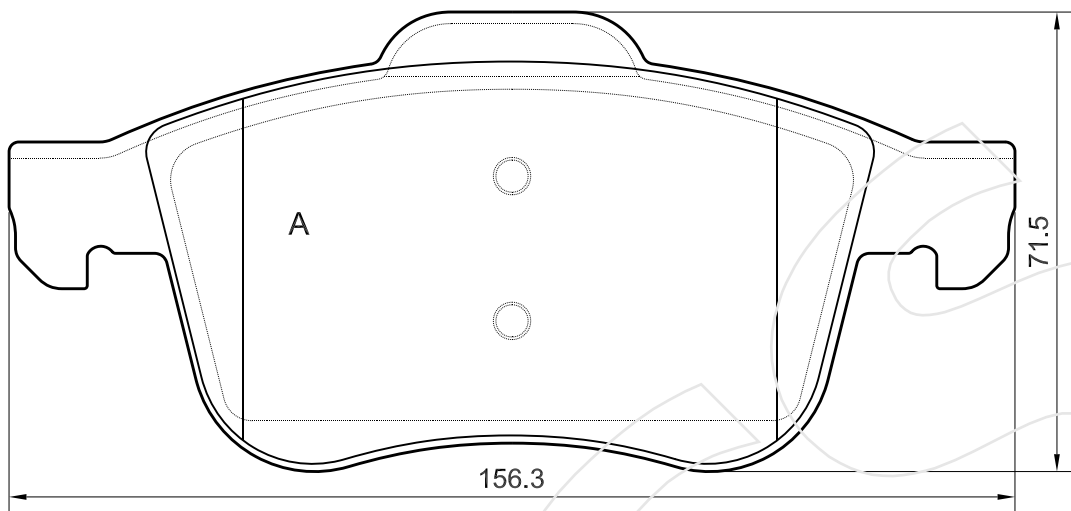
Reference in this Catalogue to other manufactures and to part numbers and other descriptions are for identification purposes only, because the above DISC BRAKE PADS are NOT ORIGINAL but with these interchangeable.

CODICE	IMPIANTO	ASSE	SCALA	APPLICAZIONI
<b>R-1442</b>	AKEBONO	ANTERIORE	1:1	ISUZU
CODICE COMPONENTI	N°	L(mm)	SERIE	
*	*	*	2 PEZZI TIPO A	
M0000	2	*	2 PEZZI TIPO B	
*	*	*	*	
*	*	*	*	
CODICE ACCESSORI	N°	L(mm)	NOTE	
*	*	*		
*	*	*		
*	*	*		
*	*	*		



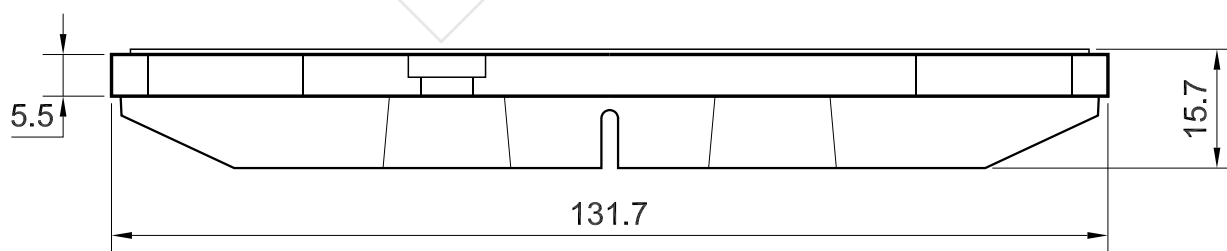
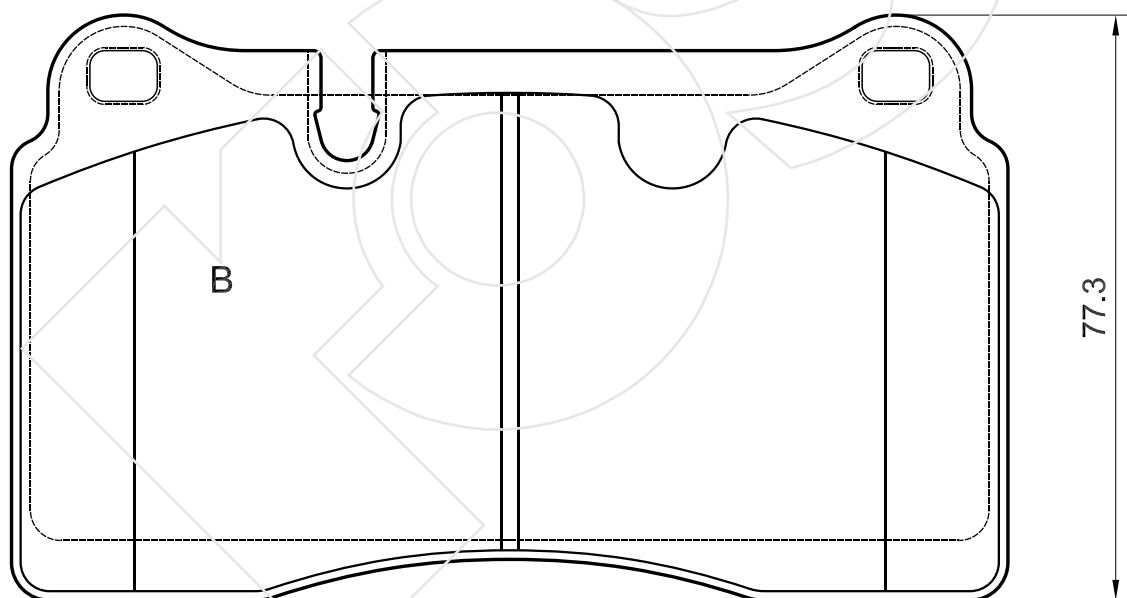
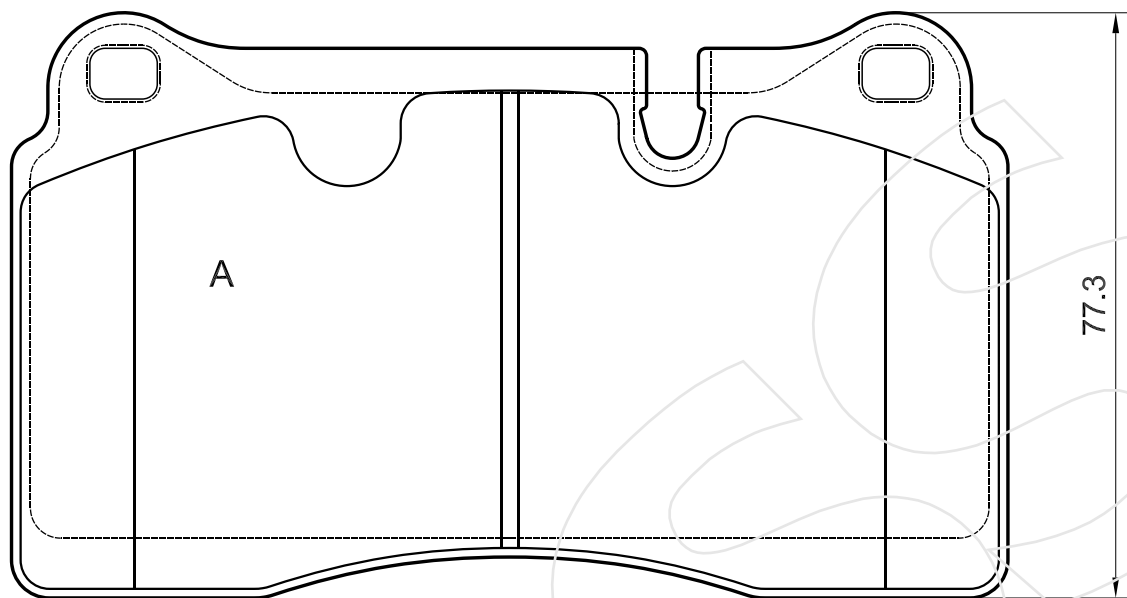
Reference in this Catalogue to other manufactures and to part numbers and other descriptions are for identification purposes only, because the above DISC BRAKE PADS are NOT ORIGINAL but with these interchangeable.

CODICE	IMPIANTO		ASSE	SCALA	APPLICAZIONI
<b>R-1443</b>	ATE		ANTERIORE	85%	ALFA ROMEO
CODICE COMPONENTI	N°	L(mm)	SERIE		
*	*	*	2 PEZZI TIPO A		
M0284+F3020	2+2	230	2 PEZZI TIPO B		
*	*	*	*		
*	*	*	*		
CODICE ACCESSORI	N°	L(mm)	NOTE		
*	*	*			
*	*	*			
*	*	*			
*	*	*			



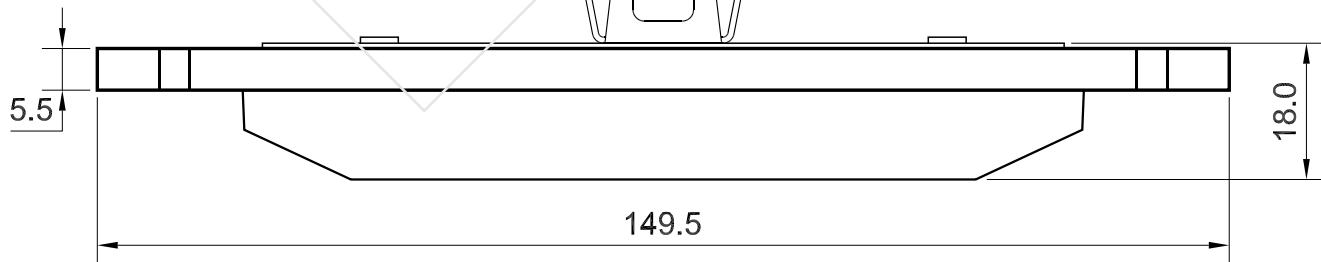
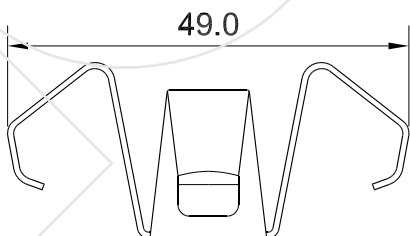
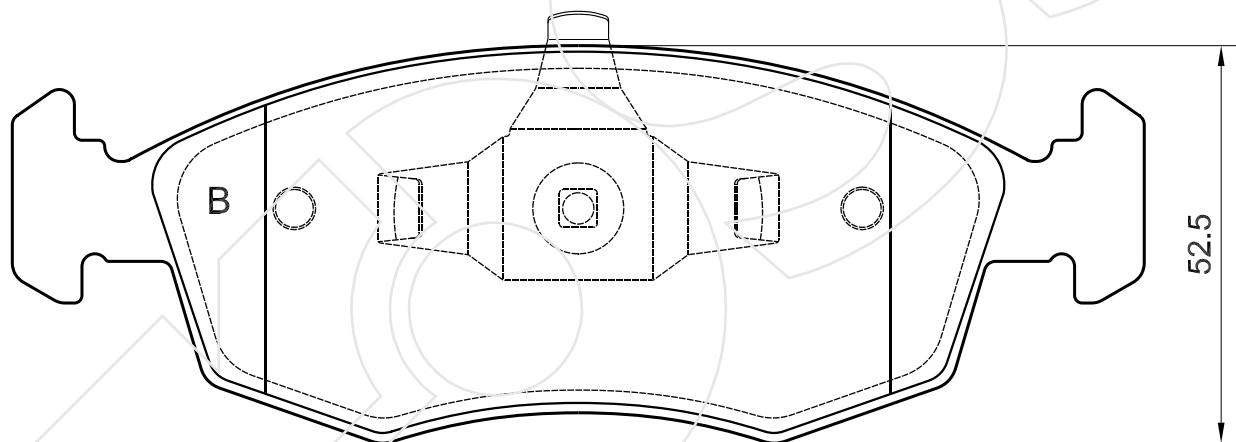
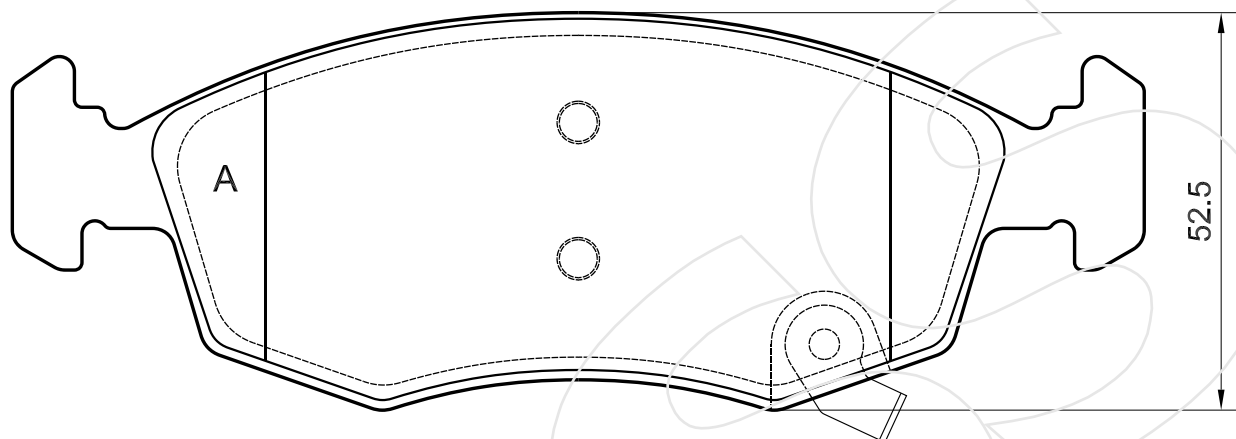
Reference in this Catalogue to other manufactures and to part numbers and other descriptions are for identification purposes only, because the above DISC BRAKE PADS are NOT ORIGINAL but with these interchangeable.

CODICE	IMPIANTO		ASSE	SCALA	APPLICAZIONI
<b>R-1444</b>	BREMBO		ANTERIORE	1:1	ASTON MARTIN
CODICE COMPONENTI	N°	L(mm)	SERIE		
A0000	2	*	2 PEZZI TIPO A		
A0000	2	*	2 PEZZI TIPO B		
*	*	*	*		
*	*	*	*		
CODICE ACCESSORI	N°	L(mm)	NOTE		
*	*	*			
*	*	*			
*	*	*			
*	*	*			



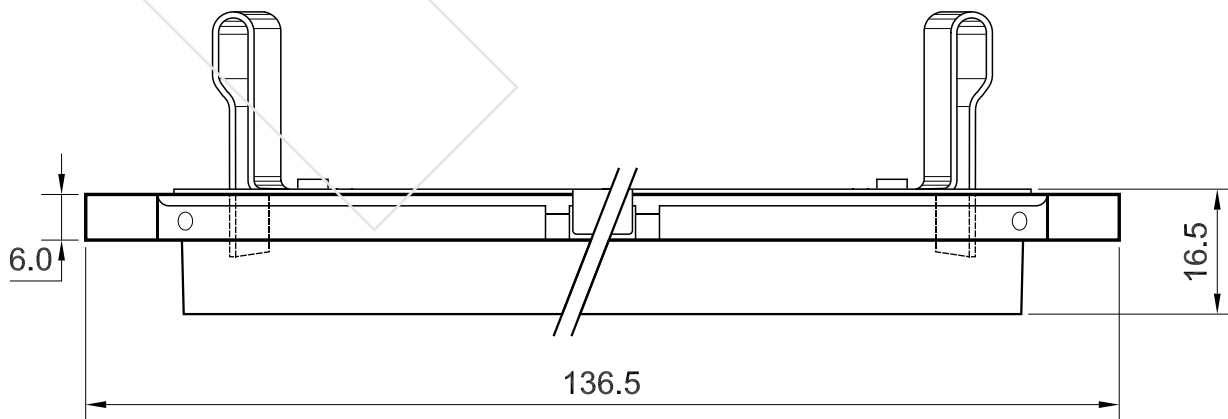
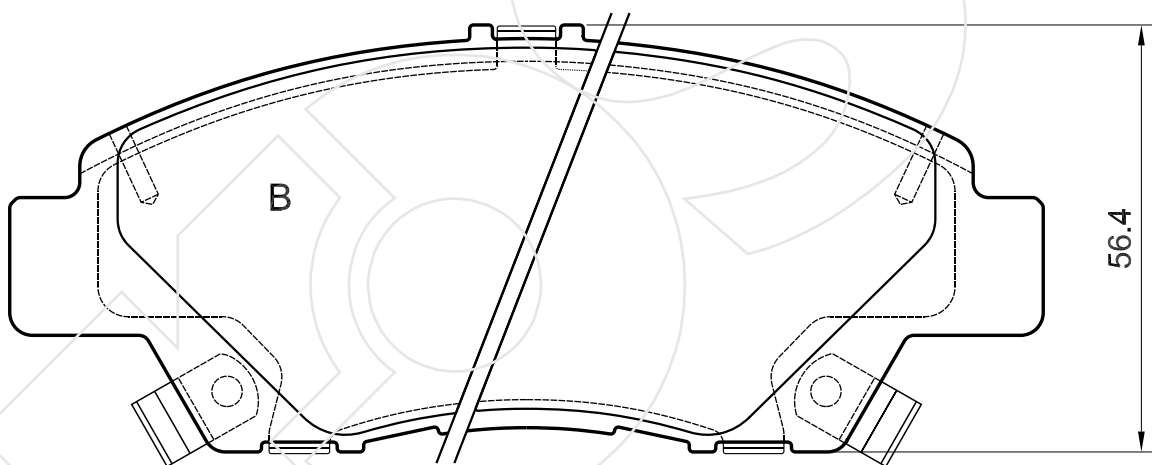
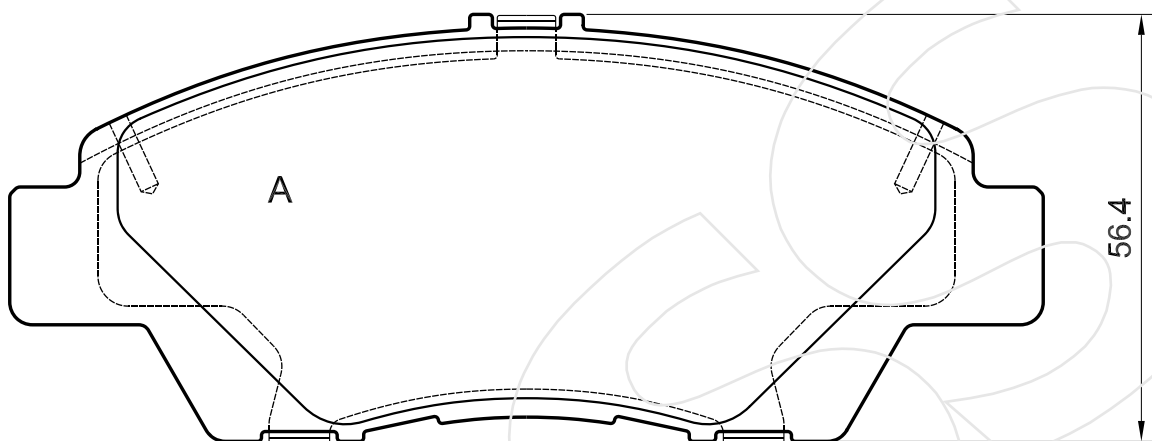
Reference in this Catalogue to other manufactures and to part numbers and other descriptions are for identification purposes only, because the above DISC BRAKE PADS are NOT ORIGINAL but with these interchangeable.

CODICE	IMPIANTO		ASSE	SCALA	APPLICAZIONI
<b>R-1445</b>	ATE		ANTERIORE	1:1	LANCIA
CODICE COMPONENTI	N°	L(mm)	SERIE		
A0000+M0000	2+2	*	2 PEZZI TIPO A		
A0000+M0000	2+2	*	2 PEZZI TIPO B		
*	*	*	*		
*	*	*	*		
CODICE ACCESSORI	N°	L(mm)	NOTE		
*	*	*			
*	*	*			
*	*	*			
*	*	*			



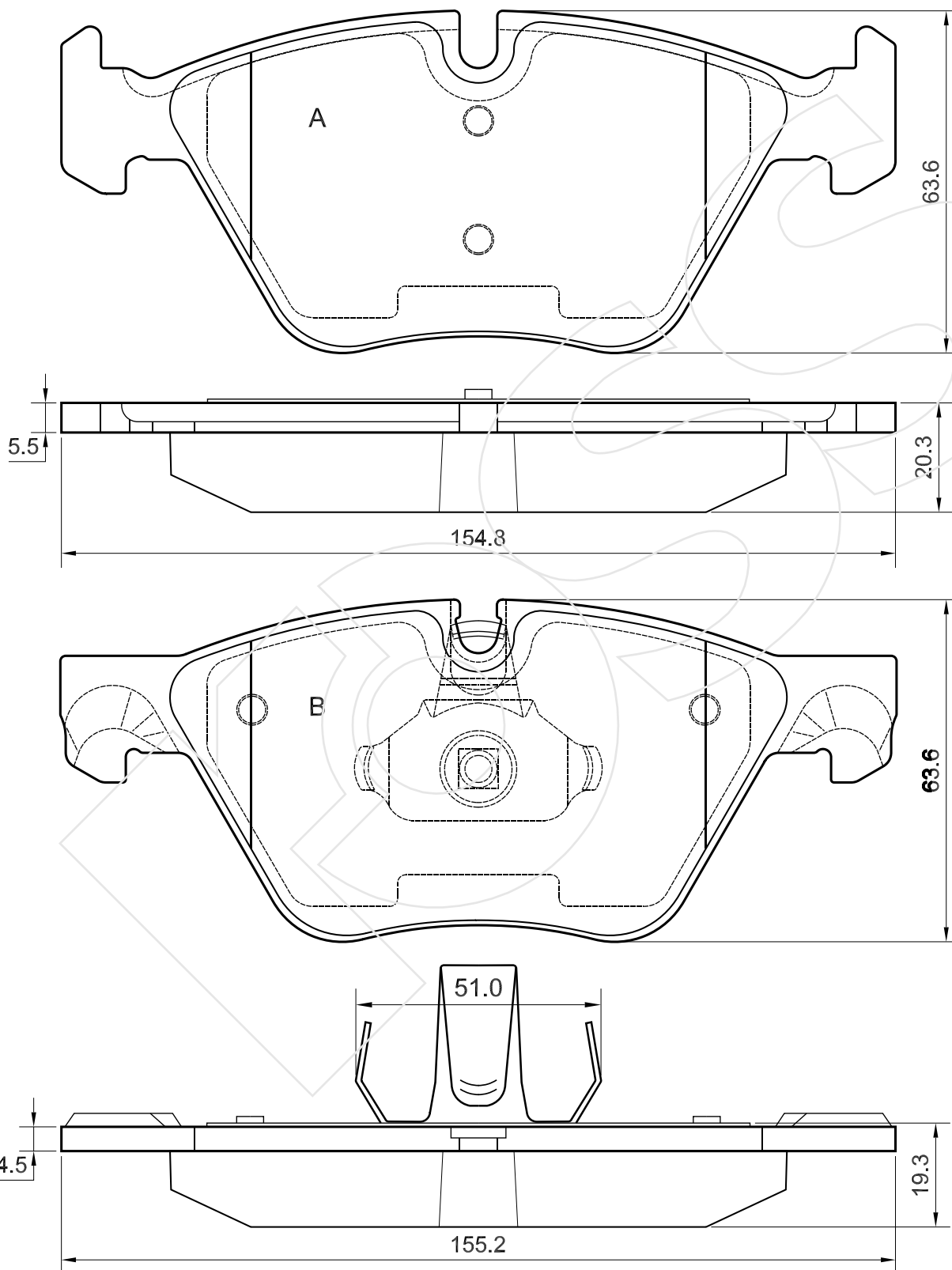
Reference in this Catalogue to other manufactures and to part numbers and other descriptions are for identification purposes only, because the above DISC BRAKE PADS are NOT ORIGINAL but with these interchangeable.

CODICE	IMPIANTO		ASSE	SCALA	APPLICAZIONI
<b>R-1446</b>	AKEBONO		ANTERIORE	1:1	HONDA
CODICE COMPONENTI	N°	L(mm)	SERIE		
A0000	2	*	2 PEZZI TIPO A		
A0000+M0000	2+2	*	2 PEZZI TIPO B		
*	*	*	*		
*	*	*	*		
CODICE ACCESSORI	N°	L(mm)	NOTE		
*	*	*			
*	*	*			
*	*	*			
*	*	*			



Reference in this Catalogue to other manufactures and to part numbers and other descriptions are for identification purposes only, because the above DISC BRAKE PADS are NOT ORIGINAL but with these interchangeable.

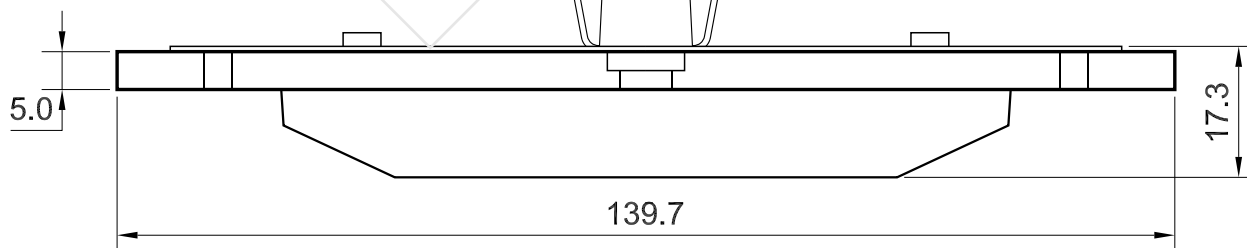
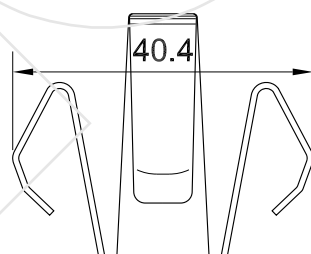
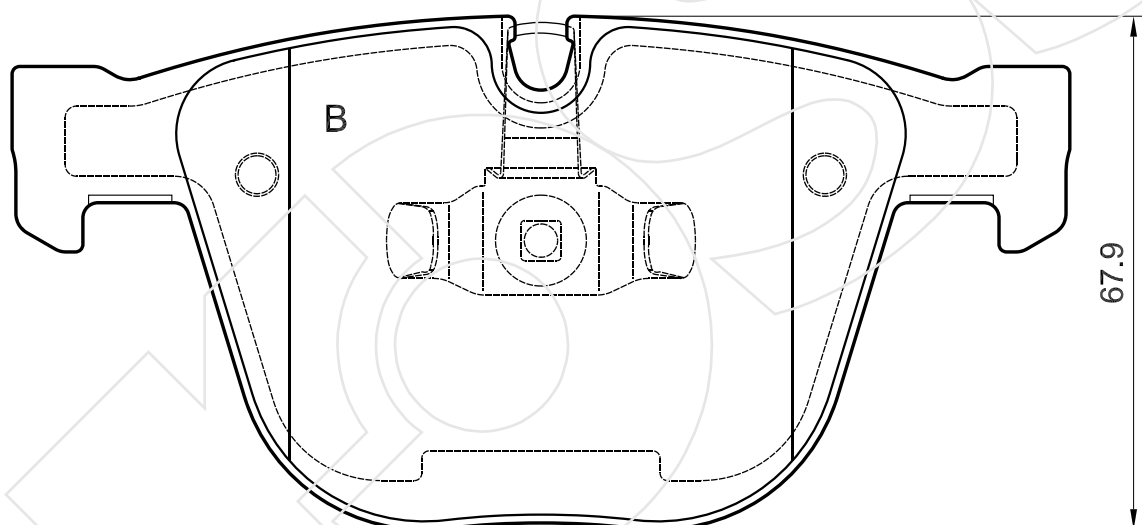
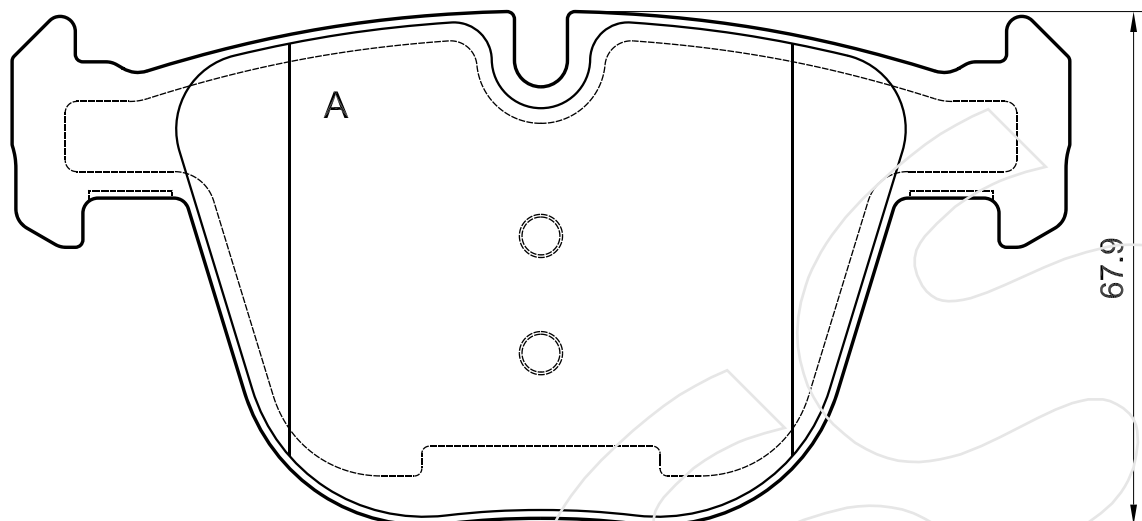
CODICE	IMPIANTO		ASSE	SCALA	APPLICAZIONI
<b>R-1447</b>	ATE		ANTERIORE	90%	BMW
CODICE COMPONENTI	N°	L(mm)	SERIE		
A0000	2	*	2 PEZZI TIPO A		
A0000+M0000	2+2	*	2 PEZZI TIPO B		
*	*	*	*		
*	*	*	*		
CODICE ACCESSORI	N°	L(mm)	NOTE		
*	*	*			
*	*	*			
*	*	*			
*	*	*			



Reference in this Catalogue to other manufactures and to part numbers and other descriptions are for identification purposes only, because the above DISC BRAKE PADS are NOT ORIGINAL but with these interchangeable.

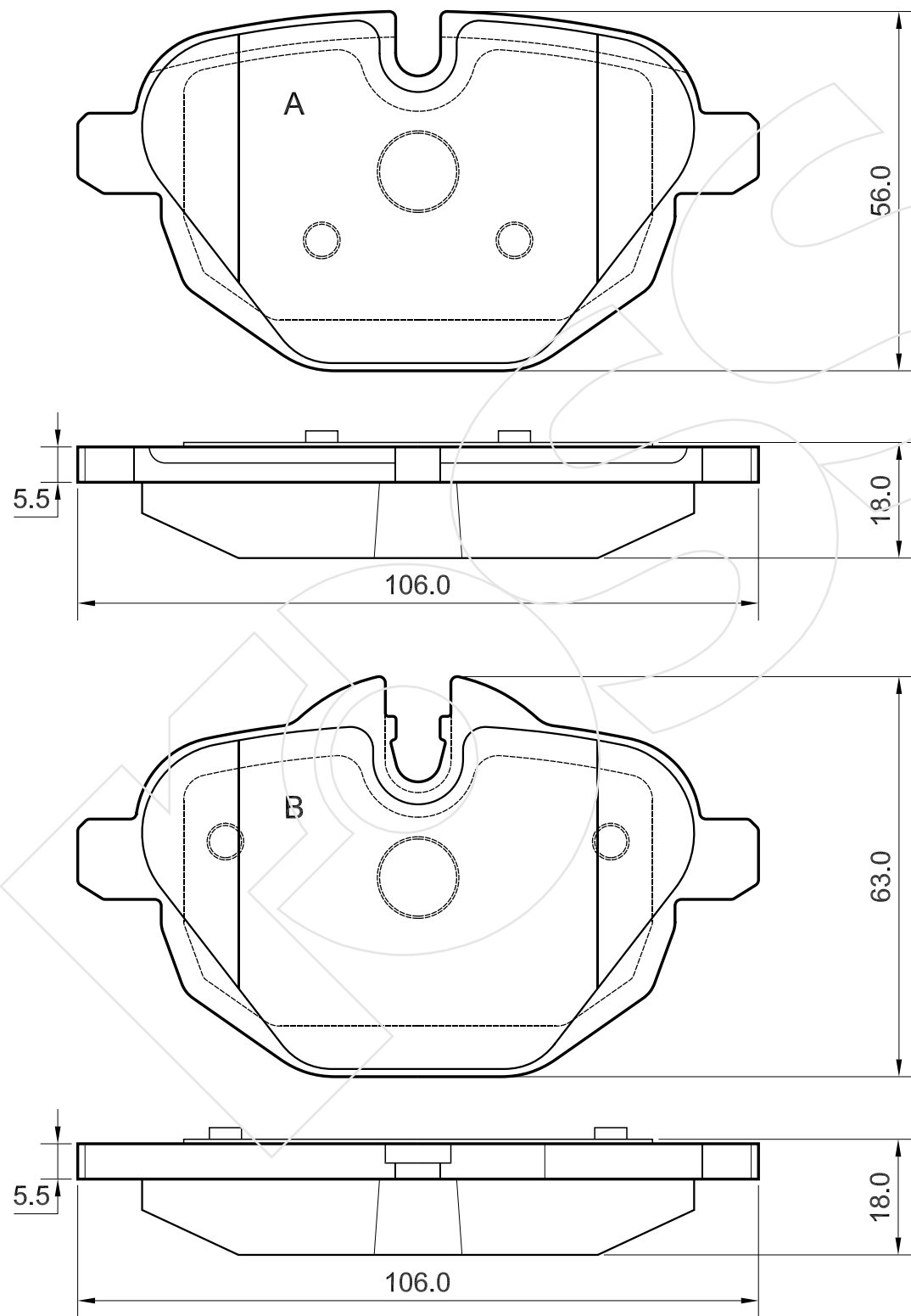


CODICE	IMPIANTO		ASSE	SCALA	APPLICAZIONI
<b>R-1448</b>	ATE		POSTERIORE	1:1	BMW
CODICE COMPONENTI	N°	L(mm)	SERIE		
A0000	2	*	2 PEZZI TIPO A		
A0000+M0000	2+2	*	2 PEZZI TIPO B		
*	*	*	*		
*	*	*	*		
CODICE ACCESSORI	N°	L(mm)	NOTE		
*	*	*			
*	*	*			
*	*	*			
*	*	*			



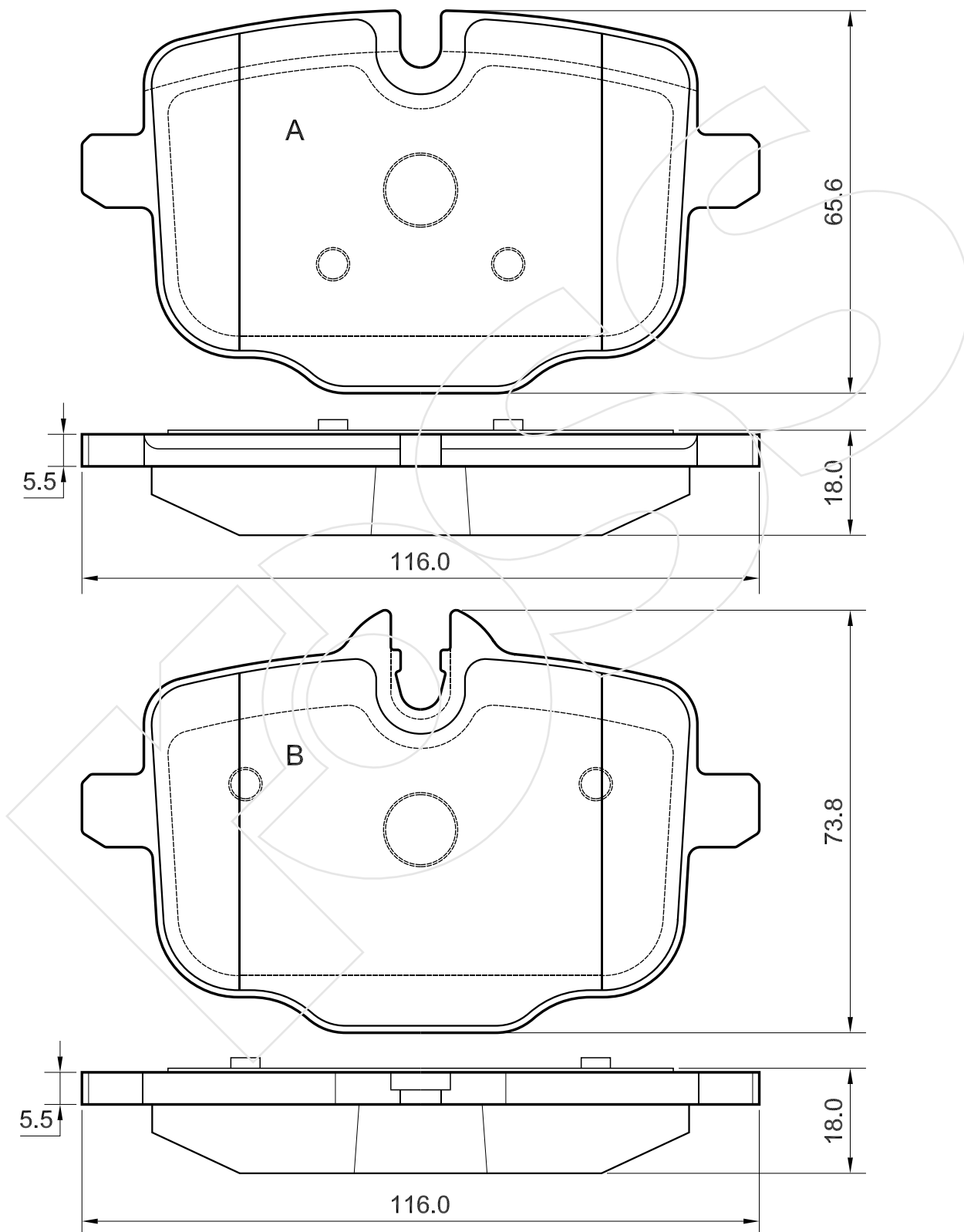
Reference in this Catalogue to other manufactures and to part numbers and other descriptions are for identification purposes only, because the above DISC BRAKE PADS are NOT ORIGINAL but with these interchangeable.

CODICE	IMPIANTO		ASSE	SCALA	APPLICAZIONI
<b>R-1449</b>	TRW		POSTERIORE	1:1	BMW
CODICE COMPONENTI	N°	L(mm)	SERIE		
A0000	2	*	2 PEZZI TIPO A		
A0000	2	*	2 PEZZI TIPO B		
*	*	*	*		
*	*	*	*		
CODICE ACCESSORI	N°	L(mm)	NOTE		
*	*	*			
*	*	*			
*	*	*			
*	*	*			



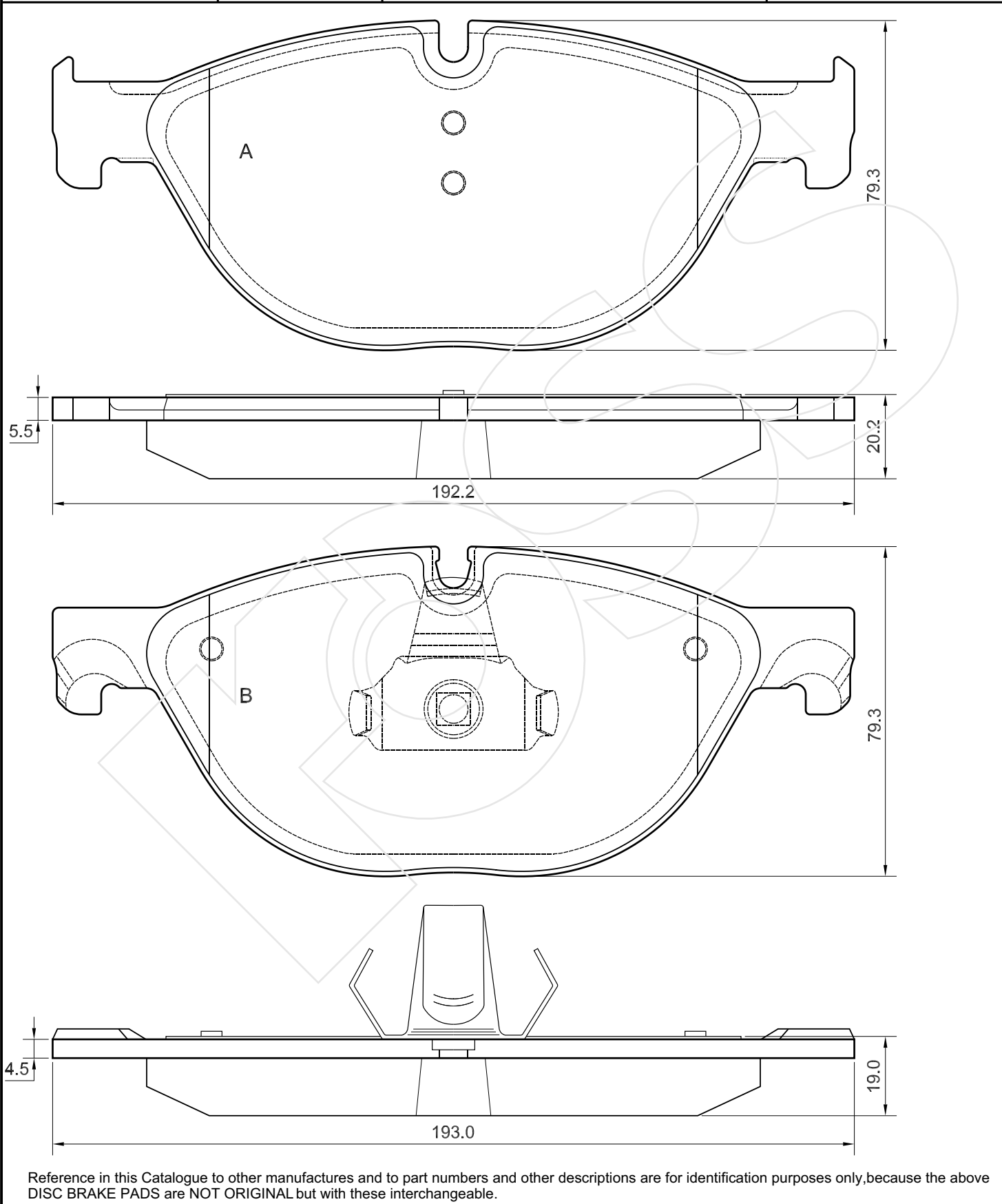
Reference in this Catalogue to other manufactures and to part numbers and other descriptions are for identification purposes only, because the above DISC BRAKE PADS are NOT ORIGINAL but with these interchangeable.

CODICE	IMPIANTO		ASSE	SCALA	APPLICAZIONI
<b>R-1450</b>	TRW		POSTERIORE	1:1	BMW
CODICE COMPONENTI	N°	L(mm)	SERIE		
A0000	2	*	2 PEZZI TIPO A		
A0000	2	*	2 PEZZI TIPO B		
*	*	*	*		
*	*	*	*		
CODICE ACCESSORI	N°	L(mm)	NOTE		
*	*	*			
*	*	*			
*	*	*			
*	*	*			



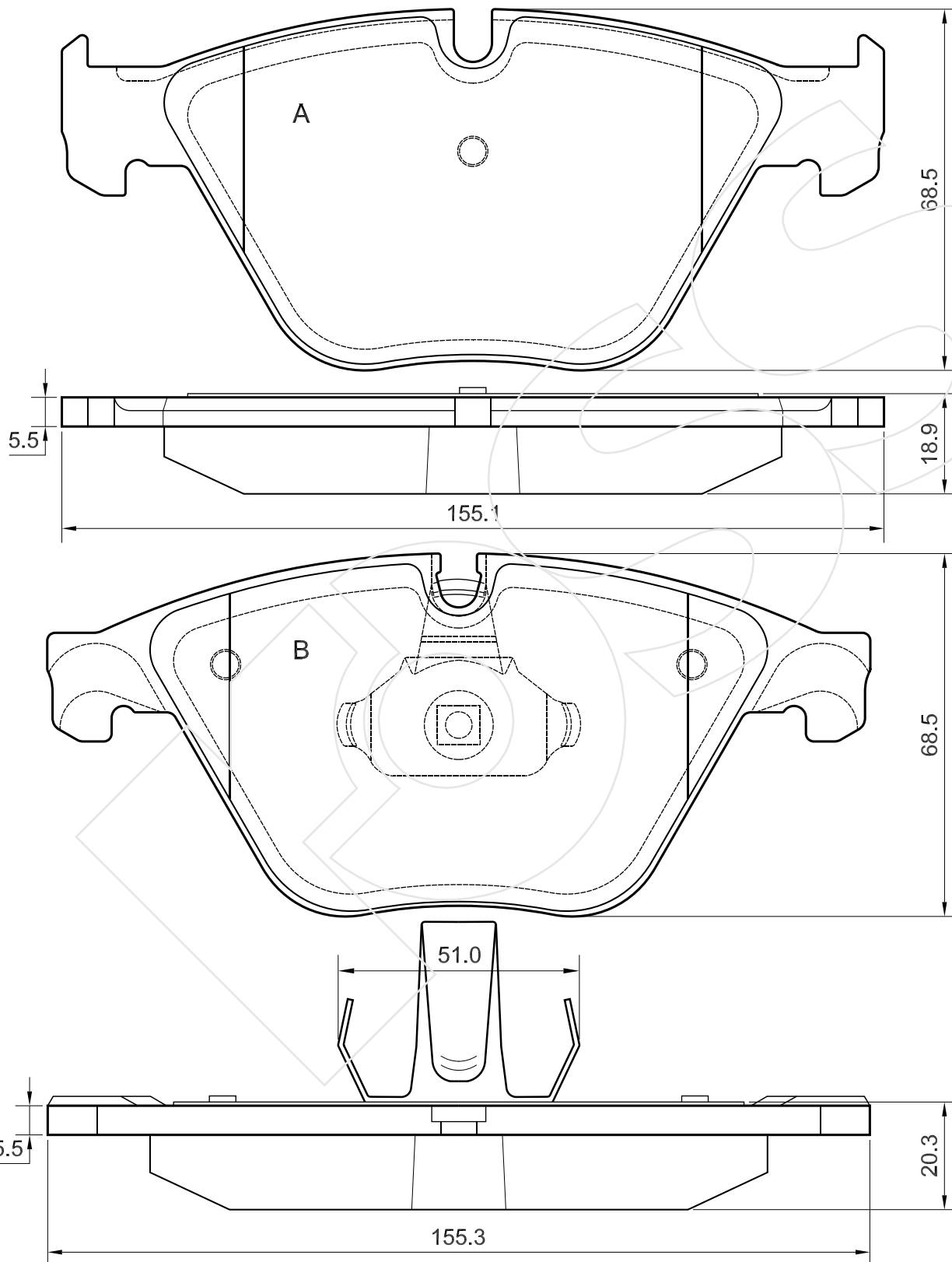
Reference in this Catalogue to other manufactures and to part numbers and other descriptions are for identification purposes only, because the above DISC BRAKE PADS are NOT ORIGINAL but with these interchangeable.

CODICE	IMPIANTO	ASSE	SCALA	APPLICAZIONI
<b>R-1451</b>	ATE	ANTERIORE	80%	BMW
CODICE COMPONENTI	N°	L(mm)	SERIE	
A0000	2	*	2 PEZZI TIPO A	
A0000	2+2	*	2 PEZZI TIPO B	
*	*	*	*	
*	*	*	*	
CODICE ACCESSORI	N°	L(mm)	NOTE	
*	*	*		
*	*	*		
*	*	*		
*	*	*		



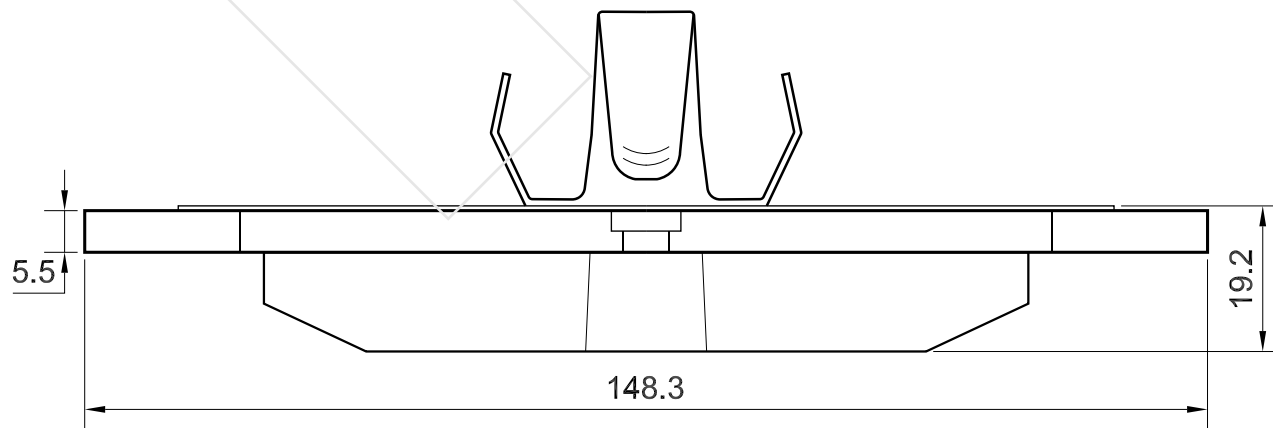
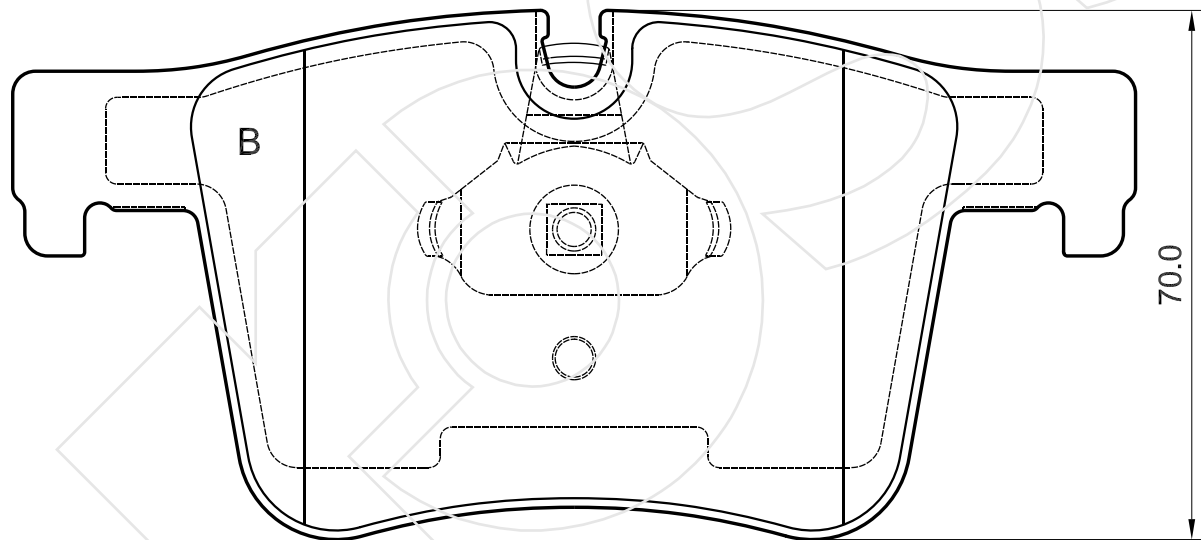
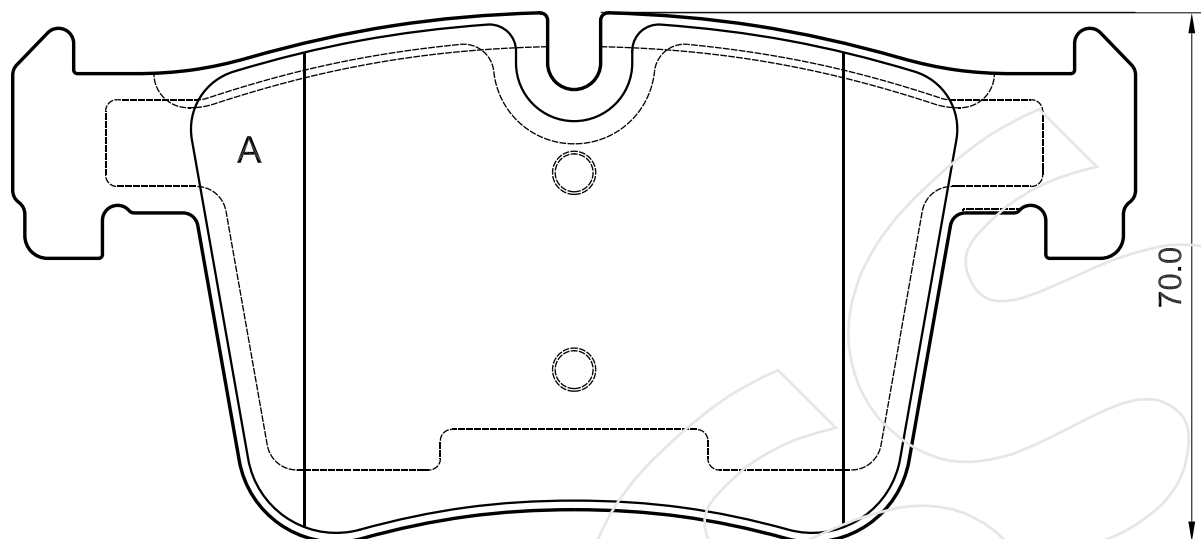
Reference in this Catalogue to other manufactures and to part numbers and other descriptions are for identification purposes only, because the above DISC BRAKE PADS are NOT ORIGINAL but with these interchangeable.

CODICE	IMPIANTO		ASSE	SCALA	APPLICAZIONI
<b>R-1452</b>	ATE		ANTERIORE	90%	BMW
CODICE COMPONENTI	N°	L(mm)	SERIE		
A0000	2	*	2 PEZZI TIPO A		
A0000+M0144	2+2	*	2 PEZZI TIPO B		
*	*	*	*		
*	*	*	*		
CODICE ACCESSORI	N°	L(mm)	NOTE		
*	*	*			
*	*	*			
*	*	*			
*	*	*			



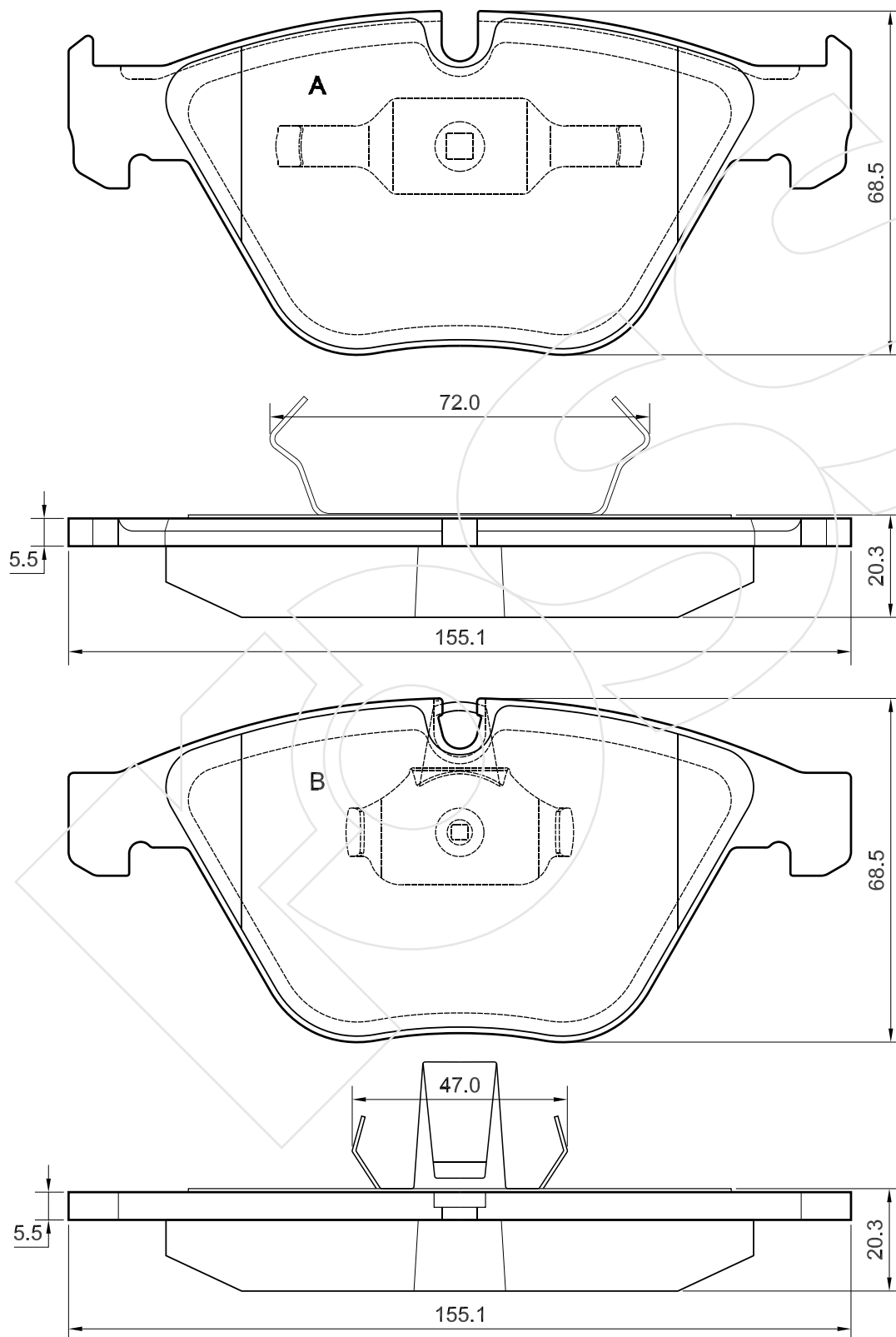
Reference in this Catalogue to other manufactures and to part numbers and other descriptions are for identification purposes only, because the above DISC BRAKE PADS are NOT ORIGINAL but with these interchangeable.

CODICE	IMPIANTO		ASSE	SCALA	APPLICAZIONI
<b>R-1453</b>	ATE		ANTERIORE	100%	BMW
CODICE COMPONENTI	N°	L(mm)	SERIE		
A0000	2	*	2 PEZZI TIPO A		
A0000+M0000	2+2	*	2 PEZZI TIPO B		
*	*	*	*		
*	*	*	*		
CODICE ACCESSORI	N°	L(mm)	NOTE		
*	*	*			
*	*	*			
*	*	*			
*	*	*			



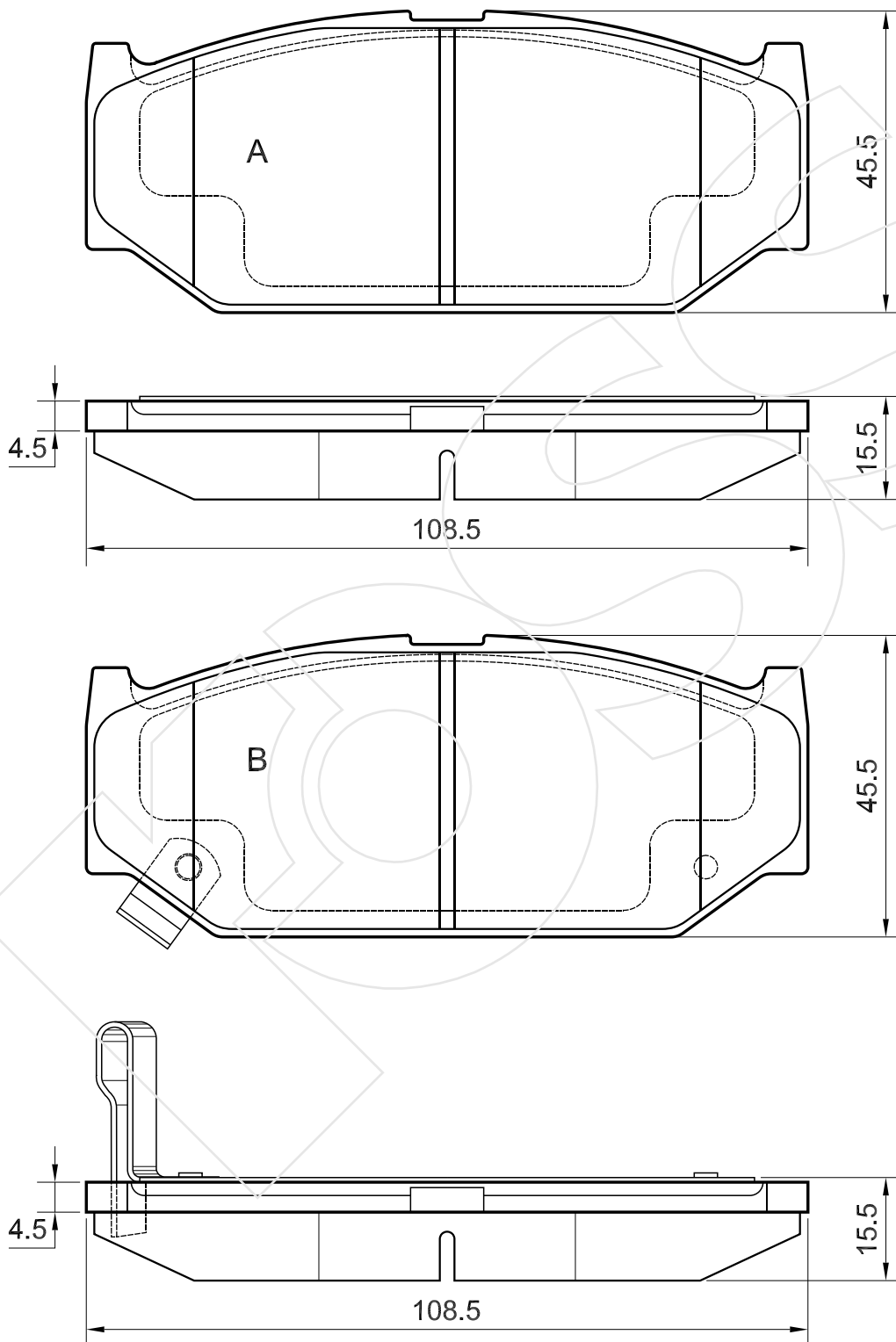
Reference in this Catalogue to other manufactures and to part numbers and other descriptions are for identification purposes only, because the above DISC BRAKE PADS are NOT ORIGINAL but with these interchangeable.

CODICE	IMPIANTO		ASSE	SCALA	APPLICAZIONI
<b>R-1454</b>	ATE		ANTERIORE	80%	BMW
CODICE COMPONENTI	N°	L(mm)	SERIE		
A0295+M0268	2+2	*	2 PEZZI TIPO A		
A0295+M0132	2+2	*	2 PEZZI TIPO B		
*	*	*	*		
*	*	*	*		
CODICE ACCESSORI	N°	L(mm)	NOTE		
*	*	*			
*	*	*			
*	*	*			
*	*	*			



Reference in this Catalogue to other manufactures and to part numbers and other descriptions are for identification purposes only, because the above DISC BRAKE PADS are NOT ORIGINAL but with these interchangeable.

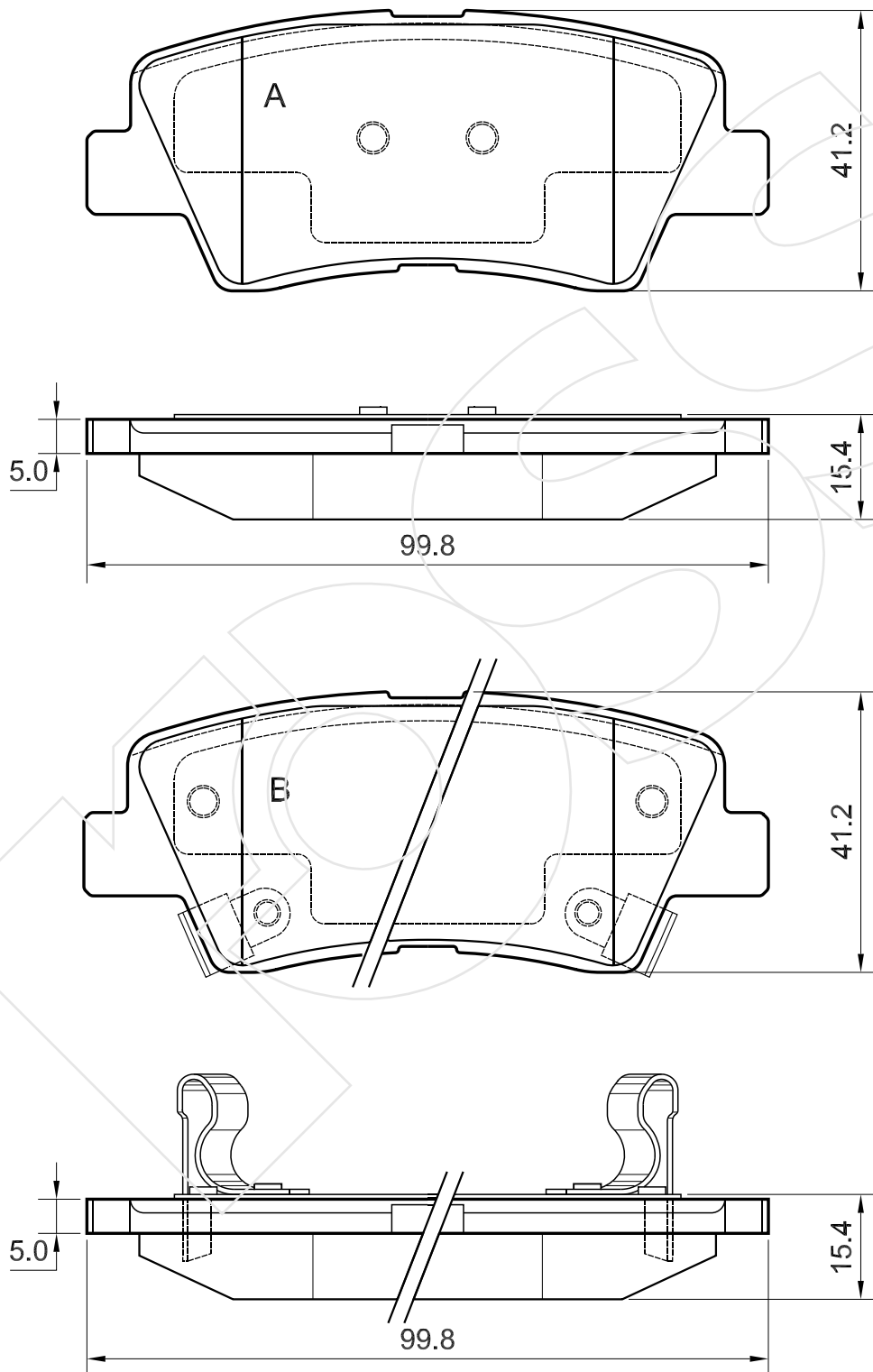
CODICE	IMPIANTO	ASSE	SCALA	APPLICAZIONI
<b>R-1455</b>	AKEBONO	ANTERIORE	100%	SUZUKI
CODICE COMPONENTI	N°	L(mm)	SERIE	
A0000	3	*	3 PEZZI TIPO A	
A0000+M0000	1+1	*	1 PEZZO TIPO B	
*	*	*	*	
*	*	*	*	
CODICE ACCESSORI	N°	L(mm)	NOTE	
*	*	*		
*	*	*		
*	*	*		
*	*	*		



Reference in this Catalogue to other manufactures and to part numbers and other descriptions are for identification purposes only, because the above DISC BRAKE PADS are NOT ORIGINAL but with these interchangeable.

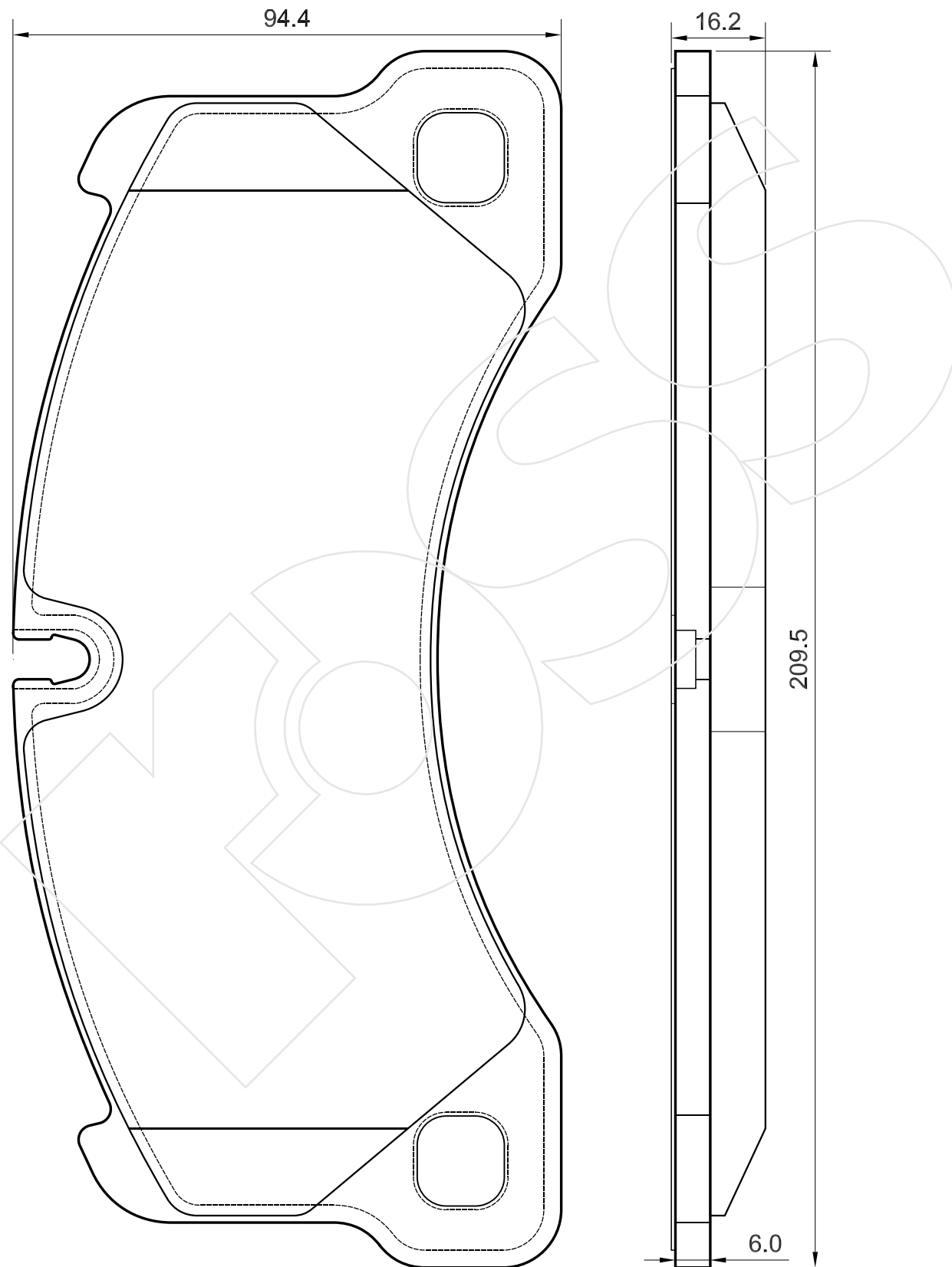


CODICE	IMPIANTO		ASSE	SCALA	APPLICAZIONI
<b>R-1456</b>	AKEBONO		POSTERIORE	100%	HYUNDAI KIA SSANGYONG
CODICE COMPONENTI	N°	L(mm)	SERIE		
A0000	2	*	2 PEZZI TIPO A		
A0000+M0000	2+2	*	2 PEZZI TIPO B		
*	*	*	*		
*	*	*	*		
CODICE ACCESSORI	N°	L(mm)	NOTE		
*	*	*			
*	*	*			
*	*	*			
*	*	*			



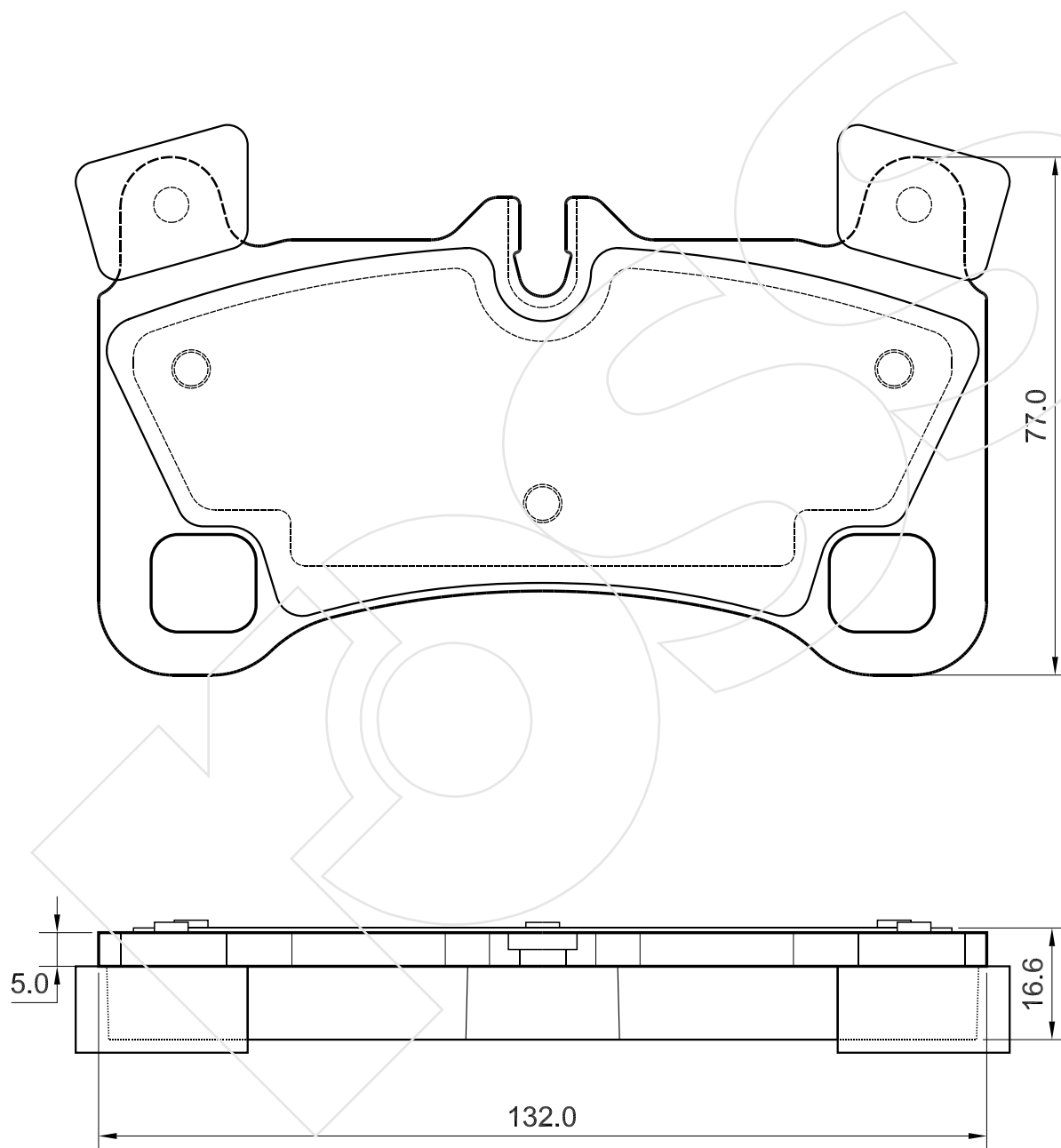
Reference in this Catalogue to other manufactures and to part numbers and other descriptions are for identification purposes only, because the above DISC BRAKE PADS are NOT ORIGINAL but with these interchangeable.

CODICE	IMPIANTO		ASSE	SCALA	APPLICAZIONI
<b>R-1457</b>	BREMBO		ANTERIORE	1:1	PORSCHE
CODICE COMPONENTI	N°	L(mm)	SERIE		VOLKSWAGEN
A0000	4	*	4 PEZZI		
*	*	*	*		
*	*	*	*		
CODICE ACCESSORI	N°	L(mm)	NOTE		
*	*	*			
*	*	*			
*	*	*			
*	*	*			



Reference in this Catalogue to other manufactures and to part numbers and other descriptions are for identification purposes only, because the above DISC BRAKE PADS are NOT ORIGINAL but with these interchangeable.

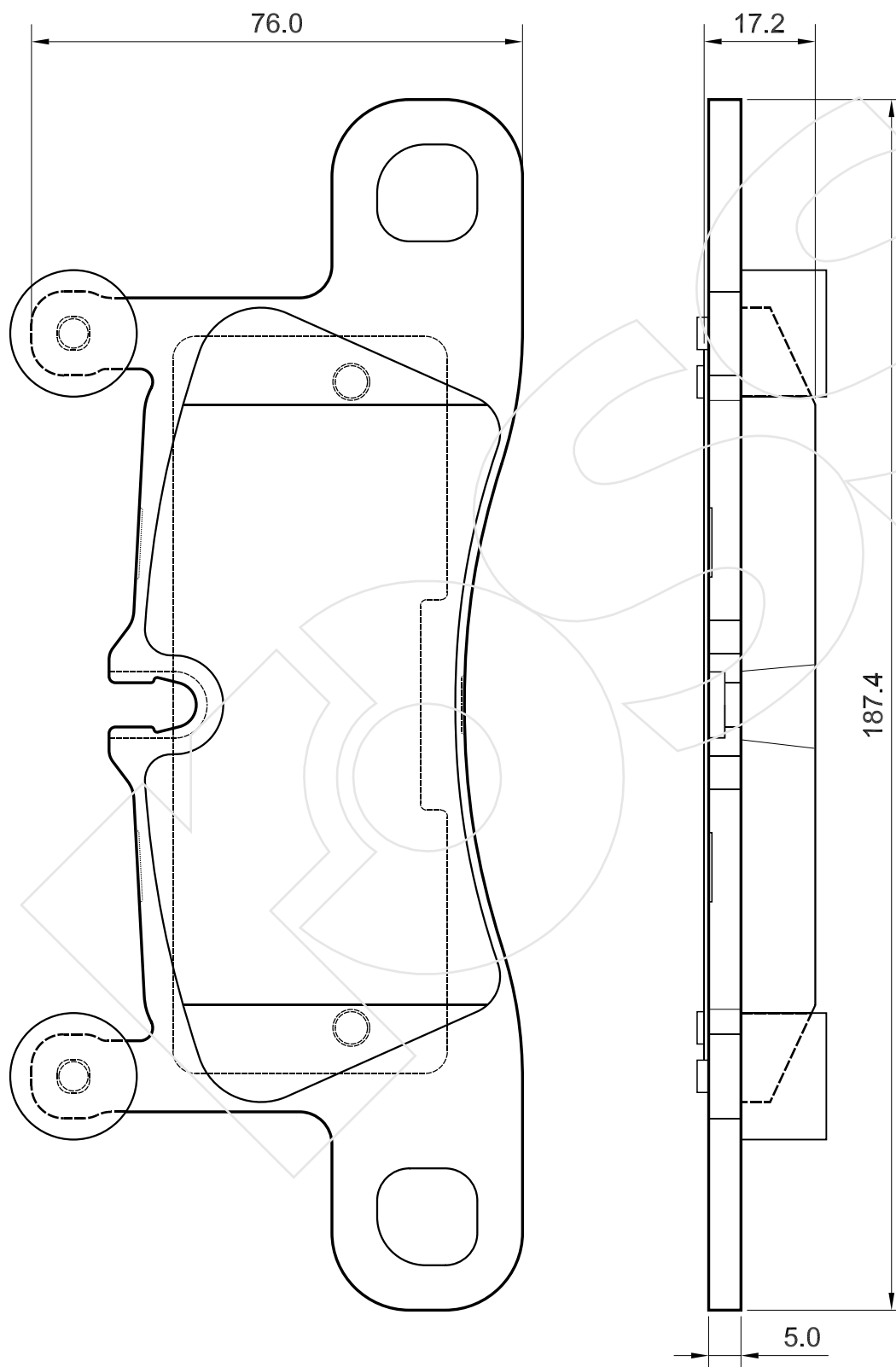
CODICE	IMPIANTO		ASSE	SCALA	APPLICAZIONI
<b>R-1458</b>	BREMBO		POSTERIORE	100%	AUDI
CODICE COMPONENTI	N°	L(mm)	SERIE		PORSCHÉ VOLKSWAGEN
A0000+M0000	4+8	*	4 PEZZI		
*	*	*	*		
*	*	*	*		
CODICE ACCESSORI	N°	L(mm)	NOTE		
*	*	*			
*	*	*			
*	*	*			
*	*	*			



Reference in this Catalogue to other manufactures and to part numbers and other descriptions are for identification purposes only, because the above DISC BRAKE PADS are NOT ORIGINAL but with these interchangeable.

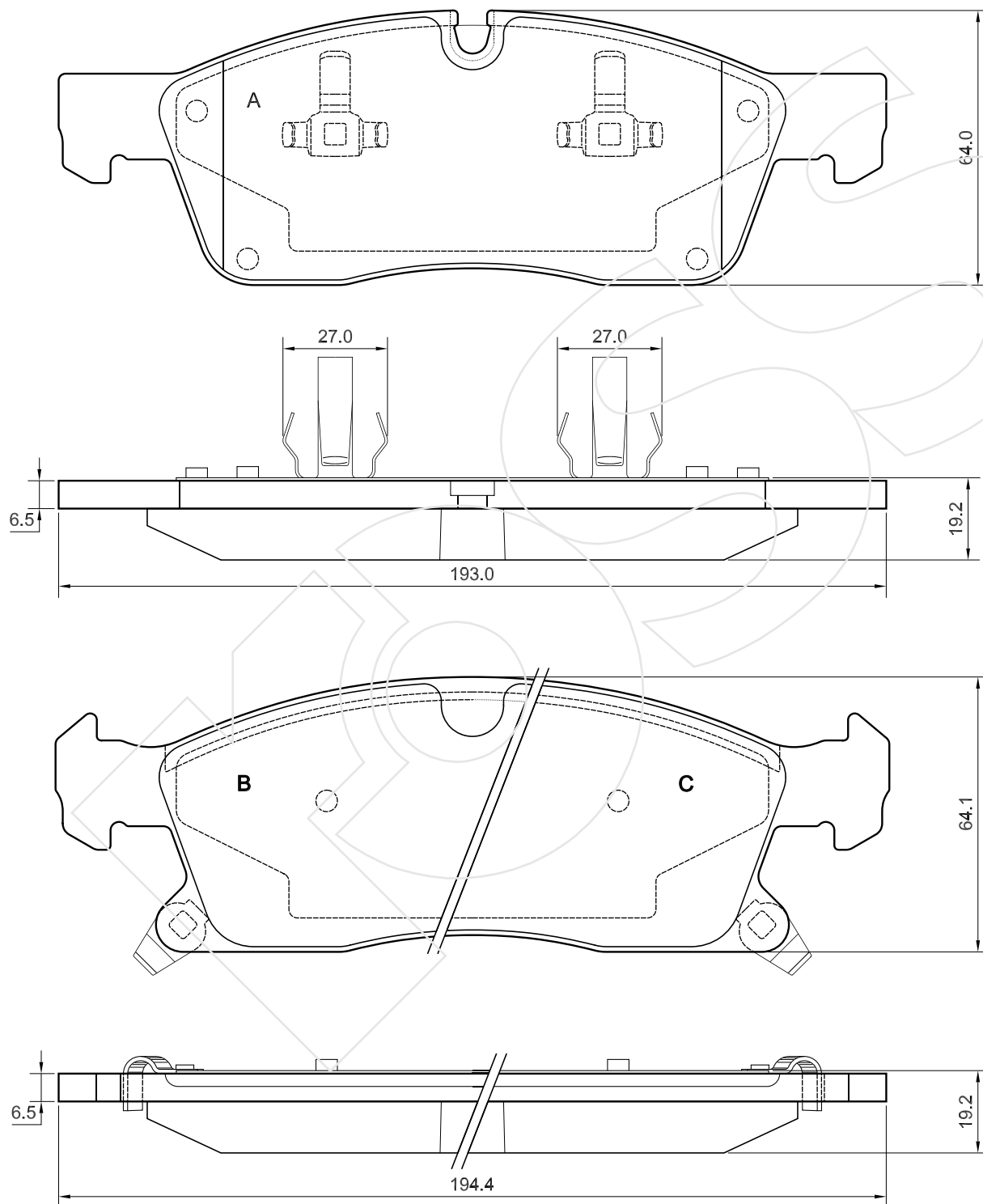
CODICE	IMPIANTO		ASSE	SCALA	APPLICAZIONI
<b>R-1459</b>	BREMBO		POSTERIORE	100%	PORSCHE
CODICE COMPONENTI	N°	L(mm)	SERIE		
A0000+M0000	4+8	*	4 PEZZI		
*	*	*	*		
*	*	*	*		
*	*	*	*		
CODICE ACCESSORI	N°	L(mm)	NOTE		
*	*	*			
*	*	*			
*	*	*			
*	*	*			
*	*	*			

VOLKSWAGEN



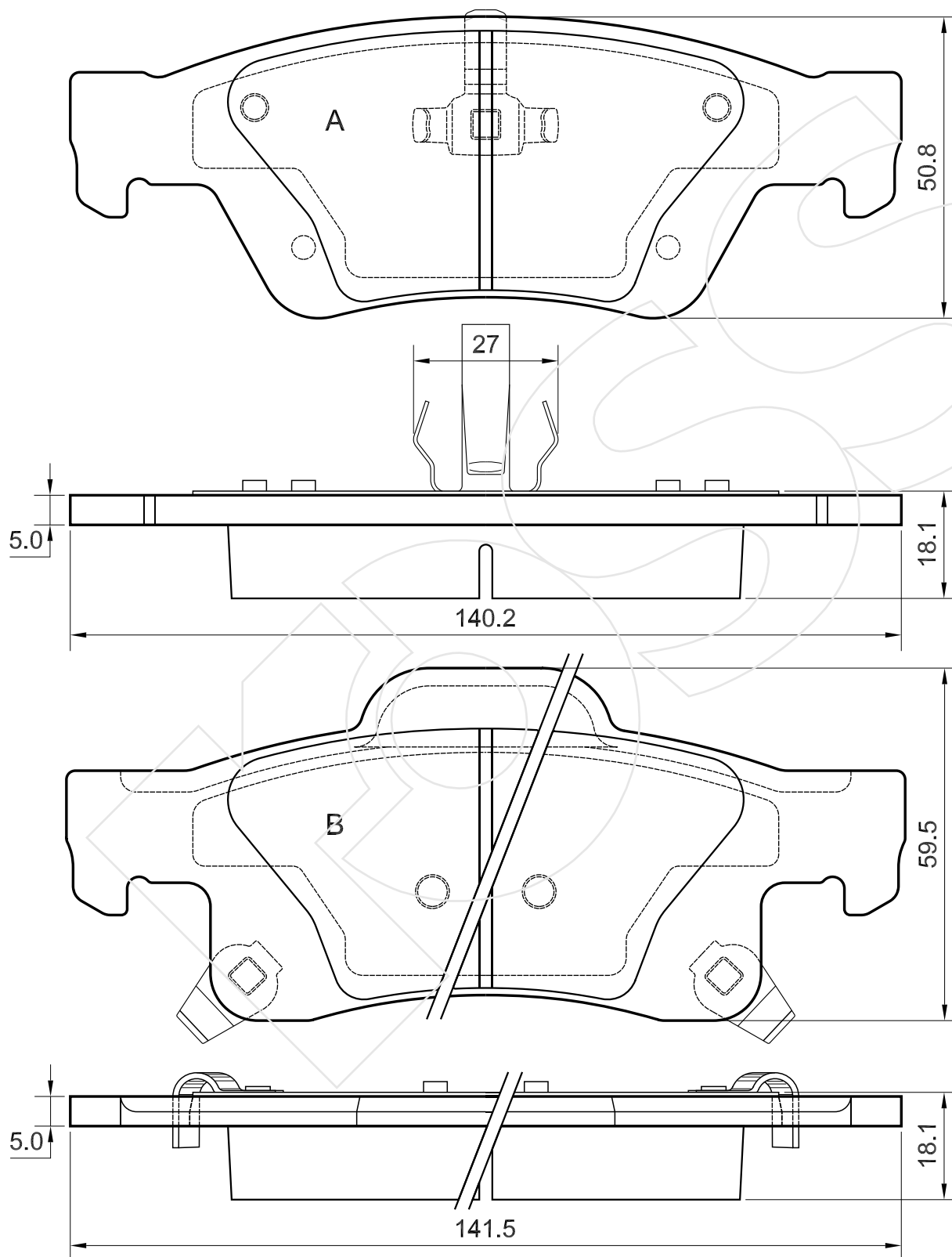
Reference in this Catalogue to other manufactures and to part numbers and other descriptions are for identification purposes only, because the above DISC BRAKE PADS are NOT ORIGINAL but with these interchangeable.

CODICE	IMPIANTO		ASSE	SCALA	APPLICAZIONI
<b>R-1460</b>	ATE		ANTERIORE	70%	JEEP
CODICE COMPONENTI	N°	L(mm)	SERIE		
A0000+M0000	2+4	*	2 PEZZI TIPO A		
A0000+M0000	1+1	*	1 PEZZO TIPO B		
A0000+M0000	1+1	*	1 PEZZO TIPO C		
*	*	*	*		
CODICE ACCESSORI	N°	L(mm)	NOTE		
*	*	*			
*	*	*			
*	*	*			
*	*	*			



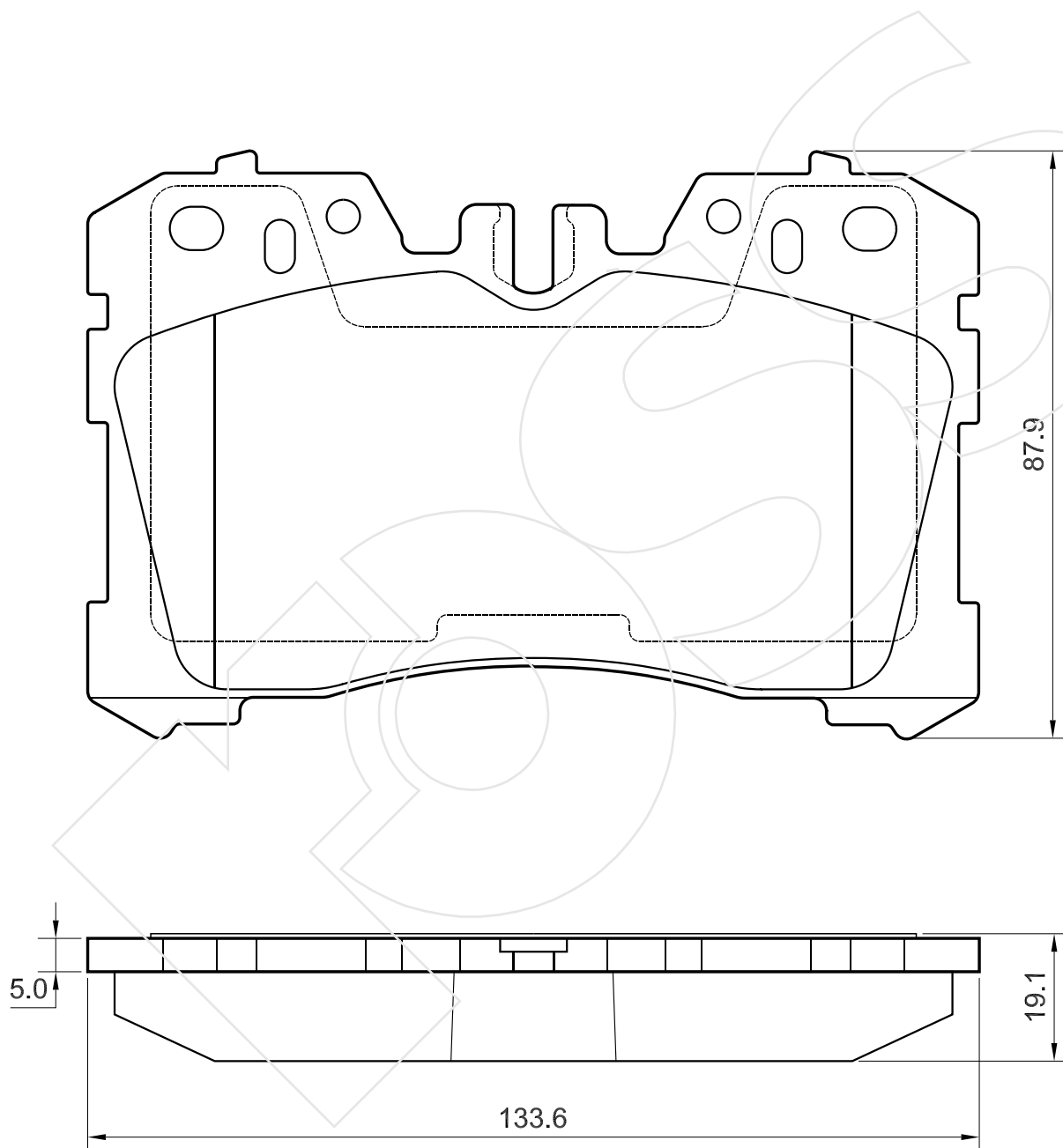
Reference in this Catalogue to other manufactures and to part numbers and other descriptions are for identification purposes only, because the above DISC BRAKE PADS are NOT ORIGINAL but with these interchangeable.

CODICE	IMPIANTO		ASSE	SCALA	APPLICAZIONI
<b>R-1461</b>	ATE		POSTERIORE	100%	JEEP
CODICE COMPONENTI	N°	L(mm)	SERIE		
A0000+M0000	2+2	*	2 PEZZI TIPO A		
A0000+M0000	2+2	*	2 PEZZI TIPO B		
*	*	*	*		
*	*	*	*		
CODICE ACCESSORI	N°	L(mm)	NOTE		
*	*	*			
*	*	*			
*	*	*			
*	*	*			



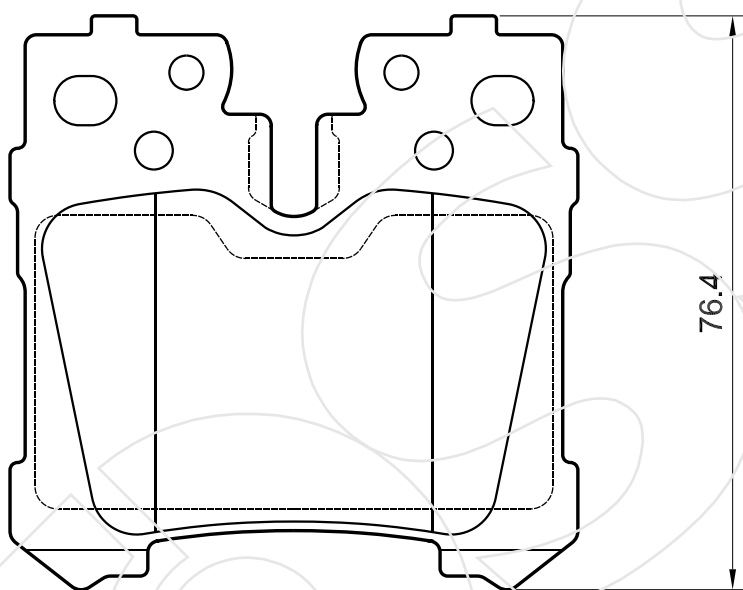
Reference in this Catalogue to other manufactures and to part numbers and other descriptions are for identification purposes only, because the above DISC BRAKE PADS are NOT ORIGINAL but with these interchangeable.

CODICE	IMPIANTO		ASSE	SCALA	APPLICAZIONI
<b>R-1462</b>	ADV		ANTERIORE	100%	LEXUS
CODICE COMPONENTI	N°	L(mm)	SERIE		
A0000	4	*	4 PEZZI		
*	*	*	*		
*	*	*	*		
*	*	*	*		
CODICE ACCESSORI	N°	L(mm)	NOTE		
*	*	*			
*	*	*			
*	*	*			
*	*	*			



Reference in this Catalogue to other manufactures and to part numbers and other descriptions are for identification purposes only, because the above DISC BRAKE PADS are NOT ORIGINAL but with these interchangeable.

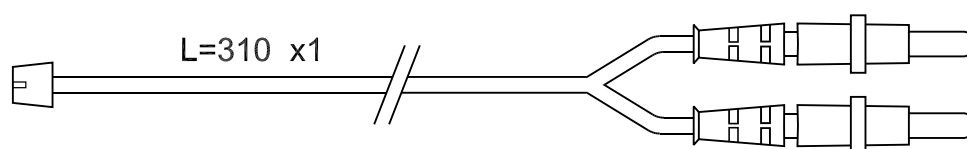
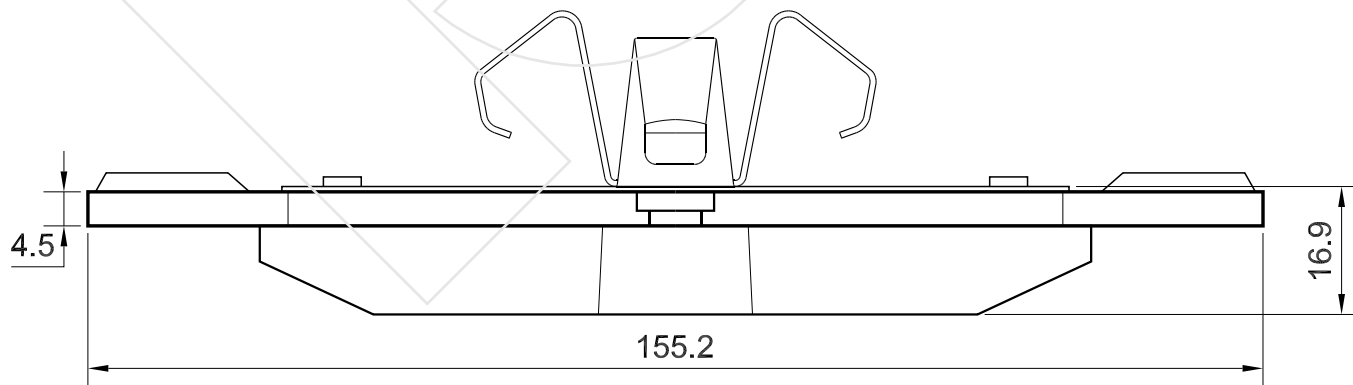
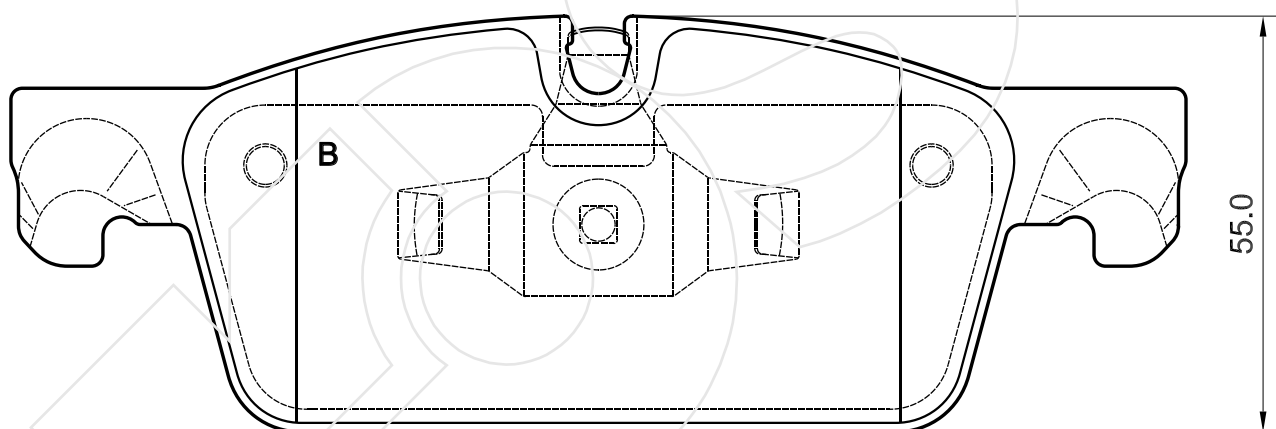
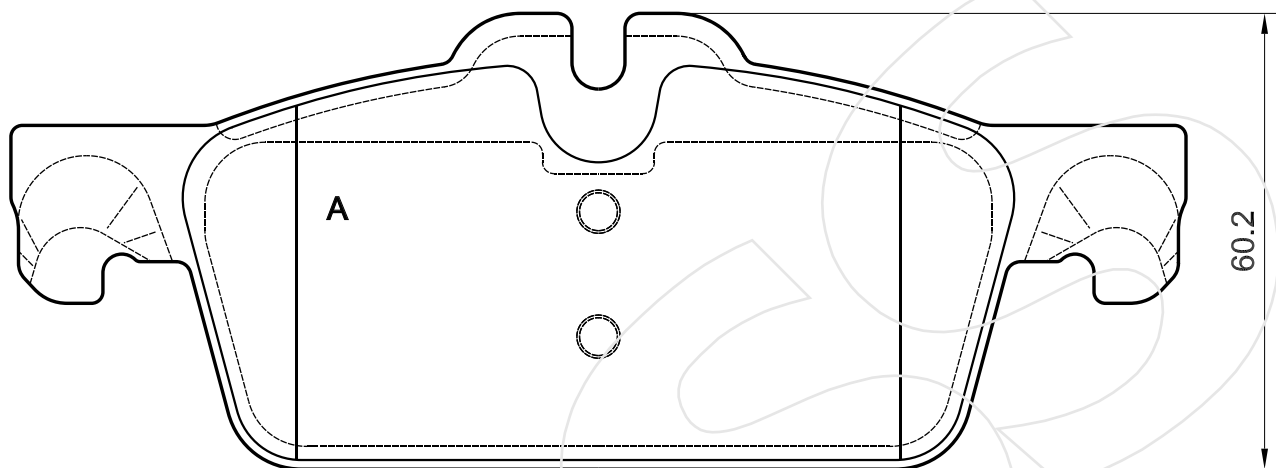
CODICE	IMPIANTO		ASSE	SCALA	APPLICAZIONI
<b>R-1463</b>	ADV		POSTERIORE	100%	LEXUS
CODICE COMPONENTI	N°	L(mm)	SERIE		
A0000	4	*	4 PEZZI		
*	*	*	*		
*	*	*	*		
*	*	*	*		
CODICE ACCESSORI	N°	L(mm)	NOTE		
*	*	*			
*	*	*			
*	*	*			
*	*	*			



Reference in this Catalogue to other manufactures and to part numbers and other descriptions are for identification purposes only, because the above DISC BRAKE PADS are NOT ORIGINAL but with these interchangeable.

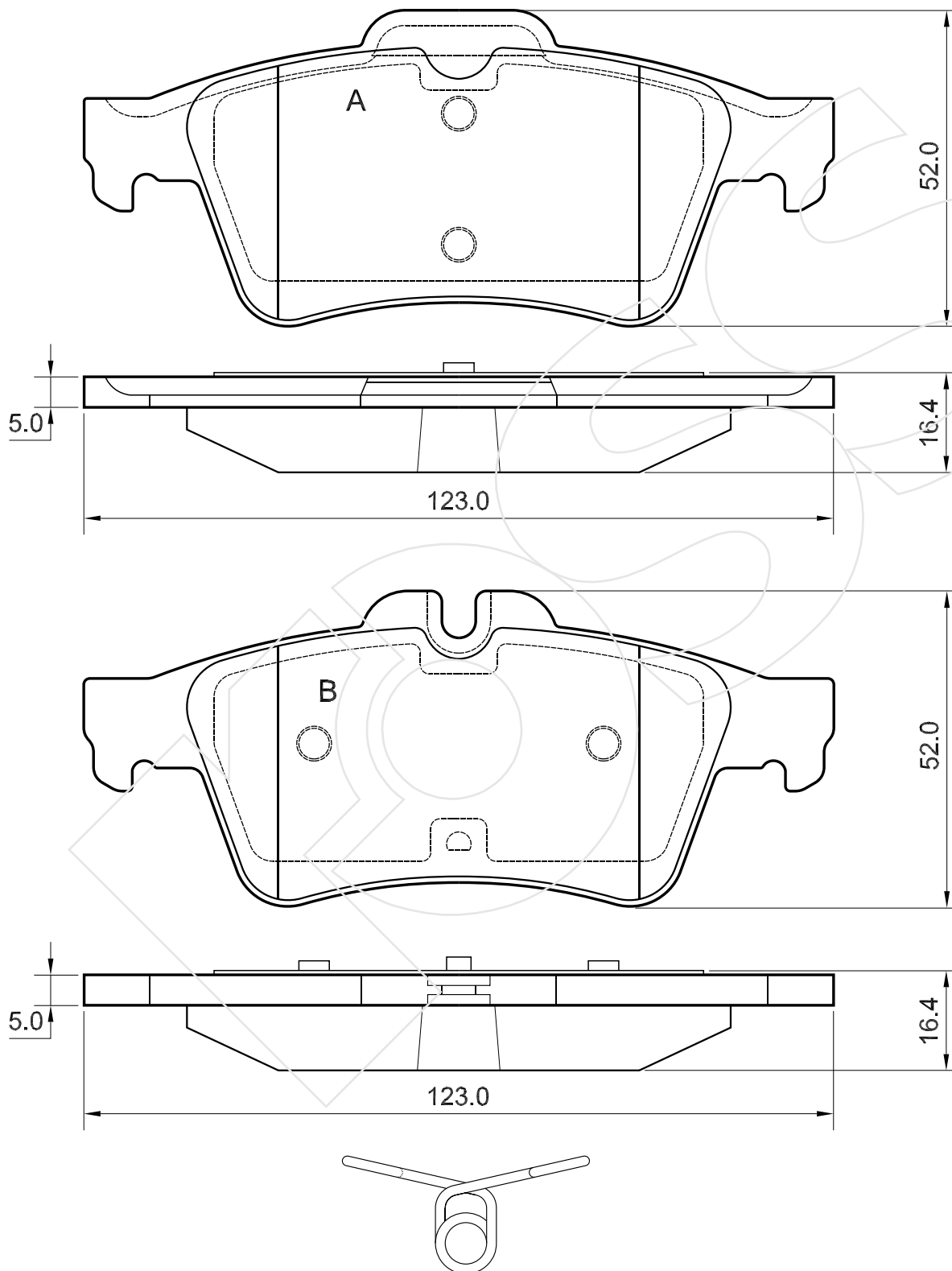


CODICE	IMPIANTO		ASSE	SCALA	APPLICAZIONI
<b>R-1464</b>	ATE		ANTERIORE	100%	PEUGEOT
CODICE COMPONENTI	N°	L(mm)	SERIE		
A0000	2	*	2 PEZZI TIPO A		
A0000+M0000+F0000	2+2+1	310	2 PEZZI TIPO B		
*	*	*	*		
*	*	*	*		
CODICE ACCESSORI	N°	L(mm)	NOTE		
*	*	*			
*	*	*			
*	*	*			
*	*	*			



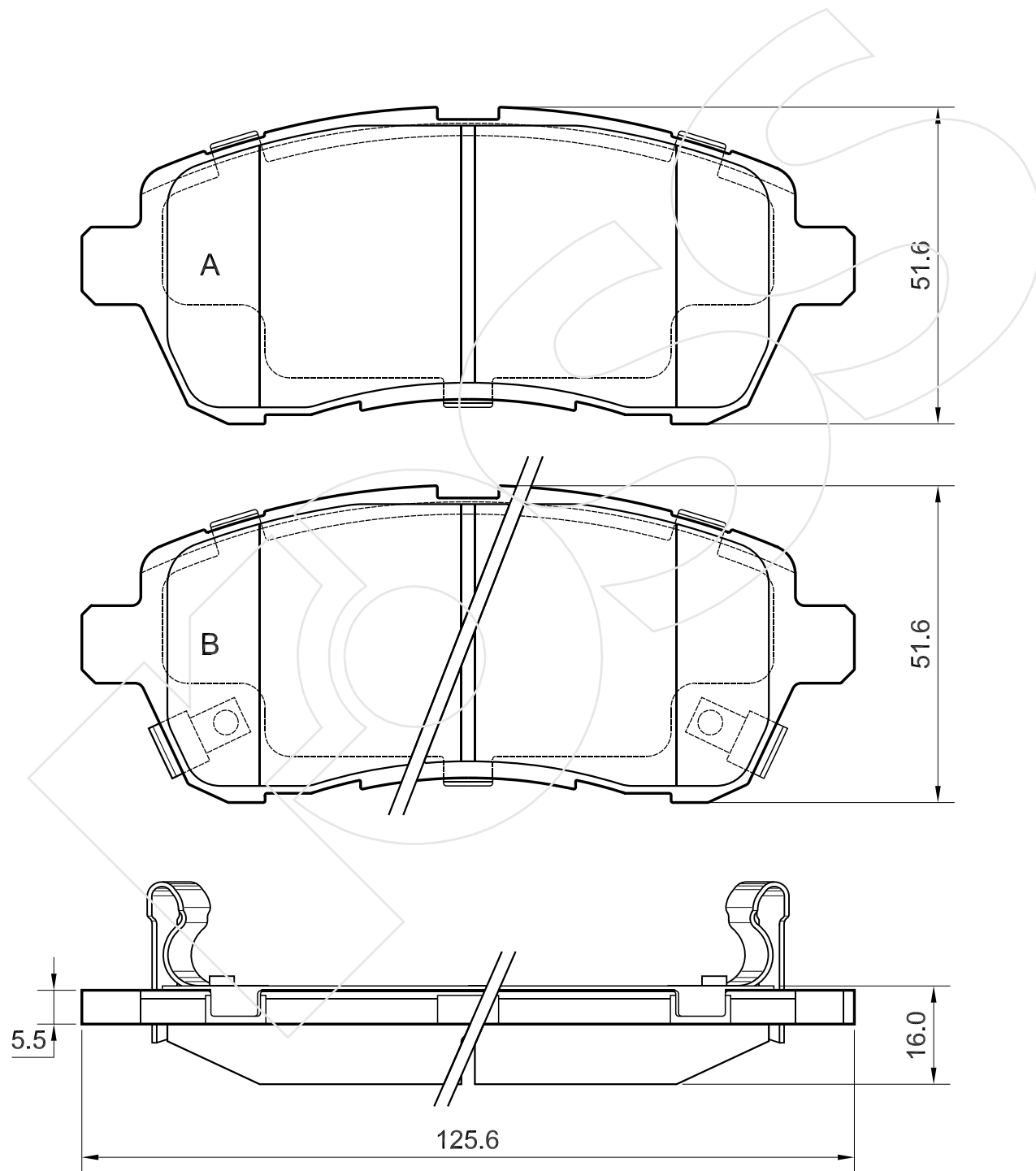
Reference in this Catalogue to other manufactures and to part numbers and other descriptions are for identification purposes only, because the above DISC BRAKE PADS are NOT ORIGINAL but with these interchangeable.

CODICE	IMPIANTO		ASSE	SCALA	APPLICAZIONI
<b>R-1465</b>	ATE		POSTERIORE	100%	PEUGEOT
CODICE COMPONENTI	N°	L(mm)	SERIE		
A0000	2	*	2 PEZZI TIPO A		
A0000+M0000	2+2	*	2 PEZZI TIPO B		
*	*	*	*		
*	*	*	*		
CODICE ACCESSORI	N°	L(mm)	NOTE		
*	*	*			
*	*	*			
*	*	*			
*	*	*			



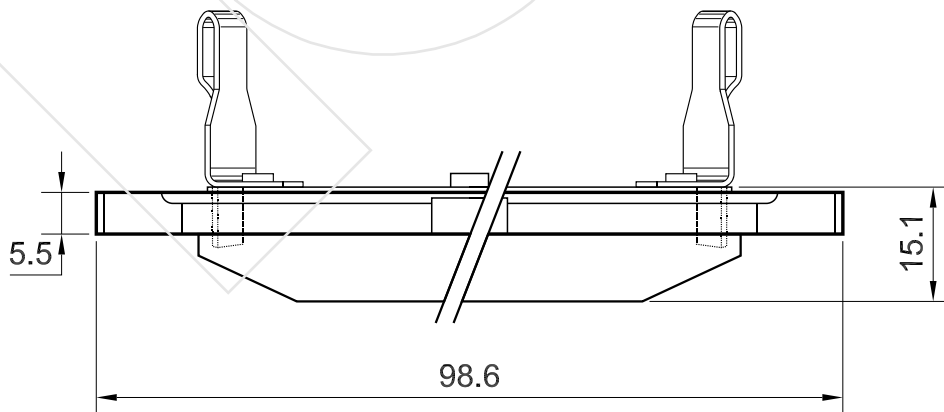
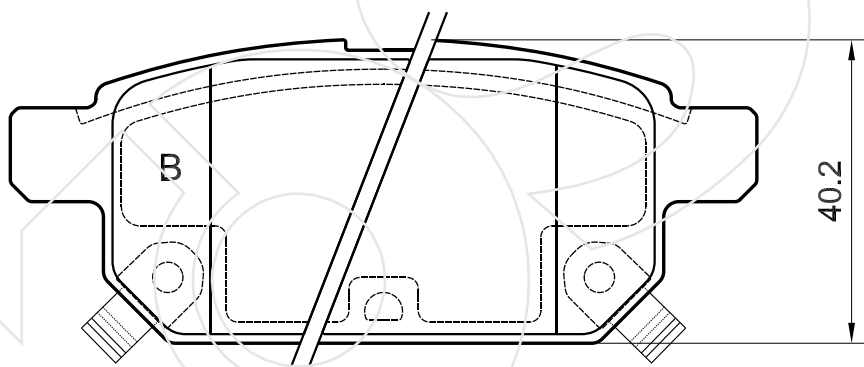
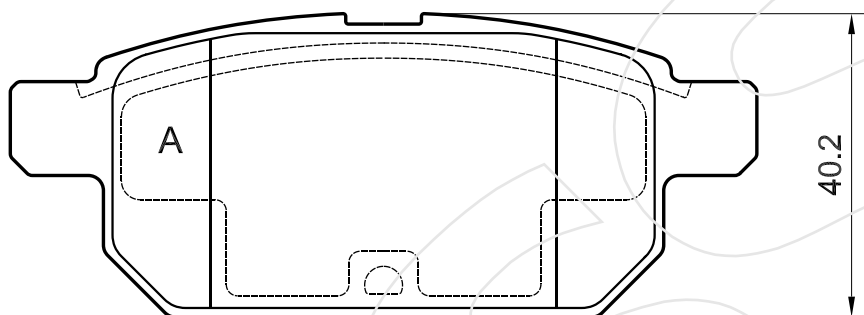
Reference in this Catalogue to other manufactures and to part numbers and other descriptions are for identification purposes only, because the above DISC BRAKE PADS are NOT ORIGINAL but with these interchangeable.

CODICE	IMPIANTO		ASSE	SCALA	APPLICAZIONI
<b>R-1466</b>	GIRLING		ANTERIORE	100%	DAIHATSU
CODICE COMPONENTI	N°	L(mm)	SERIE		MAZDA
A0355	2	*	2 PEZZI TIPO A		SUBARU
A0355+M0074	2+2	*	2 PEZZI TIPO B		
*	*	*	*		SUZUKI
*	*	*	*		
*	*	*	*		
CODICE ACCESSORI	N°	L(mm)	NOTE		
*	*	*			
*	*	*			
*	*	*			
*	*	*			



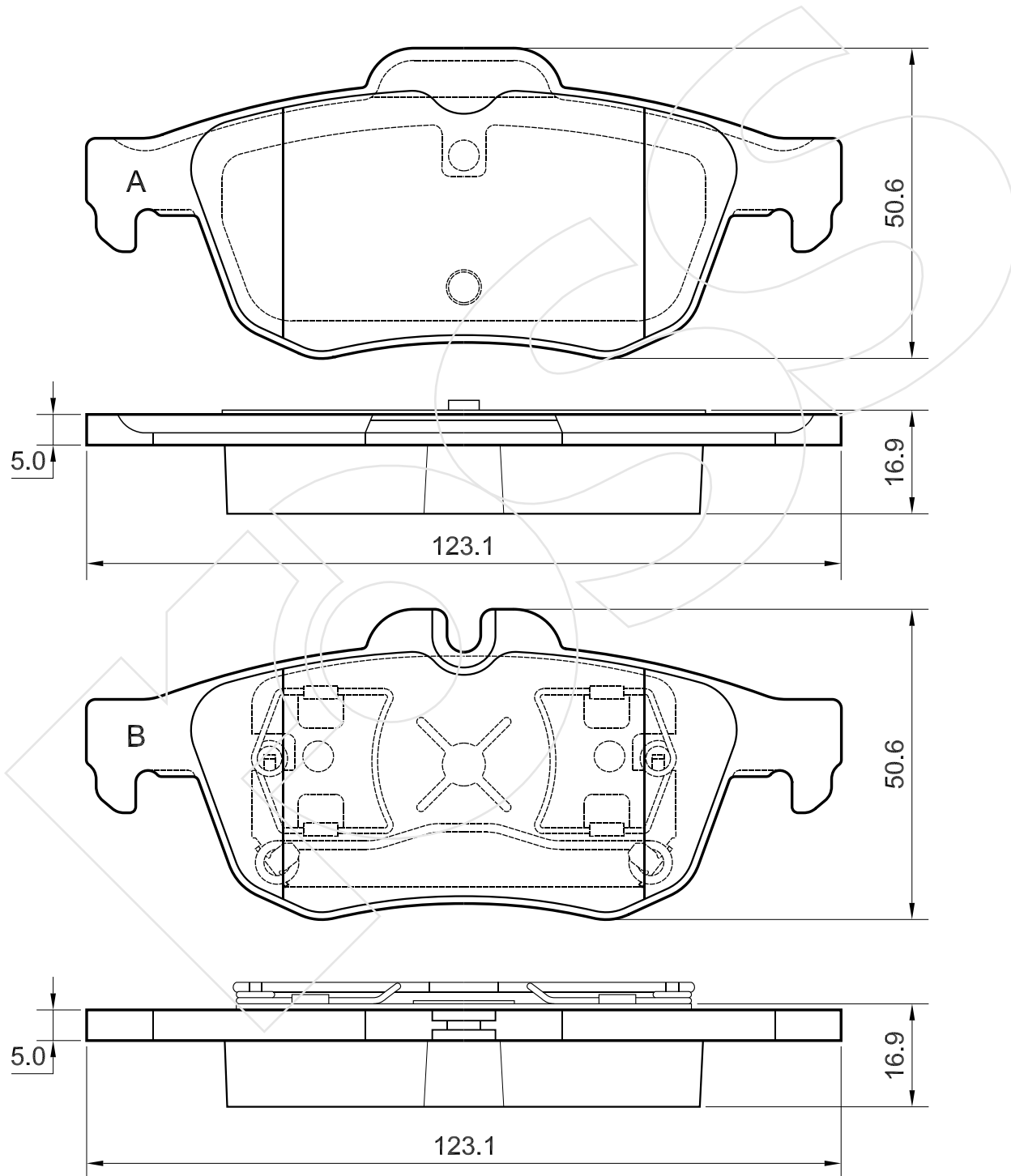
Reference in this Catalogue to other manufactures and to part numbers and other descriptions are for identification purposes only, because the above DISC BRAKE PADS are NOT ORIGINAL but with these interchangeable.

CODICE	IMPIANTO		ASSE	SCALA	APPLICAZIONI
<b>R-1467</b>	AKEBONO		POSTERIORE	100%	SUZUKI
CODICE COMPONENTI	N°	L(mm)	SERIE		
A0000	2	*	2 PEZZI TIPO A		
A0000+M0000	2+2	*	2 PEZZI TIPO B		
*	*	*	*		
*	*	*	*		
CODICE ACCESSORI	N°	L(mm)	NOTE		
*	*	*			
*	*	*			
*	*	*			
*	*	*			



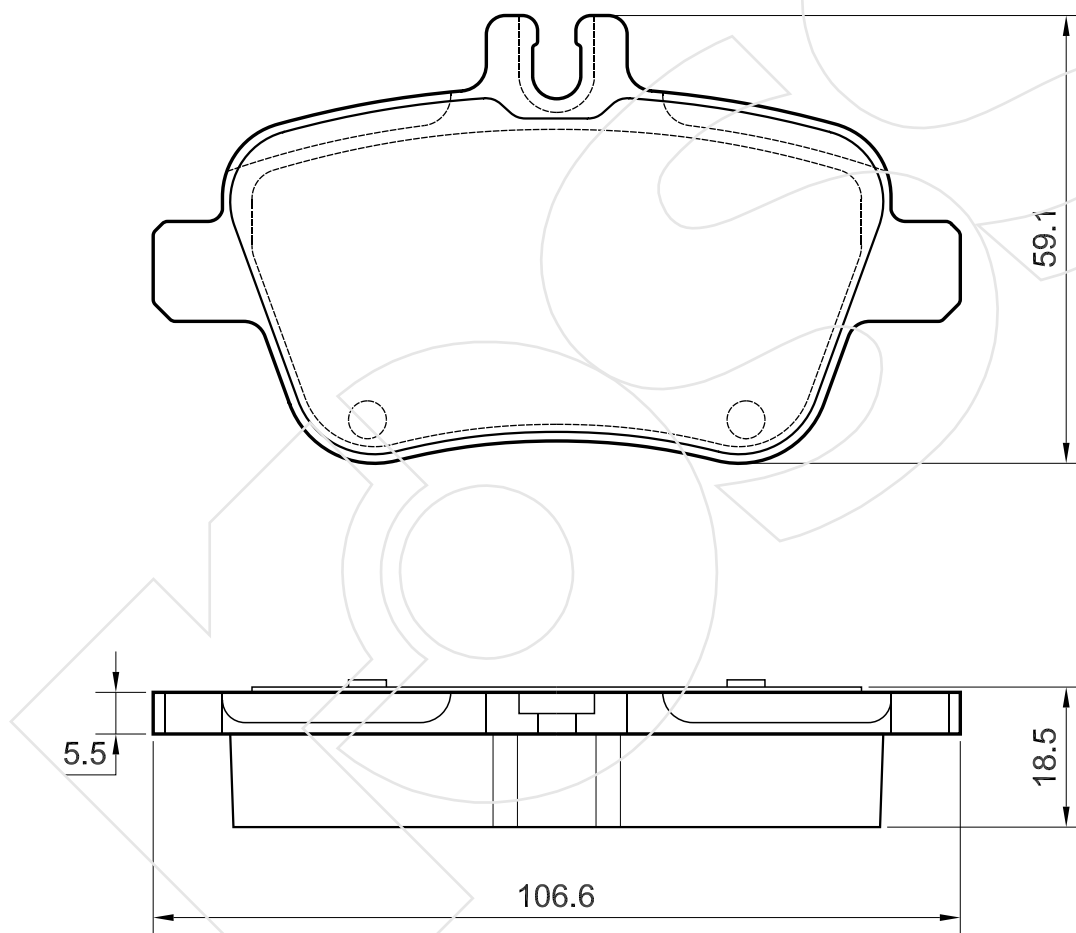
Reference in this Catalogue to other manufactures and to part numbers and other descriptions are for identification purposes only, because the above DISC BRAKE PADS are NOT ORIGINAL but with these interchangeable.

CODICE	IMPIANTO		ASSE	SCALA	APPLICAZIONI
<b>R-1468</b>	ATE		POSTERIORE	100%	RENAULT
CODICE COMPONENTI	N°	L(mm)	SERIE		
A0000	2	*	2 PEZZI TIPO A		
A0000+M0000	2+2	*	2 PEZZI TIPO B		
*	*	*	*		
*	*	*	*		
CODICE ACCESSORI	N°	L(mm)	NOTE		
*	*	*			
*	*	*			
*	*	*			
*	*	*			



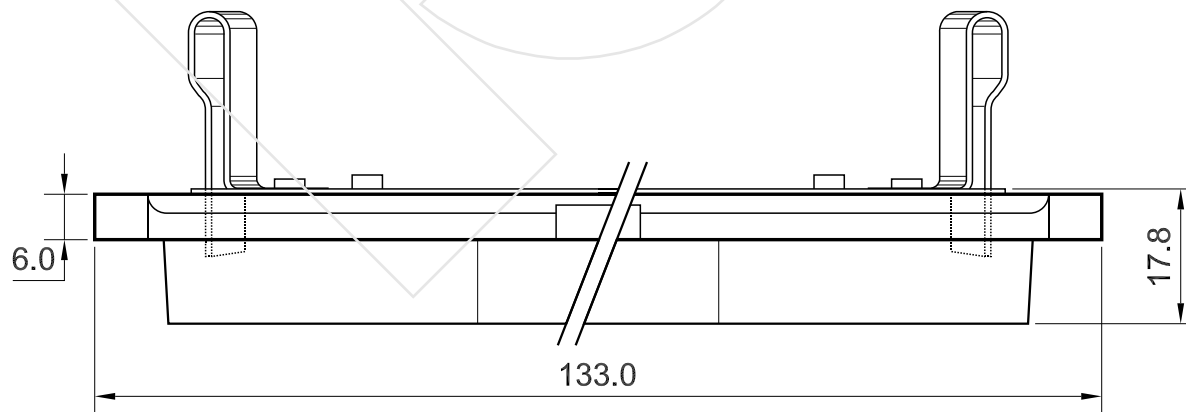
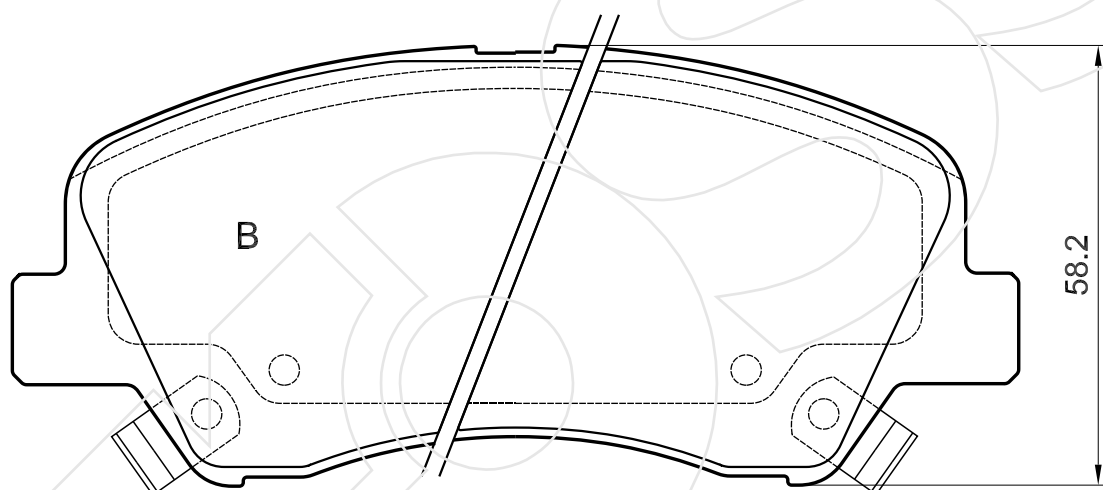
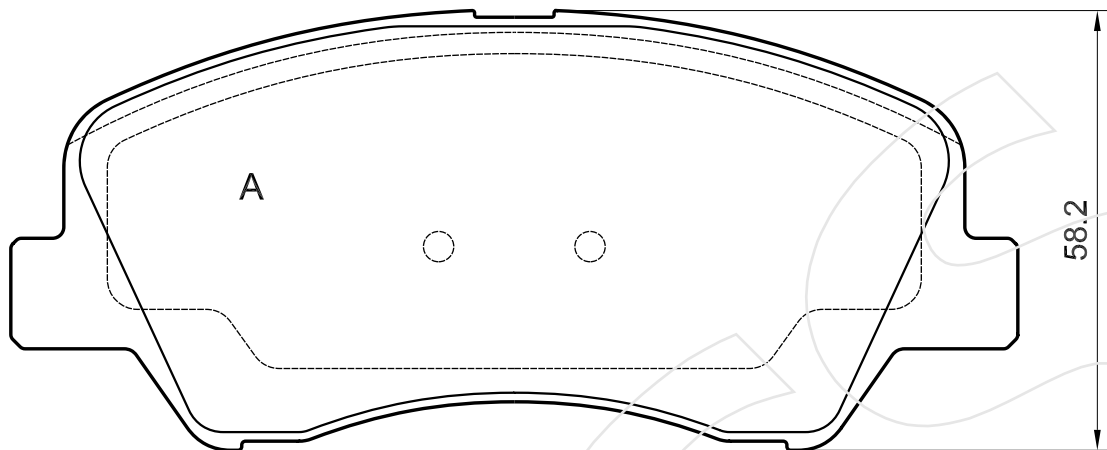
Reference in this Catalogue to other manufactures and to part numbers and other descriptions are for identification purposes only, because the above DISC BRAKE PADS are NOT ORIGINAL but with these interchangeable.

CODICE	IMPIANTO		ASSE	SCALA	APPLICAZIONI
<b>R-1469</b>	TRW		POSTERIORE	100%	MERCEDES
CODICE COMPONENTI	N°	L(mm)	SERIE		
A0000	4	*	4 PEZZI		
*	*	*	*		
*	*	*	*		
*	*	*	*		
CODICE ACCESSORI	N°	L(mm)	NOTE		
*	*	*			
*	*	*			
*	*	*			
*	*	*			



Reference in this Catalogue to other manufactures and to part numbers and other descriptions are for identification purposes only, because the above DISC BRAKE PADS are NOT ORIGINAL but with these interchangeable.

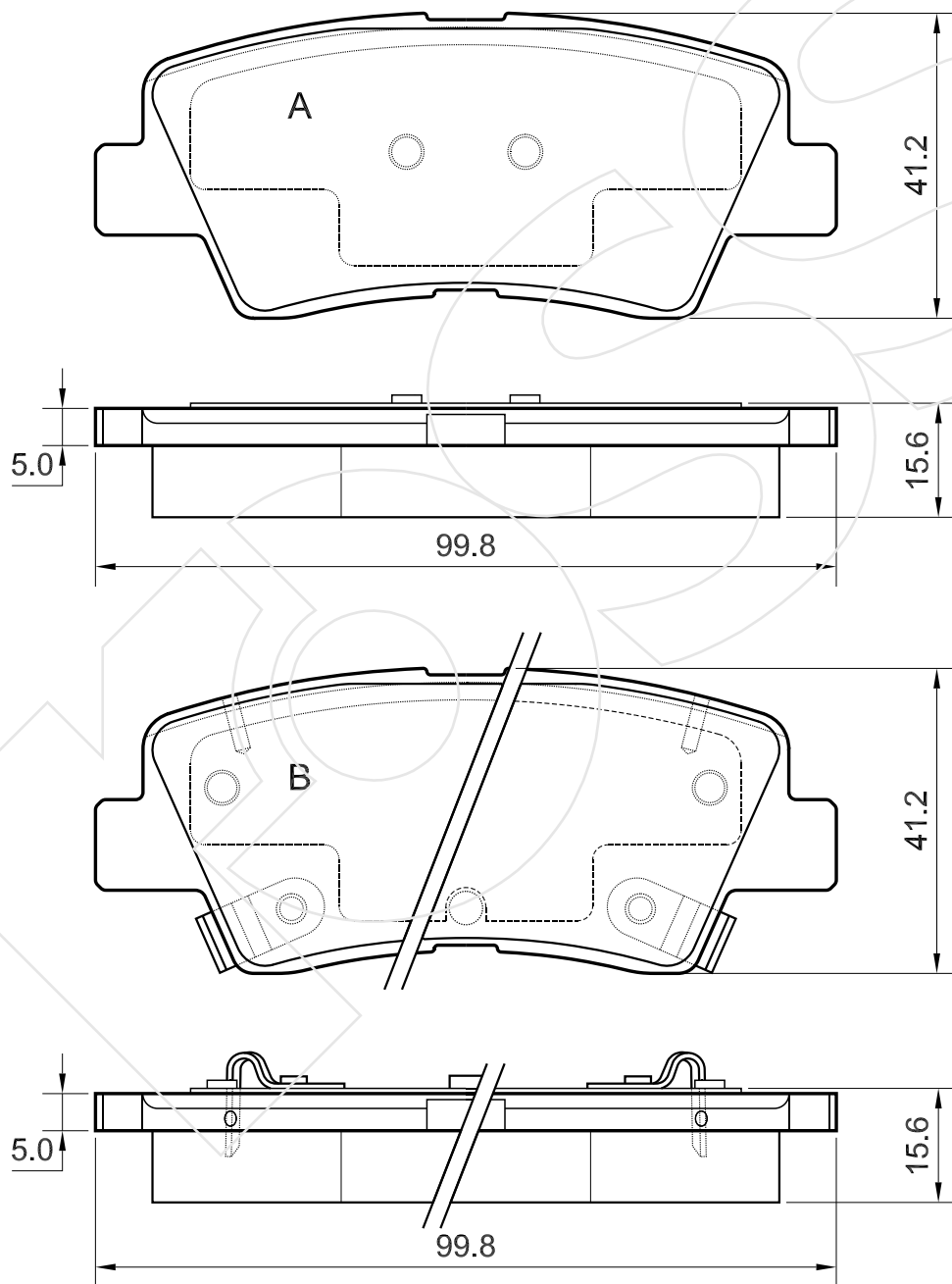
CODICE	IMPIANTO		ASSE	SCALA	APPLICAZIONI
<b>R-1470</b>	TRW		ANTERIORE	100%	KIA
CODICE COMPONENTI	N°	L(mm)	SERIE		
A0000	2	*	2 PEZZI TIPO A		
A0000+M0000	2+2	*	2 PEZZI TIPO B		
*	*	*	*		
*	*	*	*		
CODICE ACCESSORI	N°	L(mm)	NOTE		
*	*	*			
*	*	*			
*	*	*			
*	*	*			



Reference in this Catalogue to other manufactures and to part numbers and other descriptions are for identification purposes only, because the above DISC BRAKE PADS are NOT ORIGINAL but with these interchangeable.

CODICE	IMPIANTO		ASSE	SCALA	APPLICAZIONI
<b>R-1471</b>	AKEBONO		POSTERIORE	100%	KIA
CODICE COMPONENTI	N°	L(mm)	SERIE		
A0000	2	*	2 PEZZI TIPO A		
A0000+M0347	2+2	*	2 PEZZI TIPO B		
*	*	*	*		
*	*	*	*		
CODICE ACCESSORI	N°	L(mm)	NOTE		
*	*	*			
*	*	*			
*	*	*			
*	*	*			

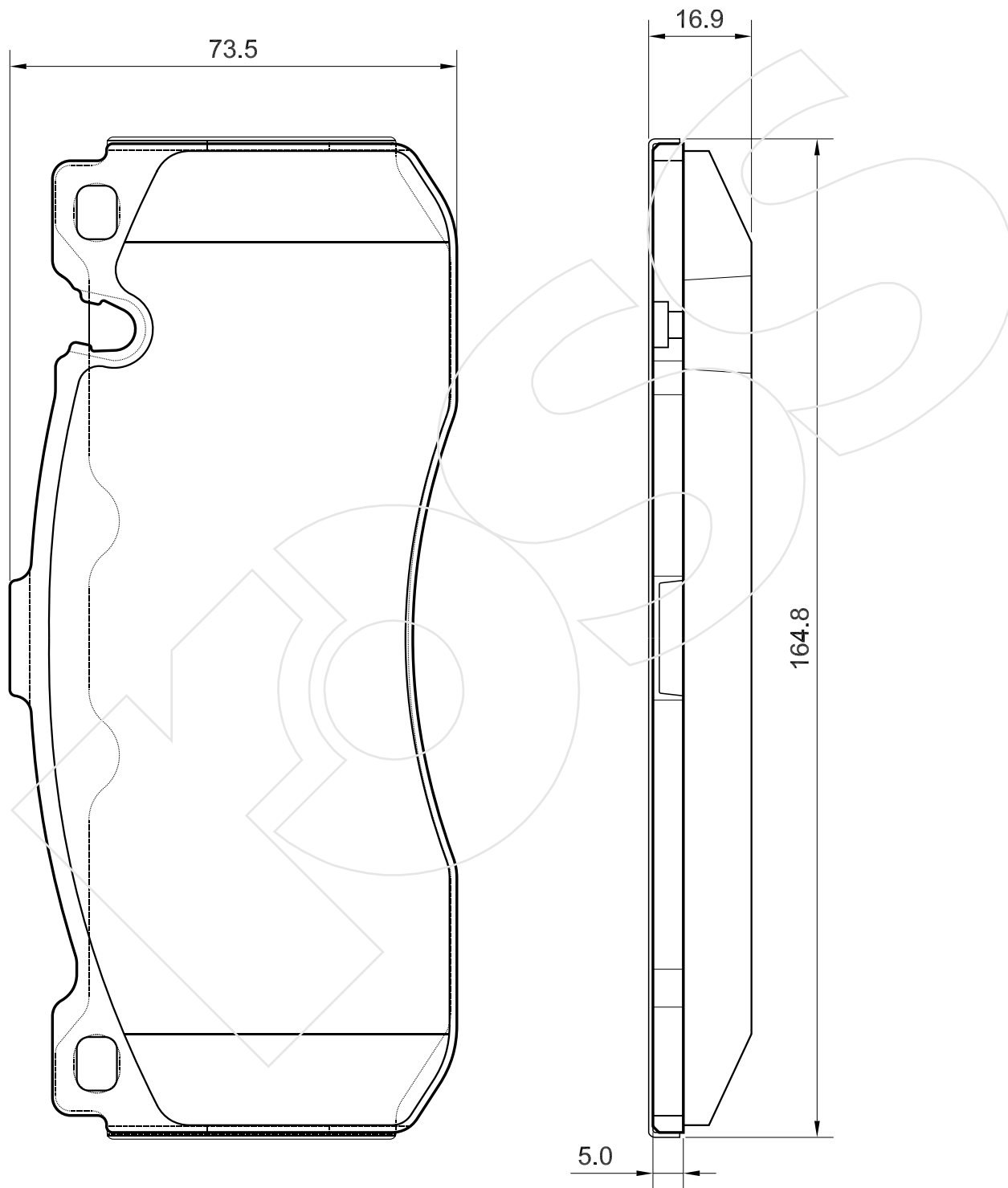
HYUNDAI



Reference in this Catalogue to other manufactures and to part numbers and other descriptions are for identification purposes only, because the above DISC BRAKE PADS are NOT ORIGINAL but with these interchangeable.

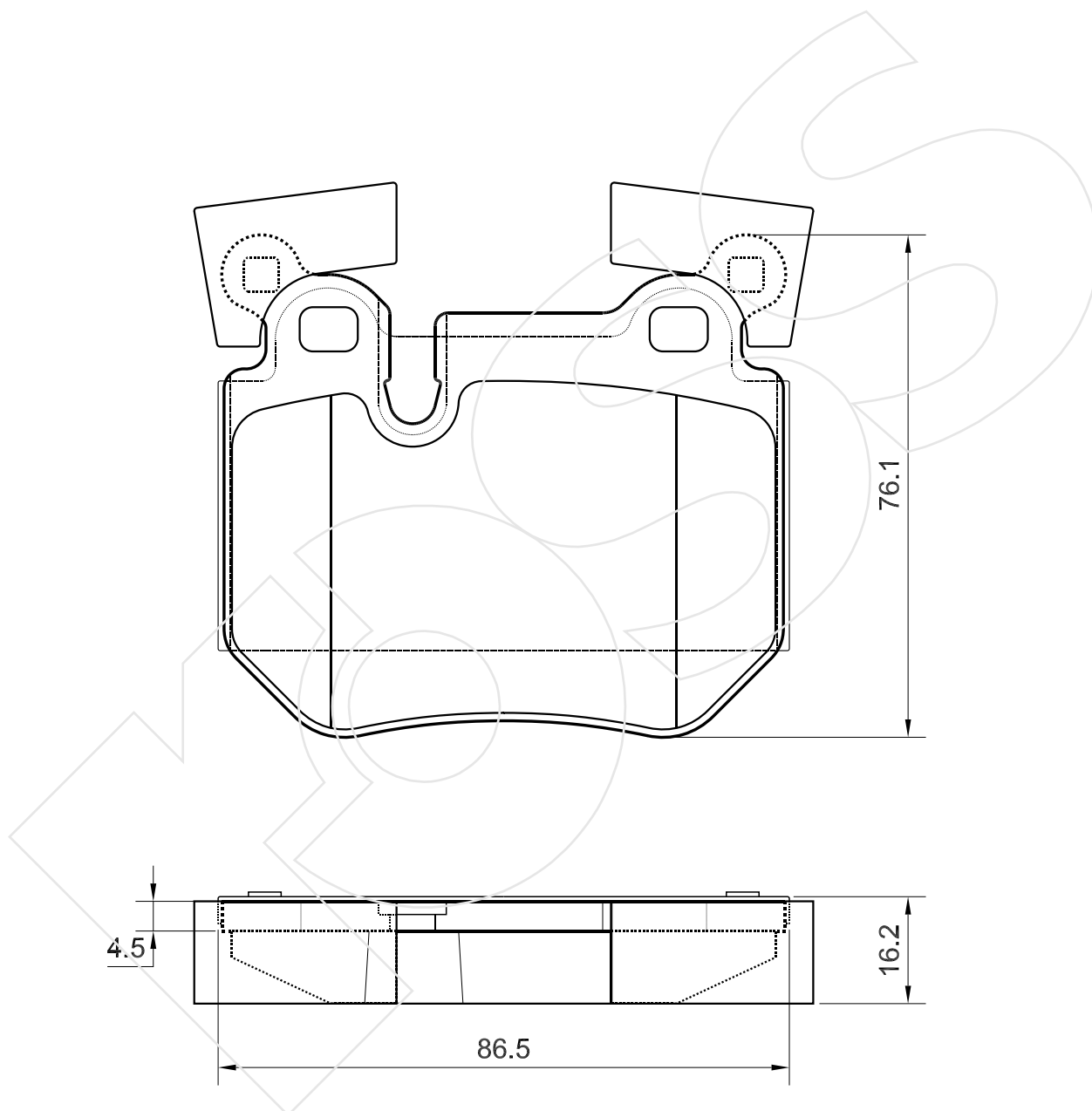


CODICE	IMPIANTO		ASSE	SCALA	APPLICAZIONI
<b>R-1472</b>	BREMBO		ANTERIORE	100%	BMW
CODICE COMPONENTI	N°	L(mm)	SERIE		
A0000	4	*	4 PEZZI		
*	*	*	*		
*	*	*	*		
*	*	*	*		
CODICE ACCESSORI	N°	L(mm)	NOTE		
*	*	*			
*	*	*			
*	*	*			
*	*	*			



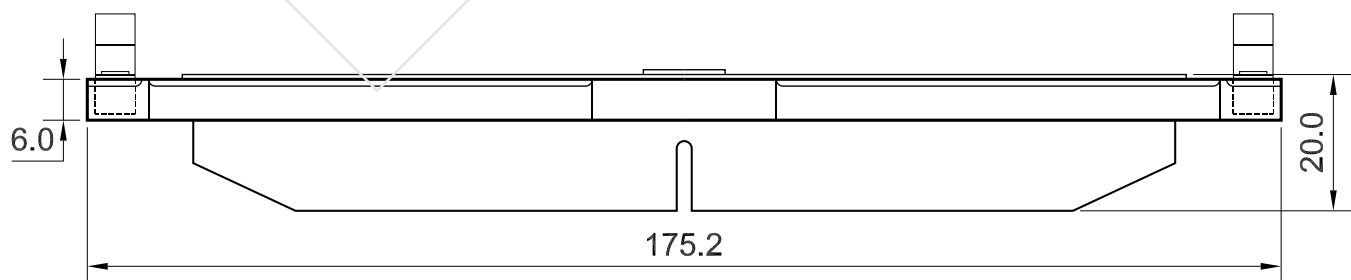
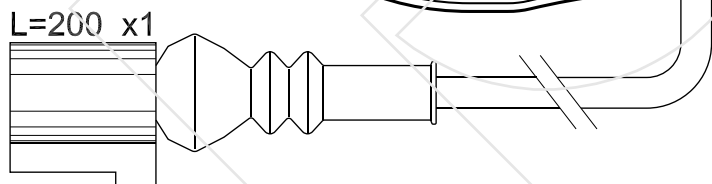
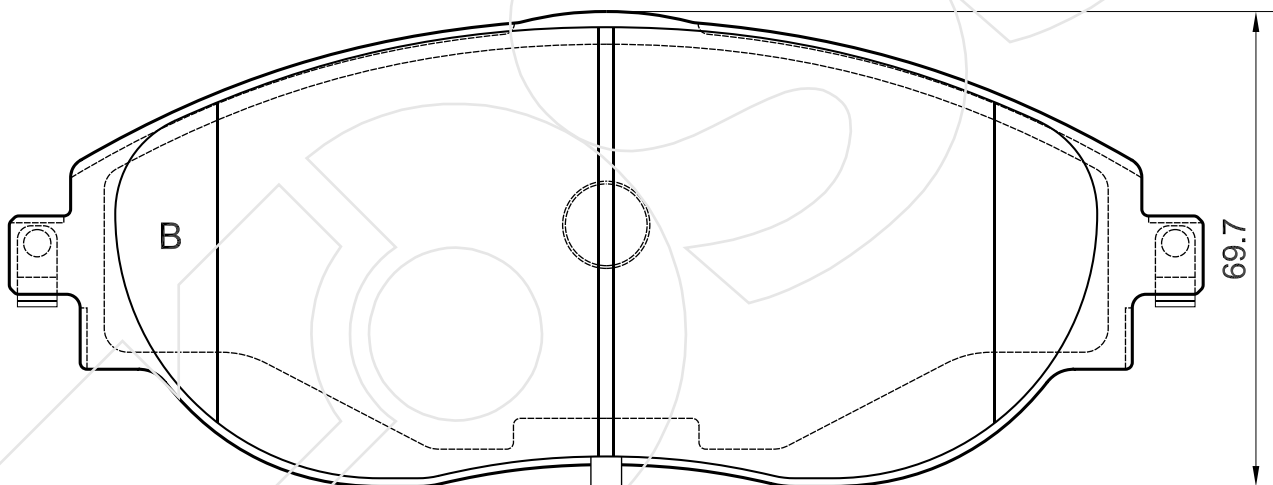
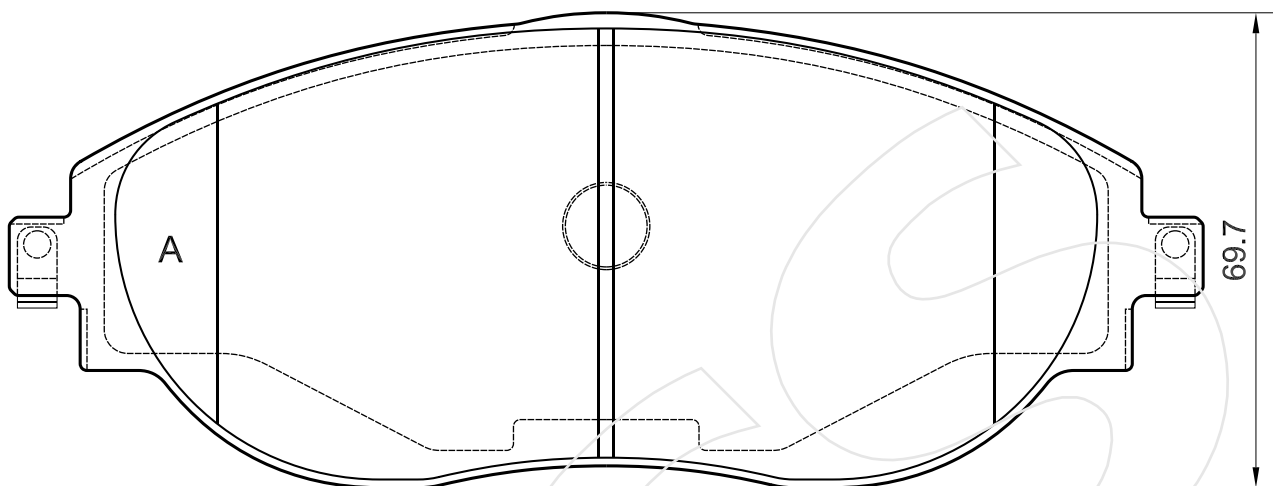
Reference in this Catalogue to other manufactures and to part numbers and other descriptions are for identification purposes only, because the above DISC BRAKE PADS are NOT ORIGINAL but with these interchangeable.

CODICE	IMPIANTO		ASSE	SCALA	APPLICAZIONI
<b>R-1473</b>	BREMBO		POSTERIORE	100%	BMW
CODICE COMPONENTI	N°	L(mm)	SERIE		
A0000+M0000	4+8	*	4 PEZZI		
*	*	*	*		
*	*	*	*		
*	*	*	*		
CODICE ACCESSORI	N°	L(mm)	NOTE		
*	*	*			
*	*	*			
*	*	*			
*	*	*			



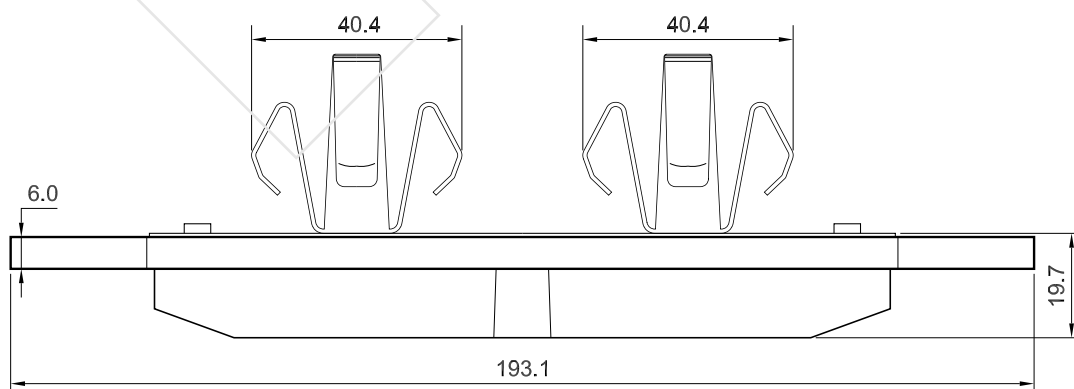
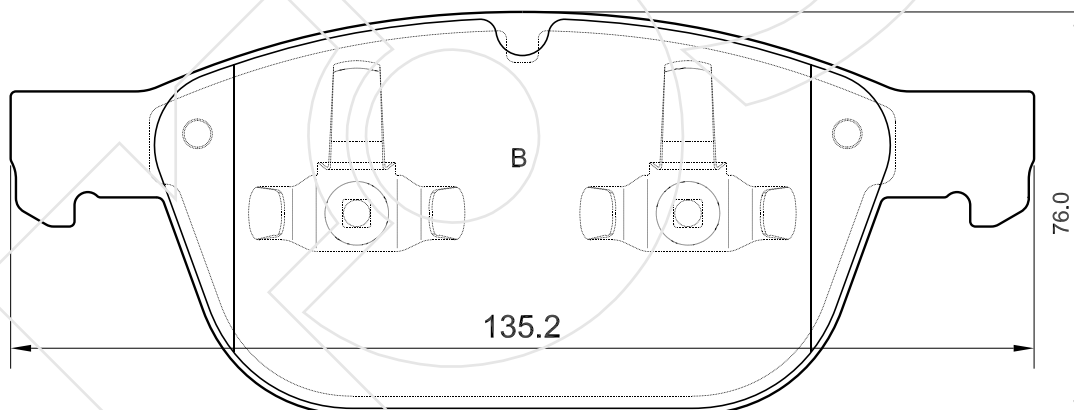
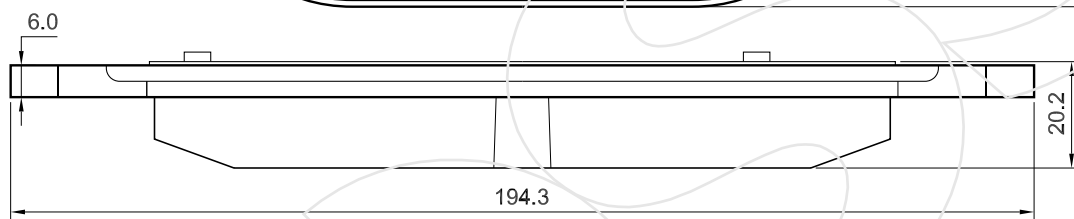
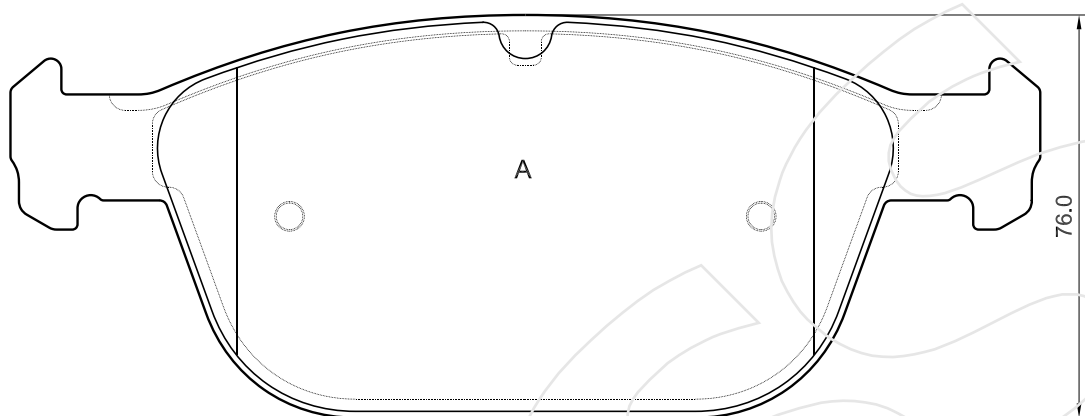
Reference in this Catalogue to other manufactures and to part numbers and other descriptions are for identification purposes only, because the above DISC BRAKE PADS are NOT ORIGINAL but with these interchangeable.

CODICE	IMPIANTO		ASSE	SCALA	APPLICAZIONI
<b>R-1474</b>	TRW		ANTERIORE	90%	SEAT
CODICE COMPONENTI	N°	L(mm)	SERIE		VOLKSWAGEN
A0000+M0000	3+6	*	3 PEZZO TIPO A		
A0000+M0000+F0000	1+2+1	200	1 PEZZI TIPO B		
*	*	*	*		
*	*	*	*		
CODICE ACCESSORI	N°	L(mm)	NOTE		
*	*	*			
*	*	*			
*	*	*			
*	*	*			



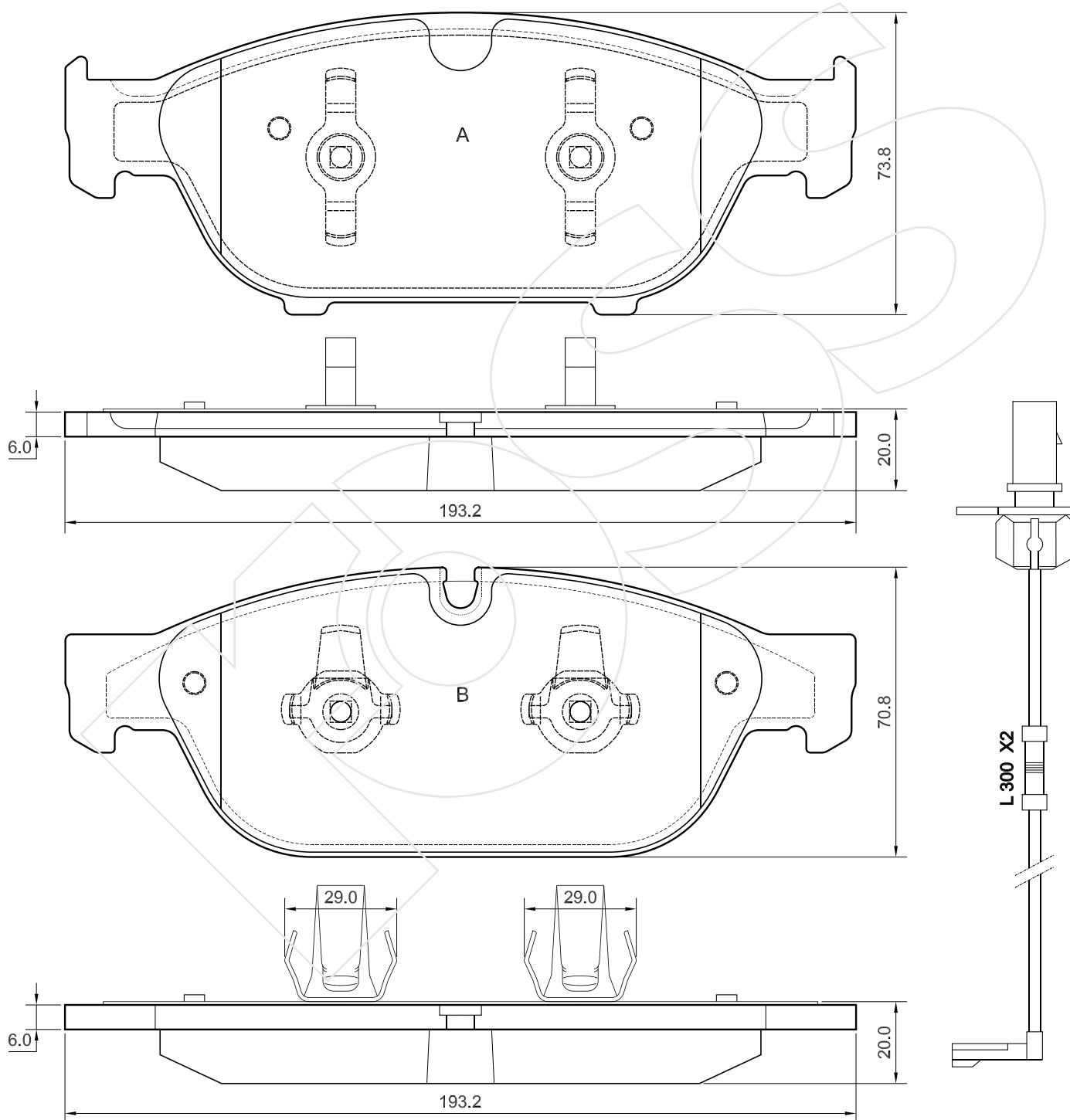
Reference in this Catalogue to other manufactures and to part numbers and other descriptions are for identification purposes only, because the above DISC BRAKE PADS are NOT ORIGINAL but with these interchangeable.

CODICE	IMPIANTO		ASSE	SCALA	APPLICAZIONI
<b>R-1475</b>	ATE		ANTERIORE		VOLVO
CODICE COMPONENTI	N°	L(mm)	SERIE		
A0000	2	*	2 PEZZI TIPO A		
A0000+M0000	2+4	*	2 PEZZI TIPO B		
*	*	*	*		
*	*	*	*		
CODICE ACCESSORI	N°	L(mm)	NOTE		
*	*	*			
*	*	*			
*	*	*			
*	*	*			



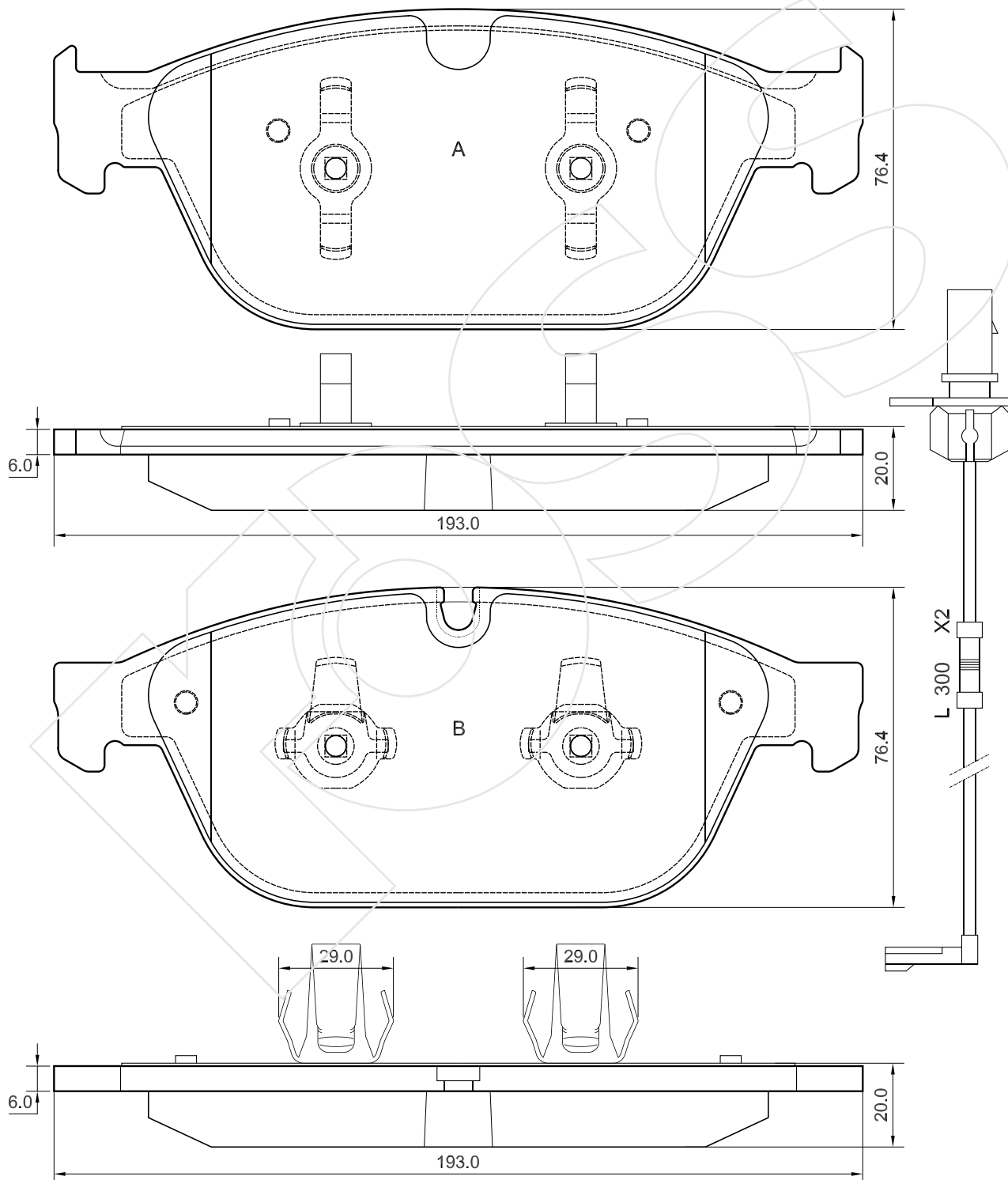
Reference in this Catalogue to other manufactures and to part numbers and other descriptions are for identification purposes only, because the above DISC BRAKE PADS are NOT ORIGINAL but with these interchangeable.

CODICE	IMPIANTO	ASSE	SCALA	APPLICAZIONI
<b>R-1476</b>	ATE	ANTERIORE	70%	AUDI
CODICE COMPONENTI	N°	L(mm)	SERIE	
A0000+M0000	2+4	*	2 PEZZI TIPO A	
A0000+M0000+F0000	2+4+2	300	2 PEZZI TIPO B	
*	*	*	*	
*	*	*	*	
CODICE ACCESSORI	N°	L(mm)	NOTE	
*	*	*		
*	*	*		
*	*	*		
*	*	*		



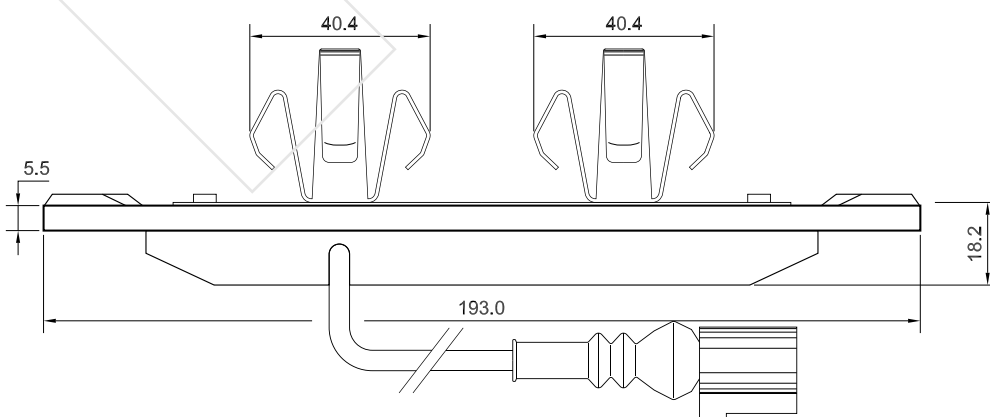
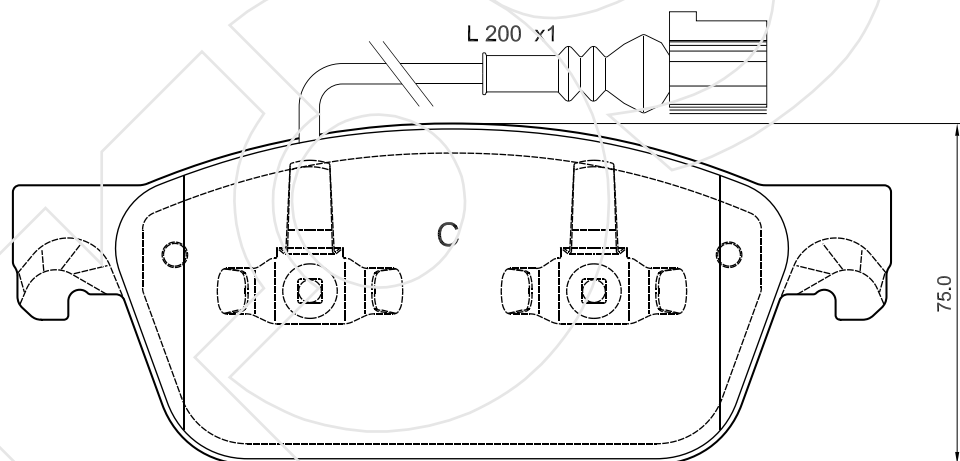
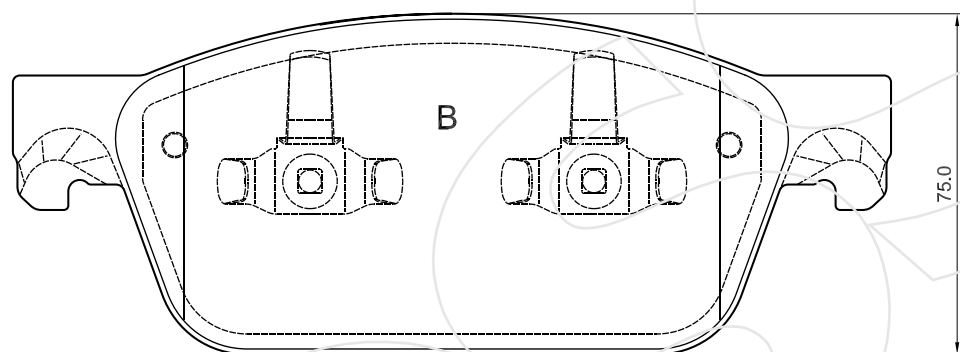
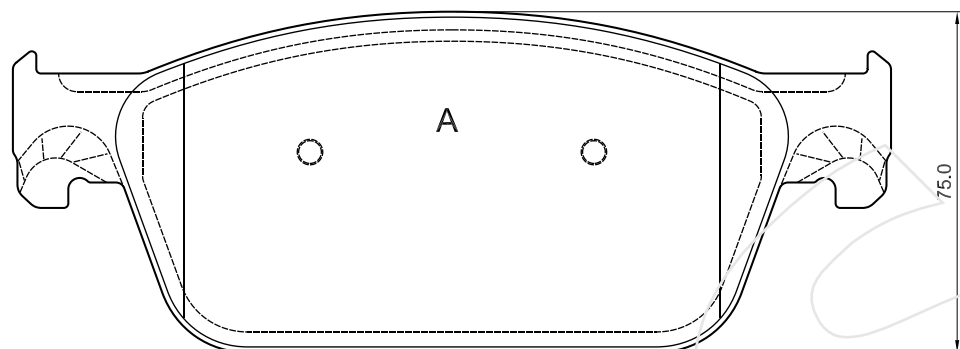
Reference in this Catalogue to other manufactures and to part numbers and other descriptions are for identification purposes only, because the above DISC BRAKE PADS are NOT ORIGINAL but with these interchangeable.

CODICE	IMPIANTO		ASSE	SCALA	APPLICAZIONI
<b>R-1477</b>	ATE		ANTERIORE	70%	AUDI
CODICE COMPONENTI	N°	L(mm)	SERIE		
A0000+M0000	2+4	*	2 PEZZI TIPO A		
A0000+M0000+F0000	2+4+2	300	2 PEZZI TIPO B		
*	*	*	*		
*	*	*	*		
CODICE ACCESSORI	N°	L(mm)	NOTE		
*	*	*			
*	*	*			
*	*	*			
*	*	*			



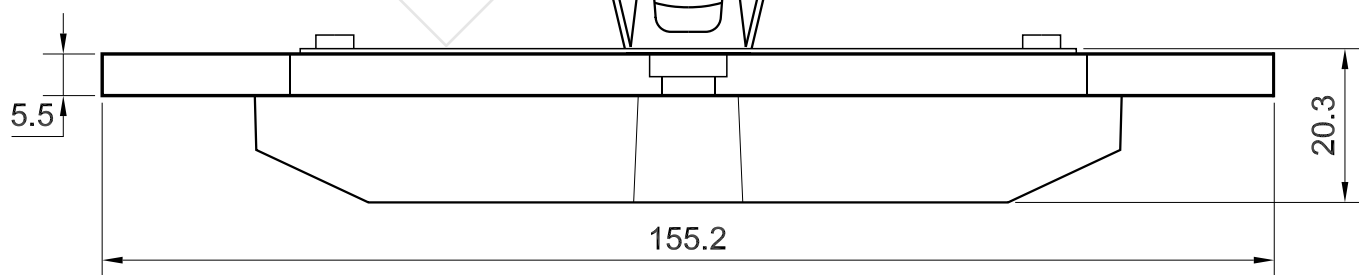
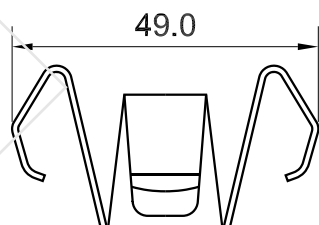
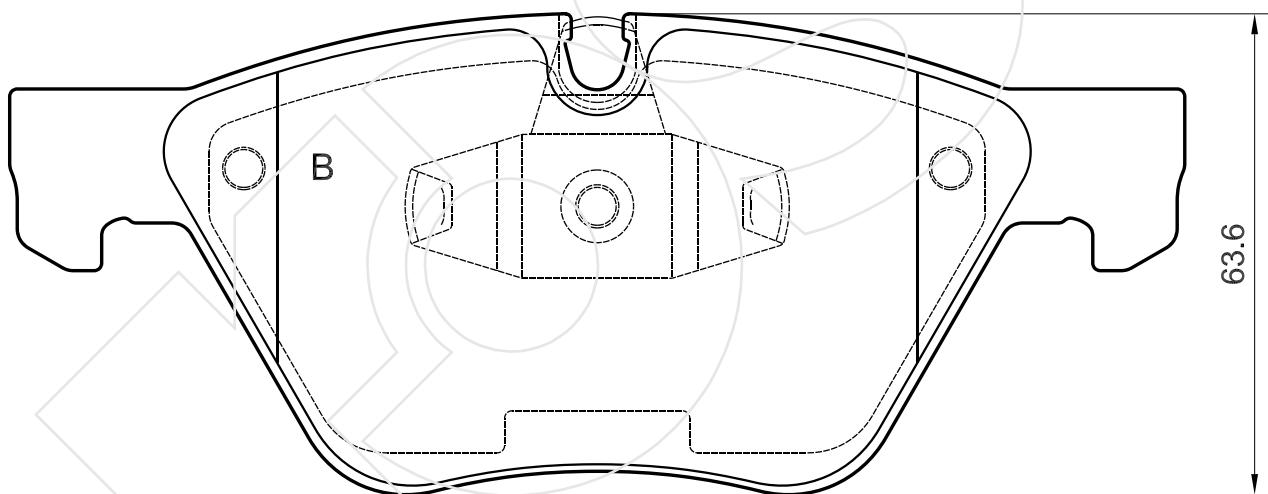
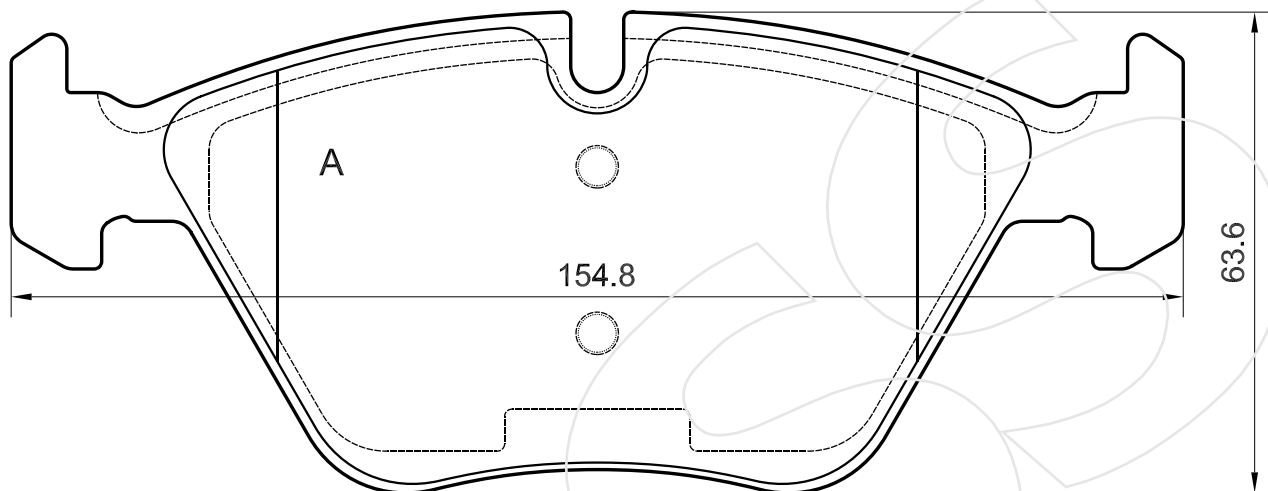
Reference in this Catalogue to other manufactures and to part numbers and other descriptions are for identification purposes only, because the above DISC BRAKE PADS are NOT ORIGINAL but with these interchangeable.

CODICE	IMPIANTO	ASSE	SCALA	APPLICAZIONI
<b>R-1478</b>	ATE	ANTERIORE	60%	VOLKSWAGEN
CODICE COMPONENTI	N°	L(mm)	SERIE	
A0000	2	*	2 PEZZI TIPO A	
A0000+M0000	1+2	*	1 PEZZO TIPO B	
A0000+M0000+F0000	1+2+1	200	1 PEZZO TIPO C	
*	*	*	*	
CODICE ACCESSORI	N°	L(mm)	NOTE	
*	*	*		
*	*	*		
*	*	*		
*	*	*		



Reference in this Catalogue to other manufactures and to part numbers and other descriptions are for identification purposes only, because the above DISC BRAKE PADS are NOT ORIGINAL but with these interchangeable.

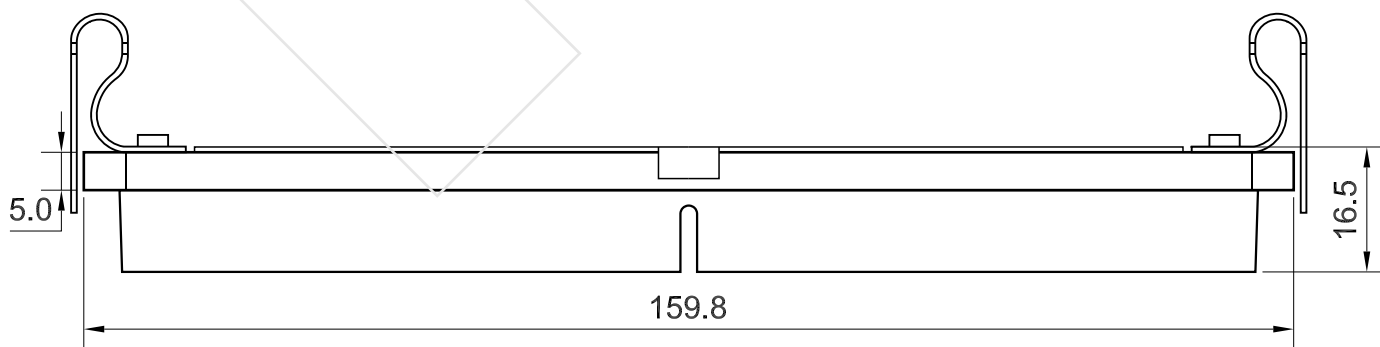
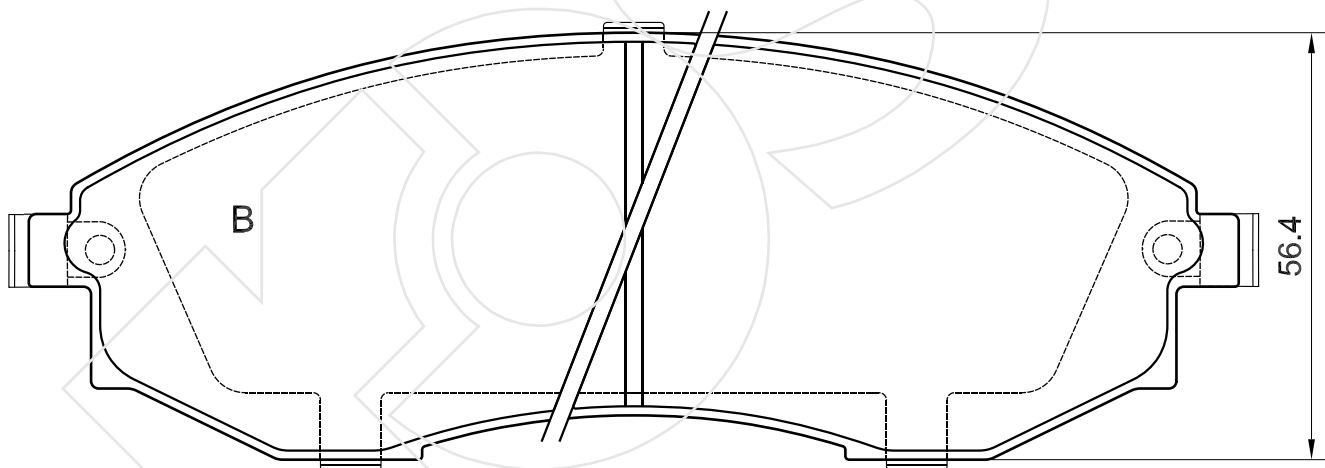
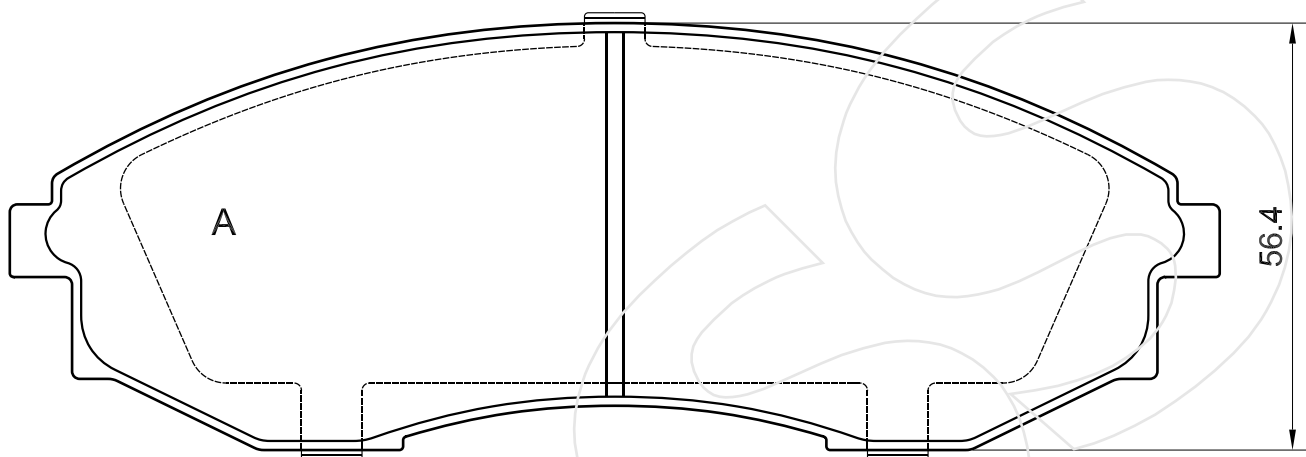
CODICE	IMPIANTO		ASSE	SCALA	APPLICAZIONI
<b>R-1479</b>	ATE		ANTERIORE	1:1	BMW
CODICE COMPONENTI	N°	L(mm)	SERIE		
A0000	2	*	2 PEZZI TIPO A		
A0000+M0168	2+2	*	2 PEZZI TIPO B		
*	*	*	*		
*	*	*	*		
CODICE ACCESSORI	N°	L(mm)	NOTE		
*	*	*			
*	*	*			
*	*	*			
*	*	*			



Reference in this Catalogue to other manufactures and to part numbers and other descriptions are for identification purposes only, because the above DISC BRAKE PADS are NOT ORIGINAL but with these interchangeable.



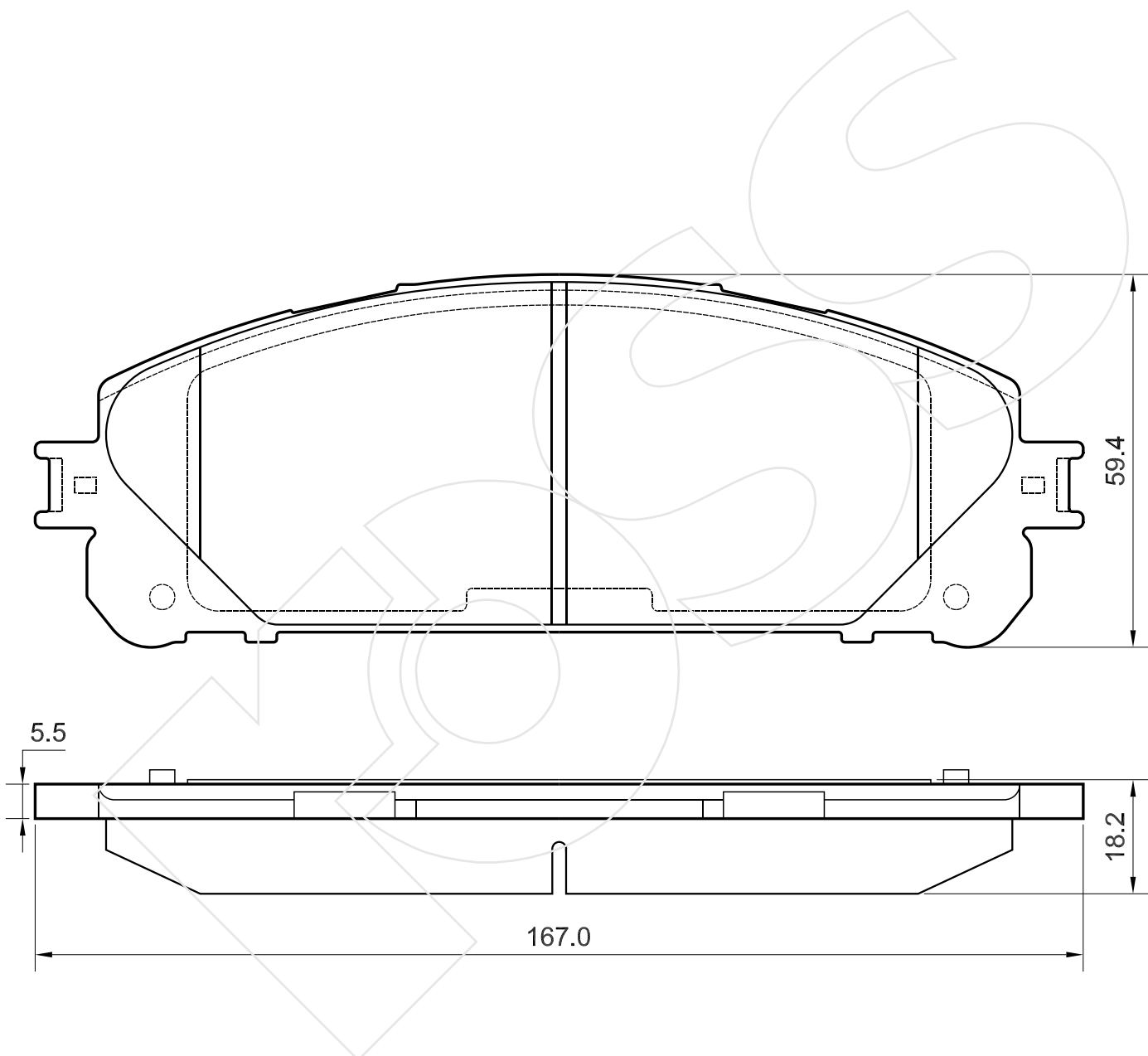
CODICE	IMPIANTO		ASSE	SCALA	APPLICAZIONI
<b>R-1480</b>	SUMITOMO		ANTERIORE	1:1	SSANGYONG
CODICE COMPONENTI	N°	L(mm)	SERIE		
A0000	2	*	2 PEZZI TIPO A		
A0000+M0074	2+2	*	2 PEZZI TIPO B		
*	*	*	*		
*	*	*	*		
CODICE ACCESSORI	N°	L(mm)	NOTE		
*	*	*			
*	*	*			
*	*	*			
*	*	*			



Reference in this Catalogue to other manufactures and to part numbers and other descriptions are for identification purposes only, because the above DISC BRAKE PADS are NOT ORIGINAL but with these interchangeable.

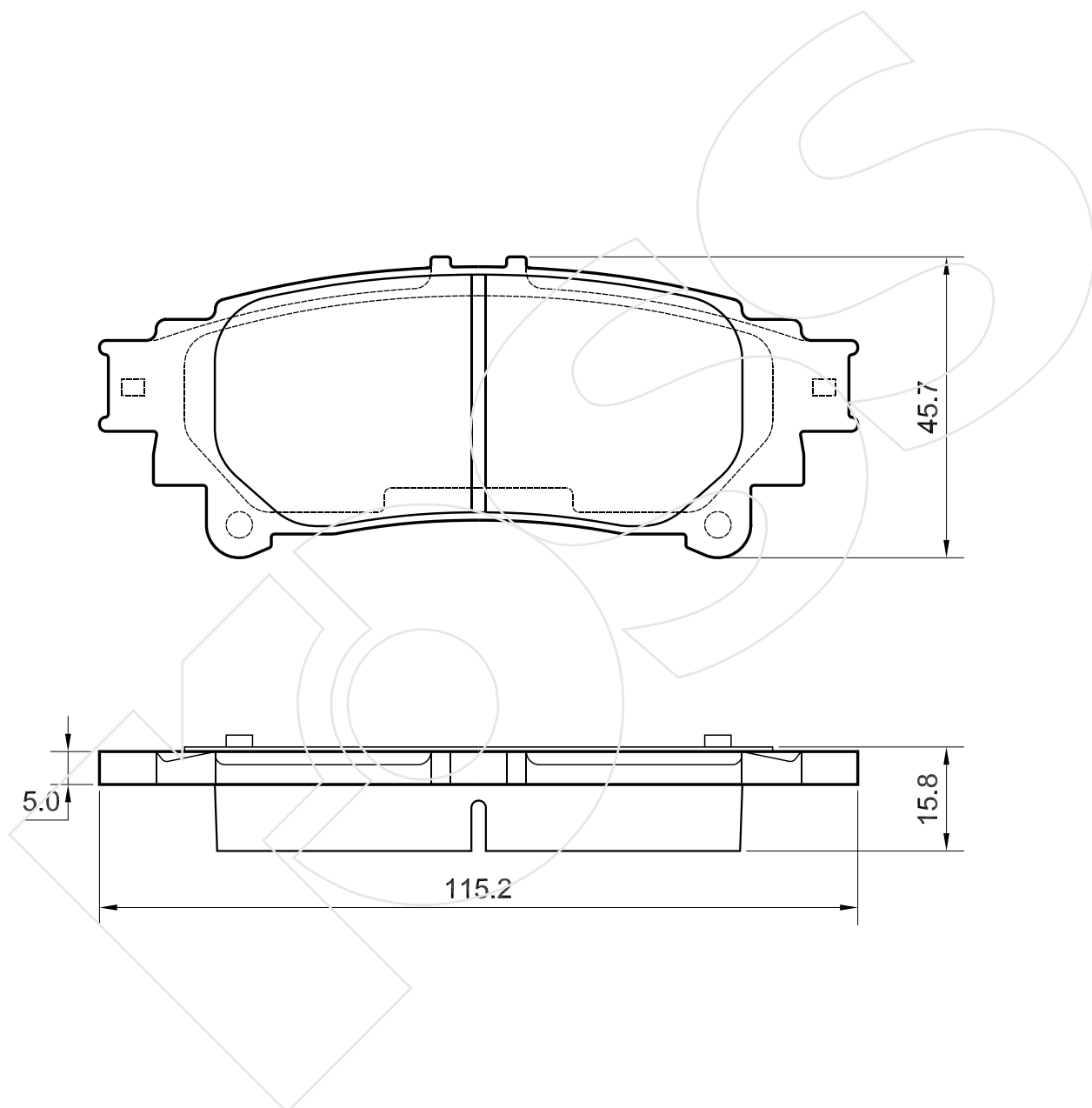
CODICE	IMPIANTO		ASSE	SCALA	APPLICAZIONI
<b>R-1481</b>	ADVICS		ANTERIORE	100%	LEXUS
CODICE COMPONENTI	N°	L(mm)	SERIE		
A0000	4	*	4 PEZZI		
*	*	*	*		
*	*	*	*		
*	*	*	*		
*	*	*	*		
CODICE ACCESSORI	N°	L(mm)	NOTE		
*	*	*			
*	*	*			
*	*	*			
*	*	*			
*	*	*			

TOYOTA



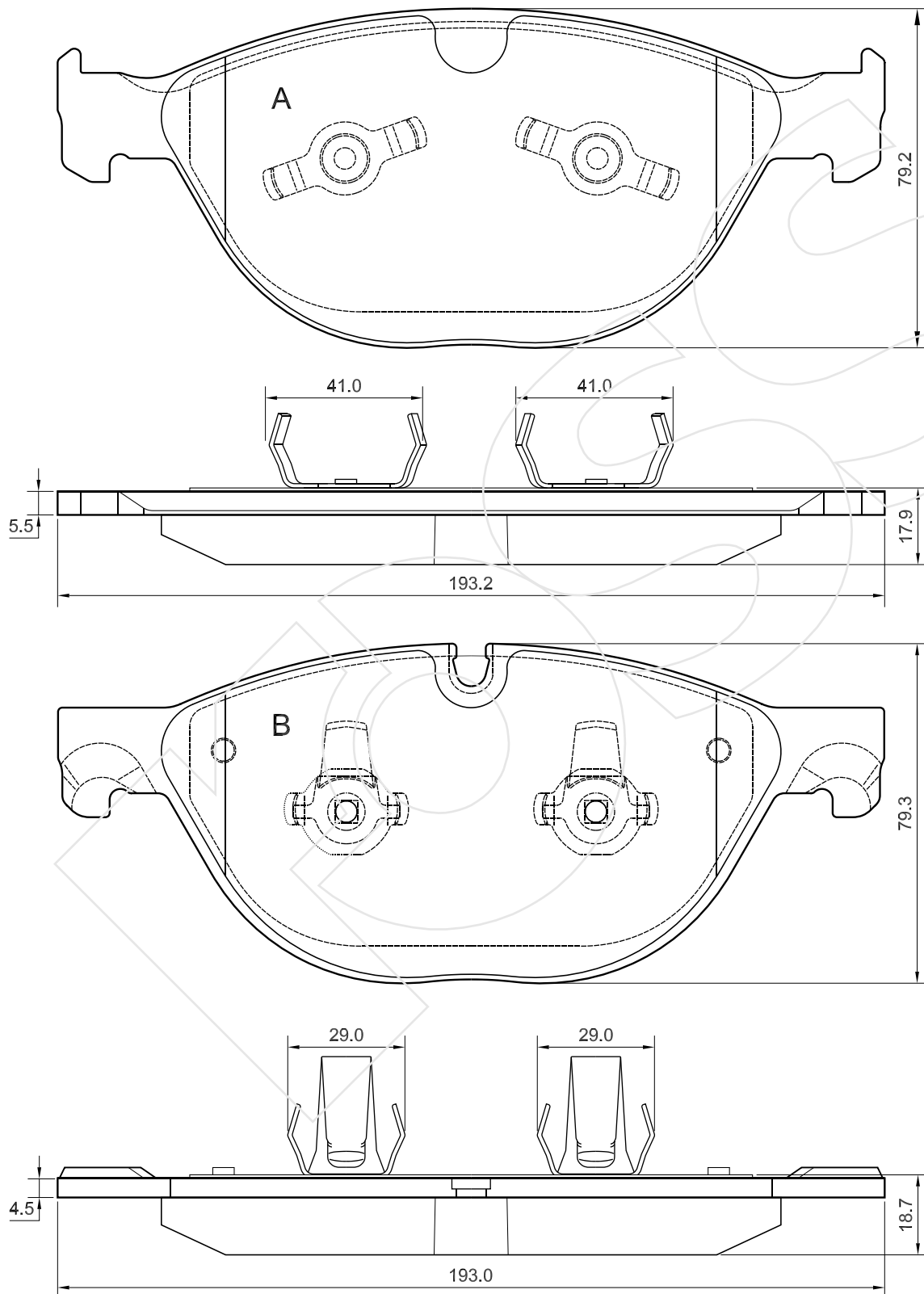
Reference in this Catalogue to other manufactures and to part numbers and other descriptions are for identification purposes only, because the above DISC BRAKE PADS are NOT ORIGINAL but with these interchangeable.

CODICE	IMPIANTO		ASSE	SCALA	APPLICAZIONI
<b>R-1482</b>	AKEBONO		POSTERIORE	100%	LEXUS
CODICE COMPONENTI	N°	L(mm)	SERIE		TOYOTA
A0000	4	*	4 PEZZI		
*	*	*	*		
*	*	*	*		
CODICE ACCESSORI	N°	L(mm)	NOTE		
*	*	*			
*	*	*			
*	*	*			
*	*	*			



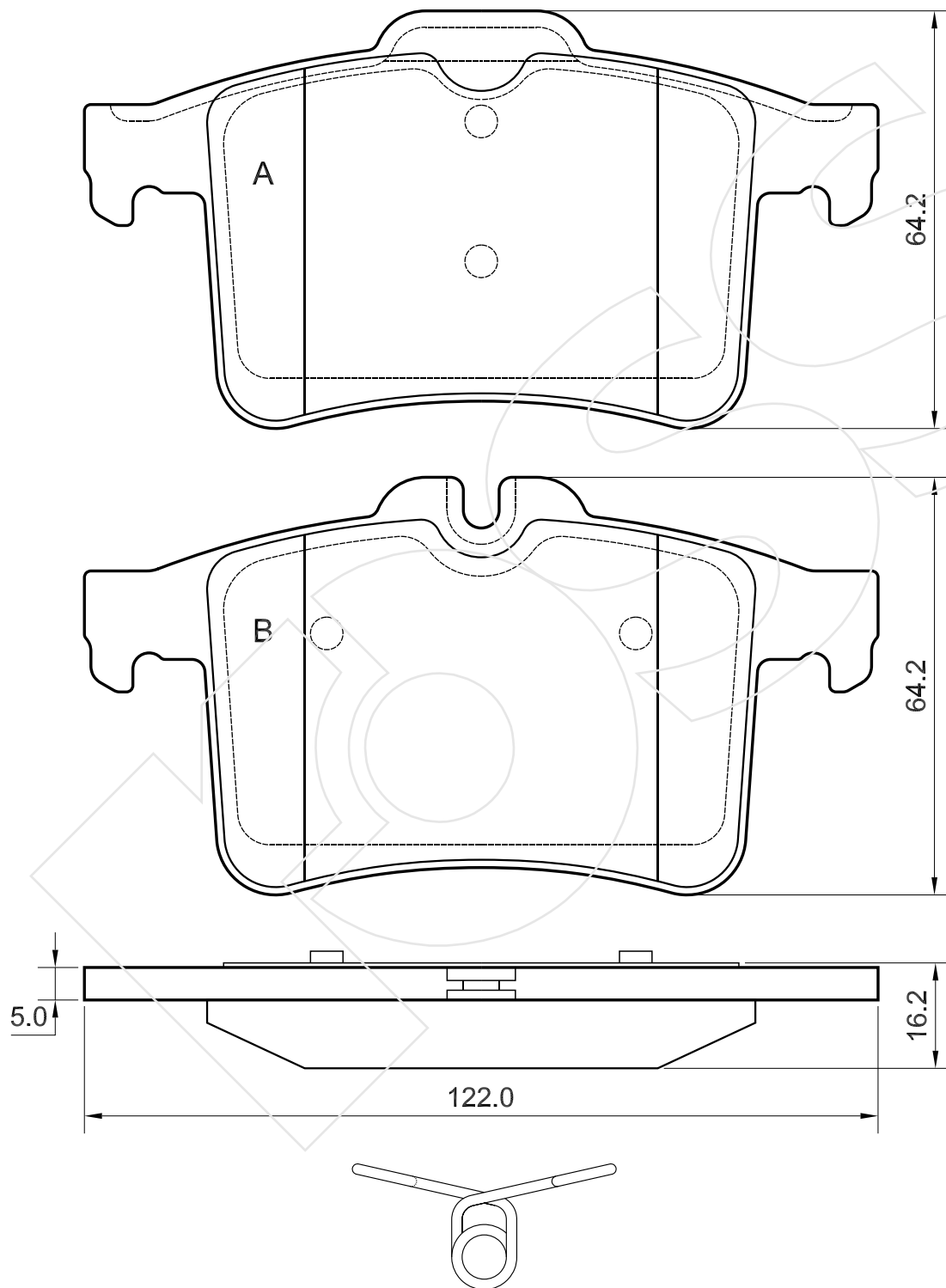
Reference in this Catalogue to other manufactures and to part numbers and other descriptions are for identification purposes only, because the above DISC BRAKE PADS are NOT ORIGINAL but with these interchangeable.

CODICE	IMPIANTO		ASSE	SCALA	APPLICAZIONI
<b>R-1483</b>	ATE		ANTERIORE	70%	JAGUAR
CODICE COMPONENTI	N°	L(mm)	SERIE		
A0000+M0000	2+4	*	2 PEZZI TIPO A		
A0000+M0000	2+4	*	2 PEZZI TIPO B		
*	*	*	*		
*	*	*	*		
CODICE ACCESSORI	N°	L(mm)	NOTE		
*	*	*			
*	*	*			
*	*	*			
*	*	*			



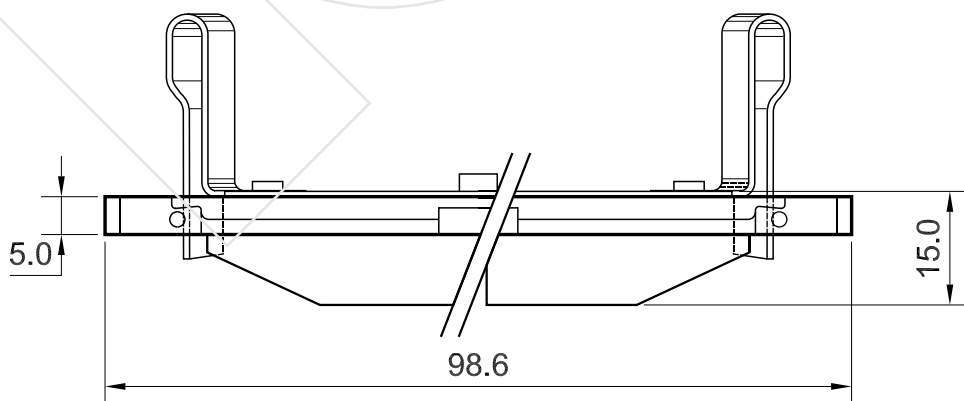
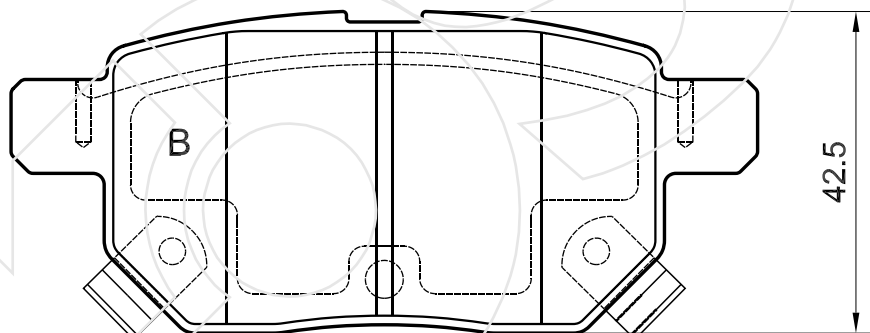
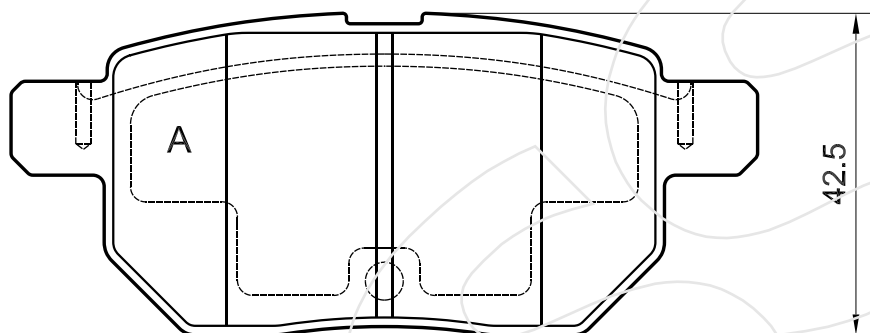
Reference in this Catalogue to other manufactures and to part numbers and other descriptions are for identification purposes only, because the above DISC BRAKE PADS are NOT ORIGINAL but with these interchangeable.

CODICE	IMPIANTO		ASSE	SCALA	APPLICAZIONI
<b>R-1484</b>	ATE		POSTERIORE	100%	JAGUAR
CODICE COMPONENTI	N°	L(mm)	SERIE		
A0000	2	*	2 PEZZI TIPO A		
A0000+M0000	2+2	*	2 PEZZI TIPO B		
*	*	*	*		
*	*	*	*		
CODICE ACCESSORI	N°	L(mm)	NOTE		
*	*	*			
*	*	*			
*	*	*			
*	*	*			



Reference in this Catalogue to other manufactures and to part numbers and other descriptions are for identification purposes only, because the above DISC BRAKE PADS are NOT ORIGINAL but with these interchangeable.

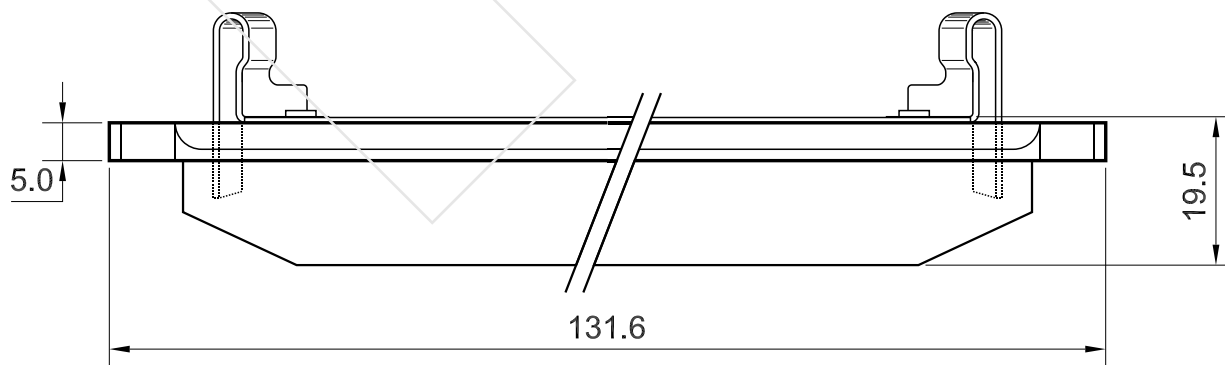
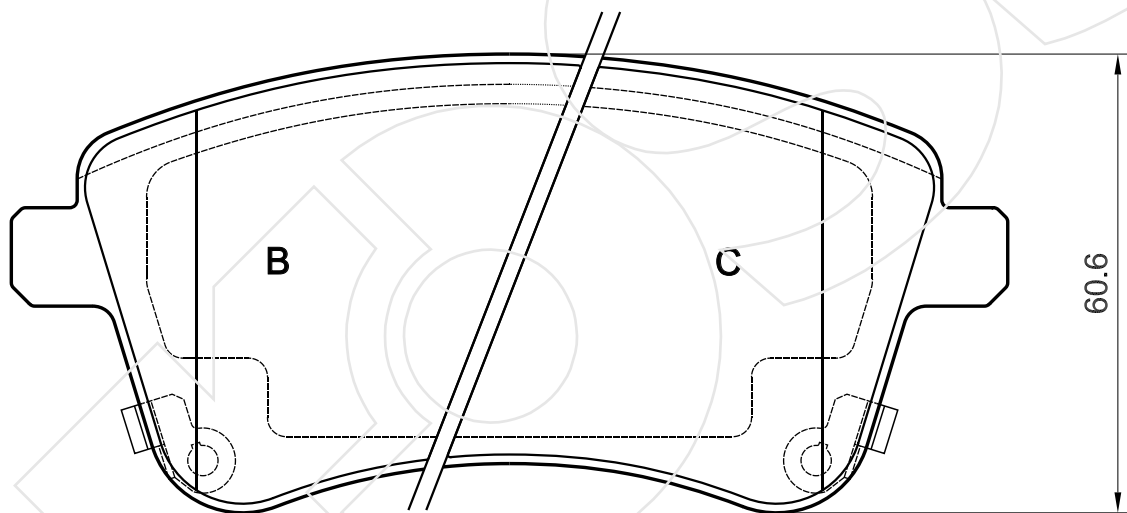
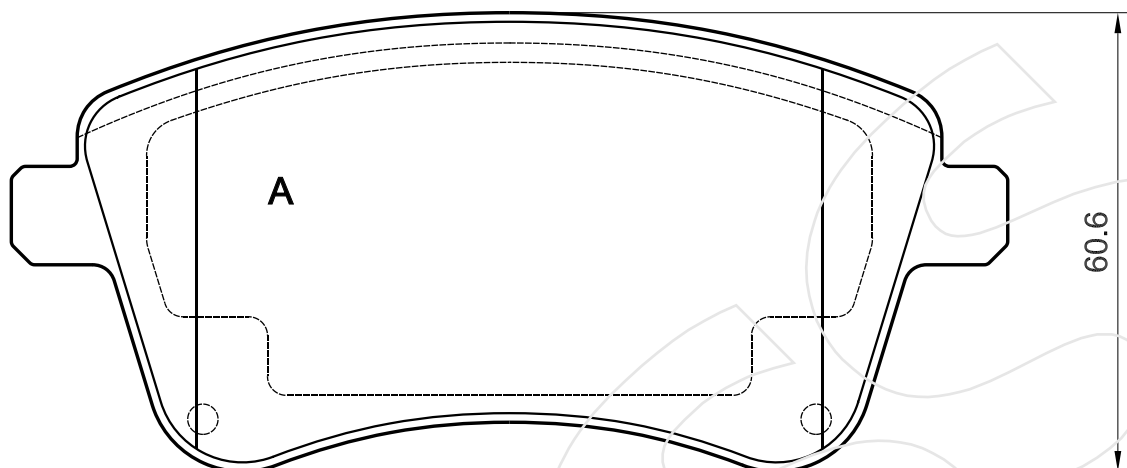
CODICE	IMPIANTO		ASSE	SCALA	APPLICAZIONI
<b>R-1485</b>	AKEBONO		POSTERIORE	100%	LEXUS TOYOTA
CODICE COMPONENTI	N°	L(mm)	SERIE		
A0000	2	*	2 PEZZI TIPO A		
A0000+M0000	2+2	*	2 PEZZI TIPO B		
*	*	*	*		
*	*	*	*		
CODICE ACCESSORI	N°	L(mm)	NOTE		
*	*	*			
*	*	*			
*	*	*			
*	*	*			



Reference in this Catalogue to other manufactures and to part numbers and other descriptions are for identification purposes only, because the above DISC BRAKE PADS are NOT ORIGINAL but with these interchangeable.

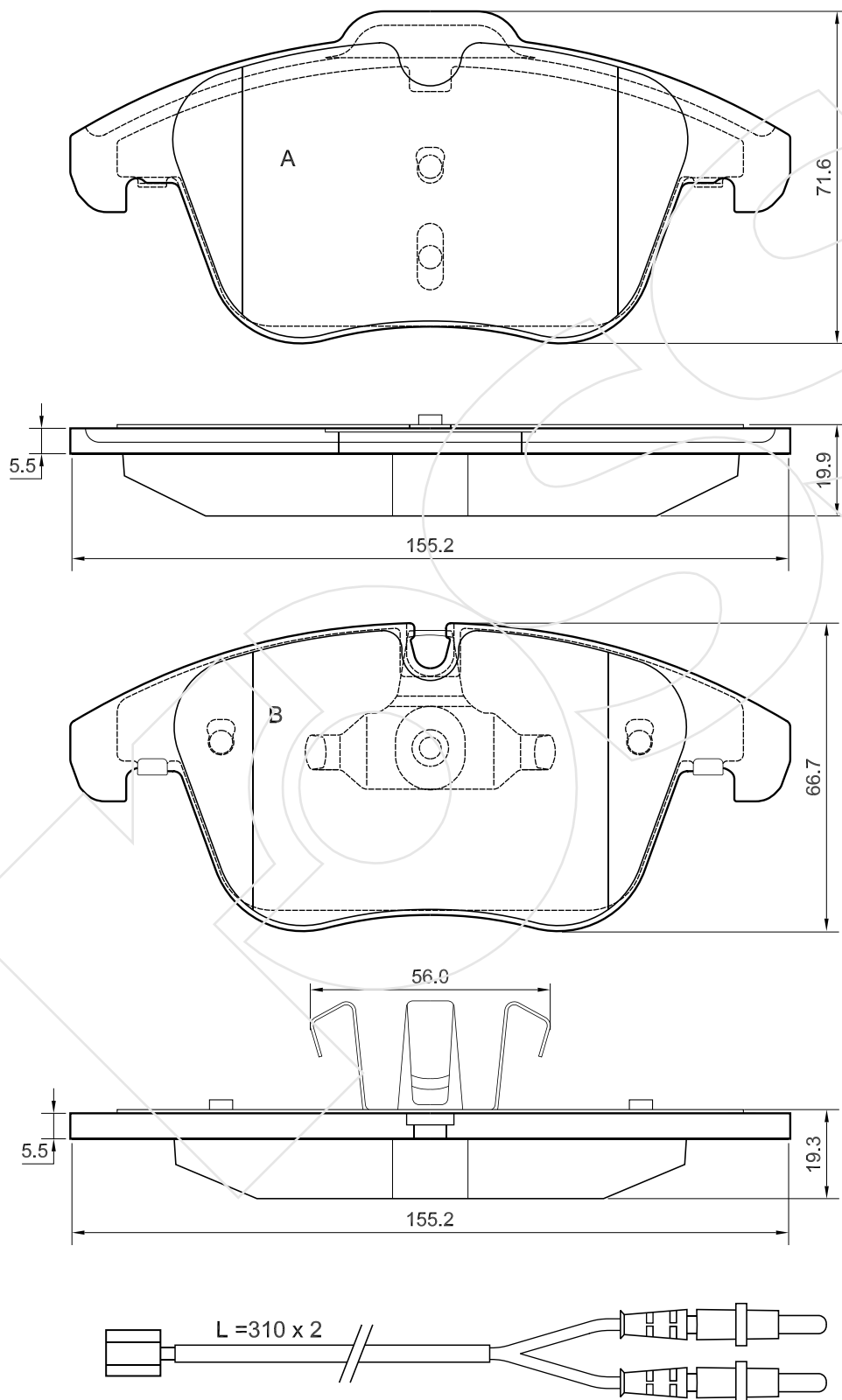
CODICE	IMPIANTO		ASSE	SCALA	APPLICAZIONI
<b>R-1486</b>	TRW		ANTERIORE	100%	HYUNDAI
CODICE COMPONENTI	N°	L(mm)	SERIE		
A0000	2	*	2 PEZZI TIPO A		
A0000+M0000	1+1	*	1 PEZZO TIPO B		
A0000+M0000	1+1	*	1 PEZZO TIPO C		
*	*	*	*		
CODICE ACCESSORI	N°	L(mm)	NOTE		
*	*	*			
*	*	*			
*	*	*			
*	*	*			

KIA



Reference in this Catalogue to other manufactures and to part numbers and other descriptions are for identification purposes only, because the above DISC BRAKE PADS are NOT ORIGINAL but with these interchangeable.

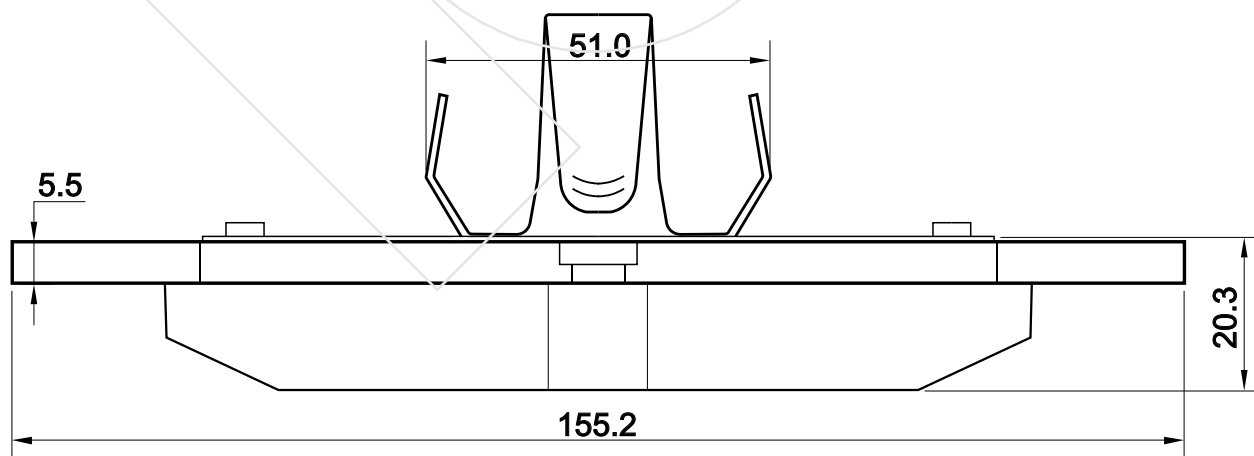
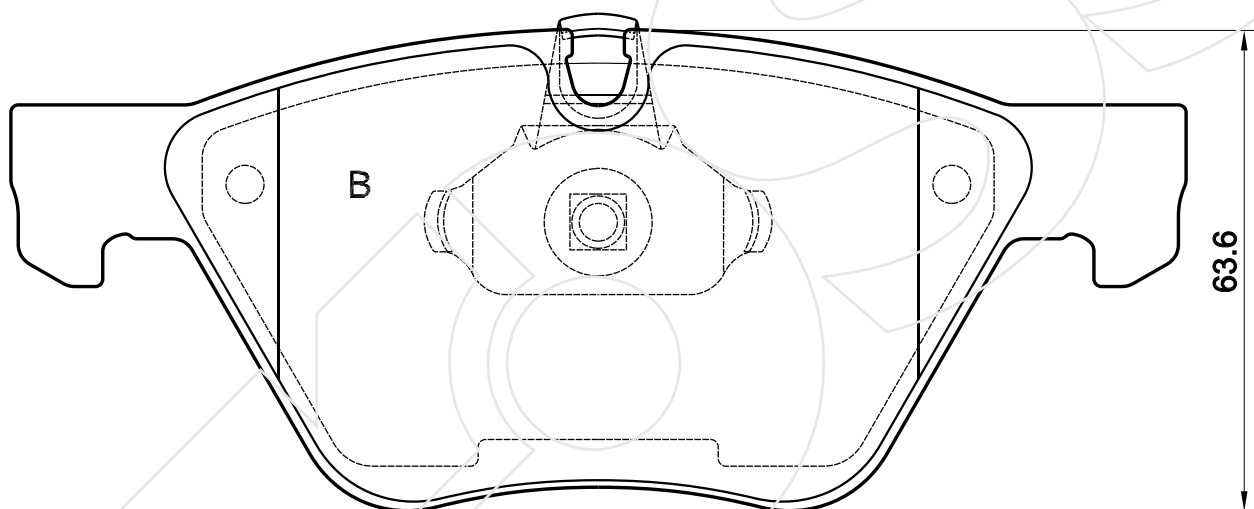
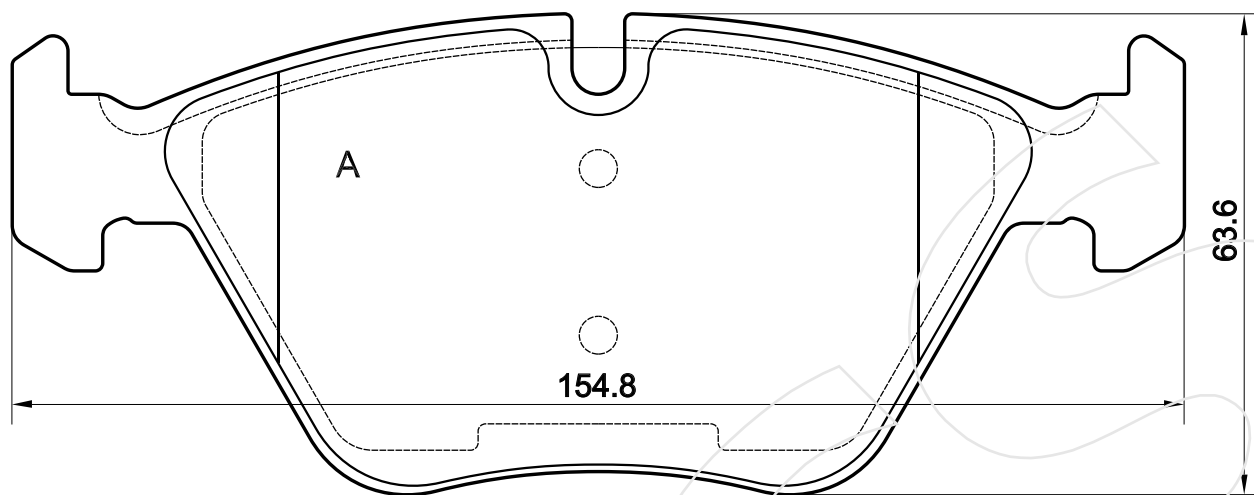
CODICE	IMPIANTO		ASSE	SCALA	APPLICAZIONI
<b>R-1487</b>	ATE		ANTERIORE	70%	CITROEN
CODICE COMPONENTI	N°	L(mm)	SERIE		
A0000	2	*	2 PEZZI TIPO A		
A0000+M0176+F0000	2+2+2	310	2 PEZZI TIPO B		
*	*	*	*		
*	*	*	*		
CODICE ACCESSORI	N°	L(mm)	NOTE		
*	*	*			
*	*	*			
*	*	*			
*	*	*			



Reference in this Catalogue to other manufactures and to part numbers and other descriptions are for identification purposes only, because the above DISC BRAKE PADS are NOT ORIGINAL but with these interchangeable.

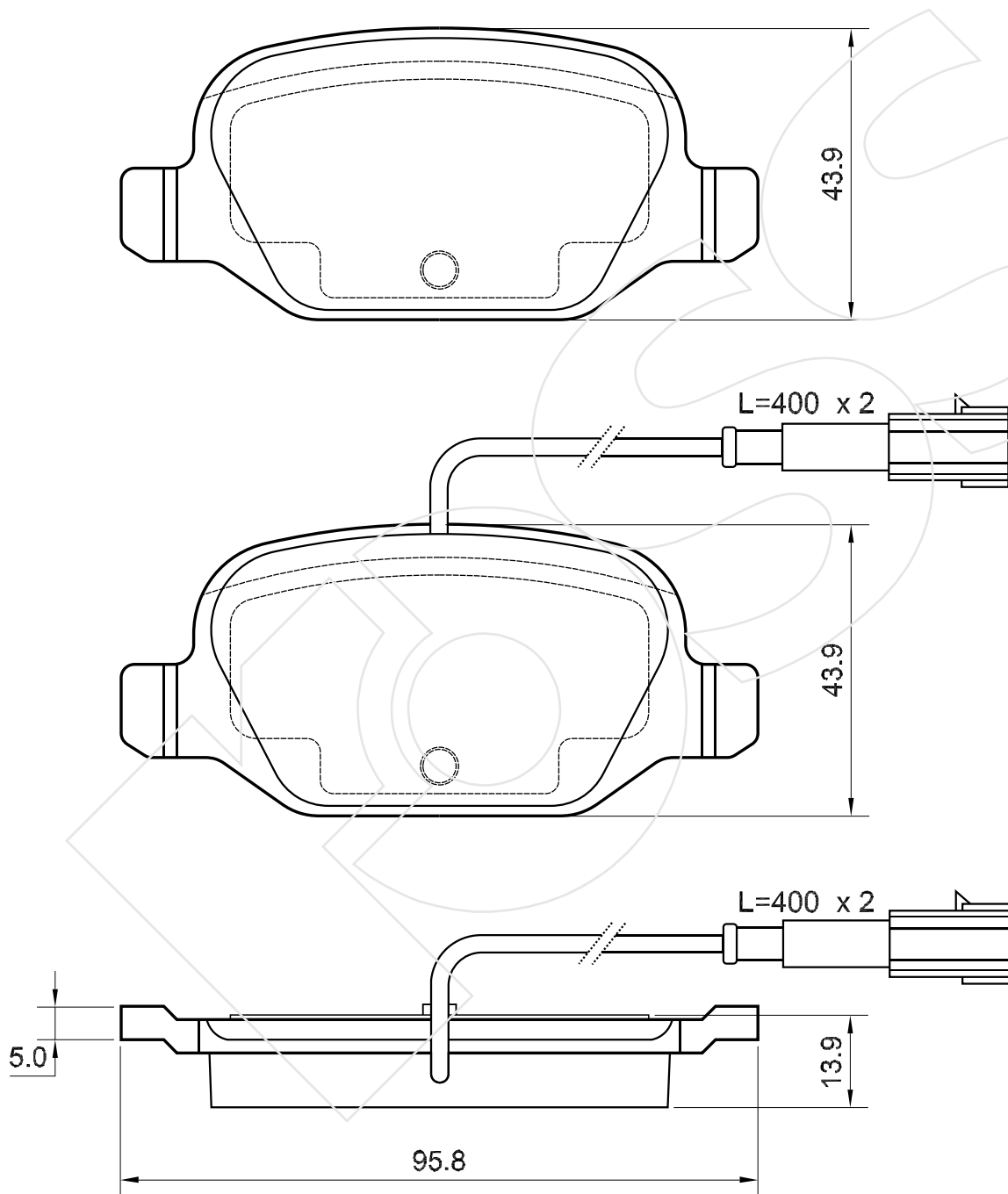


CODICE	IMPIANTO	ASSE	SCALA	APPLICAZIONI
<b>R-1488</b>	ATE	ANTERIORE	100%	BMW
CODICE COMPONENTI	N°	L(mm)	SERIE	
A0000	2	*	2 PEZZI TIPO A	
A0000+M0144	2+2	*	2 PEZZI TIPO B	
*	*	*	*	
*	*	*	*	
CODICE ACCESSORI	N°	L(mm)	NOTE	
*	*	*		
*	*	*		
*	*	*		
*	*	*		



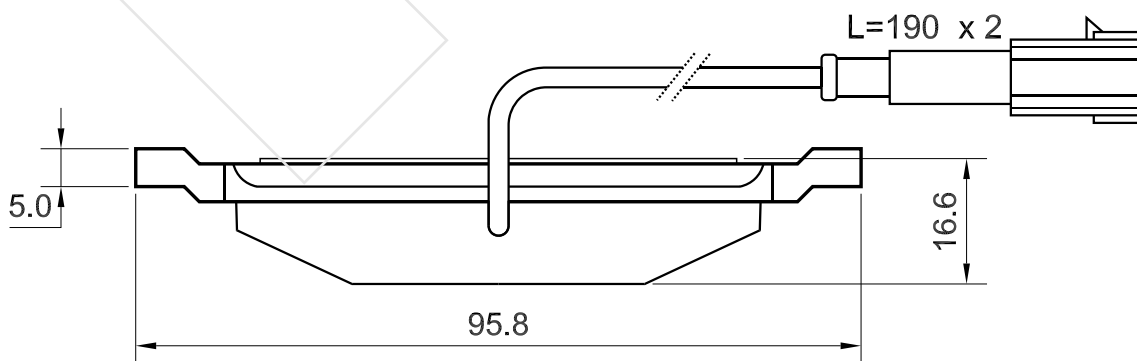
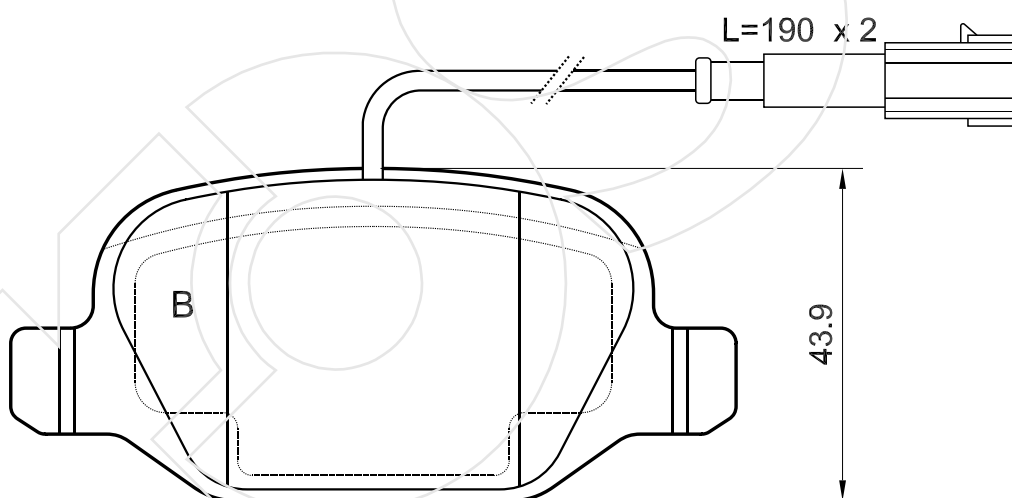
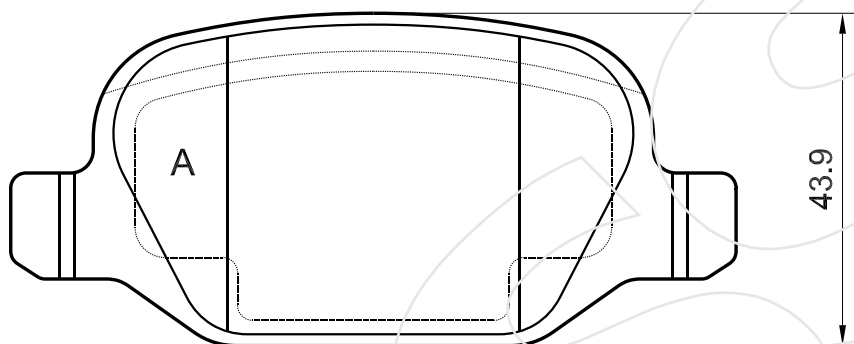
Reference in this Catalogue to other manufactures and to part numbers and other descriptions are for identification purposes only, because the above DISC BRAKE PADS are NOT ORIGINAL but with these interchangeable.

CODICE	IMPIANTO		ASSE	SCALA	APPLICAZIONI
<b>R-1489</b>	TRW		POSTERIORE	100%	FIAT
CODICE COMPONENTI	N°	L(mm)	SERIE		
A0000	2	*	2 PEZZI TIPO A		
A0000+F3171	2+2	400	2 PEZZI TIPO B		
*	*	*	*		
*	*	*	*		
CODICE ACCESSORI	N°	L(mm)	NOTE		
*	*	*			
*	*	*			
*	*	*			
*	*	*			



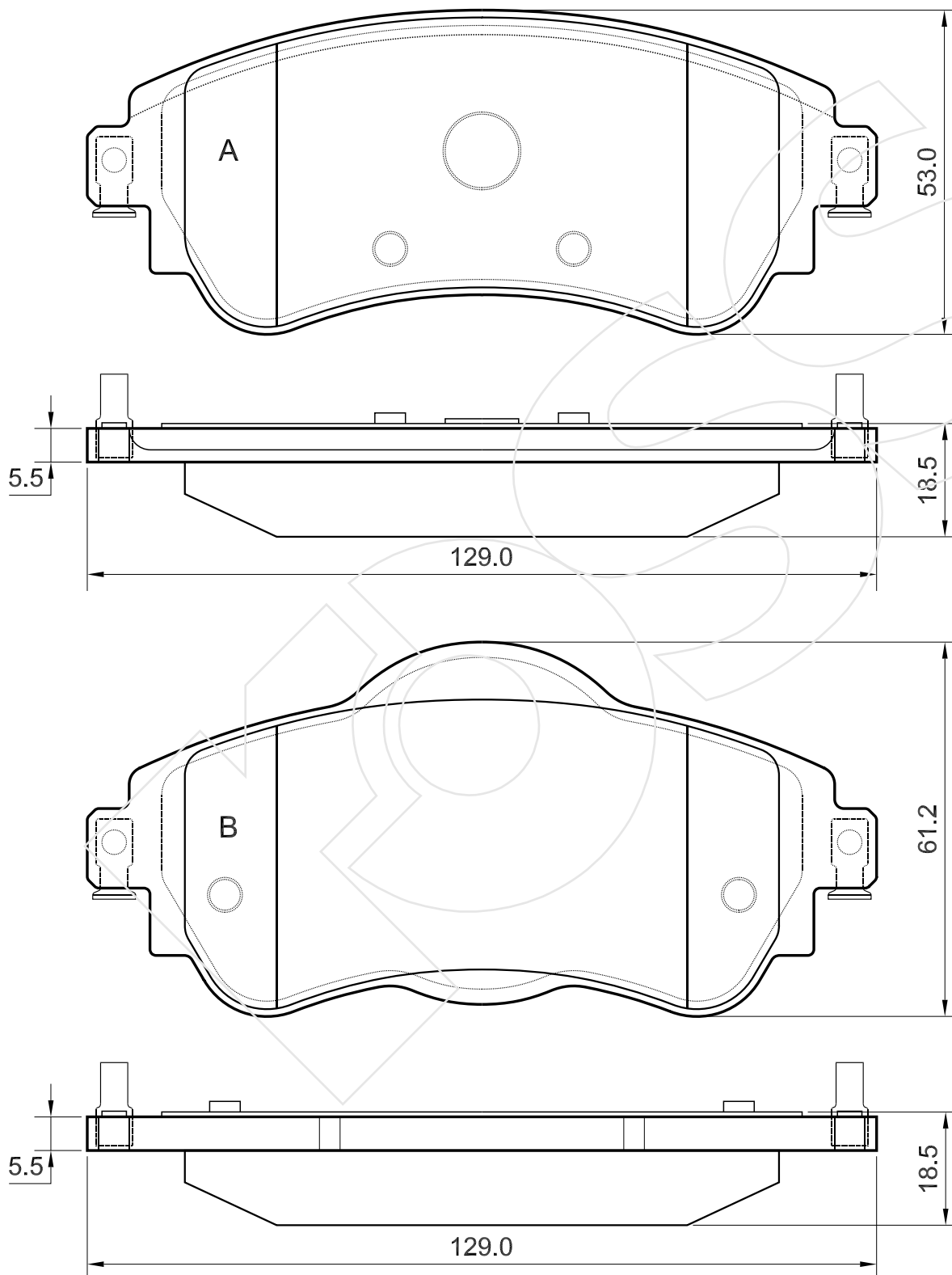
Reference in this Catalogue to other manufactures and to part numbers and other descriptions are for identification purposes only, because the above DISC BRAKE PADS are NOT ORIGINAL but with these interchangeable.

CODICE	IMPIANTO	ASSE	SCALA	APPLICAZIONI
<b>R-1490</b>	TRW	POSTERIORE	100%	ALFA ROMEO
CODICE COMPONENTI	N°	L(mm)	SERIE	
A0000	2	*	2 PEZZI TIPO A	
A0000+ F3019	2+2	190	2 PEZZI TIPO B	
*	*	*	*	
*	*	*	*	
CODICE ACCESSORI	N°	L(mm)	NOTE	
*	*	*		
*	*	*		
*	*	*		
*	*	*		



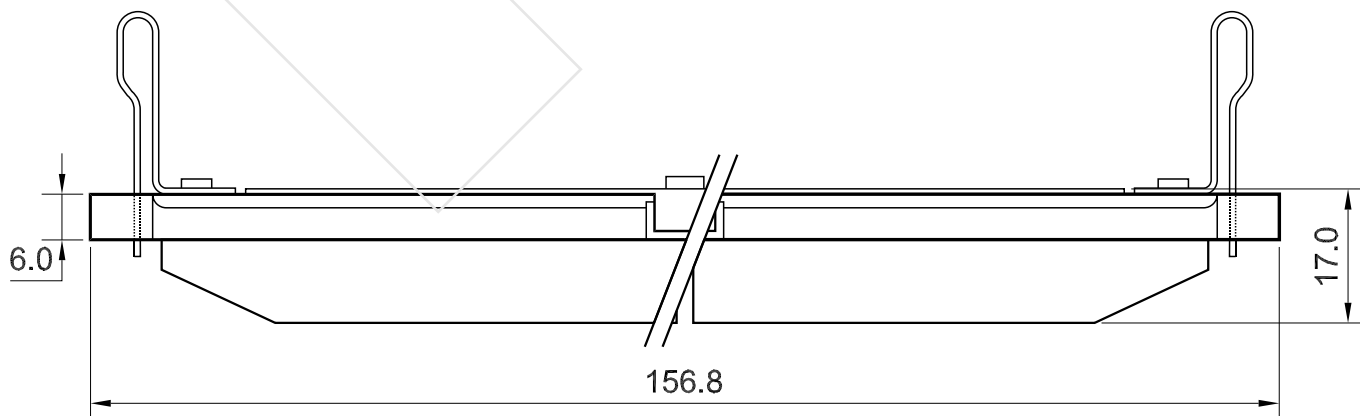
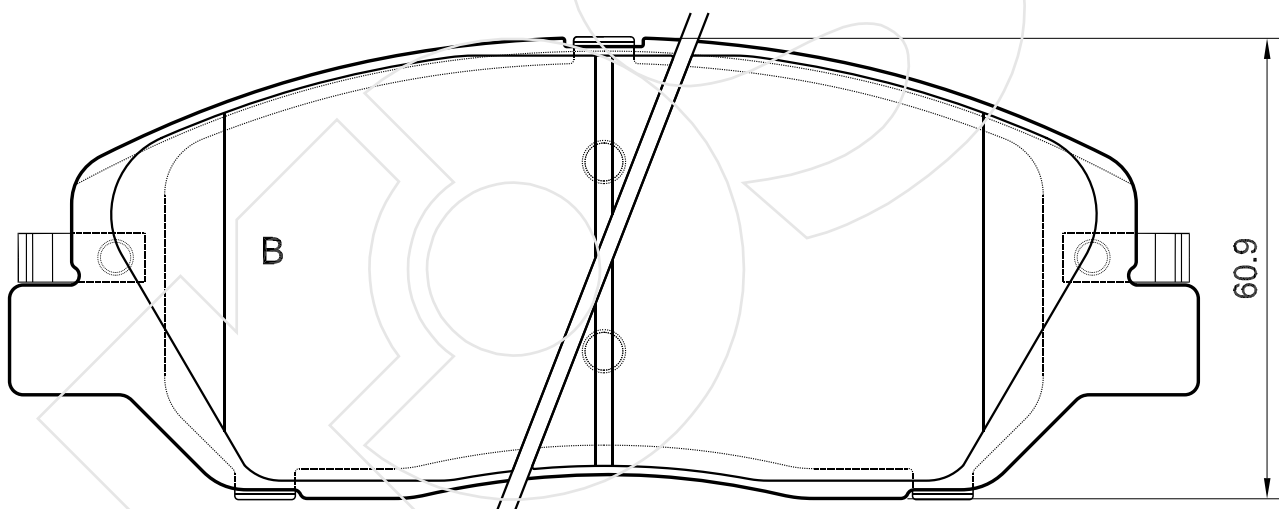
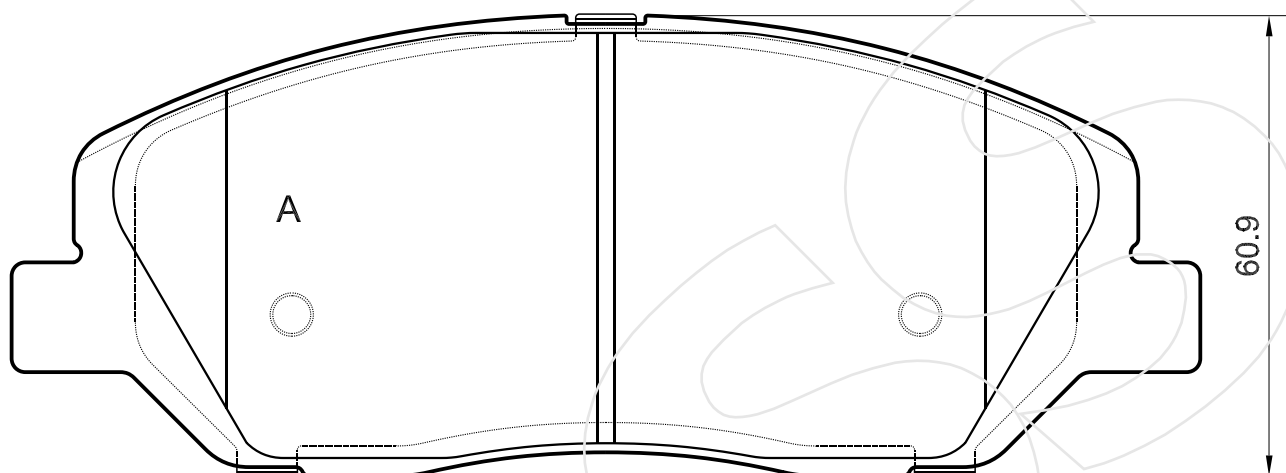
Reference in this Catalogue to other manufactures and to part numbers and other descriptions are for identification purposes only, because the above DISC BRAKE PADS are NOT ORIGINAL but with these interchangeable.

CODICE	IMPIANTO		ASSE	SCALA	APPLICAZIONI
<b>R-1491</b>	TRW		ANTERIORE	100%	CITROEN
CODICE COMPONENTI	N°	L(mm)	SERIE		
A0000+M0000	2+4	*	2 PEZZI TIPO A		
A0000+M0000	2+4	*	2 PEZZI TIPO B		
*	*	*	*		
*	*	*	*		
CODICE ACCESSORI	N°	L(mm)	NOTE		
*	*	*			
*	*	*			
*	*	*			
*	*	*			



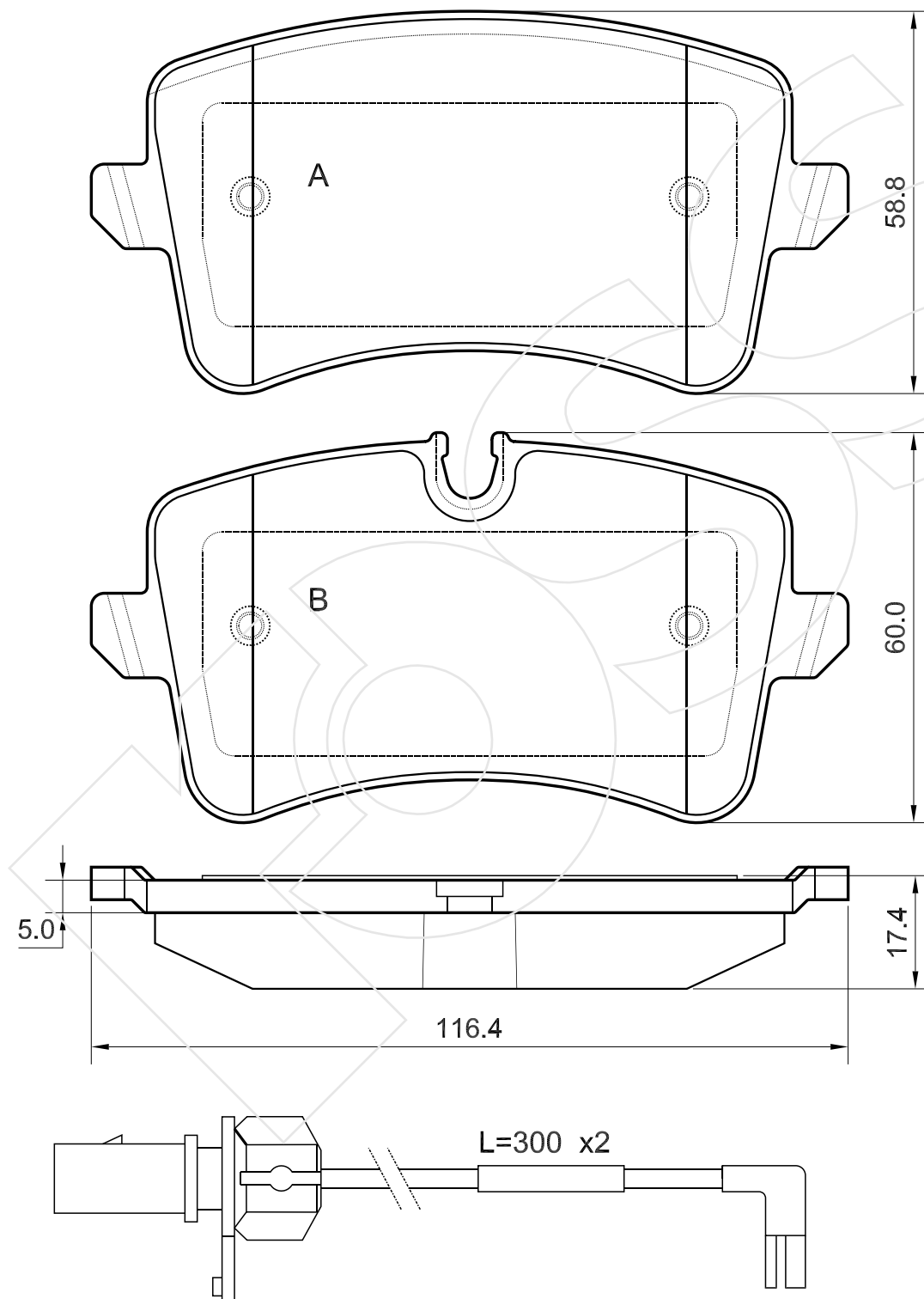
Reference in this Catalogue to other manufactures and to part numbers and other descriptions are for identification purposes only, because the above DISC BRAKE PADS are NOT ORIGINAL but with these interchangeable.

CODICE	IMPIANTO		ASSE	SCALA	APPLICAZIONI
<b>R-1492</b>	MANDO		ANTERIORE	100%	SSANGYONG
CODICE COMPONENTI	N°	L(mm)	SERIE		
A098	2	*	2 PEZZI TIPO A		
A099+M0069	2+2	*	2 PEZZI TIPO B		
*	*	*	*		
*	*	*	*		
CODICE ACCESSORI	N°	L(mm)	NOTE		
*	*	*			
*	*	*			
*	*	*			
*	*	*			



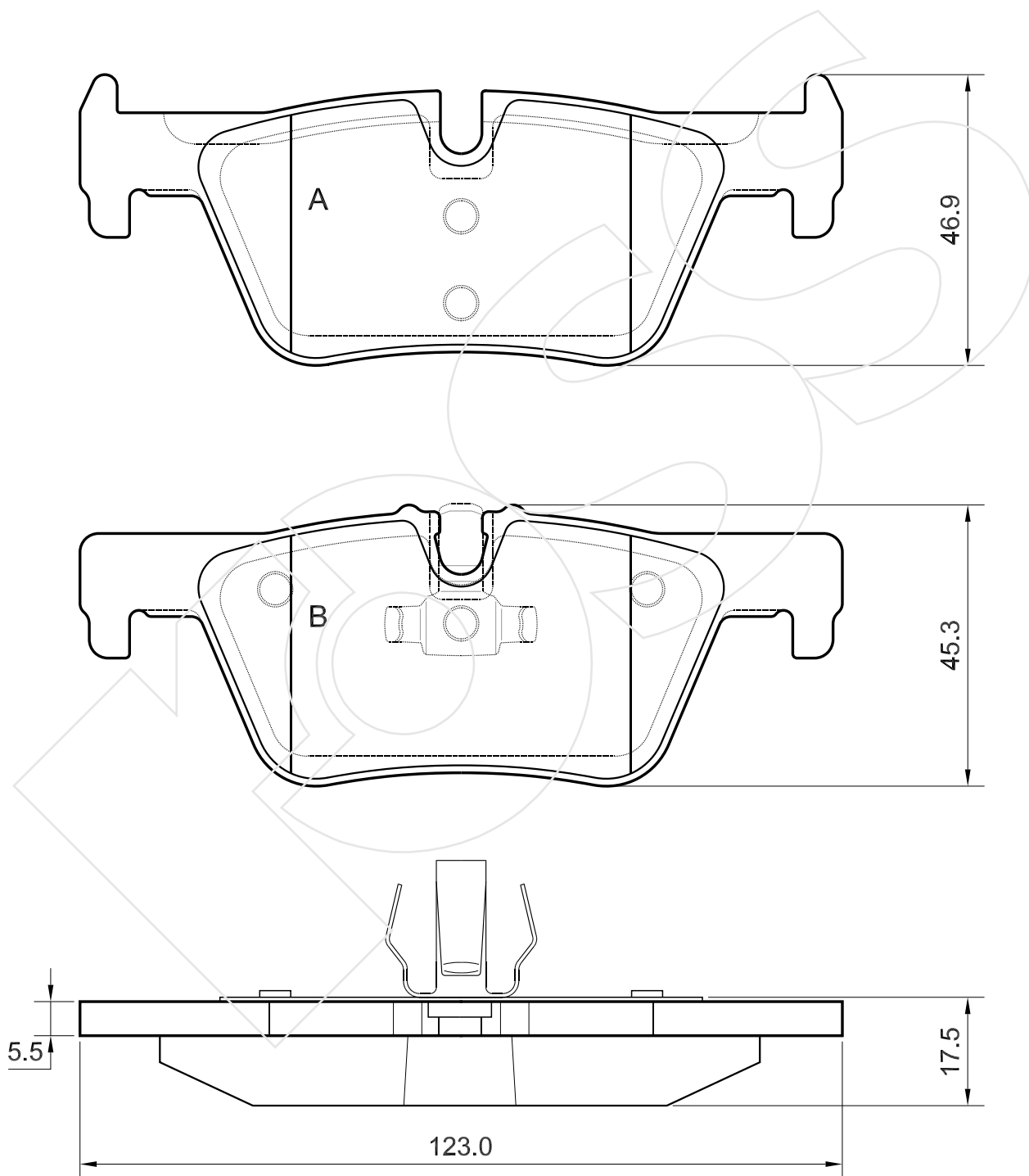
Reference in this Catalogue to other manufactures and to part numbers and other descriptions are for identification purposes only, because the above DISC BRAKE PADS are NOT ORIGINAL but with these interchangeable.

CODICE	IMPIANTO		ASSE	SCALA	APPLICAZIONI
<b>R-1493</b>	TRW		POSTERIORE	100%	AUDI
CODICE COMPONENTI	N°	L(mm)	SERIE		
A140	2	*	2 PEZZI TIPO A		
A140+F3173	2+2	300	2 PEZZI TIPO B		
*	*	*	*		
*	*	*	*		
CODICE ACCESSORI	N°	L(mm)	NOTE		
*	*	*			
*	*	*			
*	*	*			
*	*	*			



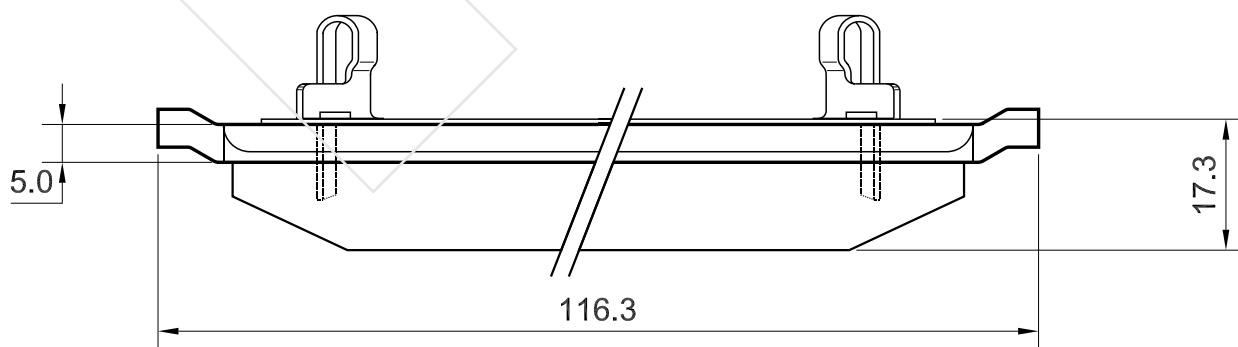
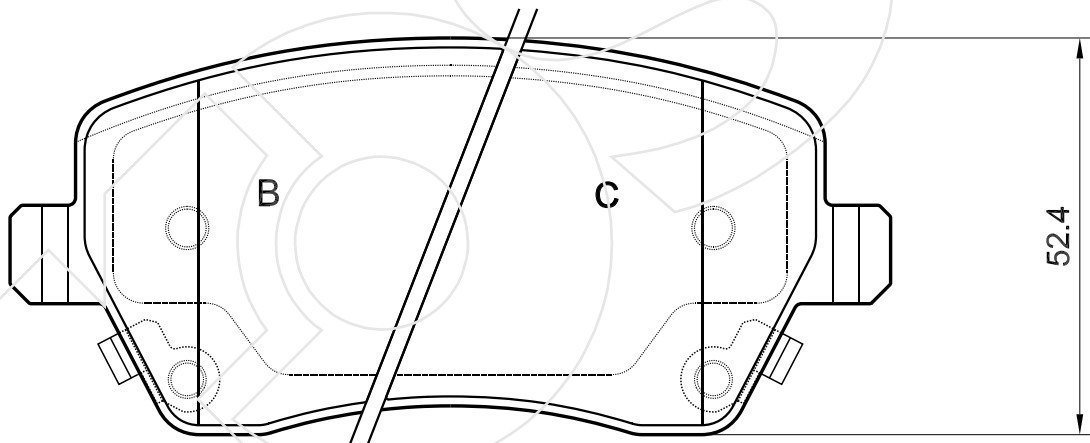
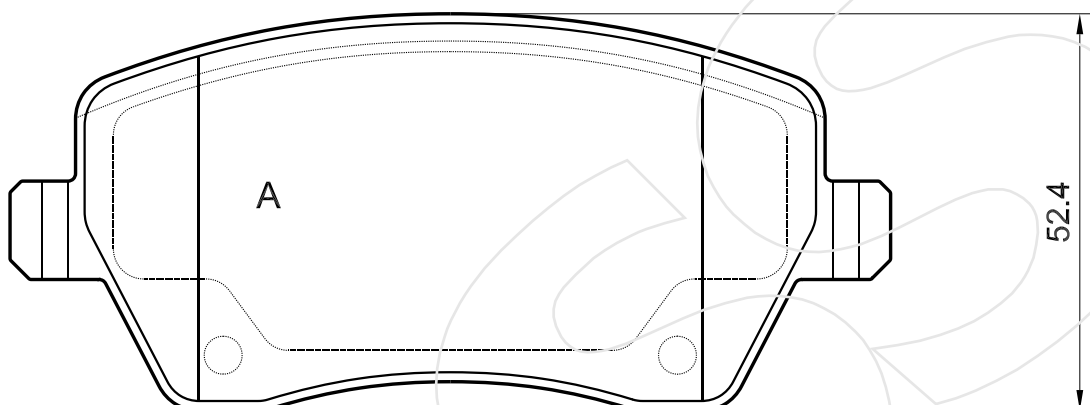
Reference in this Catalogue to other manufactures and to part numbers and other descriptions are for identification purposes only, because the above DISC BRAKE PADS are NOT ORIGINAL but with these interchangeable.

CODICE	IMPIANTO		ASSE	SCALA	APPLICAZIONI
<b>R-1494</b>	ATE		POSTERIORE	100%	BMW
CODICE COMPONENTI	N°	L(mm)	SERIE		
A0000	2	*	2 PEZZI TIPO A		
A0000+M0000	2+2	*	2 PEZZI TIPO B		
*	*	*	*		
*	*	*	*		
CODICE ACCESSORI	N°	L(mm)	NOTE		
*	*	*			
*	*	*			
*	*	*			
*	*	*			



Reference in this Catalogue to other manufactures and to part numbers and other descriptions are for identification purposes only, because the above DISC BRAKE PADS are NOT ORIGINAL but with these interchangeable.

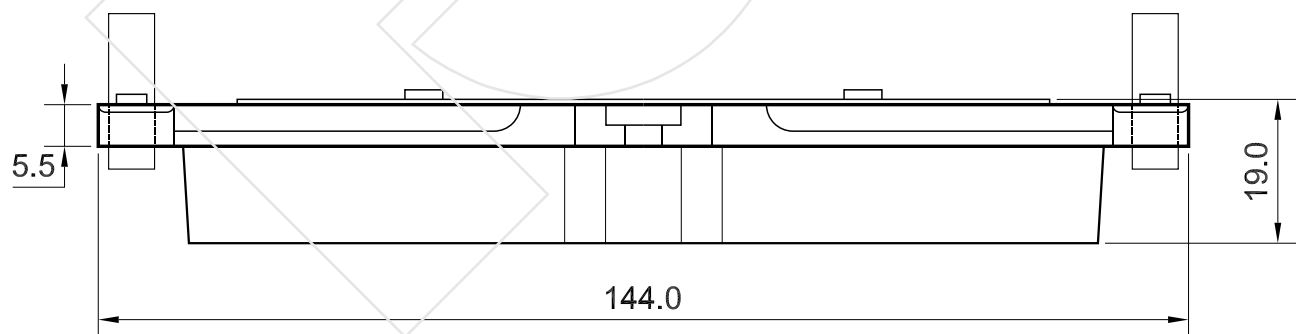
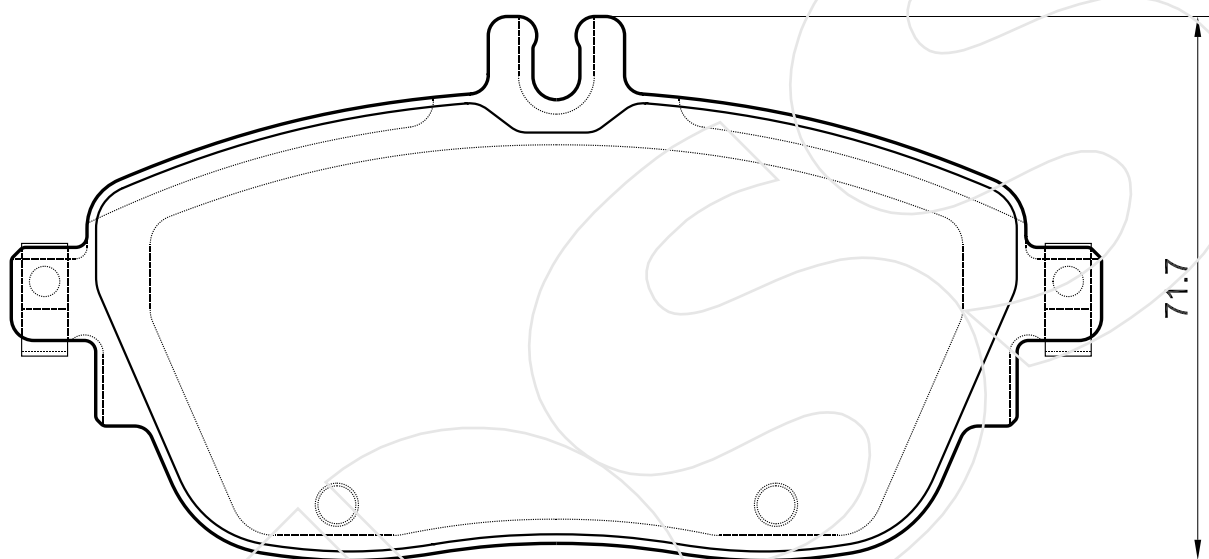
CODICE	IMPIANTO		ASSE	SCALA	APPLICAZIONI
<b>R-1495</b>	TRW		ANTERIORE	100%	NISSAN
CODICE COMPONENTI	N°	L(mm)	SERIE		
A0000	2	*	2 PEZZI TIPO A		
A0000+M094	1+1	*	1 PEZZO TIPO B		
A0000+M095	1+1	*	1 PEZZO TIPO C		
*	*	*	*		
CODICE ACCESSORI	N°	L(mm)	NOTE		
*	*	*			
*	*	*			
*	*	*			
*	*	*			



Reference in this Catalogue to other manufactures and to part numbers and other descriptions are for identification purposes only, because the above DISC BRAKE PADS are NOT ORIGINAL but with these interchangeable.

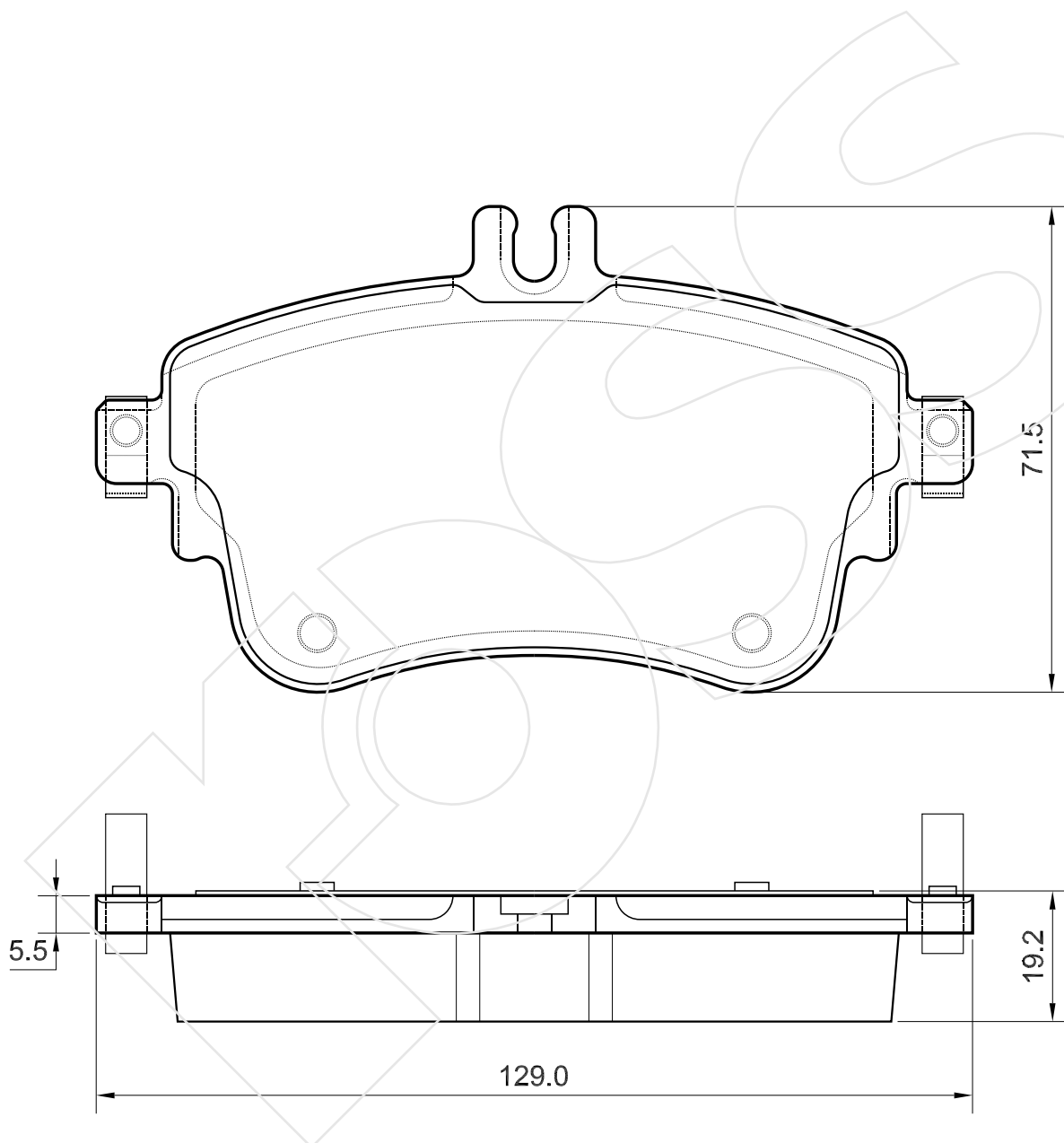


CODICE	IMPIANTO		ASSE	SCALA	APPLICAZIONI
<b>R-1496</b>	TRW		ANTERIORE	100%	MERCEDES
CODICE COMPONENTI	N°	L(mm)	SERIE		
A0000+M0000	4+4	*	4 PEZZI		
*	*	*	*		
*	*	*	*		
*	*	*	*		
CODICE ACCESSORI	N°	L(mm)	NOTE		
*	*	*			
*	*	*			
*	*	*			
*	*	*			



Reference in this Catalogue to other manufactures and to part numbers and other descriptions are for identification purposes only, because the above DISC BRAKE PADS are NOT ORIGINAL but with these interchangeable.

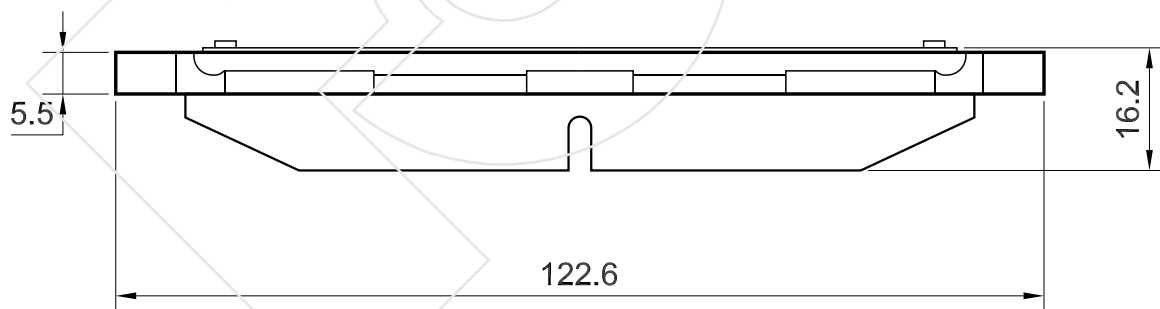
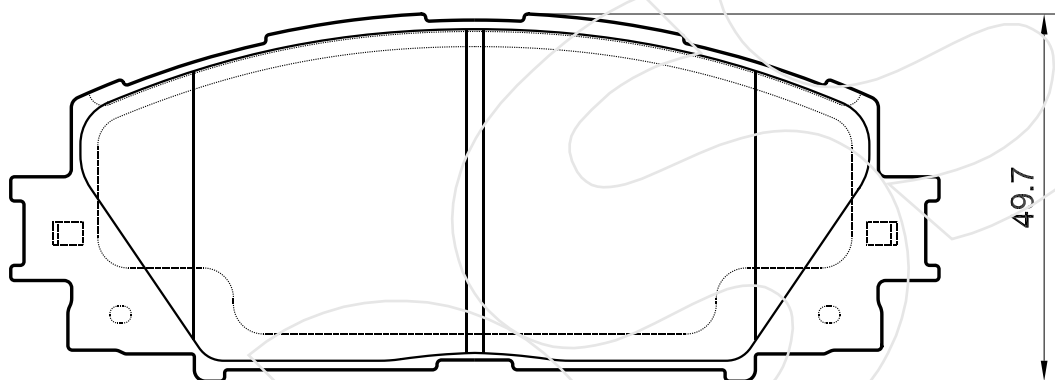
CODICE	IMPIANTO		ASSE	SCALA	APPLICAZIONI
<b>R-1497</b>	TRW		ANTERIORE	100%	MERCEDES
CODICE COMPONENTI	N°	L(mm)	SERIE		
A0000+M0000	4+8	*	4 PEZZI		
*	*	*	*		
*	*	*	*		
*	*	*	*		
CODICE ACCESSORI	N°	L(mm)	NOTE		
*	*	*			
*	*	*			
*	*	*			
*	*	*			



Reference in this Catalogue to other manufactures and to part numbers and other descriptions are for identification purposes only, because the above DISC BRAKE PADS are NOT ORIGINAL but with these interchangeable.

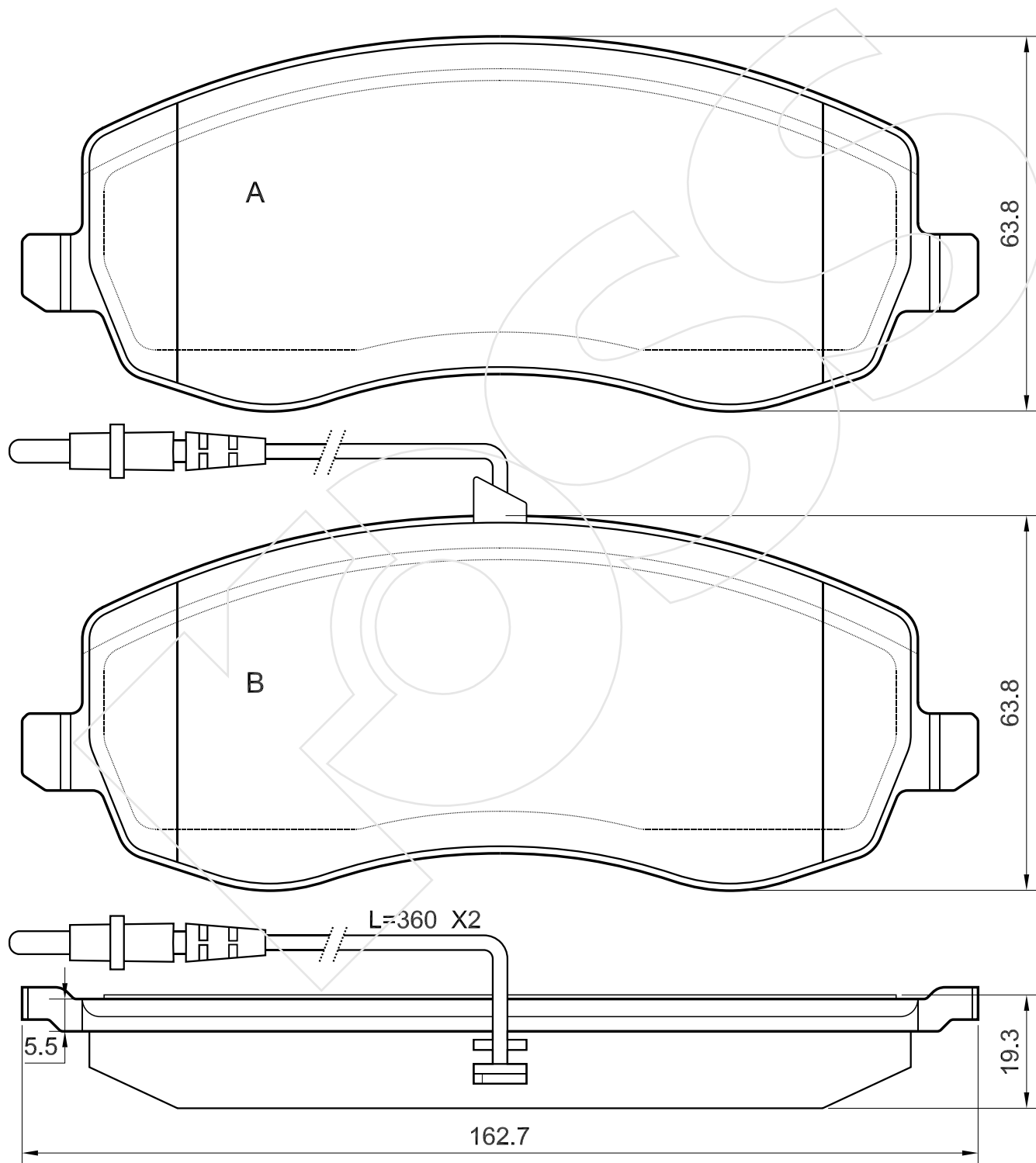
CODICE	IMPIANTO		ASSE	SCALA	APPLICAZIONI
<b>R-1498</b>	AKEBONO		ANTERIORE	100%	TOYOTA
CODICE COMPONENTI	N°	L(mm)	SERIE		
A333	4	*	4 PEZZI		
*	*	*	*		
*	*	*	*		
*	*	*	*		
CODICE ACCESSORI	N°	L(mm)	NOTE		
*	*	*			
*	*	*			
*	*	*			
*	*	*			

LEXUS



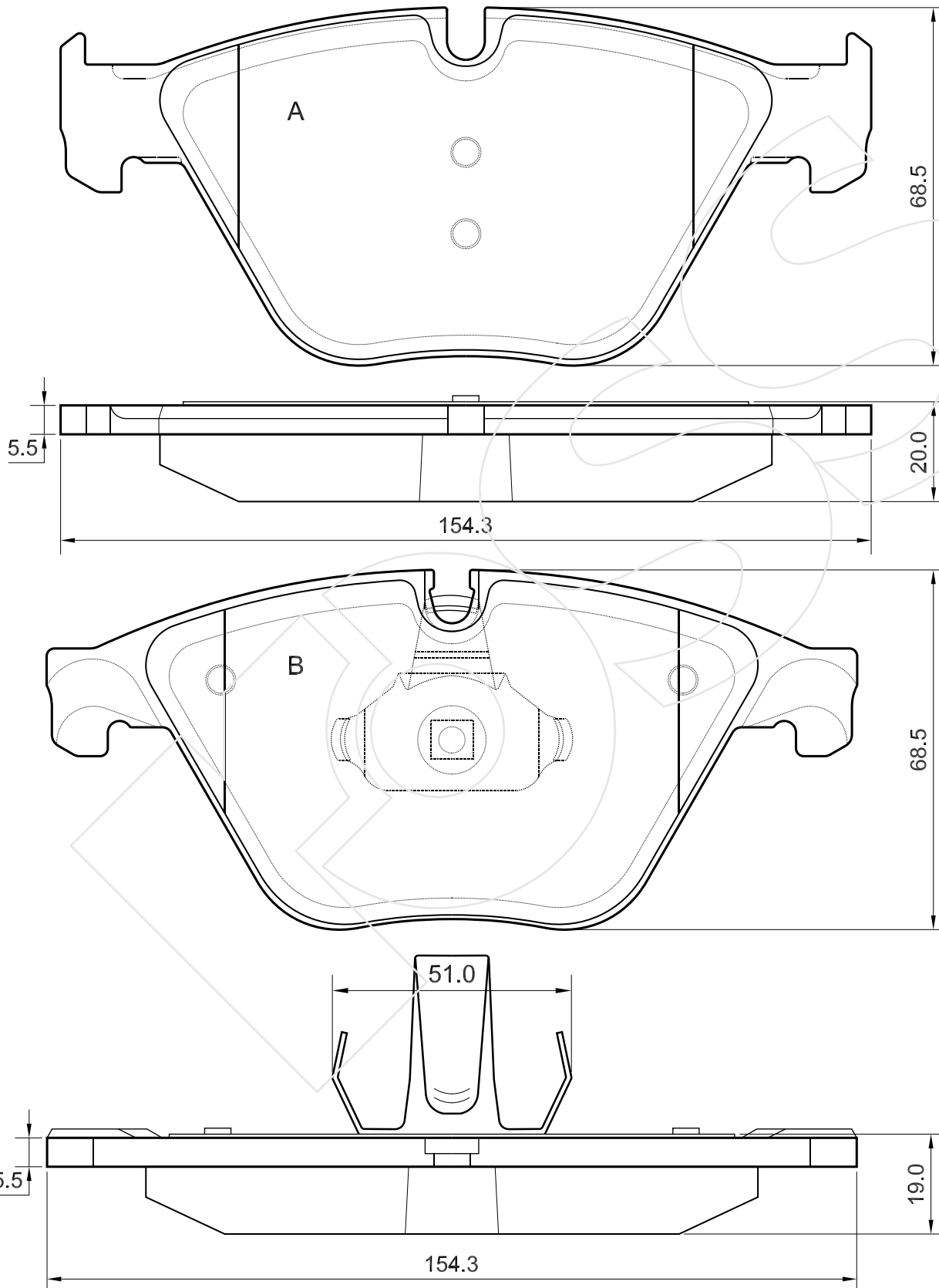
Reference in this Catalogue to other manufactures and to part numbers and other descriptions are for identification purposes only, because the above DISC BRAKE PADS are NOT ORIGINAL but with these interchangeable.

CODICE	IMPIANTO		ASSE	SCALA	APPLICAZIONI
<b>R-1499</b>	TRW		ANTERIORE	100%	CITROEN
CODICE COMPONENTI	N°	L(mm)	SERIE		FIAT
A0000	2	*	2 PEZZI TIPO A		LANCIA
A0000+F3172	2+2	360	2 PEZZI TIPO B		PEUGEOT
*	*	*	*		
*	*	*	*		
CODICE ACCESSORI	N°	L(mm)	NOTE		
*	*	*			
*	*	*			
*	*	*			
*	*	*			



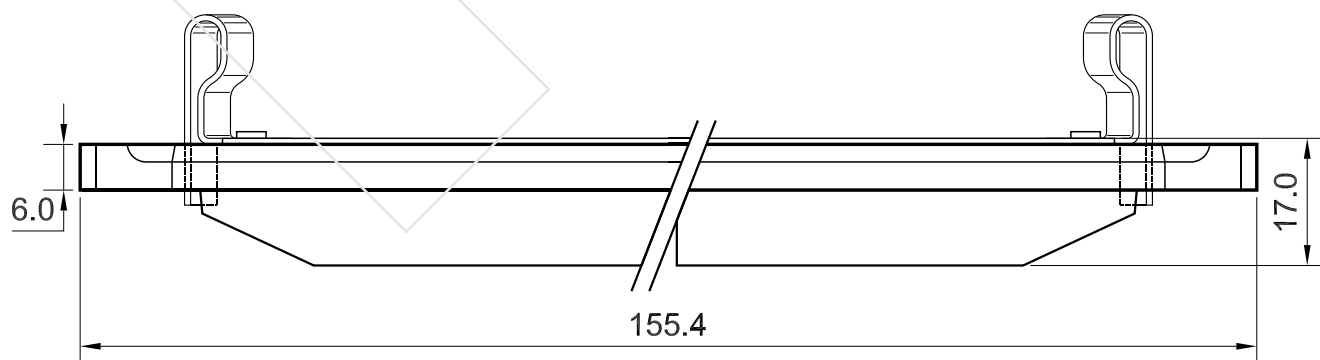
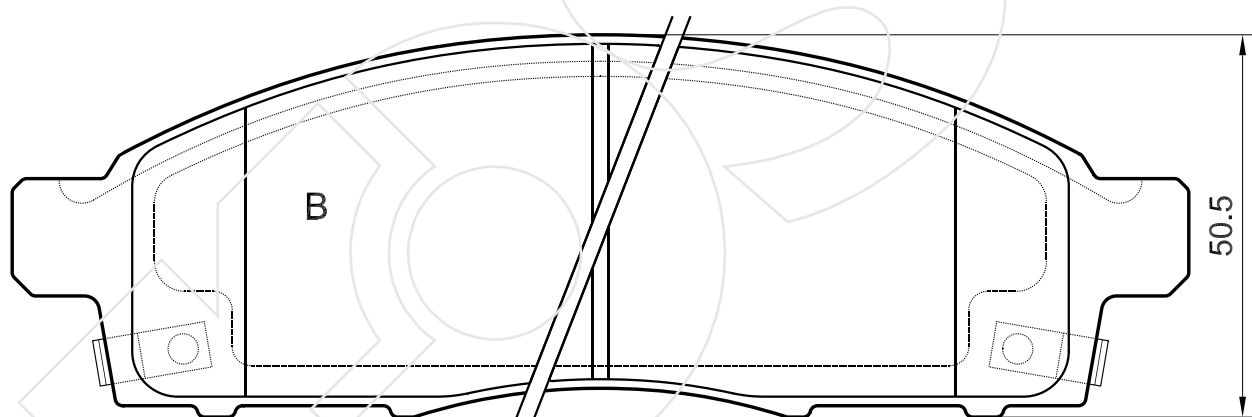
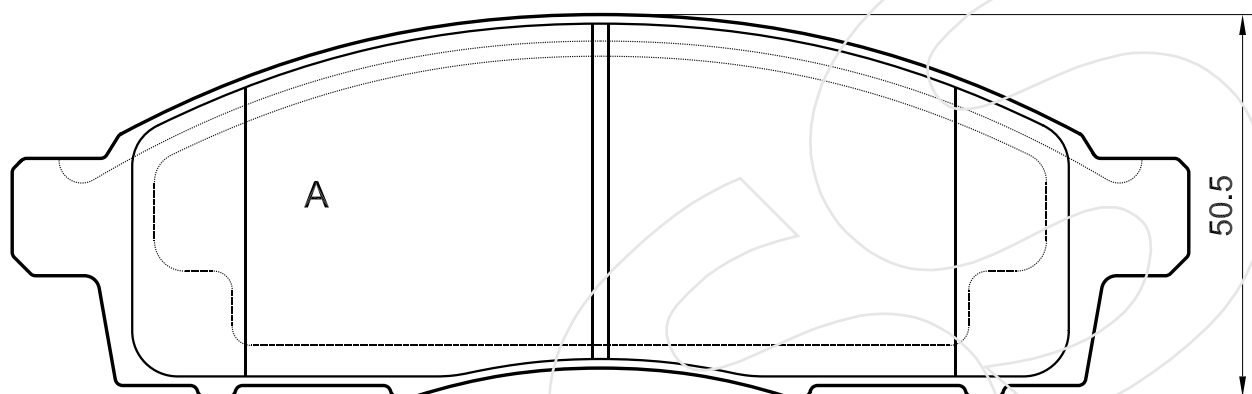
Reference in this Catalogue to other manufactures and to part numbers and other descriptions are for identification purposes only, because the above DISC BRAKE PADS are NOT ORIGINAL but with these interchangeable.

CODICE	IMPIANTO		ASSE	SCALA	APPLICAZIONI
<b>R-1500</b>	ATE		ANTERIORE	90%	BMW
CODICE COMPONENTI	N°	L(mm)	SERIE		
A0000	2	*	2 PEZZI TIPO A		
A0000+M0144	2+2	*	2 PEZZI TIPO B		
*	*	*	*		
*	*	*	*		
CODICE ACCESSORI	N°	L(mm)	NOTE		
*	*	*			
*	*	*			
*	*	*			
*	*	*			



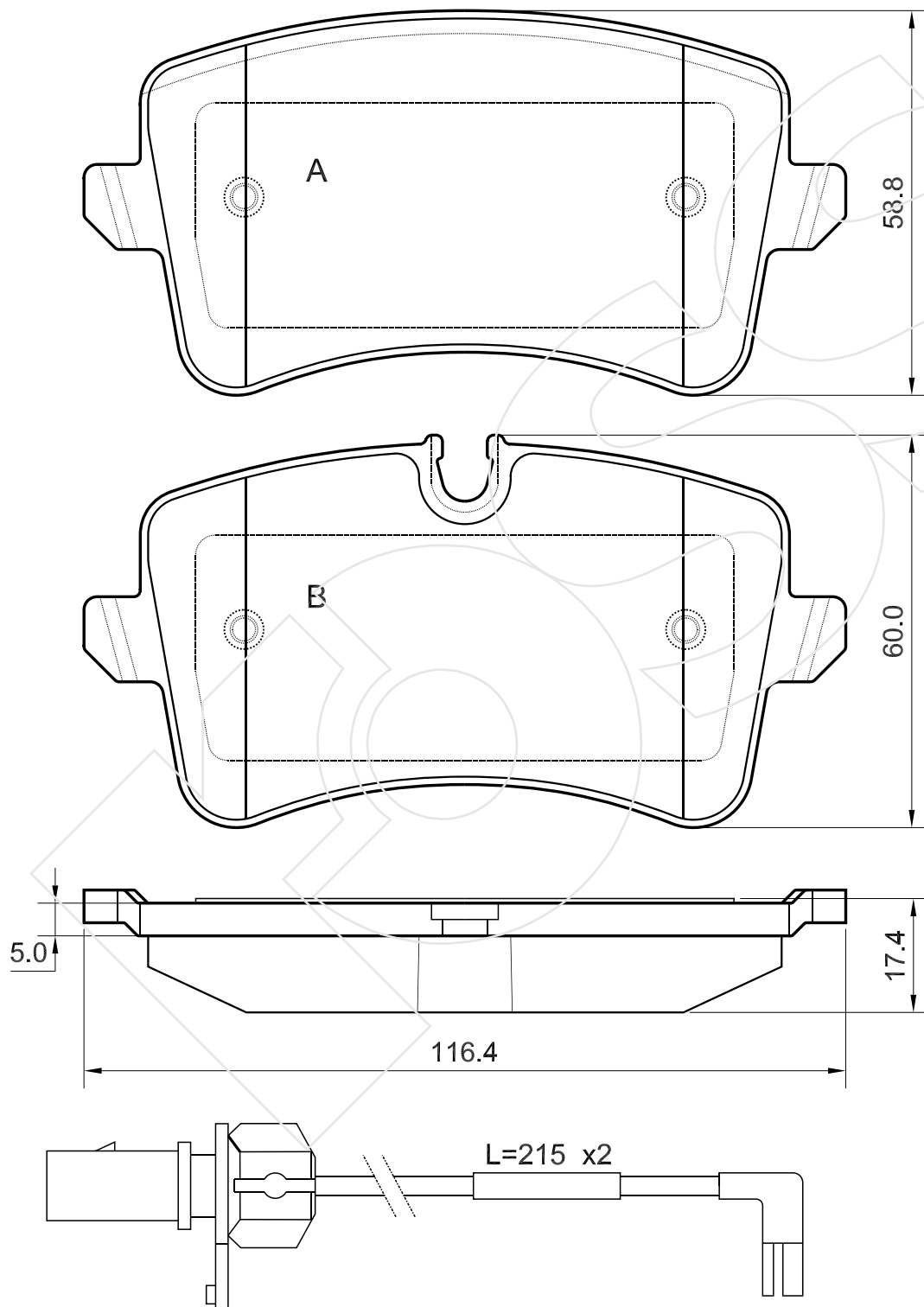
Reference in this Catalogue to other manufactures and to part numbers and other descriptions are for identification purposes only, because the above DISC BRAKE PADS are NOT ORIGINAL but with these interchangeable.

CODICE	IMPIANTO		ASSE	SCALA	APPLICAZIONI
<b>R-1501</b>	TKO		ANTERIORE	100%	NISSAN
CODICE COMPONENTI	N°	L(mm)	SERIE		
A0000	2	*	2 PEZZI TIPO A		
A0000+M0000	2+2	*	2 PEZZI TIPO B		
*	*	*	*		
*	*	*	*		
CODICE ACCESSORI	N°	L(mm)	NOTE		
*	*	*			
*	*	*			
*	*	*			
*	*	*			



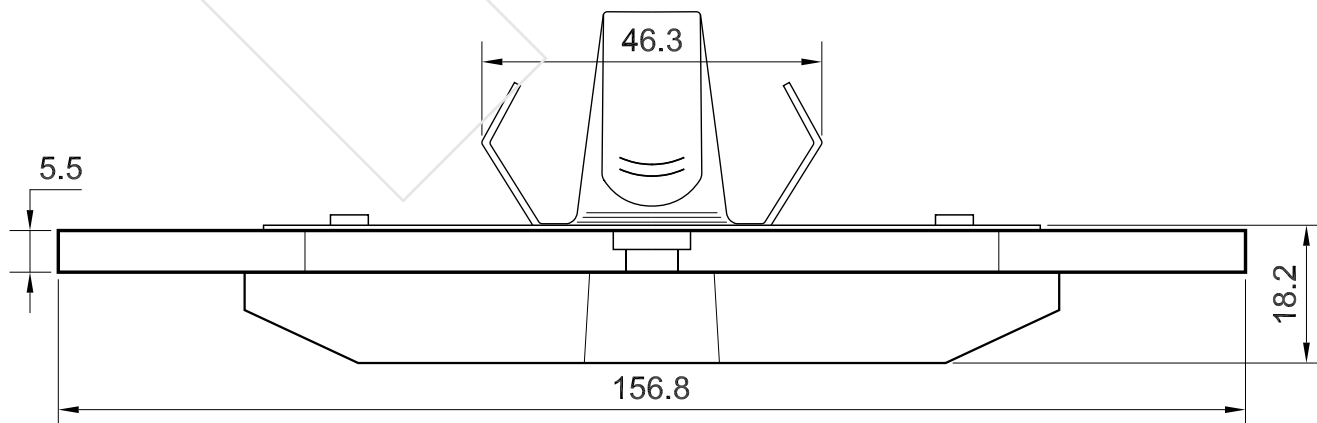
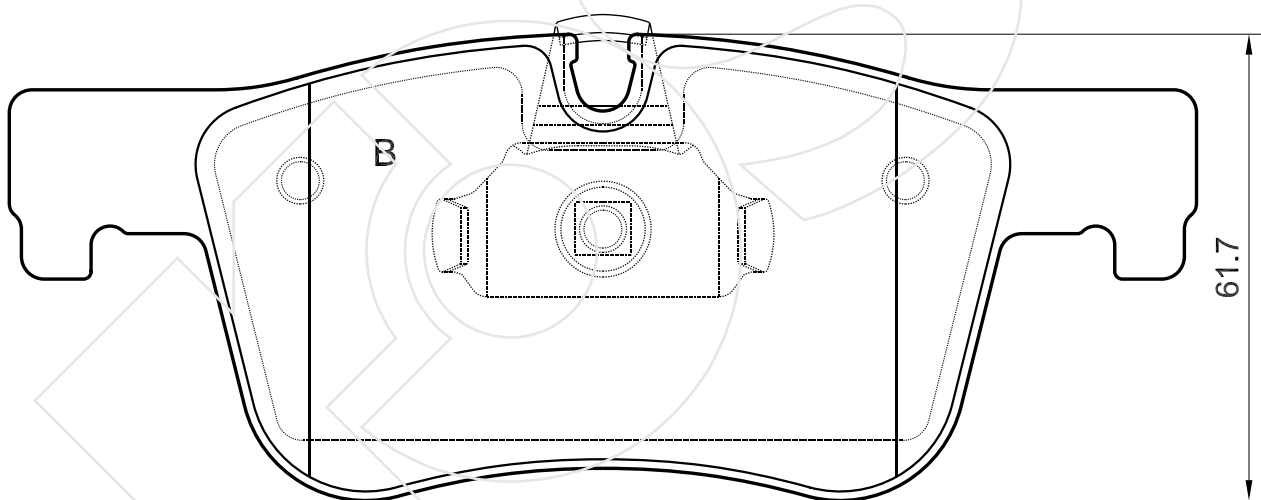
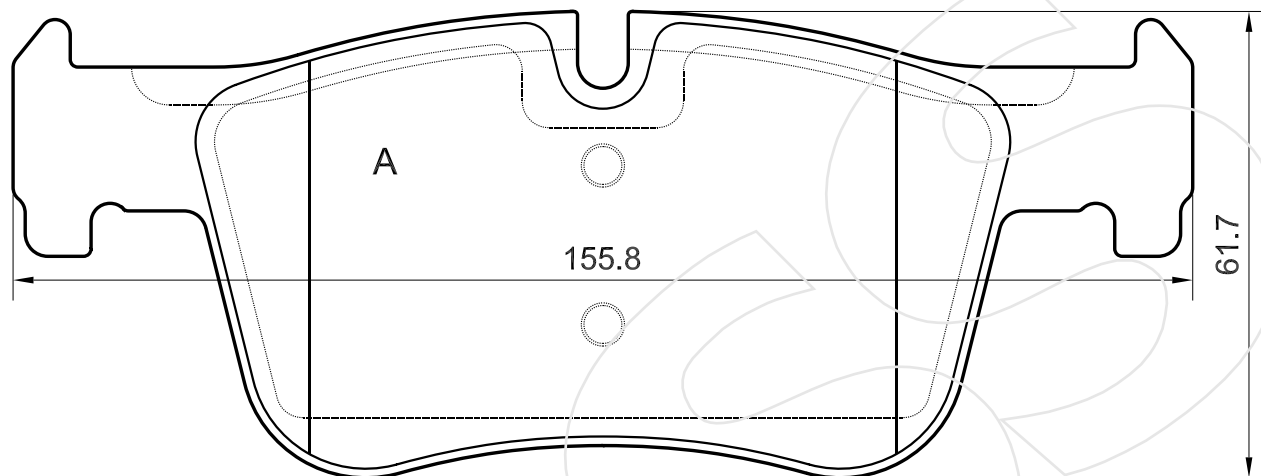
Reference in this Catalogue to other manufactures and to part numbers and other descriptions are for identification purposes only, because the above DISC BRAKE PADS are NOT ORIGINAL but with these interchangeable.

CODICE	IMPIANTO		ASSE	SCALA	APPLICAZIONI
<b>R-1502</b>	TRW		POSTERIORE	100%	AUDI
CODICE COMPONENTI	N°	L(mm)	SERIE		
A140	2	*	2 PEZZI TIPO A		
A140 +F3176	2+1	215	2 PEZZI TIPO B		
*	*	*	*		
*	*	*	*		
CODICE ACCESSORI	N°	L(mm)	NOTE		
*	*	*			
*	*	*			
*	*	*			
*	*	*			



Reference in this Catalogue to other manufactures and to part numbers and other descriptions are for identification purposes only, because the above DISC BRAKE PADS are NOT ORIGINAL but with these interchangeable.

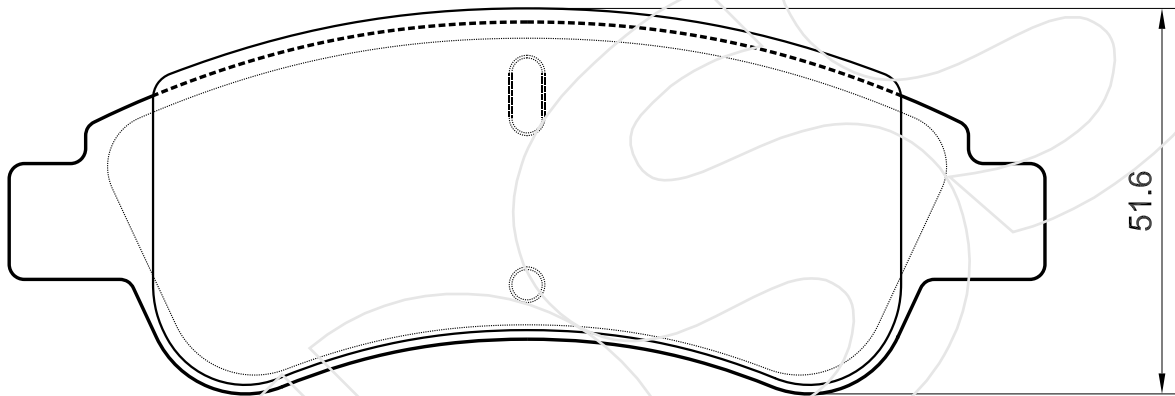
CODICE	IMPIANTO	ASSE	SCALA	APPLICAZIONI
<b>R-1503</b>	ATE	ANTERIORE	100%	BMW
CODICE COMPONENTI	N°	L(mm)	SERIE	
A0000	2	*	2 PEZZI TIPO A	
A0000+M0000	2+2	*	2 PEZZI TIPO B	
*	*	*	*	
*	*	*	*	
CODICE ACCESSORI	N°	L(mm)	NOTE	
*	*	*		
*	*	*		
*	*	*		
*	*	*		



Reference in this Catalogue to other manufactures and to part numbers and other descriptions are for identification purposes only, because the above DISC BRAKE PADS are NOT ORIGINAL but with these interchangeable.

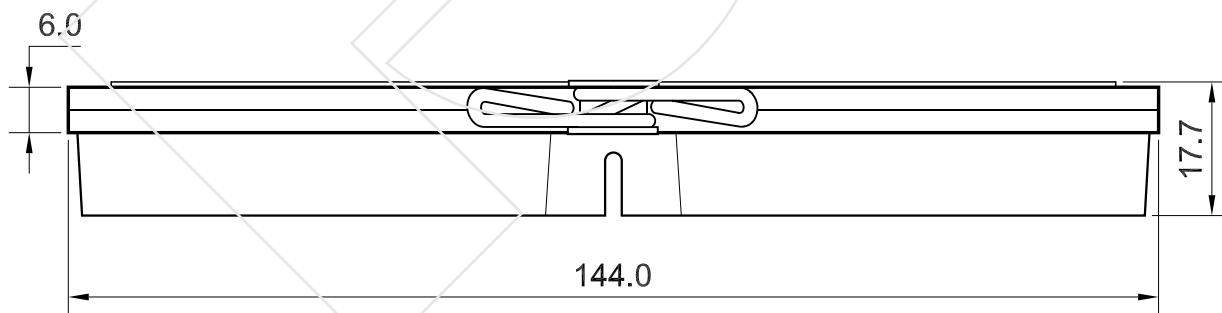
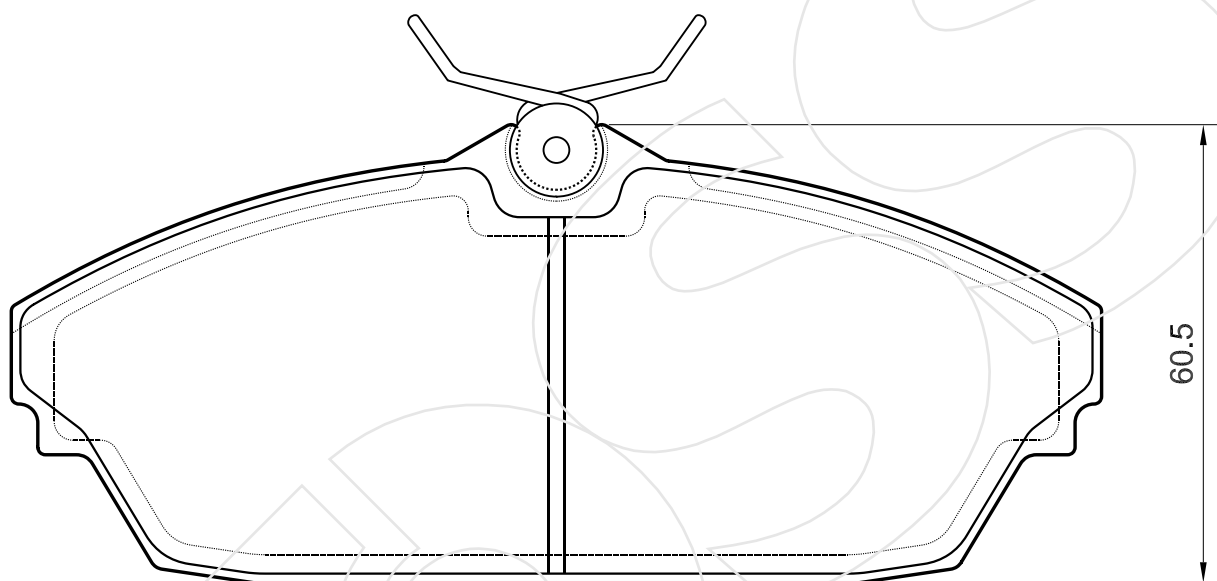


CODICE	IMPIANTO		ASSE	SCALA	APPLICAZIONI
<b>R-1504</b>	BOSCH		ANTERIORE	100%	CITROEN
CODICE COMPONENTI	N°	L(mm)	SERIE		
A033	4	*	4 PEZZI		
*	*	*	*		
*	*	*	*		
*	*	*	*		
CODICE ACCESSORI	N°	L(mm)	NOTE		
*	*	*			
*	*	*			
*	*	*			
*	*	*			



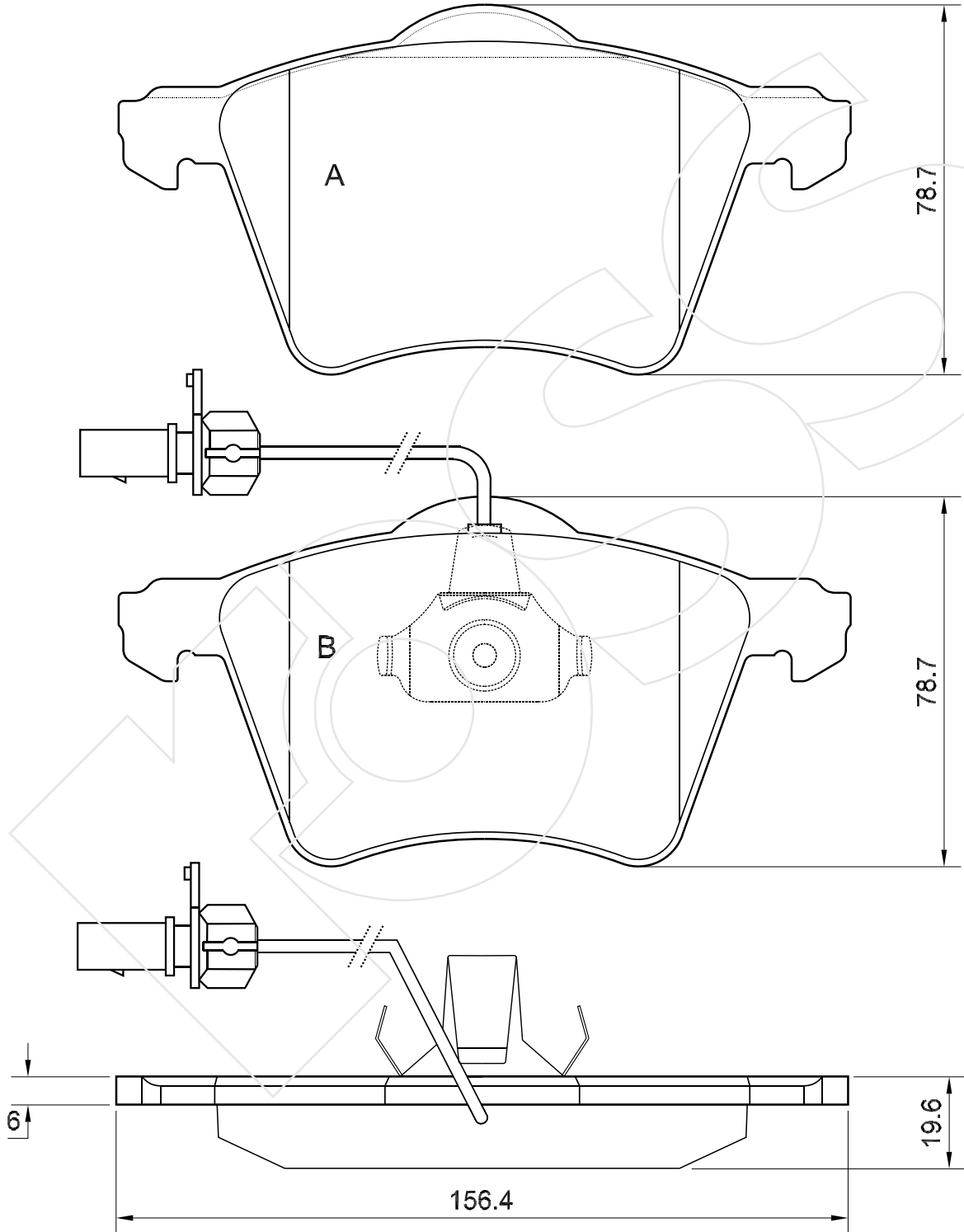
Reference in this Catalogue to other manufactures and to part numbers and other descriptions are for identification purposes only, because the above DISC BRAKE PADS are NOT ORIGINAL but with these interchangeable.

CODICE	IMPIANTO		ASSE	SCALA	APPLICAZIONI
<b>R-1505</b>	GIRLING		ANTERIORE	100%	TATA
CODICE COMPONENTI	N°	L(mm)	SERIE		
A0000	4	*	4 PEZZI		
*	*	*	*		
*	*	*	*		
*	*	*	*		
CODICE ACCESSORI	N°	L(mm)	NOTE		
*	*	*			
*	*	*			
*	*	*			
*	*	*			



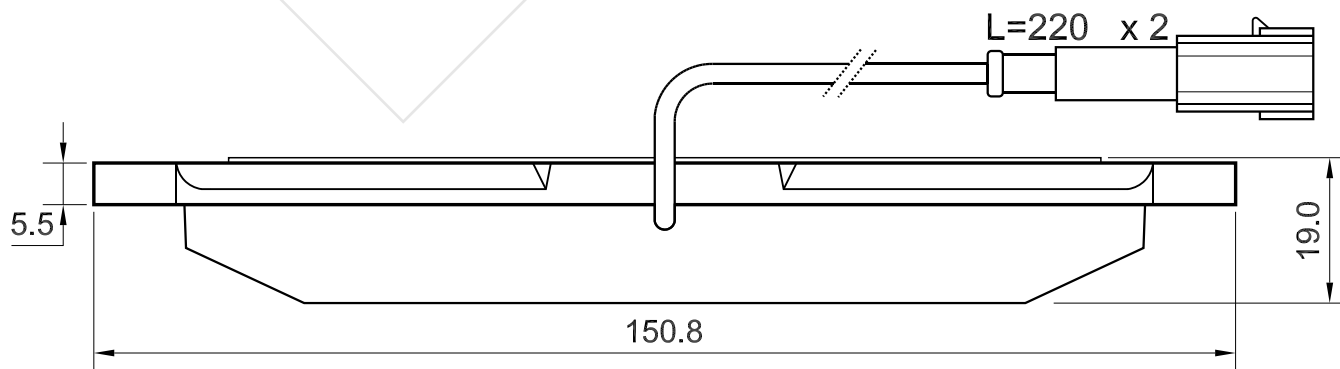
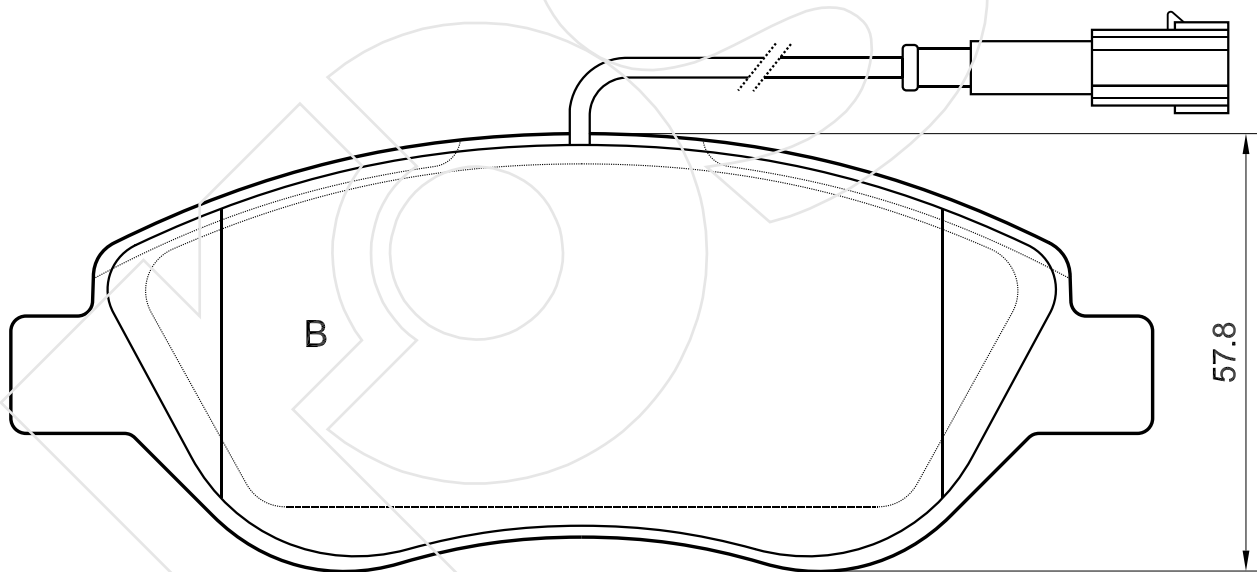
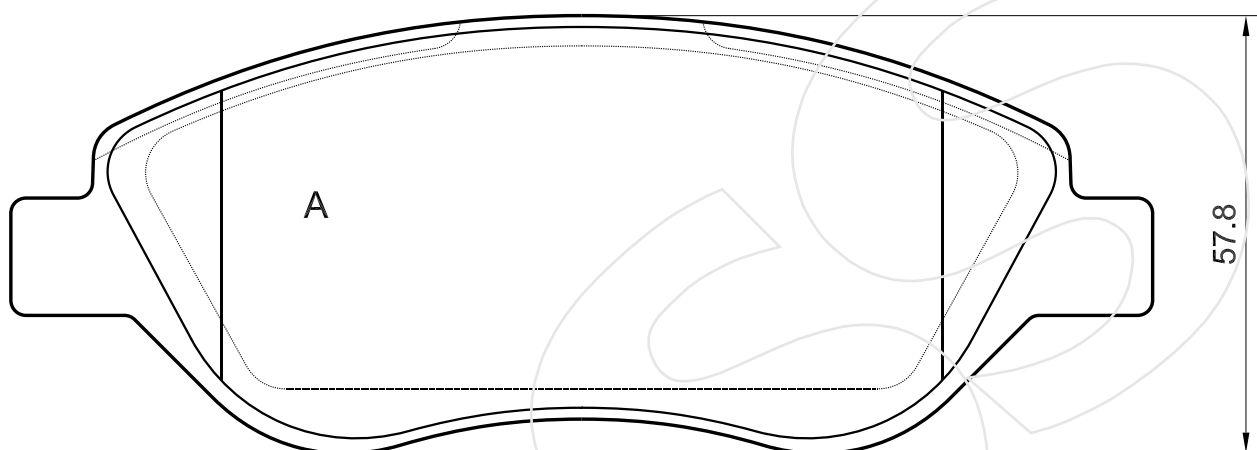
Reference in this Catalogue to other manufactures and to part numbers and other descriptions are for identification purposes only, because the above DISC BRAKE PADS are NOT ORIGINAL but with these interchangeable.

CODICE	IMPIANTO		ASSE	SCALA	APPLICAZIONI
<b>R-1506</b>	ATE		ANTERIORE	75%	VOLKSWAGEN
CODICE COMPONENTI	N°	L(mm)	SERIE		
*	*	*	2 PEZZI TIPO A		
M0132+F3044	2+2	210	2 PEZZI TIPO B		
*	*	*	*		
*	*	*	*		
CODICE ACCESSORI	N°	L(mm)	NOTE		
*	*	*			
*	*	*			
*	*	*			
*	*	*			



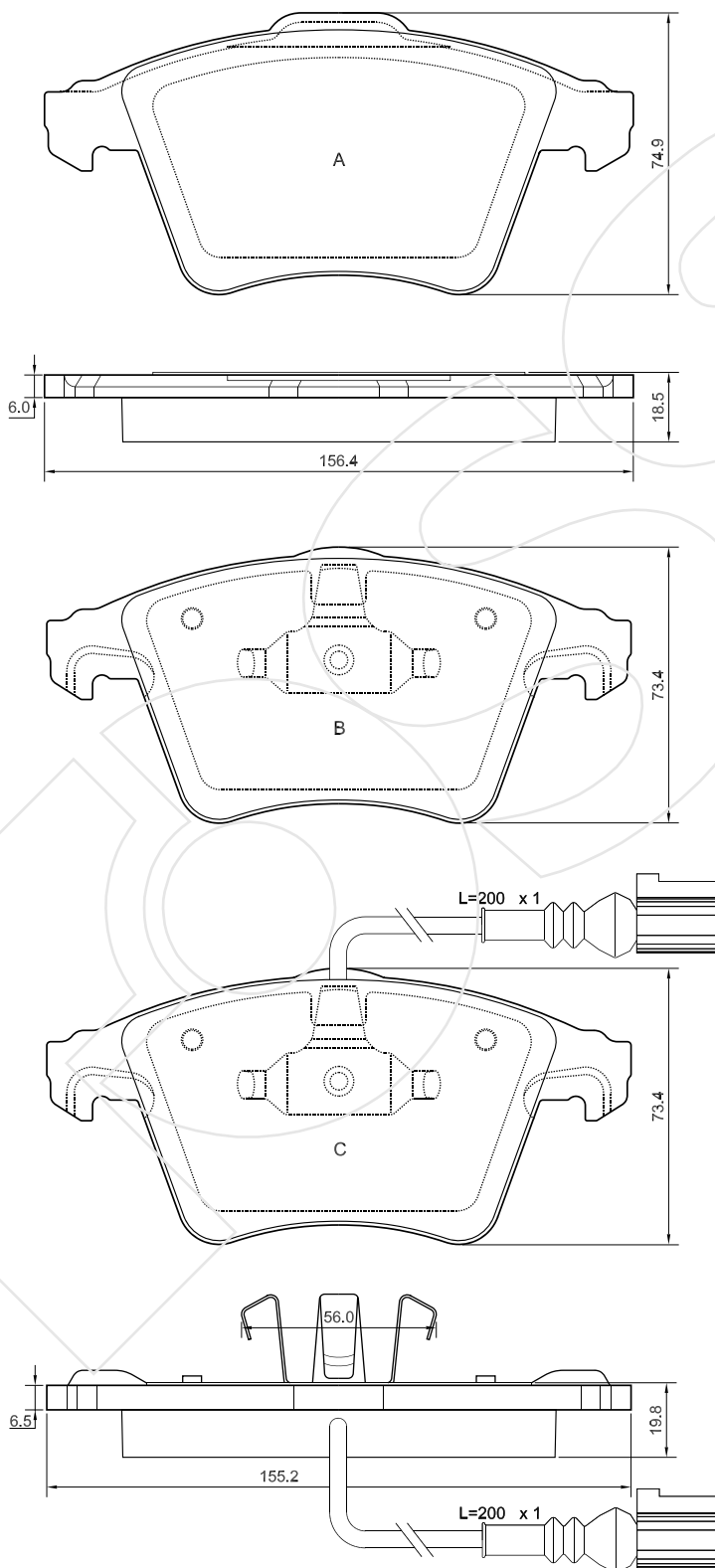
Reference in this Catalogue to other manufactures and to part numbers and other descriptions are for identification purposes only, because the above DISC BRAKE PADS are NOT ORIGINAL but with these interchangeable.

CODICE	IMPIANTO		ASSE	SCALA	APPLICAZIONI
<b>R-1507</b>	BOSCH		ANTERIORE	100%	ALFA ROMEO
CODICE COMPONENTI	N°	L(mm)	SERIE		FIAT
A0000	2	*	2 PEZZI TIPO A		LANCIA
A0000+F3019	2+2	220	2 PEZZI TIPO B		
*	*	*	*		
*	*	*	*		
CODICE ACCESSORI	N°	L(mm)	NOTE		
*	*	*			
*	*	*			
*	*	*			
*	*	*			



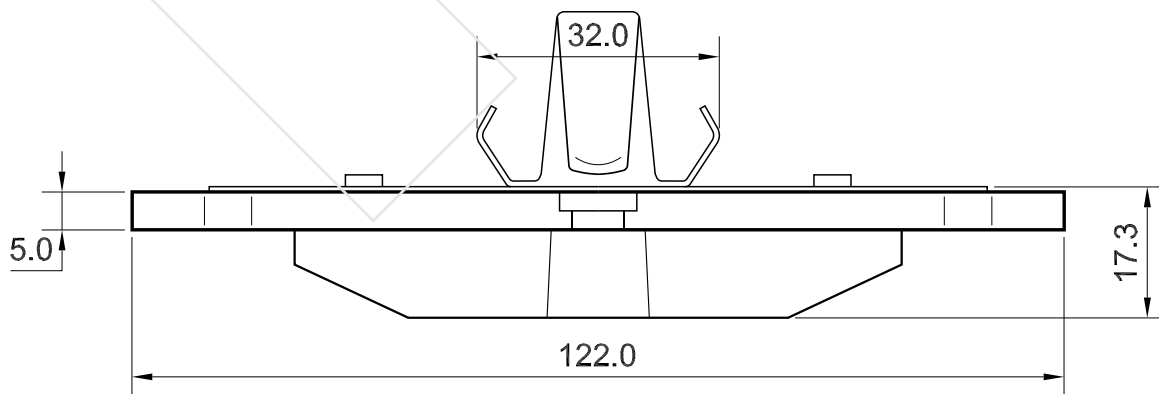
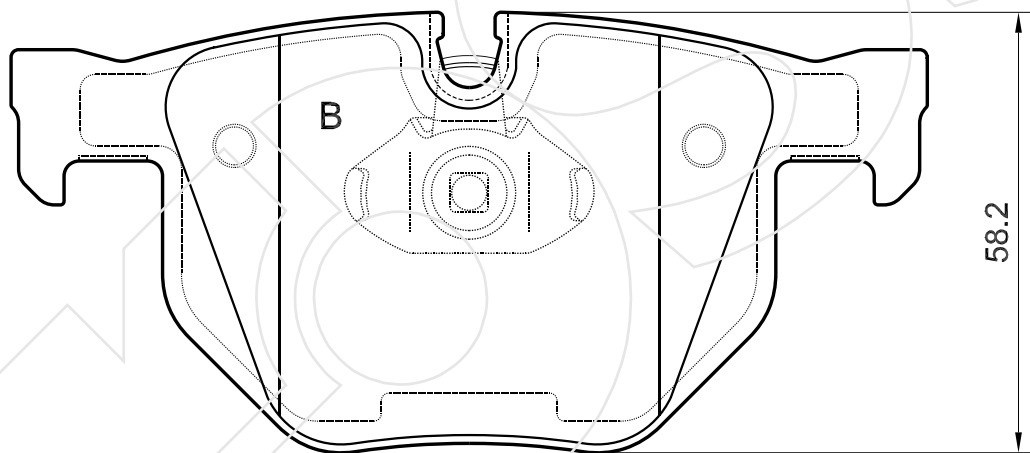
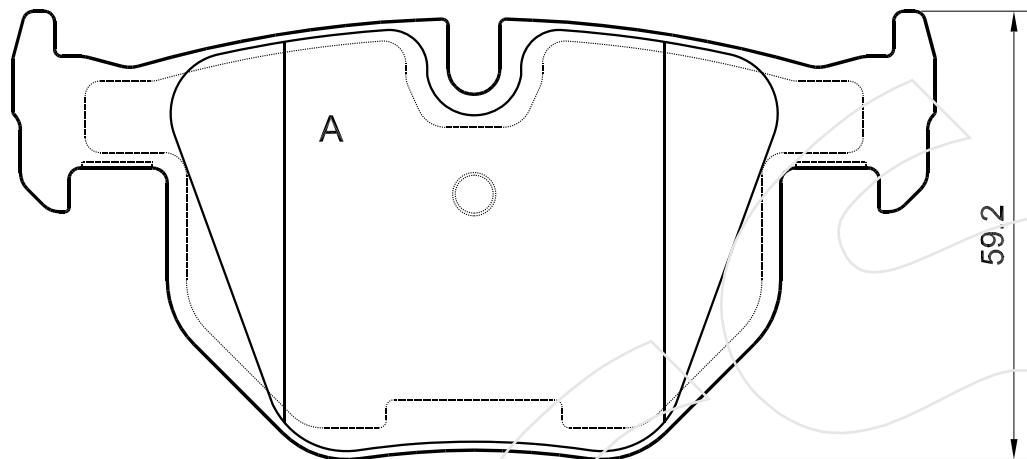
Reference in this Catalogue to other manufactures and to part numbers and other descriptions are for identification purposes only, because the above DISC BRAKE PADS are NOT ORIGINAL but with these interchangeable.

CODICE	IMPIANTO		ASSE	SCALA	APPLICAZIONI
<b>R-1508</b>	ATE		ANTERIORE	50%	VOLKSWAGEN
CODICE COMPONENTI	N°	L(mm)	SERIE		
A0000	2	*	2 PEZZI TIPO A		
A0000+M0176	2+2	*	1 PEZZO TIPO B		
A0000+M0176+F3142	1+1+1	200	1 PEZZO TIPO C		
*	*	*	*		
CODICE ACCESSORI	N°	L(mm)	NOTE		
*	*	*			
*	*	*			
*	*	*			
*	*	*			



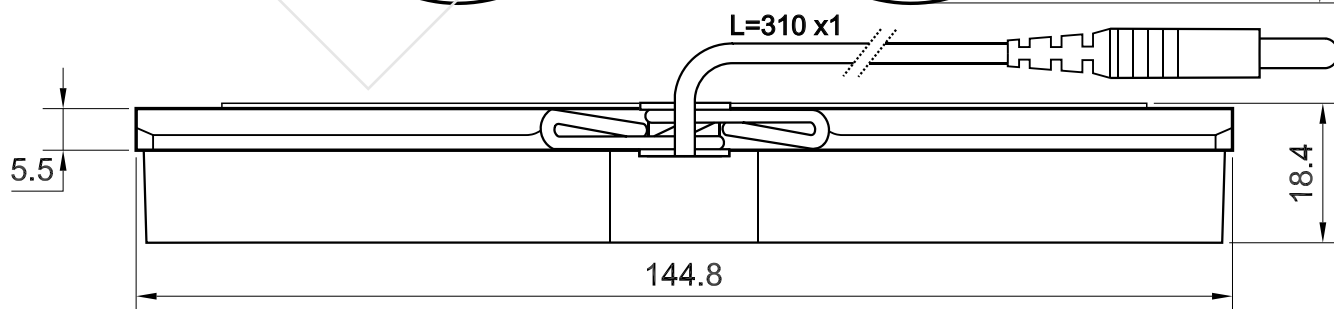
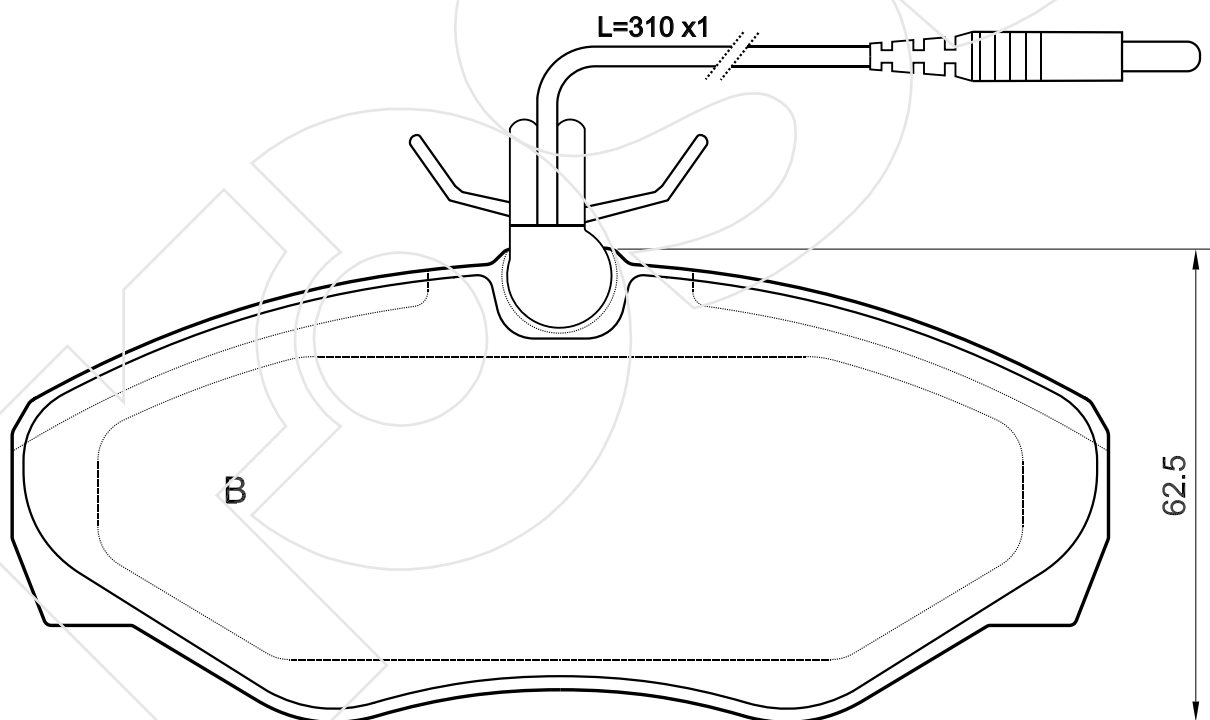
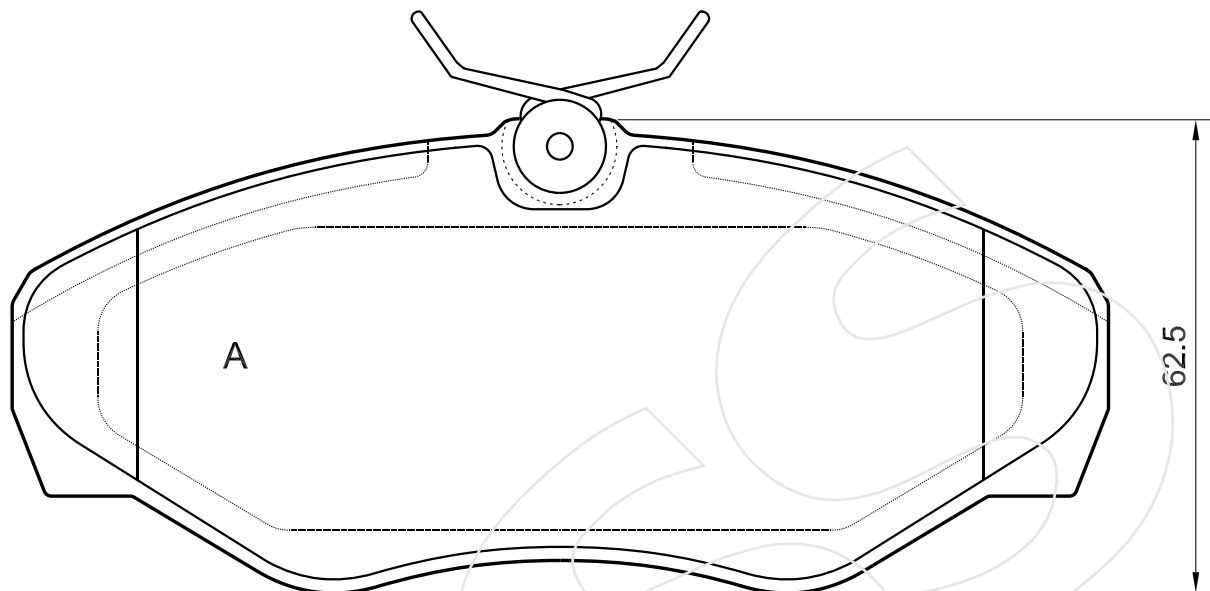
Reference in this Catalogue to other manufactures and to part numbers and other descriptions are for identification purposes only, because the above DISC BRAKE PADS are NOT ORIGINAL but with these interchangeable.

CODICE	IMPIANTO		ASSE	SCALA	APPLICAZIONI
<b>R-1509</b>	ATE		POSTERIORE	100%	BMW
CODICE COMPONENTI	N°	L(mm)	SERIE		
A0000	2	*	2 PEZZI TIPO A		
A0000+M0352	2+2	*	2 PEZZI TIPO B		
*	*	*	*		
*	*	*	*		
CODICE ACCESSORI	N°	L(mm)	NOTE		
*	*	*			
*	*	*			
*	*	*			
*	*	*			



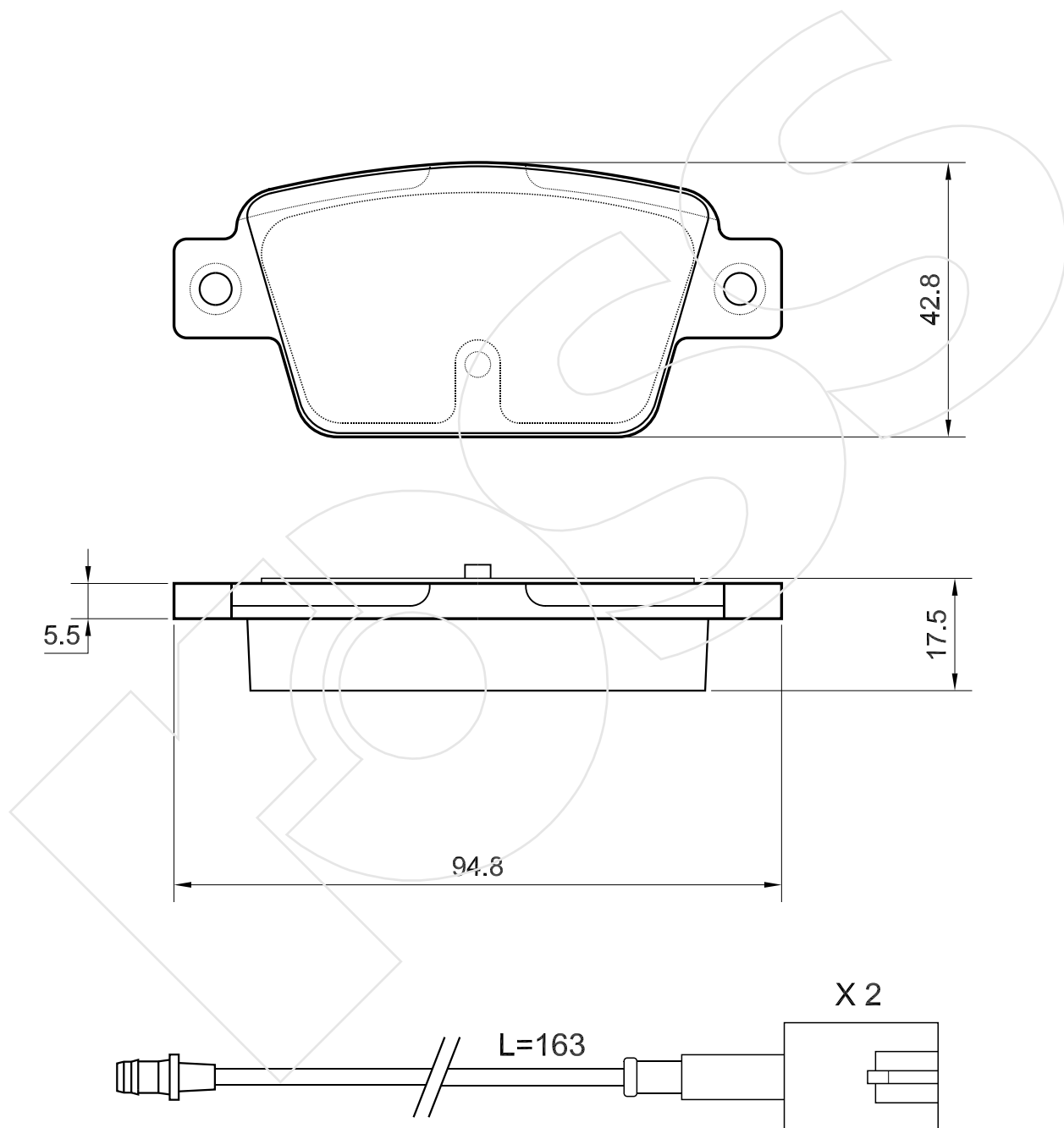
Reference in this Catalogue to other manufactures and to part numbers and other descriptions are for identification purposes only, because the above DISC BRAKE PADS are NOT ORIGINAL but with these interchangeable.

CODICE	IMPIANTO		ASSE	SCALA	APPLICAZIONI
<b>R-1510</b>	TRW		ANTERIORE	100%	RENAULT
CODICE COMPONENTI	N°	L(mm)	SERIE		
A0000+M0015	3+3	*	3 PEZZI TIPO A		
A0000+F0000	1+1	310	1 PEZZI TIPO B		
*	*	*	*		
*	*	*	*		
CODICE ACCESSORI	N°	L(mm)	NOTE		
*	*	*			
*	*	*			
*	*	*			
*	*	*			



Reference in this Catalogue to other manufactures and to part numbers and other descriptions are for identification purposes only, because the above DISC BRAKE PADS are NOT ORIGINAL but with these interchangeable.

CODICE	IMPIANTO		ASSE	SCALA	APPLICAZIONI
<b>R-1511</b>	BOSCH		POSTERIORE	100%	LANCIA
CODICE COMPONENTI	N°	L(mm)	SERIE		ALFA ROMEO
A372+F3178	4+2	163	4 PEZZI		
*	*	*	*		
*	*	*	*		FIAT
CODICE ACCESSORI	N°	L(mm)	NOTE		
*	*	*			
*	*	*			
*	*	*			
*	*	*			

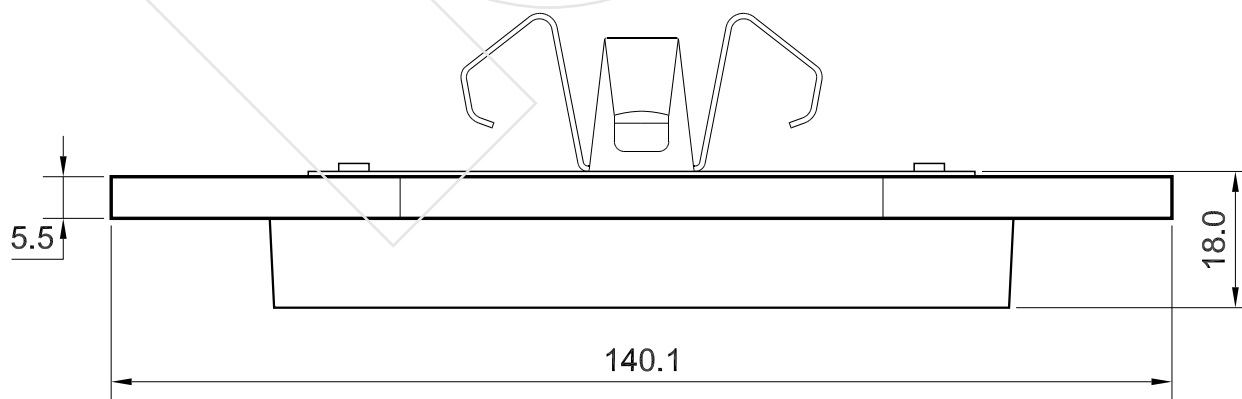
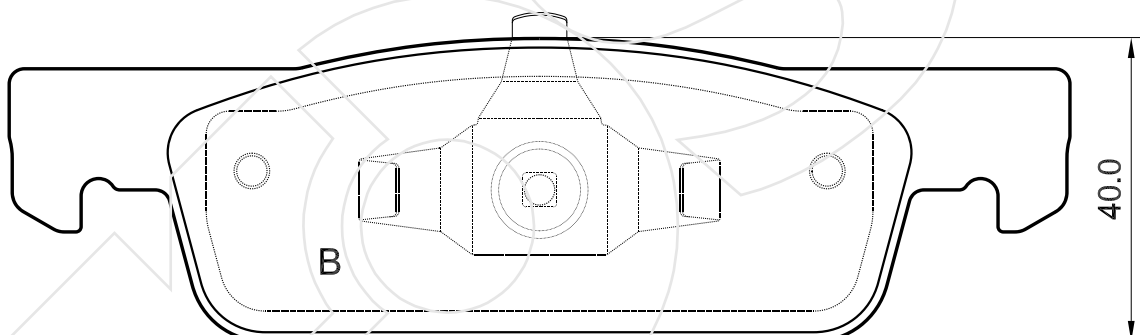
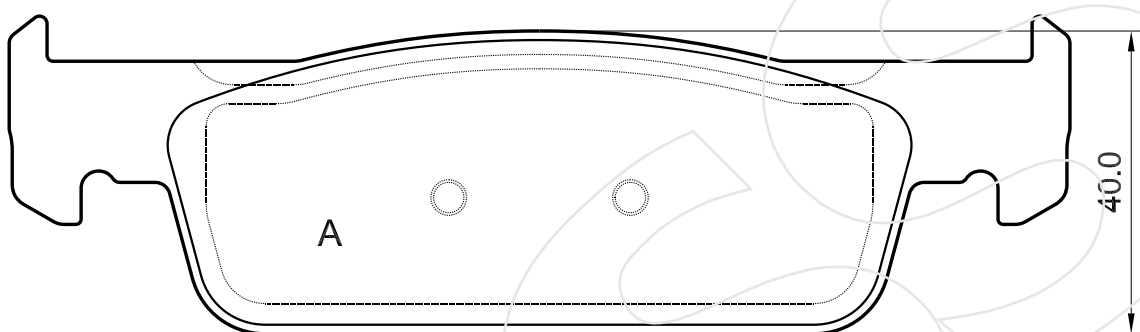


Reference in this Catalogue to other manufactures and to part numbers and other descriptions are for identification purposes only, because the above DISC BRAKE PADS are NOT ORIGINAL but with these interchangeable.



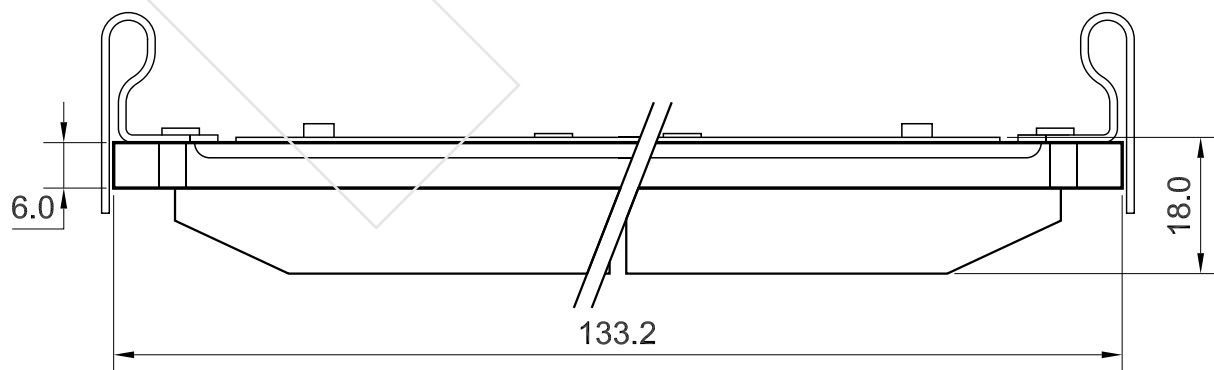
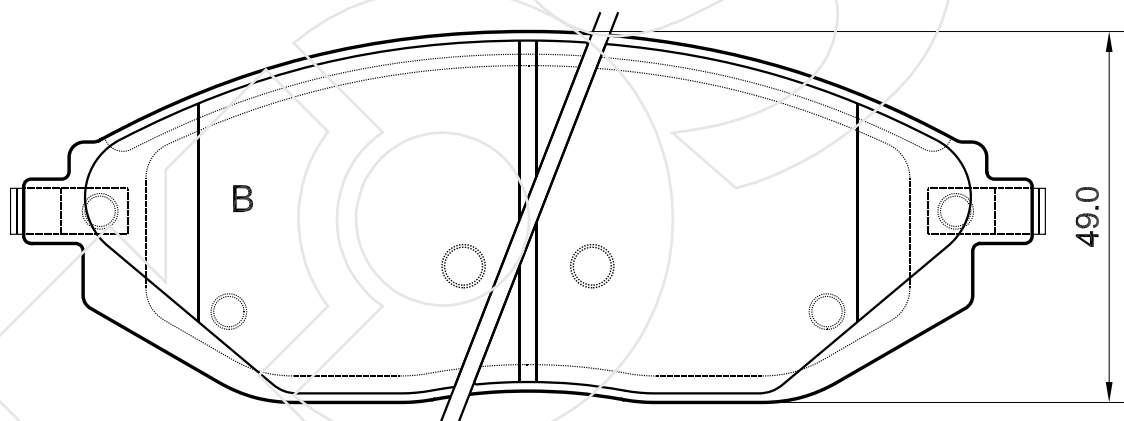
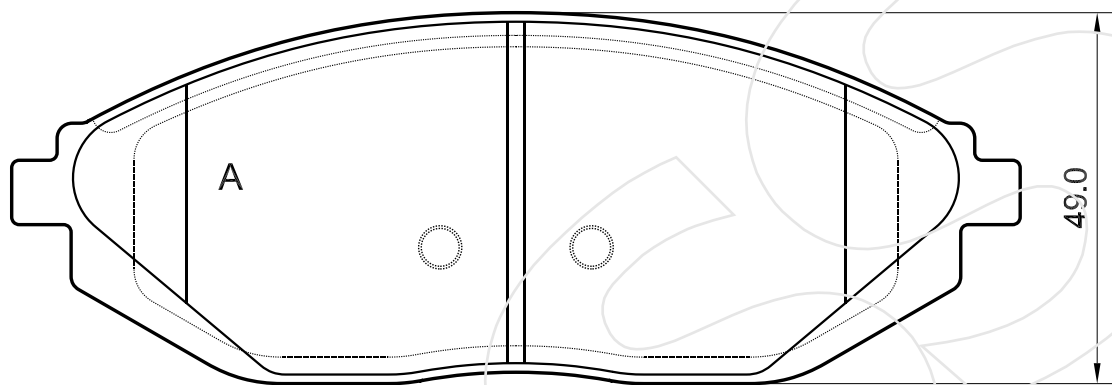
CODICE	IMPIANTO		ASSE	SCALA	APPLICAZIONI
<b>R-1512</b>	ATE		ANTERIORE	100%	RENAULT
CODICE COMPONENTI	N°	L(mm)	SERIE		
A0000	2	*	2 PEZZI TIPO A		
A0000+M0000	2+2	*	2 PEZZI TIPO B		
*	*	*	*		
*	*	*	*		
CODICE ACCESSORI	N°	L(mm)	NOTE		
*	*	*			
*	*	*			
*	*	*			
*	*	*			
*	*	*			

DACIA



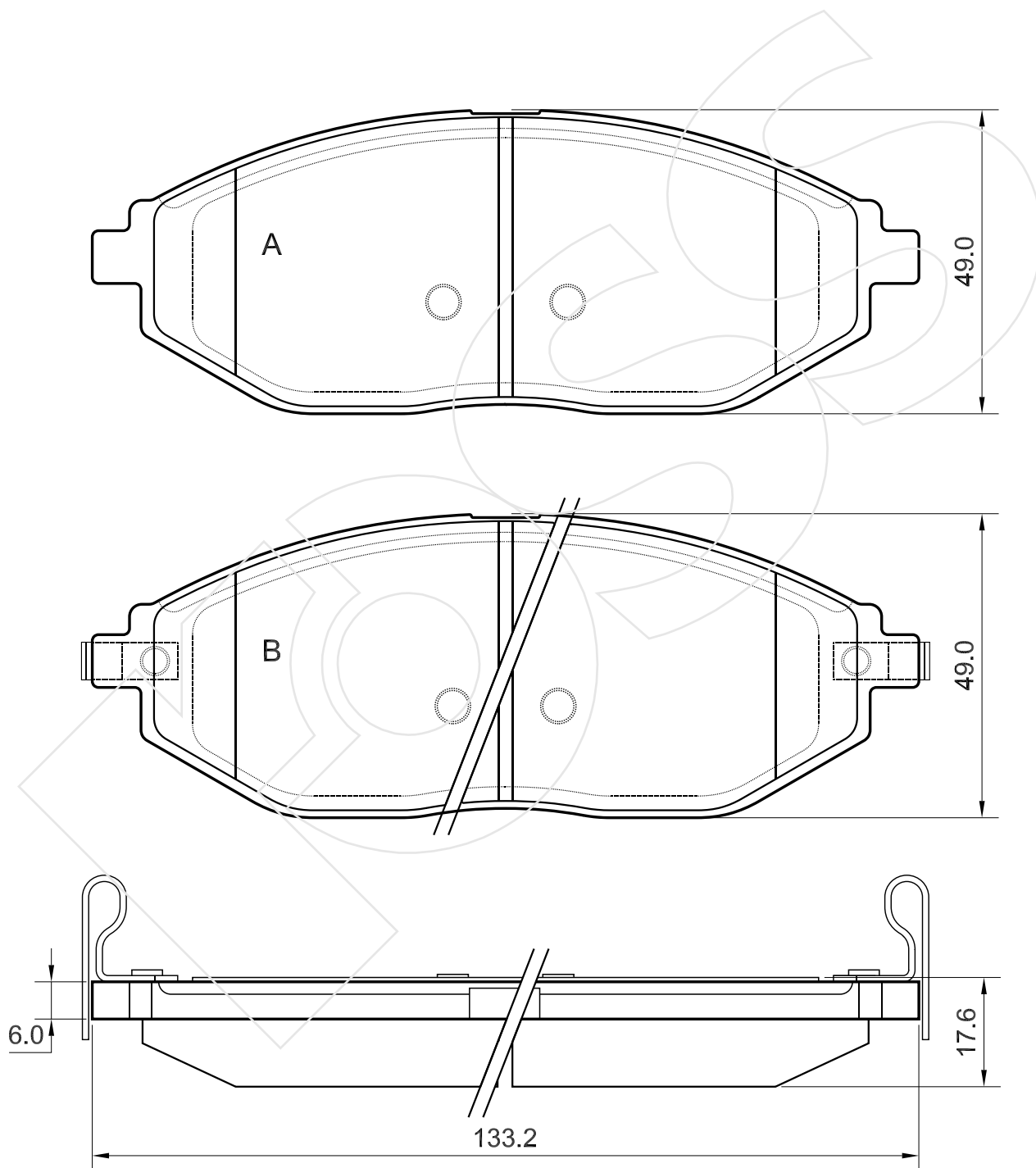
Reference in this Catalogue to other manufactures and to part numbers and other descriptions are for identification purposes only, because the above DISC BRAKE PADS are NOT ORIGINAL but with these interchangeable.

CODICE	IMPIANTO		ASSE	SCALA	APPLICAZIONI
<b>R-1513</b>	AKEBONO		ANTERIORE	100%	CHEVROLET
CODICE COMPONENTI	N°	L(mm)	SERIE		
A0000	2	*	2 PEZZI TIPO A		
A0000+M0000	2+2	*	2 PEZZI TIPO B		
*	*	*	*		
*	*	*	*		
CODICE ACCESSORI	N°	L(mm)	NOTE		
*	*	*			
*	*	*			
*	*	*			
*	*	*			



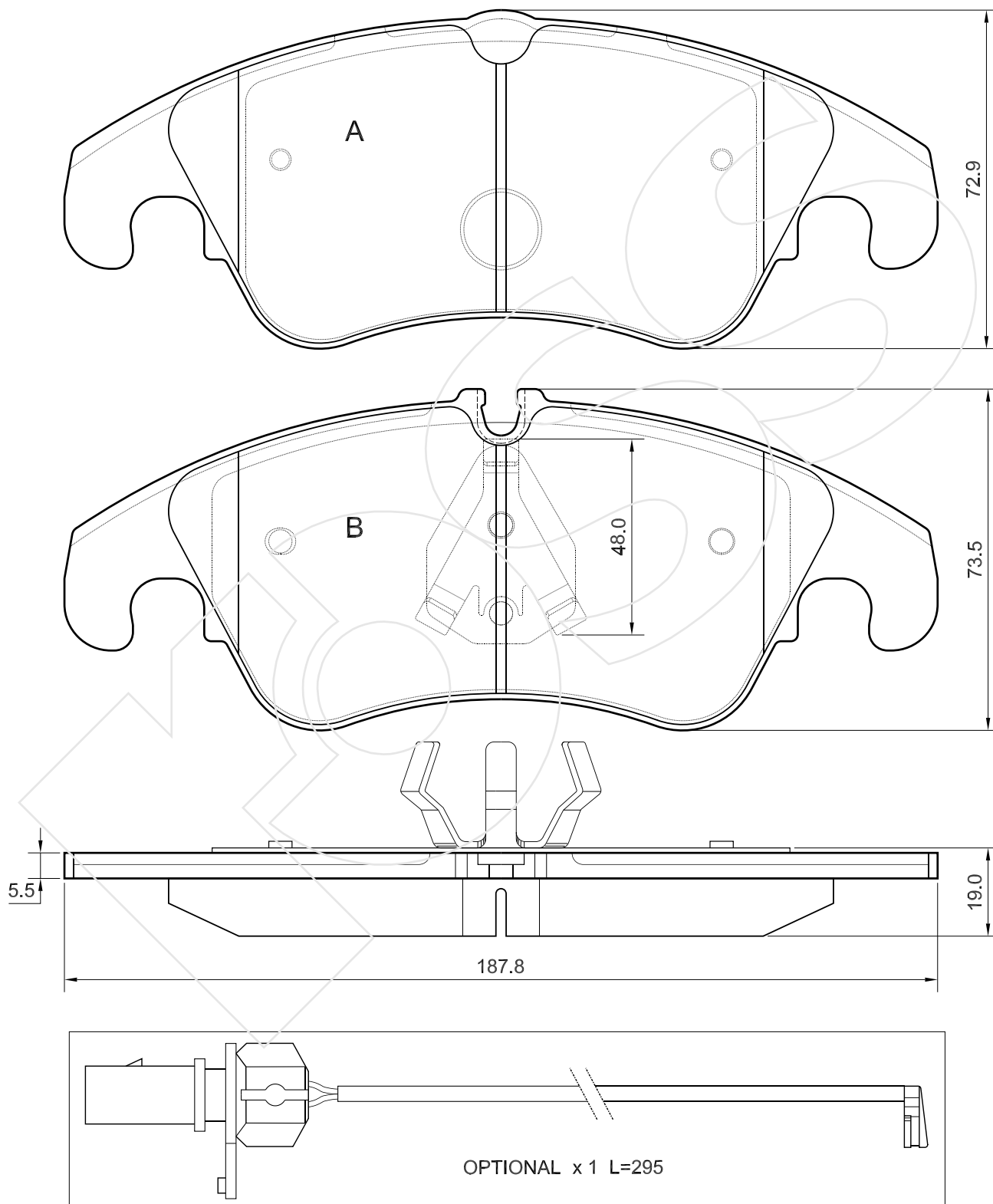
Reference in this Catalogue to other manufactures and to part numbers and other descriptions are for identification purposes only, because the above DISC BRAKE PADS are NOT ORIGINAL but with these interchangeable.

CODICE	IMPIANTO		ASSE	SCALA	APPLICAZIONI
<b>R-1514</b>	AKEBONO		ANTERIORE	100%	CHEVROLET
CODICE COMPONENTI	N°	L(mm)	SERIE		
A0000	2	*	2 PEZZI TIPO A		
A0000+M0000	2+2	*	2 PEZZI TIPO B		
*	*	*	*		
*	*	*	*		
CODICE ACCESSORI	N°	L(mm)	NOTE		
*	*	*			
*	*	*			
*	*	*			
*	*	*			



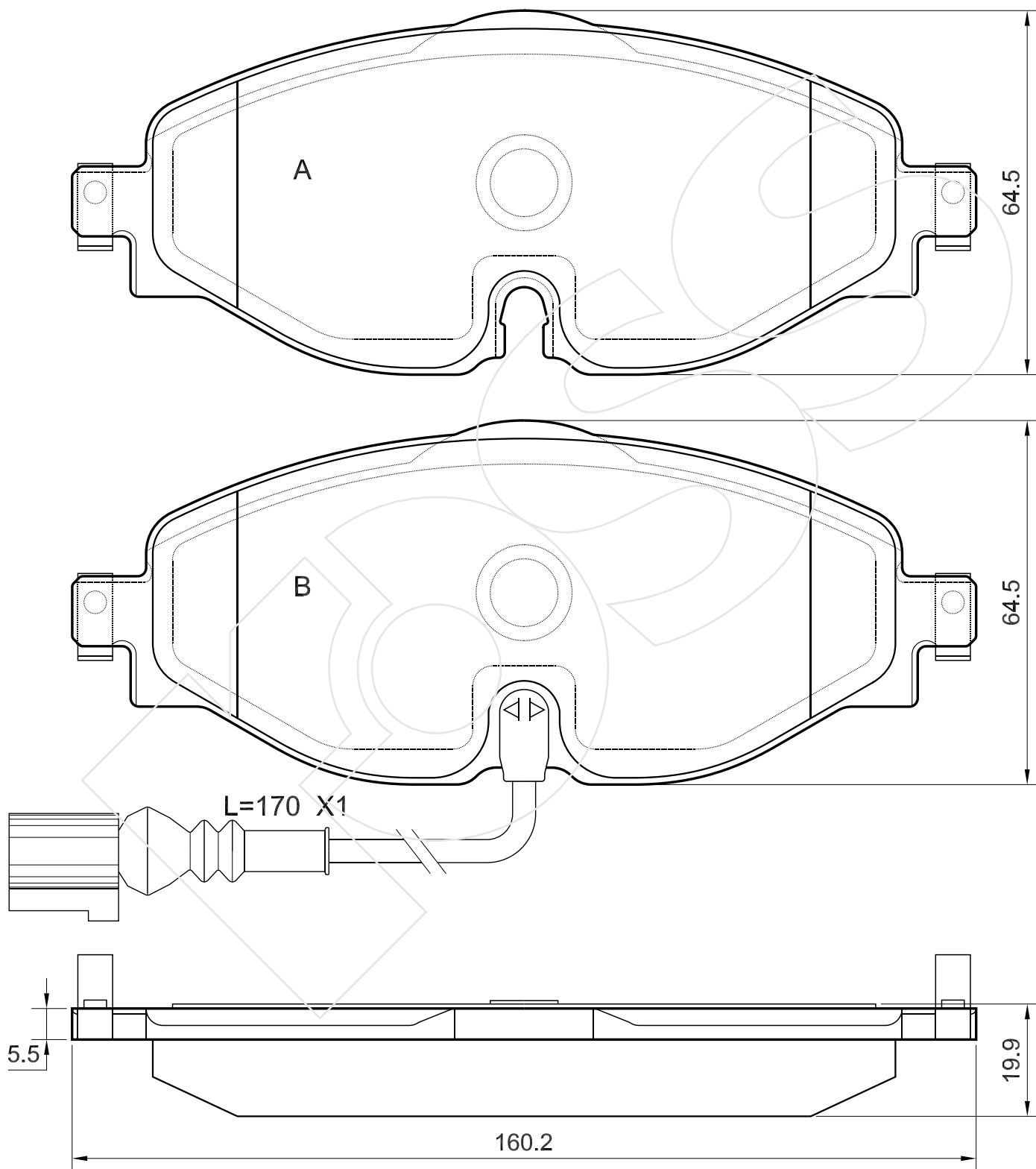
Reference in this Catalogue to other manufactures and to part numbers and other descriptions are for identification purposes only, because the above DISC BRAKE PADS are NOT ORIGINAL but with these interchangeable.

CODICE	IMPIANTO		ASSE	SCALA	APPLICAZIONI
<b>R-1515</b>	TRW		ANTERIORE	80%	AUDI
CODICE COMPONENTI	N°	L(mm)	SERIE		
A0000	2	*	2 PEZZI TIPO A		
A0000+M0363	2+2	*	2 PEZZI TIPO B		
*	*	*	*		
*	*	*	*		
CODICE ACCESSORI	N°	L(mm)	NOTE		
F0000	1	295			
*	*	*			
*	*	*			
*	*	*			



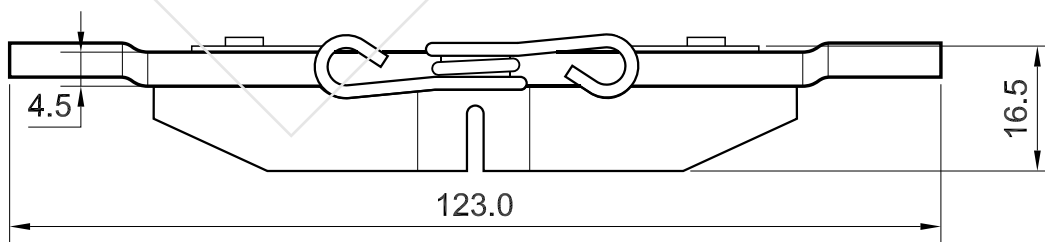
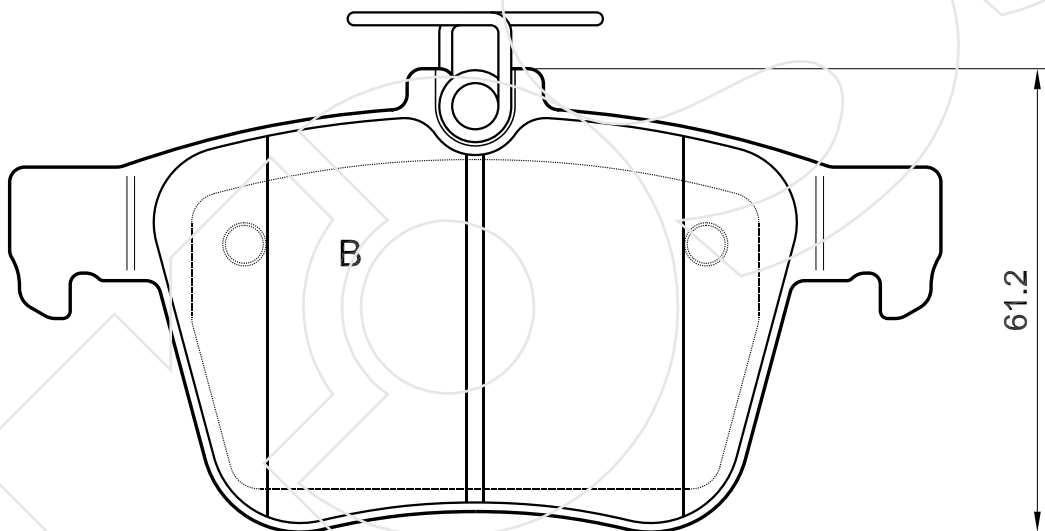
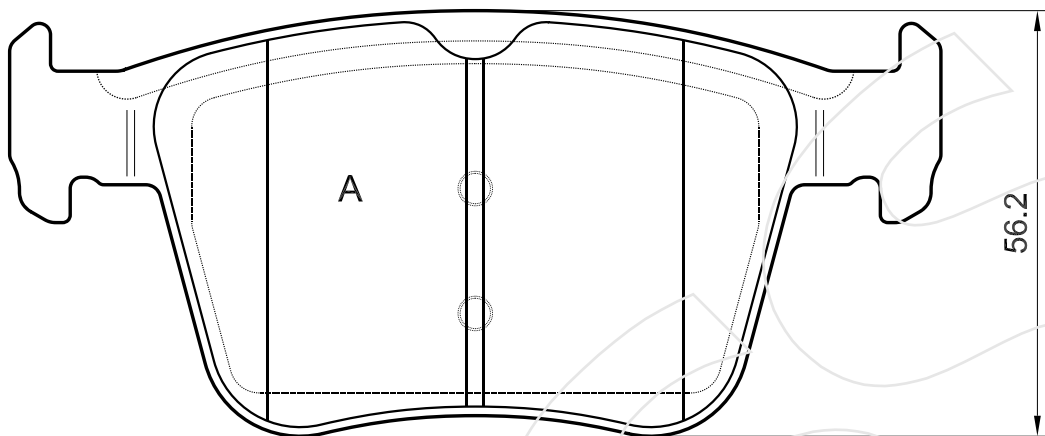
Reference in this Catalogue to other manufactures and to part numbers and other descriptions are for identification purposes only, because the above DISC BRAKE PADS are NOT ORIGINAL but with these interchangeable.

CODICE	IMPIANTO		ASSE	SCALA	APPLICAZIONI
<b>R-1516</b>	TRW		ANTERIORE	100%	AUDI
CODICE COMPONENTI	N°	L(mm)	SERIE		SEAT
A0389+M0366	3+6	*	3 PEZZI TIPO A		VOLKSWAGEN
A0389+M0366+F3179	1+2+1	170	1 PEZZO TIPO B		
*	*	*	*		
*	*	*	*		
CODICE ACCESSORI	N°	L(mm)	NOTE		
*	*	*			
*	*	*			
*	*	*			
*	*	*			



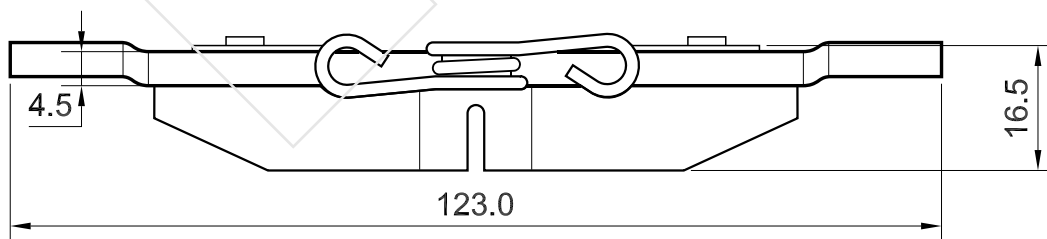
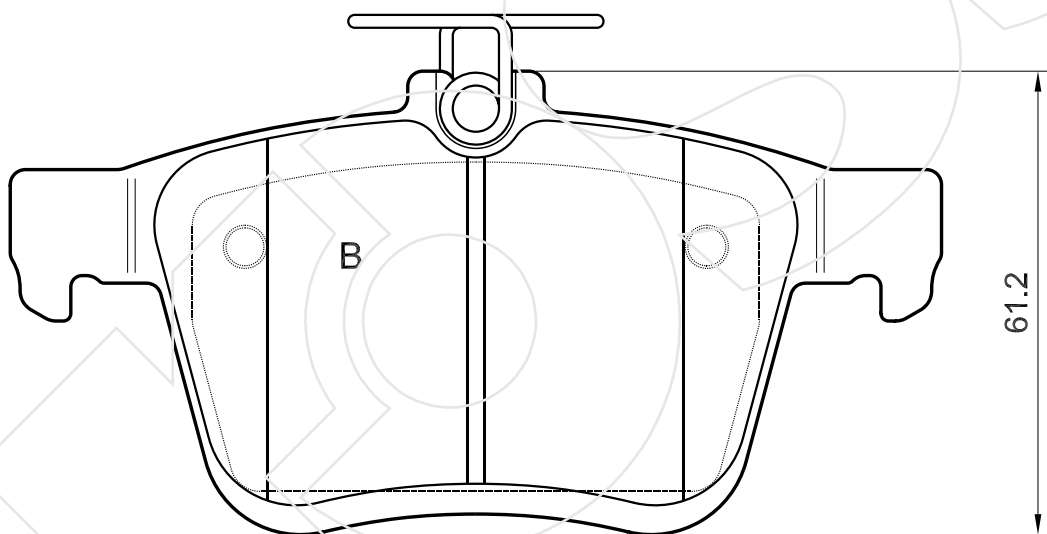
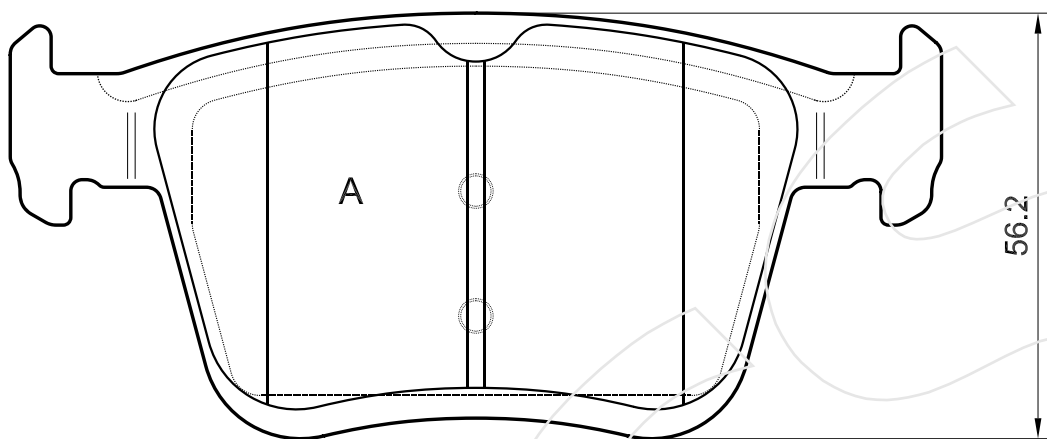
Reference in this Catalogue to other manufactures and to part numbers and other descriptions are for identification purposes only, because the above DISC BRAKE PADS are NOT ORIGINAL but with these interchangeable.

CODICE	IMPIANTO		ASSE	SCALA	APPLICAZIONI
<b>R-1517</b>	ATE		POSTERIORE	100%	AUDI
CODICE COMPONENTI	N°	L(mm)	SERIE		SEAT
A0000	2	*	2 PEZZI TIPO A		
A0000+M0000	2+2	*	2 PEZZI TIPO B		
*	*	*	*		
*	*	*	*		VOLKSWAGEN
CODICE ACCESSORI	N°	L(mm)	NOTE		
*	*	*			
*	*	*			
*	*	*			
*	*	*			



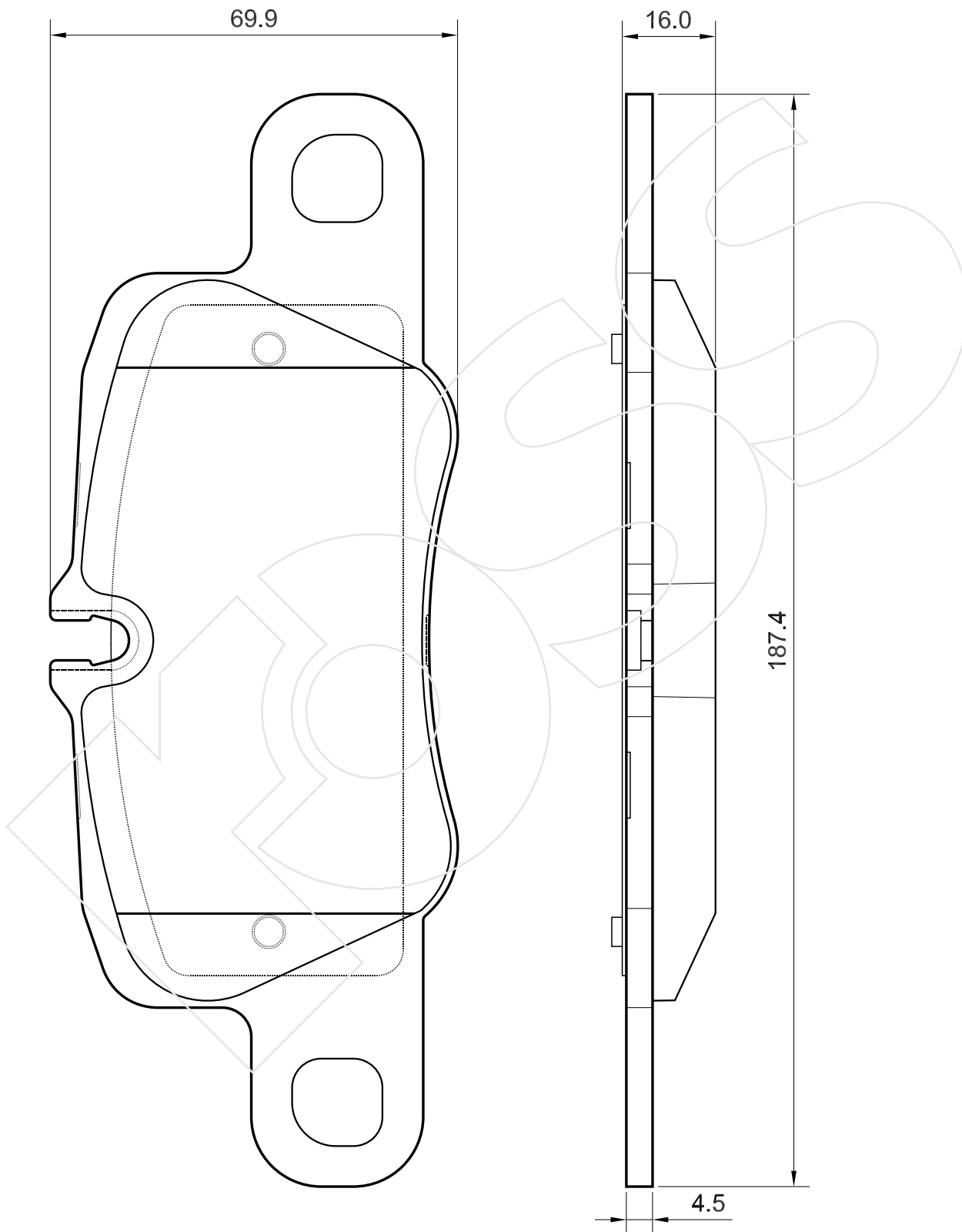
Reference in this Catalogue to other manufactures and to part numbers and other descriptions are for identification purposes only, because the above DISC BRAKE PADS are NOT ORIGINAL but with these interchangeable.

CODICE	IMPIANTO		ASSE	SCALA	APPLICAZIONI
<b>R-1518</b>	ATE		POSTERIORE	100%	AUDI
CODICE COMPONENTI	N°	L(mm)	SERIE		
A0000	2	*	2 PEZZI TIPO A		
A0000+M0000	2+2	*	2 PEZZI TIPO B		
*	*	*	*		
*	*	*	*		
CODICE ACCESSORI	N°	L(mm)	NOTE		
*	*	*			
*	*	*			
*	*	*			
*	*	*			
*	*	*			
*	*	*			



Reference in this Catalogue to other manufactures and to part numbers and other descriptions are for identification purposes only, because the above DISC BRAKE PADS are NOT ORIGINAL but with these interchangeable.

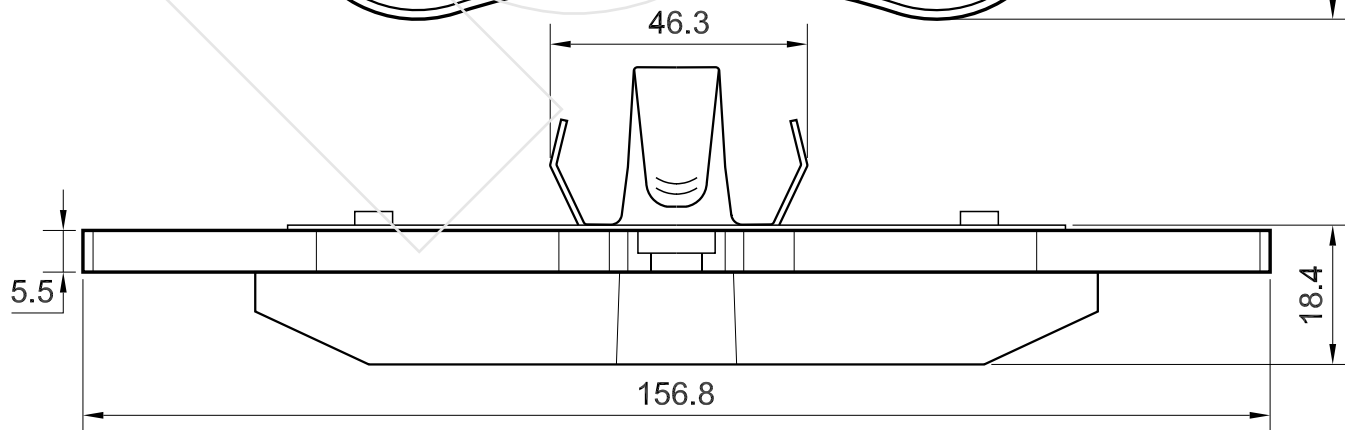
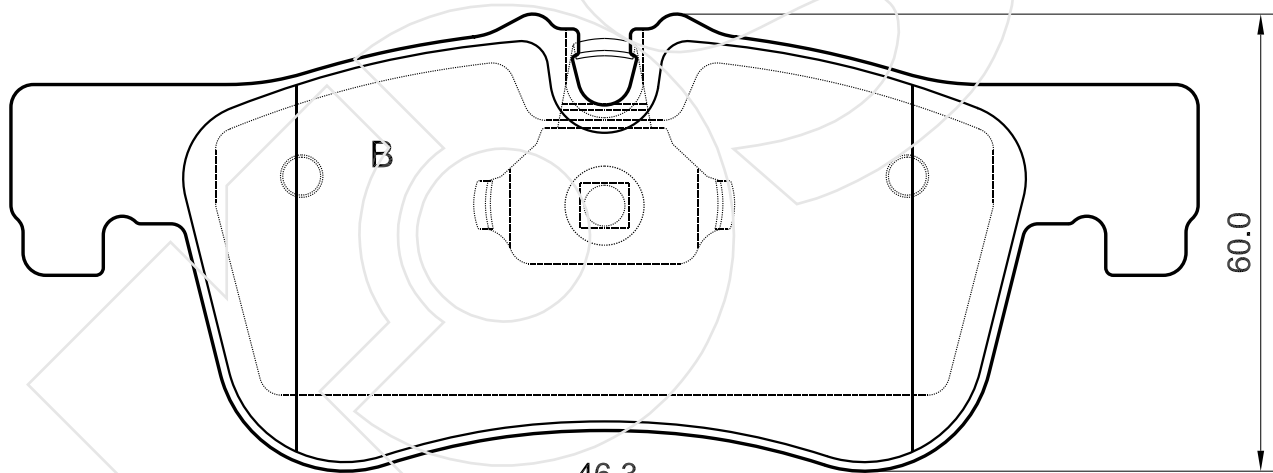
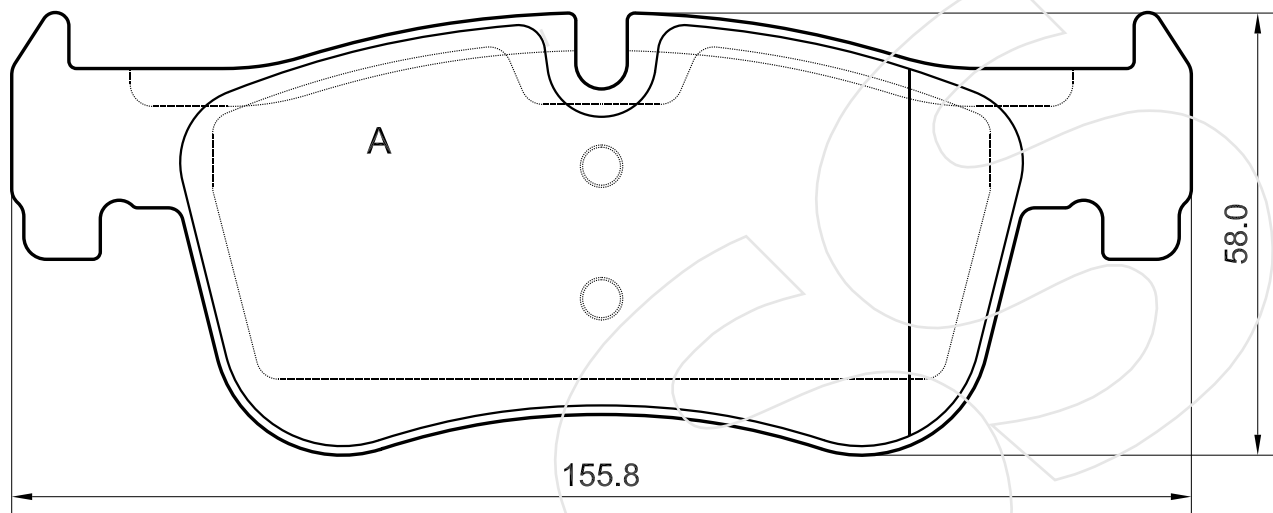
CODICE	IMPIANTO		ASSE	SCALA	APPLICAZIONI
<b>R-1519</b>	BREMBO		POSTERIORE	100%	PORSCHE
CODICE COMPONENTI	N°	L(mm)	SERIE		
A0000	4	*	4 PEZZI		
*	*	*	*		
*	*	*	*		
*	*	*	*		
CODICE ACCESSORI	N°	L(mm)	NOTE		
*	*	*			
*	*	*			
*	*	*			
*	*	*			



Reference in this Catalogue to other manufactures and to part numbers and other descriptions are for identification purposes only, because the above DISC BRAKE PADS are NOT ORIGINAL but with these interchangeable.

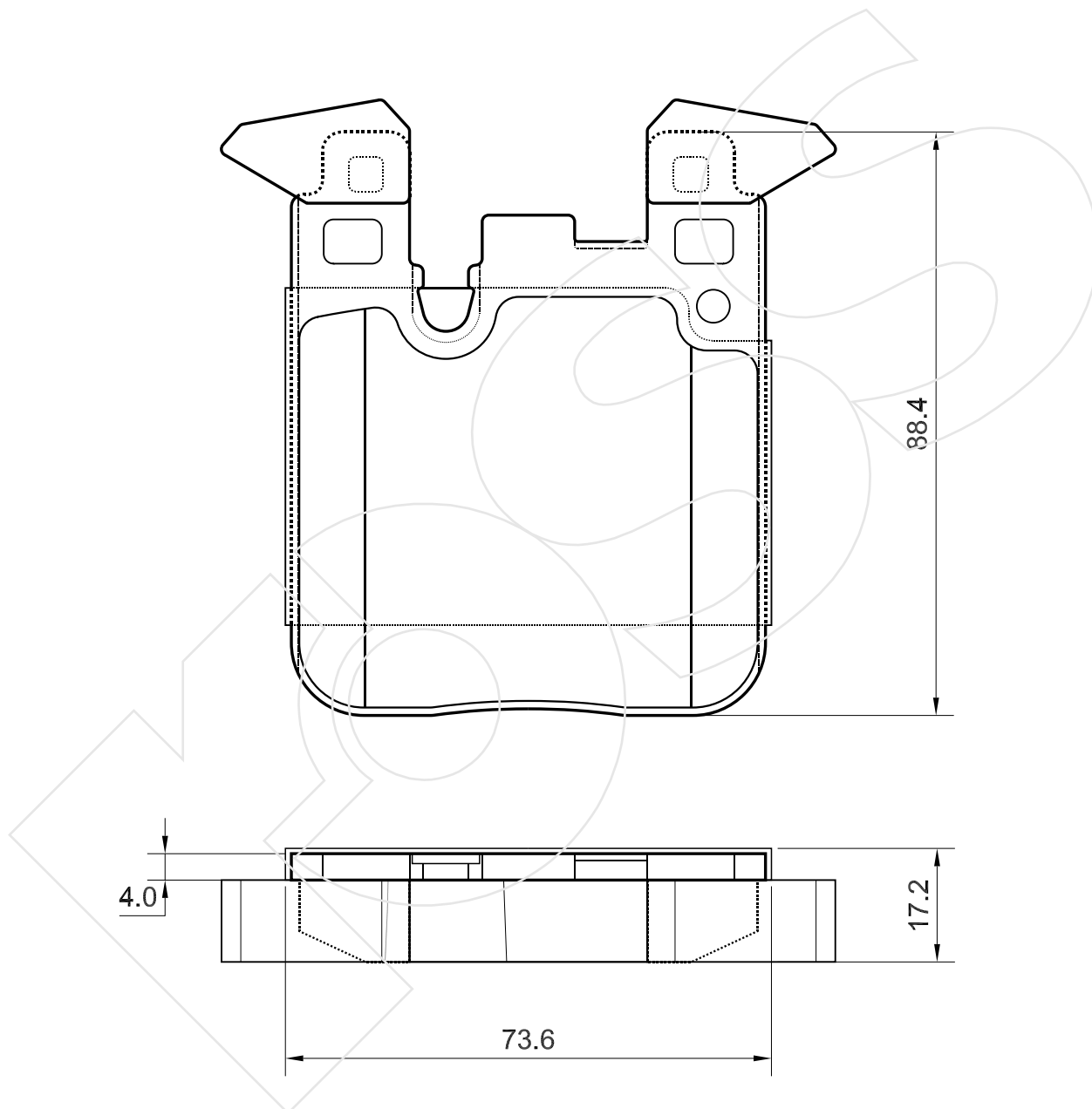


CODICE	IMPIANTO		ASSE	SCALA	APPLICAZIONI
<b>R-1520</b>	ATE		ANTERIORE	100%	BMW
CODICE COMPONENTI	N°	L(mm)	SERIE		
A0000	2	*	2 PEZZI TIPO A		
A0000+M0000	2+2	*	2 PEZZI TIPO B		
*	*	*	*		
*	*	*	*		
CODICE ACCESSORI	N°	L(mm)	NOTE		
*	*	*			
*	*	*			
*	*	*			
*	*	*			



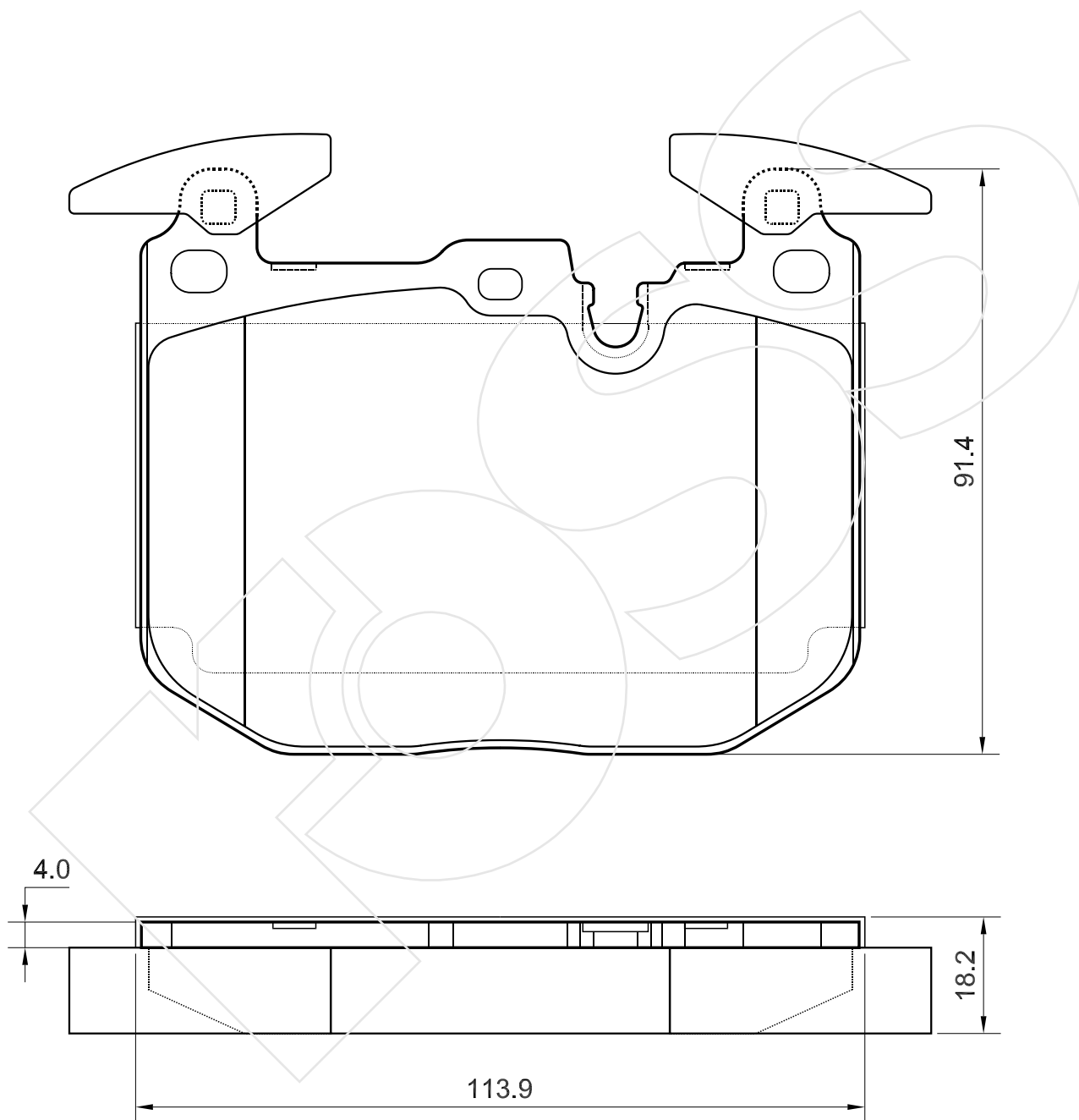
Reference in this Catalogue to other manufactures and to part numbers and other descriptions are for identification purposes only, because the above DISC BRAKE PADS are NOT ORIGINAL but with these interchangeable.

CODICE	IMPIANTO		ASSE	SCALA	APPLICAZIONI
<b>R-1521</b>	BREMBO		POSTERIORE	100%	BMW
CODICE COMPONENTI	N°	L(mm)	SERIE		
A0000	4	*	4 PEZZI		
*	*	*	*		
*	*	*	*		
*	*	*	*		
CODICE ACCESSORI	N°	L(mm)	NOTE		
*	*	*			
*	*	*			
*	*	*			
*	*	*			



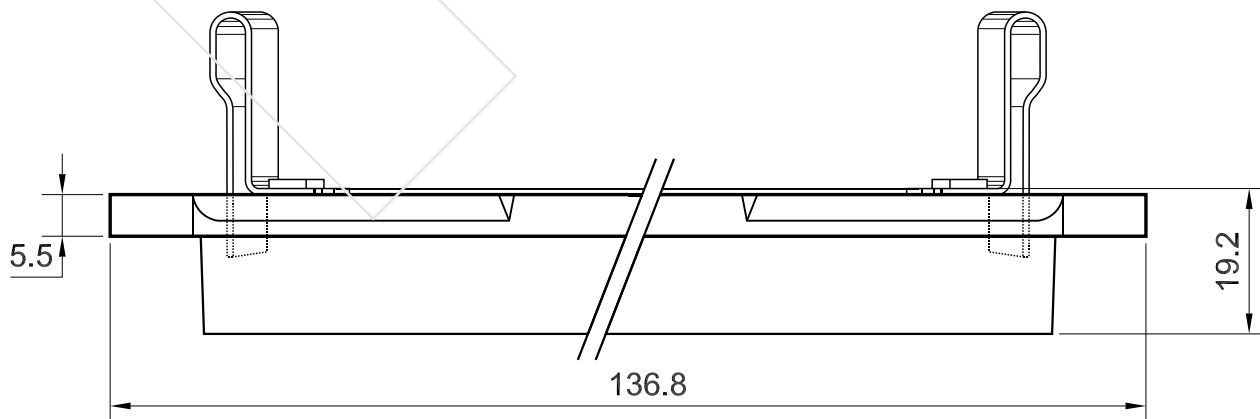
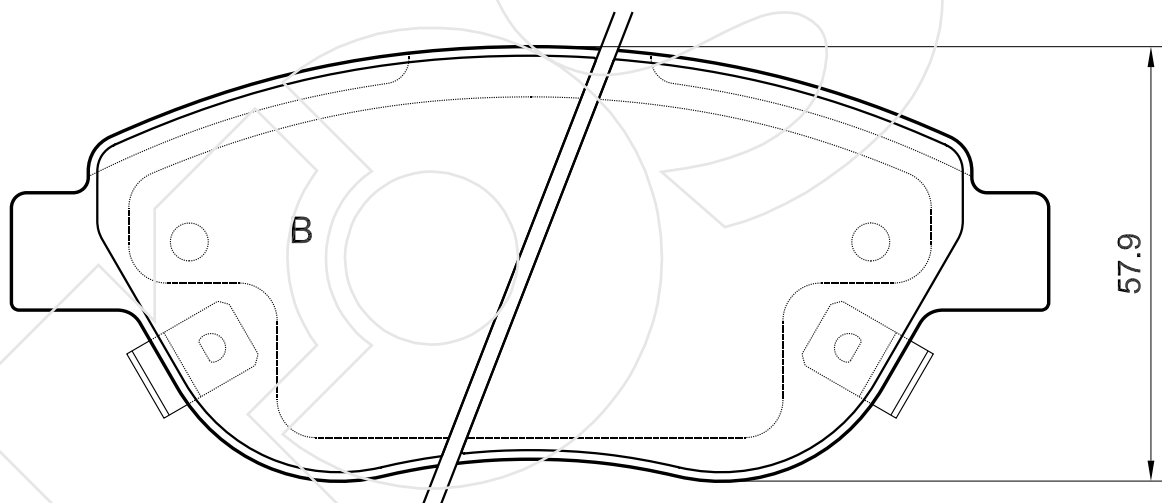
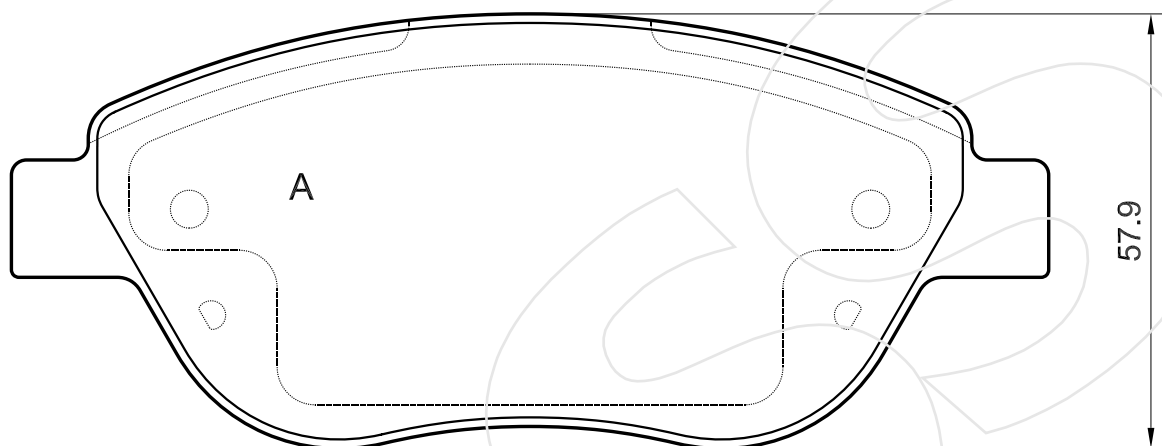
Reference in this Catalogue to other manufactures and to part numbers and other descriptions are for identification purposes only, because the above DISC BRAKE PADS are NOT ORIGINAL but with these interchangeable.

CODICE	IMPIANTO		ASSE	SCALA	APPLICAZIONI
<b>R-1522</b>	BREMBO		ANTERIORE	100%	BMW
CODICE COMPONENTI	N°	L(mm)	SERIE		
A0000	4	*	4 PEZZI		
*	*	*	*		
*	*	*	*		
*	*	*	*		
CODICE ACCESSORI	N°	L(mm)	NOTE		
*	*	*			
*	*	*			
*	*	*			
*	*	*			



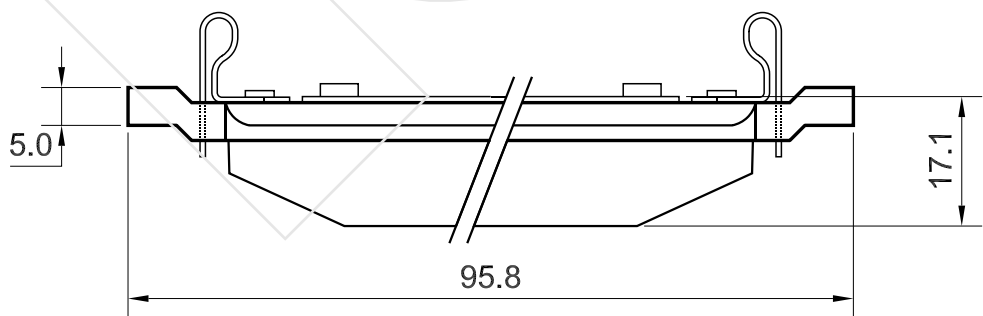
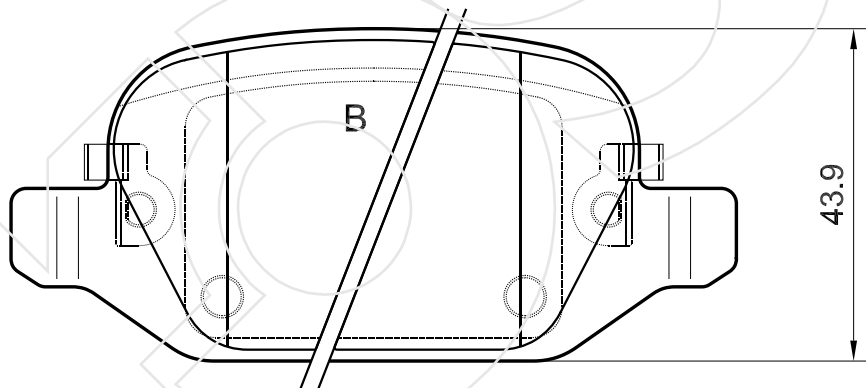
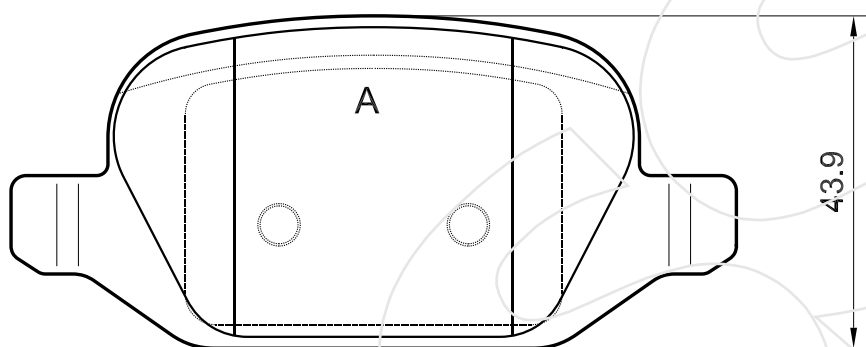
Reference in this Catalogue to other manufactures and to part numbers and other descriptions are for identification purposes only, because the above DISC BRAKE PADS are NOT ORIGINAL but with these interchangeable.

CODICE	IMPIANTO		ASSE	SCALA	APPLICAZIONI
<b>R-1523</b>	BOSCH		ANTERIORE	100%	FIAT
CODICE COMPONENTI	N°	L(mm)	SERIE		
A0000	2	*	2 PEZZI TIPO A		
A0000+M0000	2+2	*	2 PEZZI TIPO B		
*	*	*	*		
*	*	*	*		
CODICE ACCESSORI	N°	L(mm)	NOTE		
*	*	*			
*	*	*			
*	*	*			
*	*	*			



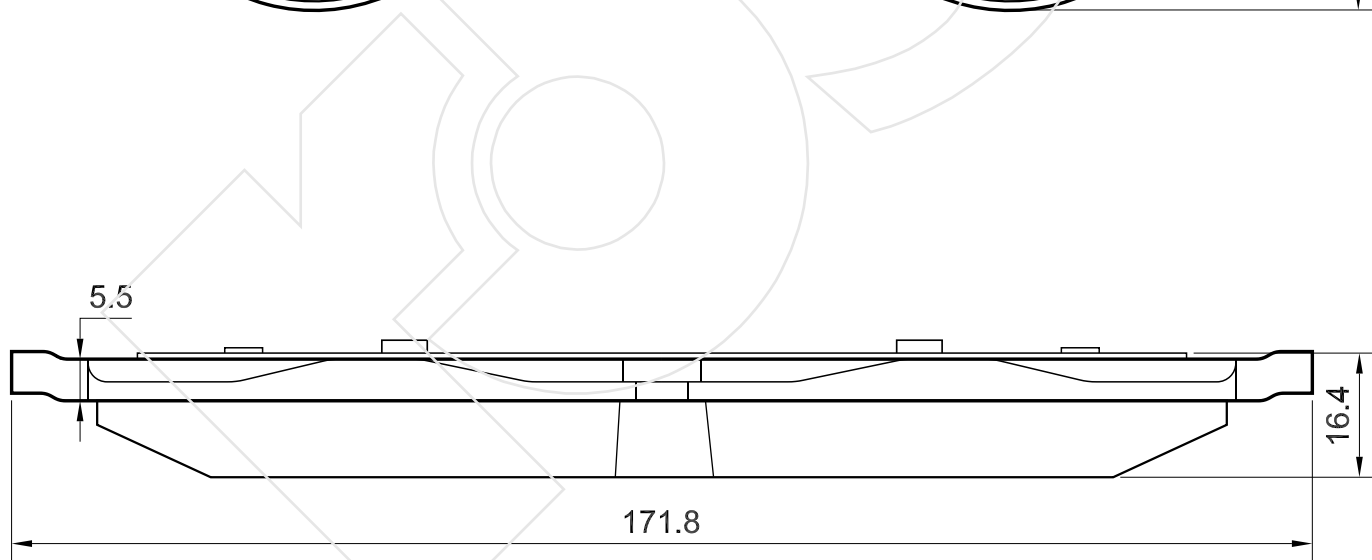
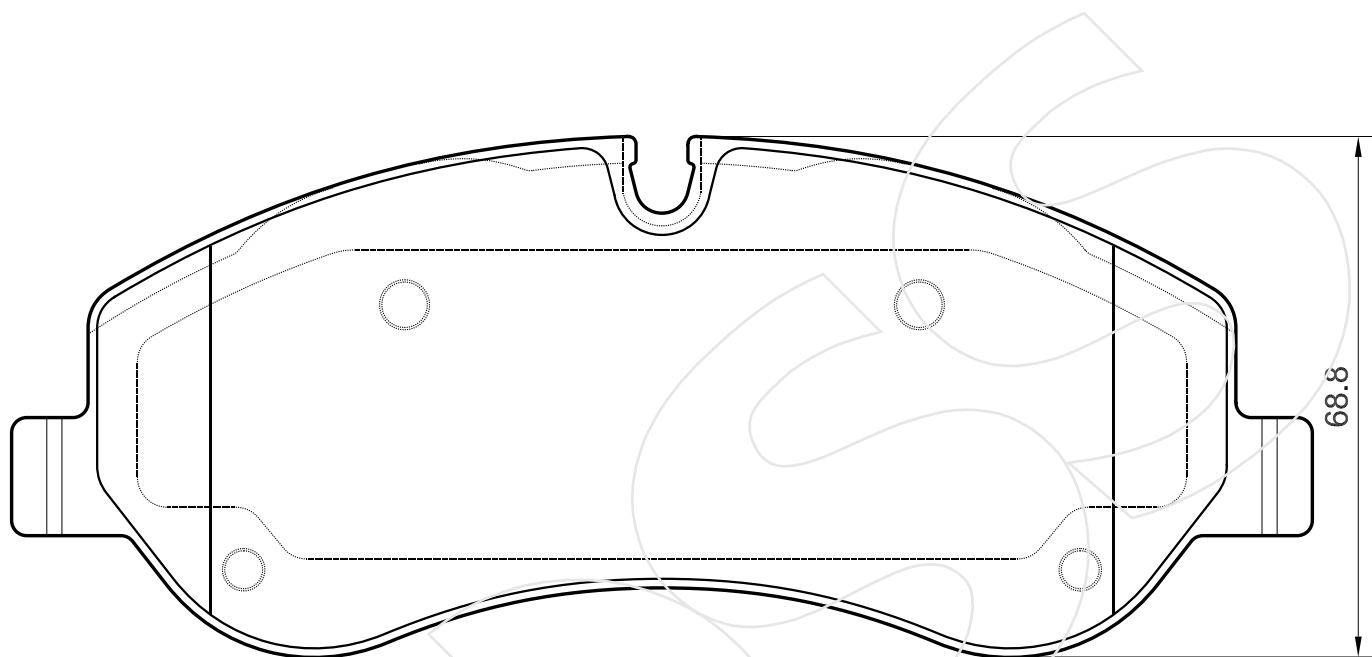
Reference in this Catalogue to other manufactures and to part numbers and other descriptions are for identification purposes only, because the above DISC BRAKE PADS are NOT ORIGINAL but with these interchangeable.

CODICE	IMPIANTO		ASSE	SCALA	APPLICAZIONI
<b>R-1524</b>	TRW		POSTERIORE	100%	FIAT
CODICE COMPONENTI	N°	L(mm)	SERIE		
A0000	2	*	2 PEZZI TIPO A		
A0000+M0000	2+2	*	2 PEZZI TIPO B		
*	*	*	*		
*	*	*	*		
CODICE ACCESSORI	N°	L(mm)	NOTE		
*	*	*			
*	*	*			
*	*	*			
*	*	*			



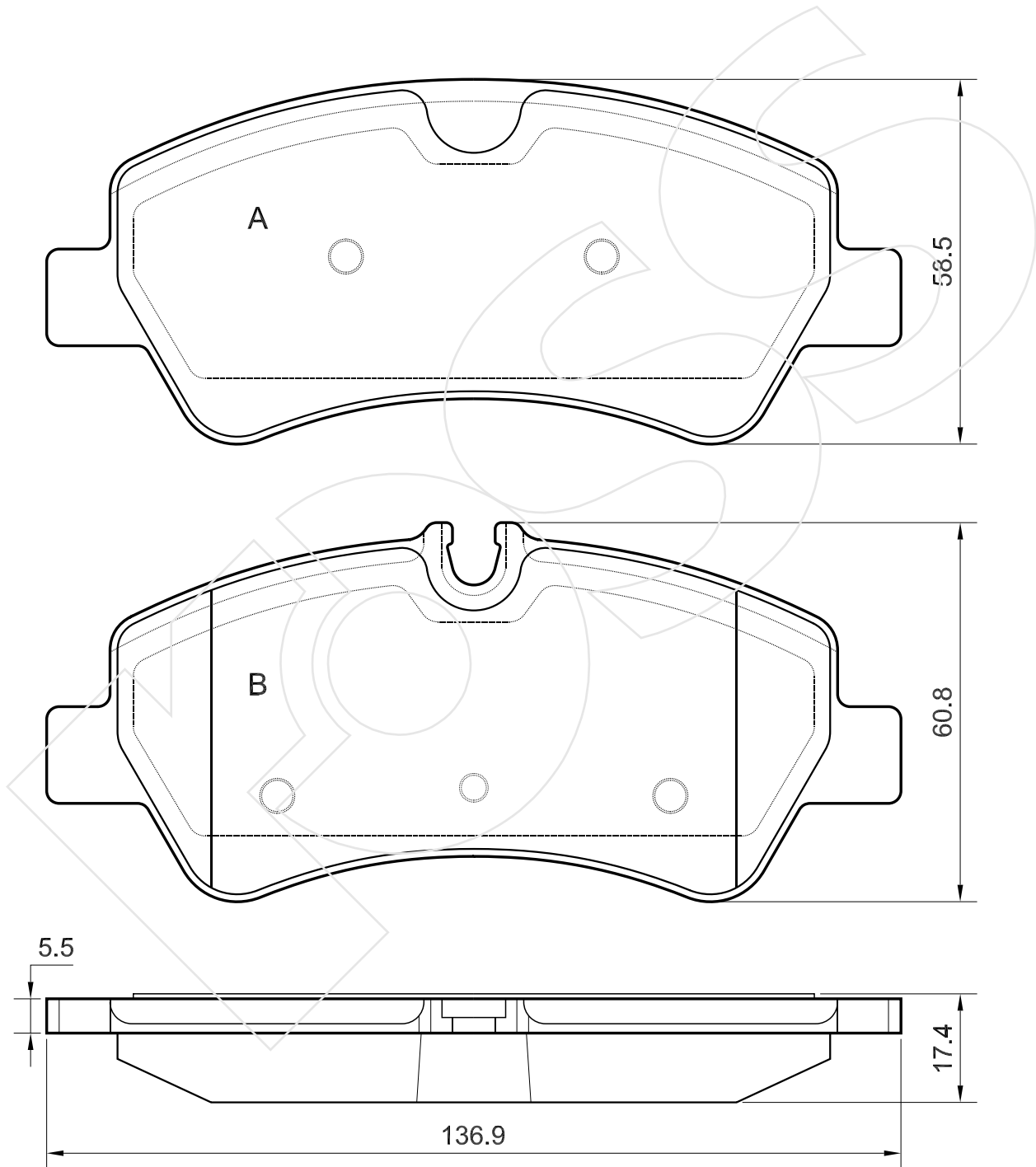
Reference in this Catalogue to other manufactures and to part numbers and other descriptions are for identification purposes only, because the above DISC BRAKE PADS are NOT ORIGINAL but with these interchangeable.

CODICE	IMPIANTO		ASSE	SCALA	APPLICAZIONI
<b>R-1525</b>	TRW		ANTERIORE	100%	FORD
CODICE COMPONENTI	N°	L(mm)	SERIE		
A0000	4	*	4 PEZZI		
*	*	*	*		
*	*	*	*		
*	*	*	*		
CODICE ACCESSORI	N°	L(mm)	NOTE		
*	*	*			
*	*	*			
*	*	*			
*	*	*			



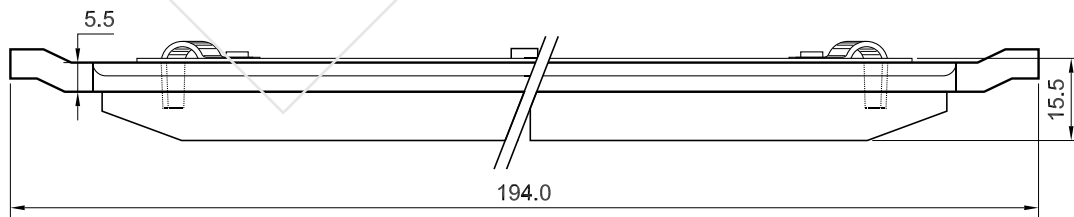
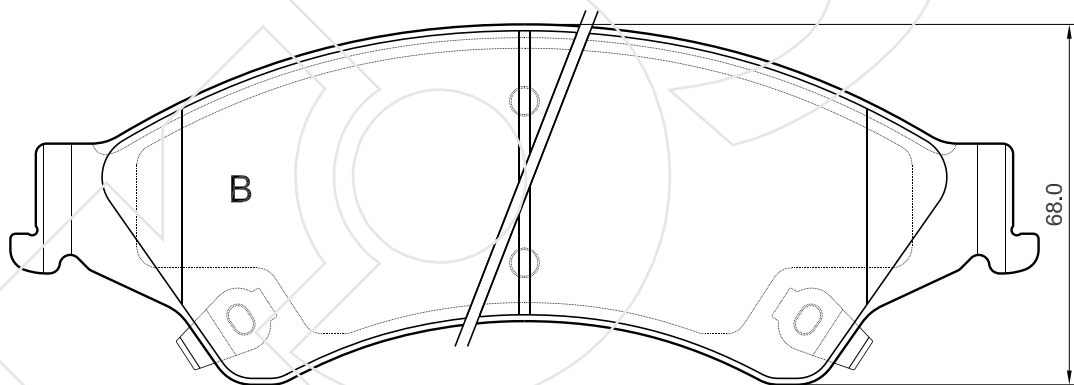
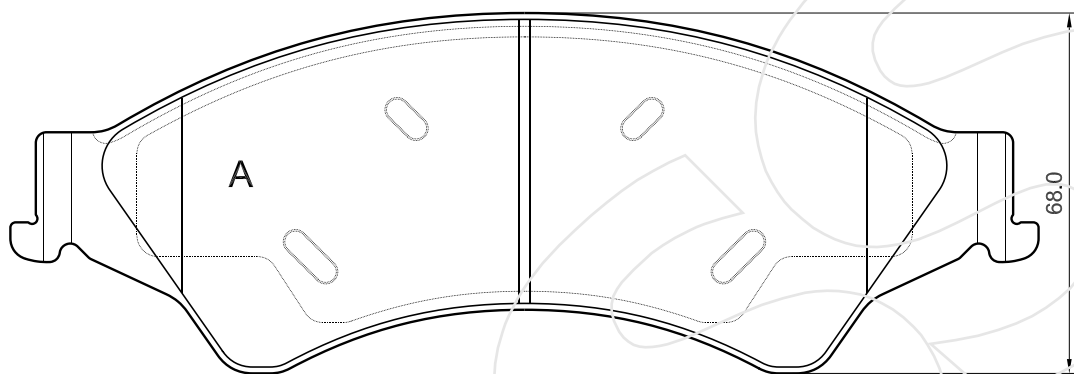
Reference in this Catalogue to other manufactures and to part numbers and other descriptions are for identification purposes only, because the above DISC BRAKE PADS are NOT ORIGINAL but with these interchangeable.

CODICE	IMPIANTO		ASSE	SCALA	APPLICAZIONI
<b>R-1526</b>	TRW		POSTERIORE	100%	FORD TRANSIT KOMBI 2.2 TDCI 12/12-
CODICE COMPONENTI	N°	L(mm)	SERIE		
A0000	2	*	2 PEZZI TIPO A		
A0000	2	*	2 PEZZI TIPO B		
*	*	*	*		
*	*	*	*		
CODICE ACCESSORI	N°	L(mm)	NOTE		
*	*	*			
*	*	*			
*	*	*			
*	*	*			



Reference in this Catalogue to other manufactures and to part numbers and other descriptions are for identification purposes only, because the above DISC BRAKE PADS are NOT ORIGINAL but with these interchangeable.

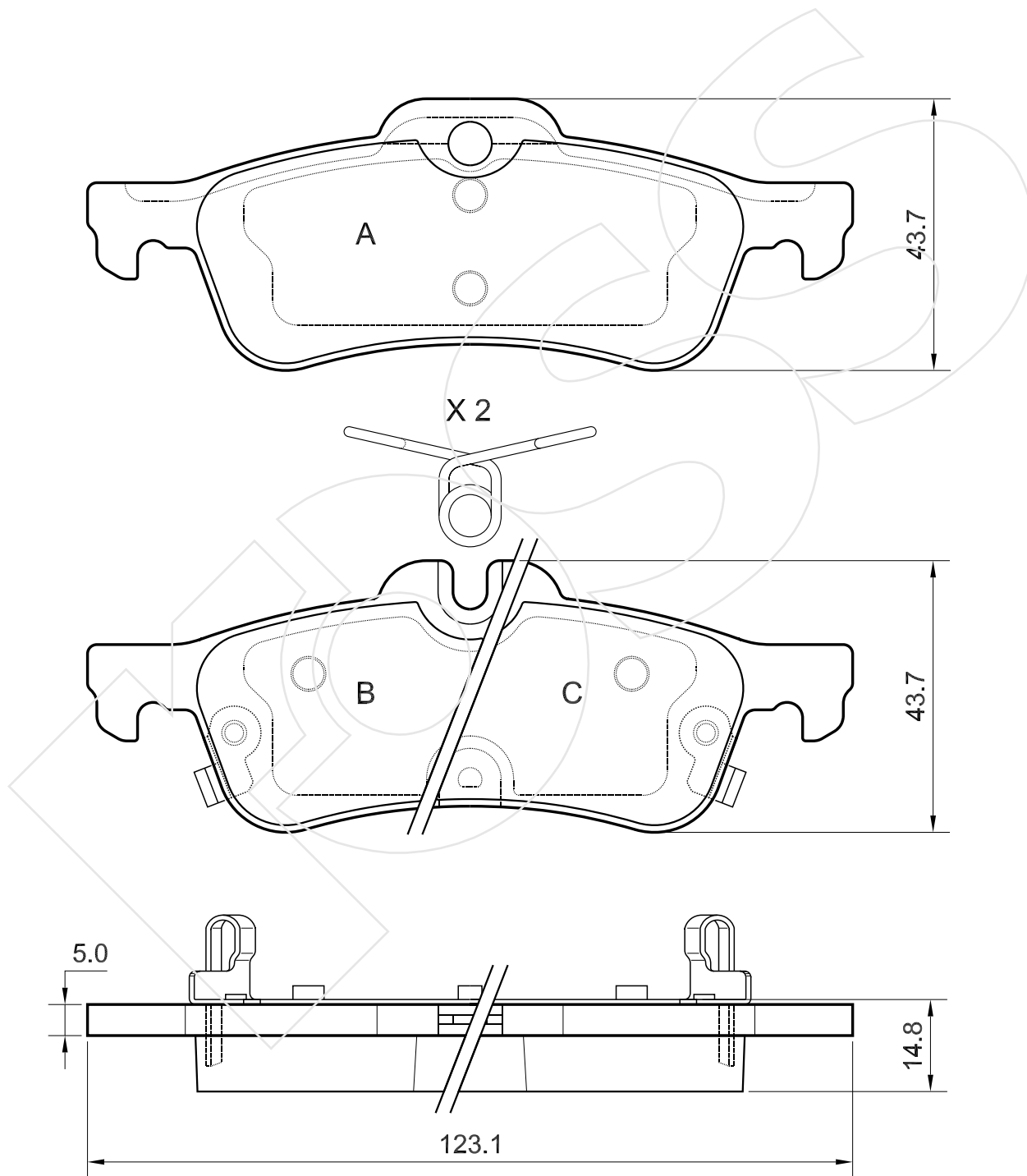
CODICE	IMPIANTO		ASSE	SCALA	APPLICAZIONI
<b>R-1527</b>	WAGNER		ANTERIORE	70%	FORD
CODICE COMPONENTI	N°	L(mm)	SERIE		
A0000	2	*	2 PEZZI TIPO A		
A0000+M0000	2+2	*	2 PEZZI TIPO B		
*	*	*	*		
*	*	*	*		
CODICE ACCESSORI	N°	L(mm)	NOTE		
*	*	*			
*	*	*			
*	*	*			
*	*	*			



Reference in this Catalogue to other manufactures and to part numbers and other descriptions are for identification purposes only, because the above DISC BRAKE PADS are NOT ORIGINAL but with these interchangeable.

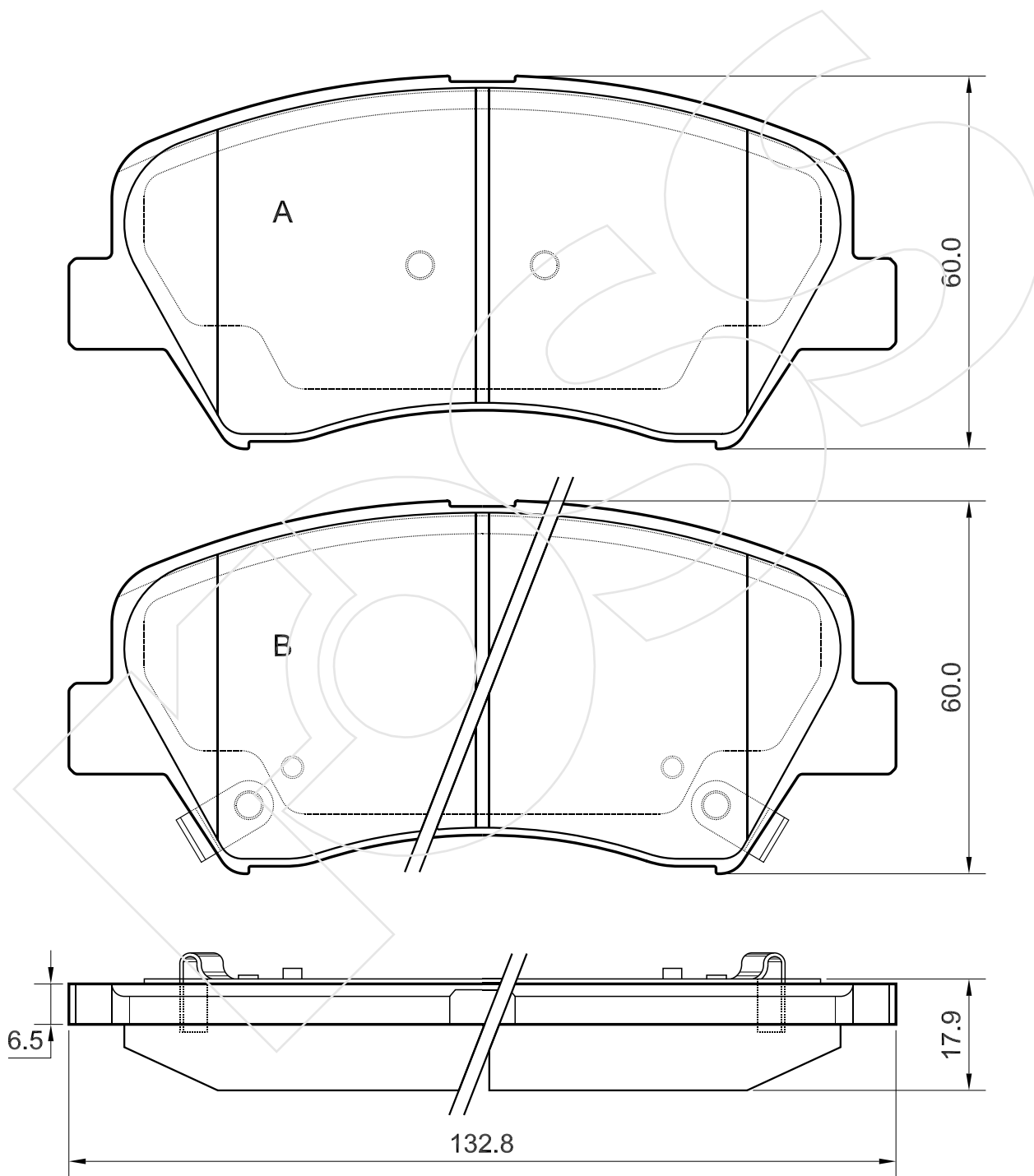


CODICE	IMPIANTO		ASSE	SCALA	APPLICAZIONI
<b>R-1528</b>	ATE		POSTERIORE	100%	HONDA
CODICE COMPONENTI	N°	L(mm)	SERIE		
A0000	2	*	2 PEZZI TIPO A		
A0000+M0094	1+1	*	1 PEZZO TIPO B		
A0000+M0095	1+1	*	1 PEZZO TIPO C		
*	*	*	*		
CODICE ACCESSORI	N°	L(mm)	NOTE		
*	*	*			
*	*	*			
*	*	*			
*	*	*			



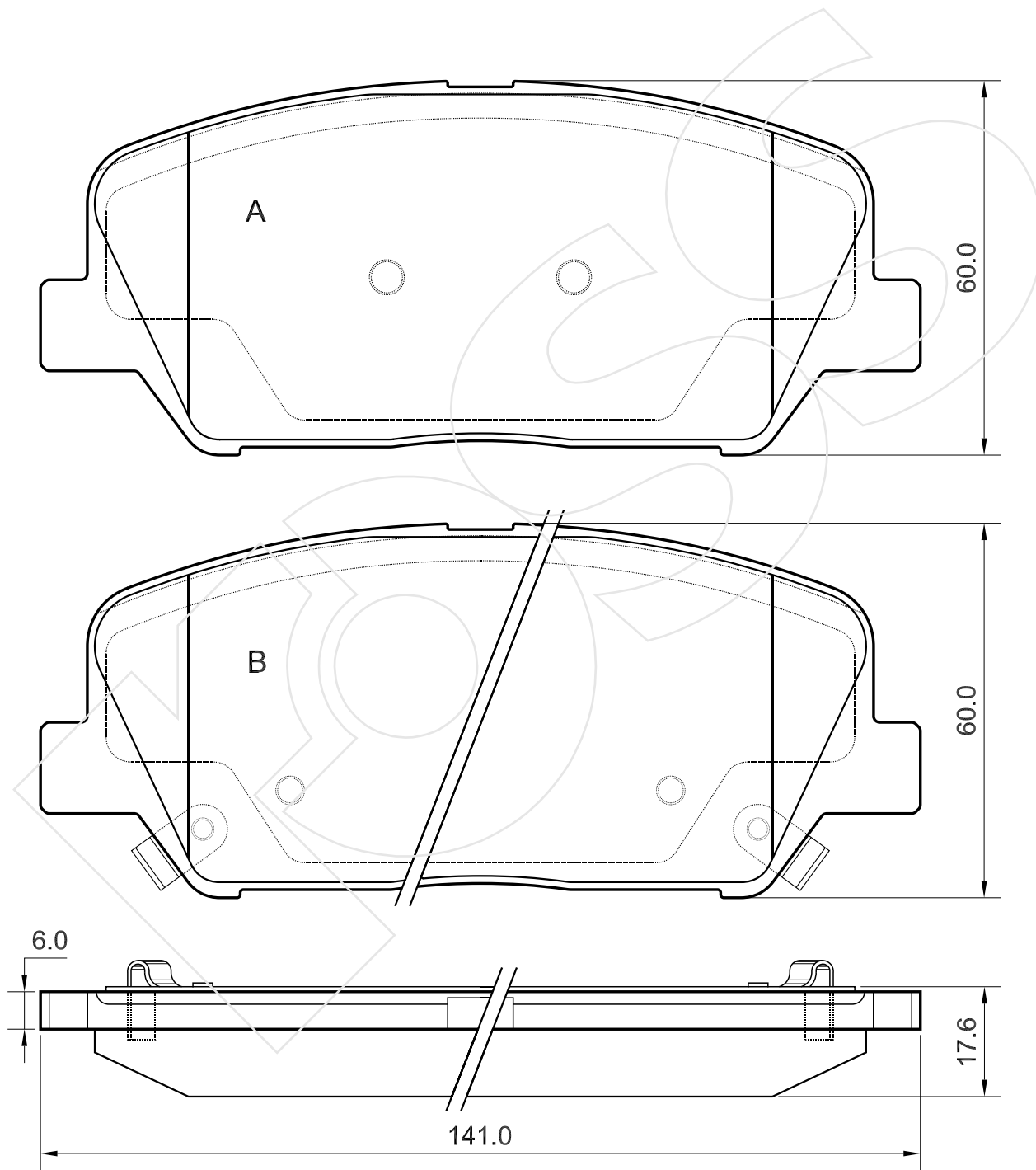
Reference in this Catalogue to other manufactures and to part numbers and other descriptions are for identification purposes only, because the above DISC BRAKE PADS are NOT ORIGINAL but with these interchangeable.

CODICE	IMPIANTO	ASSE	SCALA	APPLICAZIONI
<b>R-1529</b>	BOSCH	ANTERIORE	100%	HYUNDAI
CODICE COMPONENTI	N°	L(mm)	SERIE	
A0000	2	*	2 PEZZI TIPO A	
A0000+M0000	2+2	*	2 PEZZI TIPO B	
*	*	*	*	
*	*	*	*	
CODICE ACCESSORI	N°	L(mm)	NOTE	
*	*	*		
*	*	*		
*	*	*		
*	*	*		



Reference in this Catalogue to other manufactures and to part numbers and other descriptions are for identification purposes only, because the above DISC BRAKE PADS are NOT ORIGINAL but with these interchangeable.

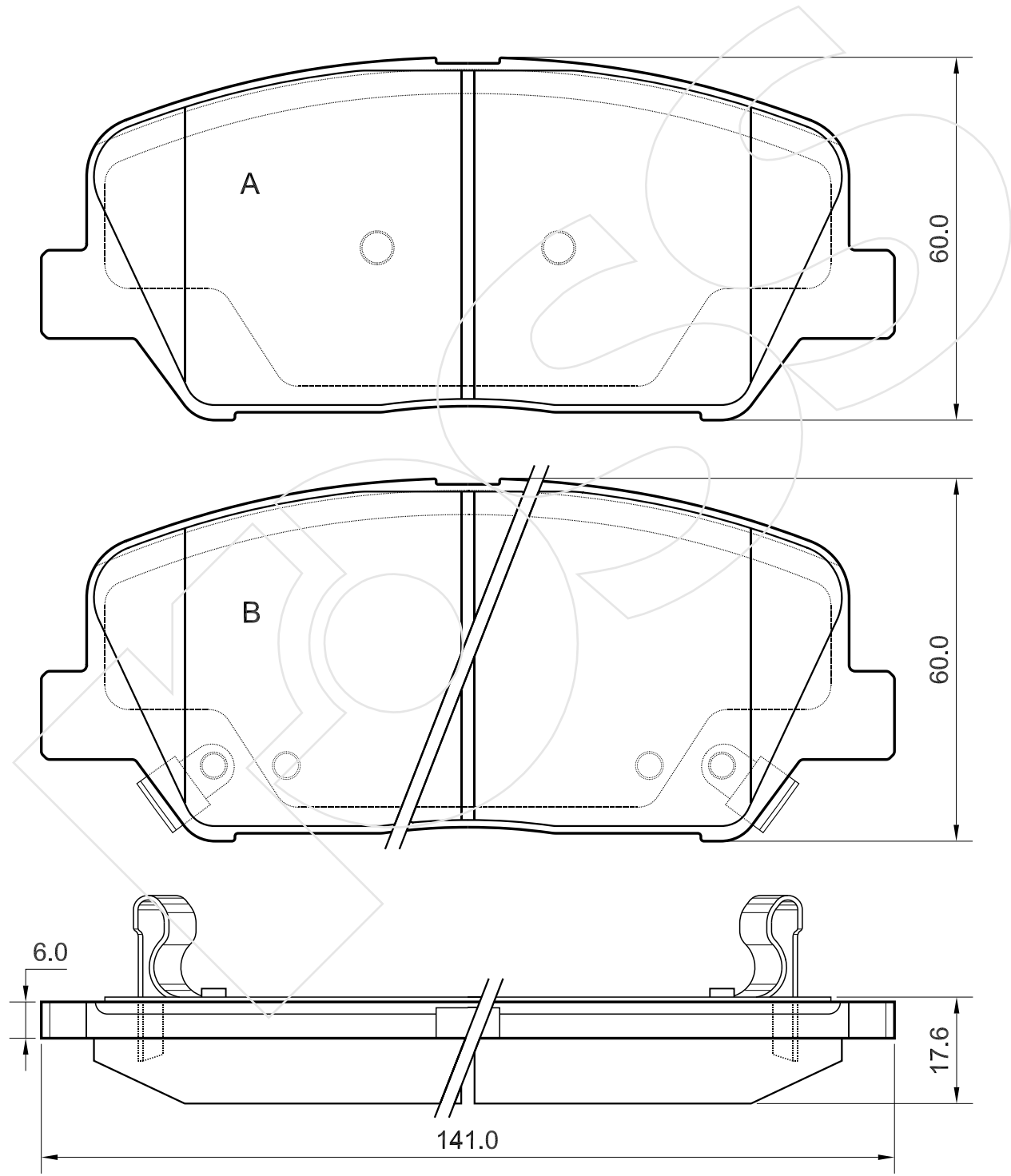
CODICE	IMPIANTO	ASSE	SCALA	APPLICAZIONI
<b>R-1530</b>	SUMITOMO	ANTERIORE	100%	HYUNDAI
CODICE COMPONENTI	N°	L(mm)	SERIE	
A0000	2	*	2 PEZZI TIPO A	
A0000+M0000	2+2	*	2 PEZZI TIPO B	
*	*	*	*	
*	*	*	*	
CODICE ACCESSORI	N°	L(mm)	NOTE	
*	*	*		
*	*	*		
*	*	*		
*	*	*		



Reference in this Catalogue to other manufactures and to part numbers and other descriptions are for identification purposes only, because the above DISC BRAKE PADS are NOT ORIGINAL but with these interchangeable.

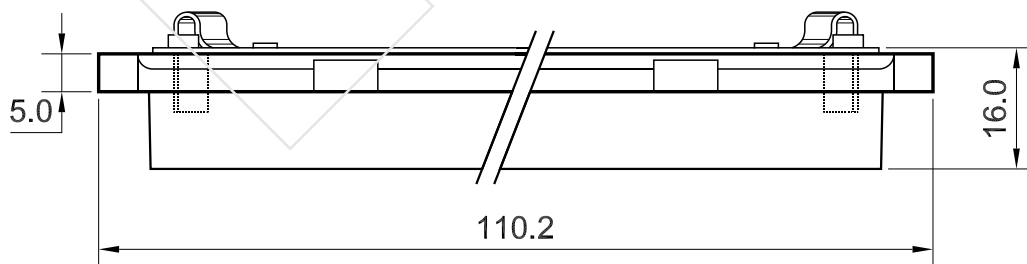
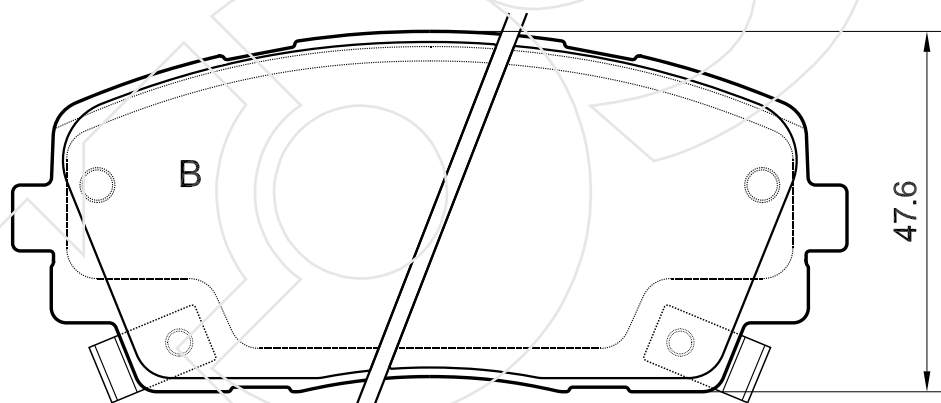
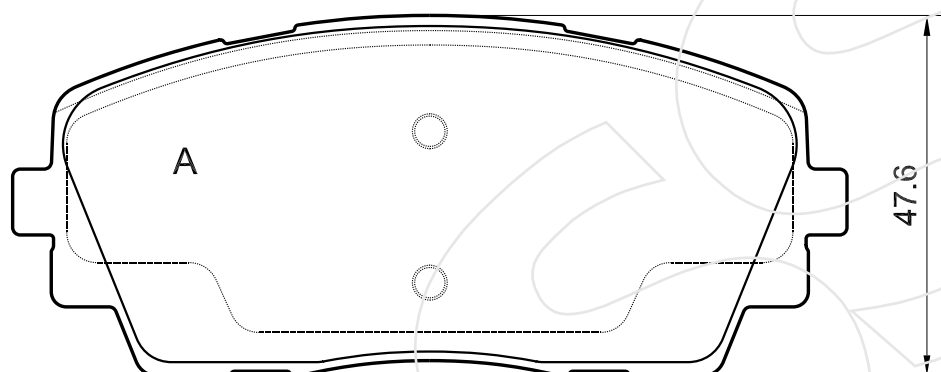
CODICE	IMPIANTO		ASSE	SCALA	APPLICAZIONI
<b>R-1531</b>	SUMITOMO		ANTERIORE	100%	KIA
CODICE COMPONENTI	N°	L(mm)	SERIE		
A0000	2	*	2 PEZZI TIPO A		
A0000+M0000	2+2	*	2 PEZZI TIPO B		
*	*	*	*		
*	*	*	*		
CODICE ACCESSORI	N°	L(mm)	NOTE		
*	*	*			
*	*	*			
*	*	*			
*	*	*			

HYUNDAI



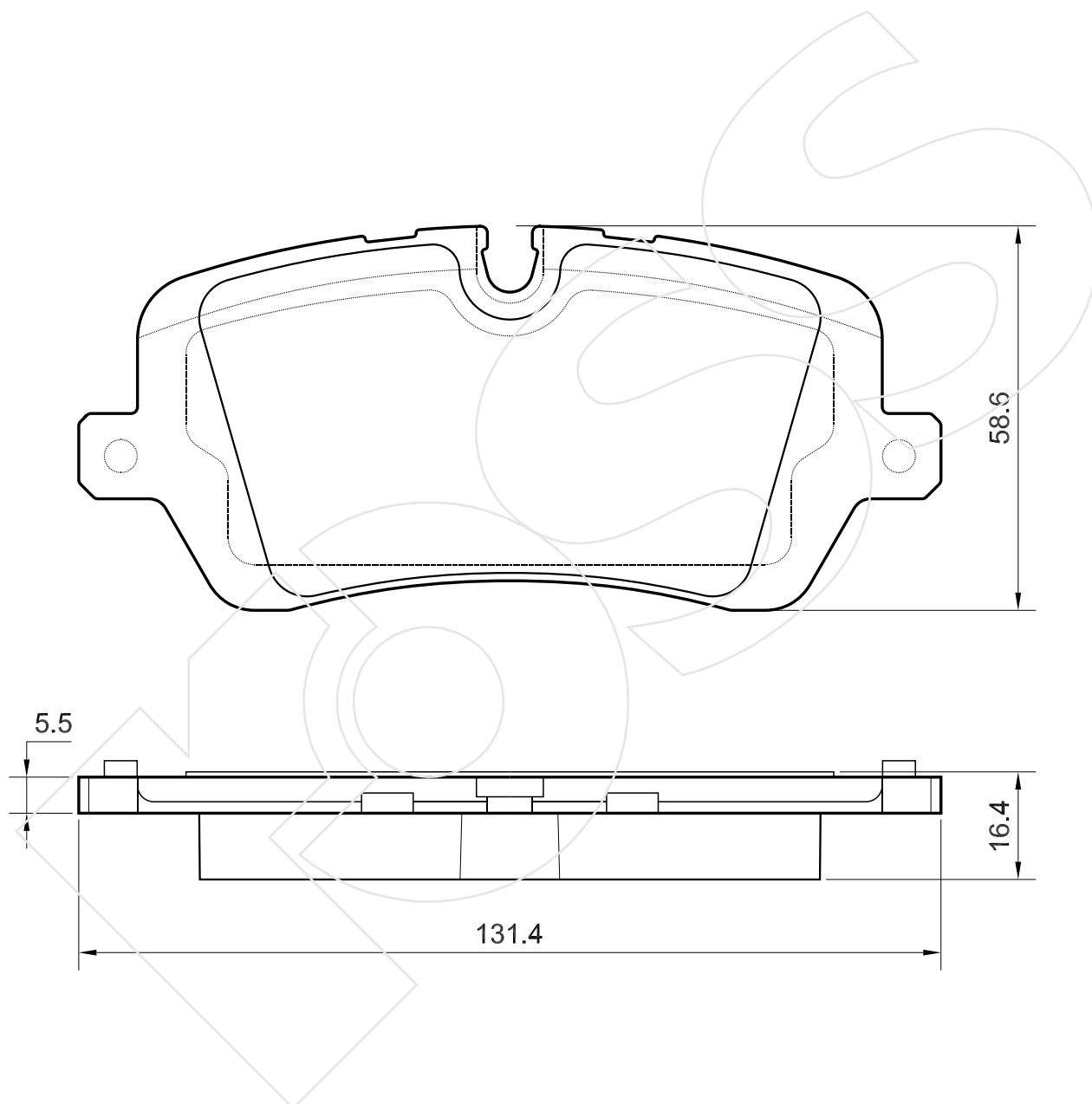
Reference in this Catalogue to other manufactures and to part numbers and other descriptions are for identification purposes only, because the above DISC BRAKE PADS are NOT ORIGINAL but with these interchangeable.

CODICE	IMPIANTO		ASSE	SCALA	APPLICAZIONI
<b>R-1532</b>	MANDO		ANTERIORE	100%	KIA
CODICE COMPONENTI	N°	L(mm)	SERIE		
A0000	2	*	2 PEZZI TIPO A		
A0000+M0000	2+2	*	2 PEZZI TIPO B		
*	*	*	*		
*	*	*	*		
CODICE ACCESSORI	N°	L(mm)	NOTE		
*	*	*			
*	*	*			
*	*	*			
*	*	*			



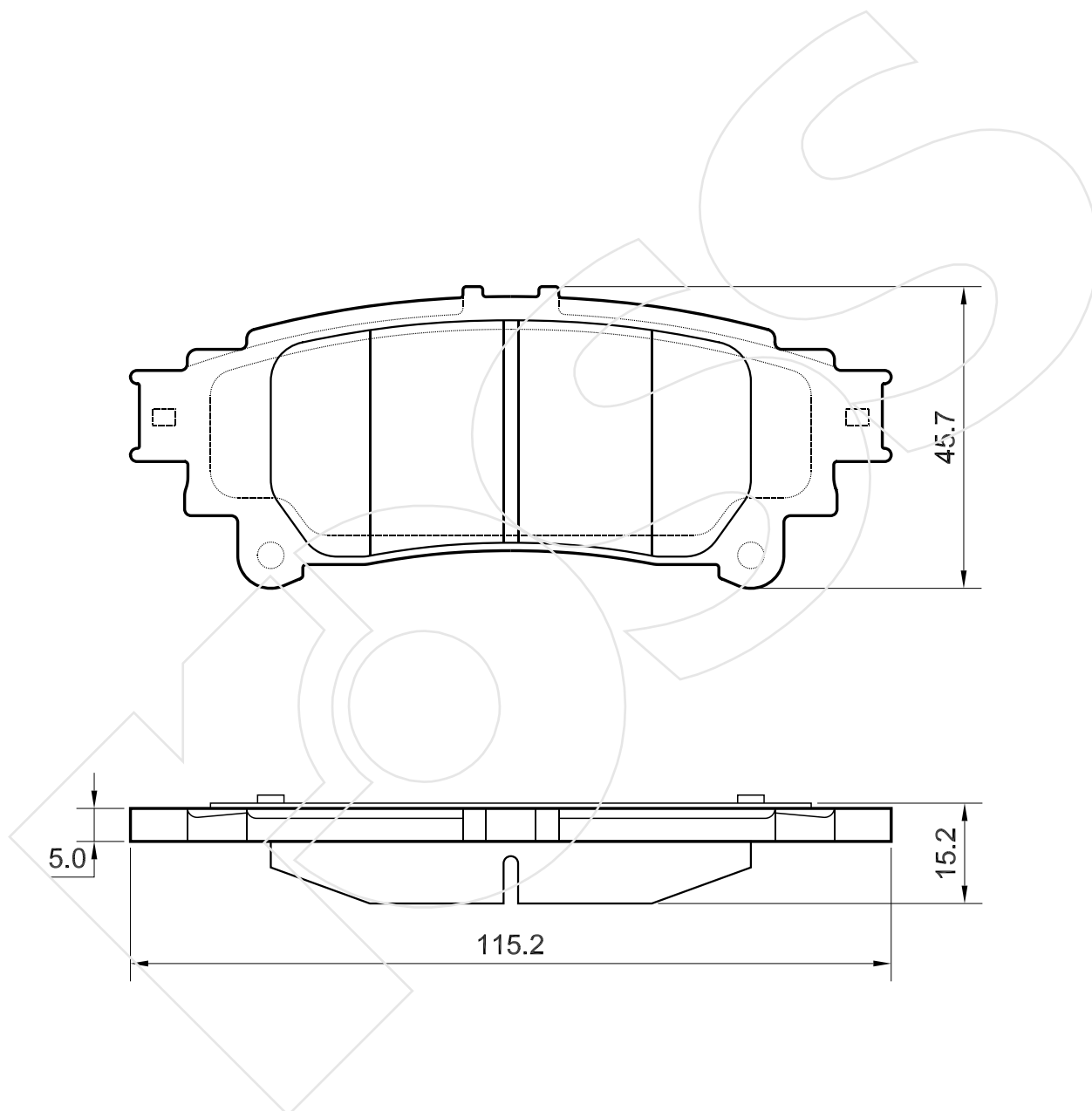
Reference in this Catalogue to other manufactures and to part numbers and other descriptions are for identification purposes only, because the above DISC BRAKE PADS are NOT ORIGINAL but with these interchangeable.

CODICE	IMPIANTO		ASSE	SCALA	APPLICAZIONI
<b>R-1533</b>	TRW		POSTERIORE	100%	RANGE ROVER
CODICE COMPONENTI	N°	L(mm)	SERIE		
A0000	4	*	4 PEZZI		
*	*	*	*		
*	*	*	*		
*	*	*	*		
CODICE ACCESSORI	N°	L(mm)	NOTE		
*	*	*			
*	*	*			
*	*	*			
*	*	*			



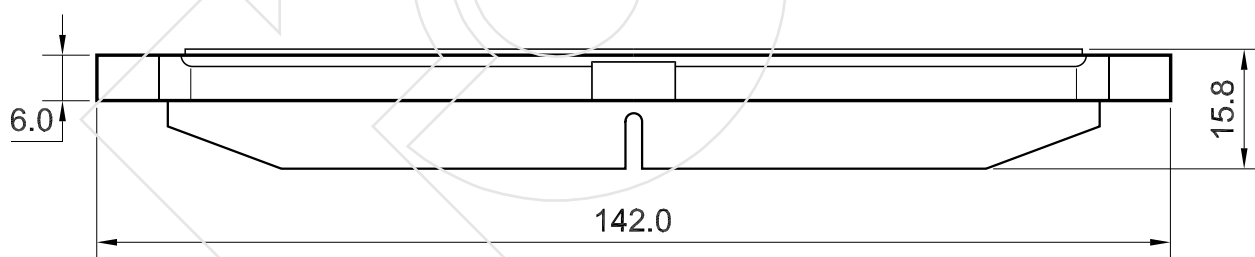
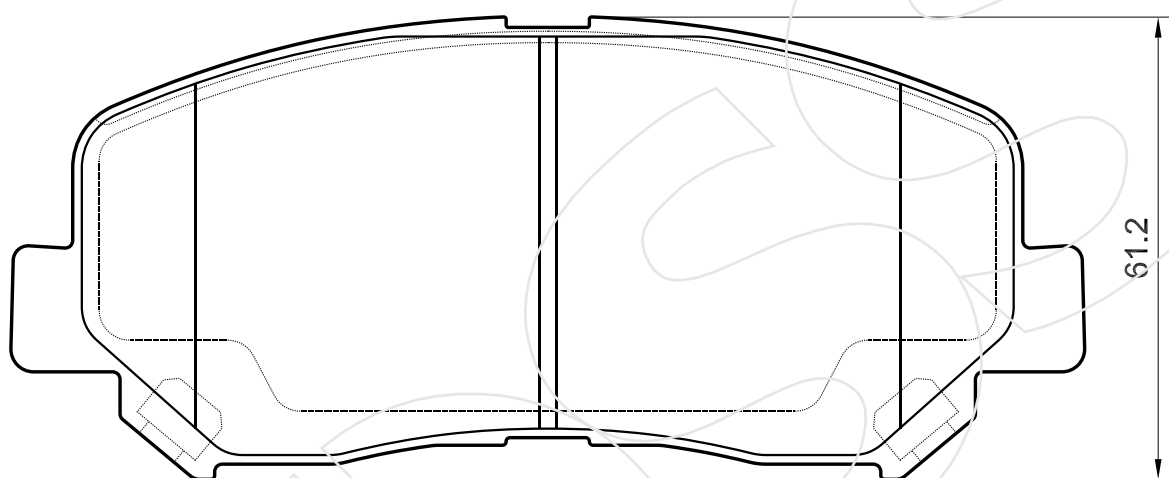
Reference in this Catalogue to other manufactures and to part numbers and other descriptions are for identification purposes only, because the above DISC BRAKE PADS are NOT ORIGINAL but with these interchangeable.

CODICE	IMPIANTO		ASSE	SCALA	APPLICAZIONI
<b>R-1534</b>	AKEBONO		POSTERIORE	100%	TOYOTA
CODICE COMPONENTI	N°	L(mm)	SERIE		LEXUS
A0000	4	*	4 PEZZI		
*	*	*	*		
*	*	*	*		
CODICE ACCESSORI	N°	L(mm)	NOTE		
*	*	*			
*	*	*			
*	*	*			
*	*	*			



Reference in this Catalogue to other manufactures and to part numbers and other descriptions are for identification purposes only, because the above DISC BRAKE PADS are NOT ORIGINAL but with these interchangeable.

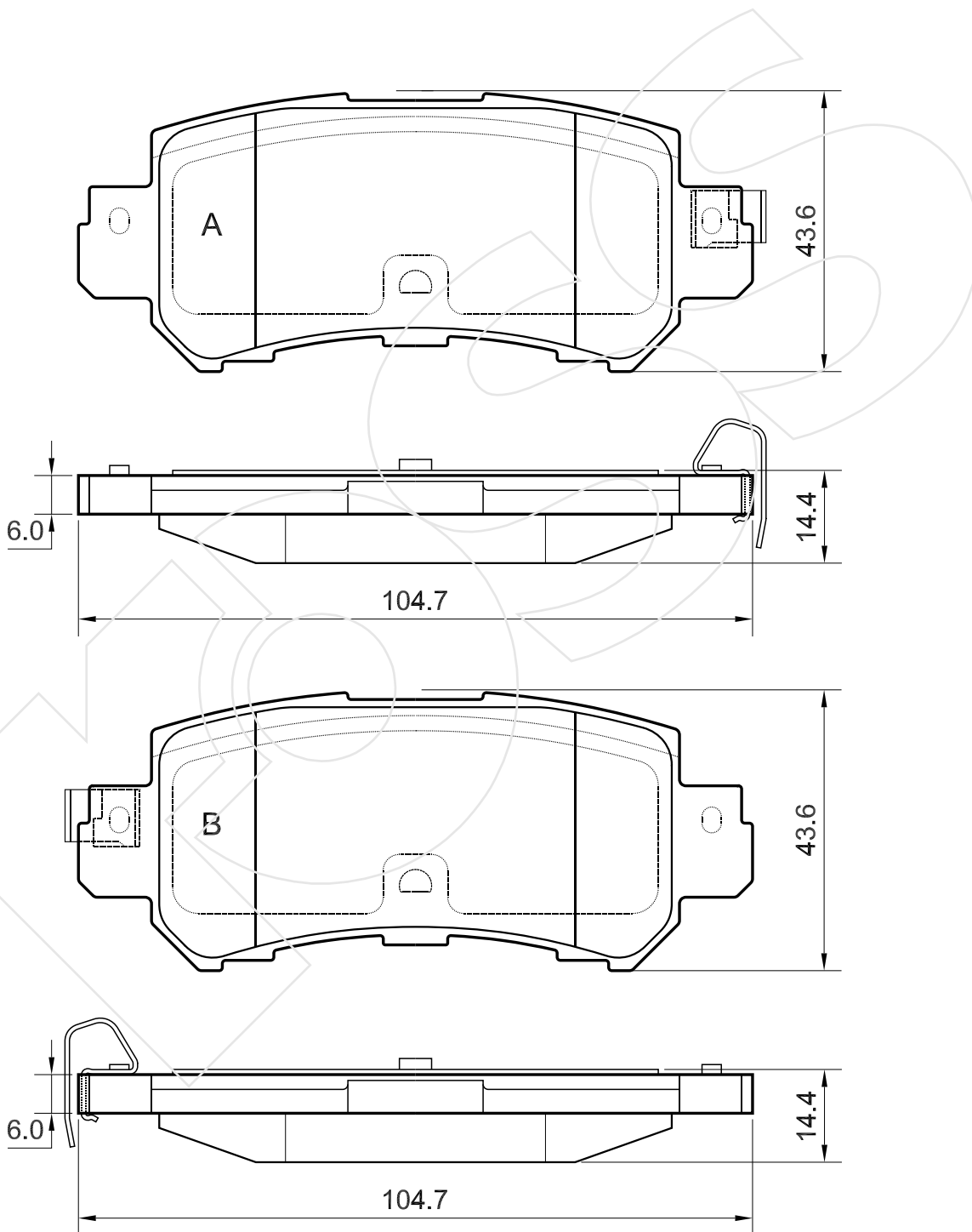
CODICE	IMPIANTO		ASSE	SCALA	APPLICAZIONI
<b>R-1535</b>	AKEBONO		ANTERIORE	100%	MAZDA
CODICE COMPONENTI	N°	L(mm)	SERIE		
A0000	4	*	4 PEZZI		
*	*	*	*		
*	*	*	*		
*	*	*	*		
CODICE ACCESSORI	N°	L(mm)	NOTE		
*	*	*			
*	*	*			
*	*	*			
*	*	*			



Reference in this Catalogue to other manufactures and to part numbers and other descriptions are for identification purposes only, because the above DISC BRAKE PADS are NOT ORIGINAL but with these interchangeable.

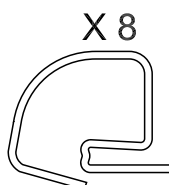
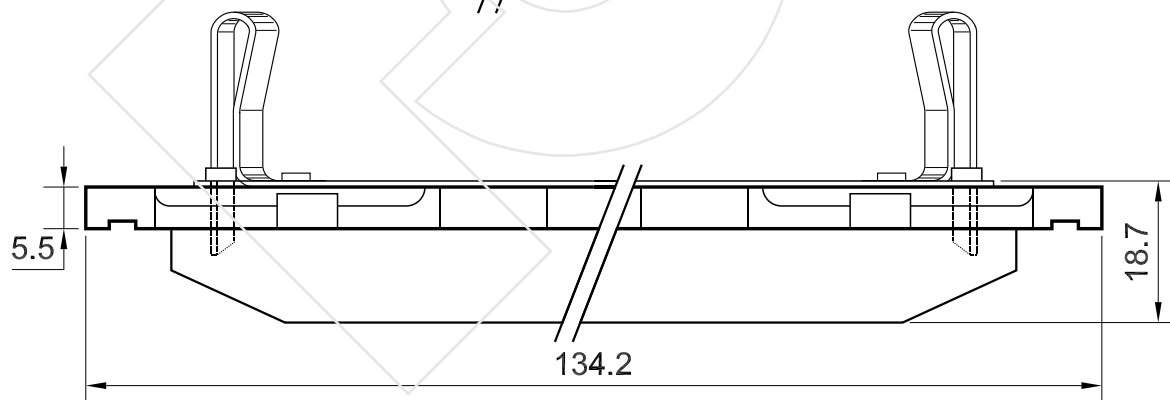
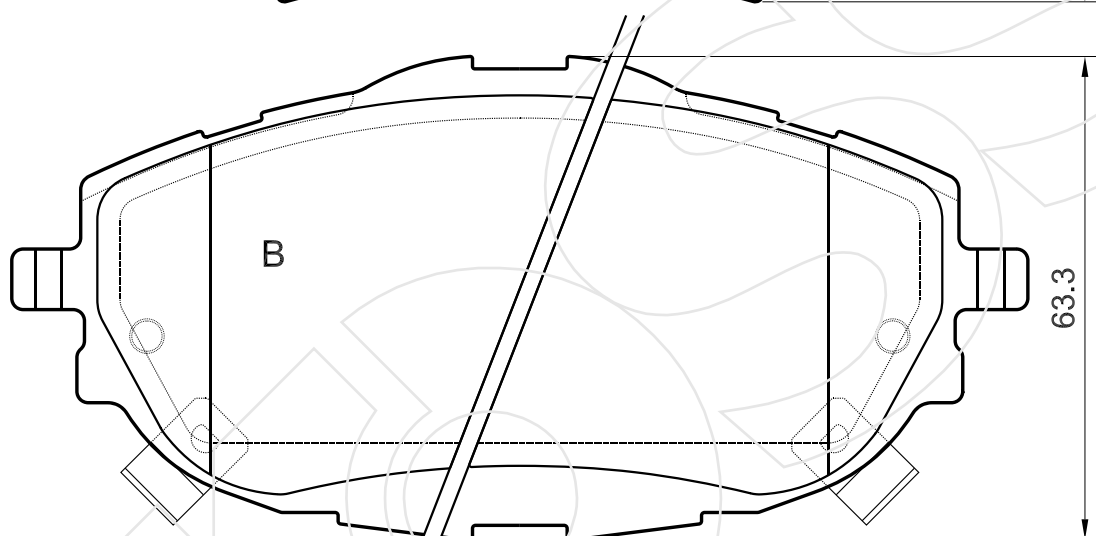
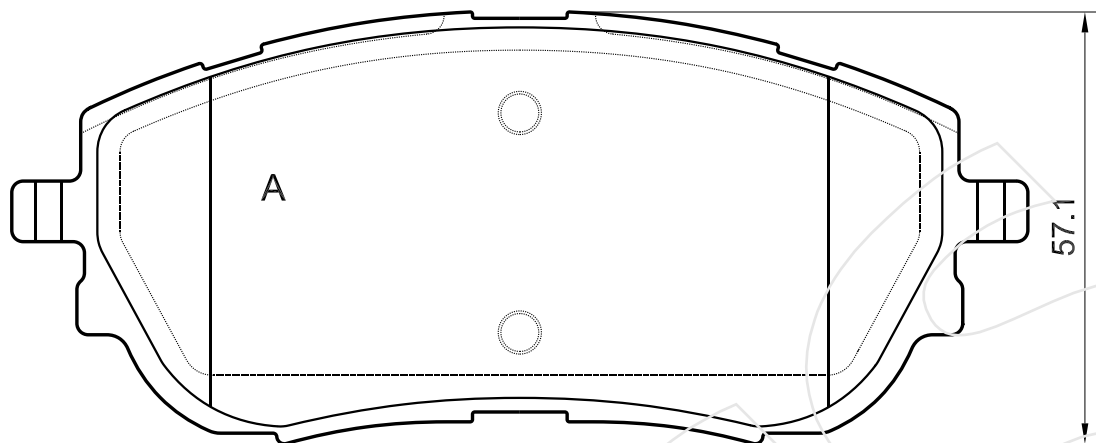


CODICE	IMPIANTO		ASSE	SCALA	APPLICAZIONI
<b>R-1536</b>	AKEBONO		POSTERIORE	100%	MAZDA
CODICE COMPONENTI	N°	L(mm)	SERIE		
A0000+M0000	2+2	*	2 PEZZI TIPO A		
A0000+M0000	2+2	*	2 PEZZI TIPO B		
*	*	*	*		
*	*	*	*		
CODICE ACCESSORI	N°	L(mm)	NOTE		
*	*	*			
*	*	*			
*	*	*			
*	*	*			



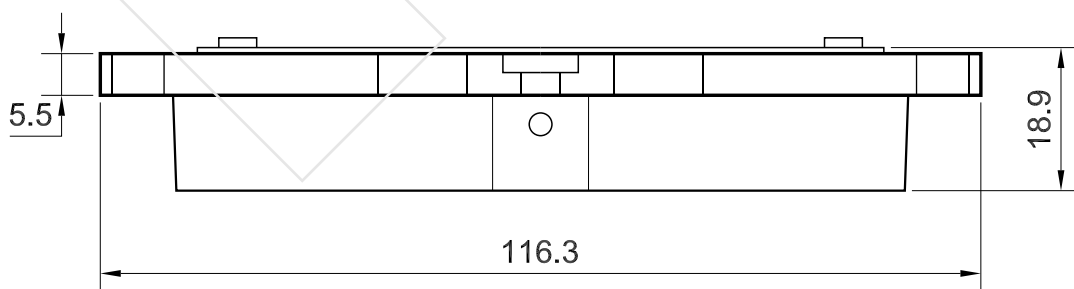
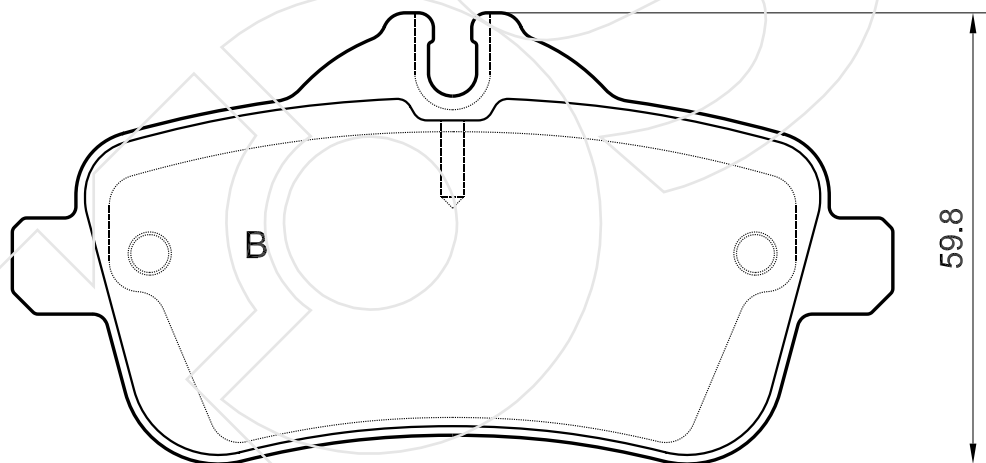
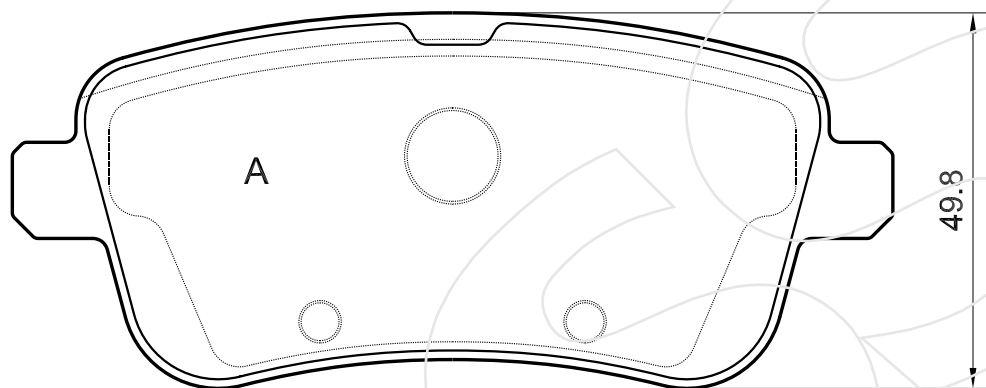
Reference in this Catalogue to other manufactures and to part numbers and other descriptions are for identification purposes only, because the above DISC BRAKE PADS are NOT ORIGINAL but with these interchangeable.

CODICE	IMPIANTO		ASSE	SCALA	APPLICAZIONI
<b>R-1537</b>	BOSCH		ANTERIORE	100%	TOYOTA
CODICE COMPONENTI	N°	L(mm)	SERIE		
A0000	2	*	2 PEZZI TIPO A		
A0000+M0000	2+2	*	2 PEZZI TIPO B		
*	*	*	*		
*	*	*	*		
CODICE ACCESSORI	N°	L(mm)	NOTE		
*	*	*			
*	*	*			
*	*	*			
*	*	*			



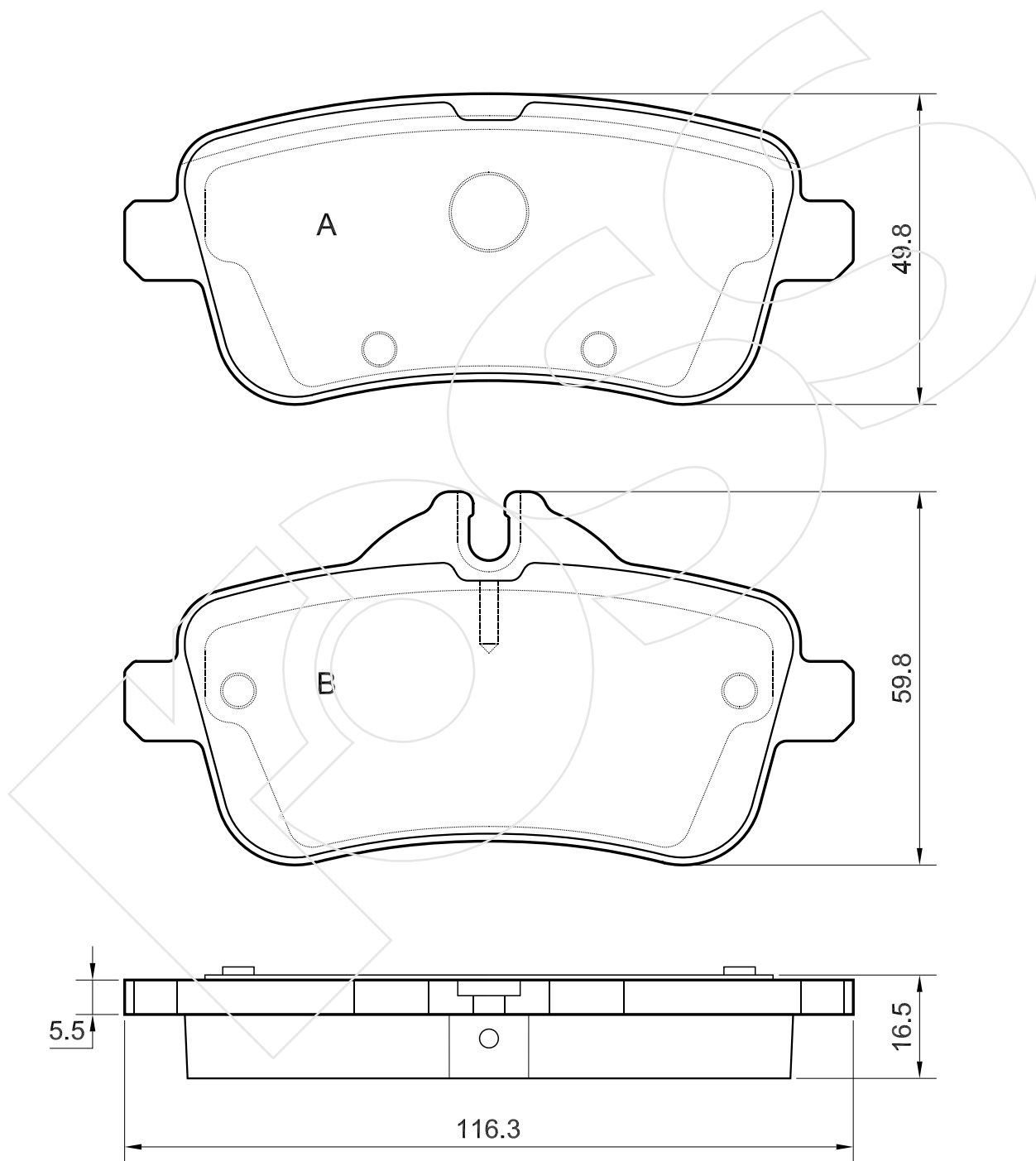
Reference in this Catalogue to other manufactures and to part numbers and other descriptions are for identification purposes only, because the above DISC BRAKE PADS are NOT ORIGINAL but with these interchangeable.

CODICE	IMPIANTO		ASSE	SCALA	APPLICAZIONI
<b>R-1538</b>	TRW		POSTERIORE	100%	MERCEDES
CODICE COMPONENTI	N°	L(mm)	SERIE		
A0000	2	*	2 PEZZI TIPO A		
A0000	2	*	2 PEZZI TIPO B		
*	*	*	*		
*	*	*	*		
CODICE ACCESSORI	N°	L(mm)	NOTE		
*	*	*			
*	*	*			
*	*	*			
*	*	*			



Reference in this Catalogue to other manufactures and to part numbers and other descriptions are for identification purposes only, because the above DISC BRAKE PADS are NOT ORIGINAL but with these interchangeable.

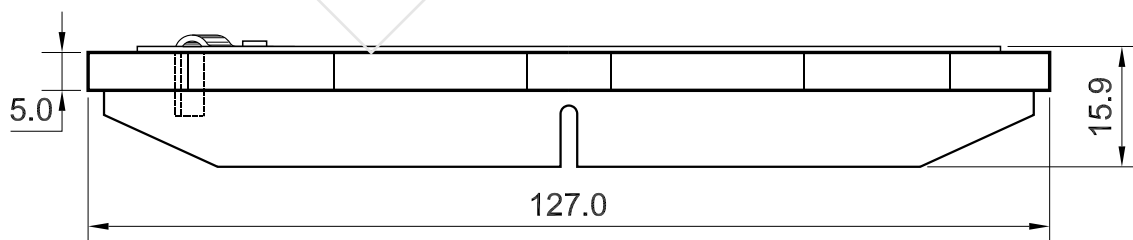
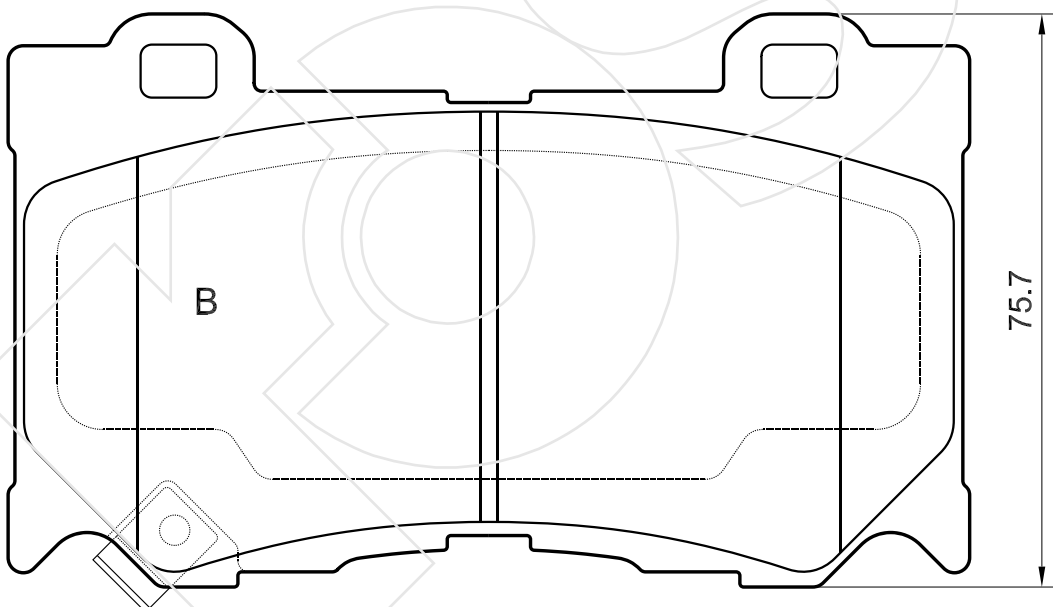
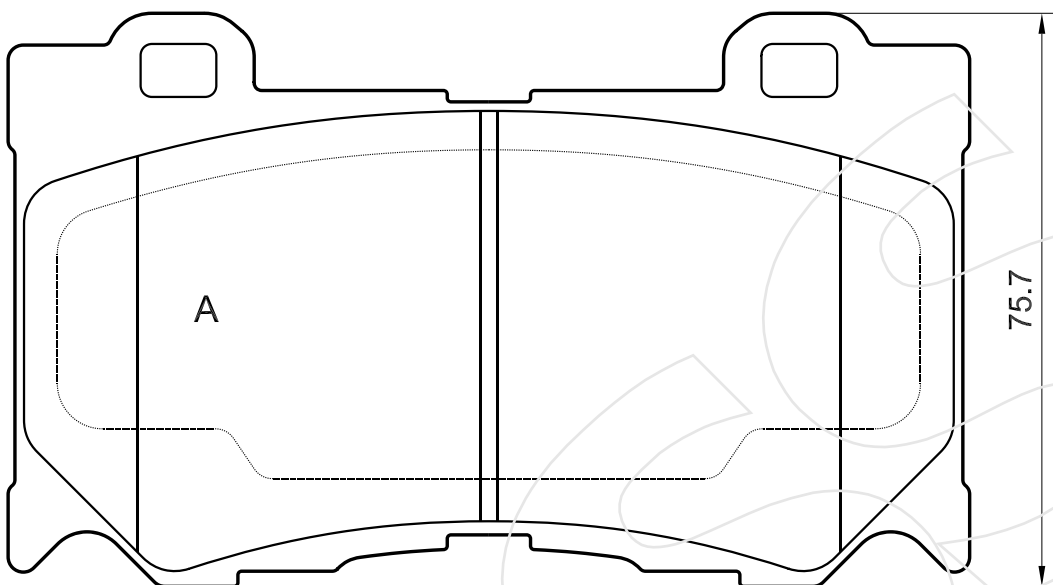
CODICE	IMPIANTO		ASSE	SCALA	APPLICAZIONI
<b>R-1539</b>	TRW		POSTERIORE	100%	MERCEDES
CODICE COMPONENTI	N°	L(mm)	SERIE		
A0000	2	*	2 PEZZI TIPO A		
A0000	2	*	2 PEZZI TIPO B		
*	*	*	*		
*	*	*	*		
CODICE ACCESSORI	N°	L(mm)	NOTE		
*	*	*			
*	*	*			
*	*	*			
*	*	*			



Reference in this Catalogue to other manufactures and to part numbers and other descriptions are for identification purposes only, because the above DISC BRAKE PADS are NOT ORIGINAL but with these interchangeable.

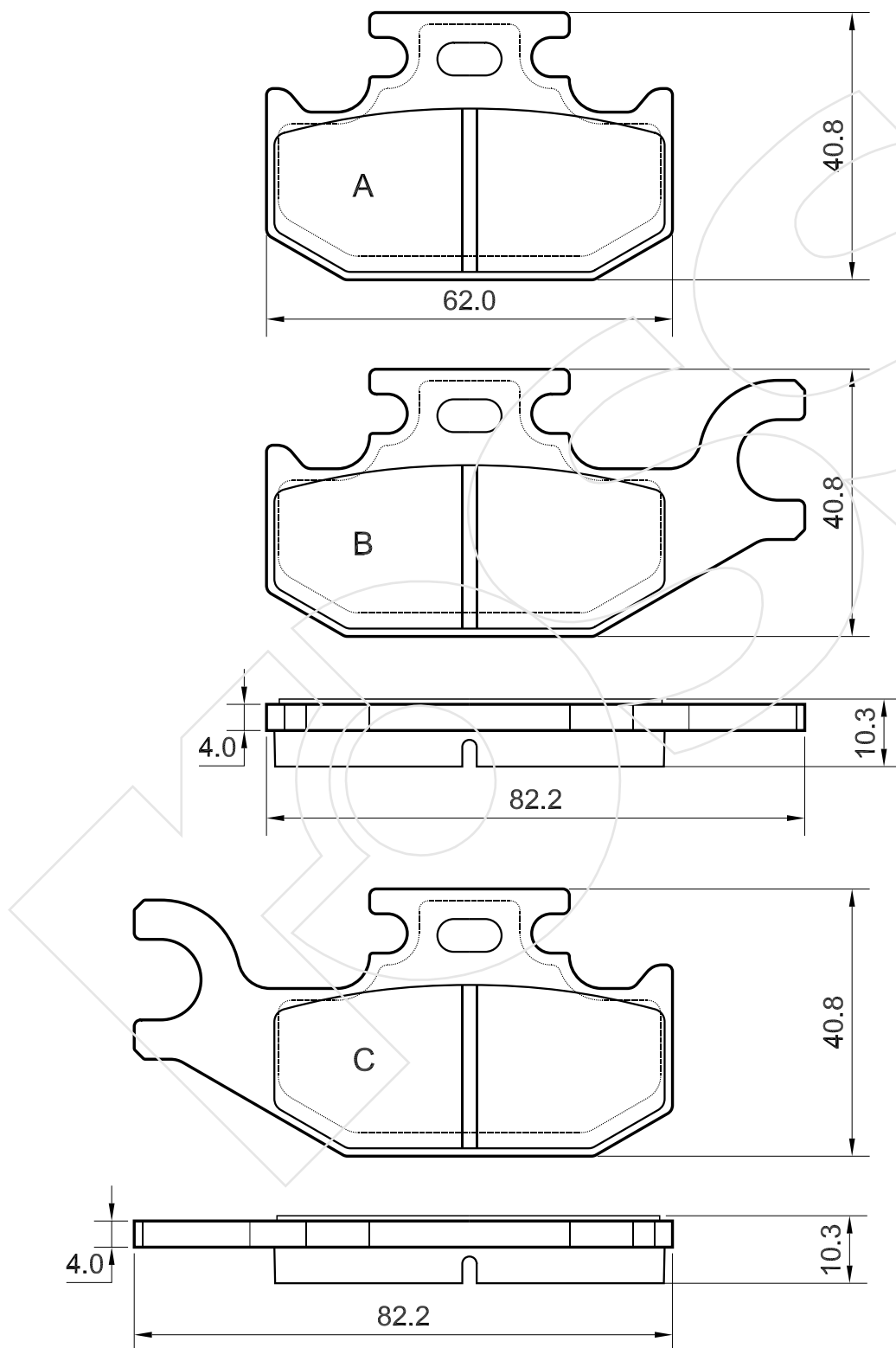
CODICE	IMPIANTO		ASSE	SCALA	APPLICAZIONI
<b>R-1540</b>	AKEBONO		ANTERIORE	100%	NISSAN
CODICE COMPONENTI	N°	L(mm)	SERIE		
A0000	2	*	2 PEZZI TIPO A		
A0000+M000	2+2	*	2 PEZZI TIPO B		
*	*	*	*		
*	*	*	*		
CODICE ACCESSORI	N°	L(mm)	NOTE		
*	*	*			
*	*	*			
*	*	*			
*	*	*			

INFINITY



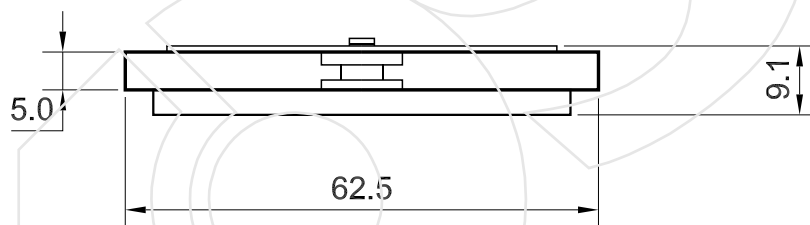
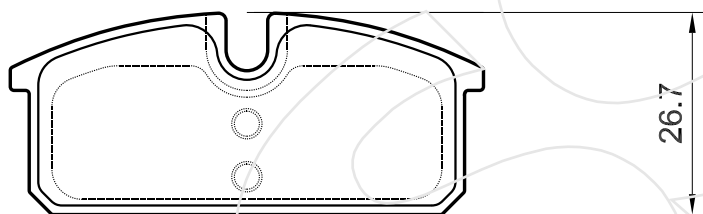
Reference in this Catalogue to other manufactures and to part numbers and other descriptions are for identification purposes only, because the above DISC BRAKE PADS are NOT ORIGINAL but with these interchangeable.

CODICE	IMPIANTO	ASSE	SCALA	APPLICAZIONI
<b>R-1541</b>	*	ANTERIORE	100%	RENAULT
CODICE COMPONENTI	N°	L(mm)	SERIE	
A0000	2	*	2 PEZZI TIPO A	
A0000	1	*	1 PEZZO TIPO B	
A0000	1	*	1 PEZZO TIPO C	
*	*	*	*	
CODICE ACCESSORI	N°	L(mm)	NOTE	
*	*	*		
*	*	*		
*	*	*		
*	*	*		

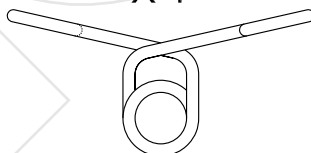


Reference in this Catalogue to other manufactures and to part numbers and other descriptions are for identification purposes only, because the above DISC BRAKE PADS are NOT ORIGINAL but with these interchangeable.

CODICE	IMPIANTO		ASSE	SCALA	APPLICAZIONI
<b>R-1542</b>	TRW		POSTERIORE	100%	RENAULT
CODICE COMPONENTI	N°	L(mm)	SERIE		
A0000+M0000	4+4	*	4 PEZZI		
*	*	*	*		
*	*	*	*		
*	*	*	*		
CODICE ACCESSORI	N°	L(mm)	NOTE		
*	*	*			
*	*	*			
*	*	*			
*	*	*			

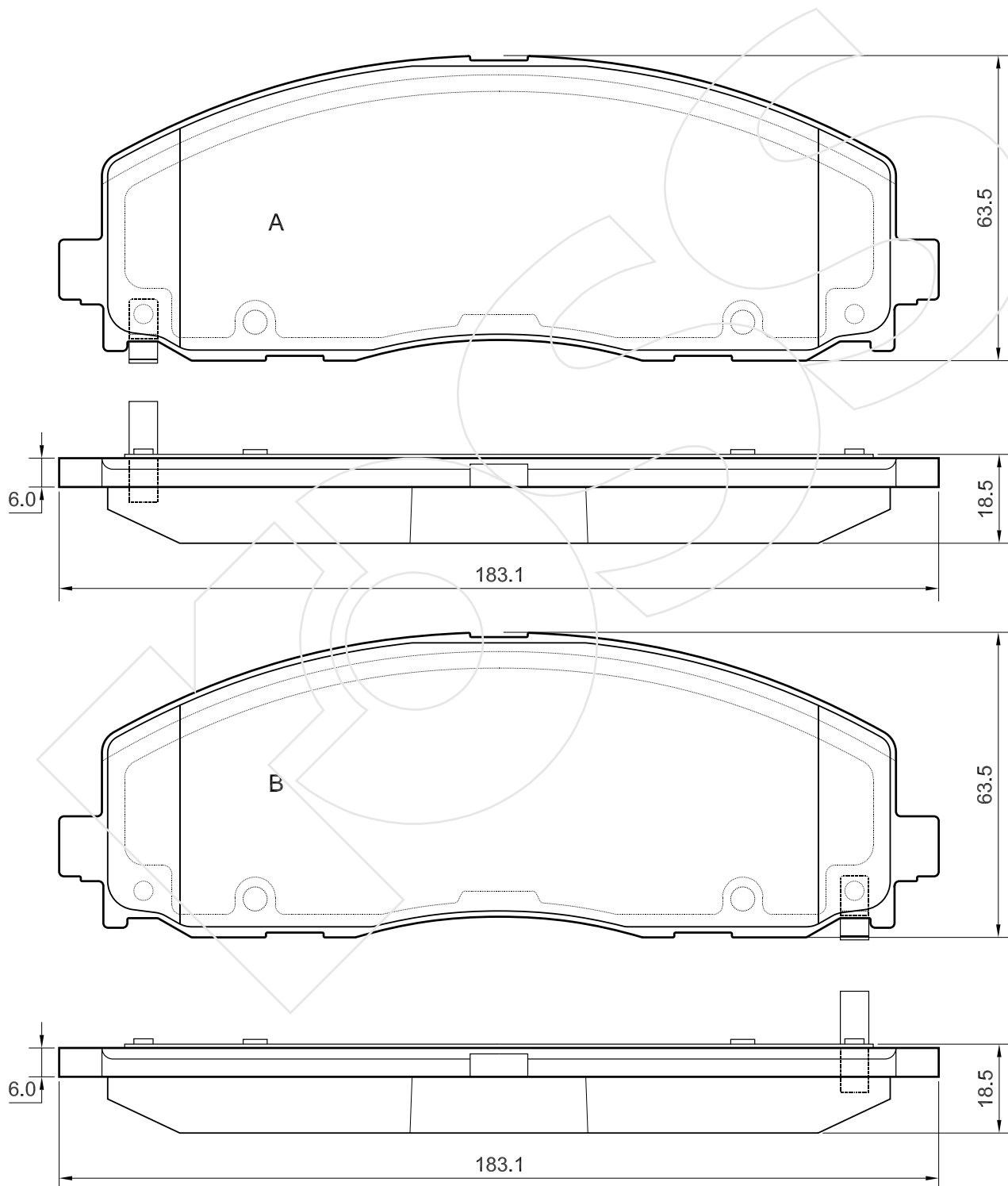


X 4



Reference in this Catalogue to other manufactures and to part numbers and other descriptions are for identification purposes only, because the above DISC BRAKE PADS are NOT ORIGINAL but with these interchangeable.

CODICE	IMPIANTO		ASSE	SCALA	APPLICAZIONI
<b>R-1543</b>	AKEBONO		ANTERIORE	90%	LANCIA CHRYSLER
CODICE COMPONENTI	N°	L(mm)	SERIE		
A0000+M0000	2+2	*	2 PEZZI TIPO A		
A0000+M0000	2+2	*	2 PEZZI TIPO B		
*	*	*	*		
*	*	*	*		
CODICE ACCESSORI	N°	L(mm)	NOTE		
*	*	*			
*	*	*			
*	*	*			
*	*	*			

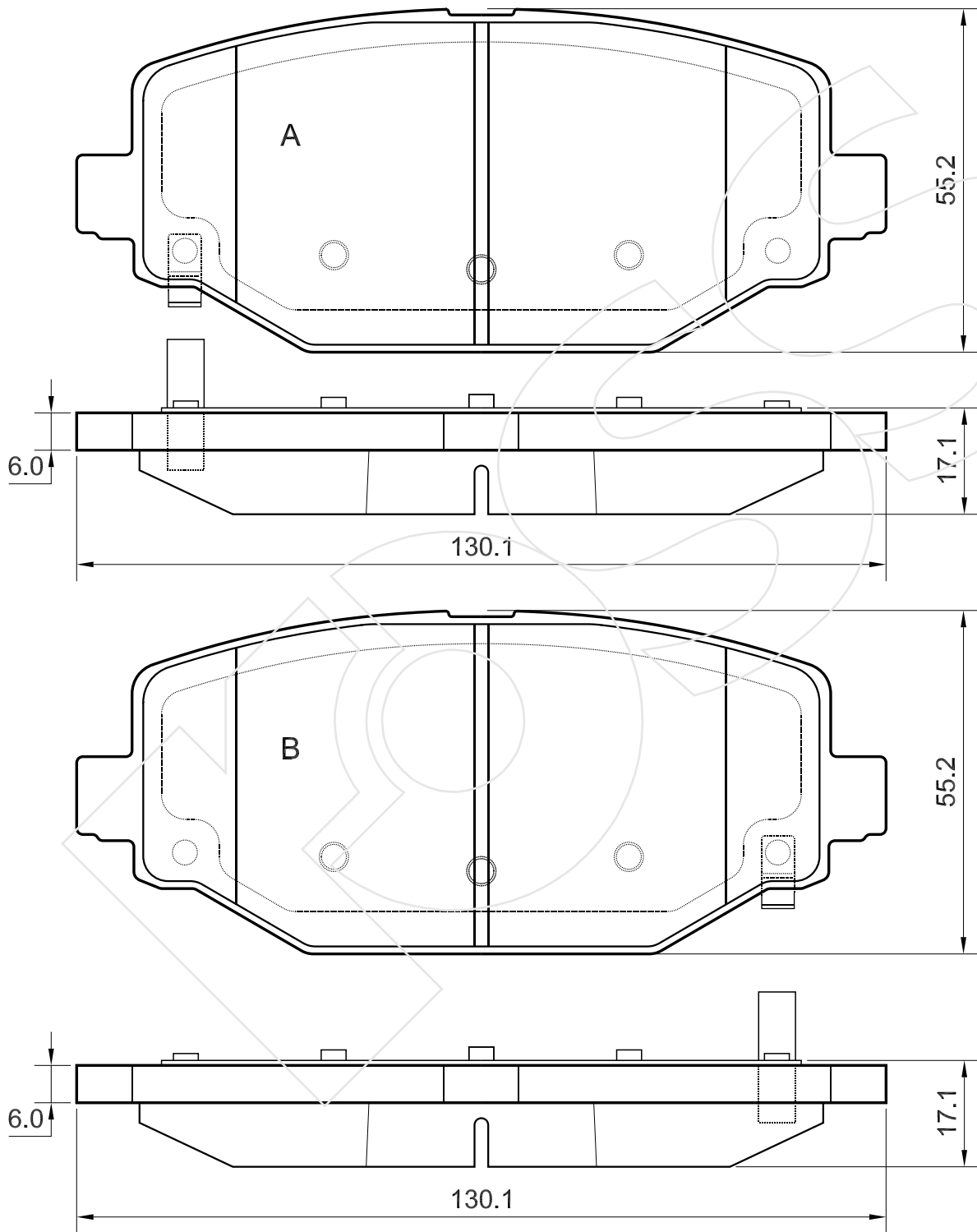


Reference in this Catalogue to other manufactures and to part numbers and other descriptions are for identification purposes only, because the above DISC BRAKE PADS are NOT ORIGINAL but with these interchangeable.



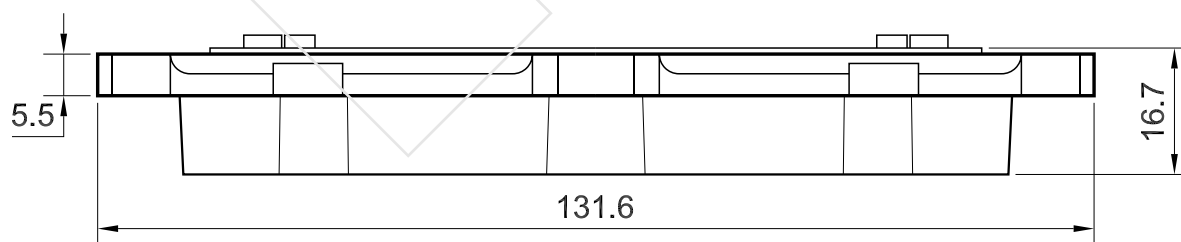
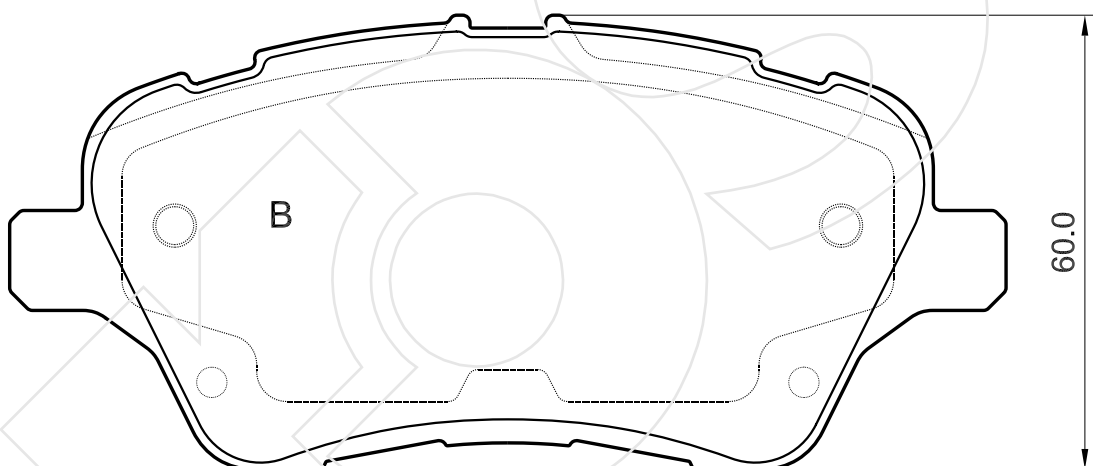
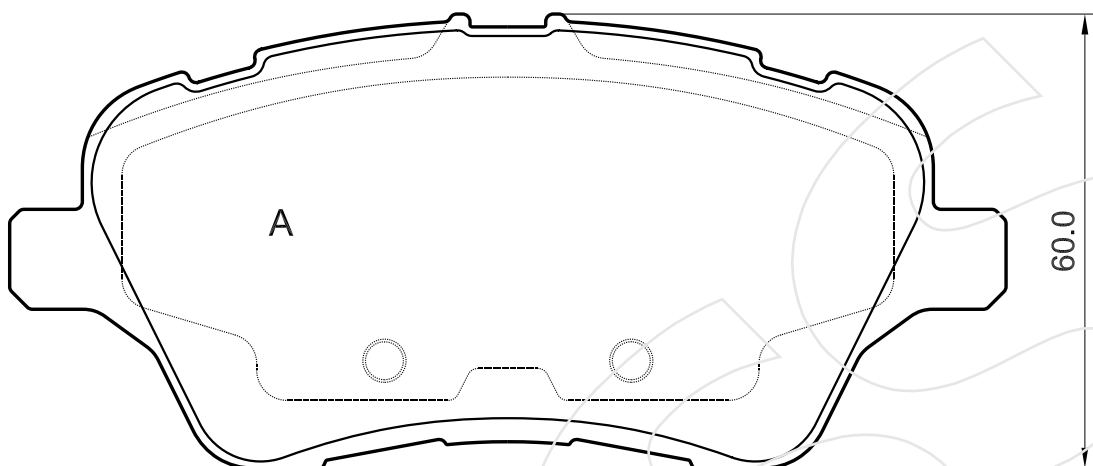
CODICE	IMPIANTO		ASSE	SCALA	APPLICAZIONI
<b>R-1544</b>	TRW		POSTERIORE	100%	LANCIA
CODICE COMPONENTI	N°	L(mm)	SERIE		
A0000+M0000	2+2	*	2 PEZZI TIPO A		
A0000+M0000	2+2	*	2 PEZZI TIPO B		
*	*	*	*		
*	*	*	*		
CODICE ACCESSORI	N°	L(mm)	NOTE		
*	*	*			
*	*	*			
*	*	*			
*	*	*			

CHRYSLER



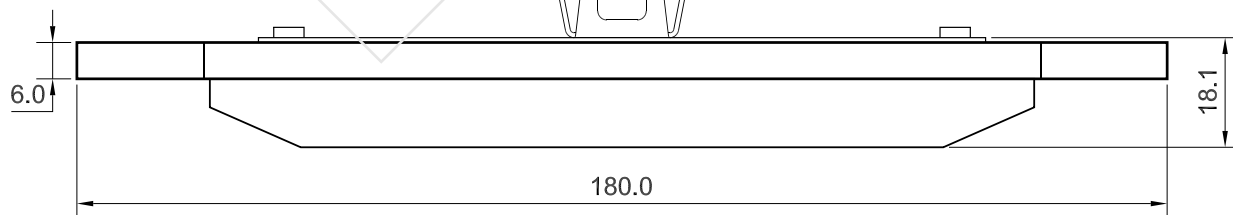
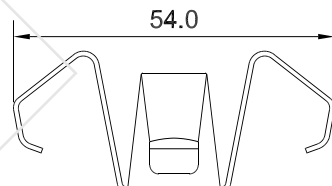
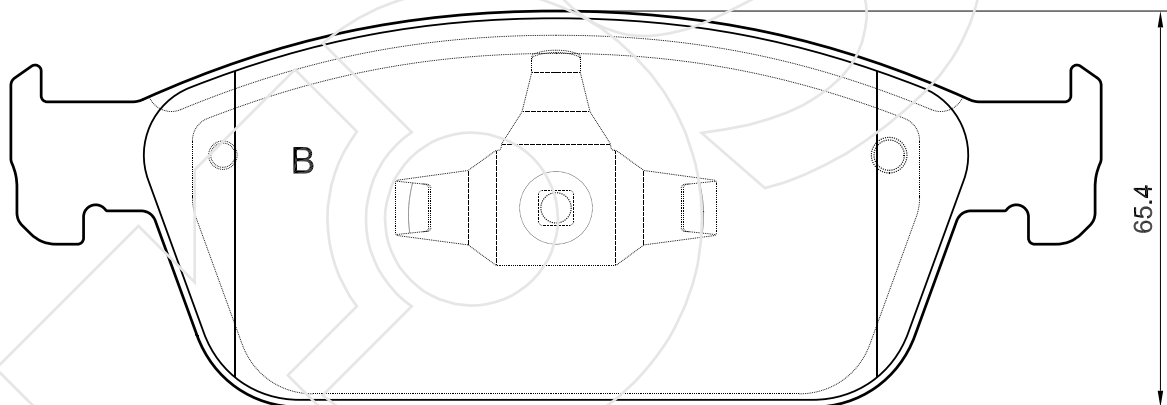
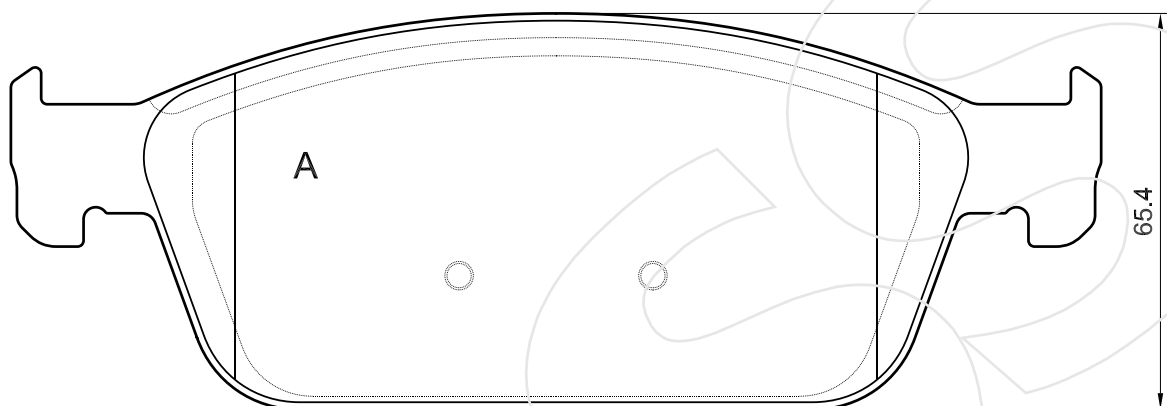
Reference in this Catalogue to other manufactures and to part numbers and other descriptions are for identification purposes only, because the above DISC BRAKE PADS are NOT ORIGINAL but with these interchangeable.

CODICE	IMPIANTO		ASSE	SCALA	APPLICAZIONI
<b>R-1545</b>	TRW		ANTERIORE	100%	FORD
CODICE COMPONENTI	N°	L(mm)	SERIE		
A0000	2	*	2 PEZZI TIPO A		
A0000	2	*	2 PEZZI TIPO B		
*	*	*	*		
*	*	*	*		
CODICE ACCESSORI	N°	L(mm)	NOTE		
*	*	*			
*	*	*			
*	*	*			
*	*	*			



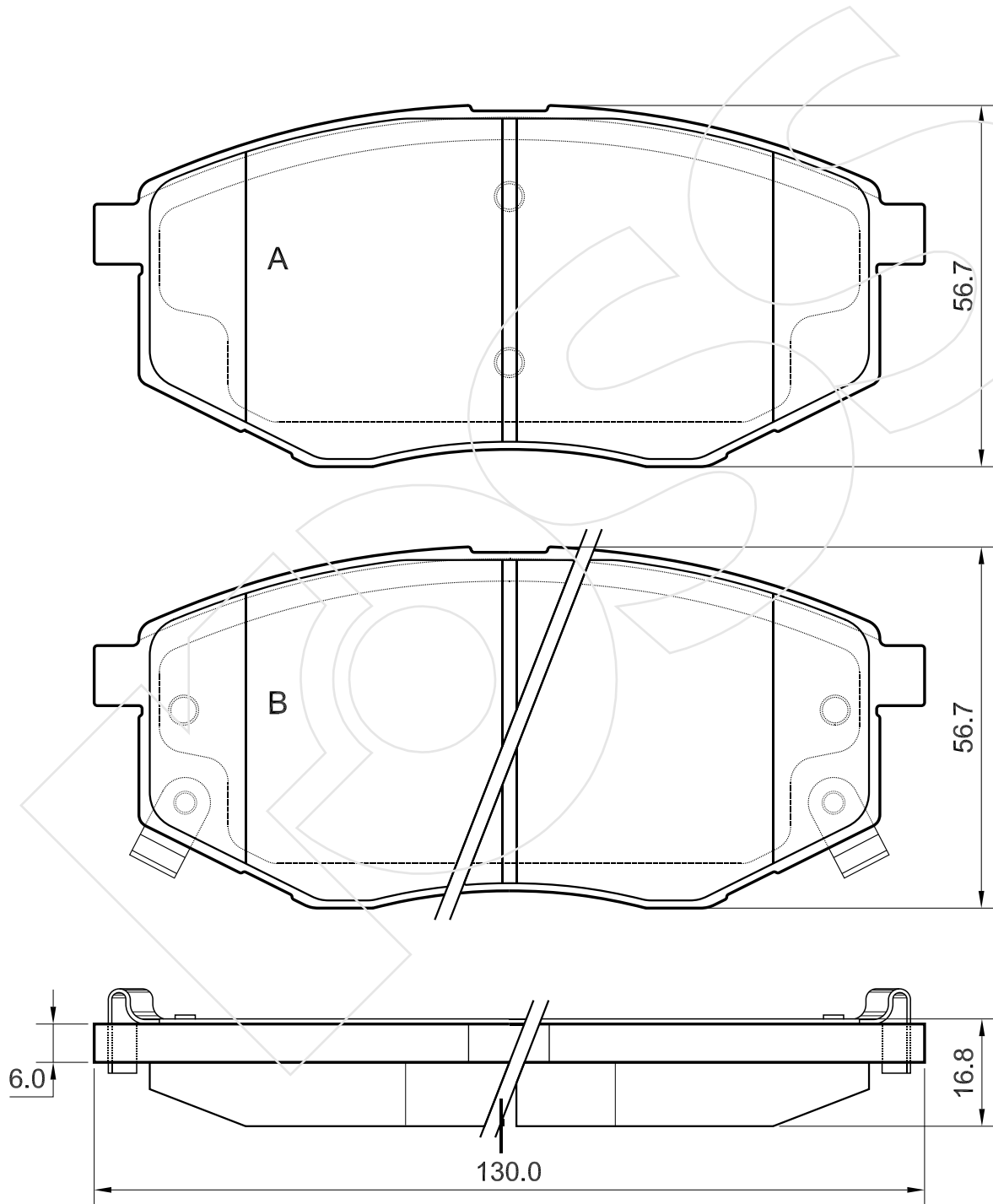
Reference in this Catalogue to other manufactures and to part numbers and other descriptions are for identification purposes only, because the above DISC BRAKE PADS are NOT ORIGINAL but with these interchangeable.

CODICE	IMPIANTO		ASSE	SCALA	APPLICAZIONI
<b>R-1546</b>	ATE		ANTERIORE	80%	FORD
CODICE COMPONENTI	N°	L(mm)	SERIE		
A0000	2	*	2 PEZZI TIPO A		
A0000+M0000	2+2	*	2 PEZZI TIPO B		
*	*	*	*		
*	*	*	*		
CODICE ACCESSORI	N°	L(mm)	NOTE		
*	*	*			
*	*	*			
*	*	*			
*	*	*			



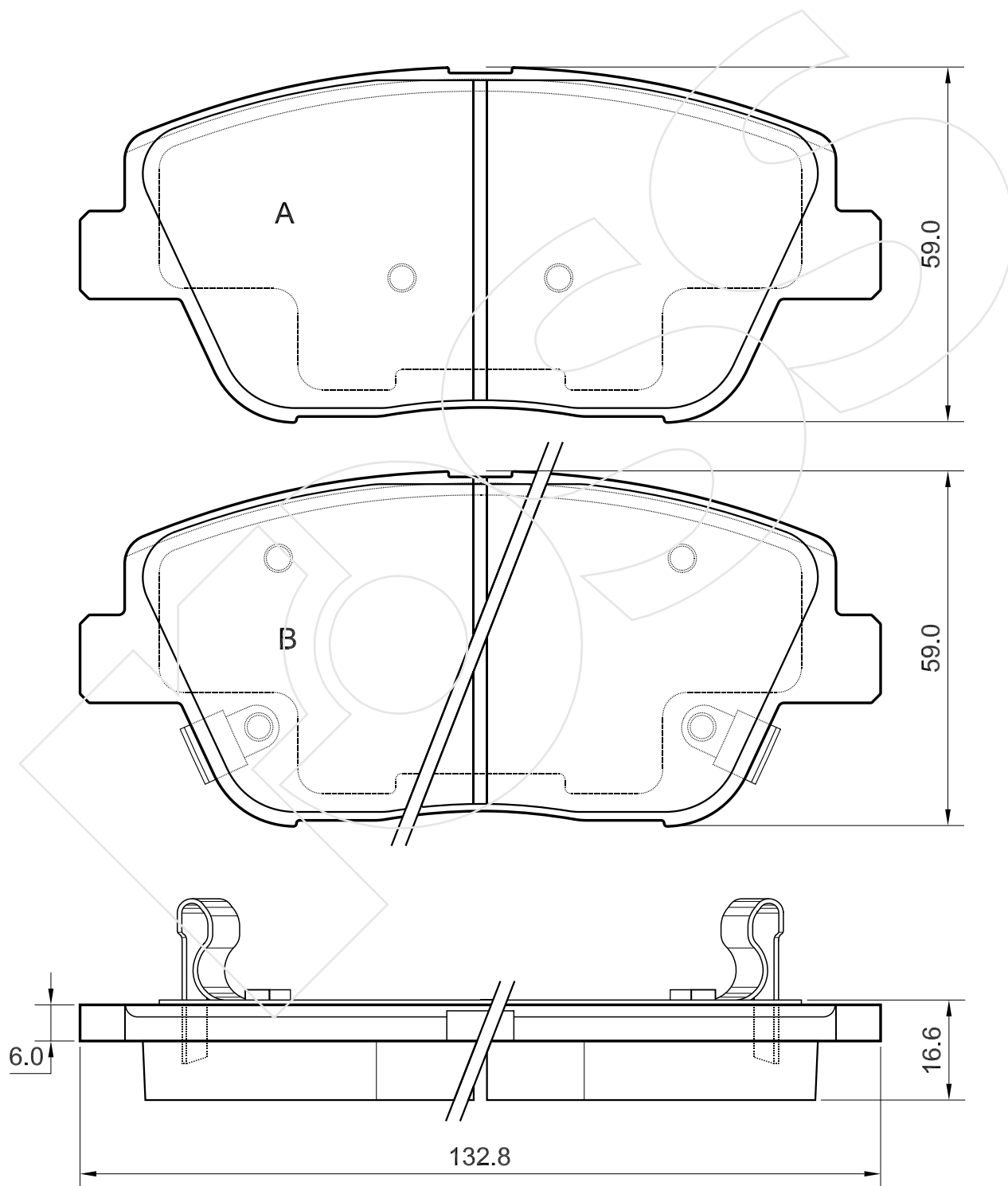
Reference in this Catalogue to other manufactures and to part numbers and other descriptions are for identification purposes only, because the above DISC BRAKE PADS are NOT ORIGINAL but with these interchangeable.

CODICE	IMPIANTO		ASSE	SCALA	APPLICAZIONI
<b>R-1547</b>	MANDO		ANTERIORE	100%	HYUNDAI
CODICE COMPONENTI	N°	L(mm)	SERIE		KIA
A0000	2	*	2 PEZZI TIPO A		
A0000+M0000	2+2	*	2 PEZZI TIPO B		
*	*	*	*		
*	*	*	*		
CODICE ACCESSORI	N°	L(mm)	NOTE		
*	*	*			
*	*	*			
*	*	*			
*	*	*			



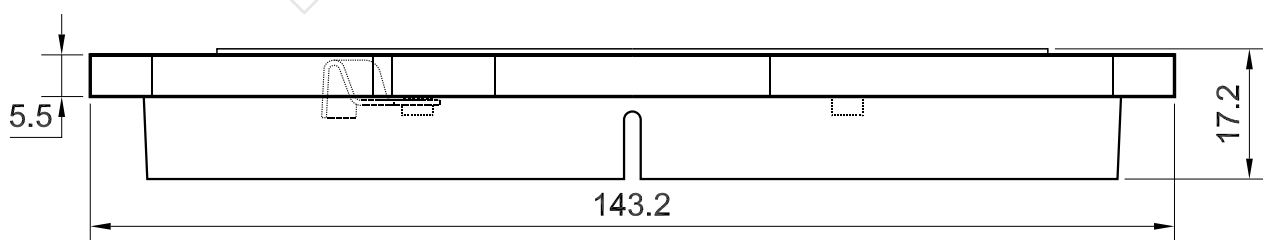
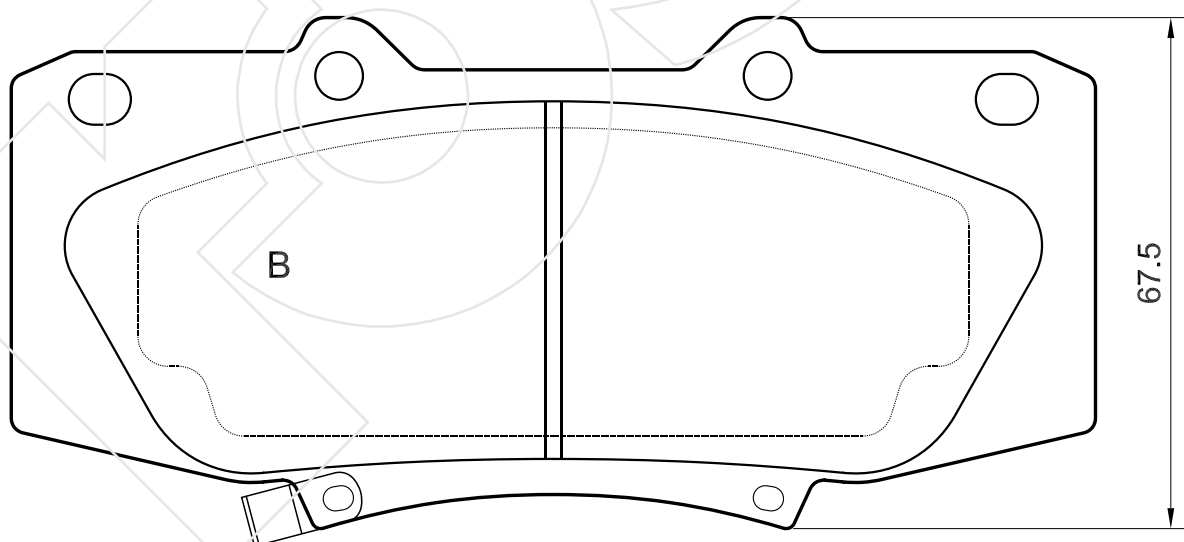
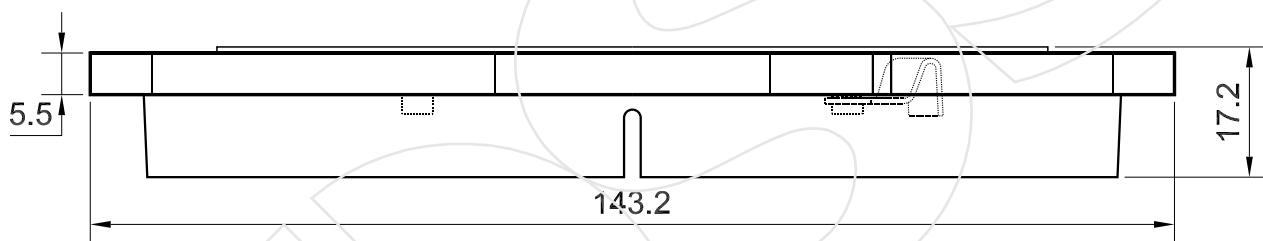
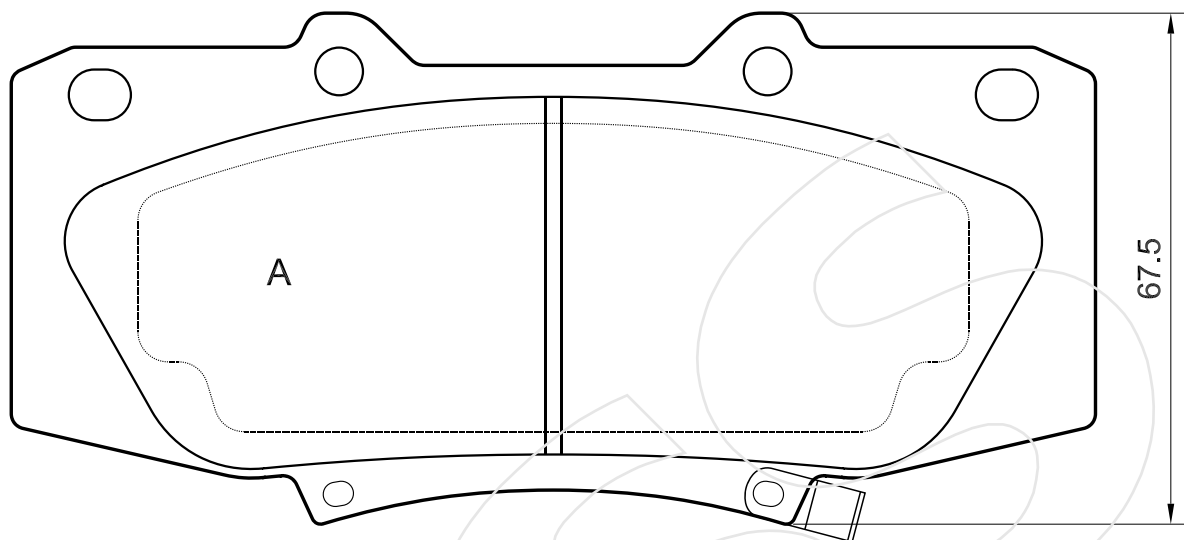
Reference in this Catalogue to other manufactures and to part numbers and other descriptions are for identification purposes only, because the above DISC BRAKE PADS are NOT ORIGINAL but with these interchangeable.

CODICE	IMPIANTO		ASSE	SCALA	APPLICAZIONI
<b>R-1548</b>	MANDO		ANTERIORE	100%	KIA
CODICE COMPONENTI	N°	L(mm)	SERIE		
A0000	2	*	2 PEZZI TIPO A		
A0000+M0000	2+2	*	2 PEZZI TIPO B		
*	*	*	*		
*	*	*	*		
CODICE ACCESSORI	N°	L(mm)	NOTE		
*	*	*			
*	*	*			
*	*	*			
*	*	*			



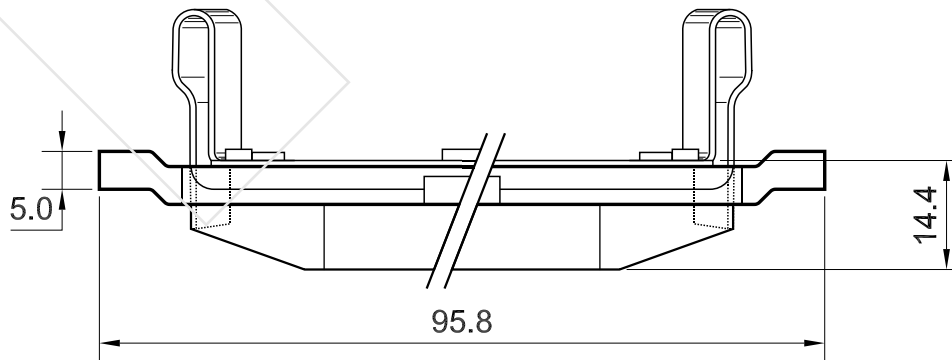
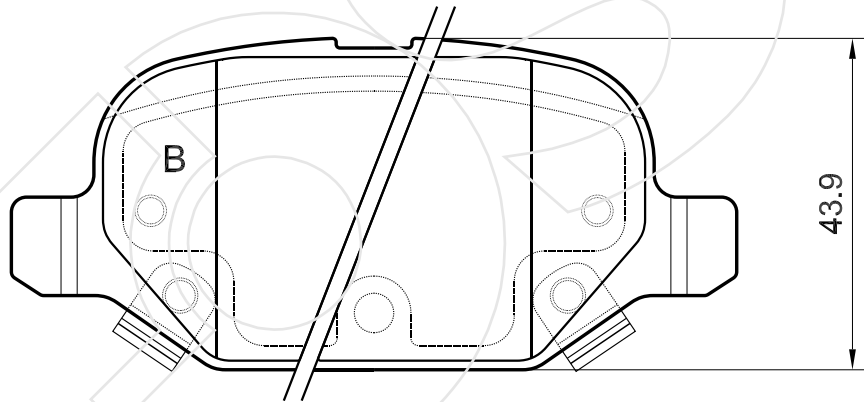
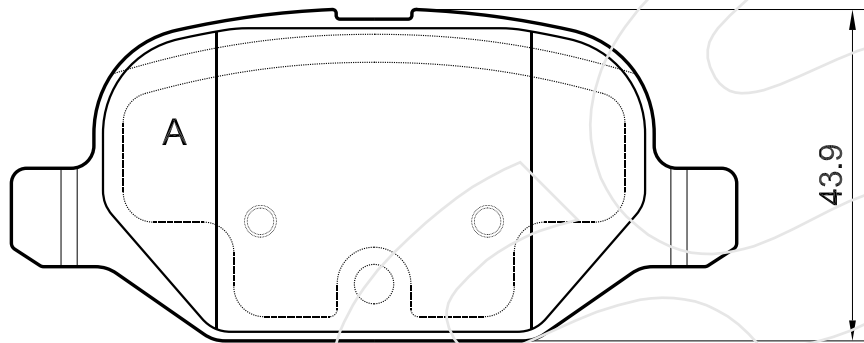
Reference in this Catalogue to other manufactures and to part numbers and other descriptions are for identification purposes only, because the above DISC BRAKE PADS are NOT ORIGINAL but with these interchangeable.

CODICE	IMPIANTO		ASSE	SCALA	APPLICAZIONI
<b>R-1549</b>	ADVICS		ANTERIORE	100%	TOYOTA
CODICE COMPONENTI	N°	L(mm)	SERIE		
A0000+M0000	2+2	*	2 PEZZI TIPO A		
A0000+M0000	2+2	*	2 PEZZI TIPO B		
*	*	*	*		
*	*	*	*		
CODICE ACCESSORI	N°	L(mm)	NOTE		
*	*	*			
*	*	*			
*	*	*			
*	*	*			



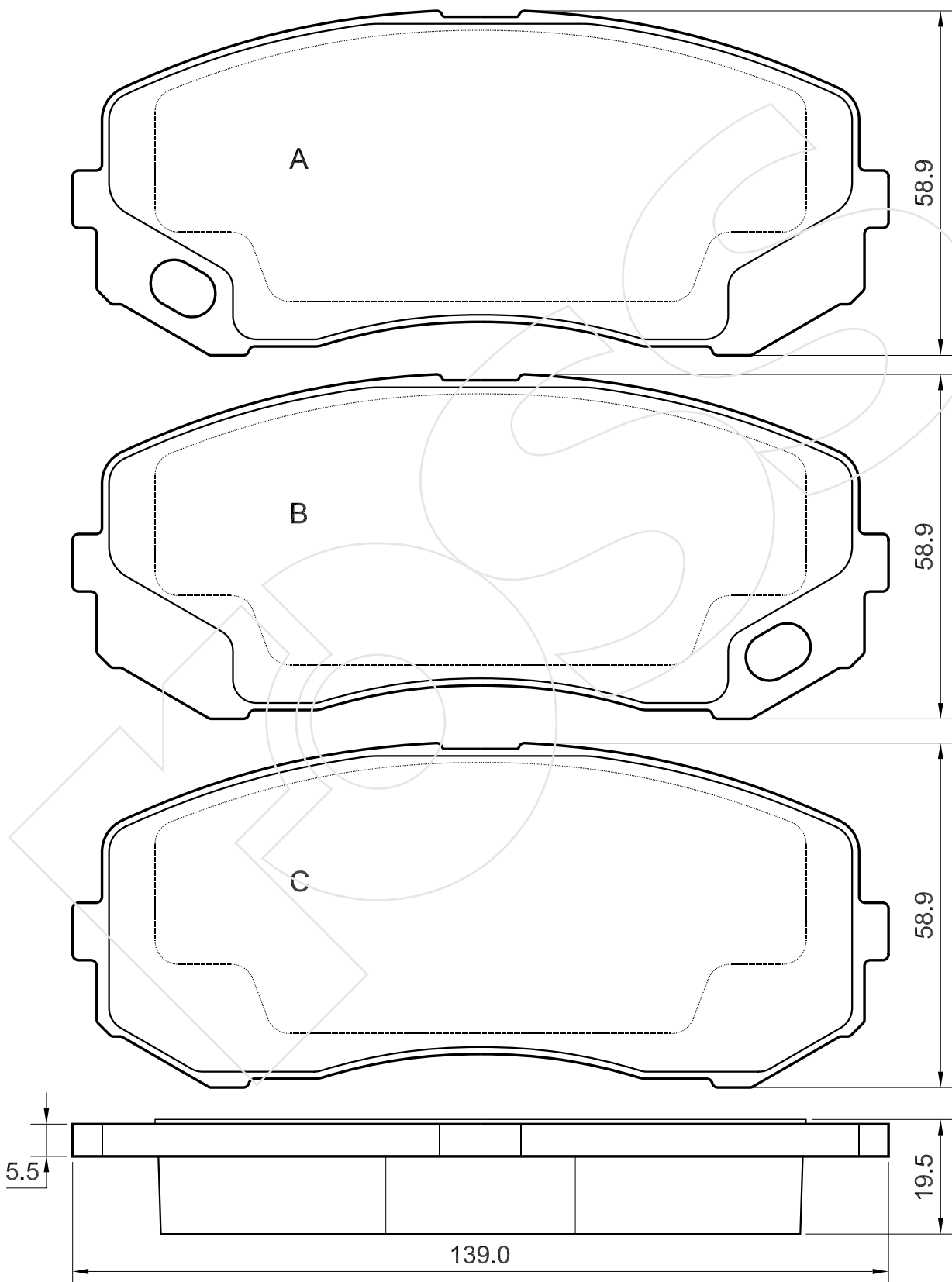
Reference in this Catalogue to other manufactures and to part numbers and other descriptions are for identification purposes only, because the above DISC BRAKE PADS are NOT ORIGINAL but with these interchangeable.

CODICE	IMPIANTO		ASSE	SCALA	APPLICAZIONI
<b>R-1550</b>	TRW		POSTERIORE	100%	FIAT
CODICE COMPONENTI	N°	L(mm)	SERIE		
A0000	2	*	2 PEZZI TIPO A		
A0000+M0000	2+2	*	2 PEZZI TIPO B		
*	*	*	*		
*	*	*	*		
CODICE ACCESSORI	N°	L(mm)	NOTE		
*	*	*			
*	*	*			
*	*	*			
*	*	*			



Reference in this Catalogue to other manufactures and to part numbers and other descriptions are for identification purposes only, because the above DISC BRAKE PADS are NOT ORIGINAL but with these interchangeable.

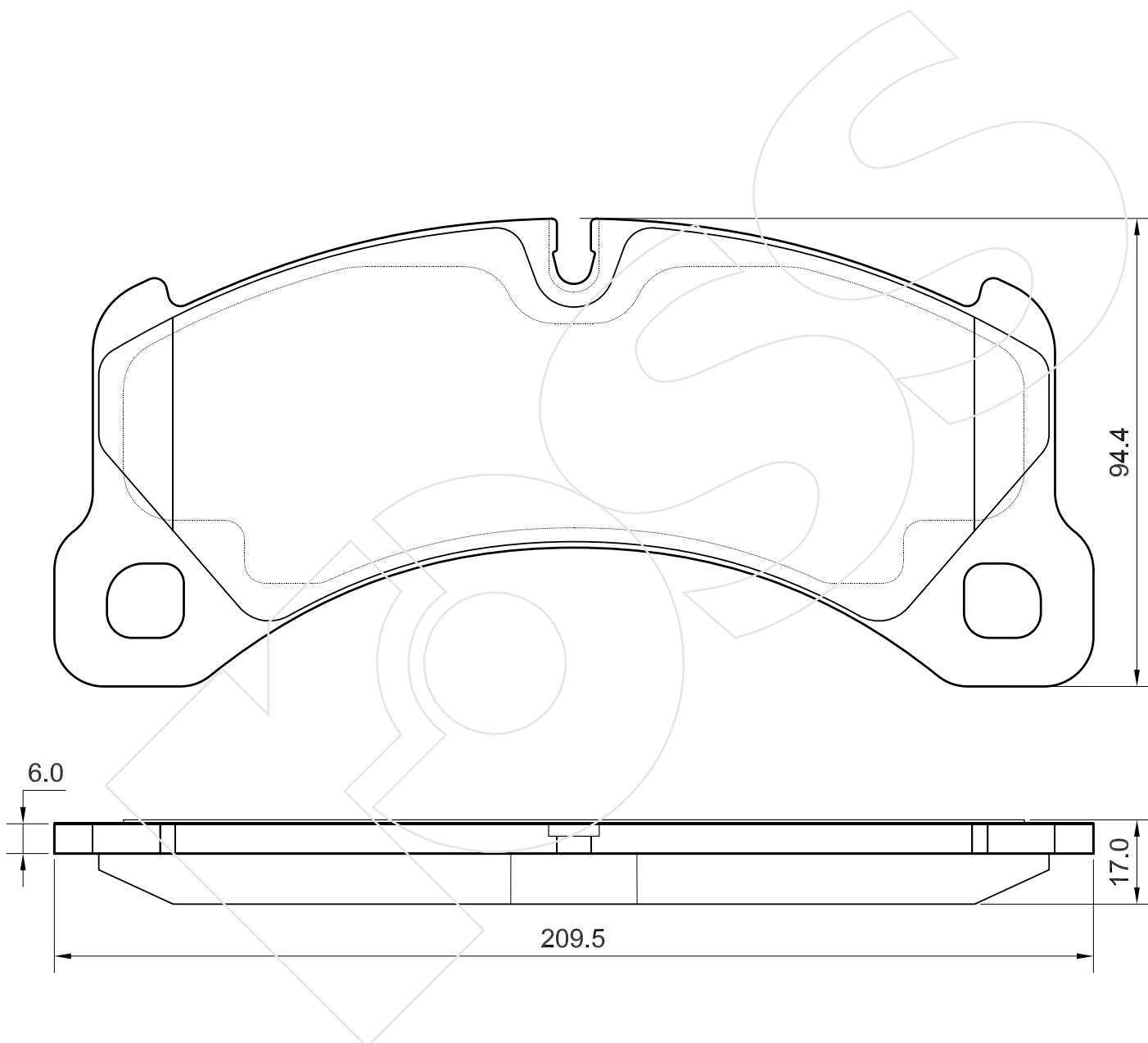
CODICE	IMPIANTO		ASSE	SCALA	APPLICAZIONI
<b>R-1551</b>	AKEBONO		ANTERIORE	100%	MITSUBISHI
CODICE COMPONENTI	N°	L(mm)	SERIE		
A0000	1	*	1 PEZZO TIPO A		
A0000	1	*	1 PEZZO TIPO B		
A0000	6	*	6 PEZZI TIPO C		
*	*	*	*		
CODICE ACCESSORI	N°	L(mm)	NOTE		
*	*	*			
*	*	*			
*	*	*			
*	*	*			



Reference in this Catalogue to other manufactures and to part numbers and other descriptions are for identification purposes only, because the above DISC BRAKE PADS are NOT ORIGINAL but with these interchangeable.

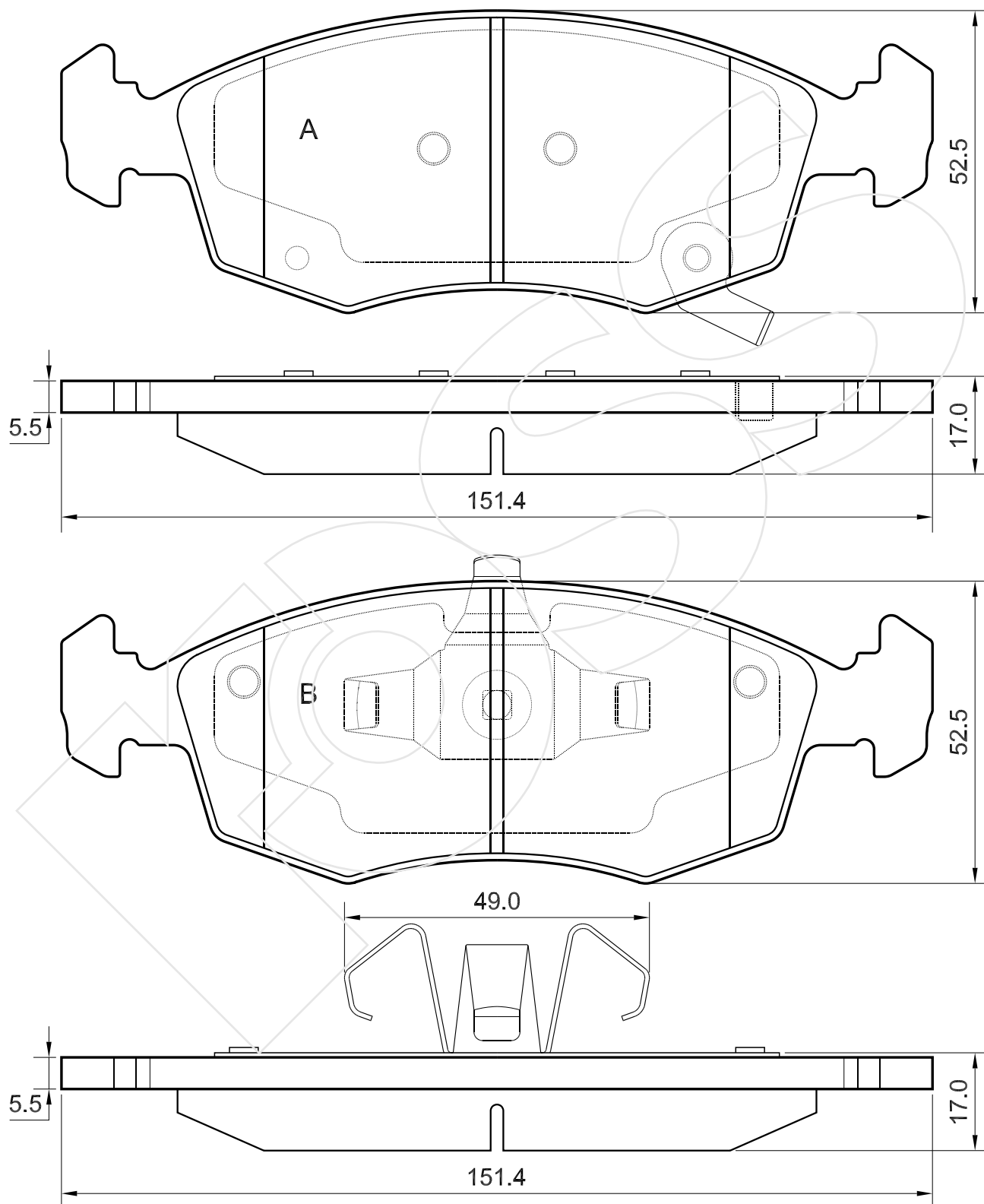


CODICE	IMPIANTO		ASSE	SCALA	APPLICAZIONI
<b>R-1552</b>	BREMBO		ANTERIORE	80%	PORSCHE
CODICE COMPONENTI	N°	L(mm)	SERIE		
A0000	4	*	4 PEZZI		
*	*	*	*		
*	*	*	*		
*	*	*	*		
CODICE ACCESSORI	N°	L(mm)	NOTE		
*	*	*			
*	*	*			
*	*	*			
*	*	*			



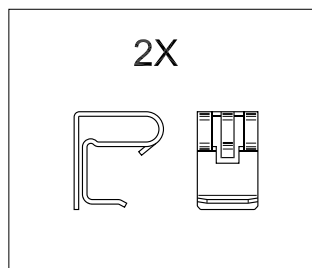
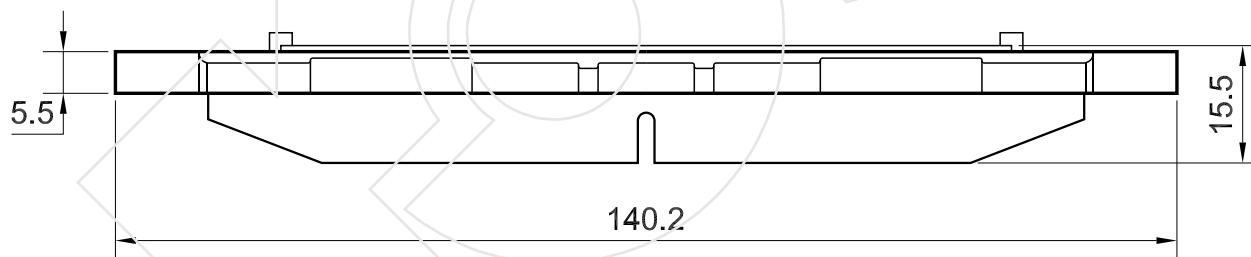
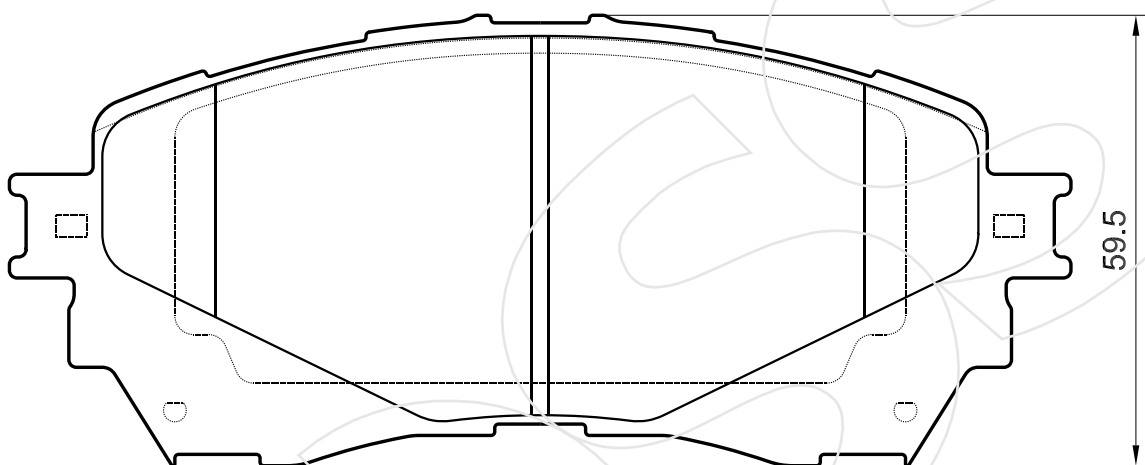
Reference in this Catalogue to other manufactures and to part numbers and other descriptions are for identification purposes only, because the above DISC BRAKE PADS are NOT ORIGINAL but with these interchangeable.

CODICE	IMPIANTO		ASSE	SCALA	APPLICAZIONI
<b>R-1553</b>	ATE		ANTERIORE	100%	FIAT
CODICE COMPONENTI	N°	L(mm)	SERIE		
A0000+M0000	2+2	*	2 PEZZI TIPO A		
A0000+M0000	2+2	*	2 PEZZI TIPO B		
*	*	*	*		
*	*	*	*		
CODICE ACCESSORI	N°	L(mm)	NOTE		
*	*	*			
*	*	*			
*	*	*			
*	*	*			



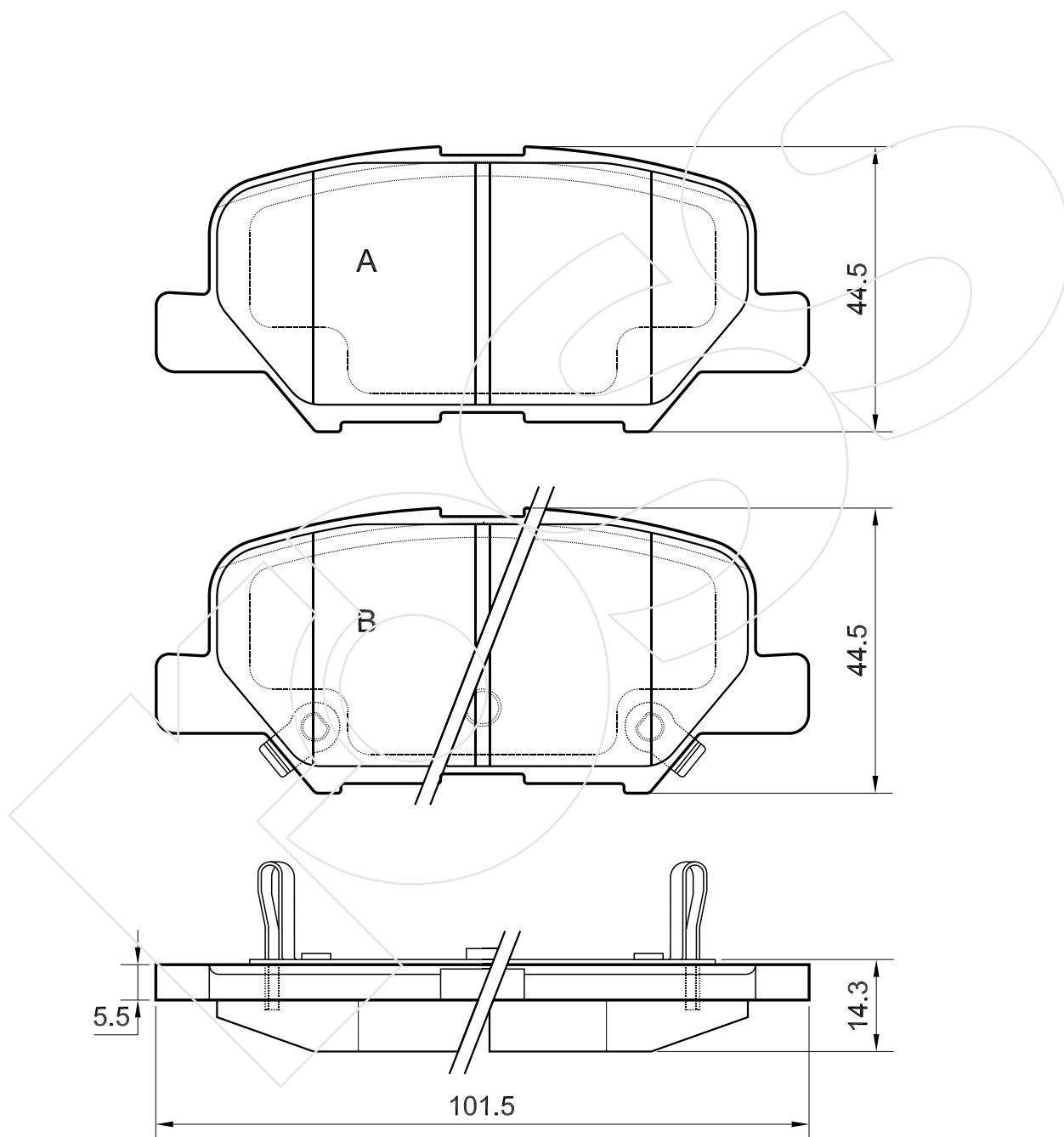
Reference in this Catalogue to other manufactures and to part numbers and other descriptions are for identification purposes only, because the above DISC BRAKE PADS are NOT ORIGINAL but with these interchangeable.

CODICE	IMPIANTO		ASSE	SCALA	APPLICAZIONI
<b>R-1554</b>	AKEBONO		ANTERIORE	100%	MAZDA
CODICE COMPONENTI	N°	L(mm)	SERIE		
A0000+M0000	4+2	*	4 PEZZI		
*	*	*	*		
*	*	*	*		
*	*	*	*		
CODICE ACCESSORI	N°	L(mm)	NOTE		
*	*	*			
*	*	*			
*	*	*			
*	*	*			



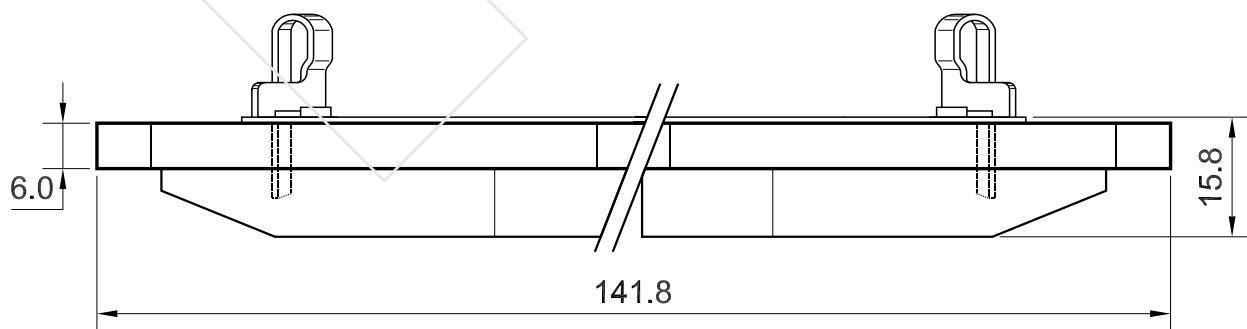
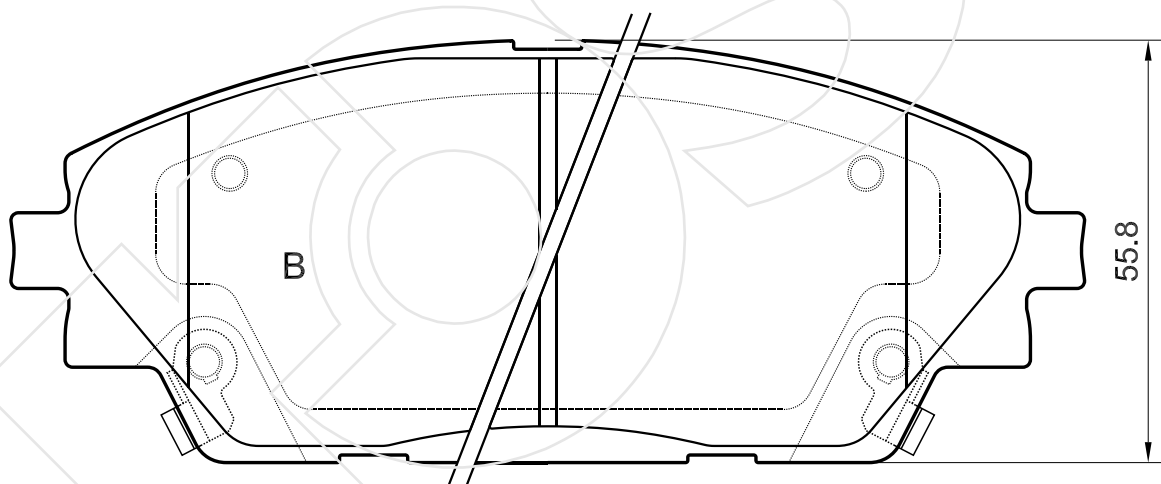
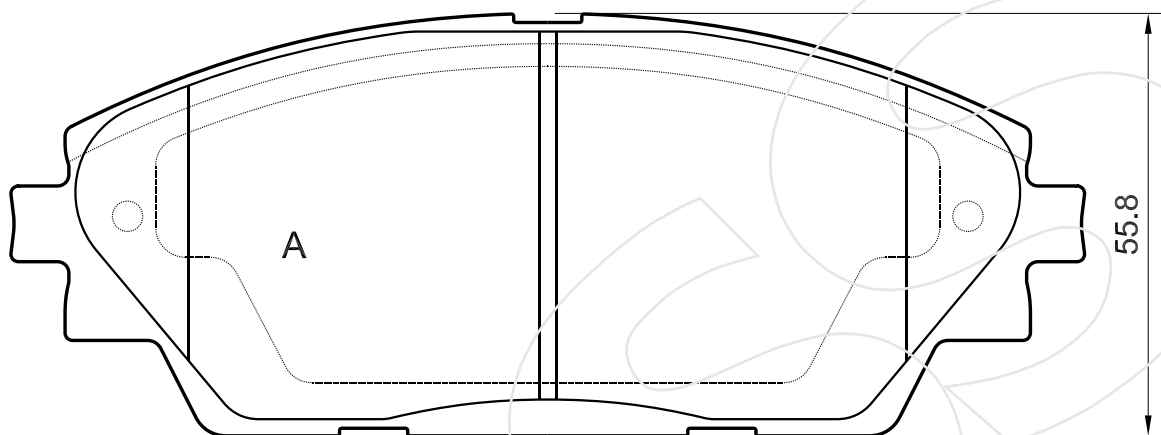
Reference in this Catalogue to other manufactures and to part numbers and other descriptions are for identification purposes only, because the above DISC BRAKE PADS are NOT ORIGINAL but with these interchangeable.

CODICE	IMPIANTO		ASSE	SCALA	APPLICAZIONI
<b>R-1555</b>	AKEBONO		POSTERIORE	100%	MAZDA
CODICE COMPONENTI	N°	L(mm)	SERIE		
A0000	2	*	2 PEZZI TIPO A		
A0000+M0000	2+2	*	2 PEZZI TIPO B		
*	*	*	*		
*	*	*	*		
CODICE ACCESSORI	N°	L(mm)	NOTE		
*	*	*			
*	*	*			
*	*	*			
*	*	*			



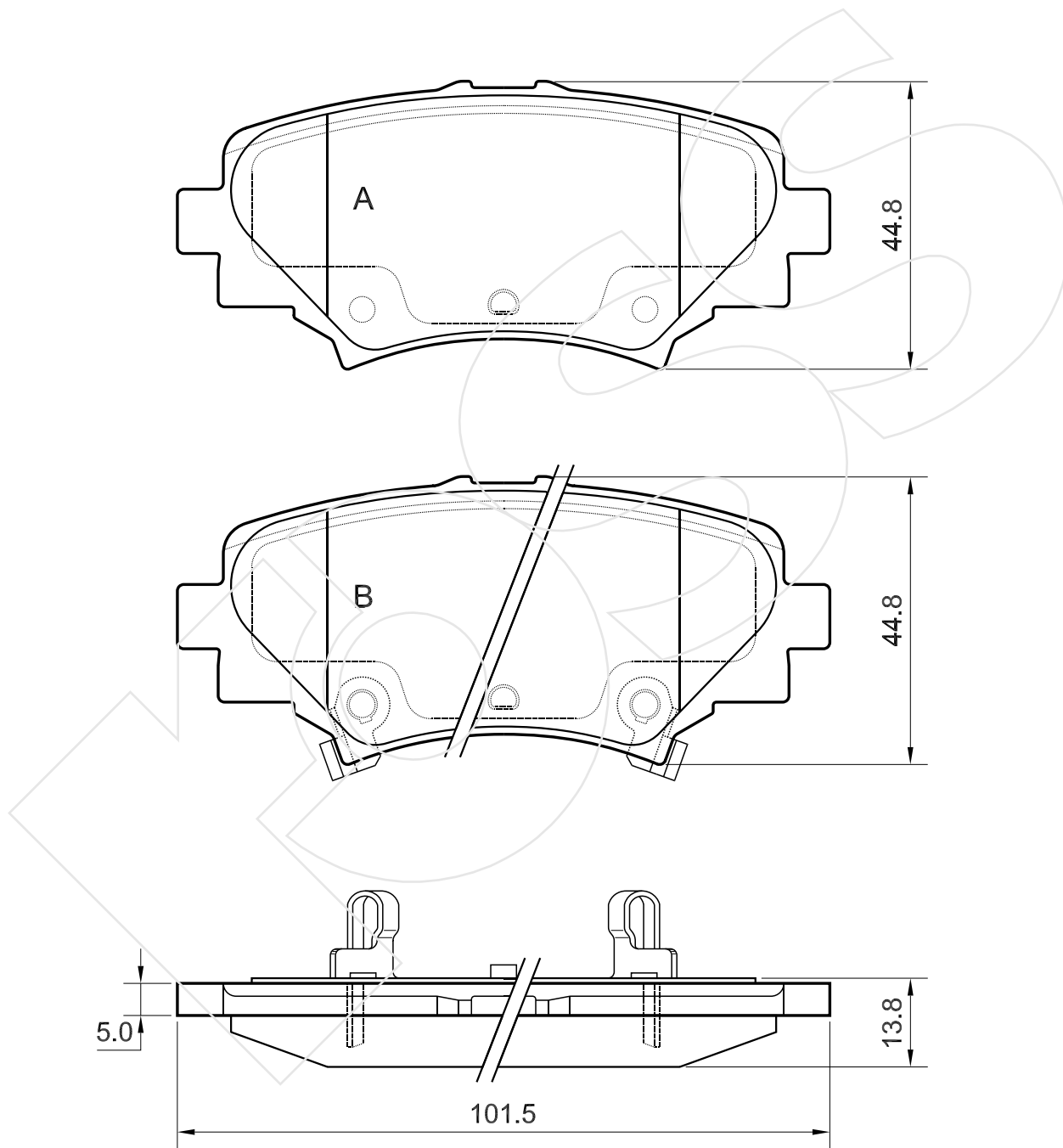
Reference in this Catalogue to other manufactures and to part numbers and other descriptions are for identification purposes only, because the above DISC BRAKE PADS are NOT ORIGINAL but with these interchangeable.

CODICE	IMPIANTO		ASSE	SCALA	APPLICAZIONI
<b>R-1556</b>	AKEBONO		ANTERIORE	100%	MAZDA
CODICE COMPONENTI	N°	L(mm)	SERIE		
A0000	2	*	2 PEZZI TIPO A		
A0000+M0000	2+2	*	2 PEZZI TIPO B		
*	*	*	*		
*	*	*	*		
CODICE ACCESSORI	N°	L(mm)	NOTE		
*	*	*			
*	*	*			
*	*	*			
*	*	*			



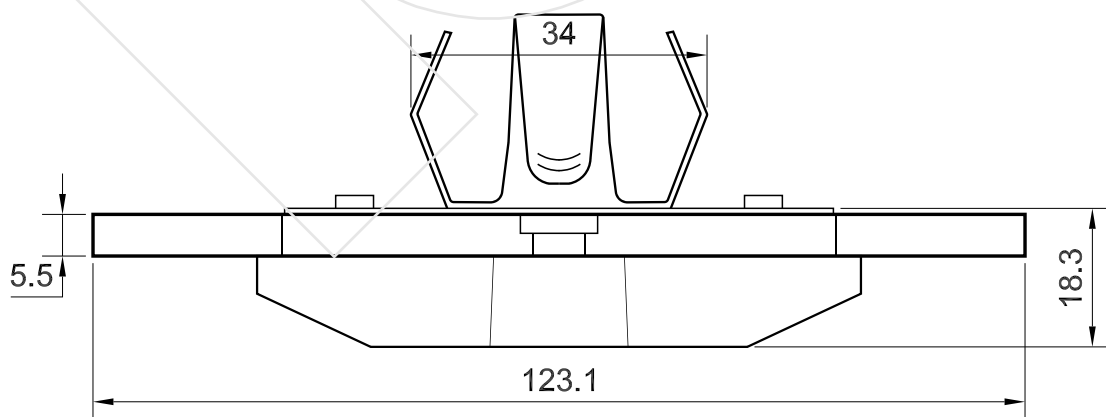
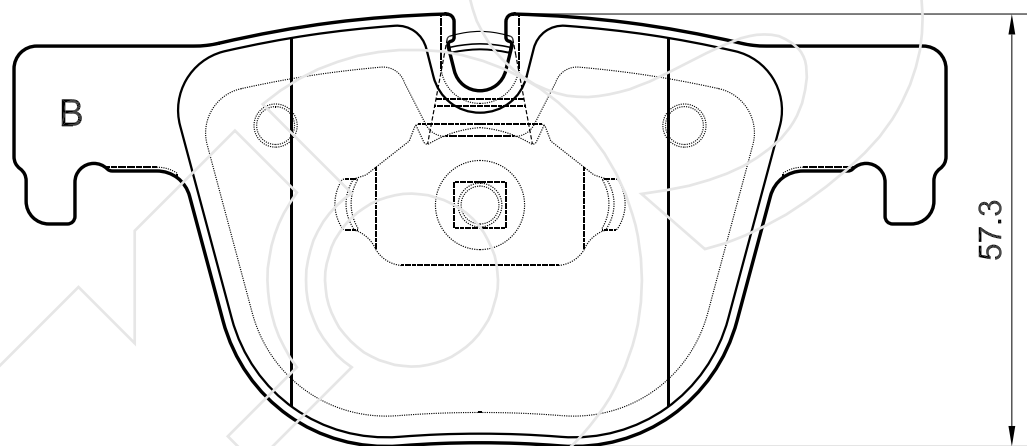
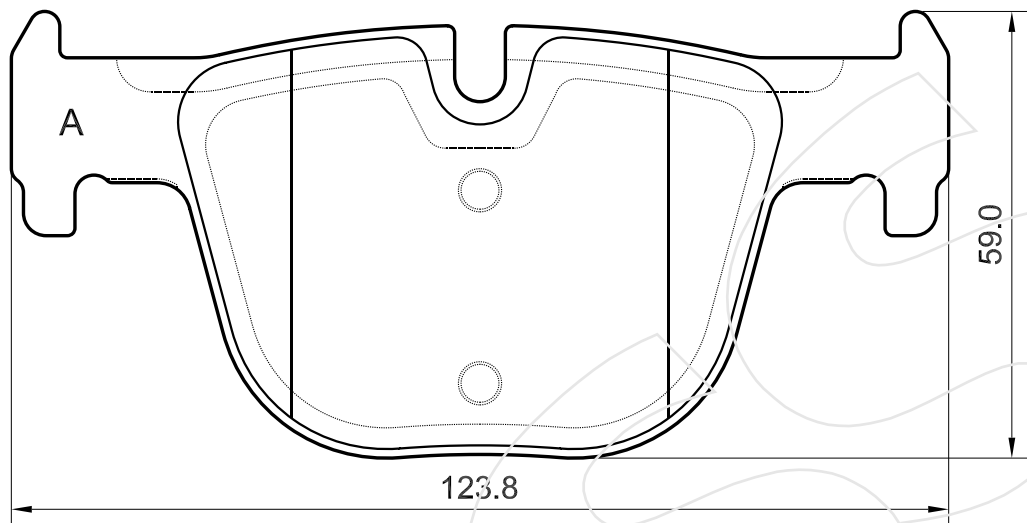
Reference in this Catalogue to other manufactures and to part numbers and other descriptions are for identification purposes only, because the above DISC BRAKE PADS are NOT ORIGINAL but with these interchangeable.

CODICE	IMPIANTO		ASSE	SCALA	APPLICAZIONI
<b>R-1557</b>	AKEBONO		POSTERIORE	100%	MAZDA
CODICE COMPONENTI	N°	L(mm)	SERIE		
A0000	2	*	2 PEZZI TIPO A		
A0000+M0000	2+2	*	2 PEZZI TIPO B		
*	*	*	*		
*	*	*	*		
CODICE ACCESSORI	N°	L(mm)	NOTE		
*	*	*			
*	*	*			
*	*	*			
*	*	*			



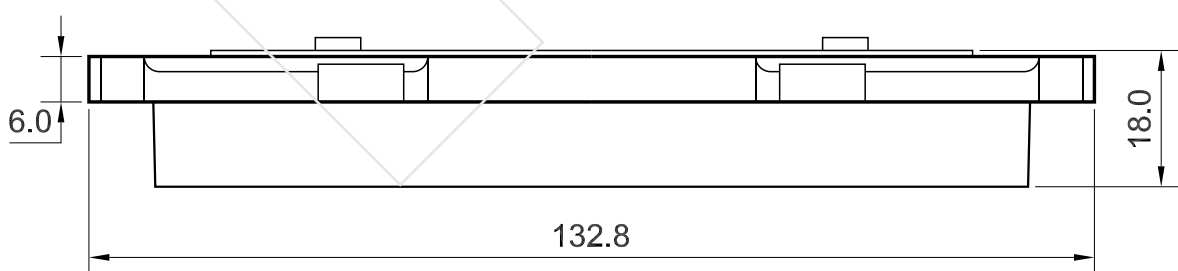
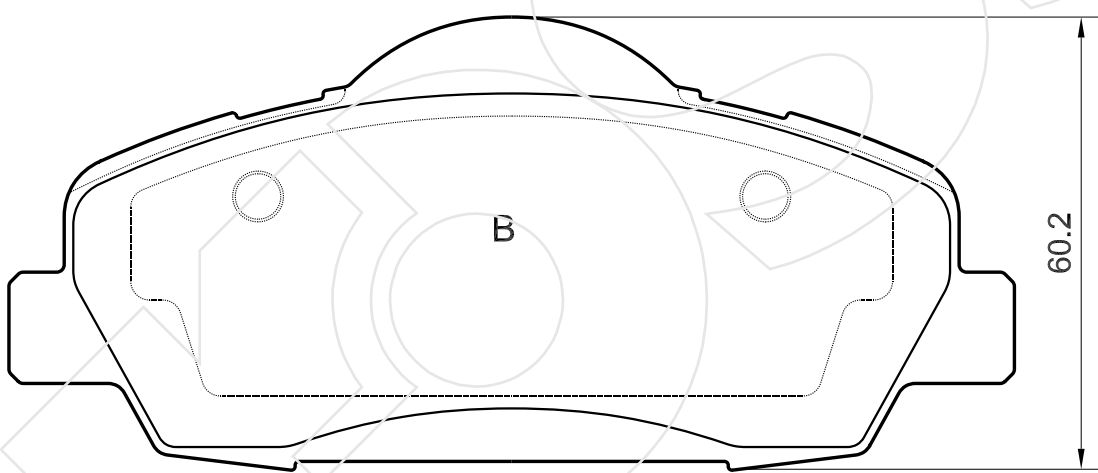
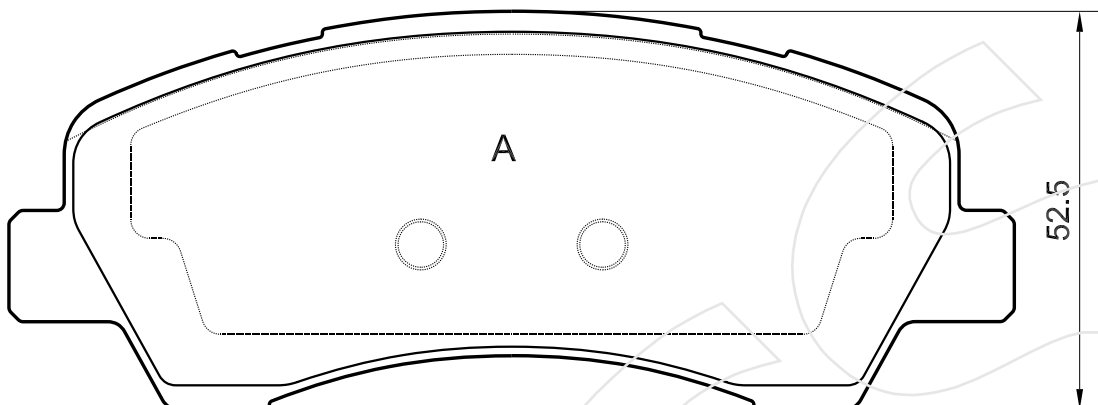
Reference in this Catalogue to other manufactures and to part numbers and other descriptions are for identification purposes only, because the above DISC BRAKE PADS are NOT ORIGINAL but with these interchangeable.

CODICE	IMPIANTO		ASSE	SCALA	APPLICAZIONI
<b>R-1558</b>	ATE		POSTERIORE	100%	BMW
CODICE COMPONENTI	N°	L(mm)	SERIE		
A0000	2	*	2 PEZZI TIPO A		
A0000+M0000	2+2	*	2 PEZZI TIPO B		
*	*	*	*		
*	*	*	*		
CODICE ACCESSORI	N°	L(mm)	NOTE		
*	*	*			
*	*	*			
*	*	*			
*	*	*			



Reference in this Catalogue to other manufactures and to part numbers and other descriptions are for identification purposes only, because the above DISC BRAKE PADS are NOT ORIGINAL but with these interchangeable.

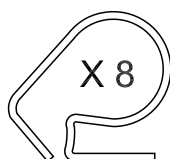
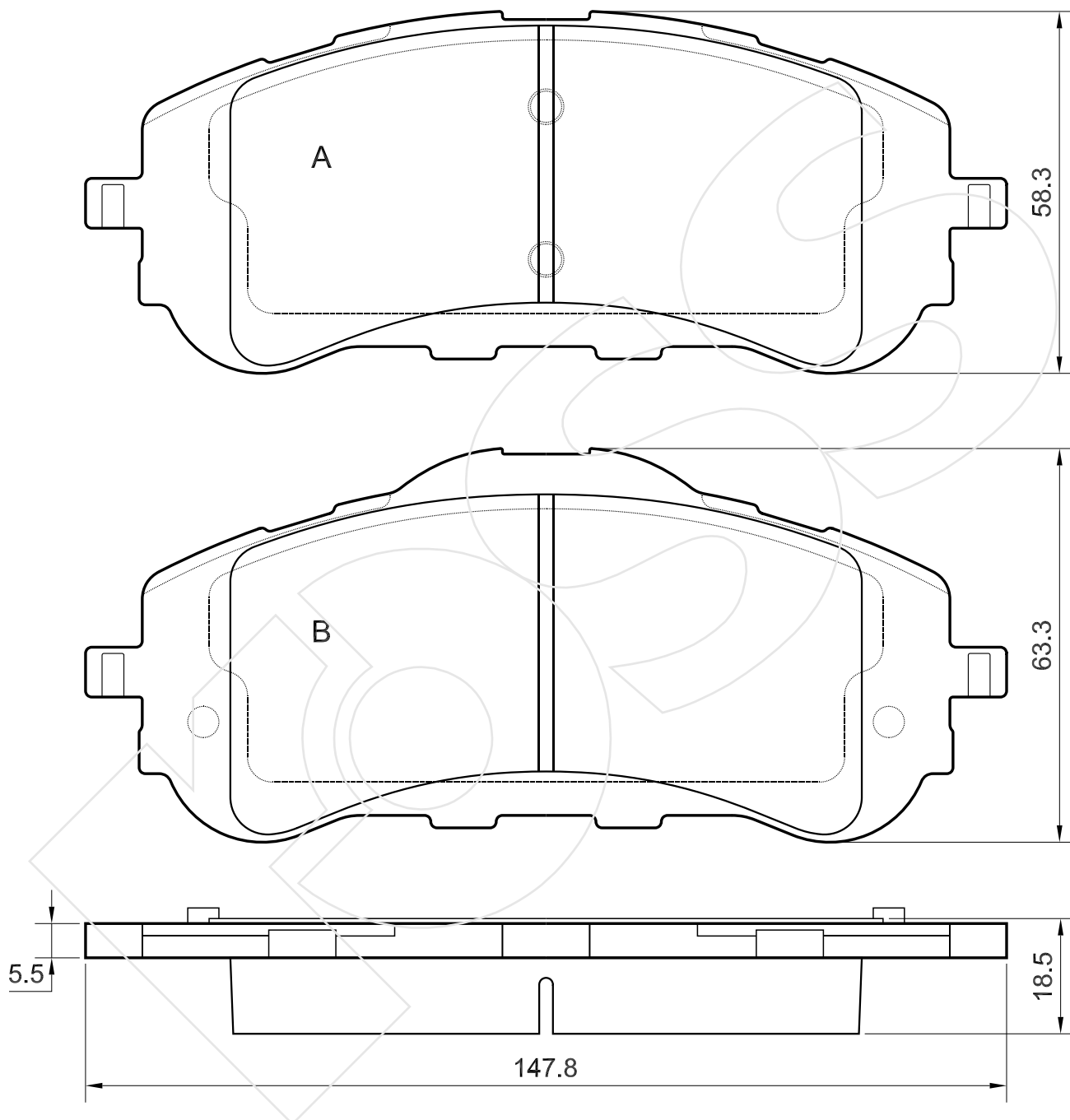
CODICE	IMPIANTO		ASSE	SCALA	APPLICAZIONI
<b>R-1559</b>	MANDO		ANTERIORE	100%	CITROEN
CODICE COMPONENTI	N°	L(mm)	SERIE		PEUGEOT
A0000	2	*	2 PEZZI TIPO A		
A0000	2	*	2 PEZZI TIPO B		
*	*	*	*		
*	*	*	*		
CODICE ACCESSORI	N°	L(mm)	NOTE		
*	*	*			
*	*	*			
*	*	*			
*	*	*			



Reference in this Catalogue to other manufactures and to part numbers and other descriptions are for identification purposes only, because the above DISC BRAKE PADS are NOT ORIGINAL but with these interchangeable.

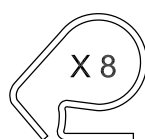
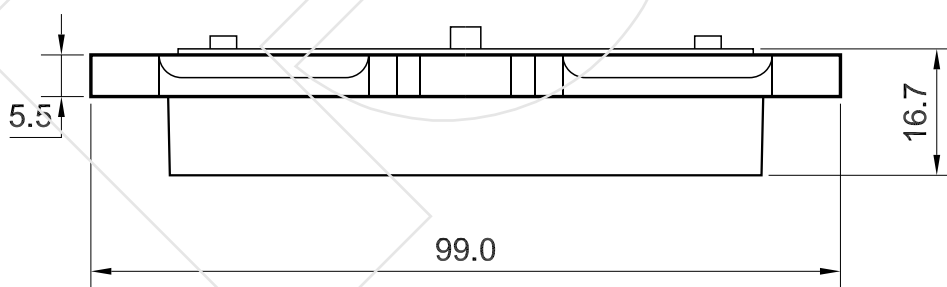
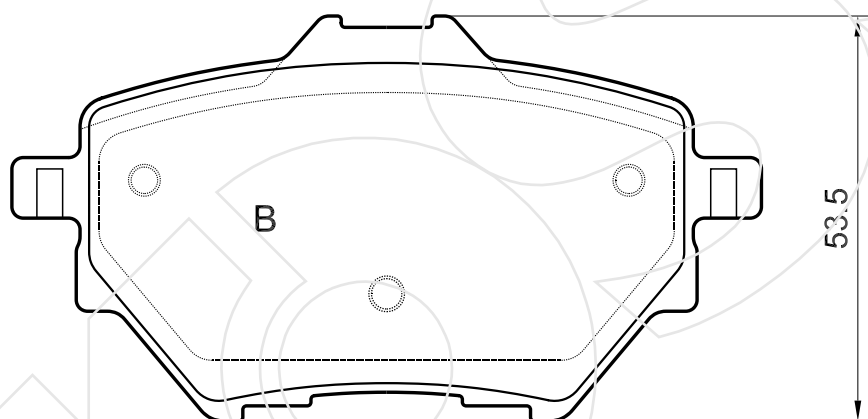
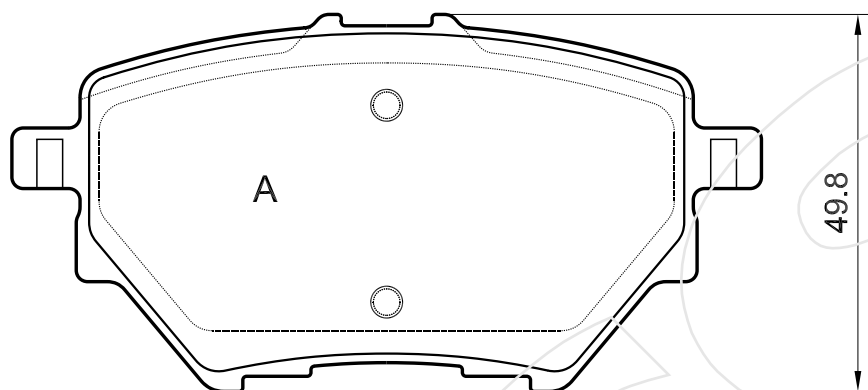


CODICE	IMPIANTO		ASSE	SCALA	APPLICAZIONI
<b>R-1560</b>	BOSCH		ANTERIORE	100%	PEUGEOT
CODICE COMPONENTI	N°	L(mm)	SERIE		
A0000+M0000	2+4	*	2 PEZZI TIPO A		
A0000+M0000	2+4	*	2 PEZZI TIPO B		
*	*	*	*		
*	*	*	*		
CODICE ACCESSORI	N°	L(mm)	NOTE		
*	*	*			
*	*	*			
*	*	*			
*	*	*			



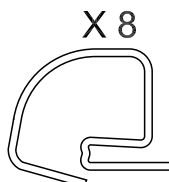
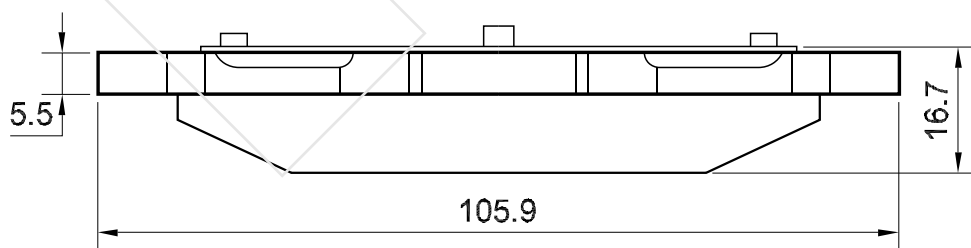
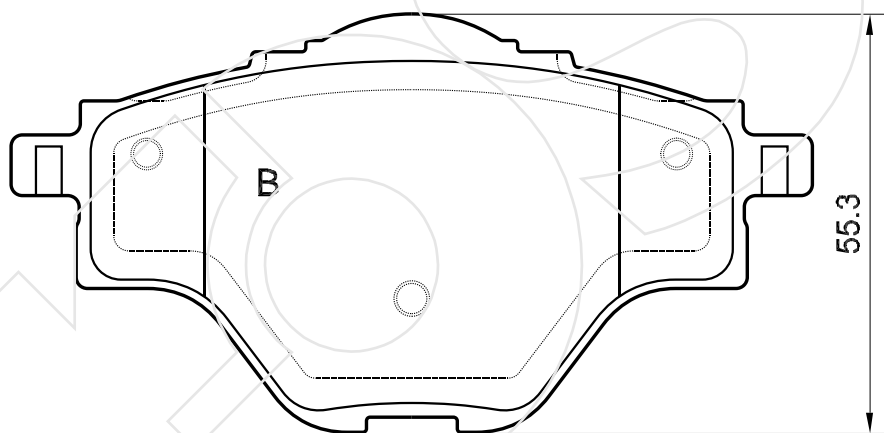
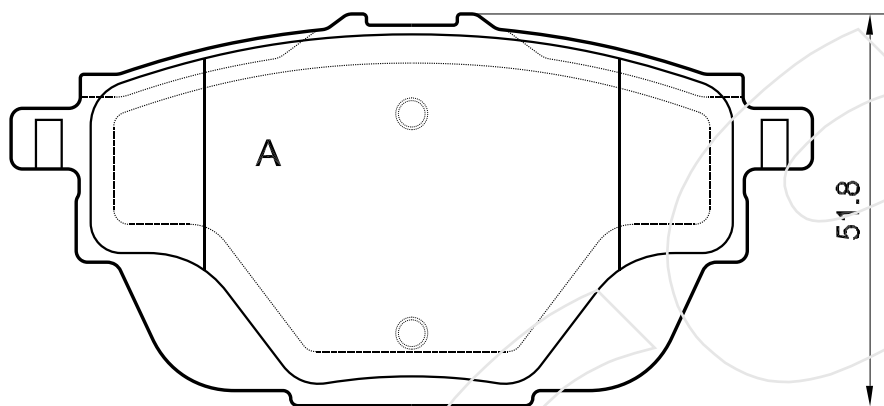
Reference in this Catalogue to other manufactures and to part numbers and other descriptions are for identification purposes only, because the above DISC BRAKE PADS are NOT ORIGINAL but with these interchangeable.

CODICE	IMPIANTO		ASSE	SCALA	APPLICAZIONI
<b>R-1561</b>	BOSCH		POSTERIORE	100%	CITROEN
CODICE COMPONENTI	N°	L(mm)	SERIE		
A0000+M0000	2+4	*	2 PEZZI TIPO A		
A0000+M0000	2+4	*	2 PEZZI TIPO B		
*	*	*	*		
*	*	*	*		
CODICE ACCESSORI	N°	L(mm)	NOTE		
*	*	*			
*	*	*			
*	*	*			
*	*	*			



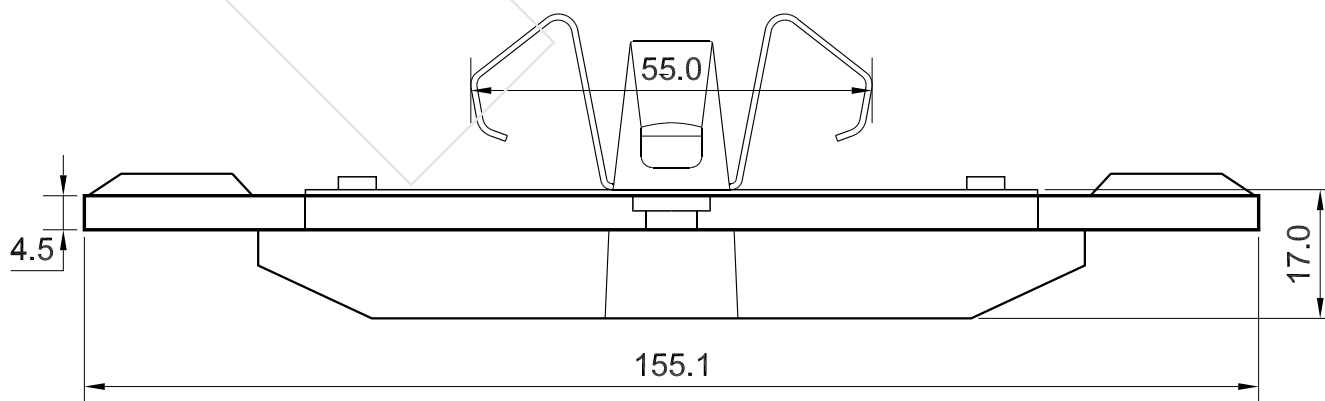
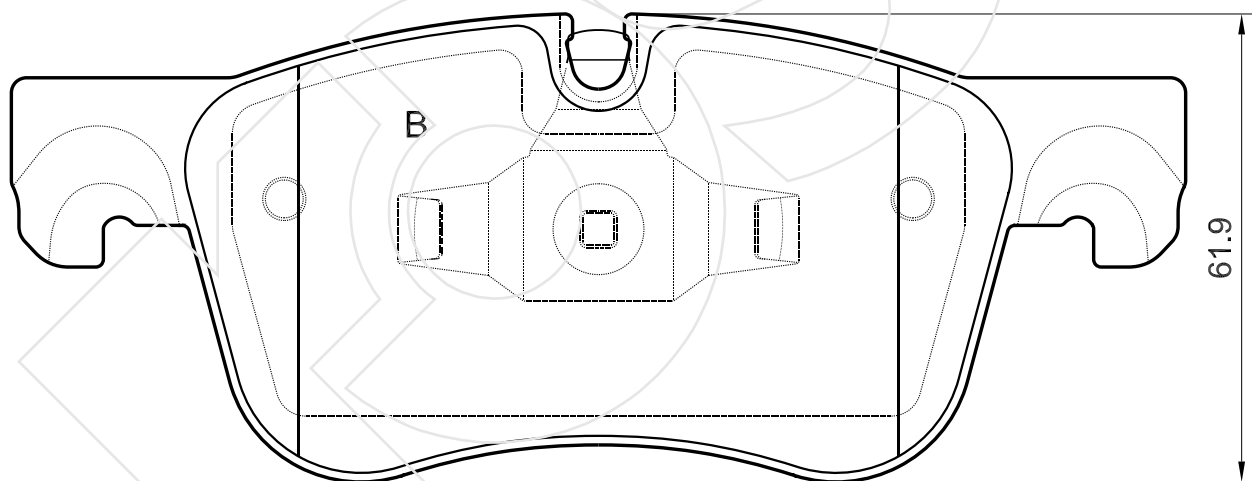
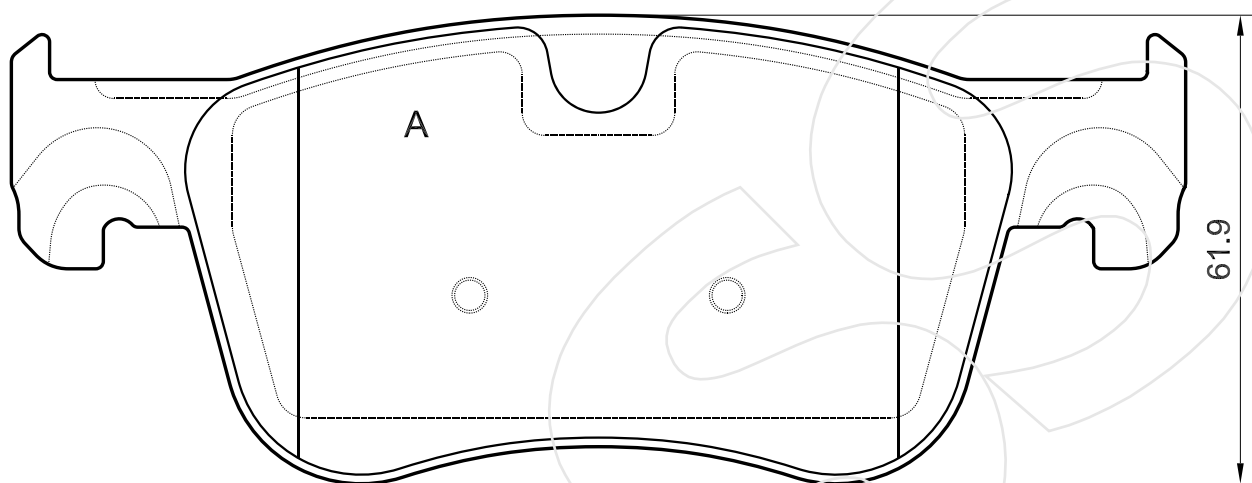
Reference in this Catalogue to other manufactures and to part numbers and other descriptions are for identification purposes only, because the above DISC BRAKE PADS are NOT ORIGINAL but with these interchangeable.

CODICE	IMPIANTO		ASSE	SCALA	APPLICAZIONI
<b>R-1562</b>	BOSCH		POSTERIORE	100%	CITROEN PEUGEOT
CODICE COMPONENTI	N°	L(mm)	SERIE		
A0000	2	*	2 PEZZI TIPO A		
A0000	2	*	2 PEZZI TIPO B		
*	*	*	*		
*	*	*	*		
CODICE ACCESSORI	N°	L(mm)	NOTE		
*	*	*			
*	*	*			
*	*	*			
*	*	*			



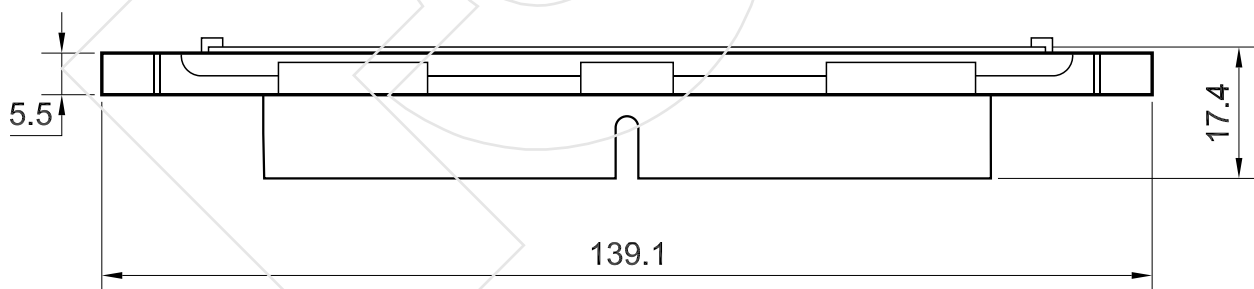
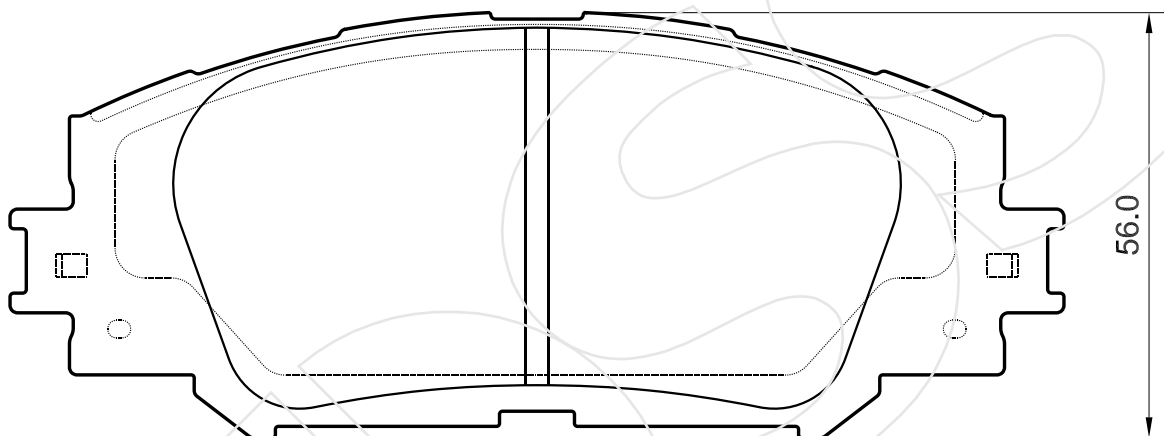
Reference in this Catalogue to other manufactures and to part numbers and other descriptions are for identification purposes only, because the above DISC BRAKE PADS are NOT ORIGINAL but with these interchangeable.

CODICE	IMPIANTO		ASSE	SCALA	APPLICAZIONI
<b>R-1563</b>	ATE		ANTERIORE	100%	CITROEN
CODICE COMPONENTI	N°	L(mm)	SERIE		
A0000	2	*	2 PEZZI TIPO A		
A0000+M0000	2+2	*	2 PEZZI TIPO B		
*	*	*	*		
*	*	*	*		
CODICE ACCESSORI	N°	L(mm)	NOTE		
*	*	*			
*	*	*			
*	*	*			
*	*	*			



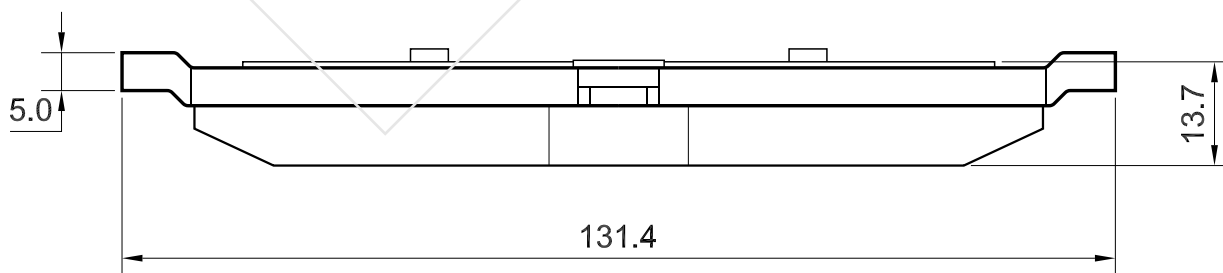
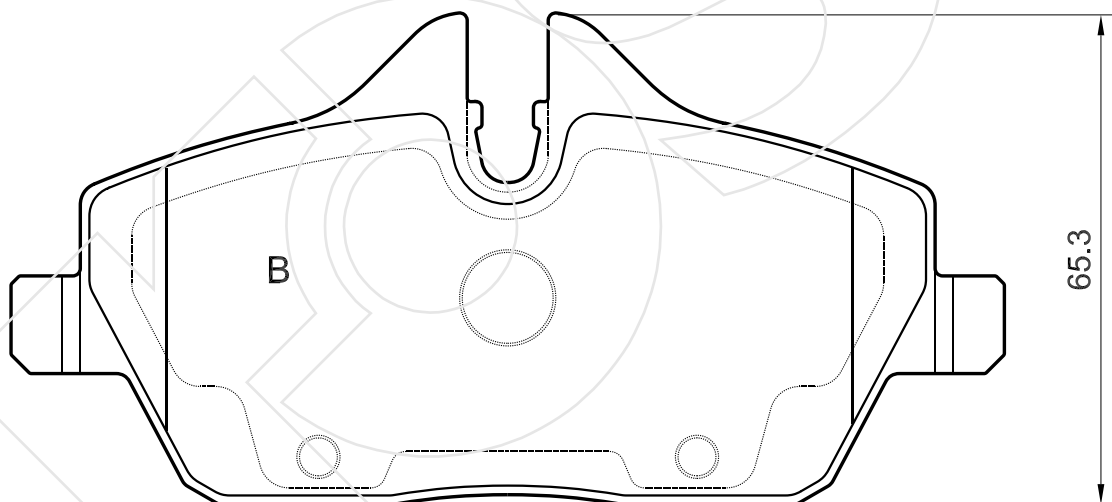
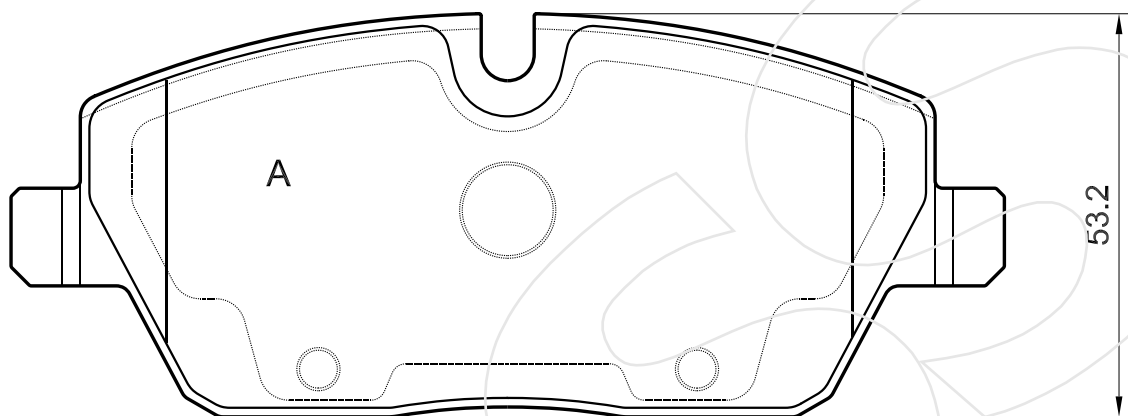
Reference in this Catalogue to other manufactures and to part numbers and other descriptions are for identification purposes only, because the above DISC BRAKE PADS are NOT ORIGINAL but with these interchangeable.

CODICE	IMPIANTO		ASSE	SCALA	APPLICAZIONI
<b>R-1564</b>	ADVICS		ANTERIORE	100%	TOYOTA
CODICE COMPONENTI	N°	L(mm)	SERIE		
A0000	4	*	4 PEZZI		
*	*	*	*		
*	*	*	*		
*	*	*	*		
CODICE ACCESSORI	N°	L(mm)	NOTE		
*	*	*			
*	*	*			
*	*	*			
*	*	*			



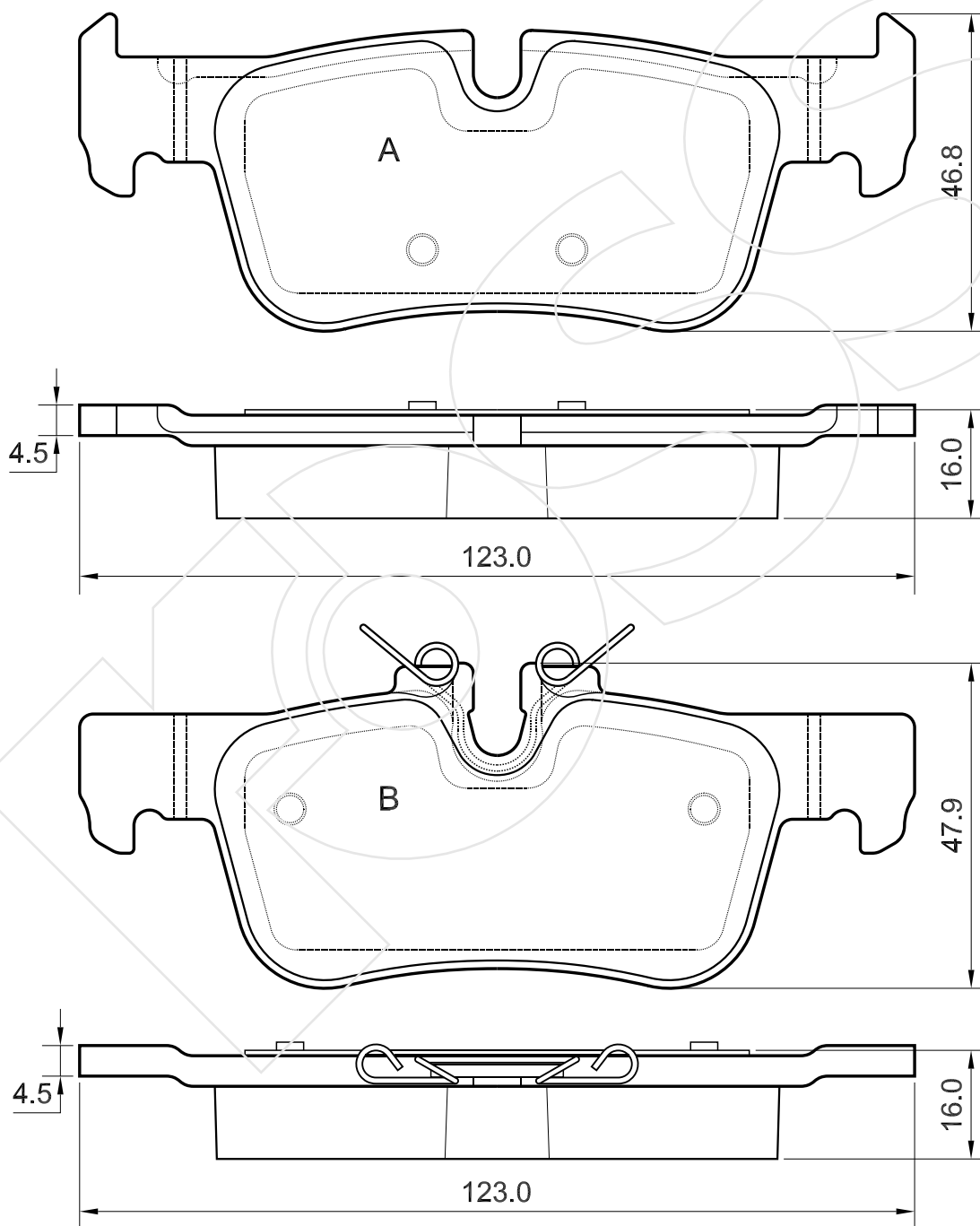
Reference in this Catalogue to other manufactures and to part numbers and other descriptions are for identification purposes only, because the above DISC BRAKE PADS are NOT ORIGINAL but with these interchangeable.

CODICE	IMPIANTO		ASSE	SCALA	APPLICAZIONI
<b>R-1565</b>	TRW		ANTERIORE	100%	BMW
CODICE COMPONENTI	N°	L(mm)	SERIE		
A0000	2	*	2 PEZZI TIPO A		
A0000	2	*	2 PEZZI TIPO B		
*	*	*	*		
*	*	*	*		
CODICE ACCESSORI	N°	L(mm)	NOTE		
*	*	*			
*	*	*			
*	*	*			
*	*	*			



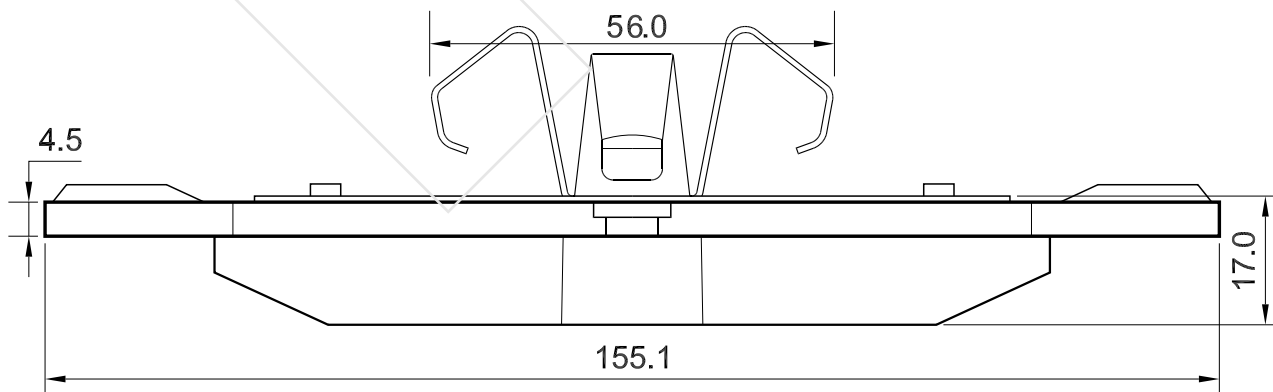
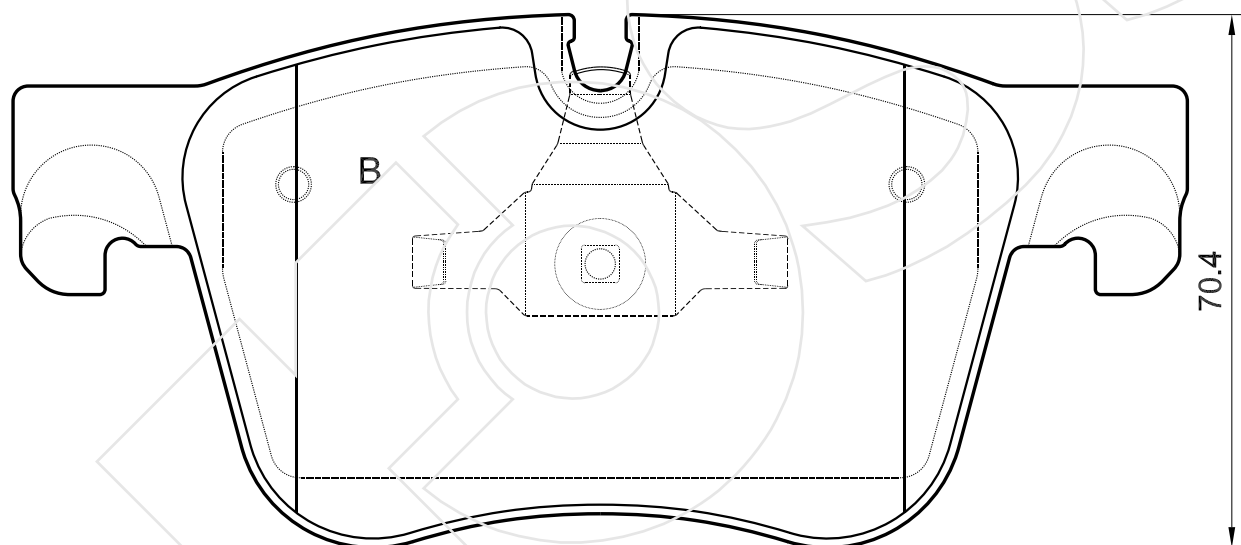
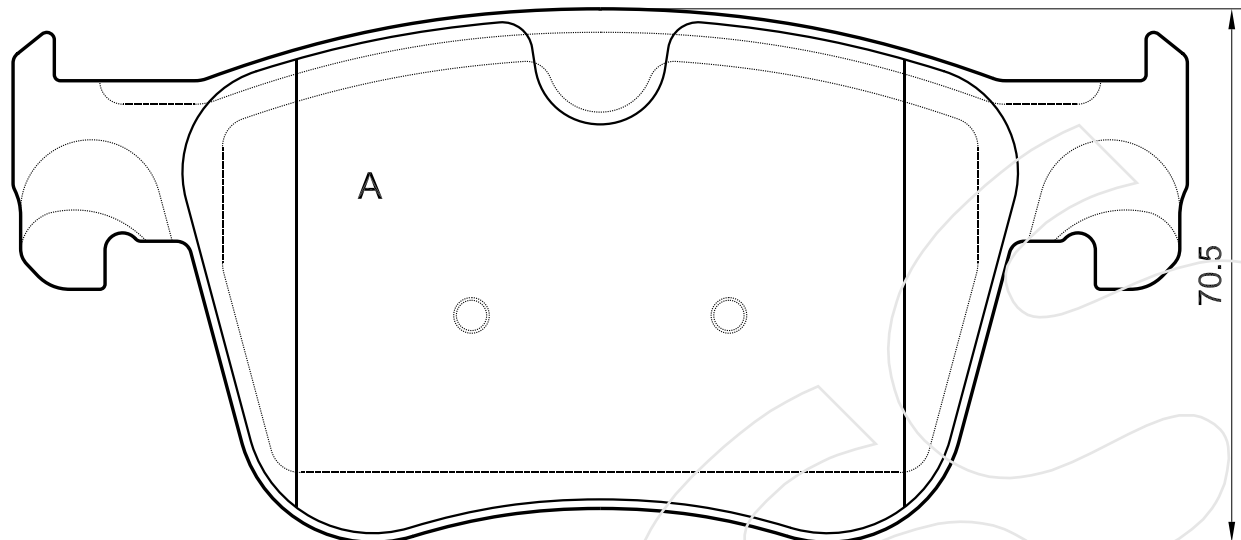
Reference in this Catalogue to other manufactures and to part numbers and other descriptions are for identification purposes only, because the above DISC BRAKE PADS are NOT ORIGINAL but with these interchangeable.

CODICE	IMPIANTO		ASSE	SCALA	APPLICAZIONI
<b>R-1566</b>	ATE		POSTERIORE	100%	BMW I3 ELECTRIC 08/13-
CODICE COMPONENTI	N°	L(mm)	SERIE		
A0000	2	*	2 PEZZI TIPO A		
A0000+M000	2+2	*	2 PEZZI TIPO B		
*	*	*	*		
*	*	*	*		
CODICE ACCESSORI	N°	L(mm)	NOTE		
*	*	*			
*	*	*			
*	*	*			
*	*	*			



Reference in this Catalogue to other manufactures and to part numbers and other descriptions are for identification purposes only, because the above DISC BRAKE PADS are NOT ORIGINAL but with these interchangeable.

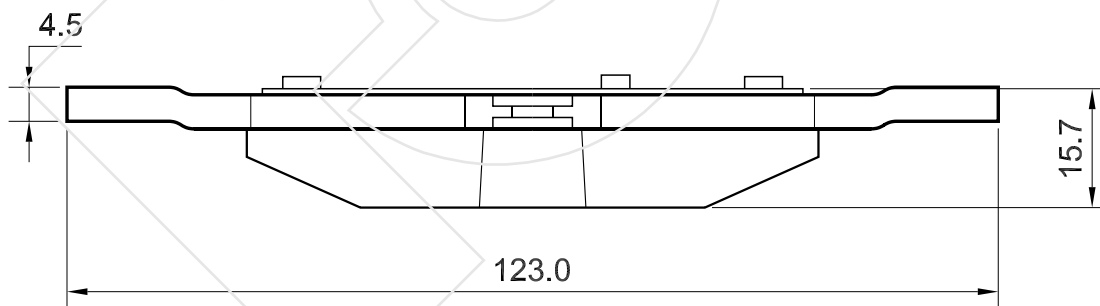
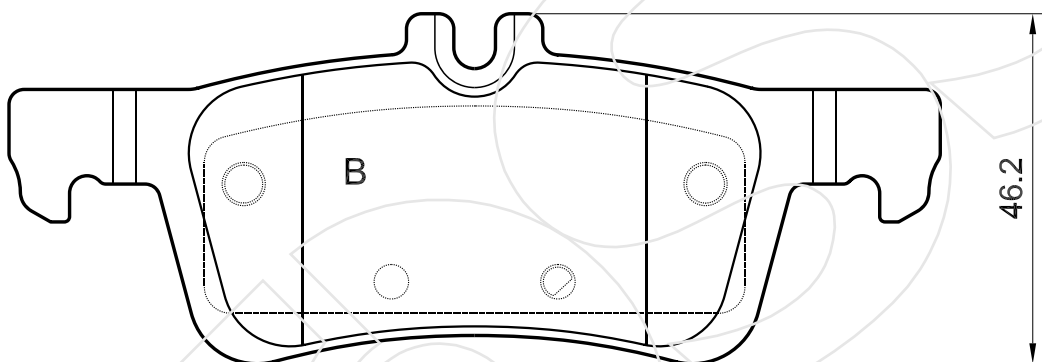
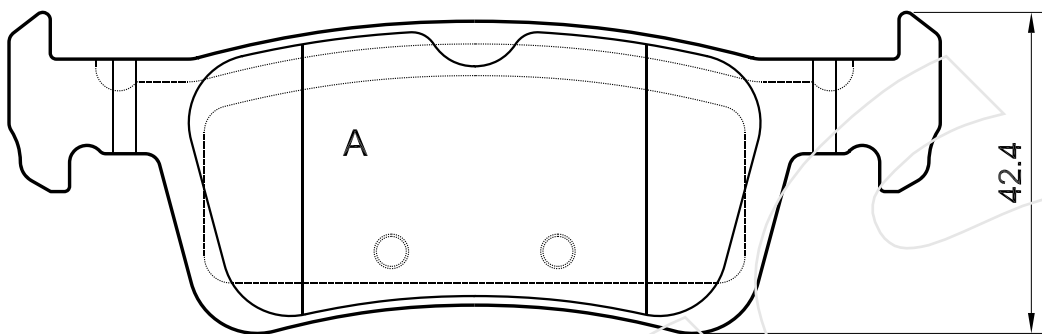
CODICE	IMPIANTO		ASSE	SCALA	APPLICAZIONI
<b>R-1567</b>	ATE		ANTERIORE	100%	CITROEN PEUGEOT
CODICE COMPONENTI	N°	L(mm)	SERIE		
A0000	2	*	2 PEZZI TIPO A		
A0000+M0000	2+2	*	2 PEZZI TIPO B		
*	*	*	*		
*	*	*	*		
CODICE ACCESSORI	N°	L(mm)	NOTE		
*	*	*			
*	*	*			
*	*	*			
*	*	*			



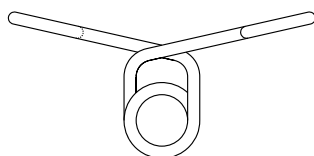
Reference in this Catalogue to other manufactures and to part numbers and other descriptions are for identification purposes only, because the above DISC BRAKE PADS are NOT ORIGINAL but with these interchangeable.



CODICE	IMPIANTO		ASSE	SCALA	APPLICAZIONI
<b>R-1568</b>	ATE		POSTERIORE	100%	PEUGEOT
CODICE COMPONENTI	N°	L(mm)	SERIE		
A0000	2	*	2 PEZZI TIPO A		
A0000+M0000	2+2	*	2 PEZZI TIPO B		
*	*	*	*		
*	*	*	*		
CODICE ACCESSORI	N°	L(mm)	NOTE		
*	*	*			
*	*	*			
*	*	*			
*	*	*			

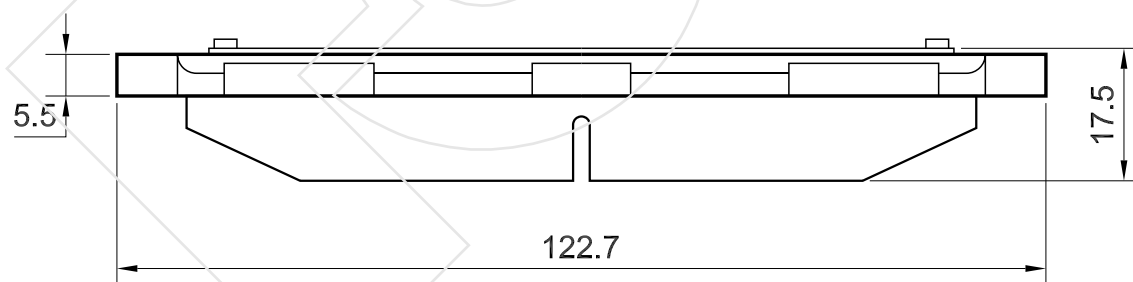
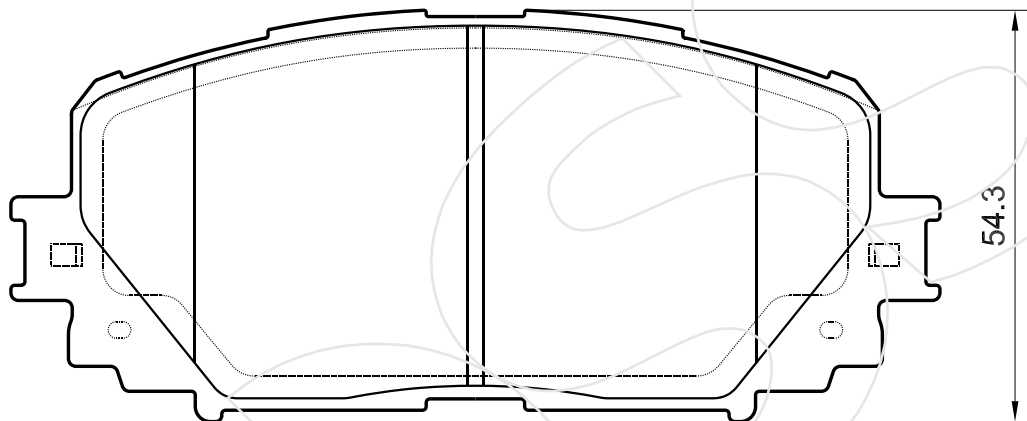


X 2



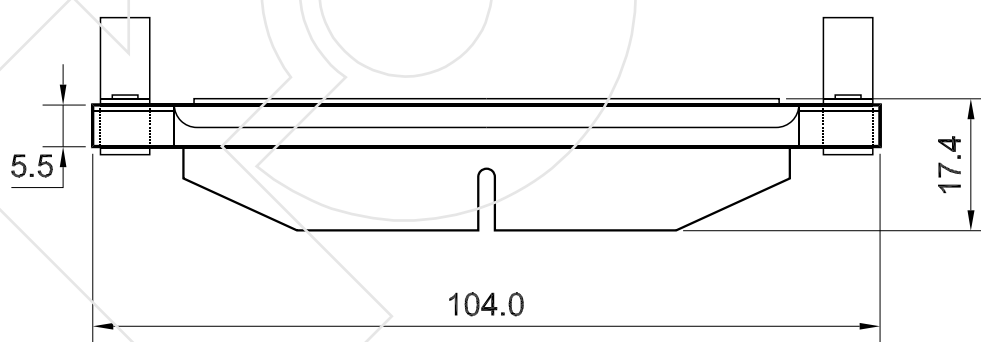
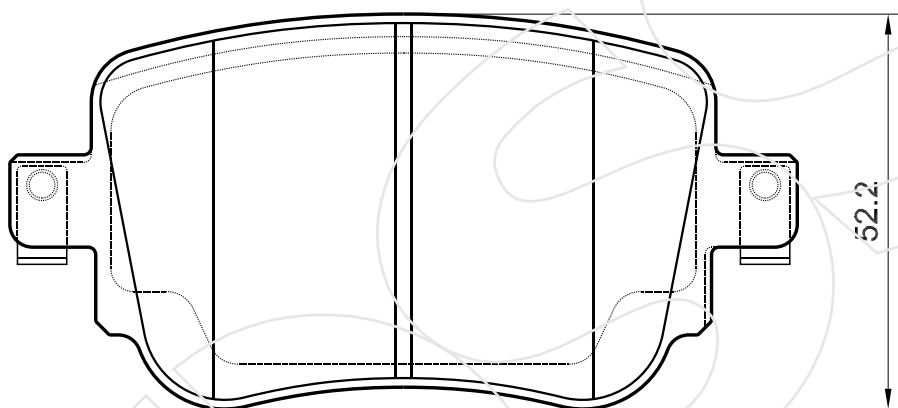
Reference in this Catalogue to other manufactures and to part numbers and other descriptions are for identification purposes only, because the above DISC BRAKE PADS are NOT ORIGINAL but with these interchangeable.

CODICE	IMPIANTO		ASSE	SCALA	APPLICAZIONI
<b>R-1569</b>	AKEBONO		ANTERIORE	100%	TOYOTA
CODICE COMPONENTI	N°	L(mm)	SERIE		
A0000	4	*	4 PEZZI		
*	*	*	*		
*	*	*	*		
*	*	*	*		
CODICE ACCESSORI	N°	L(mm)	NOTE		
*	*	*			
*	*	*			
*	*	*			
*	*	*			



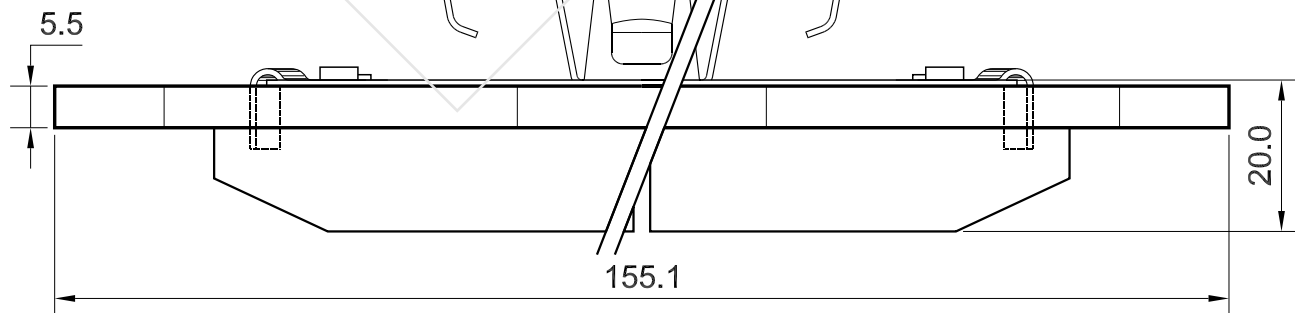
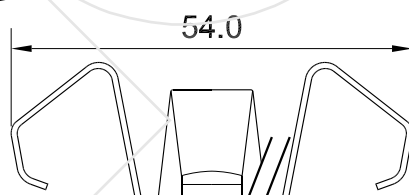
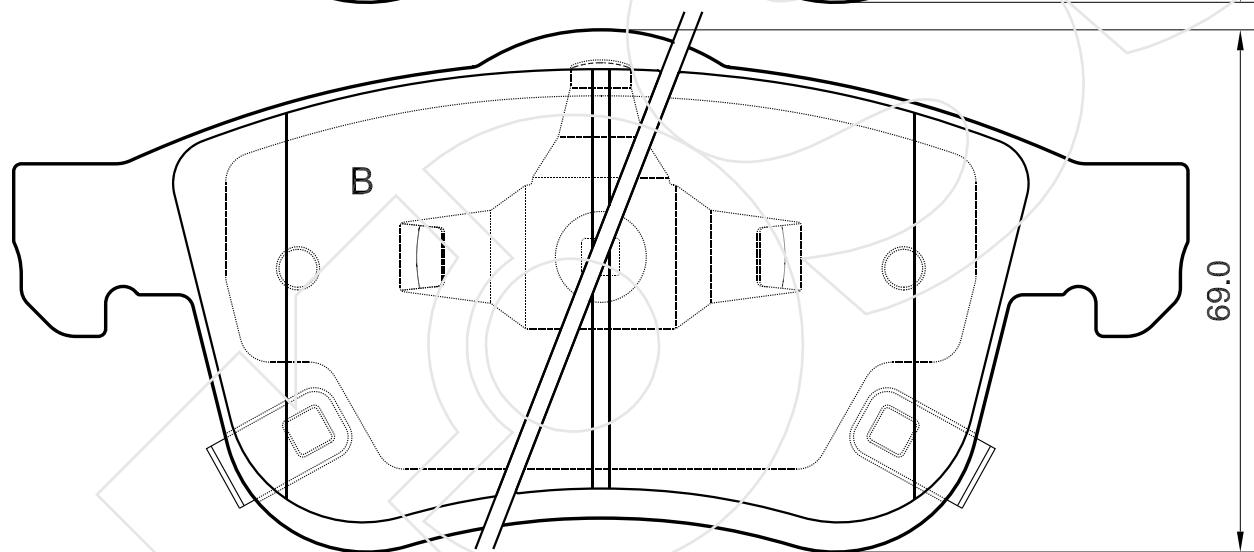
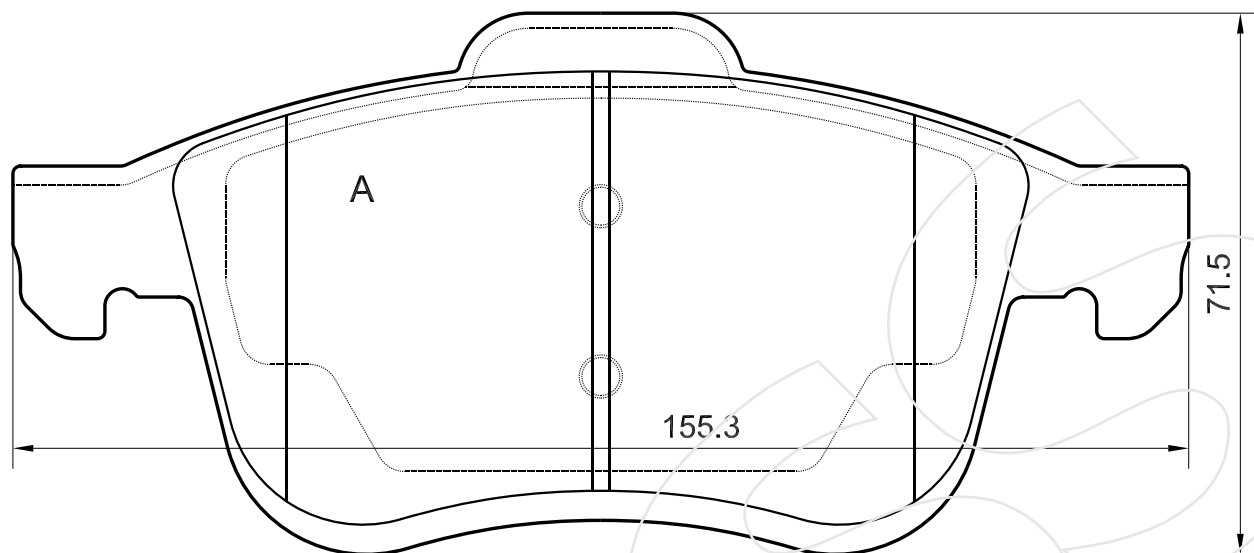
Reference in this Catalogue to other manufactures and to part numbers and other descriptions are for identification purposes only, because the above DISC BRAKE PADS are NOT ORIGINAL but with these interchangeable.

CODICE	IMPIANTO		ASSE	SCALA	APPLICAZIONI
<b>R-1570</b>	TRW		POSTERIORE	100%	SKODA
CODICE COMPONENTI	N°	L(mm)	SERIE		SEAT
A0000+M0000	4+8	*	4 PEZZI		
*	*	*	*		
*	*	*	*		
*	*	*	*		VOLKSWAGEN
CODICE ACCESSORI	N°	L(mm)	NOTE		
*	*	*			
*	*	*			
*	*	*			
*	*	*			



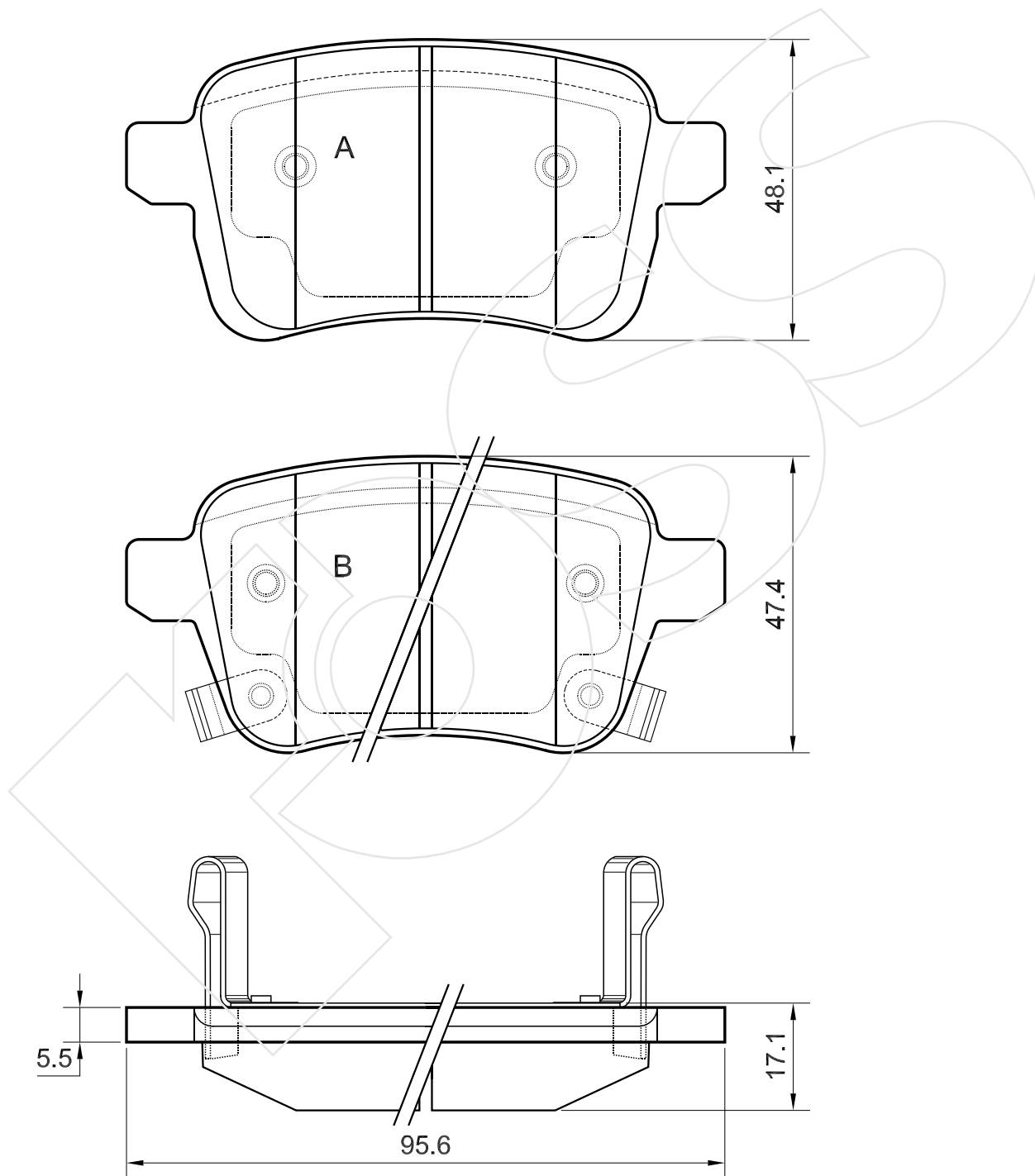
Reference in this Catalogue to other manufactures and to part numbers and other descriptions are for identification purposes only, because the above DISC BRAKE PADS are NOT ORIGINAL but with these interchangeable.

CODICE	IMPIANTO		ASSE	SCALA	APPLICAZIONI
<b>R-1571</b>	ATE		ANTERIORE	100%	FIAT
CODICE COMPONENTI	N°	L(mm)	SERIE		
A0000	2	*	2 PEZZI TIPO A		
A0000+M0284+M0000	2+2+2	*	2 PEZZI TIPO B		
*	*	*	*		
*	*	*	*		
CODICE ACCESSORI	N°	L(mm)	NOTE		
*	*	*			
*	*	*			
*	*	*			
*	*	*			



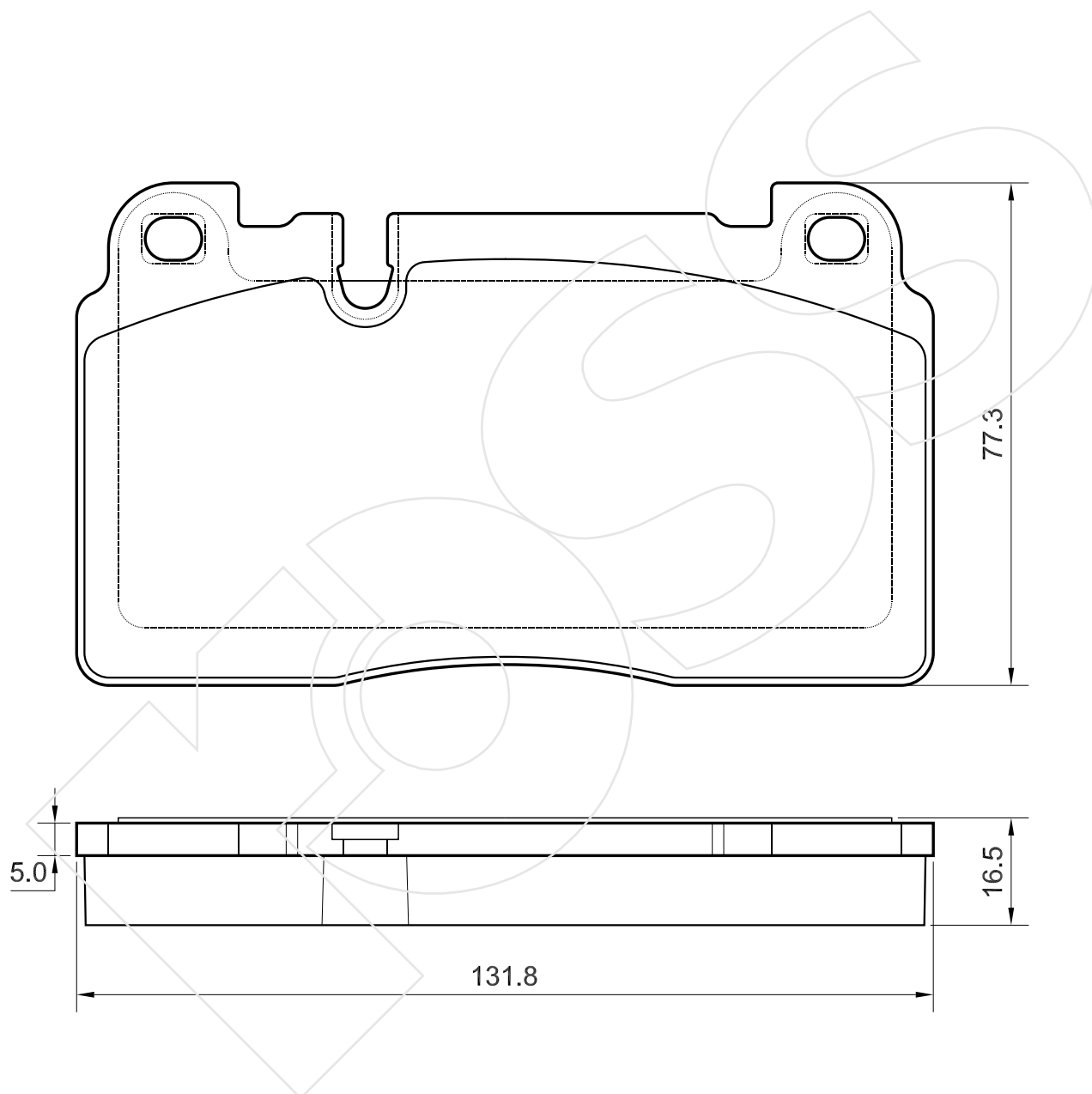
Reference in this Catalogue to other manufactures and to part numbers and other descriptions are for identification purposes only, because the above DISC BRAKE PADS are NOT ORIGINAL but with these interchangeable.

CODICE	IMPIANTO		ASSE	SCALA	APPLICAZIONI
<b>R-1572</b>	TRW		POSTERIORE	100%	FIAT
CODICE COMPONENTI	N°	L(mm)	SERIE		
A0000	2	*	2 PEZZI TIPO A		
A0000+M0000	2+2	*	2 PEZZI TIPO B		
*	*	*	*		
*	*	*	*		
CODICE ACCESSORI	N°	L(mm)	NOTE		
*	*	*			
*	*	*			
*	*	*			
*	*	*			



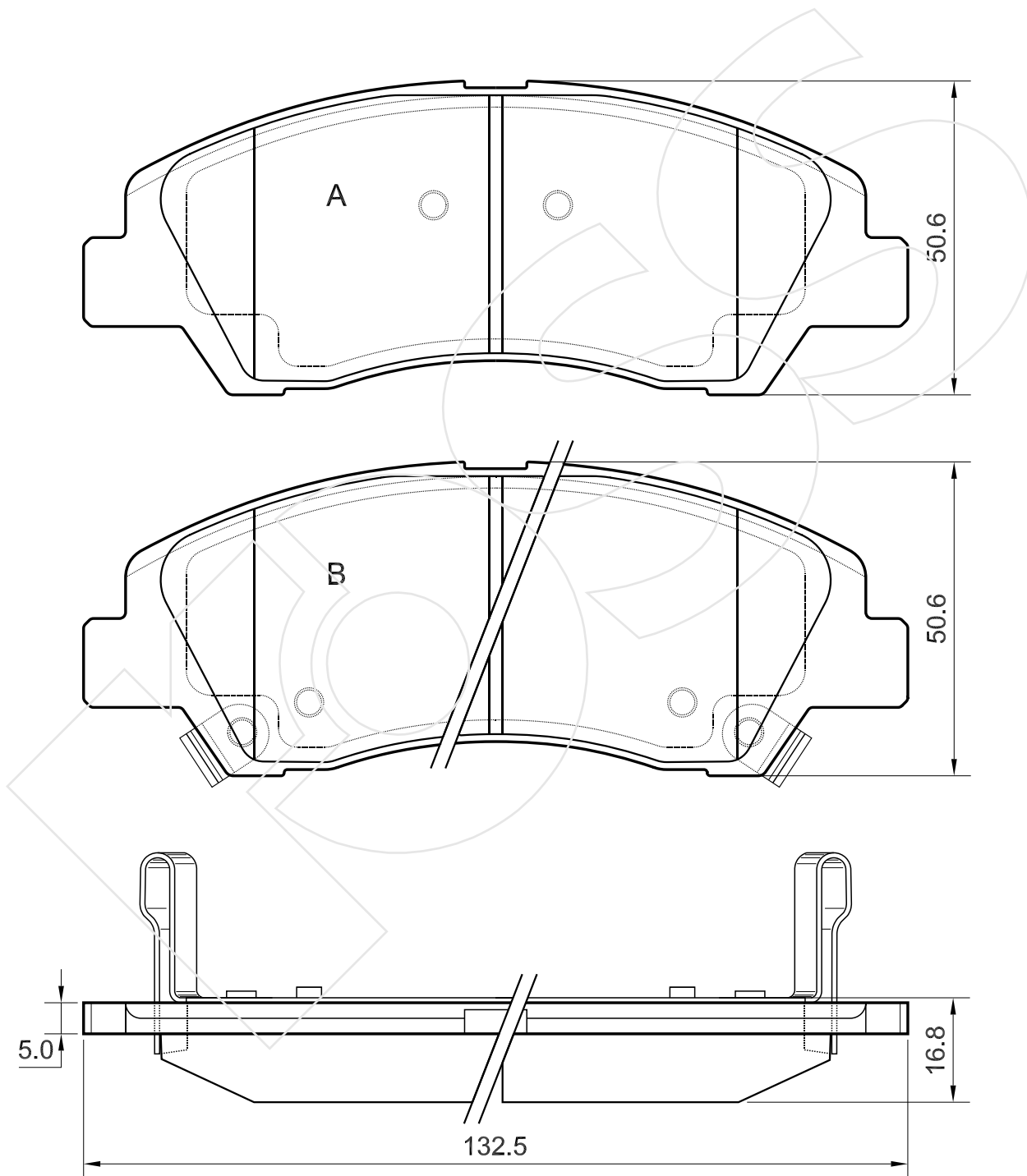
Reference in this Catalogue to other manufactures and to part numbers and other descriptions are for identification purposes only, because the above DISC BRAKE PADS are NOT ORIGINAL but with these interchangeable.

CODICE	IMPIANTO		ASSE	SCALA	APPLICAZIONI
<b>R-1573</b>	BREMBO		ANTERIORE	100%	AUDI
CODICE COMPONENTI	N°	L(mm)	SERIE		
A0000	4	*	4 PEZZI		
*	*	*	*		
*	*	*	*		
*	*	*	*		
CODICE ACCESSORI	N°	L(mm)	NOTE		
*	*	*			
*	*	*			
*	*	*			
*	*	*			



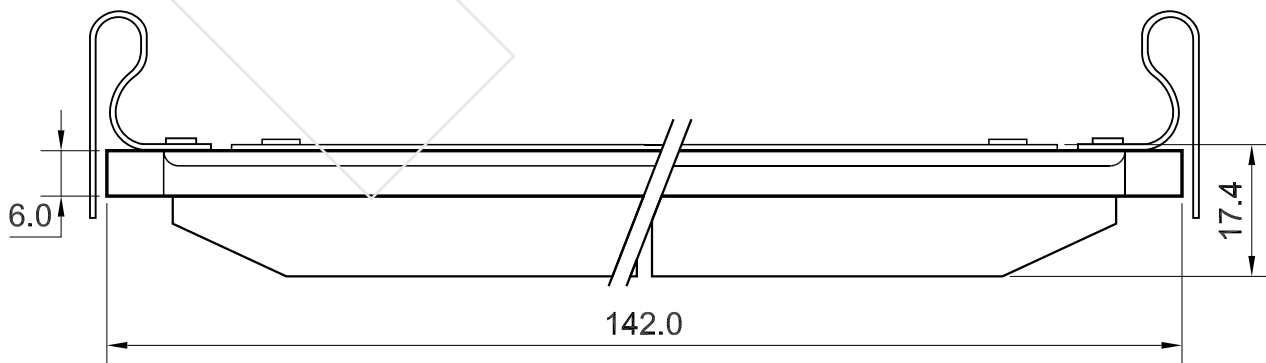
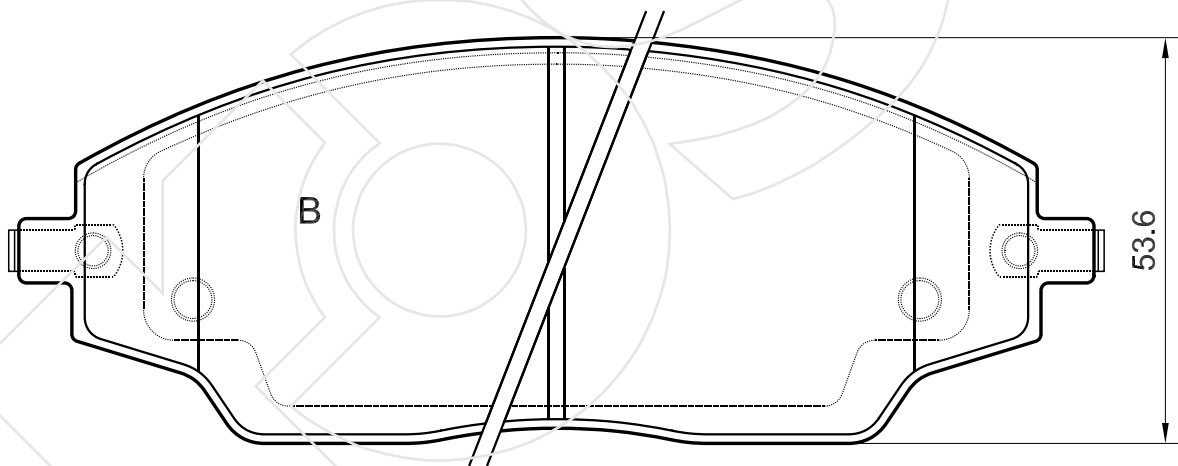
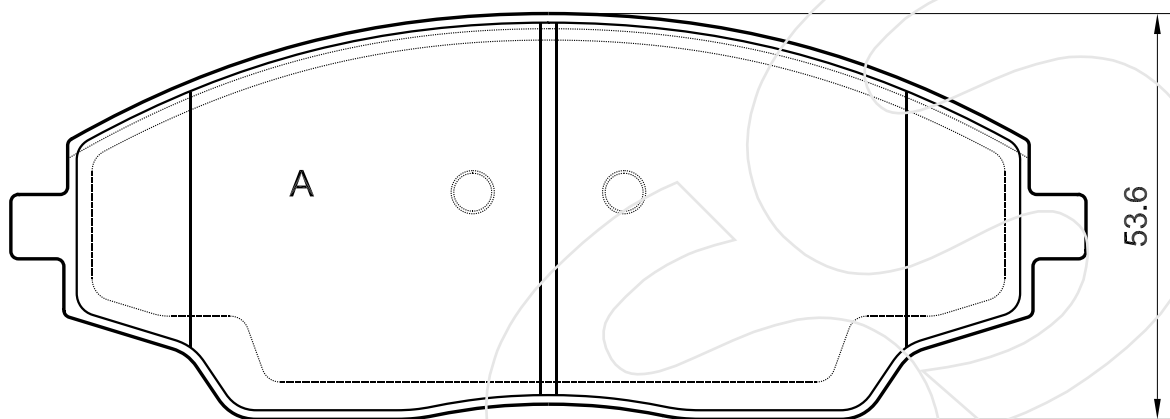
Reference in this Catalogue to other manufactures and to part numbers and other descriptions are for identification purposes only, because the above DISC BRAKE PADS are NOT ORIGINAL but with these interchangeable.

CODICE	IMPIANTO	ASSE	SCALA	APPLICAZIONI
<b>R-1574</b>	*	ANTERIORE	100%	HYUNDAI
CODICE COMPONENTI	N°	L(mm)	SERIE	
A0000	2	*	2 PEZZI TIPO A	
A0000+M0177	2+2	*	2 PEZZI TIPO B	
*	*	*	*	
*	*	*	*	
CODICE ACCESSORI	N°	L(mm)	NOTE	
*	*	*		
*	*	*		
*	*	*		
*	*	*		



Reference in this Catalogue to other manufactures and to part numbers and other descriptions are for identification purposes only, because the above DISC BRAKE PADS are NOT ORIGINAL but with these interchangeable.

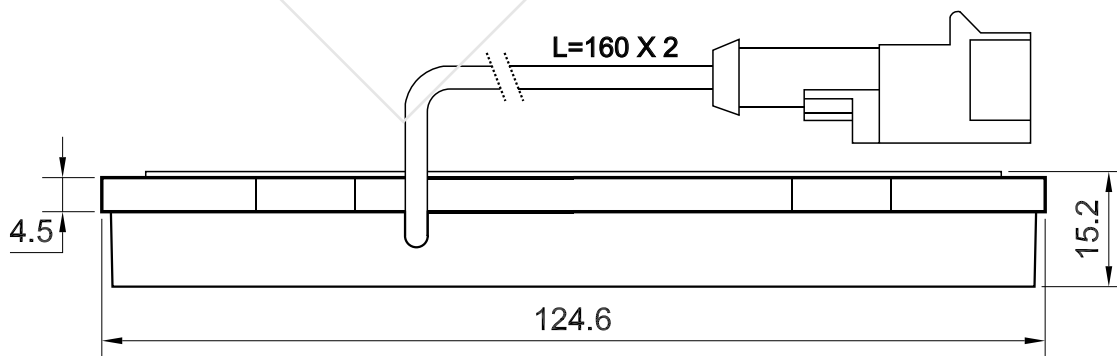
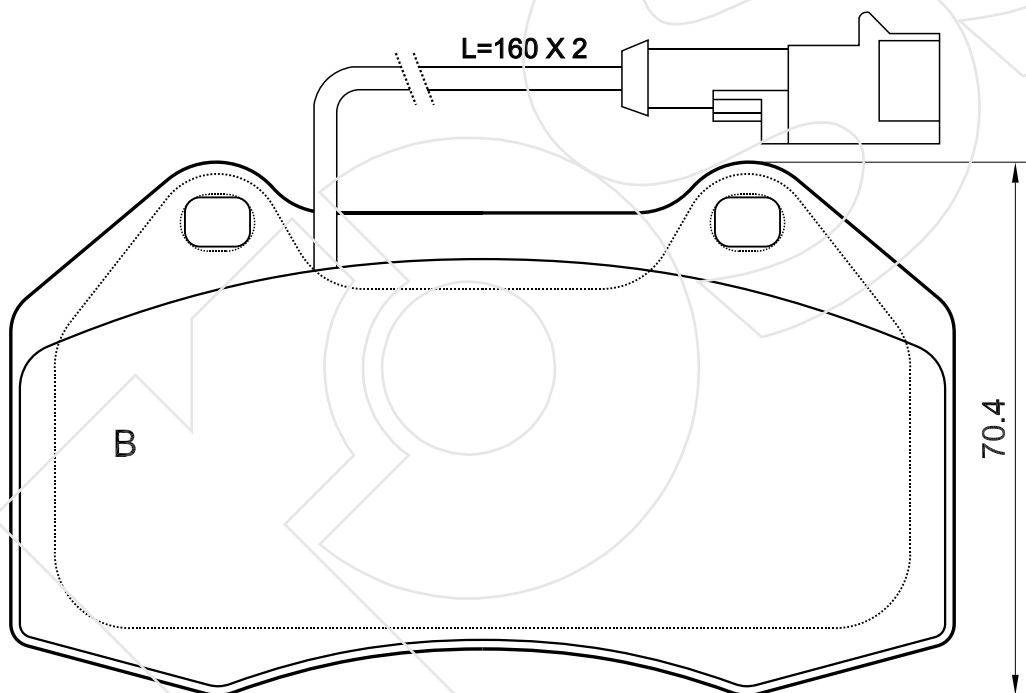
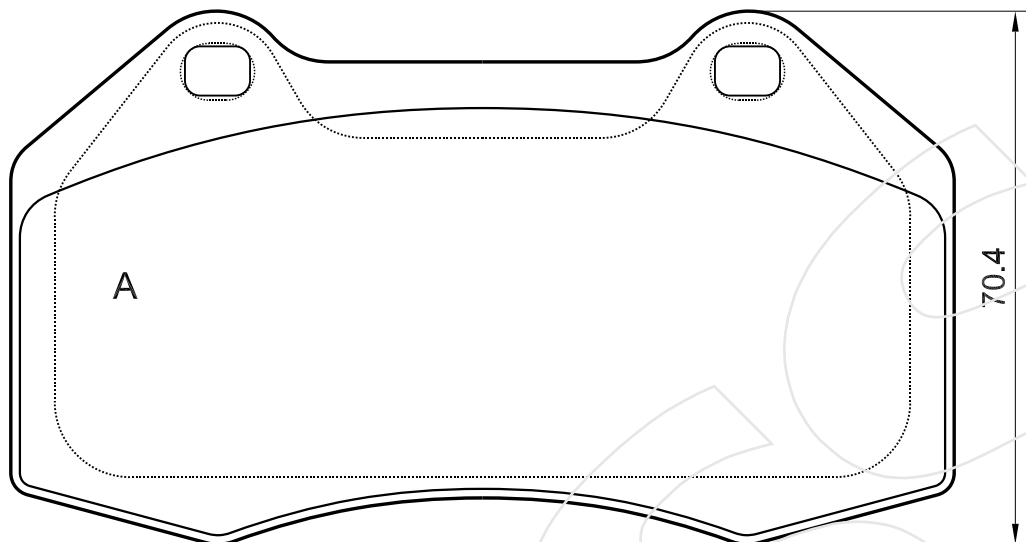
CODICE	IMPIANTO		ASSE	SCALA	APPLICAZIONI
<b>R-1575</b>	MANDO		ANTERIORE	100%	CHEVROLET
CODICE COMPONENTI	N°	L(mm)	SERIE		
A0000	2	*	2 PEZZI TIPO A		
A0000+M0000	2+2	*	2 PEZZI TIPO B		
*	*	*	*		
*	*	*	*		
CODICE ACCESSORI	N°	L(mm)	NOTE		
*	*	*			
*	*	*			
*	*	*			
*	*	*			



Reference in this Catalogue to other manufactures and to part numbers and other descriptions are for identification purposes only, because the above DISC BRAKE PADS are NOT ORIGINAL but with these interchangeable.

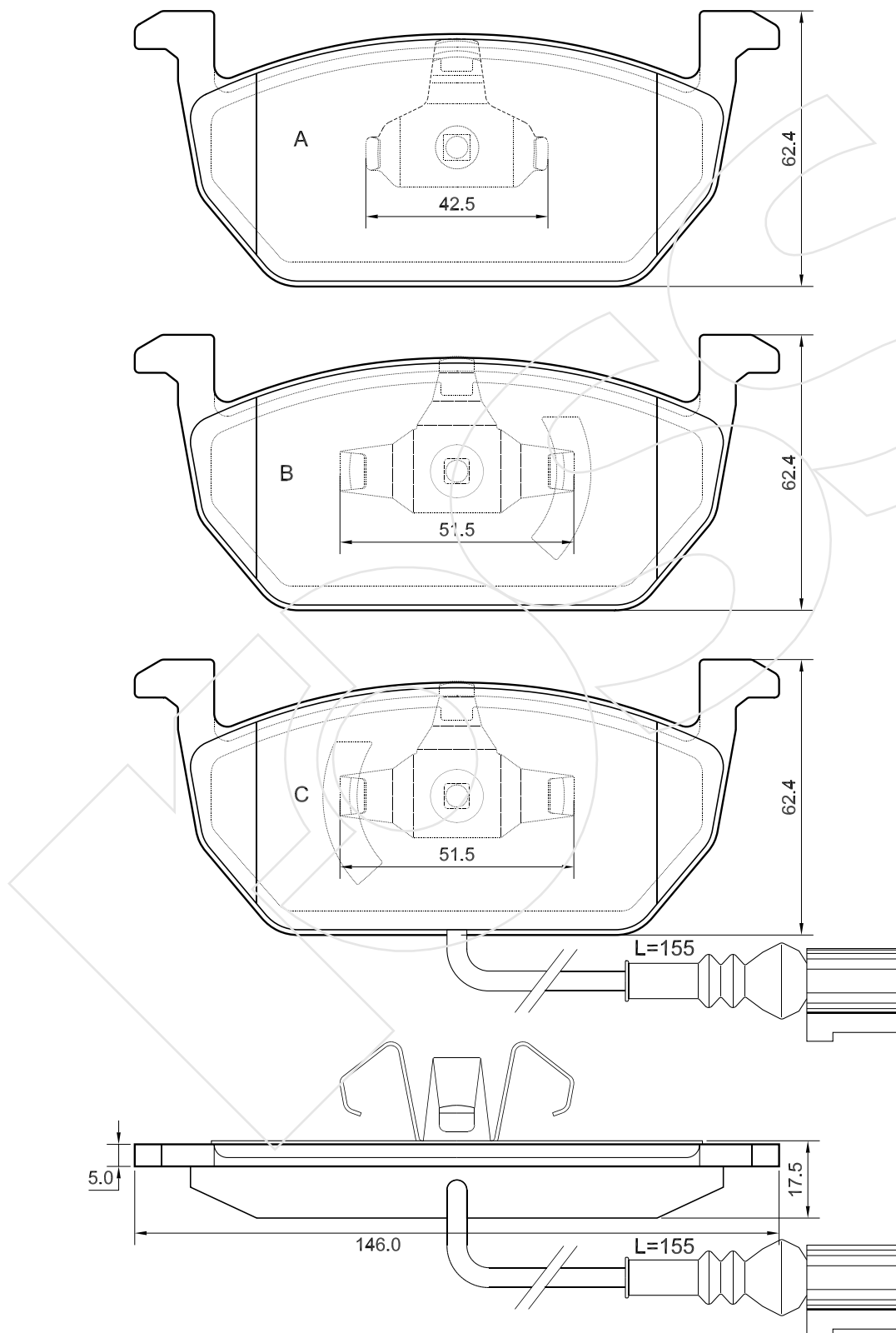


CODICE	IMPIANTO		ASSE	SCALA	APPLICAZIONI
<b>R-1576</b>	BREMBO		ANTERIORE	100%	FIAT
CODICE COMPONENTI	N°	L(mm)	SERIE		
A0079	2	*	2 PEZZI TIPO A		
A0079+F3019	2+2	160	2 PEZZI TIPO B		
*	*	*	*		
*	*	*	*		
CODICE ACCESSORI	N°	L(mm)	NOTE		
*	*	*			
*	*	*			
*	*	*			
*	*	*			



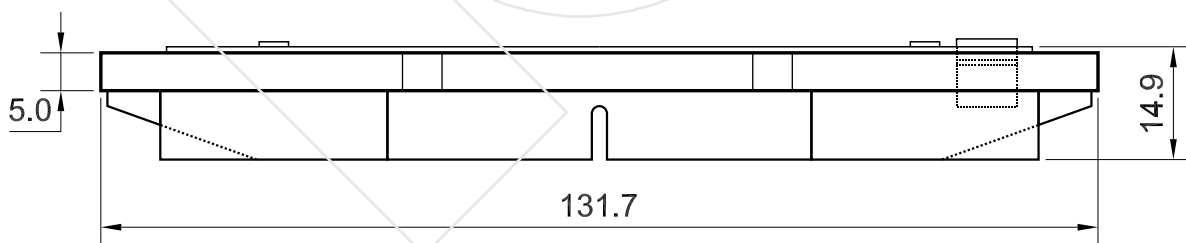
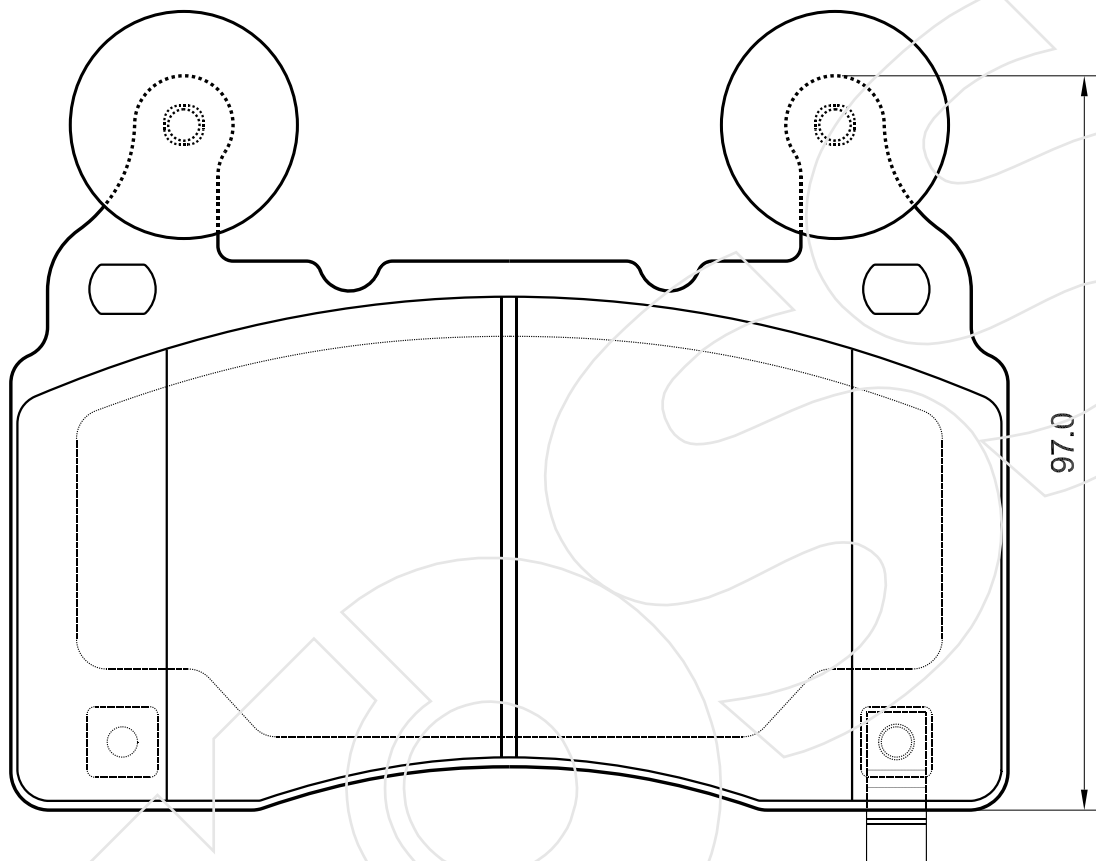
Reference in this Catalogue to other manufactures and to part numbers and other descriptions are for identification purposes only, because the above DISC BRAKE PADS are NOT ORIGINAL but with these interchangeable.

CODICE	IMPIANTO		ASSE	SCALA	APPLICAZIONI
<b>R-1577</b>	ATE		ANTERIORE	70%	SEAT
CODICE COMPONENTI	N°	L(mm)	SERIE		SKODA
A0000+M0128	2+2	*	2 PEZZI TIPO A		
A0000+M0172	1+1	*	1 PEZZO TIPO B		
A0000+M0172+F3114	1+1+1	155	1 PEZZO TIPO C		
*	*	*	*		VOLKSWAGEN
CODICE ACCESSORI	N°	L(mm)	NOTE		
*	*	*			
*	*	*			
*	*	*			
*	*	*			



Reference in this Catalogue to other manufactures and to part numbers and other descriptions are for identification purposes only, because the above DISC BRAKE PADS are NOT ORIGINAL but with these interchangeable.

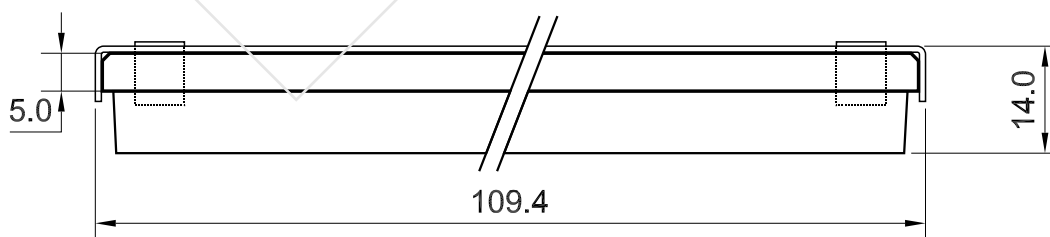
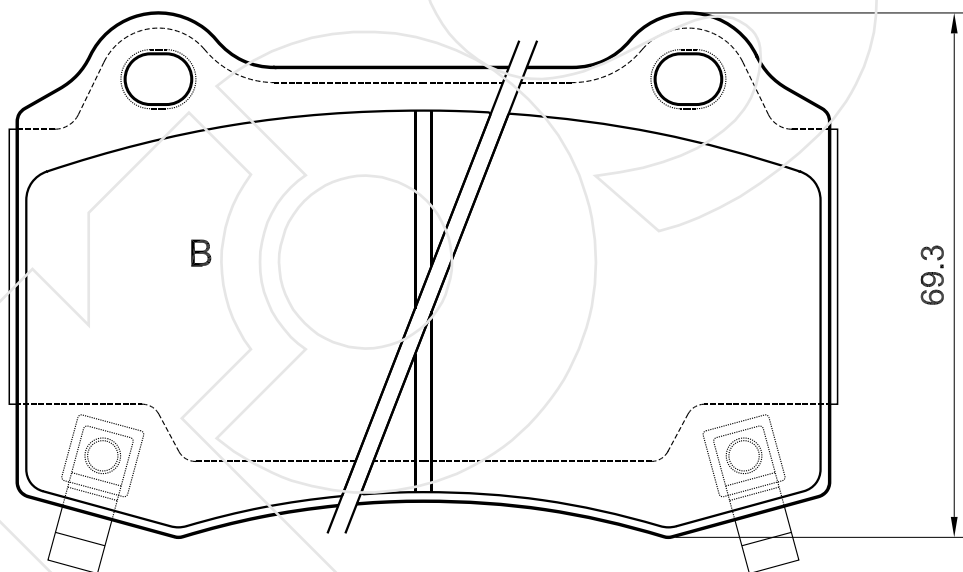
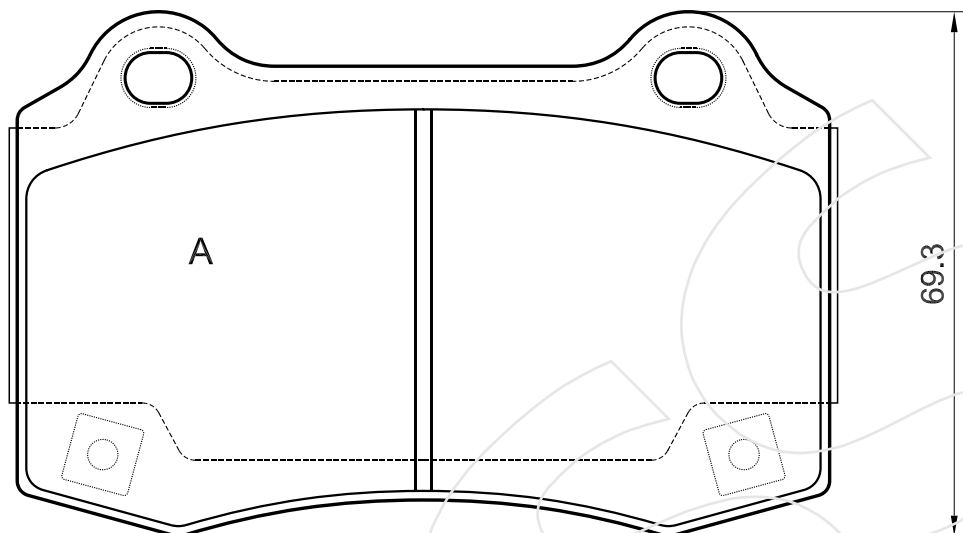
CODICE	IMPIANTO	ASSE	SCALA	APPLICAZIONI
<b>R-1578</b>	BREMBO	ANTERIORE	100%	TESLA
CODICE COMPONENTI	N°	L(mm)	SERIE	
A0000+M0300+M0373	4+4+8	*	4 PEZZI	
*	*	*	*	
*	*	*	*	
*	*	*	*	
CODICE ACCESSORI	N°	L(mm)	NOTE	
*	*	*		
*	*	*		
*	*	*		
*	*	*		



Reference in this Catalogue to other manufactures and to part numbers and other descriptions are for identification purposes only, because the above DISC BRAKE PADS are NOT ORIGINAL but with these interchangeable.

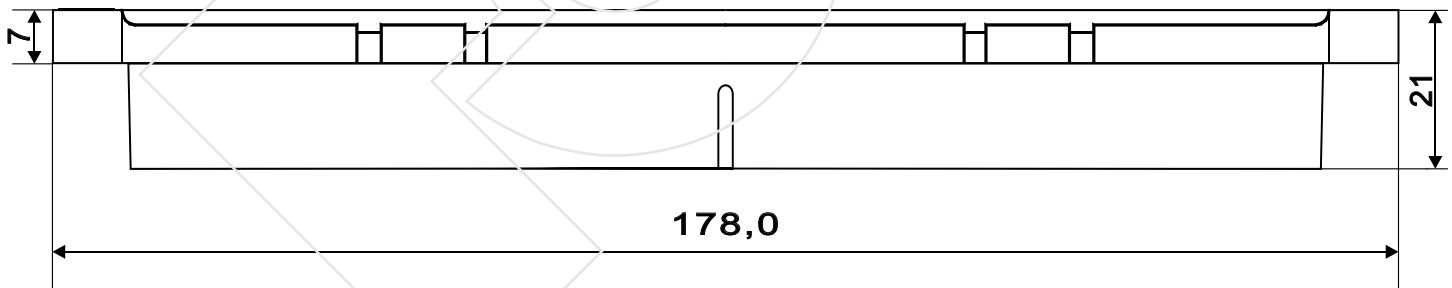
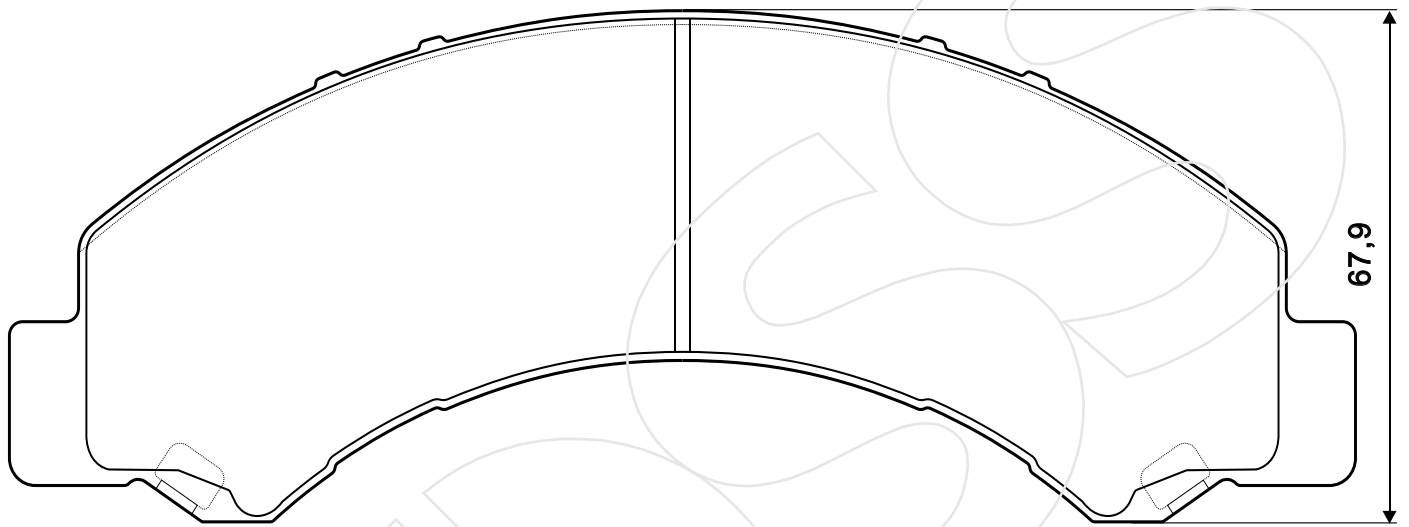
CODICE	IMPIANTO		ASSE	SCALA	APPLICAZIONI
<b>R-1579</b>	BREMBO		POSTERIORE	100%	HYUNDAI
CODICE COMPONENTI	N°	L(mm)	SERIE		
A0000	2	*	2 PEZZI TIPO A		
A0000+M0300	2+2	*	2 PEZZI TIPO B		
*	*	*	*		
*	*	*	*		
CODICE ACCESSORI	N°	L(mm)	NOTE		
*	*	*			
*	*	*			
*	*	*			
*	*	*			

TESLA S



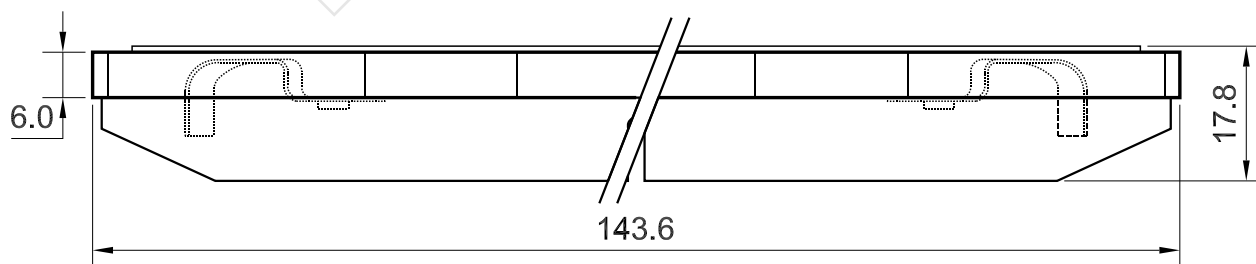
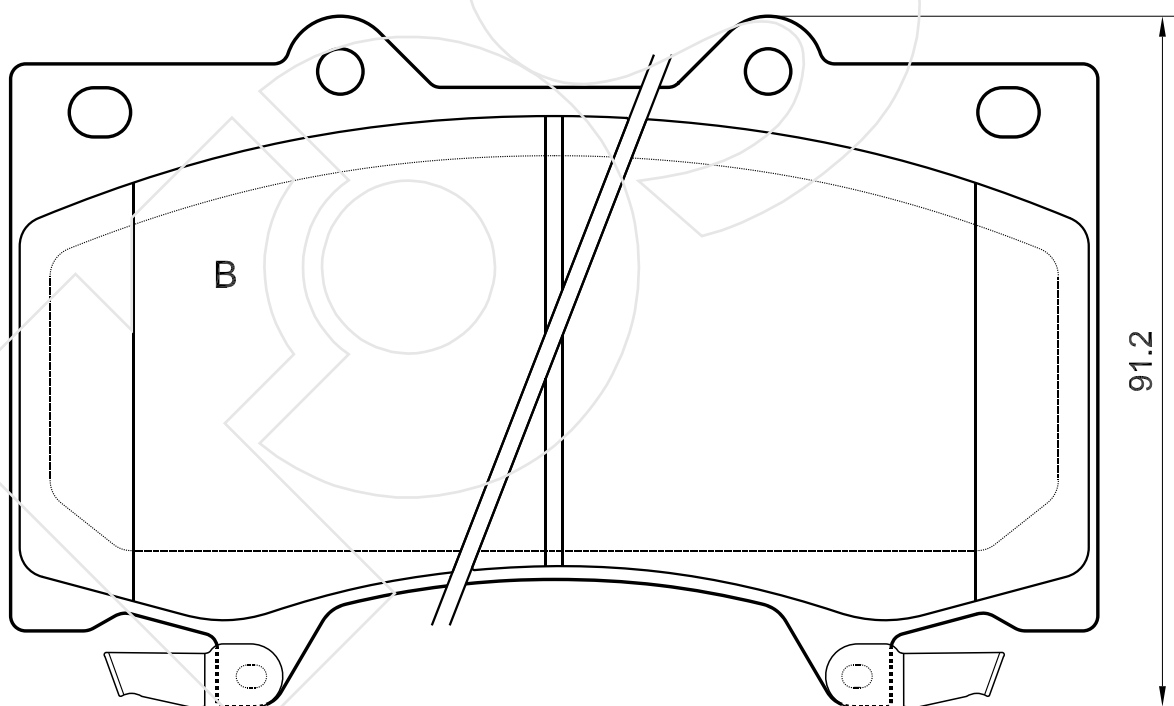
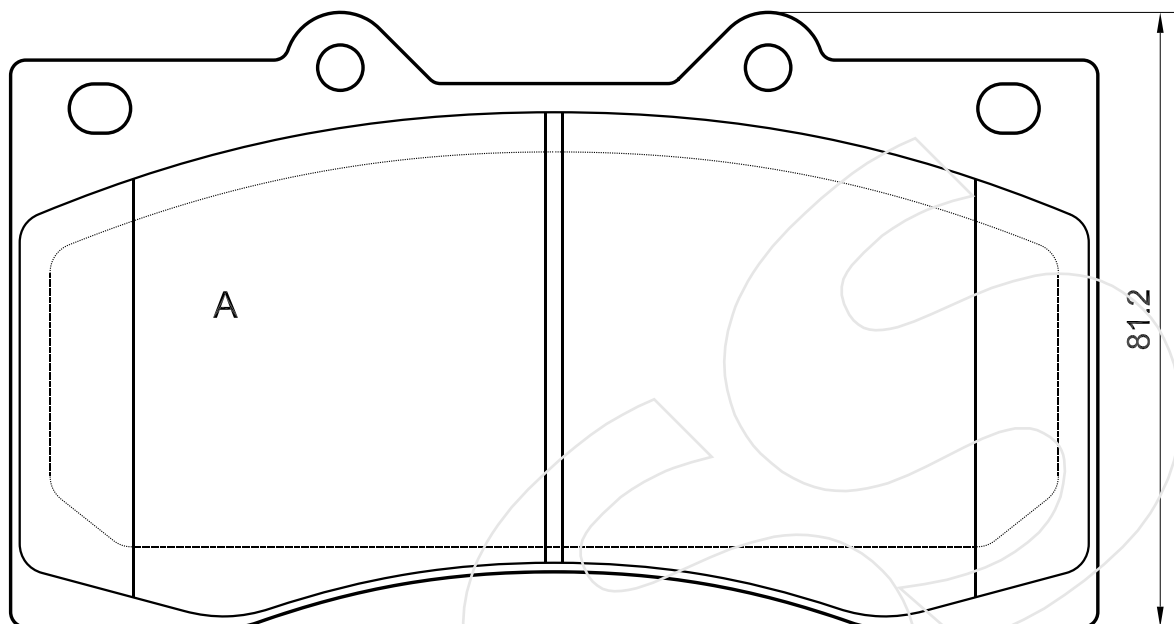
Reference in this Catalogue to other manufactures and to part numbers and other descriptions are for identification purposes only, because the above DISC BRAKE PADS are NOT ORIGINAL but with these interchangeable.

CODICE	IMPIANTO		ASSE	SCALA	APPLICAZIONI
<b>R-1580</b>	AKEBONO		POSTERIORE	1:1	ISUZU
CODICE COMPONENTI	N°	L(mm)	SERIE		
*	*	*	4 PEZZI		
*	*	*			
*	*	*			
*	*	*			
CODICE ACCESSORI	N°	L(mm)	NOTE		
*	*	*			
*	*	*			
*	*	*			
*	*	*			



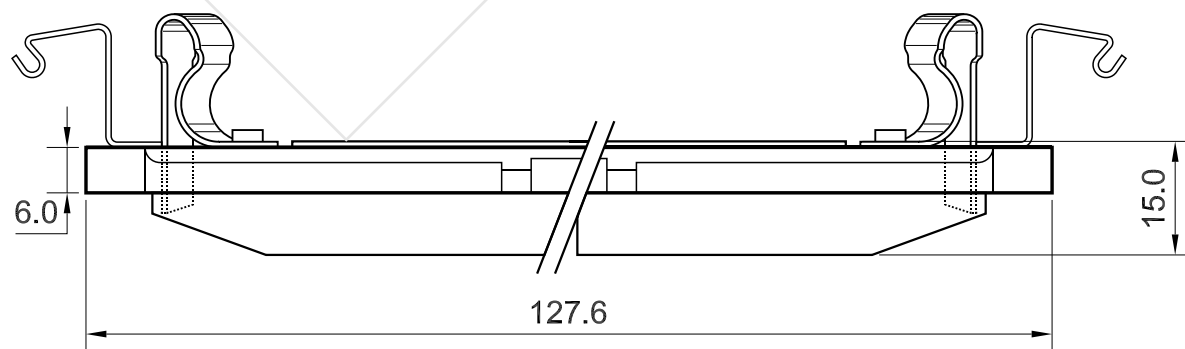
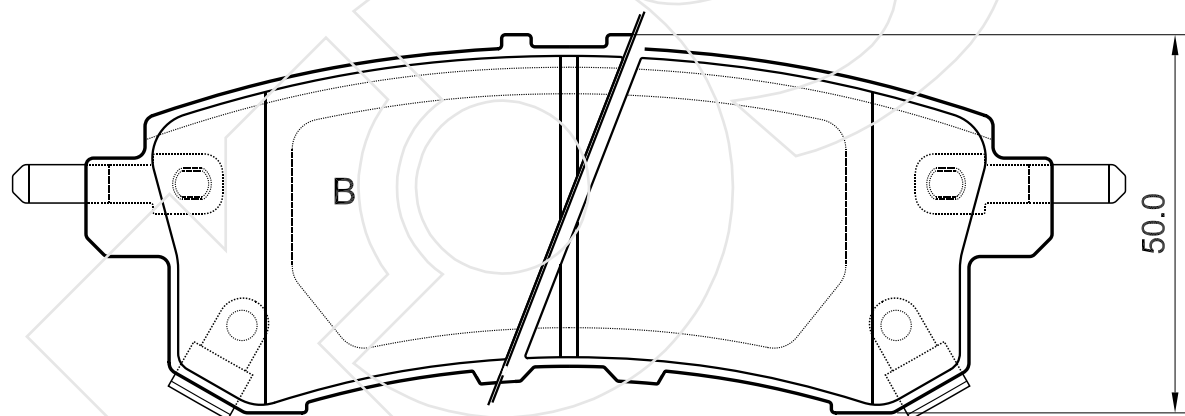
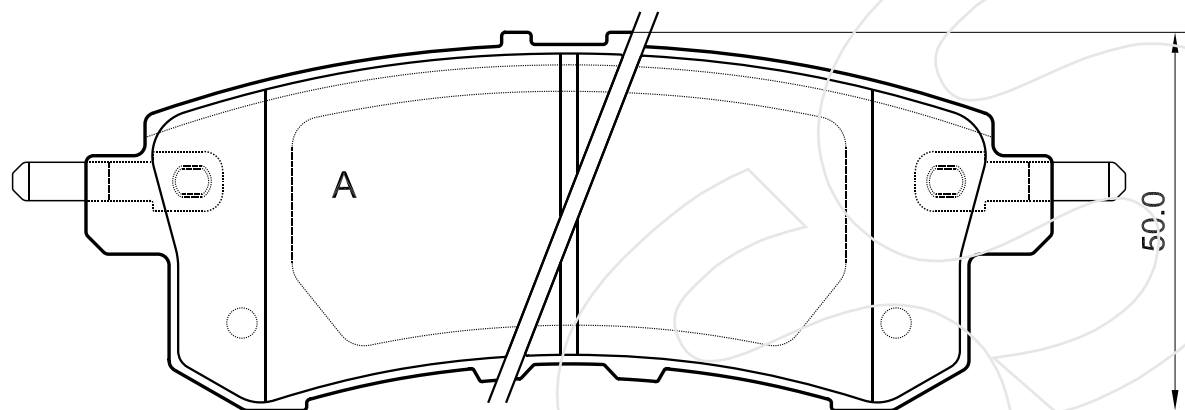
Reference in this Catalogue to other manufactures and to part numbers and other descriptions are for identification purposes only, because the above DISC BRAKE PADS are NOT ORIGINAL but with these interchangeable.

CODICE	IMPIANTO		ASSE	SCALA	APPLICAZIONI
<b>R-1581</b>	AKEBONO		ANTERIORE	100%	NISSAN
CODICE COMPONENTI	N°	L(mm)	SERIE		
A0000	2	*	2 PEZZI TIPO A		
A0000+M0000	2+2	*	2 PEZZI TIPO B		
*	*	*	*		
*	*	*	*		
CODICE ACCESSORI	N°	L(mm)	NOTE		
*	*	*			
*	*	*			
*	*	*			
*	*	*			



Reference in this Catalogue to other manufactures and to part numbers and other descriptions are for identification purposes only, because the above DISC BRAKE PADS are NOT ORIGINAL but with these interchangeable.

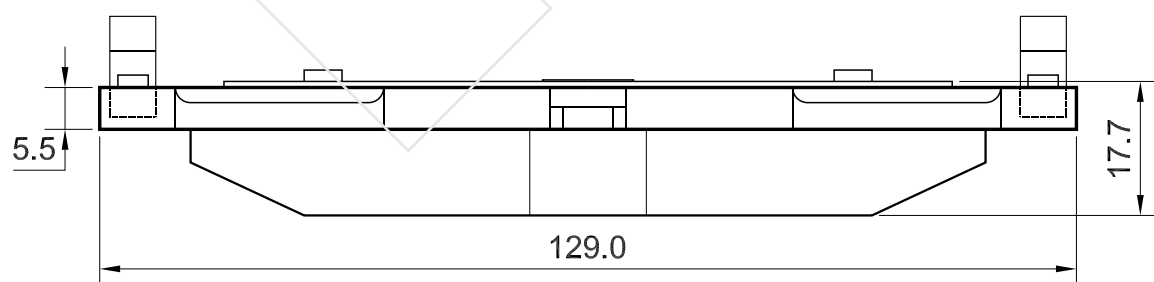
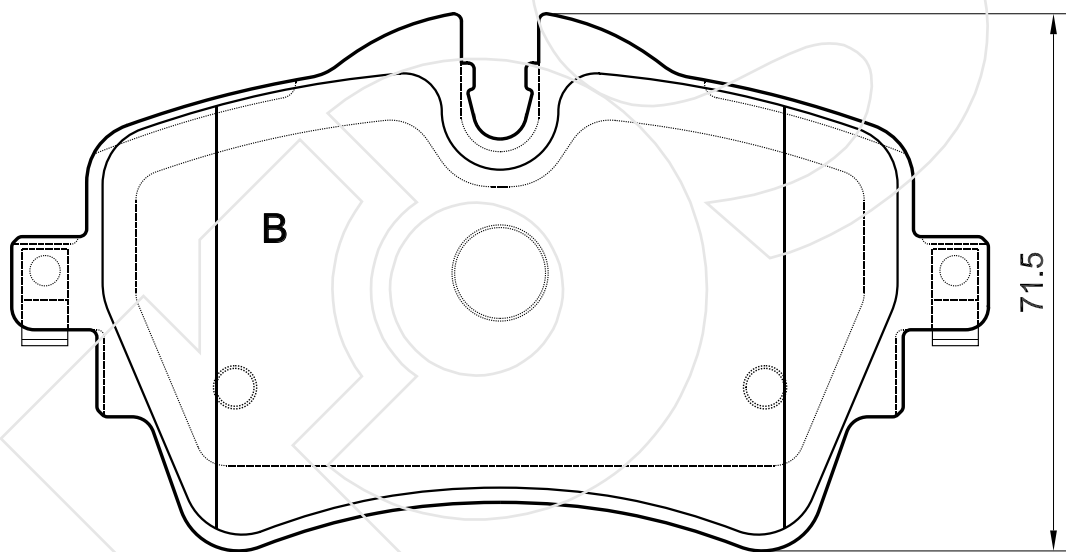
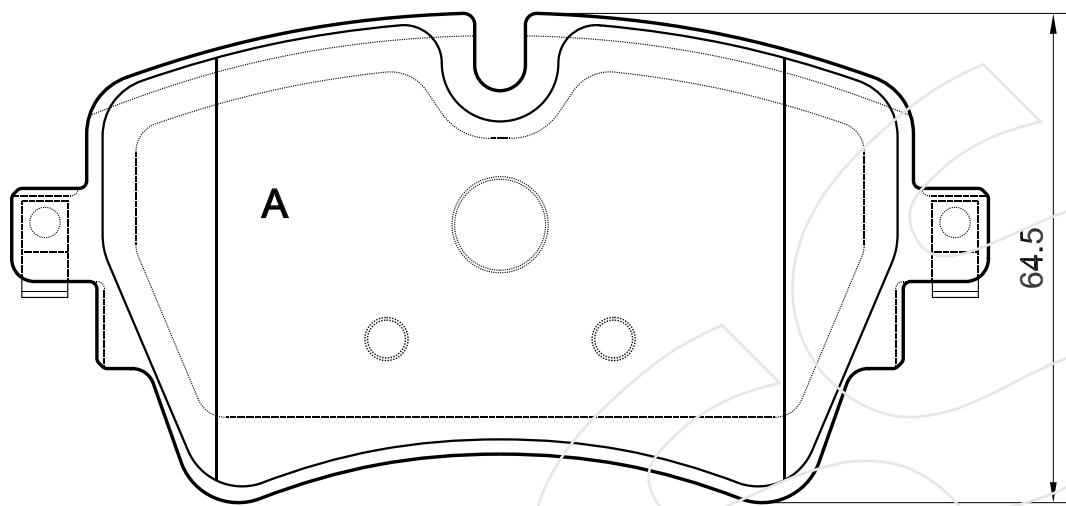
CODICE	IMPIANTO		ASSE	SCALA	APPLICAZIONI
<b>R-1582</b>	*		POSTERIORE	100%	INFINITI
CODICE COMPONENTI	N°	L(mm)	SERIE		
A0000+M0000	2+2	*	2 PEZZI TIPO A		
A0000+M0000	2+2	*	2 PEZZI TIPO B		
*	*	*	*		
*	*	*	*		
CODICE ACCESSORI	N°	L(mm)	NOTE		
*	*	*			
*	*	*			
*	*	*			
*	*	*			



Reference in this Catalogue to other manufactures and to part numbers and other descriptions are for identification purposes only, because the above DISC BRAKE PADS are NOT ORIGINAL but with these interchangeable.

CODICE	IMPIANTO		ASSE	SCALA	APPLICAZIONI
<b>R-1583</b>	TRW		ANTERIORE	100%	BMW
CODICE COMPONENTI	N°	L(mm)	SERIE		
A0000+M0000	2+4	*	2 PEZZI TIPO A		
A0000+M0000	2+4	*	2 PEZZI TIPO B		
*	*	*	*		
*	*	*	*		
CODICE ACCESSORI	N°	L(mm)	NOTE		
*	*	*			
*	*	*			
*	*	*			
*	*	*			

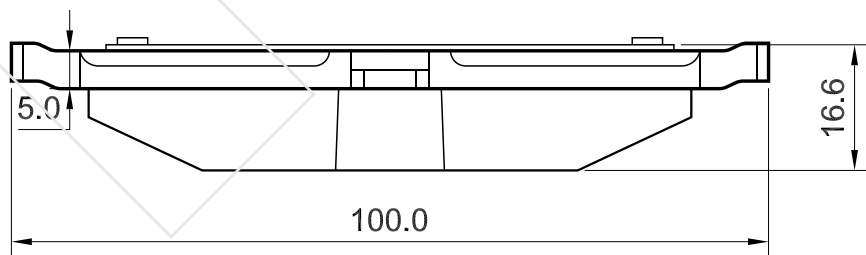
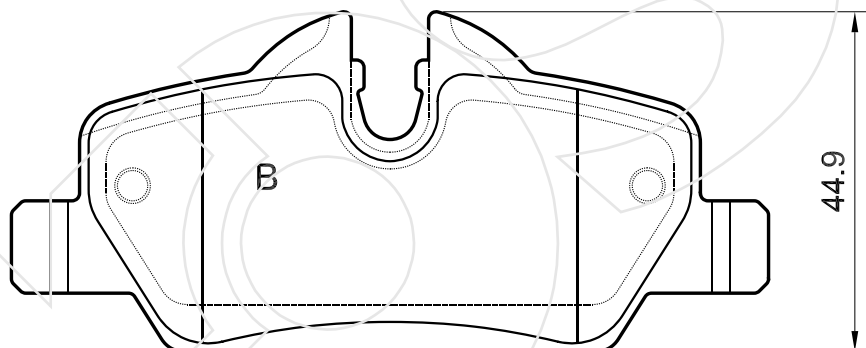
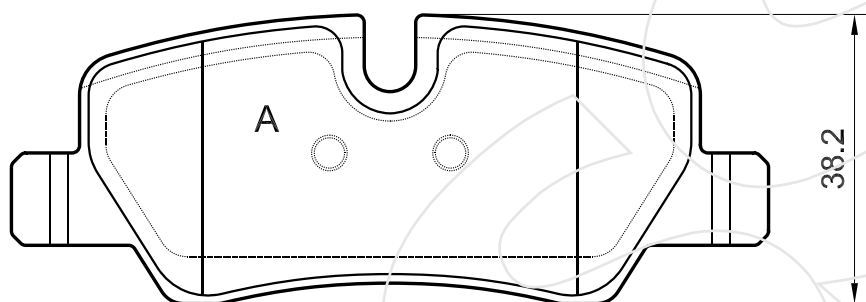
MINI(BMW)



Reference in this Catalogue to other manufactures and to part numbers and other descriptions are for identification purposes only, because the above DISC BRAKE PADS are NOT ORIGINAL but with these interchangeable.

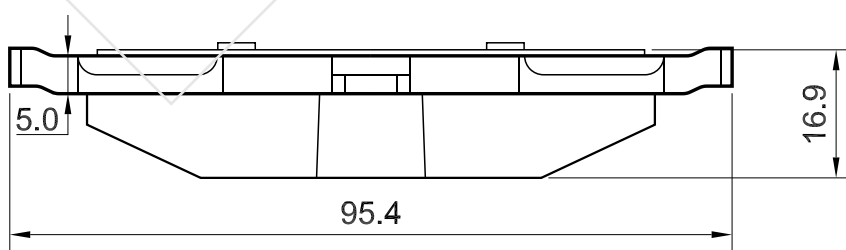
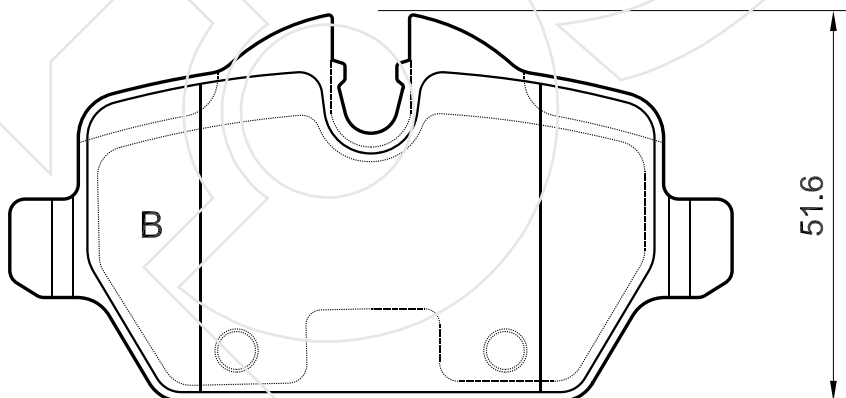
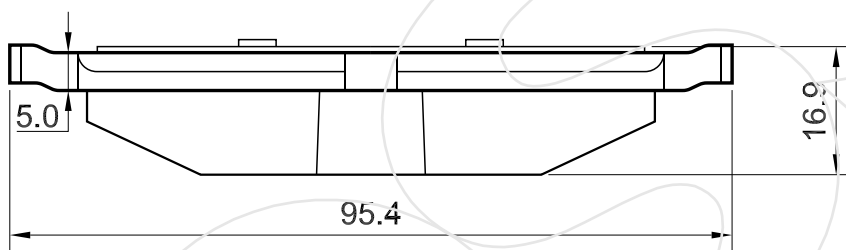
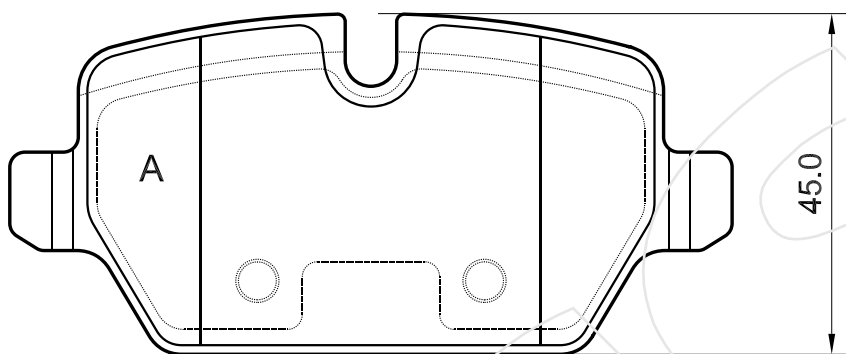


CODICE	IMPIANTO		ASSE	SCALA	APPLICAZIONI
<b>R-1584</b>	TRW		POSTERIORE	100%	MINI (BMW)
CODICE COMPONENTI	N°	L(mm)	SERIE		
A0000	2	*	2 PEZZI TIPO A		
A0000	2	*	2 PEZZI TIPO B		
*	*	*	*		
*	*	*	*		
CODICE ACCESSORI	N°	L(mm)	NOTE		
*	*	*			
*	*	*			
*	*	*			
*	*	*			



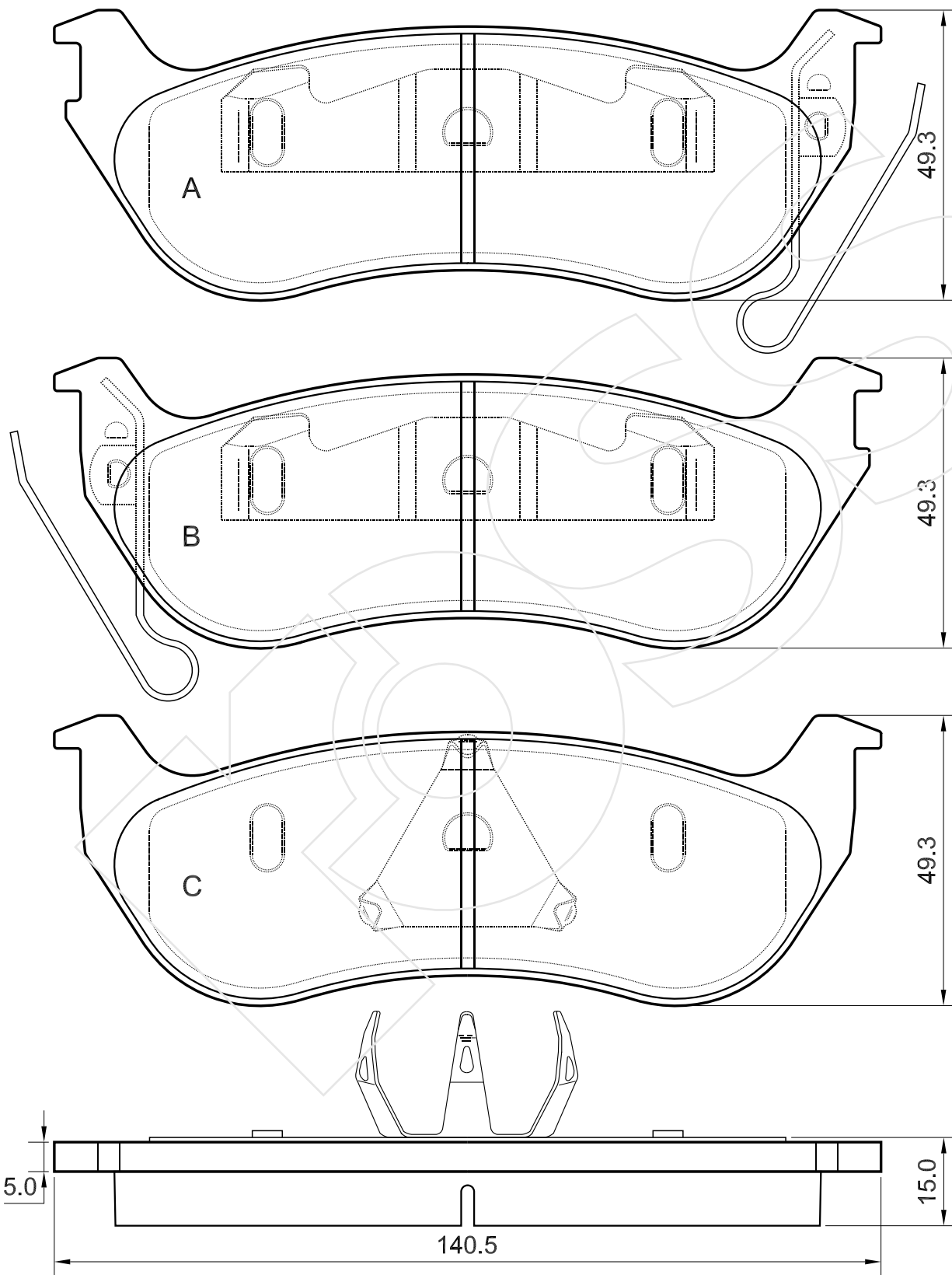
Reference in this Catalogue to other manufactures and to part numbers and other descriptions are for identification purposes only, because the above DISC BRAKE PADS are NOT ORIGINAL but with these interchangeable.

CODICE	IMPIANTO		ASSE	SCALA	APPLICAZIONI
<b>R-1585</b>	TRW		POSTERIORE	100%	MINI(BMW)
CODICE COMPONENTI	N°	L(mm)	SERIE		
A0000	2	*	2 PEZZI TIPO A		
A0000	2	*	2 PEZZI TIPO B		
*	*	*	*		
*	*	*	*		
CODICE ACCESSORI	N°	L(mm)	NOTE		
*	*	*			
*	*	*			
*	*	*			
*	*	*			



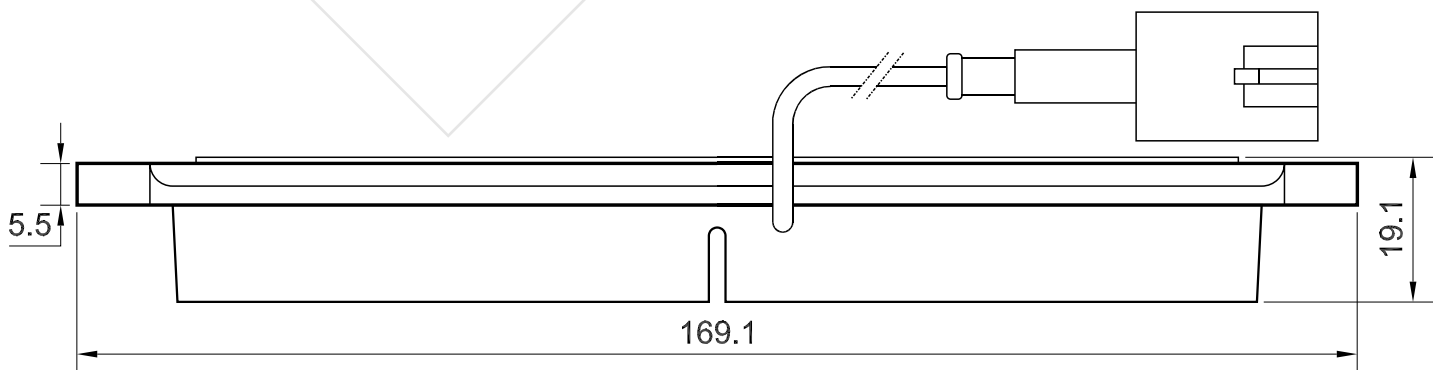
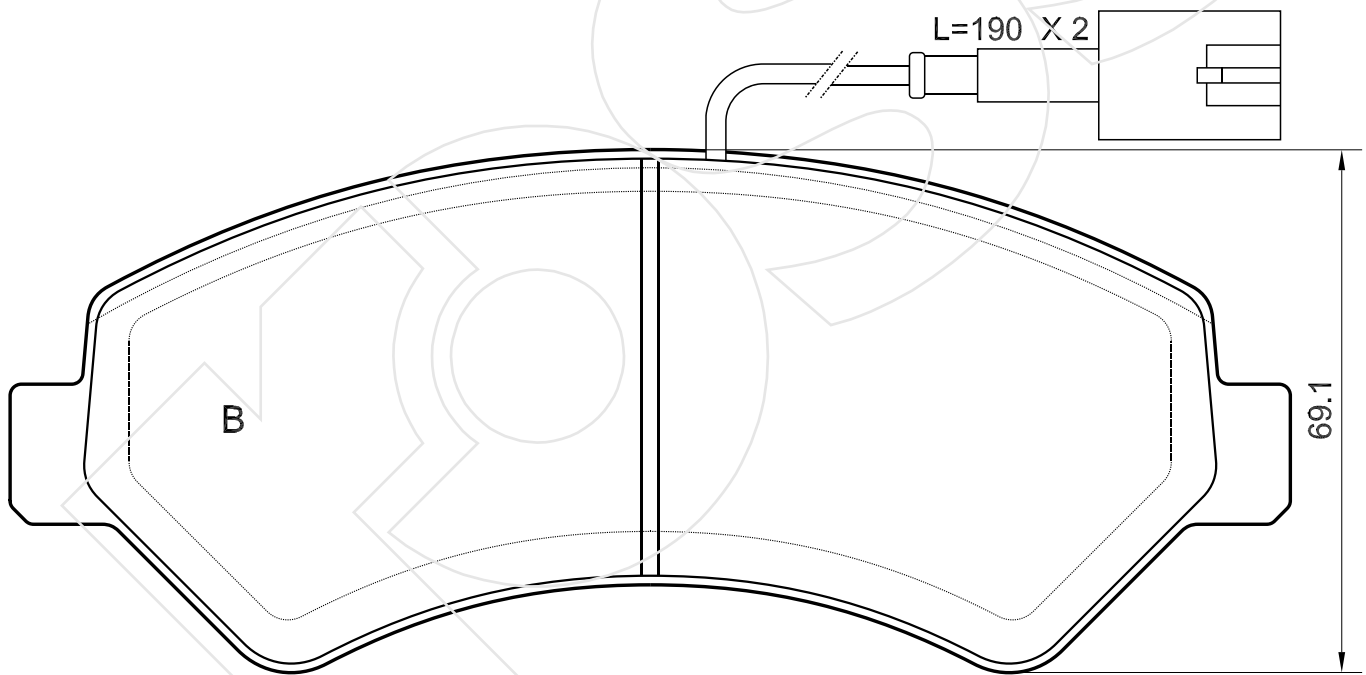
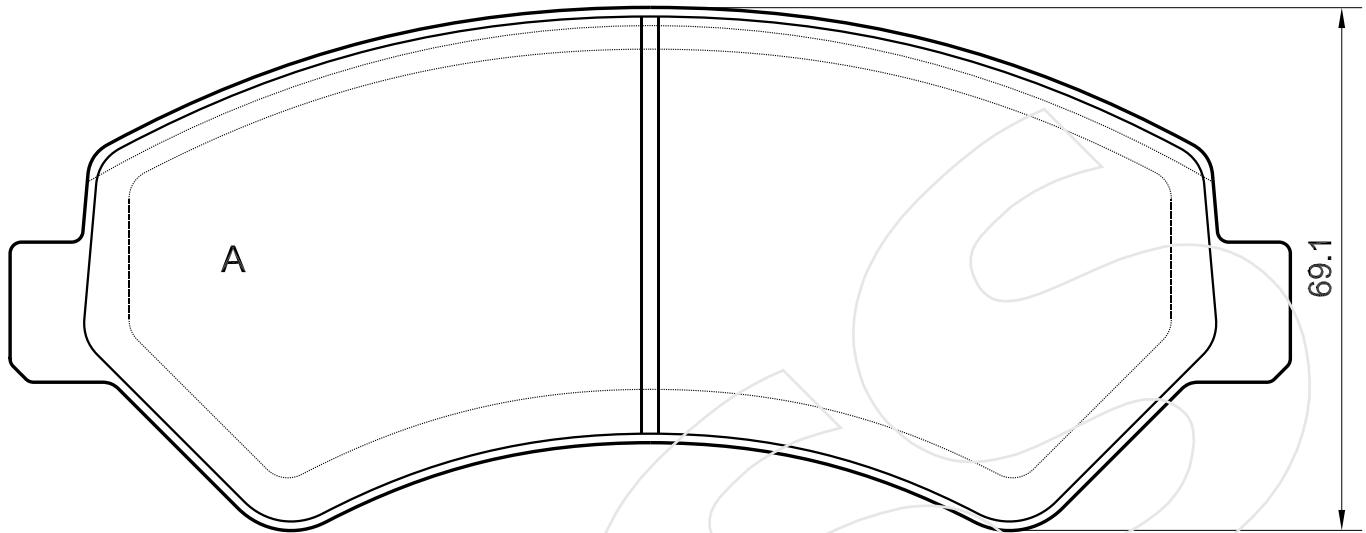
Reference in this Catalogue to other manufactures and to part numbers and other descriptions are for identification purposes only, because the above DISC BRAKE PADS are NOT ORIGINAL but with these interchangeable.

CODICE	IMPIANTO	ASSE	SCALA	APPLICAZIONI
<b>R-1586</b>	HELSEY-HAYES	POSTERIORE	100%	JEEP
CODICE COMPONENTI	N°	L(mm)	SERIE	
A0000+M0000+M0000	1+1+1	*	1 PEZZO TIPO A	
A0000+M0000+M0000	1+1+1	*	1 PEZZO TIPO B	
A0000+M0000	2+2	*	2 PEZZI TIPO C	
*	*	*	*	
CODICE ACCESSORI	N°	L(mm)	NOTE	
*	*	*		
*	*	*		
*	*	*		
*	*	*		



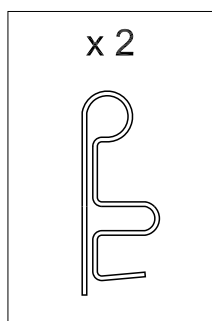
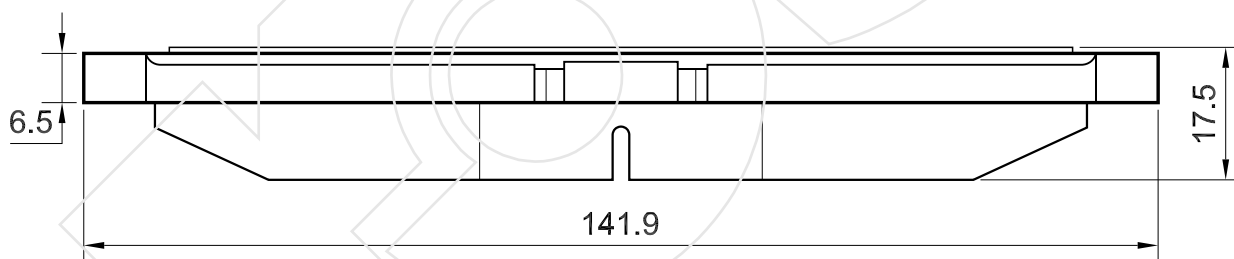
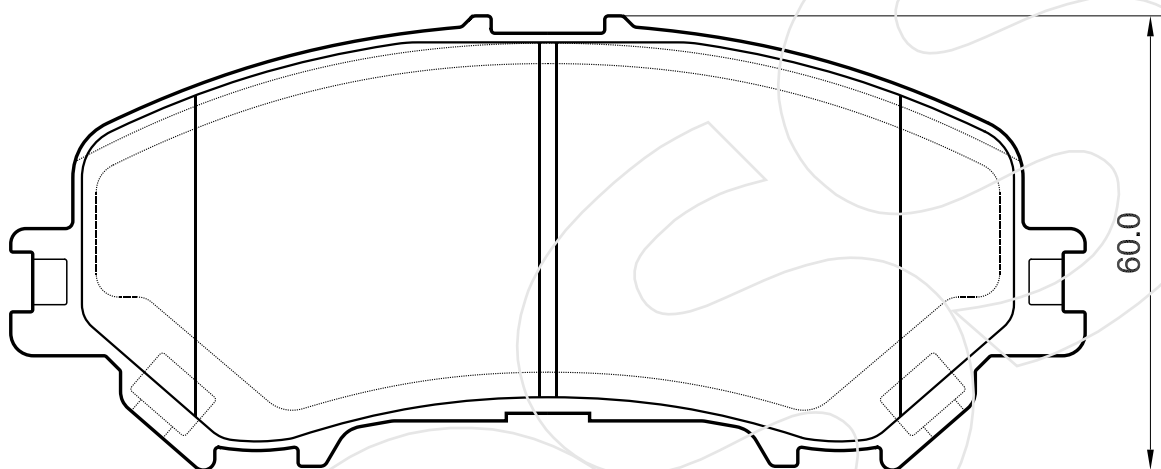
Reference in this Catalogue to other manufactures and to part numbers and other descriptions are for identification purposes only, because the above DISC BRAKE PADS are NOT ORIGINAL but with these interchangeable.

CODICE	IMPIANTO		ASSE	SCALA	APPLICAZIONI
<b>R-1587</b>	BREMBO		ANTERIORE	100%	FIAT
CODICE COMPONENTI	N°	L(mm)	SERIE		PEUGEOT
A0000	*	*	2 PEZZI TIPO A		
A0000+F3019	2+2	190	2 PEZZI TIPO B		
*	*	*	*		
*	*	*	*		
CODICE ACCESSORI	N°	L(mm)	NOTE		
*	*	*			
*	*	*			
*	*	*			
*	*	*			



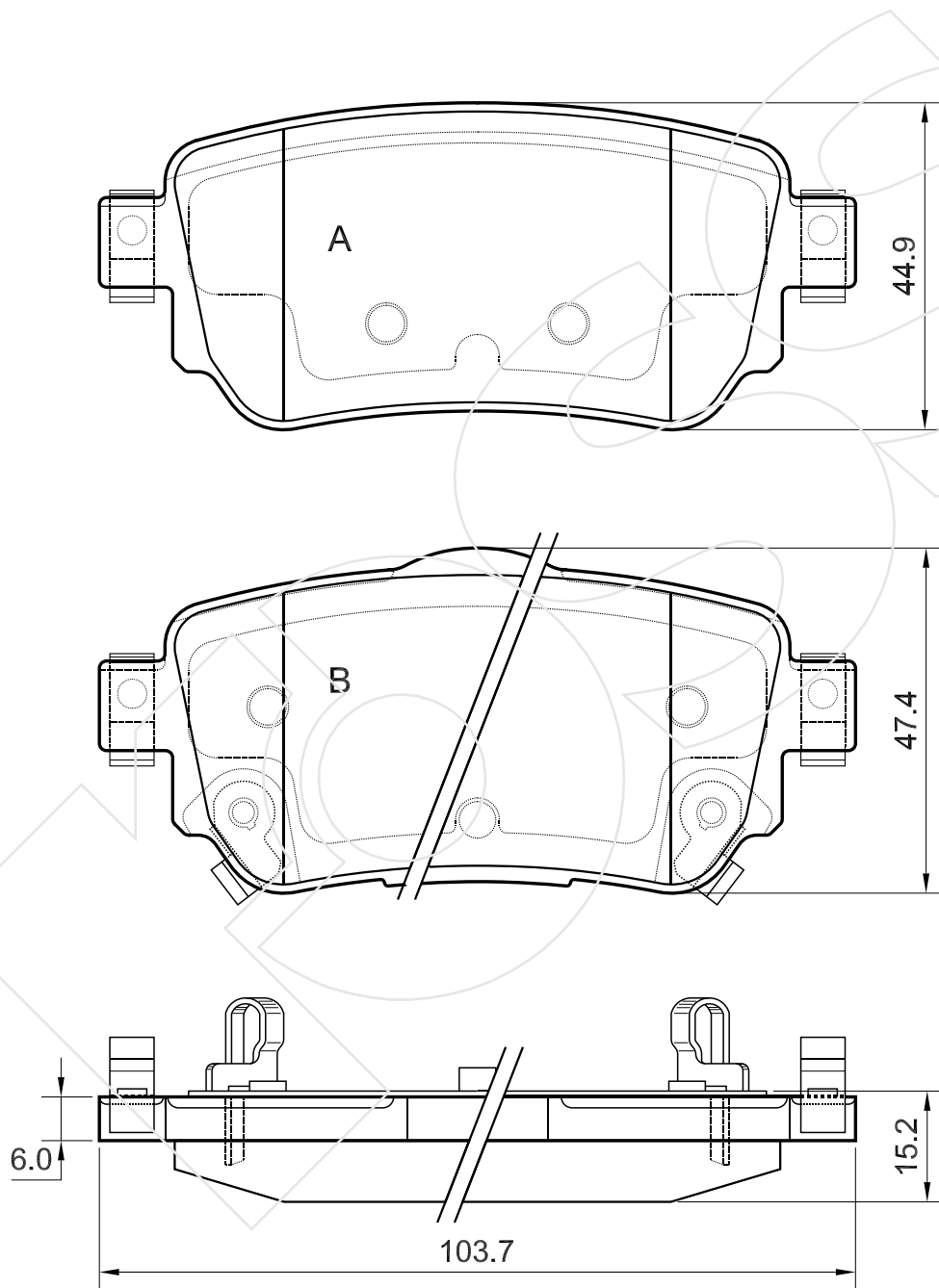
Reference in this Catalogue to other manufactures and to part numbers and other descriptions are for identification purposes only, because the above DISC BRAKE PADS are NOT ORIGINAL but with these interchangeable.

CODICE	IMPIANTO		ASSE	SCALA	APPLICAZIONI
<b>R-1588</b>	AKEBONO		ANTERIORE	100%	NISSAN
CODICE COMPONENTI	N°	L(mm)	SERIE		
A0000+M0000	4+2	*	4 PEZZI		
*	*	*	*		
*	*	*	*		
CODICE ACCESSORI	N°	L(mm)	NOTE		
*	*	*			
*	*	*			
*	*	*			
*	*	*			



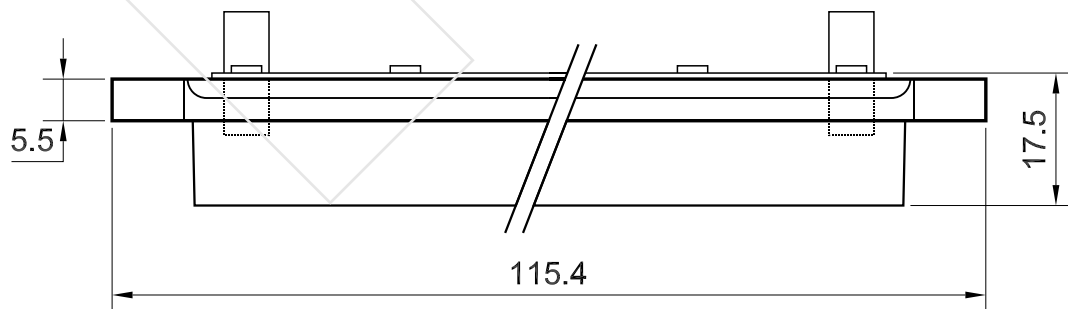
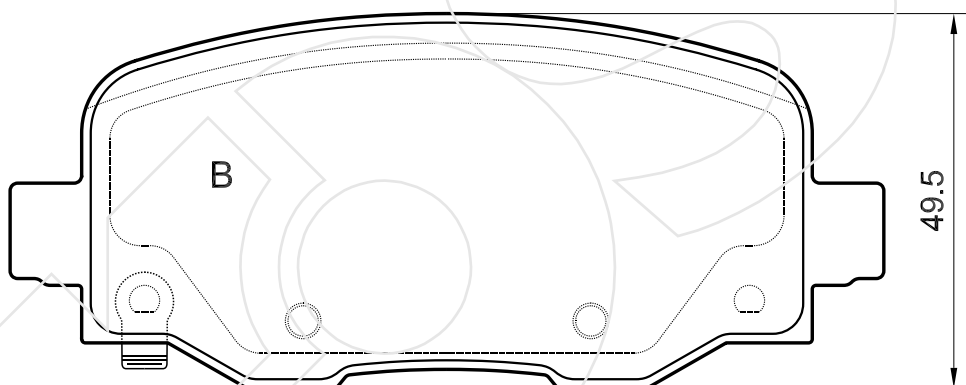
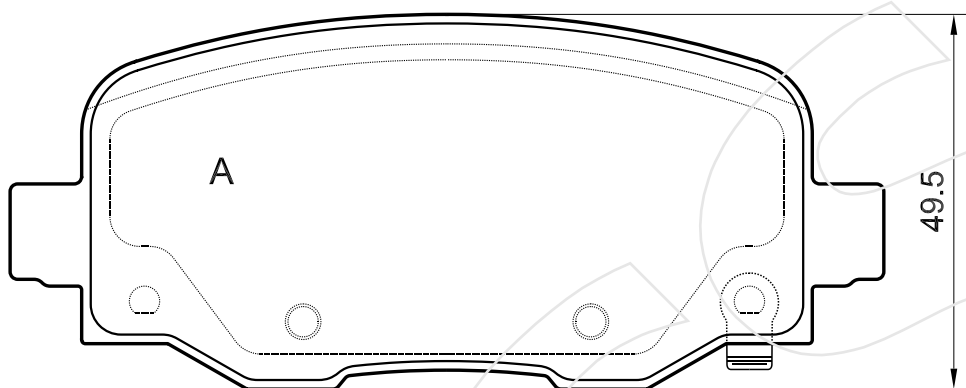
Reference in this Catalogue to other manufactures and to part numbers and other descriptions are for identification purposes only, because the above DISC BRAKE PADS are NOT ORIGINAL but with these interchangeable.

CODICE	IMPIANTO		ASSE	SCALA	APPLICAZIONI
<b>R-1589</b>	TRW		POSTERIORE	100%	NISSAN  RENAULT
CODICE COMPONENTI	N°	L(mm)	SERIE		
A0000+M0000	2+4	*	2 PEZZI TIPO A		
A0000+M0000+M0000	2+4+2	*	2 PEZZI TIPO B		
*	*	*	*		
*	*	*	*		
CODICE ACCESSORI	N°	L(mm)	NOTE		
*	*	*			
*	*	*			
*	*	*			
*	*	*			



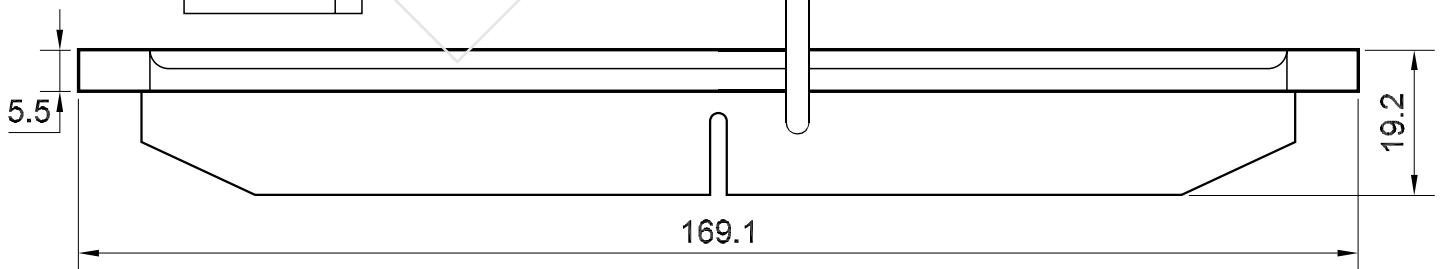
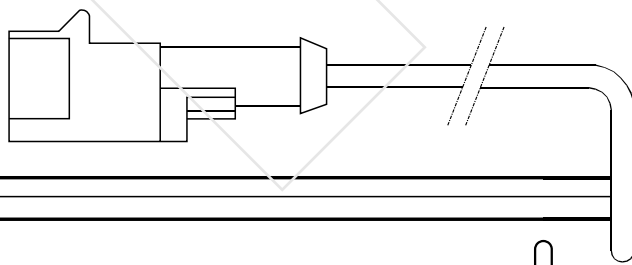
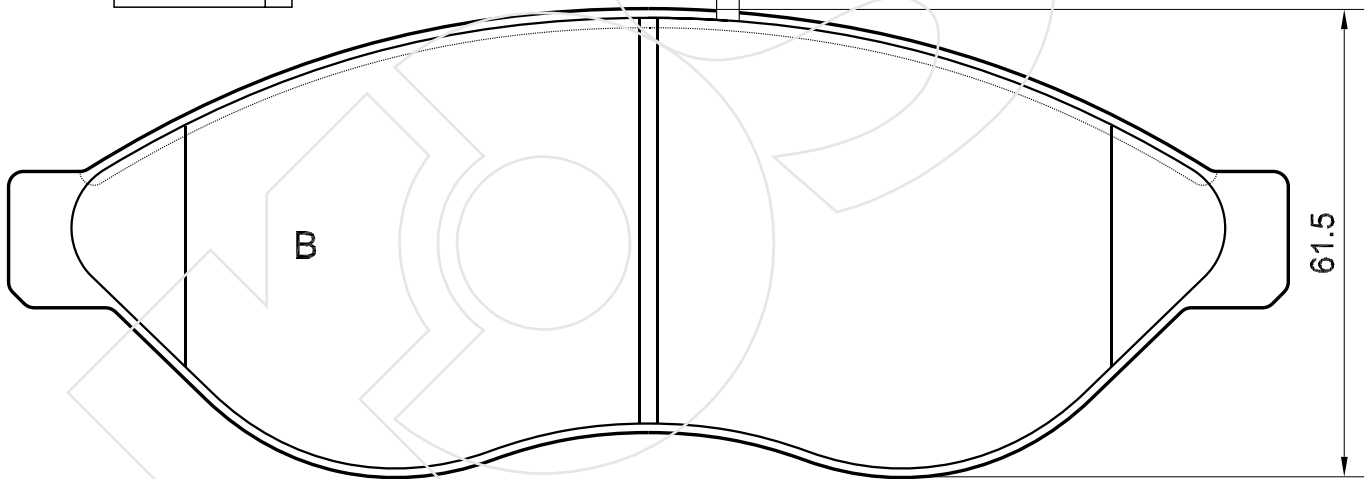
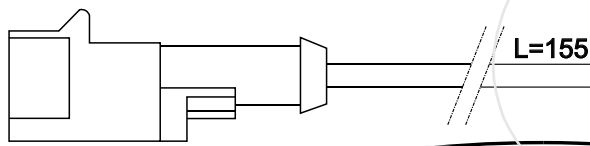
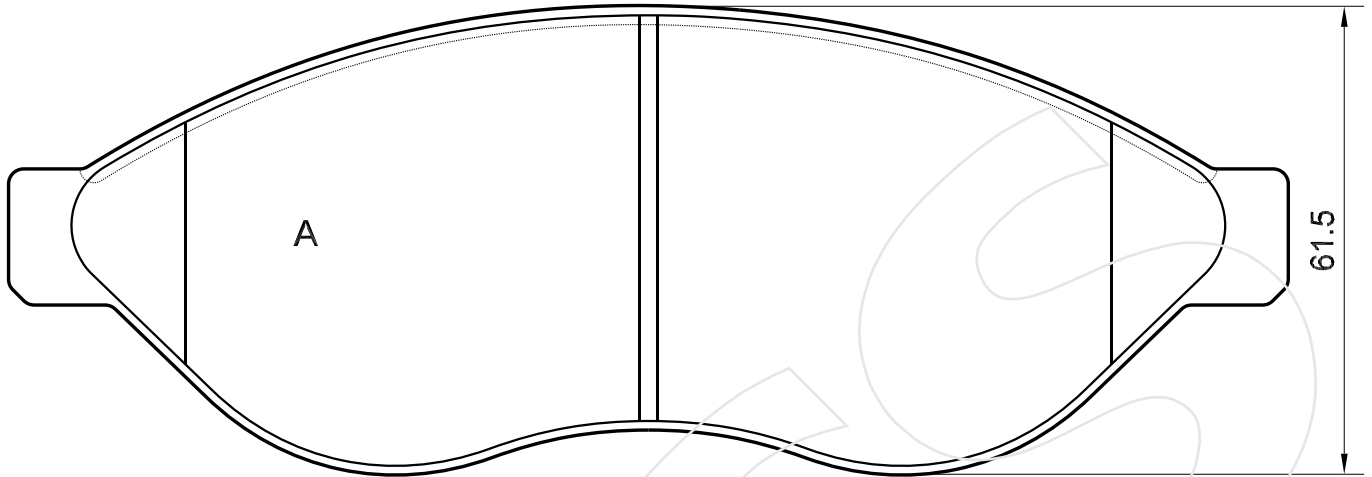
Reference in this Catalogue to other manufactures and to part numbers and other descriptions are for identification purposes only, because the above DISC BRAKE PADS are NOT ORIGINAL but with these interchangeable.

CODICE	IMPIANTO		ASSE	SCALA	APPLICAZIONI
<b>R-1590</b>	TRW		POSTERIORE	100%	FIAT
CODICE COMPONENTI	N°	L(mm)	SERIE		
A0000+M0000	2+2	*	2 PEZZI TIPO A		
A0000+M0000	2+2	*	2 PEZZI TIPO B		
*	*	*	*		
*	*	*	*		
CODICE ACCESSORI	N°	L(mm)	NOTE		
*	*	*			
*	*	*			
*	*	*			
*	*	*			



Reference in this Catalogue to other manufactures and to part numbers and other descriptions are for identification purposes only, because the above DISC BRAKE PADS are NOT ORIGINAL but with these interchangeable.

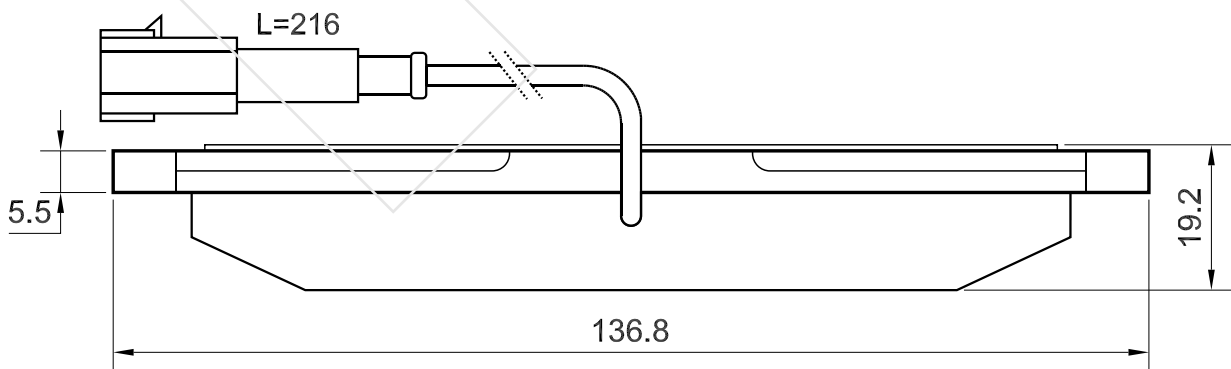
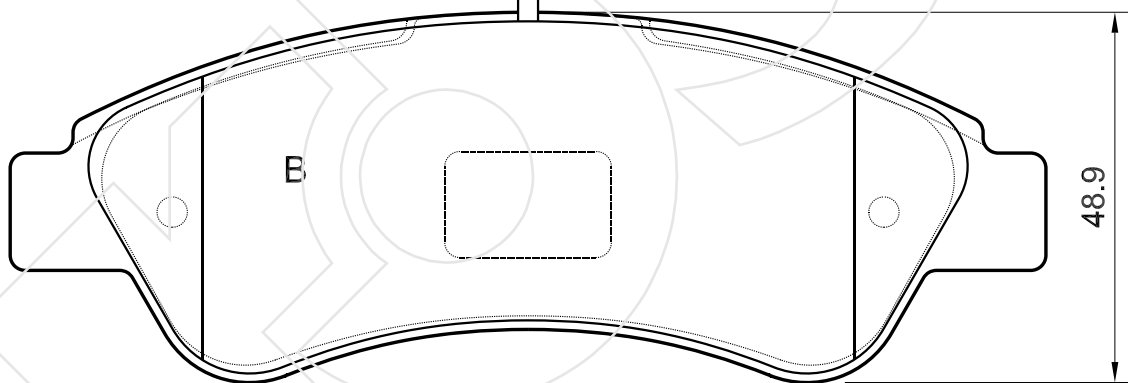
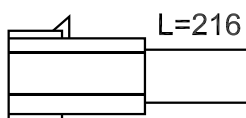
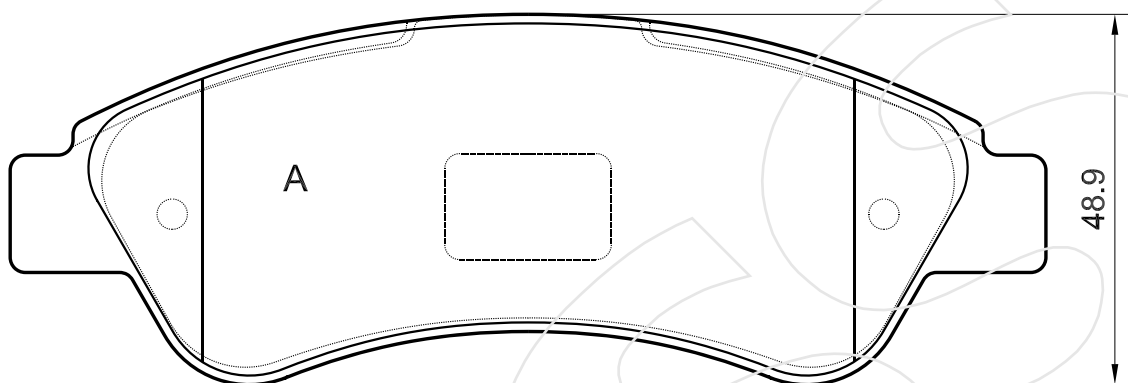
CODICE	IMPIANTO		ASSE	SCALA	APPLICAZIONI
<b>R-1591</b>	BREMBO		ANTERIORE	1:1	CITROEN
CODICE COMPONENTI	N°	L(mm)	SERIE		FIAT
*	*	*	2 PEZZI TIPO A		
F3019	2	155	2 PEZZI TIPO B		
*	*	*	*		PEUGEOT
*	*	*	*		
CODICE ACCESSORI	N°	L(mm)	NOTE		
*	*	*			
*	*	*			
*	*	*			
*	*	*			



Reference in this Catalogue to other manufactures and to part numbers and other descriptions are for identification purposes only, because the above DISC BRAKE PADS are NOT ORIGINAL but with these interchangeable.

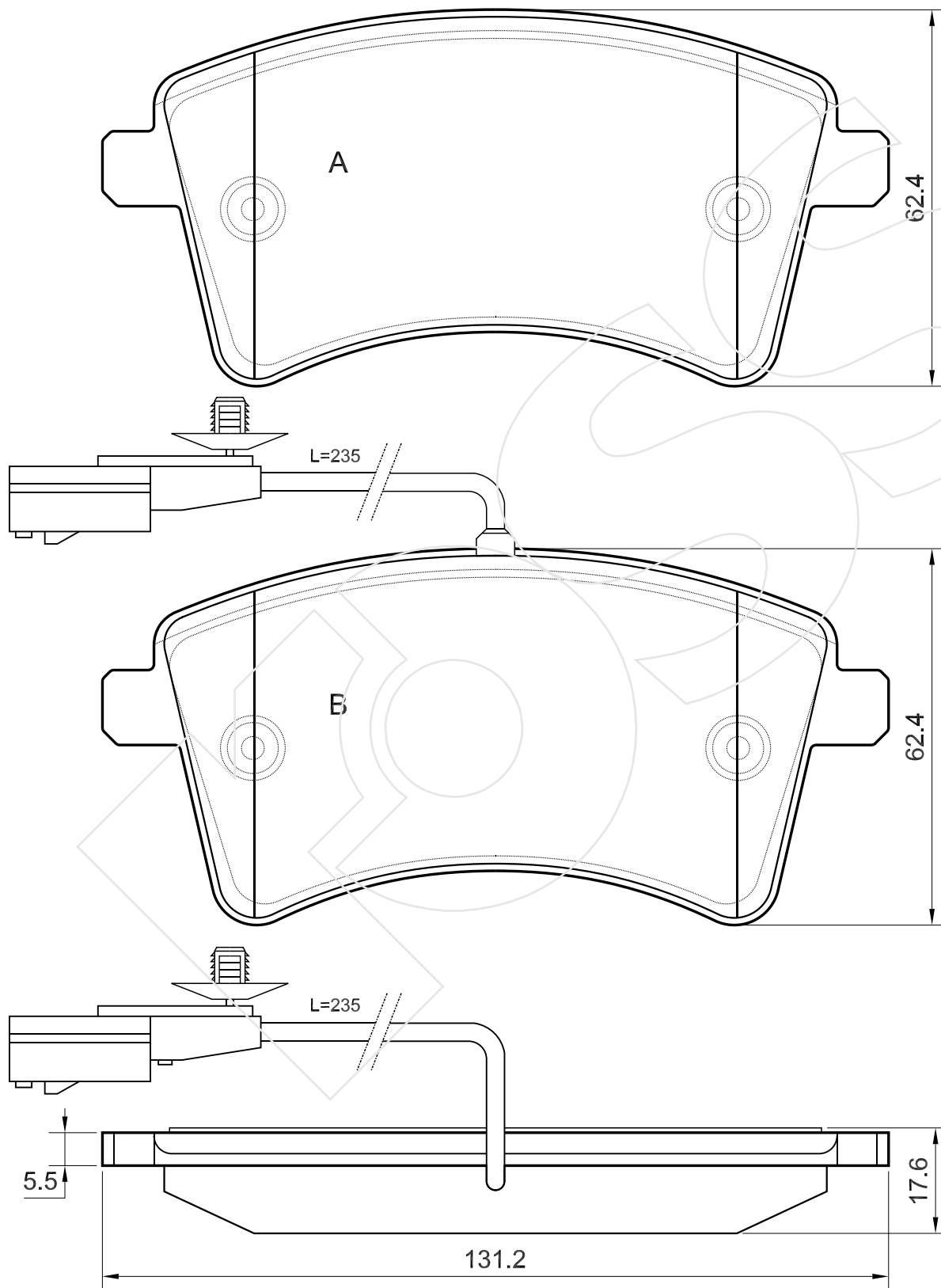


CODICE	IMPIANTO		ASSE	SCALA	APPLICAZIONI
<b>R-1592</b>	BOSCH		POSTERIORE	100%	FIAT
CODICE COMPONENTI	N°	L(mm)	SERIE		
A0000	2	*	2 PEZZI TIPO A		
A0000+F0000	2+2	215	2 PEZZI TIPO B		
*	*	*	*		
*	*	*	*		
CODICE ACCESSORI	N°	L(mm)	NOTE		
*	*	*			
*	*	*			
*	*	*			
*	*	*			



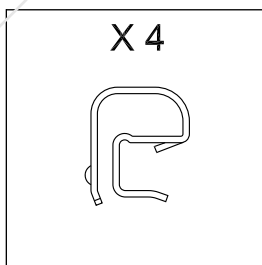
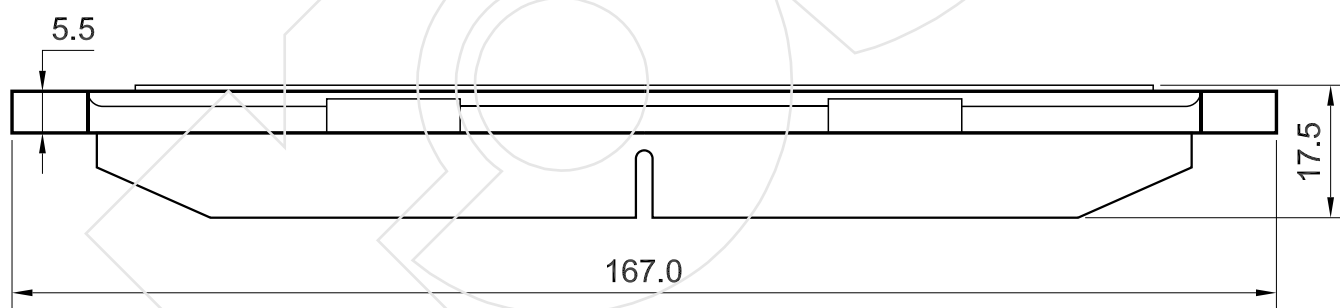
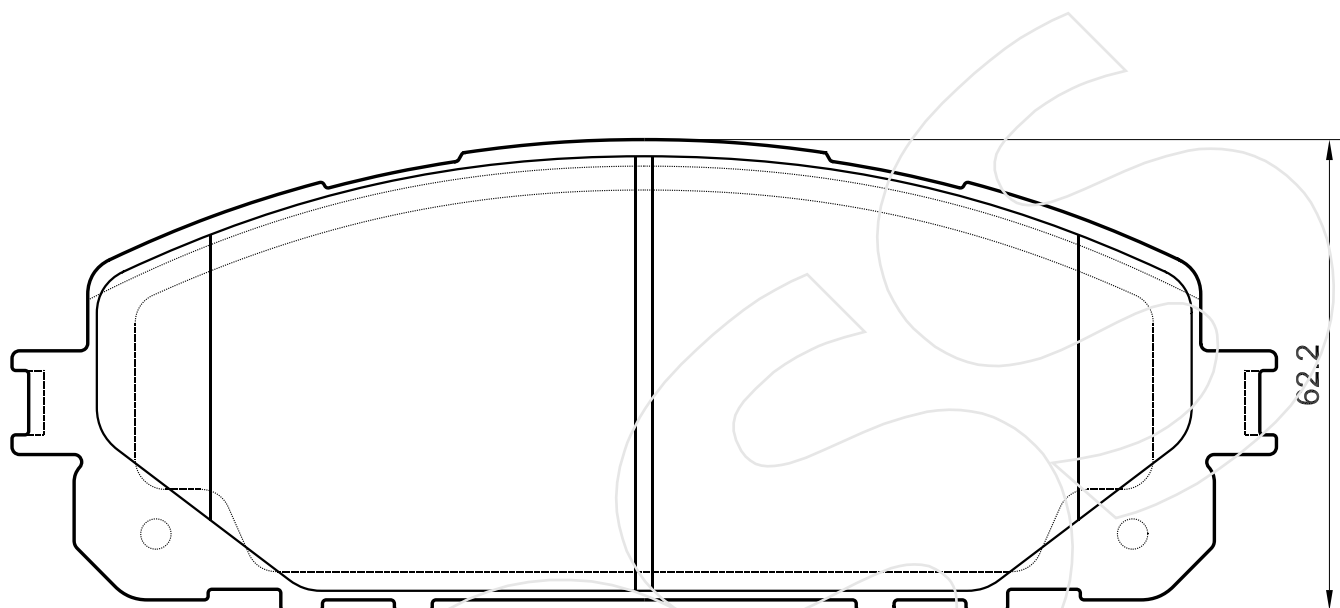
Reference in this Catalogue to other manufactures and to part numbers and other descriptions are for identification purposes only, because the above DISC BRAKE PADS are NOT ORIGINAL but with these interchangeable.

CODICE	IMPIANTO		ASSE	SCALA	APPLICAZIONI
<b>R-1593</b>	TRW		ANTERIORE	100%	RENAULT
CODICE COMPONENTI	N°	L(mm)	SERIE		
A0000	3	*	3 PEZZI TIPO A		
A0000+F3181	1+1	235	1 PEZZO TIPO B		
*	*	*	*		
*	*	*	*		
CODICE ACCESSORI	N°	L(mm)	NOTE		
*	*	*			
*	*	*			
*	*	*			
*	*	*			



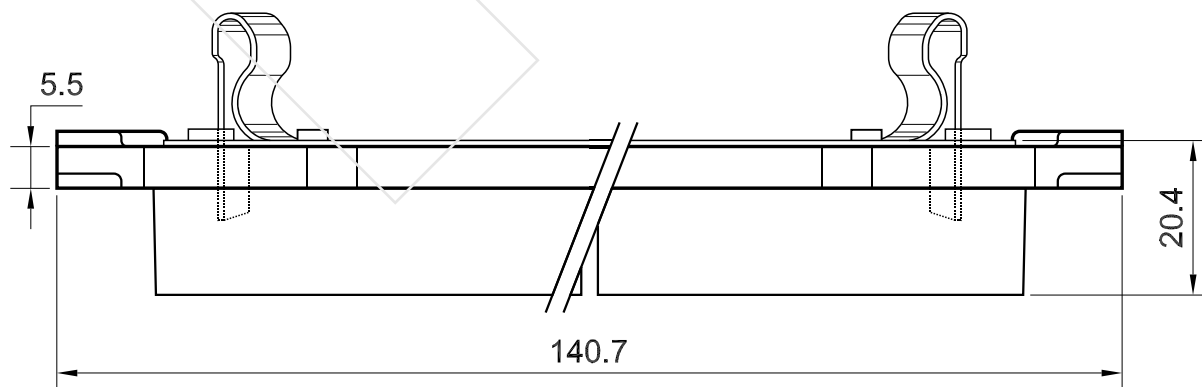
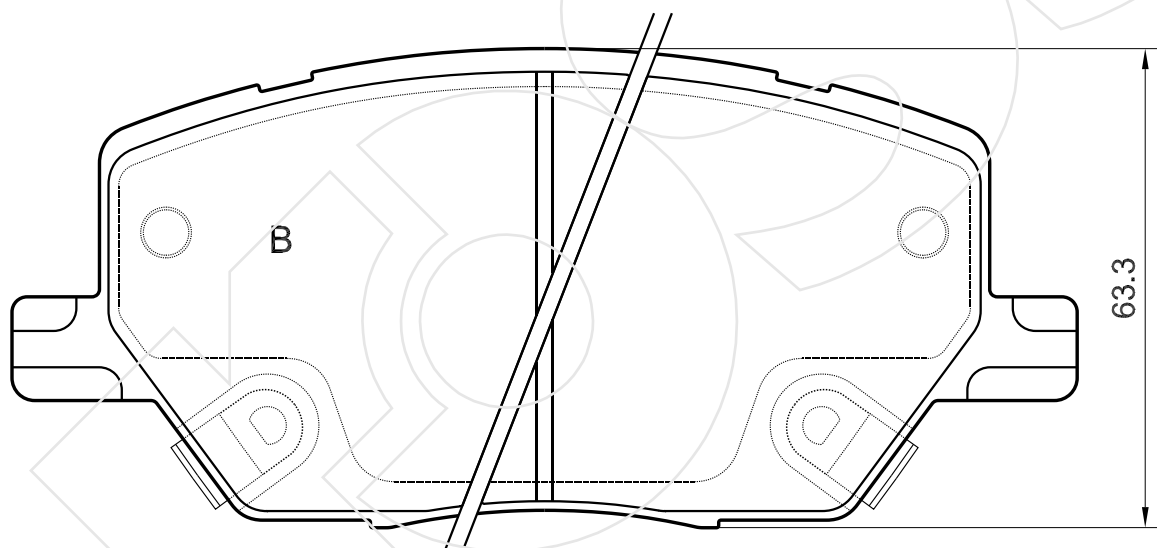
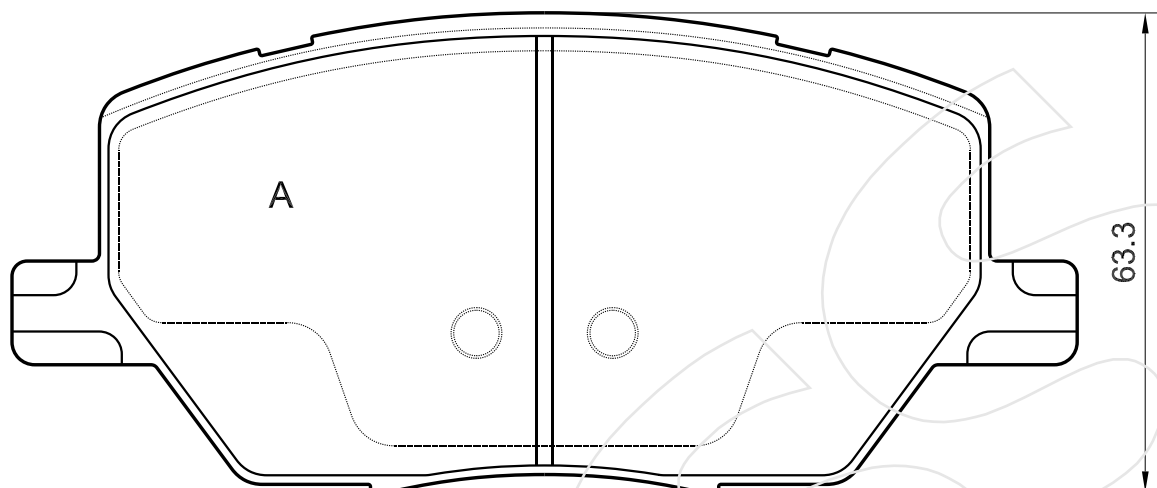
Reference in this Catalogue to other manufactures and to part numbers and other descriptions are for identification purposes only, because the above DISC BRAKE PADS are NOT ORIGINAL but with these interchangeable.

CODICE	IMPIANTO		ASSE	SCALA	APPLICAZIONI
<b>R-1594</b>	ADVICS		ANTERIORE	100%	JEEP
CODICE COMPONENTI	N°	L(mm)	SERIE		
A0000+M0000	4+4	*	4 PEZZI		
*	*	*	*		
*	*	*	*		
*	*	*	*		
CODICE ACCESSORI	N°	L(mm)	NOTE		
*	*	*			
*	*	*			
*	*	*			
*	*	*			



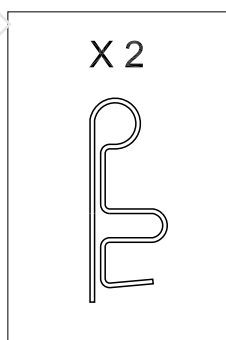
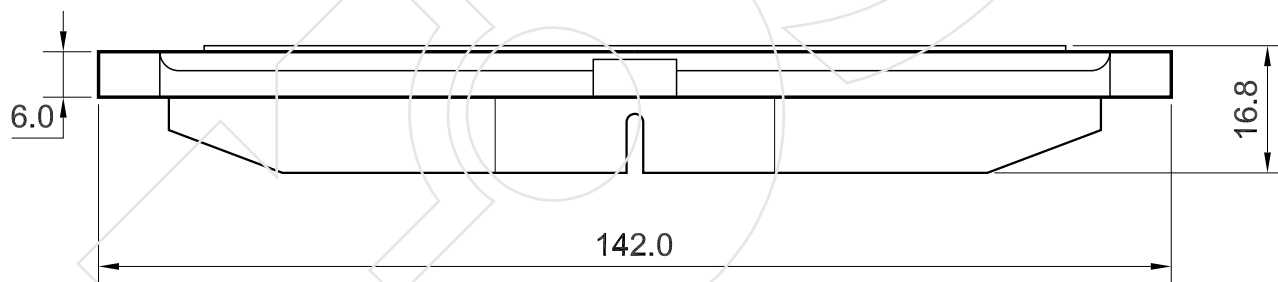
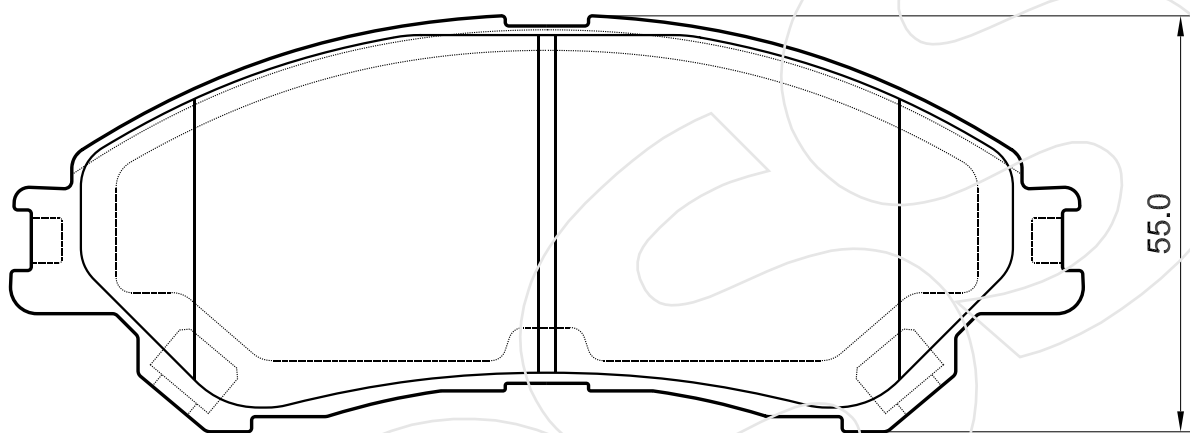
Reference in this Catalogue to other manufactures and to part numbers and other descriptions are for identification purposes only, because the above DISC BRAKE PADS are NOT ORIGINAL but with these interchangeable.

CODICE	IMPIANTO		ASSE	SCALA	APPLICAZIONI
<b>R-1595</b>	TRW		ANTERIORE	100%	JEEP
CODICE COMPONENTI	N°	L(mm)	SERIE		
A0000	2	*	2 PEZZI TIPO A		
A0000+M0000	2+2	*	2 PEZZI TIPO B		
*	*	*	*		
*	*	*	*		
CODICE ACCESSORI	N°	L(mm)	NOTE		
*	*	*			
*	*	*			
*	*	*			
*	*	*			



Reference in this Catalogue to other manufactures and to part numbers and other descriptions are for identification purposes only, because the above DISC BRAKE PADS are NOT ORIGINAL but with these interchangeable.

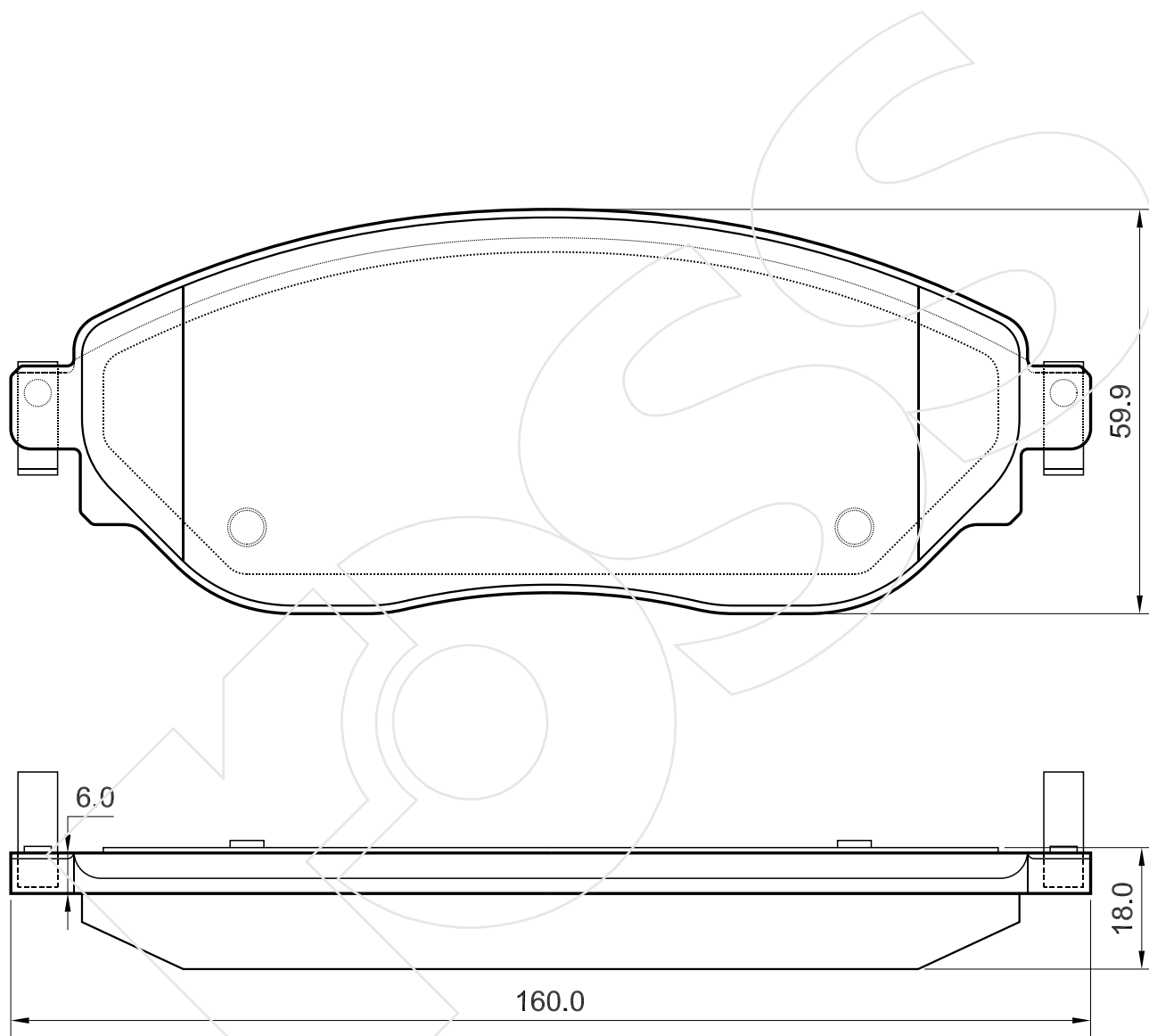
CODICE	IMPIANTO		ASSE	SCALA	APPLICAZIONI
<b>R-1596</b>	AKEBONO		ANTERIORE	100%	SUZUKI
CODICE COMPONENTI	N°	L(mm)	SERIE		
A0000+M0000	4+2	*	4 PEZZI		
*	*	*	*		
*	*	*	*		
*	*	*	*		
CODICE ACCESSORI	N°	L(mm)	NOTE		
*	*	*			
*	*	*			
*	*	*			
*	*	*			



Reference in this Catalogue to other manufactures and to part numbers and other descriptions are for identification purposes only, because the above DISC BRAKE PADS are NOT ORIGINAL but with these interchangeable.

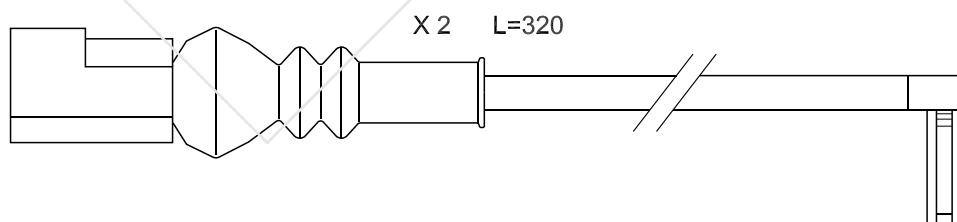
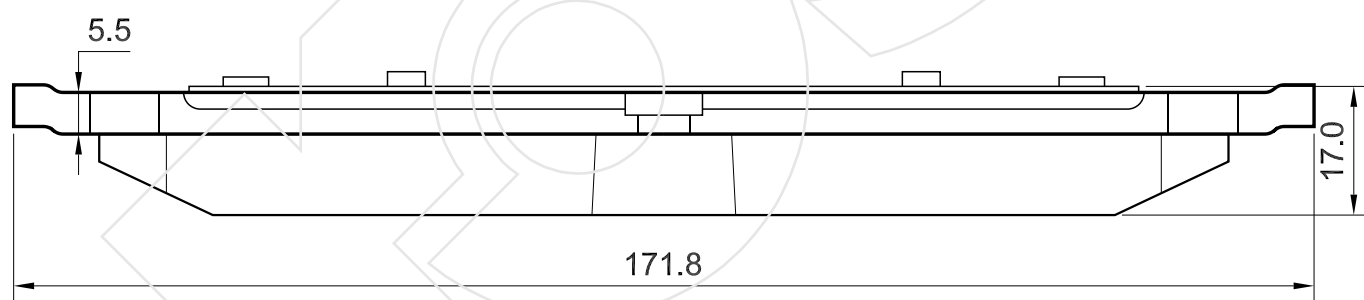
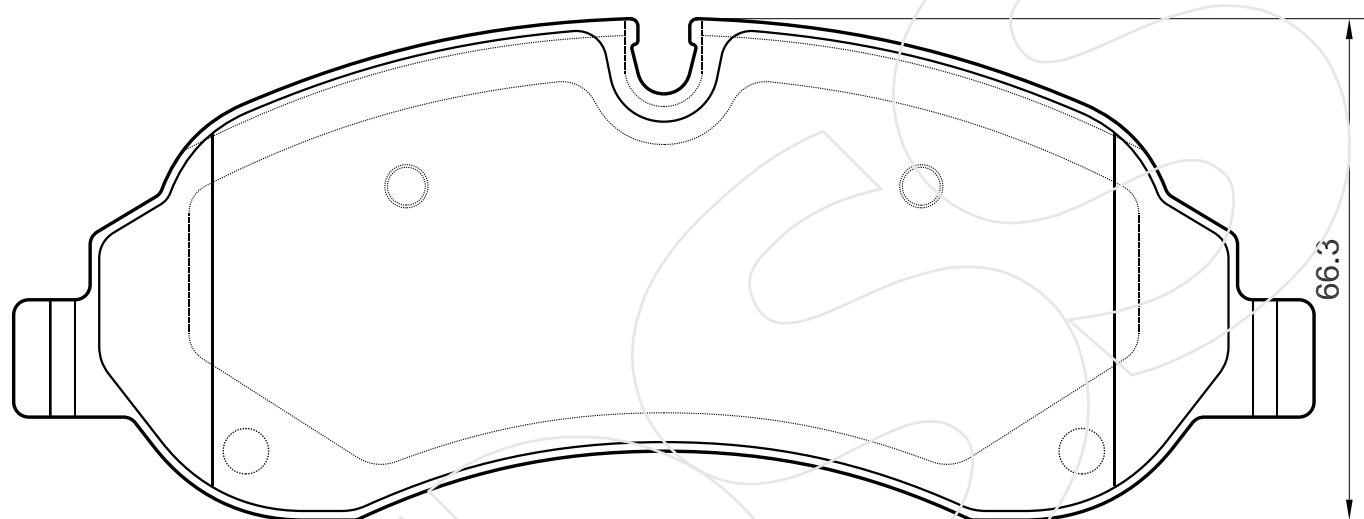
CODICE	IMPIANTO		ASSE	SCALA	APPLICAZIONI
<b>R-1597</b>	TRW		ANTERIORE	100%	OPEL
CODICE COMPONENTI	N°	L(mm)	SERIE		
A0000+M0000	4+8	*	*		
*	*	*	*		
*	*	*	*		
*	*	*	*		
CODICE ACCESSORI	N°	L(mm)	NOTE		
*	*	*			
*	*	*			
*	*	*			
*	*	*			

RENAULT



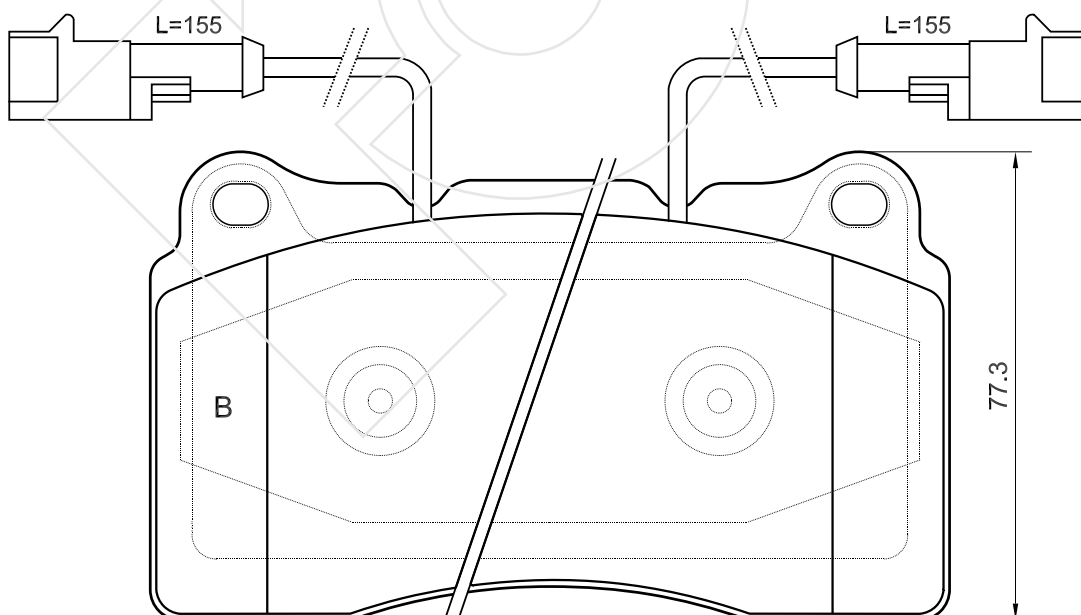
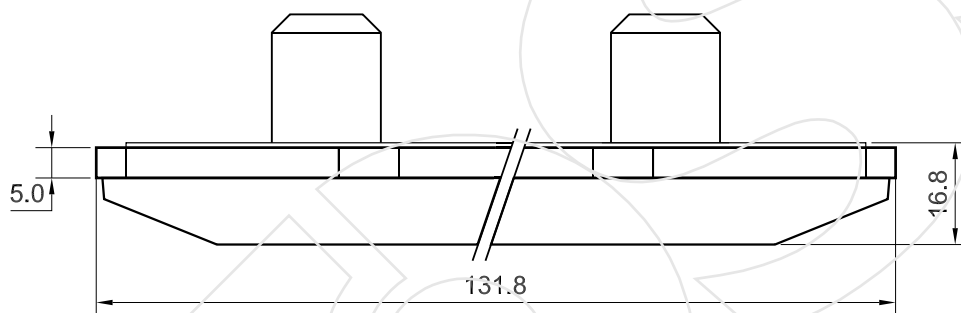
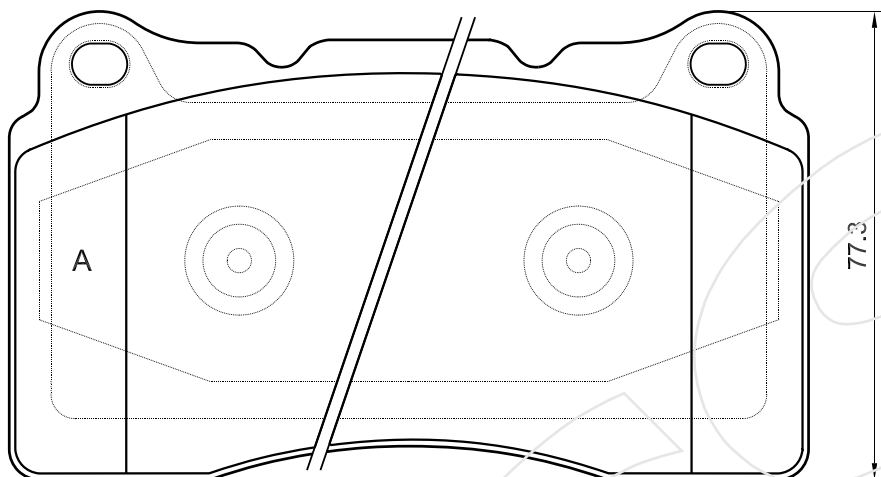
Reference in this Catalogue to other manufactures and to part numbers and other descriptions are for identification purposes only, because the above DISC BRAKE PADS are NOT ORIGINAL but with these interchangeable.

CODICE	IMPIANTO		ASSE	SCALA	APPLICAZIONI
<b>R-1598</b>	BOSCH		ANTERIORE	100%	FORD
CODICE COMPONENTI	N°	L(mm)	SERIE		
A0000+F0000	4+2	320	4 PEZZI		
*	*	*	*		
*	*	*	*		
*	*	*	*		
CODICE ACCESSORI	N°	L(mm)	NOTE		
*	*	*			
*	*	*			
*	*	*			
*	*	*			



Reference in this Catalogue to other manufactures and to part numbers and other descriptions are for identification purposes only, because the above DISC BRAKE PADS are NOT ORIGINAL but with these interchangeable.

CODICE	IMPIANTO		ASSE	SCALA	APPLICAZIONI
<b>R-1600</b>	BREMBO		ANTERIORE	80%	ALFA ROMEO
CODICE COMPONENTI	N°	L(mm)	SERIE		
KIT 375 A	1	*	2 PEZZI TIPO A		
KIT 375 B+F3019	1+2	155	2 PEZZI TIPO B		
*	*	*	*		
*	*	*	*		
CODICE ACCESSORI	N°	L(mm)	NOTE		
*	*	*			
*	*	*			
*	*	*			
*	*	*			



Reference in this Catalogue to other manufactures and to part numbers and other descriptions are for identification purposes only, because the above DISC BRAKE PADS are NOT ORIGINAL but with these interchangeable.